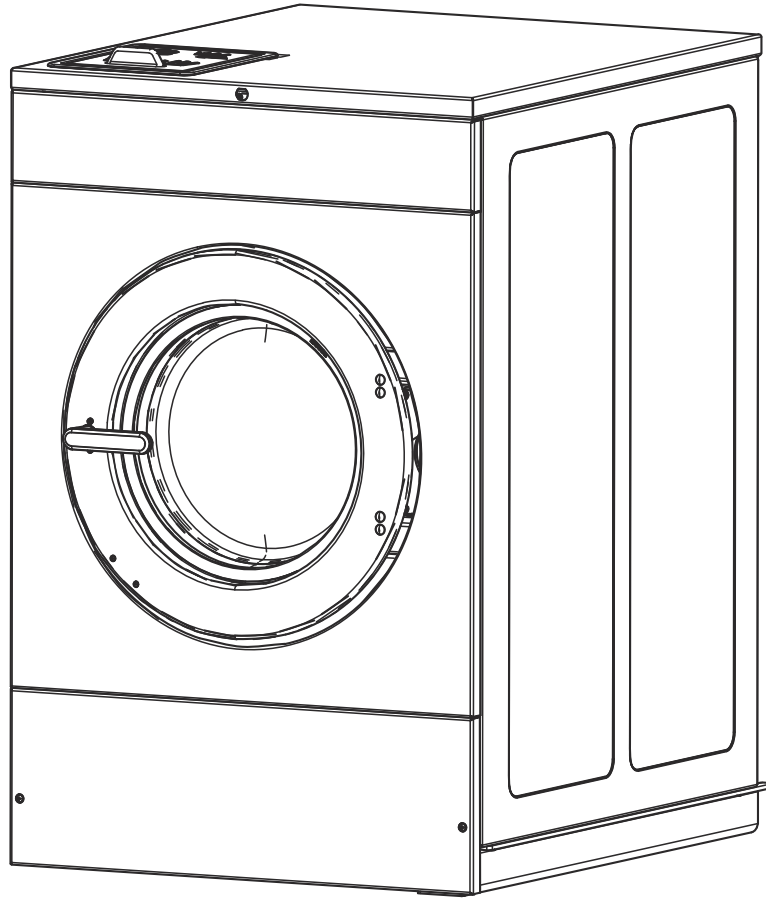


Washer-Extractor

Cabinet Hardmount

Design 4, 6 and 7

Refer to Page 5 for Model Numbers



C-CHM2C3_F8668601

Table of Contents

Title	Page
Parts Ordering Information.....	3
Serial Plate Location	3
Model Identification	5
Product Overview - Quantum Gold Vend	6
Labels	8
Control Module and Front Tray Assembly - Coin Models	10
Control Module and Front Tray Assembly - Card Reader and Central Pay Models	12
Control Tray Assembly.....	14
Flush Mount Coin Meter Assembly - Single Drop	16
Flush Mount Coin Meter Assembly - Dual Drop.....	18
Electronic Coin Meter Assembly	20
Optional Coin Box.....	22
Inverter Drive Box - 20 and 30 Pound Models with B Voltage	24
Inverter Drive Box - 20 and 30 Pound Models with N, P, Q, W, X and Y Voltage.....	26
Inverter Drive Box - 40 Pound Models with B Voltage	28
Inverter Drive Box - 40 Pound Models with N, P, Q, W, X and Y Voltage.....	30
Inverter Drive Box - 60 Pound Models with Q and X Voltage	32
Inverter Drive Box - 60 Pound Models with N and P Voltage.....	34
External Supply Kit.....	36
Inverter Drive	38
Front Panels and Control Panel - SC Coin Models - Design 4	40
Front Panels and Control Panel - SC Coin Models - Design 6	42
Front Panels and Control Panel - SC Coin Models - Design 7	44
Front Panels and Control Panel - JC Coin Models	46
Front Panels and Control Panel - Card Reader and Central Pay Models - Design 4	48
Front Panels and Control Panel - Card Reader and Central Pay Models - Design 6	50
Front Panels and Control Panel - Card Reader and Central Pay Models - Design 7	52
Rear and Top Panels	54
Side Panels.....	56
Door - 20 Pound Models	58
Door - 30 Pound Models	60
Door - 40 and 60 Pound Models	62
Door Lock.....	64
Shell Front, Basket, Shell and Frame Template	66
Bearing Housing	68
Drain Plumbing	70
Pump Drain Plumbing - 20, 30 and 40 Pound Models.....	72
Fill Plumbing - 20 Pound Models	74
Fill Plumbing - 30 Pound Models	76
Fill Plumbing - 40 Pound Models	78
Fill Plumbing - 60 Pound Models	80

© Copyright 2022, Alliance Laundry Systems LLC

All rights reserved. No part of the contents of this book may be reproduced or transmitted in any form or by any means without the expressed written consent of the publisher.

Motor, Pulley and Belt - 20 and 30 Pound Models.....	82
Motor, Pulley and Belt - 40 and 60 Pound Models.....	84
Electric Heating.....	86
Steam Heating - 40 and 60 Pound Models.....	88
Special Tools and Kits.....	90
Parts Index.....	93

Parts Ordering Information

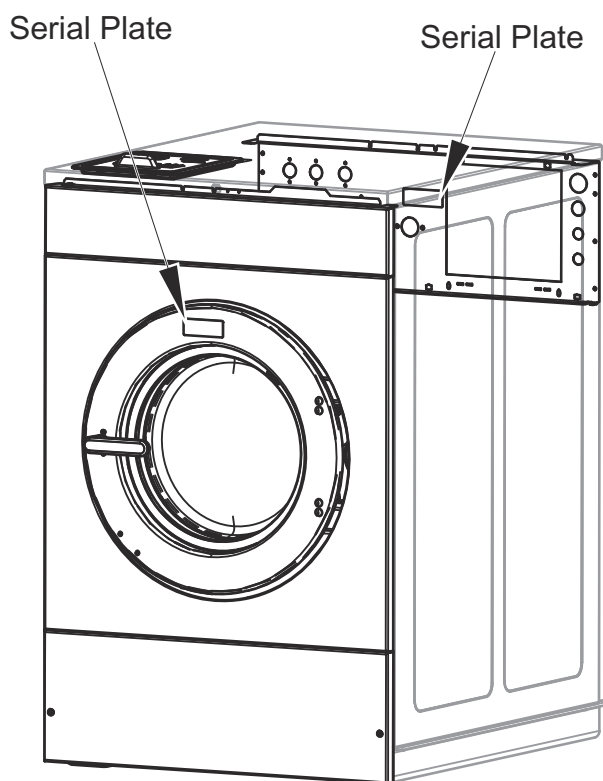
If literature or replacement parts are required, contact the source from whom the machine was purchased or contact Alliance Laundry Systems at (920) 748-3950 for the name and address of the nearest authorized parts distributor.

For technical assistance, call the number listed below:

(920) 748-3121 Ripon, Wisconsin

Serial Plate Location

When calling or writing about your product, be sure to mention model and serial numbers. Model and serial numbers are located on serial plate(s) as shown.



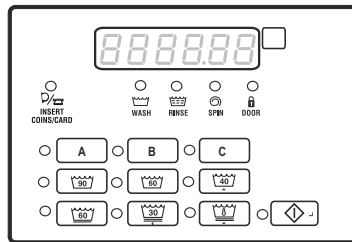
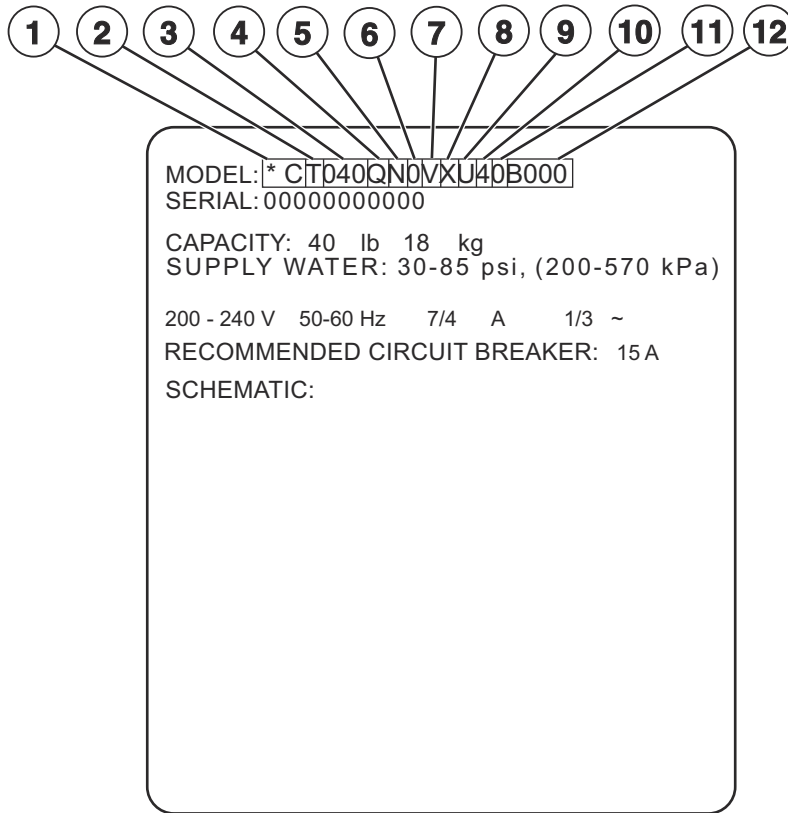
C-CHM2C2_F8668601

Model Identification

Information in this manual is applicable to these washer-extractor models:

JCE020NC	SCD020NC	SCE020NC	SCG020NC	SCU020NC
JCE020ND	SCD020ND	SCE020ND	SCG020ND	SCU020ND
JCE020NE	SCD020NE	SCE020NE	SCG020NE	SCU020NE
JCE020NF	SCD020NF	SCE020NF	SCG020NF	SCU020NF
JCE020NH	SCD020NH	SCE020NH	SCG020NH	SCU020NH
JCE020NL	SCD020NL	SCE020NL	SCG020NL	SCU020NL
JCE020NQ	SCD020NQ	SCE020NQ	SCG020NQ	SCU020NQ
JCE020NT	SCD020NT	SCE020NT	SCG020NT	SCU020NT
JCE020NV	SCD020NV	SCE020NV	SCG020NV	SCU020NV
JCE020NX	SCD020NX	SCE020NX	SCG020NX	SCU020NX
JCE020NY	SCD020NY	SCE020NY	SCG020NY	SCU020NY
JCE030NC	SCD030NC	SCE030NC	SCG030NC	SCU030NC
JCE030ND	SCD030ND	SCE030ND	SCG030ND	SCU030ND
JCE030NE	SCD030NE	SCE030NE	SCG030NE	SCU030NE
JCE030NF	SCD030NF	SCE030NF	SCG030NF	SCU030NF
JCE030NH	SCD030NH	SCE030NH	SCG030NH	SCU030NH
JCE030NL	SCD030NL	SCE030NL	SCG030NL	SCU030NL
JCE030NQ	SCD030NQ	SCE030NQ	SCG030NQ	SCU030NQ
JCE030NT	SCD030NT	SCE030NT	SCG030NT	SCU030NT
JCE030NV	SCD030NV	SCE030NV	SCG030NV	SCU030NV
JCE030NX	SCD030NX	SCE030NX	SCG030NX	SCU030NX
JCE030NY	SCD030NY	SCE030NY	SCG030NY	SCU030NY
JCE040NC	SCD040NC	SCE040NC	SCG040NC	SCU040NC
JCE040ND	SCD040ND	SCE040ND	SCG040ND	SCU040ND
JCE040NE	SCD040NE	SCE040NE	SCG040NE	SCU040NE
JCE040NF	SCD040NF	SCE040NF	SCG040NF	SCU040NF
JCE040NH	SCD040NH	SCE040NH	SCG040NH	SCU040NH
JCE040NL	SCD040NL	SCE040NL	SCG040NL	SCU040NL
JCE040NQ	SCD040NQ	SCE040NQ	SCG040NQ	SCU040NQ
JCE040NT	SCD040NT	SCE040NT	SCG040NT	SCU040NT
JCE040NV	SCD040NV	SCE040NV	SCG040NV	SCU040NV
JCE040NX	SCD040NX	SCE040NX	SCG040NX	SCU040NX
JCE040NY	SCD040NY	SCE040NY	SCG040NY	SCU040NY
		SCE060NC	SCG060NC	SCU060NC
		SCE060ND	SCG060ND	SCU060ND
		SCE060NE	SCG060NE	SCU060NE
		SCE060NF	SCG060NF	SCU060NF
		SCE060NH	SCG060NH	SCU060NH
		SCE060NL	SCG060NL	SCU060NL
		SCE060NQ	SCG060NQ	SCU060NQ
		SCE060NT	SCG060NT	SCU060NT
		SCE060NV	SCG060NV	SCU060NV
		SCE060NX	SCG060NX	SCU060NX
		SCE060NY	SCG060NY	SCU060NY

Product Overview - Quantum Gold Vend



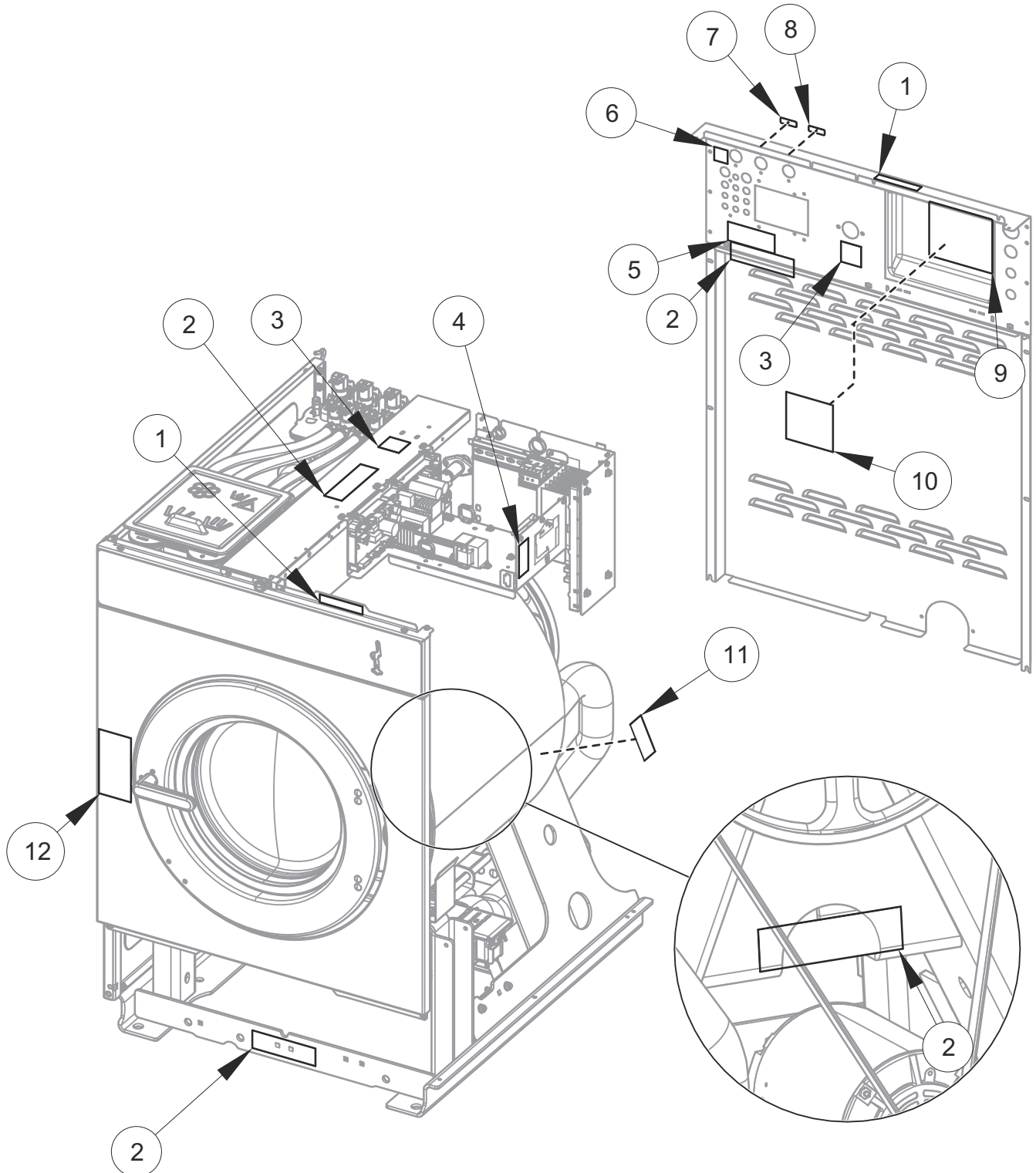
Quantum Gold Vend

CHM3498P_F8668601

Product Overview - Quantum Gold Vend

REF	PART NO.	DESCRIPTION	COMMENTS
1	-	Product Family	JC SC
2	-	Market Approvals	A (Australia IEC) D (Brazil IEC) G (International) H (China-ROHS IEC) J (Japan-PSE IEC) K (Korea IEC) L (Thailand-TISImIEC) T (North America) U (International CE/EAC IEC)
3	-	Capacity (Dry Weight in Pounds)	020 030 040 060
4	-	Control	N
5	-	Actuation	L (Central Pay) X (Prep for Coin) Y (Prep for Card) C (Single Coin) D (Dual Coin) E (Electronic Drop) T (Token) F (Single Coin + CD Lock and Key) Q (Dual Coin + CD Lock and Key) H (Electronic Drop + CD Lock and Key) V (Token + CD Lock and Key)
6	-	Coin Meter	0 (Standard) 1 (CD Lock and Key)
7	-	Speed	F (F-Speed) V (V-Speed)
8	-	Voltage	B (120/60/1) W (200-240/50/1/3) Y (200-240/60/1/3) X (200-240/50-60/1/3) Q (200-240/50-60/3) P (380-415/50-60/3) N (440-480/50-60/3)
9	-	Panel	B (Chrome Door) C (Chrome Door) U (Vinyl) 1 (Stainless Steel Side)
10	-	Design	4 6 7
11	-	Heat	0 (Standard) D (Steam) E (Electric Heat) P (Prep for Steam)
12	-	Features and Options	

Labels

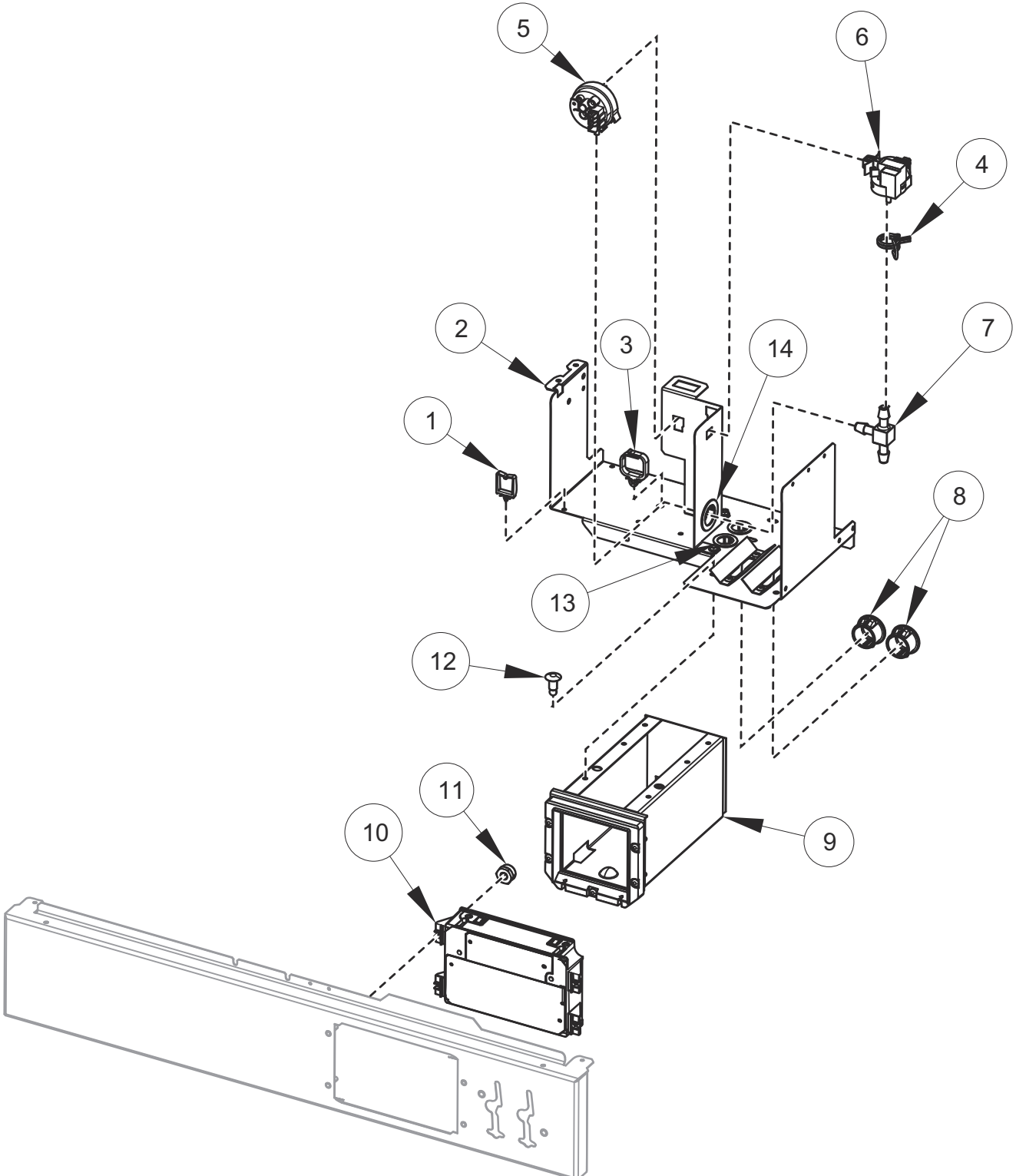


C-CHM2P27_F8668601

Labels

REF	PART NO.	DESCRIPTION	COMMENTS
1	F8614501	Danger Label	English/Quebec/French
2	44324001	Warning Label	Pinch/Shock; English/French
	F8614201	Shock Warning Label	Icon
	F8615701	Pinch Warning Label	Icon
3	F8614301	Hot Surface Warning Label	English/Quebec/French
	F8609001	Hot Surface Warning Label	Icon
4	F8601301	Label	Warning; Underground components
5	F8609401	Label	Notice; Chemical connection
6	203853	Label	ROHS (China)
7	F8611301	Label	Hot water; Icon
8	F8611401	Label	Cold water; Icon
9	F8611601	Warning Label	Warning; English/Quebec/French
10	F8602401	Label	Notice; Large expansion board
11	70538401	Pinch Warning Label	English/French
	F8615701	Pinch Warning Label	Icon
12	F8614801	Label	Warning fire/injury; English/Quebec/French

Control Module and Front Tray Assembly - Coin Models

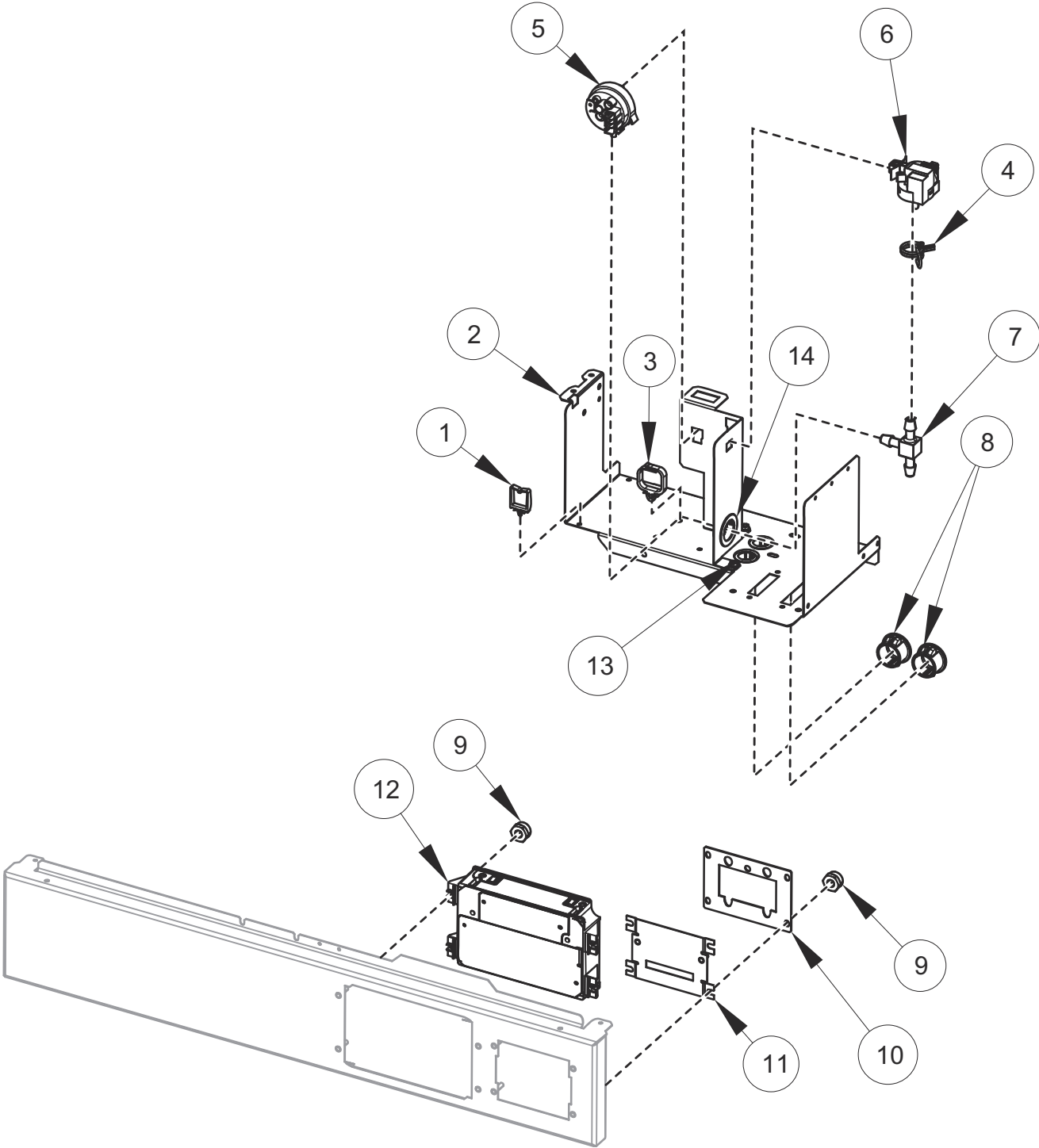


C-CHM5P1_F8668601

Control Module and Front Tray Assembly - Coin Models

REF	PART NO.	DESCRIPTION	COMMENTS
	44374701	App Pay Overlay Kit	
	203361P	Machine ID Control Assembly	
	F8567301	Front Tray Assembly	20 pound models; Includes items 1-3, 6, 8, 9, 12-14, 70413301 Pushbutton Switch and F8519701 Coin Vault Harness
	F8567304	Front Tray Assembly	20 pound models; Steam or electric heat; Includes items 1-9, 12-14, 70413301 Pushbutton Switch and F8519701 Coin Vault Harness
	F8567302	Front Tray Assembly	30 pound models; Includes items 1-3, 6, 8, 9, 12-14, 70413301 Pushbutton Switch and F8519701 Coin Vault Harness
	F8567305	Front Tray Assembly	30 pound models; Steam or electric heat; Includes items 1-9, 12-14, 70413301 Pushbutton Switch and F8519701 Coin Vault Harness
	F8567303	Front Tray Assembly	40 and 60 pound models; Includes items 1-3, 6, 8, 9, 12-14, 70413301 Pushbutton Switch and F8519701 Coin Vault Harness
	F8567306	Front Tray Assembly	40 and 60 pound models; Steam or electric heat; Includes items 1-9, 12-14, 70413301 Pushbutton Switch and F8519701 Coin Vault Harness
	F8519701	Coin Vault Harness	
	F8519301	Harness	Tray power harness
	F8519501	Harness	Communication; 20 and 30 pound models
	F8519502	Harness	Communication; 40 and 60 pound models
	F8519601	Harness	Coin access
	F8519403	Emergency Stop Bypass Harness	
1	70366201	Wire Clip	
2	F8531001	Front Tray Assembly	
3	F8449501	Wire Clip	
4	39282	Hose Clamp	
5	F8609101	Water Level Pressure Switch	Steam or electric heat
	F8405303	Tubing	Electric heat
6	F8623401	Pressure Sensor	
	F8405302	Tubing	Electric heat
7	203464	Barbed Tee	Steam or electric heat
8	M411826	Snap Bushing	
9	F8529101	Coin Vault Assembly	
10	F8494001	Control Assembly	JC models
	F8493901P	Control Assembly	SC models
11	685846	Nut	
12	70058501	Pop Rivet	
13	F140938	Snap Bushing	
14	M402542	Snap Bushing	

Control Module and Front Tray Assembly - Card Reader and Central Pay Models

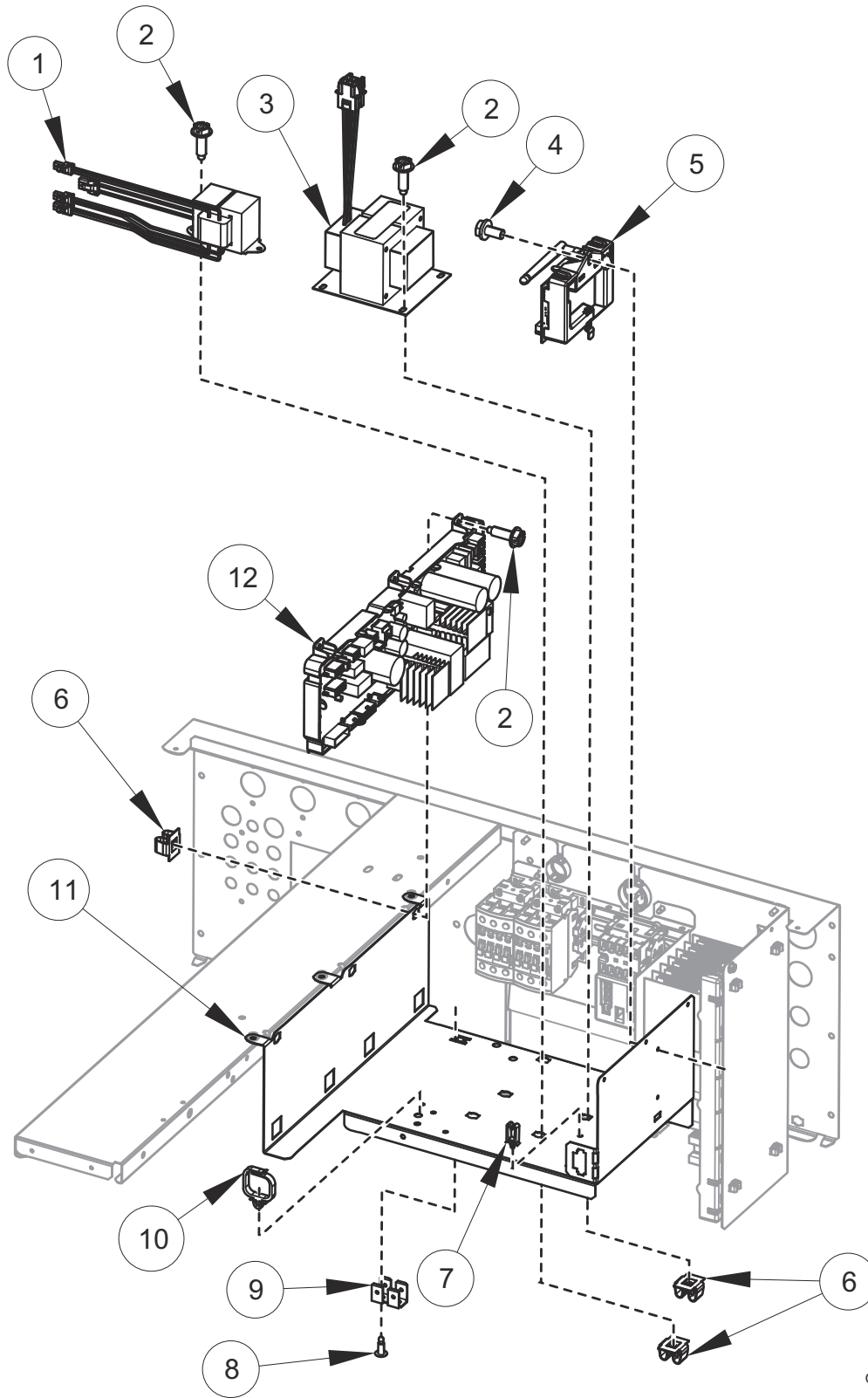


C-CHM5P3_F8668601

Control Module and Front Tray Assembly - Card Reader and Central Pay Models

REF	PART NO.	DESCRIPTION	COMMENTS
	44374701	App Pay Overlay Kit	
	203361P	Machine ID Control Assembly	
	F8567307	Front Tray Assembly	20 pound models; Includes items 1-3, 6, 8, 13, 14, 70413301 Pushbutton Switch
	F8567310	Front Tray Assembly	20 pound models; Steam or electric heat; Includes items 1-8, 13, 14, and 70413301 Pushbutton Switch
	F8567308	Front Tray Assembly	30 pound models; Includes items 1-3, 6, 8, 13, 14, 70413301 Pushbutton Switch
	F8567311	Front Tray Assembly	30 pound models; Steam or electric heat; Includes items 1-8, 13, 14, and 70413301 Pushbutton Switch
	F8567309	Front Tray Assembly	40 and 60 pound models; Includes items 1-3, 6, 8, 13, 14, 70413301 Pushbutton Switch
	F8567312	Front Tray Assembly	40 and 60 pound models; Steam or electric heat; Includes items 1-8, 13, 14, and 70413301 Pushbutton Switch
	44342801	Central Pay Harness	Models through December 2018
	F8519301	Harness	Tray power harness
	F8519501	Harness	Communication; 20 and 30 pound models
	F8519502	Harness	Communication; 40 and 60 pound models
	F8519702	Coin Vault Bypass Harness	
	F8519601	Harness	Coin access
	F8519403	Emergency Stop Bypass Harness	
	205069	Payment Center Kit	Includes printer
	205070	Payment Center Kit	
1	70366201	Wire Clip	
2	F8531001	Front Tray Assembly	
3	F8449501	Wire Clip	
4	39282	Hose Clamp	
5	F8609101	Water Level Pressure Switch	Steam or electric heat
	F8405303	Tubing	Electric heat
6	F8623401	Pressure Sensor	
	F8405302	Tubing	Electric heat
7	203464	Barbed Tee	Steam or electric heat
8	M411826	Snap Bushing	
9	685846	Nut	
10	70208801	Mounting Plate	
11	F8201501	Card Plate Assembly	
12	F8493901P	Control Assembly	
13	F140938	Snap Bushing	
14	M402542	Snap Bushing	

Control Tray Assembly

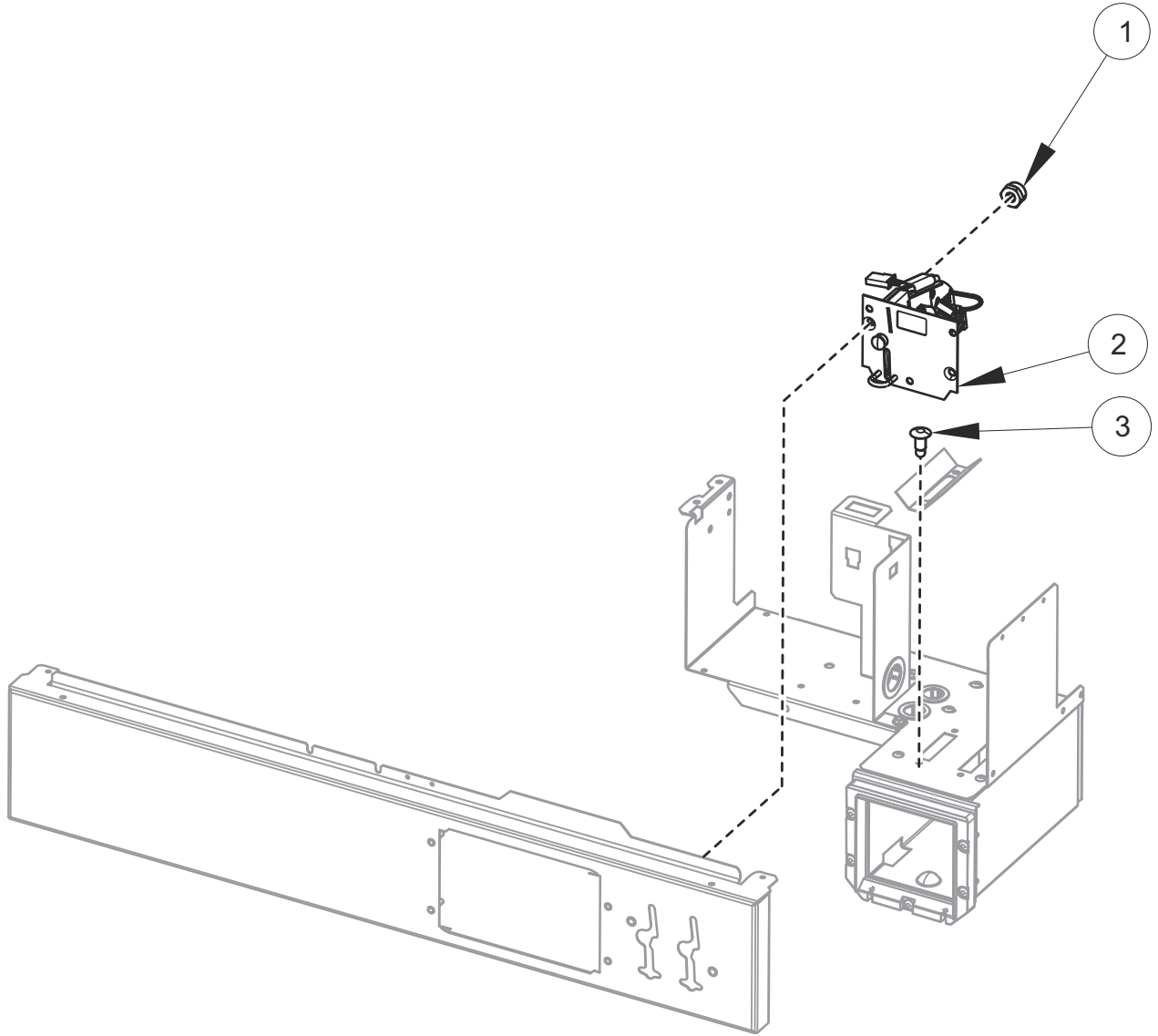


C-CHM5P2_F8668601

Control Tray Assembly

REF	PART NO.	DESCRIPTION	COMMENTS
	NK330	USB Gateway Kit	Wireless; SC models through April 2019
	NK320	Ethernet Gateway Kit	Wireless; SC models starting May 2019
	204145P	Gateway	SC models starting May 2019
	205223P	Gateway	
	205391P	Gateway	
	F8520403	Wireless Harness	20 and 30 pound SC models through April 2019
	F8674003	Wireless Harness	20 and 30 pound SC models starting May 2019
	F8520404	Wireless Harness	40 and 60 pound SC models through April 2019
	F8674004	Wireless Harness	40 and 60 pound SC models starting May 2019
	F8662401	Wireless Kit	20 and 30 pound SC models through April 2019; Includes items 4, 5, F8520403 Wireless Harness and labels
	F8676001	Wireless Kit	20 and 30 pound SC models starting May 2019; Includes items 4, 5, F8674003 Wireless Harness and labels
	F8662402	Wireless Kit	40 and 60 pound SC models through April 2019; Includes items 4, 5, F8520404 Wireless Harness and labels
	F8676101	Wireless Kit	40 and 60 pound SC models starting May 2019; Includes items 4, 5, F8674004 Wireless Harness and labels
1	202757	Transformer	B voltage with external supply
	202758	Transformer	N, P, Q, W, X and Y voltage with external supply
2	F8206901	Screw	
3	F8491101	Transformer	N and P voltage
4	430497	Screw	
5	203532	Wireless Network Control Assembly	SC models through April 2019
	807211	Wireless Network Control Assembly	SC models starting May 2019
6	70030501	Expansion Clip	
7	70347601	Wire Clip	External supply
8	M400003	Pop Rivet	
9	00622SG	Terminal	
10	F8449501	Wire Clip	
11	F8530701	Control Tray	
12	F8494101P	Input and Output Control Assembly	

Flush Mount Coin Meter Assembly - Single Drop

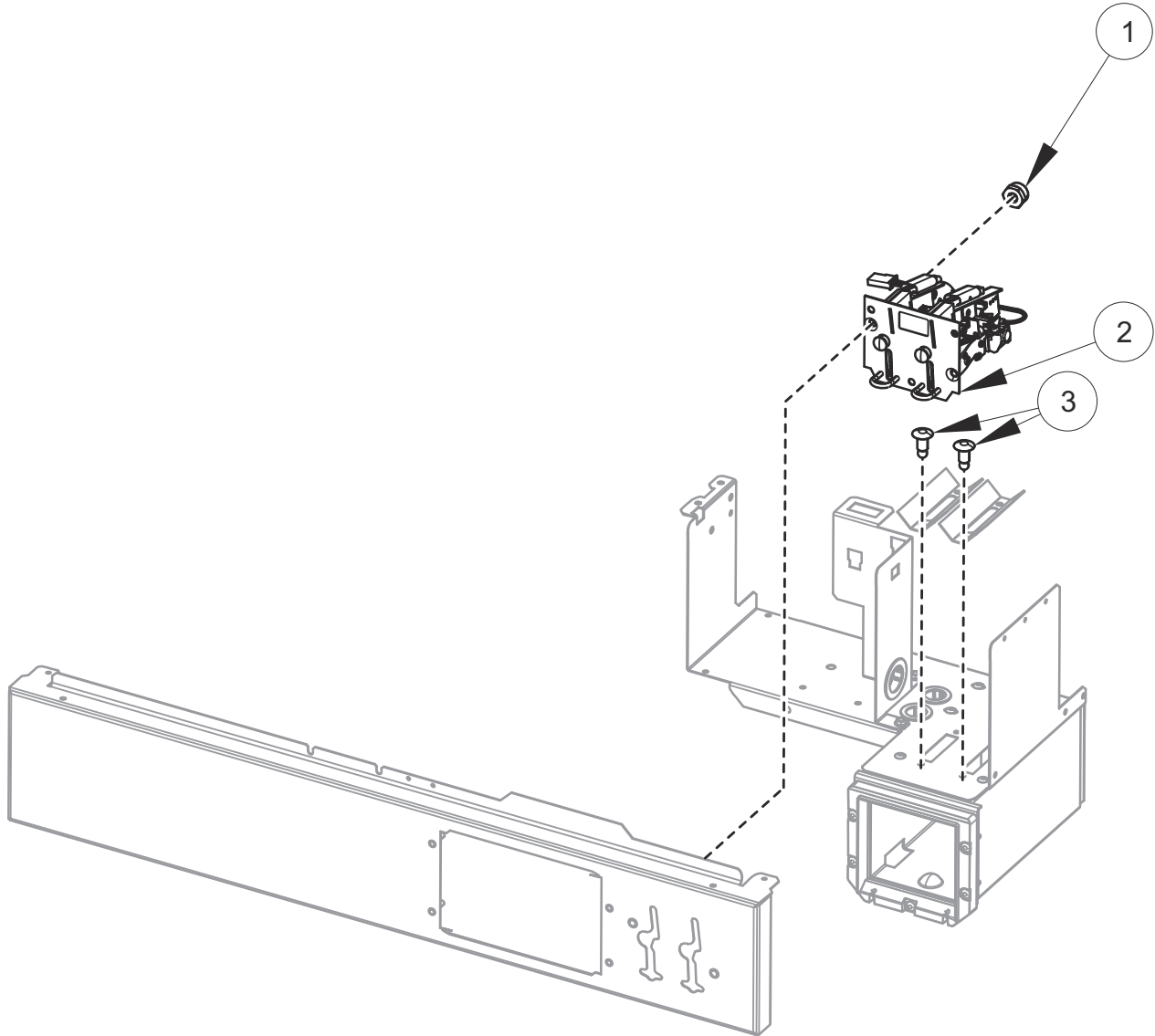


C-CHM6P7_F8668601

Flush Mount Coin Meter Assembly - Single Drop

REF	PART NO.	DESCRIPTION	COMMENTS
	44374701	App Pay Overlay Kit	
	38725	Coin Identification Paper	
	200674P	Opto Coupler	
1	685846	Nut	
2	70441601P	Coin Drop	U.S.A.; \$.25
	38475	Coin Drop Assembly	Japan; 100 yen
	38464P	Coin Drop Assembly	Canada; .25
	CK077	Coin Drop Kit	Taiwan; 10 NT
	70506901	Coin Drop Assembly	Singapore; \$1.00 NEW
	38462P	Coin Drop Assembly	Token; STD 118-1
	38463	Coin Drop Assembly	Token; STD 118-5
	38963P	Coin Drop	Token STD 118-16
	39748	Coin Drop	Jeton 08MS
	201141	Coin Drop Assembly	Token; Jeton wh121
	70471601	Coin Drop Assembly	Token; 7K
3	70058501	Pop Rivet	

Flush Mount Coin Meter Assembly - Dual Drop

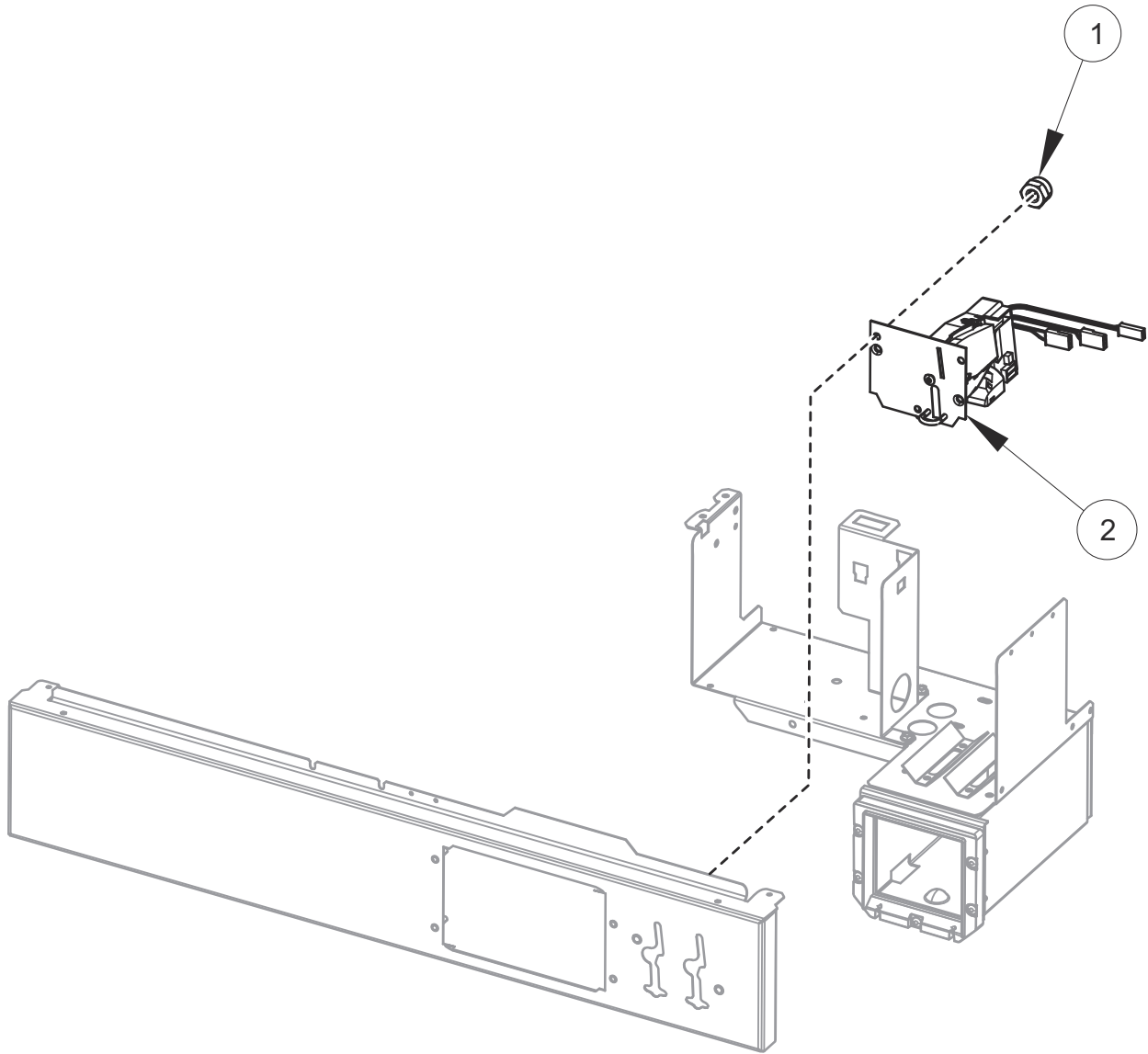


C-CHM6P8_F8668601

Flush Mount Coin Meter Assembly - Dual Drop

REF	PART NO.	DESCRIPTION	COMMENTS
	44374701	App Pay Overlay Kit	
	38725	Coin Identification Paper	
	200674P	Opto Coupler	
1	685846	Nut	
2	70441603	Coin Drop	U.S.A.; \$.25 and \$1.00
	38519	Coin Drop Assembly	Japan; 100 yen and 500 yen
	70441602	Coin Drop Assembly	Canada; .25 and \$1.00
	38467	Coin Drop Assembly	Australia; \$0.20 and \$1.00
	70447301	Coin Drop Assembly	Australia; \$1.00 and \$2.00
	70283102	Coin Drop Assembly	0.20 and 0.50 Euro
	210195	Coin Drop Assembly	0.20 and 1.00 Euro
	210196	Coin Drop Assembly	0.50 and 1.00 Euro
	F0160737-00	Coin Meter	0.50 and 2.00 Euro
	70281102	Coin Drop Assembly	Taiwan; 10 and 50 NT
	70482401	Coin Drop Assembly	New Zealand; \$1.00 and \$2.00
	CK503	Coin Drop Kit	U.S.A. and Canada; \$.25 and \$1.00
3	70058501	Pop Rivet	

Electronic Coin Meter Assembly

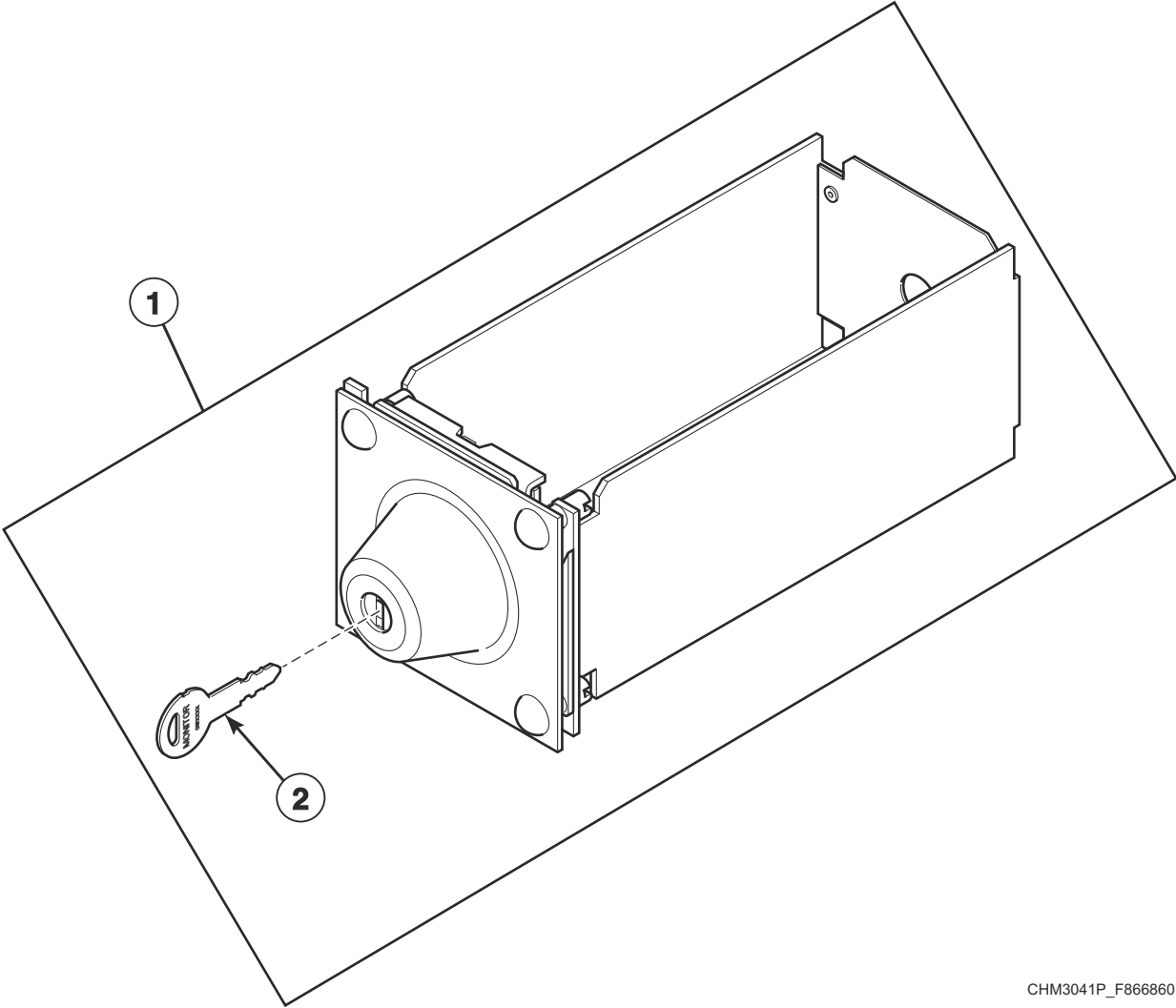


C-CHM6P6_F8668601

Electronic Coin Meter Assembly

REF	PART NO.	DESCRIPTION	COMMENTS
	44374701	App Pay Overlay Kit	
	38725	Coin Identification Paper	
	CK500	Electronic Coin Drop Kit	For use when installing Electronic Coin Drop Kits
	F8034701P	Pulse Expander Assembly	
1	F430215	Nut	
2	70513302	Electronic Coin Drop Assembly	Euro and Great Britain coins
	70513310	Electronic Coin Drop Assembly	Japan and Thailand coins
	70513304	Electronic Coin Drop Assembly	Australia, New Zealand, Hong Kong and South Korea coins
	70513303	Electronic Coin Drop Assembly	Denmark, Norway and Euro coins
	70513306	Electronic Coin Drop Assembly	Mexico, Ecuador and U.S.A. coins
	70294107	Electronic Coin Drop Assembly	Lithuania, Latvia and Euro coins
	70513311	Electronic Coin Drop Assembly	Chiand Malaysia coins
	70513308	Electronic Coin Drop Assembly	South African 1 and 5 rand coins
	70513309	Electronic Coin Drop Assembly	Euro coins
	70513312	Electronic Coin Drop Assembly	Russia coins
	70513313	Electronic Coin Drop Assembly	Philippines coins
	70513314	Electronic Coin Drop Assembly	Thailand coins
	70513315	Electronic Coin Drop Assembly	Chile coins
	70513316	Electronic Coin Drop Assembly	Singapore coins
	CK115	Electronic Coin Drop Kit	United States and Canada; Includes 38725 Coin Identification Paper
	CK099	Electronic Coin Drop Kit	Australia (default), New Zealand, Hong Kong, South Korea and Malaysia; Includes 38725 Coin Identification Paper
	CK100	Electronic Coin Drop Kit	United Kingdom (default) and Europe; Includes 38725 Coin Identification Paper
	CK101	Electronic Coin Drop Kit	Europe (default), Denmark and Norway; Includes 38725 Coin Identification Paper
	CK108	Electronic Coin Drop Kit	South Africa; Includes 38725 Coin Identification Paper
	CK109	Electronic Coin Drop Kit	Euro; Includes 38725 Coin Identification Paper
	CK110	Electronic Coin Drop Kit	Mexico (default), Ecuador and United States; Includes 38725 Coin Identification Paper
	CK113	Electronic Coin Drop Kit	Japan and Taiwan; Includes 38725 Coin Identification Paper
	CK116	Electronic Coin Drop Kit	Malaysia (default) and China; Includes 38725 Coin Identification Paper
	CK117	Electronic Coin Drop Kit	Russia; Includes 38725 Coin Identification Paper
	CK118	Electronic Coin Drop Kit	Philippine; Includes 38725 Coin Identification Paper
	CK119	Electronic Coin Drop Kit	Thailand; Includes 38725 Coin Identification Paper
	CK120	Electronic Coin Drop Kit	Chile; Includes 38725 Coin Identification Paper
	CK121	Electronic Coin Drop Kit	Singapore; Includes 38725 Coin Identification Paper
	CK122	Coin Drop Kit	New Zealand; 1.00 and 2.00; Includes 38725 Coin Identification Paper

Optional Coin Box

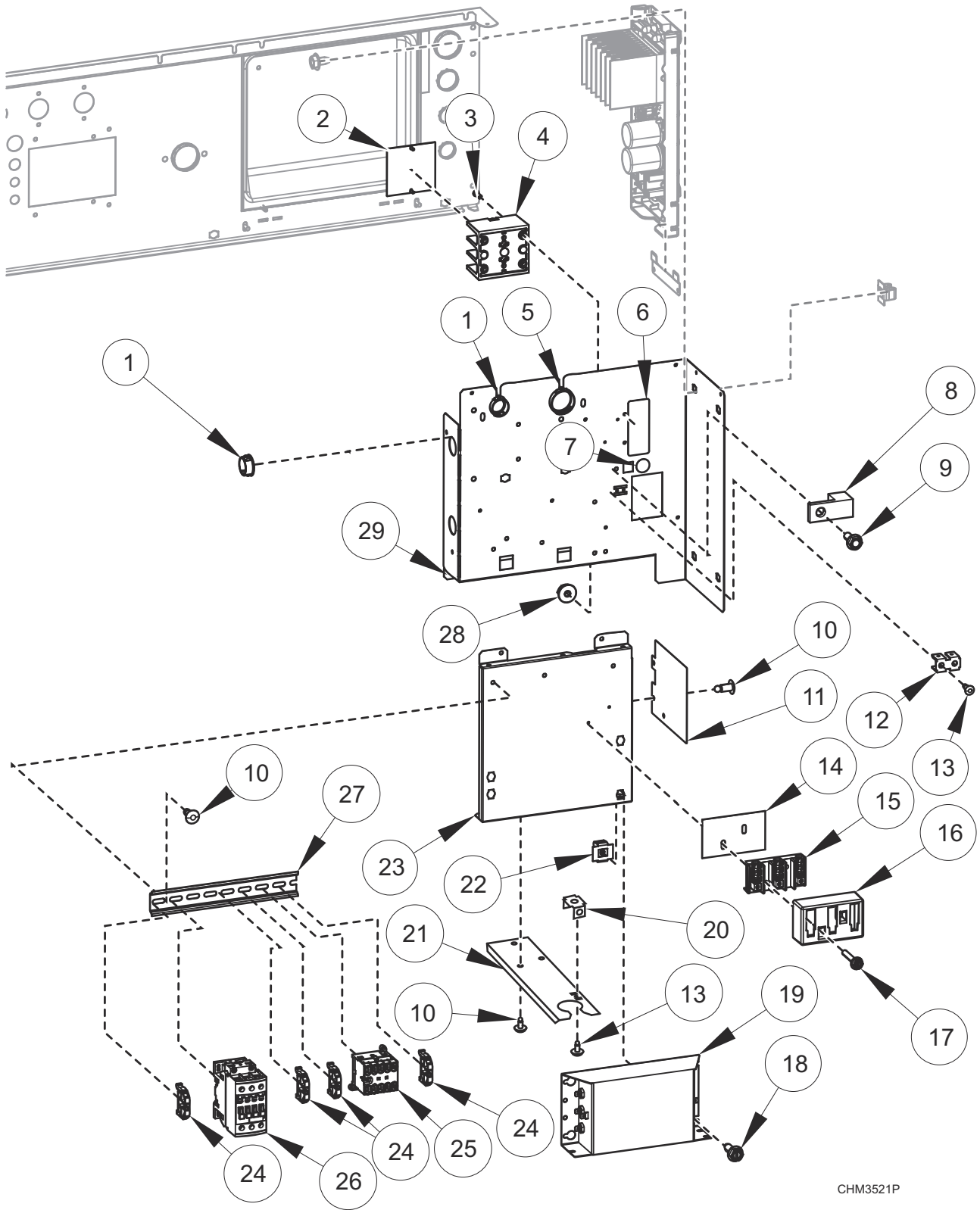


CHM3041P_F8668601

Optional Coin Box

REF	PART NO.	DESCRIPTION	COMMENTS
1	F8182001	Coin Drawer Assembly	
2	F160420	Key	GW0023

Inverter Drive Box - 20 and 30 Pound Models with B Voltage

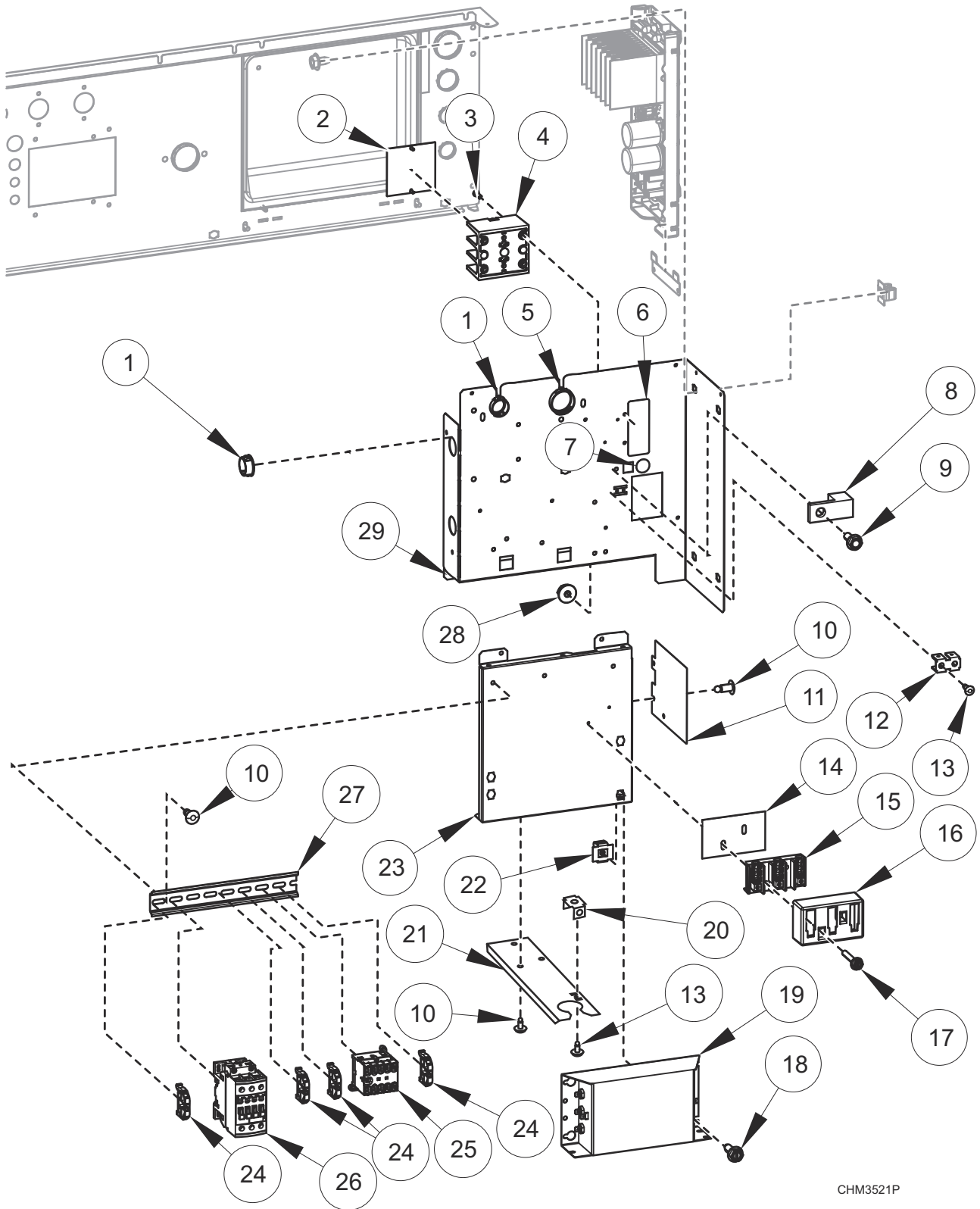


CHM3521P

Inverter Drive Box - 20 and 30 Pound Models with B Voltage

REF	PART NO.	DESCRIPTION	COMMENTS
	F8567001	Drive Panel Base Assembly	Includes items 10-13, 21, 25 and 27
	F8662801	Filter Kit	Includes items 1, 14-20, harnesses and labels
	F8518405	Harness	Power TB1
	F8518604	Harness	Power drive
	F8528001	Harness	TB filter
	F8528002	Harness	PDB filter; Electric heat
	F8528004	Harness	TB Filter
	F8528006	Harness	TB2 Filter
	F8619101	Power Harness	Power contactor; Electric heat
	F8619102	Harness	Power contactor; Electric heat
1	F140938	Snap Bushing	
2	44014901P	Power Distribution Block Cover	Electric heat
3	39733	Screw	Electric heat
4	M413865	Power Distribution Block	Electric heat
5	70346501	Bushing	
6	44286801	Label	Power input; L1, N
7	D516100	Label	
8	M411283	Ground Lug Connector	
9	685837	Screw	
10	70058501	Pop Rivet	
11	F8616901	Drive Shield	
12	00622SG	Terminal	
13	M400003	Pop Rivet	
14	M413862	Insulator	
15	430642	Terminal Block	
16	70333001	Terminal Block Shield	
17	51783	Screw	
18	F8206901	Screw	
19	F8591601	EMI Filter	
20	00621SG	Male Tab Terminal	IEC models
21	F8744301	Harness Support Bracket	IEC models
22	70030501	Expansion Clip	
23	F8530901	Contactory Tray	
24	F8449801	End Stop	
25	70482601	Contactory	5.5kW/500V; 24VDC
26	70482701	Contactory	50A; 24VDC
27	M412689	DIN Rail	7.5 mm x 35 mm x 8.364 inch
28	44088001	Nut	
29	F8530801	Drive Terminal Tray	

Inverter Drive Box - 20 and 30 Pound Models with N, P, Q, W, X and Y Voltage

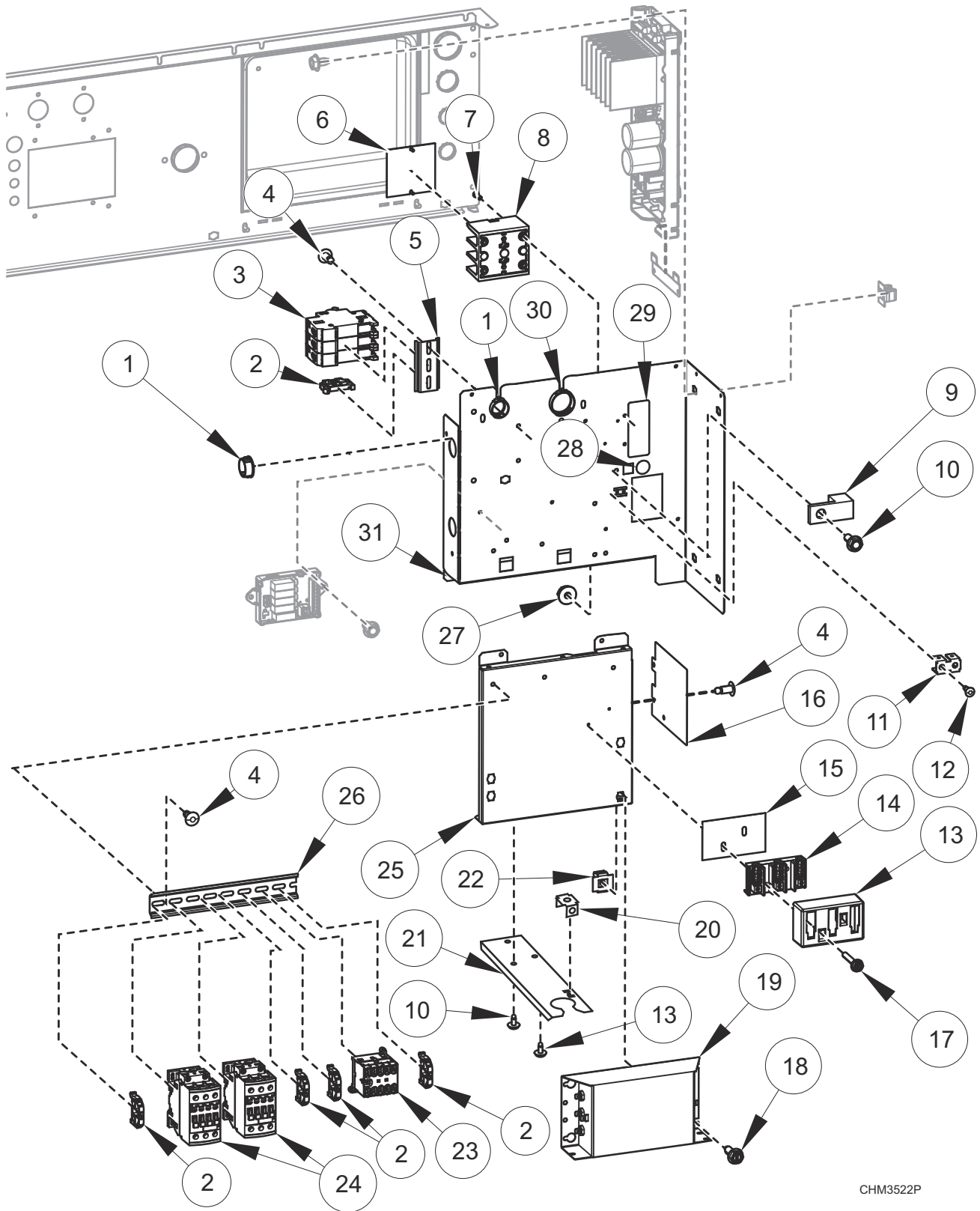


CHM3521P

Inverter Drive Box - 20 and 30 Pound Models with N, P, Q, W, X and Y Voltage

REF	PART NO.	DESCRIPTION	COMMENTS
	F8567001	Drive Panel Base Assembly	Includes items 10-13, 21, 25 and 27
	F8518401	Harness	Power TB1; W, X and Y voltage
	F8518501	Harness	Power TB1; N and P voltage
	F8518502	Harness	Power PDB; N and P voltage; Electric heat
	F8518402	Harness	Power PDB; Q voltage; Electric heat
	F8518404	Harness	Power filter; Q, W, X, and Y voltage
	F8518504	Harness	Power filter; N and P voltage
	F8518605	Harness	Power drive; Q, W, X, and Y voltage
	F8518606	Harness	Power drive; N and P voltage
	F8528001	Harness	TB filter
	F8528002	Harness	PDB filter; Electric heat
	F8528005	Harness	TB2 Filter; N, P, Q, W, X, and Y voltage
	F8619101	Power Harness	Power contactor; Electric heat
	F8619102	Harness	Power contactor; Electric heat
	F8662809	Filter Kit	Includes items 1, 14-20, harnesses and labels; Q voltage; Electric heat
	F8662810	Filter Kit	Includes items 1, 14-20, harnesses and labels; N and P voltage; Electric heat
	F8662803	Filter Kit	Includes items 1, 14-20, harnesses and labels; W, X and Y voltage
	F8662805	Filter Kit	Includes items 1, 14-20, harnesses and labels; N and P voltage
1	F140938	Snap Bushing	
2	44014901P	Power Distribution Block Cover	Electric heat
3	39733	Screw	Electric heat
4	M413865	Power Distribution Block	Electric heat
5	70346501	Bushing	
6	44286803	Label	Power input; L1, L2, L3; N and P voltage
	44286804	Wire Label	Power input; L1, L2/N; L1, L2, L3; W, X and Y voltage
7	D516100	Label	
8	M411283	Ground Lug Connector	
9	685837	Screw	
10	70058501	Pop Rivet	
11	F8616901	Drive Shield	
12	00622SG	Terminal	
13	M400003	Pop Rivet	
14	M413862	Insulator	
15	430642	Terminal Block	
16	70333001	Terminal Block Shield	
17	51783	Screw	
18	F8206901	Screw	
19	F8591801	EMI Filter	
	F8637501	EMI Filter	
20	00621SG	Male Tab Terminal	IEC models
21	F8744301	Harness Support Bracket	IEC models
22	70030501	Expansion Clip	
23	F8530901	Contactory Tray	
24	F8449801	End Stop	
25	70482601	Contactory	5.5kW/500V; 24VDC
26	70482701	Contactory	50A; 24VDC
27	M412689	DIN Rail	7.5 mm x 35 mm x 8.364 inch
28	44088001	Nut	
29	F8530801	Drive Terminal Tray	

Inverter Drive Box - 40 Pound Models with B Voltage

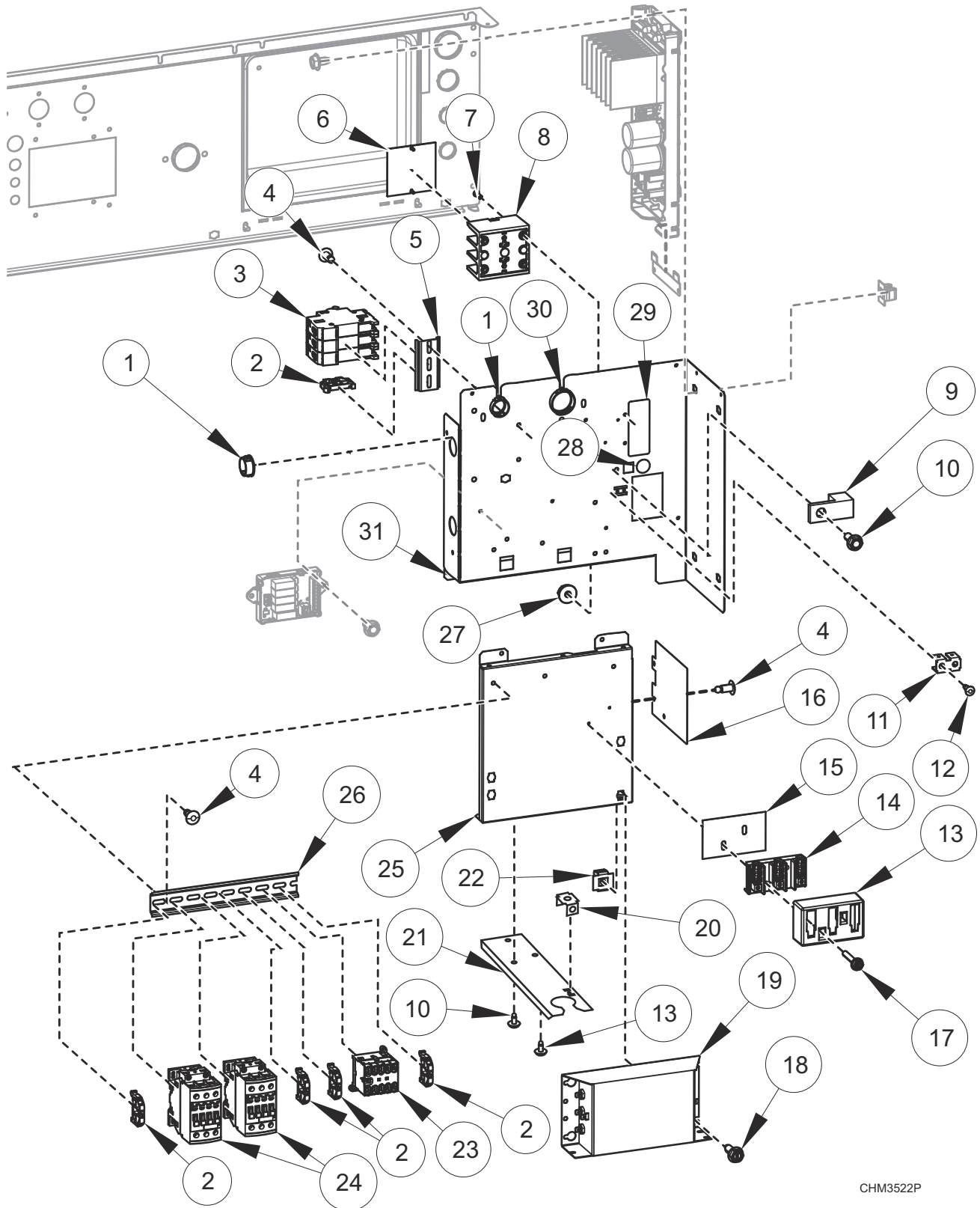


CHM3522P

Inverter Drive Box - 40 Pound Models with B Voltage

REF	PART NO.	DESCRIPTION	COMMENTS
	F8567001	Drive Panel Base Assembly	Includes items 4, 11, 12, 16, 23, 24 and 29
	F8567002	Drive Panel Base Assembly	Electric heat; Includes items 4, 5, 11, 12, 16, 23, 24 and 29
	F8583501	Jumper	Circuit breaker jumper; Electric heat
	F8518405	Harness	Power TB1
	F8518604	Harness	Power drive
	F8528001	Harness	TB filter
	F8528003	Harness	CB filter; Electric heat
	F8528004	Harness	TB filter
	F8528006	Harness	TB2 filter
	F8619101	Power Harness	Power contactor; Electric heat
	F8619102	Harness	Power contactor; Electric heat
	F8662802	Filter Kit	Includes items 1, 14, 15, 17-20, harnesses and labels; B voltage
1	F140938	Snap Bushing	
2	F8449801	End Stop	
3	70488101	Circuit Breaker	3P; 25A; Electric heat
4	70058501	Pop Rivet	
5	B12315401	DIN Rail	7.5 mm x 35 mm x 72 mm; Electric heat
6	44014901P	Power Distribution Block Cover	Electric heat
7	39733	Screw	Electric heat
8	M413865	Power Distribution Block	Electric heat
9	M411283	Ground Lug Connector	
10	685837	Screw	
11	00622SG	Terminal	
12	M400003	Pop Rivet	
13	70333001	Terminal Block Shield	
14	430642	Terminal Block	
15	M413862	Insulator	
16	F8616901	Drive Shield	
17	51783	Screw	
18	F8206901	Screw	
19	F8591601	EMI Filter	
20	00621SG	Male Tab Terminal	IEC models
21	F8744301	Harness Support Bracket	IEC models
22	70030501	Expansion Clip	
23	70482601	Contactors	5.5kW/500V; 24VDC; Electric heat
24	70482701	Contactors	50A; 24VDC
25	F8530901	Contactors Tray	
26	M412689	DIN Rail	7.5 mm x 35 mm x 8.364 inch
27	44088001	Nut	
28	D516100	Label	
29	44286801	Label	Power input; L1, N
30	70346501	Bushing	
31	F8530801	Drive Terminal Tray	

Inverter Drive Box - 40 Pound Models with N, P, Q, W, X and Y Voltage

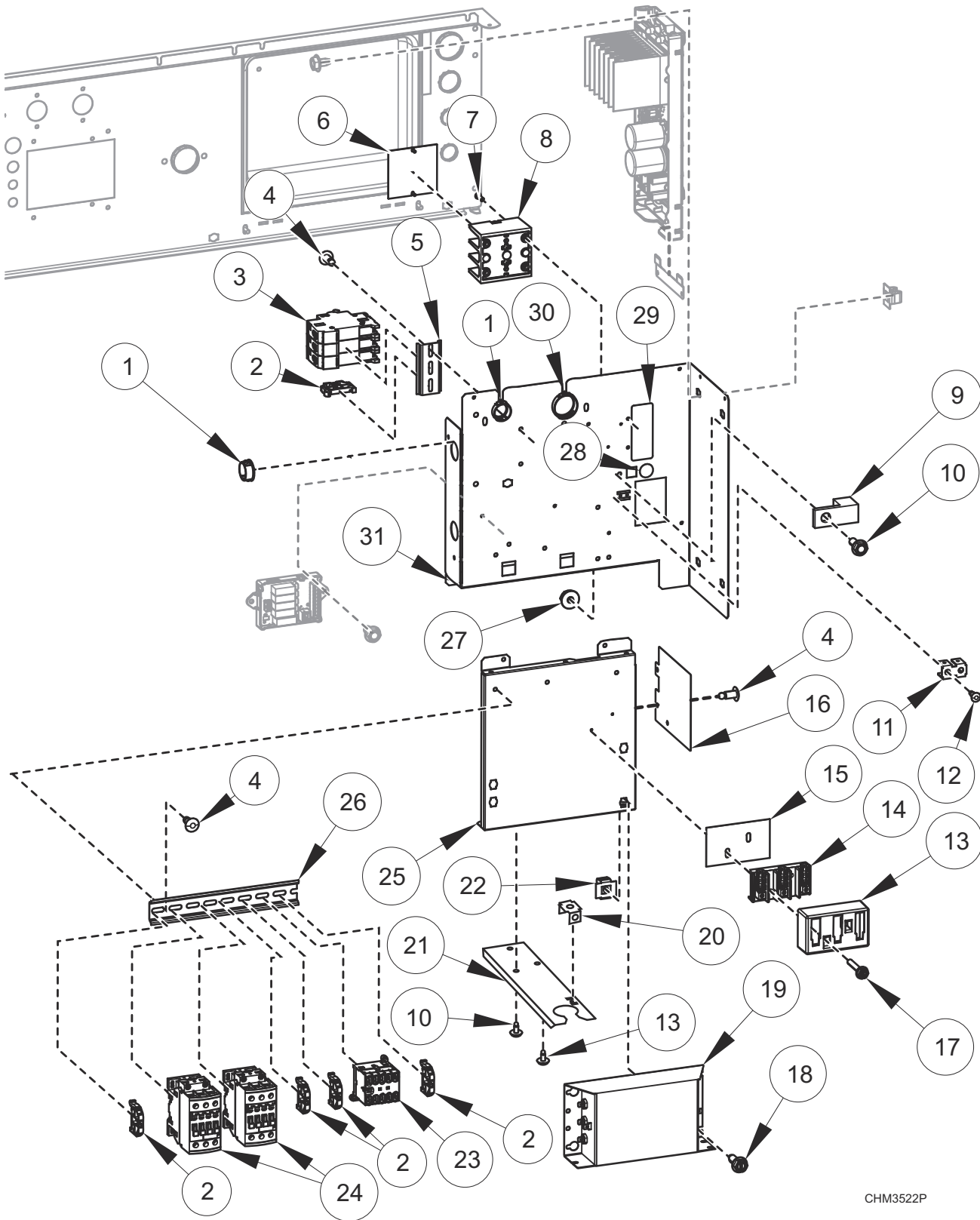


CHM3522P

Inverter Drive Box - 40 Pound Models with N, P, Q, W, X and Y Voltage

REF	PART NO.	DESCRIPTION	COMMENTS
	F8567001	Drive Panel Base Assembly	Includes items 4, 11, 12, 16, 23, 24 and 29
	F8567002	Drive Panel Base Assembly	Electric heat; Includes items 4, 5, 11, 12, 16, 23, 24 and 29
	F8583501	Jumper	Circuit breaker jumper; Electric heat
	F8518401	Harness	Power TB1; W, X and Y voltage
	F8518501	Harness	Power TB1; N and P voltage
	F8518504	Harness	Power filter; N and P voltage
	F8518605	Harness	Power drive; Q, W, X, and Y voltage
	F8518606	Harness	Power drive; N and P voltage
	F8528001	Harness	TB filter
	F8528003	Harness	CB filter; Electric heat
	F8528005	Harness	TB2 Filter; N, P, Q, W, X, and Y voltage
	F8518503	Harness	Power CB; N and P voltage; Electric heat
	F8518403	Harness	Power CB; Q voltage; Electric heat
	F8619101	Power Harness	Power contactor; Electric heat
	F8619102	Harness	Power contactor; Electric heat
	F8662811	Filter Kit	Includes items 1, 14, 15, 17-20, harnesses and labels; Q voltage; Electric heat
	F8662812	Filter Kit	Includes items 1, 14, 15, 17-20, harnesses and labels; N and P voltage; Electric heat
	F8662804	Filter Kit	Includes items 1, 14, 15, 17-20, harnesses and labels; W, X and Y voltage
	F8662806	Filter Kit	Includes items 1, 14, 15, 17-20, harnesses and labels; N and P voltage
1	F140938	Snap Bushing	
2	F8449801	End Stop	
3	70488101	Circuit Breaker	3P; 25A; Electric heat
4	70058501	Pop Rivet	
5	B12315401	DIN Rail	7.5 mm x 35 mm x 72 mm; Electric heat
6	44014901P	Power Distribution Block Cover	Electric heat
7	39733	Screw	Electric heat
8	M413865	Power Distribution Block	Electric heat
9	M411283	Ground Lug Connector	
10	685837	Screw	
11	00622SG	Terminal	
12	M400003	Pop Rivet	
13	70333001	Terminal Block Shield	
14	430642	Terminal Block	
15	M413862	Insulator	
16	F8616901	Drive Shield	
17	51783	Screw	
18	F8206901	Screw	
19	F8591801	EMI Filter	Q, W, X and Y voltage
	F8637501	EMI Filter	N and P voltage
20	00621SG	Male Tab Terminal	IEC models
21	F8744301	Harness Support Bracket	IEC models
22	70030501	Expansion Clip	
23	70482601	Contactors	5.5kW/500V; 24VDC; Electric heat
24	70482701	Contactors	50A; 24VDC
25	F8530901	Contactors Tray	
26	M412689	DIN Rail	7.5 mm x 35 mm x 8.364 inch
27	44088001	Nut	
28	D516100	Label	
29	44286803	Label	Power input; L1, L2, L3; N and P voltage
	44286804	Wire Label	Power input; L1, L2/N; L1, L2, L3; W, X and Y voltage
30	70346501	Bushing	
31	F8530801	Drive Terminal Tray	

Inverter Drive Box - 60 Pound Models with Q and X Voltage

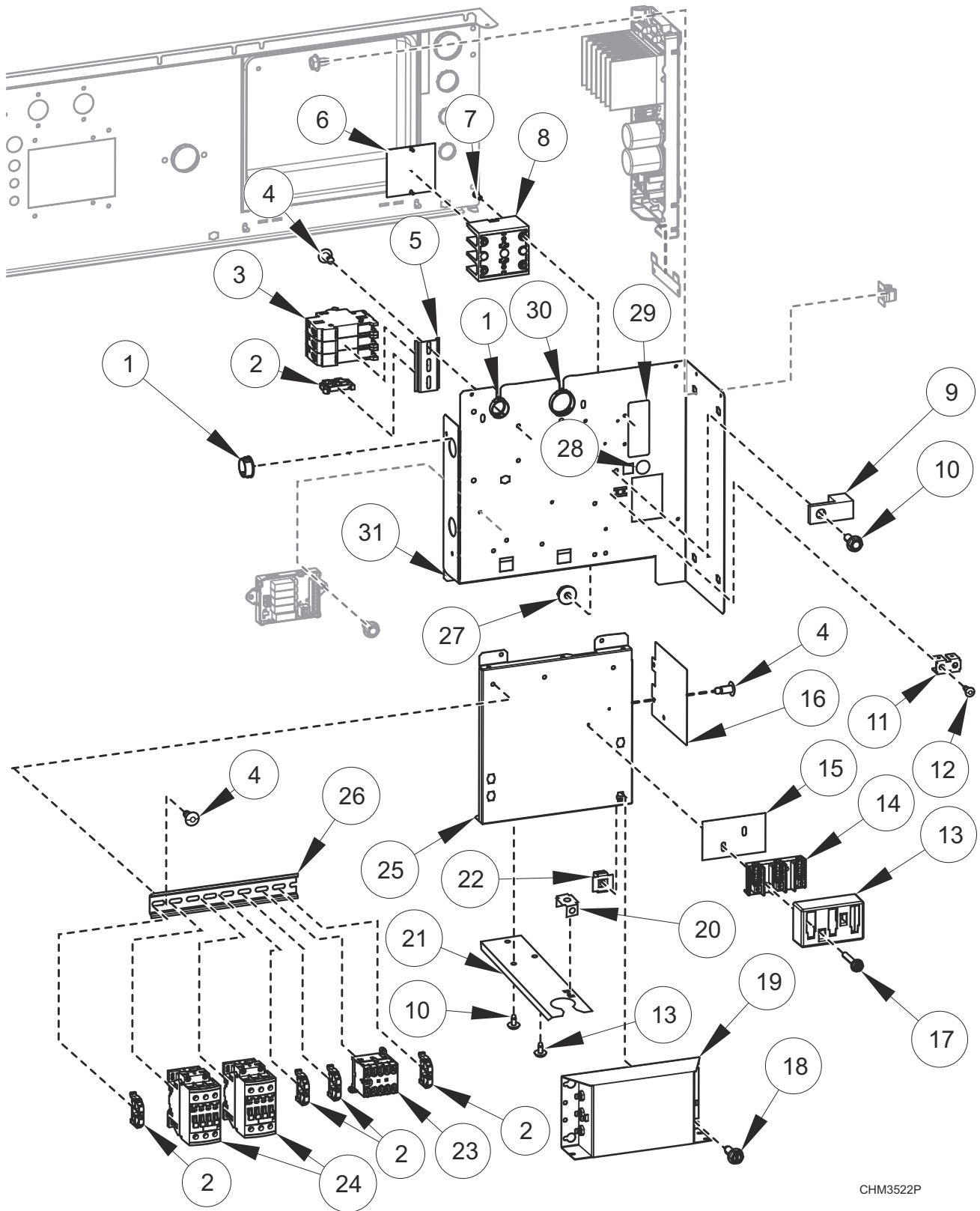


CHM3522P

Inverter Drive Box - 60 Pound Models with Q and X Voltage

REF	PART NO.	DESCRIPTION	COMMENTS
	F8567003	Drive Panel Base Assembly	Includes items 4, 11, 12, 16, 23, 24 and 29
	F8567004	Drive Panel Base Assembly	Electric heat; Includes items 4, 5, 11, 12, 16, 23, 24 and 29
	F8583501	Jumper	Circuit breaker jumper; Electric heat
	F8518401	Harness	Power TB1; X voltage
	F8518404	Harness	Power filter
	F8518607	Harness	Power drive
	F8528001	Harness	TB filter
	F8528003	Harness	CB filter; Electric heat
	F8528005	Harness	TB2 Filter
	F8518403	Harness	Power CB; Q voltage; Electric heat
	F8619101	Power Harness	Power contactor; Electric heat
	F8619102	Harness	Power contactor; Electric heat
	F8662811	Filter Kit	Includes items 1, 14, 15, 17-20, harnesses and labels; Q voltage; Electric heat
	F8662804	Filter Kit	Includes items 1, 14, 15, 17-20, harnesses and labels; X voltage
1	F140938	Snap Bushing	
2	F8449801	End Stop	
3	70488101	Circuit Breaker	3P; 25A; Electric heat
4	70058501	Pop Rivet	
5	B12315401	DIN Rail	7.5 mm x 35 mm x 72 mm; Electric heat
6	44014901P	Power Distribution Block Cover	Electric heat
7	39733	Screw	Electric heat
8	M413865	Power Distribution Block	Electric heat
9	M411283	Ground Lug Connector	
10	685837	Screw	
11	00622SG	Terminal	
12	M400003	Pop Rivet	
13	70333001	Terminal Block Shield	
14	430642	Terminal Block	
15	M413862	Insulator	
16	F8616901	Drive Shield	
17	51783	Screw	
18	F8206901	Screw	
19	F8591801	EMI Filter	
20	00621SG	Male Tab Terminal	IEC models
21	F8744301	Harness Support Bracket	IEC models
22	70030501	Expansion Clip	
23	70482601	Contactora	5.5kW/500V; 24VDC
24	70482701	Contactora	50A; 24VDC
25	F8530901	Contactora Tray	
26	M412689	DIN Rail	7.5 mm x 35 mm x 8.364 inch
27	44088001	Nut	
28	D516100	Label	
29	44286804	Wire Label	Power input; L1, L2/N; L1, L2, L3; X voltage
20	70346501	Bushing	
31	F8530803	Drive Terminal Tray	

Inverter Drive Box - 60 Pound Models with N and P Voltage

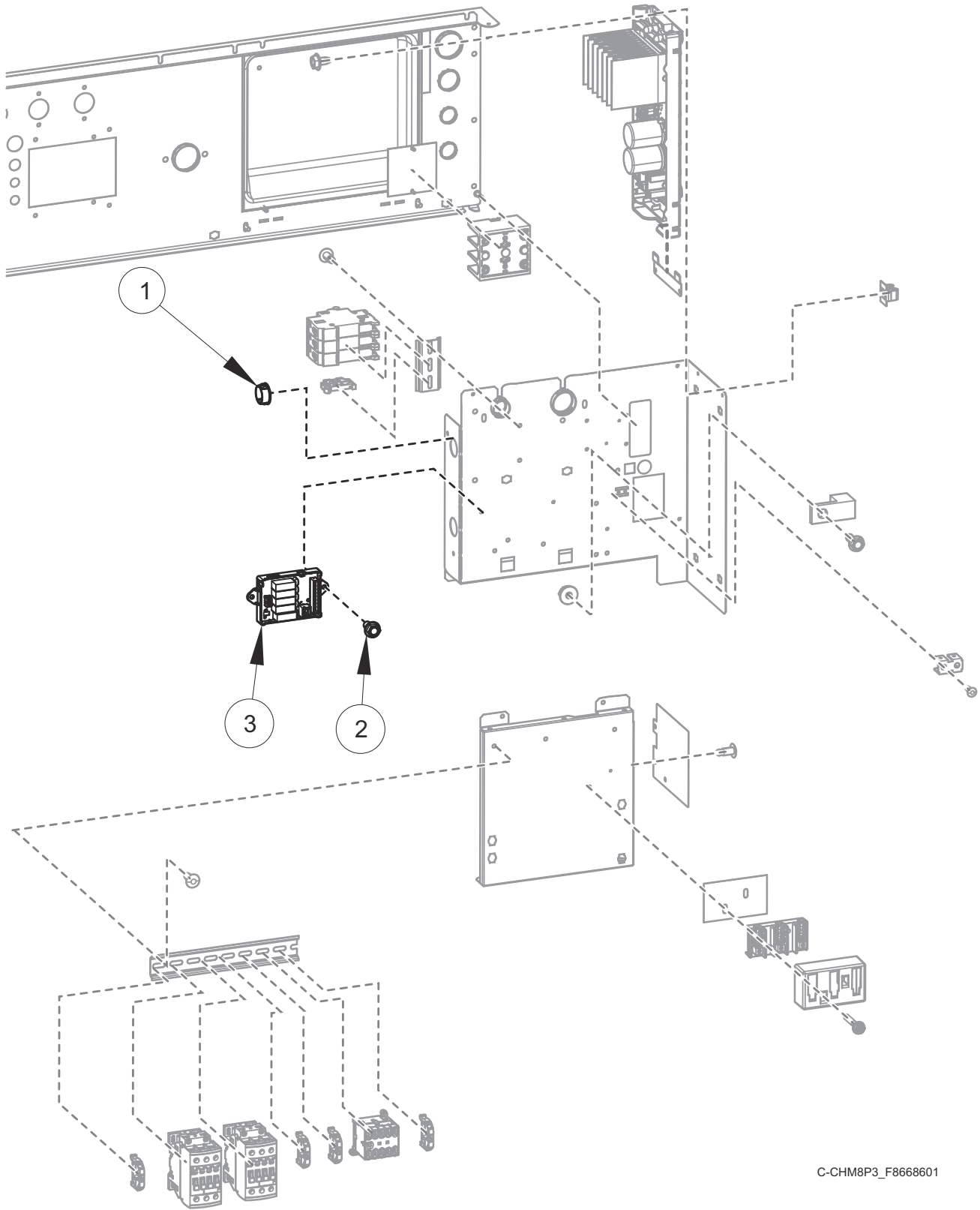


CHM3522P

Inverter Drive Box - 60 Pound Models with N and P Voltage

REF	PART NO.	DESCRIPTION	COMMENTS
	F8567003	Drive Panel Base Assembly	Includes items 4, 11, 12, 16, 23, 24 and 29
	F8567004	Drive Panel Base Assembly	Electric heat; Includes items 4, 5, 11, 12, 16, 23, 24 and 29
	F8583501	Jumper	Circuit breaker jumper; Electric heat
	F8518501	Harness	Power TB1; N and P voltage
	F8518503	Harness	Power CB; Electric heat
	F8518504	Harness	Power filter
	F8518606	Harness	Power drive
	F8528001	Harness	TB filter
	F8528003	Harness	CB filter; Electric heat
	F8528005	Harness	TB2 Filter
	F8619101	Power Harness	Power contactor; Electric heat
	F8619102	Harness	Power contactor; Electric heat
	F8662812	Filter Kit	Includes items 1, 14, 15, 17-20, harnesses and labels; Electric heat
	F8662806	Filter Kit	Includes items 1, 14, 15, 17-20, harnesses and labels
1	F140938	Snap Bushing	
2	F8449801	End Stop	
3	70488101	Circuit Breaker	3P; 25A; Electric heat
4	70058501	Pop Rivet	
5	B12315401	DIN Rail	7.5 mm x 35 mm x 72 mm; Electric heat
6	44014901P	Power Distribution Block Cover	Electric heat
7	39733	Screw	Electric heat
8	M413865	Power Distribution Block	Electric heat
9	M411283	Ground Lug Connector	
10	685837	Screw	
11	00622SG	Terminal	
12	M400003	Pop Rivet	
13	70333001	Terminal Block Shield	
14	430642	Terminal Block	
15	M413862	Insulator	
16	F8616901	Drive Shield	
17	51783	Screw	
18	F8206901	Screw	
19	F8637501	EMI Filter	
20	00621SG	Male Tab Terminal	IEC models
21	F8744301	Harness Support Bracket	IEC models
22	70030501	Expansion Clip	
23	70482601	Contactors	5.5kW/500V; 24VDC
24	70482701	Contactors	50A; 24VDC
25	F8530901	Contactors Tray	
26	M412689	DIN Rail	7.5 mm x 35 mm x 8.364 inch
27	44088001	Nut	
28	D516100	Label	
29	44286803	Label	Power input; L1, L2, L3
30	70346501	Bushing	
31	F8530803	Drive Terminal Tray	

External Supply Kit

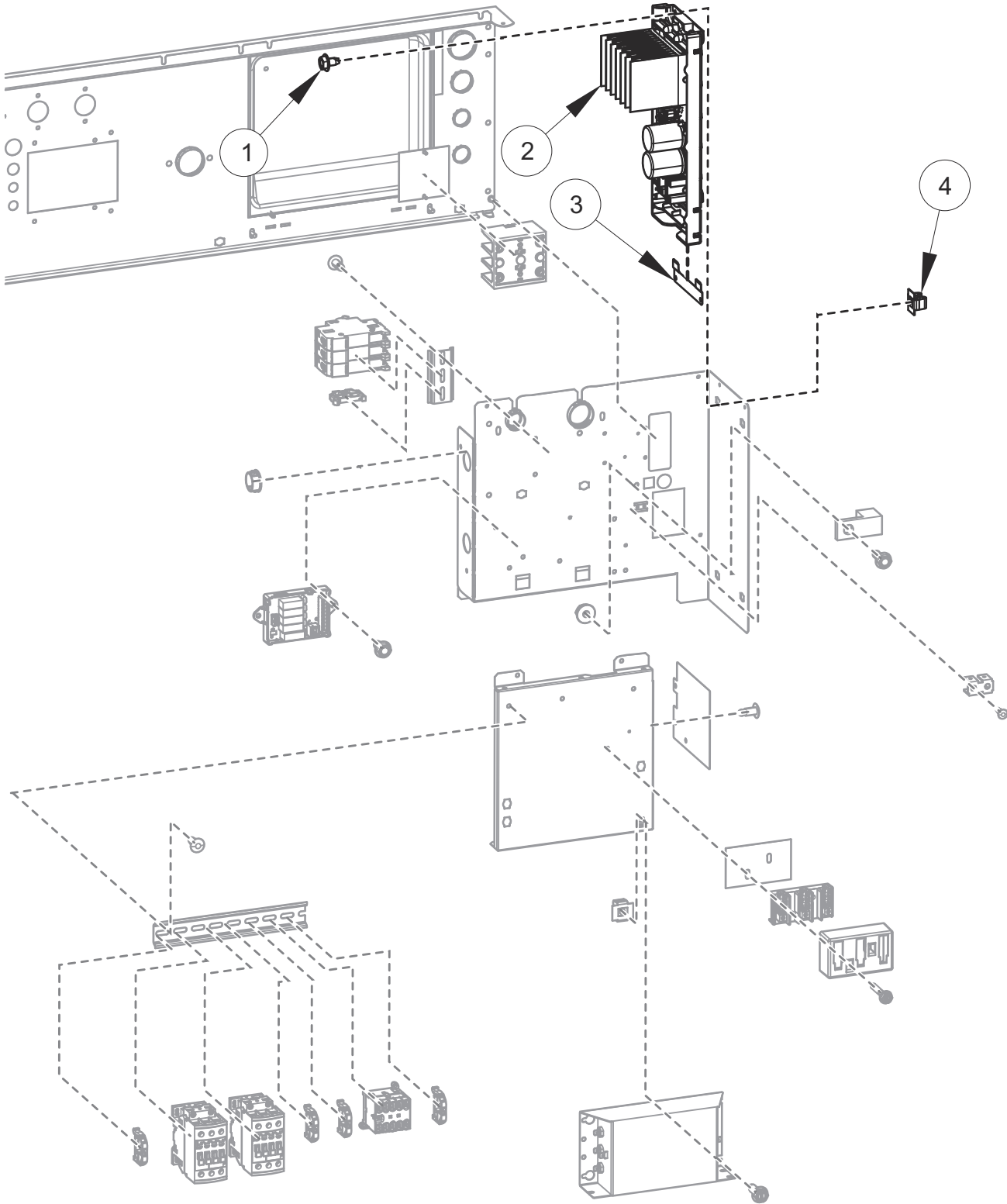


C-CHM8P3_F8668601

External Supply Kit

REF	PART NO.	DESCRIPTION	COMMENTS
	F8520601	Harness	Communication; 20 and 30 pound models
	F8520602	Harness	Communication; 40 and 60 pound models
	F8528203	Harness	Power; B voltage
	F8528204	Harness	Power; N, P, Q, W, X and Y voltage
	F8662501	External Supply Kit	20 and 30 pound card ready models with B voltage; Includes items 1-3, F8520601 Harness, F8528203 Harness and labels; 4 out
	F8662502	External Supply Kit	40 pound card ready models with B voltage; Includes items 1-3, F8520602 Harness, F8528203 Harness and labels; 4 out
	F8662503	External Supply Kit	20 and 30 pound card ready models with N, P, Q and X voltage; Includes items 1-3, F8520601 Harness, F8528204 Harness and labels; 4 out
	F8662504	External Supply Kit	40 and 60 pound card ready models with N, P, Q and X voltage; Includes items 1-3, F8520602 Harness, F8528204 Harness and labels; 4 out
	F8662505	External Supply Kit	20 and 30 pound coin and central pay models with B voltage; Includes items 1-3, 202757 Transformer, F8520601 Harness, F8528203 Harness, hardware and labels; 4 out
	F8662506	External Supply Kit	40 pound coin and central pay models with B voltage; Includes items 1-3, 202757 Transformer, F8520601 Harness, F8528203 Harness, hardware and labels; 4 out
	F8662507	External Supply Kit	20 and 30 pound coin and central pay models with N, P, Q and X voltage; Includes items 1-3, 202758 Transformer, F8520601 Harness, F8528204 Harness, hardware and labels; 4 out
	F8662508	External Supply Kit	40 and 60 pound coin and central pay models with N, P, Q and X voltage; Includes items 1-3, F8520602 Harness, F8528204 Harness, hardware and labels; 4 out
1	F140938	Snap Bushing	
2	430497	Screw	
3	804528	Chemical Injection Control	5 output
	70493102	Connector	9 pin; H2

Inverter Drive

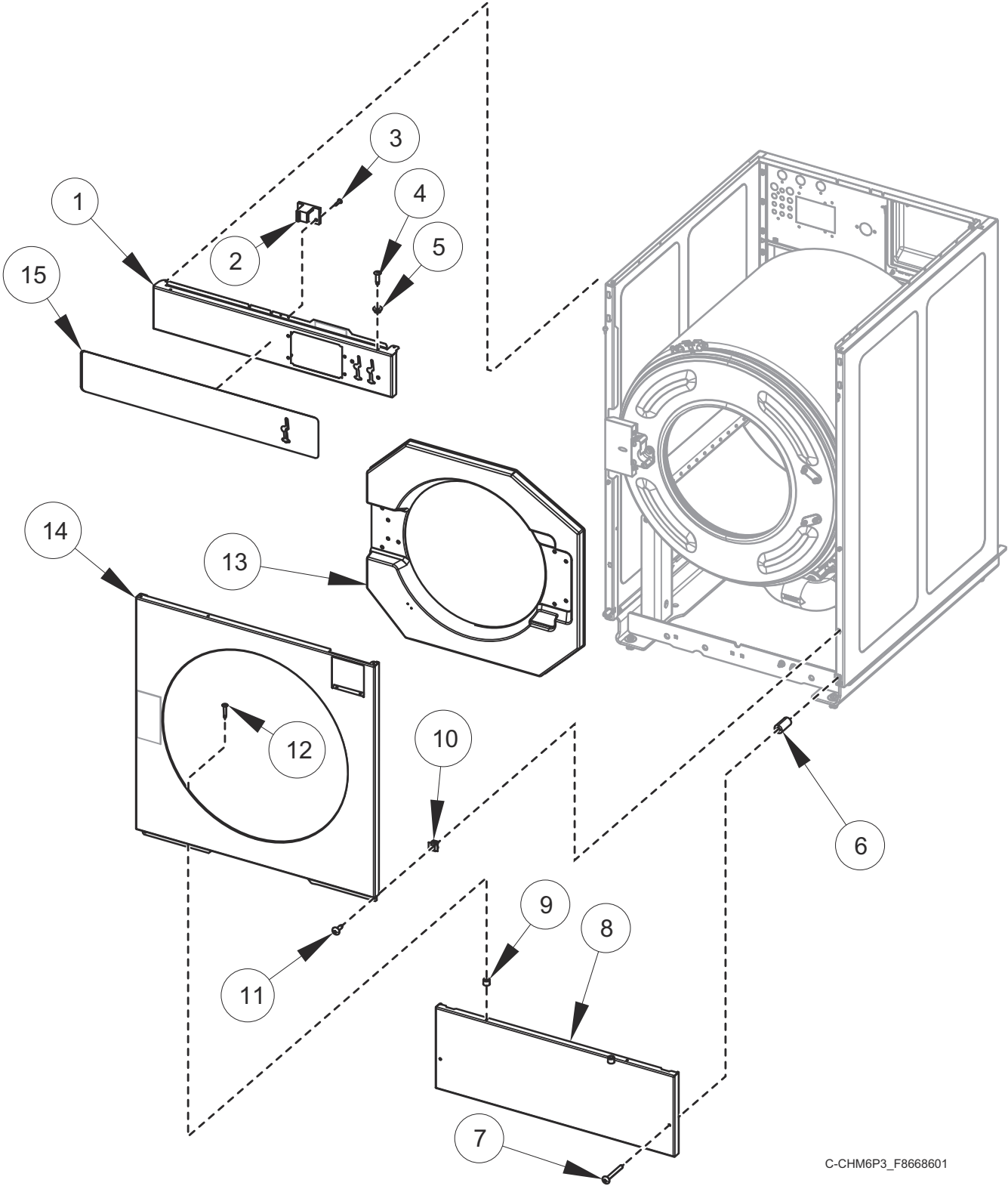


C-CHM2P22_F8668601

Inverter Drive

REF	PART NO.	DESCRIPTION	COMMENTS
	F8519202	Drive Communication Harness	20 and 30 pound models; 40 and 60 pound models with N and P voltage; Electric heat
	F8519203	Drive Communication Harness	40 and 60 pound models with Q voltage; Electric heat
	F8519201	Drive Communication Harness	Standard
	F8519204	Drive Communication Harness	Steam heat
	F8518605	Harness	Power drive; 20, 30 and 40 pound with Q, W, X and Y voltage; EMI filter
	F8518607	Harness	60 pound with Q and X voltage; EMI filter
	F8518606	Harness	Power drive; N and P voltage; EMI filter
	F8518602	Drive Power Harness	Q, W, X and Y voltage
	F8518603	Drive Power Harness	N and P voltage
	F8518601	Drive Power Harness	B voltage
1	D503688	Screw	
2	F8496001	Drive Assembly	20, 30 and 40 pound models; N and P-voltage; 2 hp; 480 Volt
	F8495401P	Drive Assembly	20, 30 and 40 pound models; B, Q, W X and Y-voltage; 2 hp; 120/240 Volt
	F8496301P	Drive Assembly	60 pound models; Q and X-voltage; 3 hp; 240 Volt
	F8496901	Drive Assembly	60 pound models; N and P-voltage; 5 hp; 480 Volt
3	F8322401	Drive Mounting Bracket	2 included with N and P voltage
4	70030501	Expansion Clip	

Front Panels and Control Panel - SC Coin Models - Design 4

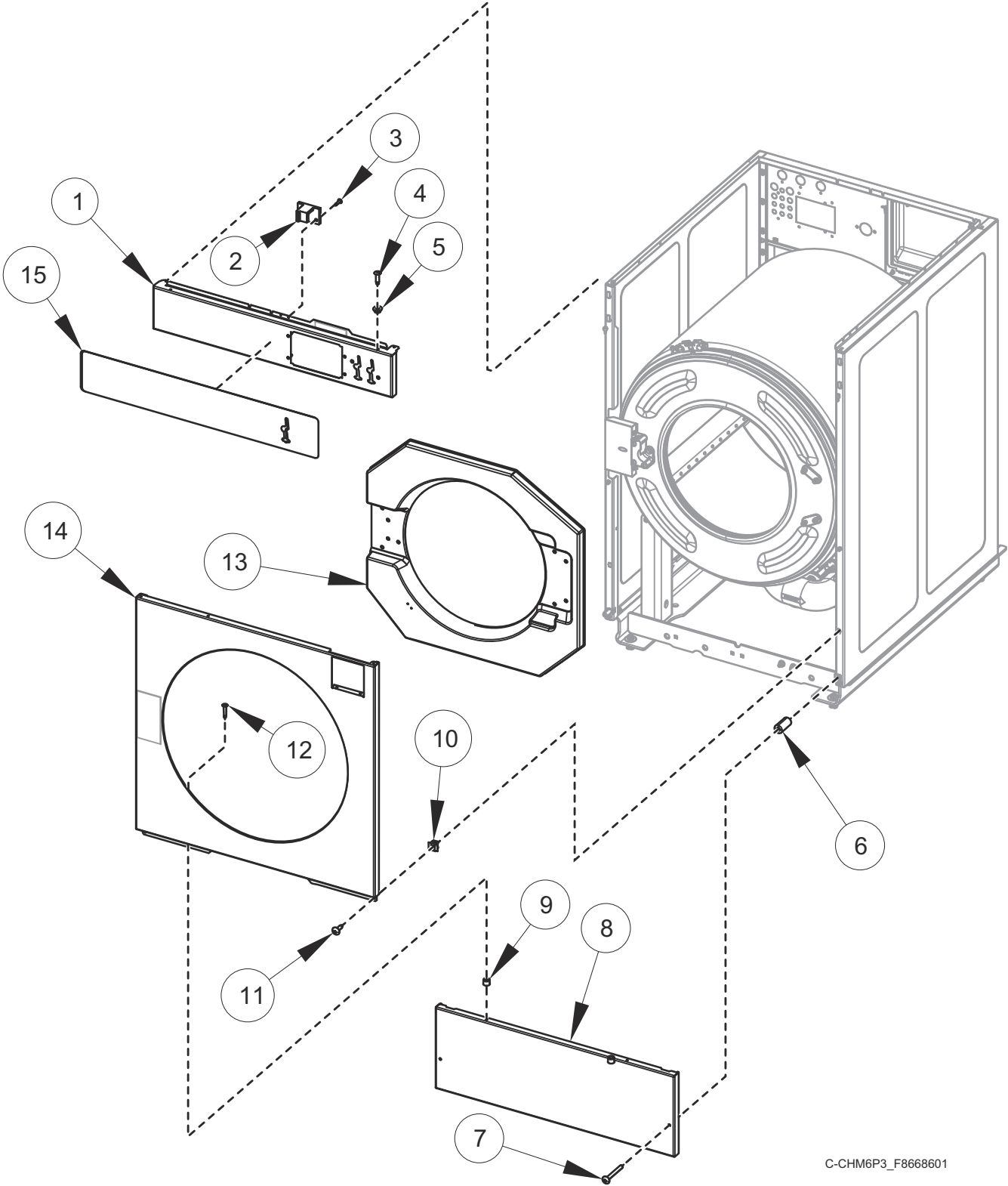


C-CHM6P3_F8668601

Front Panels and Control Panel - SC Coin Models - Design 4

REF	PART NO.	DESCRIPTION	COMMENTS
1	F8523701	Control Panel Assembly	20 pound models
	F8523801	Control Panel Assembly	30 pound models
	F8523901	Control Panel Assembly	40 pound models
	F8553701	Control Panel Assembly	60 pound models
2	F8201001	Top Cover Latch	
3	F431215	Pop Rivet	
4	70412601	Pop Rivet	
5	F8201101	Washer	
6	F8609701	Access Panel Retaining Spacer	
7	F8589501	Screw	
8	F8524001	Access Panel	20 pound models
	F8524101	Access Panel	30 pound models
	F8524201	Access Panel	40 pound models
	F8553901	Access Panel	60 pound models
9	56079	Panel Locator	
10	70030501	Expansion Clip	
11	F8117601	Screw	
12	M412763	Rivet	
13	F8658701	Door Bezel	20 pound models
	F170417-1	Door Bezel	30 pound models
	F8659101	Door Bezel	40 and 60 pound models
14	F8524301	Front Panel	20 pound models
	F8524401	Front Panel	30 pound models
	F8524501	Front Panel	40 pound models
	F8554001	Front Panel	60 pound models
15	F8656405	Overlay	20 pound models; Electronic drop
	F8656505	Overlay	30 pound models; Electronic drop
	F8656605	Overlay	40 pound models; Electronic drop
	F8656705	Overlay	60 pound models; Electronic drop
	F8656401	Overlay	20 pound models; Single coin
	F8656402	Overlay	20 pound models; Dual coin
	F8656501	Overlay	30 pound models; Single coin
	F8656502	Overlay	30 pound models; Dual coin
	F8656601	Overlay	40 pound models; Single coin
	F8656602	Overlay	40 pound models; Dual coin
	F8656701	Overlay	60 pound models; Single coin
	F8656702	Overlay	60 pound models; Dual coin

Front Panels and Control Panel - SC Coin Models - Design 6

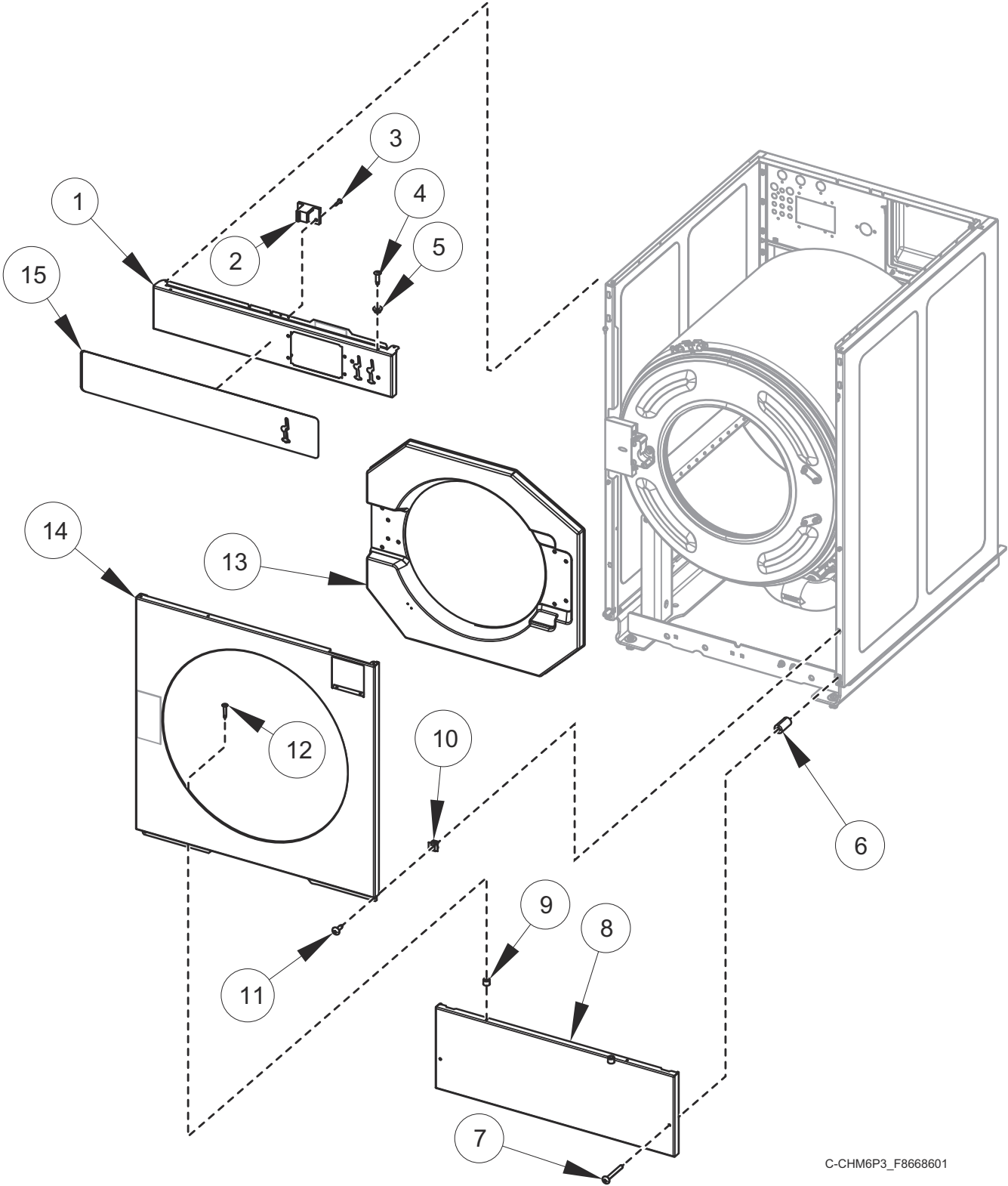


C-CHM6P3_F8668601

Front Panels and Control Panel - SC Coin Models - Design 6

REF	PART NO.	DESCRIPTION	COMMENTS
	F8688801	Nameplate	
	F8698801	Instruction Label	English/Spanish instructions
	F8698901	Instruction Label	Icon instructions
	F8699702	Basket Capacity Label	20 pound models; 2 basket
	F8699703	Basket Capacity Label	30 pound models; 3 basket
	F8699704	Basket Capacity Label	40 pound models; 4 basket
	F8699706	Basket Capacity Label	60 pound models; 6 basket
1	F8697101	Control Panel Assembly	20 pound models
	F8697201	Control Panel Assembly	30 pound models
	F8697301	Control Panel Assembly	40 pound models
	F8697401	Control Panel Assembly	60 pound models
2	F8201001	Top Cover Latch	
3	F431215	Pop Rivet	
4	70412601	Pop Rivet	
5	F8201101	Washer	
6	F8609701	Access Panel Retaining Spacer	
7	F8589501	Screw	
8	F8524001	Access Panel	20 pound models
	F8524101	Access Panel	30 pound models
	F8524201	Access Panel	40 pound models
	F8553901	Access Panel	60 pound models
9	56079	Panel Locator	
10	70030501	Expansion Clip	
11	F8117601	Screw	
12	M412763	Rivet	
13	F8658701	Door Bezel	20 pound models
	F170417-1	Door Bezel	30 pound models
	F8659101	Door Bezel	40 and 60 pound models
14	F8686001	Front Panel	20 pound models
	F8686101	Front Panel	30 pound models
	F8686301	Front Panel	40 pound models
	F8686201	Front Panel	60 pound models
15	F8695301	Overlay	20, 30 and 40 pound models; Single coin
	F8695401	Overlay	60 pound models; Single coin
	F8695302	Overlay	20, 30 and 40 pound models; Dual coin
	F8695402	Overlay	60 pound models; Dual coin
	F8695501	Overlay	20, 30 and 40 pound models; Single International coin
	F8695601	Overlay	60 pound models; Single International coin
	F8695502	Overlay	20, 30 and 40 pound models; Dual International coin
	F8695602	Overlay	60 pound models; Dual International coin
	F8695505	Overlay	20, 30 and 40 pound models; Electronic drop
	F8695605	Overlay	60 pound models; Electronic drop
	F8696101	Overlay	Secondary Single Drop models
	F8696201	Overlay	Secondary Electronic Drop models

Front Panels and Control Panel - SC Coin Models - Design 7

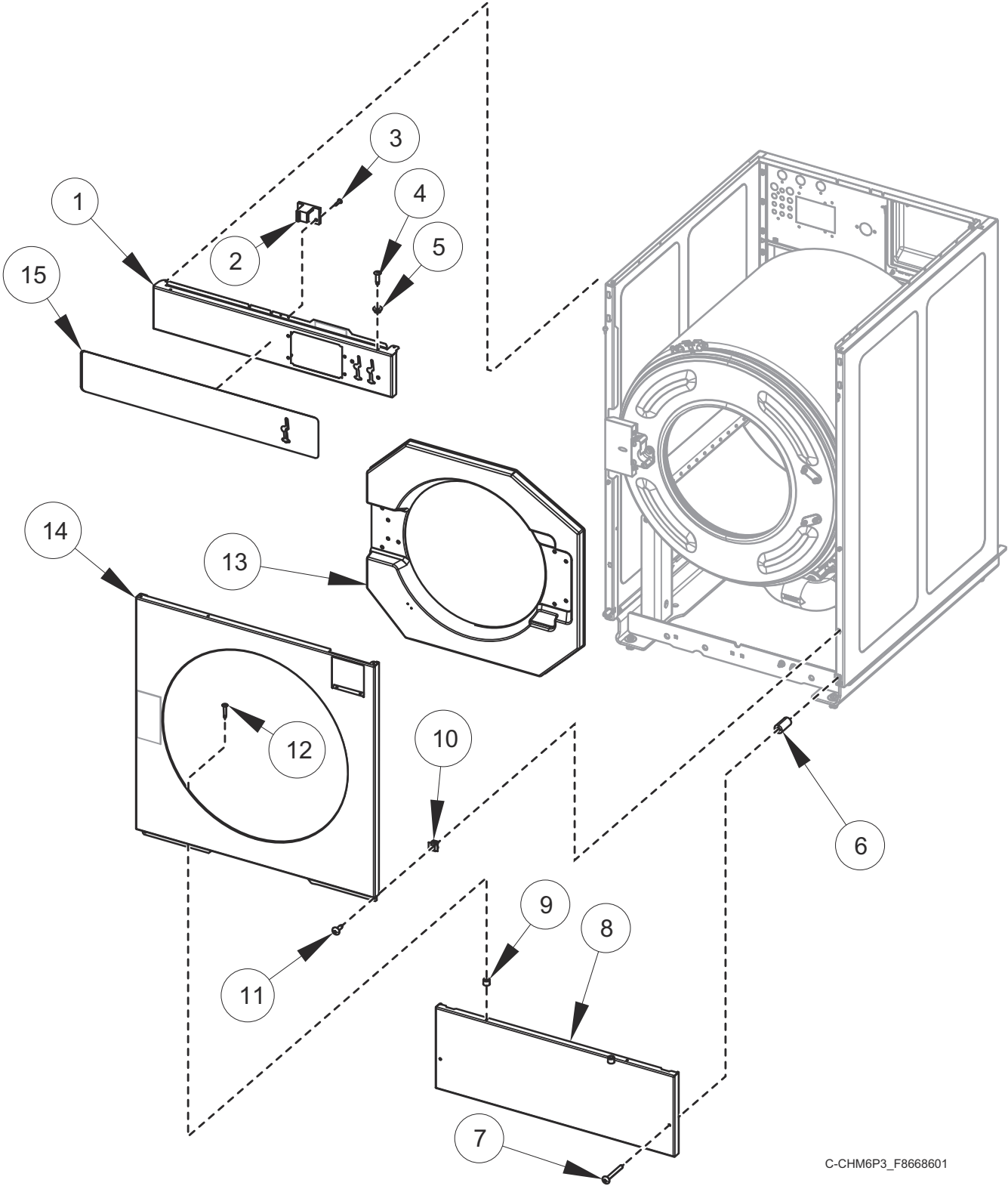


C-CHM6P3_F8668601

Front Panels and Control Panel - SC Coin Models - Design 7

REF	PART NO.	DESCRIPTION	COMMENTS
	F8688801	Nameplate	
	F8698801	Instruction Label	English/Spanish instructions
	F8698901	Instruction Label	Icon instructions
	F8699702	Basket Capacity Label	20 pound models; 2 basket
	F8699703	Basket Capacity Label	30 pound models; 3 basket
	F8699704	Basket Capacity Label	40 pound models; 4 basket
	F8699706	Basket Capacity Label	60 pound models; 6 basket
1	F8697101	Control Panel Assembly	20 pound models
	F8697201	Control Panel Assembly	30 pound models
	F8697301	Control Panel Assembly	40 pound models
	F8697401	Control Panel Assembly	60 pound models
2	F8201001	Top Cover Latch	
3	F431215	Pop Rivet	
4	70412601	Pop Rivet	
5	F8201101	Washer	
6	F8609701	Access Panel Retaining Spacer	
7	F8589501	Screw	
8	F8524001	Access Panel	20 pound models
	F8524101	Access Panel	30 pound models
	F8524201	Access Panel	40 pound models
	F8553901	Access Panel	60 pound models
9	56079	Panel Locator	
10	70030501	Expansion Clip	
11	F8117601	Screw	
12	M412763	Rivet	
13	F8658701	Door Bezel	20 pound models
	F170417-1	Door Bezel	30 pound models
	F8659101	Door Bezel	40 and 60 pound models
14	F8524303	Front Panel	20 pound models
	F8524403	Front Panel	30 pound models
	F8524503	Front Panel	40 pound models
	F8554003	Front Panel	60 pound models
15	F8731001	Overlay	20 pound models; Single coin
	F8731101	Overlay	30 pound models; Single coin
	F8731201	Overlay	40 pound models; Single coin
	F8731301	Overlay	60 pound models; Single coin
	F8731002	Overlay	20 pound models; Dual coin
	F8731102	Overlay	30 pound models; Dual coin
	F8731202	Overlay	40 pound models; Dual coin
	F8731302	Overlay	60 pound models; Dual coin
	F8656401	Overlay	20 pound models; Single International coin
	F8656501	Overlay	30 pound models; Single International coin
	F8656601	Overlay	40 pound models; Single International coin
	F8656701	Overlay	60 pound models; Single International coin
	F8656402	Overlay	20 pound models; Dual International coin
	F8656502	Overlay	30 pound models; Dual International coin
	F8656602	Overlay	40 pound models; Dual International coin
	F8656702	Overlay	60 pound models; Dual International coin
	F8656405	Overlay	20 pound models; Electronic drop
	F8656505	Overlay	30 pound models; Electronic drop
	F8656605	Overlay	40 pound models; Electronic drop
	F8656705	Overlay	60 pound models; Electronic drop

Front Panels and Control Panel - JC Coin Models

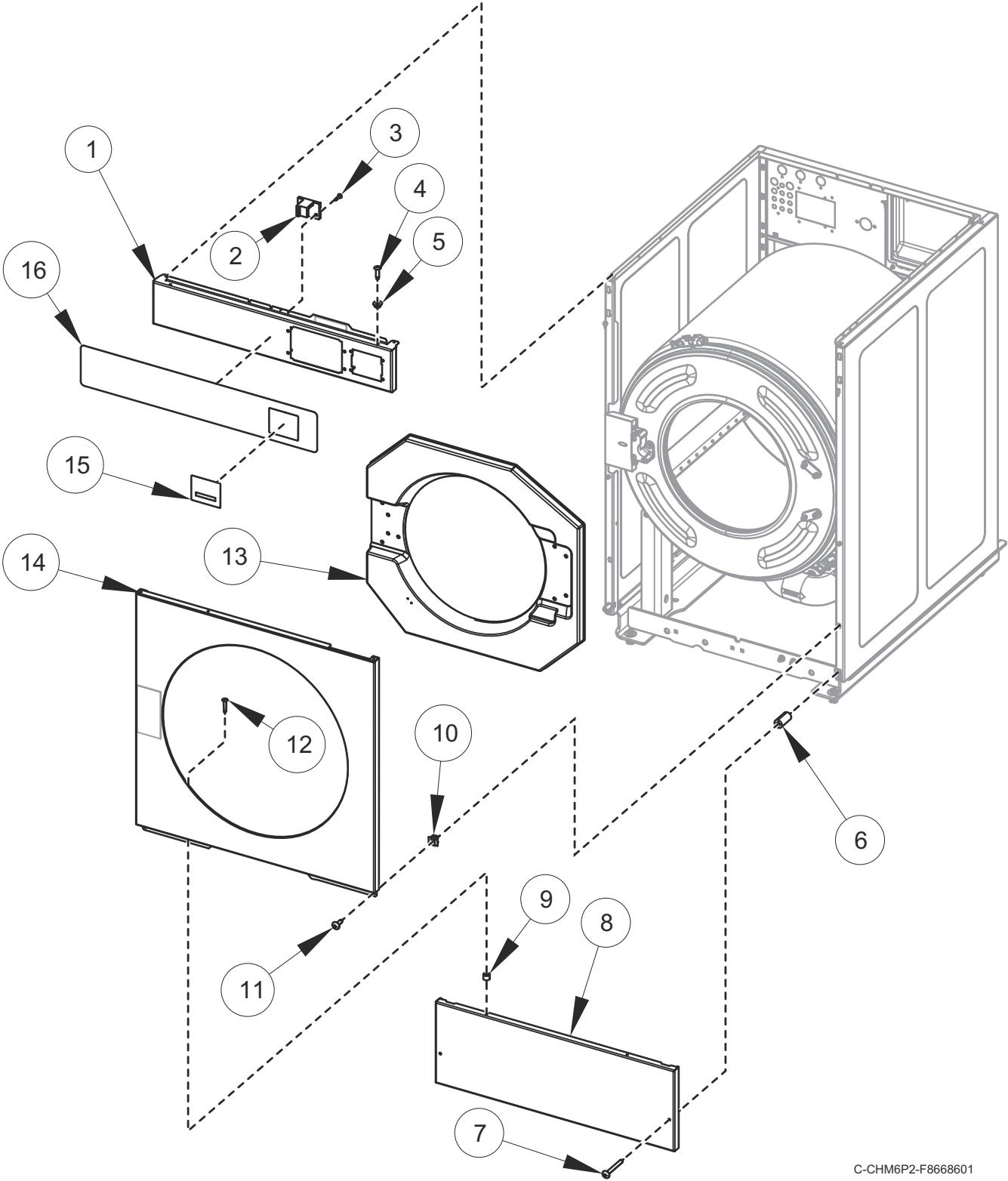


C-CHM6P3_F8668601

Front Panels and Control Panel - JC Coin Models

REF	PART NO.	DESCRIPTION	COMMENTS
1	F8523701	Control Panel Assembly	20 pound models
	F8523801	Control Panel Assembly	30 pound models
	F8523901	Control Panel Assembly	40 pound models
2	F8201001	Top Cover Latch	
3	F431215	Pop Rivet	
4	70412601	Pop Rivet	
5	F8201101	Washer	
6	F8609701	Access Panel Retaining Spacer	
7	F8589501	Screw	
8	F8524001	Access Panel	20 pound models
	F8524101	Access Panel	30 pound models
	F8524201	Access Panel	40 pound models
9	56079	Panel Locator	
10	70030501	Expansion Clip	
11	F8117601	Screw	
12	M412763	Rivet	
13	F8658701	Door Bezel	20 pound models
	F170417-1	Door Bezel	30 pound models
	F8659101	Door Bezel	40 pound models
14	F8524305	Front Panel	20 pound models
	F8524405	Front Panel	30 pound models
	F8524505	Front Panel	40 pound models
15	F8611701	Overlay	20 pound models; Electronic drop; Green buttons
	F8611801	Overlay	30 pound models; Electronic drop; Green buttons
	F8611901	Overlay	40 pound models; Electronic drop; Green buttons
	F8744001	Overlay	20 pound models; Electronic drop; Blue
	F8744101	Overlay	30 pound models; Electronic drop; Blue
	F8744201	Overlay	40 pound models; Electronic drop; Blue
	F8744001	Overlay	20 pound models; Electronic drop; Dark gray buttons
	F9744101	Overlay	30 pound models; Electronic drop; Dark gray buttons
F8744201	Overlay	40 pound models; Electronic drop; Dark gray buttons	

Front Panels and Control Panel - Card Reader and Central Pay Models - Design 4

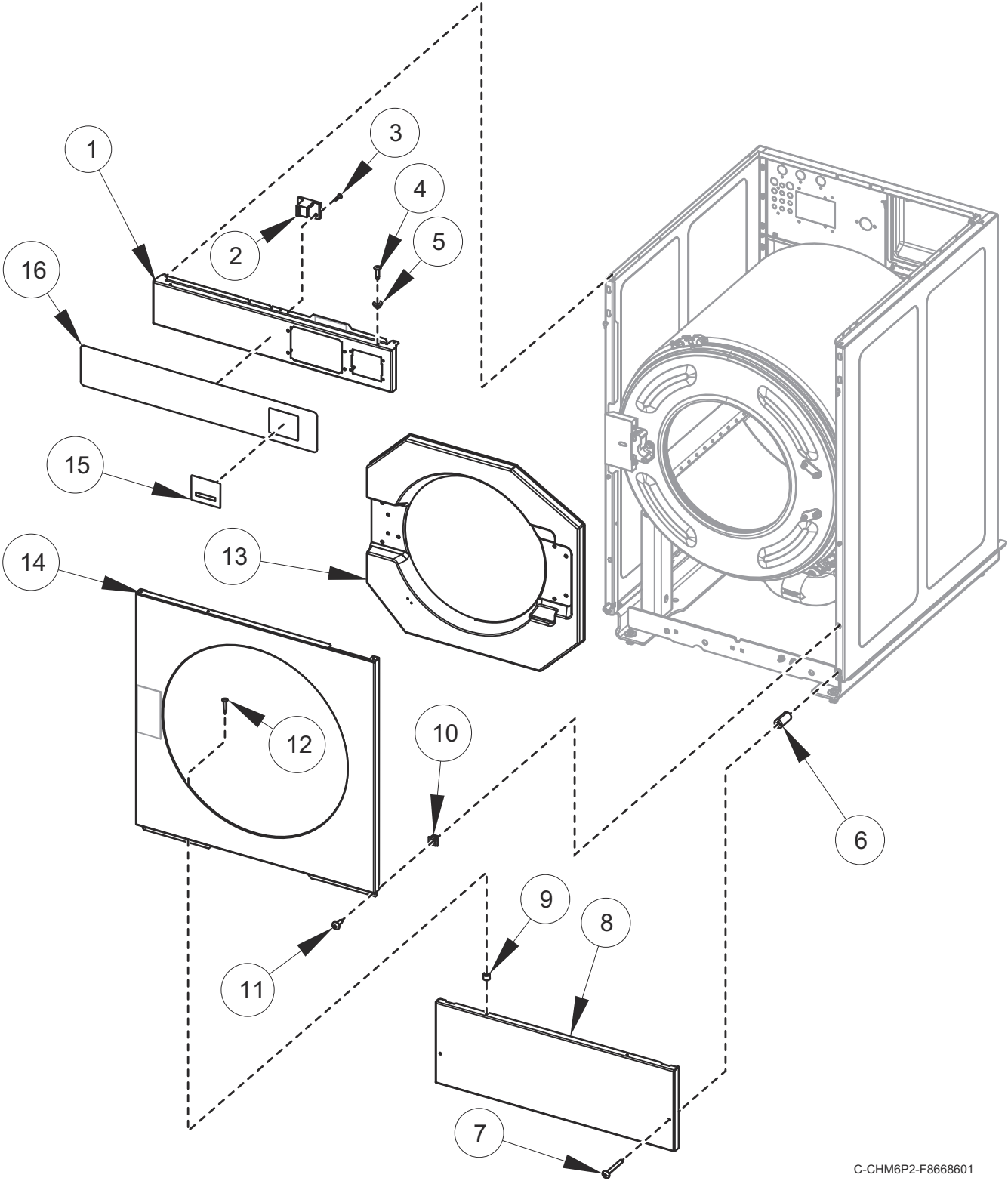


C-CHM6P2-F8668601

Front Panels and Control Panel - Card Reader and Central Pay Models - Design 4

REF	PART NO.	DESCRIPTION	COMMENTS
1	F8523704	Control Panel Assembly	20 pound models
	F8523804	Control Panel Assembly	30 pound models
	F8523904	Control Panel Assembly	40 pound models
	F8553704	Control Panel Assembly	60 pound models
2	F8201001	Top Cover Latch	
3	F431215	Pop Rivet	
4	70412601	Pop Rivet	
5	F8201101	Washer	
6	F8609701	Access Panel Retaining Spacer	
7	F8589501	Screw	
8	F8524001	Access Panel	20 pound models
	F8524101	Access Panel	30 pound models
	F8524201	Access Panel	40 pound models
	F8553901	Access Panel	60 pound models
9	56079	Panel Locator	
10	70030501	Expansion Clip	
11	F8117601	Screw	
12	M412763	Rivet	
13	F8658701	Door Bezel	20 pound models
	F170417-1	Door Bezel	30 pound models
	F8659101	Door Bezel	40 and 60 pound models
14	F8524302	Front Panel	20 pound models
	F8524402	Front Panel	30 pound models
	F8524502	Front Panel	40 pound models
	F8554002	Front Panel	60 pound models
15	70557002	Overlay	Central pay models
	70557001	Overlay	Card reader models
16	F8656404	Overlay	SC 20 pound central pay models
	F8656504	Overlay	SC 30 pound central pay models
	F8656604	Overlay	SC 40 pound central pay models
	F8656704	Overlay	SC 60 pound central pay models
	F8656403	Overlay	SC 20 pound card ready models
	F8656503	Overlay	SC 30 pound card ready models
	F8656603	Overlay	SC 40 pound card ready models
	F8656703	Overlay	SC 60 pound card ready models

Front Panels and Control Panel - Card Reader and Central Pay Models - Design 6

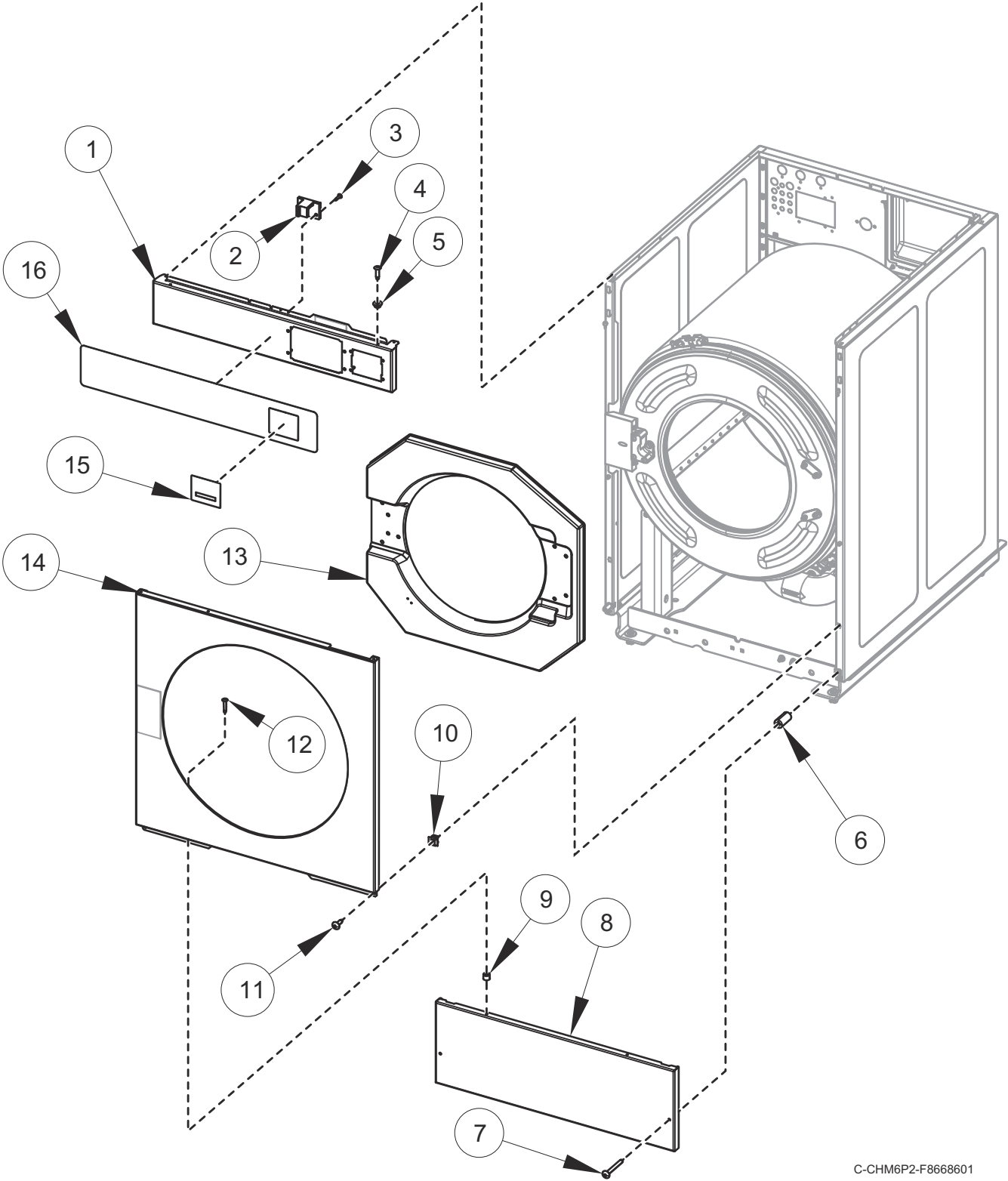


C-CHM6P2-F8668601

Front Panels and Control Panel - Card Reader and Central Pay Models - Design 6

REF	PART NO.	DESCRIPTION	COMMENTS
	F8688801	Nameplate	
	F8698801	Instruction Label	English/Spanish instructions
	F8698901	Instruction Label	Icon instructions
	F8699702	Basket Capacity Label	20 pound models; 2 basket
	F8699703	Basket Capacity Label	30 pound models; 3 basket
	F8699704	Basket Capacity Label	40 pound models; 4 basket
	F8699706	Basket Capacity Label	60 pound models; 6 basket
1	F8697102	Control Panel Assembly	20 pound models; Card
	F8697202	Control Panel Assembly	30 pound models; Card
	F8697302	Control Panel Assembly	40 pound models; Card
	F8697402	Control Panel Assembly	60 pound models; Card
2	F8201001	Top Cover Latch	
3	F431215	Pop Rivet	
4	70412601	Pop Rivet	
5	F8201101	Washer	
6	F8609701	Access Panel Retaining Spacer	
7	F8589501	Screw	
8	F8524001	Access Panel	20 pound models
	F8524101	Access Panel	30 pound models
	F8524201	Access Panel	40 pound models
	F8553901	Access Panel	60 pound models
9	56079	Panel Locator	
10	70030501	Expansion Clip	
11	F8117601	Screw	
12	M412763	Rivet	
13	F8658701	Door Bezel	20 pound models
	F170417-1	Door Bezel	30 pound models
	F8659101	Door Bezel	40 and 60 pound models
14	F8685602	Front Panel	20 pound models; Card reader
	F8685604	Front Panel	20 pound models; Central pay
	F8685702	Front Panel	30 pound models; Card reader
	F8685704	Front Panel	30 pound models; Central pay
	F8685202	Front Panel	40 pound models; Card reader
	F8685204	Front Panel	40 pound models; Central pay
	F8685802	Front Panel	60 pound models; Card reader
	F8685804	Front Panel	60 pound models; Central pay
15	70557002	Overlay	Central pay models
	70557001	Overlay	Card reader models
16	F8696301	Overlay	Secondary card
	F8696302	Overlay	Secondary central pay
	F8695303	Overlay	20, 30 and 40 pound models; Card ready
	F8695403	Overlay	60 pound models; Card ready
	F8695503	Overlay	20, 30 and 40 pound models; Card ready international
	F8695603	Overlay	60 pound models; Card ready international
	F8695504	Overlay	20, 30 and 40 pound models; Central pay international
	F8695604	Overlay	60 pound models; Central pay international
	F8696301	Overlay	Secondary Card models
	F8696302	Overlay	Secondary Central pay models

Front Panels and Control Panel - Card Reader and Central Pay Models - Design 7

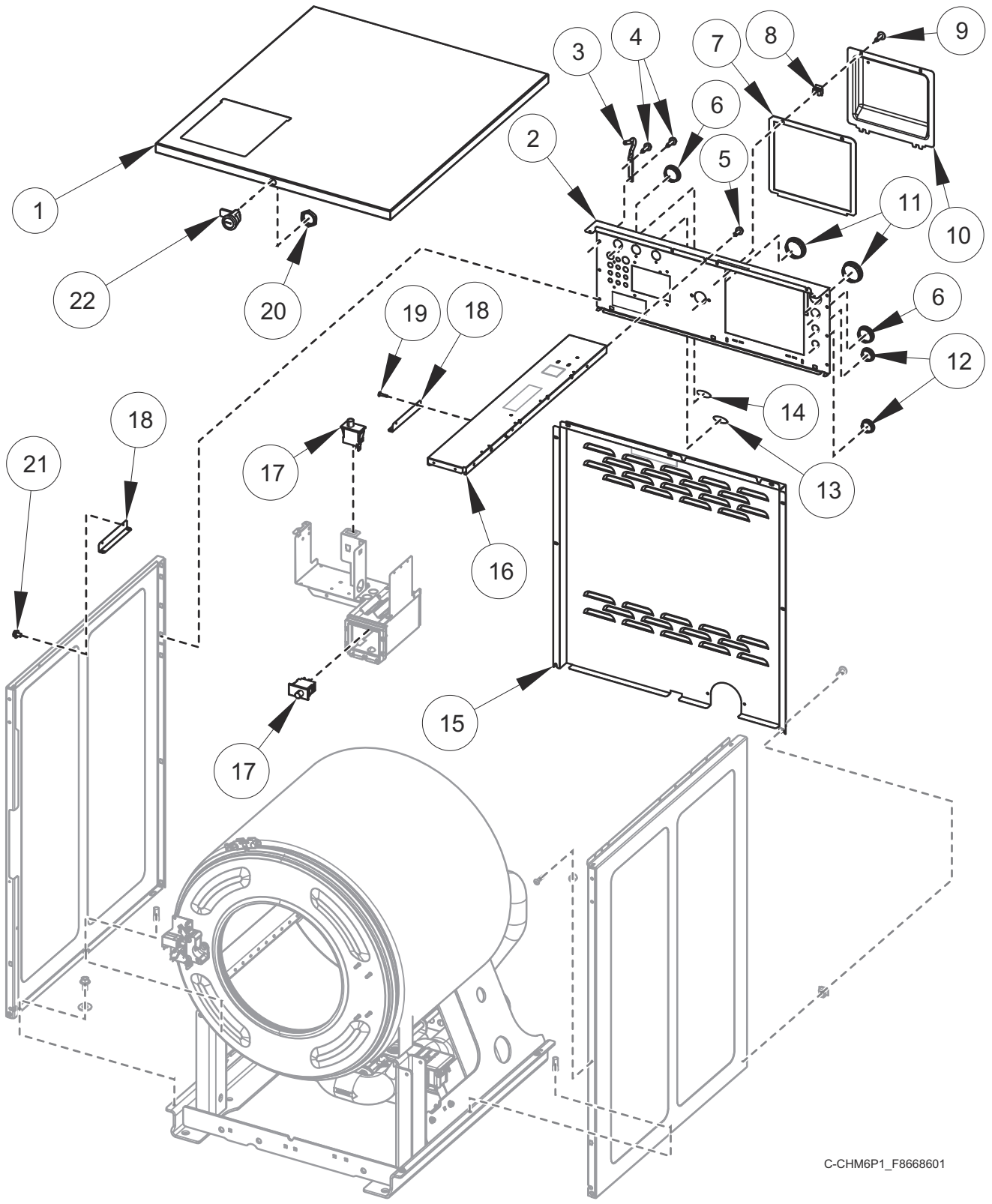


C-CHM6P2-F8668601

Front Panels and Control Panel - Card Reader and Central Pay Models - Design 7

REF	PART NO.	DESCRIPTION	COMMENTS
	F8688801	Nameplate	
	F8698801	Instruction Label	English/Spanish instructions
	F8698901	Instruction Label	Icon instructions
	F8699702	Basket Capacity Label	20 pound models; 2 basket
	F8699703	Basket Capacity Label	30 pound models; 3 basket
	F8699704	Basket Capacity Label	40 pound models; 4 basket
	F8699706	Basket Capacity Label	60 pound models; 6 basket
1	F8697102	Control Panel Assembly	20 pound models; Card
	F8697202	Control Panel Assembly	30 pound models; Card
	F8697302	Control Panel Assembly	40 pound models; Card
	F8697402	Control Panel Assembly	60 pound models; Card
2	F8201001	Top Cover Latch	
3	F431215	Pop Rivet	
4	70412601	Pop Rivet	
5	F8201101	Washer	
6	F8609701	Access Panel Retaining Spacer	
7	F8589501	Screw	
8	F8524001	Access Panel	20 pound models
	F8524101	Access Panel	30 pound models
	F8524201	Access Panel	40 pound models
	F8553901	Access Panel	60 pound models
9	56079	Panel Locator	
10	70030501	Expansion Clip	
11	F8117601	Screw	
12	M412763	Rivet	
13	F8658701	Door Bezel	20 pound models
	F170417-1	Door Bezel	30 pound models
	F8659101	Door Bezel	40 and 60 pound models
14	F8524304	Front Panel	20 pound models
	F8524404	Front Panel	30 pound models
	F8524504	Front Panel	40 pound models
	F8554004	Front Panel	60 pound models
15	70557002	Overlay	Central pay models
	70557001	Overlay	Card reader models
16	F8731003	Overlay	20 pound models; Card ready
	F8731103	Overlay	30 pound models; Card ready
	F8731203	Overlay	40 pound models; Card ready
	F8731303	Overlay	60 pound models; Card ready
	F8731403	Overlay	20 pound models; Card ready international
	F8731503	Overlay	30 pound models; Card ready international
	F8731603	Overlay	40 pound models; Card ready international
	F8731703	Overlay	60 pound models; Card ready international
	F8656404	Overlay	20 pound models; Central pay international
	F8656504	Overlay	30 pound models; Central pay international
	F8656604	Overlay	40 pound models; Central pay international
	F8656704	Overlay	60 pound models; Central pay international

Rear and Top Panels

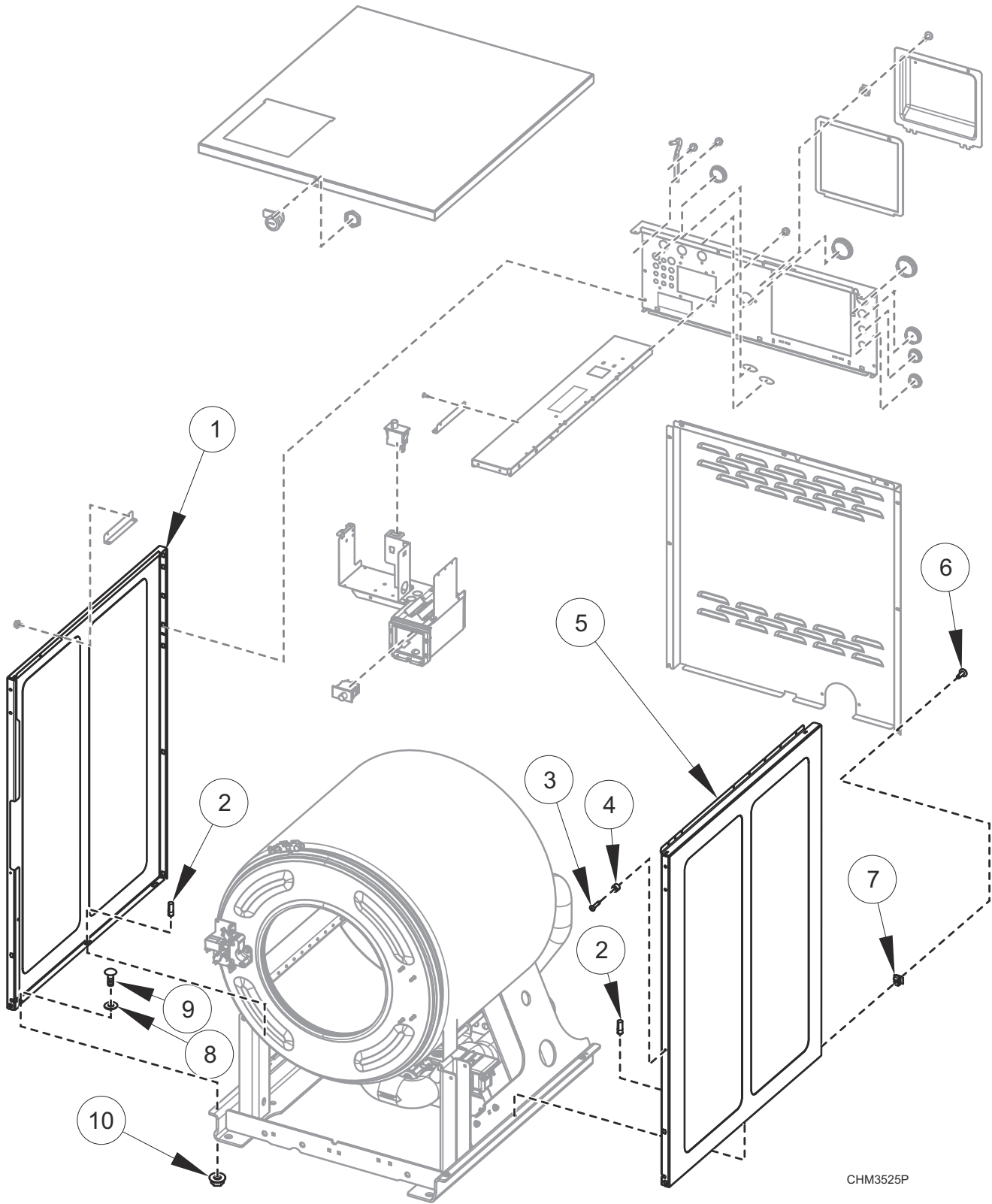


C-CHM6P1_F8668601

Rear and Top Panels

REF	PART NO.	DESCRIPTION	COMMENTS
1	F8525401	Top Cover	20 pound models
	F8525501	Top Cover	30 pound models
	F8525601	Top Cover	40 pound models
	F8554301	Top Cover	60 pound models
2	F8513101	Valve Panel	20 pound models
	F8513201	Valve Panel	30 pound models
	F8513301	Valve Panel	40 pound models
	F8554401	Valve Panel	60 pound models
3	F8258601	Top Cover Hinge	
4	F8206901	Screw	
5	33562	Screw	
6	F8223901	Plug	
7	F8542601	Gasket	
8	70030501	Expansion Clip	
9	F8117601	Screw	
10	F8518301	Terminal Tray Cover	
	F8521301	Cable	
11	F8223801	Hole Plug	
12	M400985	Plug	
13	F8611301	Label	Hot water
14	F8611401	Label	Cold water
15	F8527001	Rear Panel	20 pound models
	F8527101	Rear Panel	30 pound models
	F8527201	Rear Panel	40 pound models
	F8554501	Rear Panel	60 pound models
16	F8527301	Cabinet Brace	20 pound models
	F8527401	Cabinet Brace	30 pound models
	F8527501	Cabinet Brace	40 pound models
	F8553201	Cabinet Brace	60 pound models
17	70413301	Pushbutton Switch	
18	F8525701	Dispenser Bracket	
19	F431215	Pop Rivet	
20	44088801	Nut	
21	51780	Screw	
22	44089303P	Panel Lock	
	70155603	Key	

Side Panels

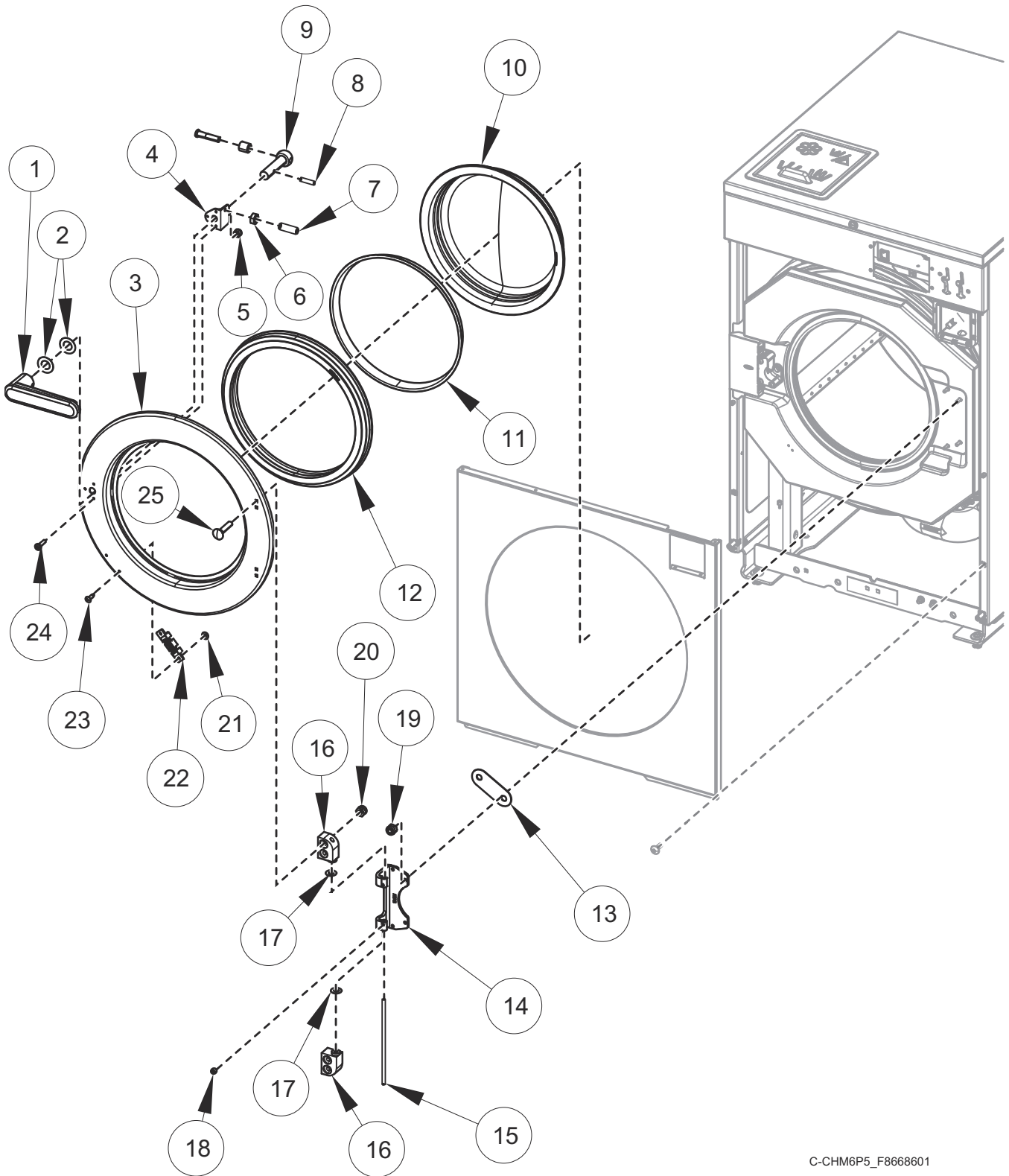


CHM3525P

Side Panels

REF	PART NO.	DESCRIPTION	COMMENTS
1	F8524602	Side Panel	20 pound models; Left
	F8524604	Side Panel	20 pound models; Left; Stainless steel; all markets through December 7, 2021; models with 0 in 5th position of serial number starting December 8, 2021
	F8525606	Side Panel	20 pound models; Left; Painted; models with 6 in 5th position of serial number starting December 8, 2021
	F8524702	Side Panel	30 pound models; Left
	F8524704	Side Panel	30 pound models; Left; Stainless steel; all markets through December 7, 2021; models with 0 in 5th position of serial number starting December 8, 2021
	F8524706	Side Panel	30 pound models; Left; Painted; models with 6 in 5th position of serial number starting December 8, 2021
	F8524802	Side Panel	40 pound models; Left
	F8524804	Side Panel	40 pound models; Left; Stainless steel; all markets through December 7, 2021; models with 0 in 5th position of serial number starting December 8, 2021
	F8524806	Side Panel	40 pound models; Left; Painted; models with 6 in 5th position of serial number starting December 8, 2021
	F8554204	Side Panel	60 pound models; Left
	F8554202	Side Panel	60 pound models; Left; Stainless steel; all markets through December 7, 2021; models with 0 in 5th position of serial number starting December 8, 2021
	F8554206	Side Panel	60 pound models; Left; Painted; models with 6 in 5th position of serial number starting December 8, 2021
	2	F8502101	Pin
3	M412763	Rivet	
4	56079	Panel Locator	
5	F8524601	Side Panel	20 pound models; Right
	F8524603	Side Panel	20 pound models; Right; Stainless steel; all markets through December 7, 2021; models with 0 in 5th position of serial number starting December 8, 2021
	F8525605	Side Panel	20 pound models; Right; Painted; models with 6 in 5th position of serial number starting December 8, 2021
	F8524701	Side Panel	30 pound models; Right
	F8524703	Side Panel	30 pound models; Right; Stainless steel; all markets through December 7, 2021; models with 0 in 5th position of serial number starting December 8, 2021
	F8524705	Side Panel	30 pound models; Right; Painted; models with 6 in 5th position of serial number starting December 8, 2021
	F8524801	Side Panel	40 pound models; Right
	F8524803	Side Panel	40 pound models; Right; Stainless steel; all markets through December 7, 2021; models with 0 in 5th position of serial number starting December 8, 2021
	F8524805	Side Panel	40 pound models; Right; Painted; models with 6 in 5th position of serial number starting December 8, 2021
	F8554203	Side Panel	60 pound models; Right
	F8554201	Side Panel	60 pound models; Right; Stainless steel; all markets through December 7, 2021; models with 0 in 5th position of serial number starting December 8, 2021
F8554205	Side Panel	60 pound models; Right; Painted; models with 6 in 5th position of serial number starting December 8, 2021	
6	F8117601	Screw	
7	70030501	Expansion Clip	
8	M405535	Washer	
9	F8402801	Bolt	
10	44087201	Nut	

Door - 20 Pound Models

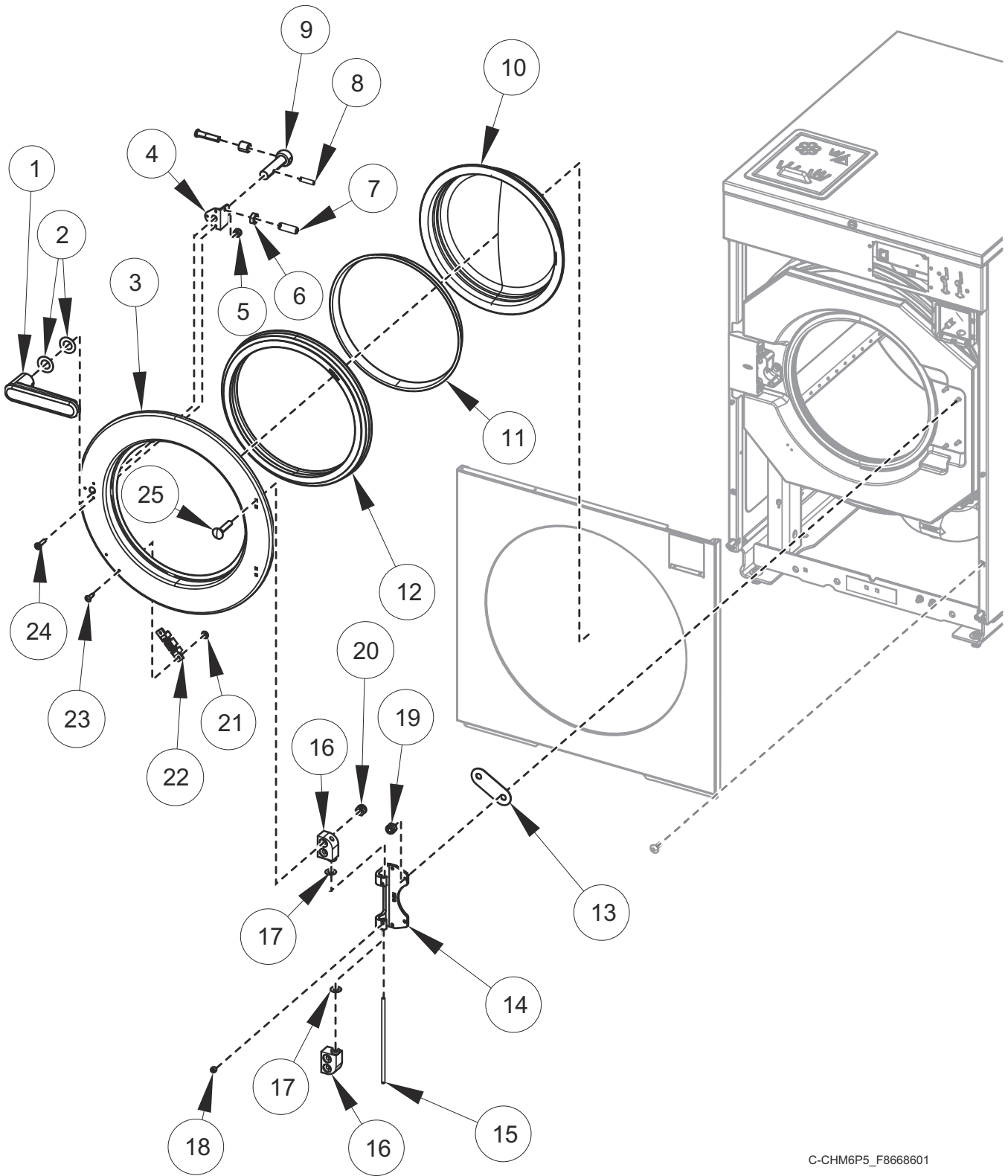


C-CHM6P5_F8668601

Door - 20 Pound Models

REF	PART NO.	DESCRIPTION	COMMENTS
	F8617201	Door Assembly	Design 4; Includes items 1-12, 14-18 and 20-25
	F8617202	Door Assembly	Design 4; Chrome; Includes items 1-12, 14-18 and 20-25
	F8617211	Door Assembly	Design 6; Includes items 1-12, 14-18 and 20-25
	F8617212	Door Assembly	Design 6; Chrome; Includes items 1-12, 14-18 and 20-25
1	F8199401P	Door Handle	Design 4; Black
	F8624603	Door Handle	Design 6; Chrome
2	F431916	Washer	
3	F8507502	Door	
	F8507501P	Door	Chrome
4	F8567501	Door Handle Spacer Kit	Includes items 6 and 7
5	F430232	Nut	
6	F431041	Nut	
7	F430532	Screw	
8	F431222	Spring Pin	
9	F8221403	Door Latch Arm Assembly	Includes latch arm shaft, latch arm support and sleeve
10	F290205P	Door Glass Kit	
11	F8583201	Door Glass Trim	Black
12	F200000202	Door Gasket	
13	F200131000P	Door Hinge Shim Kit	
14	F190216P	Door Hinge	
15	F602813-2	Rod	
16	F150271	Door Mount	
17	F431929	Washer	Non-ferrous
	F431147	Washer	
18	F430536	Screw	
19	C001236	Nut	
20	F430215	Nut	
21	F431133	Washer	
22	F8390801	Magnet	
23	F431223	Pop Rivet	
24	F8535501	Screw	
25	F430974	Bolt	
	F8508101	Bolt	Chrome

Door - 30 Pound Models

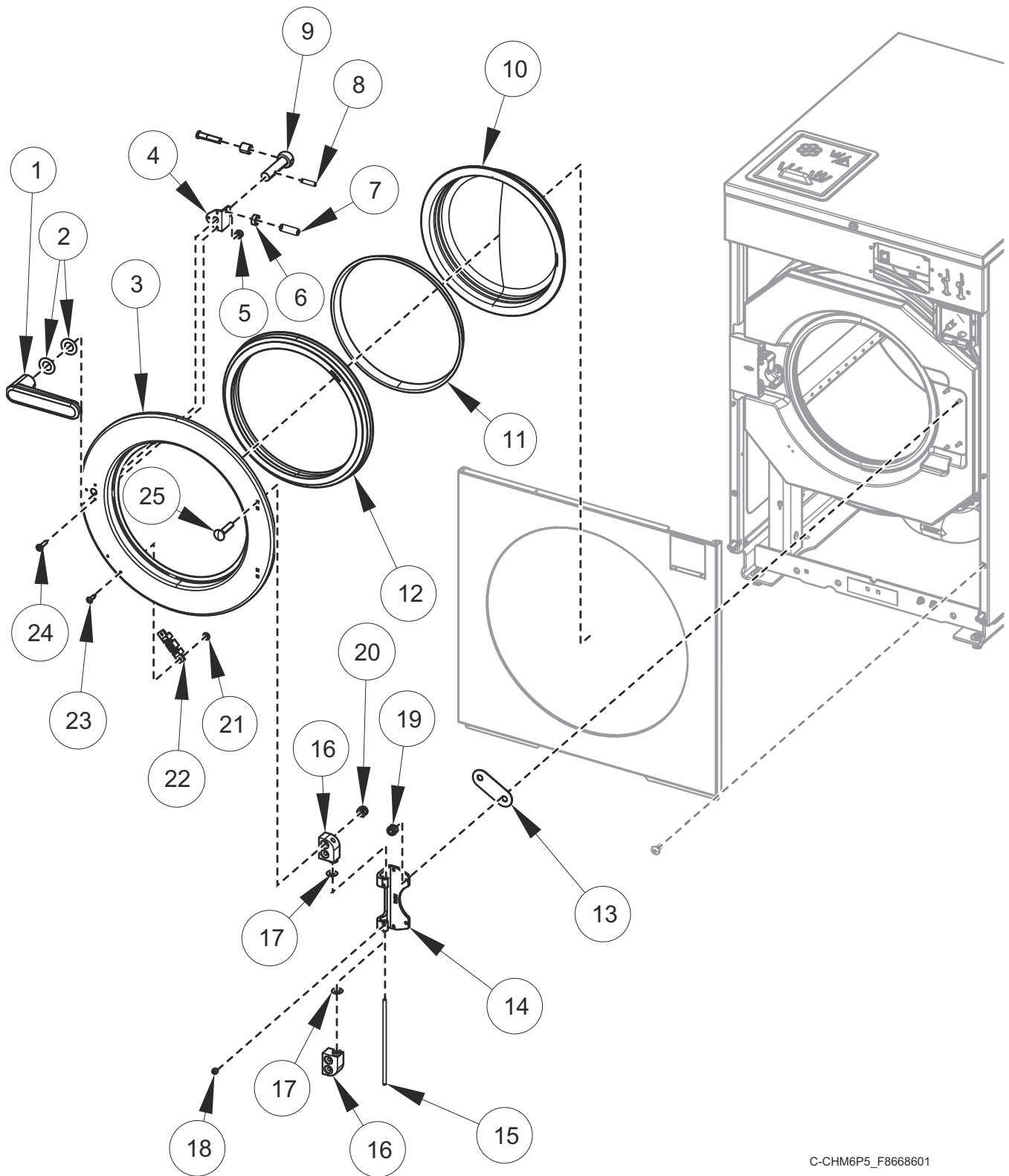


C-CHM6P5_F8668601

Door - 30 Pound Models

REF	PART NO.	DESCRIPTION	COMMENTS
	F8617301	Door Assembly	Design 4; Includes items 1-12, 14-18 and 20-25
	F8617302	Door Assembly	Design 4; Chrome; Includes items 1-12, 14-18 and 20-25
	F8617311	Door Assembly	Design 6; Includes items 1-12, 14-18 and 20-25
	F8617312	Door Assembly	Design 6; Chrome; Includes items 1-12, 14-18 and 20-25
1	F8199401P	Door Handle	Design 4; Black
	F8624603	Door Handle	Design 6; Chrome
2	F431916	Washer	
3	F8507602	Door	
	F8507601	Door	Chrome
4	F8567501	Door Handle Spacer Kit	
5	F430232	Nut	
6	F431041	Nut	
7	F430533	Screw	
8	F431222	Spring Pin	
9	F8221403	Door Latch Arm Assembly	Includes latch arm shaft, latch arm support and sleeve
10	F8485301P	Door Glass	
11	F8583202	Door Glass Trim	Black
12	F8111602	Door Gasket	
13	F200131000P	Door Hinge Shim Kit	
14	F190216P	Door Hinge	
15	F602813-2	Rod	
16	F150271	Door Mount	
17	F431929	Washer	Non-ferrous
	F431147	Washer	
18	F430536	Screw	
19	C001236	Nut	
20	F430215	Nut	
21	F431133	Washer	
22	F8390801	Magnet	
23	F431223	Pop Rivet	
24	F8535501	Screw	
25	F430974	Bolt	
	F8508101	Bolt	Chrome

Door - 40 and 60 Pound Models

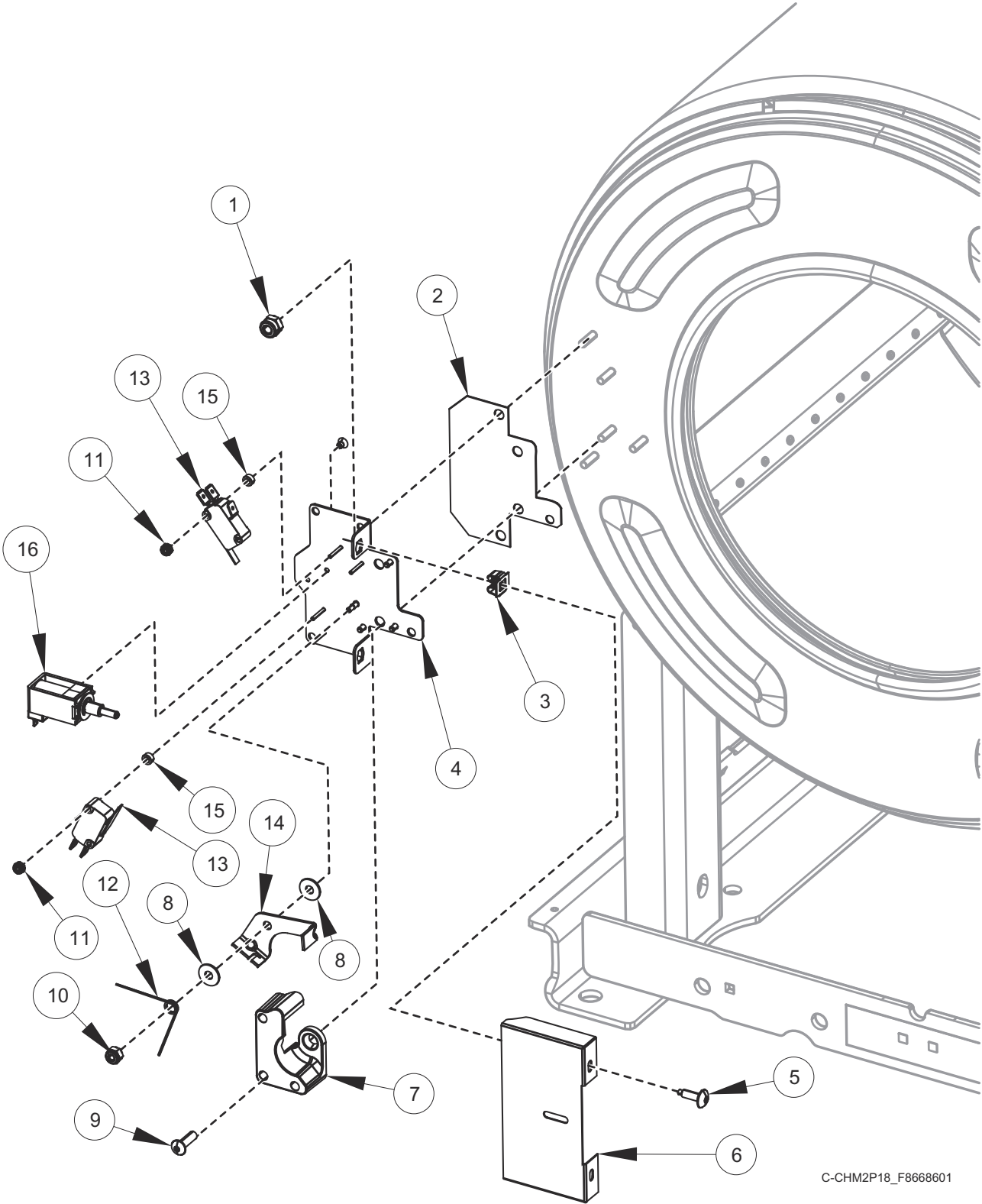


C-CHM6P5_F8668601

Door - 40 and 60 Pound Models

REF	PART NO.	DESCRIPTION	COMMENTS
	F8617401	Door Assembly	Design 4; Includes items 1-12, 14-18 and 20-25
	F8617402	Door Assembly	Design 4; Chrome; Includes items 1-12, 14-18 and 20-25
	F8617411	Door Assembly	Design 6; Includes items 1-12, 14-18 and 20-25
	F8617412	Door Assembly	Design 6; Chrome; Includes items 1-12, 14-18 and 20-25
1	F8199401P	Door Handle	Black
2	F431916	Washer	
3	F8507702	Door	Design 4
	F8507701	Door	Chrome; Design 4
	F8507701	Door	Design 6
4	F8567501	Door Handle Spacer Kit	
5	F430232	Nut	
6	F431041	Nut	
7	F430533	Screw	
8	F431222	Spring Pin	
9	F8221403	Door Latch Arm Assembly	Includes latch arm shaft, latch arm support and sleeve
10	F8485401P	Door Glass	
11	F8583203	Door Glass Trim	Black
12	F8111502	Door Gasket	
13	F200131000P	Door Hinge Shim Kit	
14	F190216P	Door Hinge	
15	F602813-3	Rod	
16	F150271	Door Mount	
17	F431929	Washer	Non-ferrous
	F431147	Washer	
18	F430536	Screw	
19	C001236	Nut	
20	F430215	Nut	
21	F431133	Washer	
22	F8390801	Magnet	
23	F431223	Pop Rivet	
24	F8535501	Screw	
25	F430974	Bolt	
	F8508101	Bolt	Chrome

Door Lock

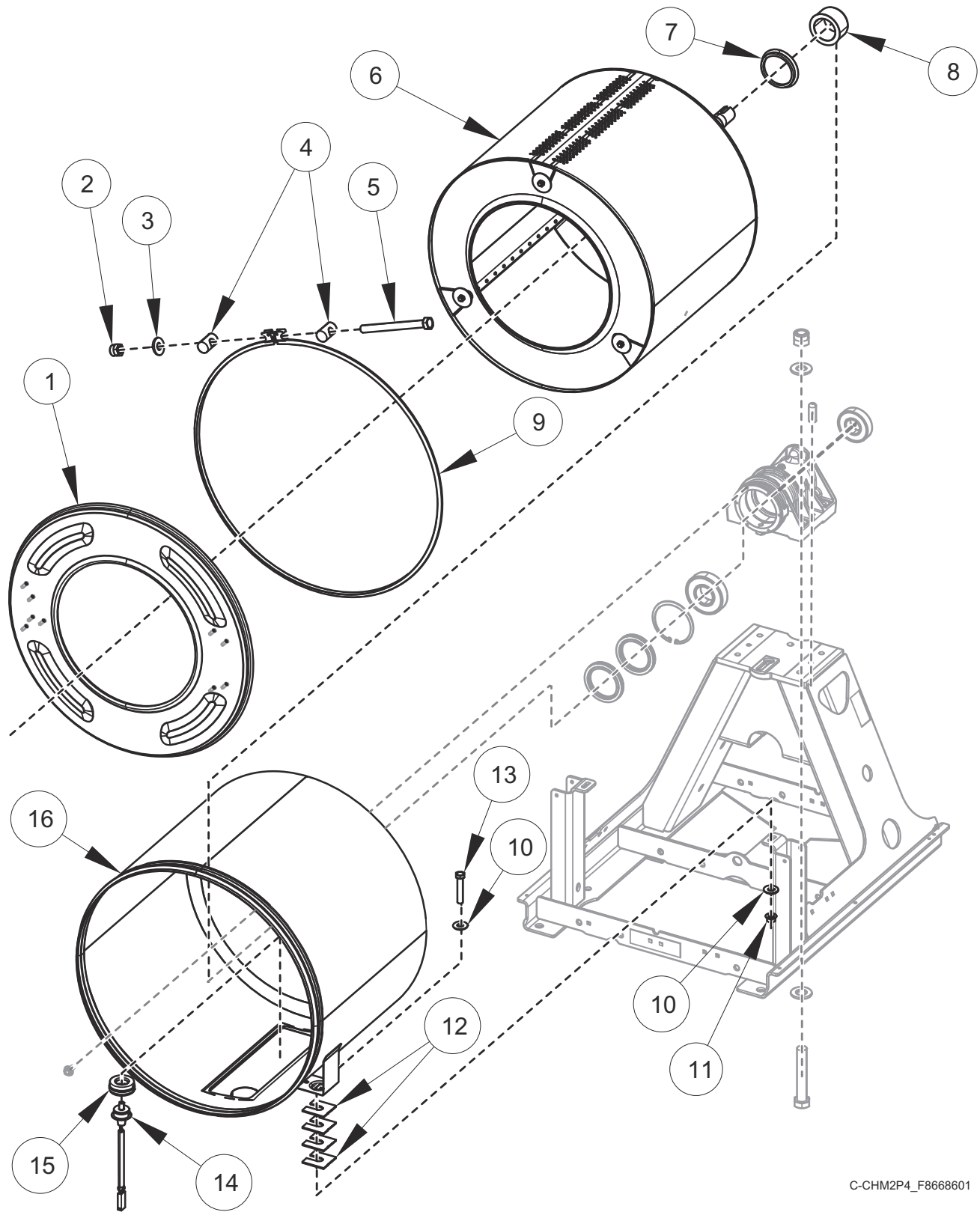


C-CHM2P18_F8668601

Door Lock

REF	PART NO.	DESCRIPTION	COMMENTS
	F8632401	Door Lock Assembly	Includes items 3, 4 and 10-16
	F8520201	Door Lock Harness	20 and 30 pound models
	F8520202	Door Lock Harness	40 and 60 pound models
	F8066804	Reed Switch Assembly	
1	F431024	Nut	
2	F8344401	Door Lock Plate Shim	
3	70030501	Expansion Clip	
4	F8223202	Door Lock Plate Assembly	
5	F8117601	Screw	
6	F8245001	Door Lock Cover	
7	F8344501	Door Lock Catch	
8	F8193101	Washer	
9	F8270701	Bolt	
10	F430232	Nut	
11	F430225	Nut	
12	F8070301	Torsion/Door Lock Spring	
13	F200203200	Door Lock Microswitch	
14	F8223401	Door Lock Switch Lever	
15	F431901	Spacer	
16	F977P3	Door Lock Solenoid Replacement Kit	

Shell Front, Basket, Shell and Frame Template

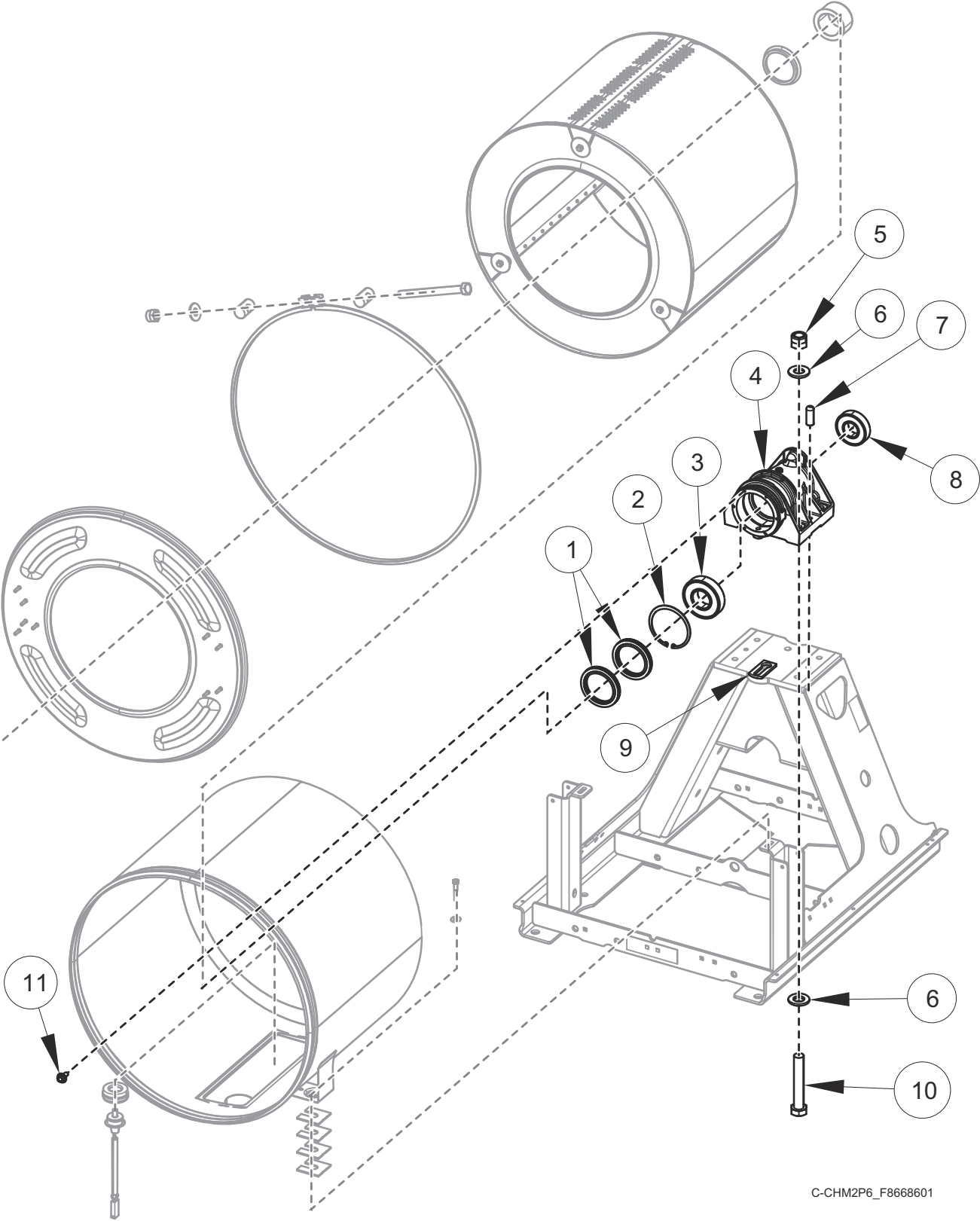


C-CHM2P4_F8668601

Shell Front, Basket, Shell and Frame Template

REF	PART NO.	DESCRIPTION	COMMENTS
	F8598301	Harness	Thermistor; 20 and 30 pound models
	F8598302	Harness	Thermistor; 40 and 60 pound models
1	F8222301	Shell Front	20 pound models
	F8222401	Shell Front	30 pound models
	F8222501	Shell Front	40 pound models
	F8222601	Shell Front	60 pound models
2	F430218	Nut	
3	M400080	Washer	
4	F8302701	Pin	
5	F8673701	Screw	
6	F8391304	Basket	20 pound models; Viton
	F8391302	Basket	20 pound models; Rain
	F8391504	Basket	30 pound models; Viton
	F8391502	Basket	30 pound models; Rain
	F8391704	Basket	40 pound models; Viton
	F8391702	Basket	40 pound models; Rain
	F8502805	Basket	60 pound models; Viton
	F8502802	Basket	60 pound models; Rain
7	F8337002	Excluder Seal	
8	F8343906P	Shaft Seal Sleeve Kit	
9	F8537801	Shell Band Kit	20 pound models; Includes items 2-5
	F8537802	Shell Band Kit	30 pound models; Includes items 2-5
	F8537803	Shell Band Kit	40 pound models; Includes items 2-5
	F8537804	Shell Band Kit	60 pound models; Includes items 2-5
10	M400081	Washer	
11	44087301	Nut	
12	F8402701	Washer	
13	F8621601	Screw	
14	F8538801	Thermistor	
15	2251000400	Temperature Probe Grommet	
16	F8512102	Shell	20 pound models; Electric and dual heat
	F8514002	Shell	30 pound models; Electric and dual heat
	F8512202	Shell	40 pound models; Electric and dual heat
	F8543702	Shell	60 pound models; Electric and dual heat
	F8512202	Shell	40 pound models; Steam Heat
	F8543702	Shell	60 pound models; Steam Heat
	F8512101	Shell	20 pound models; Standard
	F8514001	Shell	30 pound models; Standard
	F8512201	Shell	40 pound models; Standard
	F8543701	Shell	60 pound models; Standard

Bearing Housing

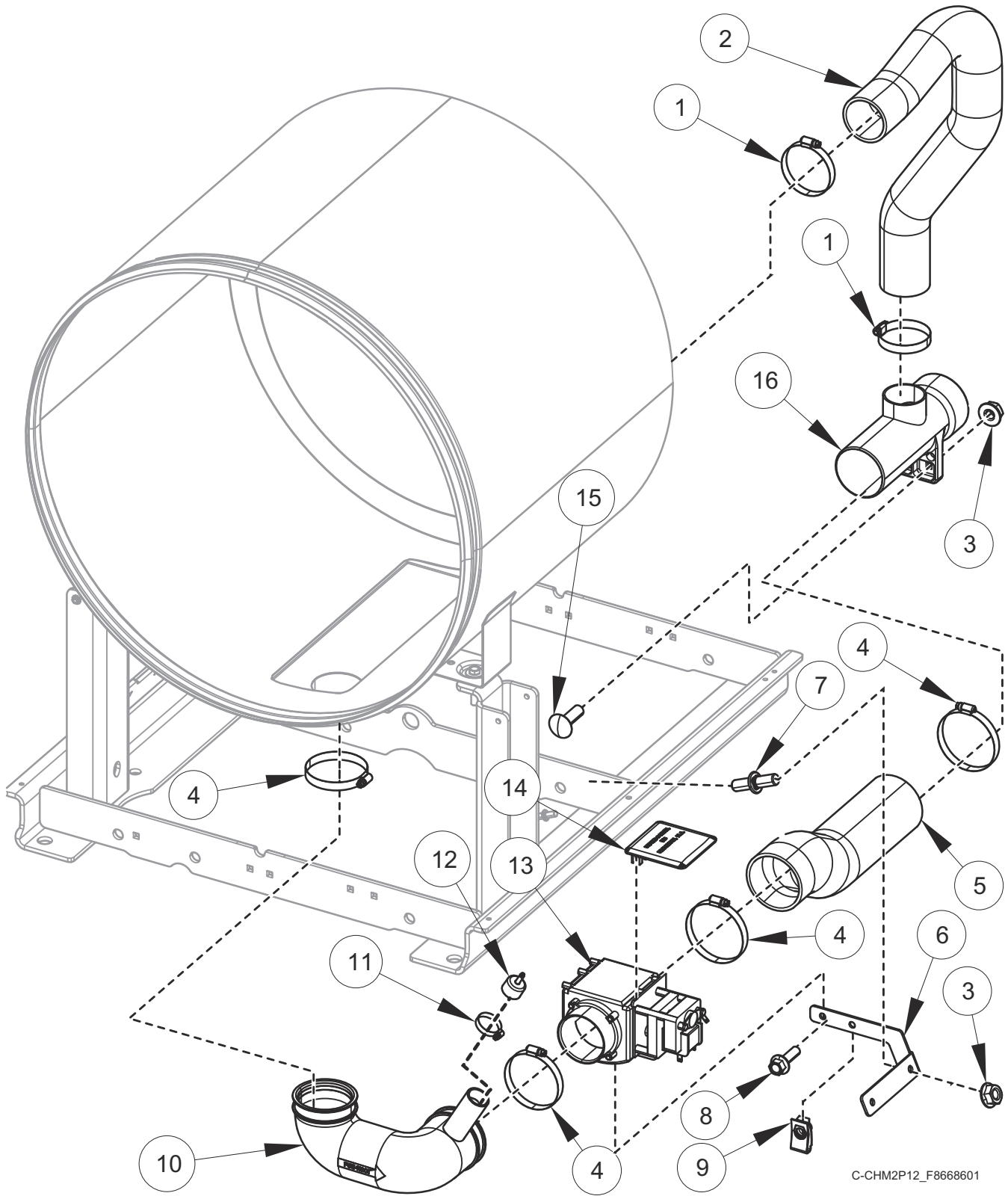


C-CHM2P6_F8668601

Bearing Housing

REF	PART NO.	DESCRIPTION	COMMENTS
	F8271601P	Bearing Housing Assembly	20 pound models; Includes items 1-4 and 8; Standard
	F8271602	Bearing Housing Assembly	20 pound models; Includes items 1-4 and 8; Viton
	F8271701P	Bearing Housing Assembly	30 pound models; Includes items 1-4 and 8; Standard
	F8271702	Bearing Housing Assembly	30 pound models; Includes items 1-4 and 8; Viton
	F8271801P	Bearing Housing Assembly	40 pound models; Includes items 1-4 and 8; Standard
	F8271802	Bearing Housing Assembly	40 pound models; Includes items 1-4 and 8; Viton
	F8271901P	Bearing Housing Assembly	60 pound models; Includes items 1-4 and 8; Standard
	F8271902	Bearing Housing Assembly	60 pound models; Includes items 1-4 and 8; Viton
1	F8203801	Triple Lip Seal	20 pound models; Standard
	F8203813	Triple Lip Seal	20 pound models; Viton
	F8203802	Triple Lip Seal	30 pound models; Standard
	F8203814	Triple Lip Seal	30 pound models; Viton
	F8203803	Triple Lip Seal	40 pound models; Standard
	F8203815	Triple Lip Seal	40 pound models; Viton
	F8203806	Triple Lip Seal	60 pound models; Standard
	F8203816	Radial Lip Seal	60 pound models; Viton
2	F8344901	Retaining Ring	20 pound models
	F8345001	Retaining Ring	30 pound models
	F8337801	Retaining Ring	40 pound models
	F8337901	Retaining Ring	60 pound models
3	F100137P	Bearing	20 and 40 pound models
	F100123P	Bearing	30 pound models
	F100135	Bearing	60 pound models
4	F8247902	Bearing Housing	20 pound models
	F8246802	Bearing Housing	30 pound models
	F8249902	Bearing Housing	40 pound models
	F8250902	Bearing Housing	60 pound models
5	F8387701	Nut	
6	F430339	Washer	
7	F8388201	Dowel Pin	
8	F100136P	Bearing	20 pound models
	F100108	Bearing	30 pound models
	F100134	Bearing	40 and 60 pound models
9	F8350302	Seal Scupper Pad	
10	F8368801	Screw	
11	F8442702	Screw	

Drain Plumbing

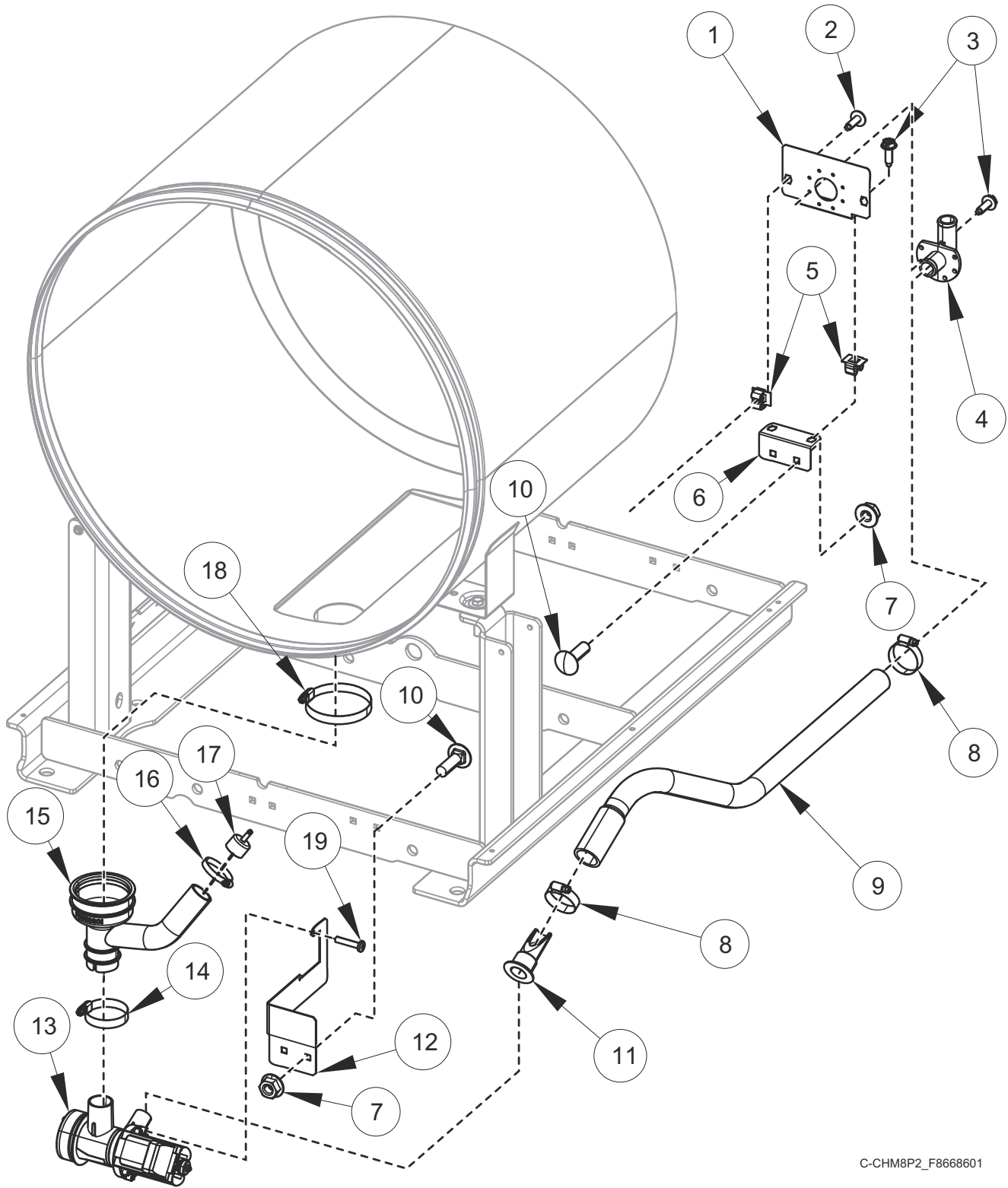


C-CHM2P12_F8668601

Drain Plumbing

REF	PART NO.	DESCRIPTION	COMMENTS
	F8520001	Drain Valve Harness	20 and 30 pound models
	F8520002	Drain Valve Harness	40 and 60 pound models
	F200165100	Drain Hose	
1	F200213	Hose Clamp	
2	F8522401	Overflow Hose	20 pound models
	F8521201	Overflow Hose	30 pound models
	F8522501	Overflow Hose	40 and 60 pound models
3	44087201	Nut	
4	F200201	Hose Clamp	
5	F8587301	Rear Drain Hose	20 pound models
	F8543001	Rear Drain Hose	30 pound models
	F8543201	Rear Drain Hose	40 pound models
	F8543501	Rear Drain Hose	60 pound models
6	F8587701	Drain Valve Bracket	20 pound models
	F8543101	Drain Valve Bracket	30 pound models
	F8543301	Drain Valve Bracket	40 pound models
	F8543401	Drain Valve Bracket	60 pound models
7	70334702	Stud	
8	202175	Screw	
9	70030401	Nut	
10	F8542002	Drain Hose	20 pound models
	F8541901	Drain Hose	30, 40 and 60 pound models
	F8542001	Drain Hose	40 and 60 pound models; Steam and electric heat
11	36802	Hose Clamp	
12	F8579301	Pressure Cap	
13	F200166302	Drain Valve Kit	3 inch; 120 Volt; Left; NO; Includes item 14
	F8406308	Drain Valve	3 inch; 120 Volt; Right; NO
	F200166402	Drain Valve Kit	3 inch; 230 Volt; Left; NO; Includes item 14
	F8577201	Drain Valve Kit	3 inch; 230 Volt; Right; NO; Includes item 14
14	F200133600	Drain Valve Cover	
15	F8402801	Bolt	
16	F150398	Drain Tee	

Pump Drain Plumbing - 20, 30 and 40 Pound Models

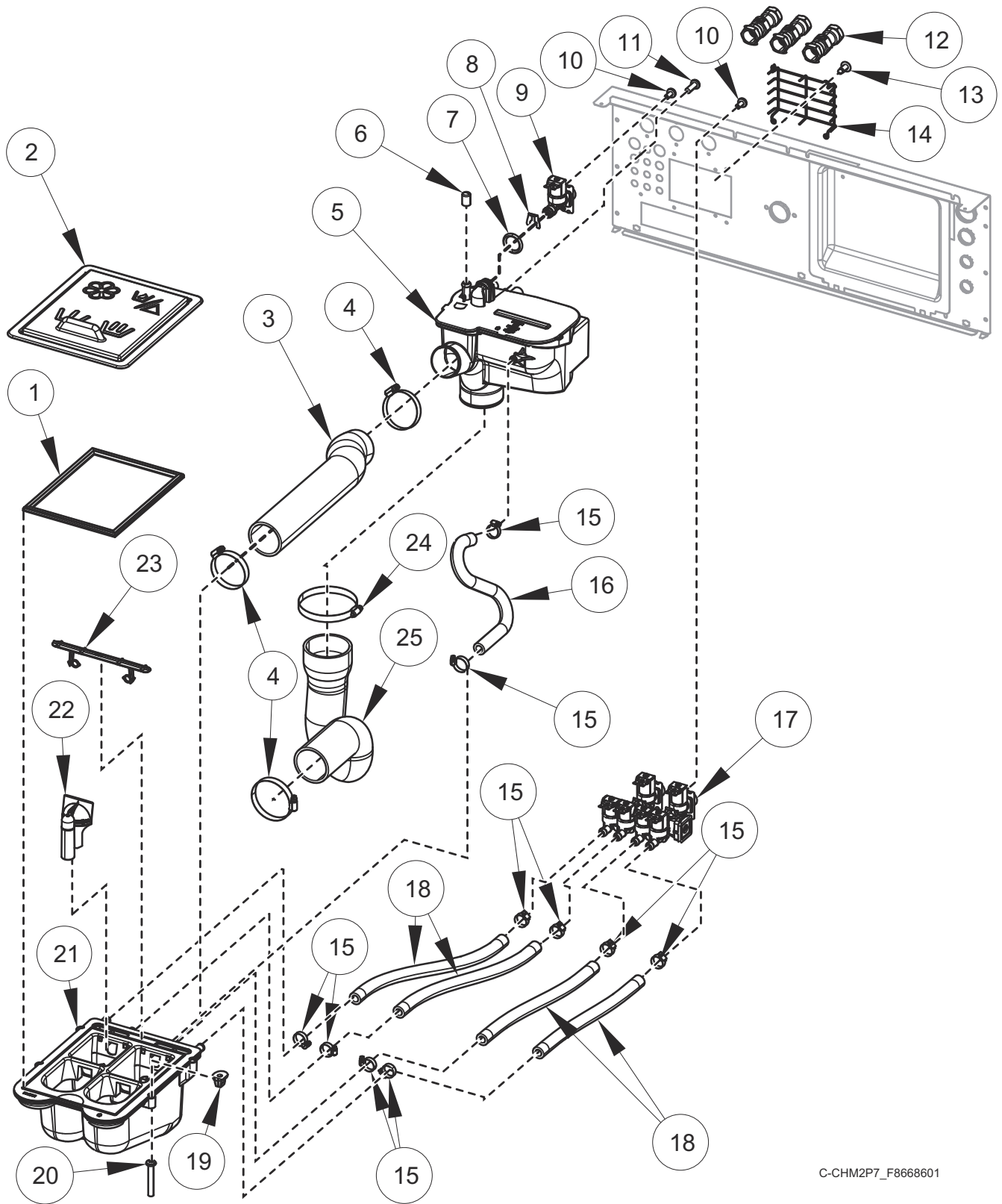


C-CHM8P2_F8668601

Pump Drain Plumbing - 20, 30 and 40 Pound Models

REF	PART NO.	DESCRIPTION	COMMENTS
	27154	Drain Hose	Hose to standpipe
	F150352	Overflow Plug	20 pound models
	F8520001	Drain Valve Harness	20 and 30 pound models
	F8520002	Drain Valve Harness	40 pound models
1	F8571301	Bracket	Upper; Elbow mount
2	F8117601	Screw	
3	F8206901	Screw	
4	35766	Drain Hose Elbow	
5	70030501	Expansion Clip	
6	F8571401	Bracket	Lower; Elbow mount
7	44087201	Nut	
8	F200204	Hose Clamp	
9	F8537001	Pump Drain Rear Hose	20 pound models
	F8557001	Pump Drain Rear Hose	30 pound models
	F8557201	Pump Drain Rear Hose	40 pound models
10	F8402801	Bolt	
11	800310	Backflow Preventer	
12	F8536901	Pump Drain Bracket	20 pound models
	F8557101	Pump Drain Bracket	30 pound models
	F8557301	Pump Drain Bracket	40 pound models
13	805723	Pump Drain and Bracket Assembly	120 Volt/60 Hertz; Green
	805613	Pump Drain and Bracket Assembly	208-240 Volt/60 Hertz; Red
	804038	Pump Drain and Bracket Assembly	220-240 Volt/50 Hertz; Blue
14	F200215	Hose Clamp	
15	F8556601	Pump Drain Hose	
16	36802	Hose Clamp	
17	F8579301	Pressure Cap	
18	F200219	Hose Clamp	
19	F8658501	Screw	

Fill Plumbing - 20 Pound Models

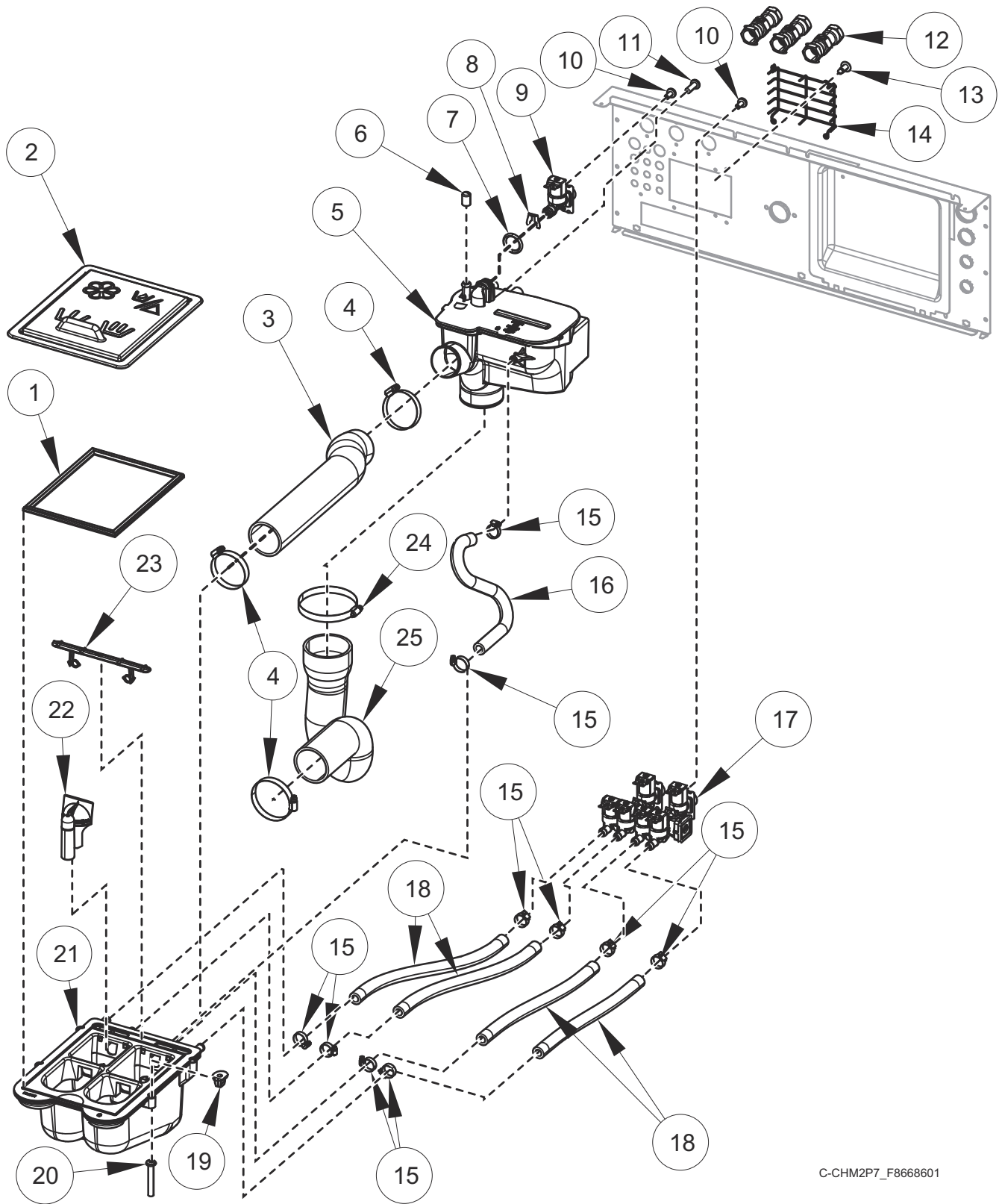


C-CHM2P7_F8668601

Fill Plumbing - 20 Pound Models

REF	PART NO.	DESCRIPTION	COMMENTS
	F8047403	Dispenser	Includes Items 21-23
	F8520101	Fill Valve Harness	
	F8665601	Water Hose Kit	Standard thread; Red (hot); Includes 20290 Washer and 803615 Washer Filter
	F8665603	Water Hose Kit	Standard thread; Blue (cold); Includes 20290 Washer and 803615 Washer Filter
	F8665602	Water Hose Kit	Metric thread; Red (hot); Includes 20290 Washer and 803615 Washer Filter
	F8665604	Water Hose Kit	Metric thread; Blue (cold); Includes 20290 Washer and 803615 Washer Filter
	F8671201	Fill Hose Kit	WRAS; Includes item 12 and F8665602 Water Hose Kit
	F8671202	Fill Hose Kit	WRAS; Includes item 12 and F8665604 Water Hose Kit
	F8671101	Fill Hose Kit	Australian watermark; Includes F8665602 Water Hose Kit and B12543901 Check Valve
	F8671102	Fill Hose Kit	Australian watermark; Includes F8665604 Water Hose Kit and B12543901 Check Valve
1	B12568601	Dispenser Gasket	
2	F8563204	Dispenser Cover	Black; Icons and text
	F8563203	Dispenser Cover	Gray; Icons and text
	F8563202	Dispenser Cover	Black; Icons
	F8563201	Dispenser Cover	Gray; Icons
3	F8529401	Supply Vacuum Hose	
4	F200213	Hose Clamp	
5	F8517503	Vacuum Breaker Assembly	With inlet and fill
	F8517502	Vacuum Breaker Assembly	With inlet
	F8517501	Vacuum Breaker Assembly	With fill
	F8517504	Vacuum Breaker Assembly	
6	F8197701	Cap	WRAS
7	F8569101	O-Ring	
8	F8566801	Clip	
9	F8565201	Valve	Standard
	F8565202	Valve	Metric
10	F8230301	Screw	
11	800548	Screw	
12	F8301201	Double Check Valve	WRAS
13	70058501	Pop Rivet	
14	F8589601	Vacuum Breaker Guard	
15	36801	Hose Clamp	
16	F8616401	Rear Vent Hose	
17	F8529701	Manifold Valve	Standard
	F8529702P	Manifold Valve	Metric
18	F8232007	Hose	
19	F0431807-00	Nut	
20	F8535601	Screw	
21	F8437902	Dispenser Weldment	
22	F8047901	Siphon Cover	
23	F8047801	Access Cover	
24	F200201	Hose Clamp	
25	F8529601	P-Trap Hose	

Fill Plumbing - 30 Pound Models

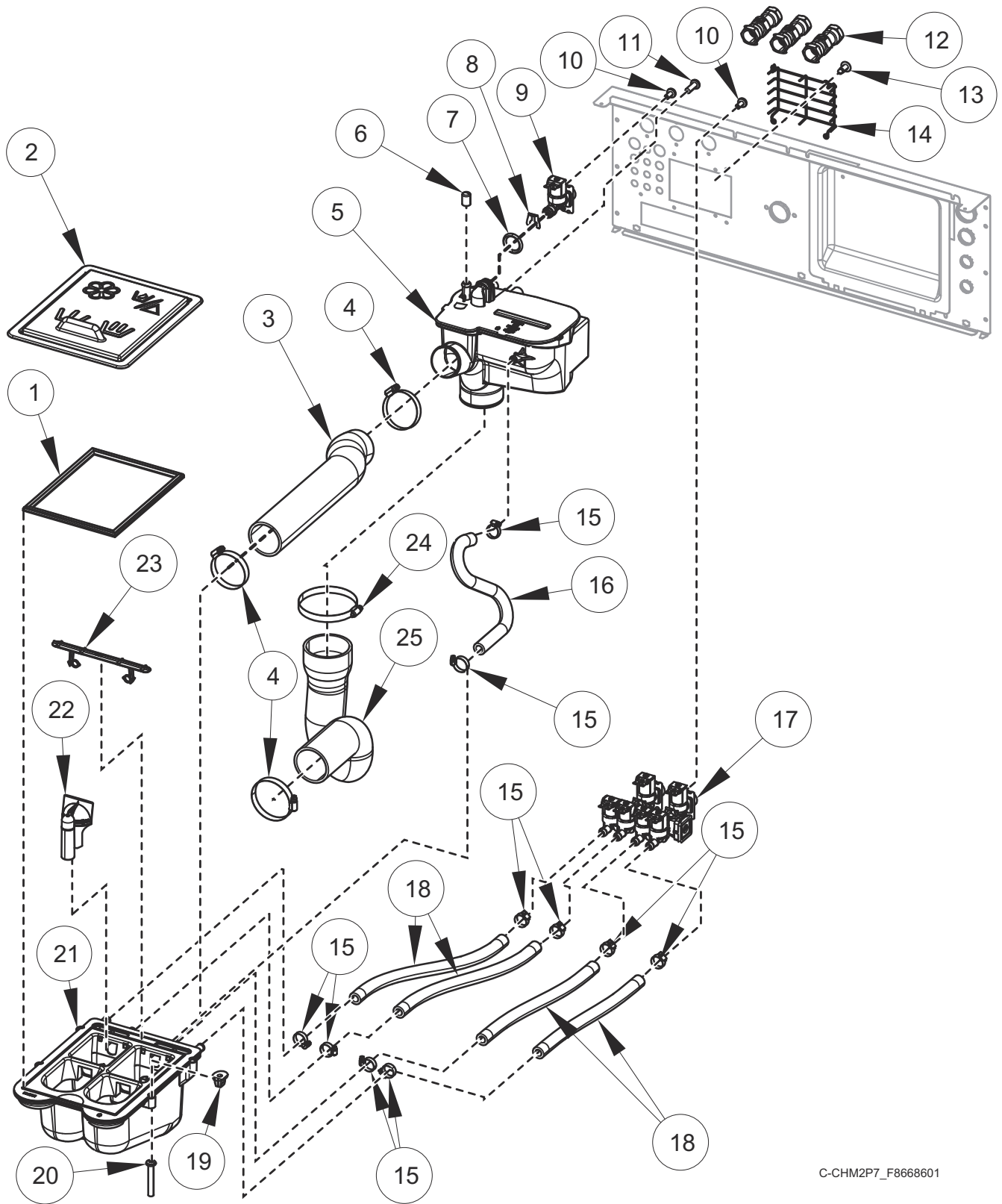


C-CHM2P7_F8668601

Fill Plumbing - 30 Pound Models

REF	PART NO.	DESCRIPTION	COMMENTS
	F8047403	Dispenser	Includes Items 21-23
	F8520101	Fill Valve Harness	
	F8665601	Water Hose Kit	Standard thread; Red (hot); Includes 20290 Washer and 803615 Washer Filter
	F8665603	Water Hose Kit	Standard thread; Blue (cold); Includes 20290 Washer and 803615 Washer Filter
	F8665602	Water Hose Kit	Metric thread; Red (hot); Includes 20290 Washer and 803615 Washer Filter
	F8665604	Water Hose Kit	Metric thread; Blue (cold); Includes 20290 Washer and 803615 Washer Filter
	F8671201	Fill Hose Kit	WRAS; Includes item 12 and F8665602 Water Hose Kit
	F8671202	Fill Hose Kit	WRAS; Includes item 12 and F8665604 Water Hose Kit
	F8671101	Fill Hose Kit	Australian watermark; Includes F8665602 Water Hose Kit and B12543901 Check Valve
	F8671102	Fill Hose Kit	Australian watermark; Includes F8665604 Water Hose Kit and B12543901 Check Valve
1	B12568601	Dispenser Gasket	
2	F8563204	Dispenser Cover	Black; Icons and text
	F8563203	Dispenser Cover	Gray; Icons and text
	F8563202	Dispenser Cover	Black; Icons
	F8563201	Dispenser Cover	Gray; Icons
3	F8529402	Supply Vacuum Hose	
4	F200213	Hose Clamp	
5	F8517503	Vacuum Breaker Assembly	With inlet and fill
	F8517502	Vacuum Breaker Assembly	With inlet
	F8517501	Vacuum Breaker Assembly	With fill
	F8517504	Vacuum Breaker Assembly	
6	F8197701	Cap	WRAS
7	F8569101	O-Ring	
8	F8566801	Clip	
9	F8565201	Valve	Standard
	F8565202	Valve	Metric
10	F8230301	Screw	
11	800548	Screw	
12	F8301201	Double Check Valve	WRAS
13	70058501	Pop Rivet	
14	F8589601	Vacuum Breaker Guard	
15	36801	Hose Clamp	
16	F8616402	Rear Vent Hose	
17	F8529701	Manifold Valve	Standard
	F8529702P	Manifold Valve	Metric
18	F8232011	Hose	
19	F0431807-00	Nut	
20	F8535601	Screw	
21	F8437902	Dispenser Weldment	
22	F8047901	Siphon Cover	
23	F8047801	Access Cover	
24	F200201	Hose Clamp	
25	F8529602	P-Trap Hose	

Fill Plumbing - 40 Pound Models

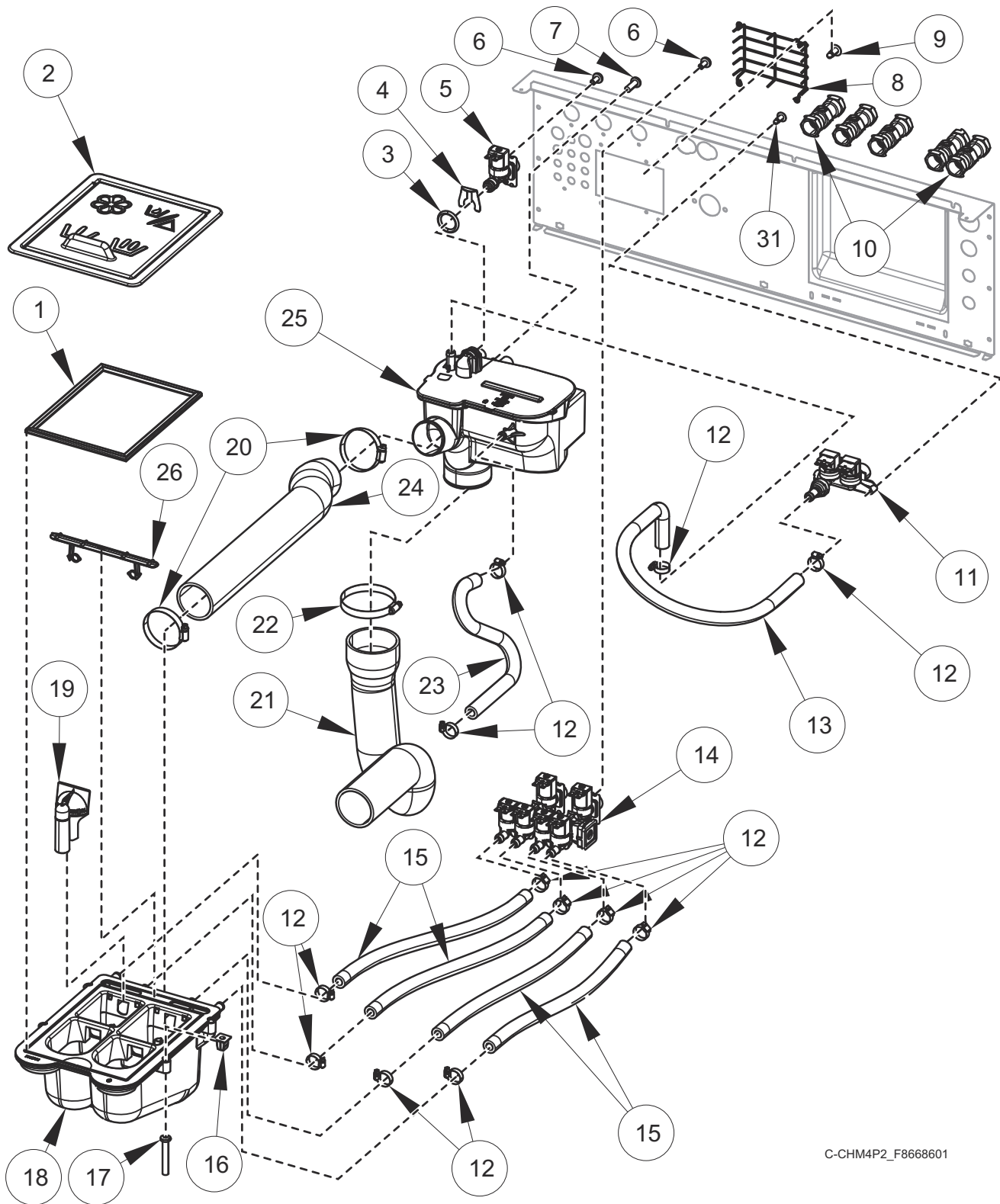


C-CHM2P7_F8668601

Fill Plumbing - 40 Pound Models

REF	PART NO.	DESCRIPTION	COMMENTS
	F8047403	Dispenser	Includes Items 21-23
	F8520101	Fill Valve Harness	
	F8665601	Water Hose Kit	Standard thread; Red (hot); Includes 20290 Washer and 803615 Washer Filter
	F8665603	Water Hose Kit	Standard thread; Blue (cold); Includes 20290 Washer and 803615 Washer Filter
	F8665602	Water Hose Kit	Metric thread; Red (hot); Includes 20290 Washer and 803615 Washer Filter
	F8665604	Water Hose Kit	Metric thread; Blue (cold); Includes 20290 Washer and 803615 Washer Filter
	F8671201	Fill Hose Kit	WRAS; Includes item 12 and F8665602 Water Hose Kit
	F8671202	Fill Hose Kit	WRAS; Includes item 12 and F8665604 Water Hose Kit
	F8671101	Fill Hose Kit	Australian watermark; Includes F8665602 Water Hose Kit and B12543901 Check Valve
	F8671102	Fill Hose Kit	Australian watermark; Includes F8665604 Water Hose Kit and B12543901 Check Valve
1	B12568601	Dispenser Gasket	
2	F8563204	Dispenser Cover	Black; Icons and text
	F8563203	Dispenser Cover	Gray; Icons and text
	F8563202	Dispenser Cover	Black; Icons
	F8563201	Dispenser Cover	Gray; Icons
3	F8529403	Supply Vacuum Hose	
4	F200213	Hose Clamp	
5	F8517503	Vacuum Breaker Assembly	With inlet and fill
	F8517502	Vacuum Breaker Assembly	With inlet
	F8517501	Vacuum Breaker Assembly	With fill
	F8517504	Vacuum Breaker Assembly	
6	F8197701	Cap	WRAS
7	F8569101	O-Ring	
8	F8566801	Clip	
9	F8565201	Valve	Standard
	F8565202	Valve	Metric
10	F8230301	Screw	
11	800548	Screw	
12	F8301201	Double Check Valve	WRAS
13	70058501	Pop Rivet	
14	F8589601	Vacuum Breaker Guard	
15	36801	Hose Clamp	
16	F8616402	Rear Vent Hose	
17	F8529701	Manifold Valve	Standard
	F8529702P	Manifold Valve	Metric
18	F8232010	Hose	
19	F0431807-00	Nut	
20	F8535601	Screw	
21	F8437902	Dispenser Weldment	
22	F8047901	Siphon Cover	
23	F8047801	Access Cover	
24	F200201	Hose Clamp	
25	F8529603	P-Trap Hose	

Fill Plumbing - 60 Pound Models

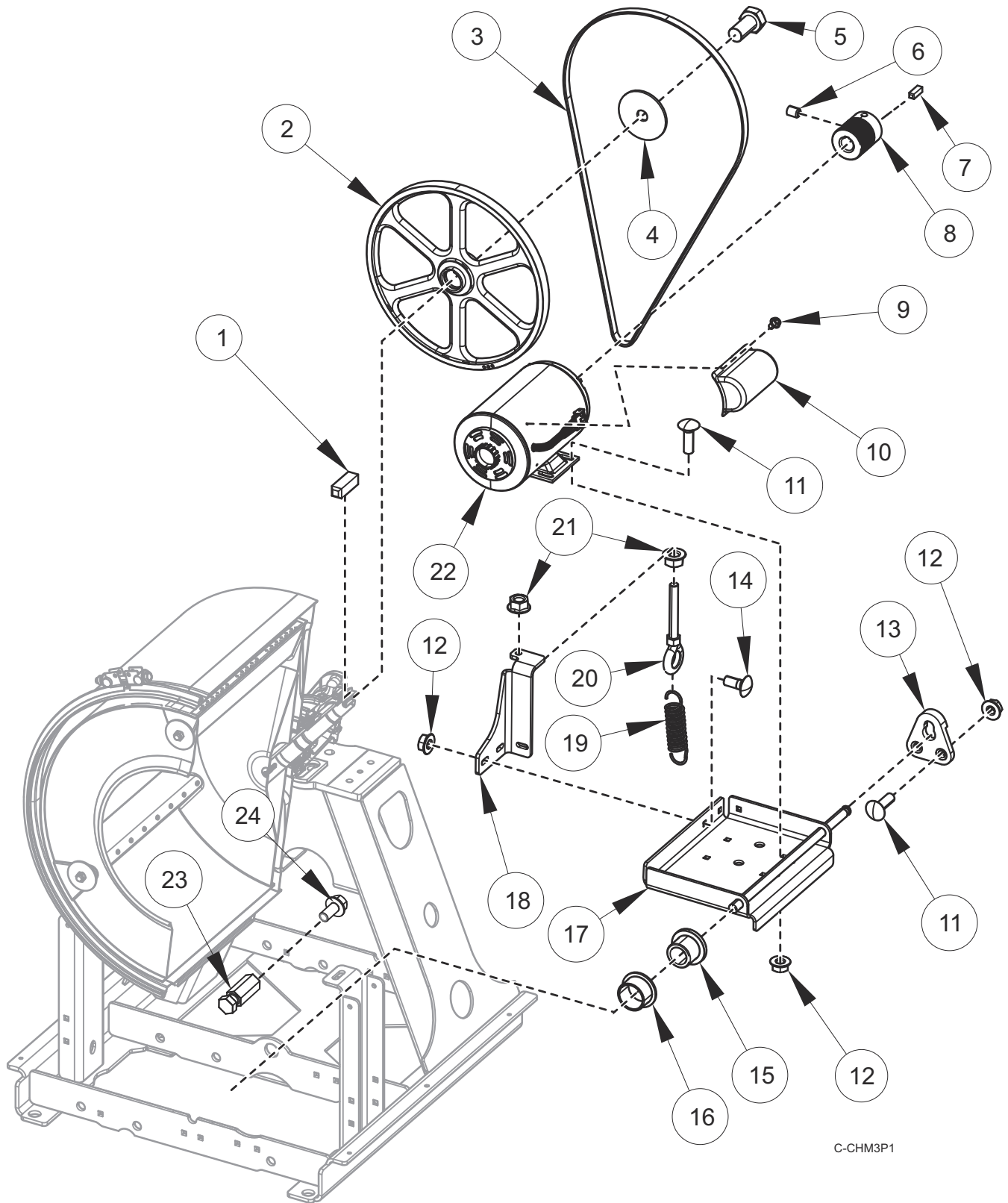


C-CHM4P2_F8668601

Fill Plumbing - 60 Pound Models

REF	PART NO.	DESCRIPTION	COMMENTS
	F8047403	Dispenser	Includes Items 18, 19 and 26
	F8520102	Fill Valve Harness	
	223/00243/00	Y-Connector	
	F8665601	Water Hose Kit	Standard thread; Red (hot); Includes 20290 Washer and 803615 Washer Filter
	F8665603	Water Hose Kit	Standard thread; Blue (cold); Includes 20290 Washer and 803615 Washer Filter
	F8665602	Water Hose Kit	Metric thread; Red (hot); Includes 20290 Washer and 803615 Washer Filter
	F8665604	Water Hose Kit	Metric thread; Blue (cold); Includes 20290 Washer and 803615 Washer Filter
	F8671201	Fill Hose Kit	WRAS; Includes item 11 and F8665602 Water Hose Kit
	F8671202	Fill Hose Kit	WRAS; Includes item 11 and F8665604 Water Hose Kit
	F8671101	Fill Hose Kit	Australian watermark; Includes F8665602 Water Hose Kit and B12543901 Check Valve
	F8671102	Fill Hose Kit	Australian watermark; Includes F8665604 Water Hose Kit and B12543901 Check Valve
1	B12568601	Dispenser Gasket	
2	F8563204	Dispenser Cover	Black; Icons and text
	F8563203	Dispenser Cover	Gray; Icons and text
	F8563202	Dispenser Cover	Black; Icons
	F8563201	Dispenser Cover	Gray; Icons
3	F8569101	O-Ring	
4	F8566801	Clip	
5	F8565201	Valve	3/4 inch; Standard
	F8565202	Valve	3/4 inch; Metric
6	F8230301	Screw	
7	800548	Screw	
8	F8589601	Vacuum Breaker Guard	
9	70058501	Pop Rivet	
10	F8301201	Double Check Valve	WRAS
11	F8434003	Mixing Valve	Standard
	F8434004	Mixing Valve	Metric
12	36801	Hose Clamp	
13	F8598501	Auxiliary Fill Hose	
14	F8529701	Manifold Valve	Standard
	F8529702P	Manifold Valve	Metric
15	F8232012	Hose	
16	F0431807-00	Nut	
17	F8535601	Screw	
18	F8437902	Dispenser Weldment	
19	F8047901	Siphon Cover	
20	F200213	Hose Clamp	
21	F8529604	P-Trap Hose	
22	F200201	Hose Clamp	
23	F8616404	Rear Vent Hose	
24	F8529404	Supply Vacuum Hose	
25	F8517503	Vacuum Breaker Assembly	With inlet and fill
	F8517502	Vacuum Breaker Assembly	With inlet; WRAS
	F8517501	Vacuum Breaker Assembly	With fill; WRAS
	F8517504	Vacuum Breaker Assembly	
26	F8047801	Access Cover	

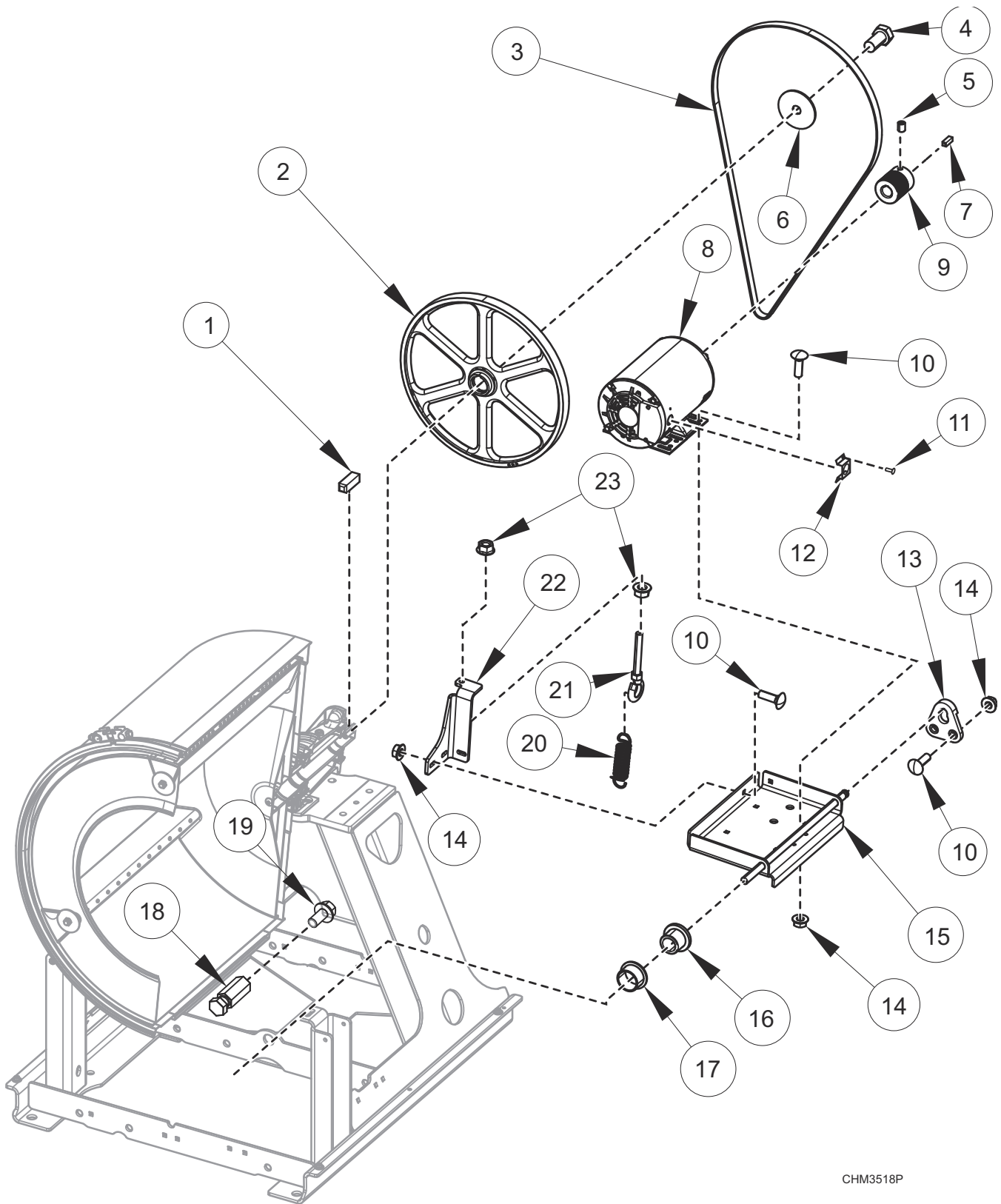
Motor, Pulley and Belt - 20 and 30 Pound Models



Motor, Pulley and Belt - 20 and 30 Pound Models

REF	PART NO.	DESCRIPTION	COMMENTS
	F8733806	Gasket	EMI 17.8 inch
	F8733801	Gasket	EMI 21 inch
	F8733802	Gasket	EMI 24 inch
	F8519001	Motor Harness	1 hp; 120-240 Volt
	F8519006	Motor Harness	1 hp; 120-240 Volt; EMI filter models through August 2021
	F8519002	Motor Harness	1 hp; 380-480 Volt
	F8519007	Motor Harness	1 hp; 380-480 Volt; EMI filter models through August 2021
	F8719401	Motor Harness	1 hp; 120-240 Volt; IEC shielded models starting September 2021
	F8719402	Motor Harness	1 hp; 380-480 Volt; IEC shielded models starting September 2021
	F8748601	Spring Stud Kit	
1	F430801	Key	
2	F8511601	Basket Pulley	20 pound models
	F8511701	Basket Pulley	30 pound models
3	F8382811	Belt	20 pound models; Poly-V; 560J6
	F8382812	Belt	30 pound models; Poly-V; 690J6
4	F431115	Washer	
5	F8574001	Screw	
6	M400077	Set Screw	
7	H8752006H	Key	
8	F8525301	Motor Pulley	
9	23222	Screw	
10	70521901	Motor Conduit Mounting Bracket	models through August 2021
	F8732401	Motor Conduit Mounting Bracket	models starting September 2021
11	F8402801	Bolt	
12	44087201	Nut	
13	F8441101	Motor Rod Plate	
14	70062401	Bolt	
15	F8535202	Flanged Isolator	
16	F8333302	Flanged Bushing	
17	F8589001	Motor Bracket Weldment	
18	F8581201	Spring Bracket	
19	F310124	Extension Spring	
20	F8319503	Eye Bolt	
21	44087301	Nut	
22	F8509601P	Motor	1 hp; 230 Volt
	F8509701	Motor	1 hp; 460 Volt
23	F8634701	Stud	
24	70126104	Screw	

Motor, Pulley and Belt - 40 and 60 Pound Models

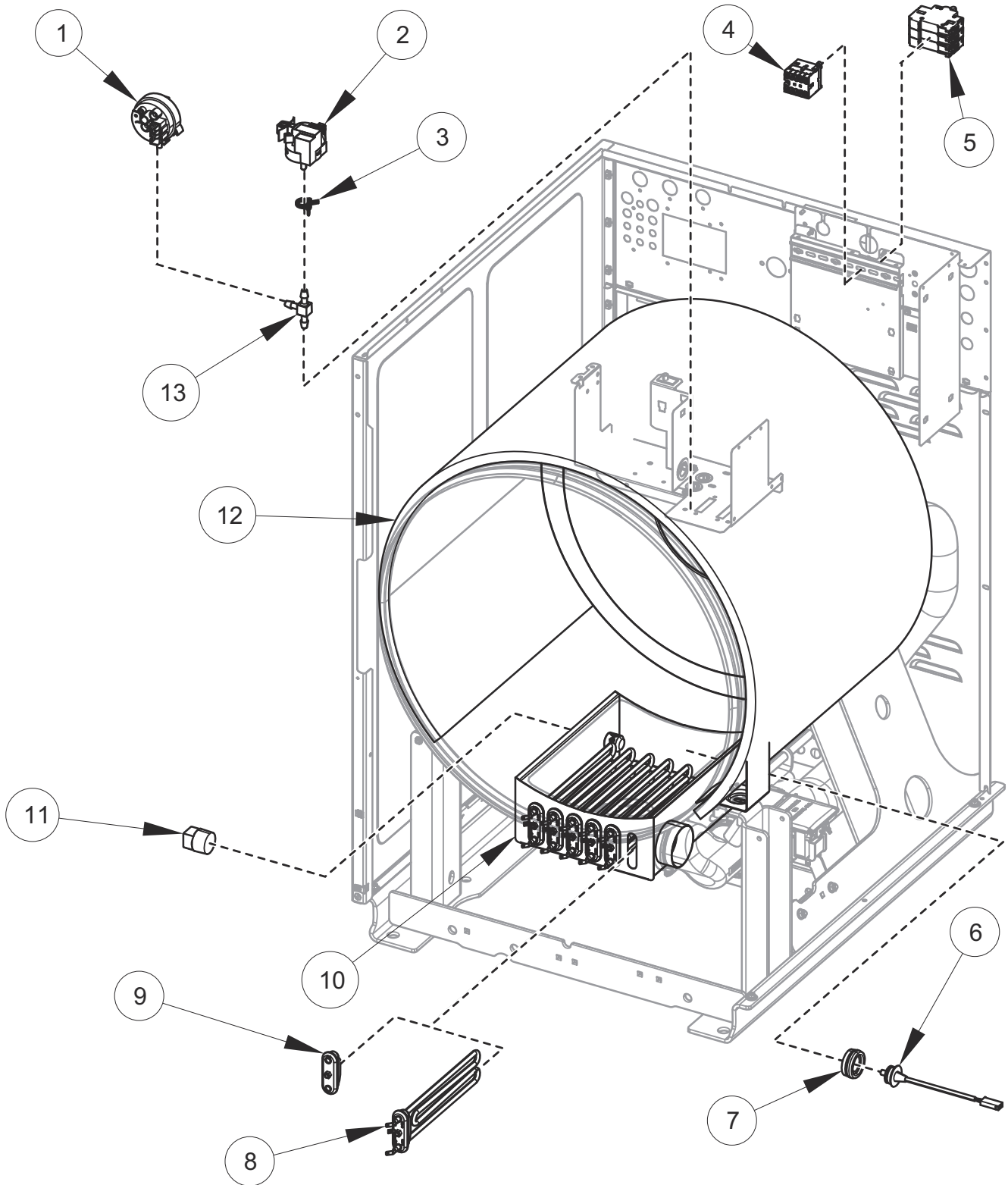


CHM3518P

Motor, Pulley and Belt - 40 and 60 Pound Models

REF	PART NO.	DESCRIPTION	COMMENTS
	F8733806	Gasket	EMI 17.8 inch
	F8733803	Gasket	EMI 25.6 inch
	F8733804	Gasket	EMI 29 inch
	F8519003	Motor Harness	2-3 hp; 240 Volt; B, Q, W, X and Y voltage
	F8719403	Motor Harness	2-3 hp; B, Q, W, X and Y voltage; IEC shielded models starting September 2021
	F8719404	Motor Harness	2-3 hp; N and P voltage; IEC shielded models starting September 2021
	F8519004	Motor Harness	2-3 hp; 480 Volt; N and P voltage
	F8519008	Motor Harness	B, Q, W, X and Y voltage; EMI filter models through August 2021
	F8519009	Motor Harness	N and P voltage; EMI filter models through August 2021
	F8748601	Spring Stud Kit	Contains F8634701 Stud and 70126104 Screw. Used to replace F8351902 Eye Bolt and 44087201 Nut
1	F430801	Key	
2	F8511701	Basket Pulley	40 pound models
	F8511801	Basket Pulley	60 pound models
3	F8382813	Belt	40 pound models; Poly-V; 717J8
	F8382818	Belt	60 pound models; Poly-V; 765J10
4	F8574001	Screw	
5	M400077	Set Screw	
6	F431115	Washer	
7	H8752006H	Key	
8	F8564101P	Motor	2 hp; 230/460 Volt; 40 pound models
	F8564102P	Motor	3 hp; 230/460 Volt; 60 pound models
9	F8525301	Motor Pulley	40 pound models
	F8525302	Motor Pulley	60 pound models
10	F8402801	Bolt	
11	23222	Screw	
12	F8732801	Bracket	
13	F8441101	Motor Rod Plate	
14	44087201	Nut	
15	F8589002	Motor Bracket Weldment	
16	F8535202	Flanged Isolator	
17	F8333302	Flanged Bushing	
18	F8634701	Stud	
19	70126104	Screw	
20	F310124	Extension Spring	40 pound models
	F8440701	Extension Spring	60 pound models
21	F8319503	Eye Bolt	
22	44087301	Nut	

Electric Heating

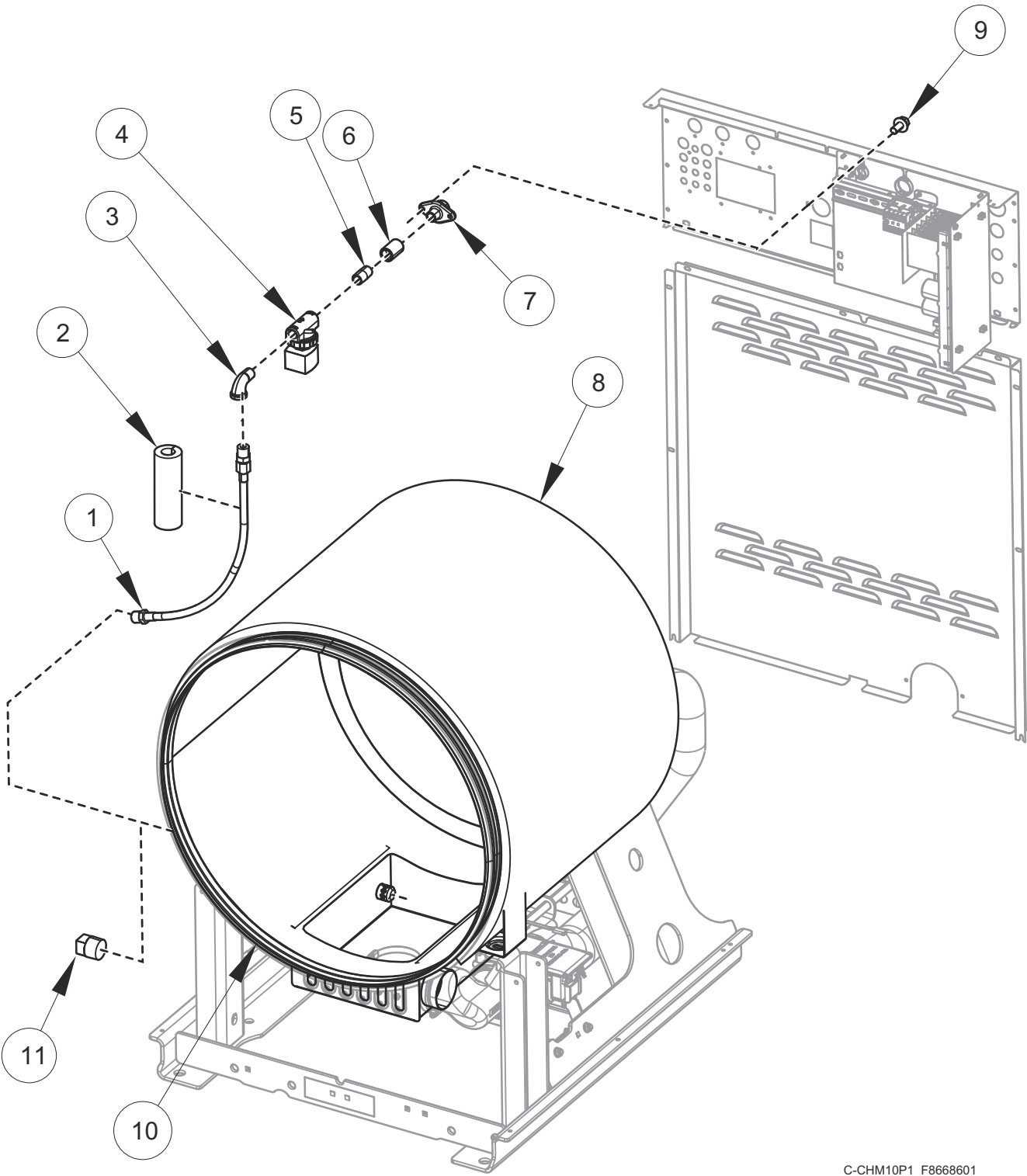


C-CHM8P6_F8668601

Electric Heating

REF	PART NO.	DESCRIPTION	COMMENTS
	F8584801	Electric Heat Element Harness	3 element ground
	F8584802	Electric Heat Element Harness	6 element ground
	F8619101	Power Harness	
	F8564001	Harness	Heater; 20 and 30 pound models; N and P Voltage
	F8564002	Harness	Heater; 20 and 30 pound models; Q Voltage
	F8564003	Harness	Heater; 40 and 60 pound models; N, P and Q Voltage
	F8598301	Harness	Thermistor; 20 and 30 pound models
	F8598302	Harness	Thermistor; 40 and 60 pound models
	F8568901	Jumper	40 and 60 pound models with N voltage
	F8569001	Jumper	40 and 60 pound models with P voltage; 20 and 30 pound models with N and P voltage
1	F8609101	Water Level Pressure Switch	
2	F8623401	Pressure Sensor	
3	39282	Hose Clamp	
4	70482601	Contactactor	
5	70488101	Circuit Breaker	
6	F8538801	Thermistor	
7	2251000400	Temperature Probe Grommet	
8	F8568401	Heating Element	2600W; 240 Volt
	F8568402	Heating Element	3400W; 277 Volt
	F8568301	Heating Element	4200W; 230 Volt
9	F360202	Heating Element Plug	
10	F8512102	Shell	20 pound models
	F8514002	Shell	30 pound models
	F8512202	Shell	40 pound models
	F8543702	Shell	60 pound models
11	F420408	Plug	20, 30 and 40 pound models
	F420409	Plug	60 pound models
12	F8209101	Insulation	20 pound models
	F8209102	Insulation	30 pound models
	F8209103	Insulation	40 pound models
	F8209104	Insulation	60 pound models
13	203464	Barbed Tee	

Steam Heating - 40 and 60 Pound Models

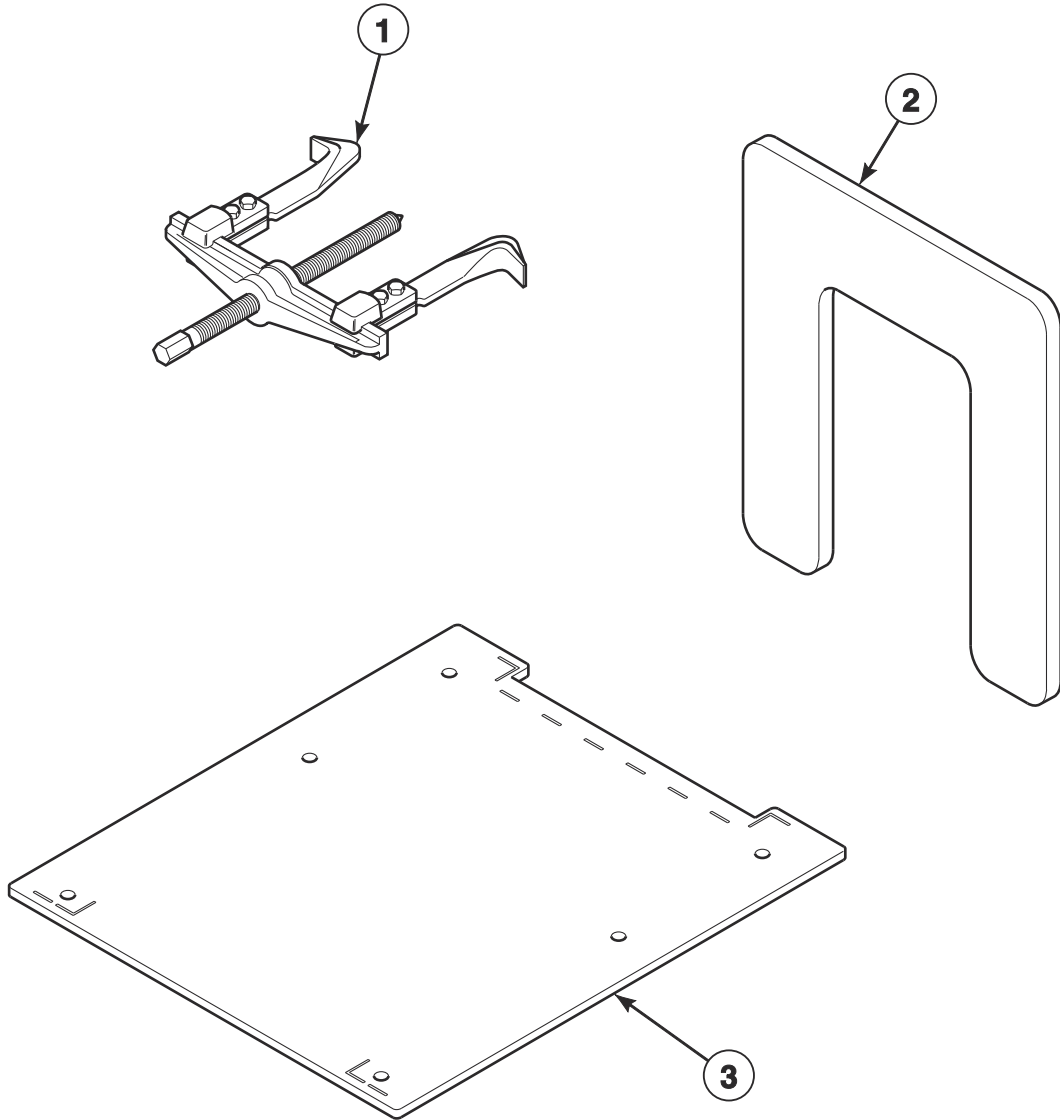


C-CHM10P1_F8668601

Steam Heating - 40 and 60 Pound Models

REF	PART NO.	DESCRIPTION	COMMENTS
	F8662602	Steam Kit	40 pound models; Includes Items 1-7, 9, 11, 901403 Pipe Nipple, F270307 Steam Filter, F8520704 Harness, insulation and labels
	F8662601	Steam Kit	60 pound models; Includes Items 1-7, 9, 11, 901403 Pipe Nipple, 70214101 Pipe Nipple, F270307 Steam Filter, F8520704 Harness, insulation and labels
	F270307	Steam Filter	1/2 inch
	F270308	Steam Filter	3/4 inch
	F8520704	Harness	Steam Valve
	F8233704	Insulation	Steam pipe; 12 inches
	F8233708	Pipe Insulation	Steam pipe; 20 inches
	F410300	Pipe Insulation	Steam pipe; 36 inches
1	F200153P	Steam Hose	40 pound models
	F200197	Steam Hose	60 pound models
2	F8233702	Insulation	Steam pipe; 6 inches
3	H86070034	Street Elbow	
4	F8322805	Valve	
	F8515001	Coil	
5	70435601	Pipe Nipple	
6	F8116301	Coupling	
7	F8362701	Coupling	
8	F8209103	Insulation	40 pound models
	F8209104	Insulation	60 pound models
9	70321501	Screw	
10	F8512202	Shell	40 pound models
	F8543702	Shell	60 pound models
11	F420408	Plug	

Special Tools and Kits



CHM3486P_F8668601

Special Tools and Kits

REF	PART NO.	DESCRIPTION	COMMENTS
	F8555406	Connector	8 pin; Use with 204094 Central Pay Control Assembly
	1111P	Concrete Kit	5/8 inch
	389P4	Basket Tool Kit	Purchase; Requires item 1
	390P4-1	Basket Rental Tool Kit	Purchase; Requires item 1
	203346	USB IR Interface Kit	
	F8673205	Central Pay Kit	20, 30 and 40 pound models without external supply board; B voltage; Includes 204094 Central Pay Control Assembly, 202757 Transformer, F140938 Snap Bushing, labels, hardware and harnesses
	F8673201	Central Pay Kit	20, 30 and 40 pound models without external supply board; N, P, Q, W, X and Y voltage; Includes 204094 Central Pay Control Assembly, 202758 Transformer, F140938 Snap Bushing, labels, hardware and harnesses
	F8673202	Central Pay Kit	60 pound models without external supply board; N, P, Q, W, X and Y voltage; Includes 204094 Central Pay Control Assembly, 202758 Transformer, F140938 Snap Bushing, labels, hardware and harnesses
	F8673203	Central Pay Kit	20, 30 and 40 pound models with external supply board; N, P, Q, W, X and Y voltage; Includes 204094 Central Pay Control Assembly, F140938 Snap Bushing, labels, hardware and harnesses
	F8673204	Central Pay Kit	60 pound models with external supply board; N, P, Q, W, X and Y voltage; Includes 204094 Central Pay Control Assembly, F140938 Snap Bushing, labels, hardware and harnesses
1	F460129P	Basket Puller Tool	
2	F8608502P	Basket Pulley Puller Tool	Use with item 1
3	F8433301	Frame Template	20 pound models
	F8433401	Frame Template	30 pound models
	F8433501	Frame Template	40 pound models
	F8433601	Frame Template	60 pound models

Parts Index

A

Access Cover	
F8047801	75, 77, 79, 81
Access Panel	
F8524001	41, 43, 45, 47, 49, 51, 53
F8524101	41, 43, 45, 47, 49, 51, 53
F8524201	41, 43, 45, 47, 49, 51, 53
F8553901	41, 43, 45, 49, 51, 53
Access Panel Retaining Spacer	
F8609701	41, 43, 45, 47, 49, 51, 53
App Pay Overlay Kit	
44374701	11, 13, 17, 19, 21
Auxiliary Fill Hose	
F8598501	81

B

Backflow Preventer	
800310	73
Barbed Tee	
203464	11, 13, 87
Basket	
F8391302	67
F8391304	67
F8391502	67
F8391504	67
F8391702	67
F8391704	67
F8502802	67
F8502805	67
Basket Capacity Label	
F8699702	43, 45, 51, 53
F8699703	43, 45, 51, 53
F8699704	43, 45, 51, 53
F8699706	43, 45, 51, 53
Basket Puller Tool	
F460129P	91
Basket Pulley	
F8511601	83
F8511701	83, 85
F8511801	85
Basket Pulley Puller Tool	
F8608502P	91
Basket Rental Tool Kit	
390P4-1	91
Basket Tool Kit	
389P4	91
Bearing	
F100108	69
F100123P	69
F100134	69
F100135	69
F100136P	69
F100137P	69
Bearing Housing	
F8246802	69
F8247902	69
F8249902	69
F8250902	69

Bearing Housing Assembly	
F8271601P	69
F8271602	69
F8271701P	69
F8271702	69
F8271801P	69
F8271802	69
F8271901P	69
F8271902	69
Belt	
F8382811	83
F8382812	83
F8382813	85
F8382818	85
Bolt	
F430974	59, 61, 63
F8270701	65
F8402801	57, 71, 73, 83, 85
F8508101	59, 61, 63
70062401	83
Bracket	
F8571301	73
F8571401	73
F8732801	85
Bushing	
70346501	25, 27, 29, 31, 33, 35

C

Cabinet Brace	
F8527301	55
F8527401	55
F8527501	55
F8553201	55
Cable	
F8521301	55
Cap	
F8197701	75, 77, 79
Card Plate Assembly	
F8201501	13
Central Pay Harness	
44342801	13
Central Pay Kit	
F8673201	91
F8673202	91
F8673204	91
F8673205	91
Chemical Injection Control	
804528	37
Circuit Breaker	
70488101	29, 31, 33, 35, 87
Clip	
F8566801	75, 77, 79, 81
Coil	
F8515001	89
Coin Drawer Assembly	
F8182001	23
Coin Drop	
38963P	17
39748	17
70441601P	17

N/A items do not appear in index.

70441603	19
Coin Drop Assembly	
201141	17
210195	19
210196	19
38462P	17
38463	17
38464P	17
38467	19
38475	17
38519	19
70281102	19
70283102	19
70441602	19
70447301	19
70471601	17
70482401	19
70506901	17
Coin Drop Kit	
CK077	17
CK122	21
CK503	19
Coin Identification Paper	
38725	17, 19, 21
Coin Meter	
F0160737-00	19
Coin Vault Assembly	
F8529101	11
Coin Vault Bypass Harness	
F8519702	13
Coin Vault Harness	
F8519701	11
Concrete Kit	
1111P	91
Connector	
F8555406	91
70493102	37
Contactactor	
F330188P	87
70482601	25, 27, 29, 31, 33, 35
70482701	25, 27, 29, 31, 33, 35
Contactactor Tray	
F8530901	25, 27, 29, 31, 33, 35
Control Assembly	
F8493901P	11, 13
F8494001	11
Control Panel Assembly	
F8523701	41, 47
F8523704	49
F8523801	41, 47
F8523804	49
F8523901	41, 47
F8523904	49
F8553701	41
F8553704	49
F8697101	43, 45
F8697102	51, 53
F8697201	43, 45
F8697202	51, 53
F8697301	43, 45
F8697302	51, 53
F8697401	43, 45
F8697402	51, 53
Control Tray	
F8530701	15

Coupling	
F8116301	89
F8362701	89

D

Danger Label	
F8614501	9
DIN Rail	
B12315401	29, 31, 33, 35
M412689	25, 27, 29, 31, 33, 35
Dispenser	
F8047403	75, 77, 79, 81
Dispenser Bracket	
F8525701	55
Dispenser Cover	
F8563201	75, 77, 79, 81
F8563202	75, 77, 79, 81
F8563203	75, 77, 79, 81
F8563204	75, 77, 79, 81
Dispenser Gasket	
B12568601	75, 77, 79, 81
Dispenser Weldment	
F8437902	75, 77, 79, 81
Door	
F8507501P	59
F8507502	59
F8507601	61
F8507602	61
F8507701	63
F8507702	63
Door Assembly	
F8617201	59
F8617202	59
F8617211	59
F8617212	59
F8617301	61
F8617302	61
F8617311	61
F8617312	61
F8617401	63
F8617402	63
F8617411	63
F8617412	63
Door Bezel	
F170417-1	41, 43, 45, 47, 49, 51, 53
F8658701	41, 43, 45, 47, 49, 51, 53
F8659101	41, 43, 45, 47, 49, 51, 53
Door Gasket	
F20000202	59
F8111502	63
F8111602	61
Door Glass	
F8485301P	61
F8485401P	63
Door Glass Kit	
F290205P	59
Door Glass Trim	
F8583201	59
F8583202	61
F8583203	63
Door Handle	
F8199401P	59, 61, 63
F8624603	59, 61

N/A items do not appear in index.

Door Handle Spacer Kit F8567501	59, 61, 63
Door Hinge F190216P	59, 61, 63
Door Hinge Shim Kit F200131000P	59, 61, 63
Door Latch Arm Assembly F8221403	59, 61, 63
Door Lock Assembly F8632401	65
Door Lock Catch F8344501	65
Door Lock Cover F8245001	65
Door Lock Harness F8520201	65
F8520202	65
Door Lock Microswitch F200203200	65
Door Lock Plate Assembly F8223202	65
Door Lock Plate Shim F83344401	65
Door Lock Solenoid Replacement Kit F977P3	65
Door Lock Switch Lever F8223401	65
Door Mount F150271	59, 61, 63
Double Check Valve F8301201	75, 77, 79, 81
Dowel Pin F8388201	69
Drain Hose F200165100	71
F8541901	71
F8542001	71
F8542002	71
27154	73
Drain Hose Elbow 35766	73
Drain Tee F150398	71
Drain Valve F8406308	71
Drain Valve Bracket F8543101	71
F8543301	71
F8543401	71
F8587701	71
Drain Valve Cover F200133600	71
Drain Valve Harness F8520001	71, 73
F8520002	71, 73
Drain Valve Kit F200166302	71
F200166402	71
F8577201	71
Drive Assembly F8495401P	39
F8496001	39
F8496301P	39
F8496901	39

Drive Communication Harness F8519201	39
F8519202	39
F8519203	39
F8519204	39
Drive Mounting Bracket F8322401	39
Drive Panel Base Assembly F8567001	25, 27, 29, 31
F8567002	29, 31
F8567003	33, 35
F8567004	33, 35
Drive Power Harness F8518601	39
F8518602	39
F8518603	39
Drive Shield F8616901	25, 27, 29, 31, 33, 35
Drive Terminal Tray F8530801	25, 27, 29, 31
F8530803	33, 35

E

Electric Heat Element Harness F8584801	87
F8584802	87
Electronic Coin Drop Assembly 70294107	21
70513302	21
70513303	21
70513304	21
70513306	21
70513309	21
70513310	21
70513311	21
70513312	21
70513313	21
70513314	21
70513315	21
70513316	21
Electronic Coin Drop Kit CK099	21
CK100	21
CK101	21
CK108	21
CK109	21
CK110	21
CK113	21
CK115	21
CK116	21
CK117	21
CK118	21
CK119	21
CK120	21
CK121	21
CK500	21
Emergency Stop Bypass Harness F8519403	13
F8549403	11
EMI Filter F8591601	25, 29
F8591801	27, 31, 33
F8637501	27, 31, 35
End Stop F8449801	25, 27, 29, 31, 33, 35

N/A items do not appear in index.

Ethernet Gateway Kit	
NK320	15
Excluder Seal	
F8337002	67
Expansion Clip	
70030501 ...	15, 25, 27, 29, 31, 33, 35, 39, 41, 43, 45, 47,
47,	49, 51, 53, 55, 57, 65, 73
Extension Spring	
F310124	83, 85
F8440701	85
External Supply Kit	
F8662501	37
F8662502	37
F8662503	37
F8662504	37
F8662505	37
F8662506	37
F8662507	37
F8662508	37
Eye Bolt	
F8319503	83, 85

F

Fill Hose Kit	
F8671101	75, 77, 79, 81
F8671102	75, 77, 79, 81
F8671201	75, 77, 79, 81
F8671202	75, 77, 79, 81
Fill Valve Harness	
F8520101	75, 77, 79
F8520102	81
Filter Kit	
F8662801	25
F8662802	29
F8662803	27
F8662804	31, 33
F8662805	27
F8662806	31, 35
F8662809	27
F8662810	27
F8662811	31, 33
F8662812	31, 35
Flanged Bushing	
F8333302	83, 85
Flanged Isolator	
F8535202	83, 85
Frame Template	
F8433301	91
F8433401	91
F8433501	91
F8433601	91
Front Panel	
F8524301	41
F8524302	49
F8524303	45
F8524304	53
F8524305	47
F8524401	41
F8524402	49
F8524403	45
F8524404	53
F8524405	47
F8524501	41
F8524502	49

F8524503	45
F8524504	53
F8524505	47
F8554001	41
F8554002	49, 51
F8554003	45
F8554004	53
F8685202	51
F8685204	51
F8685602	51
F8685604	51
F8685702	51
F8685802	51
F8685804	51
F8686001	43
F8686101	43
F8686201	43
F8686301	43

Front Tray Assembly

F8531001	11, 13
F8567301	11
F8567302	11
F8567303	11
F8567304	11
F8567305	11
F8567306	11
F8567307	13
F8567308	13
F8567309	13
F8567310	13
F8567311	13
F8567312	13

G

Gasket

F8542601	55
F8733801	83
F8733802	83
F8733803	85
F8733804	85
F8733806	83, 85

Gateway

204145P	15
205223P	15
205391P	15

Ground Lug Connector

M411283	25, 27, 29, 31, 33, 35
---------------	------------------------

H

Harness

F8518401	27, 31, 33
F8518402	25, 27
F8518403	31, 33
F8518404	25, 27, 33
F8518405	25, 29
F8518501	25, 27, 31, 35
F8518502	27
F8518503	31, 35
F8518504	27, 31
F8518604	29
F8518605	27, 31, 35, 39
F8518606	27, 31, 35, 39
F8518607	33

N/A items do not appear in index.

F8519301	11, 13
F8519501	11, 13
F8519502	11, 13
F8519601	11, 13
F8520601	37
F8520602	37
F8520704	89
F8528001	27, 29, 31, 33, 35
F8528002	27
F8528003	29, 31, 33, 35
F8528004	25, 29
F8528005	27, 31, 33, 35
F8528006	25, 29
F8528203	37
F8528204	37
F8564001	87
F8564002	87
F8564003	87
F8598301	67, 87
F8598302	67, 87
F8619102	25, 27, 29, 31, 33, 35
Harness Support Bracket	
F8744301	25, 27, 29, 31, 33, 35
Heating Element	
F8568301	87
F8568401	87
F8568402	87
Heating Element Plug	
F360202	87
Hole Plug	
F8223801	55
Hose	
F8232007	75
F8232010	79
F8232011	77
F8232012	81
Hose Clamp	
F200201	71, 75, 77, 79, 81
F200204	73
F200213	71, 75, 77, 79, 81
F200215	73
F200219	73
36801	75, 77, 79, 81
36802	71, 73
39282	11, 13, 87
Hot Surface Warning Label	
F8609001	9
F8614301	9

I	
Input and Output Control Assembly	
F8494101P	15
Instruction Label	
F8698801	43, 45, 51, 53
F8698901	43, 45, 51, 53
Insulation	
F8209101	87
F8209102	87
F8209103	87, 89
F8209104	87, 89
F8233702	89
F8233704	89
Insulator	
M413862	25, 27, 29, 31, 33, 35

J

Jumper	
F8568901	87
F8569001	87
F8583501	29, 31, 33, 35

K

Key	
F160420	23
F430801	83, 85
H8752006H	83, 85
70155603	55

L

Label	
D516100	25, 27, 29, 31, 33, 35
F8601301	9
F8602401	9
F8609401	9
F8611301	9, 55
F8611401	9, 55
F8614801	9
203853	9
44286801	25, 29
44286803	27, 31, 35

M

Machine ID Control Assembly	
203361P	11, 13
Magnet	
F8390801	59, 61, 63
Male Tab Terminal	
00621SG	25, 27, 29, 31, 33, 35
Manifold Valve	
F8529701	75, 77, 79, 81
F8529702P	75, 77, 79, 81
Mixing Valve	
F8434003	81
F8434004	81
Motor	
F8509601P	83
F8509701	83
F8564101P	85
F8564102P	85
Motor Bracket Weldment	
F8589001	83
F8589002	85
Motor Conduit Mounting Bracket	
70521901	83
Motor Harness	
F8519001	83
F8519002	83
F8519003	85
F8519004	85
F8519006	83
F8519007	83
F8519008	85

N/A items do not appear in index.

F8519009	85
F8719401	83
F8719402	83
F8719403	85
F8719404	85
Motor Pulley	
F8525301	83, 85
F8525302	85
Motor Rod Plate	
F8441101	83, 85
Mounting Plate	
70208801	13

N

Nameplate	
F8688801	43, 45, 51, 53
Nut	
C001236	59, 61, 63
F0431807-00	75, 77, 79, 81
F430215	21, 59, 61, 63
F430218	67
F430225	65
F430232	59, 61, 63, 65
F431024	65
F431041	59, 61, 63
F8387701	69
44087201	57, 71, 73, 83, 85
44087301	67, 83, 85
44088001	25, 27, 29, 31, 33, 35
44088801	55
685846	11, 13, 17, 19
70030401	71

O

Opto Coupler	
200674P	17, 19
O-Ring	
F8569101	75, 77, 79, 81
Overflow Hose	
F8521201	71
F8522401	71
F8522501	71
Overflow Plug	
F150352	73
Overlay	
F8611701	47
F8611801	47
F8611901	47
F8656401	41, 45
F8656402	41, 45
F8656403	49
F8656404	49, 53
F8656405	41, 45
F8656501	41, 45
F8656502	41, 45
F8656503	49
F8656504	49, 53
F8656505	41, 45
F8656601	41, 45
F8656602	41, 45
F8656603	49
F8656604	53

F8656605	41, 45
F8656701	41, 45
F8656702	41, 45
F8656703	49
F8656704	49, 53
F8656705	41, 45
F8695301	43
F8695302	43
F8695303	51
F8695401	43
F8695402	43
F8695403	51
F8695501	43
F8695502	43
F8695503	51
F8695504	51
F8695505	43
F8695601	43
F8695602	43
F8695603	51
F8695604	51
F8695605	43
F8696101	43
F8696201	43
F8696301	51
F8696302	51
F8731001	45
F8731002	45
F8731003	53
F8731101	45
F8731102	45
F8731103	53
F8731201	45
F8731202	45
F8731203	53
F8731301	45
F8731302	45
F8731303	53
F8731403	53
F8731503	53
F8731603	53
F8731703	53
F8744001	47
F8744101	47
F8744201	47
F9744101	47
70557001	49, 51, 53
70557002	49, 51, 53

P

Panel Locator	
56079	41, 43, 45, 47, 49, 51, 53, 57
Panel Lock	
44089303P	55
Payment Center Kit	
205069	13
205070	13
Pin	
F8302701	67
F8502101	57
Pinch Warning Label	
F8615701	9
70538401	9
Pipe Insulation	
F410300	89
F8233708	89

N/A items do not appear in index.

Pipe Nipple	
70435601	89
Plug	
F420408	87, 89
F420409	87
F8223901	55
M400985	55
Pop Rivet	
F431215	41, 43, 45, 47, 49, 51, 53, 55
F431223	59, 61, 63
M400003	15, 25, 27, 29, 31, 33, 35
70058501 ...	11, 17, 19, 25, 27, 29, 31, 33, 35, 75, 77, 79,
70412601	81
70412601	41, 43, 45, 47, 49, 51, 53
Power Distribution Block	
M413865	25, 27, 29, 31, 33, 35
Power Distribution Block Cover	
44014901P	25, 27, 29, 31, 33, 35
Power Harness	
F8619101	25, 27, 29, 31, 33, 35, 87
Pressure Cap	
F8579301	71, 73
Pressure Sensor	
F8623401	11, 13, 87
P-Trap Hose	
F8529601	75
F8529602	77
F8529603	79
F8529604	81
Pulse Expander Assembly	
F8034701P	21
Pump Drain and Bracket Assembly	
804038	73
805613	73
805723	73
Pump Drain Bracket	
F8536901	73
F8557101	73
F8557301	73
Pump Drain Hose	
F8556601	73
Pump Drain Rear Hose	
F8537001	73
F8557001	73
F8557201	73
Pushbutton Switch	
70413301	55

R

Radial Lip Seal	
F8203816	69
Rear Drain Hose	
F8543001	71
F8543201	71
F8543501	71
F8587301	71
Rear Panel	
F8527001	55
F8527101	55
F8527201	55
F8554501	55
Rear Vent Hose	
F8616401	75

F8616402	77, 79
F8616404	81
Reed Switch Assembly	
F8066804	65
Retaining Ring	
F8337801	69
F8337901	69
F8344901	69
F8345001	69
Rivet	
M412763	41, 43, 45, 47, 49, 51, 53, 57
Rod	
F602813-2	59, 61, 63

S

Screw	
D503688	39
F430532	59
F430533	61, 63
F430536	59, 61, 63
F8117601	41, 43, 45, 47, 49, 51, 53, 55, 57, 65, 73
F8206901	15, 25, 27, 29, 31, 33, 35, 55, 73
F8230301	75, 77, 79, 81
F8368801	69
F8442702	69
F8535501	59, 61, 63
F8535601	75, 77, 79, 81
F8574001	83, 85
F8589501	41, 43, 45, 47, 49, 51, 53
F8621601	67
F8658501	73
F8673701	67
202175	71
23222	83, 85
33562	55
39733	25, 27, 29, 31, 33, 35
403497	37
430497	15
51780	55
51783	25, 27, 29, 31, 33, 35
685837	25, 27, 29, 31, 33, 35
70126104	83, 85
70321501	89
800548	75, 77, 79, 81
Seal Scupper Pad	
F8350302	69
Set Screw	
M400077	83, 85
Shaft Seal Sleeve Kit	
F8343906P	67
Shell	
F8512101	67
F8512102	67, 87
F8512201	67
F8512202	67, 87, 89
F8514001	67
F8514002	67, 87
F8543701	67
F8543702	67, 87, 89
Shell Band Kit	
F8537801	67
F8537802	67
F8537803	67
F8537804	67

N/A items do not appear in index.

Shell Front	
F8222301	67
F8222401	67
F8222501	67
F8222601	67
Shock Warning Label	
F8614201	9
Side Panel	
F8524601	57
F8524602	57
F8524603	57
F8524604	57
F8524701	57
F8524702	57
F8524703	57
F8524704	57
F8524705	57
F8524706	57
F8524801	57
F8524802	57
F8524803	57
F8524804	57
F8524805	57
F8524806	57
F8525605	57
F8525606	57
F8554201	57
F8554202	57
F8554203	57
F8554204	57
F8554205	57
F8554206	57
Siphon Cover	
F8047901	75, 77, 79, 81
Snap Bushing	
F140938	11, 13, 25, 27, 29, 31, 33, 35, 37
M402542	11, 13
M411826	11, 13
Spacer	
F431901	65
Spring Bracket	
F8581201	83
Spring Pin	
F431222	59, 61, 63
Spring Stud Kit	
F8748601	83, 85
Steam Filter	
F270307	89
F270308	89
Steam Hose	
F200153P	89
F200197	89
Steam Kit	
F8662601	89
F8662602	89
Street Elbow	
H86070034	89
Stud	
F8634701	83, 85
70334702	71
Supply Vacuum Hose	
F8529401	75
F8529402	77
F8529403	79
F8529404	81

T

Temperature Probe Grommet	
2251000400	67, 87
Terminal	
00622SG	15, 25, 27, 29, 31, 33, 35
Terminal Block	
430642	25, 27, 29, 31, 33, 35
Terminal Block Shield	
70333001	25, 27, 29, 31, 33, 35
Terminal Tray Cover	
F8518301	55
Thermistor	
F8538801	67, 87
Top Cover	
F8525401	55
F8525501	55
F8525601	55
F8554301	55
Top Cover Hinge	
F8258601	55
Top Cover Latch	
F8201001	41, 43, 45, 47, 49, 51, 53
Torsion/Door Lock Spring	
F8070301	65
Transformer	
F8491101	15
202757	15
202758	15
Triple Lip Seal	
F8203801	69
F8203802	69
F8203803	69
F8203806	69
F8203813	69
F8203814	69
F8203815	69
Tubing	
F8405302	11, 13
F8405303	11, 13

U

USB Gateway Kit	
NK330	15
USB IR Interface Kit	
203346	91

V

Vacuum Breaker Assembly	
F8517501	75, 77, 79, 81
F8517502	75, 77, 79, 81
F8517503	75, 77, 79, 81
F8517504	75, 77, 79, 81
Vacuum Breaker Guard	
F8589601	75, 77, 79, 81
Valve	
F8322805	89
F8565201	75, 77, 79, 81
F8565202	75, 77, 79, 81

N/A items do not appear in index.

Valve Panel	
F8513101	55
F8513201	55
F8513301	55
F8554401	55

W

Warning Label	
F8611601	9
44324001	9
Washer	
F430339	69
F431115	83, 85
F431133	59, 61, 63
F431147	59, 61, 63
F431916	59, 61, 63
F431929	59, 61, 63
F8193101	65
F8201101	41, 43, 45, 47, 49, 51, 53
F8402701	67
M400080	67
M400081	67
M405535	57
Water Hose Kit	
F8665601	75, 77, 79, 81
F8665602	75, 77, 79, 81
F8665603	75, 77, 79, 81
F8665604	75, 77, 79, 81
Water Level Pressure Switch	
F8609101	11, 13, 87
Wire Clip	
F8449501	11, 13, 15
70347601	15
70366201	11, 13
Wire Label	
44286804	27, 31, 33
Wireless Harness	
F8520403	15
F8520404	15
F8674003	15
F8674004	15
Wireless Kit	
F8662401	15
F8662402	15
F8676001	15
F8676101	15
Wireless Network Control Assembly	
203532	15
807211	15

Y

Y-Connector	
223/00243/00	81
