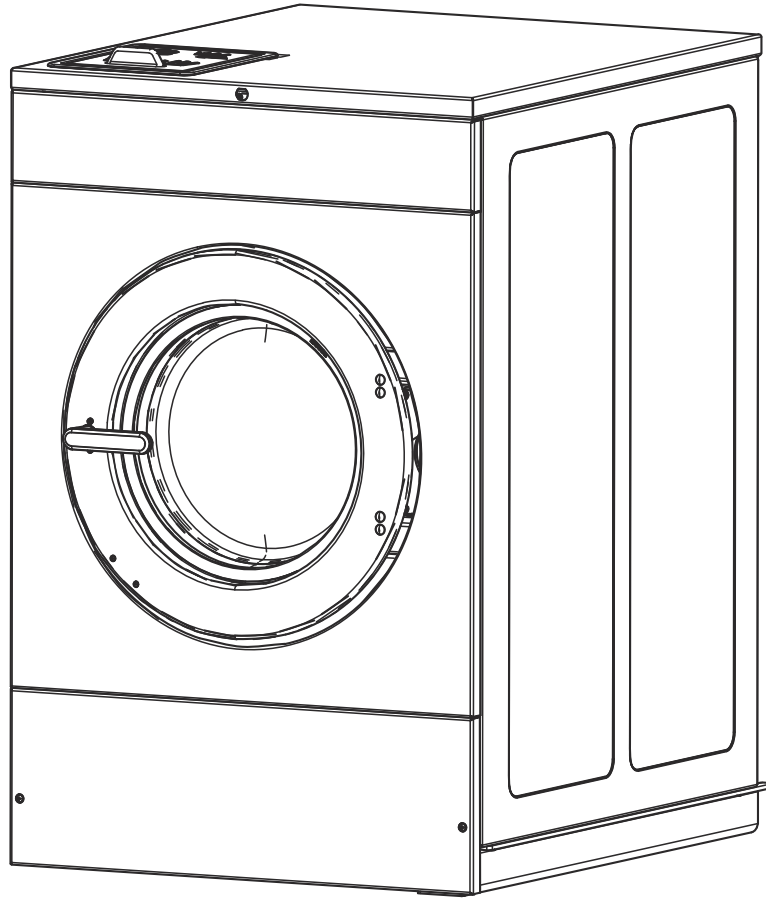


Washer-Extractor

Cabinet Hardmount

Design 4, 6 and 7

Refer to Page 5 for Model Numbers



C-CHM2C3_F8668701

Table of Contents

Title	Page
Parts Ordering Information.....	3
Serial Plate Location	3
Model Identification	5
Product Overview - Quantum Gold Network	6
Labels	8
Control Module and Front Tray Assembly - Coin Models	10
Control Module and Front Tray Assembly - Card Reader and Central Pay Models	12
Control Module and Front Tray Assembly - FOB Models	14
Control Tray Assembly.....	16
Flush Mount Coin Meter Assembly - Single Drop	18
Flush Mount Coin Meter Assembly - Dual Drop.....	20
Electronic Coin Meter Assembly	22
Optional Coin Box	24
Inverter Drive Box - 20 and 30 Pound Models with B Voltage	26
Inverter Drive Box - 20 and 30 Pound Models with N, P, Q, W, X and Y Voltage.....	28
Inverter Drive Box - 40 Pound Models with B Voltage	30
Inverter Drive Box - 40 Pound Models with N, P, Q, W, X and Y Voltage.....	32
Inverter Drive Box - 60 Pound Models with Q and X Voltage	34
Inverter Drive Box - 60 Pound Models with N and P Voltage.....	36
External Supply Kit.....	38
Inverter Drive	40
Front Panels and Control Panel - Coin Models - Design 4	42
Front Panels and Control Panel - Coin Models - Design 6	44
Front Panels and Control Panel - Coin Models - Design 7	46
Front Panels and Control Panel - Card Reader and Central Pay Models - Design 4	48
Front Panels and Control Panel - Card Reader and Central Pay Models - Design 6	50
Front Panels and Control Panel - Card Reader and Central Pay Models - Design 7	52
Rear and Top Panels	54
Side Panels.....	56
Door - 20 Pound Models - Design 4.....	58
Door - 20 Pound Models - Design 6 and 7.....	60
Door - 30 Pound Models - Design 4.....	62
Door - 30 Pound Models - Design 6 and 7.....	64
Door - 40 and 60 Pound Models - Design 4.....	66
Door - 40 and 60 Pound Models - Design 6 and 7.....	68
Door Lock.....	70
Shell Front, Basket, Shell and Frame Template	72
Bearing Housing	74
Drain Plumbing	76
Pump Drain Plumbing - 20, 30 and 40 Pound Models.....	78
Fill Plumbing - 20 Pound Models	80

© Copyright 2023, Alliance Laundry Systems LLC

All rights reserved. No part of the contents of this book may be reproduced or transmitted in any form or by any means without the expressed written consent of the publisher.

Fill Plumbing - 30 Pound Models	82
Fill Plumbing - 40 Pound Models	84
Fill Plumbing - 60 Pound Models	86
Motor, Pulley and Belt - 20 and 30 Pound Models.....	88
Motor, Pulley and Belt - 40 and 60 Pound Models.....	90
Electric Heating.....	92
Steam Heating - 40 and 60 Pound Models	94
Special Tools and Kits	96
Parts Index.....	99

Parts Ordering Information

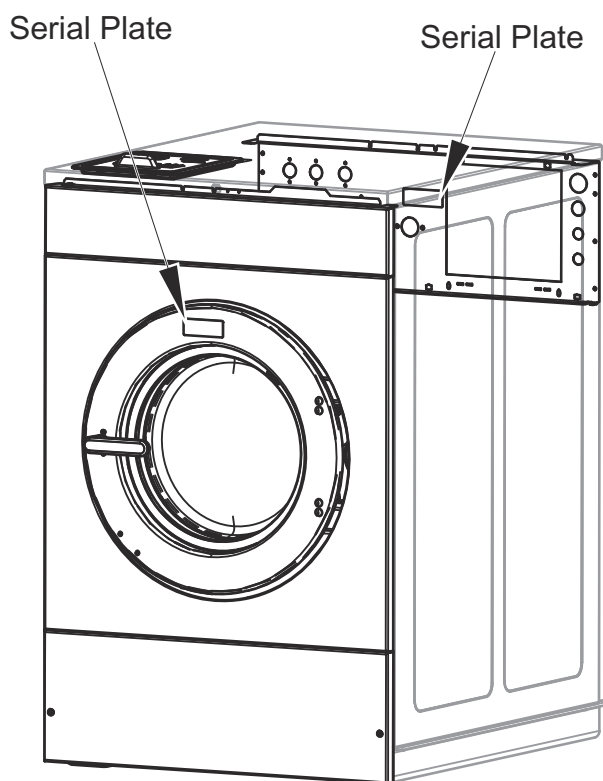
If literature or replacement parts are required, contact the source from whom the machine was purchased or contact Alliance Laundry Systems at (920) 748-3950 for the name and address of the nearest authorized parts distributor.

For technical assistance, call the number listed below:

(920) 748-3121 Ripon, Wisconsin

Serial Plate Location

When calling or writing about your product, be sure to mention model and serial numbers. Model and serial numbers are located on serial plate(s) as shown.



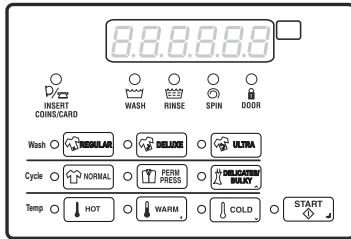
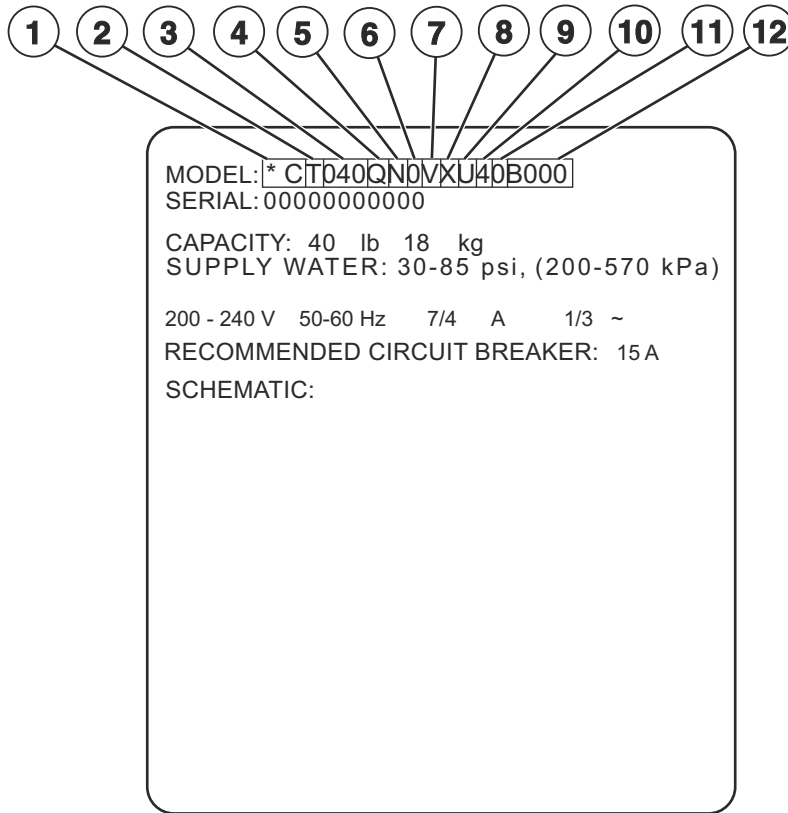
C-CHM2C2_F8668701

Model Identification

Information in this manual is applicable to these washer-extractor models:

SCA020WC	SCH020WF	SCK020WQ	SCL020WX	SCT030WC
SCA020WD	SCH020WH	SCK020WT	SCL020WY	SCT030WD
SCA020WE	SCH020WL	SCK020WV	SCL030WC	SCT030WE
SCA020WF	SCH020WQ	SCK020WX	SCL030WD	SCT030WF
SCA020WH	SCH020WT	SCK020WY	SCL030WE	SCT030WH
SCA020WL	SCH020WV	SCK030WC	SCL030WF	SCT030WL
SCA020WQ	SCH020WX	SCK030WD	SCL030WH	SCT030WP
SCA020WT	SCH020WY	SCK030WE	SCL030WL	SCT030WQ
SCA020WV	SCH030WC	SCK030WF	SCL030WQ	SCT030WT
SCA020WX	SCH030WD	SCK030WH	SCL030WT	SCT030WV
SCA020WY	SCH030WE	SCK030WL	SCL030WV	SCT030WX
SCA030WC	SCH030WF	SCK030WQ	SCL030WX	SCT030WY
SCA030WD	SCH030WH	SCK030WT	SCL030WY	SCT040WC
SCA030WE	SCH030WL	SCK030WV	SCL040WC	SCT040WD
SCA030WF	SCH030WQ	SCK030WX	SCL040WD	SCT040WE
SCA030WH	SCH030WT	SCK030WY	SCL040WE	SCT040WF
SCA030WL	SCH030WV	SCK040WC	SCL040WF	SCT040WH
SCA030WQ	SCH030WX	SCK040WD	SCL040WH	SCT040WL
SCA030WT	SCH030WY	SCK040WE	SCL040WL	SCT040WP
SCA030WV	SCH040WC	SCK040WF	SCL040WQ	SCT040WQ
SCA030WX	SCH040WD	SCK040WH	SCL040WT	SCT040WT
SCA030WY	SCH040WE	SCK040WL	SCL040WV	SCT040WV
SCA040WC	SCH040WF	SCK040WQ	SCL040WX	SCT040WX
SCA040WD	SCH040WH	SCK040WT	SCL040WY	SCT040WY
SCA040WE	SCH040WL	SCK040WV	SCL060WC	SCT060WC
SCA040WF	SCH040WQ	SCK040WX	SCL060WD	SCT060WD
SCA040WH	SCH040WT	SCK040WY	SCL060WE	SCT060WE
SCA040WL	SCH040WV	SCK060WC	SCL060WF	SCT060WF
SCA040WQ	SCH040WX	SCK060WD	SCL060WH	SCT060WH
SCA040WT	SCH040WY	SCK060WE	SCL060WL	SCT060WL
SCA040WV	SCH060WC	SCK060WF	SCL060WQ	SCT060WP
SCA040WX	SCH060WD	SCK060WH	SCL060WT	SCT060WQ
SCA040WY	SCH060WE	SCK060WL	SCL060WV	SCT060WT
SCA060WC	SCH060WF	SCK060WQ	SCL060WX	SCT060WV
SCA060WD	SCH060WH	SCK060WT	SCL060WY	SCT060WX
SCA060WE	SCH060WL	SCK060WV	SCT020WC	SCT060WY
SCA060WF	SCH060WQ	SCK060WX	SCT020WD	SCZ020WC
SCA060WH	SCH060WT	SCK060WY	SCT020WE	SCZ020WD
SCA060WL	SCH060WV	SCL020WC	SCT020WF	SCZ020WE
SCA060WQ	SCH060WX	SCL020WD	SCT020WH	SCZ020WF
SCA060WT	SCH060WY	SCL020WE	SCT020WL	SCZ020WH
SCA060WV	SCK020WC	SCL020WF	SCT020WP	SCZ020WL
SCA060WX	SCK020WD	SCL020WH	SCT020WQ	SCZ020WQ
SCA060WY	SCK020WE	SCL020WL	SCT020WT	SCZ020WT
SCH020WC	SCK020WF	SCL020WQ	SCT020WV	SCZ020WV
SCH020WD	SCK020WH	SCL020WT	SCT020WX	SCZ020WX
SCH020WE	SCK020WL	SCL020WV	SCT020WY	SCZ020WY

Product Overview - Quantum Gold Network



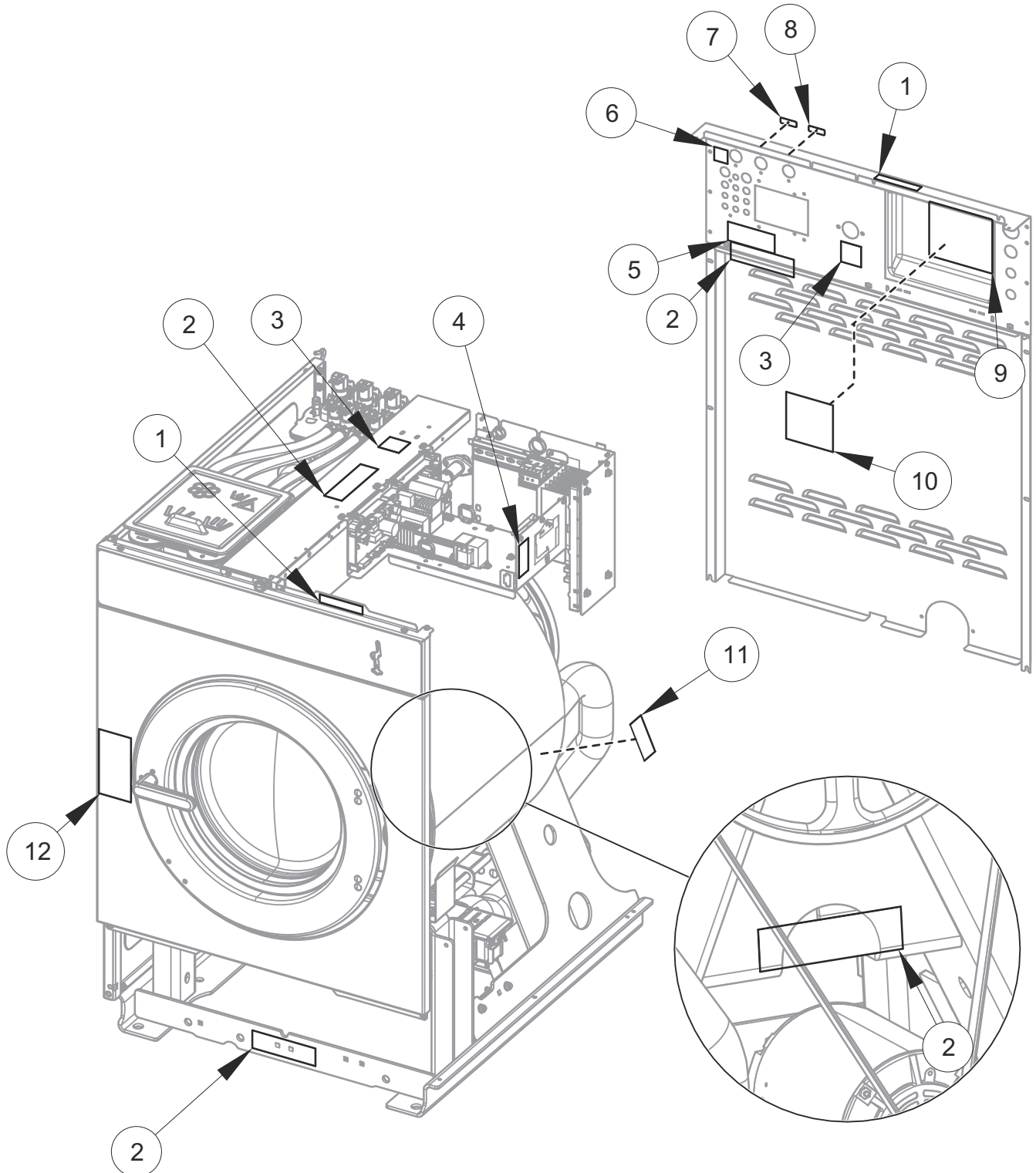
Quantum Gold Network

CHM3492P_F8668701

Product Overview - Quantum Gold Network

REF	PART NO.	DESCRIPTION	COMMENTS
1	-	Product Family	SC
2	-	Market Approvals	A (Australia IEC) D (Brazil IEC) G (International) H (China-ROHS IEC) J (Japan-PSE IEC) K (Korea IEC) L (Thailand-TISI IEC) T (North America) U (International CE/EAC IEC)
3	-	Capacity (Dry Weight in Pounds)	020 030 040 060
4	-	Control	W
5	-	Actuation	L (Central Pay) P (FOB) X (Prep for Coin) Y (Prep for Card) C (Single Coin) D (Dual Coin) E (Electronic Drop) T (Token) F (Single Coin + CD Lock and Key) Q (Dual Coin + CD Lock and Key) H (Electronic Drop + CD Lock and Key) V (Token + CD Lock and Key)
6	-	Coin Meter	0 (Standard) 1 (CD Lock and Key)
7	-	Speed	F (F-Speed) V (V-Speed)
8	-	Voltage	B (120/60/1) W (200-240/50/1/3) Y (200-240/60/1/3) X (200-240/50-60/1/3) Q (200-240/50-60/3) P (380-415/50-60/3) N (440-480/50-60/3)
9	-	Panel	B (Chrome Door) C (Chrome Door) U (Vinyl) 1 (Stainless Steel Side)
10	-	Design	4
11	-	Heat	0 (Standard) D (Steam) E (Electric Heat) P (Prep for Steam)
12	-	Features and Options	

Labels

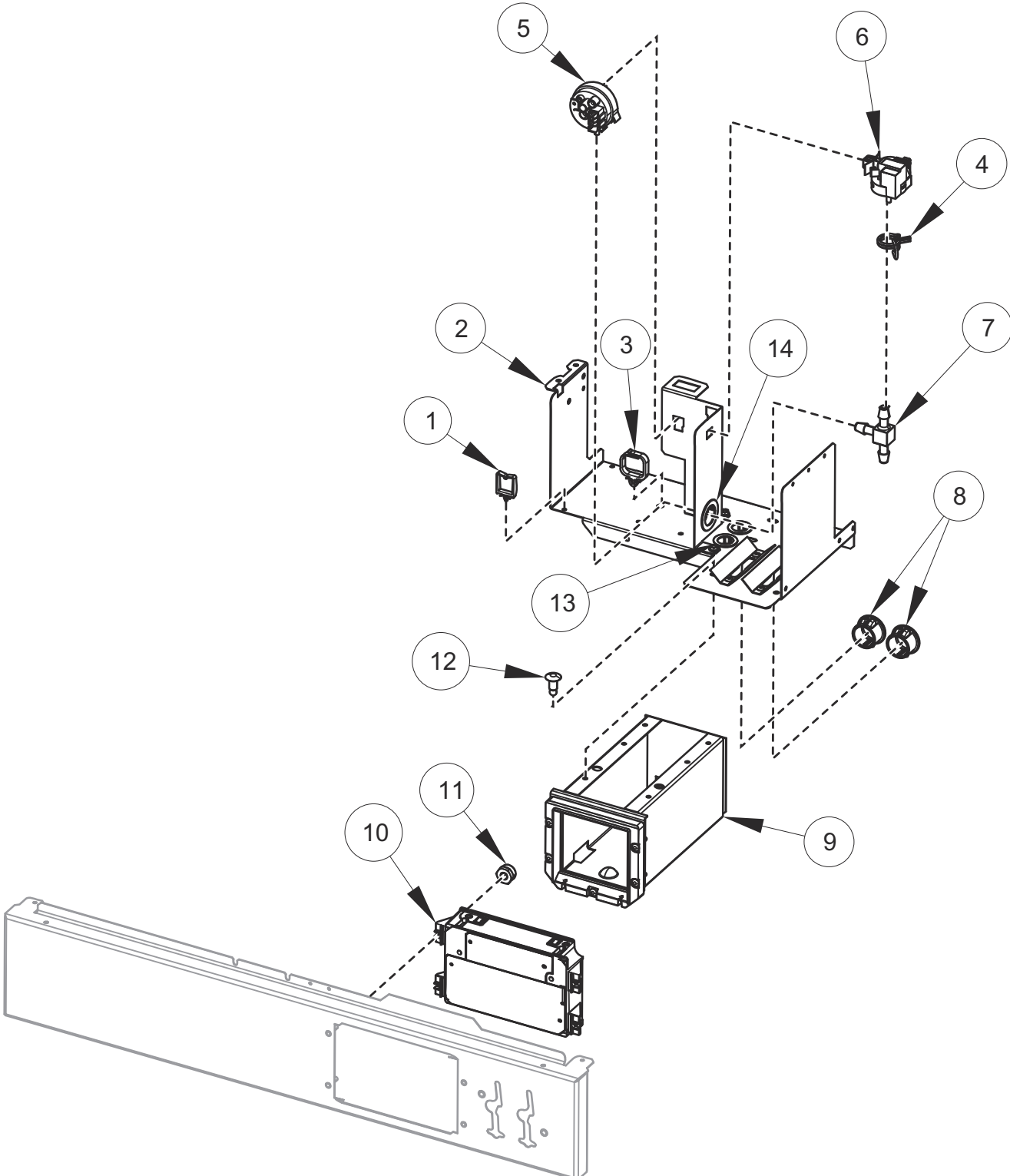


C-CHM2P27_F8668701

Labels

REF	PART NO.	DESCRIPTION	COMMENTS
1	F8614501	Danger Label	English/Quebec/French
2	44324001	Warning Label	Pinch/Shock; English/French
	F8614201	Shock Warning Label	Icon
	F8615701	Pinch Warning Label	Icon
3	F8614301	Hot Surface Warning Label	English/Quebec/French
	F8609001	Hot Surface Warning Label	Icon
4	F8601301	Label	Warning; Underground components
5	F8609401	Label	Notice; Chemical connection
6	203853	Label	ROHS (China)
7	F8611301	Label	Hot water; Icon
8	F8611401	Label	Cold water; Icon
9	F8611601	Warning Label	Warning; English/Quebec/French
10	F8602401	Label	Notice; Large expansion board
11	70538401	Pinch Warning Label	English/French
	F8615701	Pinch Warning Label	Icon
12	F8614801	Label	Warning fire/injury; English/Quebec/French

Control Module and Front Tray Assembly - Coin Models

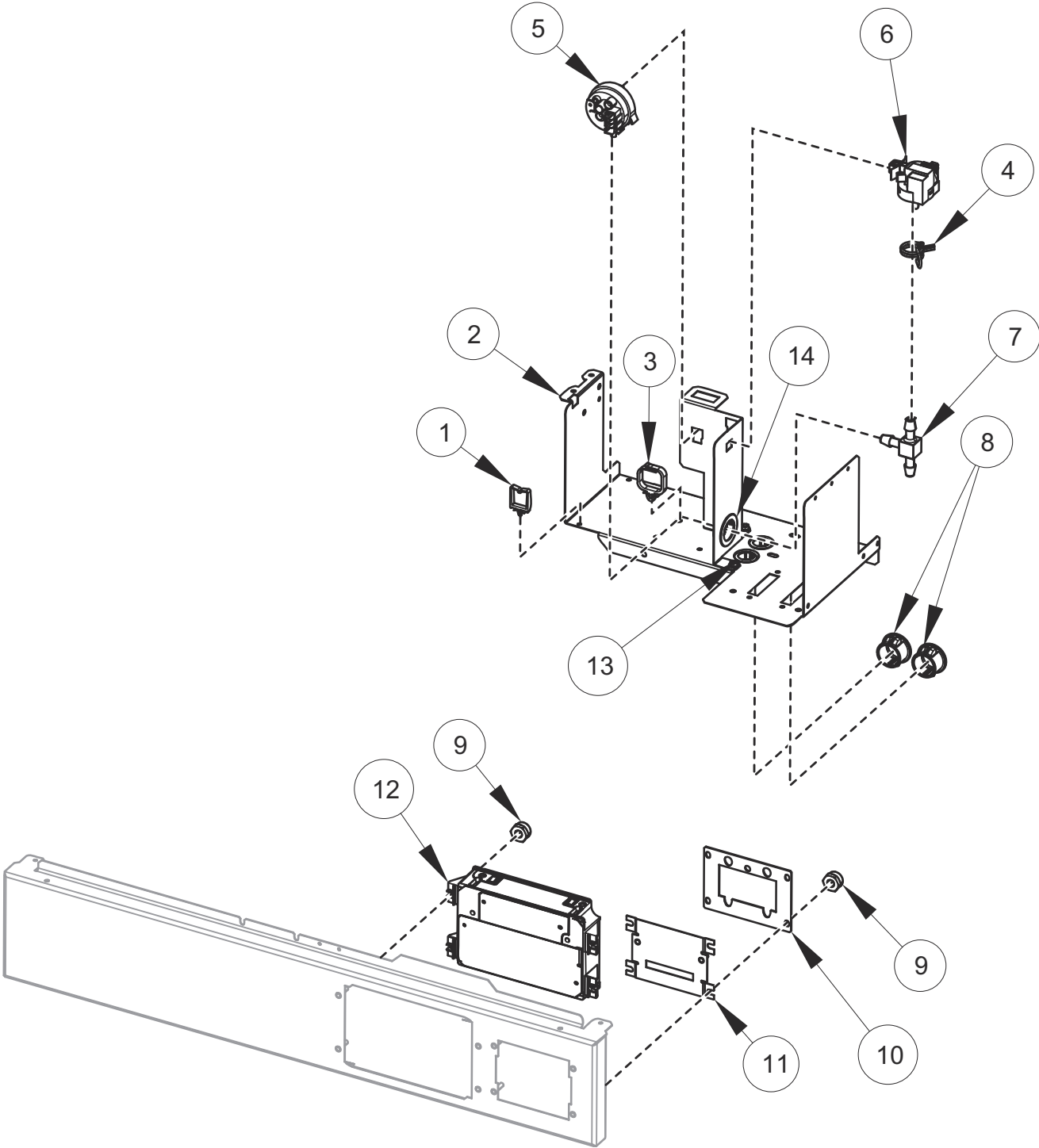


C-CHM5P1_F8668701

Control Module and Front Tray Assembly - Coin Models

REF	PART NO.	DESCRIPTION	COMMENTS
	44374701	App Pay Overlay Kit	
	203361P	Machine ID Control Assembly	
	F8567301	Front Tray Assembly	20 pound models; Includes items 1-3, 6, 8, 9, 12-14, 70413301 Pushbutton Switch and F8519701 Coin Vault Harness
	F8567304	Front Tray Assembly	20 pound models; Steam and electric heat; Includes items 1-9, 12-14, 70413301 Pushbutton Switch and F8519701 Coin Vault Harness
	F8567302	Front Tray Assembly	30 pound models; Includes items 1-3, 6, 8, 9, 12-14, 70413301 Pushbutton Switch and F8519701 Coin Vault Harness
	F8567305	Front Tray Assembly	30 pound models; Steam and electric heat; Includes items 1-9, 12-14, 70413301 Pushbutton Switch and F8519701 Coin Vault Harness
	F8567303	Front Tray Assembly	40 and 60 pound models; Includes items 1-3, 6, 8, 9, 12-14, 70413301 Pushbutton Switch and F8519701 Coin Vault Harness
	F8567306	Front Tray Assembly	40 and 60 pound models; Steam and electric heat; Includes items 1-9, 12-14, 70413301 Pushbutton Switch and F8519701 Coin Vault Harness
	F8519701	Coin Vault Harness	
	F8519301	Harness	Tray power harness
	F8519501	Harness	Communication; 20 and 30 pound models
	F8519502	Harness	Communication; 40 and 60 pound models
	F8519601	Harness	Coin access
	F8519403	Emergency Stop Bypass Harness	
1	70366201	Wire Clip	
2	F8531001	Front Tray Assembly	
3	F8449501	Wire Clip	
4	39282	Hose Clamp	
5	F8609101	Water Level Pressure Switch	Steam and electric heat
	F8405303	Tubing	Electric heat
6	F8623401	Pressure Sensor	
	F8405302	Tubing	Electric heat
7	203464	Barbed Tee	Steam and electric heat
8	M411826	Snap Bushing	
9	F8529101	Coin Vault Assembly	
10	F8493901P	Control Assembly	
11	685846	Nut	
12	70058501	Pop Rivet	
13	F140938	Snap Bushing	
14	M402542	Snap Bushing	

Control Module and Front Tray Assembly - Card Reader and Central Pay Models

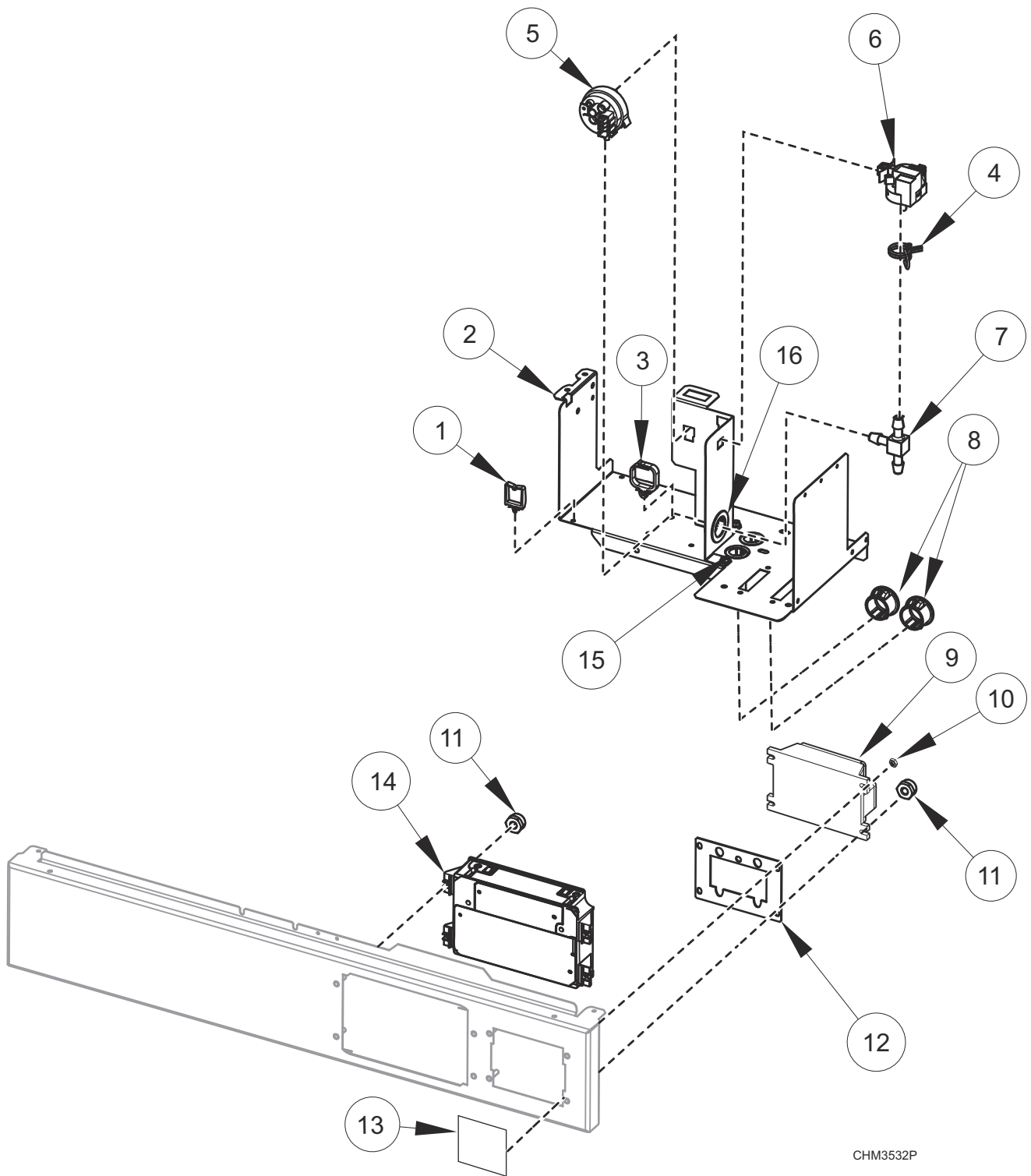


C-CHM5P3_F8668701

Control Module and Front Tray Assembly - Card Reader and Central Pay Models

REF	PART NO.	DESCRIPTION	COMMENTS
	44374701	App Pay Overlay Kit	
	203361P	Machine ID Control Assembly	
	F8567307	Front Tray Assembly	20 pound models; Includes items 1-3, 6, 8, 13, 14, 70413301 Pushbutton Switch
	F8567310	Front Tray Assembly	20 pound models; Steam and electric heat; Includes items 1-8, 13, 14, and 70413301 Pushbutton Switch
	F8567308	Front Tray Assembly	30 pound models; Includes items 1-3, 6, 8, 13, 14, 70413301 Pushbutton Switch
	F8567311	Front Tray Assembly	30 pound models; Steam and electric heat; Includes items 1-8, 13, 14, and 70413301 Pushbutton Switch
	F8567309	Front Tray Assembly	40 and 60 pound models; Includes items 1-3, 6, 8, 13, 14, 70413301 Pushbutton Switch
	F8567312	Front Tray Assembly	40 and 60 pound models; Steam and electric heat; Includes items 1-8, 13, 14, and 70413301 Pushbutton Switch
	44342801	Central Pay Harness	Models through December 2018
	F8519301	Harness	Tray power harness
	F8519501	Harness	20 and 30 pound models; Communication
	F8519502	Harness	40 and 60 pound models; Communication
	F8519702	Coin Vault Bypass Harness	
	F8519601	Harness	Coin Access
	F8519403	Emergency Stop Bypass Harness	
1	70366201	Wire Clip	
2	F8531001	Front Tray Assembly	
3	F8449501	Wire Clip	
4	39282	Hose Clamp	
5	F8609101	Water Level Pressure Switch	Steam and electric heat
	F8405303	Tubing	Electric heat
6	F8623401	Pressure Sensor	
	F8405302	Tubing	Electric heat
7	203464	Barbed Tee	Steam and electric heat
8	M411826	Snap Bushing	
9	685846	Nut	
10	70208801	Mounting Plate	
11	F8201501	Card Plate Assembly	
12	F8493901P	Control Assembly	
13	F140938	Snap Bushing	
14	M402542	Snap Bushing	

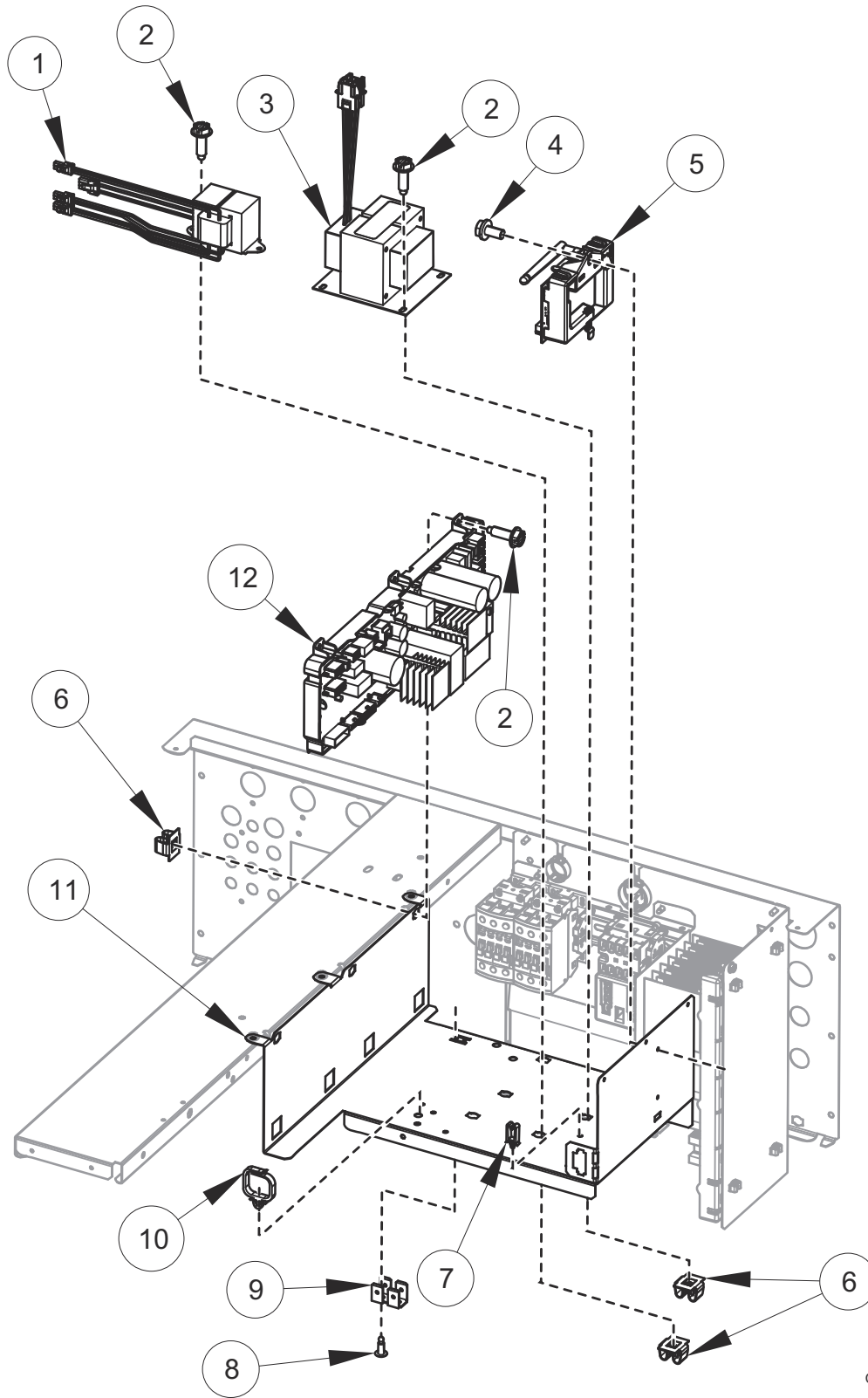
Control Module and Front Tray Assembly - FOB Models



Control Module and Front Tray Assembly - FOB Models

REF	PART NO.	DESCRIPTION	COMMENTS
	44374701	App Pay Overlay Kit	
	203361P	Machine ID Control Assembly	
	F8567307	Front Tray Assembly	20 pound models; Includes items 1-3, 6, 8, 13, 14, 70413301 Pushbutton Switch
	F8567310	Front Tray Assembly	20 pound models; Steam and electric heat; Includes items 1-8, 13, 14, and 70413301 Pushbutton Switch
	F8567308	Front Tray Assembly	30 pound models; Includes items 1-3, 6, 8, 13, 14, 70413301 Pushbutton Switch
	F8567311	Front Tray Assembly	30 pound models; Steam and electric heat; Includes items 1-8, 13, 14, and 70413301 Pushbutton Switch
	F8567309	Front Tray Assembly	40 and 60 pound models; Includes items 1-3, 6, 8, 13, 14, 70413301 Pushbutton Switch
	F8567312	Front Tray Assembly	40 and 60 pound models; Steam and electric heat; Includes items 1-8, 13, 14, and 70413301 Pushbutton Switch
	44342801	Central Pay Harness	Models through December 2018
	F8519301	Harness	Tray power harness
	F8519501	Harness	20 and 30 pound models; Communication
	F8519502	Harness	40 and 60 pound models; Communication
	F8519702	Coin Vault Bypass Harness	
	F8519601	Harness	Coin Access
	F8519403	Emergency Stop Bypass Harness	
	F8719301	Fob Communication Harness	
1	70366201	Wire Clip	
2	F8531001	Front Tray Assembly	
3	F8449501	Wire Clip	
4	39282	Hose Clamp	
5	F8609101	Water Level Pressure Switch	Steam and electric heat
	F8405303	Tubing	Electric heat
6	F8623401	Pressure Sensor	
	F8405302	Tubing	Electric heat
7	203464	Barbed Tee	Steam and electric heat
8	M411826	Snap Bushing	
9	70054	Nut	
10	205135	Fob Reader Control Assembly	
11	685846	Nut	
12	70208801	Mounting Plate	
13	F8201501	Card Plate Assembly	
14	F8733901	Overlay	
15	F8493901P	Control Assembly	
16	F140938	Snap Bushing	
17	M402542	Snap Bushing	

Control Tray Assembly

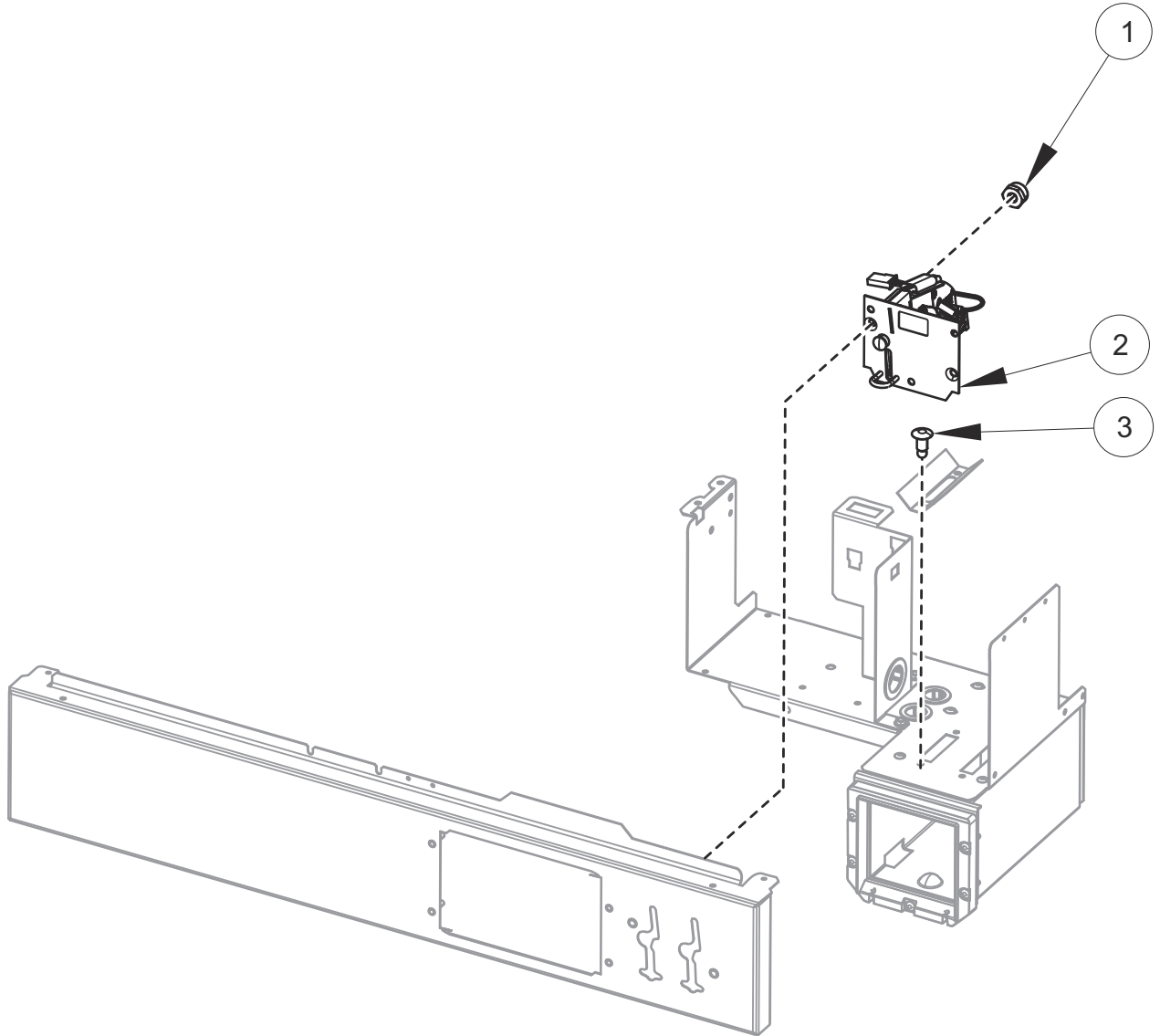


C-CHM5P2_F8668701

Control Tray Assembly

REF	PART NO.	DESCRIPTION	COMMENTS
	F8520403	Wireless Harness	20 and 30 pound models through April 2019
	F8674003	Wireless Harness	20 and 30 pound models starting May 2019
	F8520404	Wireless Harness	40 and 60 pound models through April 2019
	F8674004	Wireless Harness	40 and 60 pound models starting May 2019
	F8662401	Wireless Kit	20 and 30 pound models through April 2019; Includes items 4, 5, F8520403 Wireless Harness and labels
	F8676001	Wireless Kit	20 and 30 pound models starting May 2019; Includes items 4, 5, F8674003 Wireless Harness and labels
	F8662402	Wireless Kit	40 and 60 pound models through April 2019; Includes items 4, 5, F8520404 Wireless Harness and labels
	F8676101	Wireless Kit	40 and 60 pound models starting May 2019; Includes items 4, 5, F8674004 Wireless Harness and labels
	NK330	USB Gateway Kit	Wireless; Models through April 2019
	NK320	Ethernet Gateway Kit	Wireless; Models starting May 2019
	204145P	Gateway	Models starting May 2019
	205391P	Gateway	
1	202757	Transformer	B voltage with external supply
	202758	Transformer	N, P, Q, W, X and Y voltage with external supply
2	F8206901	Screw	
3	F8491101	Transformer	N and P voltage
4	430497	Screw	
5	203532	Wireless Network Control Assembly	Models through April 2019
	807211	Wireless Network Control Assembly	Models starting May 2019
6	70030501	Expansion Clip	
7	70347601	Wire Clip	External supply
8	M400003	Pop Rivet	
9	00622SG	Terminal	
10	F8449501	Wire Clip	
11	F8530701	Control Tray	
12	F8494101P	Input and Output Control Assembly	

Flush Mount Coin Meter Assembly - Single Drop

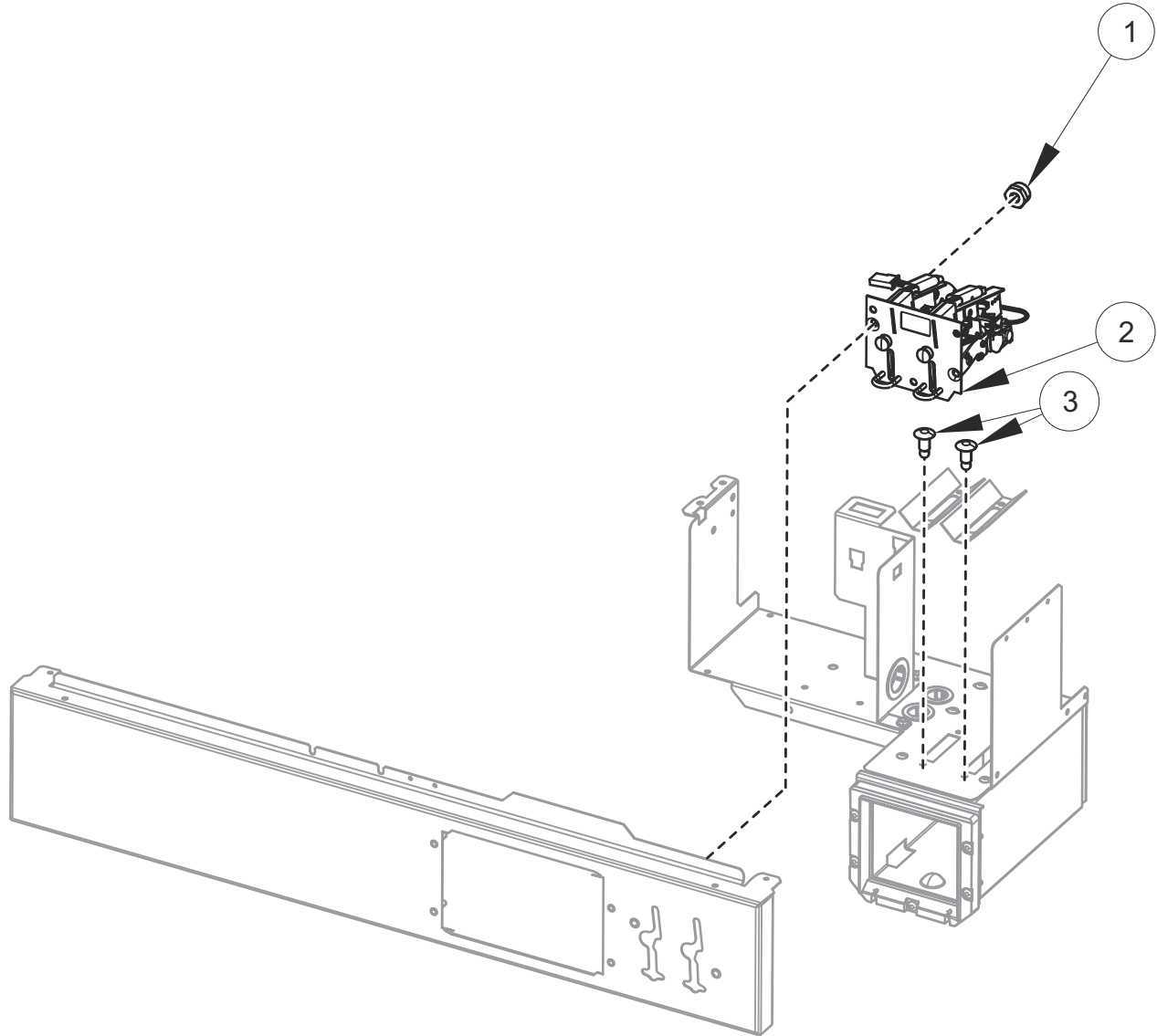


C-CHM6P7_F8668701

Flush Mount Coin Meter Assembly - Single Drop

REF	PART NO.	DESCRIPTION	COMMENTS
	44374701	App Pay Overlay Kit	
	38725	Coin Identification Paper	
	200674P	Opto Coupler	
1	685846	Nut	
2	70441601P	Coin Drop	U.S.A.; \$.25
	38475	Coin Drop Assembly	Japan; 100 yen
	38464P	Coin Drop Assembly	Canada; .25
	CK077	Coin Drop Kit	Taiwan; 10 NT
	70506901	Coin Drop Assembly	Singapore; \$1.00 NEW
	38462P	Coin Drop Assembly	Token; STD 118-1
	38463	Coin Drop Assembly	Token; STD 118-5
	38963P	Coin Drop	Token STD 118-16
	39748	Coin Drop	Jeton 08MS
	201141	Coin Drop Assembly	Token; Jeton wh121
	70471601	Coin Drop Assembly	Token; 7K
3	70058501	Pop Rivet	

Flush Mount Coin Meter Assembly - Dual Drop

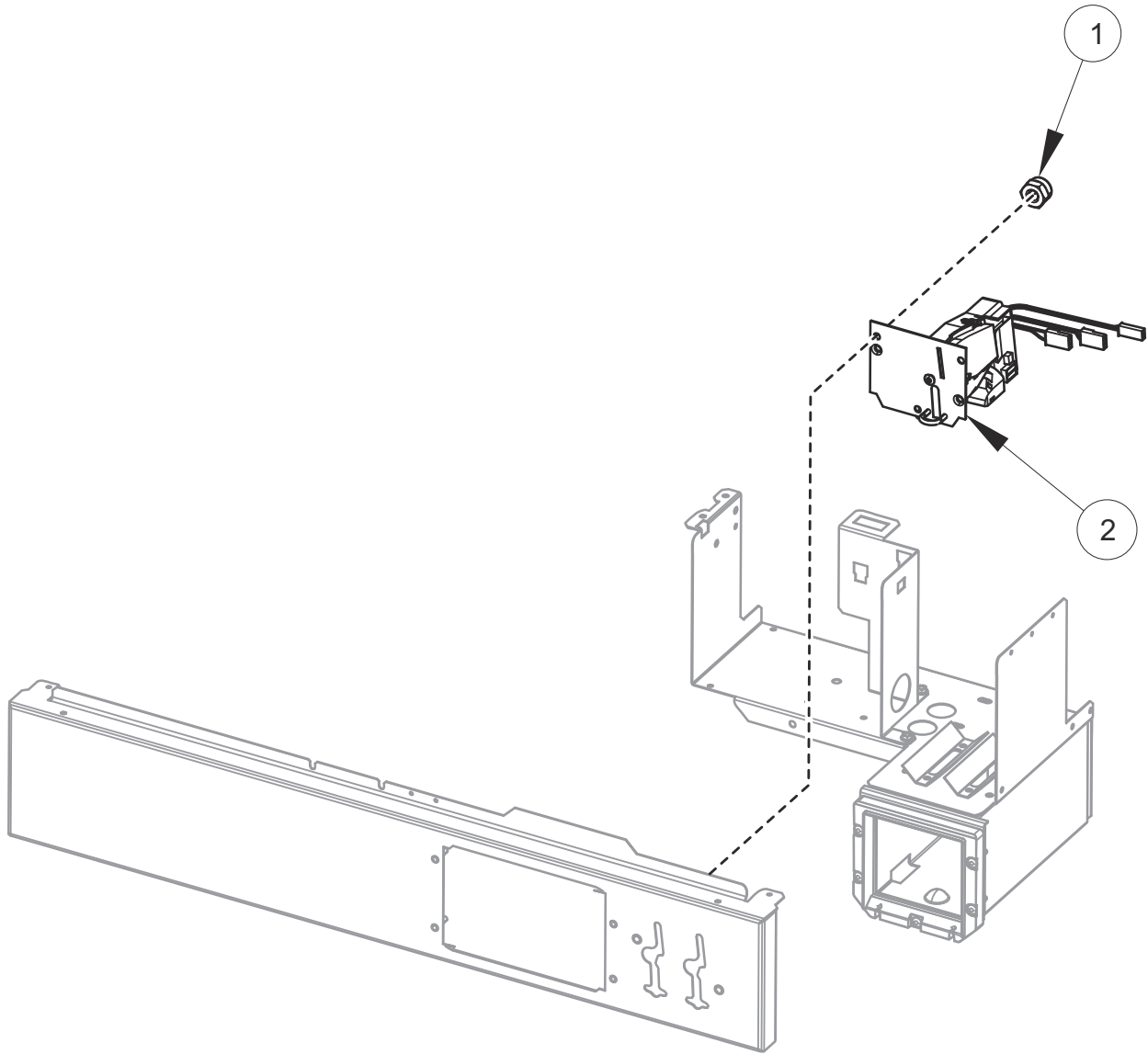


C-CHM6P8_F8668701

Flush Mount Coin Meter Assembly - Dual Drop

REF	PART NO.	DESCRIPTION	COMMENTS
	44374701	App Pay Overlay Kit	
	38725	Coin Identification Paper	
	200674P	Opto Coupler	
1	685846	Nut	
2	70441603	Coin Drop	U.S.A.; \$.25 and \$1.00
	38519	Coin Drop Assembly	Japan; 100 yen and 500 yen
	70441602	Coin Drop Assembly	Canada; .25 and \$1.00
	38467	Coin Drop Assembly	Australia; \$0.20 and \$1.00
	70447301	Coin Drop Assembly	Australia; \$1.00 and \$2.00
	70283102	Coin Drop Assembly	0.20 and 0.50 Euro
	210195	Coin Drop Assembly	0.20 and 1.00 Euro
	210196	Coin Drop Assembly	0.50 and 1.00 Euro
	F0160737-00	Coin Meter	0.50 and 2.00 Euro
	70281102	Coin Drop Assembly	Taiwan; 10 and 50 NT
	70482401	Coin Drop Assembly	New Zealand; \$1.00 and \$2.00
3	70058501	Pop Rivet	

Electronic Coin Meter Assembly

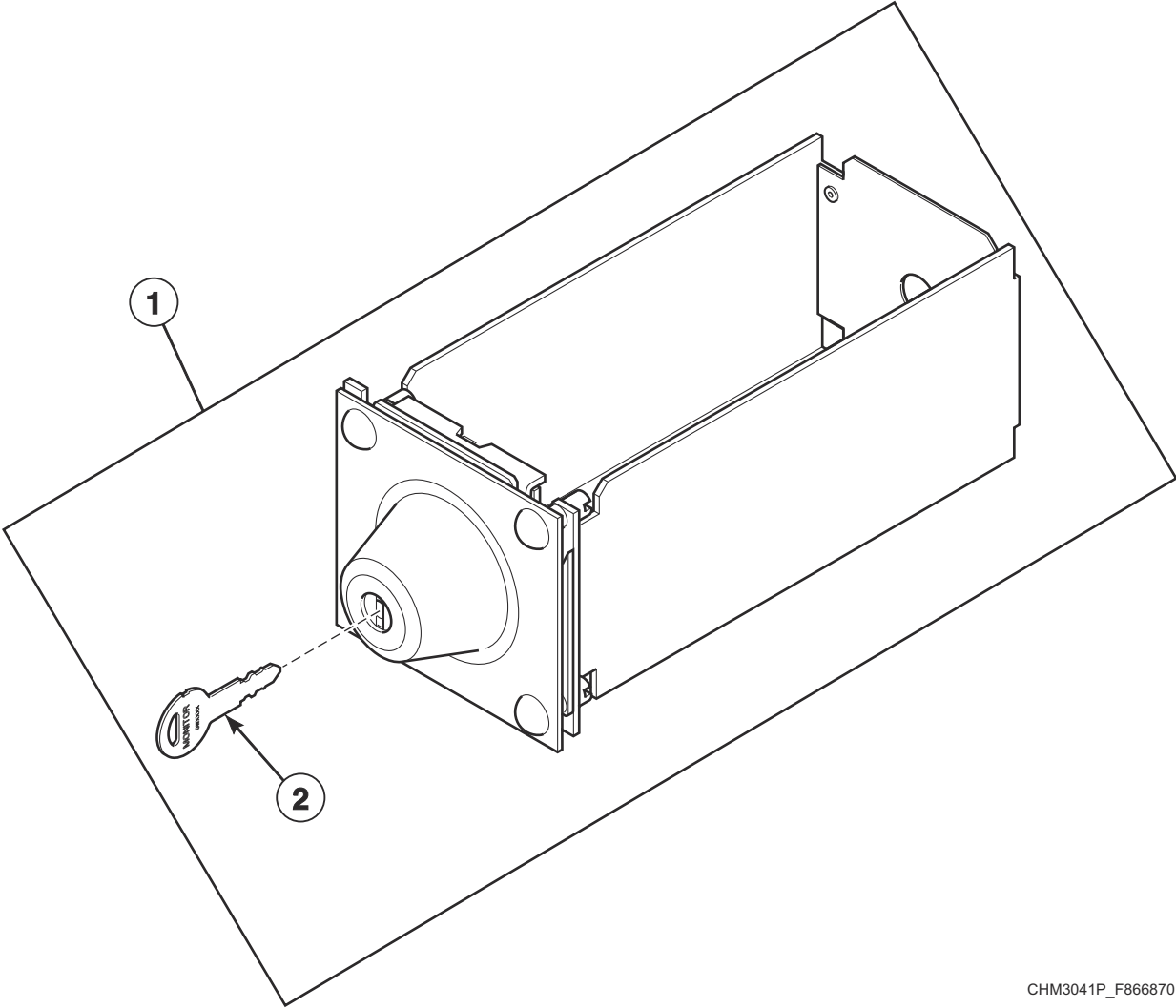


C-CHM6P6_F8668701

Electronic Coin Meter Assembly

REF	PART NO.	DESCRIPTION	COMMENTS
	44374701	App Pay Overlay Kit	
	38725	Coin Identification Paper	
	CK500	Electronic Coin Drop Kit	For use when installing Electronic Coin Drop Kits
	F8034701P	Pulse Expander Assembly	
1	F430215	Nut	
2	70513302	Electronic Coin Drop Assembly	Euro and Great Britain coins
	70513310	Electronic Coin Drop Assembly	Japan and Thailand coins
	70513304	Electronic Coin Drop Assembly	Australia, New Zealand, Hong Kong and South Korea coins
	70513303	Electronic Coin Drop Assembly	Denmark, Norway and Euro coins
	70513306	Electronic Coin Drop Assembly	Mexico, Ecuador and U.S.A. coins
	70294107	Electronic Coin Drop Assembly	Lithuania, Latvia and Euro coins
	70513311	Electronic Coin Drop Assembly	Chiand Malaysia coins
	70513308	Electronic Coin Drop Assembly	South African 1 and 5 rand coins
	70513309	Electronic Coin Drop Assembly	Euro coins
	70513312	Electronic Coin Drop Assembly	Russia coins
	70513313	Electronic Coin Drop Assembly	Philippines coins
	70513314	Electronic Coin Drop Assembly	Thailand coins
	70513315	Electronic Coin Drop Assembly	Chile coins
	70513316	Electronic Coin Drop Assembly	Singapore coins
	CK115	Electronic Coin Drop Kit	United States and Canada; Includes 38725 Coin Identification Paper
	CK099	Electronic Coin Drop Kit	Australia (default), New Zealand, Hong Kong, South Korea and Malaysia; Includes 38725 Coin Identification Paper
	CK100	Electronic Coin Drop Kit	United Kingdom (default) and Europe; Includes 38725 Coin Identification Paper
	CK101	Electronic Coin Drop Kit	Europe (default), Denmark and Norway; Includes 38725 Coin Identification Paper
	CK108	Electronic Coin Drop Kit	South Africa; Includes 38725 Coin Identification Paper
	CK109	Electronic Coin Drop Kit	Euro; Includes 38725 Coin Identification Paper
	CK110	Electronic Coin Drop Kit	Mexico (default), Ecuador and United States; Includes 38725 Coin Identification Paper
	CK113	Electronic Coin Drop Kit	Japan and Taiwan; Includes 38725 Coin Identification Paper
	CK116	Electronic Coin Drop Kit	Malaysia (default) and China; Includes 38725 Coin Identification Paper
	CK117	Electronic Coin Drop Kit	Russia; Includes 38725 Coin Identification Paper
	CK118	Electronic Coin Drop Kit	Philippine; Includes 38725 Coin Identification Paper
	CK119	Electronic Coin Drop Kit	Thailand; Includes 38725 Coin Identification Paper
	CK120	Electronic Coin Drop Kit	Chile; Includes 38725 Coin Identification Paper
	CK121	Electronic Coin Drop Kit	Singapore; Includes 38725 Coin Identification Paper
	CK122	Coin Drop Kit	New Zealand; 1.00 and 2.00; Includes 38725 Coin Identification Paper

Optional Coin Box

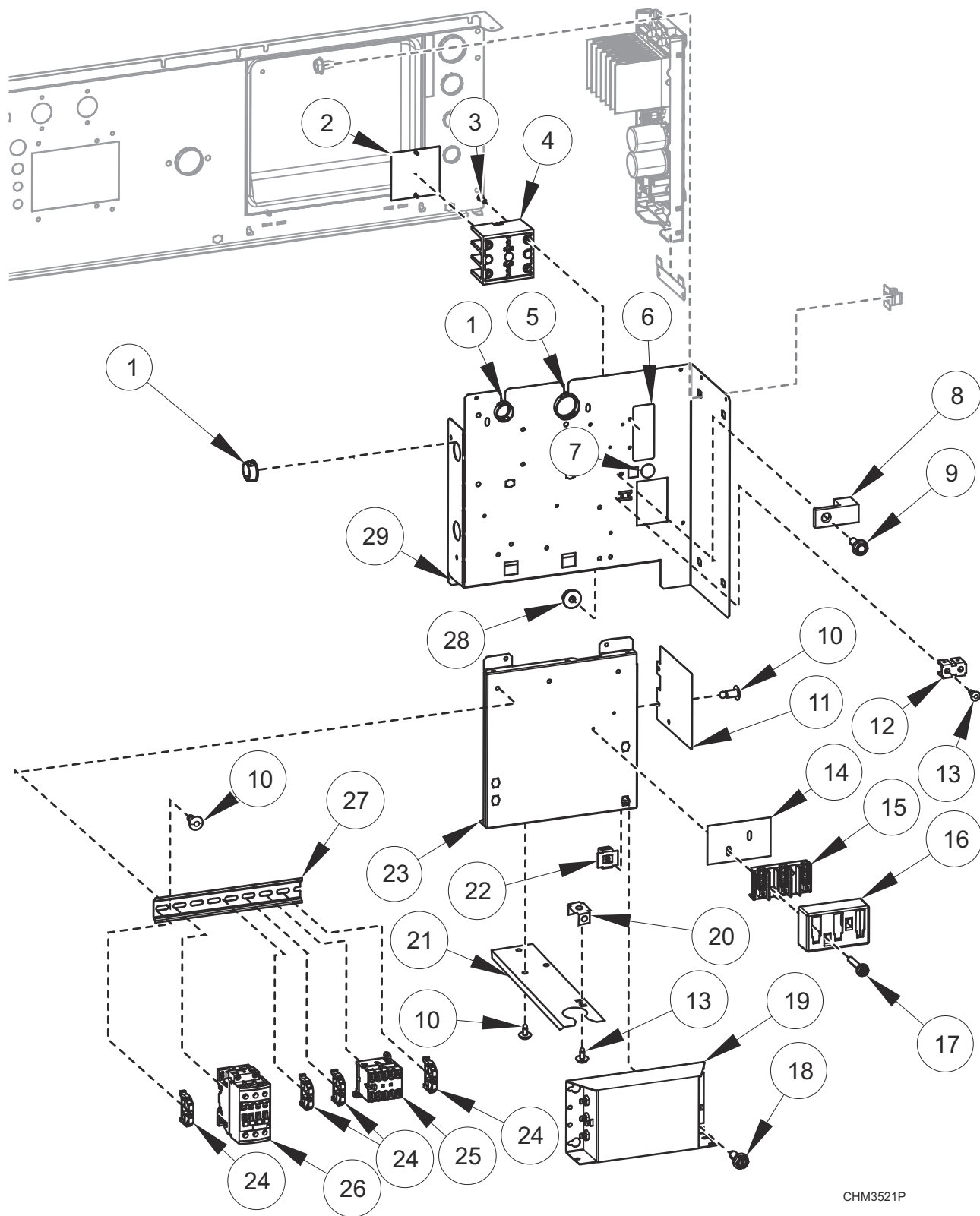


CHM3041P_F8668701

Optional Coin Box

REF	PART NO.	DESCRIPTION	COMMENTS
1	F8182001	Coin Drawer Assembly	
2	F160420	Key	GW0023

Inverter Drive Box - 20 and 30 Pound Models with B Voltage

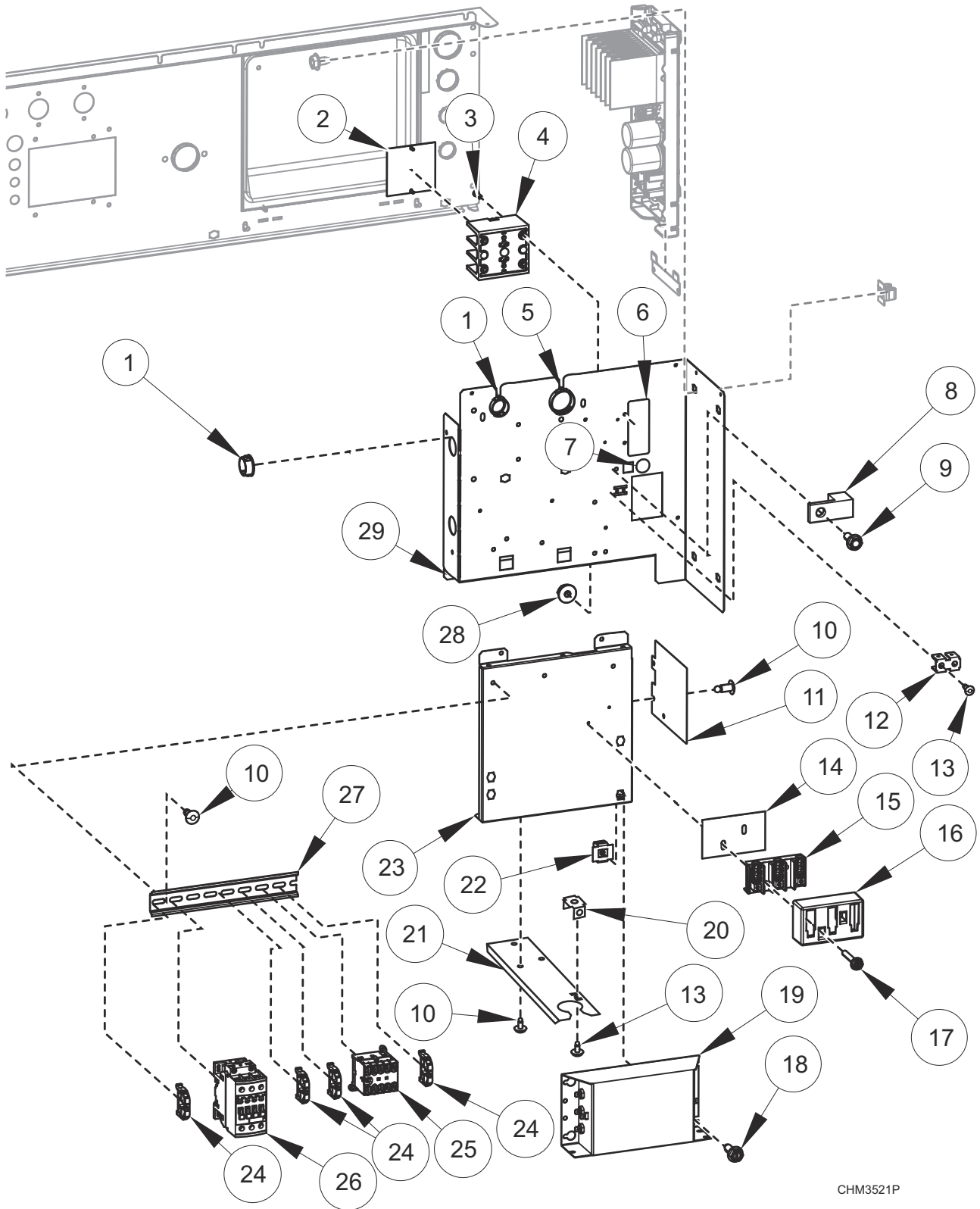


CHM3521P

Inverter Drive Box - 20 and 30 Pound Models with B Voltage

REF	PART NO.	DESCRIPTION	COMMENTS
	F8567001	Drive Panel Base Assembly	Includes items 10-13, 21, 25 and 27
	F8662801	Filter Kit	Includes items 1, 14-20, harnesses and labels
	F8518405	Harness	Power TB1
	F8518604	Harness	Power drive
	F8528001	Harness	TB filter
	F8528002	Harness	PDB filter; Electric heat
	F8528004	Harness	TB Filter
	F8528006	Harness	TB2 Filter
	F8619101	Power Harness	Power contactor; Electric heat
	F8619102	Harness	Power contactor; Electric heat
1	F140938	Snap Bushing	
2	44014901P	Power Distribution Block Cover	Electric heat
3	39733	Screw	Electric heat
4	M413865	Power Distribution Block	Electric heat
5	70346501	Bushing	
6	44286801	Label	Power input; L1, N
7	D516100	Label	
8	M411283	Ground Lug Connector	
9	685837	Screw	
10	70058501	Pop Rivet	
11	F8616901	Drive Shield	
12	00622SG	Terminal	
13	M400003	Pop Rivet	
14	M413862	Insulator	
15	430642	Terminal Block	
16	70333001	Terminal Block Shield	
17	51783	Screw	
18	F8206901	Screw	
19	F8591601	EMI Filter	
20	00621SG	Male Tab Terminal	IEC models
21	F8744301	Harness Support Bracket	IEC models
22	70030501	Expansion Clip	
23	F8530901	Contactory Tray	
24	F8449801	End Stop	
25	70482601	Contactory	5.5kW/500V; 24VDC
26	70482701	Contactory	50A; 24VDC
27	M412689	DIN Rail	7.5 mm x 35 mm x 8.364 inch
28	44088001	Nut	
29	F8530801	Drive Terminal Tray	

Inverter Drive Box - 20 and 30 Pound Models with N, P, Q, W, X and Y Voltage

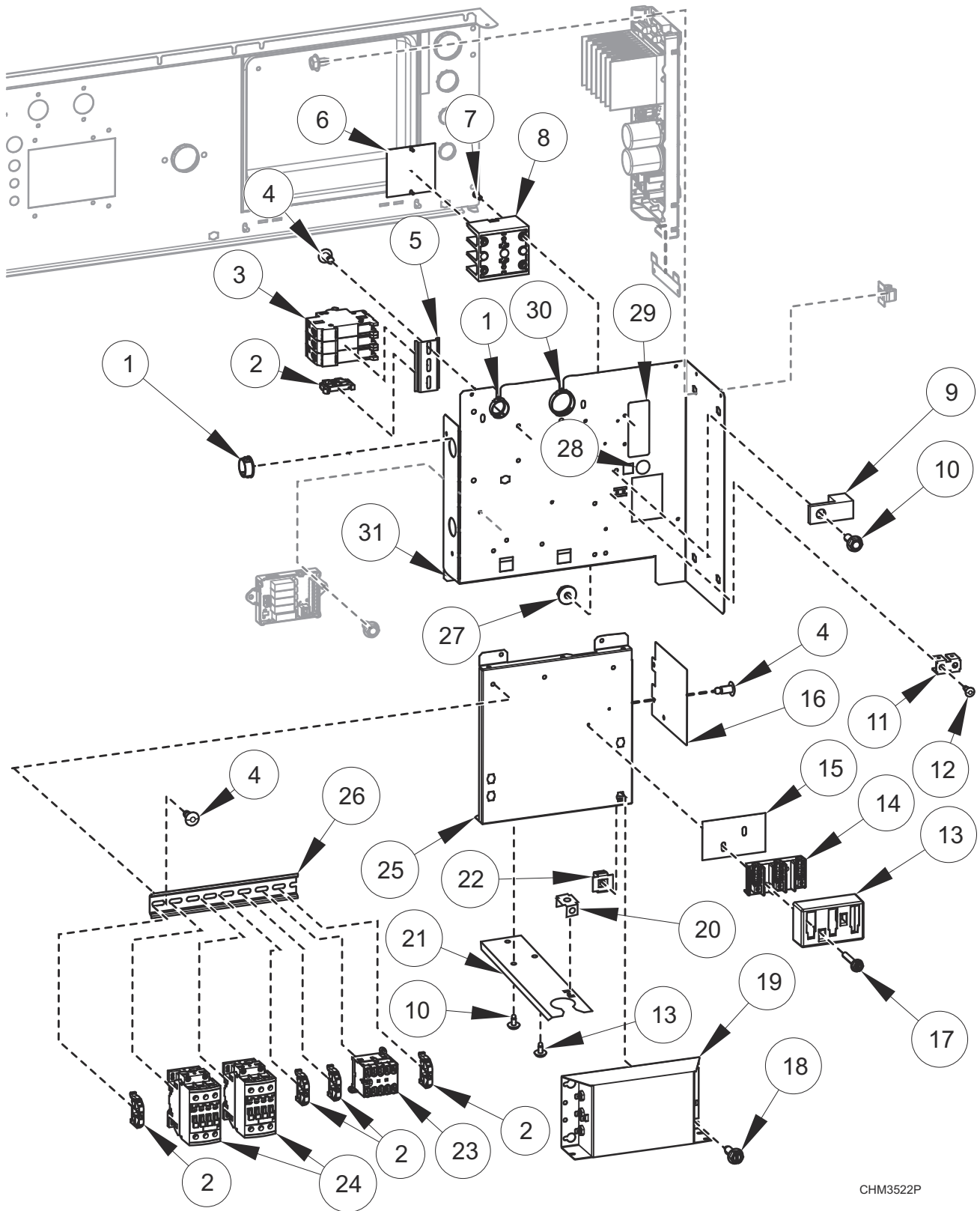


CHM3521P

Inverter Drive Box - 20 and 30 Pound Models with N, P, Q, W, X and Y Voltage

REF	PART NO.	DESCRIPTION	COMMENTS
	F8567001	Drive Panel Base Assembly	Includes items 10-13, 21, 25 and 27
	F8518401	Harness	Power TB1; W, X and Y voltage
	F8518501	Harness	Power TB1; N and P voltage
	F8518502	Harness	Power PDB; N and P voltage; Electric heat
	F8518402	Harness	Power PDB; Q voltage; Electric heat
	F8518404	Harness	Power filter; Q, W, X, and Y voltage
	F8518504	Harness	Power filter; N and P voltage
	F8518605	Harness	Power drive; Q, W, X, and Y voltage
	F8518606	Harness	Power drive; N and P voltage
	F8528001	Harness	TB filter
	F8528002	Harness	PDB filter; Electric heat
	F8528005	Harness	TB2 Filter; N, P, Q, W, X, and Y voltage
	F8619101	Power Harness	Power contactor; Electric heat
	F8619102	Harness	Power contactor; Electric heat
	F8662809	Filter Kit	Includes items 1, 14-20, harnesses and labels; Q voltage; Electric heat
	F8662810	Filter Kit	Includes items 1, 14-20, harnesses and labels; N and P voltage; Electric heat
	F8662803	Filter Kit	Includes items 1, 14-20, harnesses and labels; W, X and Y voltage
	F8662805	Filter Kit	Includes items 1, 14-20, harnesses and labels; N and P voltage
1	F140938	Snap Bushing	
2	44014901P	Power Distribution Block Cover	Electric heat
3	39733	Screw	Electric heat
4	M413865	Power Distribution Block	Electric heat
5	70346501	Bushing	
6	44286803	Label	Power input; L1, L2, L3; N and P voltage
	44286804	Wire Label	Power input; L1, L2/N; L1, L2, L3; W, X and Y voltage
7	D516100	Label	
8	M411283	Ground Lug Connector	
9	685837	Screw	
10	70058501	Pop Rivet	
11	F8616901	Drive Shield	
12	00622SG	Terminal	
13	M400003	Pop Rivet	
14	M413862	Insulator	
15	430642	Terminal Block	
16	70333001	Terminal Block Shield	
17	51783	Screw	
18	F8206901	Screw	
19	F8591801	EMI Filter	
	F8637501	EMI Filter	
20	00621SG	Male Tab Terminal	IEC models
21	F8744301	Harness Support Bracket	IEC models
22	70030501	Expansion Clip	
23	F8530901	Contactors Tray	
24	F8449801	End Stop	
25	70482601	Contactors	5.5kW/500V; 24VDC
26	70482701	Contactors	50A; 24VDC
27	M412689	DIN Rail	7.5 mm x 35 mm x 8.364 inch
28	44088001	Nut	
29	F8530801	Drive Terminal Tray	

Inverter Drive Box - 40 Pound Models with B Voltage

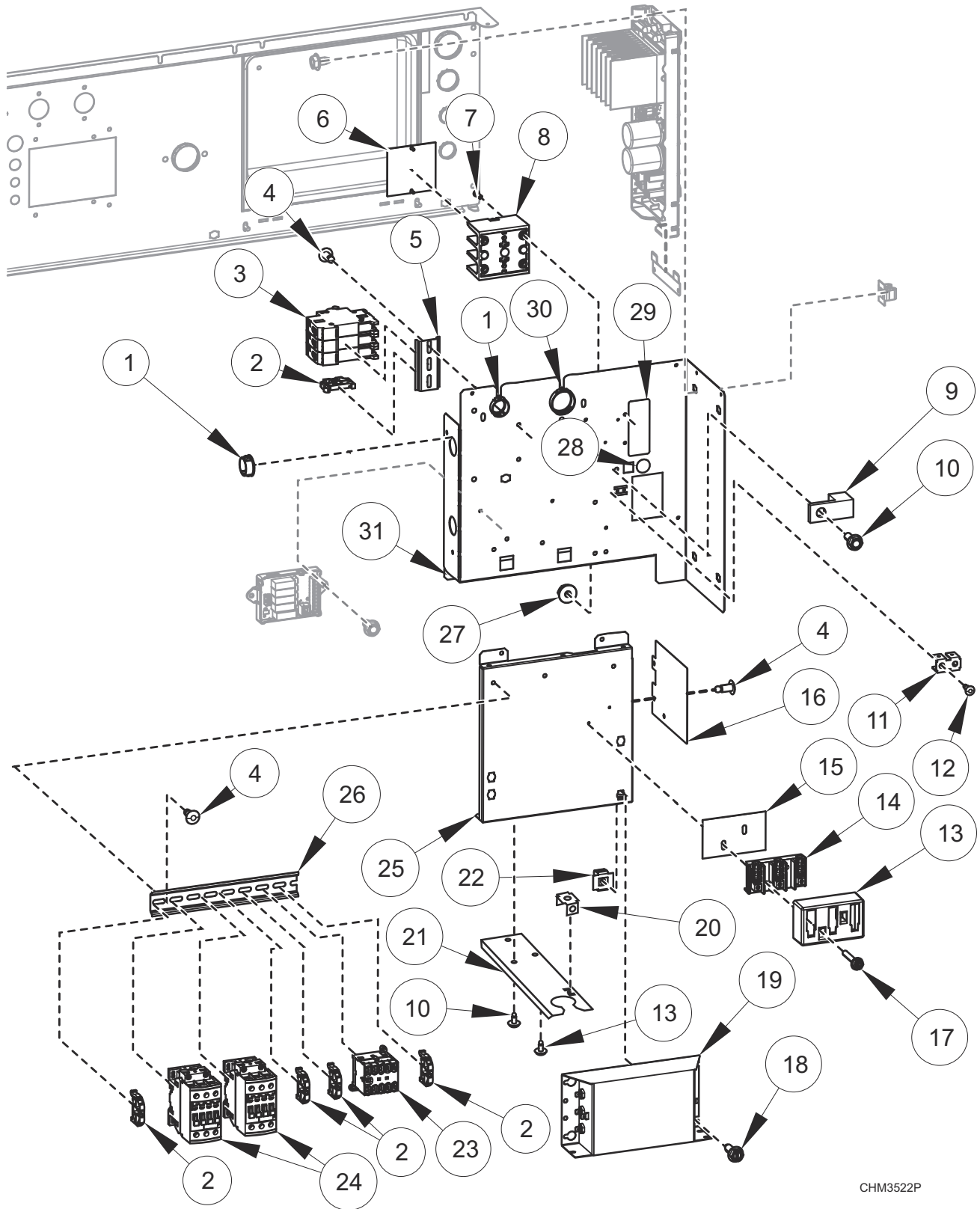


CHM3522P

Inverter Drive Box - 40 Pound Models with B Voltage

REF	PART NO.	DESCRIPTION	COMMENTS
	F8567001	Drive Panel Base Assembly	Includes items 4, 11, 12, 16, 23, 24 and 29
	F8567002	Drive Panel Base Assembly	Electric heat; Includes items 4, 5, 11, 12, 16, 23, 24 and 29
	F8583501	Jumper	Circuit breaker jumper; Electric heat
	F8518405	Harness	Power TB1
	F8518604	Harness	Power drive
	F8528001	Harness	TB filter
	F8528003	Harness	CB filter; Electric heat
	F8528004	Harness	TB filter
	F8528006	Harness	TB2 filter
	F8619101	Power Harness	Power contactor; Electric heat
	F8619102	Harness	Power contactor; Electric heat
	F8662802	Filter Kit	Includes items 1, 14, 15, 17-20, harnesses and labels; B voltage
1	F140938	Snap Bushing	
2	F8449801	End Stop	
3	70488101	Circuit Breaker	3P; 25A; Electric heat
4	70058501	Pop Rivet	
5	B12315401	DIN Rail	7.5 mm x 35 mm x 72 mm; Electric heat
6	44014901P	Power Distribution Block Cover	Electric heat
7	39733	Screw	Electric heat
8	M413865	Power Distribution Block	Electric heat
9	M411283	Ground Lug Connector	
10	685837	Screw	
11	00622SG	Terminal	
12	M400003	Pop Rivet	
13	70333001	Terminal Block Shield	
14	430642	Terminal Block	
15	M413862	Insulator	
16	F8616901	Drive Shield	
17	51783	Screw	
18	F8206901	Screw	
19	F8591601	EMI Filter	
20	00621SG	Male Tab Terminal	IEC models
21	F8744301	Harness Support Bracket	IEC models
22	70030501	Expansion Clip	
23	70482601	Contactator	5.5kW/500V; 24VDC; Electric heat; Drive power
24	70482701	Contactator	50A; 24VDC
25	F8530901	Contactator Tray	
26	M412689	DIN Rail	7.5 mm x 35 mm x 8.364 inch
27	44088001	Nut	
28	D516100	Label	
29	44286801	Label	Power input; L1, N
30	70346501	Bushing	
31	F8530801	Drive Terminal Tray	

Inverter Drive Box - 40 Pound Models with N, P, Q, W, X and Y Voltage

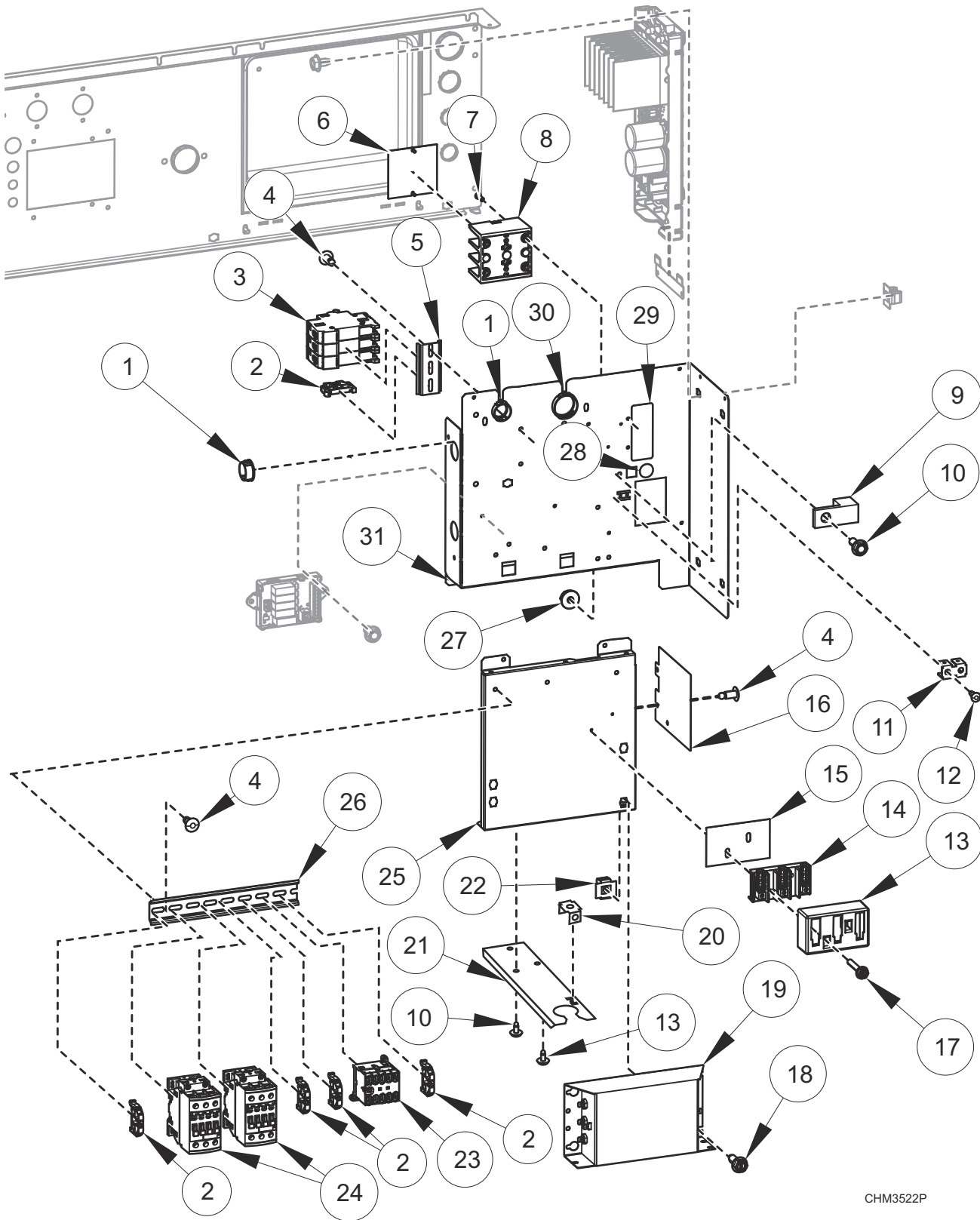


CHM3522P

Inverter Drive Box - 40 Pound Models with N, P, Q, W, X and Y Voltage

REF	PART NO.	DESCRIPTION	COMMENTS
	F8567001	Drive Panel Base Assembly	Includes items 4, 11, 12, 16, 23, 24 and 29
	F8567002	Drive Panel Base Assembly	Electric heat; Includes items 4, 5, 11, 12, 16, 23, 24 and 29
	F8583501	Jumper	Circuit breaker jumper; Electric heat
	F8518401	Harness	Power TB1; W, X and Y voltage
	F8518501	Harness	Power TB1; N and P voltage
	F8518504	Harness	Power filter; N and P voltage
	F8518605	Harness	Power drive; Q, W, X, and Y voltage
	F8518606	Harness	Power drive; N and P voltage
	F8528001	Harness	TB filter
	F8528003	Harness	CB filter; Electric heat
	F8528005	Harness	TB2 Filter; N, P, Q, W, X, and Y voltage
	F8518503	Harness	Power CB; N and P voltage; Electric heat
	F8518403	Harness	Power CB; Q voltage; Electric heat
	F8619101	Power Harness	Power contactor; Electric heat
	F8619102	Harness	Power contactor; Electric heat
	F8662811	Filter Kit	Includes items 1, 14, 15, 17-20, harnesses and labels; Q voltage; Electric heat
	F8662812	Filter Kit	Includes items 1, 14, 15, 17-20, harnesses and labels; N and P voltage; Electric heat
	F8662804	Filter Kit	Includes items 1, 14, 15, 17-20, harnesses and labels; W, X and Y voltage
	F8662806	Filter Kit	Includes items 1, 14, 15, 17-20, harnesses and labels; N and P voltage
1	F140938	Snap Bushing	
2	F8449801	End Stop	
3	70488101	Circuit Breaker	3P; 25A; Electric heat
4	70058501	Pop Rivet	
5	B12315401	DIN Rail	7.5 mm x 35 mm x 72 mm; Electric heat
6	44014901P	Power Distribution Block Cover	Electric heat
7	39733	Screw	Electric heat
8	M413865	Power Distribution Block	Electric heat
9	M411283	Ground Lug Connector	
10	685837	Screw	
11	00622SG	Terminal	
12	M400003	Pop Rivet	
13	70333001	Terminal Block Shield	
14	430642	Terminal Block	
15	M413862	Insulator	
16	F8616901	Drive Shield	
17	51783	Screw	
18	F8206901	Screw	
19	F8591801	EMI Filter	Q, W, X and Y voltage
	F8637501	EMI Filter	N and P voltage
20	00621SG	Male Tab Terminal	IEC models
21	F8744301	Harness Support Bracket	IEC models
22	70030501	Expansion Clip	
23	70482601	Contactora	5.5kW/500V; 24VDC; Electric heat
24	70482701	Contactora	50A; 24VDC
25	F8530901	Contactora Tray	
26	M412689	DIN Rail	7.5 mm x 35 mm x 8.364 inch
27	44088001	Nut	
28	D516100	Label	
29	44286803	Label	Power input; L1, L2, L3; N and P voltage
	44286804	Wire Label	Power input; L1, L2/N; L1, L2, L3; W, X and Y voltage
30	70346501	Bushing	
31	F8530801	Drive Terminal Tray	

Inverter Drive Box - 60 Pound Models with Q and X Voltage

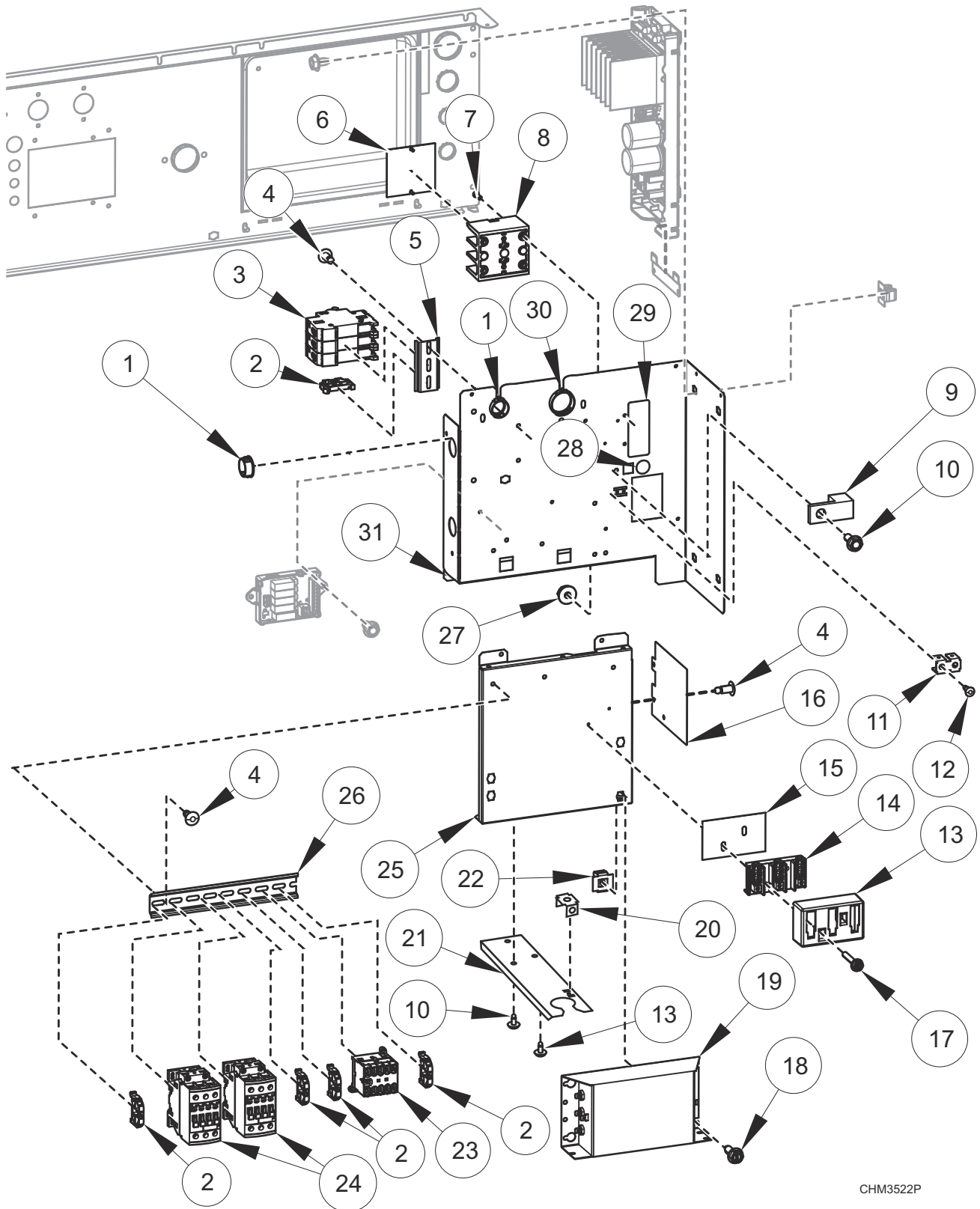


CHM3522P

Inverter Drive Box - 60 Pound Models with Q and X Voltage

REF	PART NO.	DESCRIPTION	COMMENTS
	F8567003	Drive Panel Base Assembly	Includes items 4, 11, 12, 16, 23, 24 and 29
	F8567004	Drive Panel Base Assembly	Electric heat; Includes items 4, 5, 11, 12, 16, 23, 24 and 29
	F8583501	Jumper	Circuit breaker jumper; Electric heat
	F8518401	Harness	Power TB1; X voltage
	F8518404	Harness	Power filter
	F8518607	Harness	Power drive
	F8528001	Harness	TB filter
	F8528003	Harness	CB filter; Electric heat
	F8528005	Harness	TB2 Filter
	F8518403	Harness	Power CB; Q voltage; Electric heat
	F8619101	Power Harness	Power contactor; Electric heat
	F8619102	Harness	Power contactor; Electric heat
	F8662811	Filter Kit	Includes items 1, 14, 15, 17-20, harnesses and labels; Q voltage; Electric heat
	F8662804	Filter Kit	Includes items 1, 14, 15, 17-20, harnesses and labels; X voltage
1	F140938	Snap Bushing	
2	F8449801	End Stop	
3	70488101	Circuit Breaker	3P; 25A; Electric heat
4	70058501	Pop Rivet	
5	B12315401	DIN Rail	7.5 mm x 35 mm x 72 mm; Electric heat
6	44014901P	Power Distribution Block Cover	Electric heat
7	39733	Screw	Electric heat
8	M413865	Power Distribution Block	Electric heat
9	M411283	Ground Lug Connector	
10	685837	Screw	
11	00622SG	Terminal	
12	M400003	Pop Rivet	
13	70333001	Terminal Block Shield	
14	430642	Terminal Block	
15	M413862	Insulator	
16	F8616901	Drive Shield	
17	51783	Screw	
18	F8206901	Screw	
19	F8591801	EMI Filter	
20	00621SG	Male Tab Terminal	IEC models
21	F8744301	Harness Support Bracket	IEC models
22	70030501	Expansion Clip	
23	70482601	Contactora	5.5kW/500V; 24VDC
24	70482701	Contactora	50A; 24VDC
25	F8530901	Contactora Tray	
26	M412689	DIN Rail	7.5 mm x 35 mm x 8.364 inch
27	44088001	Nut	
28	D516100	Label	
29	44286804	Wire Label	Power input; L1, L2/N; L1, L2, L3; X voltage
30	70346501	Bushing	
31	F8530803	Drive Terminal Tray	

Inverter Drive Box - 60 Pound Models with N and P Voltage

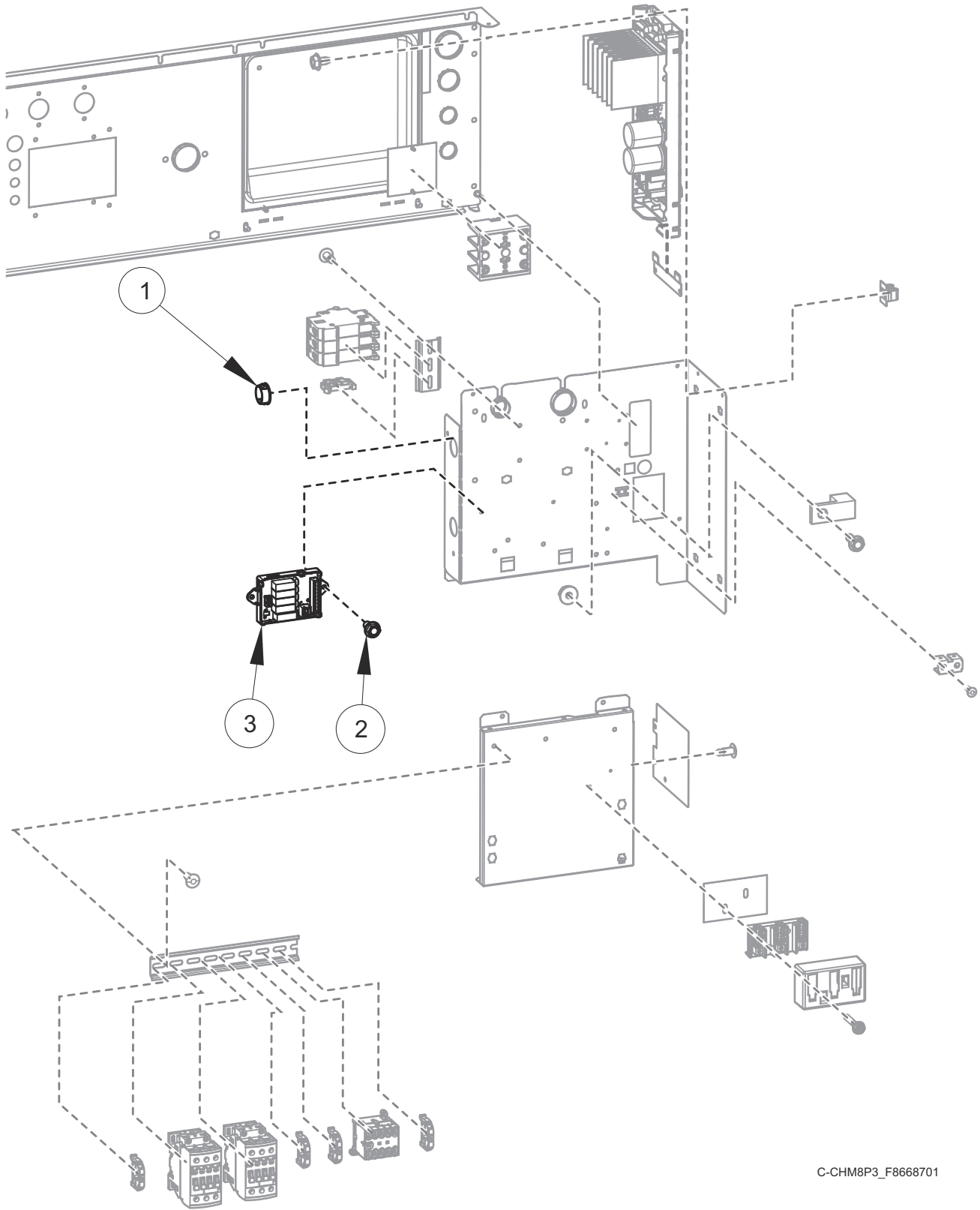


CHM3522P

Inverter Drive Box - 60 Pound Models with N and P Voltage

REF	PART NO.	DESCRIPTION	COMMENTS
	F8567003	Drive Panel Base Assembly	Includes items 4, 11, 12, 16, 23, 24 and 29
	F8567004	Drive Panel Base Assembly	Electric heat; Includes items 4, 5, 11, 12, 16, 23, 24 and 29
	F8583501	Jumper	Circuit breaker jumper; Electric heat
	F8518501	Harness	Power TB1; N and P voltage
	F8518503	Harness	Power CB; Electric heat
	F8518504	Harness	Power filter
	F8518606	Harness	Power drive
	F8528001	Harness	TB filter
	F8528003	Harness	CB filter; Electric heat
	F8528005	Harness	TB2 Filter
	F8619101	Power Harness	Power contactor; Electric heat
	F8619102	Harness	Power contactor; Electric heat
	F8662812	Filter Kit	Includes items 1, 14, 15, 17-20, harnesses and labels; Electric heat
	F8662806	Filter Kit	Includes items 1, 14, 15, 17-20, harnesses and labels
1	F140938	Snap Bushing	
2	F8449801	End Stop	
3	70488101	Circuit Breaker	3P; 25A; Electric heat
4	70058501	Pop Rivet	
5	B12315401	DIN Rail	7.5 mm x 35 mm x 72 mm; Electric heat
6	44014901P	Power Distribution Block Cover	Electric heat
7	39733	Screw	Electric heat
8	M413865	Power Distribution Block	Electric heat
9	M411283	Ground Lug Connector	
10	685837	Screw	
11	00622SG	Terminal	
12	M400003	Pop Rivet	
13	70333001	Terminal Block Shield	
14	430642	Terminal Block	
15	M413862	Insulator	
16	F8616901	Drive Shield	
17	51783	Screw	
18	F8206901	Screw	
19	F8637501	EMI Filter	
20	00621SG	Male Tab Terminal	IEC models
21	F8744301	Harness Support Bracket	IEC models
22	70030501	Expansion Clip	
23	70482601	Contactors	5.5kW/500V; 24VDC
24	70482701	Contactors	50A; 24VDC
25	F8530901	Contactors Tray	
26	M412689	DIN Rail	7.5 mm x 35 mm x 8.364 inch
27	44088001	Nut	
28	D516100	Label	
29	44286803	Label	Power input; L1, L2, L3
30	70346501	Bushing	
31	F8530803	Drive Terminal Tray	

External Supply Kit

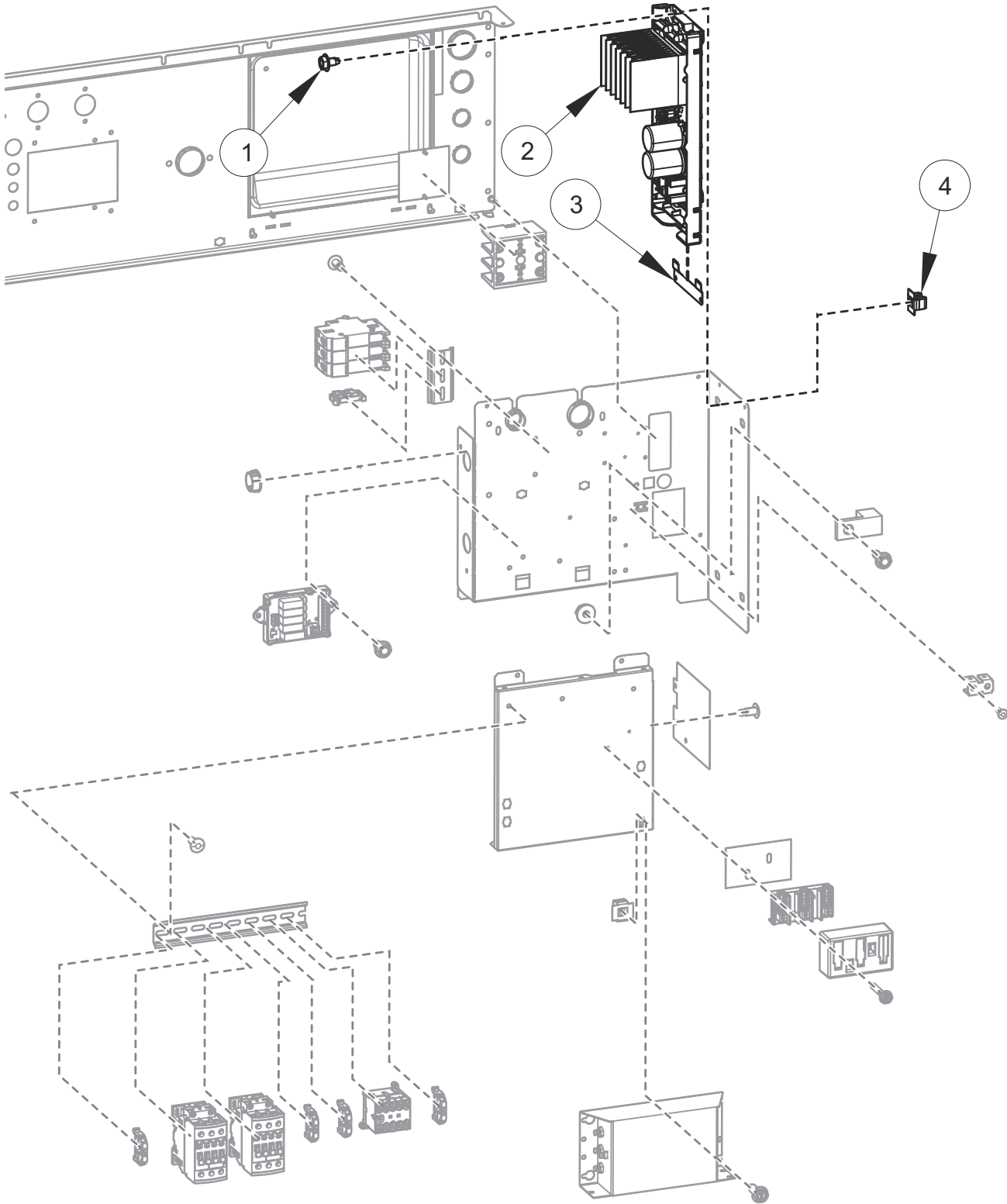


C-CHM8P3_F8668701

External Supply Kit

REF	PART NO.	DESCRIPTION	COMMENTS
	F8520601	Harness	Communication; 20 and 30 pound models
	F8520602	Harness	Communication; 40 and 60 pound models
	F8528203	Harness	Power; B voltage
	F8528204	Harness	Power; N, P, Q, W, X and Y voltage
	F8662501	External Supply Kit	20 and 30 pound card ready models with B voltage; Includes items 1-3, F8520601 Harness, F8528203 Harness and labels; 4 out
	F8662502	External Supply Kit	40 pound card ready models with B voltage; Includes items 1-3, F8520602 Harness, F8528203 Harness and labels; 4 out
	F8662503	External Supply Kit	20 and 30 pound card ready models with N, P, Q and X voltage; Includes items 1-3, F8520601 Harness, F8528204 Harness and labels; 4 out
	F8662504	External Supply Kit	40 and 60 pound card ready models with N, P, Q and X voltage; Includes items 1-3, F8520602 Harness, F8528204 Harness and labels; 4 out
	F8662505	External Supply Kit	20 and 30 pound coin and central pay models with B voltage; Includes items 1-3, 202757 Transformer, F8520601 Harness, F8528203 Harness, hardware and labels; 4 out
	F8662506	External Supply Kit	40 pound coin and central pay models with B voltage; Includes items 1-3, 202757 Transformer, F8520601 Harness, F8528203 Harness, hardware and labels; 4 out
	F8662507	External Supply Kit	20 and 30 pound coin and central pay models with N, P, Q and X voltage; Includes items 1-3, 202758 Transformer, F8520601 Harness, F8528204 Harness, hardware and labels; 4 out
	F8662508	External Supply Kit	40 and 60 pound coin and central pay models with N, P, Q and X voltage; Includes items 1-3, F8520602 Harness, F8528204 Harness, hardware and labels; 4 out
1	F140938	Snap Bushing	
2	430497	Screw	
3	804528	Chemical Injection Control	5 output
	70493102	Connector	9 pin; H2

Inverter Drive

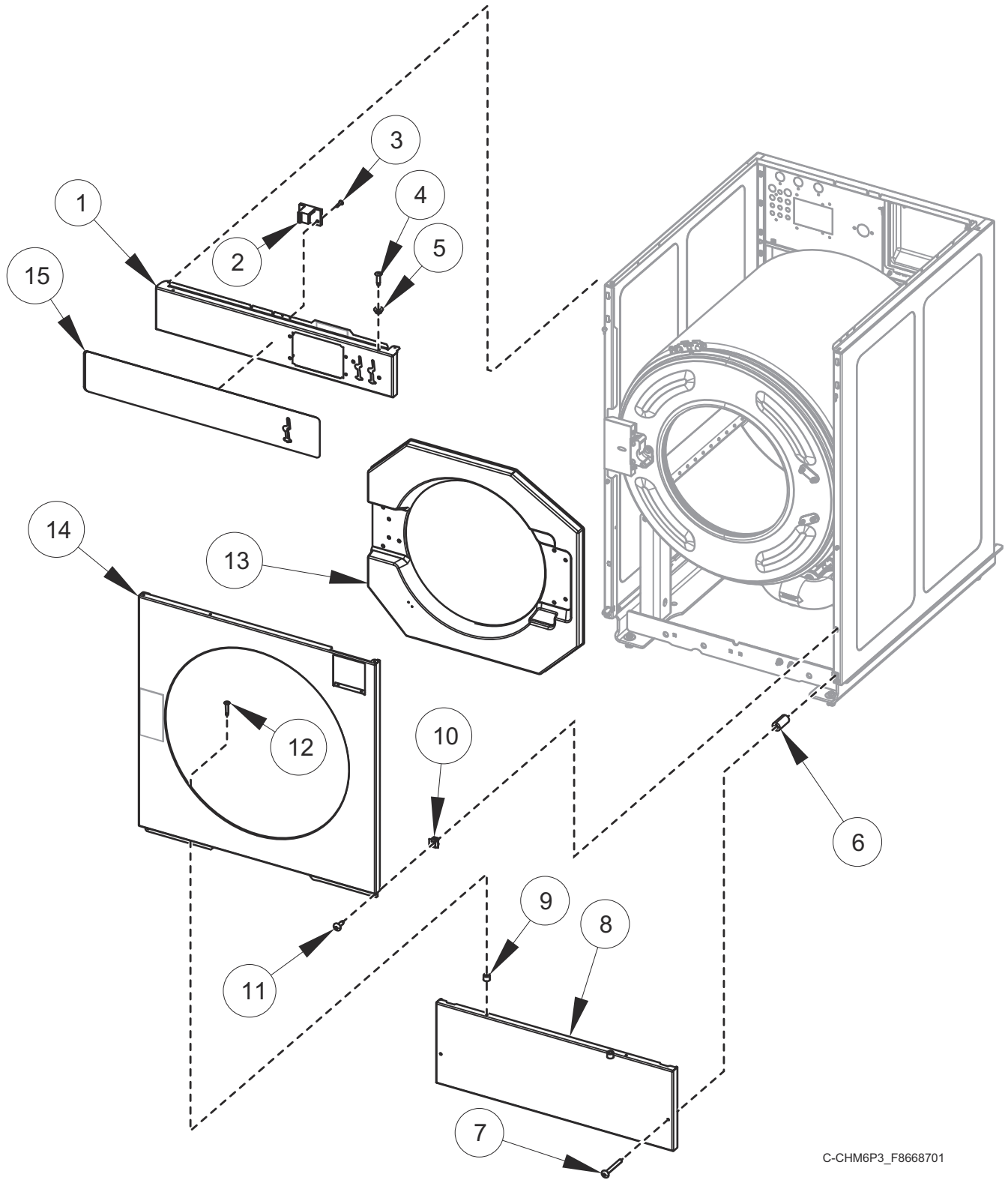


C-CHM2P22_F8668701

Inverter Drive

REF	PART NO.	DESCRIPTION	COMMENTS
	F8519202	Drive Communication Harness	20 and 30 pound models; 40 and 60 pound models with N and P voltage; Electric heat
	F8519203	Drive Communication Harness	40 and 60 pound models Q voltage; Electric heat
	F8519201	Drive Communication Harness	Standard
	F8519204	Drive Communication Harness	Steam heat
	F8518605	Harness	Power drive; 20, 30 and 40 pound models with Q, W, X and Y voltage; EMI filter
	F8518607	Harness	60 pound models models with Q and X voltage; EMI filter
	F8518606	Harness	Power drive; N and P voltage; EMI filter
	F8518602	Drive Power Harness	Q, W, X and Y voltage
	F8518603	Drive Power Harness	N and P voltage
	F8518601	Drive Power Harness	B voltage
1	D503688	Screw	
2	F8496001	Drive Assembly	20, 30 and 40 pound models; N and P voltage; 2 hp; 480 Volt
	F8495401P	Drive Assembly	20, 30 and 40 pound models; B, Q, W X and Y voltage; 2 hp; 120/240 Volt
	F8496301P	Drive Assembly	60 pound models; Q and X voltage; 3 hp; 240 Volt
	F8496901	Drive Assembly	60 pound models; N and P voltage; 5 hp; 480 Volt
3	F8322401	Drive Mounting Bracket	2 included with N and P voltage
4	70030501	Expansion Clip	

Front Panels and Control Panel - Coin Models - Design 4

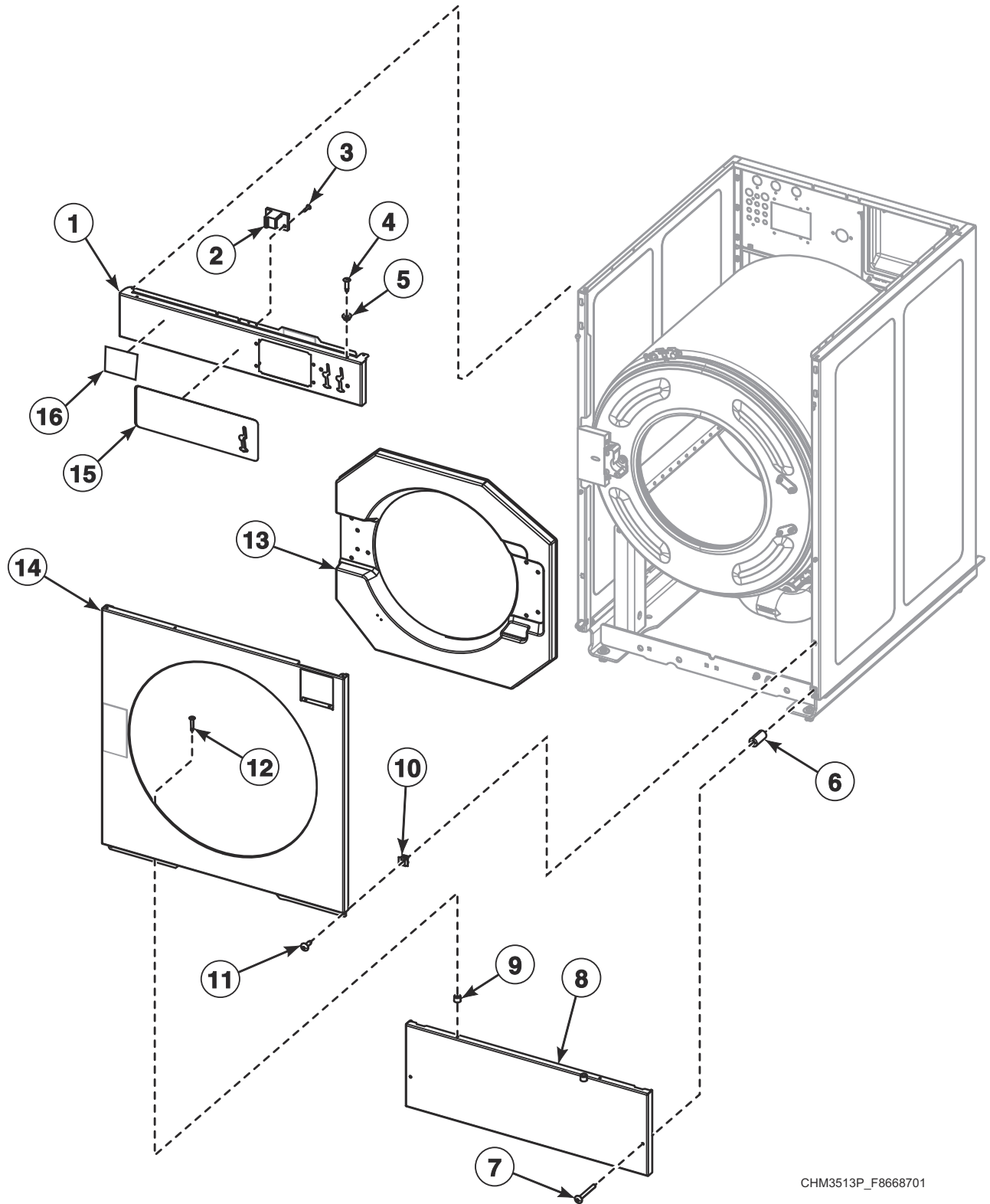


C-CHM6P3_F8668701

Front Panels and Control Panel - Coin Models - Design 4

REF	PART NO.	DESCRIPTION	COMMENTS
1	F8523701	Control Panel Assembly	20 pound models
	F8523801	Control Panel Assembly	30 pound models
	F8523901	Control Panel Assembly	40 pound models
	F8553701	Control Panel Assembly	60 pound models
2	F8201001	Top Cover Latch	
3	F431215	Pop Rivet	
4	70412601	Pop Rivet	
5	F8201101	Washer	
6	F8609701	Access Panel Retaining Spacer	
7	F8589501	Screw	
8	F8524001	Access Panel	20 pound models
	F8524101	Access Panel	30 pound models
	F8524201	Access Panel	40 pound models
	F8553901	Access Panel	60 pound models
9	56079	Panel Locator	
10	70030501	Expansion Clip	
11	F8117601	Screw	
12	M412763	Rivet	
13	F8658701	Door Bezel	20 pound models
	F8658901	Door Bezel	30 pound models
	F8659101	Door Bezel	40 and 60 pound models
14	F8524301	Front Panel	20 pound models
	F8524401	Front Panel	30 pound models
	F8524501	Front Panel	40 pound models
	F8554001	Front Panel	60 pound models
15	F8655701	Overlay	20 pound models; Single coin
	F8655702	Overlay	20 pound models; Dual coin
	F8655801	Overlay	30 pound models; Single coin
	F8655802	Overlay	30 pound models; Dual coin
	F8655901	Overlay	40 pound models; Single coin
	F8655902	Overlay	40 pound models; Dual coin
	F8656001	Overlay	60 pound models; Single coin
	F8656002	Overlay	60 pound models; Dual coin

Front Panels and Control Panel - Coin Models - Design 6

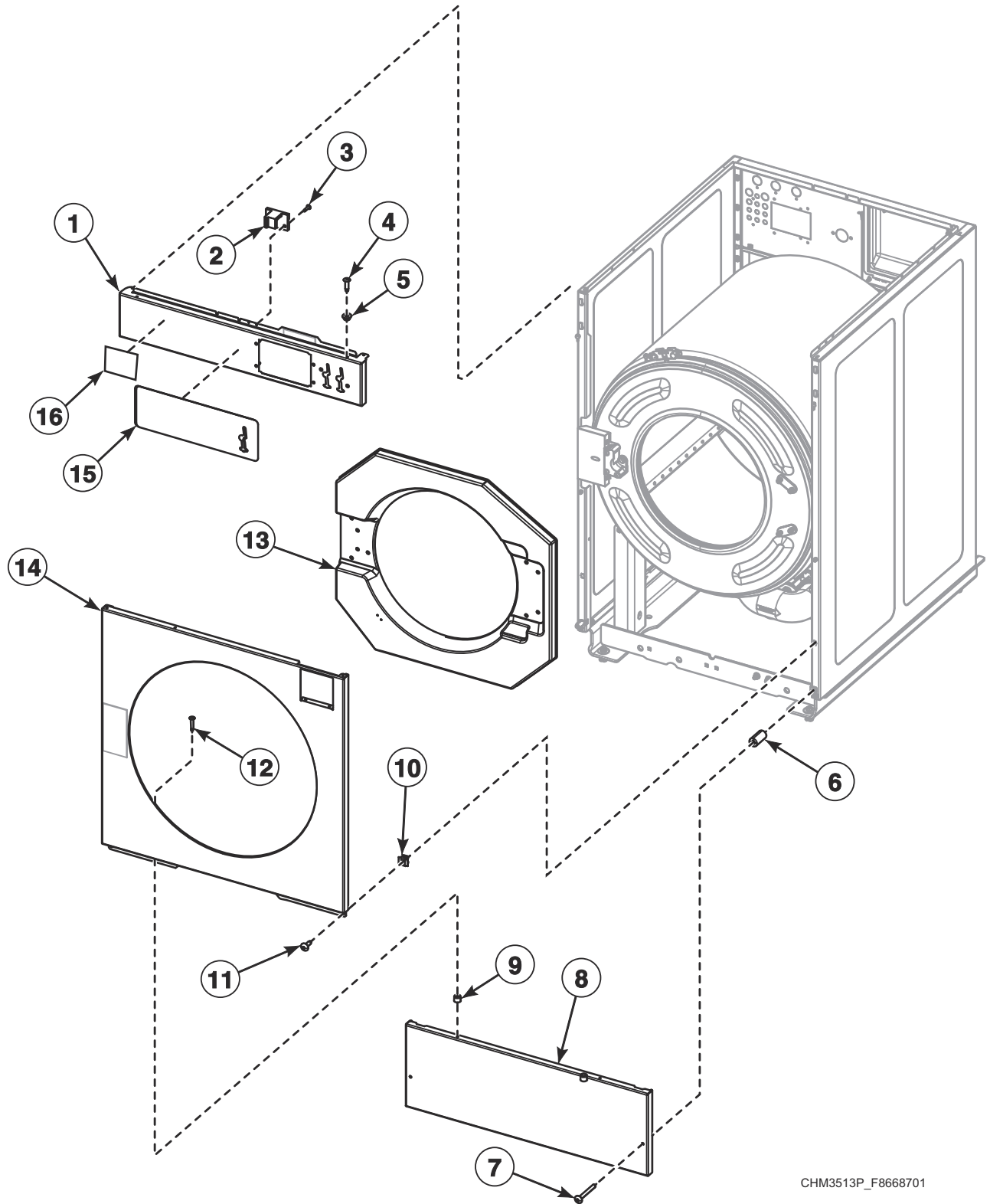


CHM3513P_F8668701

Front Panels and Control Panel - Coin Models - Design 6

REF	PART NO.	DESCRIPTION	COMMENTS
	F8698801	Instruction Label	English/Spanish
	F8698901	Instruction Label	Icon
	F8699702	Basket Capacity Label	20 pound models
	F8699703	Basket Capacity Label	30 pound models
	F8699704	Basket Capacity Label	40 pound models
	F8699706	Basket Capacity Label	60 pound models
1	F8697101	Control Panel Assembly	20 pound models
	F8697201	Control Panel Assembly	30 pound models
	F8697301	Control Panel Assembly	40 pound models
	F8697401	Control Panel Assembly	60 pound models
2	F8201001	Top Cover Latch	
3	F431215	Pop Rivet	
4	70412601	Pop Rivet	
5	F8201101	Washer	
6	F8609701	Access Panel Retaining Spacer	
7	F8589501	Screw	
8	F8524001	Access Panel	20 pound models
	F8524101	Access Panel	30 pound models
	F8524201	Access Panel	40 pound models
	F8553901	Access Panel	60 pound models
9	56079	Panel Locator	
10	70030501	Expansion Clip	
11	F8117601	Screw	
12	M412763	Rivet	
13	F8658701	Door Bezel	20 pound models
	F8658901	Door Bezel	30 pound models
	F8659101	Door Bezel	40 and 60 pound models
14	F8686001	Front Panel	20 pound models
	F8686101	Front Panel	30 pound models
	F8685301	Front Panel	40 pound models
	F8686201	Front Panel	60 pound models
15	F8695301	Overlay	20, 30 and 40 pound models; Single coin
	F8695302	Overlay	20, 30 and 40 pound models; Dual coin
	F8695401	Overlay	60 pound models; Single coin
	F8695402	Overlay	60 pound models; Dual coin
16	F8688801	Nameplate	

Front Panels and Control Panel - Coin Models - Design 7

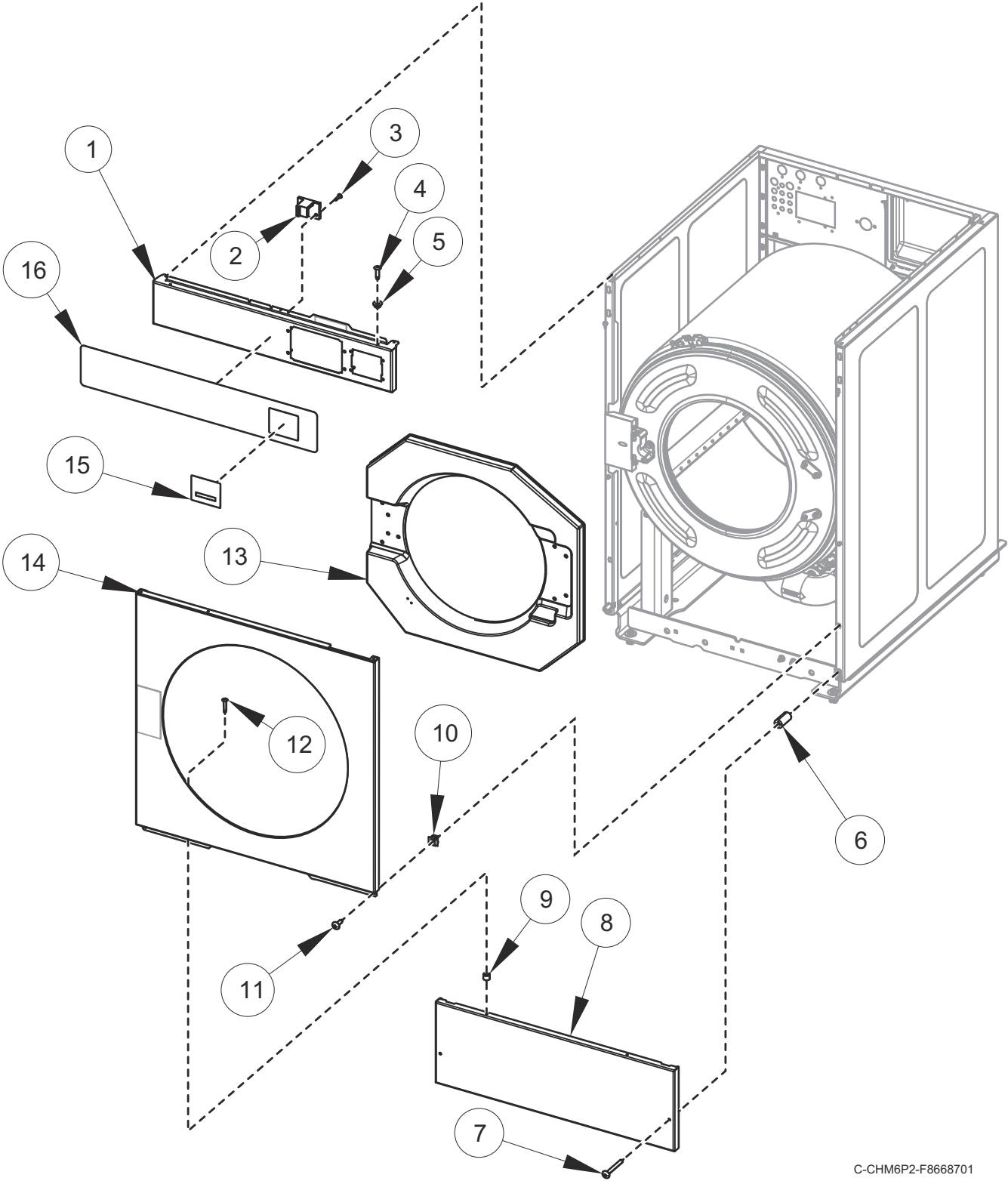


CHM3513P_F8668701

Front Panels and Control Panel - Coin Models - Design 7

REF	PART NO.	DESCRIPTION	COMMENTS
	70295101	Overlay	All markets except T; use with item 15
	F8698801	Instruction Label	English/Spanish
	F8698901	Instruction Label	Icon
	F8699702	Basket Capacity Label	20 pound models
	F8699703	Basket Capacity Label	30 pound models
	F8699704	Basket Capacity Label	40 pound models
	F8699706	Basket Capacity Label	60 pound models
1	F8697101	Control Panel Assembly	20 pound models
	F8697201	Control Panel Assembly	30 pound models
	F8697301	Control Panel Assembly	40 pound models
	F8697401	Control Panel Assembly	60 pound models
2	F8201001	Top Cover Latch	
3	F431215	Pop Rivet	
4	70412601	Pop Rivet	
5	F8201101	Washer	
6	F8609701	Access Panel Retaining Spacer	
7	F8589501	Screw	
8	F8524001	Access Panel	20 pound models
	F8524101	Access Panel	30 pound models
	F8524201	Access Panel	40 pound models
	F8553901	Access Panel	60 pound models
9	56079	Panel Locator	
10	70030501	Expansion Clip	
11	F8117601	Screw	
12	M412763	Rivet	
13	F8658701	Door Bezel	20 pound models
	F8658901	Door Bezel	30 pound models
	F8659101	Door Bezel	40 and 60 pound models
14	F8686001	Front Panel	20 pound models; T market models
	F8686101	Front Panel	30 pound models; T market models
	F8685301	Front Panel	40 pound models; T market models
	F8686201	Front Panel	60 pound models; T market models
	F8524303	Front Panel	20 pound models; A, H, K, L and Z markets
	F8424403	Front Panel	30 pound models; A, H, K, L and Z markets
	F8424503	Front Panel	40 pound models; A, H, K, L and Z markets
	F8554003	Front Panel	60 pound models; A, H, K, L and Z markets
15	F8731001	Overlay	T market 20 pound models; Single coin
	F8731101	Overlay	T market 30 pound models; Single coin
	F8731201	Overlay	T market 40 pound models; Single coin
	F8731301	Overlay	T market 60 pound models; Single coin
	F8731002	Overlay	T market 20 pound models; Dual coin
	F8731102	Overlay	T market 30 pound models; Dual coin
	F8731202	Overlay	T market 40 pound models; Dual coin
	F8731302	Overlay	T market 60 pound models; Dual coin
	F8655701	Overlay	all other markets; 20 pound models; Single coin
	F8655702	Overlay	all other markets; 20 pound models; Dual coin
	F8655801	Overlay	all other markets; 30 pound models; Single coin
	F8655802	Overlay	all other markets; 30 pound models; Dual coin
	F8655901	Overlay	all other markets; 40 pound models; Single coin
	F8655902	Overlay	all other markets; 40 pound models; Dual coin
	F8656001	Overlay	all other markets; 60 pound models; Single coin
	F8656002	Overlay	all other markets; 60 pound models; Dual coin
16	F8688801	Nameplate	

Front Panels and Control Panel - Card Reader and Central Pay Models - Design 4

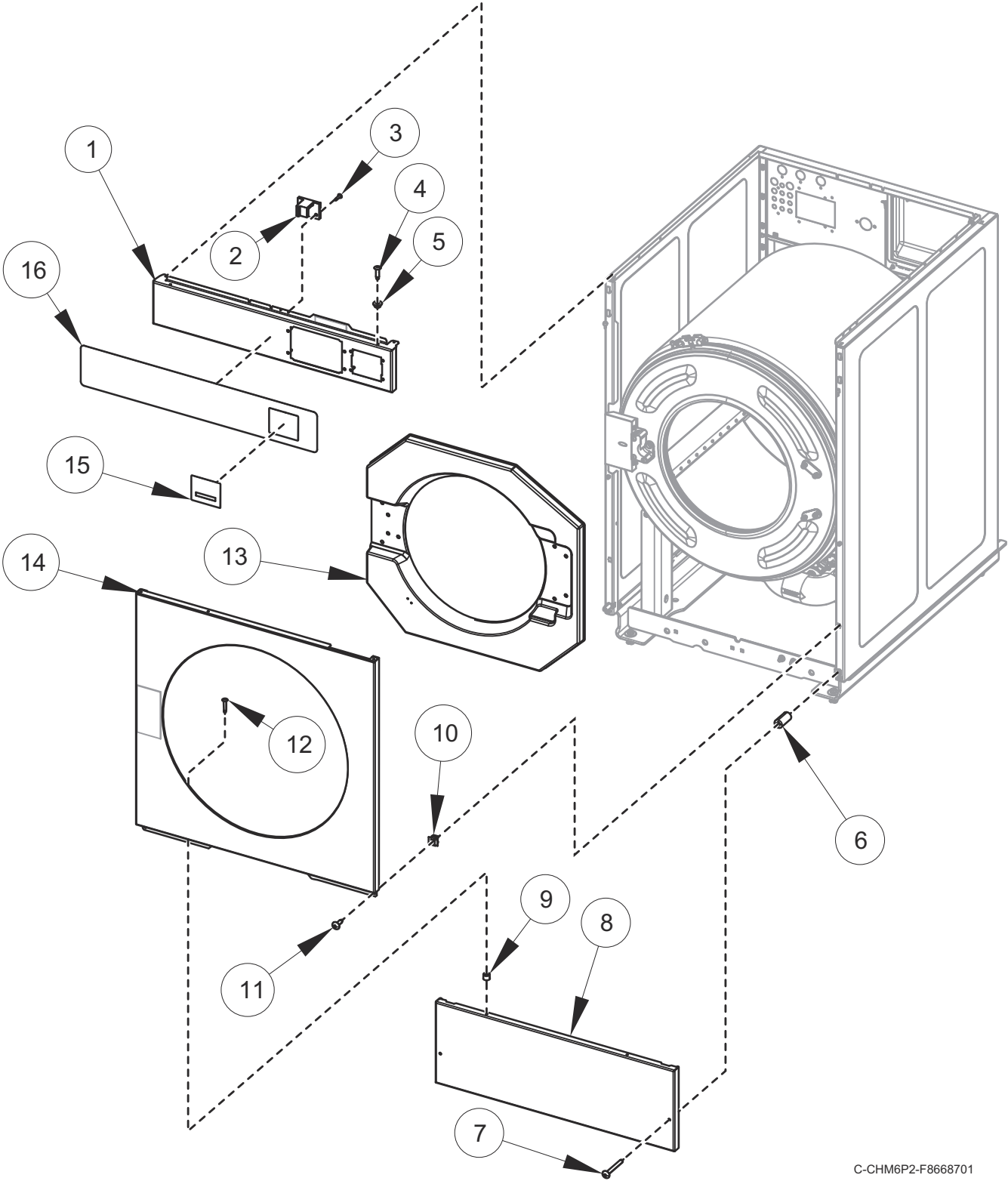


C-CHM6P2-F8668701

Front Panels and Control Panel - Card Reader and Central Pay Models - Design 4

REF	PART NO.	DESCRIPTION	COMMENTS
1	F8523704	Control Panel Assembly	20 pound models
	F8523804	Control Panel Assembly	30 pound models
	F8523904	Control Panel Assembly	40 pound models
	F8553704	Control Panel Assembly	60 pound models
2	F8201001	Top Cover Latch	
3	F431215	Pop Rivet	
4	70412601	Pop Rivet	
5	F8201101	Washer	
6	F8609701	Access Panel Retaining Spacer	
7	F8589501	Screw	
8	F8524001	Access Panel	20 pound models
	F8524101	Access Panel	30 pound models
	F8524201	Access Panel	40 pound models
	F8553901	Access Panel	60 pound models
9	56079	Panel Locator	
10	70030501	Expansion Clip	
11	F8117601	Screw	
12	M412763	Rivet	
13	F8658801	Door Bezel	20 pound models
	F8658901	Door Bezel	30 pound models
	F8659101	Door Bezel	40 and 60 pound models
14	F8524302	Front Panel	20 pound models
	F8524402	Front Panel	30 pound models
	F8524502	Front Panel	40 pound models
	F8554002	Front Panel	60 pound models
15	70557001	Overlay	Card reader models
	70557002	Overlay	Central pay models
16	F8655703	Overlay	20 pound models
	F8655803	Overlay	30 pound models
	F8655903	Overlay	40 pound models
	F8656003	Overlay	60 pound models

Front Panels and Control Panel - Card Reader and Central Pay Models - Design 6

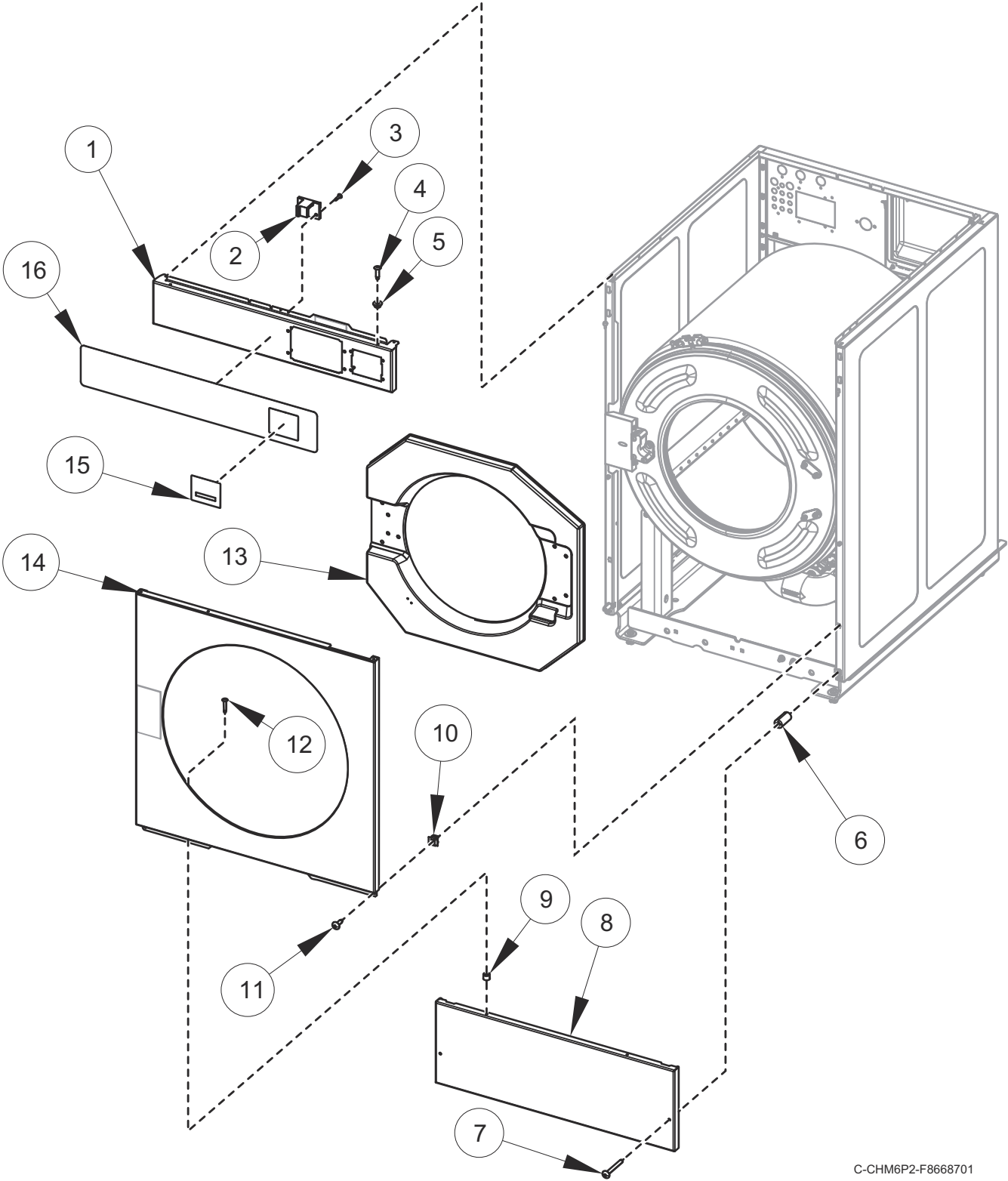


C-CHM6P2-F8668701

Front Panels and Control Panel - Card Reader and Central Pay Models - Design 6

REF	PART NO.	DESCRIPTION	COMMENTS
	F8698801	Instruction Label	English/Spanish
	F8698901	Instruction Label	Icon
	F8699702	Basket Capacity Label	20 pound models
	F8699703	Basket Capacity Label	30 pound models
	F8699704	Basket Capacity Label	40 pound models
	F8699706	Basket Capacity Label	60 pound models
1	F8697102	Control Panel Assembly	20 pound models
	F8697202	Control Panel Assembly	30 pound models
	F8697302	Control Panel Assembly	40 pound models
	F8697402	Control Panel Assembly	60 pound models
2	F8201001	Top Cover Latch	
3	F431215	Pop Rivet	
4	70412601	Pop Rivet	
5	F8201101	Washer	
6	F8609701	Access Panel Retaining Spacer	
7	F8589501	Screw	
8	F8524001	Access Panel	20 pound models
	F8524101	Access Panel	30 pound models
	F8524201	Access Panel	40 pound models
	F8553901	Access Panel	60 pound models
9	56079	Panel Locator	
10	70030501	Expansion Clip	
11	F8117601	Screw	
12	M412763	Rivet	
13	F8658801	Door Bezel	20 pound models
	F8658901	Door Bezel	30 pound models
	F8659101	Door Bezel	40 and 60 pound models
14	F8686002	Front Panel	20 pound models
	F8686102	Front Panel	30 pound models
	F8685302	Front Panel	40 pound models
	F8686202	Front Panel	60 pound models
15	F8696301	Overlay	Card reader models
	F8696302	Overlay	Central pay models
16	F8695303	Overlay	20, 30 and 40 pound models
	F8695403	Overlay	60 pound models

Front Panels and Control Panel - Card Reader and Central Pay Models - Design 7

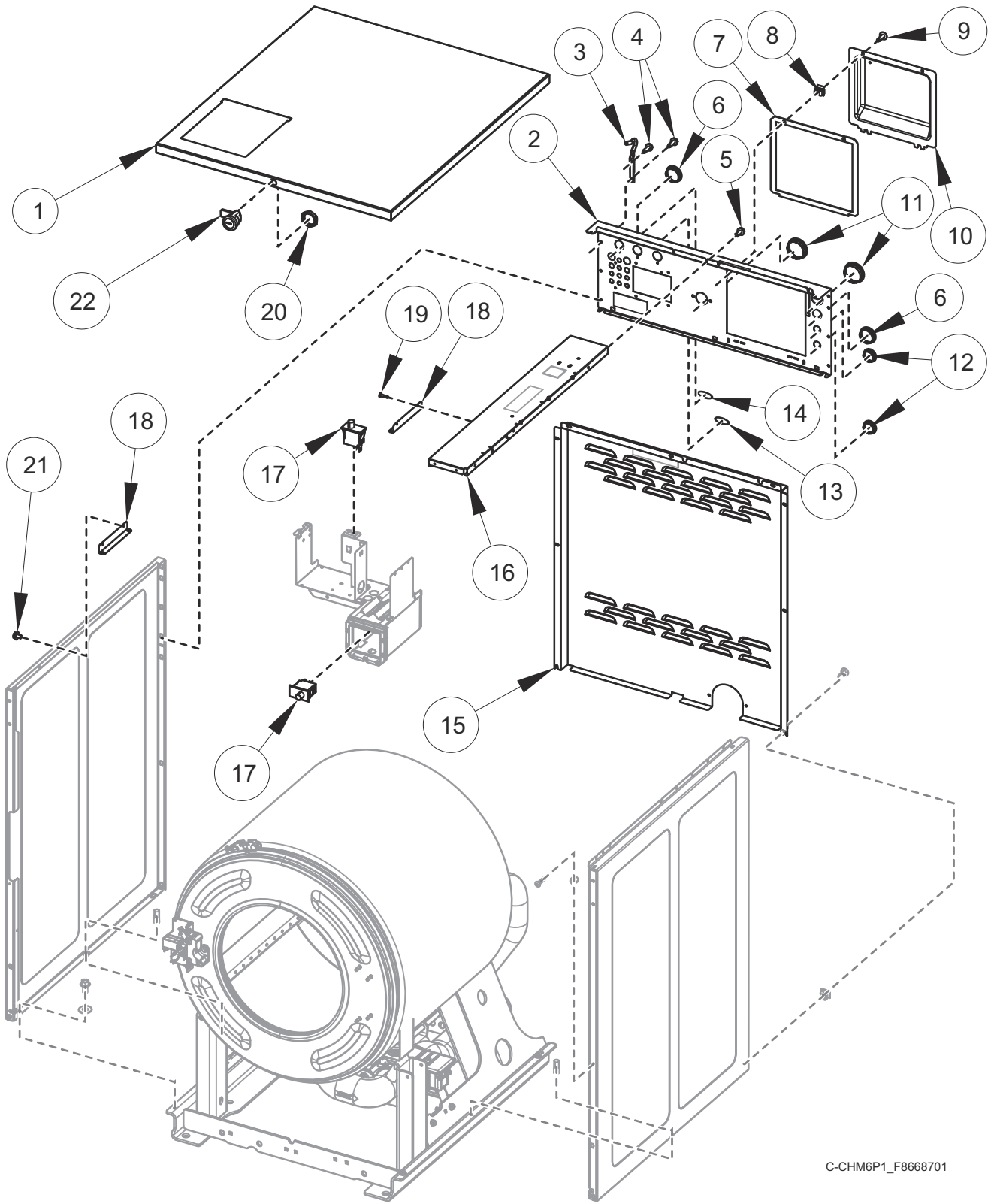


C-CHM6P2-F8668701

Front Panels and Control Panel - Card Reader and Central Pay Models - Design 7

REF	PART NO.	DESCRIPTION	COMMENTS
	F8698801	Instruction Label	English/Spanish
	F8698901	Instruction Label	Icon
	F8699702	Basket Capacity Label	20 pound models
	F8699703	Basket Capacity Label	30 pound models
	F8699704	Basket Capacity Label	40 pound models
	F8699706	Basket Capacity Label	60 pound models
1	F8697102	Control Panel Assembly	20 pound models
	F8697202	Control Panel Assembly	30 pound models
	F8697302	Control Panel Assembly	40 pound models
	F8697402	Control Panel Assembly	60 pound models
2	F8201001	Top Cover Latch	
3	F431215	Pop Rivet	
4	70412601	Pop Rivet	
5	F8201101	Washer	
6	F8609701	Access Panel Retaining Spacer	
7	F8589501	Screw	
8	F8524001	Access Panel	20 pound models
	F8524101	Access Panel	30 pound models
	F8524201	Access Panel	40 pound models
	F8553901	Access Panel	60 pound models
9	56079	Panel Locator	
10	70030501	Expansion Clip	
11	F8117601	Screw	
12	M412763	Rivet	
13	F8658801	Door Bezel	20 pound models
	F8658901	Door Bezel	30 pound models
	F8659101	Door Bezel	40 and 60 pound models
14	F8686002	Front Panel	20 pound models; T market models
	F8686102	Front Panel	30 pound models; T market models
	F8685302	Front Panel	40 pound models; T market models
	F8686202	Front Panel	60 pound models; T market models
	F8524304	Front Panel	20 pound models; A, H, K, L and Z markets
	F8424404	Front Panel	30 pound models; A, H, K, L and Z markets
	F8424504	Front Panel	40 pound models; A, H, K, L and Z markets
	F8554004	Front Panel	60 pound models; A, H, K, L and Z markets
15	F8696301	Overlay	Card reader models
	F8696302	Overlay	Central pay models
16	F8731003	Overlay	20 pound models
	F8731103	Overlay	30 pound models
	F8731203	Overlay	40 pound models
	F8731303	Overlay	60 pound models

Rear and Top Panels

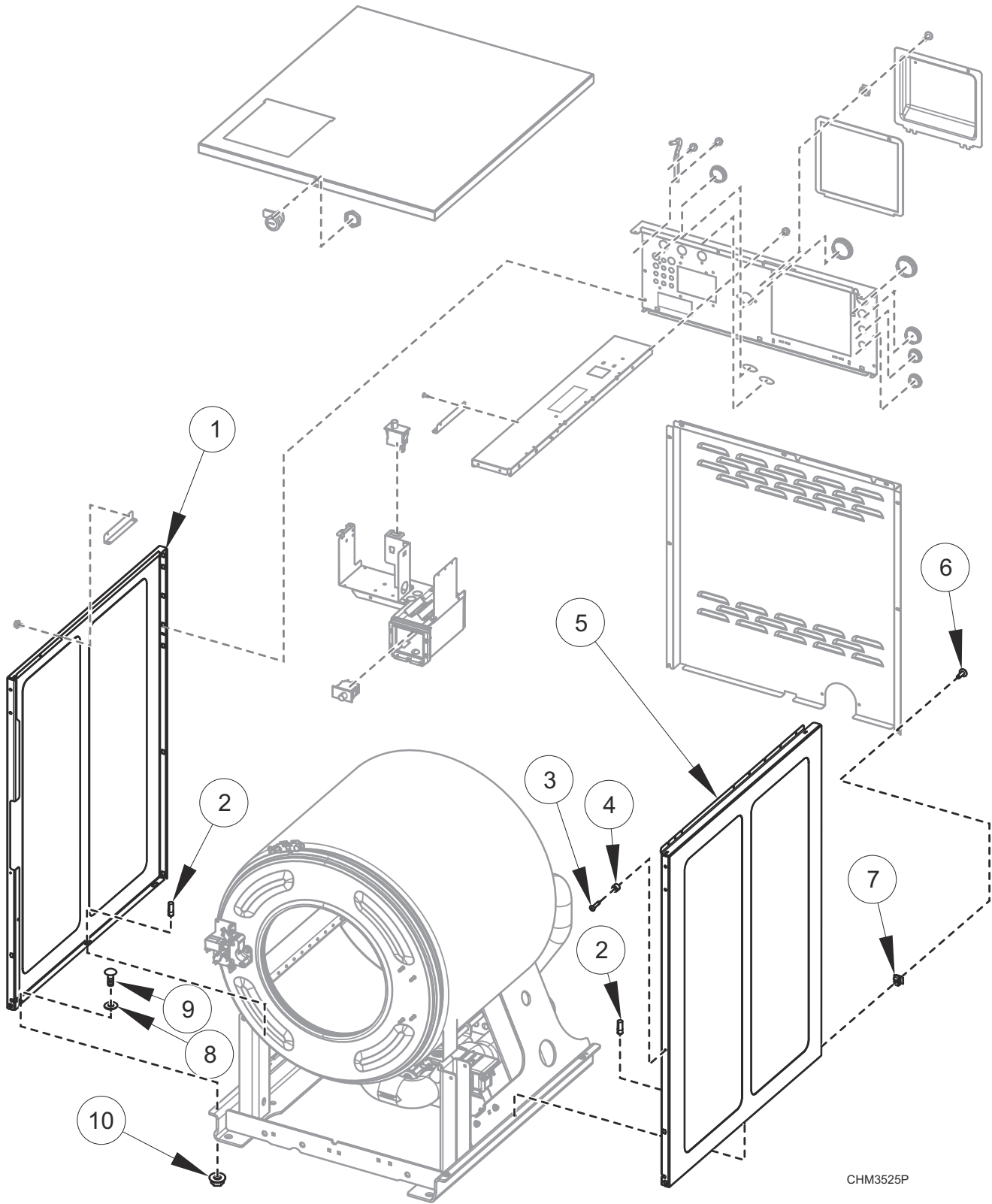


C-CHM6P1_F8668701

Rear and Top Panels

REF	PART NO.	DESCRIPTION	COMMENTS
1	F8525401	Top Cover	20 pound models
	F8525501	Top Cover	30 pound models
	F8525601	Top Cover	40 pound models
	F8554301	Top Cover	60 pound models
2	F8513101	Valve Panel	20 pound models
	F8513201	Valve Panel	30 pound models
	F8513301	Valve Panel	40 pound models
	F8554401	Valve Panel	60 pound models
3	F8258601	Top Cover Hinge	
4	F8206901	Screw	
5	33562	Screw	
6	F8223901	Plug	
7	F8542601	Gasket	
8	70030501	Expansion Clip	
9	F8117601	Screw	
10	F8518301	Terminal Tray Cover	
	F8521301	Cable	
11	F8223801	Hole Plug	
12	M400985	Plug	
13	F8611301	Label	Hot water
14	F8611401	Label	Cold water
15	F8527001	Rear Panel	20 pound models
	F8527101	Rear Panel	30 pound models
	F8527201	Rear Panel	40 pound models
	F8554501	Rear Panel	60 pound models
16	F8527301	Cabinet Brace	20 pound models
	F8527401	Cabinet Brace	30 pound models
	F8527501	Cabinet Brace	40 pound models
	F8553201	Cabinet Brace	60 pound models
17	70413301	Pushbutton Switch	
18	F8525701	Dispenser Bracket	
19	F431215	Pop Rivet	
20	44088801	Nut	
21	51780	Screw	
22	44089303P	Panel Lock	
	70155603	Key	

Side Panels

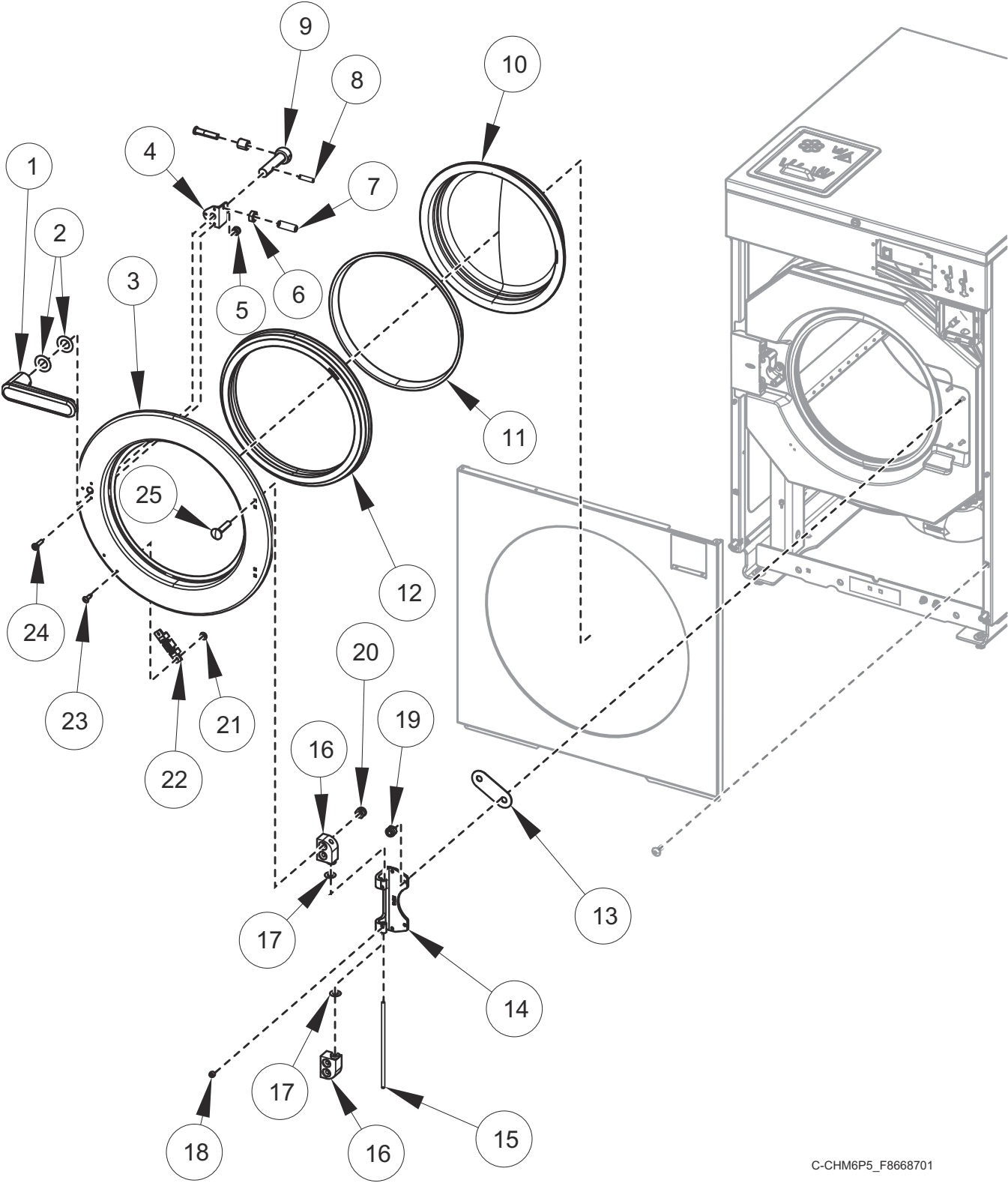


CHM3525P

Side Panels

REF	PART NO.	DESCRIPTION	COMMENTS
1	F8524602	Side Panel	20 pound models; Left
	F8524604	Side Panel	20 pound models; Left; Stainless steel; all markets through December 7, 2021; T market models starting December 8, 2021; models with 0 in 5th position of serial number starting December 8, 2021
	F8525606	Side Panel	20 pound models; Left; Painted; All markets except T with 6 in 5th position of serial number starting December 8, 2021
	F8524702	Side Panel	30 pound models; Left
	F8524704	Side Panel	30 pound models; Left; Stainless steel; all markets through December 7, 2021; T market models starting December 8, 2021; models with 0 in 5th position of serial number starting December 8, 2021
	F8524706	Side Panel	30 pound models; Left; Painted; All markets except T with 6 in 5th position of serial number starting December 8, 2021
	F8524802	Side Panel	40 pound models; Left
	F8524804	Side Panel	40 pound models; Left; Stainless steel; all markets through December 7, 2021; T market models starting December 8, 2021; models with 0 in 5th position of serial number starting December 8, 2021
	F8524806	Side Panel	40 pound models; Left; Painted; All markets except T with 6 in 5th position of serial number starting December 8, 2021
	F8554204	Side Panel	60 pound models; Left
	F8554202	Side Panel	60 pound models; Left; Stainless steel; all markets through December 7, 2021; T market models starting December 8, 2021; models with 0 in 5th position of serial number starting December 8, 2021
	F8554206	Side Panel	60 pound models; Left; Painted; All markets except T with 6 in 5th position of serial number starting December 8, 2021
	2	F8502101	Pin
3	M412763	Rivet	
4	56079	Panel Locator	
5	F8524601	Side Panel	20 pound models; Right
	F8524603	Side Panel	20 pound models; Right; Stainless steel; all markets through December 7, 2021; T market models starting December 8, 2021; models with 0 in 5th position of serial number starting December 8, 2021
	F8525605	Side Panel	20 pound models; Right; Painted; All markets except T with 6 in 5th position of serial number starting December 8, 2021
	F8524701	Side Panel	30 pound models; Right
	F8524703	Side Panel	30 pound models; Right; Stainless steel; all markets through December 7, 2021; T market models starting December 8, 2021; models with 0 in 5th position of serial number starting December 8, 2021
	F8524705	Side Panel	30 pound models; Right; Painted; All markets except T with 6 in 5th position of serial number starting December 8, 2021
	F8524801	Side Panel	40 pound models; Right
	F8524803	Side Panel	40 pound models; Right; Stainless steel; all markets through December 7, 2021; T market models starting December 8, 2021; models with 0 in 5th position of serial number starting December 8, 2021
	F8524805	Side Panel	40 pound models; Right; Painted; All markets except T with 6 in 5th position of serial number starting December 8, 2021
	F8554203	Side Panel	60 pound models; Right
	F8554201	Side Panel	60 pound models; Right; Stainless steel; all markets through December 7, 2021; T market models starting December 8, 2021; models with 0 in 5th position of serial number starting December 8, 2021
	F8554205	Side Panel	60 pound models; Right; Painted; All markets except T with 6 in 5th position of serial number starting December 8, 2021
6	F8117601	Screw	
7	70030501	Expansion Clip	
8	M405535	Washer	
9	F8402801	Bolt	
10	44087201	Nut	

Door - 20 Pound Models - Design 4

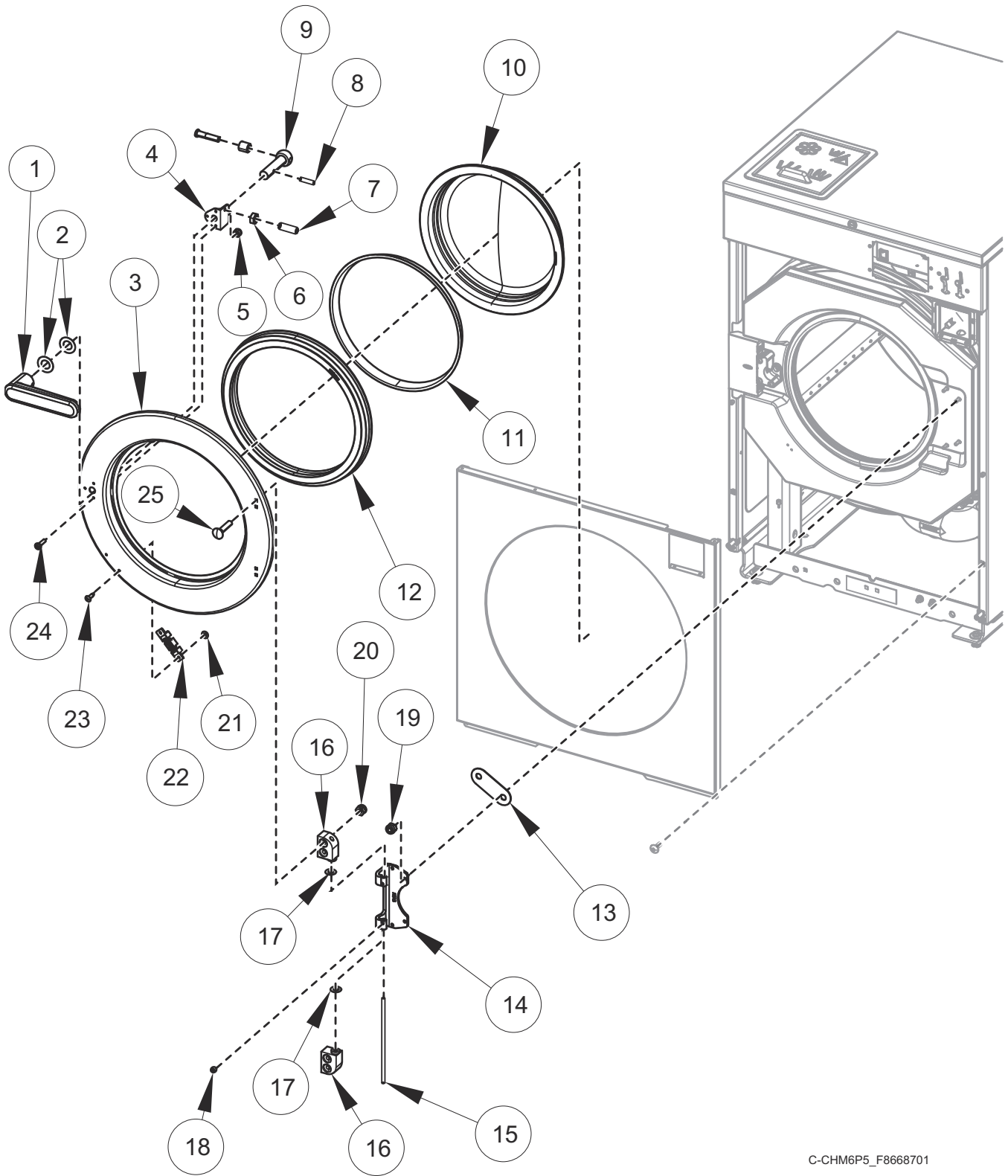


C-CHM6P5_F8668701

Door - 20 Pound Models - Design 4

REF	PART NO.	DESCRIPTION	COMMENTS
	F8617201	Door Assembly	Includes items 1-12, 14-18 and 20-25
	F8617202	Door Assembly	Chrome; Includes items 1-12, 14-18 and 20-25
1	F8199401P	Door Handle	Black
2	F431916	Washer	
3	F8507502	Door	
	F8507501P	Door	Chrome
4	F8567501	Door Handle Spacer Kit	Includes items 6 and 7
5	F430232	Nut	
6	F431041	Nut	
7	F430532	Screw	
8	F431222	Spring Pin	
9	F8221403	Door Latch Arm Assembly	Includes latch arm shaft, latch arm support and sleeve
10	F290205P	Door Glass Kit	
11	F8583201	Door Glass Trim	Black
12	F200000202	Door Gasket	
13	F200131000P	Door Hinge Shim Kit	
14	F190216P	Door Hinge	
15	F602813-2	Rod	
16	F150271	Door Mount	
17	F431929	Washer	Non-ferrous
	F431147	Washer	
18	F430536	Screw	
19	C001236	Nut	
20	F430215	Nut	
21	F431133	Washer	
22	F8390801	Magnet	
23	F431223	Pop Rivet	
24	F8535501	Screw	
25	F430974	Bolt	
	F8508101	Bolt	Chrome

Door - 20 Pound Models - Design 6 and 7

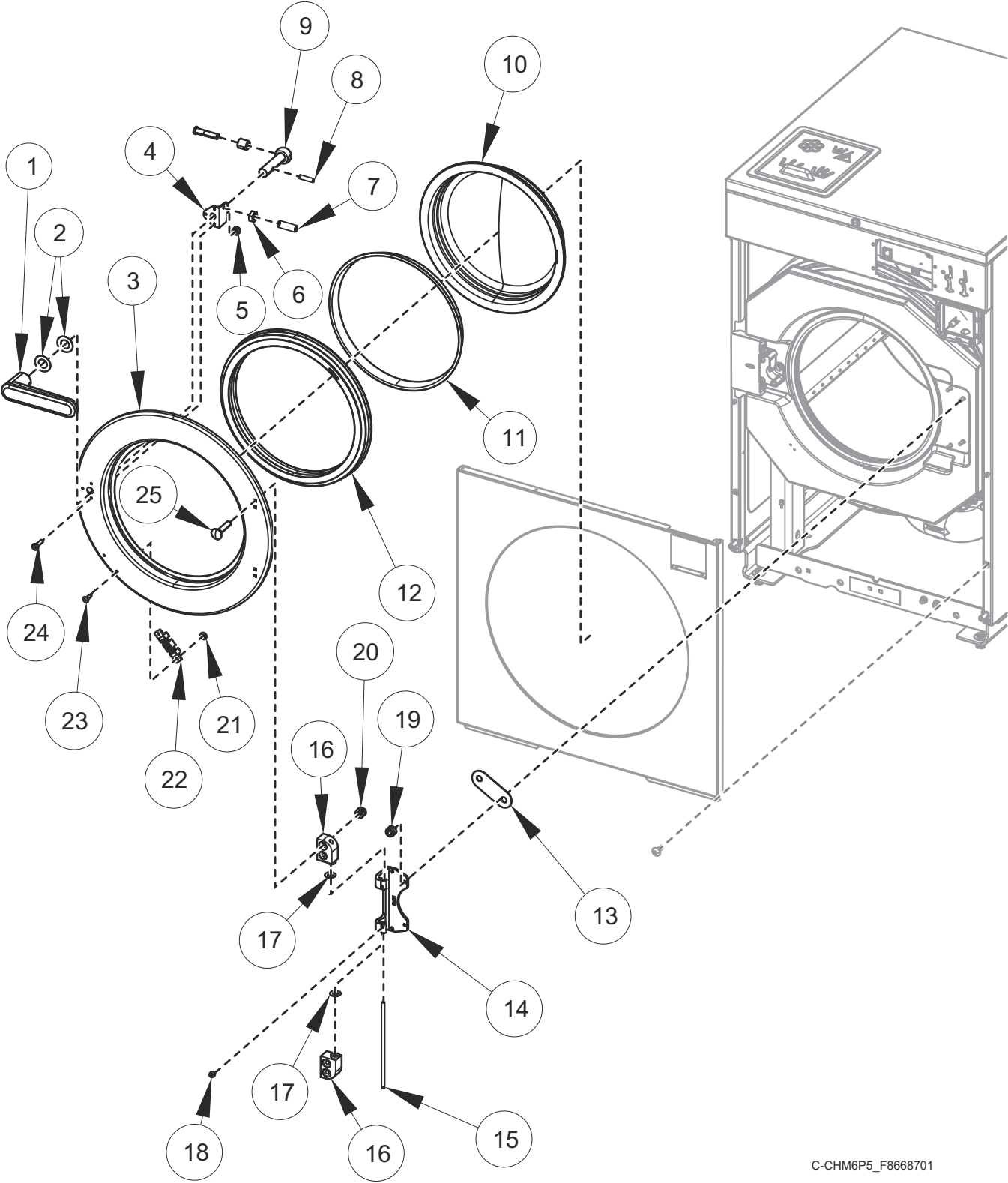


C-CHM6P5_F8668701

Door - 20 Pound Models - Design 6 and 7

REF	PART NO.	DESCRIPTION	COMMENTS
	F8617211	Door Assembly	Includes items 1-12, 14-18 and 20-25
	F8617212	Door Assembly	Chrome; Includes items 1-12, 14-18 and 20-25
1	F8624603	Door Handle	Black
2	F431916	Washer	
3	F8507502	Door	
	F8507501P	Door	Chrome
4	F8567501	Door Handle Spacer Kit	Includes items 6 and 7
5	F430232	Nut	
6	F431041	Nut	
7	F430532	Screw	
8	F431222	Spring Pin	
9	F8221403	Door Latch Arm Assembly	Includes latch arm shaft, latch arm support and sleeve
10	F290205P	Door Glass Kit	
11	F8583201	Door Glass Trim	Black
12	F200000202	Door Gasket	
13	F200131000P	Door Hinge Shim Kit	
14	F190216P	Door Hinge	
15	F602813-2	Rod	
16	F150271	Door Mount	
17	F431929	Washer	Non-ferrous
	F431147	Washer	
18	F430536	Screw	
19	C001236	Nut	
20	F430215	Nut	
21	F431133	Washer	
22	F8390801	Magnet	
23	F431223	Pop Rivet	
24	F8535501	Screw	
25	F430974	Bolt	
	F8508101	Bolt	Chrome

Door - 30 Pound Models - Design 4

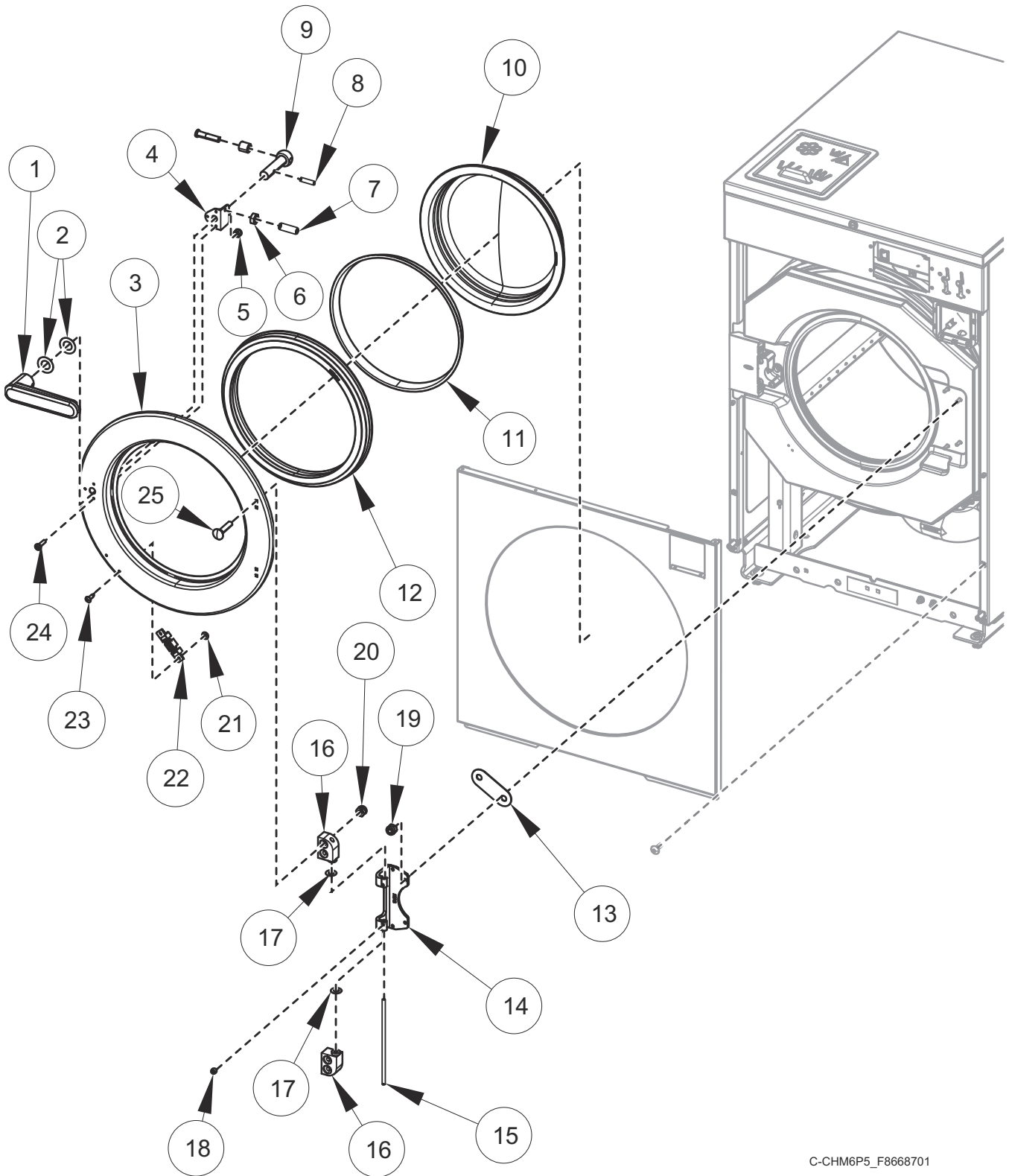


C-CHM6P5_F8668701

Door - 30 Pound Models - Design 4

REF	PART NO.	DESCRIPTION	COMMENTS
	F8617301	Door Assembly	Includes items 1-12, 14-18 and 20-25
	F8617302	Door Assembly	Chrome; Includes items 1-12, 14-18 and 20-25
1	F8199401P	Door Handle	Black
2	F431916	Washer	
3	F8507602	Door	
	F8752601	Door	Chrome
4	F8567501	Door Handle Spacer Kit	
5	F430232	Nut	
6	F431041	Nut	
7	F430533	Screw	
8	F431222	Spring Pin	
9	F8221403	Door Latch Arm Assembly	Includes latch arm shaft, latch arm support and sleeve
10	F8485301P	Door Glass	
11	F8583202	Door Glass Trim	Black
12	F8111602	Door Gasket	
13	F200131000P	Door Hinge Shim Kit	
14	F190216P	Door Hinge	
15	F602813-2	Rod	
16	F150271	Door Mount	
17	F431929	Washer	Non-ferrous
	F431147	Washer	
18	F430536	Screw	
19	C001236	Nut	
20	F430215	Nut	
21	F431133	Washer	
22	F8390801	Magnet	
23	F431223	Pop Rivet	
24	F8535501	Screw	
25	F430974	Bolt	
	F8508101	Bolt	Chrome

Door - 30 Pound Models - Design 6 and 7

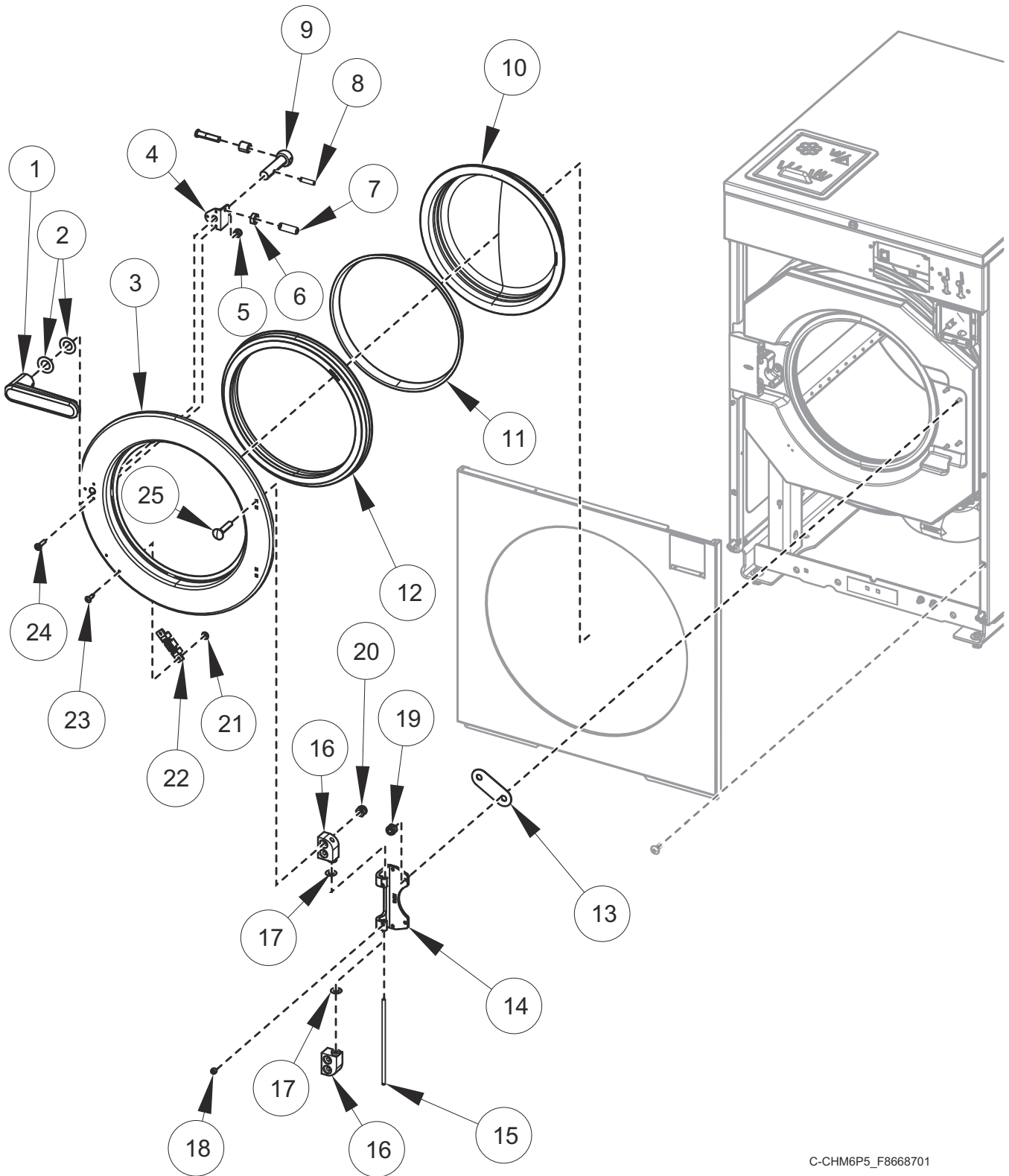


C-CHM6P5_F8668701

Door - 30 Pound Models - Design 6 and 7

REF	PART NO.	DESCRIPTION	COMMENTS
	F8617311	Door Assembly	Includes items 1-12, 14-18 and 20-25
	F8617312	Door Assembly	Chrome; Includes items 1-12, 14-18 and 20-25
1	F8624603	Door Handle	Black
2	F431916	Washer	
3	F8507602	Door	
	F8752601	Door	Chrome
4	F8567501	Door Handle Spacer Kit	
5	F430232	Nut	
6	F431041	Nut	
7	F430533	Screw	
8	F431222	Spring Pin	
9	F8221403	Door Latch Arm Assembly	Includes latch arm shaft, latch arm support and sleeve
10	F8485301P	Door Glass	
11	F8583202	Door Glass Trim	Black
12	F8111602	Door Gasket	
13	F200131000P	Door Hinge Shim Kit	
14	F190216P	Door Hinge	
15	F602813-2	Rod	
16	F150271	Door Mount	
17	F431929	Washer	Non-ferrous
	F431147	Washer	
18	F430536	Screw	
19	C001236	Nut	
20	F430215	Nut	
21	F431133	Washer	
22	F8390801	Magnet	
23	F431223	Pop Rivet	
24	F8535501	Screw	
25	F430974	Bolt	
	F8508101	Bolt	Chrome

Door - 40 and 60 Pound Models - Design 4

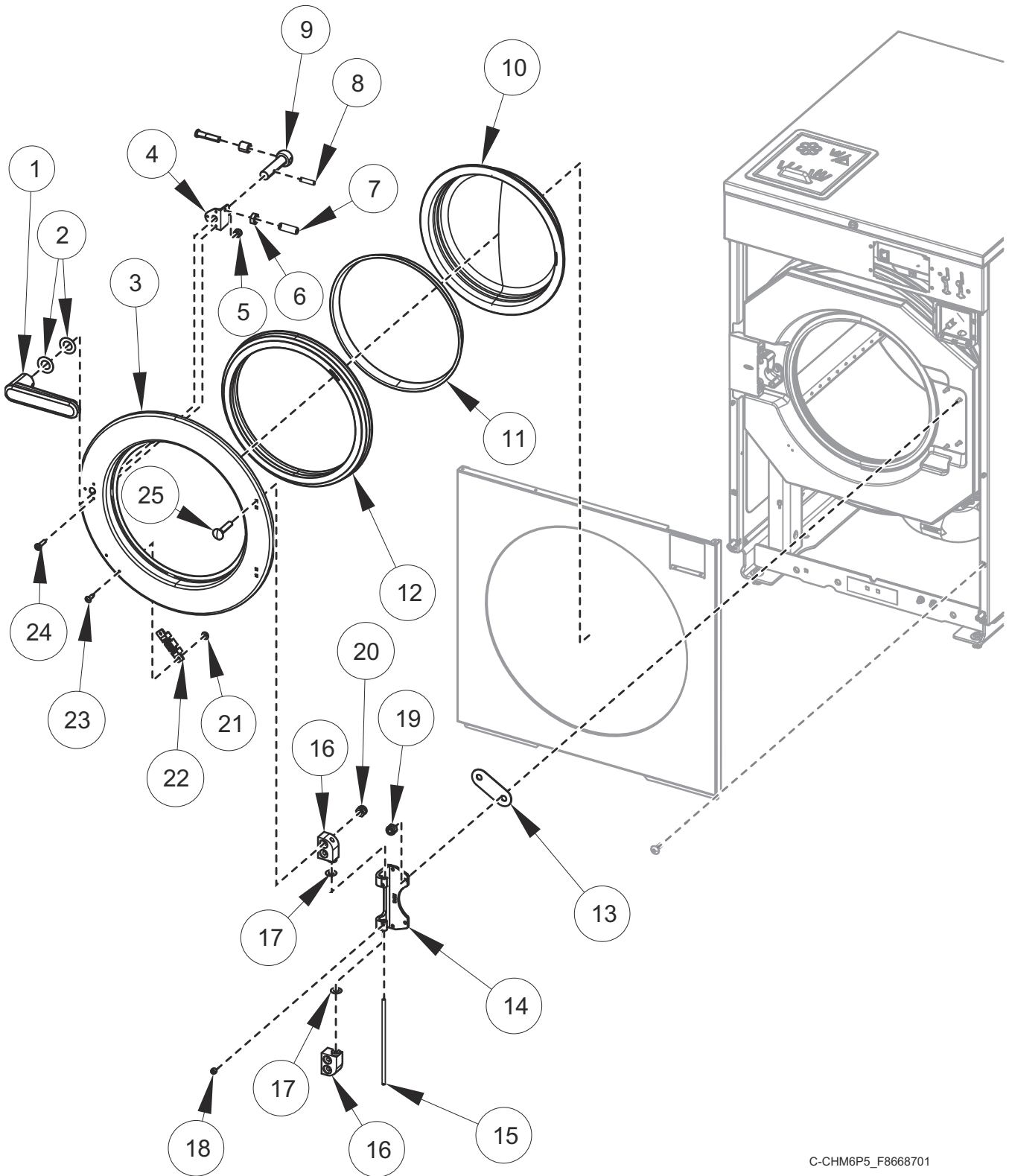


C-CHM6P5_F8668701

Door - 40 and 60 Pound Models - Design 4

REF	PART NO.	DESCRIPTION	COMMENTS
	F8617401	Door Assembly	Includes items 1-12, 14-18 and 20-25
	F8617402	Door Assembly	Chrome; Includes items 1-12, 14-18 and 20-25
1	F8199401P	Door Handle	Black
2	F431916	Washer	
3	F8507702	Door	
	F8507701	Door	Chrome
4	F8567501	Door Handle Spacer Kit	
5	F430232	Nut	
6	F431041	Nut	
7	F430533	Screw	
8	F431222	Spring Pin	
9	F8221403	Door Latch Arm Assembly	Includes latch arm shaft, latch arm support and sleeve
10	F8485401P	Door Glass	
11	F8583203	Door Glass Trim	Black
12	F8111502	Door Gasket	
13	F200131000P	Door Hinge Shim Kit	
14	F190216P	Door Hinge	
15	F602813-3	Rod	
16	F150271	Door Mount	
17	F431929	Washer	Non-ferrous
	F431147	Washer	
18	F430536	Screw	
19	C001236	Nut	
20	F430215	Nut	
21	F431133	Washer	
22	F8390801	Magnet	
23	F431223	Pop Rivet	
24	F8535501	Screw	
25	F430974	Bolt	
	F8508101	Bolt	Chrome

Door - 40 and 60 Pound Models - Design 6 and 7

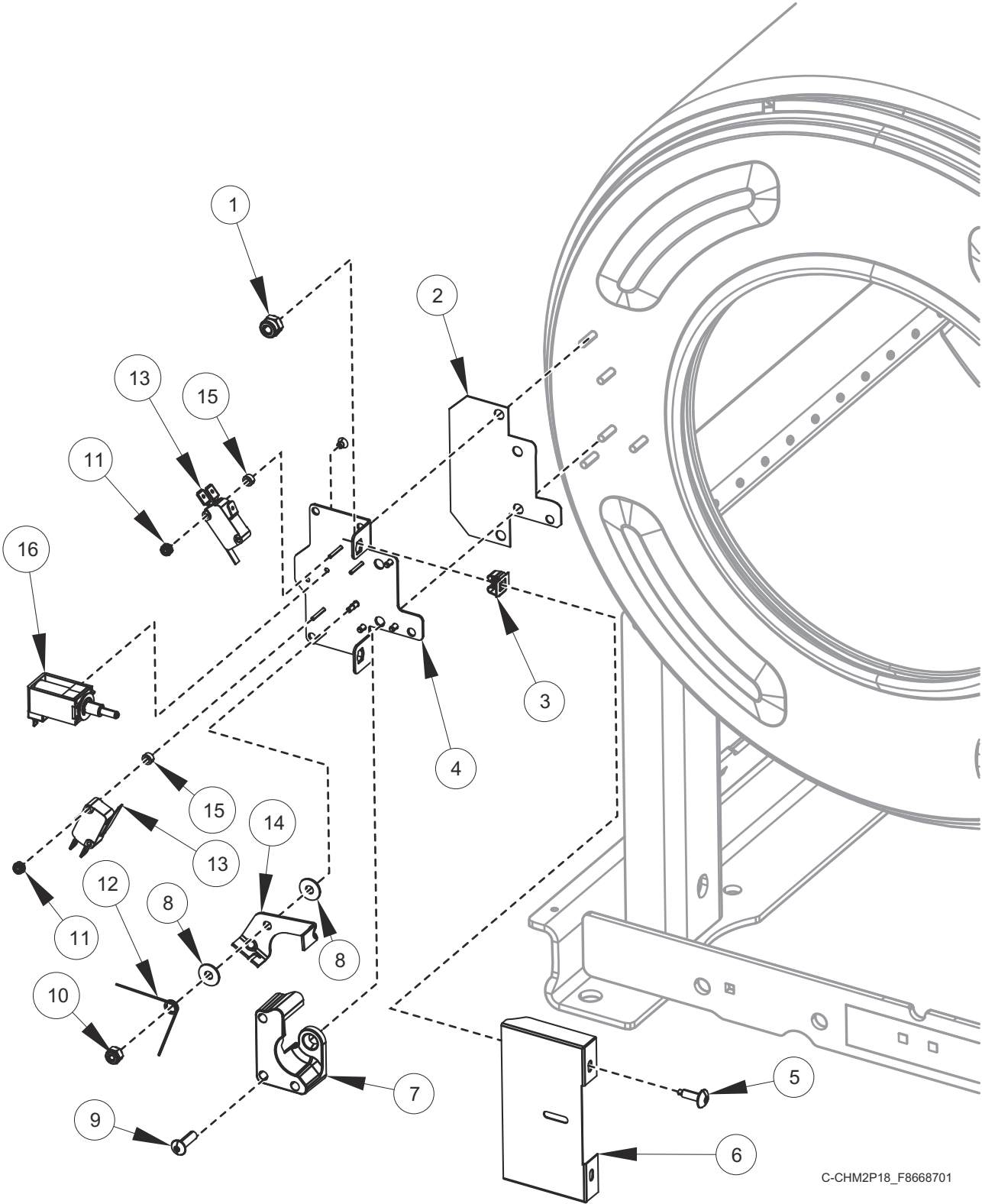


C-CHM6P5_F8668701

Door - 40 and 60 Pound Models - Design 6 and 7

REF	PART NO.	DESCRIPTION	COMMENTS
	F8617411	Door Assembly	Includes items 1-12, 14-18 and 20-25
	F8617412	Door Assembly	Chrome; Includes items 1-12, 14-18 and 20-25
1	F8624603	Door Handle	Black
2	F431916	Washer	
3	F8507702	Door	
	F8507701	Door	Chrome
4	F8567501	Door Handle Spacer Kit	
5	F430232	Nut	
6	F431041	Nut	
7	F430533	Screw	
8	F431222	Spring Pin	
9	F8221403	Door Latch Arm Assembly	Includes latch arm shaft, latch arm support and sleeve
10	F8485401P	Door Glass	
11	F8583203	Door Glass Trim	Black
12	F8111502	Door Gasket	
13	F200131000P	Door Hinge Shim Kit	
14	F190216P	Door Hinge	
15	F602813-3	Rod	
16	F150271	Door Mount	
17	F431929	Washer	Non-ferrous
	F431147	Washer	
18	F430536	Screw	
19	C001236	Nut	
20	F430215	Nut	
21	F431133	Washer	
22	F8390801	Magnet	
23	F431223	Pop Rivet	
24	F8535501	Screw	
25	F430974	Bolt	
	F8508101	Bolt	Chrome

Door Lock

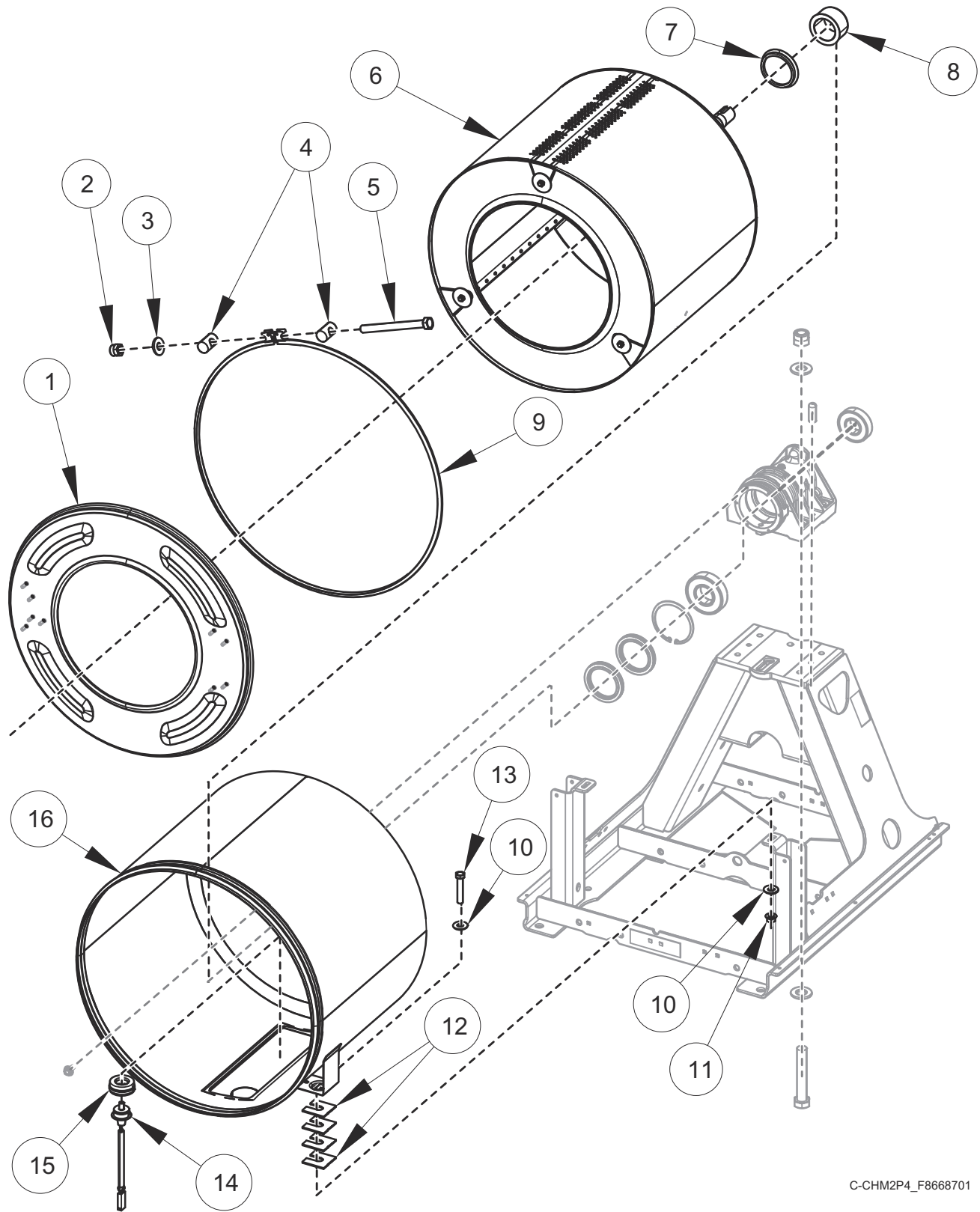


C-CHM2P18_F8668701

Door Lock

REF	PART NO.	DESCRIPTION	COMMENTS
	F8632401	Door Lock Assembly	Includes items 3, 4 and 10-16
	F8520201	Door Lock Harness	20 and 30 pound models
	F8520202	Door Lock Harness	40 and 60 pound models
	F8066804	Reed Switch Assembly	
1	F431024	Nut	
2	F8344401	Door Lock Plate Shim	
3	70030501	Expansion Clip	
4	F8223202	Door Lock Plate Assembly	
5	F8117601	Screw	
6	F8245001	Door Lock Cover	
7	F8344501	Door Lock Catch	
8	F8193101	Washer	
9	F8270701	Bolt	
10	F430232	Nut	
11	F430225	Nut	
12	F8070301	Torsion/Door Lock Spring	
13	F200203200	Door Lock Microswitch	
14	F8223401	Door Lock Switch Lever	
15	F431901	Spacer	
16	F977P3	Door Lock Solenoid Replacement Kit	

Shell Front, Basket, Shell and Frame Template

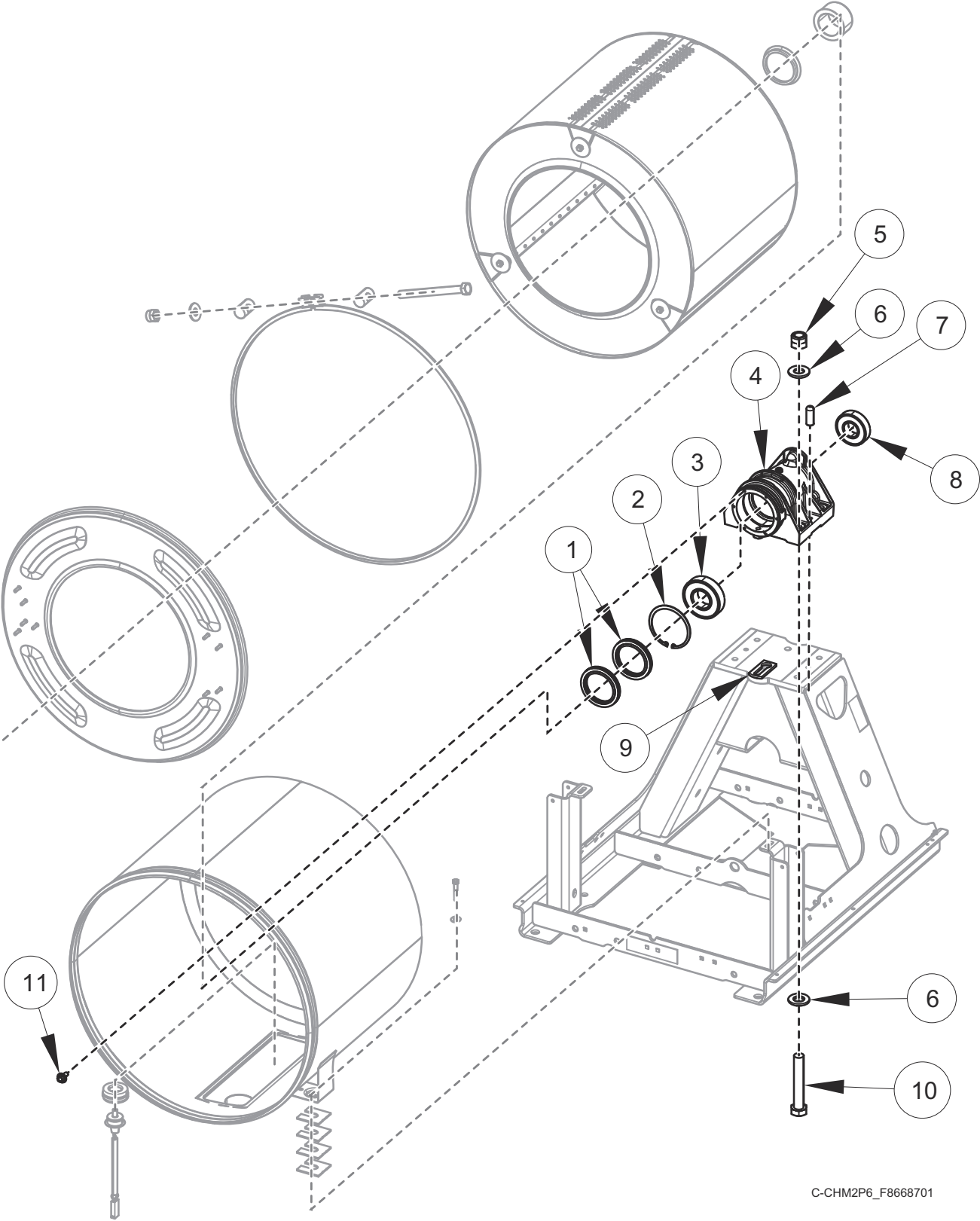


C-CHM2P4_F8668701

Shell Front, Basket, Shell and Frame Template

REF	PART NO.	DESCRIPTION	COMMENTS
	F8598301	Harness	Thermistor; 20 and 30 pound models
	F8598302	Harness	Thermistor; 40 and 60 pound models
1	F8222301	Shell Front	20 pound models
	F8222401	Shell Front	30 pound models
	F8222501	Shell Front	40 pound models
	F8222601	Shell Front	60 pound models
2	F430218	Nut	
3	M400080	Washer	
4	F8302701	Pin	
5	F8673701	Screw	
6	F8391304	Basket	20 pound models; Viton
	F8391302	Basket	20 pound models; Rain
	F8391504	Basket	30 pound models; Viton
	F8391502	Basket	30 pound models; Rain
	F8391704	Basket	40 pound models; Viton
	F8391702	Basket	40 pound models; Rain
	F8502805	Basket	60 pound models; Viton
	F8502802	Basket	60 pound models; Rain
7	F8337002	Excluder Seal	
8	F8343906P	Shaft Seal Sleeve Kit	
9	F8537801	Shell Band Kit	20 pound models; Includes items 2-5
	F8537802	Shell Band Kit	30 pound models; Includes items 2-5
	F8537803	Shell Band Kit	40 pound models; Includes items 2-5
	F8537804	Shell Band Kit	40 pound models; Includes items 2-5
10	M400081	Washer	
11	44087301	Nut	
12	F8402701	Washer	
13	F8621601	Screw	
14	F8538801	Thermistor	
15	2251000400	Temperature Probe Grommet	
16	F8512102	Shell	20 pound models; Electric and dual heat
	F8514002	Shell	30 pound models; Electric and dual heat
	F8512202	Shell	40 pound models; Electric and dual heat
	F8543702	Shell	60 pound models; Electric and dual heat
	F8512202	Shell	40 pound models; Steam Heat
	F8543702	Shell	60 pound models; Steam Heat
	F8512101	Shell	20 pound models; Standard
	F8514001	Shell	30 pound models; Standard
	F8512201	Shell	40 pound models; Standard
	F8543701	Shell	60 pound models; Standard

Bearing Housing

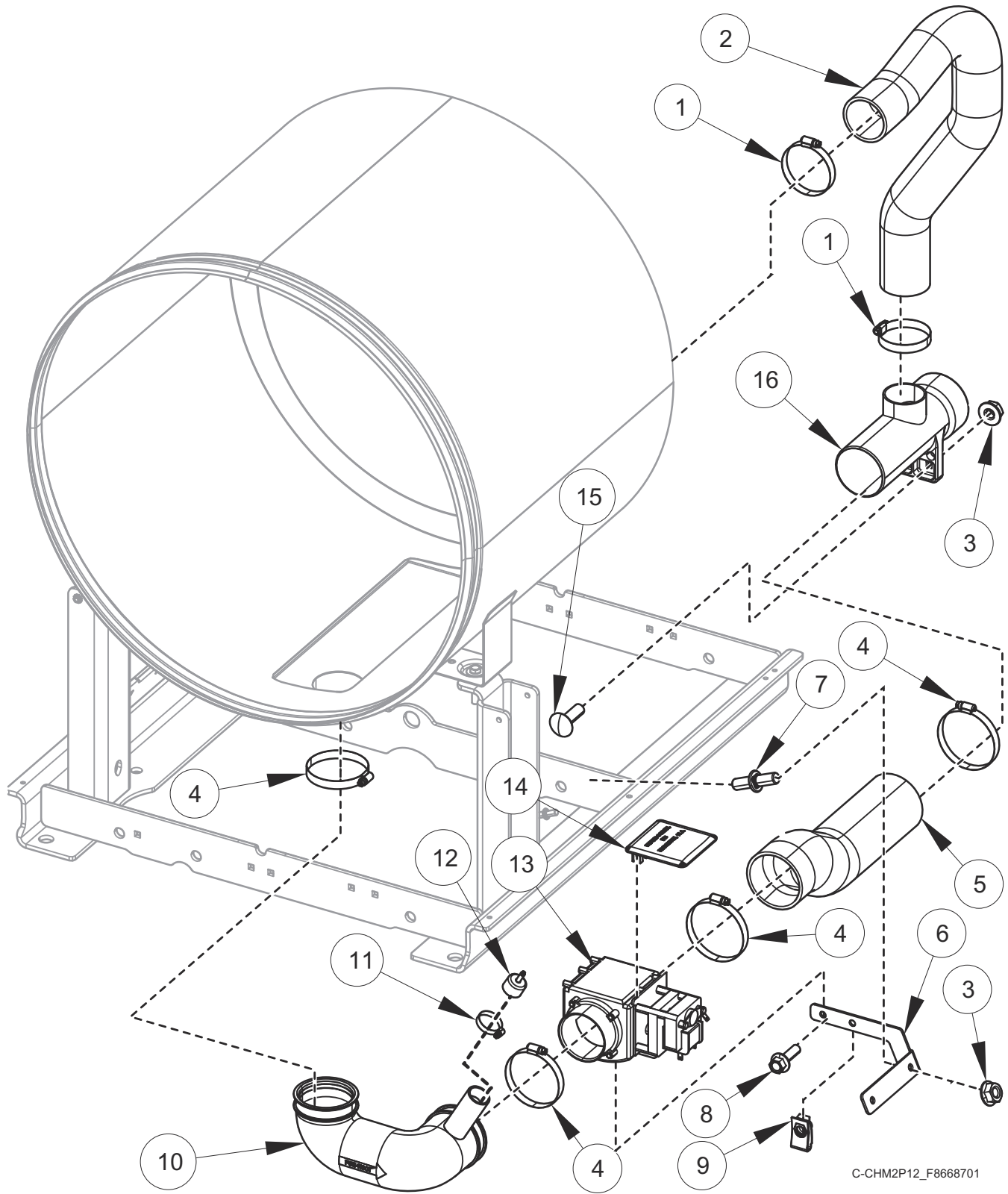


C-CHM2P6_F8668701

Bearing Housing

REF	PART NO.	DESCRIPTION	COMMENTS
	F8271601P	Bearing Housing Assembly	20 pound models; Includes items 1-4 and 8; Standard
	F8271602	Bearing Housing Assembly	20 pound models; Includes items 1-4 and 8; Viton
	F8271701P	Bearing Housing Assembly	30 pound models; Includes items 1-4 and 8; Standard
	F8271702	Bearing Housing Assembly	30 pound models; Includes items 1-4 and 8; Viton
	F8271801P	Bearing Housing Assembly	40 pound models; Includes items 1-4 and 8; Standard
	F8271802	Bearing Housing Assembly	40 pound models; Includes items 1-4 and 8; Viton
	F8271901P	Bearing Housing Assembly	60 pound models; Includes items 1-4 and 8; Standard
	F8271902	Bearing Housing Assembly	60 pound models; Includes items 1-4 and 8; Viton
1	F8203801	Triple Lip Seal	20 pound models; Standard
	F8203813	Triple Lip Seal	20 pound models; Viton
	F8203802	Triple Lip Seal	30 pound models; Standard
	F8203814	Triple Lip Seal	30 pound models; Viton
	F8203803	Triple Lip Seal	40 pound models; Standard
	F8203815	Triple Lip Seal	40 pound models; Viton
	F8203806	Triple Lip Seal	60 pound models; Standard
	F8203816	Radial Lip Seal	60 pound models; Viton
2	F8344901	Retaining Ring	20 pound models
	F8345001	Retaining Ring	30 pound models
	F8337801	Retaining Ring	40 pound models
	F8337901	Retaining Ring	60 pound models
3	F100137P	Bearing	20 and 40 pound models
	F100123P	Bearing	30 pound models
	F100135	Bearing	60 pound models
4	F8247902	Bearing Housing	20 pound models
	F8246802	Bearing Housing	30 pound models
	F8249902	Bearing Housing	40 pound models
	F8250902	Bearing Housing	60 pound models
5	F8387701	Nut	
6	F430339	Washer	
7	F8388201	Dowel Pin	
8	F100136P	Bearing	20 pound models
	F100108	Bearing	30 pound models
	F100134	Bearing	40 and 60 pound models
9	F8350302	Seal Scupper Pad	
10	F8368801	Screw	
11	F8442702	Screw	

Drain Plumbing

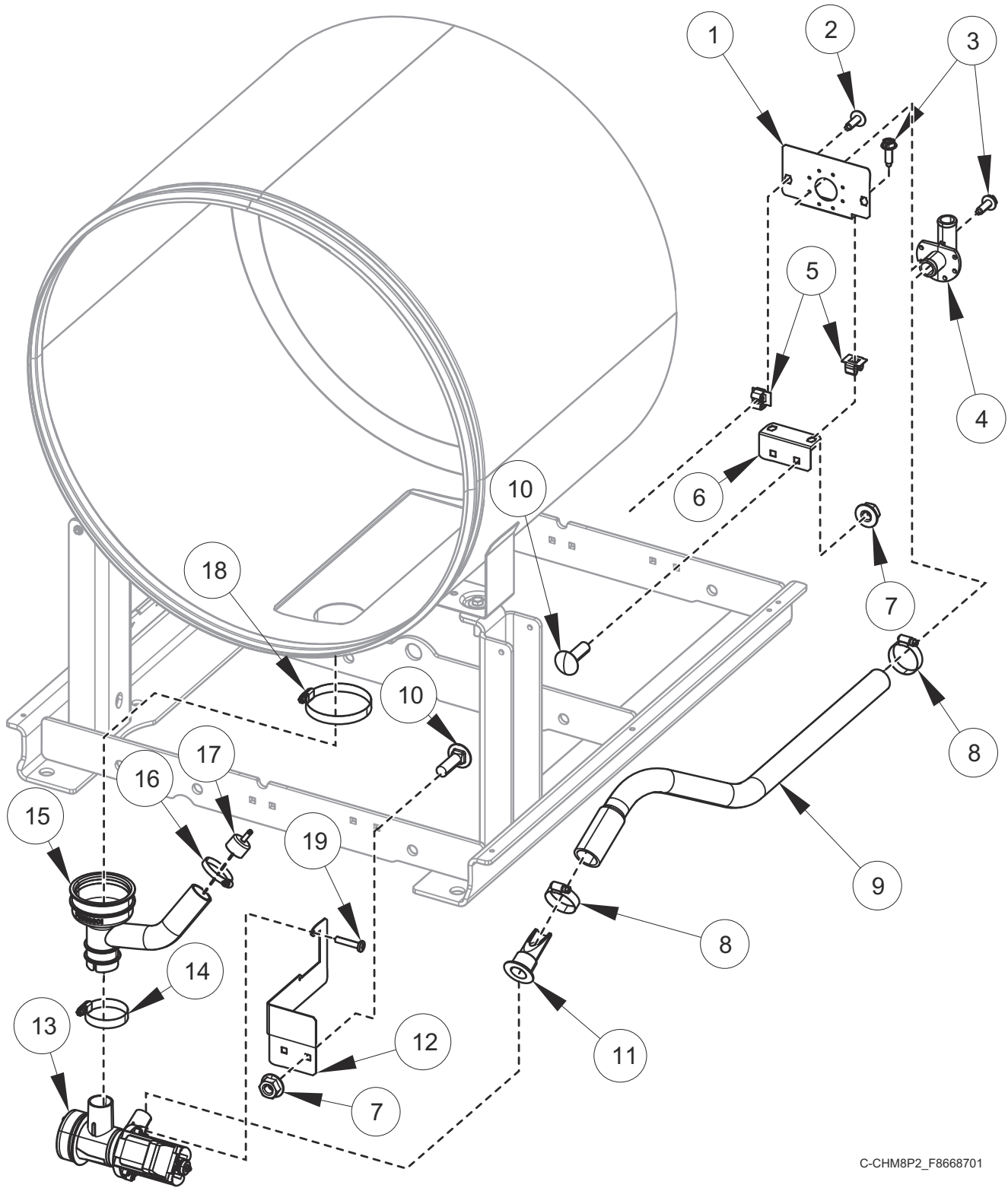


C-CHM2P12_F8668701

Drain Plumbing

REF	PART NO.	DESCRIPTION	COMMENTS
	F8520001	Drain Valve Harness	20 and 30 pound models
	F8520002	Drain Valve Harness	40 and 60 pound models
1	F200213	Hose Clamp	
2	F8522401	Overflow Hose	20 pound models
	F8521201	Overflow Hose	30 pound models
	F8522501	Overflow Hose	40 and 60 pound models
3	44087201	Nut	
4	F200201	Hose Clamp	
5	F8587301	Rear Drain Hose	20 pound models
	F8543001	Rear Drain Hose	30 pound models
	F8543201	Rear Drain Hose	40 pound models
	F8543501	Rear Drain Hose	60 pound models
6	F8587701	Drain Valve Bracket	20 pound models
	F8543101	Drain Valve Bracket	30 pound models
	F8543301	Drain Valve Bracket	40 pound models
	F8543401	Drain Valve Bracket	60 pound models
7	70334702	Stud	
8	202175	Screw	
9	70030401	Nut	
10	F8542002	Drain Hose	20 pound models
	F8541901	Drain Hose	30, 40 and 60 pound models
	F8542001	Drain Hose	40 and 60 pound models; Steam and electric heat
11	36802	Hose Clamp	
12	F8579301	Pressure Cap	
13	F200166302	Drain Valve Kit	3 inch; 120 Volt; Left; NO; Includes item 14
	F8406308	Drain Valve	3 inch; 120 Volt; Right; NO
	F200166402	Drain Valve Kit	3 inch; 230 Volt; Left; NO; Includes item 14
	F8577201	Drain Valve Kit	3 inch; 230 Volt; Right; NO; Includes item 14
14	F200133600	Drain Valve Cover	
15	F8402801	Bolt	
16	F8752101	Drain Tee	

Pump Drain Plumbing - 20, 30 and 40 Pound Models

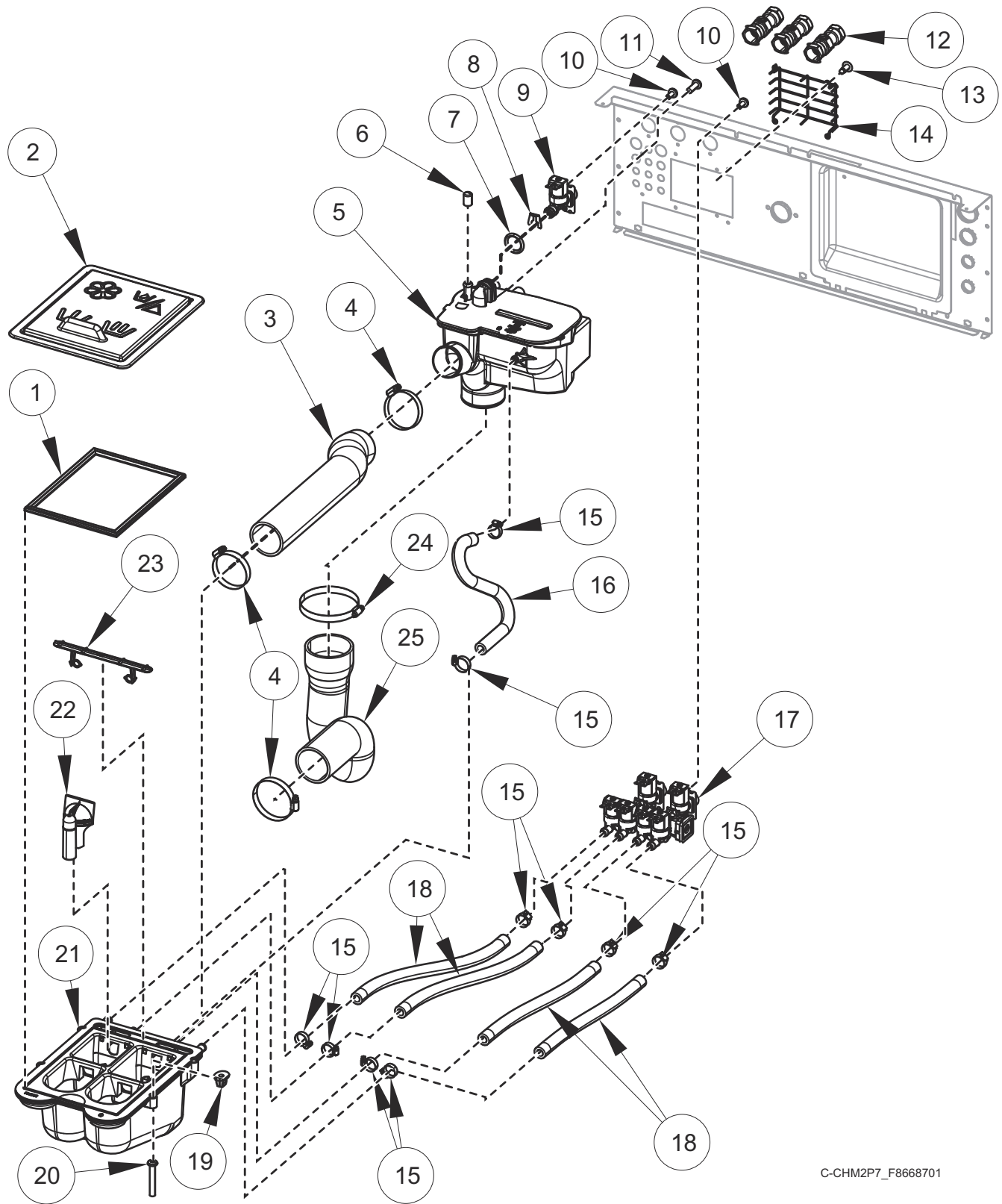


C-CHM8P2_F8668701

Pump Drain Plumbing - 20, 30 and 40 Pound Models

REF	PART NO.	DESCRIPTION	COMMENTS
	27154	Drain Hose	Hose to standpipe
	F150352	Overflow Plug	20 pound models
	F8520001	Drain Valve Harness	20 and 30 pound models
	F8520002	Drain Valve Harness	40 pound models
	F8749401	Pump Drain Conversion Kit	20 pound models with T in the 3rd position; B Voltage
	F8749403	Pump Drain Conversion Kit	20 pound models with T in the 3rd position; Y Voltage
	F8749404	Pump Drain Conversion Kit	30 pound models with T in the 3rd position; B Voltage
	F8749406	Pump Drain Conversion Kit	30 pound models with T in the 3rd position; Y Voltage
	F8749407	Pump Drain Conversion Kit	40 pound models with T in the 3rd position; B Voltage
	F8749409	Pump Drain Conversion Kit	40 pound models with T in the 3rd position; Y Voltage
1	F8571301	Bracket	Upper; Elbow mount
2	F8117601	Screw	
3	F8206901	Screw	
4	35766	Drain Hose Elbow	
5	70030501	Expansion Clip	
6	F8571401	Bracket	Lower; Elbow mount
7	44087201	Nut	
8	F200204	Hose Clamp	
9	F8537001	Pump Drain Rear Hose	20 pound models
	F8557001	Pump Drain Rear Hose	30 pound models
	F8557201	Pump Drain Rear Hose	40 pound models
10	F8402801	Bolt	
11	800310	Backflow Preventer	
12	F8536901	Pump Drain Bracket	20 pound models
	F8557101	Pump Drain Bracket	30 pound models
	F8557301	Pump Drain Bracket	40 pound models
13	805723	Pump Drain and Bracket Assembly	120 Volt/60 Hertz; Green
	805613	Pump Drain and Bracket Assembly	208-240 Volt/60 Hertz; Red
	804038	Pump Drain and Bracket Assembly	220-240 Volt/50 Hertz; Blue
14	F200215	Hose Clamp	
15	F8556601	Pump Drain Hose	
16	36802	Hose Clamp	
17	F8579301	Pressure Cap	
18	F200219	Hose Clamp	
19	F8658501	Screw	

Fill Plumbing - 20 Pound Models

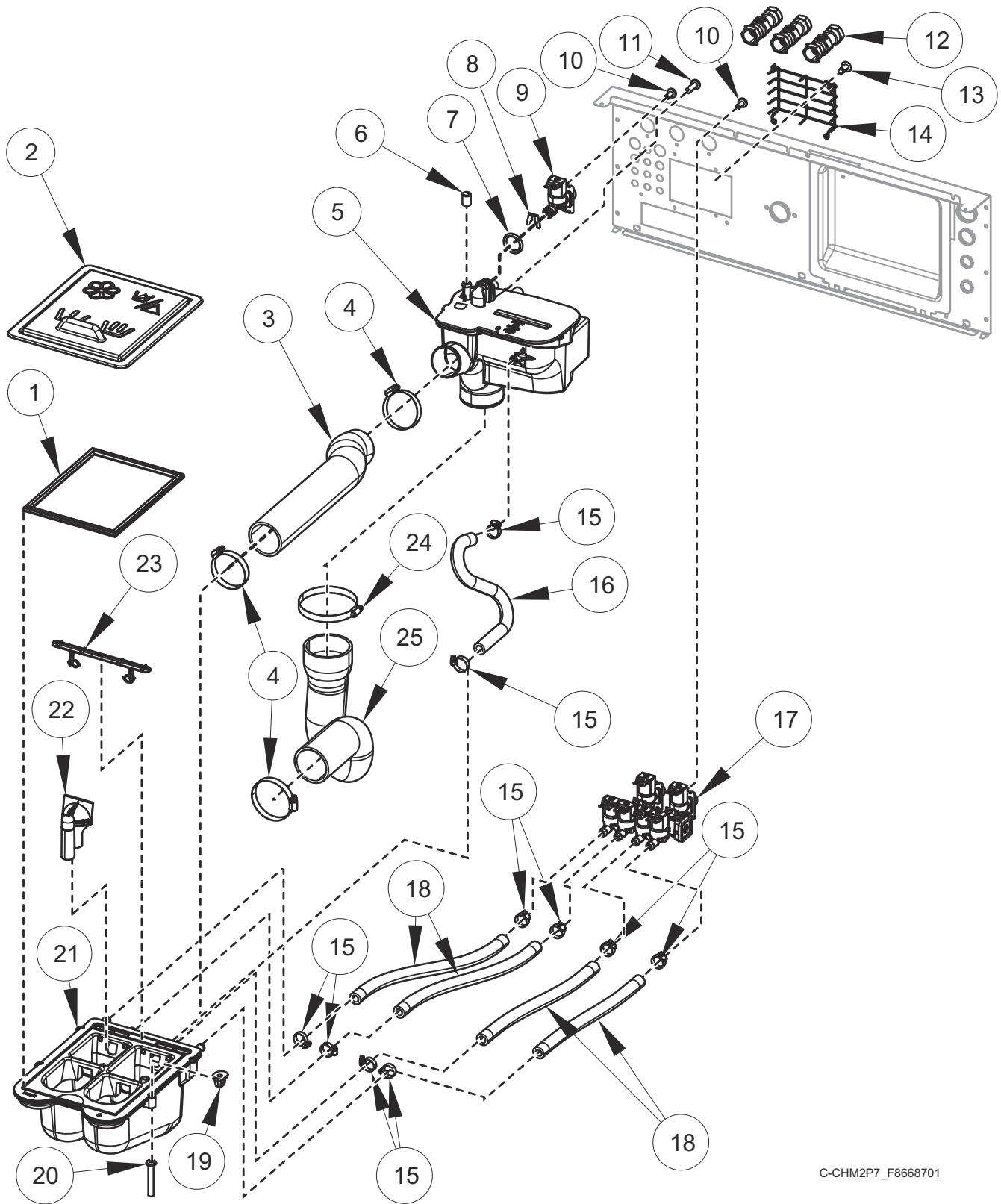


C-CHM2P7_F8668701

Fill Plumbing - 20 Pound Models

REF	PART NO.	DESCRIPTION	COMMENTS
	F8047403	Dispenser	Includes Items 21-23
	F8520101	Fill Valve Harness	
	F8665601	Water Hose Kit	Standard thread; Red (hot); Includes 20290 Washer and 803615 Washer Filter
	F8665603	Water Hose Kit	Standard thread; Blue (cold); Includes 20290 Washer and 803615 Washer Filter
	F8665602	Water Hose Kit	Metric thread; Red (hot); Includes 20290 Washer and 803615 Washer Filter
	F8665604	Water Hose Kit	Metric thread; Blue (cold); Includes 20290 Washer and 803615 Washer Filter
	F8671201	Fill Hose Kit	WRAS; Includes item 12 and F8665602 Water Hose Kit
	F8671202	Fill Hose Kit	WRAS; Includes item 12 and F8665604 Water Hose Kit
	F8671101	Fill Hose Kit	Australian watermark; Includes F8665602 Water Hose Kit and B12543901 Check Valve
	F8671102	Fill Hose Kit	Australian watermark; Includes F8665604 Water Hose Kit and B12543901 Check Valve
1	B12568601	Dispenser Gasket	
2	F8563204	Dispenser Cover	Black; Icons and text
	F8563203	Dispenser Cover	Gray; Icons and text
	F8563202	Dispenser Cover	Black; Icons
	F8563201	Dispenser Cover	Gray; Icons
3	F8529401	Supply Vacuum Hose	
4	F200213	Hose Clamp	
5	F8517503	Vacuum Breaker Assembly	With inlet and fill
	F8517502	Vacuum Breaker Assembly	With inlet
	F8517501	Vacuum Breaker Assembly	With fill
	F8517504	Vacuum Breaker Assembly	
6	F8197701	Cap	WRAS
7	F8569101	O-Ring	
8	F8566801	Clip	
9	F8565201	Valve	Standard
	F8565202	Valve	Metric
10	F8230301	Screw	
11	800548	Screw	
12	F8301201	Double Check Valve	WRAS
13	70058501	Pop Rivet	
14	F8589601	Vacuum Breaker Guard	
15	36801	Hose Clamp	
16	F8616401	Rear Vent Hose	
17	F8529701	Manifold Valve	Standard
	F8529702P	Manifold Valve	Metric
18	F8232007	Hose	
19	F0431807-00	Nut	
20	F8535601	Screw	
21	F8437902	Dispenser Weldment	
22	F8047901	Siphon Cover	
23	F8047801	Access Cover	
24	F200201	Hose Clamp	
25	F8529601	P-Trap Hose	

Fill Plumbing - 30 Pound Models

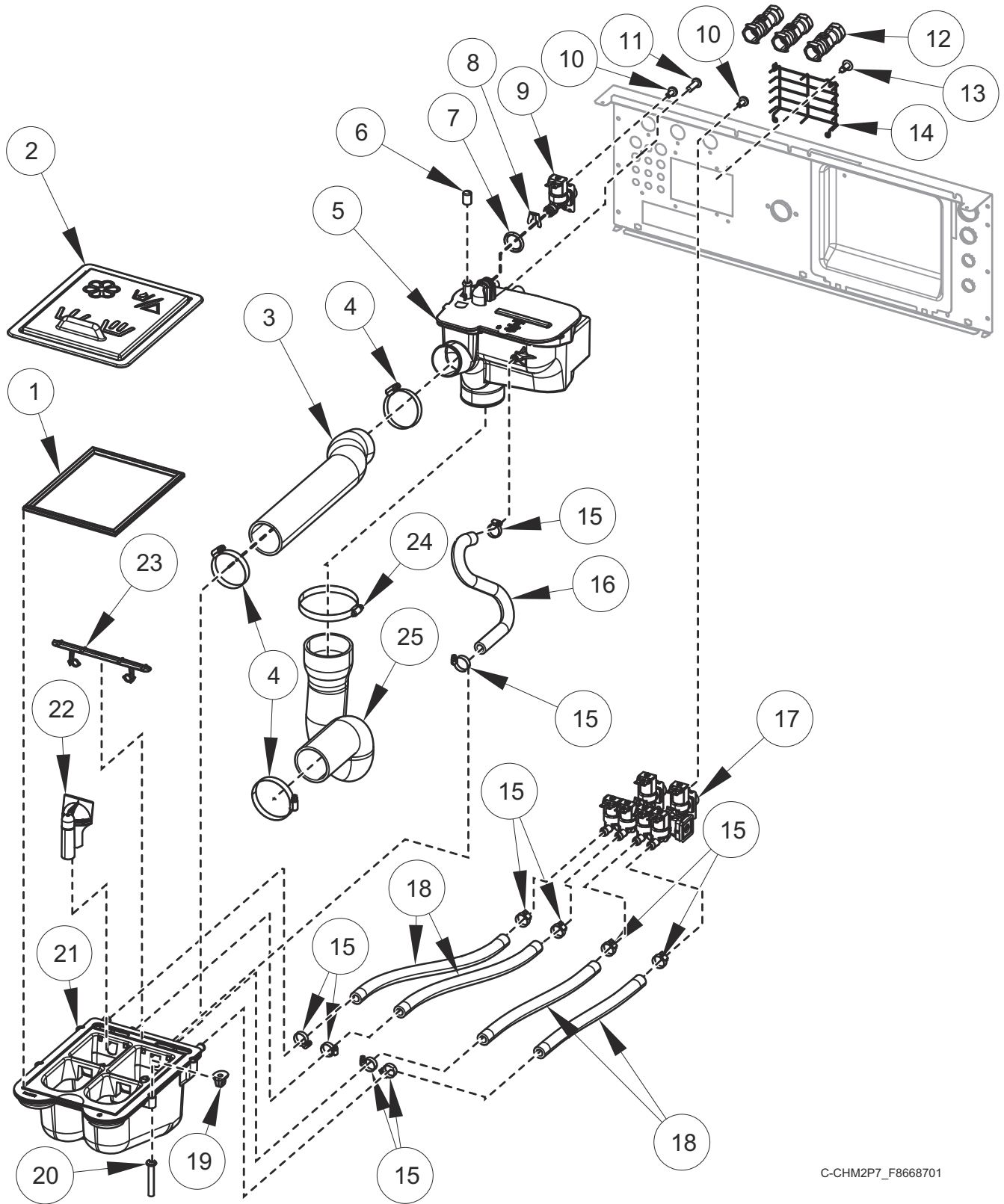


C-CHM2P7_F8668701

Fill Plumbing - 30 Pound Models

REF	PART NO.	DESCRIPTION	COMMENTS
	F8047403	Dispenser	Includes Items 21-23
	F8520101	Fill Valve Harness	
	F8665601	Water Hose Kit	Standard thread; Red (hot); Includes 20290 Washer and 803615 Washer Filter
	F8665603	Water Hose Kit	Standard thread; Blue (cold); Includes 20290 Washer and 803615 Washer Filter
	F8665602	Water Hose Kit	Metric thread; Red (hot); Includes 20290 Washer and 803615 Washer Filter
	F8665604	Water Hose Kit	Metric thread; Blue (cold); Includes 20290 Washer and 803615 Washer Filter
	F8671201	Fill Hose Kit	WRAS; Includes item 12 and F8665602 Water Hose Kit
	F8671202	Fill Hose Kit	WRAS; Includes item 12 and F8665604 Water Hose Kit
	F8671101	Fill Hose Kit	Australian watermark; Includes F8665602 Water Hose Kit and B12543901 Check Valve
	F8671102	Fill Hose Kit	Australian watermark; Includes F8665604 Water Hose Kit and B12543901 Check Valve
1	B12568601	Dispenser Gasket	
2	F8563204	Dispenser Cover	Black; Icons and text
	F8563203	Dispenser Cover	Gray; Icons and text
	F8563202	Dispenser Cover	Black; Icons
	F8563201	Dispenser Cover	Gray; Icons
3	F8529402	Supply Vacuum Hose	
4	F200213	Hose Clamp	
5	F8517503	Vacuum Breaker Assembly	With inlet and fill
	F8517502	Vacuum Breaker Assembly	With inlet
	F8517501	Vacuum Breaker Assembly	With fill
	F8517504	Vacuum Breaker Assembly	
6	F8197701	Cap	WRAS
7	F8569101	O-Ring	
8	F8566801	Clip	
9	F8565201	Valve	Standard
	F8565202	Valve	Metric
10	F8230301	Screw	
11	800548	Screw	
12	F8301201	Double Check Valve	WRAS
13	70058501	Pop Rivet	
14	F8589601	Vacuum Breaker Guard	
15	36801	Hose Clamp	
16	F8616402	Rear Vent Hose	
17	F8529701	Manifold Valve	Standard
	F8529702P	Manifold Valve	Metric
18	F8232011	Hose	
19	F0431807-00	Nut	
20	F8535601	Screw	
21	F8437902	Dispenser Weldment	
22	F8047901	Siphon Cover	
23	F8047801	Access Cover	
24	F200201	Hose Clamp	
25	F8529602	P-Trap Hose	

Fill Plumbing - 40 Pound Models

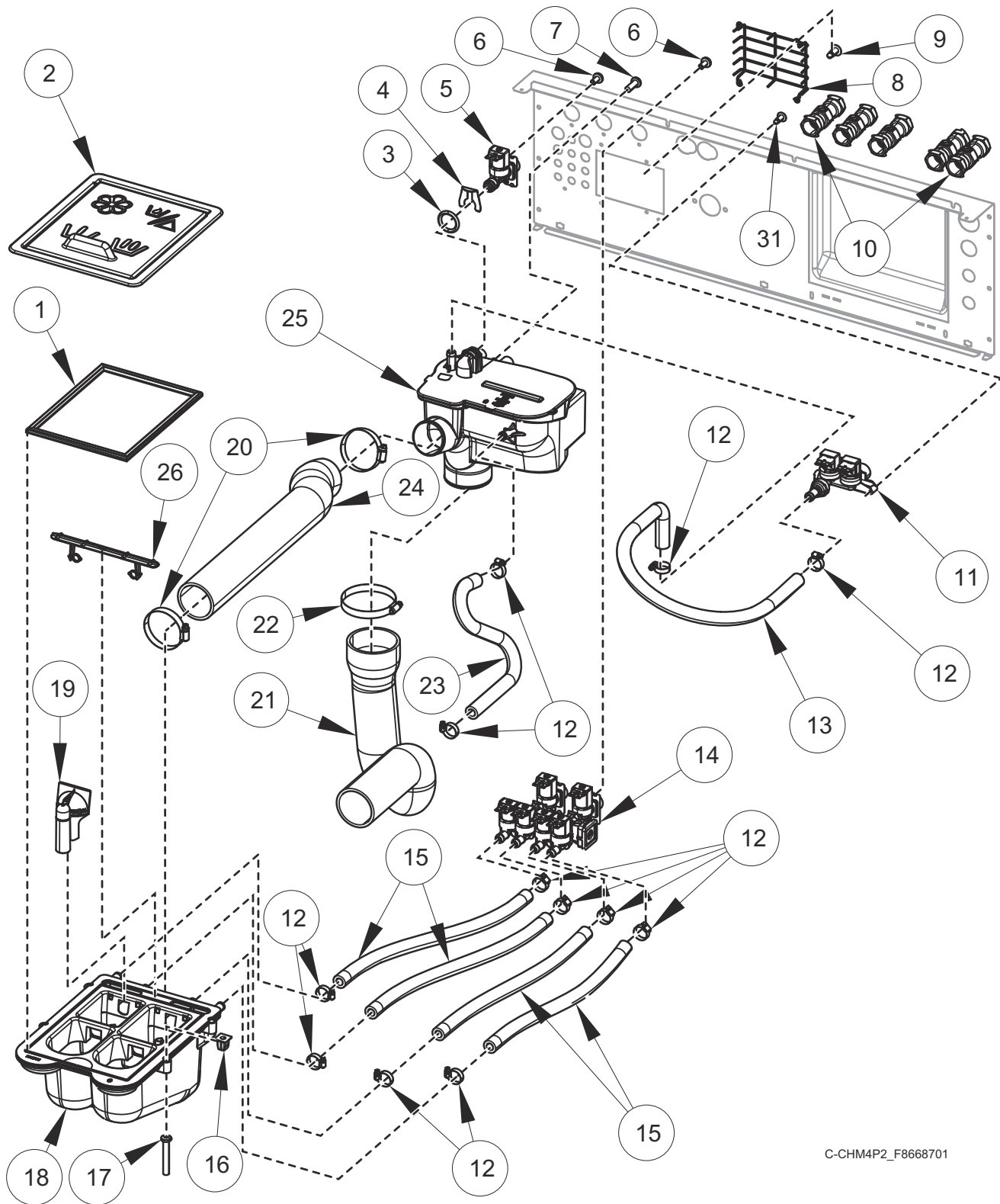


C-CHM2P7_F8668701

Fill Plumbing - 40 Pound Models

REF	PART NO.	DESCRIPTION	COMMENTS
	F8047403	Dispenser	Includes Items 21-23
	F8520101	Fill Valve Harness	
	F8665601	Water Hose Kit	Standard thread; Red (hot); Includes 20290 Washer and 803615 Washer Filter
	F8665603	Water Hose Kit	Standard thread; Blue (cold); Includes 20290 Washer and 803615 Washer Filter
	F8665602	Water Hose Kit	Metric thread; Red (hot); Includes 20290 Washer and 803615 Washer Filter
	F8665604	Water Hose Kit	Metric thread; Blue (cold); Includes 20290 Washer and 803615 Washer Filter
	F8671201	Fill Hose Kit	WRAS; Includes item 12 and F8665602 Water Hose Kit
	F8671202	Fill Hose Kit	WRAS; Includes item 12 and F8665604 Water Hose Kit
	F8671101	Fill Hose Kit	Australian watermark; Includes F8665602 Water Hose Kit and B12543901 Check Valve
	F8671102	Fill Hose Kit	Australian watermark; Includes F8665604 Water Hose Kit and B12543901 Check Valve
1	B12568601	Dispenser Gasket	
2	F8563204	Dispenser Cover	Black; Icons and text
	F8563203	Dispenser Cover	Gray; Icons and text
	F8563202	Dispenser Cover	Black; Icons
	F8563201	Dispenser Cover	Gray; Icons
3	F8529403	Supply Vacuum Hose	
4	F200213	Hose Clamp	
5	F8517503	Vacuum Breaker Assembly	With inlet and fill
	F8517502	Vacuum Breaker Assembly	With inlet
	F8517501	Vacuum Breaker Assembly	With fill
	F8517504	Vacuum Breaker Assembly	
6	F8197701	Cap	WRAS
7	F8569101	O-Ring	
8	F8566801	Clip	
9	F8565201	Valve	Standard
	F8565202	Valve	Metric
10	F8230301	Screw	
11	800548	Screw	
12	F8301201	Double Check Valve	WRAS
13	70058501	Pop Rivet	
14	F8589601	Vacuum Breaker Guard	
15	36801	Hose Clamp	
16	F8616402	Rear Vent Hose	
17	F8529701	Manifold Valve	Standard
	F8529702P	Manifold Valve	Metric
18	F8232010	Hose	
19	F0431807-00	Nut	
20	F8535601	Screw	
21	F8437902	Dispenser Weldment	
22	F8047901	Siphon Cover	
23	F8047801	Access Cover	
24	F200201	Hose Clamp	
25	F8529603	P-Trap Hose	

Fill Plumbing - 60 Pound Models

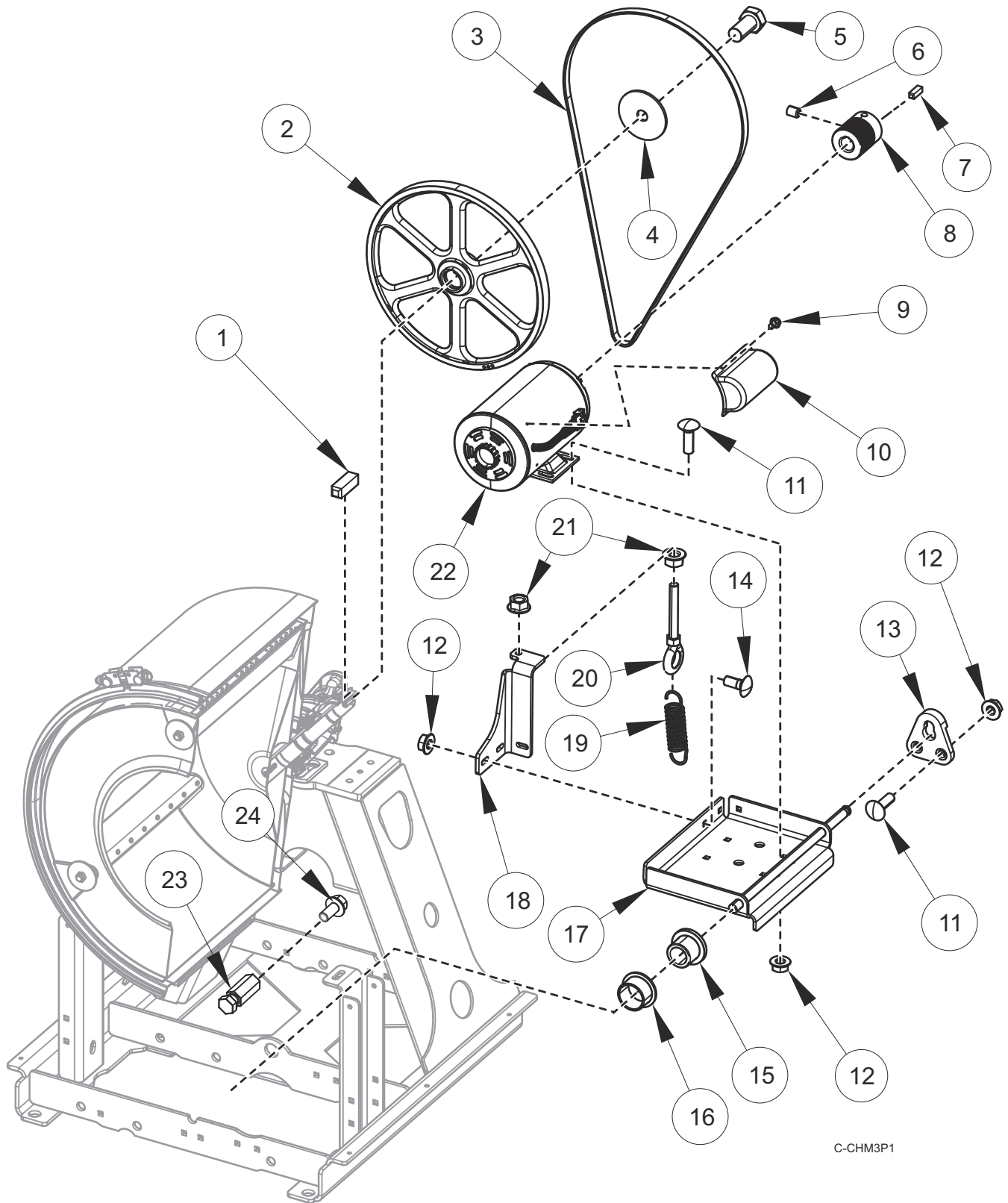


C-CHM4P2_F8668701

Fill Plumbing - 60 Pound Models

REF	PART NO.	DESCRIPTION	COMMENTS
	F8047403	Dispenser	Includes Items 18, 19 and 26
	F8520102	Fill Valve Harness	
	223/00243/00	Y-Connector	
	F8665601	Water Hose Kit	Standard thread; Red (hot); Includes 20290 Washer and 803615 Washer Filter
	F8665603	Water Hose Kit	Standard thread; Blue (cold); Includes 20290 Washer and 803615 Washer Filter
	F8665602	Water Hose Kit	Metric thread; Red (hot); Includes 20290 Washer and 803615 Washer Filter
	F8665604	Water Hose Kit	Metric thread; Blue (cold); Includes 20290 Washer and 803615 Washer Filter
	F8671201	Fill Hose Kit	WRAS; Includes item 11 and F8665602 Water Hose Kit
	F8671202	Fill Hose Kit	WRAS; Includes item 11 and F8665604 Water Hose Kit
	F8671101	Fill Hose Kit	Australian watermark; Includes F8665602 Water Hose Kit and B12543901 Check Valve
	F8671102	Fill Hose Kit	Australian watermark; Includes F8665604 Water Hose Kit and B12543901 Check Valve
	24122	Mixing Valve Screen	
	F8161201	Mixing Valve Screen	
1	B12568601	Dispenser Gasket	
2	F8563204	Dispenser Cover	Black; Icons and text
	F8563203	Dispenser Cover	Gray; Icons and text
	F8563202	Dispenser Cover	Black; Icons
	F8563201	Dispenser Cover	Gray; Icons
3	F8569101	O-Ring	
4	F8566801	Clip	
5	F8565201	Valve	3/4 inch; Standard
	F8565202	Valve	3/4 inch; Metric
6	F8230301	Screw	
7	800548	Screw	
8	F8589601	Vacuum Breaker Guard	
9	70058501	Pop Rivet	
10	F8301201	Double Check Valve	WRAS
11	F8434003	Mixing Valve	Standard
	F8434004	Mixing Valve	Metric
12	36801	Hose Clamp	
13	F8598501	Auxiliary Fill Hose	
14	F8529701	Manifold Valve	Standard
	F8529702P	Manifold Valve	Metric
15	F8232012	Hose	
16	F0431807-00	Nut	
17	F8535601	Screw	
18	F8437902	Dispenser Weldment	
19	F8047901	Siphon Cover	
20	F200213	Hose Clamp	
21	F8529604	P-Trap Hose	
22	F200201	Hose Clamp	
23	F8616404	Rear Vent Hose	
24	F8529404	Supply Vacuum Hose	
25	F8517503	Vacuum Breaker Assembly	With inlet and fill
	F8517502	Vacuum Breaker Assembly	With inlet; WRAS
	F8517501	Vacuum Breaker Assembly	With fill; WRAS
	F8517504	Vacuum Breaker Assembly	
26	F8047801	Access Cover	

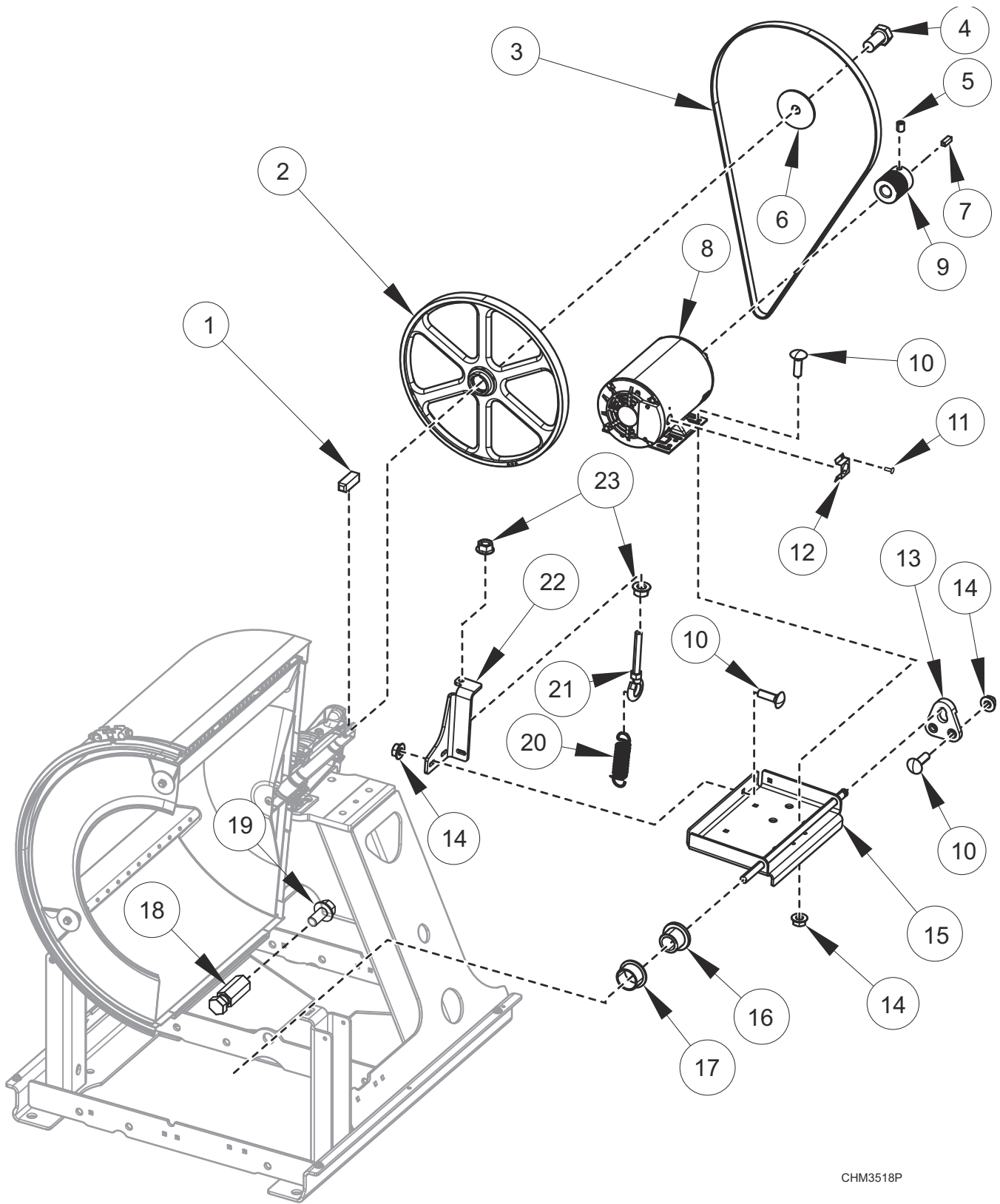
Motor, Pulley and Belt - 20 and 30 Pound Models



Motor, Pulley and Belt - 20 and 30 Pound Models

REF	PART NO.	DESCRIPTION	COMMENTS
	F8733806	Gasket	EMI 17.8 inch
	F8733801	Gasket	EMI 21 inch
	F8733802	Gasket	EMI 24 inch
	F8519001	Motor Harness	1 hp; 120-240 Volt
	F8519006	Motor Harness	1 hp; 120-240 Volt; EMI filter models through August 2021
	F8719401	Motor Harness	1 hp; 120-240 Volt; IEC shielded models starting September 2021
	F8519002	Motor Harness	1 hp; 380-480 Volt
	F8519007	Motor Harness	1 hp; 380-480 Volt; EMI filter models through August 2021
	F8719402	Motor Harness	1 hp; 380-480 Volt; IEC shielded models starting September 2021
	F8748601	Spring Stud Kit	
1	F430801	Key	
2	F8511601	Basket Pulley	20 pound models
	F8511701	Basket Pulley	30 pound models
3	F8382811	Belt	20 pound models; Poly-V; 560J6
	F8382812	Belt	30 pound models; Poly-V; 690J6
4	F431115	Washer	
5	F8574001	Screw	
6	M400077	Set Screw	
7	H8752006H	Key	
8	F8525301	Motor Pulley	
9	23222	Screw	
10	70521901	Motor Conduit Mounting Bracket	models through August 2021
	F8732401	Motor Conduit Mounting Bracket	models starting September 2021
11	F8402801	Bolt	
12	44087201	Nut	
13	F8441101	Motor Rod Plate	
14	70062401	Bolt	
15	F8535202	Flanged Isolator	
16	F8333302	Flanged Bushing	
17	F8589001	Motor Bracket Weldment	
18	F8581201	Spring Bracket	
19	F310124	Extension Spring	
20	F8319503	Eye Bolt	
21	44087301	Nut	
22	F8509601P	Motor	1 hp; 230 Volt
	F8509701	Motor	1 hp; 460 Volt
23	F8634701	Stud	
24	70126104	Screw	

Motor, Pulley and Belt - 40 and 60 Pound Models

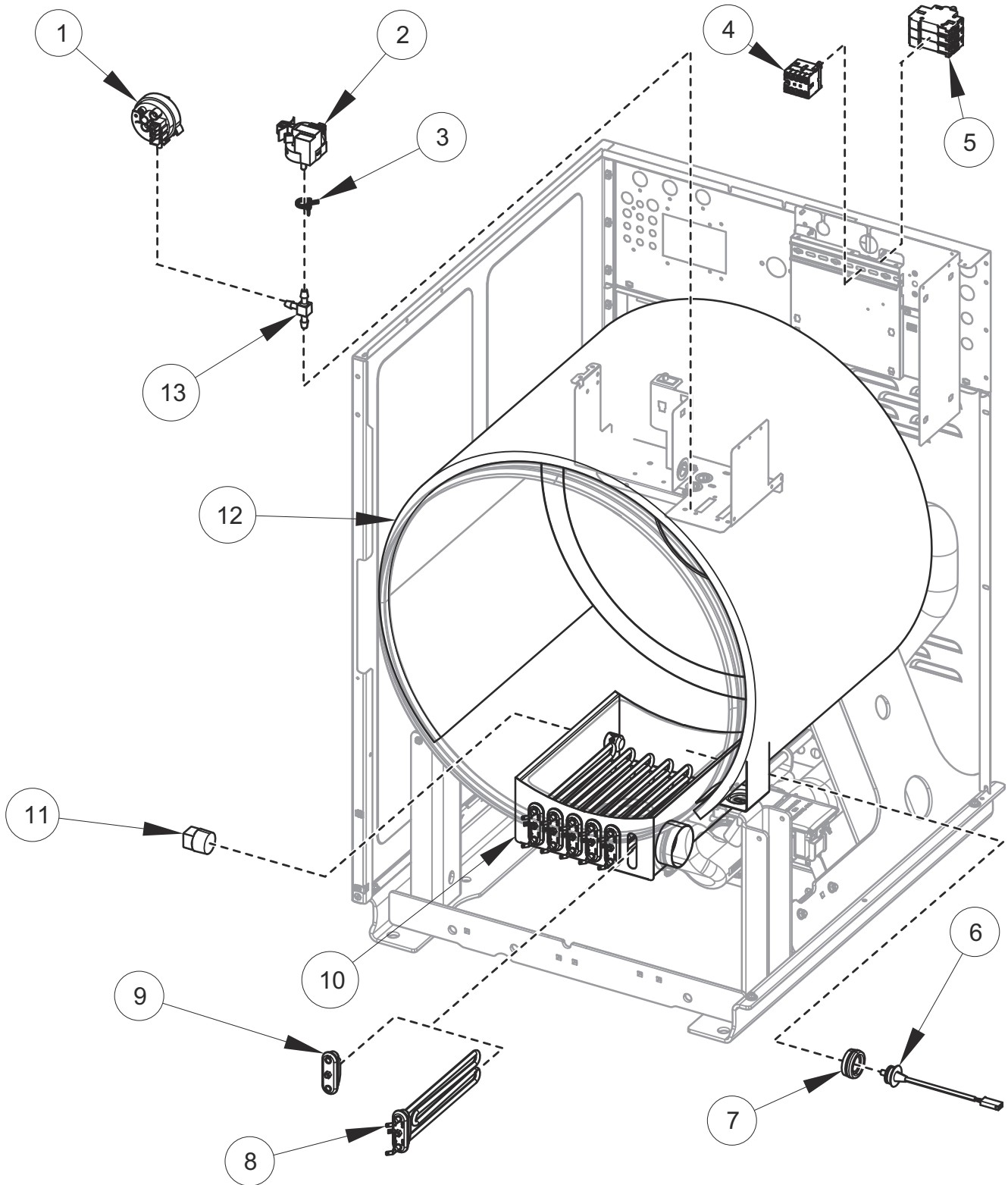


CHM3518P

Motor, Pulley and Belt - 40 and 60 Pound Models

REF	PART NO.	DESCRIPTION	COMMENTS
	F8733806	Gasket	EMI 17.8 inch
	F8733803	Gasket	EMI 25.6 inch
	F8733804	Gasket	EMI 29 inch
	F8519003	Motor Harness	2-3 hp; 240 Volt; B, Q, W, X and Y voltage
	F8719403	Motor Harness	2-3 hp; B, Q, W, X and Y voltage; IEC shielded models starting September 2021
	F8519004	Motor Harness	2-3 hp; 480 Volt; N and P voltage
	F8719404	Motor Harness	2-3 hp; N and P voltage; IEC shielded models starting September 2021
	F8519008	Motor Harness	B, Q, W, X and Y voltage; EMI filter models through August 2021
	F8519009	Motor Harness	N and P voltage; EMI filter models through August 2021
	F8748601	Spring Stud Kit	
1	F430801	Key	
2	F8511701	Basket Pulley	40 pound models
	F8511801	Basket Pulley	60 pound models
3	F8382813	Belt	40 pound models; Poly-V; 717J8
	F8382818	Belt	60 pound models; Poly-V; 765J10
4	F8574001	Screw	
5	M400077	Set Screw	
6	F431115	Washer	
7	H8752006H	Key	
8	F8564101P	Motor	2 hp; 230/460 Volt; 40 pound models
	F8564102P	Motor	3 hp; 230/460 Volt; 60 pound models
9	F8525301	Motor Pulley	40 pound models
	F8525302	Motor Pulley	60 pound models
10	F8402801	Bolt	
11	23222	Screw	
12	F8732801	Bracket	
13	F8441101	Motor Rod Plate	
14	44087201	Nut	
15	F8589002	Motor Bracket Weldment	
16	F8535202	Flanged Isolator	
17	F8333302	Flanged Bushing	
18	F8634701	Stud	
19	70126104	Screw	
20	F310124	Extension Spring	40 pound models
	F8440701	Extension Spring	60 pound models
21	F8319503	Eye Bolt	
22	F8581201	Spring Bracket	
23	44087301	Nut	

Electric Heating

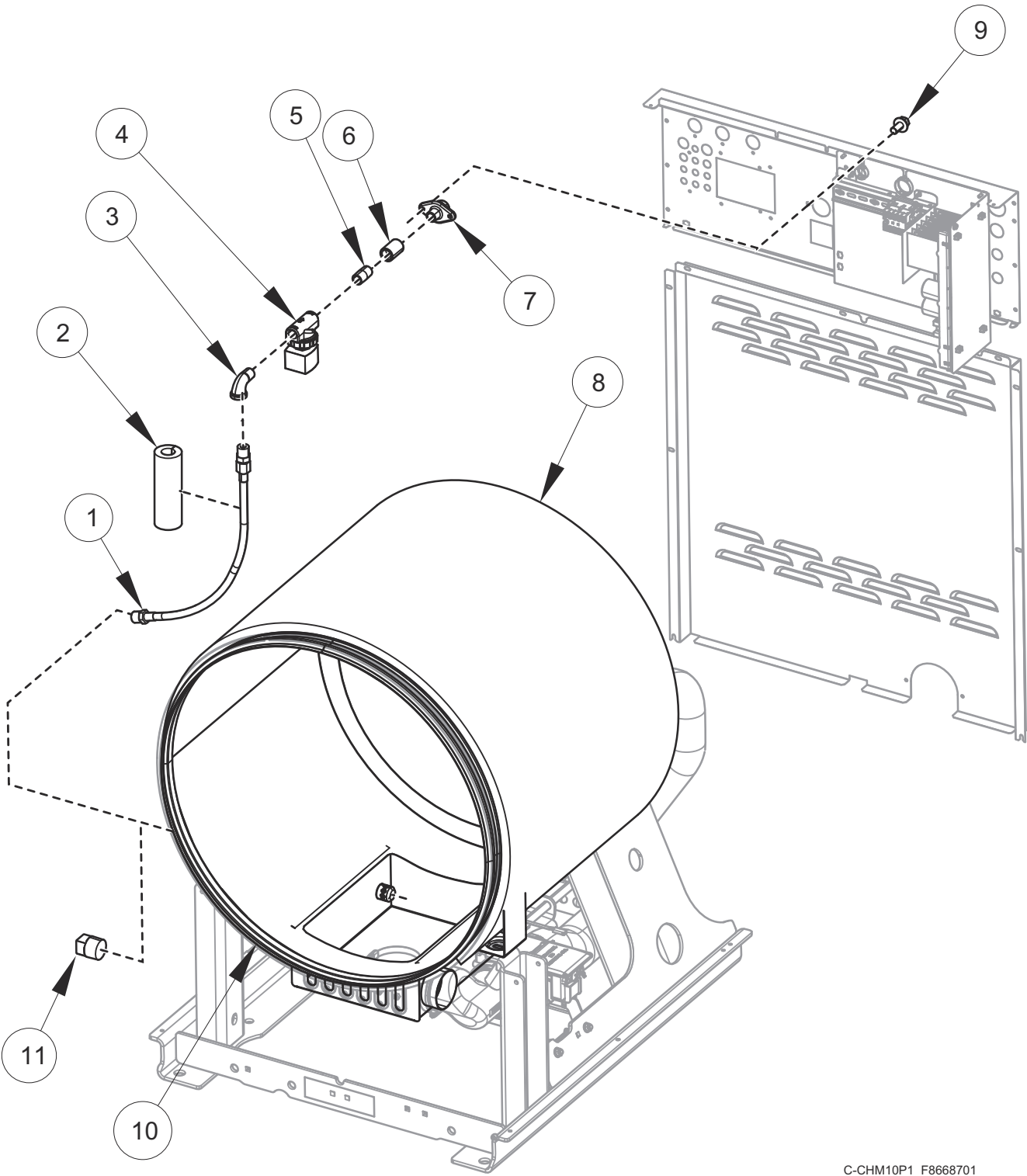


C-CHM8P6_F8668701

Electric Heating

REF	PART NO.	DESCRIPTION	COMMENTS
	F8584801	Electric Heat Element Harness	3 element ground
	F8584802	Electric Heat Element Harness	6 element ground
	F8619101	Power Harness	
	F8564001	Harness	Heater; 20 and 30 pound models; N and P Voltage
	F8564002	Harness	Heater; 20 and 30 pound models; Q Voltage
	F8564003	Harness	Heater; 40 and 60 pound models; N, P and Q Voltage
	F8598301	Harness	Thermistor; 20 and 30 pound models
	F8598302	Harness	Thermistor; 40 and 60 pound models
	F8568901	Jumper	40 and 60 pound models with N voltage
	F8569001	Jumper	40 and 60 pound models with P voltage; 20 and 30 pound models with N and P voltage
1	F8609101	Water Level Pressure Switch	
2	F8623401	Pressure Sensor	
3	39282	Hose Clamp	
4	70482601	Contactora	
5	70488101	Circuit Breaker	
6	F8538801	Thermistor	
7	2251000400	Temperature Probe Grommet	
8	F8568401	Heating Element	2600W; 240 Volt
	F8568402	Heating Element	3400W; 277 Volt
	F8568301	Heating Element	4200W; 230 Volt
9	F360202	Heating Element Plug	
10	F8512102	Shell	20 pound models
	F8514002	Shell	30 pound models
	F8512202	Shell	40 pound models
	F8543702	Shell	60 pound models
11	F420408	Plug	20, 30 and 40 pound models
	F420409	Plug	60 pound models
12	F8209101	Insulation	20 pound models
	F8209102	Insulation	30 pound models
	F8209103	Insulation	40 pound models
	F8209104	Insulation	60 pound models
13	203464	Barbed Tee	

Steam Heating - 40 and 60 Pound Models

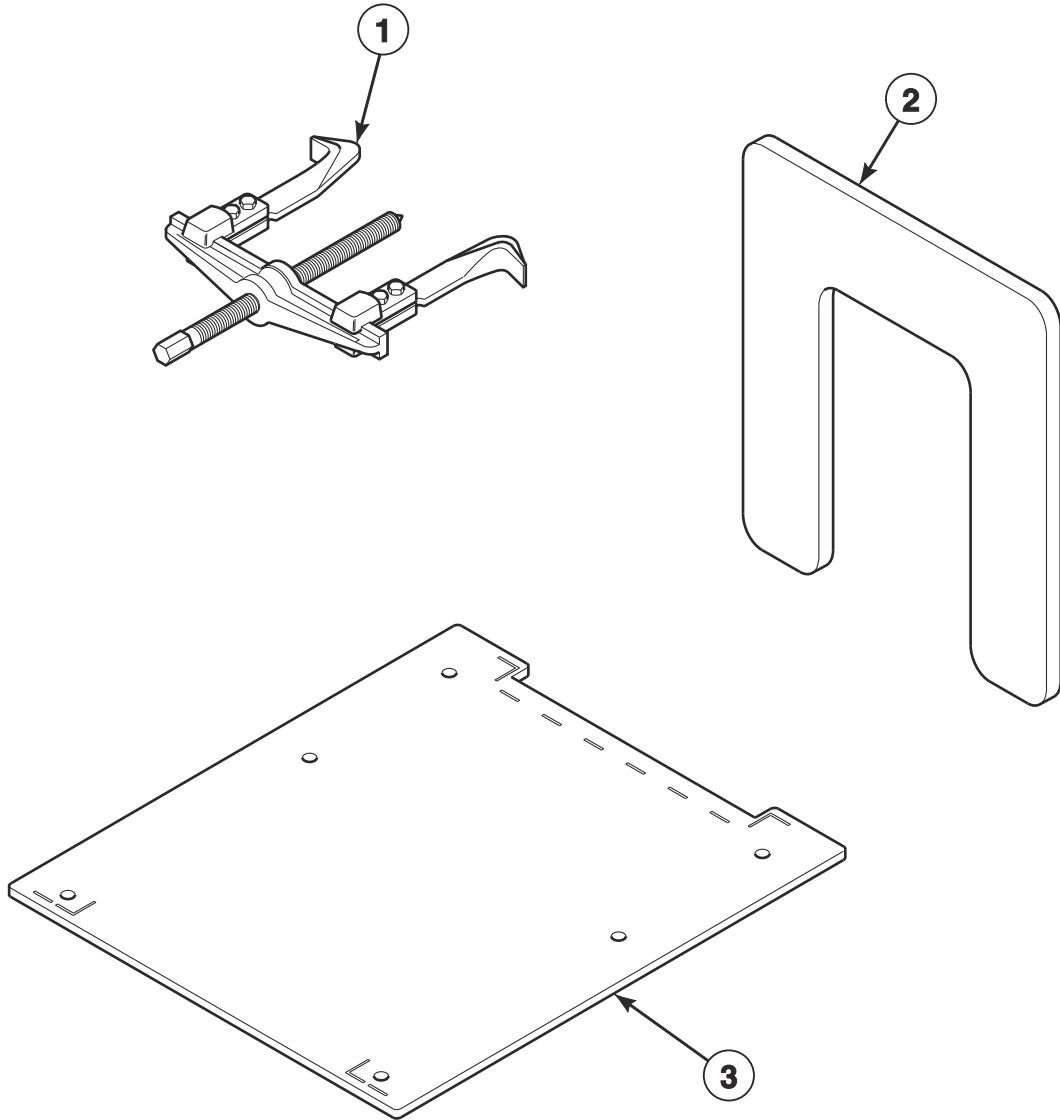


C-CHM10P1_F8668701

Steam Heating - 40 and 60 Pound Models

REF	PART NO.	DESCRIPTION	COMMENTS
	F8662602	Steam Kit	40 pound models; Includes Items 1-7, 9, 11, 901403 Pipe Nipple, F270307 Steam Filter, F8520704 Harness, insulation and labels
	F8662601	Steam Kit	60 pound models; Includes Items 1-7, 9, 11, 901403 Pipe Nipple, 70214101 Pipe Nipple, F270307 Steam Filter, F8520704 Harness, insulation and labels
	F270307	Steam Filter	1/2 inch
	F270308	Steam Filter	3/4 inch
	F8520704	Harness	Steam Valve
	F8233704	Insulation	Steam pipe; 12 inches
	F8233708	Pipe Insulation	Steam pipe; 20 inches
	F410300	Pipe Insulation	36 inches
1	F200153P	Steam Hose	40 pound models
	F200197	Steam Hose	60 pound models
2	F8233702	Insulation	6 inches
3	H86070034	Street Elbow	
4	F8322805	Valve	
	F8515001	Coil	
5	70435601	Pipe Nipple	
6	F8116301	Coupling	
7	F8362701	Coupling	
8	F8209103	Insulation	40 pound models
	F8209104	Insulation	60 pound models
9	70321501	Screw	
10	F8512202	Shell	40 pound models
	F8543702	Shell	60 pound models
11	F420408	Plug	

Special Tools and Kits



CHM3486P_F8668701

Special Tools and Kits

REF	PART NO.	DESCRIPTION	COMMENTS
	F8555406	Connector	8 pin; Use with 204094 Central Pay Control Assembly
	F8673201	Central Pay Kit	20, 30 and 40 pound models without external supply board; N, P, Q, W, X and Y voltage; Includes item 13, 204094 Central Pay Assembly, 202758 Transformer, F140938 Snap Bushing, hardware and harnesses
	F8673203	Central Pay Kit	20, 30 and 40 pound models with external supply board; N, P, Q, W, X and Y voltage; Includes item 13, 204094 Central Pay Assembly, F140938 Snap Bushing, hardware and harnesses
	F8673202	Central Pay Kit	60 pound models without external supply board; N, P, Q, W, X and Y voltage; Includes item 13, 204094 Central Pay Assembly, 202758 Transformer, F140938 Snap Bushing, hardware and harnesses
	F8673204	Central Pay Kit	60 pound models with external supply board; N, P, Q, W, X and Y voltage; Includes item 13, 204094 Central Pay Assembly, F140938 Snap Bushing, hardware and harnesses
	1111P	Concrete Kit	5/8 inch
	389P4	Basket Tool Kit	Purchase; Requires item 1
	390P4-1	Basket Rental Tool Kit	Purchase; Requires item 1
	203346	USB IR Interface Kit	
	F8673205	Central Pay Kit	20, 30 and 40 pound models without external supply board; B voltage; Includes 204094 Central Pay Assembly, 202757 Transformer, F140938 Bushing, labels, hardware and harnesses
	204454	Ferrite	SCK models
1	F460129P	Basket Puller Tool	
2	F8608502P	Basket Pulley Puller Tool	Use with item 1
3	F8433301	Frame Template	20 pound models
	F8433401	Frame Template	30 pound models
	F8433501	Frame Template	40 pound models
	F8433601	Frame Template	60 pound models

Parts Index

A

Access Cover	
F8047801	81, 83, 85, 87
Access Panel	
F8524001	43, 45, 47, 49, 51, 53
F8524101	43, 45, 47, 49, 51, 53
F8524201	43, 45, 47, 49, 51, 53
F8553901	43, 45, 47, 49, 51, 53
Access Panel Retaining Spacer	
F8609701	43, 45, 47, 49, 51, 53
App Pay Overlay Kit	
44374701	11, 13, 15, 19, 21, 23
Auxiliary Fill Hose	
F8598501	87

B

Backflow Preventer	
800310	79
Barbed Tee	
203464	11, 13, 15, 93
Basket	
F8391302	73
F8391304	73
F8391502	73
F8391504	73
F8391702	73
F8391704	73
F8502802	73
F8502805	73
Basket Capacity Label	
F8699702	45, 47, 51, 53
F8699703	45, 47, 51, 53
F8699704	45, 47, 51, 53
F8699706	45, 47, 51, 53
Basket Puller Tool	
F460129P	97
Basket Pulley	
F8511601	89
F8511701	89, 91
F8511801	91
Basket Pulley Puller Tool	
F8608502P	97
Basket Rental Tool Kit	
390P4-1	97
Basket Tool Kit	
389P4	97
Bearing	
F100108	75
F100123P	75
F100134	75
F100135	75
F100136P	75
F100137P	75
Bearing Housing	
F8246802	75
F8247902	75
F8249902	75
F8250902	75

Bearing Housing Assembly	
F8271601P	75
F8271602	75
F8271701P	75
F8271702	75
F8271801P	75
F8271802	75
F8271901P	75
F8271902	75
Belt	
F8382811	89
F8382812	89
F8382813	91
F8382818	91
Bolt	
F430974	59, 61, 63, 65, 67, 69
F8270701	71
F8402801	57, 77, 79, 89, 91
F8508101	59, 61, 63, 65, 67, 69
70062401	89
Bracket	
F8571301	79
F8571401	79
F8732801	91
Bushing	
70346501	27, 29, 31, 33, 35, 37

C

Cabinet Brace	
F8527301	55
F8527401	55
F8527501	55
F8553201	55
Cable	
F8521301	55
Cap	
F8197701	81, 83, 85
Card Plate Assembly	
F8201501	13, 15
Central Pay Harness	
44342801	13, 15
Central Pay Kit	
F8673201	97
F8673202	97
F8673203	97
F8673204	97
F8673205	97
Chemical Injection Control	
804528	39
Circuit Breaker	
70488101	31, 33, 35, 37, 93
Clamp Ring Assembly	
F8537804	73
Clip	
F8566801	81, 83, 85, 87
Coil	
F8515001	95
Coin Drawer Assembly	
F8182001	25

N/A items do not appear in index.

Coin Drop				Control Tray	
38963P	19			F8530701	17
39748	19			Coupling	
70441601P	19			F8116301	95
70441603	21			F8362701	95
Coin Drop Assembly					
201141	19				
210195	21				
210196	21				
38462P	19				
38463	19				
38464P	19				
38467	21				
38475	19				
38519	21				
70281102	21				
70283102	21				
70441602	21				
70447301	21				
70471601	19				
70482401	21				
70506901	19				
Coin Drop Kit					
CK077	19				
CK122	23				
Coin Identification Paper					
38725	19, 21, 23				
Coin Meter					
F0160737-00	21				
Coin Vault Assembly					
F8529101	11				
Coin Vault Bypass Harness					
F8519702	13, 15				
Coin Vault Harness					
F8519701	11				
Concrete Kit					
1111P	97				
Connector					
F8555406	97				
70493102	39				
Contactactor					
F330188P	93				
70482601	27, 29, 31, 33, 35, 37				
70482701	27, 29, 31, 33, 35, 37				
Contactactor Tray					
F8530901	27, 29, 31, 33, 35, 37				
Control Assembly					
F8493901P	11, 13, 15				
Control Panel Assembly					
F8523701	43				
F8523704	49				
F8523801	43				
F8523804	49				
F8523901	43				
F8523904	49				
F8553701	43				
F8553704	49				
F8697101	45, 47				
F8697102	51, 53				
F8697201	45, 47				
F8697202	51, 53				
F8697301	45, 47				
F8697302	51, 53				
F8697401	45, 47				
F8697402	51, 53				
				D	
				Danger Label	
				F8614501	9
				DIN Rail	
				B12315401	31, 33, 35, 37
				M412689	27, 29, 31, 33, 35, 37
				Dispenser	
				F8047403	81, 83, 85, 87
				Dispenser Bracket	
				F8525701	55
				Dispenser Cover	
				F8563201	81, 83, 85, 87
				F8563202	81, 83, 85, 87
				F8563203	81, 83, 85, 87
				F8563204	81, 83, 85, 87
				Dispenser Gasket	
				B12568601	81, 83, 85, 87
				Dispenser Weldment	
				F8437902	81, 83, 85, 87
				Door	
				F8507501P	59, 61
				F8507502	59, 61
				F8507601	63, 65
				F8507602	63, 65
				F8507701	67, 69
				F8507702	67, 69
				Door Assembly	
				F8617201	59
				F8617202	59
				F8617211	61
				F8617212	61
				F8617301	63
				F8617302	63
				F861731	65
				F8617311	65
				F8617401	67
				F8617402	67
				F8617411	69
				F8617412	69
				Door Bezel	
				F170417-1	43, 45, 47, 49, 51, 53
				F8658701	43, 45, 47
				F8658801	49, 51, 53
				F8659101	43, 45, 47, 49, 51, 53
				Door Gasket	
				F200000202	59, 61
				F8111502	67, 69
				F8111602	63, 65
				Door Glass	
				F8485301P	63, 65
				F8485401P	67, 69
				Door Glass Kit	
				F290205P	59, 61
				Door Glass Trim	
				F8583201	59, 61
				F8583202	63, 65
				F8583203	67, 69

N/A items do not appear in index.

Door Handle			
F8199401P	59, 63, 67		F8496301P
F8624603	61, 65, 69		F8496901
Door Handle Spacer Kit			Drive Communication Harness
F8567501	59, 61, 63, 65, 67, 69		F8519201
Door Hinge			F8519202
F190216P	59, 61, 63, 65, 67, 69		F8519203
Door Hinge Shim Kit			F8519204
F200131000P	59, 61, 63, 65, 67, 69		Drive Mounting Bracket
Door Latch Arm Assembly			F8322401
F8221403	59, 61, 63, 65, 67, 69		Drive Panel Base Assembly
Door Lock Assembly			F8567001
F8632401	71		F8567002
Door Lock Catch			F8567003
F8344501	71		F8567004
Door Lock Cover			Drive Power Harness
F8245001	71		F8518601
Door Lock Harness			F8518602
F8520201	71		F8518603
F8520202	71		Drive Shield
Door Lock Microswitch			F8616901
F200203200	71		F8616901
Door Lock Plate Assembly			Drive Terminal Tray
F8223202	71		F8530801
Door Lock Plate Shim			F8530803
F83344401	71		
Door Lock Solenoid Replacement Kit			<hr/>
F977P3	71		E
Door Lock Switch Lever			Electric Heat Element Harness
F8223401	71		F8584801
Door Mount			F8584802
F150271	59, 61, 63, 65, 67, 69		Electronic Coin Drop Assembly
Double Check Valve			70294107
F8301201	81, 83, 85, 87		70513302
Dowel Pin			70513303
F8388201	75		70513304
Drain Hose			70513306
F8541901	77		70513309
F8542001	77		70513310
F8542002	77		70513311
27154	79		70513312
Drain Hose Elbow			70513313
35766	79		70513314
Drain Tee			70513315
F150398	77		70513316
Drain Valve			Electronic Coin Drop Kit
F8406308	77		CK099
Drain Valve Bracket			CK100
F8543101	77		CK101
F8543301	77		CK108
F8543401	77		CK109
F8587701	77		CK110
Drain Valve Cover			CK113
F200133600	77		CK115
Drain Valve Harness			CK116
F8520001	77, 79		CK117
F8520002	77, 79		CK118
Drain Valve Kit			CK119
F200166302	77		CK120
F200166402	77		CK121
F8577201	77		CK500
Drive Assembly			Emergency Stop Bypass Harness
F8495401P	41		F8519403
F8496001	41		F8549403
			EMI Filter
			F8591601
			F8591801

N/A items do not appear in index.

F8637501	29, 33, 37
End Stop	
F8449801	27, 29, 31, 33, 35, 37
Ethernet Gateway Kit	
NK320	17
Excluder Seal	
F8337002	73
Expansion Clip	
70030501	17, 27, 29, 31, 33, 35, 37, 41, 43, 45, 47, 49, 51, 53, 55, 57, 71, 79
Extension Spring	
F310124	89, 91
F8440701	91
External Supply Kit	
F8662501	39
F8662502	39
F8662503	39
F8662504	39
F8662505	39
F8662506	39
F8662507	39
F8662508	39
Eye Bolt	
F8319503	89, 91

F

Ferrite	
204454	97
Fill Hose Kit	
F8671101	81, 83, 85, 87
F8671102	81, 83, 85, 87
F8671201	81, 83, 85, 87
F8671202	81, 83, 85, 87
Fill Valve Harness	
F8520101	81, 83, 85
F8520102	87
Filter Kit	
F8662801	27
F8662802	31
F8662803	29
F8662804	33, 35
F8662805	29
F8662806	33, 37
F8662809	29
F8662810	29
F8662811	33, 35
F8662812	33, 37
Flanged Bushing	
F8333302	89, 91
Flanged Isolator	
F8535202	89, 91
Fob Communication Harness	
F8719301	15
Fob Reader Control Assembly	
205135	15
Frame Template	
F8433301	97
F8433401	97
F8433501	97
F8433601	97
Front Panel	
F8424403	47
F8424404	53

F8424503	47
F8424504	53
F8524301	43
F8524302	49
F8524303	47
F8524304	53
F8524401	43
F8524402	49
F8524501	43
F8524502	49
F8554001	43
F8554002	49
F8554003	47
F8554004	53
F8685301	45, 47
F8685302	51, 53
F8686001	45, 47
F8686002	51, 53
F8686101	45, 47
F8686102	51, 53
F8686201	45, 47
F8686202	51, 53

Front Tray Assembly

F8531001	11, 13, 15
F8567301	11
F8567302	11
F8567303	11
F8567304	11
F8567305	11
F8567306	11
F8567307	13, 15
F8567308	13, 15
F8567309	13, 15
F8567310	13, 15
F8567311	13, 15
F8567312	13, 15

G

Gasket	
F8542601	55
F8733801	89
F8733802	89
F8733803	91
F8733804	91
F8733806	89, 91
Gateway	
204145P	17
205223P	17
205391P	17
Ground Lug Connector	
M411283	27, 29, 31, 33, 35, 37

H

Harness	
F8518401	29, 33, 35
F8518402	27, 29
F8518403	33, 35
F8518404	27, 29, 35
F8518405	27, 31
F8518501	27, 29, 33, 37
F8518502	29
F8518503	33, 37
F8518504	29, 33

N/A items do not appear in index.

F8518604	31
F8518605	29, 33, 37, 41
F8518606	29, 33, 37, 41
F8518607	35
F8519301	11, 13, 15
F8519501	11, 13, 15
F8519502	11, 13, 15
F8519601	11, 13, 15
F8520601	39
F8520602	39
F8520704	95
F8528001	29, 31, 33, 35, 37
F8528002	29
F8528003	31, 33, 35, 37
F8528004	27, 31
F8528005	29, 33, 35, 37
F8528006	27, 31
F8528203	39
F8528204	39
F8564001	93
F8564002	93
F8564003	93
F8598301	73, 93
F8598302	73, 93
F8619102	27, 29, 31, 33, 35, 37
Harness Support Bracket	
F8744301	27, 29, 31, 33, 35, 37
Heating Element	
F8568301	93
F8568401	93
F8568402	93
Heating Element Plug	
F360202	93
Hole Plug	
F8223801	55
Hose	
F8232007	81
F8232010	85
F8232011	83
F8232012	87
Hose Clamp	
F200201	77, 81, 83, 85, 87
F200204	79
F200213	77, 81, 83, 85, 87
F200215	79
F200219	79
36801	81, 83, 85, 87
36802	77, 79
39282	11, 13, 15, 93
Hot Surface Warning Label	
F8609001	9
F8614301	9

I	
Input and Output Control Assembly	
F8494101P	17
Instruction Label	
F8698801	45, 47, 51, 53
F8698901	45, 47, 51, 53
Insulation	
F8209101	93
F8209102	93
F8209103	93, 95
F8209104	93, 95
F8233702	95

F8233704	95
Insulator	
M413862	27, 29, 31, 33, 35, 37

J	
Jumper	
F8568901	93
F8569001	93
F8583501	31, 33, 35, 37

K	
Key	
F160420	25
F430801	89, 91
H8752006H	89, 91
70155603	55

L	
Label	
D516100	27, 29, 31, 33, 35, 37
F8601301	9
F8602401	9
F8609401	9
F8611301	9, 55
F8611401	9, 55
F8614801	9
203853	9
44286801	27, 31
44286803	29, 33, 37

M	
Machine ID Control Assembly	
203361P	11, 13, 15
Magnet	
F8390801	59, 61, 63, 65, 67, 69
Male Tab Terminal	
00621SG	27
Manifold Valve	
F8529701	81, 83, 85, 87
F8529702P	81, 83, 85, 87
Mixing Valve	
F8434003	87
F8434004	87
Motor	
F8509601P	89
F8509701	89
F8564101P	91
F8564102P	91
Motor Bracket Weldment	
F8589001	89
F8589002	91
Motor Conduit Mounting Bracket	
F8732401	89
70521901	89
Motor Harness	
F8519001	89
F8519002	89

N/A items do not appear in index.

F8519003	91
F8519004	91
F8519006	89
F8519007	89
F8519008	91
F8519009	91
F8719401	89
F8719402	89
F8719403	91
F8719404	91
Motor Pulley	
F8525301	89, 91
F8525302	91
Motor Rod Plate	
F8441101	89, 91
Mounting Plate	
70208801	13, 15

N

Nameplate	
F8688801	45, 47
Nut	
C001236	59, 61, 63, 65, 67, 69
F0431807-00	81, 83, 85, 87
F430215	23, 59, 61, 63, 65, 67, 69
F430218	73
F430225	71
F430232	59, 61, 63, 65, 67, 69, 71
F431024	71
F431041	59, 61, 63, 65, 67, 69
F8387701	75
44087201	57, 77, 79, 89, 91
44087301	73, 89, 91
44088001	27, 29, 31, 33, 35, 37
44088801	55
685846	11, 13, 15, 19, 21
70030401	77
70054	15

O

Opto Coupler	
200674P	19, 21
O-Ring	
F8569101	81, 83, 85, 87
Overflow Hose	
F8521201	77
F8522401	77
F8522501	77
Overflow Plug	
F150352	79
Overlay	
F8655701	43, 47
F8655702	43, 47
F8655703	49
F8655801	43, 47
F8655802	43, 47
F8655803	49
F8655901	43, 47
F8655902	43, 47
F8655903	49
F8656001	43, 47
F8656002	43, 47

F8656003	49
F8695301	45
F8695302	45
F8695303	51
F8695401	45
F8695402	45
F8695403	51
F8696301	51, 53
F8696302	51, 53
F8731001	47
F8731002	47
F8731003	53
F8731101	47
F8731102	47
F8731103	53
F8731201	47
F8731202	47
F8731203	53
F8731301	47
F8731302	47
F8731303	53
F8733901	15
70295101	47
70557001	49
70557002	49

P

Panel Locator	
56079	43, 45, 47, 49, 51, 53, 57
Panel Lock	
44089303P	55
Pin	
F8302701	73
F8502101	57
Pinch Warning Label	
F8615701	9
70538401	9
Pipe Insulation	
F410300	95
F8233708	95
Pipe Nipple	
70435601	95
Plug	
F420408	93, 95
F420409	93
F8223901	55
M400985	55
Pop Rivet	
F431215	43, 45, 47, 49, 51, 53, 55
F431223	59, 61, 63, 65, 67, 69
M400003	17, 27, 29, 31, 33, 35, 37
70058501	11, 19, 21, 27, 29, 31, 33, 35, 37, 81, 83, 85, 87
70412601	43, 45, 47, 49, 51, 53
Power Distribution Block	
M413865	27, 29, 31, 33, 35, 37
Power Distribution Block Cover	
44014901P	27, 29, 31, 33, 35, 37
Power Harness	
F8619101	27, 29, 31, 33, 35, 37, 93
Pressure Cap	
F8579301	77, 79
Pressure Sensor	
F8623401	11, 13, 15, 93

N/A items do not appear in index.

P-Trap Hose	
F8529601	81
F8529602	83
F8529603	85
F8529604	87
Pulse Expander Assembly	
F8034701P	23
Pump Drain and Bracket Assembly	
804038	79
805613	79
805723	79
Pump Drain Bracket	
F8536901	79
F8557101	79
F8557301	79
Pump Drain Conversion Kit	
F8749401	79
F8749403	79
F8749404	79
F8749406	79
F8749407	79
F8749409	79
Pump Drain Hose	
F8556601	79
Pump Drain Rear Hose	
F8537001	79
F8557001	79
F8557201	79
Pushbutton Switch	
70413301	55

R

Radial Lip Seal	
F8203816	75
Rear Drain Hose	
F8543001	77
F8543201	77
F8543501	77
F8587301	77
Rear Panel	
F8527001	55
F8527101	55
F8527201	55
F8554501	55
Rear Vent Hose	
F8616401	81
F8616402	83, 85
F8616404	87
Reed Switch Assembly	
F8066804	71
Retaining Ring	
F8337801	75
F8337901	75
F8344901	75
F8345001	75
Rivet	
M412763	43, 45, 47, 49, 51, 53, 57
Rod	
F602813-2	59, 61, 63, 65, 67, 69

S

Screw	
D503688	41
F430532	59, 61
F430533	63, 65, 67, 69
F430536	59, 61, 63, 65, 67, 69
F8117601	43, 45, 47, 49, 51, 53, 55, 57, 71, 79
F8206901	17, 27, 29, 31, 33, 35, 37, 55, 79
F8230301	81, 83, 85, 87
F8368801	75
F8442702	75
F8535501	59, 61, 63, 65, 67, 69
F8535601	81, 83, 85, 87
F8574001	89, 91
F8589501	43, 45, 47, 49, 51, 53
F8621601	73
F8658501	79
F8673701	73
202175	77
23222	89, 91
33562	55
39733	27, 29, 31, 33, 35, 37
403497	39
430497	17
51780	55
51783	27, 29, 31, 33, 35, 37
685837	27, 29, 31, 33, 35, 37
70126104	89, 91
70321501	95
800548	81, 83, 85, 87
Seal Scupper Pad	
F8350302	75
Set Screw	
M400077	89, 91
Shaft Seal Sleeve Kit	
F8343906P	73
Shell	
F8512101	73
F8512102	73, 93
F8512201	73
F8512202	73, 93, 95
F8514001	73
F8514002	73, 93
F8543701	73
F8543702	73, 93, 95
Shell Band Kit	
F8357802	73
F8537801	73
F8537803	73
Shell Front	
F8222301	73
F8222401	73
F8222501	73
F8222601	73
Shock Warning Label	
F8614201	9
Side Panel	
F8524601	57
F8524602	57
F8524603	57
F8524604	57
F8524701	57
F8524702	57
F8524703	57
F8524704	57

N/A items do not appear in index.

F8524705.....	57
F8524706.....	57
F8524801.....	57
F8524802.....	57
F8524803.....	57
F8524804.....	57
F8524805.....	57
F8524806.....	57
F8525605.....	57
F8525606.....	57
F8554201.....	57
F8554202.....	57
F8554203.....	57
F8554204.....	57
F8554205.....	57
F8554206.....	57
Siphon Cover	
F8047901.....	81, 83, 85, 87
Snap Bushing	
F140938.....	11, 13, 15, 27, 29, 31, 33, 35, 37, 39
M402542.....	11, 13, 15
M411826.....	11, 13, 15
Spacer	
F431901.....	71
Spring Bracket	
F8581201.....	89
Spring Pin	
F431222.....	59, 61, 63, 65, 67, 69
Spring Stud Kit	
F8748601.....	89, 91
Steam Filter	
F270307.....	95
F270308.....	95
Steam Hose	
F200153P.....	95
F200197.....	95
Steam Kit	
F8662601.....	95
F8662602.....	95
Street Elbow	
H86070034.....	95
Stud	
F8634701.....	89, 91
70334702.....	77
Supply Vacuum Hose	
F8529401.....	81
F8529402.....	83
F8529403.....	85
F8529404.....	87

T

Temperature Probe Grommet	
2251000400.....	73, 93
Terminal	
00621SG.....	29, 31, 33, 35, 37
00622SG.....	17, 27, 29, 31, 33, 35, 37
Terminal Block	
430642.....	27, 29, 31, 33, 35, 37
Terminal Block Shield	
70333001.....	27, 29, 31, 33, 35, 37
Terminal Tray Cover	
F8518301.....	55

Thermistor	
F8538801.....	73, 93
Top Cover	
F8525401.....	55
F8525501.....	55
F8525601.....	55
F8554301.....	55
Top Cover Hinge	
F8258601.....	55
Top Cover Latch	
F8201001.....	43, 45, 47, 49, 51, 53
Torsion/Door Lock Spring	
F8070301.....	71
Transformer	
F8491101.....	17
202757.....	17
202758.....	17
Triple Lip Seal	
F8203801.....	75
F8203802.....	75
F8203803.....	75
F8203806.....	75
F8203813.....	75
F8203814.....	75
F8203815.....	75
Tubing	
F8405302.....	11, 13, 15
F8405303.....	11, 13, 15

U

USB Gateway Kit	
NK330.....	17
USB IR Interface Kit	
203346.....	97

V

Vacuum Breaker Assembly	
F8517501.....	81, 83, 85, 87
F8517502.....	81, 83, 85, 87
F8517503.....	81, 83, 85, 87
F8517504.....	81, 83, 85, 87
Vacuum Breaker Guard	
F8589601.....	81, 83, 85, 87
Valve	
F8322805.....	95
F8565201.....	81, 83, 85, 87
F8565202.....	81, 83, 85, 87
Valve Panel	
F8513101.....	55
F8513201.....	55
F8513301.....	55
F8554401.....	55

W

Warning Label	
F8611601.....	9
44324001.....	9
Washer	
F430339.....	75

N/A items do not appear in index.

F431115	89, 91
F431133	59, 61, 63, 65, 67, 69
F431147	59, 61, 63, 65, 67, 69
F431916	59, 61, 63, 65, 67, 69
F431929	59, 61, 63, 65, 67, 69
F8193101	71
F8201101	43, 45, 47, 49, 51, 53
F8402701	73
M400080	73
M400081	73
M405535	57
Water Hose Kit	
F8665601	81, 83, 85, 87
F8665602	81, 83, 85, 87
F8665603	81, 83, 85, 87
F8665604	81, 83, 85, 87
Water Level Pressure Switch	
F8609101	11, 13, 15, 93
Wire Clip	
F8449501	11, 13, 15, 17
70347601	17
70366201	11, 13, 15
Wire Label	
44286804	29, 33, 35
Wireless Harness	
F8520403	17
F8520404	17
F8674003	17
F8674004	17
Wireless Kit	
F8662401	17
F8662402	17
F8676001	17
F8676101	17
Wireless Network Control Assembly	
203532	17
807211	17

Y

Y-Connector	
223/00243/00	87
