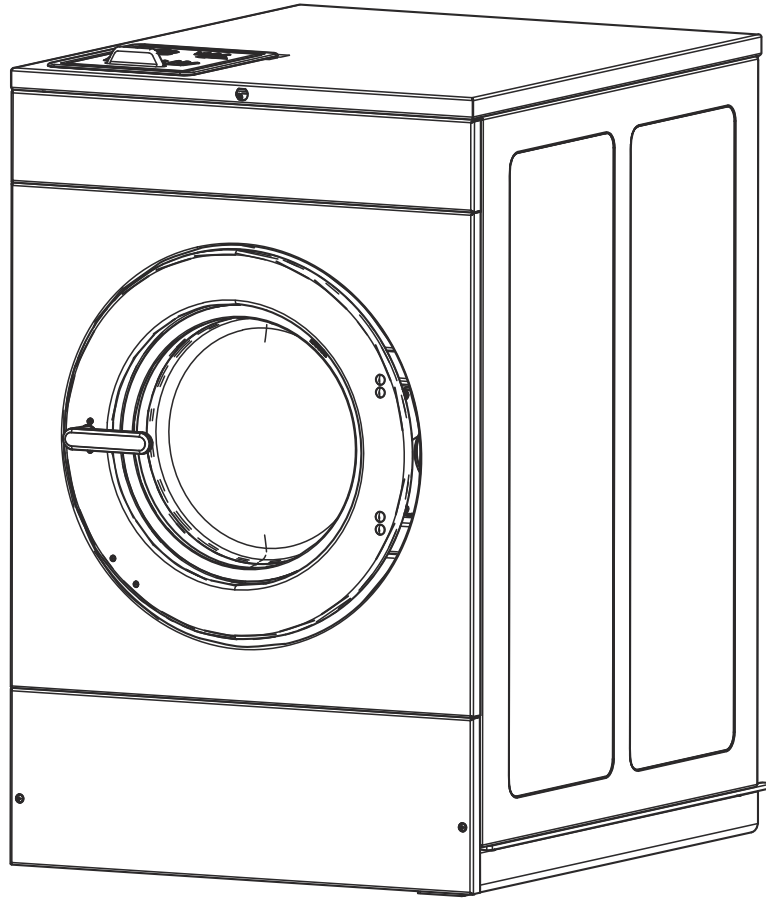


Washer-Extractor

Cabinet Hardmount

Design 4, 6 and 7

Refer to Page 5 for Model Numbers



C-CHM2C3_F8669101

Table of Contents

Title	Page
Parts Ordering Information.....	3
Serial Plate Location	3
Model Identification	5
Product Overview - Quantum Gold Vend.....	6
Labels	8
Control Module and Front Tray Assembly - Coin Models	10
Control Module and Front Tray Assembly - Card Reader and Central Pay Models	12
Control Module and Front Tray Assembly - FOB Models	14
Control Tray Assembly.....	16
Flush Mount Coin Meter Assembly - Single Drop	18
Flush Mount Coin Meter Assembly - Dual Drop.....	20
Electronic Coin Meter Assembly	22
Optional Coin Box	24
Inverter Drive Box - 20 and 30 Pound Models with B Voltage	26
Inverter Drive Box - 20 and 30 Pound Models with N, P, Q, W, X and Y Voltage.....	28
Inverter Drive Box - 40 Pound Models with B Voltage	30
Inverter Drive Box - 40 Pound Models with N, P, Q, W, X and Y Voltage.....	32
Inverter Drive Box - 60 Pound Models with Q and X Voltage	34
Inverter Drive Box - 60 Pound Models with N and P Voltage.....	36
External Supply Kit.....	38
Inverter Drive	40
Front Panels and Control Panel - Coin Models - Design 4	42
Front Panels and Control Panel - Coin Models - Design 6	44
Front Panels and Control Panel - Coin Models - Design 7	46
Front Panels and Control Panel Overlays - Coin Models - Design 7	48
Front Panels and Control Panel - Card Reader and Central Pay Models - Design 4	50
Front Panels and Control Panel - Card Reader and Central Pay Models - Design 6	52
Front Panels and Control Panel - Card Reader, Central Pay and FOB Models - Design 7	54
Rear and Top Panels	56
Side Panels.....	58
Door - 20 Pound Models - Design 4.....	60
Door - 20 Pound Models - Design 6 and 7	62
Door - 30 Pound Models - Design 4.....	64
Door - 30 Pound Models - Design 6 and 7	66
Door - 40 and 60 Pound Models - Design 4.....	68
Door - 40 and 60 Pound Models - Design 6 and 7.....	70
Door Lock.....	72
Shell Front, Basket, Shell and Frame Template	74
Bearing Housing	76
Drain Plumbing	78
Pump Drain Plumbing - 20, 30 and 40 Pound Models.....	80

© Copyright 2022, Alliance Laundry Systems LLC

All rights reserved. No part of the contents of this book may be reproduced or transmitted in any form or by any means without the expressed written consent of the publisher.

Fill Plumbing - 20 Pound Models	82
Fill Plumbing - 30 Pound Models	84
Fill Plumbing - 40 Pound Models	86
Fill Plumbing - 60 Pound Models	88
Motor, Pulley and Belt - 20 and 30 Pound Models.....	90
Motor, Pulley and Belt - 40 and 60 Pound Models.....	92
Electric Heating	94
Steam Heating - 40 and 60 Pound Models	96
Special Tools and Kits	98
Parts Index.....	101

Parts Ordering Information

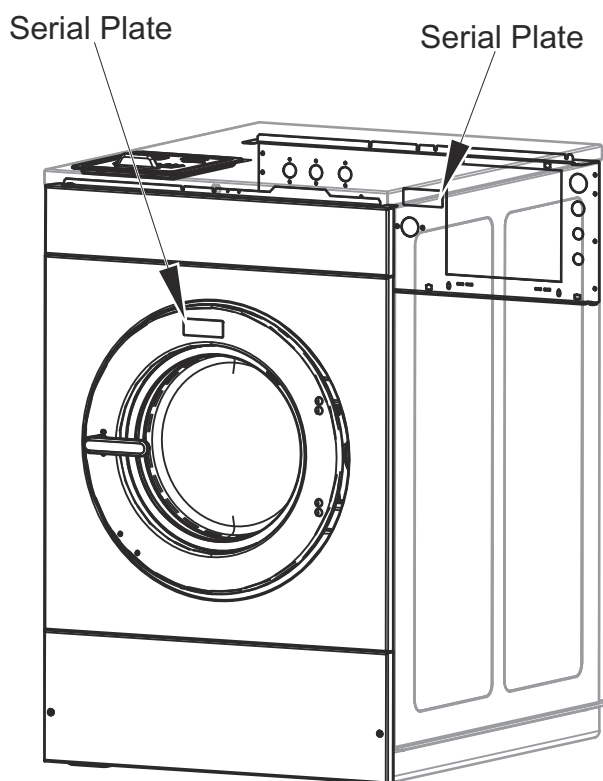
If literature or replacement parts are required, contact the source from whom the machine was purchased or contact Alliance Laundry Systems at (920) 748-3950 for the name and address of the nearest authorized parts distributor.

For technical assistance, call the number listed below:

(920) 748-3121 Ripon, Wisconsin

Serial Plate Location

When calling or writing about your product, be sure to mention model and serial numbers. Model and serial numbers are located on serial plate(s) as shown.



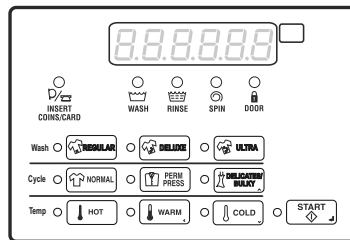
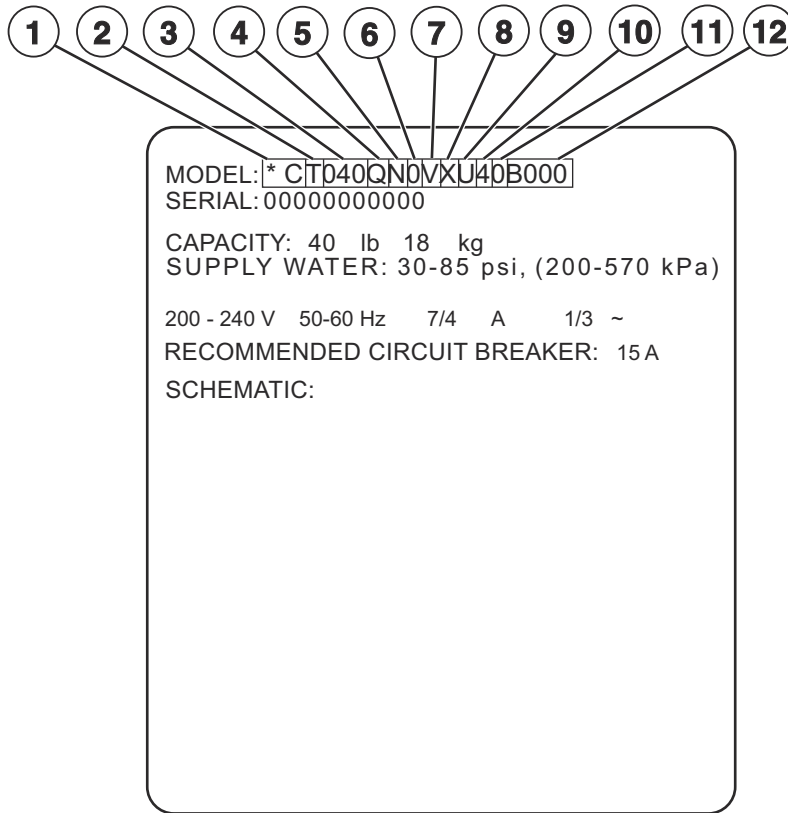
C-CHM2C2_F8669101

Model Identification

Information in this manual is applicable to these washer-extractor models:

SCA020NC	SCH020NC	SCK020NC	SCL020NH	SCT020NX
SCA020ND	SCH020ND	SCK020ND	SCL020NL	SCT020NY
SCA020NE	SCH020NE	SCK020NE	SCL020NQ	SCT030NC
SCA020NF	SCH020NF	SCK020NF	SCL020NT	SCT030ND
SCA020NH	SCH020NH	SCK020NH	SCL020NV	SCT030NE
SCA020NL	SCH020NL	SCK020NL	SCL020NX	SCT030NF
SCA020NQ	SCH020NQ	SCK020NQ	SCL020NY	SCT030NH
SCA020NT	SCH020NT	SCK020NT	SCL030NC	SCT030NL
SCA020NV	SCH020NV	SCK020NV	SCL030ND	SCT030NP
SCA020NX	SCH020NX	SCK020NX	SCL030NE	SCT030NQ
SCA020NY	SCH020NY	SCK020NY	SCL030NF	SCT030NT
SCA030NC	SCH030NC	SCK030NC	SCL030NH	SCT030NV
SCA030ND	SCH030ND	SCK030ND	SCL030NL	SCT030NX
SCA030NE	SCH030NE	SCK030NE	SCL030NQ	SCT030NY
SCA030NF	SCH030NF	SCK030NF	SCL030NT	SCT040NC
SCA030NH	SCH030NH	SCK030NH	SCL030NV	SCT040ND
SCA030NL	SCH030NL	SCK030NL	SCL030NX	SCT040NE
SCA030NQ	SCH030NQ	SCK030NQ	SCL030NY	SCT040NF
SCA030NT	SCH030NT	SCK030NT	SCL040NC	SCT040NH
SCA030NV	SCH030NV	SCK030NV	SCL040ND	SCT040NL
SCA030NX	SCH030NX	SCK030NX	SCL040NE	SCT040NP
SCA030NY	SCH030NY	SCK030NY	SCL040NF	SCT040NQ
SCA040NC	SCH040NC	SCK040NC	SCL040NH	SCT040NT
SCA040ND	SCH040ND	SCK040ND	SCL040NL	SCT040NV
SCA040NE	SCH040NE	SCK040NE	SCL040NQ	SCT040NX
SCA040NF	SCH040NF	SCK040NF	SCL040NT	SCT040NY
SCA040NH	SCH040NH	SCK040NH	SCL040NV	SCT060NC
SCA040NL	SCH040NL	SCK040NL	SCL040NX	SCT060ND
SCA040NQ	SCH040NQ	SCK040NQ	SCL040NY	SCT060NE
SCA040NT	SCH040NT	SCK040NT	SCL060NC	SCT060NF
SCA040NV	SCH040NV	SCK040NV	SCL060ND	SCT060NH
SCA040NX	SCH040NX	SCK040NX	SCL060NE	SCT060NL
SCA040NY	SCH040NY	SCK040NY	SCL060NF	SCT060NP
SCA060NC	SCH060NC	SCK060NC	SCL060NH	SCT060NQ
SCA060ND	SCH060ND	SCK060ND	SCL060NL	SCT060NT
SCA060NE	SCH060NE	SCK060NE	SCL060NQ	SCT060NV
SCA060NF	SCH060NF	SCK060NF	SCL060NT	SCT060NX
SCA060NH	SCH060NH	SCK060NH	SCL060NV	SCT060NY
SCA060NL	SCH060NL	SCK060NL	SCL060NX	SCZ020NC
SCA060NQ	SCH060NQ	SCK060NQ	SCL060NY	SCZ020ND
SCA060NT	SCH060NT	SCK060NT	SCT020NC	SCZ020NE
SCA060NV	SCH060NV	SCK060NV	SCT020ND	SCZ020NF
SCA060NX	SCH060NX	SCK060NX	SCT020NE	SCZ020NH
SCA060NY	SCH060NY	SCK060NY	SCT020NF	SCZ020NL
		SCL020NC	SCT020NH	SCZ020NQ
		SCL020ND	SCT020NL	SCZ020NT
		SCL020NE	SCT020NP	SCZ020NV
		SCL020NF	SCT020NQ	SCZ020NX
			SCT020NT	SCZ020NY
			SCT020NV	

Product Overview - Quantum Gold Vend



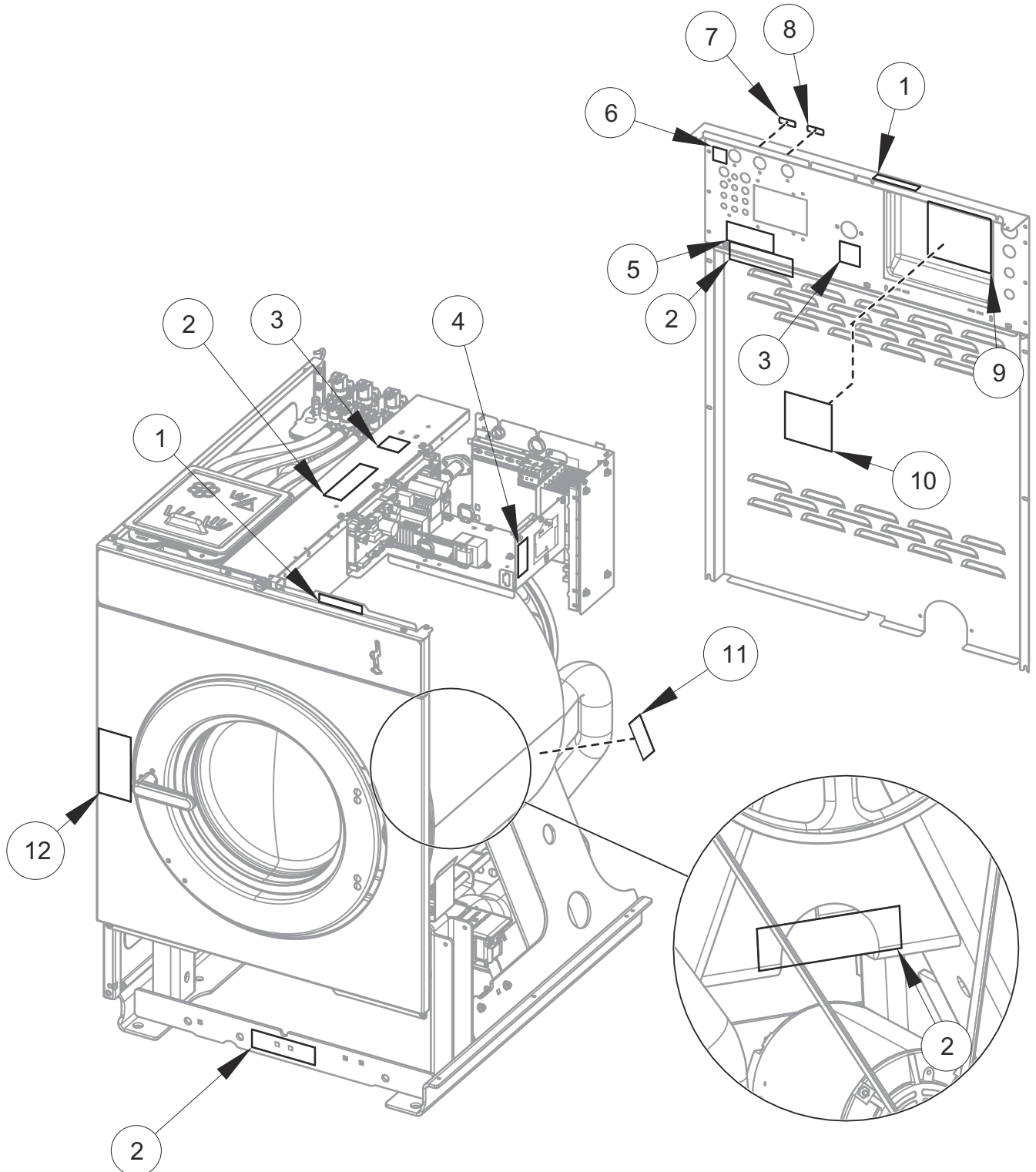
Quantum Gold Vend

CHM3490P_F8669101

Product Overview - Quantum Gold Vend

REF	PART NO.	DESCRIPTION	COMMENTS
1	-	Product Family	SC
2	-	Market Approvals	A (Australian IEC) D (Brazil IEC) G (International) H (China-ROHS IEC) J (Japan-PSE IEC) K (Korea IEC) L (Thailand-TISI IEC) T (North America) U (International CE/EAC IEC)
3	-	Capacity (Dry Weight in Pounds)	020 030 040 060
4	-	Control	N
5	-	Actuation	L (Central Pay) X (Prep for Coin) Y (Prep for Card) C (Single Coin) D (Dual Coin) E (Electronic Drop) T (Token) F (Single Coin + CD Lock and Key) P (FOB) Q (Dual Coin + CD Lock and Key) H (Electronic Drop + CD Lock and Key) V (Token + CD Lock and Key)
6	-	Coin Meter	0 (Standard) 1 (CD Lock and Key)
7	-	Speed	F (F-Speed) V (V-Speed)
8	-	Voltage	B (120/60/1) W (200-240/50/1/3) Y (200-240/60/1/3) X (200-240/50-60/1/3) Q (200-240/50-60/3) P (380-415/50-60/3) N (440-480/50-60/3)
9	-	Panel	B (Chrome Door) C (Chrome Door) U (Vinyl) 1 (Stainless Steel Side)
10	-	Design	4 6 7
11	-	Heat	0 (Standard) D (Steam) E (Electric Heat) P (Prep for Steam)
12	-	Features and Options	

Labels

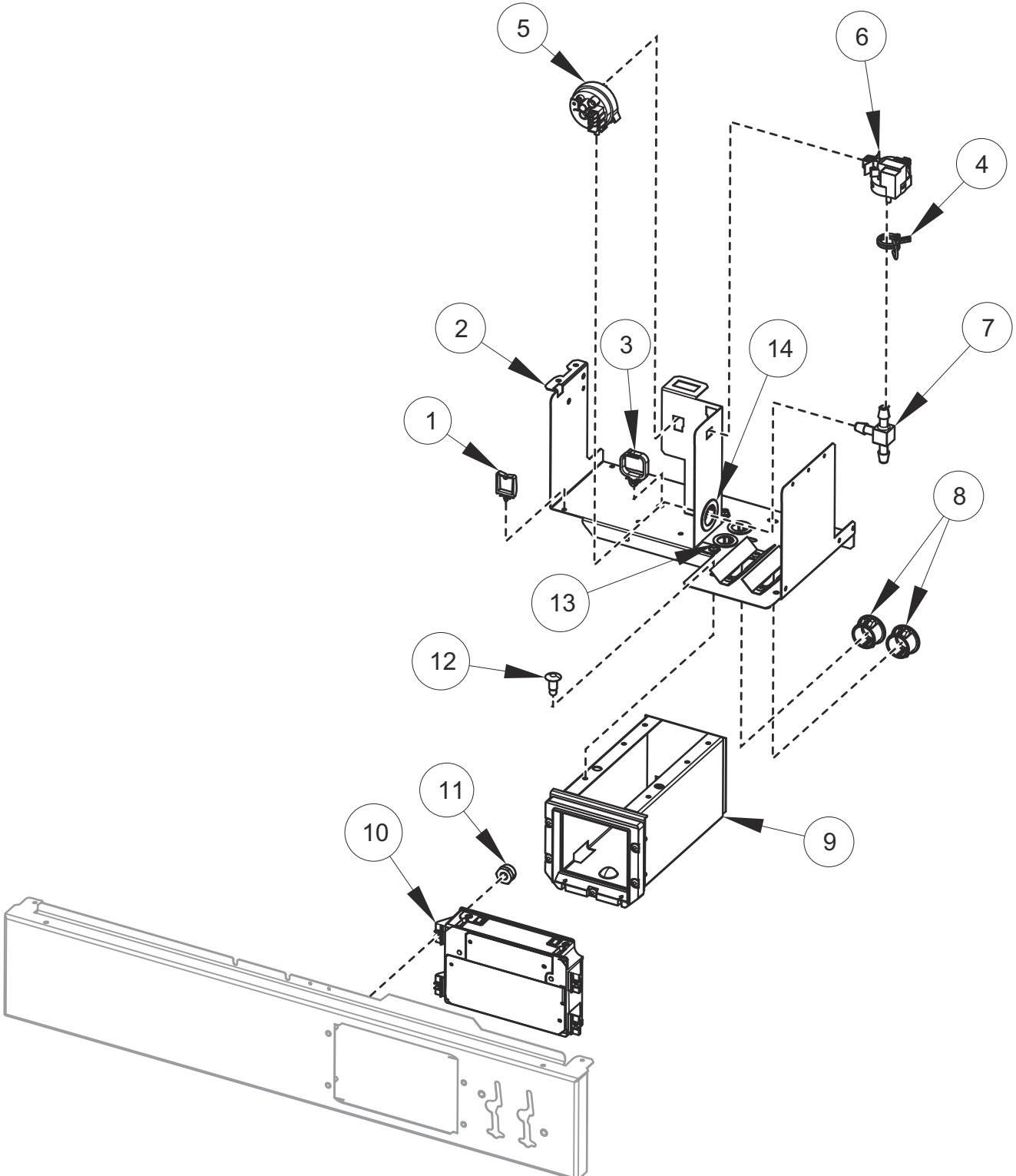


C-CHM2P27_F8669101

Labels

REF	PART NO.	DESCRIPTION	COMMENTS
1	F8614501	Danger Label	English/Quebec/French
2	44324001	Warning Label	Pinch/Shock; English/French
	F8614201	Shock Warning Label	Icon
	F8615701	Pinch Warning Label	Icon
3	F8614301	Hot Surface Warning Label	English/Quebec/French
	F8609001	Hot Surface Warning Label	Icon
4	F8601301	Label	Warning; Underground components
5	F8609401	Label	Notice; Chemical connection
6	203853	Label	ROHS (China)
7	F8611301	Label	Hot water; Icon
8	F8611401	Label	Cold water; Icon
9	F8611601	Warning Label	Warning; English/Quebec/French
10	F8602401	Label	Notice; Large expansion board
11	70538401	Pinch Warning Label	English/French
	F8615701	Pinch Warning Label	Icon
12	F8614801	Label	Warning fire/injury; English/Quebec/French

Control Module and Front Tray Assembly - Coin Models

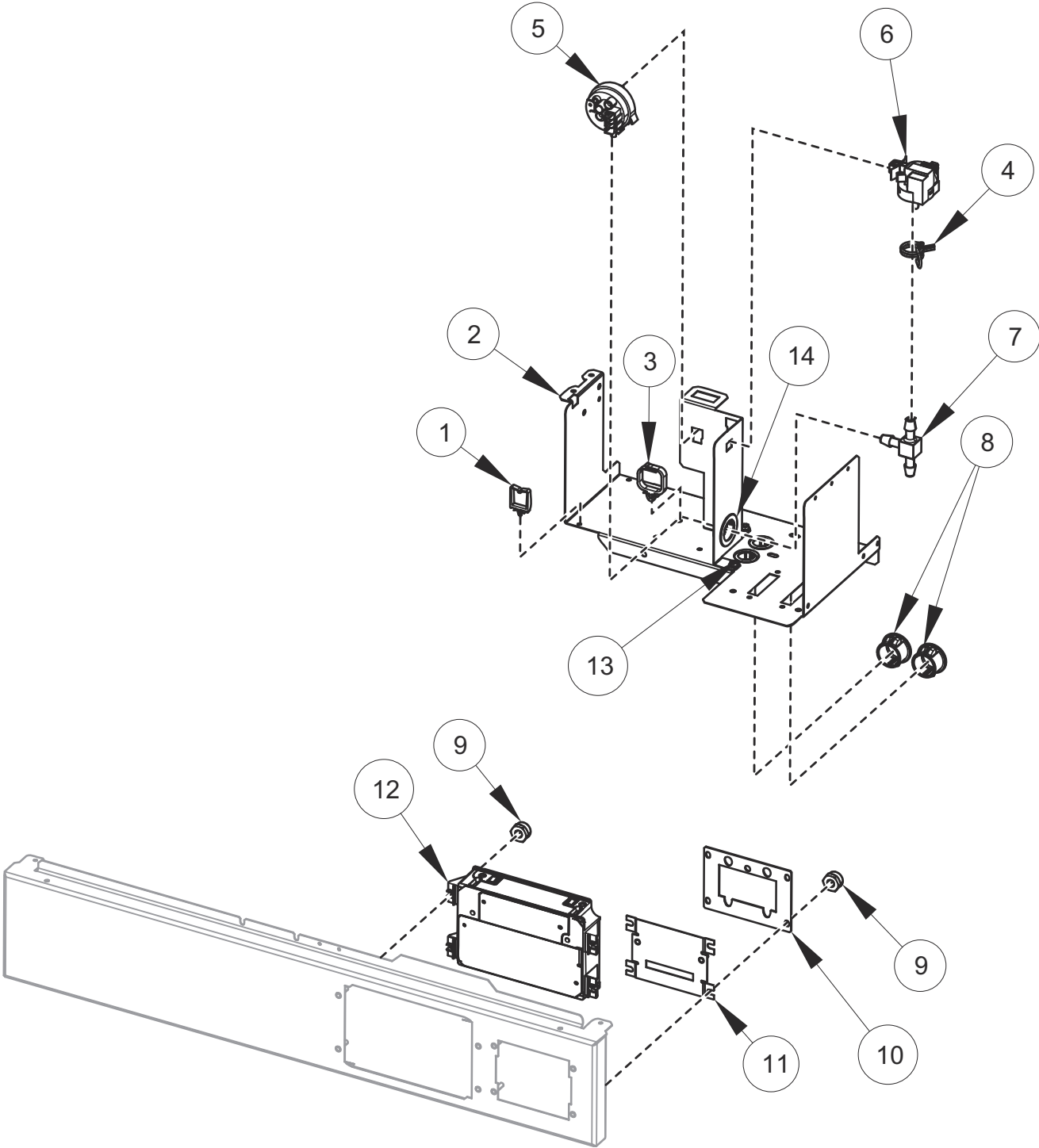


C-CHM5P1_F8669101

Control Module and Front Tray Assembly - Coin Models

REF	PART NO.	DESCRIPTION	COMMENTS
	44374701	App Pay Overlay Kit	
	203361P	Machine ID Control Assembly	
	F8567301	Front Tray Assembly	20 pound models; Includes items 1-3, 6, 8, 9, 12-14, 70413301 Pushbutton Switch and F8519701 Coin Vault Harness
	F8567304	Front Tray Assembly	20 pound models; Steam or electric heat; Includes items 1-9, 12-14, 70413301 Pushbutton Switch and F8519701 Coin Vault Harness
	F8567302	Front Tray Assembly	30 pound models; Includes items 1-3, 6, 8, 9, 12-14, 70413301 Pushbutton Switch and F8519701 Coin Vault Harness
	F8567305	Front Tray Assembly	30 pound models; Steam or electric heat; Includes items 1-9, 12-14, 70413301 Pushbutton Switch and F8519701 Coin Vault Harness
	F8567303	Front Tray Assembly	40 and 60 pound models; Includes items 1-3, 6, 8, 9, 12-14, 70413301 Pushbutton Switch and F8519701 Coin Vault Harness
	F8567306	Front Tray Assembly	40 and 60 pound models; Steam or electric heat; Includes items 1-9, 12-14, 70413301 Pushbutton Switch and F8519701 Coin Vault Harness
	F8519701	Coin Vault Harness	
	F8519301	Harness	Tray power harness
	F8519501	Harness	Communication; 20 and 30 pound models
	F8519502	Harness	Communication; 40 and 60 pound models
	F8519601	Harness	Coin access
	F8519403	Emergency Stop Bypass Harness	
1	70366201	Wire Clip	
2	F8531001	Front Tray Assembly	
3	F8449501	Wire Clip	
4	39282	Hose Clamp	
5	F8609101	Water Level Pressure Switch	Steam or electric heat
	F8405303	Tubing	Electric heat
6	F8623401	Pressure Sensor	
	F8405302	Tubing	
7	203464	Barbed Tee	Steam or electric heat
8	M411826	Snap Bushing	
9	F8529101	Coin Vault Assembly	
10	F8493901P	Control Assembly	
11	685846	Nut	
12	70058501	Pop Rivet	
13	F140938	Snap Bushing	
14	M402542	Snap Bushing	

Control Module and Front Tray Assembly - Card Reader and Central Pay Models

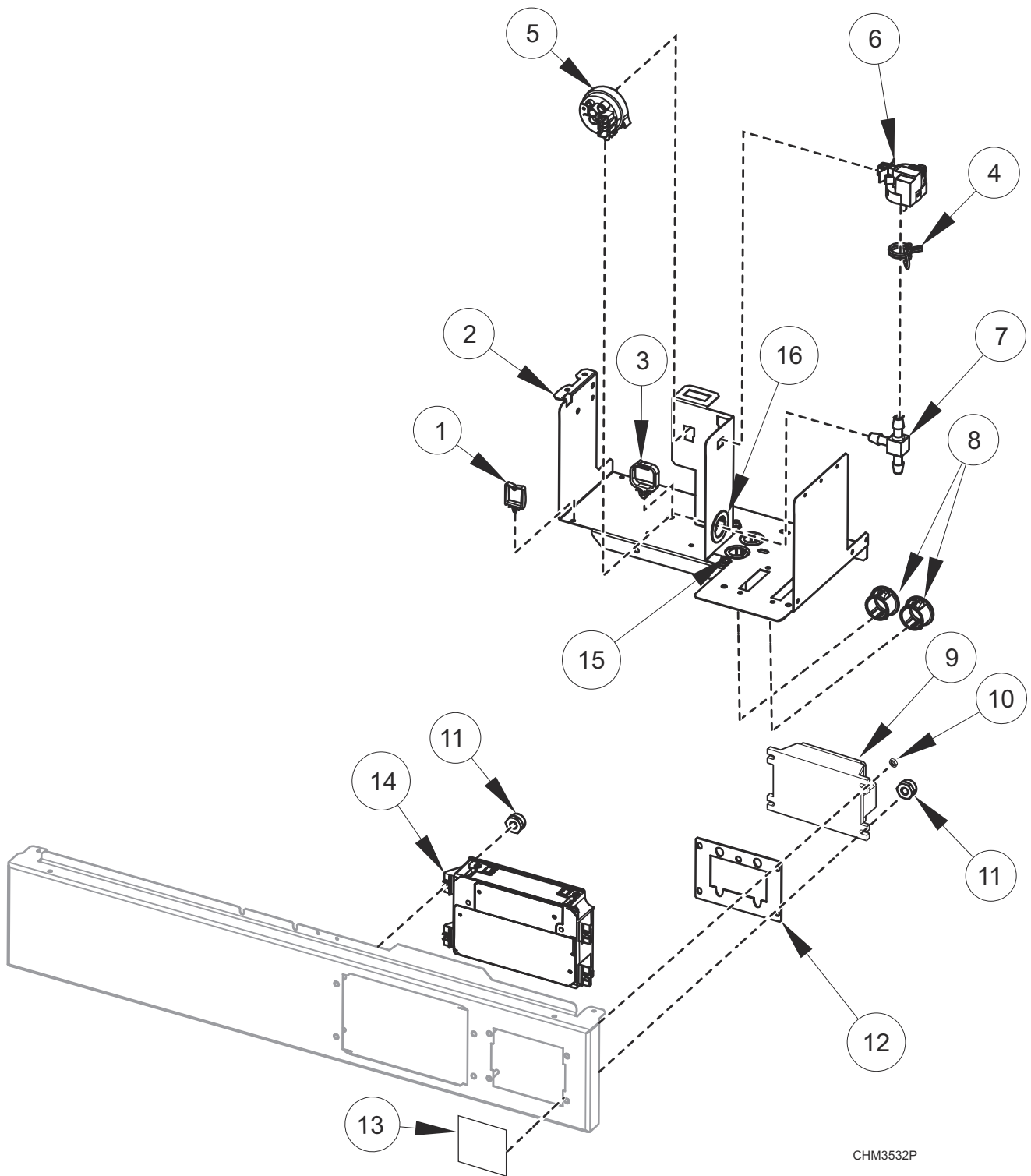


C-CHM5P3_F8669101

Control Module and Front Tray Assembly - Card Reader and Central Pay Models

REF	PART NO.	DESCRIPTION	COMMENTS
	44374701	App Pay Overlay Kit	
	203361P	Machine ID Control Assembly	
	F8567307	Front Tray Assembly	20 pound models; Includes items 1-3, 6, 8, 13, 14, 70413301 Pushbutton Switch
	F8567310	Front Tray Assembly	20 pound models; Steam or electric heat; Includes items 1-8, 13, 14, and 70413301 Pushbutton Switch
	F8567308	Front Tray Assembly	30 pound models; Includes items 1-3, 6, 8, 13, 14, 70413301 Pushbutton Switch
	F8567311	Front Tray Assembly	30 pound models; Steam or electric heat; Includes items 1-8, 13, 14, and 70413301 Pushbutton Switch
	F8567309	Front Tray Assembly	40 and 60 pound models; Includes items 1-3, 6, 8, 13, 14, 70413301 Pushbutton Switch
	F8567312	Front Tray Assembly	40 and 60 pound models; Steam or electric heat; Includes items 1-8, 13, 14, and 70413301 Pushbutton Switch
	44342801	Central Pay Harness	Models through December 2018
	F8519301	Harness	Tray power harness
	F8519501	Harness	Communication; 20 and 30 pound models
	F8519502	Harness	Communication; 40 and 60 pound models
	F8519702	Coin Vault Bypass Harness	
	F8519601	Harness	
	F8519403	Emergency Stop Bypass Harness	
	205068	Payment Center Kit	
	205067	Payment Center Kit	Includes printer
1	70366201	Wire Clip	
2	F8531001	Front Tray Assembly	
3	F8449501	Wire Clip	
4	39282	Hose Clamp	
5	F8609101	Water Level Pressure Switch	Steam or electric heat
	F8405303	Tubing	Electric heat
6	F8623401	Pressure Sensor	
	F8405302	Tubing	Electric heat
7	203464	Barbed Tee	Steam or electric heat
8	M411826	Snap Bushing	
9	685846	Nut	
10	70208801	Mounting Plate	
11	F8201501	Card Plate Assembly	
12	F8493901P	Control Assembly	
13	F140938	Snap Bushing	
14	M402542	Snap Bushing	

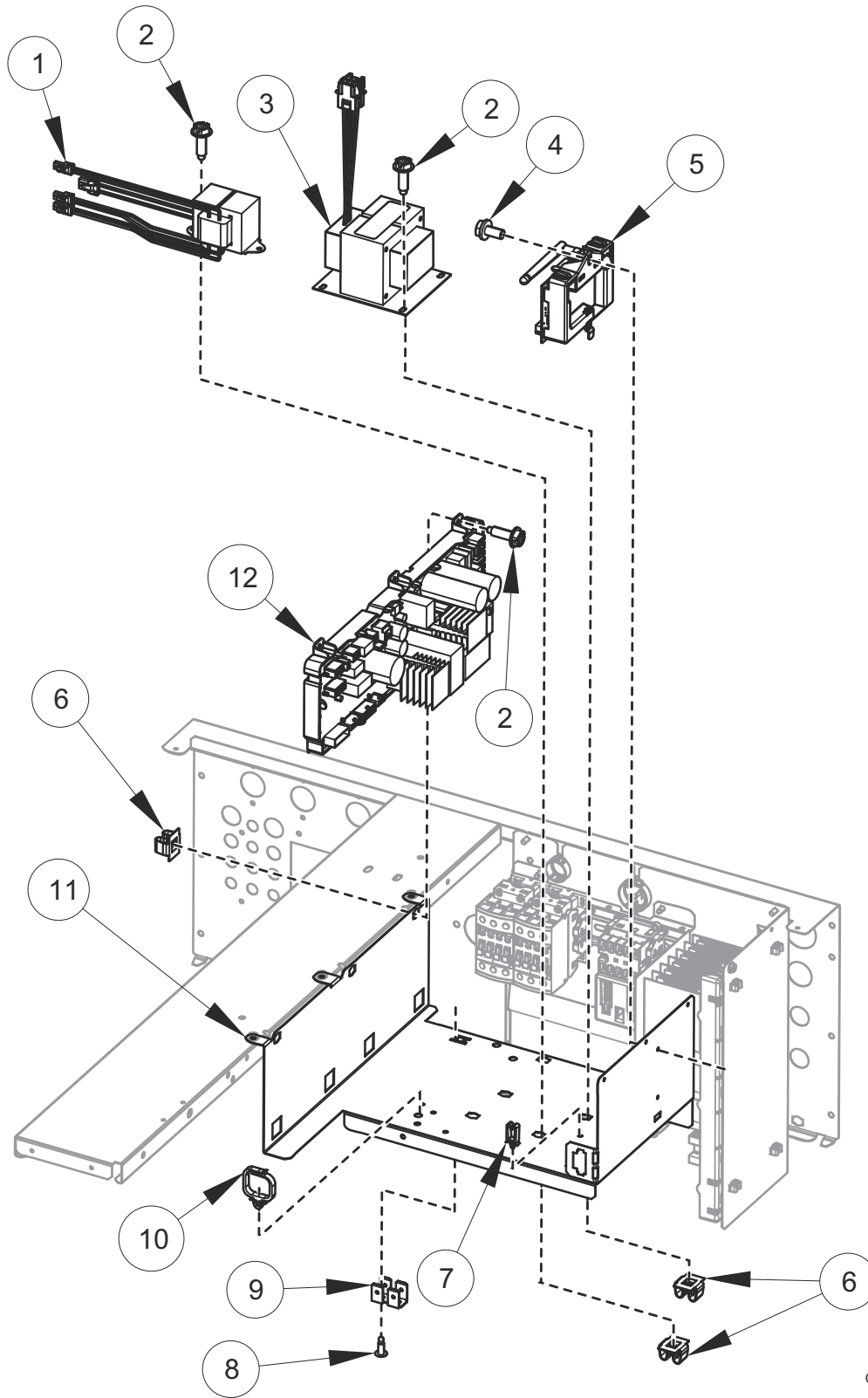
Control Module and Front Tray Assembly - FOB Models



Control Module and Front Tray Assembly - FOB Models

REF	PART NO.	DESCRIPTION	COMMENTS
	44374701	App Pay Overlay Kit	
	203361P	Machine ID Control Assembly	
	F8719301	Fob Communication Harness	
	F8567307	Front Tray Assembly	20 pound models; Includes items 1-3, 6, 8, 13, 14, 70413301 Pushbutton Switch
	F8567310	Front Tray Assembly	20 pound models; Steam or electric heat; Includes items 1-8, 13, 14, and 70413301 Pushbutton Switch
	F8567308	Front Tray Assembly	30 pound models; Includes items 1-3, 6, 8, 13, 14, 70413301 Pushbutton Switch
	F8567311	Front Tray Assembly	30 pound models; Steam or electric heat; Includes items 1-8, 13, 14, and 70413301 Pushbutton Switch
	F8567309	Front Tray Assembly	40 and 60 pound models; Includes items 1-3, 6, 8, 13, 14, 70413301 Pushbutton Switch
	F8567312	Front Tray Assembly	40 and 60 pound models; Steam or electric heat; Includes items 1-8, 13, 14, and 70413301 Pushbutton Switch
	44342801	Central Pay Harness	Models through December 2018
	F8519301	Harness	Tray power harness
	F8519501	Harness	Communication; 20 and 30 pound models
	F8519502	Harness	Communication; 40 and 60 pound models
	F8519702	Coin Vault Bypass Harness	
	F8519601	Harness	
	F8519403	Emergency Stop Bypass Harness	
	205068	Payment Center Kit	
	205067	Payment Center Kit	Includes printer
1	70366201	Wire Clip	
2	F8531001	Front Tray Assembly	
3	F8449501	Wire Clip	
4	39282	Hose Clamp	
5	F8609101	Water Level Pressure Switch	Steam or electric heat
	F8405303	Tubing	Electric heat
6	F8623401	Pressure Sensor	
	F8405302	Tubing	Electric heat
7	203464	Barbed Tee	Steam or electric heat
8	M411826	Snap Bushing	
9	70054	Nut	
10	205135	Fob Reader Control Assembly	
11	685846	Nut	
12	70208801	Mounting Plate	
13	F8201501	Card Plate Assembly	
14	F8733901	Overlay	
15	F8493901P	Control Assembly	
16	F140938	Snap Bushing	
17	M402542	Snap Bushing	

Control Tray Assembly

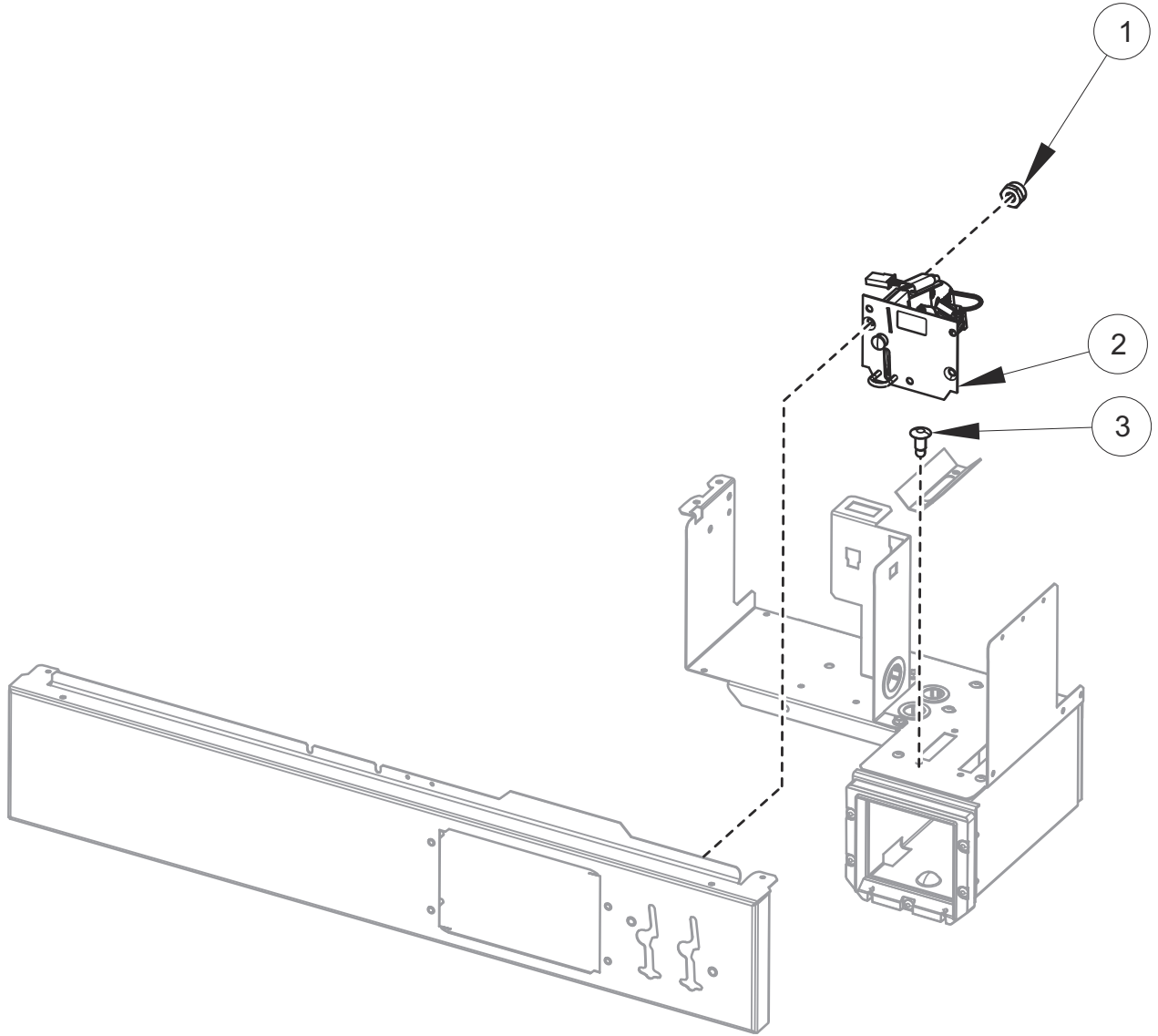


C-CHM5P2_F8669101

Control Tray Assembly

REF	PART NO.	DESCRIPTION	COMMENTS
	F8520403	Wireless Harness	20 and 30 pound models through April 2019
	F8674003	Wireless Harness	20 and 30 pound models starting May 2019
	F8520404	Wireless Harness	40 and 60 pound models through April 2019
	F8674004	Wireless Harness	40 and 60 pound models starting May 2019
	F8662401	Wireless Kit	20 and 30 pound models through April 2019; Includes items 4, 5, F8520403 Wireless Harness and labels
	F8676001	Wireless Kit	20 and 30 pound models starting May 2019; Includes items 4, 5, F8674003 Wireless Harness and labels
	F8662402	Wireless Kit	40 and 60 pound models through April 2019; Includes items 4, 5, F8520404 Wireless Harness and labels
	F8676101	Wireless Kit	40 and 60 pound models starting May 2019; Includes items 4, 5, F8674004 Wireless Harness and labels
	NK330	USB Gateway Kit	Wireless; Models through April 2019
	NK320	Ethernet Gateway Kit	Wireless; Models through April 2019
	204145P	Gateway	Models starting May 2019
	205223P	Gateway	
	205391P	Gateway	
1	202757	Transformer	B voltage with external supply
	202758	Transformer	N, P, Q, W, X and Y voltage with external supply
2	F8206901	Screw	
3	F8491101	Transformer	N and P voltage
4	430497	Screw	
5	203532	Wireless Network Control Assembly	Models through April 2019
	807211	Wireless Network Control Assembly	Models starting May 2019
6	70030501	Expansion Clip	
7	70347601	Wire Clip	External supply
8	M400003	Pop Rivet	
9	00622SG	Terminal	
10	F8449501	Wire Clip	
11	F8530701	Control Tray	
12	F8494101P	Input and Output Control Assembly	

Flush Mount Coin Meter Assembly - Single Drop

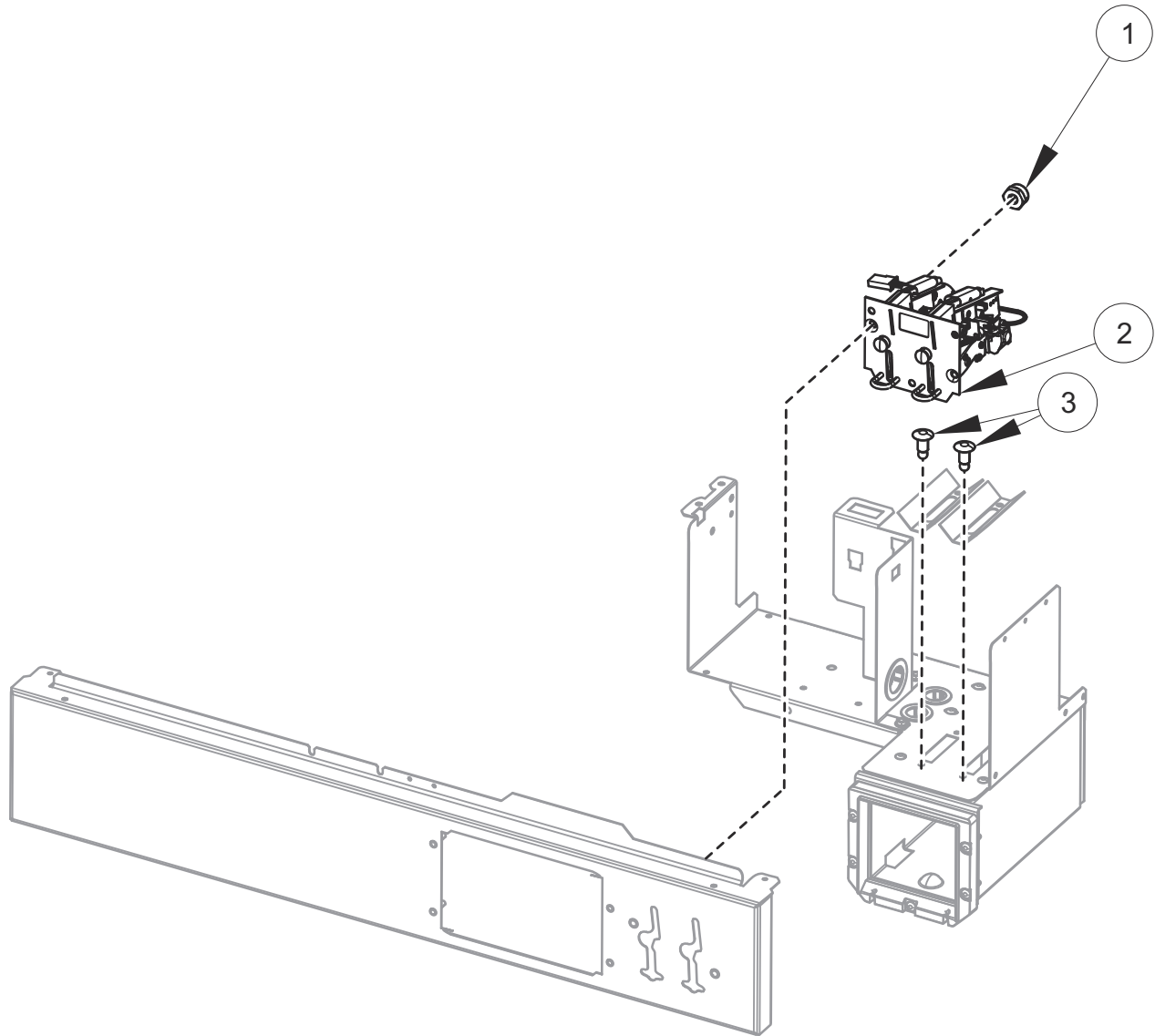


C-CHM6P7_F8669101

Flush Mount Coin Meter Assembly - Single Drop

REF	PART NO.	DESCRIPTION	COMMENTS
	44374701	App Pay Overlay Kit	
	38725	Coin Identification Paper	
	200674P	Opto Coupler	
1	685846	Nut	
2	70441601P	Coin Drop	U.S.A.; \$.25
	38475	Coin Drop Assembly	Japan; 100 yen
	38464P	Coin Drop Assembly	Canada; .25
	CK077	Coin Drop Kit	Taiwan; 10 NT
	70506901	Coin Drop Assembly	Singapore; \$1.00 NEW
	38462P	Coin Drop Assembly	Token; STD 118-1
	38463	Coin Drop Assembly	Token; STD 118-5
	38963P	Coin Drop	Token STD 118-16
	39748	Coin Drop	Jeton 08MS
	201141	Coin Drop Assembly	Token; Jeton wh121
	70471601	Coin Drop Assembly	Token; 7K
3	70058501	Pop Rivet	

Flush Mount Coin Meter Assembly - Dual Drop

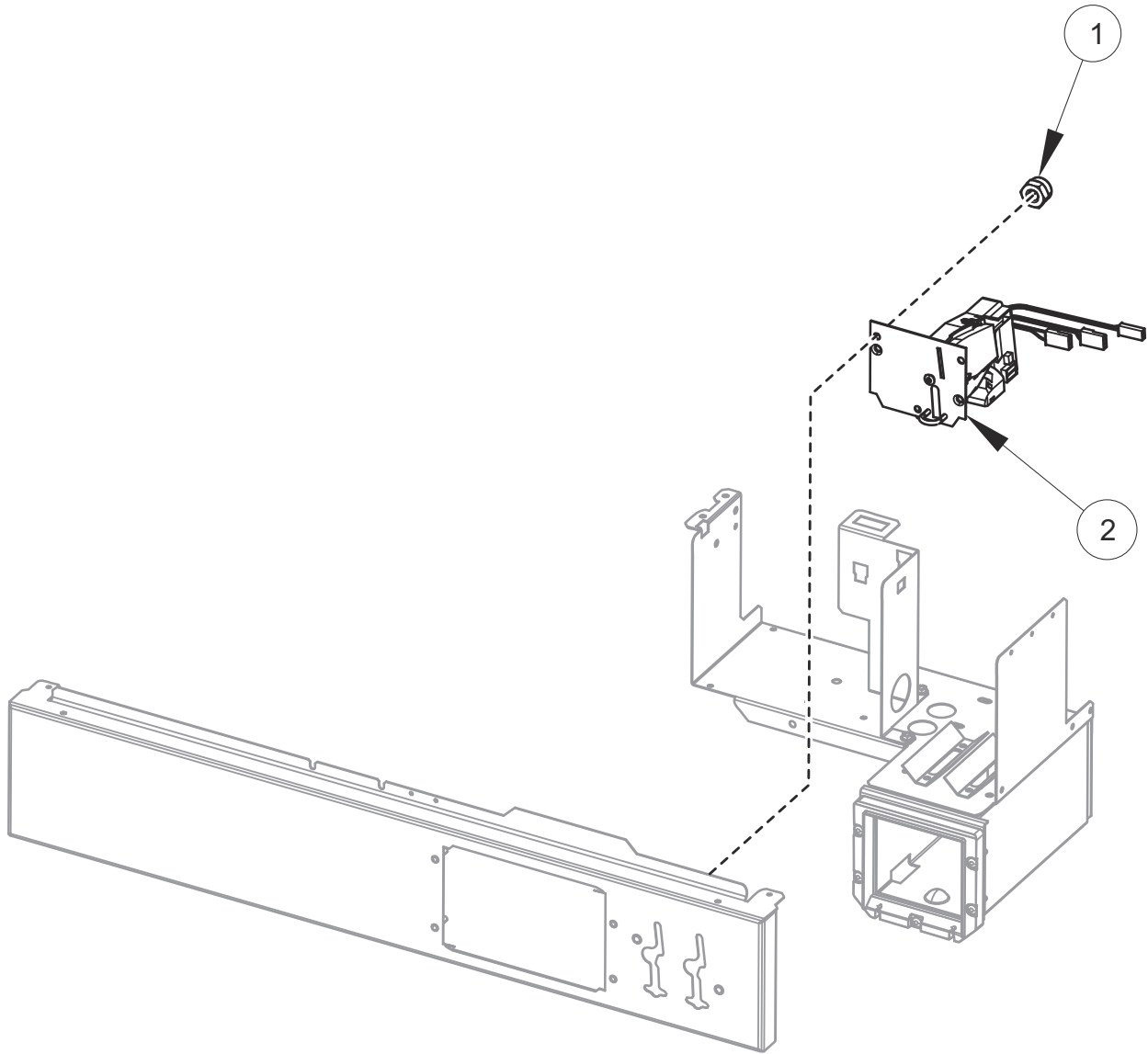


C-CHM6P8_F8669101

Flush Mount Coin Meter Assembly - Dual Drop

REF	PART NO.	DESCRIPTION	COMMENTS
	44374701	App Pay Overlay Kit	
	38725	Coin Identification Paper	
	200674P	Opto Coupler	
1	685846	Nut	
2	70441603	Coin Drop	U.S.A.; \$.25 and \$1.00
	38519	Coin Drop Assembly	Japan; 100 yen and 500 yen
	70441602	Coin Drop Assembly	Canada; \$.25 and \$1.00
	38467	Coin Drop Assembly	Australia; \$0.20 and \$1.00
	70447301	Coin Drop Assembly	Australia; \$1.00 and \$2.00
	70283102	Coin Drop Assembly	0.20 and 0.50 Euro
	210195	Coin Drop Assembly	0.20 and 1.00 Euro
	210196	Coin Drop Assembly	0.50 and 1.00 Euro
	F0160737-00	Coin Meter	0.50 and 2.00 Euro
	70281102	Coin Drop Assembly	Taiwan; 10 and 50 NT
	70482401	Coin Drop Assembly	New Zealand; \$1.00 and \$2.00
	CK503	Coin Drop Kit	U.S.A. and Canada; \$.25 and \$1.00
3	70058501	Pop Rivet	

Electronic Coin Meter Assembly

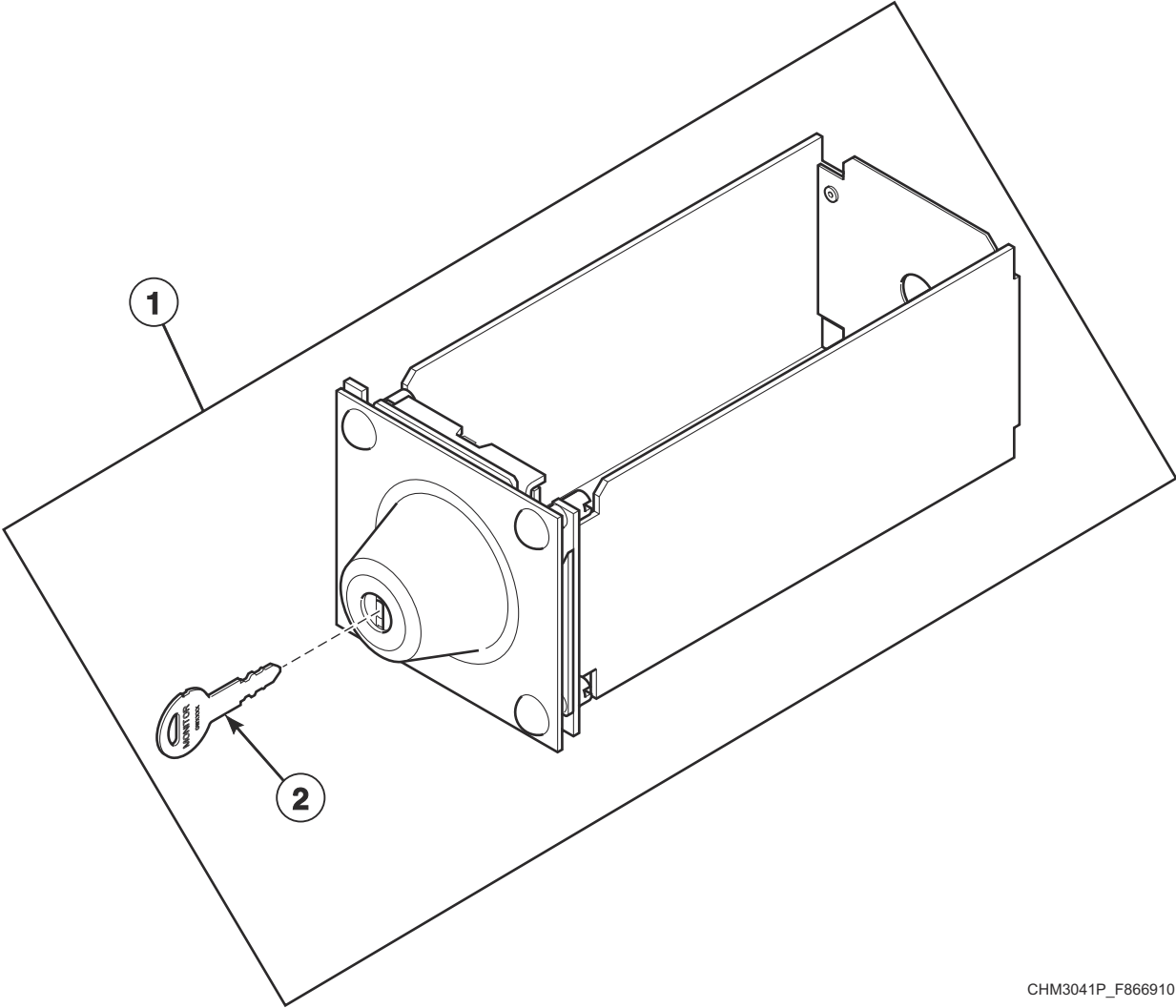


C-CHM6P6_F8669101

Electronic Coin Meter Assembly

REF	PART NO.	DESCRIPTION	COMMENTS
	44374701	App Pay Overlay Kit	
	38725	Coin Identification Paper	
	CK500	Electronic Coin Drop Kit	For use when installing Electronic Coin Drop Kits
	F8034701P	Pulse Expander Assembly	
1	F430215	Nut	
2	70513302	Electronic Coin Drop Assembly	Euro and Great Britain coins
	70513310	Electronic Coin Drop Assembly	Japan and Thailand coins
	70513304	Electronic Coin Drop Assembly	Australia, New Zealand, Hong Kong and South Korea coins
	70513303	Electronic Coin Drop Assembly	Denmark, Norway and Euro coins
	70513306	Electronic Coin Drop Assembly	Mexico, Ecuador and U.S.A. coins
	70294107	Electronic Coin Drop Assembly	Lithuania, Latvia and Euro coins
	70513311	Electronic Coin Drop Assembly	Chiand Malaysia coins
	70513308	Electronic Coin Drop Assembly	South African 1 and 5 rand coins
	70513309	Electronic Coin Drop Assembly	Euro coins
	70513312	Electronic Coin Drop Assembly	Russia coins
	70513313	Electronic Coin Drop Assembly	Philippines coins
	70513314	Electronic Coin Drop Assembly	Thailand coins
	70513315	Electronic Coin Drop Assembly	Chile coins
	70513316	Electronic Coin Drop Assembly	Singapore coins
	CK115	Electronic Coin Drop Kit	United States and Canada; Includes 38725 Coin Identification Paper
	CK099	Electronic Coin Drop Kit	Australia (default), New Zealand, Hong Kong, South Korea and Malaysia; Includes 38725 Coin Identification Paper
	CK100	Electronic Coin Drop Kit	United Kingdom (default) and Europe; Includes 38725 Coin Identification Paper
	CK101	Electronic Coin Drop Kit	Europe (default), Denmark and Norway; Includes 38725 Coin Identification Paper
	CK108	Electronic Coin Drop Kit	South Africa; Includes 38725 Coin Identification Paper
	CK109	Electronic Coin Drop Kit	Euro; Includes 38725 Coin Identification Paper
	CK110	Electronic Coin Drop Kit	Mexico (default), Ecuador and United States; Includes 38725 Coin Identification Paper
	CK113	Electronic Coin Drop Kit	Japan and Taiwan; Includes 38725 Coin Identification Paper
	CK116	Electronic Coin Drop Kit	Malaysia (default) and China; Includes 38725 Coin Identification Paper
	CK117	Electronic Coin Drop Kit	Russia; Includes 38725 Coin Identification Paper
	CK118	Electronic Coin Drop Kit	Philippine; Includes 38725 Coin Identification Paper
	CK119	Electronic Coin Drop Kit	Thailand; Includes 38725 Coin Identification Paper
	CK120	Electronic Coin Drop Kit	Chile; Includes 38725 Coin Identification Paper
	CK121	Electronic Coin Drop Kit	Singapore; Includes 38725 Coin Identification Paper
	CK122	Coin Drop Kit	New Zealand; 1.00 and 2.00; Includes 38725 Coin Identification Paper

Optional Coin Box

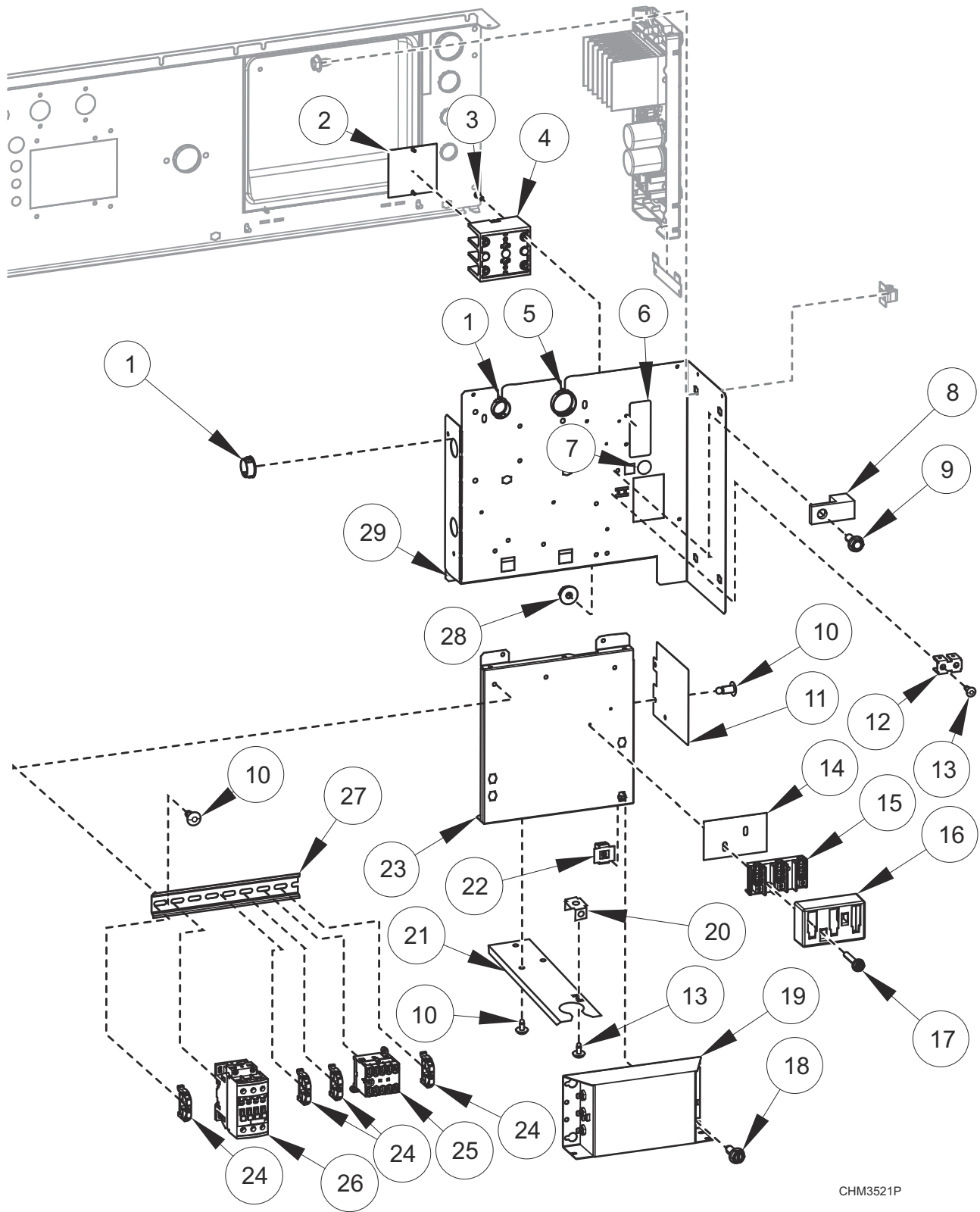


CHM3041P_F8669101

Optional Coin Box

REF	PART NO.	DESCRIPTION	COMMENTS
1	F8182001	Coin Drawer Assembly	
2	F160420	Key	GW0023

Inverter Drive Box - 20 and 30 Pound Models with B Voltage

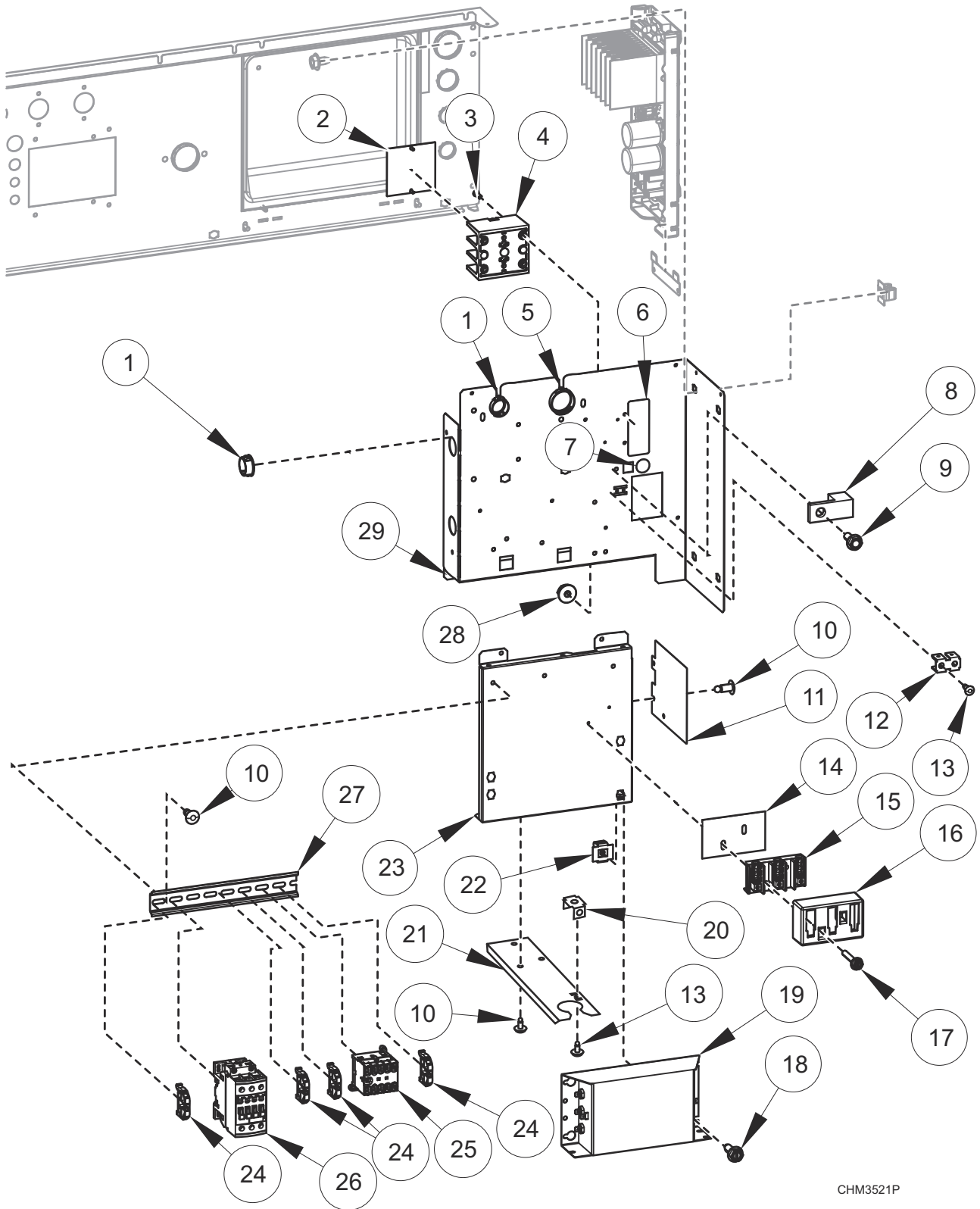


CHM3521P

Inverter Drive Box - 20 and 30 Pound Models with B Voltage

REF	PART NO.	DESCRIPTION	COMMENTS
	F8567001	Drive Panel Base Assembly	Includes items 10-13, 21, 25 and 27
	F8662801	Filter Kit	Includes items 1, 14-20, harnesses and labels
	F8518405	Harness	Power TB1
	F8518604	Harness	Power drive
	F8528001	Harness	TB filter
	F8528002	Harness	PDB filter; Electric heat
	F8528004	Harness	TB Filter
	F8528006	Harness	TB2 Filter
	F8619101	Power Harness	Power contactor; Electric heat
	F8619102	Harness	Power contactor; Electric heat
1	F140938	Snap Bushing	
2	44014901P	Power Distribution Block Cover	Electric heat
3	39733	Screw	Electric heat
4	M413865	Power Distribution Block	Electric heat
5	70346501	Bushing	
6	44286801	Label	Power input; L1, N
7	D516100	Label	
8	M411283	Ground Lug Connector	
9	685837	Screw	
10	70058501	Pop Rivet	
11	F8616901	Drive Shield	
12	00622SG	Terminal	
13	M400003	Pop Rivet	
14	M413862	Insulator	
15	430642	Terminal Block	
16	70333001	Terminal Block Shield	
17	51783	Screw	
18	F8206901	Screw	
19	F8591601	EMI Filter	
20	00621SG	Male Tab Terminal	IEC models
21	F8744301	Harness Support Bracket	IEC models
22	70030501	Expansion Clip	
23	F8530901	Contactory Tray	
24	F8449801	End Stop	
25	70482601	Contactory	5.5kW/500V; 24VDC
26	70482701	Contactory	50A; 24VDC
27	M412689	DIN Rail	7.5 mm x 35 mm x 8.364 inch
28	44088001	Nut	
29	F8530801	Drive Terminal Tray	

Inverter Drive Box - 20 and 30 Pound Models with N, P, Q, W, X and Y Voltage

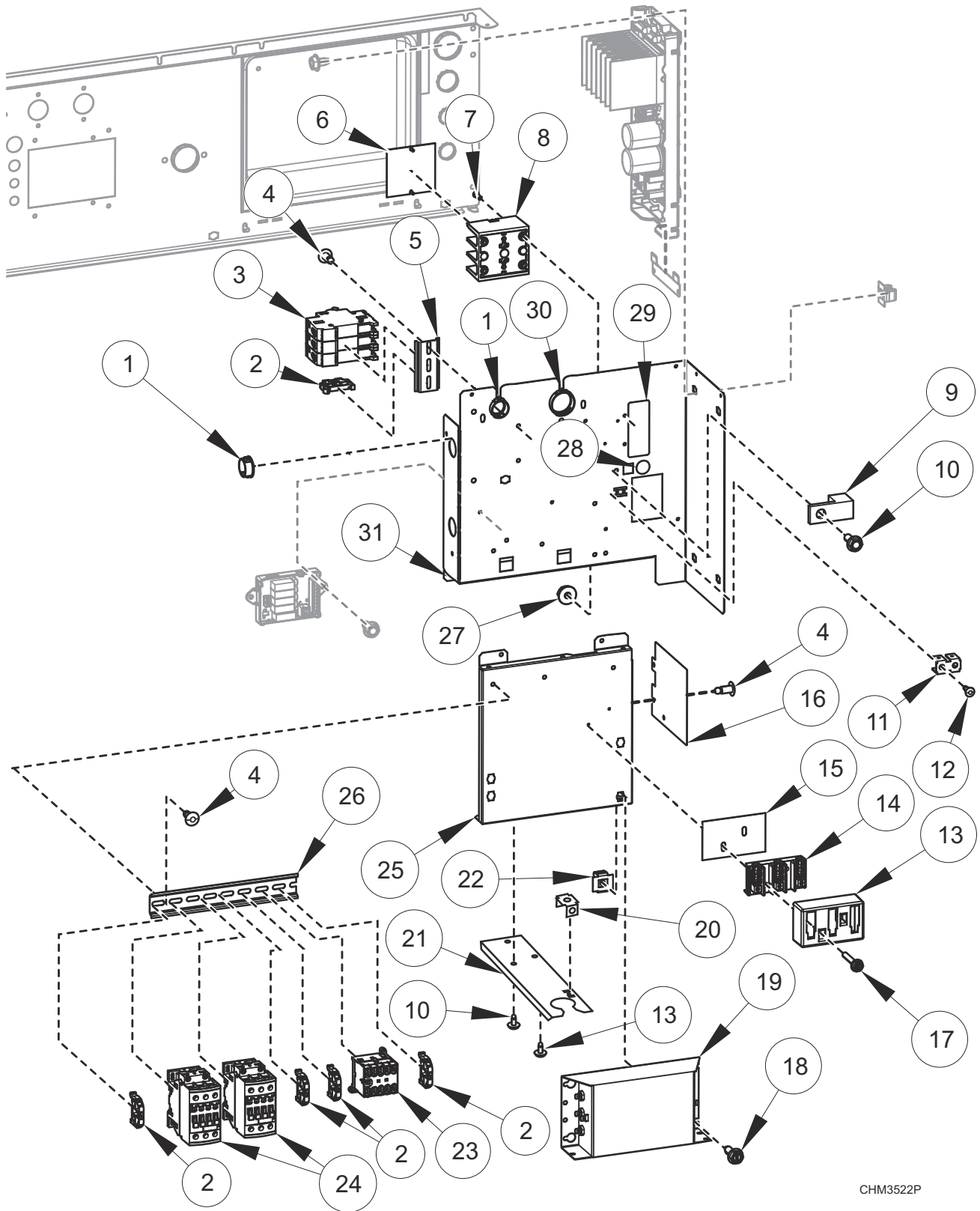


CHM3521P

Inverter Drive Box - 20 and 30 Pound Models with N, P, Q, W, X and Y Voltage

REF	PART NO.	DESCRIPTION	COMMENTS
	F8567001	Drive Panel Base Assembly	Includes items 10-13, 21, 25 and 27
	F8518401	Harness	Power TB1; W, X and Y voltage
	F8518501	Harness	Power TB1; N and P voltage
	F8518502	Harness	Power PDB; N and P voltage; Electric heat
	F8518402	Harness	Power PDB; Q voltage; Electric heat
	F8518404	Harness	Power filter; Q, W, X, and Y voltage
	F8518504	Harness	Power filter; N and P voltage
	F8518605	Harness	Power drive; Q, W, X, and Y voltage
	F8518606	Harness	Power drive; N and P voltage
	F8528001	Harness	TB filter
	F8528002	Harness	PDB filter; Electric heat
	F8528005	Harness	TB2 Filter; N, P, Q, W, X, and Y voltage
	F8619101	Power Harness	Power contactor; Electric heat
	F8619102	Harness	Power contactor; Electric heat
	F8662809	Filter Kit	Includes items 1, 14-20, harnesses and labels; Q voltage; Electric heat
	F8662810	Filter Kit	Includes items 1, 14-20, harnesses and labels; N and P voltage; Electric heat
	F8662803	Filter Kit	Includes items 1, 14-20, harnesses and labels; W, X and Y voltage
	F8662805	Filter Kit	Includes items 1, 14-20, harnesses and labels; N and P voltage
1	F140938	Snap Bushing	
2	44014901P	Power Distribution Block Cover	Electric heat
3	39733	Screw	Electric heat
4	M413865	Power Distribution Block	Electric heat
5	70346501	Bushing	
6	44286803	Label	Power input; L1, L2, L3; N and P voltage
	44286804	Wire Label	Power input; L1, L2/N; L1, L2, L3; W, X and Y voltage
7	D516100	Label	
8	M411283	Ground Lug Connector	
9	685837	Screw	
10	70058501	Pop Rivet	
11	F8616901	Drive Shield	
12	00622SG	Terminal	
13	M400003	Pop Rivet	
14	M413862	Insulator	
15	430642	Terminal Block	
16	70333001	Terminal Block Shield	
17	51783	Screw	
18	F8206901	Screw	
19	F8591801	EMI Filter	
	F8637501	EMI Filter	
20	00621SG	Male Tab Terminal	IEC models
21	F8744301	Harness Support Bracket	IEC models
22	70030501	Expansion Clip	
23	F8530901	Contactory Tray	
24	F8449801	End Stop	
25	70482601	Contactory	5.5kW/500V; 24VDC
26	70482701	Contactory	50A; 24VDC
27	M412689	DIN Rail	7.5 mm x 35 mm x 8.364 inch
28	44088001	Nut	
29	F8530801	Drive Terminal Tray	

Inverter Drive Box - 40 Pound Models with B Voltage

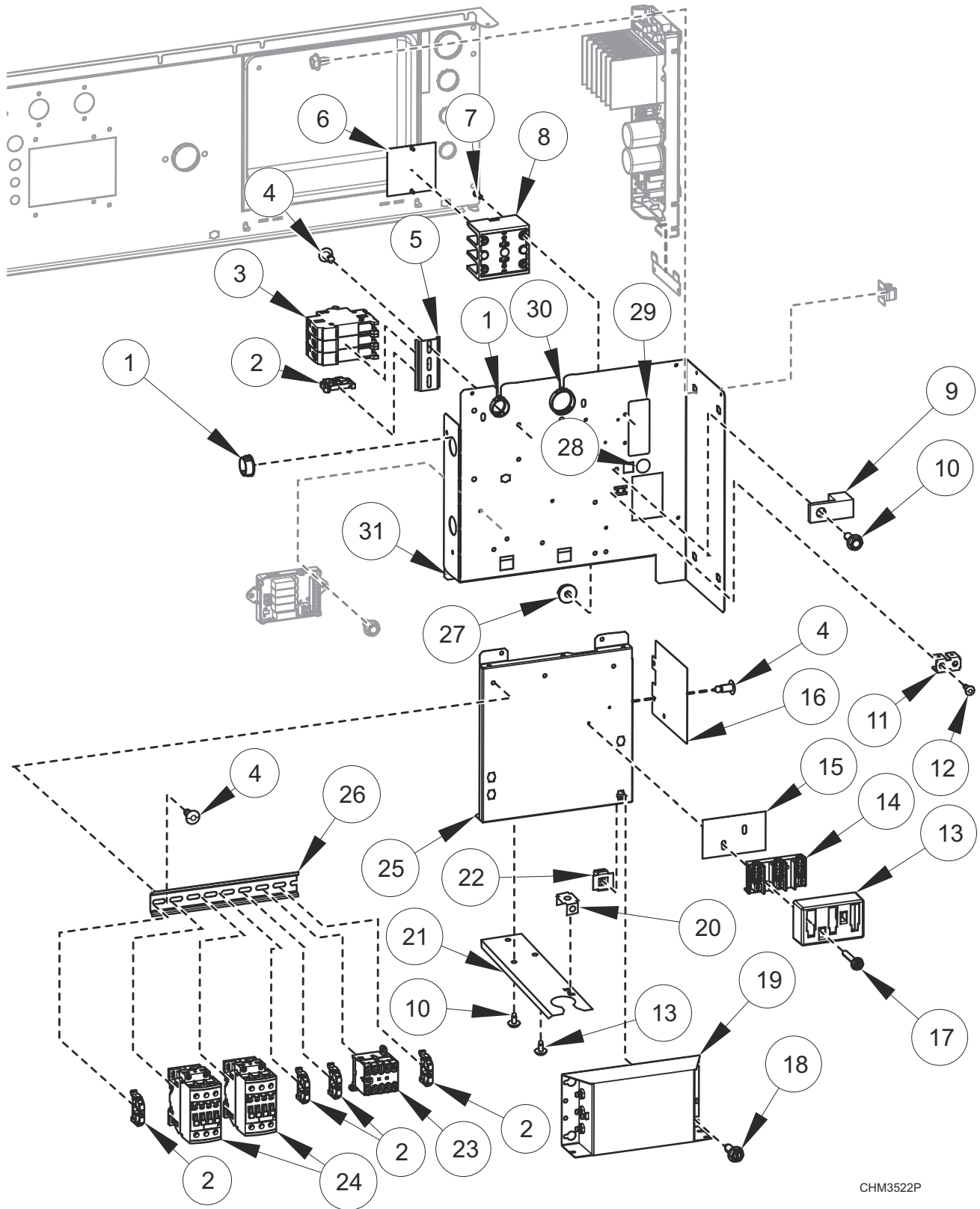


CHM3522P

Inverter Drive Box - 40 Pound Models with B Voltage

REF	PART NO.	DESCRIPTION	COMMENTS
	F8567001	Drive Panel Base Assembly	Includes items 4, 11, 12, 16, 23, 24 and 29
	F8567002	Drive Panel Base Assembly	Electric heat; Includes items 4, 5, 11, 12, 16, 23, 24 and 29
	F8583501	Jumper	Circuit breaker jumper; Electric heat
	F8518405	Harness	Power TB1
	F8518604	Harness	Power drive
	F8528001	Harness	TB filter
	F8528003	Harness	CB filter; Electric heat
	F8528004	Harness	TB filter
	F8528006	Harness	TB2 filter
	F8619101	Power Harness	Power contactor; Electric heat
	F8619102	Harness	Power contactor; Electric heat
	F8662802	Filter Kit	Includes items 1, 14, 15, 17-20, harnesses and labels; B voltage
1	F140938	Snap Bushing	
2	F8449801	End Stop	
3	70488101	Circuit Breaker	3P; 25A; Electric heat
4	70058501	Pop Rivet	
5	B12315401	DIN Rail	7.5 mm x 35 mm x 72 mm; Electric heat
6	44014901P	Power Distribution Block Cover	Electric heat
7	39733	Screw	Electric heat
8	M413865	Power Distribution Block	Electric heat
9	M411283	Ground Lug Connector	
10	685837	Screw	
11	00622SG	Terminal	
12	M400003	Pop Rivet	
13	70333001	Terminal Block Shield	
14	430642	Terminal Block	
15	M413862	Insulator	
16	F8616901	Drive Shield	
17	51783	Screw	
18	F8206901	Screw	
19	F8591601	EMI Filter	
20	00621SG	Male Tab Terminal	IEC models
21	F8744301	Harness Support Bracket	IEC models
22	70030501	Expansion Clip	
23	70482601	Contactors	5.5kW/500V; 24VDC; Electric heat
24	70482701	Contactors	50A; 24VDC
25	F8530901	Contactors Tray	
26	M412689	DIN Rail	7.5 mm x 35 mm x 8.364 inch
27	44088001	Nut	
28	D516100	Label	
29	44286801	Label	Power input; L1, N
30	70346501	Bushing	
31	F8530801	Drive Terminal Tray	

Inverter Drive Box - 40 Pound Models with N, P, Q, W, X and Y Voltage

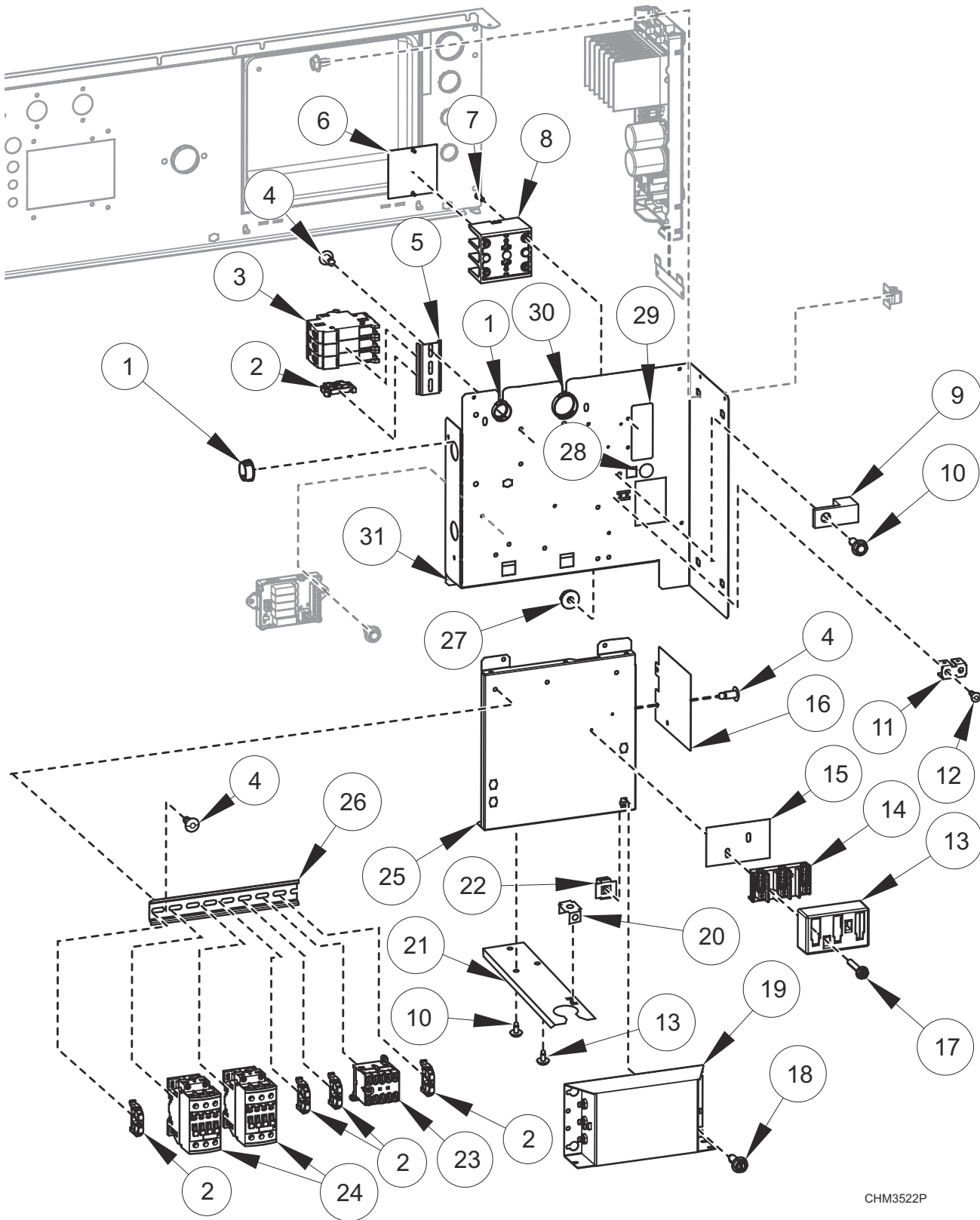


CHM3522P

Inverter Drive Box - 40 Pound Models with N, P, Q, W, X and Y Voltage

REF	PART NO.	DESCRIPTION	COMMENTS
	F8567001	Drive Panel Base Assembly	Includes items 4, 11, 12, 16, 23, 24 and 29
	F8567002	Drive Panel Base Assembly	Electric heat; Includes items 4, 5, 11, 12, 16, 23, 24 and 29
	F8583501	Jumper	Circuit breaker jumper; Electric heat
	F8518401	Harness	Power TB1; W, X and Y voltage
	F8518501	Harness	Power TB1; N and P voltage
	F8518504	Harness	Power filter; N and P voltage
	F8518605	Harness	Power drive; Q, W, X, and Y voltage
	F8518606	Harness	Power drive; N and P voltage
	F8528001	Harness	TB filter
	F8528003	Harness	CB filter; Electric heat
	F8528005	Harness	TB2 Filter; N, P, Q, W, X, and Y voltage
	F8518503	Harness	Power CB; N and P voltage; Electric heat
	F8518403	Harness	Power CB; Q voltage; Electric heat
	F8619101	Power Harness	Power contactor; Electric heat
	F8619102	Harness	Power contactor; Electric heat
	F8662811	Filter Kit	Includes items 1, 14, 15, 17-20, harnesses and labels; Q voltage; Electric heat
	F8662812	Filter Kit	Includes items 1, 14, 15, 17-20, harnesses and labels; N and P voltage; Electric heat
	F8662804	Filter Kit	Includes items 1, 14, 15, 17-20, harnesses and labels; W, X and Y voltage
	F8662806	Filter Kit	Includes items 1, 14, 15, 17-20, harnesses and labels; N and P voltage
1	F140938	Snap Bushing	
2	F8449801	End Stop	
3	70488101	Circuit Breaker	3P; 25A; Electric heat
4	70058501	Pop Rivet	
5	B12315401	DIN Rail	7.5 mm x 35 mm x 72 mm; Electric heat
6	44014901P	Power Distribution Block Cover	Electric heat
7	39733	Screw	Electric heat
8	M413865	Power Distribution Block	Electric heat
9	M411283	Ground Lug Connector	
10	685837	Screw	
11	00622SG	Terminal	
12	M400003	Pop Rivet	
13	70333001	Terminal Block Shield	
14	430642	Terminal Block	
15	M413862	Insulator	
16	F8616901	Drive Shield	
17	51783	Screw	
18	F8206901	Screw	
19	F8591801	EMI Filter	Q, W, X and Y voltage
	F8637501	EMI Filter	N and P voltage
20	00621SG	Male Tab Terminal	IEC models
21	F8744301	Harness Support Bracket	IEC models
22	70030501	Expansion Clip	
23	70482601	Contactors	5.5kW/500V; 24VDC; Electric heat
24	70482701	Contactors	50A; 24VDC
25	F8530901	Contactors Tray	
26	M412689	DIN Rail	7.5 mm x 35 mm x 8.364 inch
27	44088001	Nut	
28	D516100	Label	
29	44286803	Label	Power input; L1, L2, L3; N and P voltage
	44286804	Wire Label	Power input; L1, L2/N; L1, L2, L3; W, X and Y voltage
30	70346501	Bushing	
31	F8530801	Drive Terminal Tray	

Inverter Drive Box - 60 Pound Models with Q and X Voltage

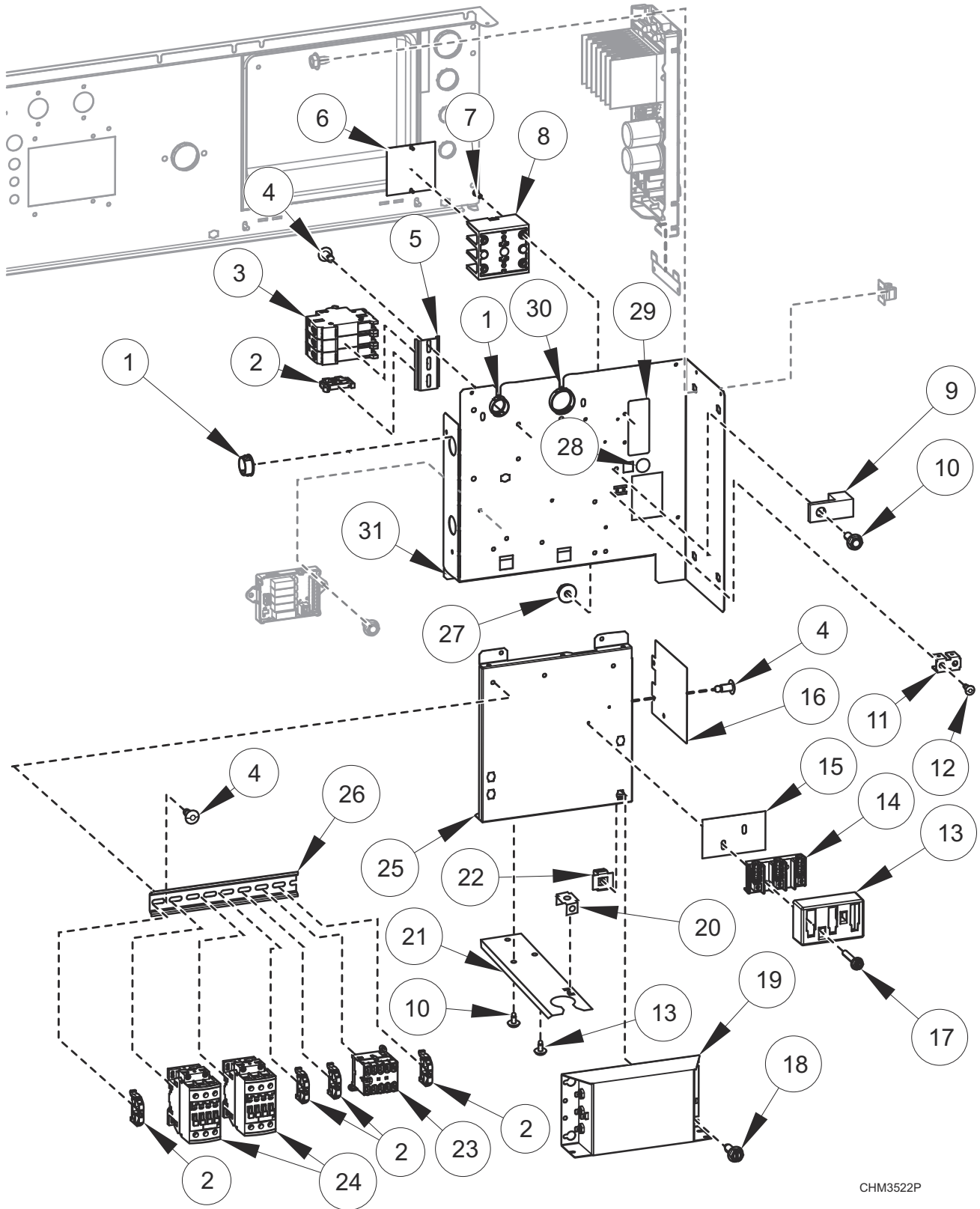


CHM3522P

Inverter Drive Box - 60 Pound Models with Q and X Voltage

REF	PART NO.	DESCRIPTION	COMMENTS
	F8567003	Drive Panel Base Assembly	Includes items 4, 11, 12, 16, 23, 24 and 29
	F8567004	Drive Panel Base Assembly	Electric heat; Includes items 4, 5, 11, 12, 16, 23, 24 and 29
	F8583501	Jumper	Circuit breaker jumper; Electric heat
	F8518401	Harness	Power TB1; X voltage
	F8518404	Harness	Power filter
	F8518607	Harness	Power drive
	F8528001	Harness	TB filter
	F8528003	Harness	CB filter; Electric heat
	F8528005	Harness	TB2 Filter
	F8518403	Harness	Power CB; Q voltage; Electric heat
	F8619101	Power Harness	Power contactor; Electric heat
	F8619102	Harness	Power contactor; Electric heat
	F8662811	Filter Kit	Includes items 1, 14, 15, 17-20, harnesses and labels; Q voltage; Electric heat
	F8662804	Filter Kit	Includes items 1, 14, 15, 17-20, harnesses and labels; X voltage
1	F140938	Snap Bushing	
2	F8449801	End Stop	
3	70488101	Circuit Breaker	3P; 25A; Electric heat
4	70058501	Pop Rivet	
5	B12315401	DIN Rail	7.5 mm x 35 mm x 72 mm; Electric heat
6	44014901P	Power Distribution Block Cover	Electric heat
7	39733	Screw	Electric heat
8	M413865	Power Distribution Block	Electric heat
9	M411283	Ground Lug Connector	
10	685837	Screw	
11	00622SG	Terminal	
12	M400003	Pop Rivet	
13	70333001	Terminal Block Shield	
14	430642	Terminal Block	
15	M413862	Insulator	
16	F8616901	Drive Shield	
17	51783	Screw	
18	F8206901	Screw	
19	F8591801	EMI Filter	
20	00621SG	Male Tab Terminal	IEC models
21	F8744301	Harness Support Bracket	IEC models
22	70030501	Expansion Clip	
23	70482601	Contactora	5.5kW/500V; 24VDC
24	70482701	Contactora	50A; 24VDC
25	F8530901	Contactora Tray	
26	M412689	DIN Rail	7.5 mm x 35 mm x 8.364 inch
27	44088001	Nut	
28	D516100	Label	
29	44286804	Wire Label	Power input; L1, L2/N; L1, L2, L3; X voltage
30	70346501	Bushing	
31	F8530803	Drive Terminal Tray	

Inverter Drive Box - 60 Pound Models with N and P Voltage

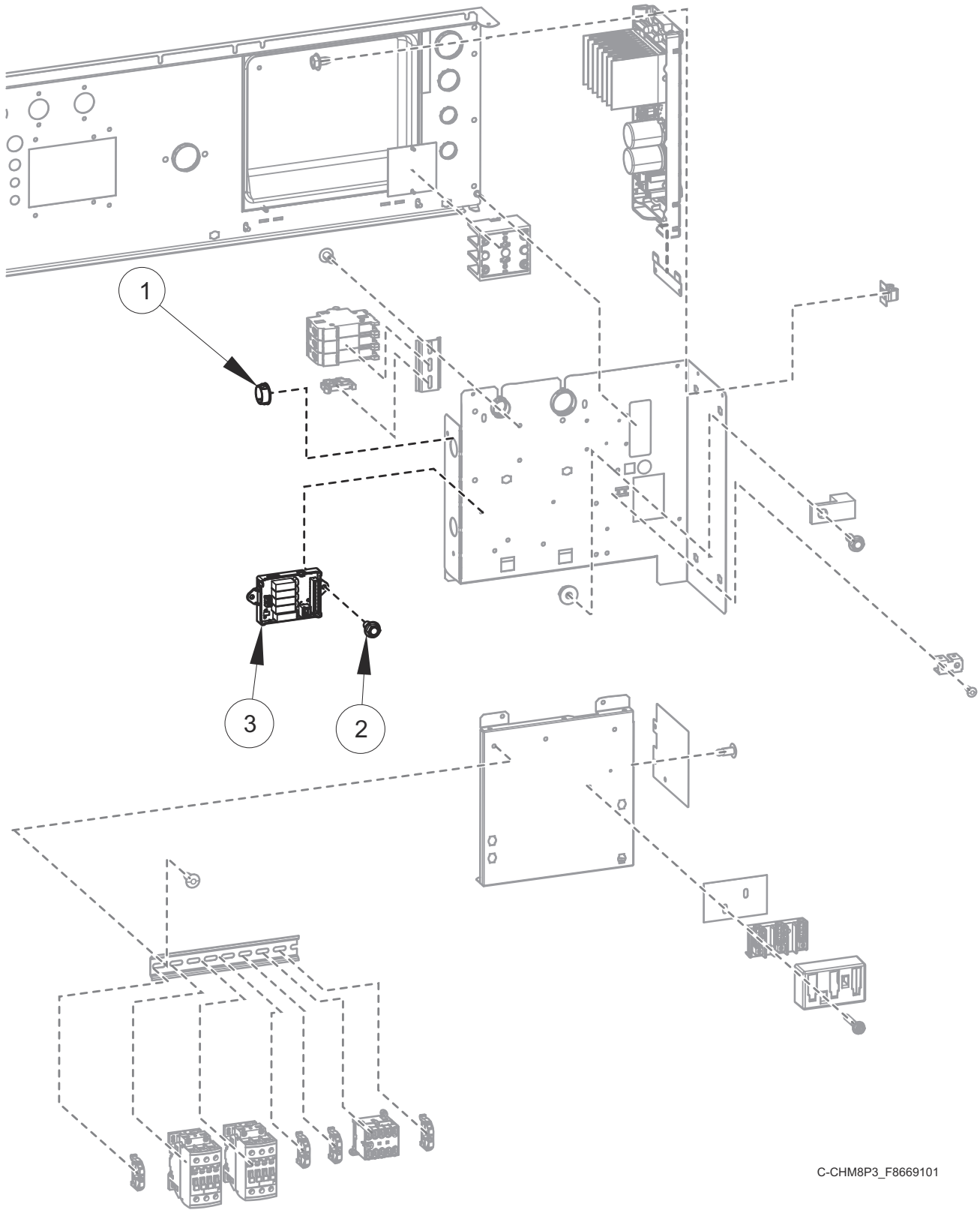


CHM3522P

Inverter Drive Box - 60 Pound Models with N and P Voltage

REF	PART NO.	DESCRIPTION	COMMENTS
	F8567003	Drive Panel Base Assembly	Includes items 4, 11, 12, 16, 23, 24 and 29
	F8567004	Drive Panel Base Assembly	Electric heat; Includes items 4, 5, 11, 12, 16, 23, 24 and 29
	F8583501	Jumper	Circuit breaker jumper; Electric heat
	F8518501	Harness	Power TB1; N and P voltage
	F8518503	Harness	Power CB; Electric heat
	F8518504	Harness	Power filter
	F8518606	Harness	Power drive
	F8528001	Harness	TB filter
	F8528003	Harness	CB filter; Electric heat
	F8528005	Harness	TB2 Filter
	F8619101	Power Harness	Power contactor; Electric heat
	F8619102	Harness	Power contactor; Electric heat
	F8662812	Filter Kit	Includes items 1, 14, 15, 17-20, harnesses and labels; Electric heat
	F8662806	Filter Kit	Includes items 1, 14, 15, 17-20, harnesses and labels
1	F140938	Snap Bushing	
2	F8449801	End Stop	
3	70488101	Circuit Breaker	3P; 25A; Electric heat
4	70058501	Pop Rivet	
5	B12315401	DIN Rail	7.5 mm x 35 mm x 72 mm; Electric heat
6	44014901P	Power Distribution Block Cover	Electric heat
7	39733	Screw	Electric heat
8	M413865	Power Distribution Block	Electric heat
9	M411283	Ground Lug Connector	
10	685837	Screw	
11	00622SG	Terminal	
12	M400003	Pop Rivet	
13	70333001	Terminal Block Shield	
14	430642	Terminal Block	
15	M413862	Insulator	
16	F8616901	Drive Shield	
17	51783	Screw	
18	F8206901	Screw	
19	F8637501	EMI Filter	
20	00621SG	Male Tab Terminal	IEC models
21	F8744301	Harness Support Bracket	IEC models
22	70030501	Expansion Clip	
23	70482601	Contactors	5.5kW/500V; 24VDC
24	70482701	Contactors	50A; 24VDC
25	F8530901	Contactors Tray	
26	M412689	DIN Rail	7.5 mm x 35 mm x 8.364 inch
27	44088001	Nut	
28	D516100	Label	
29	44286803	Label	Power input; L1, L2, L3
30	70346501	Bushing	
31	F8530803	Drive Terminal Tray	

External Supply Kit

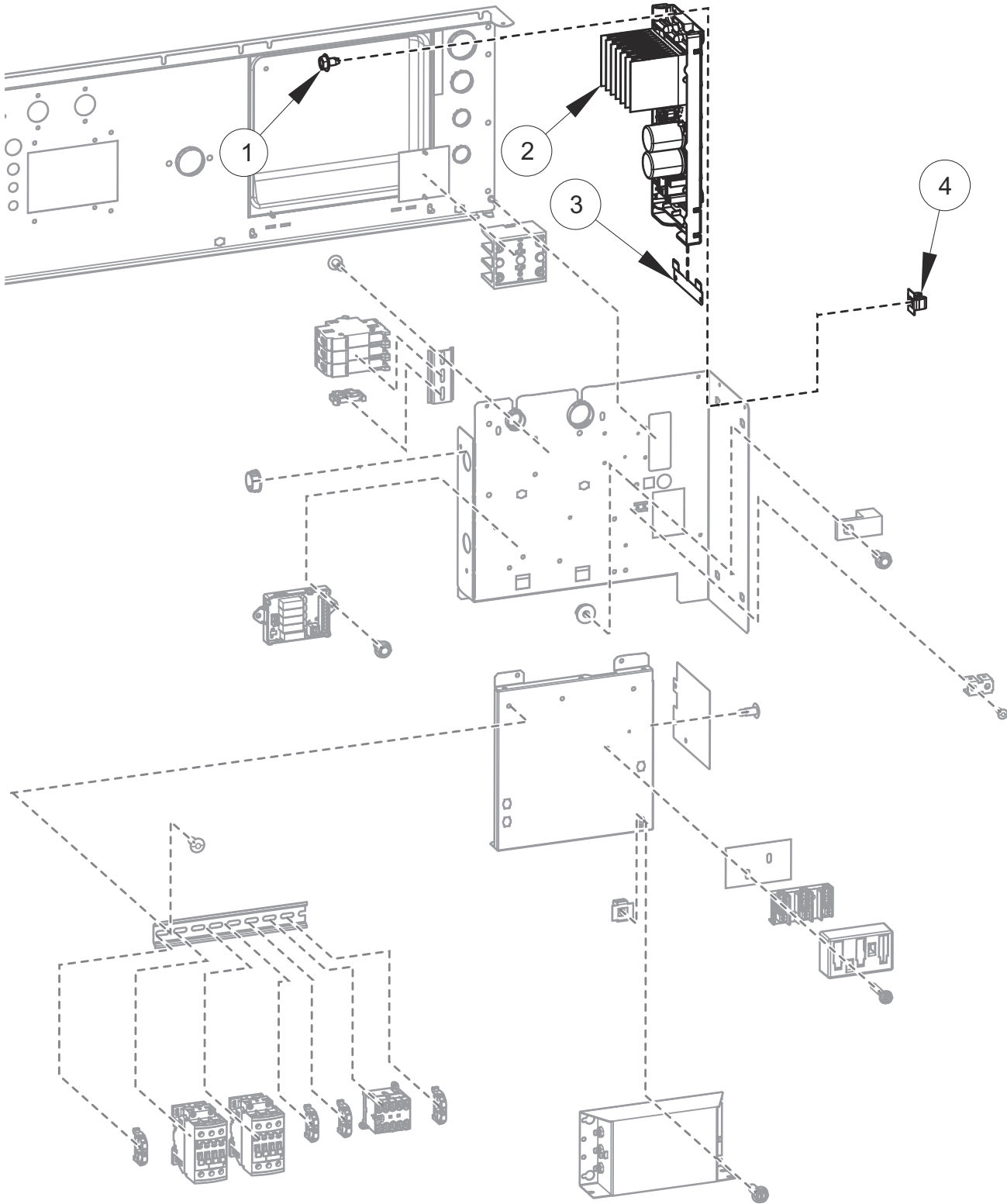


C-CHM8P3_F8669101

External Supply Kit

REF	PART NO.	DESCRIPTION	COMMENTS
	F8520601	Harness	Communication; 20 and 30 pound models
	F8520602	Harness	Communication; 40 and 60 pound models
	F8528203	Harness	Power; B voltage
	F8528204	Harness	Power; N, P, Q, W, X and Y voltage
	F8662501	External Supply Kit	20 and 30 pound card ready models with B voltage; Includes items 1-3, F8520601 Harness, F8528203 Harness and labels; 4 out
	F8662502	External Supply Kit	40 pound card ready models with B voltage; Includes items 1-3, F8520602 Harness, F8528203 Harness and labels; 4 out
	F8662503	External Supply Kit	20 and 30 pound card ready models with N, P, Q and X voltage; Includes items 1-3, F8520601 Harness, F8528204 Harness and labels; 4 out
	F8662504	External Supply Kit	40 and 60 pound card ready models with N, P, Q and X voltage; Includes items 1-3, F8520602 Harness, F8528204 Harness and labels; 4 out
	F8662505	External Supply Kit	20 and 30 pound coin and central pay models with B voltage; Includes items 1-3, 202757 Transformer, F8520601 Harness, F8528203 Harness, hardware and labels; 4 out
	F8662506	External Supply Kit	40 pound coin and central pay models with B voltage; Includes items 1-3, 202757 Transformer, F8520601 Harness, F8528203 Harness, hardware and labels; 4 out
	F8662507	External Supply Kit	20 and 30 pound coin and central pay models with N, P, Q and X voltage; Includes items 1-3, 202758 Transformer, F8520601 Harness, F8528204 Harness, hardware and labels; 4 out
	F8662508	External Supply Kit	40 and 60 pound coin and central pay models with N, P, Q and X voltage; Includes items 1-3, F8520602 Harness, F8528204 Harness, hardware and labels; 4 out
1	F140938	Snap Bushing	
2	430497	Screw	
3	804528	Chemical Injection Control	5 output
	70493102	Connector	9 pin; H2

Inverter Drive

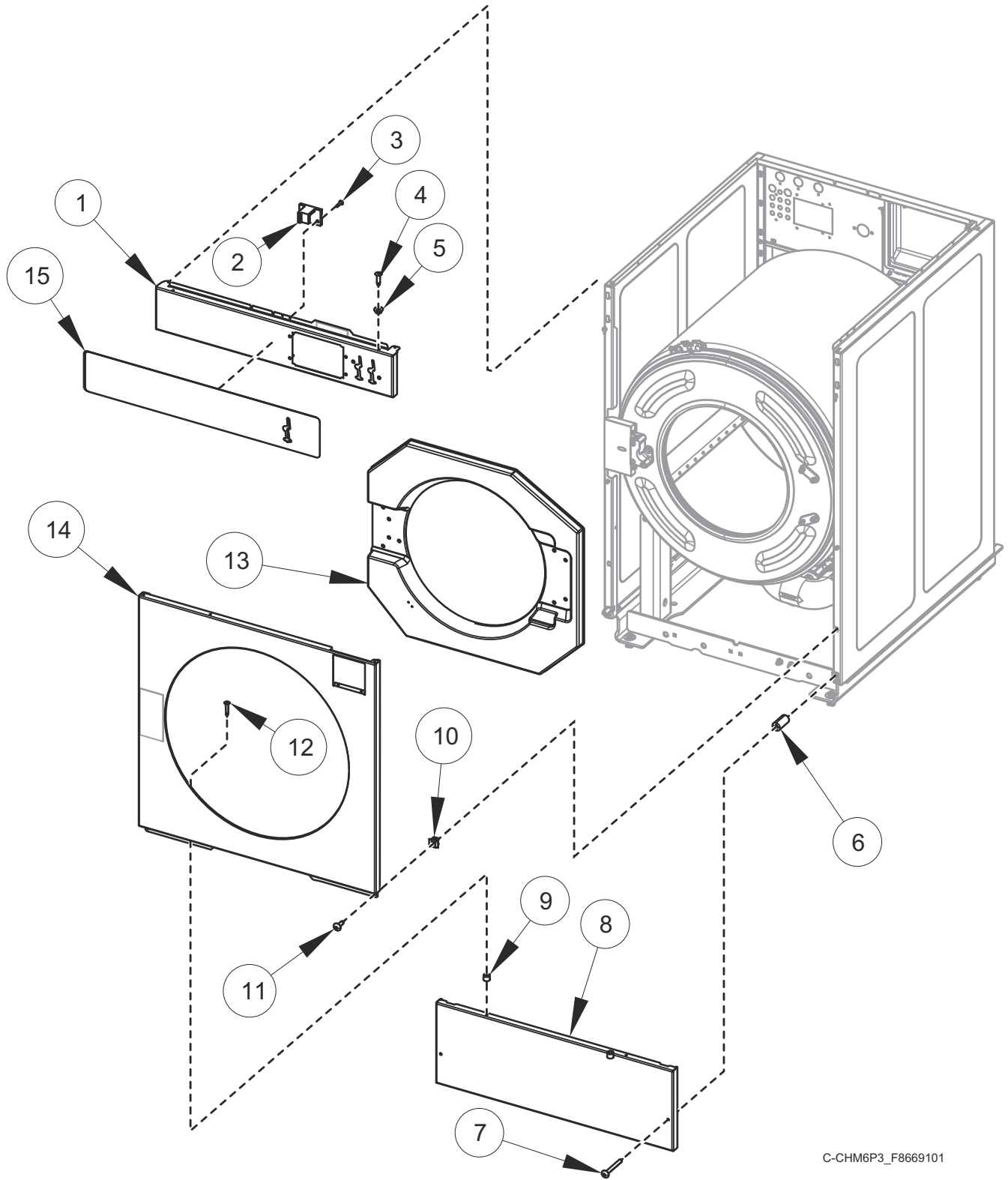


C-CHM2P22_F8669101

Inverter Drive

REF	PART NO.	DESCRIPTION	COMMENTS
	F8519202	Drive Communication Harness	20 and 30 pound models; 40 and 60 pound models with N and P voltage; Electric heat
	F8519203	Drive Communication Harness	40 and 60 pound models with Q voltage; Electric heat
	F8519201	Drive Communication Harness	Standard
	F8519204	Drive Communication Harness	Steam heat
	F8518605	Harness	Power drive; 20, 30 and 40 pound models with Q, W, X and Y voltage
	F8518607	Harness	60 pound models with Q and X voltage; EMI filter
	F8518606	Harness	Power drive; N and P voltage; EMI filter
	F8518602	Drive Power Harness	Q, W, X and Y voltage
	F8518603	Drive Power Harness	N and P voltage
	F8518601	Drive Power Harness	B voltage
1	D503688	Screw	
2	F8496001	Drive Assembly	20, 30 and 40 pound models; N and P-voltage; 2 hp; 480 Volt
	F8495401P	Drive Assembly	20, 30 and 40 pound models; B, Q, W X and Y-voltage; 2 hp; 120/240 Volt
	F8496301P	Drive Assembly	60 pound models; Q and X-voltage; 3 hp; 240 Volt
	F8496901	Drive Assembly	60 pound models; N and P-voltage; 5 hp; 480 Volt
3	F8322401	Drive Mounting Bracket	2 included with N and P voltage
4	70030501	Expansion Clip	

Front Panels and Control Panel - Coin Models - Design 4

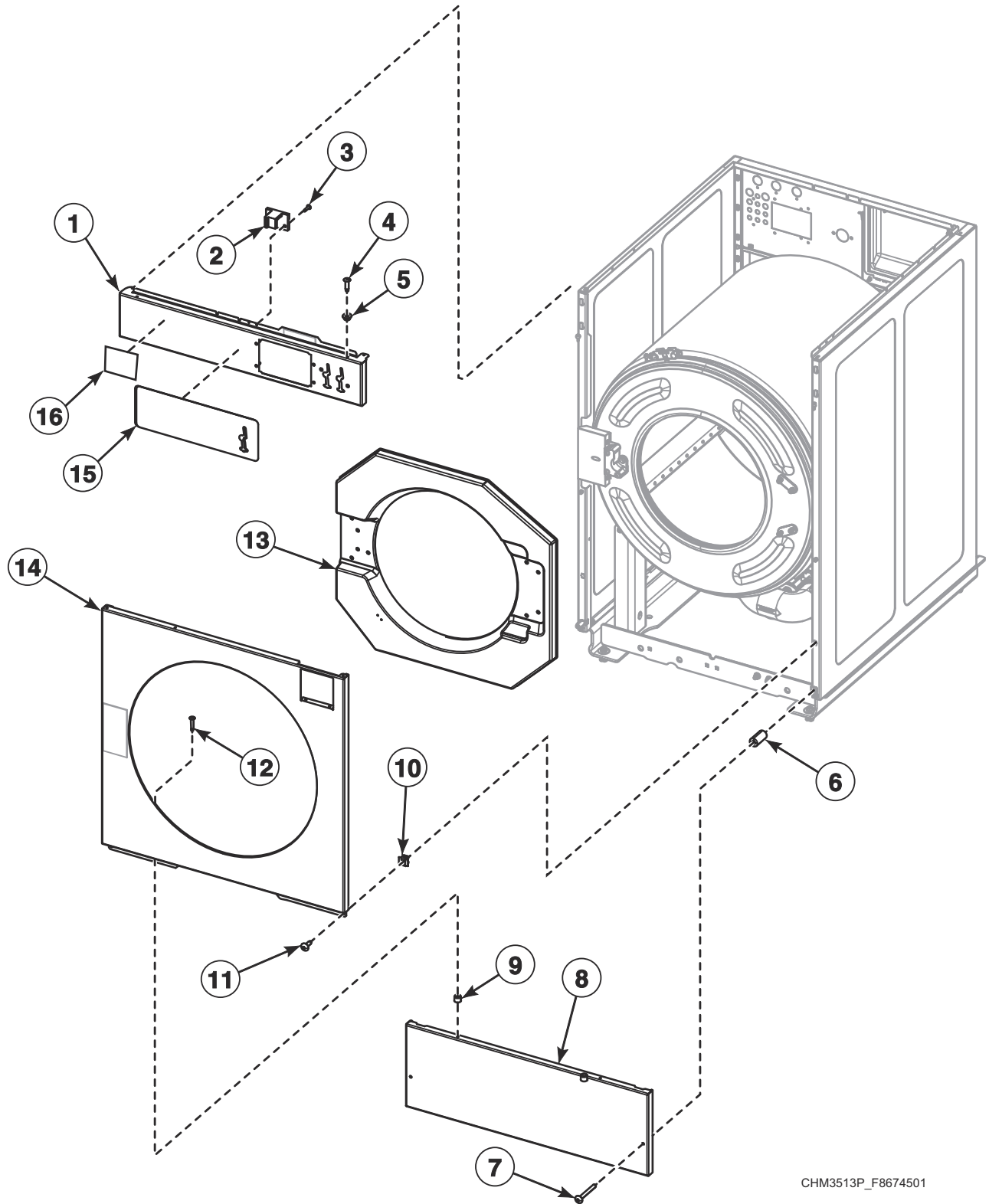


C-CHM6P3_F8669101

Front Panels and Control Panel - Coin Models - Design 4

REF	PART NO.	DESCRIPTION	COMMENTS
	F8535502	Screw	Attaches front panel to coin box
1	F8523701	Control Panel Assembly	20 pound models
	F8523801	Control Panel Assembly	30 pound models
	F8523901	Control Panel Assembly	40 pound models
	F8553701	Control Panel Assembly	60 pound models
2	F8201001	Top Cover Latch	
3	F431215	Pop Rivet	
4	70412601	Pop Rivet	
5	F8201101	Washer	
6	F8609701	Access Panel Retaining Spacer	
7	F8589501	Screw	
8	F8524001	Access Panel	20 pound models
	F8524101	Access Panel	30 pound models
	F8524201	Access Panel	40 pound models
	F8553901	Access Panel	60 pound models
9	56079	Panel Locator	
10	70030501	Expansion Clip	
11	F8117601	Screw	
12	M412763	Rivet	
13	F8658701	Door Bezel	20 pound models
	F170417-1	Door Bezel	30 pound models
	F8659101	Door Bezel	40 and 60 pound models
14	F8524301	Front Panel	20 pound models
	F8524401	Front Panel	30 pound models
	F8524501	Front Panel	40 pound models
	F8554001	Front Panel	60 pound models
15	F8655701	Overlay	20 pound models; Single coin
	F8655702	Overlay	20 pound models; Dual coin
	F8655801	Overlay	30 pound models; Single coin
	F8655802	Overlay	30 pound models; Dual coin
	F8655901	Overlay	40 pound models; Single coin
	F8655902	Overlay	40 pound models; Dual coin
	F8656001	Overlay	60 pound models; Single coin
	F8656002	Overlay	60 pound models; Dual coin
	F8679601	Overlay	SCT 20 pound models starting May 2019; Single coin
	F8679701	Overlay	SCT 30 pound models starting May 2019; Single coin
	F8679801	Overlay	SCT 40 pound models starting May 2019; Single coin
	F8679901	Overlay	SCT 60 pound models starting May 2019; Single coin

Front Panels and Control Panel - Coin Models - Design 6

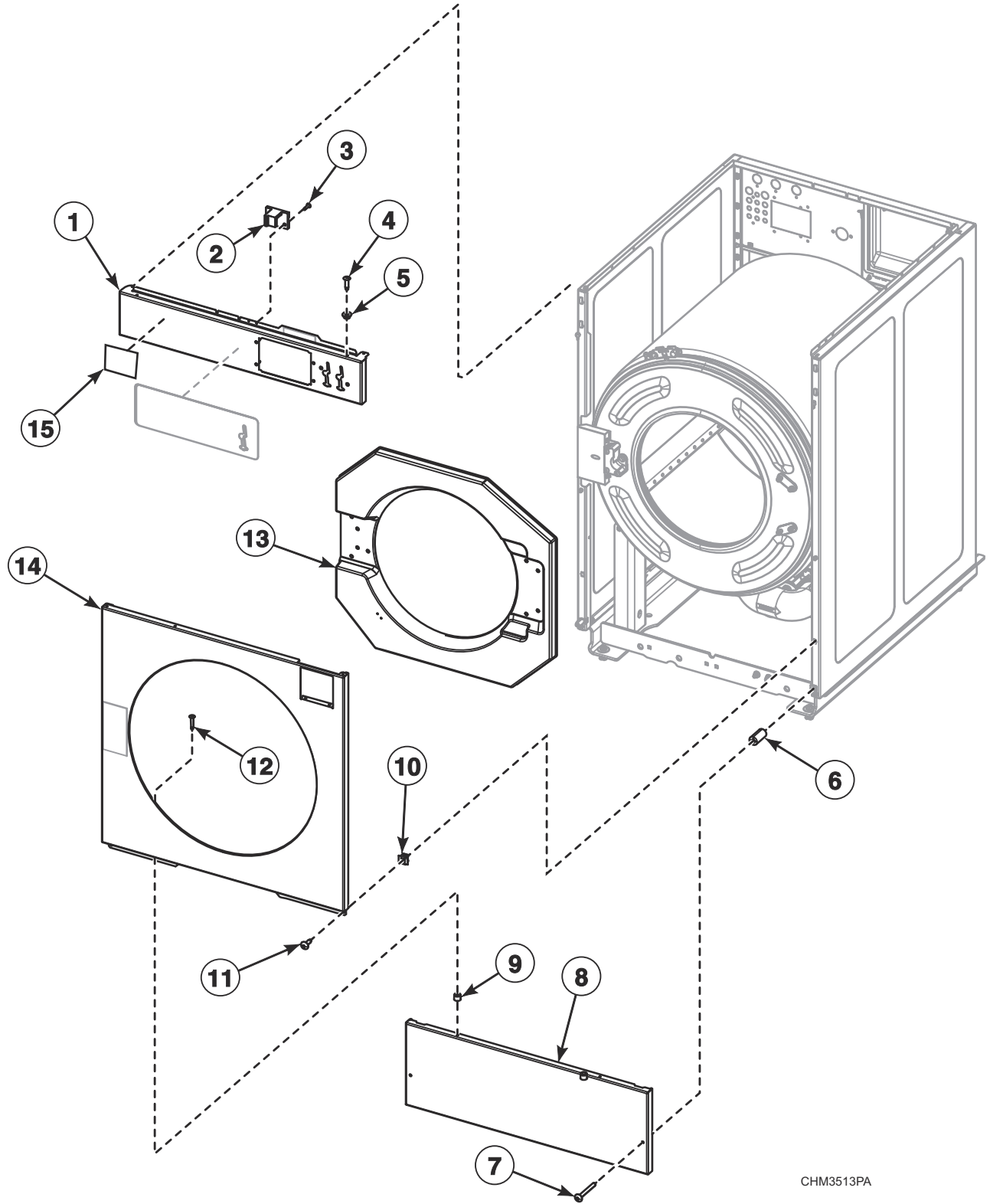


CHM3513P_F8674501

Front Panels and Control Panel - Coin Models - Design 6

REF	PART NO.	DESCRIPTION	COMMENTS
	F8698801	Instruction Label	English/Spanish
	F8698901	Instruction Label	Icon
	F8699702	Basket Capacity Label	20 pound models
	F8699703	Basket Capacity Label	30 pound models
	F8699704	Basket Capacity Label	40 pound models
	F8699706	Basket Capacity Label	60 pound models
	F8535502	Screw	Attaches front panel to coin box
1	F8697101	Control Panel Assembly	20 pound models
	F8697201	Control Panel Assembly	30 pound models
	F8697301	Control Panel Assembly	40 pound models
	F8697401	Control Panel Assembly	60 pound models
2	F8201001	Top Cover Latch	
3	F431215	Pop Rivet	
4	70412601	Pop Rivet	
5	F8201101	Washer	
6	F8609701	Access Panel Retaining Spacer	
7	F8589501	Screw	
8	F8524001	Access Panel	20 pound models
	F8524101	Access Panel	30 pound models
	F8524201	Access Panel	40 pound models
	F8553901	Access Panel	60 pound models
9	56079	Panel Locator	
10	70030501	Expansion Clip	
11	F8117601	Screw	
12	M412763	Rivet	
13	F8658701	Door Bezel	20 pound models
	F170417-1	Door Bezel	30 pound models
	F8659101	Door Bezel	40 and 60 pound models
14	F8686001	Front Panel	20 pound models
	F8686101	Front Panel	30 pound models
	F8685301	Front Panel	40 pound models
	F8686201	Front Panel	60 pound models
15	F8695301	Overlay	20, 30 and 40 pound models; Single coin
	F8695302	Overlay	20, 30 and 40 pound models; Dual coin
	F8695401	Overlay	60 pound models; Single coin
	F8695402	Overlay	60 pound models; Dual coin
16	F8688801	Nameplate	

Front Panels and Control Panel - Coin Models - Design 7

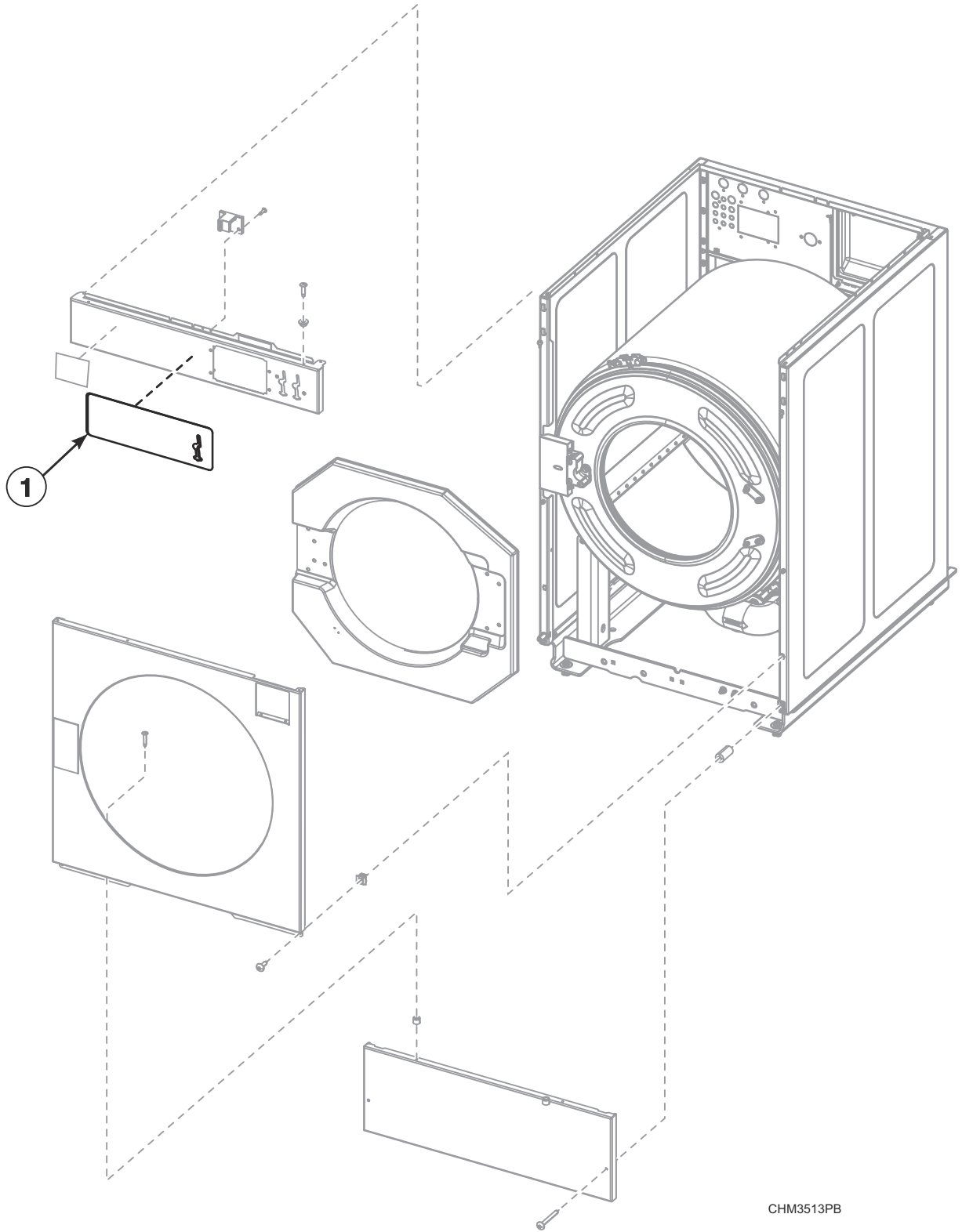


CHM3513PA

Front Panels and Control Panel - Coin Models - Design 7

REF	PART NO.	DESCRIPTION	COMMENTS
	F8698801	Instruction Label	English/Spanish
	F8698901	Instruction Label	Icon
	F8699702	Basket Capacity Label	20 pound models
	F8699703	Basket Capacity Label	30 pound models
	F8699704	Basket Capacity Label	40 pound models
	F8699706	Basket Capacity Label	60 pound models
	F8535502	Screw	Attaches front panel to coin box
1	F8697101	Control Panel Assembly	20 pound models
	F8697201	Control Panel Assembly	30 pound models
	F8697301	Control Panel Assembly	40 pound models
	F8697401	Control Panel Assembly	60 pound models
2	F8201001	Top Cover Latch	
3	F431215	Pop Rivet	
4	70412601	Pop Rivet	
5	F8201101	Washer	
6	F8609701	Access Panel Retaining Spacer	
7	F8589501	Screw	
8	F8524001	Access Panel	20 pound models
	F8524101	Access Panel	30 pound models
	F8524201	Access Panel	40 pound models
	F8553901	Access Panel	60 pound models
9	56079	Panel Locator	
10	70030501	Expansion Clip	
11	F8117601	Screw	
12	M412763	Rivet	
13	F8658701	Door Bezel	20 pound models
	F170417-1	Door Bezel	30 pound models
	F8659101	Door Bezel	40 and 60 pound models
14	F8686001	Front Panel	20 pound T market models
	F8686101	Front Panel	30 pound T market models
	F8685301	Front Panel	40 pound T market models
	F8686201	Front Panel	60 pound T market models
	F8524303	Front Panel	20 pound A, H, K, L, and Z market models
	F8524403	Front Panel	30 pound A, H, K, L, and Z market models
	F8524503	Front Panel	40 pound A, H, K, L, and Z market models
	F8524003	Front Panel	60 pound A, H, K, L, and Z market models
15	F8688801	Nameplate	

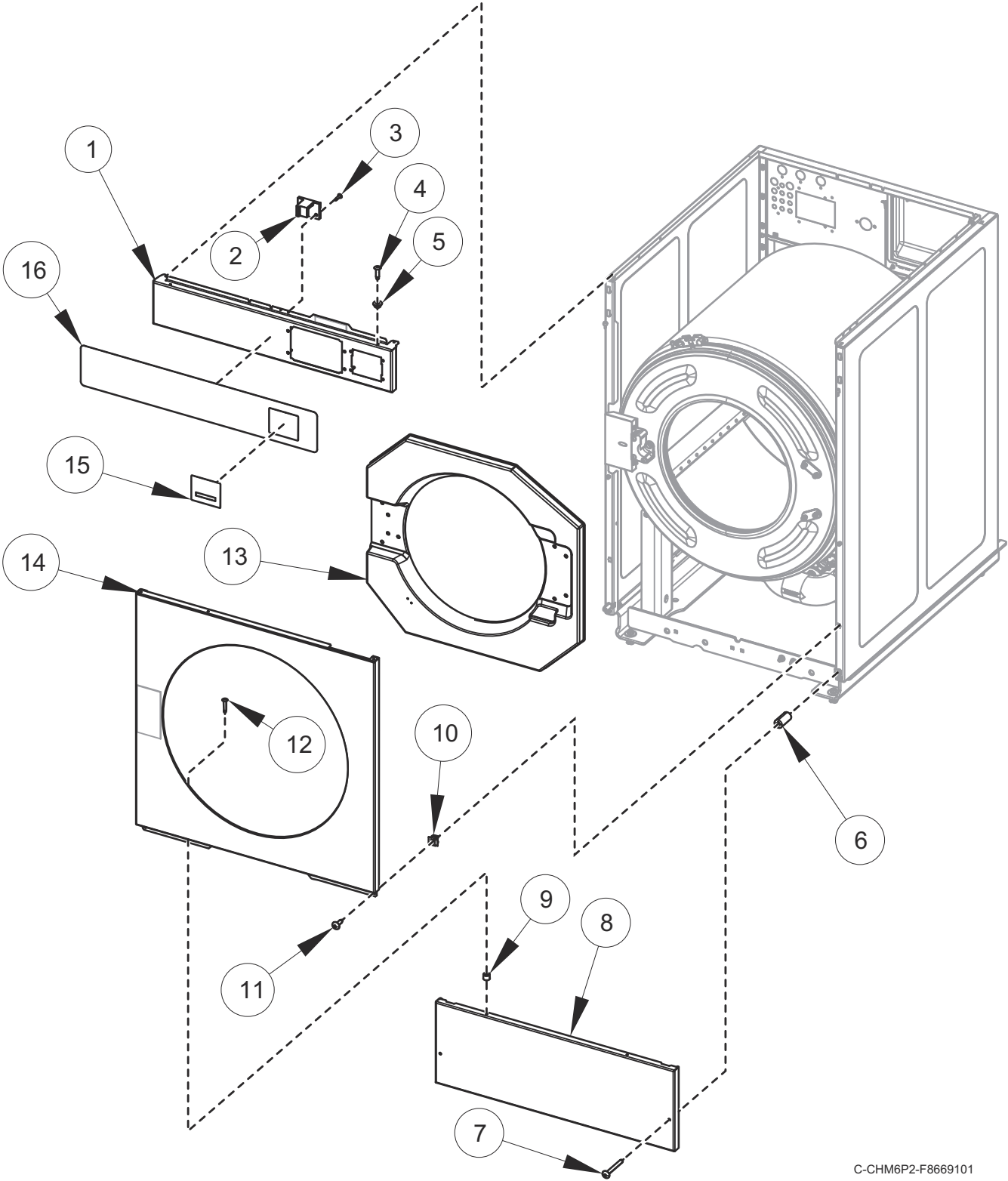
Front Panels and Control Panel Overlays - Coin Models - Design 7



Front Panels and Control Panel Overlays - Coin Models - Design 7

REF	PART NO.	DESCRIPTION	COMMENTS
	70295101	Overlay	All markets except T; Use with item 1
1	F8655701	Overlay	20 pound models; markets except T; Single coin
	F8655702	Overlay	20 pound models; markets except T; Dual coin
	F8655801	Overlay	30 pound models; markets except T; Single coin
	F8655802	Overlay	30 pound models; markets except T; Dual coin
	F8655901	Overlay	40 pound models; markets except T; Single coin
	F8655902	Overlay	40 pound models; markets except T; Dual coin
	F8656001	Overlay	60 pound models; markets except T; Single coin
	F8656002	Overlay	60 pound models; markets except T; Dual coin
	F8731001	Overlay	20 pound T market models; Single coin
	F8731002	Overlay	20 pound T market models; Dual coin
	F8731101	Overlay	30 pound T market models; Single coin
	F8731102	Overlay	30 pound T market models; Dual coin
	F8731201	Overlay	40 pound T market models; Single coin
	F8731202	Overlay	40 pound T market models; Dual coin
	F8731301	Overlay	60 pound T market models; Single coin
	F8731302	Overlay	60 pound T market models; Dual coin

Front Panels and Control Panel - Card Reader and Central Pay Models - Design 4

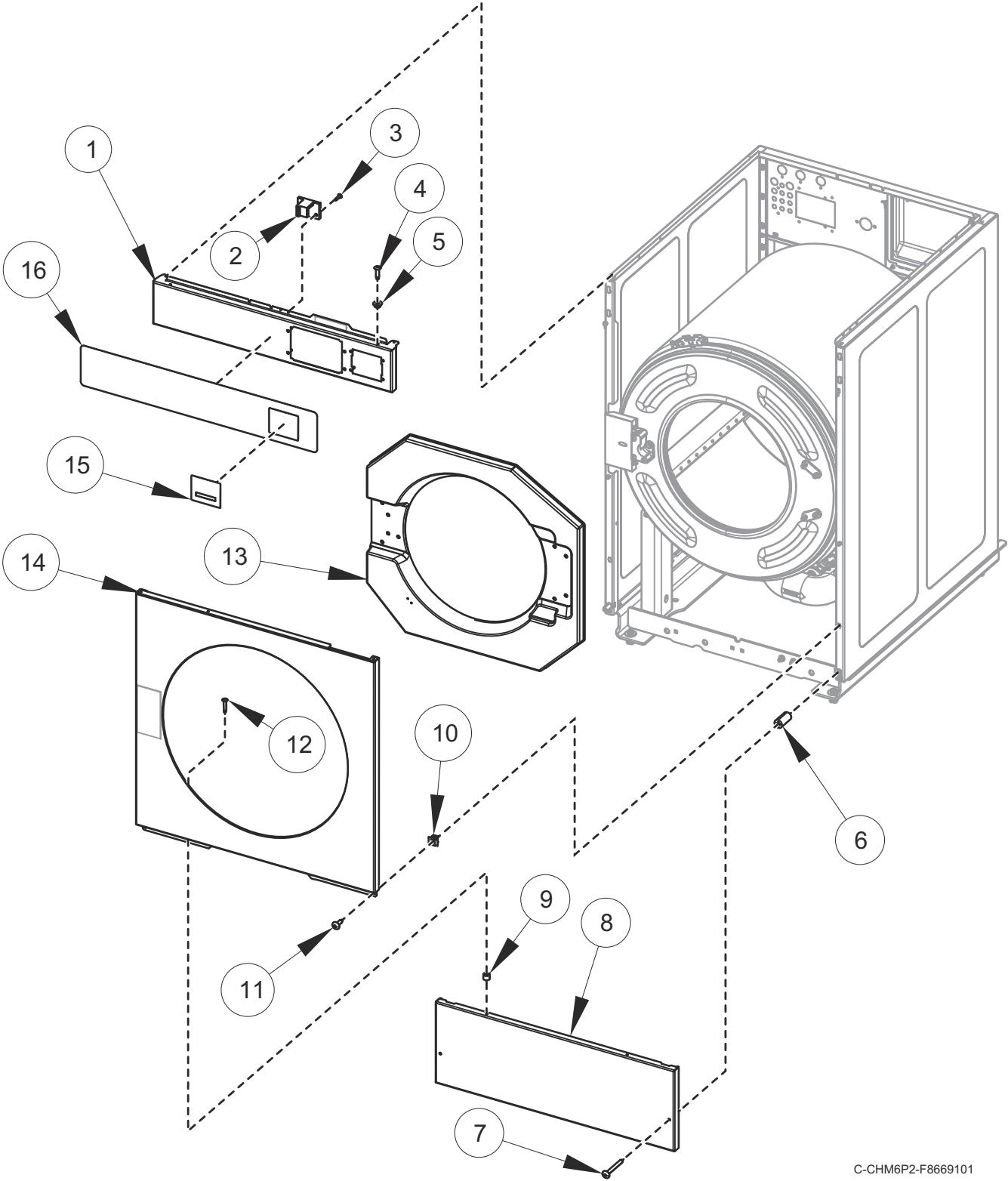


C-CHM6P2-F8669101

Front Panels and Control Panel - Card Reader and Central Pay Models - Design 4

REF	PART NO.	DESCRIPTION	COMMENTS
1	F8523704	Control Panel Assembly	20 pound models
	F8523804	Control Panel Assembly	30 pound models
	F8523904	Control Panel Assembly	40 pound models
	F8553704	Control Panel Assembly	60 pound models
2	F8201001	Top Cover Latch	
3	F431215	Pop Rivet	
4	70412601	Pop Rivet	
5	F8201101	Washer	
6	F8609701	Access Panel Retaining Spacer	
7	F8589501	Screw	
8	F8524001	Access Panel	20 pound models
	F8524101	Access Panel	30 pound models
	F8524201	Access Panel	40 pound models
	F8553901	Access Panel	60 pound models
9	56079	Panel Locator	
10	70030501	Expansion Clip	
11	F8117601	Screw	
12	M412763	Rivet	
13	F8658701	Door Bezel	20 pound models
	F170417-1	Door Bezel	30 pound models
	F8659101	Door Bezel	40 and 60 pound models
14	F8524302	Front Panel	20 pound models
	F8524402	Front Panel	30 pound models
	F8524502	Front Panel	40 pound models
	F8554002	Front Panel	60 pound models
15	70557001	Overlay	Card reader models
	70557002	Overlay	Central pay models
16	F8655703	Overlay	20 pound models
	F8655803	Overlay	30 pound models
	F8655903	Overlay	40 pound models
	F8656003	Overlay	60 pound models

Front Panels and Control Panel - Card Reader and Central Pay Models - Design 6

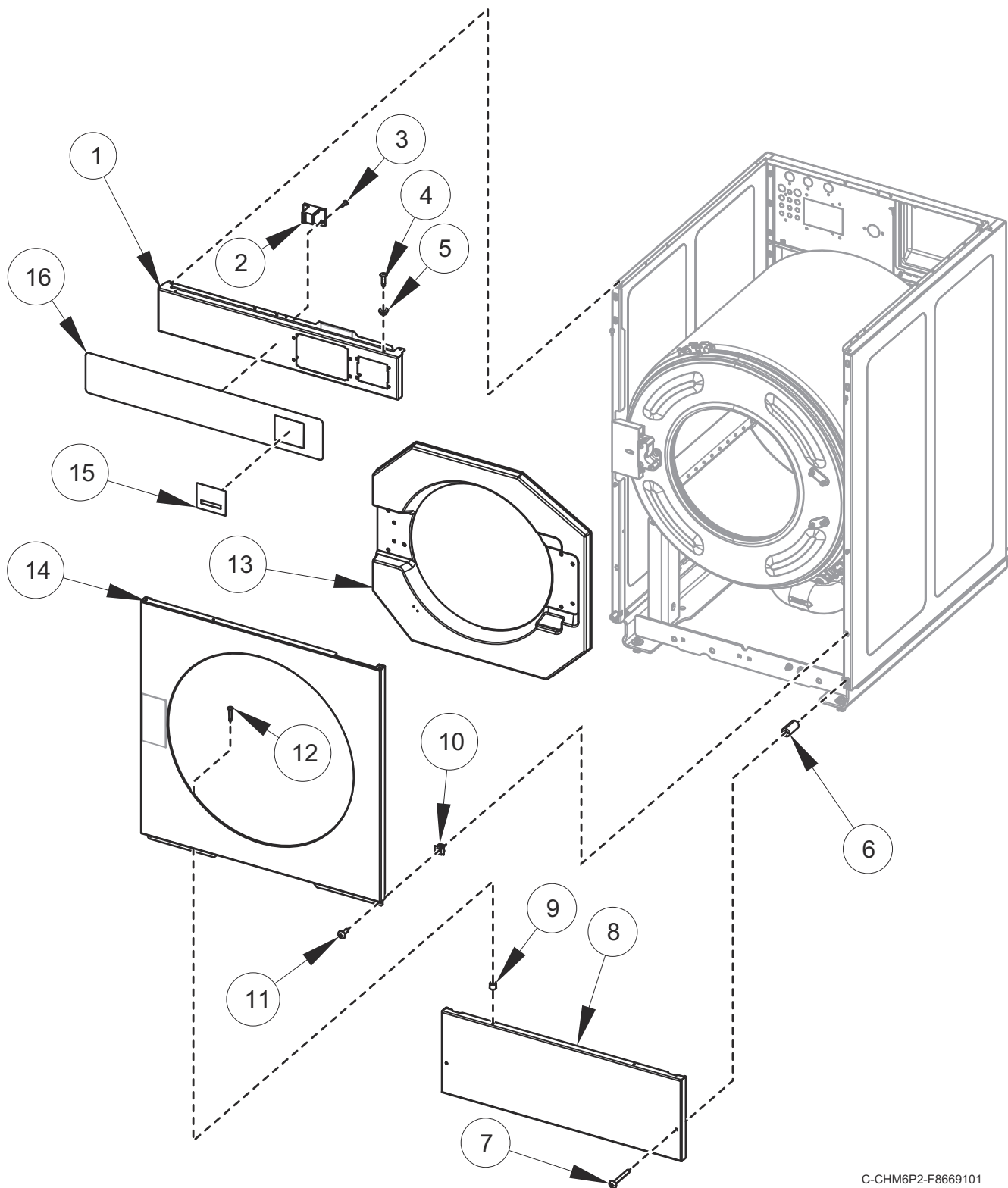


C-CHM6P2-F8669101

Front Panels and Control Panel - Card Reader and Central Pay Models - Design 6

REF	PART NO.	DESCRIPTION	COMMENTS
	F8698801	Instruction Label	English/Spanish
	F8698901	Instruction Label	Icon
	F8699702	Basket Capacity Label	20 pound models
	F8699703	Basket Capacity Label	30 pound models
	F8699704	Basket Capacity Label	40 pound models
	F8699706	Basket Capacity Label	60 pound models
1	F8697102	Control Panel Assembly	20 pound models
	F8697202	Control Panel Assembly	30 pound models
	F8697302	Control Panel Assembly	40 pound models
	F8697402	Control Panel Assembly	60 pound models
2	F8201001	Top Cover Latch	
3	F431215	Pop Rivet	
4	70412601	Pop Rivet	
5	F8201101	Washer	
6	F8609701	Access Panel Retaining Spacer	
7	F8589501	Screw	
8	F8524001	Access Panel	20 pound models
	F8524101	Access Panel	30 pound models
	F8524201	Access Panel	40 pound models
	F8553901	Access Panel	60 pound models
9	56079	Panel Locator	
10	70030501	Expansion Clip	
11	F8117601	Screw	
12	M412763	Rivet	
13	F8658701	Door Bezel	20 pound models
	F170417-1	Door Bezel	30 pound models
	F8659101	Door Bezel	40 and 60 pound models
14	F8686002	Front Panel	20 pound models
	F8686102	Front Panel	30 pound models
	F8685302	Front Panel	40 pound models
	F8686202	Front Panel	60 pound models
15	F8696301	Overlay	Card reader models
	F8696302	Overlay	Central pay models
16	F8695303	Overlay	20, 30 and 40 pound models
	F8695403	Overlay	60 pound models

Front Panels and Control Panel - Card Reader, Central Pay and FOB Models - Design 7

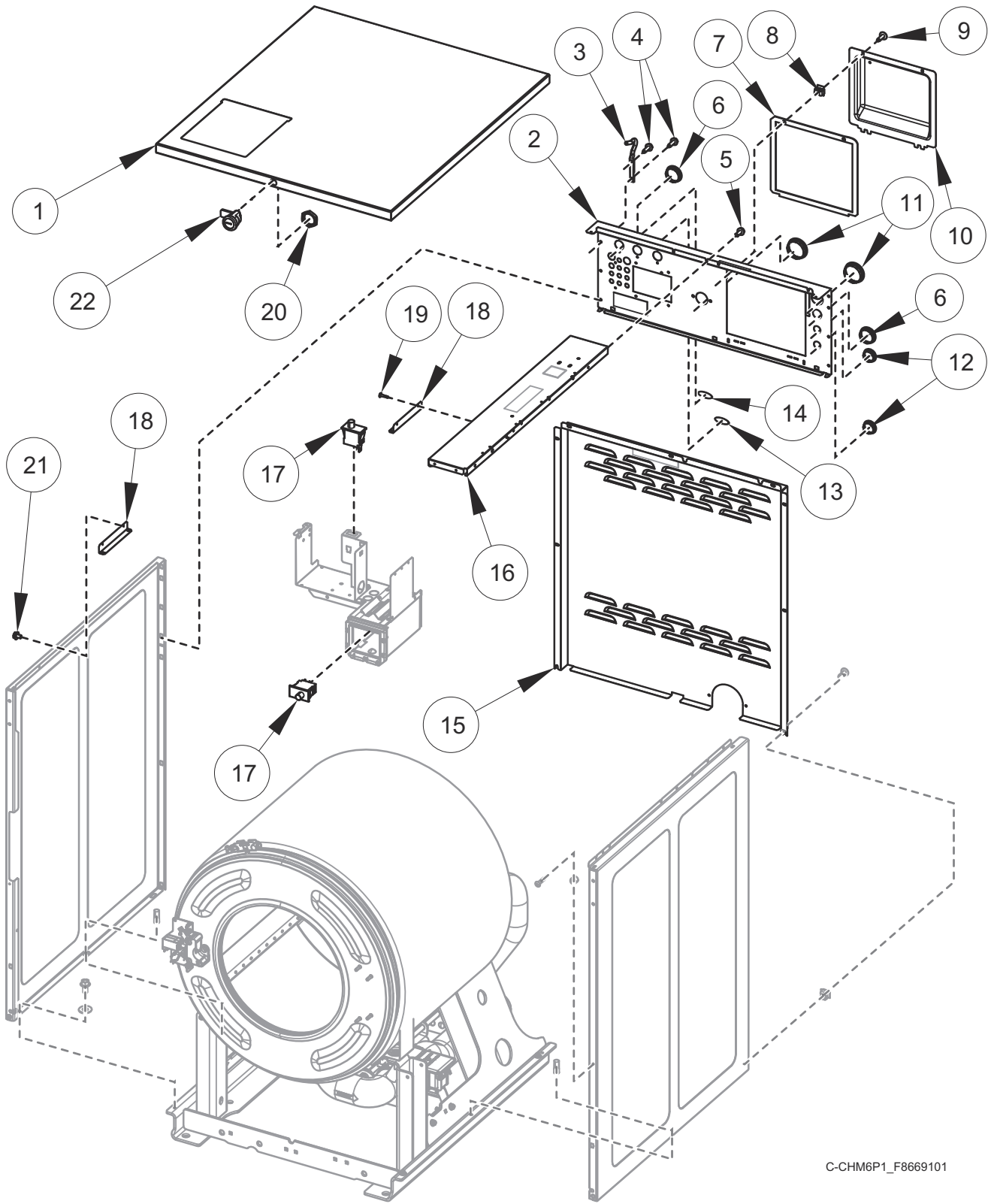


C-CHM6P2-F8669101

Front Panels and Control Panel - Card Reader, Central Pay and FOB Models - Design 7

REF	PART NO.	DESCRIPTION	COMMENTS
	F8698801	Instruction Label	English/Spanish
	F8698901	Instruction Label	Icon
	F8699702	Basket Capacity Label	20 pound models
	F8699703	Basket Capacity Label	30 pound models
	F8699704	Basket Capacity Label	40 pound models
	F8699706	Basket Capacity Label	60 pound models
1	F8697102	Control Panel Assembly	20 pound models
	F8697202	Control Panel Assembly	30 pound models
	F8697302	Control Panel Assembly	40 pound models
	F8697402	Control Panel Assembly	60 pound models
2	F8201001	Top Cover Latch	
3	F431215	Pop Rivet	
4	70412601	Pop Rivet	
5	F8201101	Washer	
6	F8609701	Access Panel Retaining Spacer	
7	F8589501	Screw	
8	F8524001	Access Panel	20 pound models
	F8524101	Access Panel	30 pound models
	F8524201	Access Panel	40 pound models
	F8553901	Access Panel	60 pound models
9	56079	Panel Locator	
10	70030501	Expansion Clip	
11	F8117601	Screw	
12	M412763	Rivet	
13	F8658701	Door Bezel	20 pound models
	F170417-1	Door Bezel	30 pound models
	F8659101	Door Bezel	40 and 60 pound models
14	F8686002	Front Panel	20 pound T market models
	F8686102	Front Panel	30 pound T market models
	F8685302	Front Panel	40 pound T market models
	F8686202	Front Panel	60 pound T market models
	F8524304	Front Panel	20 pound A, H, K, L, and Z market models
	F8524404	Front Panel	30 pound A, H, K, L, and Z market models
	F8524504	Front Panel	40 pound A, H, K, L, and Z market models
	F8524004	Front Panel	60 pound A, H, K, L, and Z market models
15	F8696301	Overlay	Card reader models
	F8696302	Overlay	Central pay models
16	F8731003	Overlay	20 pound models
	F8731103	Overlay	30 pound models
	F8731203	Overlay	40 pound models
	F8731303	Overlay	60 pound models

Rear and Top Panels

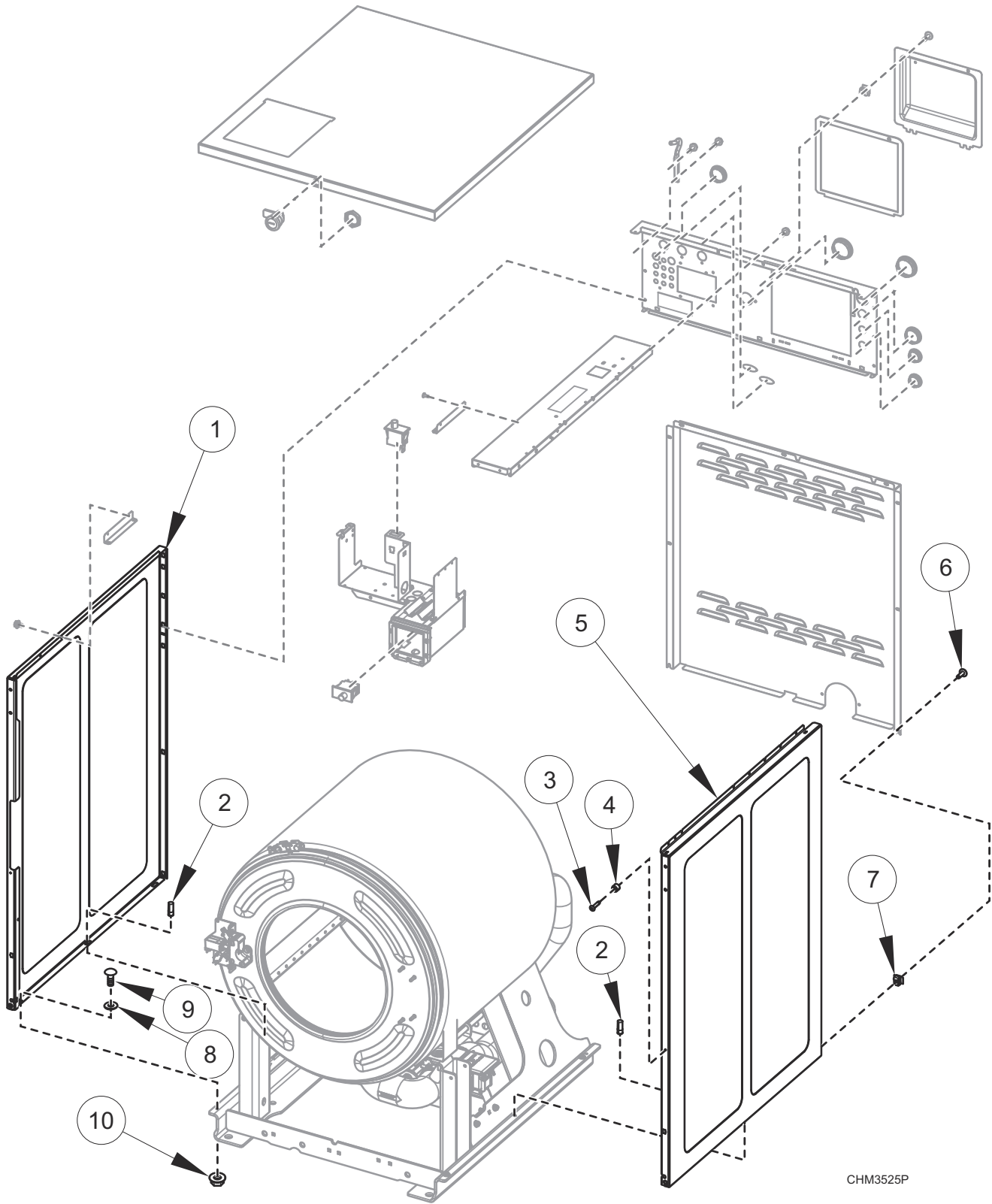


C-CHM6P1_F8669101

Rear and Top Panels

REF	PART NO.	DESCRIPTION	COMMENTS
1	F8525401	Top Cover	20 pound models
	F8525501	Top Cover	30 pound models
	F8525601	Top Cover	40 pound models
	F8554301	Top Cover	60 pound models
2	F8513101	Valve Panel	20 pound models
	F8513201	Valve Panel	30 pound models
	F8513301	Valve Panel	40 pound models
	F8554401	Valve Panel	60 pound models
3	F8258601	Top Cover Hinge	
4	F8206901	Screw	
5	33562	Screw	
6	F8223901	Plug	
7	F8542601	Gasket	
8	70030501	Expansion Clip	
9	F8117601	Screw	
10	F8518301	Terminal Tray Cover	
	F8521301	Cable	
11	F8223801	Hole Plug	
12	M400985	Plug	
13	F8611301	Label	Hot water
14	F8611401	Label	Cold water
15	F8527001	Rear Panel	20 pound models
	F8527101	Rear Panel	30 pound models
	F8527201	Rear Panel	40 pound models
	F8554501	Rear Panel	60 pound models
16	F8527301	Cabinet Brace	20 pound models
	F8527401	Cabinet Brace	30 pound models
	F8527501	Cabinet Brace	40 pound models
	F8553201	Cabinet Brace	60 pound models
17	70413301	Pushbutton Switch	
18	F8525701	Dispenser Bracket	
19	F431215	Pop Rivet	
20	44088801	Nut	
21	51780	Screw	
22	44089303P	Panel Lock	
	70155603	Key	

Side Panels

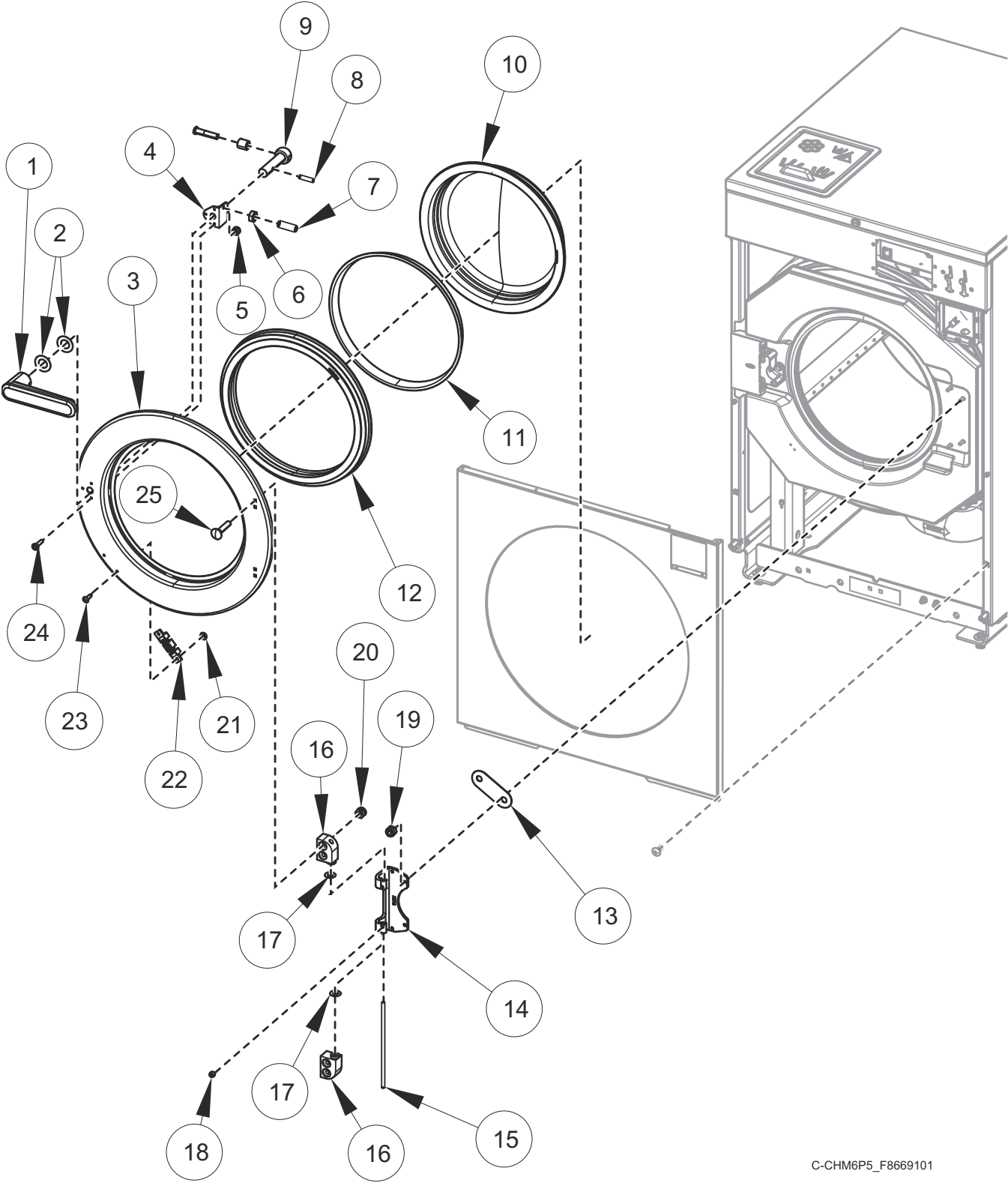


CHM3525P

Side Panels

REF	PART NO.	DESCRIPTION	COMMENTS
1	F8524602	Side Panel	20 pound models; Left
	F8524604	Side Panel	20 pound models; Left; Stainless steel; all markets through December 7, 2021; T market models starting December 8, 2021; models with 0 in 5th position of serial number starting December 8, 2021
	F8525606	Side Panel	20 pound models; Left; Painted; All markets except T with 6 in 5th position of serial number starting December 8, 2021
	F8524702	Side Panel	30 pound models; Left
	F8524704	Side Panel	30 pound models; Left; Stainless steel; all markets through December 7, 2021; T market models starting December 8, 2021; models with 0 in 5th position of serial number starting December 8, 2021
	F8524706	Side Panel	30 pound models; Left; Painted; All markets except T with 6 in 5th position of serial number starting December 8, 2021
	F8524802	Side Panel	40 pound models; Left
	F8524804	Side Panel	40 pound models; Left; Stainless steel; all markets through December 7, 2021; T market models starting December 8, 2021; models with 0 in 5th position of serial number starting December 8, 2021
	F8524806	Side Panel	40 pound models; Left; Painted; All markets except T with 6 in 5th position of serial number starting December 8, 2021
	F8554204	Side Panel	60 pound models; Left
	F8554202	Side Panel	60 pound models; Left; Stainless steel; all markets through December 7, 2021; T market models starting December 8, 2021; models with 0 in 5th position of serial number starting December 8, 2021
	F8554206	Side Panel	60 pound models; Left; Painted; All markets except T with 6 in 5th position of serial number starting December 8, 2021
	2	F8502101	Pin
3	M412763	Rivet	
4	56079	Panel Locator	
5	F8524601	Side Panel	20 pound models; Right
	F8524603	Side Panel	20 pound models; Right; Stainless steel; all markets through December 7, 2021; T market models starting December 8, 2021; models with 0 in 5th position of serial number starting December 8, 2021
	F8525605	Side Panel	20 pound models; Right; Painted; All markets except T with 6 in 5th position of serial number starting December 8, 2021
	F8524701	Side Panel	30 pound models; Right
	F8524703	Side Panel	30 pound models; Right; Stainless steel; all markets through December 7, 2021; T market models starting December 8, 2021; models with 0 in 5th position of serial number starting December 8, 2021
	F8524705	Side Panel	30 pound models; Right; Painted; All markets except T with 6 in 5th position of serial number starting December 8, 2021
	F8524801	Side Panel	40 pound models; Right
	F8524803	Side Panel	40 pound models; Right; Stainless steel; all markets through December 7, 2021; T market models starting December 8, 2021; models with 0 in 5th position of serial number starting December 8, 2021
	F8524805	Side Panel	40 pound models; Right; Painted; All markets except T with 6 in 5th position of serial number starting December 8, 2021
	F8554203	Side Panel	60 pound models; Right
	F8554201	Side Panel	60 pound models; Right; Stainless steel; all markets through December 7, 2021; T market models starting December 8, 2021; models with 0 in 5th position of serial number starting December 8, 2021
F8554205	Side Panel	60 pound models; Right; Painted; All markets except T with 6 in 5th position of serial number starting December 8, 2021	
6	F8117601	Screw	
7	70030501	Expansion Clip	
8	M405535	Washer	
9	F8402801	Bolt	
10	44087201	Nut	

Door - 20 Pound Models - Design 4

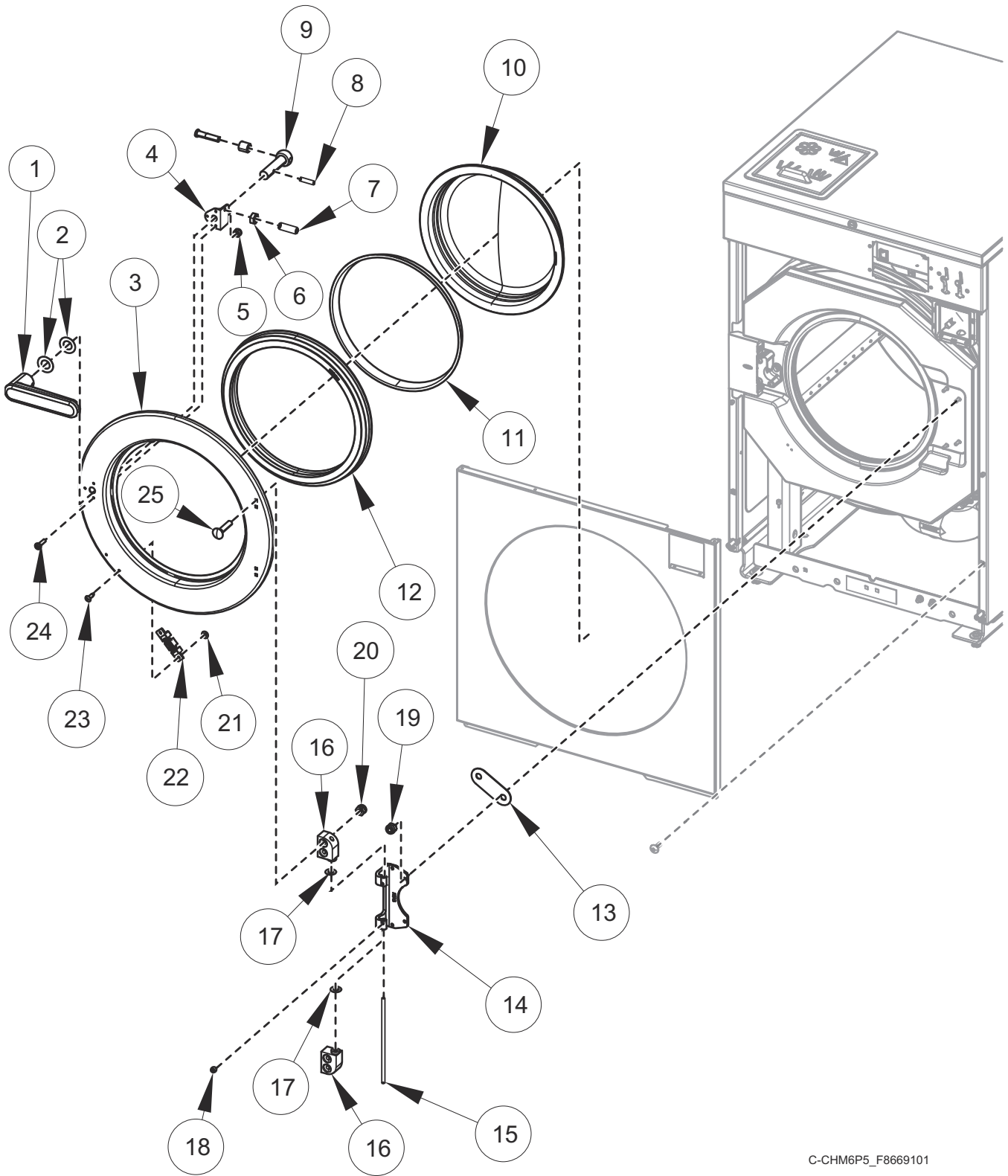


C-CHM6P5_F8669101

Door - 20 Pound Models - Design 4

REF	PART NO.	DESCRIPTION	COMMENTS
	F8617201	Door Assembly	Includes items 1-12, 14-18 and 20-25
	F8617202	Door Assembly	Chrome; Includes items 1-12, 14-18 and 20-25
1	F8199401P	Door Handle	Black
2	F431916	Washer	
3	F8507502	Door	
	F8507501P	Door	Chrome
4	F8567501	Door Handle Spacer Kit	Includes items 6 and 7
5	F430232	Nut	
6	F431041	Nut	
7	F430532	Screw	
8	F431222	Spring Pin	
9	F8221403	Door Latch Arm Assembly	Includes latch arm shaft, latch arm support and sleeve
10	F290205P	Door Glass Kit	
11	F8583201	Door Glass Trim	Black
12	F200000202	Door Gasket	
13	F200131000P	Door Hinge Shim Kit	
14	F190216P	Door Hinge	
15	F602813-2	Rod	
16	F150271	Door Mount	
17	F431929	Washer	Non-ferrous
	F431147	Washer	
18	F430536	Screw	
19	C001236	Nut	
20	F430215	Nut	
21	F431133	Washer	
22	F8390801	Magnet	
23	F431223	Pop Rivet	
24	F8535501	Screw	
25	F430974	Bolt	
	F8508101	Bolt	Chrome

Door - 20 Pound Models - Design 6 and 7

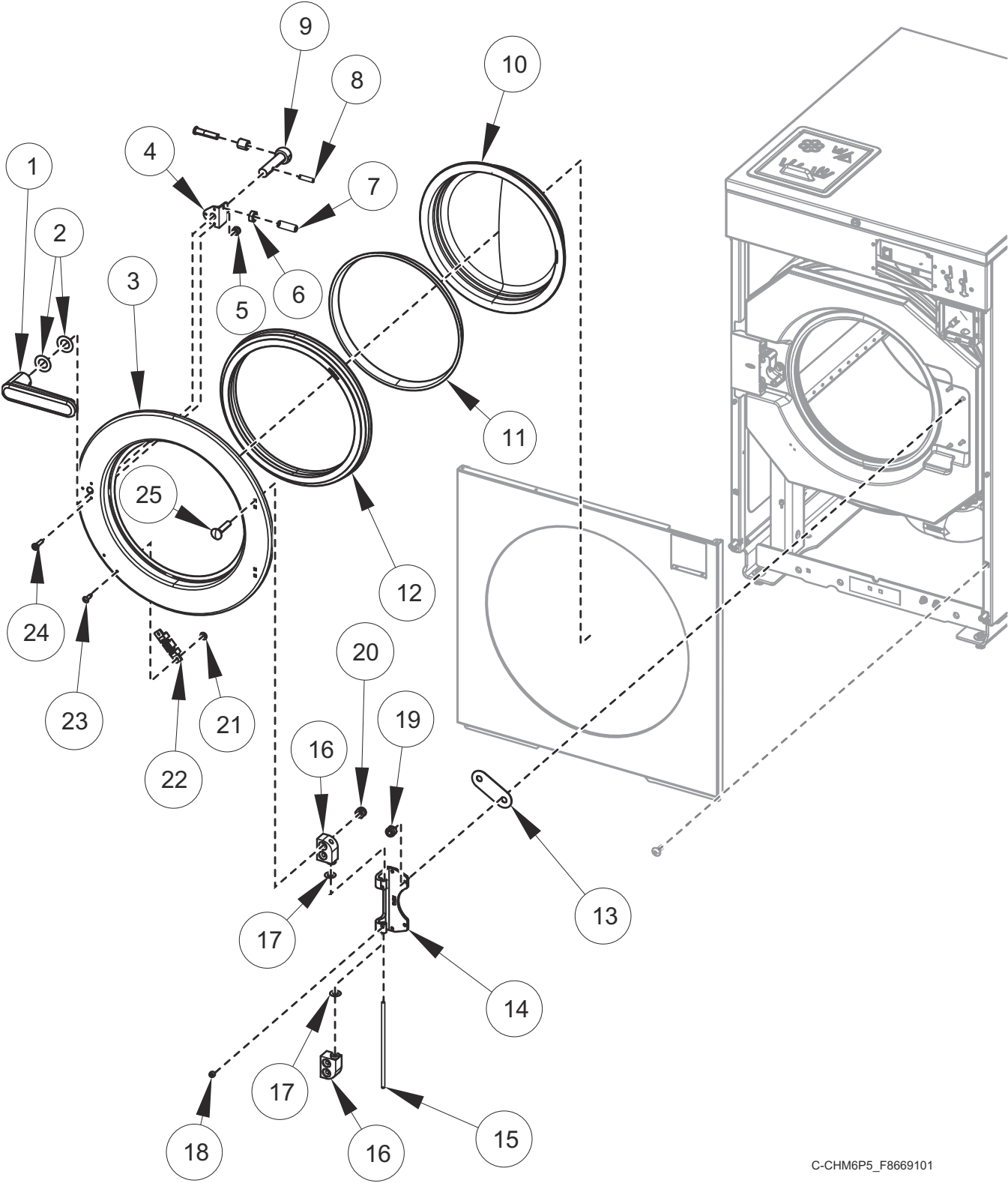


C-CHM6P5_F8669101

Door - 20 Pound Models - Design 6 and 7

REF	PART NO.	DESCRIPTION	COMMENTS
	F8617211	Door Assembly	Includes items 1-12, 14-18 and 20-25
	F8617212	Door Assembly	Chrome; Includes items 1-12, 14-18 and 20-25
1	F8624603	Door Handle	Black
2	F431916	Washer	
3	F8507502	Door	
	F8507501P	Door	Chrome
4	F8567501	Door Handle Spacer Kit	Includes items 6 and 7
5	F430232	Nut	
6	F431041	Nut	
7	F430532	Screw	
8	F431222	Spring Pin	
9	F8221403	Door Latch Arm Assembly	Includes latch arm shaft, latch arm support and sleeve
10	F290205P	Door Glass Kit	
11	F8583201	Door Glass Trim	Black
12	F200000202	Door Gasket	
13	F200131000P	Door Hinge Shim Kit	
14	F190216P	Door Hinge	
15	F602813-2	Rod	
16	F150271	Door Mount	
17	F431929	Washer	Non-ferrous
	F431147	Washer	
18	F430536	Screw	
19	C001236	Nut	
20	F430215	Nut	
21	F431133	Washer	
22	F8390801	Magnet	
23	F431223	Pop Rivet	
24	F8535501	Screw	
25	F430974	Bolt	
	F8508101	Bolt	Chrome

Door - 30 Pound Models - Design 4

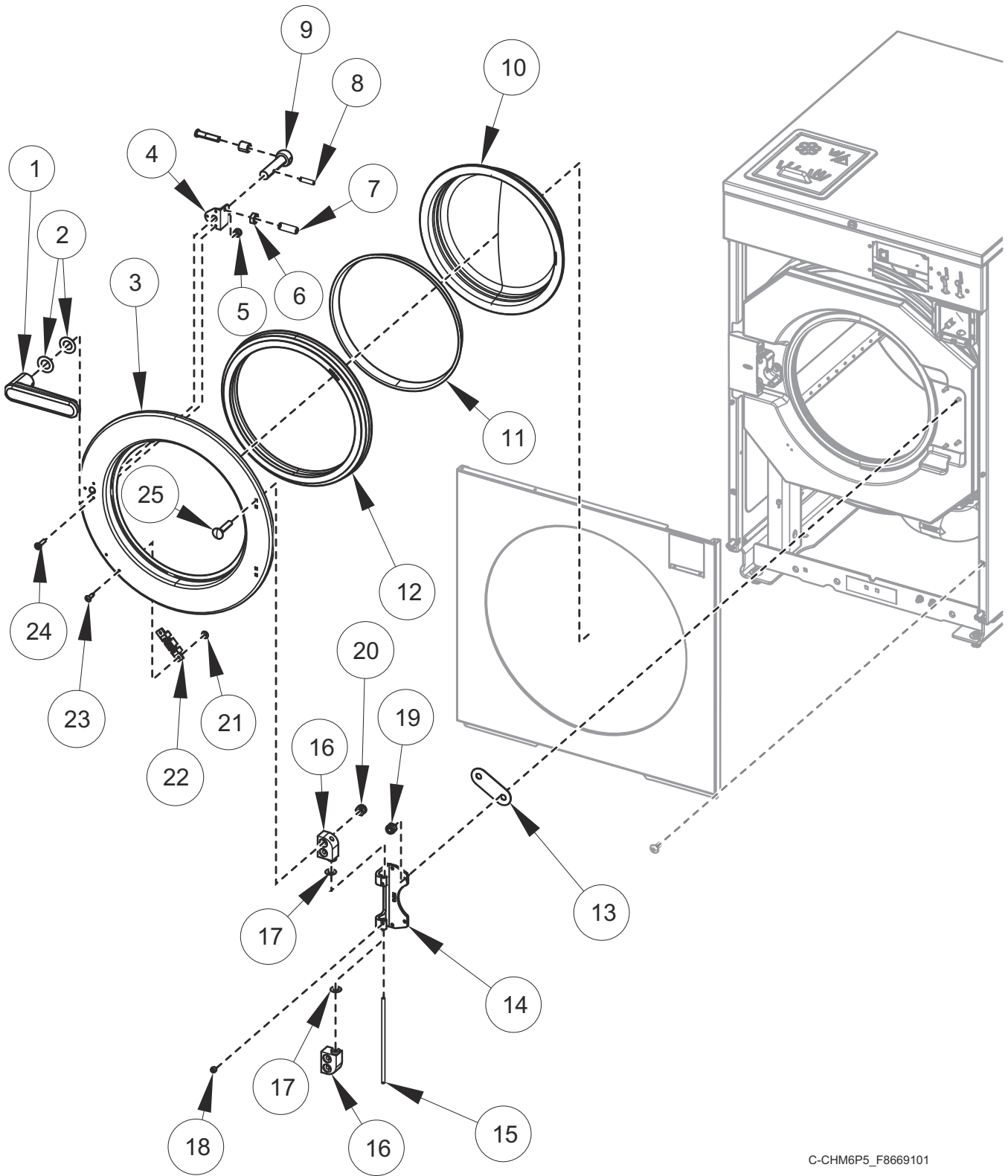


C-CHM6P5_F8669101

Door - 30 Pound Models - Design 4

REF	PART NO.	DESCRIPTION	COMMENTS
	F8617301	Door Assembly	Includes items 1-12, 14-18 and 20-25
	F8617302	Door Assembly	Chrome; Includes items 1-12, 14-18 and 20-25
1	F8199401P	Door Handle	Black
2	F431916	Washer	
3	F8507602	Door	
	F8752601	Door	Chrome
4	F8567501	Door Handle Spacer Kit	
5	F430232	Nut	
6	F431041	Nut	
7	F430533	Screw	
8	F431222	Spring Pin	
9	F8221403	Door Latch Arm Assembly	Includes latch arm shaft, latch arm support and sleeve
10	F8485301P	Door Glass	
11	F8583202	Door Glass Trim	Black
12	F8111602	Door Gasket	
13	F200131000P	Door Hinge Shim Kit	
14	F190216P	Door Hinge	
15	F602813-2	Rod	
16	F150271	Door Mount	
17	F431929	Washer	Non-ferrous
	F431147	Washer	
18	F430536	Screw	
19	C001236	Nut	
20	F430215	Nut	
21	F431133	Washer	
22	F8390801	Magnet	
23	F431223	Pop Rivet	
24	F8535501	Screw	
25	F430974	Bolt	
	F8508101	Bolt	Chrome

Door - 30 Pound Models - Design 6 and 7

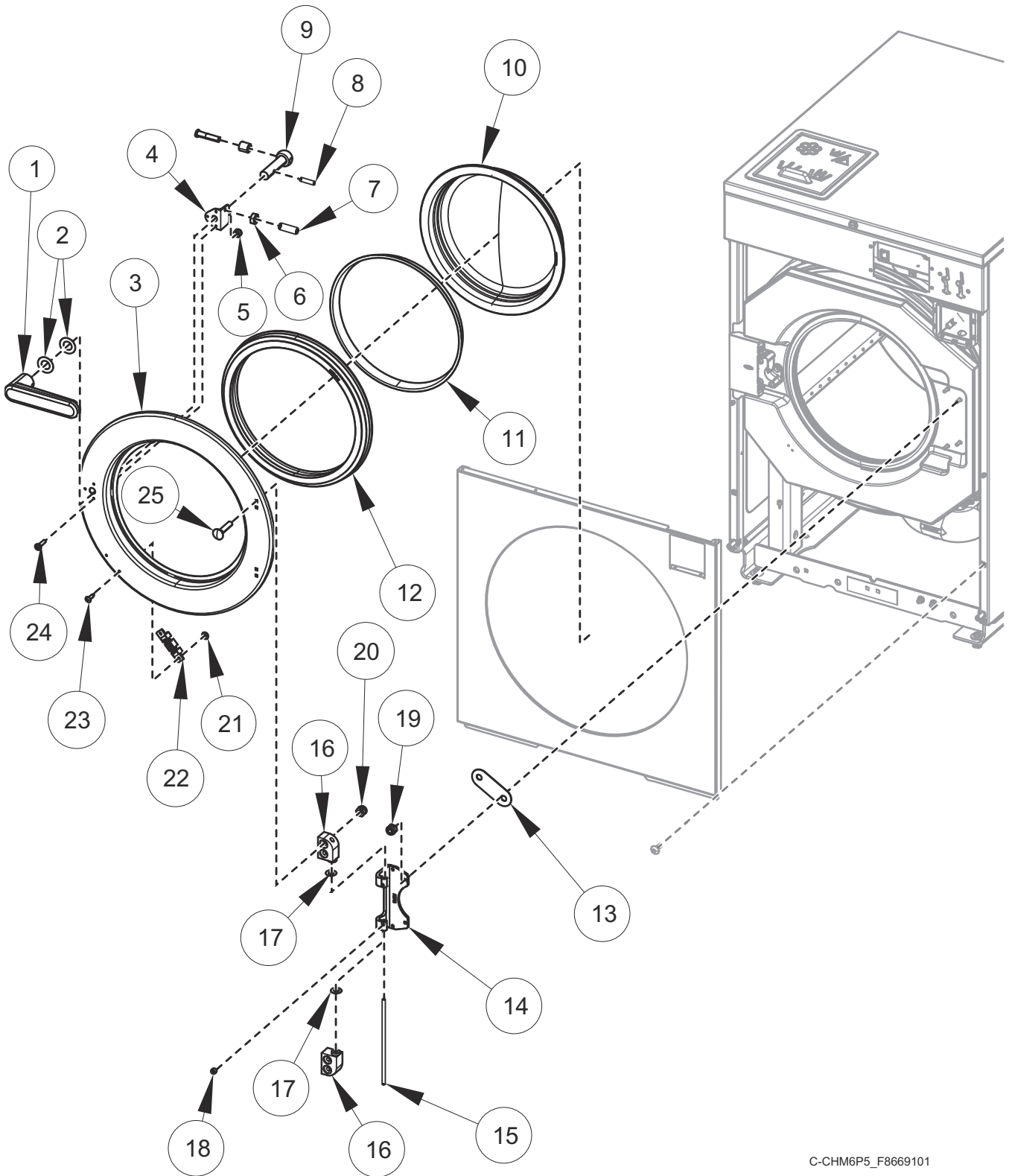


C-CHM6P5_F8669101

Door - 30 Pound Models - Design 6 and 7

REF	PART NO.	DESCRIPTION	COMMENTS
	F8617311	Door Assembly	Includes items 1-12, 14-18 and 20-25
	F8617312	Door Assembly	Chrome; Includes items 1-12, 14-18 and 20-25
1	F8624603	Door Handle	Black
2	F431916	Washer	
3	F8507602	Door	
	F8752601	Door	Chrome
4	F8567501	Door Handle Spacer Kit	
5	F430232	Nut	
6	F431041	Nut	
7	F430533	Screw	
8	F431222	Spring Pin	
9	F8221403	Door Latch Arm Assembly	Includes latch arm shaft, latch arm support and sleeve
10	F8485301P	Door Glass	
11	F8583202	Door Glass Trim	Black
12	F8111602	Door Gasket	
13	F200131000P	Door Hinge Shim Kit	
14	F190216P	Door Hinge	
15	F602813-2	Rod	
16	F150271	Door Mount	
17	F431929	Washer	Non-ferrous
	F431147	Washer	
18	F430536	Screw	
19	C001236	Nut	
20	F430215	Nut	
21	F431133	Washer	
22	F8390801	Magnet	
23	F431223	Pop Rivet	
24	F8535501	Screw	
25	F430974	Bolt	
	F8508101	Bolt	Chrome

Door - 40 and 60 Pound Models - Design 4

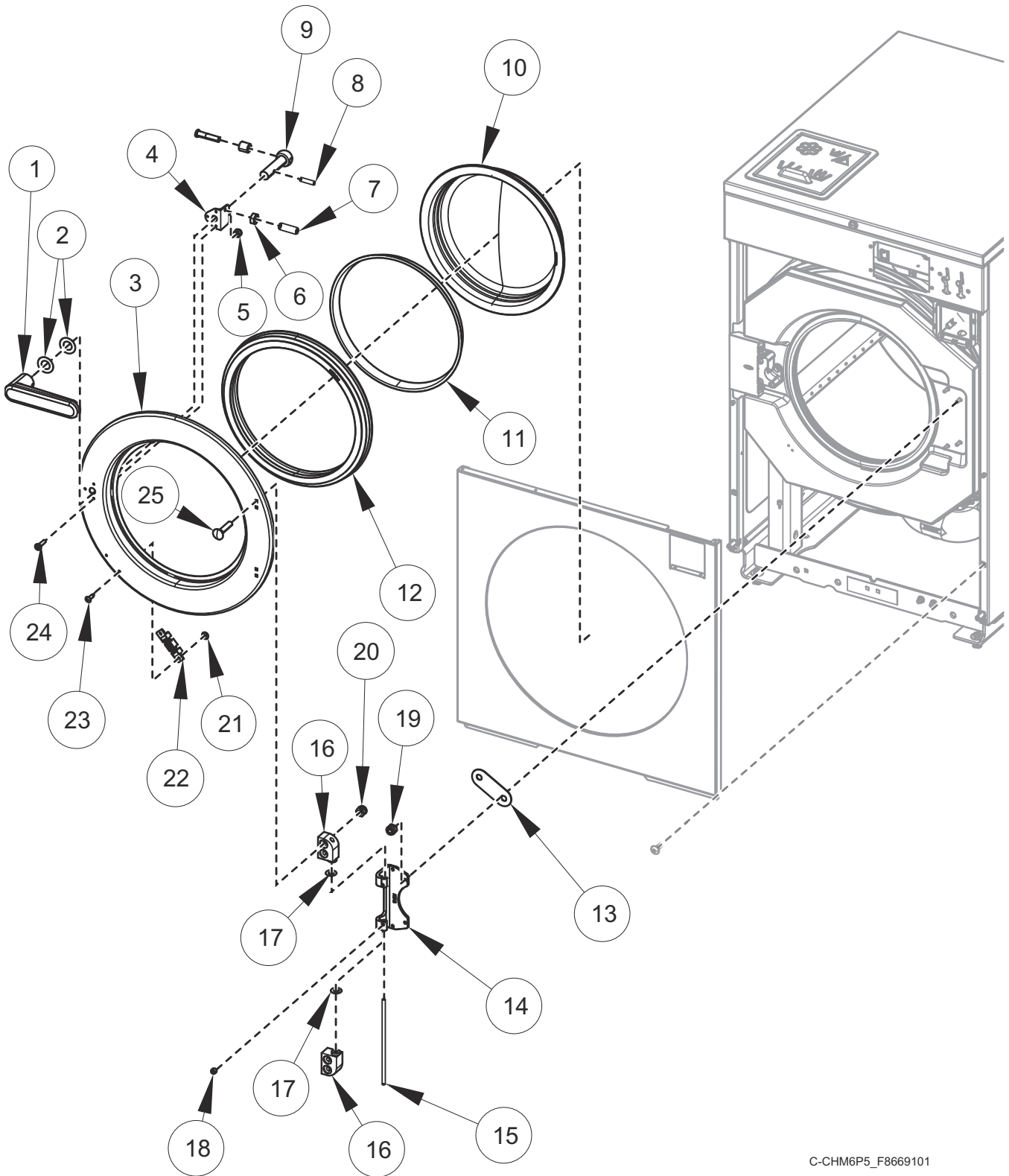


C-CHM6P5_F8669101

Door - 40 and 60 Pound Models - Design 4

REF	PART NO.	DESCRIPTION	COMMENTS
	F8617401	Door Assembly	Includes items 1-12, 14-18 and 20-25
	F8617402	Door Assembly	Chrome; Includes items 1-12, 14-18 and 20-25
1	F8199401P	Door Handle	Black
2	F431916	Washer	
3	F8507702	Door	
	F8507701	Door	Chrome
4	F8567501	Door Handle Spacer Kit	
5	F430232	Nut	
6	F431041	Nut	
7	F430533	Screw	
8	F431222	Spring Pin	
9	F8221403	Door Latch Arm Assembly	Includes latch arm shaft, latch arm support and sleeve
10	F8485401P	Door Glass	
11	F8583203	Door Glass Trim	Black
12	F8111502	Door Gasket	
13	F200131000P	Door Hinge Shim Kit	
14	F190216P	Door Hinge	
15	F602813-3	Rod	
16	F150271	Door Mount	
17	F431929	Washer	Non-ferrous
	F431147	Washer	
18	F430536	Screw	
19	C001236	Nut	
20	F430215	Nut	
21	F431133	Washer	
22	F8390801	Magnet	
23	F431223	Pop Rivet	
24	F8535501	Screw	
25	F430974	Bolt	
	F8508101	Bolt	Chrome

Door - 40 and 60 Pound Models - Design 6 and 7

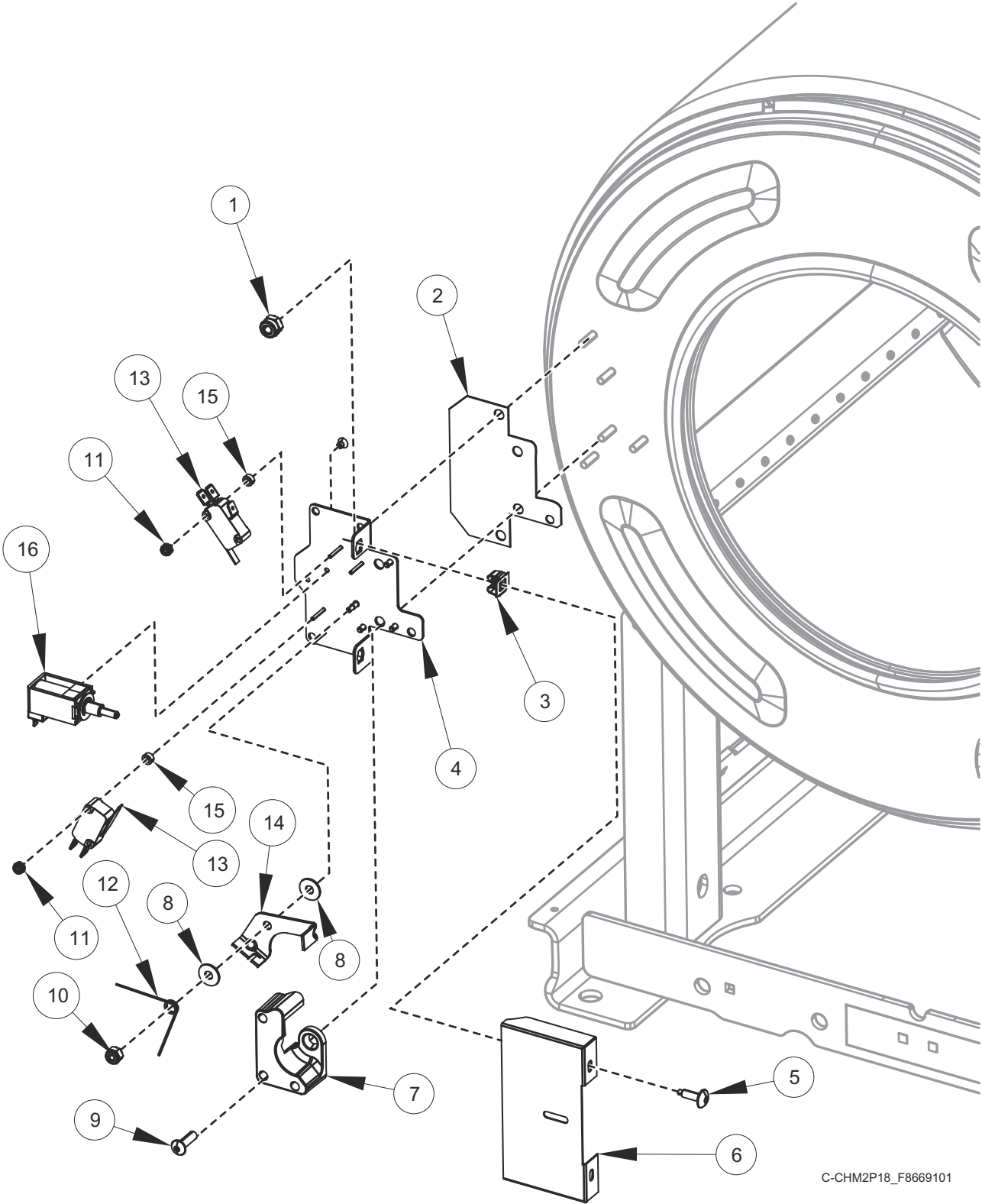


C-CHM6P5_F8669101

Door - 40 and 60 Pound Models - Design 6 and 7

REF	PART NO.	DESCRIPTION	COMMENTS
	F8617411	Door Assembly	Includes items 1-12, 14-18 and 20-25
	F8617412	Door Assembly	Chrome; Includes items 1-12, 14-18 and 20-25
1	F8624603	Door Handle	Chrome
2	F431916	Washer	
3	F8507702	Door	
	F8507701	Door	Chrome
4	F8567501	Door Handle Spacer Kit	
5	F430232	Nut	
6	F431041	Nut	
7	F430533	Screw	
8	F431222	Spring Pin	
9	F8221403	Door Latch Arm Assembly	Includes latch arm shaft, latch arm support and sleeve
10	F8485401P	Door Glass	
11	F8583203	Door Glass Trim	Black
12	F8111502	Door Gasket	
13	F200131000P	Door Hinge Shim Kit	
14	F190216P	Door Hinge	
15	F602813-3	Rod	
16	F150271	Door Mount	
17	F431929	Washer	Non-ferrous
	F431147	Washer	
18	F430536	Screw	
19	C001236	Nut	
20	F430215	Nut	
21	F431133	Washer	
22	F8390801	Magnet	
23	F431223	Pop Rivet	
24	F8535501	Screw	
25	F430974	Bolt	
	F8508101	Bolt	Chrome

Door Lock

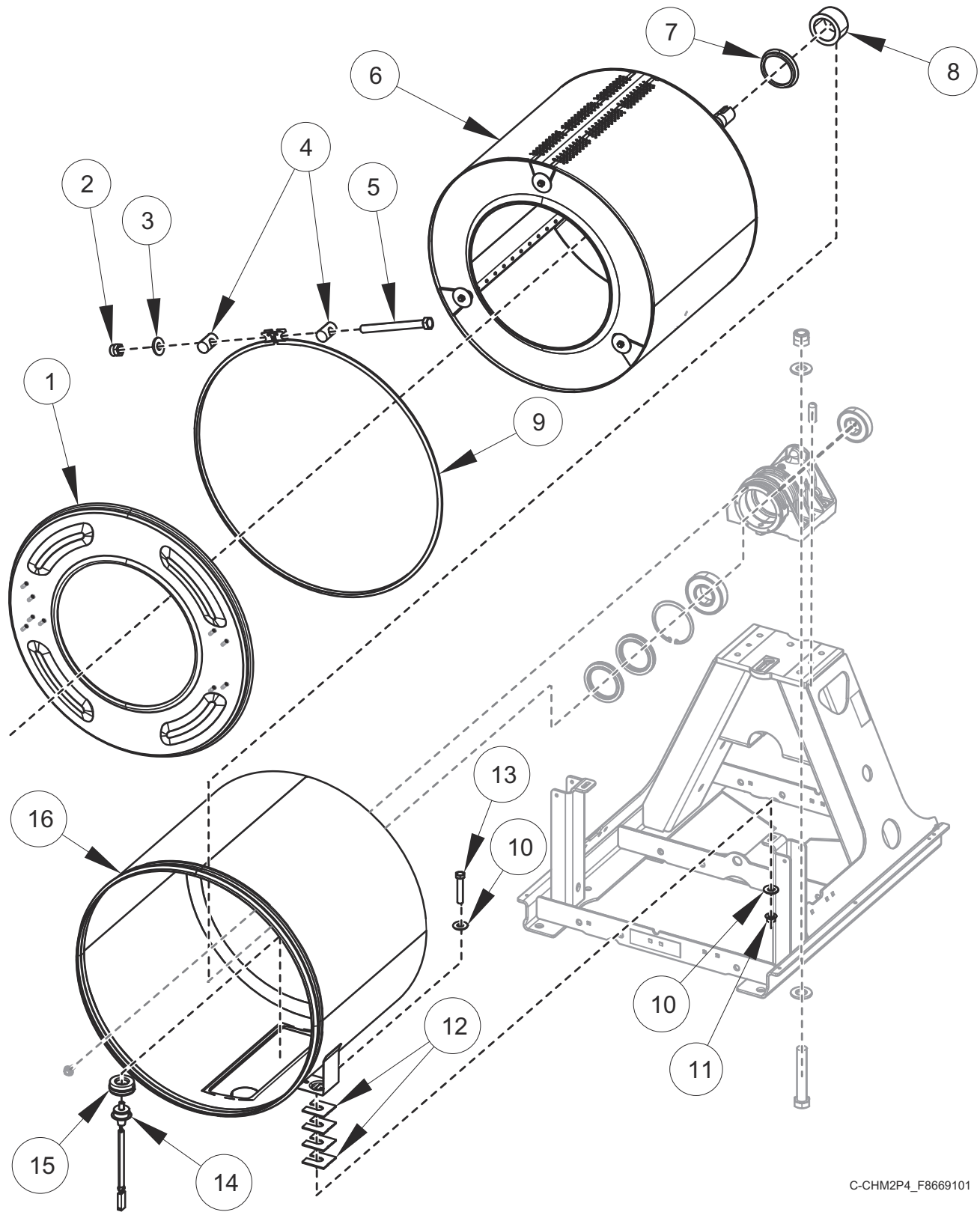


C-CHM2P18_F8669101

Door Lock

REF	PART NO.	DESCRIPTION	COMMENTS
	F8632401	Door Lock Assembly	Includes items 3, 4 and 10-16
	F8520201	Door Lock Harness	20 and 30 pound models
	F8520202	Door Lock Harness	40 and 60 pound models
	F8066804	Reed Switch Assembly	
1	F431024	Nut	
2	F8344401	Door Lock Plate Shim	
3	70030501	Expansion Clip	
4	F8223202	Door Lock Plate Assembly	
5	F8117601	Screw	
6	F8245001	Door Lock Cover	
7	F8344501	Door Lock Catch	
8	F8193101	Washer	
9	F8270701	Bolt	
10	F430232	Nut	
11	F430225	Nut	
12	F8070301	Torsion/Door Lock Spring	
13	F200203200	Door Lock Microswitch	
14	F8223401	Door Lock Switch Lever	
15	F431901	Spacer	
16	F977P3	Door Lock Solenoid Replacement Kit	

Shell Front, Basket, Shell and Frame Template

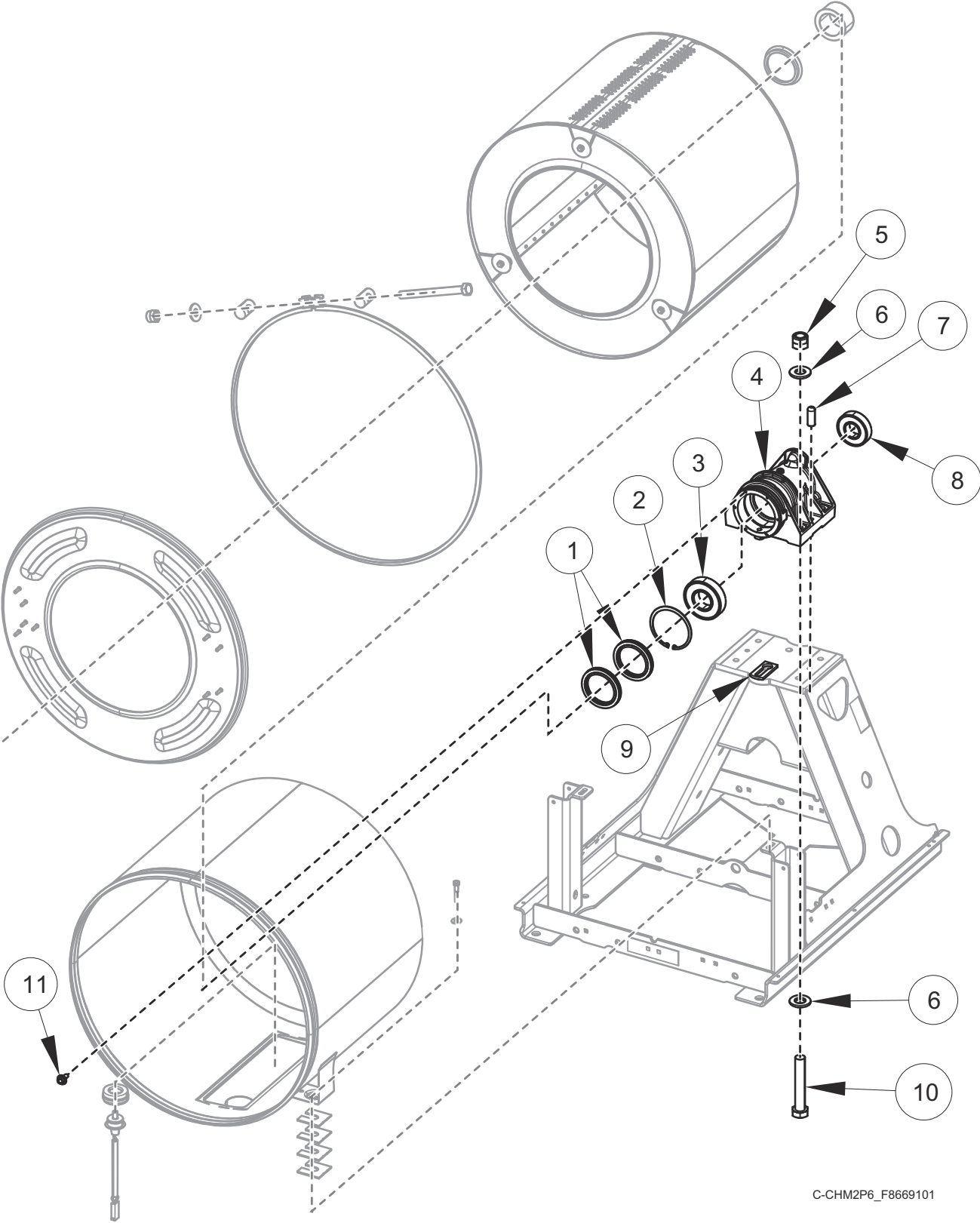


C-CHM2P4_F8669101

Shell Front, Basket, Shell and Frame Template

REF	PART NO.	DESCRIPTION	COMMENTS
	F8598301	Harness	Thermistor; 20 and 30 pound models
	F8598302	Harness	Thermistor; 40 and 60 pound models
1	F8222301	Shell Front	20 pound models
	F8222401	Shell Front	30 pound models
	F8222501	Shell Front	40 pound models
	F8222601	Shell Front	60 pound models
2	F430218	Nut	
3	M400080	Washer	
4	F8302701	Pin	
5	F8673701	Screw	
6	F8391304	Basket	20 pound models; Viton
	F8391302	Basket	20 pound models; Rain
	F8391504	Basket	30 pound models; Viton
	F8391502	Basket	30 pound models; Rain
	F8391704	Basket	40 pound models; Viton
	F8391702	Basket	40 pound models; Rain
	F8502805	Basket	60 pound models; Viton
	F8502802	Basket	60 pound models; Rain
7	F8337002	Excluder Seal	
8	F8343906P	Shaft Seal Sleeve Kit	
9	F8537801	Shell Band Kit	20 pound models; Includes items 2-5
	F8537802	Shell Band Kit	30 pound models; Includes items 2-5
	F8537803	Shell Band Kit	40 pound models; Includes items 2-5
	F8537804	Shell Band Kit	60 pound models; Includes items 2-5
10	M400081	Washer	
11	44087301	Nut	
12	F8402701	Washer	
13	F8621601	Screw	
14	F8538801	Thermistor	
15	2251000400	Temperature Probe Grommet	
16	F8512102	Shell	20 pound models; Electric and dual heat
	F8514002	Shell	30 pound models; Electric and dual heat
	F8512202	Shell	40 pound models; Electric and dual heat
	F8543702	Shell	60 pound models; Electric and dual heat
	F8512202	Shell	40 pound models; Steam Heat
	F8543702	Shell	60 pound models; Steam Heat
	F8512101	Shell	20 pound models; Standard
	F8514001	Shell	30 pound models; Standard
	F8512201	Shell	40 pound models; Standard
	F8543701	Shell	60 pound models; Standard

Bearing Housing

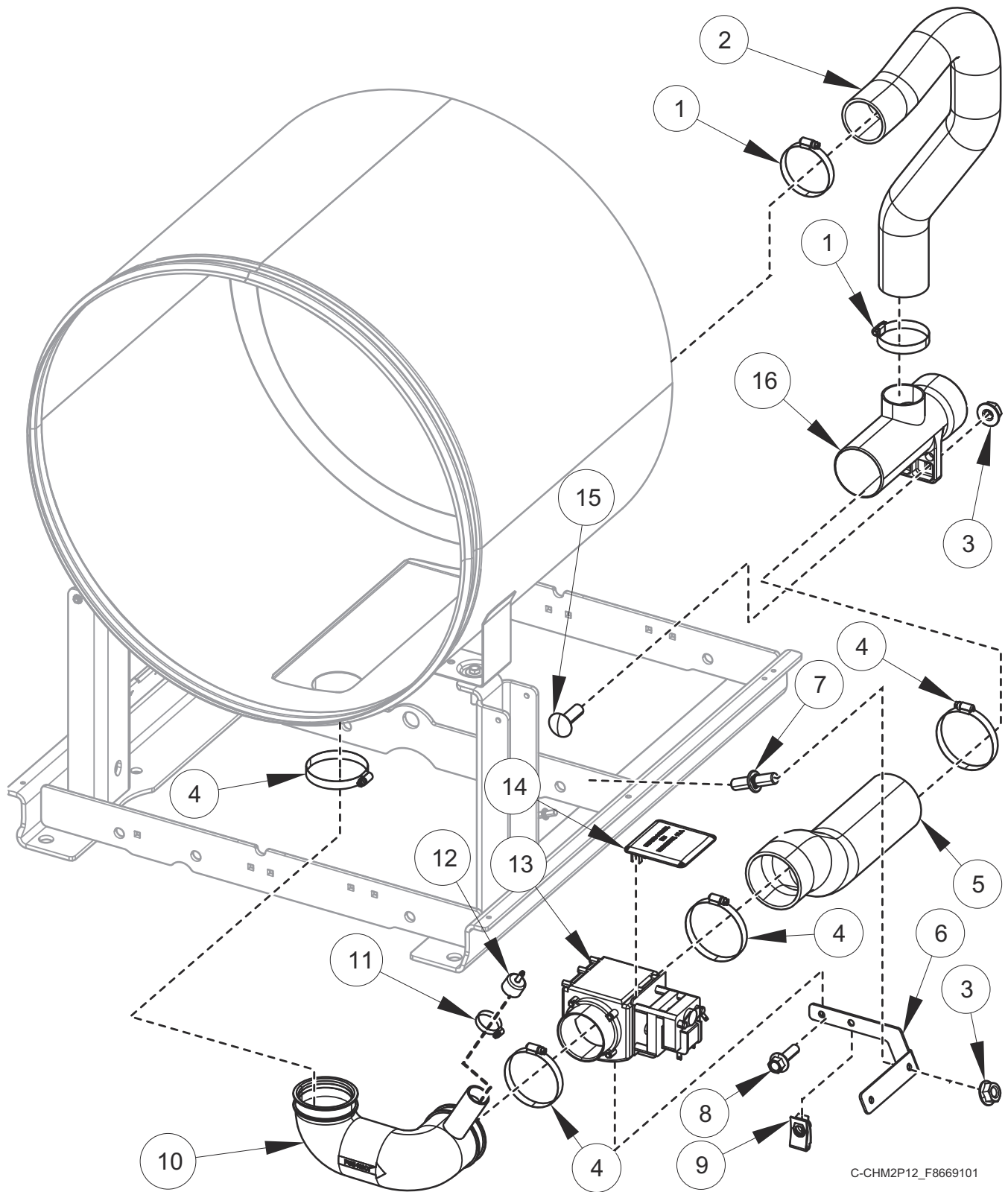


C-CHM2P6_F8669101

Bearing Housing

REF	PART NO.	DESCRIPTION	COMMENTS
	F8271601P	Bearing Housing Assembly	20 pound models; Includes items 1-4 and 8; Standard
	F8271602	Bearing Housing Assembly	20 pound models; Includes items 1-4 and 8; Viton
	F8271701P	Bearing Housing Assembly	30 pound models; Includes items 1-4 and 8; Standard
	F8271702	Bearing Housing Assembly	30 pound models; Includes items 1-4 and 8; Viton
	F8271801P	Bearing Housing Assembly	40 pound models; Includes items 1-4 and 8; Standard
	F8271802	Bearing Housing Assembly	40 pound models; Includes items 1-4 and 8; Viton
	F8271901P	Bearing Housing Assembly	60 pound models; Includes items 1-4 and 8; Standard
	F8271902	Bearing Housing Assembly	60 pound models; Includes items 1-4 and 8; Viton
1	F8203801	Triple Lip Seal	20 pound models; Standard
	F8203813	Triple Lip Seal	20 pound models; Viton
	F8203802	Triple Lip Seal	30 pound models; Standard
	F8203814	Triple Lip Seal	30 pound models; Viton
	F8203803	Triple Lip Seal	40 pound models; Standard
	F8203815	Triple Lip Seal	40 pound models; Viton
	F8203806	Triple Lip Seal	60 pound models; Standard
	F8203816	Radial Lip Seal	60 pound models; Viton
2	F8344901	Retaining Ring	20 pound models
	F8345001	Retaining Ring	30 pound models
	F8337801	Retaining Ring	40 pound models
	F8337901	Retaining Ring	60 pound models
3	F100137P	Bearing	20 and 40 pound models
	F100123P	Bearing	30 pound models
	F100135	Bearing	60 pound models
4	F8247902	Bearing Housing	20 pound models
	F8246802	Bearing Housing	30 pound models
	F8249902	Bearing Housing	40 pound models
	F8250902	Bearing Housing	60 pound models
5	F8387701	Nut	
6	F430339	Washer	
7	F8388201	Dowel Pin	
8	F100136P	Bearing	20 pound models
	F100108	Bearing	30 pound models
	F100134	Bearing	40 and 60 pound models
9	F8350302	Seal Scupper Pad	
10	F8368801	Screw	
11	F8442702	Screw	

Drain Plumbing

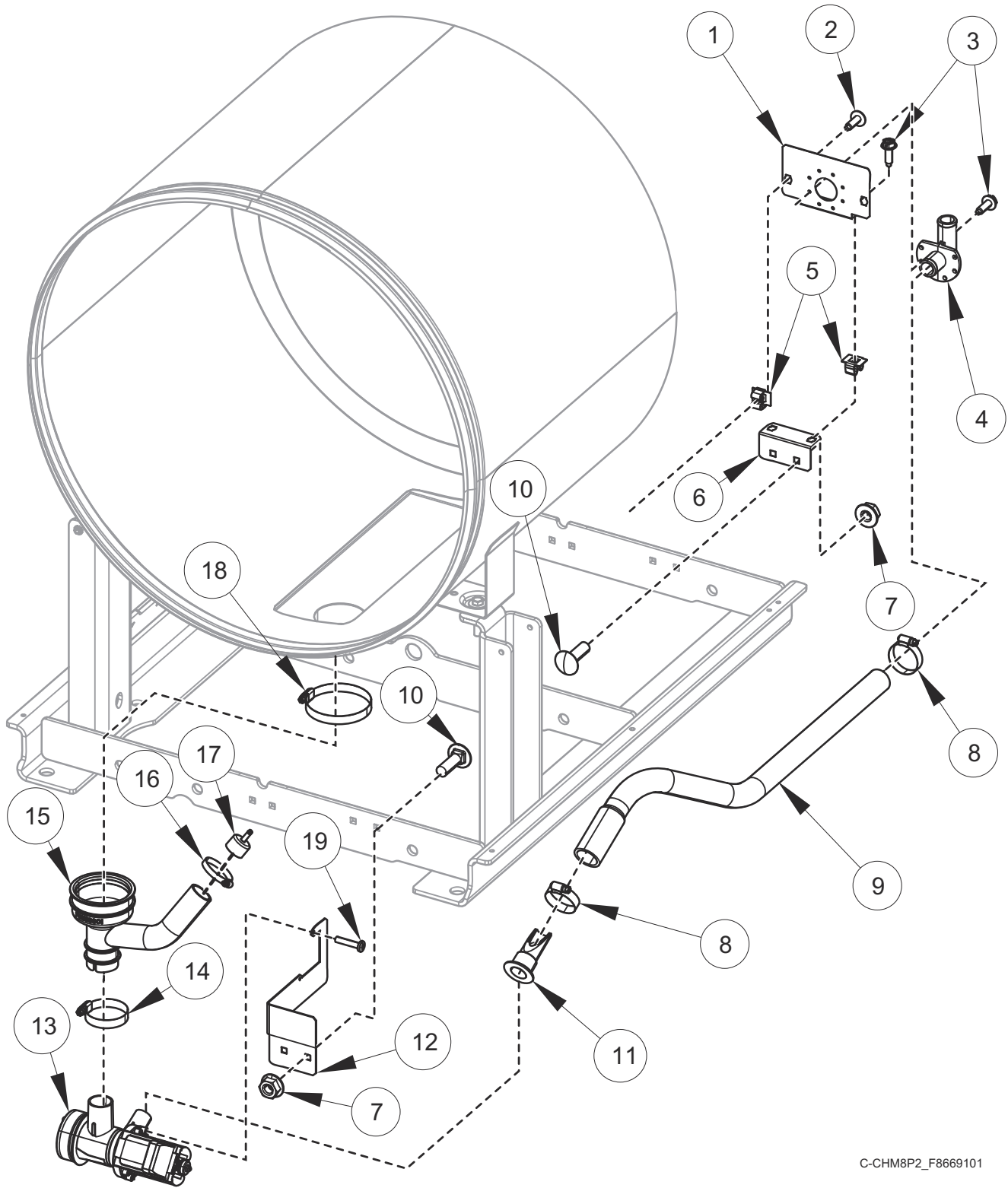


C-CHM2P12_F8669101

Drain Plumbing

REF	PART NO.	DESCRIPTION	COMMENTS
	F8520001	Drain Valve Harness	20 and 30 pound models
	F8520002	Drain Valve Harness	40 and 60 pound models
	F200165100	Drain Hose	
1	F200213	Hose Clamp	
2	F8522401	Overflow Hose	20 pound models
	F8521201	Overflow Hose	30 pound models
	F8522501	Overflow Hose	40 and 60 pound models
3	44087201	Nut	
4	F200201	Hose Clamp	
5	F8587301	Rear Drain Hose	20 pound models
	F8543001	Rear Drain Hose	30 pound models
	F8543201	Rear Drain Hose	40 pound models
	F8543501	Rear Drain Hose	60 pound models
6	F8587701	Drain Valve Bracket	20 pound models
	F8543101	Drain Valve Bracket	30 pound models
	F8543301	Drain Valve Bracket	40 pound models
	F8543401	Drain Valve Bracket	60 pound models
7	70334702	Stud	
8	202175	Screw	
9	70030401	Nut	
10	F8542002	Drain Hose	20 pound models
	F8541901	Drain Hose	30, 40 and 60 pound models
	F8542001	Drain Hose	40 and 60 pound models; Steam and electric heat
11	36802	Hose Clamp	
12	F8579301	Pressure Cap	
13	F200166302	Drain Valve Kit	3 inch; 120 Volt; Left; NO; Includes item 14
	F8406308	Drain Valve	3 inch; 120 Volt; Right; NO
	F200166402	Drain Valve Kit	3 inch; 230 Volt; Left; NO; Includes item 14
	F8577201	Drain Valve Kit	3 inch; 230 Volt; Right; NO; Includes item 14
14	F200133600	Drain Valve Cover	
15	F8402801	Bolt	
16	F8752101	Drain Tee	

Pump Drain Plumbing - 20, 30 and 40 Pound Models

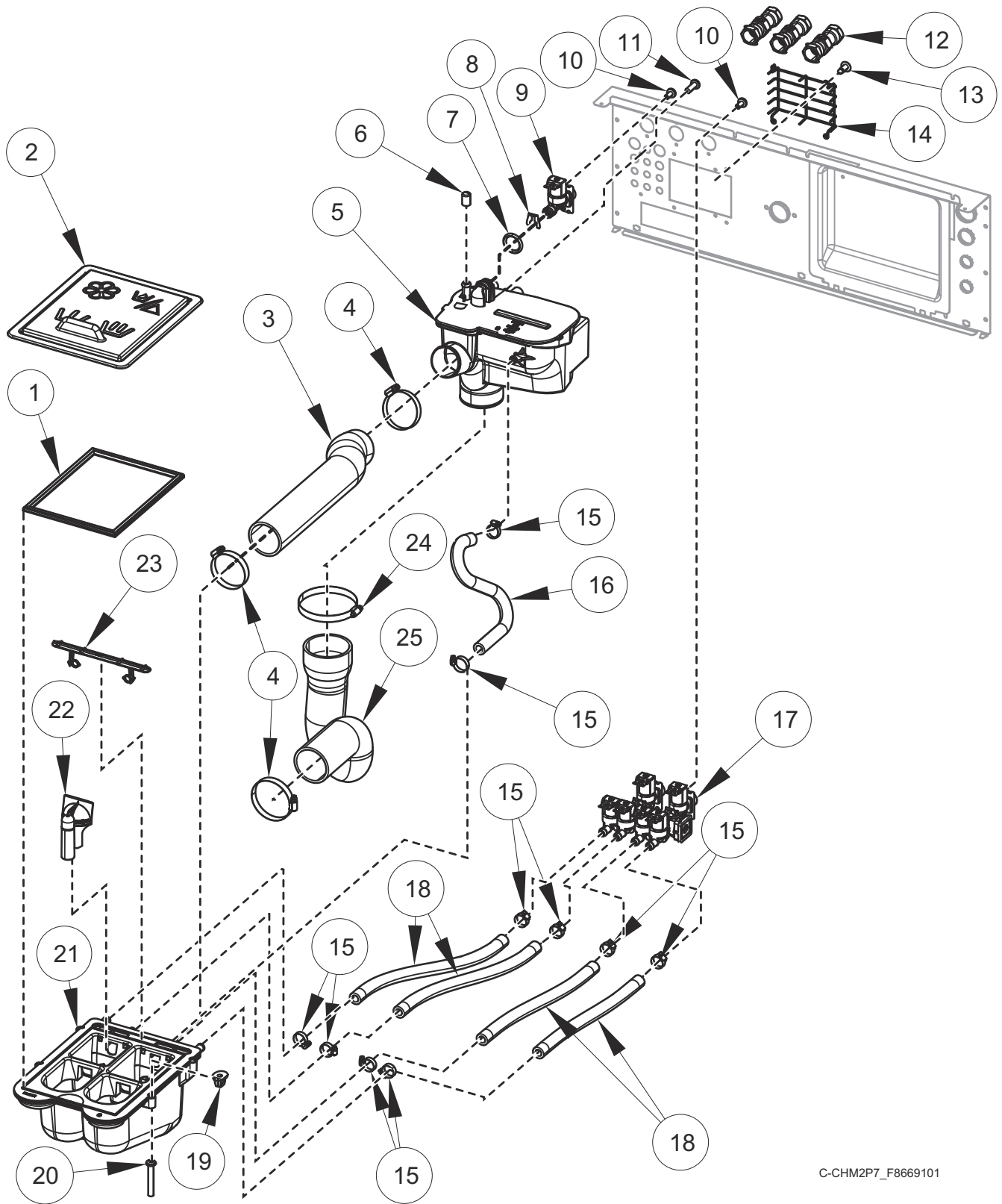


C-CHM8P2_F8669101

Pump Drain Plumbing - 20, 30 and 40 Pound Models

REF	PART NO.	DESCRIPTION	COMMENTS
	27154	Drain Hose	Hose to standpipe
	F150352	Overflow Plug	20 pound models
	F8520001	Drain Valve Harness	20 and 30 pound models
	F8520002	Drain Valve Harness	40 pound models
	F8749401	Pump Drain Conversion Kit	20 pound T market models with V, N, or W in the 7th position; B voltage
	F8749403	Pump Drain Conversion Kit	20 pound T market models with V, N, or W in the 7th position; Y voltage
	F8749404	Pump Drain Conversion Kit	30 pound T market models with V, N, or W in the 7th position; B voltage
	F8749406	Pump Drain Conversion Kit	30 pound T market models with V, N, or W in the 7th position; Y voltage
	F8749407	Pump Drain Conversion Kit	40 pound T market models with V, N, or W in the 7th position; B voltage
	F8749409	Pump Drain Conversion Kit	40 pound T market models with V, N, or W in the 7th position; Y voltage
1	F8571301	Bracket	Upper; Elbow mount
2	F8117601	Screw	
3	F8206901	Screw	
4	35766	Drain Hose Elbow	
5	70030501	Expansion Clip	
6	F8571401	Bracket	Lower; Elbow mount
7	44087201	Nut	
8	F200204	Hose Clamp	
9	F8537001	Pump Drain Rear Hose	20 pound models
	F8557001	Pump Drain Rear Hose	30 pound models
	F8557201	Pump Drain Rear Hose	40 pound models
10	F8402801	Bolt	
11	800310	Backflow Preventer	
12	F8536901	Pump Drain Bracket	20 pound models
	F8557101	Pump Drain Bracket	30 pound models
	F8557301	Pump Drain Bracket	40 pound models
13	805723	Pump Drain and Bracket Assembly	120 Volt/60 Hertz; Green
	805613	Pump Drain and Bracket Assembly	208-240 Volt/60 Hertz; Red
	804038	Pump Drain and Bracket Assembly	220-240 Volt/50 Hertz; Blue
14	F200215	Hose Clamp	
15	F8556601	Pump Drain Hose	
16	36802	Hose Clamp	
17	F8579301	Pressure Cap	
18	F200219	Hose Clamp	
19	F8658501	Screw	

Fill Plumbing - 20 Pound Models

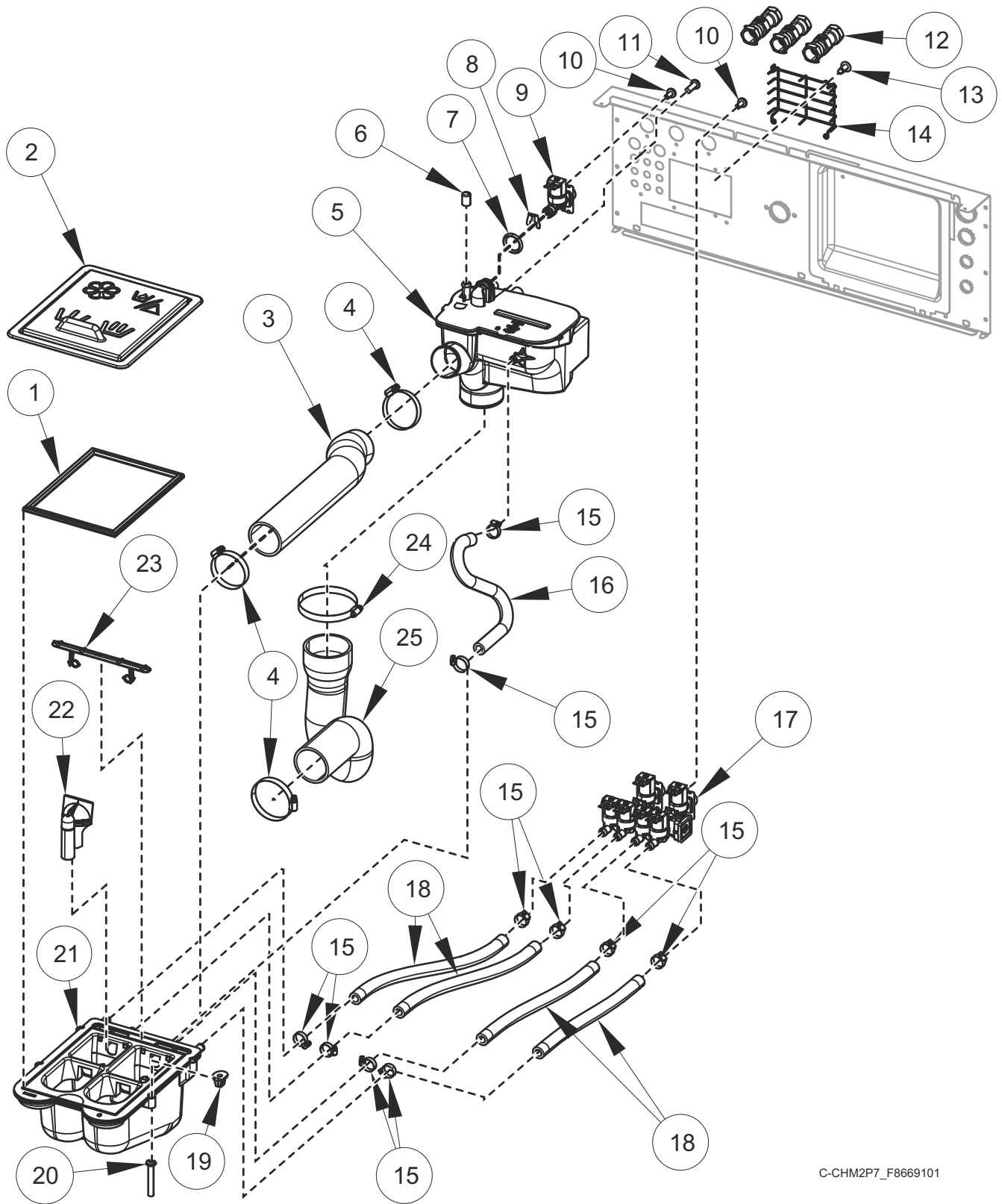


C-CHM2P7_F8669101

Fill Plumbing - 20 Pound Models

REF	PART NO.	DESCRIPTION	COMMENTS
	F8047403	Dispenser	Includes Items 21-23
	F8520101	Fill Valve Harness	
	F8665601	Water Hose Kit	Standard thread; Red (hot); Includes 20290 Washer and 803615 Washer Filter
	F8665603	Water Hose Kit	Standard thread; Blue (cold); Includes 20290 Washer and 803615 Washer Filter
	F8665602	Water Hose Kit	Metric thread; Red (hot); Includes 20290 Washer and 803615 Washer Filter
	F8665604	Water Hose Kit	Metric thread; Blue (cold); Includes 20290 Washer and 803615 Washer Filter
	F8671201	Fill Hose Kit	WRAS; Includes item 12 and F8665602 Water Hose Kit
	F8671202	Fill Hose Kit	WRAS; Includes item 12 and F8665604 Water Hose Kit
	F8671101	Fill Hose Kit	Australian watermark; Includes F8665602 Water Hose Kit and B12543901 Check Valve
	F8671102	Fill Hose Kit	Australian watermark; Includes F8665604 Water Hose Kit and B12543901 Check Valve
1	B12568601	Dispenser Gasket	
2	F8563204	Dispenser Cover	Black; Icons and text
	F8563203	Dispenser Cover	Gray; Icons and text
	F8563202	Dispenser Cover	Black; Icons
	F8563201	Dispenser Cover	Gray; Icons
3	F8529401	Supply Vacuum Hose	
4	F200213	Hose Clamp	
5	F8517503	Vacuum Breaker Assembly	With inlet and fill
	F8517502	Vacuum Breaker Assembly	With inlet
	F8517501	Vacuum Breaker Assembly	With fill
	F8517504	Vacuum Breaker Assembly	
6	F8197701	Cap	WRAS
7	F8569101	O-Ring	
8	F8566801	Clip	
9	F8565201	Valve	Standard
	F8565202	Valve	Metric
10	F8230301	Screw	
11	800548	Screw	
12	F8301201	Double Check Valve	WRAS
13	70058501	Pop Rivet	
14	F8589601	Vacuum Breaker Guard	
15	36801	Hose Clamp	
16	F8616401	Rear Vent Hose	
17	F8529701	Manifold Valve	Standard
	F8529702P	Manifold Valve	Metric
18	F8232007	Hose	
19	F0431807-00	Nut	
20	F8535601	Screw	
21	F8437902	Dispenser Weldment	
22	F8047901	Siphon Cover	
23	F8047801	Access Cover	
24	F200201	Hose Clamp	
25	F8529601	P-Trap Hose	

Fill Plumbing - 30 Pound Models

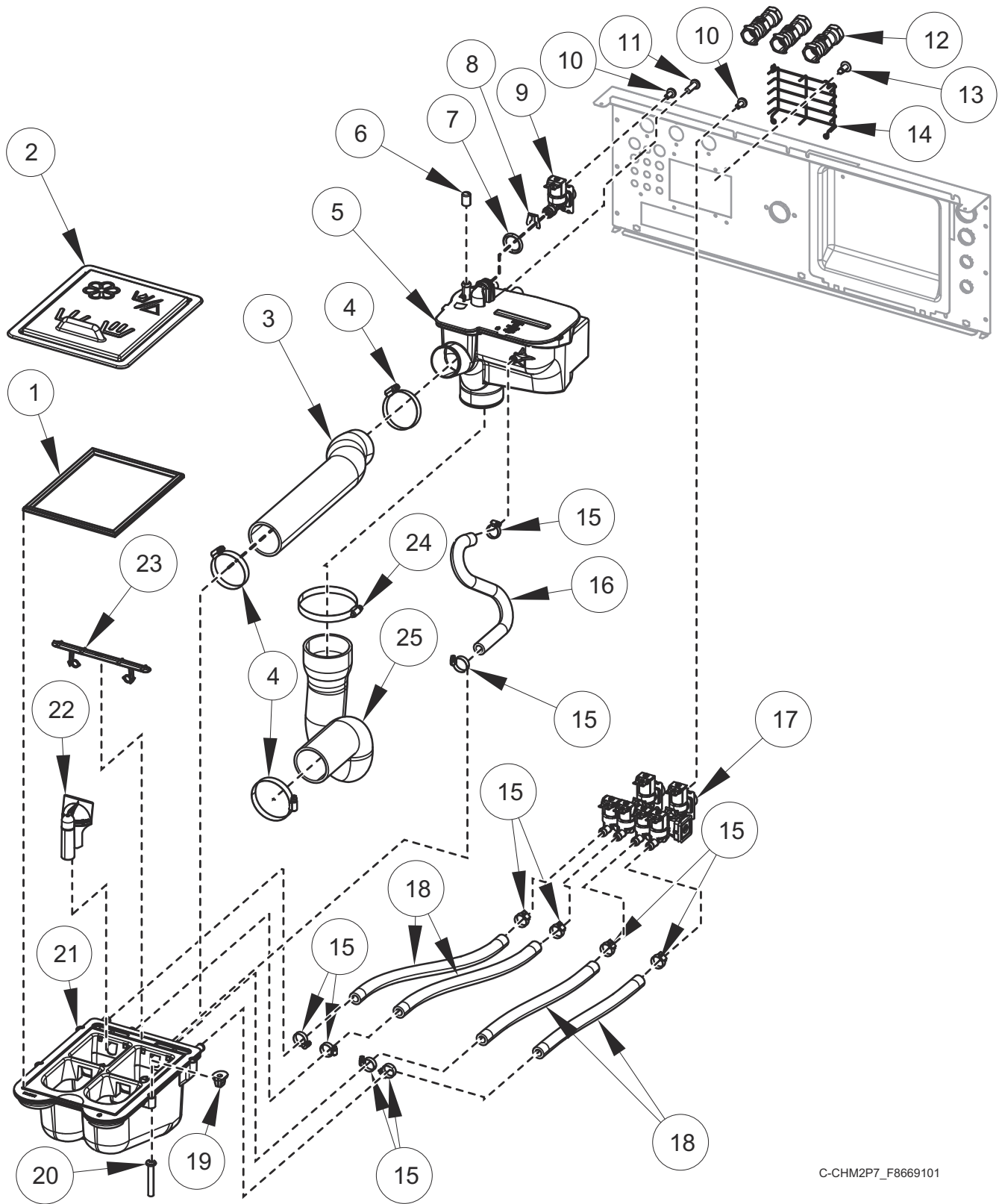


C-CHM2P7_F8669101

Fill Plumbing - 30 Pound Models

REF	PART NO.	DESCRIPTION	COMMENTS
	F8047403	Dispenser	Includes Items 21-23
	F8520101	Fill Valve Harness	
	F8665601	Water Hose Kit	Standard thread; Red (hot); Includes 20290 Washer and 803615 Washer Filter
	F8665603	Water Hose Kit	Standard thread; Blue (cold); Includes 20290 Washer and 803615 Washer Filter
	F8665602	Water Hose Kit	Metric thread; Red (hot); Includes 20290 Washer and 803615 Washer Filter
	F8665604	Water Hose Kit	Metric thread; Blue (cold); Includes 20290 Washer and 803615 Washer Filter
	F8671201	Fill Hose Kit	WRAS; Includes item 12 and F8665602 Water Hose Kit
	F8671202	Fill Hose Kit	WRAS; Includes item 12 and F8665604 Water Hose Kit
	F8671101	Fill Hose Kit	Australian watermark; Includes F8665602 Water Hose Kit and B12543901 Check Valve
	F8671102	Fill Hose Kit	Australian watermark; Includes F8665604 Water Hose Kit and B12543901 Check Valve
1	B12568601	Dispenser Gasket	
2	F8563204	Dispenser Cover	Black; Icons and text
	F8563203	Dispenser Cover	Gray; Icons and text
	F8563202	Dispenser Cover	Black; Icons
	F8563201	Dispenser Cover	Gray; Icons
3	F8529402	Supply Vacuum Hose	
4	F200213	Hose Clamp	
5	F8517503	Vacuum Breaker Assembly	With inlet and fill
	F8517502	Vacuum Breaker Assembly	With inlet
	F8517501	Vacuum Breaker Assembly	With fill
	F8517504	Vacuum Breaker Assembly	
6	F8197701	Cap	WRAS
7	F8569101	O-Ring	
8	F8566801	Clip	
9	F8565201	Valve	Standard
	F8565202	Valve	Metric
10	F8230301	Screw	
11	800548	Screw	
12	F8301201	Double Check Valve	WRAS
13	70058501	Pop Rivet	
14	F8589601	Vacuum Breaker Guard	
15	36801	Hose Clamp	
16	F8616402	Rear Vent Hose	
17	F8529701	Manifold Valve	Standard
	F8529702P	Manifold Valve	Metric
18	F8232011	Hose	
19	F0431807-00	Nut	
20	F8535601	Screw	
21	F8437902	Dispenser Weldment	
22	F8047901	Siphon Cover	
23	F8047801	Access Cover	
24	F200201	Hose Clamp	
25	F8529602	P-Trap Hose	

Fill Plumbing - 40 Pound Models

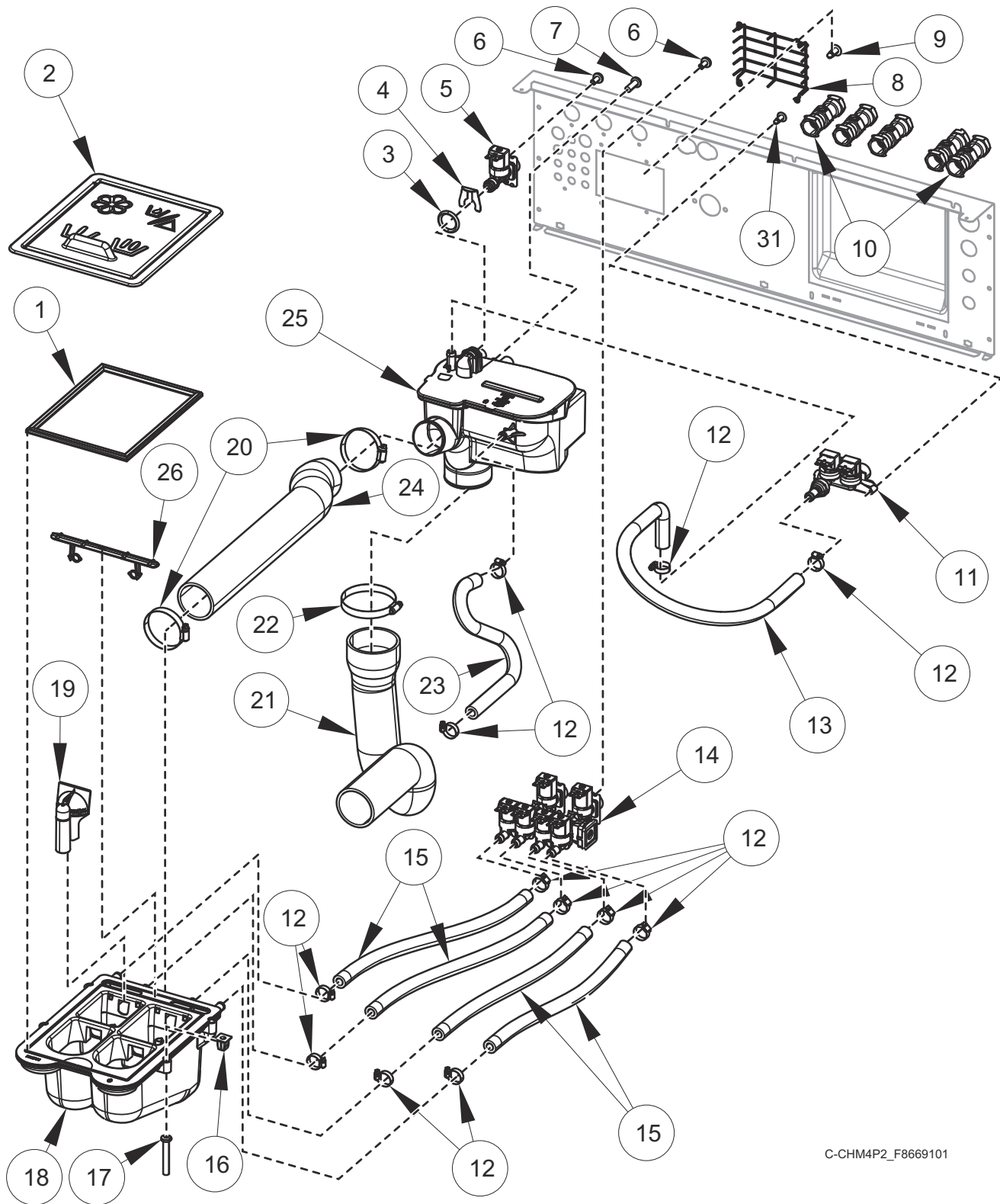


C-CHM2P7_F8669101

Fill Plumbing - 40 Pound Models

REF	PART NO.	DESCRIPTION	COMMENTS
	F8047403	Dispenser	Includes Items 21-23
	F8520101	Fill Valve Harness	
	F8665601	Water Hose Kit	Standard thread; Red (hot); Includes 20290 Washer and 803615 Washer Filter
	F8665603	Water Hose Kit	Standard thread; Blue (cold); Includes 20290 Washer and 803615 Washer Filter
	F8665602	Water Hose Kit	Metric thread; Red (hot); Includes 20290 Washer and 803615 Washer Filter
	F8665604	Water Hose Kit	Metric thread; Blue (cold); Includes 20290 Washer and 803615 Washer Filter
	F8671201	Fill Hose Kit	WRAS; Includes item 12 and F8665602 Water Hose Kit
	F8671202	Fill Hose Kit	WRAS; Includes item 12 and F8665604 Water Hose Kit
	F8671101	Fill Hose Kit	Australian watermark; Includes F8665602 Water Hose Kit and B12543901 Check Valve
	F8671102	Fill Hose Kit	Australian watermark; Includes F8665604 Water Hose Kit and B12543901 Check Valve
1	B12568601	Dispenser Gasket	
2	F8563204	Dispenser Cover	Black; Icons and text
	F8563203	Dispenser Cover	Gray; Icons and text
	F8563202	Dispenser Cover	Black; Icons
	F8563201	Dispenser Cover	Gray; Icons
3	F8529403	Supply Vacuum Hose	
4	F200213	Hose Clamp	
5	F8517503	Vacuum Breaker Assembly	With inlet and fill
	F8517502	Vacuum Breaker Assembly	With inlet
	F8517501	Vacuum Breaker Assembly	With fill
	F8517504	Vacuum Breaker Assembly	
6	F8197701	Cap	WRAS
7	F8569101	O-Ring	
8	F8566801	Clip	
9	F8565201	Valve	Standard
	F8565202	Valve	Metric
10	F8230301	Screw	
11	800548	Screw	
12	F8301201	Double Check Valve	WRAS
13	70058501	Pop Rivet	
14	F8589601	Vacuum Breaker Guard	
15	36801	Hose Clamp	
16	F8616402	Rear Vent Hose	
17	F8529701	Manifold Valve	Standard
	F8529702P	Manifold Valve	Metric
18	F8232010	Hose	
19	F0431807-00	Nut	
20	F8535601	Screw	
21	F8437902	Dispenser Weldment	
22	F8047901	Siphon Cover	
23	F8047801	Access Cover	
24	F200201	Hose Clamp	
25	F8529603	P-Trap Hose	

Fill Plumbing - 60 Pound Models

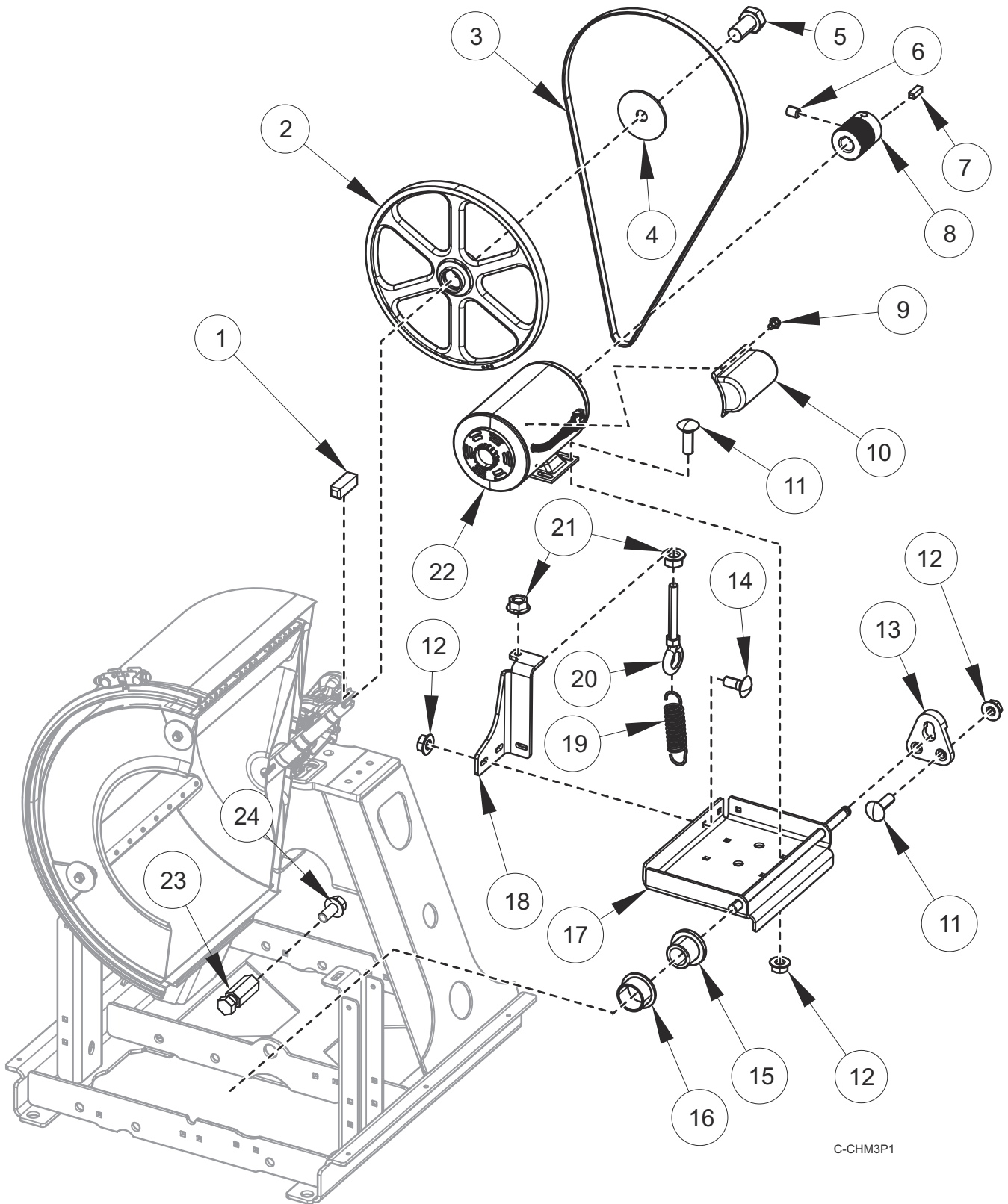


C-CHM4P2_F8669101

Fill Plumbing - 60 Pound Models

REF	PART NO.	DESCRIPTION	COMMENTS
	F8047403	Dispenser	Includes Items 18, 19 and 26
	F8520102	Fill Valve Harness	
	223/00243/00	Y-Connector	
	F8665601	Water Hose Kit	Standard thread; Red (hot); Includes 20290 Washer and 803615 Washer Filter
	F8665603	Water Hose Kit	Standard thread; Blue (cold); Includes 20290 Washer and 803615 Washer Filter
	F8665602	Water Hose Kit	Metric thread; Red (hot); Includes 20290 Washer and 803615 Washer Filter
	F8665604	Water Hose Kit	Metric thread; Blue (cold); Includes 20290 Washer and 803615 Washer Filter
	F8671201	Fill Hose Kit	WRAS; Includes item 11 and F8665602 Water Hose Kit
	F8671202	Fill Hose Kit	WRAS; Includes item 11 and F8665604 Water Hose Kit
	F8671101	Fill Hose Kit	Australian watermark; Includes F8665602 Water Hose Kit and B12543901 Check Valve
	F8671102	Fill Hose Kit	Australian watermark; Includes F8665604 Water Hose Kit and B12543901 Check Valve
1	B12568601	Dispenser Gasket	
2	F8563204	Dispenser Cover	Black; Icons and text
	F8563203	Dispenser Cover	Gray; Icons and text
	F8563202	Dispenser Cover	Black; Icons
	F8563201	Dispenser Cover	Gray; Icons
3	F8569101	O-Ring	
4	F8566801	Clip	
5	F8565201	Valve	3/4 inch; Standard
	F8565202	Valve	3/4 inch; Metric
6	F8230301	Screw	
7	800548	Screw	
8	F8589601	Vacuum Breaker Guard	
9	70058501	Pop Rivet	
10	F8301201	Double Check Valve	WRAS
11	F8434003	Mixing Valve	Standard
	F8434004	Mixing Valve	Metric
12	36801	Hose Clamp	
13	F8598501	Auxiliary Fill Hose	
14	F8529701	Manifold Valve	Standard
	F8529702P	Manifold Valve	Metric
15	F8232012	Hose	
16	F0431807-00	Nut	
17	F8535601	Screw	
18	F8437902	Dispenser Weldment	
19	F8047901	Siphon Cover	
20	F200213	Hose Clamp	
21	F8529604	P-Trap Hose	
22	F200201	Hose Clamp	
23	F8616404	Rear Vent Hose	
24	F8529404	Supply Vacuum Hose	
25	F8517503	Vacuum Breaker Assembly	With inlet and fill
	F8517502	Vacuum Breaker Assembly	With inlet; WRAS
	F8517501	Vacuum Breaker Assembly	With fill; WRAS
	F8517504	Vacuum Breaker Assembly	
26	F8047801	Access Cover	

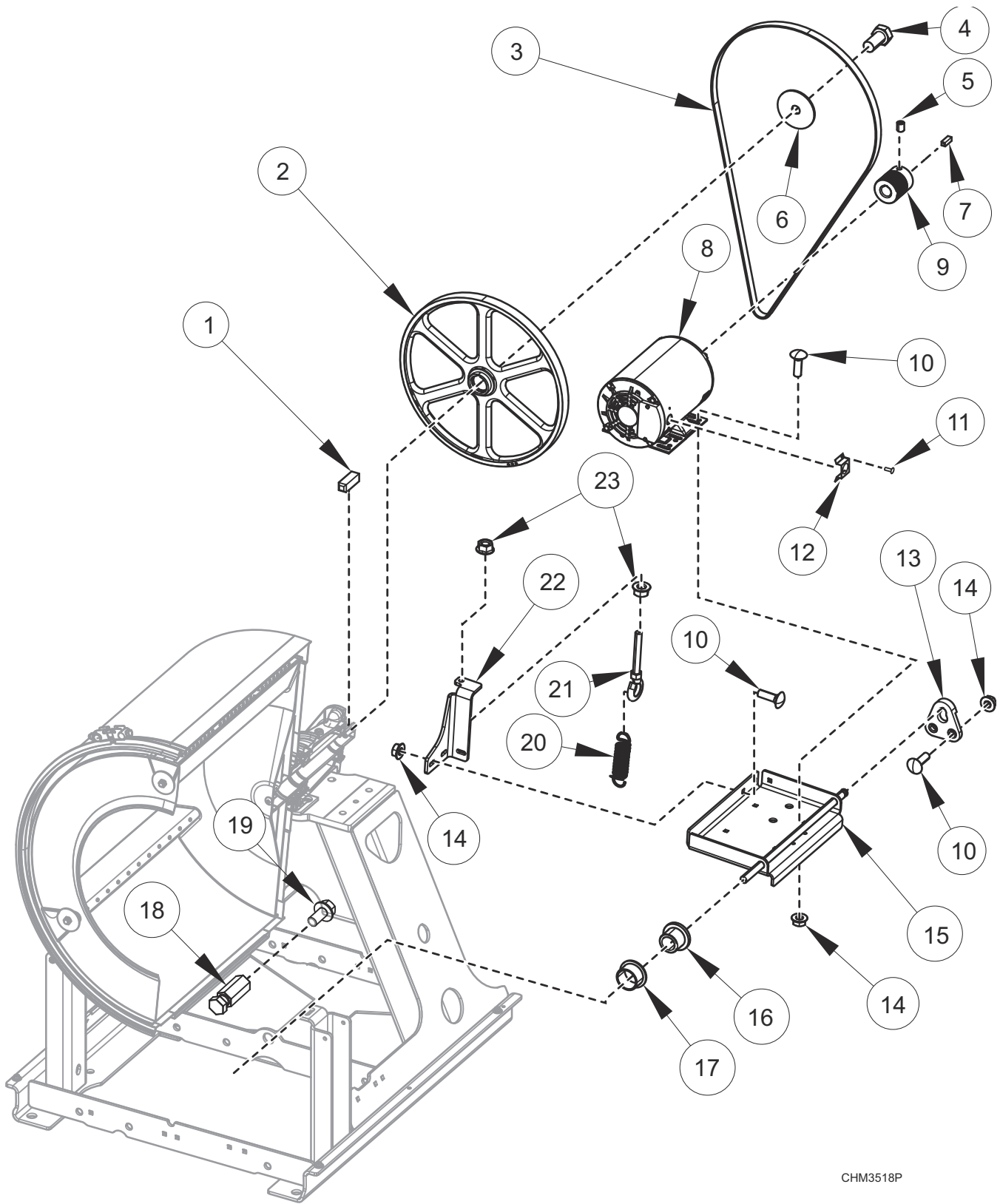
Motor, Pulley and Belt - 20 and 30 Pound Models



Motor, Pulley and Belt - 20 and 30 Pound Models

REF	PART NO.	DESCRIPTION	COMMENTS
	F8733806	Gasket	EMI 17.8 inch
	F8733801	Gasket	EMI 21 inch
	F8733802	Gasket	EMI 24 inch
	F8519001	Motor Harness	1 hp; 120-240 Volt
	F8519006	Motor Harness	1 hp; 120-240 Volt; EMI filter models through August 2021
	F8719401	Motor Harness	1 hp; 120-240 Volt; IEC shielded models starting September 2021
	F8519002	Motor Harness	1 hp; 380-480 Volt
	F8519007	Motor Harness	1 hp; 380-480 Volt; EMI filter models through August 2021
	F8719402	Motor Harness	1 hp; 380-480 Volt; IEC shielded models starting September 2021
	F8748601	Spring Stud Kit	
1	F430801	Key	
2	F8511601	Basket Pulley	20 pound models
	F8511701	Basket Pulley	30 pound models
3	F8382811	Belt	20 pound models; Poly-V; 560J6
	F8382812	Belt	30 pound models; Poly-V; 690J6
4	F431115	Washer	
5	F8574001	Screw	
6	M400077	Screw	
7	H8752006H	Key	
8	F8525301	Motor Pulley	
9	23222	Screw	
10	70521901	Motor Conduit Mounting Bracket	Models through August 2021
	F8732401	Motor Conduit Mounting Bracket	Models starting September 2021
11	F8402801	Bolt	
12	44087201	Nut	
13	F8441101	Motor Rod Plate	
14	70062401	Bolt	
15	F8535202	Flanged Isolator	
16	F8333302	Flanged Bushing	
17	F8589001	Motor Bracket Weldment	
18	F8581201	Spring Bracket	
19	F310124	Extension Spring	
20	F8319503	Eye Bolt	
21	44087301	Nut	
22	F8509601P	Motor	1 hp; 230 Volt
	F8509701	Motor	1 hp; 460 Volt
23	F8634701	Stud	
24	70126104	Screw	

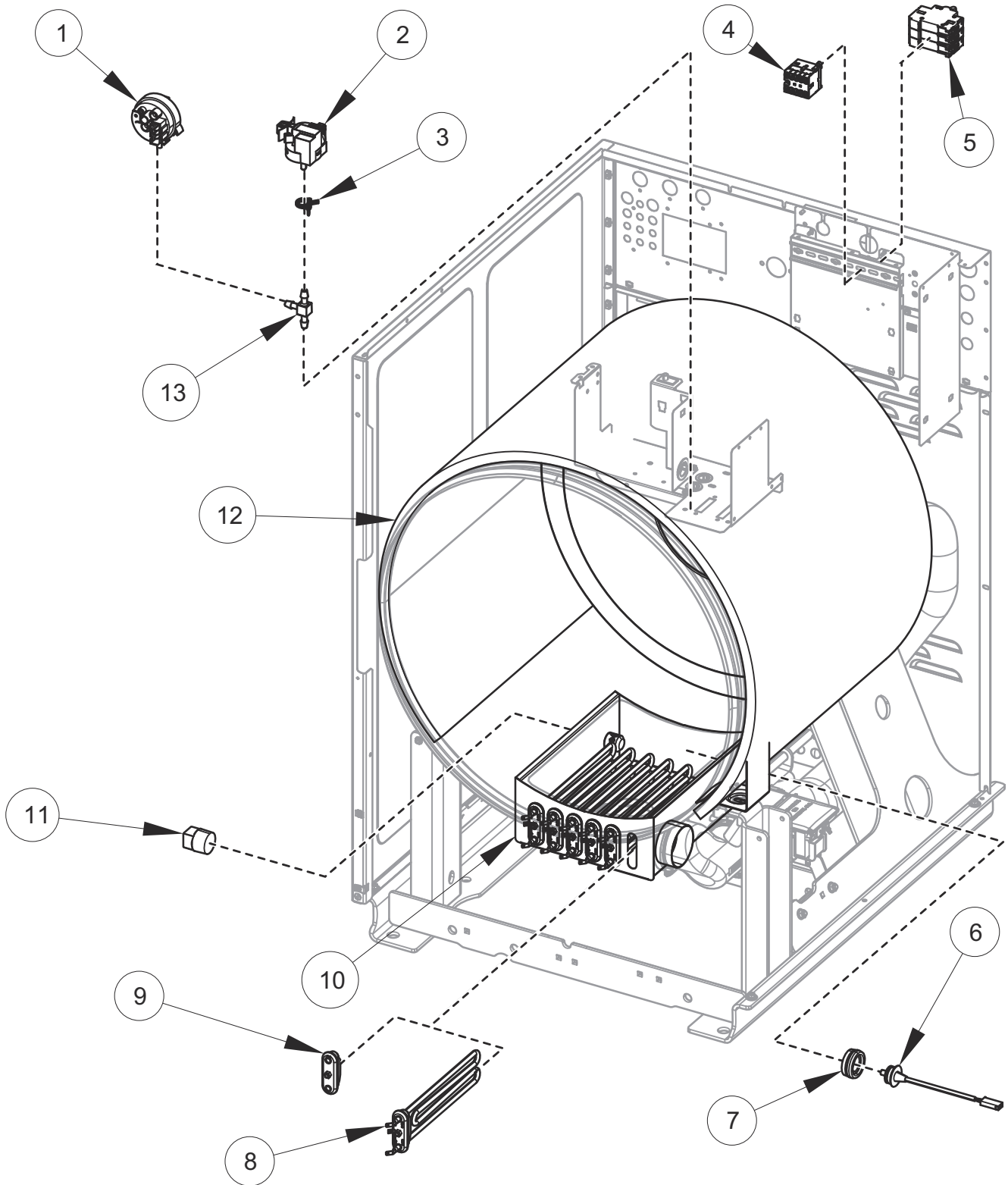
Motor, Pulley and Belt - 40 and 60 Pound Models



Motor, Pulley and Belt - 40 and 60 Pound Models

REF	PART NO.	DESCRIPTION	COMMENTS
	F8733806	Gasket	EMI 17.8 inch
	F8733803	Gasket	EMI 25.6 inch
	F8733804	Gasket	EMI 29 inch
	F8519003	Motor Harness	2-3 hp; 240 Volt; B, Q, W, X and Y voltage
	F8719403	Motor Harness	2-3 hp; B, Q, W, X and Y voltage; IEC shielded models starting September 2021
	F8519004	Motor Harness	2-3 hp; 480 Volt; N and P voltage
	F8719404	Motor Harness	2-3 hp; N and P voltage; IEC shielded models starting September 2021
	F8519008	Motor Harness	B, Q, W, X and Y voltage; EMI filter models through August 2021
	F8519009	Motor Harness	N and P voltage; EMI filter models through August 2021
	F8748601	Spring Stud Kit	Contains F8634701 Stud and 70126104 Screw. Used to replace F8351902 Eye Bolt and 44087201 Nut
1	F430801	Key	
2	F8511701	Basket Pulley	40 pound models
	F8511801	Basket Pulley	60 pound models
3	F8382813	Belt	40 pound models; Poly-V; 717J8
	F8382818	Belt	60 pound models; Poly-V; 765J10
4	F8574001	Screw	
5	M400077	Screw	
6	F431115	Washer	
7	H8752006H	Key	
8	F8564101P	Motor	2 hp; 230/460 Volt; 40 pound models
	F8564102P	Motor	3 hp; 230/460 Volt; 60 pound models
9	F8525301	Motor Pulley	40 pound models
	F8525302	Motor Pulley	60 pound models
10	F8402801	Bolt	
11	23222	Screw	
12	F8732801	Bracket	
13	F8441101	Motor Rod Plate	
14	44087201	Nut	
15	F8589002	Motor Bracket Weldment	
16	F8535202	Flanged Isolator	
17	F8333302	Flanged Bushing	
18	F8634701	Stud	
19	70126104	Screw	
20	F310124	Extension Spring	40 pound models
	F8440701	Extension Spring	60 pound models
21	F8319503	Eye Bolt	
22	F8581201	Spring Bracket	
23	44087301	Nut	

Electric Heating

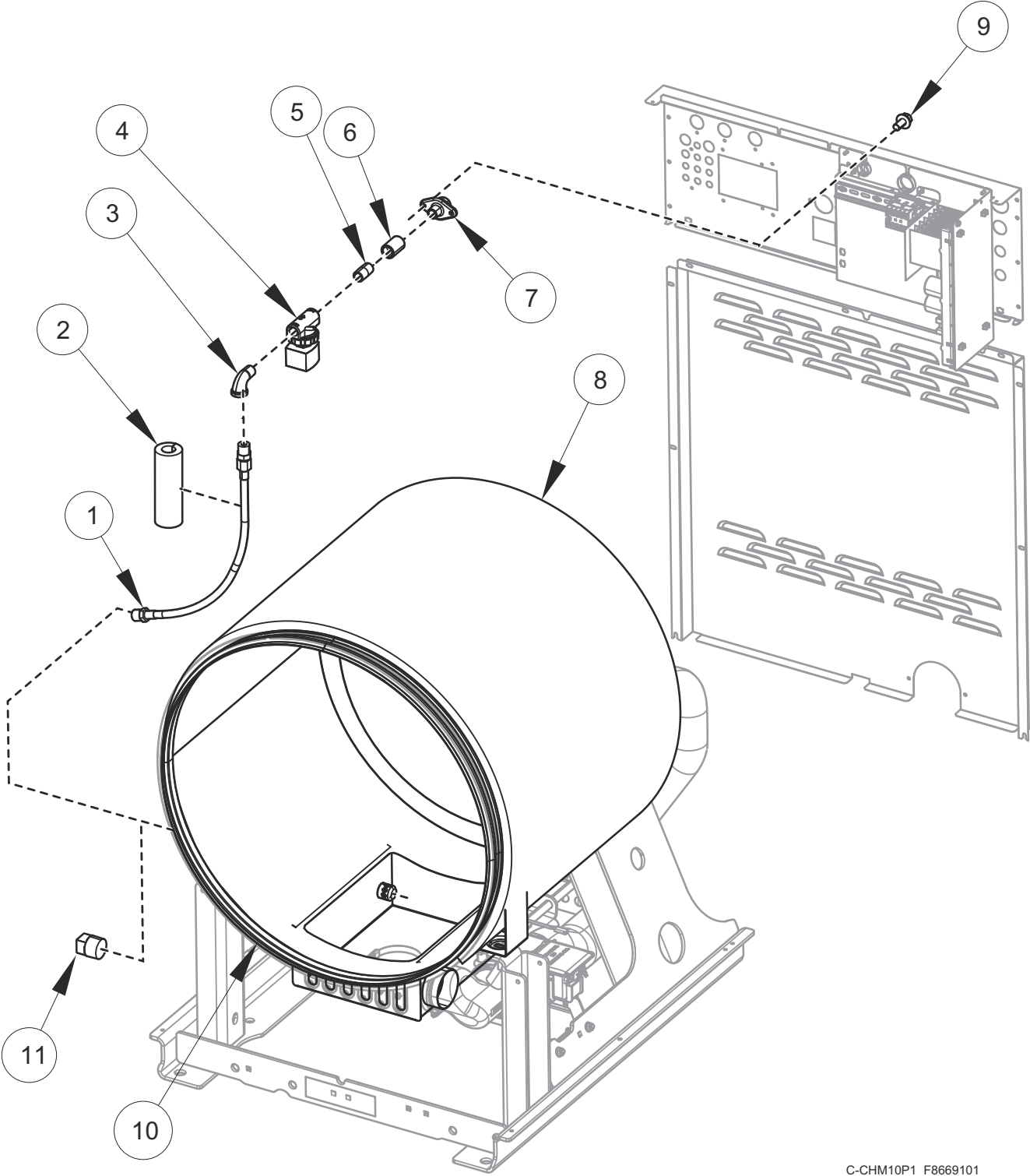


C-CHM8P6_F8669101

Electric Heating

REF	PART NO.	DESCRIPTION	COMMENTS
	F8584801	Electric Heat Element Harness	3 element ground
	F8584802	Electric Heat Element Harness	6 element ground
	F8619101	Power Harness	
	F8564001	Harness	Heater; 20 and 30 pound models; N and P Voltage
	F8564002	Harness	Heater; 20 and 30 pound models; Q Voltage
	F8564003	Harness	Heater; 40 and 60 pound models; N, P and Q Voltage
	F8598301	Harness	Thermistor; 20 and 30 pound models
	F8598302	Harness	Thermistor; 40 and 60 pound models
	F8568901	Jumper	40 and 60 pound models with N voltage
	F8569001	Jumper	40 and 60 pound models with P voltage; 20 and 30 pound models with N and P voltage
1	F8609101	Water Level Pressure Switch	
2	F8623401	Pressure Sensor	
3	39282	Hose Clamp	
4	70482601	Contactactor	
5	70488101	Circuit Breaker	
6	F8538801	Thermistor	
7	2251000400	Temperature Probe Grommet	
8	F8568401	Heating Element	2600W; 240 Volt
	F8568402	Heating Element	3400W; 277 Volt
	F8568301	Heating Element	4200W; 230 Volt
9	F360202	Heating Element Plug	
10	F8512102	Shell	20 pound models
	F8514002	Shell	30 pound models
	F8512202	Shell	40 pound models
	F8543702	Shell	60 pound models
11	F420408	Plug	20, 30 and 40 pound models
	F420409	Plug	60 pound models
12	F8209101	Insulation	20 pound models
	F8209102	Insulation	30 pound models
	F8209103	Insulation	40 pound models
	F8209104	Insulation	60 pound models
13	203464	Barbed Tee	

Steam Heating - 40 and 60 Pound Models

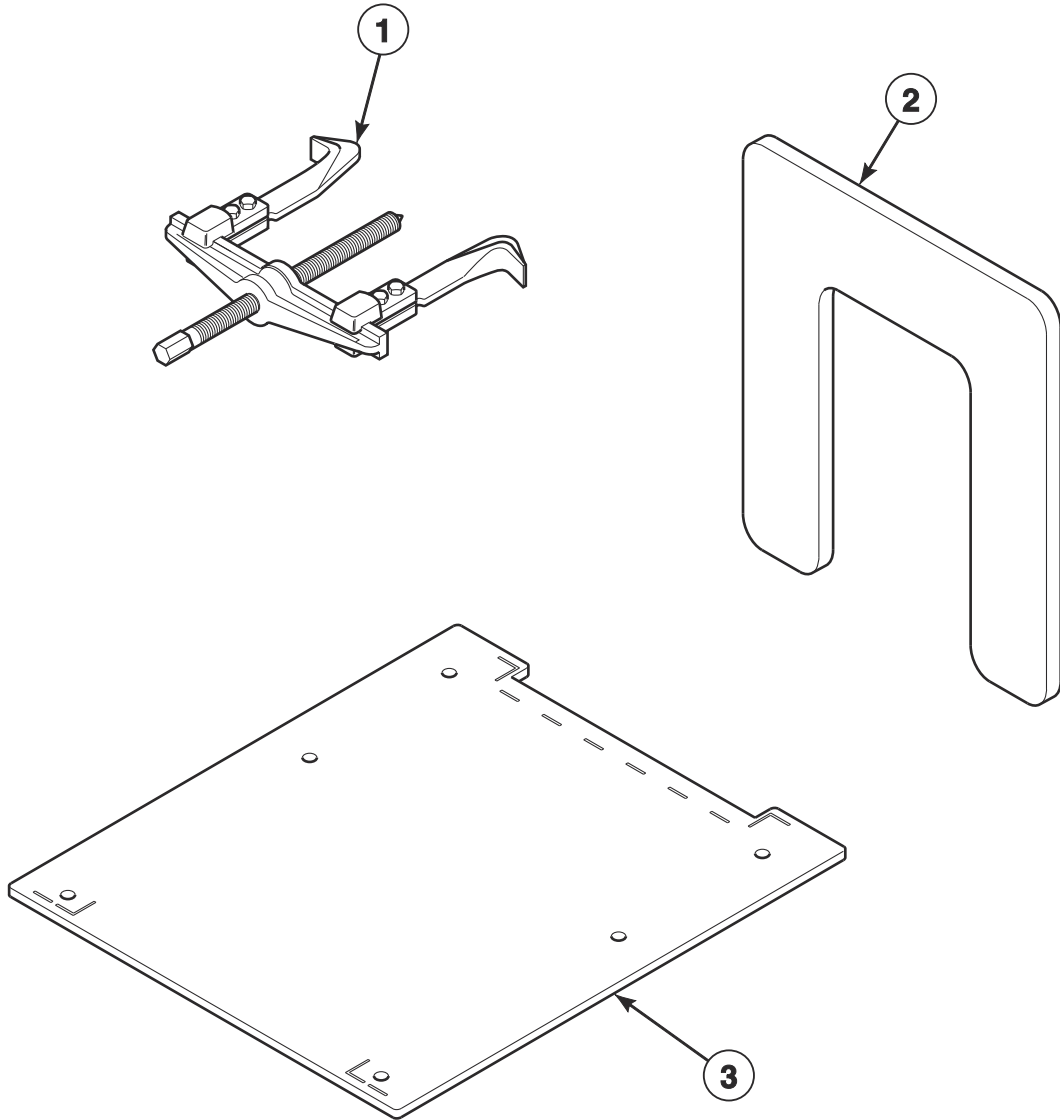


C-CHM10P1_F8669101

Steam Heating - 40 and 60 Pound Models

REF	PART NO.	DESCRIPTION	COMMENTS
	F8662602	Steam Kit	40 pound models; Includes Items 1-7, 9, 11, 901403 Pipe Nipple, F270307 Steam Filter, F8520704 Harness, insulation and labels
	F8662601	Steam Kit	60 pound models; Includes Items 1-7, 9, 11, 901403 Pipe Nipple, 70214101 Pipe Nipple, F270307 Steam Filter, F8520704 Harness, insulation and labels
	F270307	Steam Filter	1/2 inch
	F270308	Steam Filter	3/4 inch
	F8233704	Insulation	Steam pipe; 12 inches
	F8233708	Pipe Insulation	Steam pipe; 20 inches
	F410300	Pipe Insulation	Steam pipe; 36 inches
	F8520704	Harness	Steam Valve
1	F200153P	Steam Hose	40 pound models
	F200197	Steam Hose	60 pound models
2	F8233702	Insulation	Steam pipe; 6 inches
3	H86070034	Street Elbow	
4	F8322805	Valve	
	F8515001	Coil	
5	70435601	Pipe Nipple	
6	F8116301	Coupling	
7	F8362701	Coupling	
8	F8209103	Insulation	40 pound models
	F8209104	Insulation	60 pound models
9	70321501	Screw	
10	F8512202	Shell	40 pound models
	F8543702	Shell	60 pound models
11	F420408	Plug	

Special Tools and Kits



CHM3486P_F8669101

Special Tools and Kits

REF	PART NO.	DESCRIPTION	COMMENTS
	F8555406	Connector	8 pin; Use with 204094 Central Pay Control Assembly
	1111P	Concrete Kit	5/8 inch
	389P4	Basket Tool Kit	Purchase; Requires item 1
	390P4-1	Basket Rental Tool Kit	Purchase; Requires item 1
	203346	USB IR Interface Kit	
	F8673205	Central Pay Kit	20, 30 and 40 pound models without external supply board; B voltage; Includes 204094 Central Pay Control Assembly, 202757 Transformer, F140938 Snap Bushing, labels, hardware and harnesses
	F8673201	Central Pay Kit	20, 30 and 40 pound models without external supply board; N, P, Q, W, X and Y voltage; Includes 204094 Central Pay Control Assembly, 202758 Transformer, F140938 Snap Bushing, labels, hardware and harnesses
	F8673203	Central Pay Kit	20, 30 and 40 pound models with external supply board; N, P, Q, W, X and Y voltage; Includes 204094 Central Pay Control Assembly, F140938 Snap Bushing, labels, hardware and harnesses
	F8673202	Central Pay Kit	60 pound models without external supply board; N, P, Q, W, X and Y voltage; Includes 204094 Central Pay Control Assembly, 202758 Transformer, F140938 Snap Bushing, labels, hardware and harnesses
	F8673204	Central Pay Kit	60 pound models with external supply board; N, P, Q, W, X and Y voltage; Includes 204094 Central Pay Control Assembly, F140938 Snap Bushing, labels, hardware and harnesses
1	F460129P	Basket Puller Tool	
2	F8608502P	Basket Pulley Puller Tool	Use with item 1
3	F8433301	Frame Template	20 pound models
	F8433401	Frame Template	30 pound models
	F8433501	Frame Template	40 pound models
	F8433601	Frame Template	60 pound models

Parts Index

A

Access Cover	
F8047801	83, 85, 87, 89
Access Panel	
F8524001	43, 45, 47, 51, 53, 55
F8524101	43, 45, 47, 51, 53, 55
F8524201	43, 45, 47, 51, 53, 55
F8553901	43, 45, 47, 51, 53, 55
Access Panel Retaining Spacer	
F8609701	43, 45, 47, 51, 53, 55
App Pay Overlay Kit	
44374701	11, 13, 15, 19, 21, 23
Auxiliary Fill Hose	
F8598501	89

B

Backflow Preventer	
800310	81
Barbed Tee	
203464	11, 13, 15, 95
Basket	
F8391302	75
F8391304	75
F8391502	75
F8391504	75
F8391702	75
F8391704	75
F8502802	75
F8502805	75
Basket Capacity Label	
F8699702	45, 47, 53, 55
F8699703	45, 47, 53, 55
F8699704	45, 47, 53, 55
F8699706	45, 47, 53, 55
Basket Puller Tool	
F460129P	99
Basket Pulley	
F8511601	91
F8511701	91, 93
F8511801	93
Basket Pulley Puller Tool	
F8608502P	99
Basket Rental Tool Kit	
390P4-1	99
Basket Tool Kit	
389P4	99
Bearing	
F100108	77
F100123P	77
F100134	77
F100135	77
F100136P	77
F100137P	77
Bearing Housing	
F8246802	77
F8247902	77
F8249902	77
F8250902	77

Bearing Housing Assembly	
F8271601P	77
F8271602	77
F8271701P	77
F8271702	77
F8271801P	77
F8271802	77
F8271901P	77
F8271902	77
Belt	
F8382811	91
F8382812	91
F8382813	93
F8382818	93
Bolt	
F430974	61, 63, 65, 67, 69, 71
F8270701	73
F8402801	59, 79, 81, 91, 93
F8508101	61, 63, 65, 67, 69, 71
70062401	91
Bracket	
F8571301	81
F8571401	81
F8732801	93
Bushing	
70346501	27, 29, 31, 33, 35, 37

C

Cabinet Brace	
F8527301	57
F8527401	57
F8527501	57
F8553201	57
Cable	
F8521301	57
Cap	
F8197701	83, 85, 87
Card Plate Assembly	
F8201501	13, 15
Central Pay Harness	
44342801	13, 15
Central Pay Kit	
F8673201	99
F8673202	99
F8673203	99
F8673204	99
F8673205	99
Chemical Injection Control	
804528	39
Circuit Breaker	
70488101	31, 33, 35, 37, 95
Clip	
F8566801	83, 85, 87, 89
Coil	
F8515001	97
Coin Drawer Assembly	
F8182001	25
Coin Drop	
38963P	19
39748	19

N/A items do not appear in index.

70441601P.....	19
70441603.....	21
Coin Drop Assembly	
201141.....	19
210195.....	21
210196.....	21
38462P.....	19
38463.....	19
38464P.....	19
38467.....	21
38475.....	19
38519.....	21
70281102.....	21
70283102.....	21
70441602.....	21
70447301.....	21
70471601.....	19
70482401.....	21
70506901.....	19
Coin Drop Kit	
CK077.....	19
CK122.....	23
CK503.....	21
Coin Identification Paper	
38725.....	19, 21, 23
Coin Meter	
F0160737-00.....	21
Coin Vault Assembly	
F8529101.....	11
Coin Vault Bypass Harness	
F8519702.....	13, 15
Coin Vault Harness	
F8519701.....	11
Concrete Kit	
1111P.....	99
Connector	
F8555406.....	99
70493102.....	39
Contactora	
F330188P.....	95
70482601.....	27, 29, 31, 33, 35, 37
70482701.....	27, 29, 31, 33, 35, 37
Contactora Tray	
F8530901.....	27, 29, 31, 33, 35, 37
Control Assembly	
F8493901P.....	11, 13, 15
Control Panel Assembly	
F8523701.....	43
F8523704.....	51
F8523801.....	43
F8523804.....	51
F8523901.....	43
F8523904.....	51
F8553701.....	43
F8553704.....	51, 53, 55
F8697101.....	45, 47
F8697102.....	53, 55
F8697201.....	45, 47
F8697202.....	53, 55
F8697301.....	45, 47
F8697302.....	53, 55
F8697401.....	45, 47
Control Tray	
F8530701.....	17
Coupling	
F8116301.....	97

F8362701.....	97
---------------	----

D

Danger Label	
F8614501.....	9
DIN Rail	
B12315401.....	31, 33, 35, 37
M412689.....	27, 29, 31, 33, 35, 37
Dispenser	
F8047403.....	83, 85, 87, 89
Dispenser Bracket	
F8525701.....	57
Dispenser Cover	
F8563201.....	83, 85, 87, 89
F8563202.....	83, 85, 87, 89
F8563203.....	83, 85, 87, 89
F8563204.....	83, 85, 87, 89
Dispenser Gasket	
B12568601.....	83, 85, 87, 89
Dispenser Weldment	
F8437902.....	83, 85, 87, 89
Door	
F8507501P.....	61, 63
F8507502.....	61, 63
F8507602.....	65, 67
F8507701.....	69, 71
F8507702.....	69, 71
F8752601.....	65, 67
Door Assembly	
F8617201.....	61, 63
F8617202.....	61
F8617212.....	63
F8617301.....	65
F8617302.....	65
F8617311.....	67
F8617312.....	67
F8617401.....	69
F8617402.....	69
F8617411.....	71
F8617412.....	71
Door Bezel	
F170417-1.....	43, 45, 47, 51, 53, 55
F8658701.....	43, 45, 47, 51, 53, 55
F8659101.....	43, 45, 47, 51, 53, 55
Door Gasket	
F200000202.....	61, 63
F8111502.....	69, 71
F8111602.....	65, 67
Door Glass	
F8485301P.....	65, 67
F8485401P.....	69, 71
Door Glass Kit	
F290205P.....	61, 63
Door Glass Trim	
F8583201.....	61, 63
F8583202.....	65, 67
F8583203.....	69, 71
Door Handle	
F8199401P.....	61, 65, 69
F8624603.....	63, 67, 71
Door Handle Spacer Kit	
F8567501.....	61, 63, 65, 67, 69, 71

N/A items do not appear in index.

Door Hinge			
F190216P	61, 63, 65, 67, 69, 71		
Door Hinge Shim Kit			
F200131000P	61, 63, 65, 67, 69, 71		
Door Latch Arm Assembly			
F8221403	61, 63, 65, 67, 69, 71		
Door Lock Assembly			
F8632401	73		
Door Lock Catch			
F8344501	73		
Door Lock Cover			
F8245001	73		
Door Lock Harness			
F8520201	73		
F8520202	73		
Door Lock Microswitch			
F200203200	73		
Door Lock Plate Assembly			
F8223202	73		
Door Lock Plate Shim			
F83344401	73		
Door Lock Solenoid Replacement Kit			
F977P3	73		
Door Lock Switch Lever			
F8223401	73		
Door Mount			
F150271	61, 63, 65, 67, 69, 71		
Double Check Valve			
F8301201	83, 85, 87, 89		
Dowel Pin			
F8388201	77		
Drain Hose			
F200165100	79		
F8541901	79		
F8542001	79		
F8542002	79		
27154	81		
Drain Hose Elbow			
35766	81		
Drain Tee			
F8752101	79		
Drain Valve			
F8406308	79		
Drain Valve Bracket			
F8543101	79		
F8543301	79		
F8543401	79		
F8587701	79		
Drain Valve Cover			
F200133600	79		
Drain Valve Harness			
F8520001	79, 81		
F8520002	79, 81		
Drain Valve Kit			
F200166302	79		
F200166402	79		
F8577201	79		
Drive Assembly			
F8495401P	41		
F8496001	41		
F8496301P	41		
F8496901	41		
Drive Communication Harness			
F8519201	41		
F8519202	41		
F8519203	41		
F8519204	41		
Drive Mounting Bracket			
F8322401	41		
Drive Panel Base Assembly			
F8567001	27, 29, 31, 33		
F8567002	31, 33		
F8567003	35, 37		
F8567004	35, 37		
Drive Power Harness			
F8518601	41		
F8518602	41		
F8518603	41		
Drive Shield			
F8616901	27, 29, 31, 33, 35, 37		
Drive Terminal Tray			
F8530801	27, 29, 31, 33		
F8530803	35, 37		
<hr/>			
E			
Electric Heat Element Harness			
F8584801	95		
F8584802	95		
Electronic Coin Drop Assembly			
70294107	23		
70513302	23		
70513303	23		
70513304	23		
70513306	23		
70513309	23		
70513310	23		
70513311	23		
70513312	23		
70513313	23		
70513314	23		
70513315	23		
70513316	23		
Electronic Coin Drop Kit			
CK099	23		
CK100	23		
CK101	23		
CK108	23		
CK109	23		
CK110	23		
CK113	23		
CK115	23		
CK116	23		
CK117	23		
CK118	23		
CK119	23		
CK120	23		
CK121	23		
CK500	23		
Emergency Stop Bypass Harness			
F8519403	13, 15		
F8549403	11		
EMI Filter			
F8591601	27, 31		
F8591801	29, 33, 35		
F8637501	29, 33, 37		
End Stop			
F8449801	27, 29, 31, 33, 35, 37		

N/A items do not appear in index.

Ethernet Gateway Kit	
NK320	17
Excluder Seal	
F8337002	75
Expansion Clip	
70030501 ...	17, 27, 29, 31, 33, 35, 37, 41, 43, 45, 47, 51,
.....	53, 55, 57, 59, 73, 81
Extension Spring	
F310124	91, 93
F8440701	93
External Supply Kit	
F8662501	39
F8662502	39
F8662503	39
F8662504	39
F8662505	39
F8662506	39
F8662507	39
F8662508	39
Eye Bolt	
F8319503	91, 93

F

Fill Hose Kit	
F8671101	83, 85, 87, 89
F8671102	83, 85, 87, 89
F8671201	83, 85, 87, 89
F8671202	83, 85, 87, 89
Fill Valve Harness	
F8520101	83, 85, 87
F8520102	89
Filter Kit	
F8662801	27
F8662802	31
F8662803	29
F8662804	33, 35
F8662805	29
F8662806	33, 37
F8662809	29
F8662810	29
F8662811	33, 35
F8662812	33, 37
Flanged Bushing	
F8333302	91, 93
Flanged Isolator	
F8535202	91, 93
Fob Communication Harness	
F8719301	15
Fob Reader Control Assembly	
205135	15
Frame Template	
F8433301	99
F8433401	99
F8433501	99
F8433601	99
Front Panel	
F8524003	47
F8524004	55
F8524301	43
F8524302	51
F8524303	47
F8524304	55
F8524401	43
F8524402	51

F8524403	47
F8524404	55
F8524501	43
F8524502	51
F8524503	47
F8524504	55
F8554001	43
F8554002	51
F8685301	45, 47
F8685302	53, 55
F8686001	45, 47
F8686002	53, 55
F8686101	45, 47
F8686102	53, 55
F8686201	45, 47
F8686202	53, 55
Front Tray Assembly	
F8531001	11, 13, 15
F8567301	11
F8567302	11
F8567303	11
F8567304	11
F8567305	11
F8567306	11
F8567307	13, 15
F8567308	13, 15
F8567309	13, 15
F8567310	13, 15
F8567311	13, 15
F8567312	13, 15

G

Gasket	
F8542601	57
F8733801	91
F8733802	91
F8733803	93
F8733804	93
F8733806	91, 93
Gateway	
204145P	17
205223P	17
205391P	17
Ground Lug Connector	
M411283	27, 29, 31, 33, 35, 37

H

Harness	
F8518401	29, 33, 35
F8518402	27, 29
F8518403	33, 35
F8518404	27, 29, 35
F8518405	27, 31
F8518501	27, 29, 33, 37
F8518502	29
F8518503	33, 37
F8518504	29, 33
F8518604	31
F8518605	29, 33, 37, 41
F8518606	29, 33, 37, 41
F8518607	35
F8519301	11, 13, 15
F8519501	11, 13, 15

N/A items do not appear in index.

F8519502	11, 13, 15
F8519601	11, 13, 15
F8520601	39
F8520602	39
F8520704	97
F8528001	29, 31, 33, 35, 37
F8528002	29
F8528003	31, 33, 35, 37
F8528004	27, 31
F8528005	29, 33, 35, 37
F8528006	27, 31
F8528203	39
F8528204	39
F8564001	95
F8564002	95
F8564003	95
F8598301	75, 95
F8598302	75, 95
F8619102	27, 29, 31, 33, 35, 37
Harness Support Bracket	
F8744301	27, 29, 31, 33, 35, 37
Heating Element	
F8568301	95
F8568401	95
F8568402	95
Heating Element Plug	
F360202	95
Hole Plug	
F8223801	57
Hose	
F8232007	83
F8232010	87
F8232011	85
F8232012	89
Hose Clamp	
F200201	79, 83, 85, 87, 89
F200204	81
F200213	79, 83, 85, 87, 89
F200215	81
F200219	81
36801	83, 85, 87, 89
36802	79, 81
39282	11, 13, 15, 95
Hot Surface Warning Label	
F8609001	9
F8614301	9

I

Input and Output Control Assembly	
F8494101P	17
Instruction Label	
F8698801	45, 47, 53, 55
F8698901	45, 47, 53, 55
Insulation	
F8209101	95
F8209102	95
F8209103	95, 97
F8209104	95, 97
F8233702	97
F8233704	97
Insulator	
M413862	27, 29, 31, 33, 35, 37

J

Jumper	
F8568901	95
F8569001	95
F8583501	31, 33, 35, 37

K

Key	
F160420	25
F430801	91, 93
H8752006H	91, 93
70155603	57

L

Label	
D516100	27, 29, 31, 33, 35, 37
F8601301	9
F8602401	9
F8609401	9
F8611301	9, 57
F8611401	9, 57
F8614801	9
203853	9
44286801	27, 31
44286803	29, 33, 37

M

Machine ID Control Assembly	
203361P	11, 13, 15
Magnet	
F8390801	61, 63, 65, 67, 69, 71
Male Tab Terminal	
00621SG	27, 29, 31, 33, 35, 37
Manifold Valve	
F8529701	83, 85, 87, 89
F8529702P	83, 85, 87, 89
Mixing Valve	
F8434003	89
F8434004	89
Motor	
F8509601P	91
F8509701	91
F8564101P	93
F8564102P	93
Motor Bracket Weldment	
F8589001	91
F8589002	93
Motor Conduit Mounting Bracket	
F8732401	91
70521901	91
Motor Harness	
F8519001	91
F8519002	91
F8519003	93
F8519004	93
F8519006	91
F8519007	91

N/A items do not appear in index.

F8519008	93
F8519009	93
F8719401	91
F8719402	91
F8719403	93
F8719404	93
Motor Pulley	
F8525301	91, 93
F8525302	93
Motor Rod Plate	
F8441101	91, 93
Mounting Plate	
70208801	13, 15

N

Nut	
C001236	61, 63, 65, 67, 69, 71
F0431807-00	83, 85, 87, 89
F430215	23, 61, 63, 65, 67, 69, 71
F430218	75
F430225	73
F430232	61, 63, 65, 67, 69, 71, 73
F431024	73
F431041	61, 63, 65, 67, 69, 71
F8387701	77
44087201	59, 79, 81, 91, 93
44087301	75, 91, 93
44088001	27, 29, 31, 33, 35, 37
44088801	57
685846	11, 13, 15, 19, 21
70030401	79
70054	15

O

Opto Coupler	
200674P	19, 21
O-Ring	
F8569101	83, 85, 87, 89
Overflow Hose	
F8521201	79
F8522401	79
F8522501	79
Overflow Plug	
F150352	81
Overlay	
F8655701	43, 49
F8655702	43, 49
F8655703	51
F8655801	43, 49
F8655802	43, 49
F8655803	51
F8655901	43, 49
F8655902	43, 49
F8655903	51
F8656001	43, 49
F8656002	43, 49
F8656003	51
F8679601	43
F8679701	43
F8679801	43
F8679901	43
F8695301	45

F8695302	45
F8695303	53
F8695401	45
F8695402	45
F8695403	53
F8696301	53, 55
F8696302	53, 55
F8731001	49
F8731002	49
F8731003	55
F8731101	49
F8731102	49
F8731103	55
F8731201	49
F8731202	49
F8731203	55
F8731301	49
F8731302	49
F8731303	55
F8733901	15
70295101	49
70557001	51
70557002	51

P

Panel Locator	
56079	43, 45, 47, 51, 53, 55, 59
Panel Lock	
44089303P	57
Payment Center Kit	
205068	13, 15
Pin	
F8302701	75
F8502101	59
Pinch Warning Label	
F8615701	9
70538401	9
Pipe Insulation	
F410300	97
F8233708	97
Pipe Nipple	
70435601	97
Plug	
F420408	95, 97
F420409	95
F8223901	57
M400985	57
Pop Rivet	
F431215	43, 45, 47, 51, 53, 55, 57
F431223	61, 63, 65, 67, 69, 71
M400003	17, 27, 29, 31, 33, 35, 37
70058501	11, 19, 21, 27, 29, 31, 33, 35, 37, 83, 85, 87, 89
70412601	43, 45, 47, 51, 53, 55
Power Distribution Block	
M413865	27, 29, 31, 33, 35, 37
Power Distribution Block Cover	
44014901P	27, 29, 31, 33, 35, 37
Power Harness	
F8619101	27, 29, 31, 33, 35, 37, 95
Pressure Cap	
F8579301	79, 81
Pressure Sensor	
F8623401	11, 13, 15, 95

N/A items do not appear in index.

P-Trap Hose	
F8529601	83
F8529602	85
F8529603	87
F8529604	89
Pulse Expander Assembly	
F8034701P	23
Pump Drain and Bracket Assembly	
804038	81
805613	81
805723	81
Pump Drain Bracket	
F8536901	81
F8557101	81
F8557301	81
Pump Drain Conversion Kit	
F8749401	81
F8749403	81
F8749404	81
F8749406	81
F8749407	81
F8749409	81
Pump Drain Hose	
F8556601	81
Pump Drain Rear Hose	
F8537001	81
F8557001	81
F8557201	81
Pushbutton Switch	
70413301	57

R

Radial Lip Seal	
F8203816	77
Rear Drain Hose	
F8543001	79
F8543201	79
F8543501	79
F8587301	79
Rear Panel	
F8527001	57
F8527101	57
F8527201	57
F8554501	57
Rear Vent Hose	
F8616401	83
F8616402	85, 87
F8616404	89
Reed Switch Assembly	
F8066804	73
Retaining Ring	
F8337801	77
F8337901	77
F8344901	77
F8345001	77
Rivet	
M412763	43, 45, 47, 51, 53, 55, 59
Rod	
F602813-2	61, 63, 65, 67, 69, 71

S

Screw	
D503688	41
F430532	61, 63
F430533	65, 67, 69, 71
F430536	61, 63, 65, 67, 69, 71
F8117601	43, 45, 47, 51, 53, 55, 57, 59, 73, 81
F8206901	17, 27, 29, 31, 33, 35, 37, 57, 81
F8230301	83, 85, 87, 89
F8368801	77
F8442702	77
F8535501	61, 63, 65, 67, 69, 71
F8535502	43, 45, 47
F8535601	83, 85, 87, 89
F8574001	91, 93
F8589501	43, 45, 47, 51, 53, 55
F8621601	75
F8658501	81
F8673701	75
M400077	91, 93
202175	79
23222	91, 93
33562	57
39733	27, 29, 31, 33, 35, 37
403497	39
430497	17
51780	57
51783	27, 29, 31, 33, 35, 37
685837	27, 29, 31, 33, 35, 37
70126104	91, 93
70321501	97
800548	83, 85, 87, 89
Seal Scupper Pad	
F8350302	77
Shaft Seal Sleeve Kit	
F8343906P	75
Shell	
F8512101	75
F8512102	75, 95
F8512201	75
F8512202	75, 95, 97
F8514001	75
F8514002	75, 95
F8543701	75
F8543702	75, 95, 97
Shell Band Kit	
F8537801	75
F8537802	75
F8537803	75
F8537804	75
Shell Front	
F8222301	75
F8222401	75
F8222501	75
F8222601	75
Shock Warning Label	
F8614201	9
Side Panel	
F8524601	59
F8524602	59
F8524603	59
F8524604	59
F8524701	59
F8524702	59
F8524703	59

N/A items do not appear in index.

F8524704	59
F8524705	59
F8524706	59
F8524801	59
F8524802	59
F8524803	59
F8524804	59
F8524805	59
F8524806	59
F8525605	59
F8525606	59
F8554201	59
F8554202	59
F8554203	59
F8554204	59
F8554205	59
F8554206	59
Siphon Cover	
F8047901	83, 85, 87, 89
Snap Bushing	
F140938	11, 13, 15, 27, 29, 31, 33, 35, 37, 39
M402542	11, 13, 15
M411826	11, 13, 15
Spacer	
F431901	73
Spring Bracket	
F8581201	91, 93
Spring Pin	
F431222	61, 63, 65, 67, 69, 71
Spring Stud Kit	
F8748601	91, 93
Steam Filter	
F270307	97
F270308	97
Steam Hose	
F200153P	97
F200197	97
Steam Kit	
F8662601	97
F8662602	97
Street Elbow	
H86070034	97
Stud	
F8634701	91, 93
70334702	79
Supply Vacuum Hose	
F8529401	83
F8529402	85
F8529403	87
F8529404	89

T

Temperature Probe Grommet	
2251000400	75, 95
Terminal	
00622SG	17, 27, 29, 31, 33, 35, 37
Terminal Block	
430642	27, 29, 31, 33, 35, 37
Terminal Block Shield	
70333001	27, 29, 31, 33, 35, 37
Terminal Tray Cover	
F8518301	57

Thermistor	
F8538801	75, 95
Top Cover	
F8525401	57
F8525501	57
F8525601	57
F8554301	57
Top Cover Hinge	
F8258601	57
Top Cover Latch	
F8201001	43, 45, 47, 51, 53, 55
Torsion/Door Lock Spring	
F8070301	73
Transformer	
F8491101	17
202757	17
202758	17
Triple Lip Seal	
F8203801	77
F8203802	77
F8203803	77
F8203806	77
F8203813	77
F8203814	77
F8203815	77
Tubing	
F8405302	11, 13, 15
F8405303	11, 13, 15

U

USB Gateway Kit	
NK330	17
USB IR Interface Kit	
203346	99

V

Vacuum Breaker Assembly	
F8517501	83, 85, 87, 89
F8517502	83, 85, 87, 89
F8517503	83, 85, 87, 89
F8517504	83, 85, 87, 89
Vacuum Breaker Guard	
F8589601	83, 85, 87, 89
Valve	
F8322805	97
F8565201	83, 85, 87, 89
F8565202	83, 85, 87, 89
Valve Panel	
F8513101	57
F8513201	57
F8513301	57
F8554401	57

W

Warning Label	
F8611601	9
44324001	9
Washer	
F430339	77

N/A items do not appear in index.

F431115	91, 93
F431133	61, 63, 65, 67, 69, 71
F431147	61, 63, 65, 67, 69, 71
F431916	61, 63, 65, 67, 69, 71
F431929	61, 63, 65, 67, 69, 71
F8193101	73
F8201101	43, 45, 47, 51, 53, 55
F8402701	75
M400080	75
M400081	75
M405535	59
Water Hose Kit	
F8665601	83, 85, 87, 89
F8665602	83, 85, 87, 89
F8665603	83, 85, 87, 89
F8665604	83, 85, 87, 89
Water Level Pressure Switch	
F8609101	11, 13, 15, 95
Wire Clip	
F8449501	11, 13, 15, 17
70347601	17
70366201	11, 13, 15
Wire Label	
44286804	29, 33, 35
Wireless Harness	
F8520403	17
F8520404	17
F8674003	17
F8674004	17
Wireless Kit	
F8662401	17
F8662402	17
F8676001	17
F8676101	17
Wireless Network Control Assembly	
203532	17
807211	17

Y

Y-Connector	
223/00243/00	89
