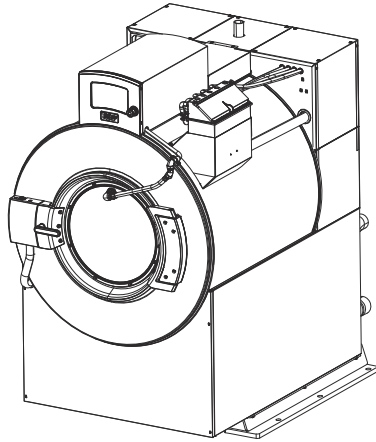


Washer-Extractor

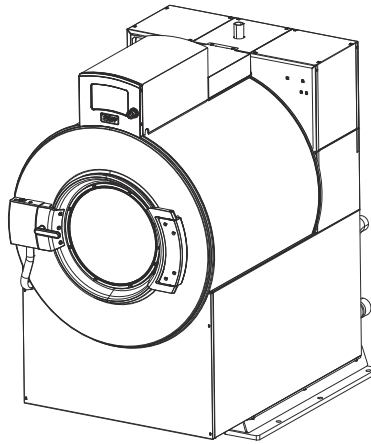
Pocket Hardmount

Refer to Page 3 for Model Numbers



C-PHM2P18

UniLinc Models



C-PHM2P19

M30 Models

PHM1432C_F8672801

Table of Contents

Title	Page
Parts Ordering Information.....	2
Serial Plate Location	2
Model Identification	3
Pocket Hardmount Washer-Extractor Product Overview	4
Labels	6
Control Module - Models with D3, D4, N1, and N2 in the 7th and 8th Positions.....	8
Control Module - Models with V3 and V4 in the 7th and 8th Positions	10
Inverter Drive Box (Drawing 1 of 2).....	12
Inverter Drive Box (Drawing 2 of 2).....	14
Vibration Switch and Temperature Probe	16
Panels	18
Front Bulkhead, Drive Box and Water Supply Box Panels	20
Front Bulkhead, Drive Box and Water Supply Box Trim	22
Rear Bulkhead	24
Spray Tube Assembly.....	26
Door	28
Door Lock.....	30
Shell Front and Basket.....	32
Shell Frame and Seal	34
Supply Dispenser.....	36
Chemical Injection.....	38
Water Supply Valve and Hoses to Supply Dispenser	40
Fill Plumbing Assembly	42
Spray Plumbing Assembly	44
Drain Plumbing	46
Motor and Pulley	48
Bearing Housing	50
Electric Heat Option	52
Steam Heat Option	54
Special Tools and Kits	56
Parts Index.....	59

© Copyright 2023, Alliance Laundry Systems LLC

All rights reserved. No part of the contents of this book may be reproduced or transmitted in any form or by any means without the expressed written consent of the publisher.

Parts Ordering Information

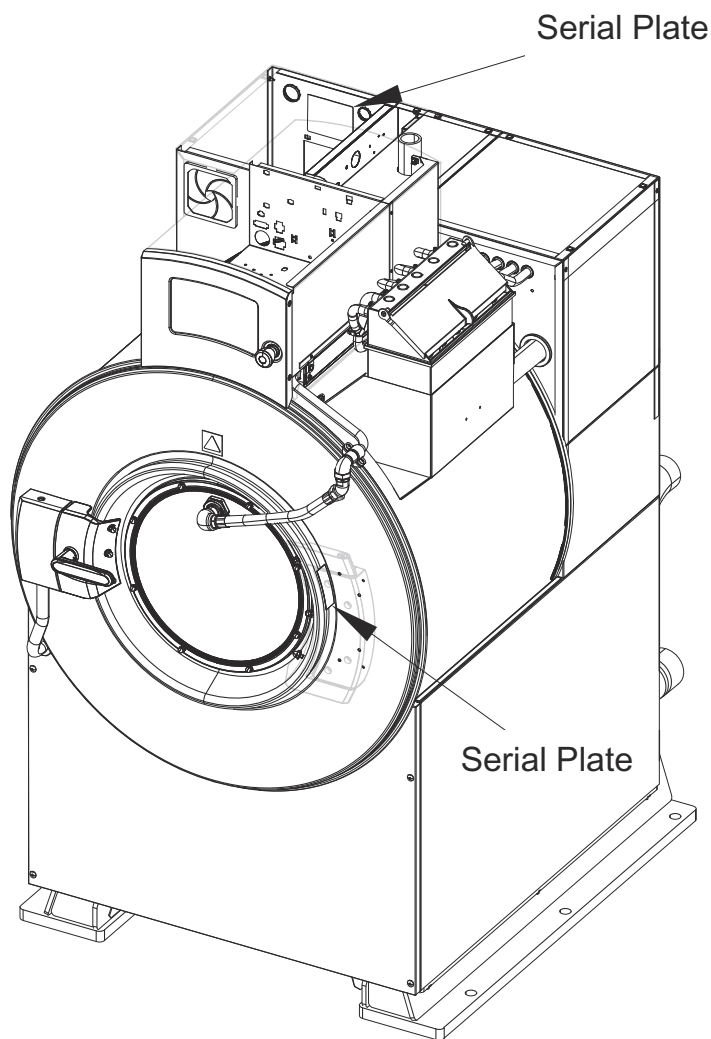
If literature or replacement parts are required, contact the source from whom the machine was purchased or contact Alliance Laundry Systems at (920) 748-3950 for the name and address of the nearest authorized parts distributor.

For technical assistance, call the number listed below:

(920) 748-3121 Ripon, Wisconsin

Serial Plate Location

When calling or writing about your product, be sure to mention model and serial numbers. Model and serial numbers are located on serial plate(s) as shown.



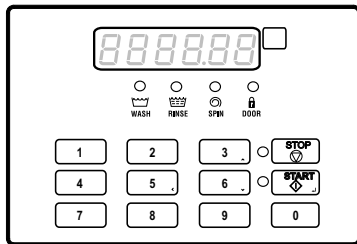
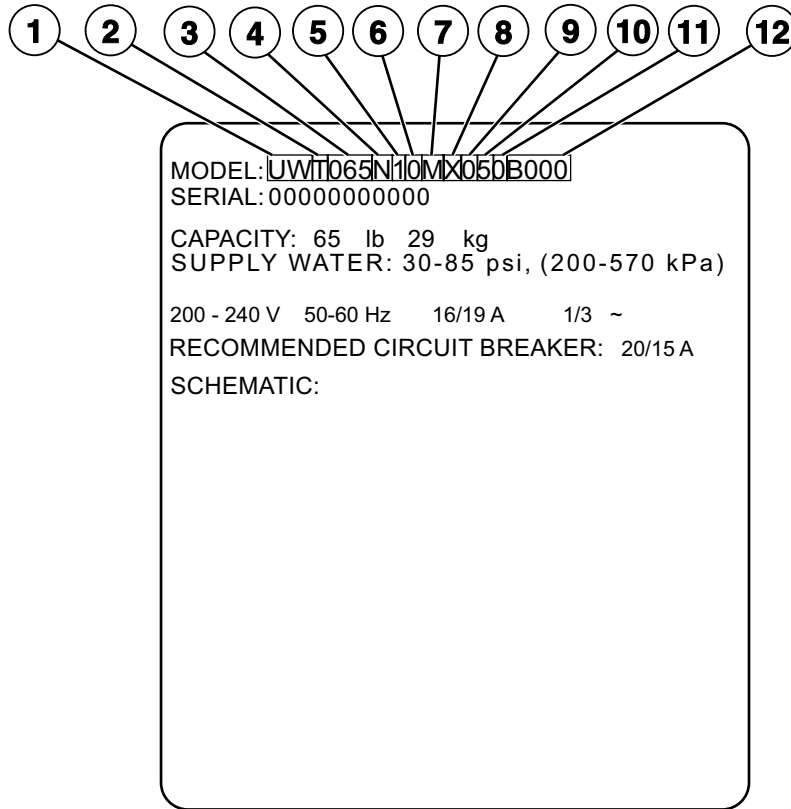
C-PHM2C2_F8672801

Model Identification

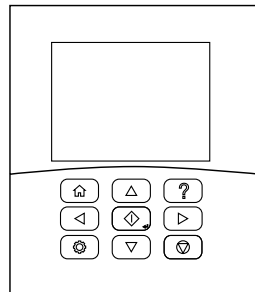
Information in this manual is applicable to these washer-extractor models:

UWG045D3	UWK045D3
UWG045D4	UWK045D4
UWG045N1	UWK045N1
UWG045N2	UWK045N2
UWG065D3	UWK045V3
UWG065D4	UWK045V4
UWG065N1	UWK065D3
UWG065N2	UWK065D4
UWH045D3	UWK065N1
UWH045D4	UWK065N2
UWH045N1	UWK065V3
UWH045N2	UWK065V4
UWH065D3	UWT045D3
UWH065D4	UWT045D4
UWH065N1	UWT045N1
UWH065N2	UWT045N2
UWJ045D3	UWT045V3
UWJ045D4	UWT045V4
UWJ045N1	UWT065D3
UWJ045N2	UWT065D4
UWJ045V3	UWT065N1
UWJ045V4	UWT065N2
UWJ065D3	UWT065V3
UWJ065D4	UWT065V4
UWJ065N1	UWU045D3
UWJ065N2	UWU045D4
UWJ065V3	UWU045N1
UWJ065V4	UWU045N2
	UWU045V3
	UWU045V4
	UWU065D3
	UWU065D4
	UWU065N1
	UWU065N2
	UWU065V3
	UWU065V4

Pocket Hardmount Washer-Extractor Product Overview



M30 Control



UniLinc Control



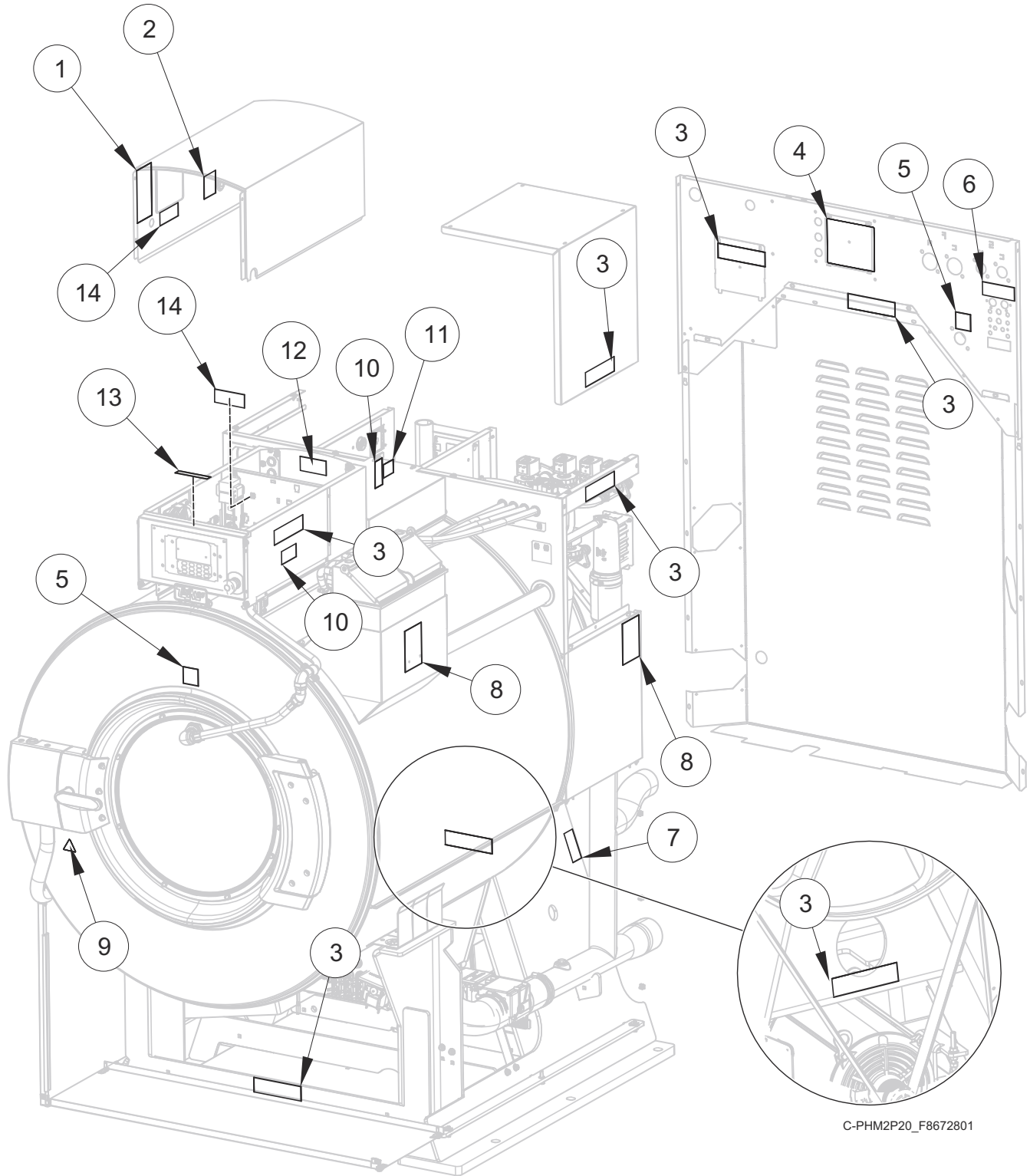
UniLinc Touch Control

PHM3341P

Pocket Hardmount Washer-Extractor Product Overview

REF	PART NO.	DESCRIPTION	COMMENTS
1	-	Product Family	UW
2	-	Market Approvals	G (UL International) H (China-ROHS) J (Japan) K (Korea) T (UL North America) U (CE/EAC)
3	-	Capacity (Dry Weight in Pounds)	045 065 085 105 130 160 200
4	-	Control	N (M30 Control) D (UniLinc Control) V (UniLinc Touch Control)
5	-	Spray/Dispenser Feature	1 (No spray but with dispenser) 2 (No spray or dispenser) 3 (With spray and dispenser) 4 (With spray but no dispenser)
6	-	Open Digit	0 (Standard)
7	-	Speed	L (Low-Speed - 100G) M (Medium-Speed - 200G) V (Variable-Speed - 300G or 400G)
8	-	Voltage	X (200-240/50-60/1/3) Q (200-240/50-60/3) P (380-415/50/60/3) N (440-480/50/60/3)
9	-	Open Digit	0 (Standard)
10	-	Design Series	5
11	-	Heat Feature	0 (Standard/prep for steam heat) D (Direct steam) E (Electric heat) T (Electric and steam heat)
12	-	Features and Options	

Labels

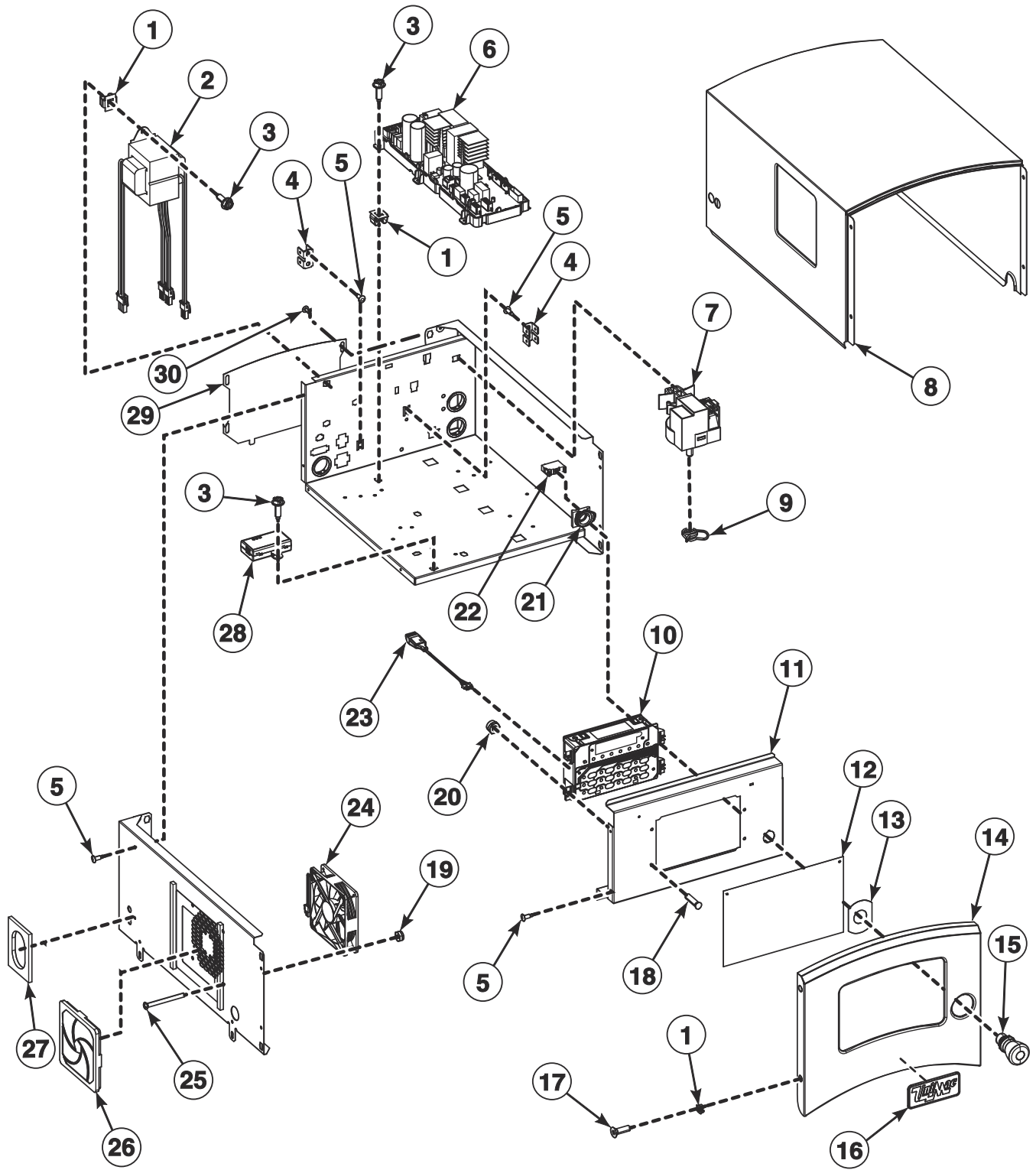


C-PHM2P20_F8672801

Labels

REF	PART NO.	DESCRIPTION	COMMENTS
1	F8614801	Label	Warning fire/injury; English/Quebec/French
2	F8613701	Label	Notice grease instruction; English/Quebec/French
3	44324001	Warning Label	
	F8614201	Shock Warning Label	Icon
	F8615701	Pinch Warning Label	Icon
4	F8611601	Warning Label	Warning; English/Quebec/French
5	F8614301	Hot Surface Warning Label	English/Quebec/French
	F8609001	Hot Surface Warning Label	Icon
6	F8609801	Label	Notice drill ports; English/Quebec/French
7	70538401	Pinch Warning Label	English/French
	F8615701	Pinch Warning Label	Icon
8	F8615901	Label	Warning chemical; English/Quebec/French
9	F8614201	Shock Warning Label	Icon
10	F8601301	Label	Warning underground components
11	F8620801	Label	Warning current leakage
12	F8614401	Shock Warning Label	English/French
	F8614201	Shock Warning Label	Icon
13	F8614501	Danger Label	English/Quebec/French
14	F8614601	Label	Warning; Notice clean filter; English/Quebec/French

Control Module - Models with D3, D4, N1, and N2 in the 7th and 8th Positions

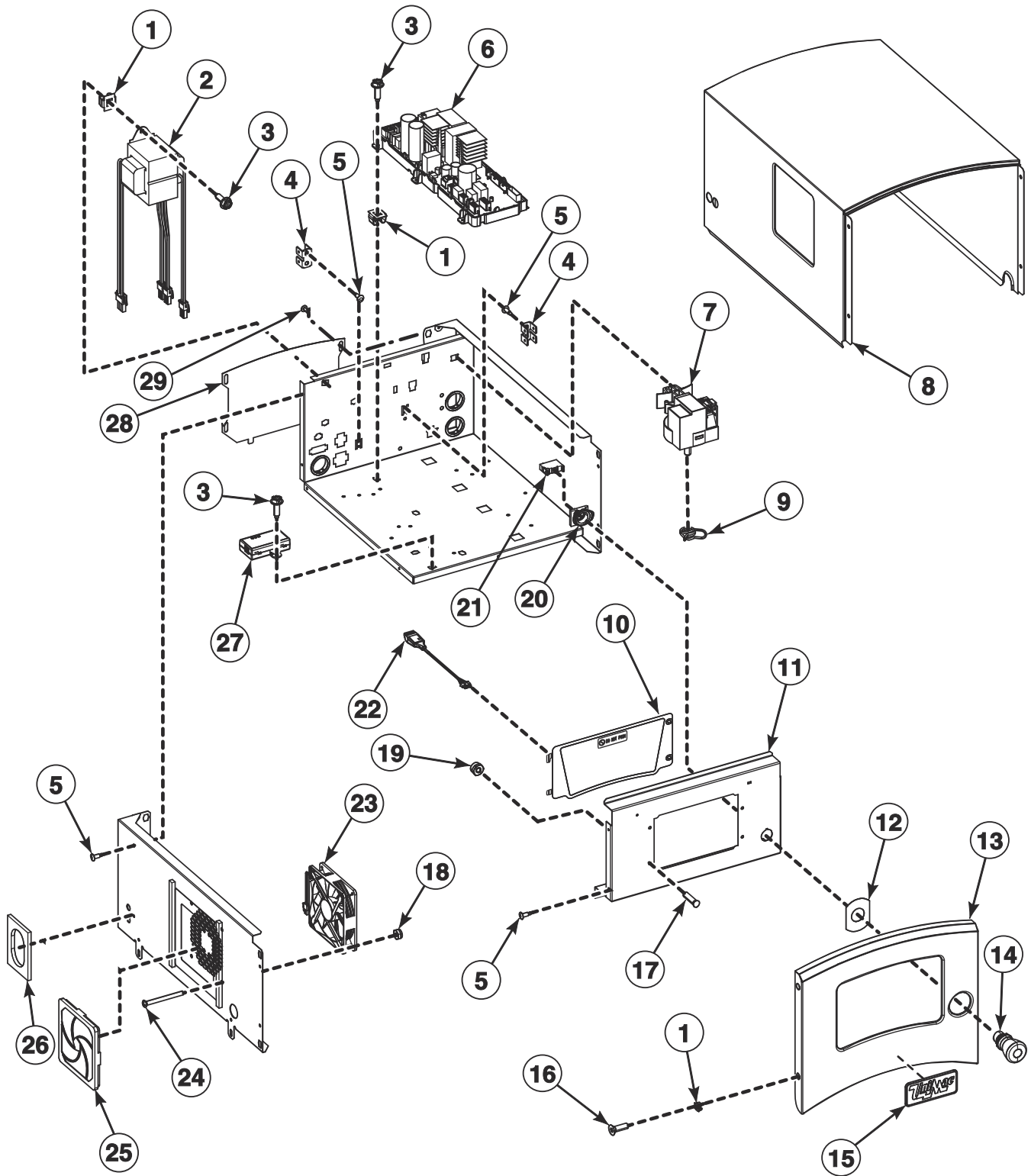


C-PHM2P30

Control Module - Models with D3, D4, N1, and N2 in the 7th and 8th Positions

REF	PART NO.	DESCRIPTION	COMMENTS
	F8519404	E-Stop Harness	
	F8566501	Module Box Fan Harness	
	F8566201	Module Box Power Harness	
	F8520407	Wireless Harness	
	F8519503	Installation/Operation Communication Harness	
	F8555501	Module Box Assembly	Models with D3 and D4 in the 7th and 8th positions; Includes items 1-7, 9-11, 13, 15, 18, 20-26, 28, F190701 Grease Fitting, F422114 Connector, box panels, hardware and harnesses
	F8555502	Module Box Assembly	Models with N1 and N2 in the 7th and 8th positions; Includes items 1-7, 9-11, 13, 15, 18, 20-26, 28, F190701 Grease Fitting, F422114 Connector, box panels, hardware and harnesses
	F8598302	Harness	Thermistor
	F8566301	Harness	24VAC; Configuration Harness
	F8617901	Harness	USB Interface
1	70030501	Expansion Clip	
2	202758	Transformer	220/24V
3	F8206901	Screw	
4	00622SG	Terminal	Male
5	M400003	Pop Rivet	
6	F8494101P	Input and Output Control Assembly	
7	F8623401	Pressure Sensor	
	F8405301	Hose	
8	F8412503	Module Box Top	45 pound models
	F8412504	Module Box Top	65 pound models
9	39282	Hose Clamp	
10	F8493902	Control Assembly	Models with N1 and N2 in the 7th and 8th positions
	F8616203	Control Assembly	Models with D3 and D4 in the 7th and 8th positions
11	F8555703	Control Plate	Models with N1 and N2 in the 7th and 8th positions
	F8555701	Control Plate	Models with D3 and D4 in the 7th and 8th positions
12	F8612901	Control Decal	Models with N1 and N2 in the 7th and 8th positions
	F8665501	Control Decal	Models with D3 and D4 in the 7th and 8th positions
13	44012902	Emergency Stop Label	
14	F8664201	Module Box Front Panel	Includes item 16
15	F200233500	Emergency Stop Pushbutton	
16	F8443105	Nameplate	
17	F8413701	Screw	
18	F8590801	Stud	
19	F430231	Nut	
20	685846	Nut	
21	F8538101	Contact Base	
22	F8069501	Contact Switch	
23	203361P	Machine ID Control Assembly	
24	F8623601	Fan	
25	F8151201	Screw	
26	F8578501	Filter Retainer Guard	
27	F8617601	Seal Pad	
28	203440	USB-Serial Interface Assembly	
29	F8408901	Module Box Panel	Rear
30	F8117601	Screw	

Control Module - Models with V3 and V4 in the 7th and 8th Positions

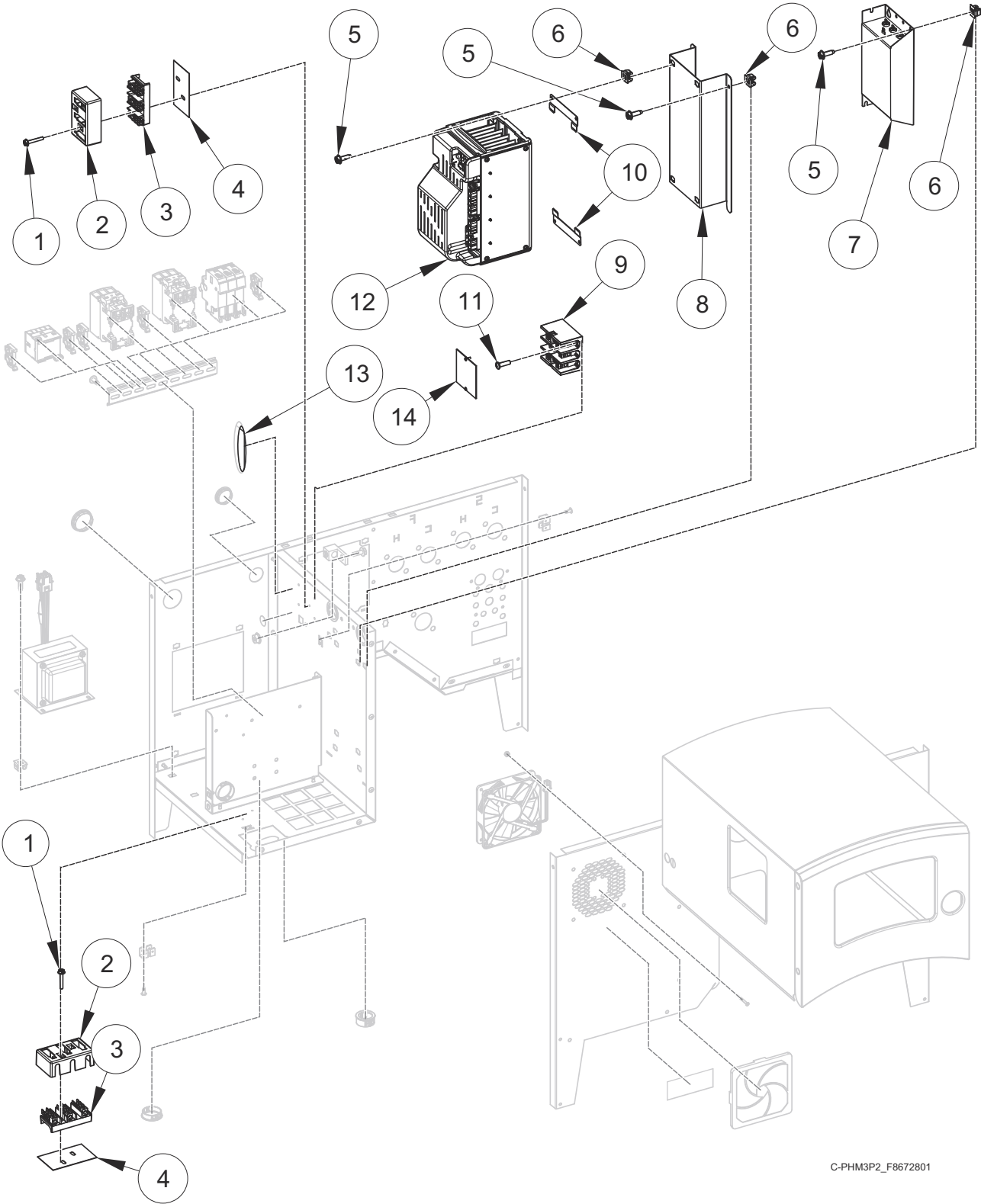


PHM3340P

Control Module - Models with V3 and V4 in the 7th and 8th Positions

REF	PART NO.	DESCRIPTION	COMMENTS
	F8519404	E-Stop Harness	
	F8566501	Module Box Fan Harness	
	F8566203	Module Box Power Harness	
	F8520407	Wireless Harness	
	F8734904	Wireless Control Board Label	
	F8519503	Installation/Operation Communication Harness	
	F8598302	Harness	Thermistor
	F8566301	Harness	24VAC; Configuration Harness
	F8617901	Harness	USB Interface
1	70030501	Expansion Clip	
2	202758	Transformer	220/24V
3	F8206901	Screw	
4	00622SG	Terminal	Male
5	M400003	Pop Rivet	
6	F8494101P	Input and Output Control Assembly	
7	F8623401	Pressure Sensor	
	F8405301	Hose	
8	F8412503	Module Box Top	45 pound models
	F8412504	Module Box Top	65 pound models
9	39282	Hose Clamp	
10	F8746104	Control Assembly	
11	F8555704	Control Plate	
12	44012902	Emergency Stop Label	
13	F8746001	Module Box Front Panel	Includes item 16
14	F200233500	Emergency Stop Pushbutton	
15	F8443105	Nameplate	
16	F8413701	Screw	
17	F8590801	Stud	
18	F430231	Nut	
19	685846	Nut	
20	F8538101	Contact Base	
21	F8069501	Contact Switch	
22	203361P	Machine ID Control Assembly	
23	F8623601	Fan	
24	F8151201	Screw	
25	F8578501	Filter Retainer Guard	
26	F8617601	Seal Pad	
27	203440	USB-Serial Interface Assembly	
28	F8408901	Module Box Panel	Rear
29	F8117601	Screw	

Inverter Drive Box (Drawing 1 of 2)

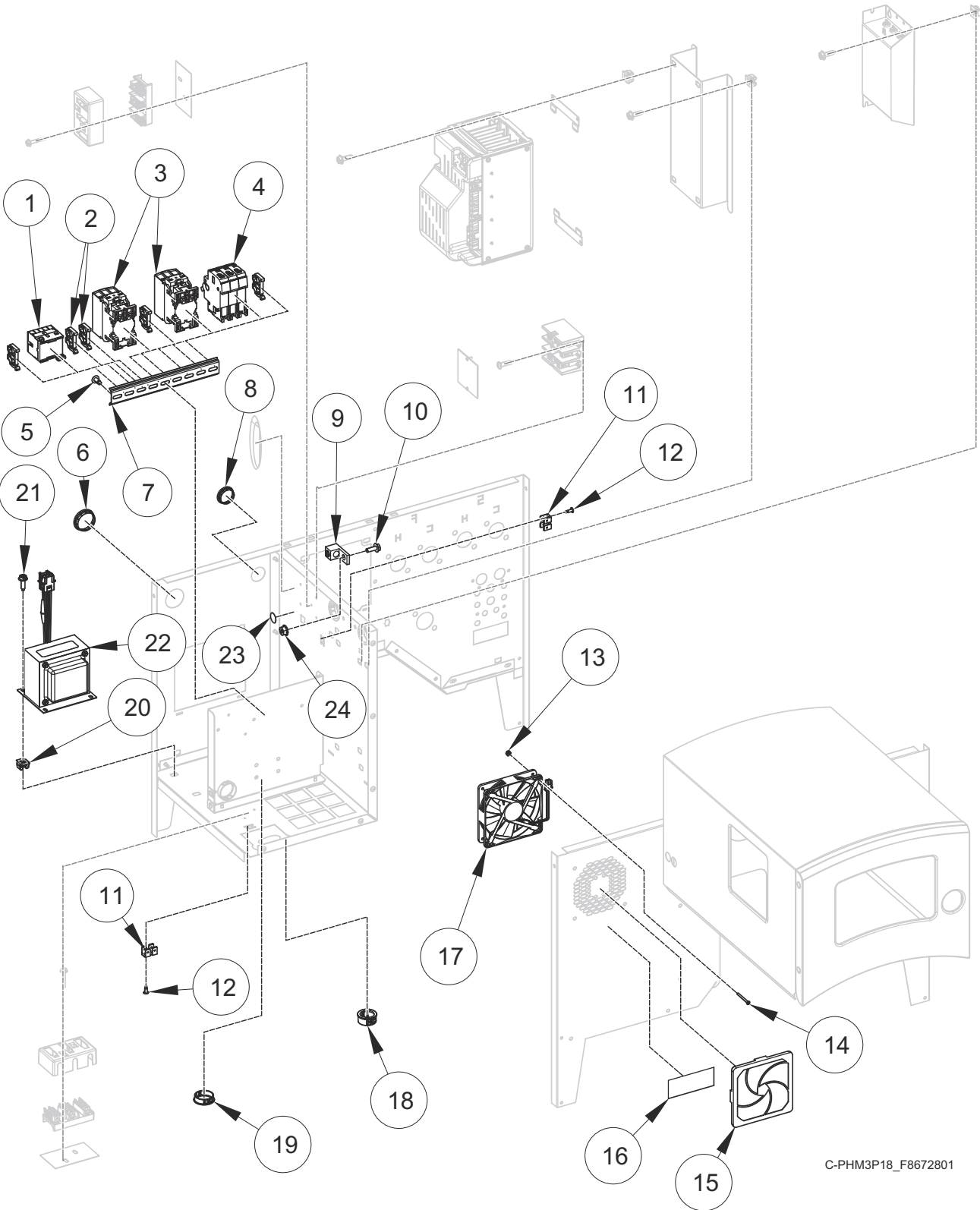


C-PHM3P2_F8672801

Inverter Drive Box (Drawing 1 of 2)

REF	PART NO.	DESCRIPTION	COMMENTS
	F8565401	Control Power Harness	UWU models with Q and X voltage
	F8565402	Control Power Harness	UWG, UWH, UWJ, UWK and UWT models with Q voltage; Electric heat
	F8565601	Power Harness	UWU models with N and P voltage
	F8565602	Power Harness	UWG, UWH, UWJ, UWK and UWT models with N and P voltage; Electric heat
	F8565501	Power Harness	UWG, UWH, UWJ, UWK and UWT models with N, P and X voltage
	F8565502	Power Harness	UWG, UWH, UWJ, UWK and UWT models with N, P and Q voltage; Electric heat
	F8565801	Power Harness	UWU models with N, P, Q and X voltage
	F8582801	Power Harness	UWG, UWH, UWJ, UWK and UWT models with N, P, Q and X voltage
	F8565701	Drive Communication Harness	
	F8662102	Filter Kit	N and P voltage; Includes items 1-6, 8, F8637501 Filter, F140700 Connector, harnesses and hardware
	F8662104	Filter Kit	N and P voltage with heat; Includes items 1-6, 8, F8637501 Filter, F140700 Connector, harnesses and hardware
	F8662103	Filter Kit	Q voltage; Includes items 1-6, 8, F8591801 Filter, F140700 Connector, harnesses and hardware
	F8662101	Filter Kit	X voltage; Includes items 1-6, 8, F8591801 Filter, F140700 Connector, harnesses and hardware
1	51783	Screw	
2	70333001	Terminal Block Shield	
3	430642	Terminal Block	
4	M413862	Insulator	
5	F8206901	Screw	
6	70030501	Expansion Clip	
7	F8591801	EMI Filter	200/240; 1/3PH
	F8637501	EMI Filter	380/480; 3PH
8	F8601101	Drive Mounting Bracket	
9	M413865	Power Distribution Block	
10	F8322401	Drive Mounting Bracket	Use with items 7 and 11
11	39733	Screw	
12	F8496601	Drive Assembly	240 Volt
	F8496901	Drive Assembly	450 Volt
13	44286803	Label	
14	44014901P	Power Distribution Block Cover	

Inverter Drive Box (Drawing 2 of 2)

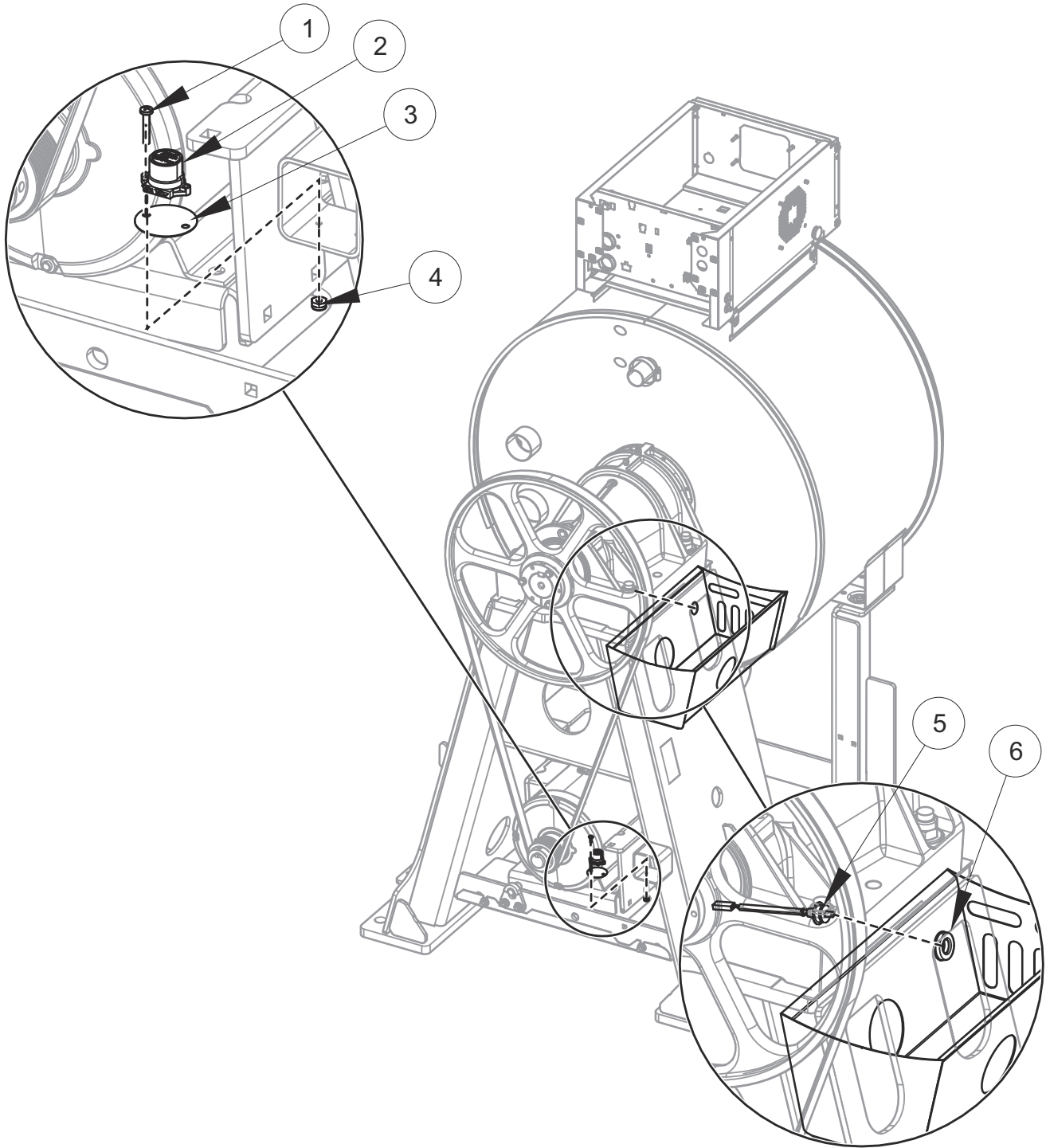


C-PHM3P18_F8672801

Inverter Drive Box (Drawing 2 of 2)

REF	PART NO.	DESCRIPTION	COMMENTS
1	70482601	Contactora	5.5kW; 500V: AC3; 24VDC
2	F8449801	End Stop	
3	70482701	Contactora	Electric heat; 50A; 24VDC
4	70488101	Circuit Breaker	3P; 25A
5	70058501	Pop Rivet	
6	F8223801	Hole Plug	
7	F8134101	DIN Rail	
8	F8223901	Plug	
9	M411283	Ground Lug Connector	
10	685837	Screw	
11	00622SG	Terminal	Ground
12	M400003	Pop Rivet	
13	F430231	Nut	
14	F8151201	Screw	
15	F8578501	Filter Retainer Guard	
16	F8614601	Label	Warning
17	F8623601	Fan	
18	44071501	Snap Bushing	
19	70346501	Bushing	
20	70030501	Expansion Clip	
21	F8206901	Screw	
22	F8512001	Transformer	230/400/460V
23	D516100	Label	
24	44088001	Nut	

Vibration Switch and Temperature Probe

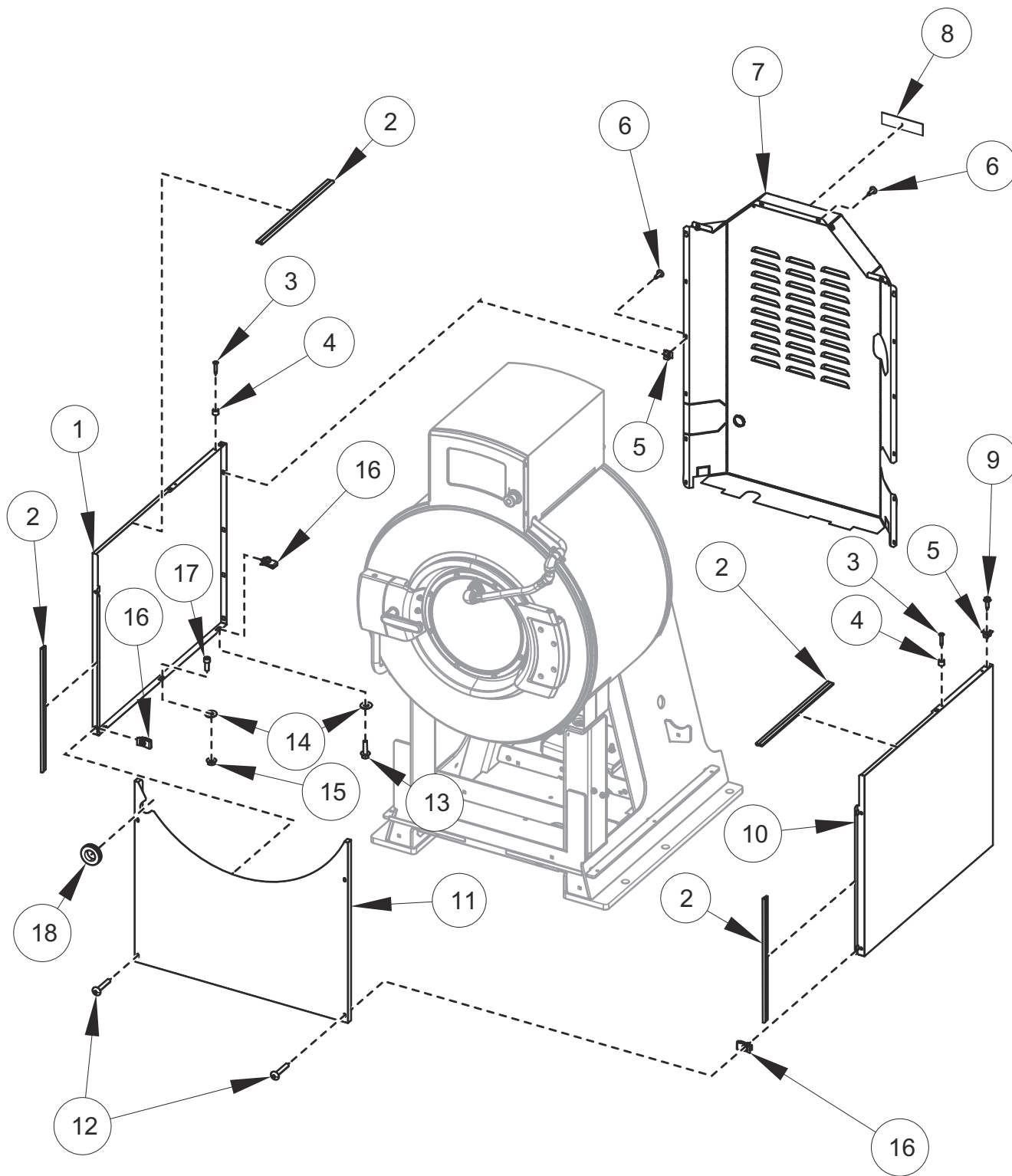


C-PHM3P25_F8672801

Vibration Switch and Temperature Probe

REF	PART NO.	DESCRIPTION	COMMENTS
1	M401938	Screw	
2	F8204001	Vibration Switch	
3	F8337301	Vibration Switch Shield	
4	F430225	Nut	
5	F8538801	Thermistor	
6	2251000400	Temperature Probe Grommet	

Panels

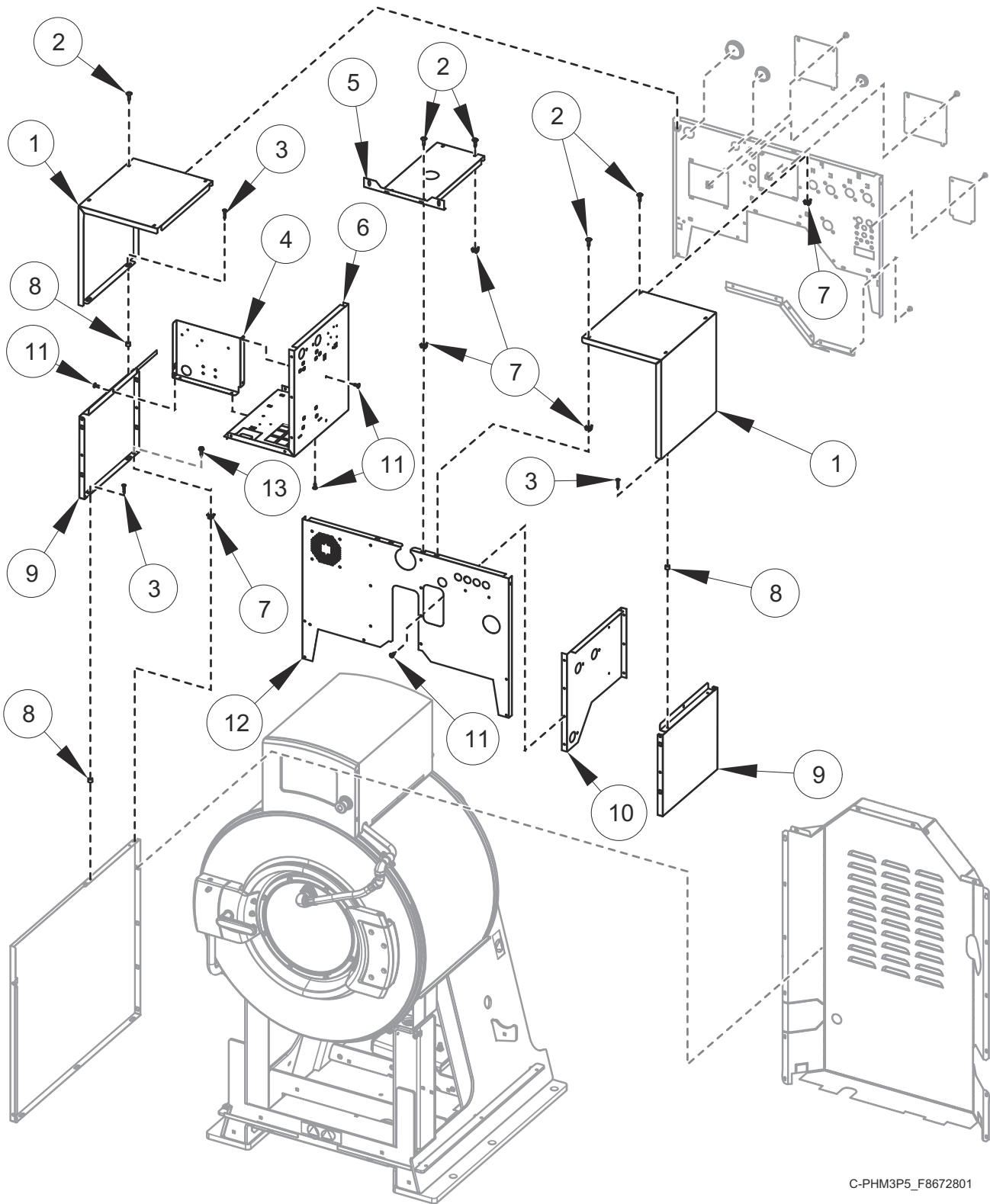


C-PHM3P4_F8672801

Panels

REF	PART NO.	DESCRIPTION	COMMENTS
1	F8407902	Left Side Panel	45 pound models
	F8407904	Left Side Panel	65 pound models
2	F8412801	Trim	45 pound models
	F8412802	Trim	65 pound models
3	M412763	Rivet	
4	56079	Panel Locator	
5	70030501	Expansion Clip	
6	F8117601	Screw	
7	F8487901	Belt Guard Assembly	
8	44324001	Warning Label	English/French; Pinch/shock
	F8614201	Shock Warning Label	Icon
	F8615701	Pinch Warning Label	Icon
9	F8206901	Screw	
10	F8407901	Right Side Panel	45 pound models
	F8407903	Right Side Panel	65 pound models
11	F8408001	Front Panel	
12	F8560601	Screw	
13	202175	Screw	
14	M405535	Washer	
15	44087101	Nut	
16	70030401	Nut	
17	F8458801	Screw	
18	F170604	Grommet	

Front Bulkhead, Drive Box and Water Supply Box Panels

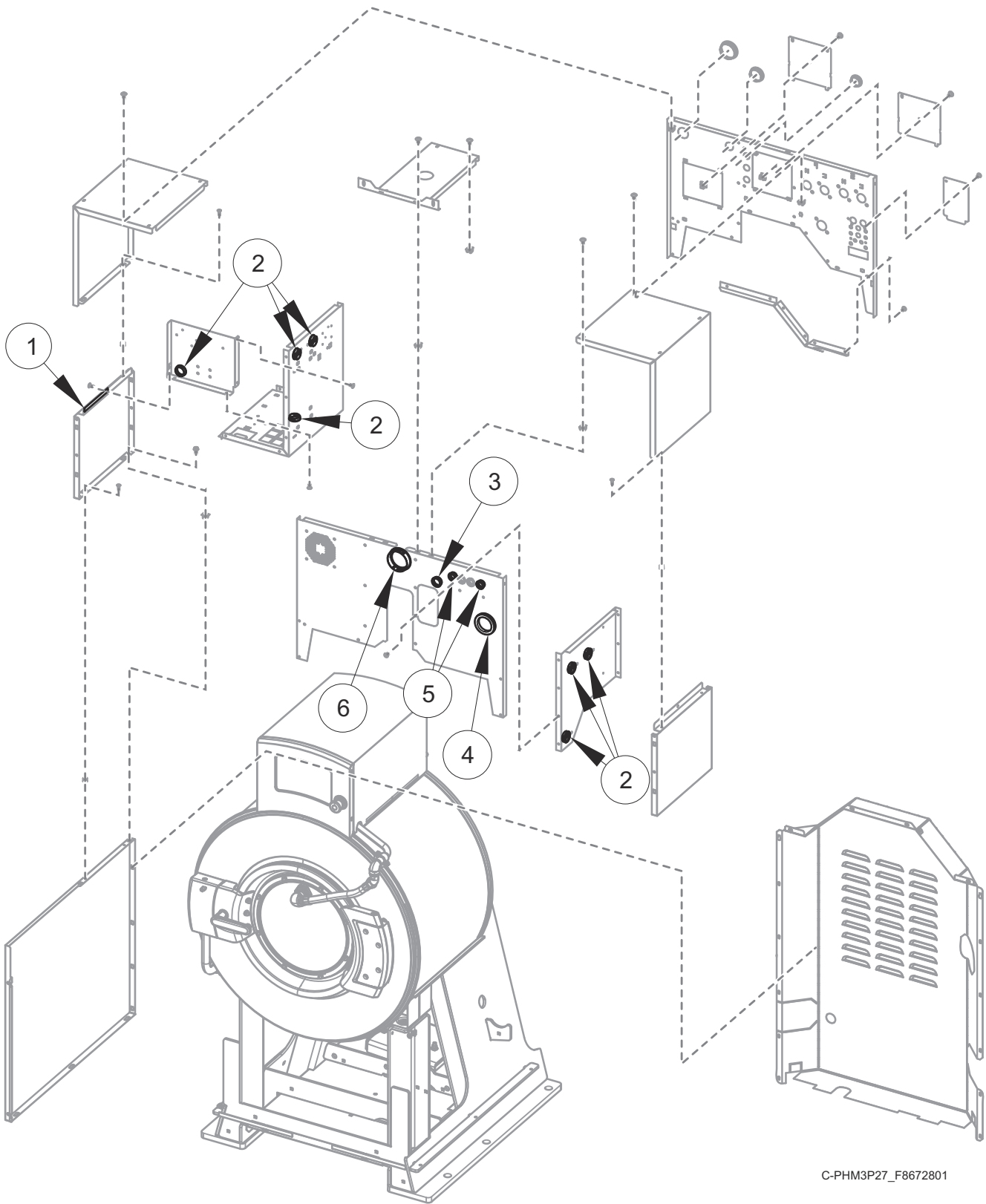


C-PHM3P5_F8672801

Front Bulkhead, Drive Box and Water Supply Box Panels

REF	PART NO.	DESCRIPTION	COMMENTS
1	F8596801	Top Cover	
2	F8117601	Screw	
3	M412763	Rivet	
4	F8571201	Drive Box Partition Panel	
5	F8608301	Top Cover	
6	F8571001	Drive Mounting Panel	
7	70030501	Expansion Clip	
8	56079	Panel Locator	
9	F8577401	Bulkhead Panel	
10	F8578601	Bulkhead Brace	
11	70058501	Pop Rivet	
12	F8577702	Bulkhead Panel	Models with 1 or 3 in the 8th position
	F8577701	Bulkhead Panel	Models with 2 or 4 in the 8th position
13	F8206901	Screw	

Front Bulkhead, Drive Box and Water Supply Box Trim

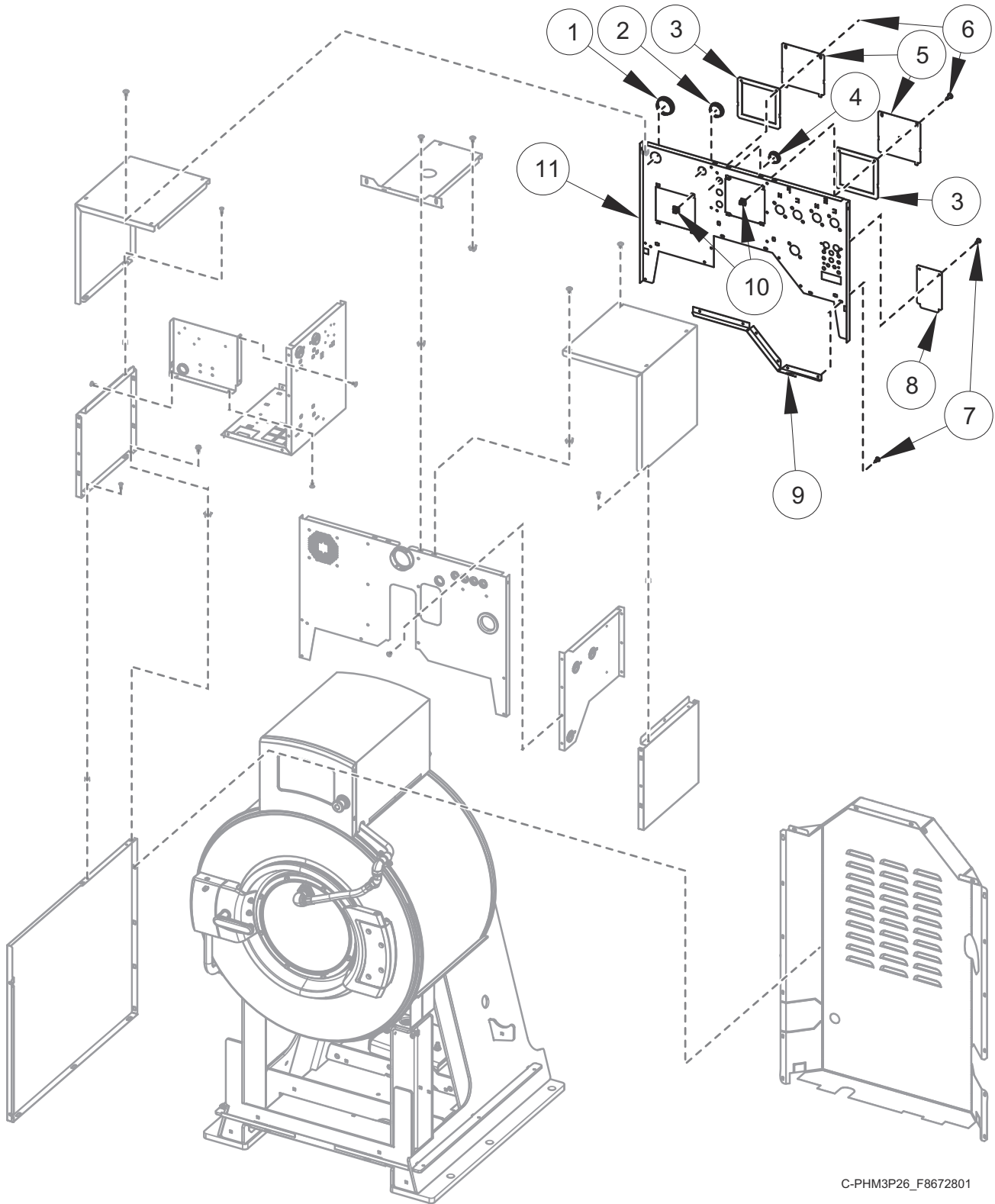


C-PHM3P27_F8672801

Front Bulkhead, Drive Box and Water Supply Box Trim

REF	PART NO.	DESCRIPTION	COMMENTS
1	70531801	Label	
2	70346501	Bushing	
3	70203901	Snap Bushing	
4	F8528401	Grommet	
5	70178701	Snap Bushing	
6	F8332501	Snap Bushing	

Rear Bulkhead



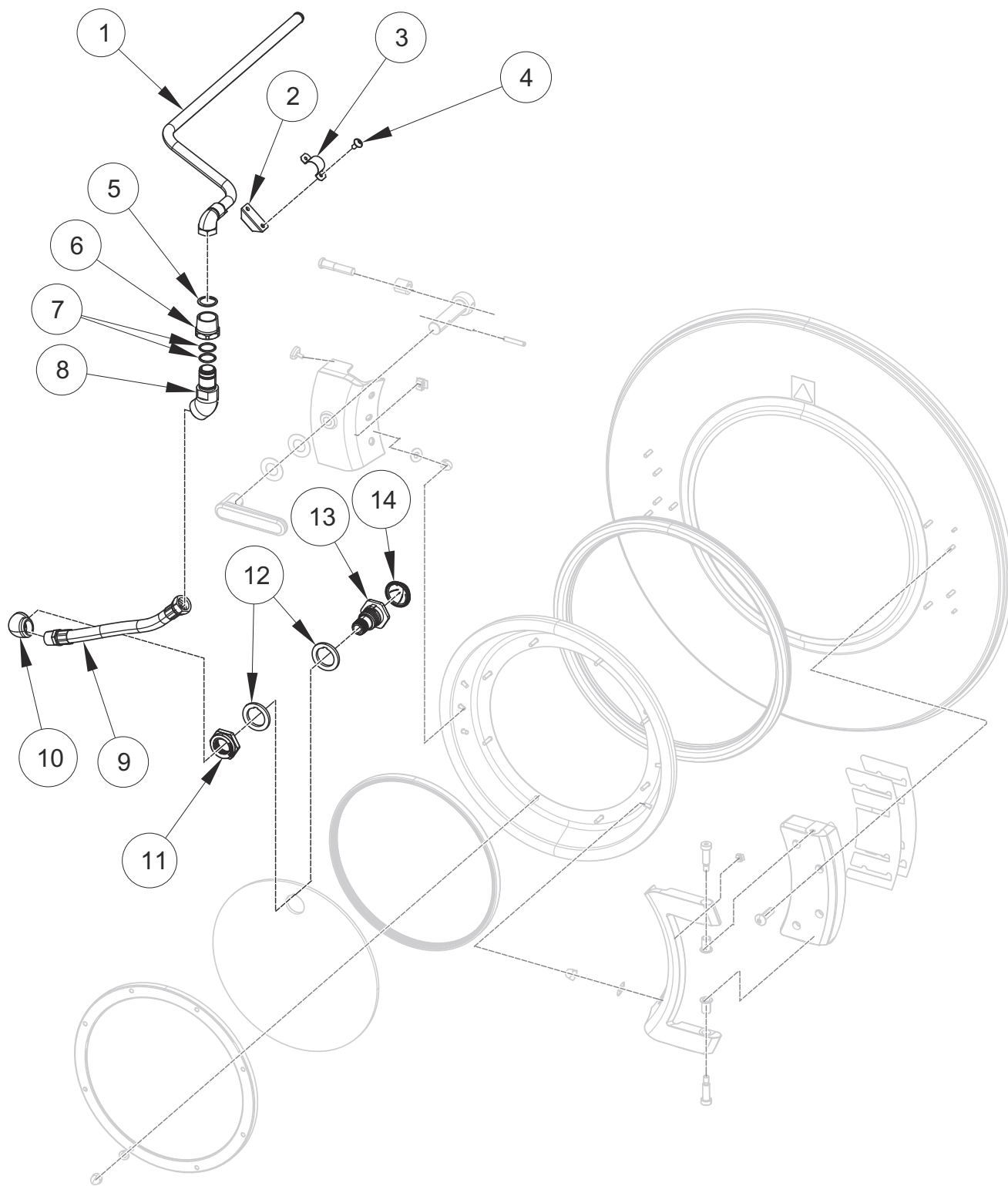
C-PHM3P26_F8672801

Rear Bulkhead

REF	PART NO.	DESCRIPTION	COMMENTS
1	F8223801	Hole Plug	
2	F8223901	Plug	
3	F8609301	Chemical Cover Gasket	
4	M400985	Plug	
5	F8561601	Chemical Connection Cover	
6	F8117601	Screw	
7	70058501	Pop Rivet	
8	F8338602	Dispenser Cover	
9	F8439101	Rear Bulkhead Edging	
10	70030501	Expansion Clip	
11	F8561101	Bulkhead Panel	

Spray Tube Assembly

Models with 3 or 4 in the 8th Position

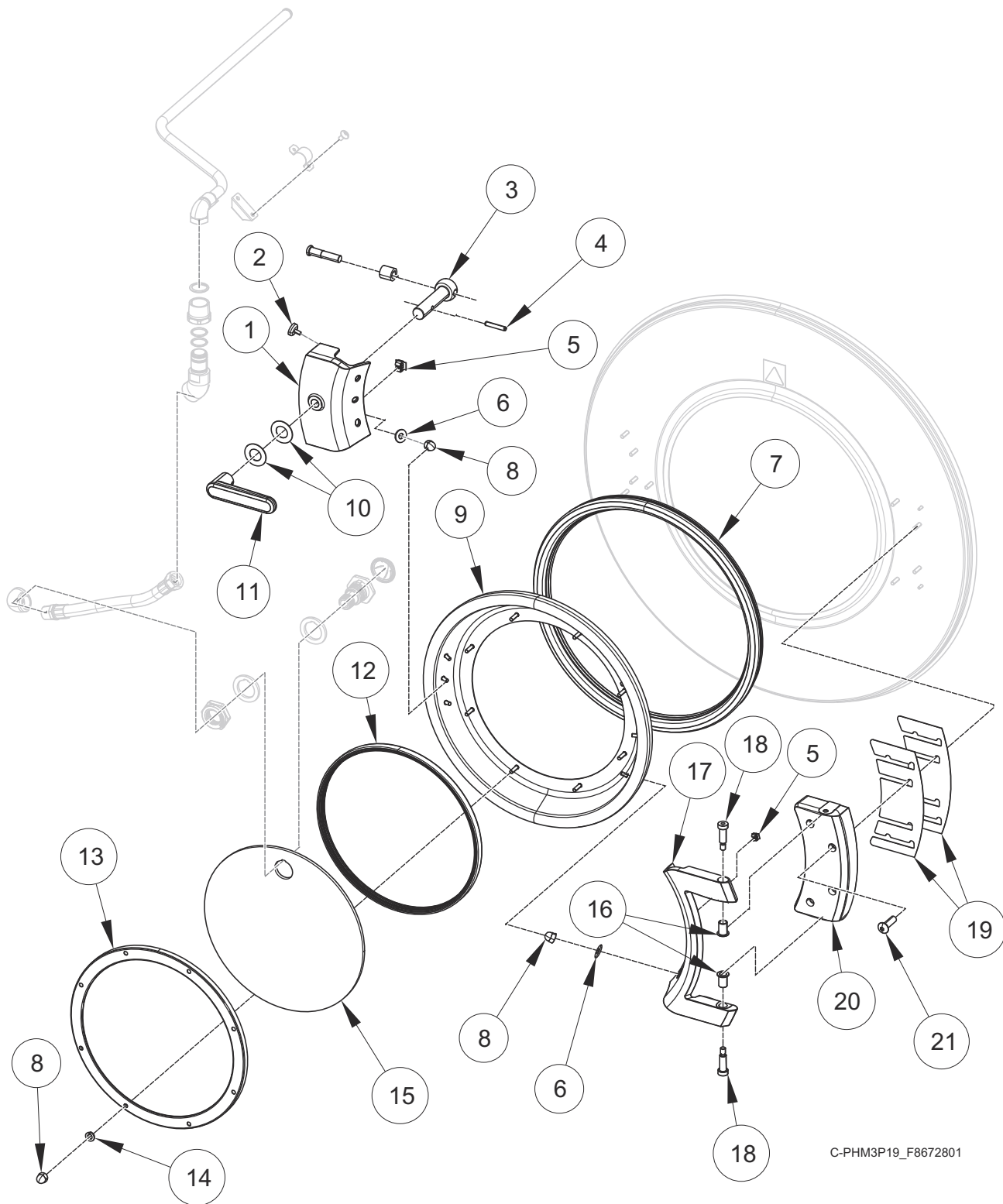


C-PHM3P6_F8672801

Spray Tube Assembly

REF	PART NO.	DESCRIPTION	COMMENTS
	F8504001	Swivel Coupling Assembly	Includes items 5-8
1	F8332302	Spray Rinse Tube Assembly	45 pound models
	F8332301	Spray Rinse Tube Assembly	65 pound models
2	F8451101	Spray Rinse Bracket	
3	F8451701	Spray Rinse Strap	
4	431287	Screw	
5	F310206	Ring Retainer	
6	F8453801	Swivel Coupling Bushing	
7	F170200	O-Ring	
8	F8504001	Swivel Coupling Body	
9	F8508201	Spray Rinse Hose	
10	F8453701	Elbow	
11	F8322601	Nut	
12	F8322701	Spray Nozzle Gasket	
13	F8356101	Door Spray Fitting	
14	F8356301	Door Spray Nozzle Assembly	

Door

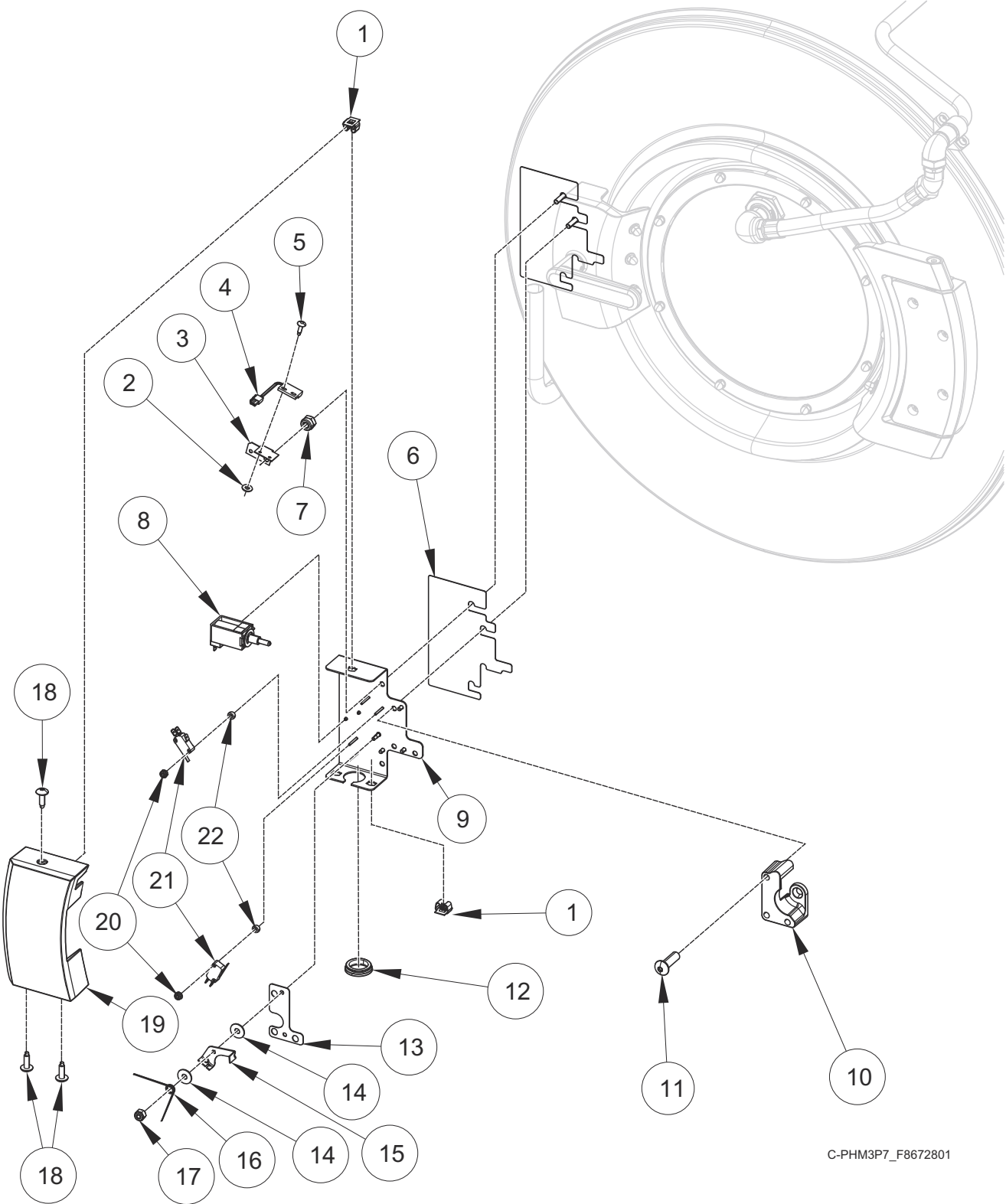


C-PHM3P19_F8672801

Door

REF	PART NO.	DESCRIPTION	COMMENTS
	F8531701	Door Assembly	Models with 1 or 2 in the 8th position; Includes items 1-4 and 6-20
	F8531702	Door Assembly	Models with 3 or 4 in the 8th position; Includes items 1-4 and 6-20
1	F8435701	Handle Mount	
2	F8406201	Magnet	
3	F8221403	Door Latch Arm Assembly	Includes latch arm support and bearing sleeve
4	F431222	Spring Pin	
5	70030501	Expansion Clip	
6	F431147	Washer	
7	F8508501	Door Gasket	
8	F8549401	Nut	
9	F8308001	Door Weldment	
10	F431916	Washer	
11	F8435501	Door Handle	
12	F8499901	Door Glass Gasket	
13	F8323301	Door Glass Retainer	
14	F431100	Washer	
15	C000191	Door Glass	Models with 1 or 2 in the 8th position
	F8323401P	Door Glass	Models with 3 or 4 in the 8th position
16	F8378701	Bushing	
17	F8436001	Door Hinge	
18	F8549301	Bolt	
19	F8398301	Door Hinge Shim	
20	F8435901	Door Lug Hinge	
21	F8270701	Bolt	

Door Lock

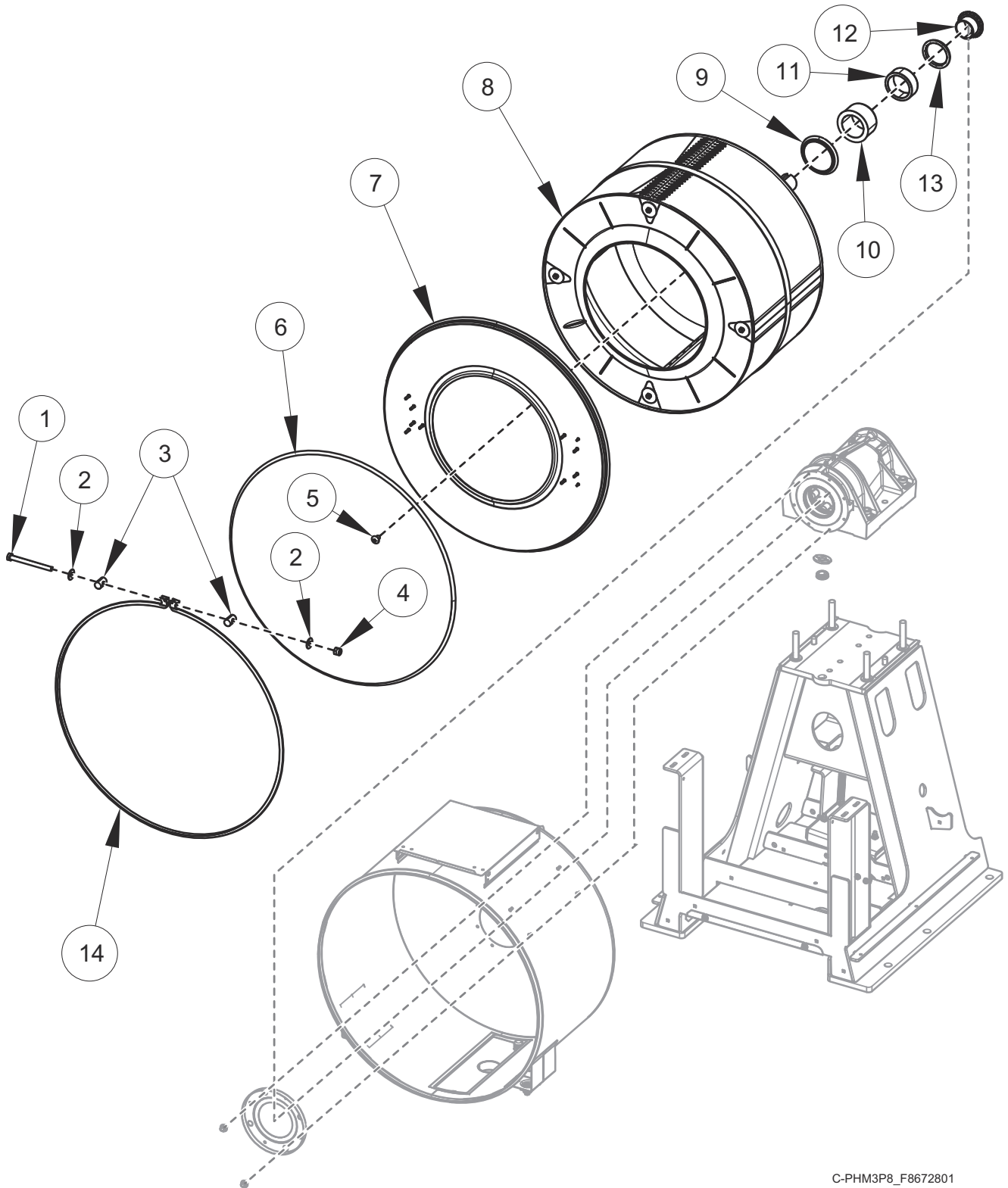


C-PHM3P7_F8672801

Door Lock

REF	PART NO.	DESCRIPTION	COMMENTS
	F8565901	Door Lock Harness	
	F8571801	Door Interlock Harness	
	F8606201	Door Lock Assembly	Includes items 1-5, 8, 9, 14-17, 20-22 and F430977 Screw
1	70030501	Expansion Clip	
2	F431125	Washer	
3	F8402601	Reed Switch Bracket	
4	F8066804	Reed Switch Assembly	
5	F8245101	Blind Rivet	
6	F8489601	Door Lock Plate Shim	
7	F431024	Nut	
8	F8630601	Solenoid	
9	F8320401	Door Lock Plate Assembly	
10	F8344501	Door Lock Catch	
11	F8270701	Bolt	
12	F8457801	Grommet	
13	F8484401	Shim	
14	F8193101	Washer	
15	F8223401	Door Lock Switch Lever	
16	F8070301	Torsion/Door Lock Spring	
17	F430232	Nut	
18	F8117601	Screw	
19	F8435801	Door Lock Cover	
20	F430225	Nut	
21	F200203200	Door Lock Microswitch	
22	F431901	Spacer	

Shell Front and Basket

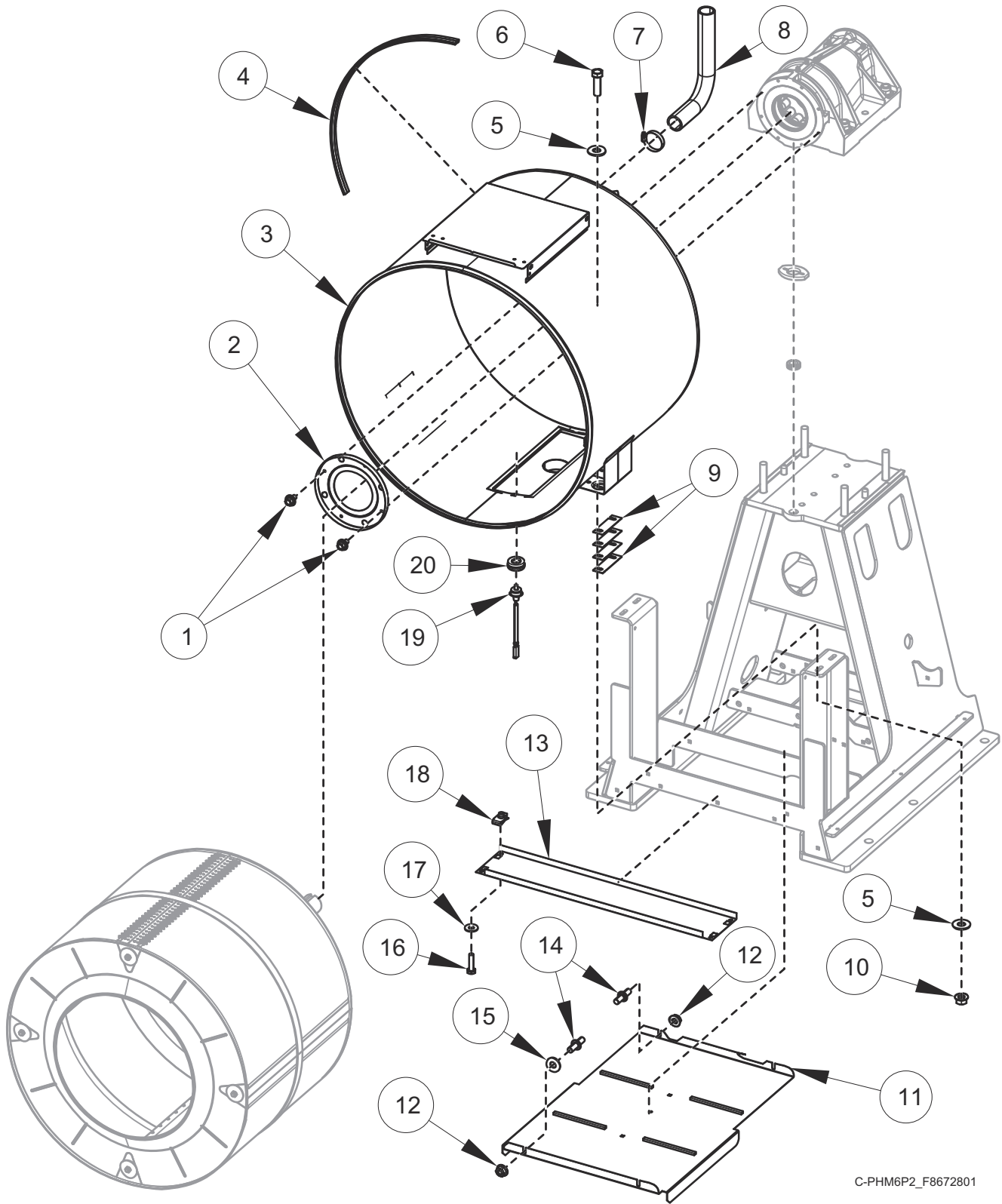


C-PHM3P8_F8672801

Shell Front and Basket

REF	PART NO.	DESCRIPTION	COMMENTS
	F8537805	Shell Front Gasket Kit	Includes items 1-4, 6 and 14
1	F8673701	Screw	
2	M400080	Washer	
3	F8302701	Pin	
4	F430218	Nut	
5	70391101	Screw	
6	F8502305	Shell Band Gasket	
7	F8319901	Shell Front Assembly	
8	F8424202P	Basket Assembly Kit	45 pound models; Includes items 9-11 and 13
	F8424302P	Basket Assembly Kit	65 pound models; Includes items 9-11 and 13
9	F8527701	Excluder Seal	Viton
10	F8343911	Seal Sleeve	
11	F8465401	Bearing	
12	F8382501	Sleeve Adapter	
13	F8464901	Insertion Sleeve	
14	F8388005	Shell Band	

Shell Frame and Seal



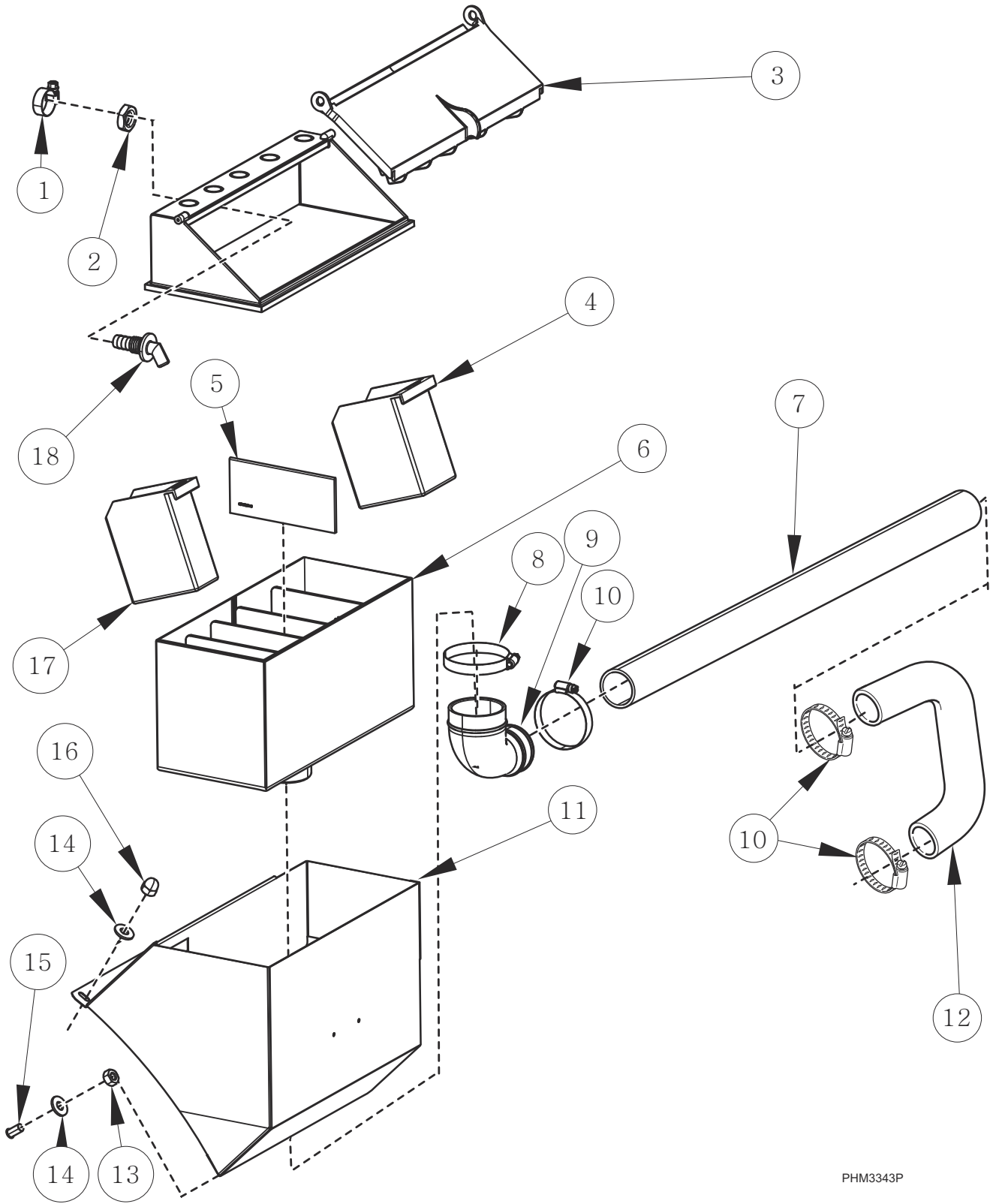
C-PHM6P2_F8672801

Shell Frame and Seal

REF	PART NO.	DESCRIPTION	COMMENTS
1	F8442802	Screw	
2	F8550101	Seal Wear Plate	
3	F8544003	Shell Assembly	45 pound models with 1 or 3 in the 8th position
	F8544004	Shell Assembly	45 pound models with 1 or 3 in the 8th position with electric heat
	F8544001	Shell Assembly	45 pound models with 2 or 4 in the 8th position
	F8544002	Shell Assembly	45 pound models with 2 or 4 in the 8th position with electric heat
	F8544103	Shell Assembly	65 pound models with 1 or 3 in the 8th position
	F8544104	Shell Assembly	65 pound models with 1 or 3 in the 8th position with electric heat
	F8544101	Shell Assembly	65 pound models with 2 or 4 in the 8th position
	F8544102	Shell Assembly	65 pound models with 2 or 4 in the 8th position with electric heat
4	F8412803	Trim	2 pieces
5	M400081	Washer	
6	F430900	Screw	
7	F200215	Hose Clamp	
8	F8363601	Vent Hose	
9	F8630301	Shim	
10	44087301	Nut	
11	F8509401	Frame Shield	
12	44087201	Nut	
13	F8480401	Frame Shield	65 pound models
14	70334702	Stud	
15	M400080	Washer	
16	20253	Screw	65 pound models
17	M405535	Washer	65 pound models
18	70030401	Nut	65 pound models
19	F8538801	Thermistor	
20	2251000400	Temperature Probe Grommet	

Supply Dispenser

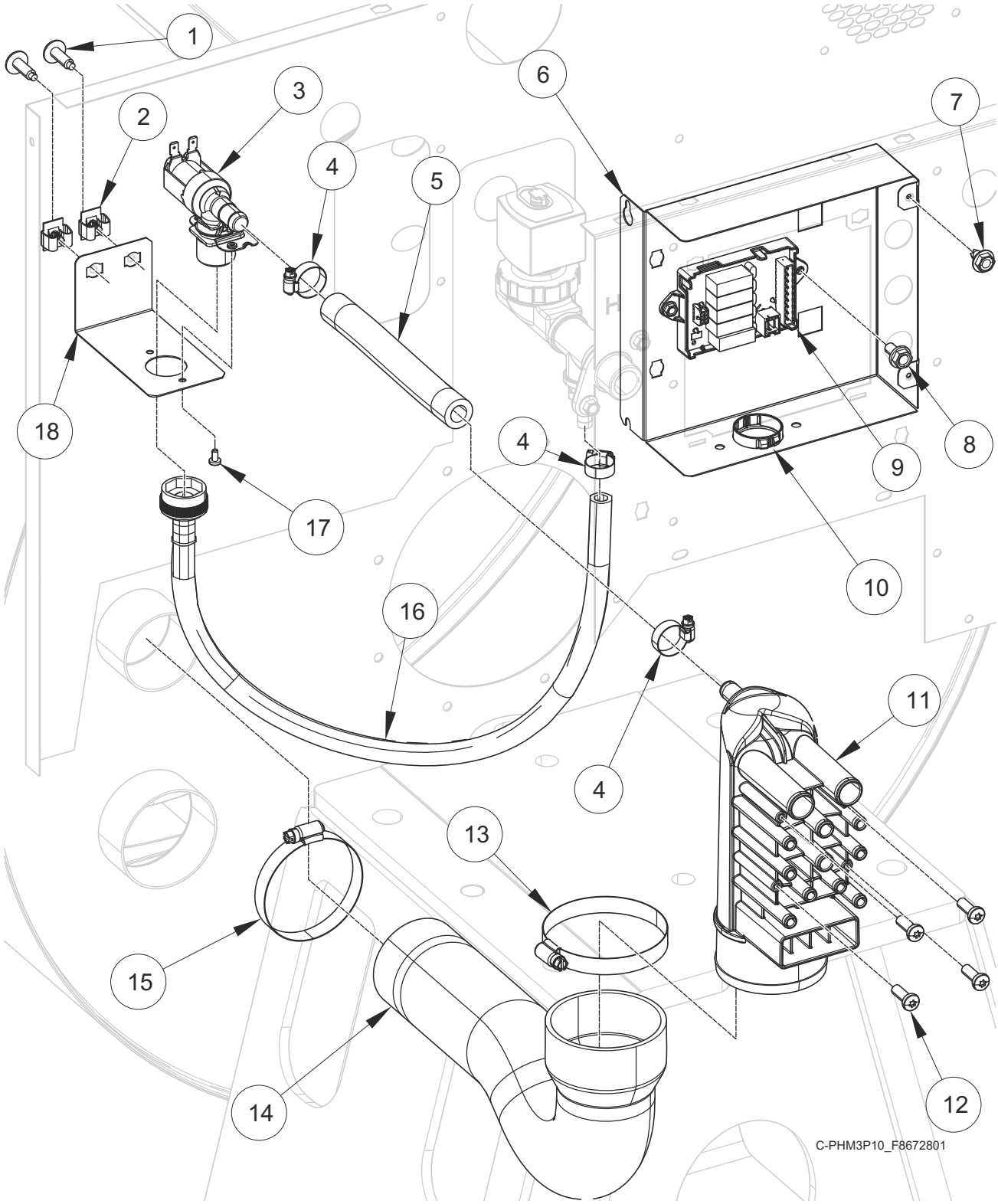
Models with 1 or 3 in the 8th Position



Supply Dispenser

REF	PART NO.	DESCRIPTION	COMMENTS
	F8566102	External Supply Board Communication Harness	4-output
	F8566101	External Supply Board Communication Harness	8-output
	F8566402	External Supply Board Power Harness	4-output
	F8566401	External Supply Board Power Harness	8-output
	F749802	Strain Relief Adapter Kit	
	F190304	Plug Cap	
1	36801	Hose Clamp	
2	802292	Nut	
3	F0150514-00	Dispenser Lid	
4	F150386	Chemical Supply Cup	2 used: 30 ounce supply cup (22 ounce when tilted)
5	F0150525-00	Supply Dispenser Spacer	
6	F0150512-00P	Dispenser Assembly	Includes items 3-8 and 18
7	F8551901	Supply Hose	45 pound models
	F8551902	Chemical Supply Hose	65 pound models
8	F200213	Hose Clamp	
9	F8514301	Elbow	
10	F200415	Hose Clamp	
11	F8024304	Soap Dispenser Shroud Weldment	
12	F8510601	Chemical Supply Drain Hose	
13	F431005	Nut	
14	F431147	Washer	
15	F390301	Stud	
16	F8549401	Nut	
17	F150385	Chemical Supply Cup	3 used; 20 ounce supply cup (12 ounce when tilted)
18	F8322001	Injection Nozzle	

Chemical Injection



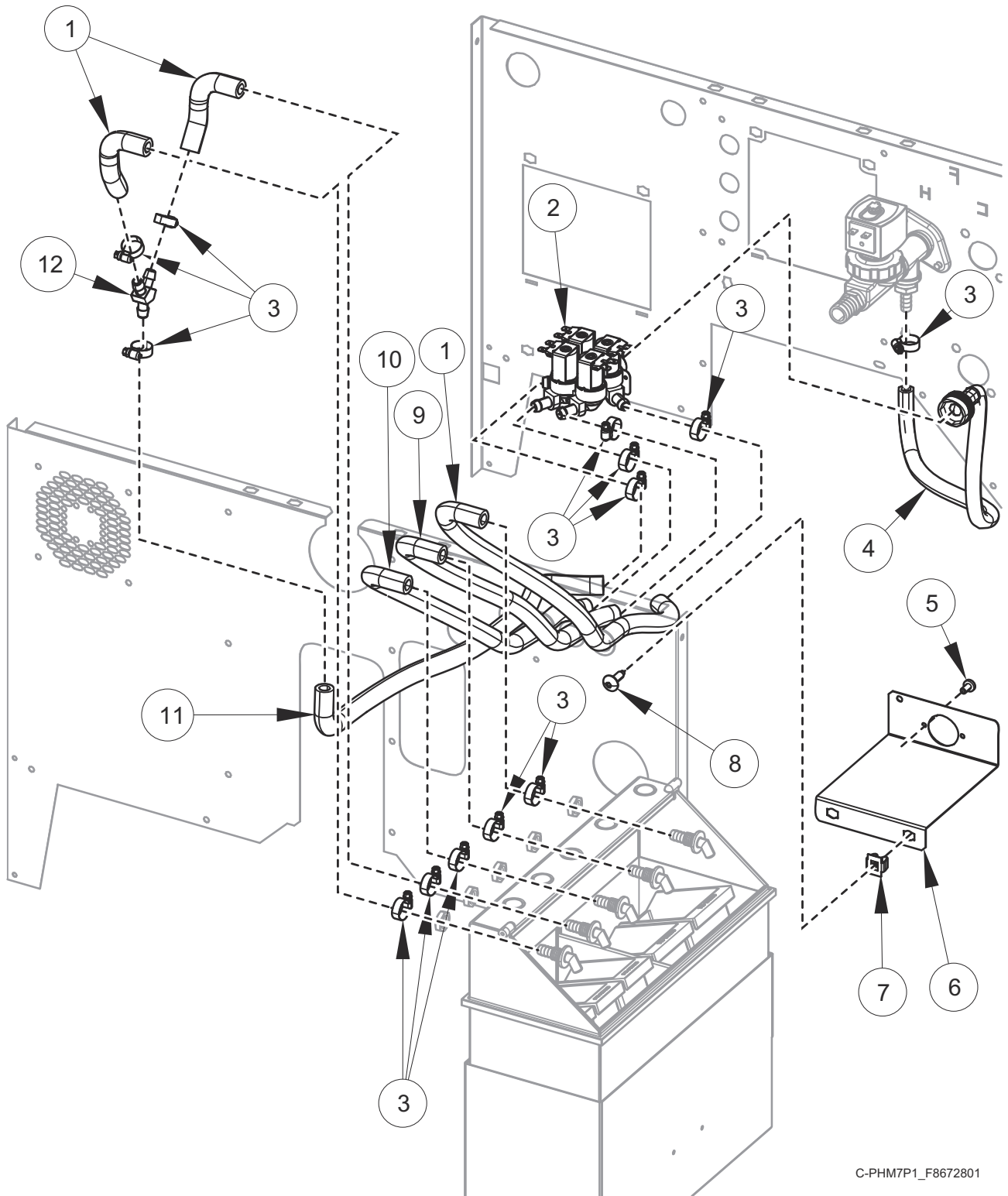
C-PHM3P10_F8672801

Chemical Injection

REF	PART NO.	DESCRIPTION	COMMENTS
	F8597302	Chemical Connection Assembly	5-output; Includes items 6-10
	F8597301	Chemical Connection Assembly	8-output; Includes items 6-10
1	F8117601	Screw	
2	70030501	Expansion Clip	
3	F8579101	Valve	
4	36801	Hose Clamp	
5	F8232007	Hose	
6	F8561401	Chemical Connection Bracket	
7	D503688	Screw	
8	430497	Screw	
9	804528	Chemical Injection Control	5-output
	F8497401	Chemical Injection Control	8-output
	F8555403	Connector	7 pin; H3
	F8555404	Connector	10 pin; H4
	F8555401	Connector	2 pin; H5
	F8555405	Connector	11 pin; H6
	F8555402	Connector	4 pin; H7
	70493102	Connector	9 pin; H2
10	70346501	Bushing	
11	F8538201	Chemical Dispenser	
12	800548	Screw	
13	F200201	Hose Clamp	
14	F8600901	Chemical Injection Hose	
15	F200213	Hose Clamp	
16	F8344602	Hose	
17	F8230301	Screw	
18	F8562201	Water Valve Bracket	

Water Supply Valve and Hoses to Supply Dispenser

Models with 1 or 3 in the 8th Position

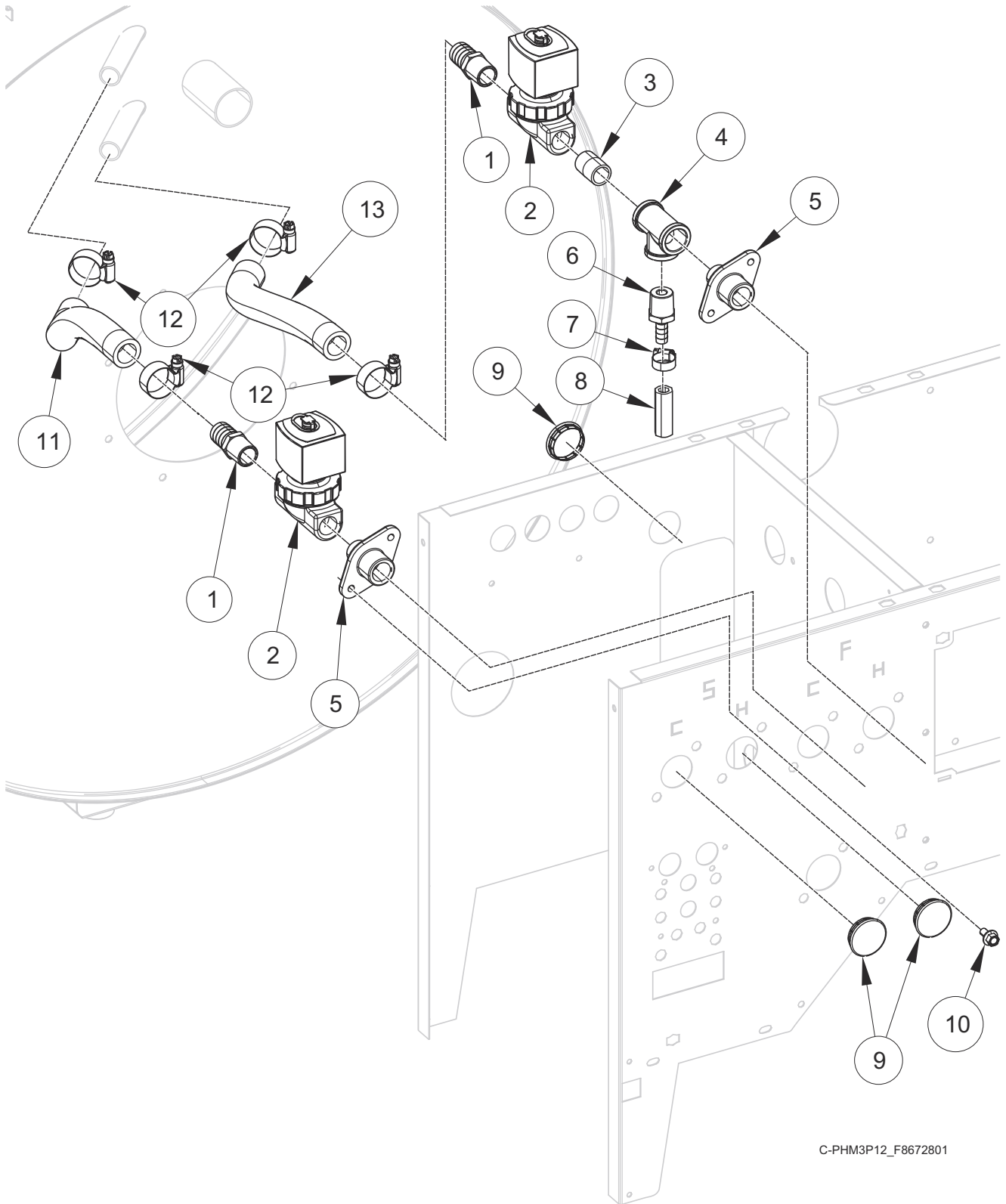


C-PHM7P1_F8672801

Water Supply Valve and Hoses to Supply Dispenser

REF	PART NO.	DESCRIPTION	COMMENTS
1	F8617815	Hose	
2	F8336602	Valve	4 way
3	36801	Hose Clamp	
4	F200509	Water Hose	
5	F8230301	Screw	
6	F8331902	Valve Mounting Bracket	
7	70030501	Expansion Clip	
8	F8117601	Screw	
9	F8617803	Hose	45 pound models
	F8617805	Hose	65 pound models
10	F8617804	Hose	45 pound models
	F8617807	Hose	65 pound models
11	F8617806	Hose	45 pound models
	F8617801	Hose	65 pound models
12	F422816	Y Connector	

Fill Plumbing Assembly



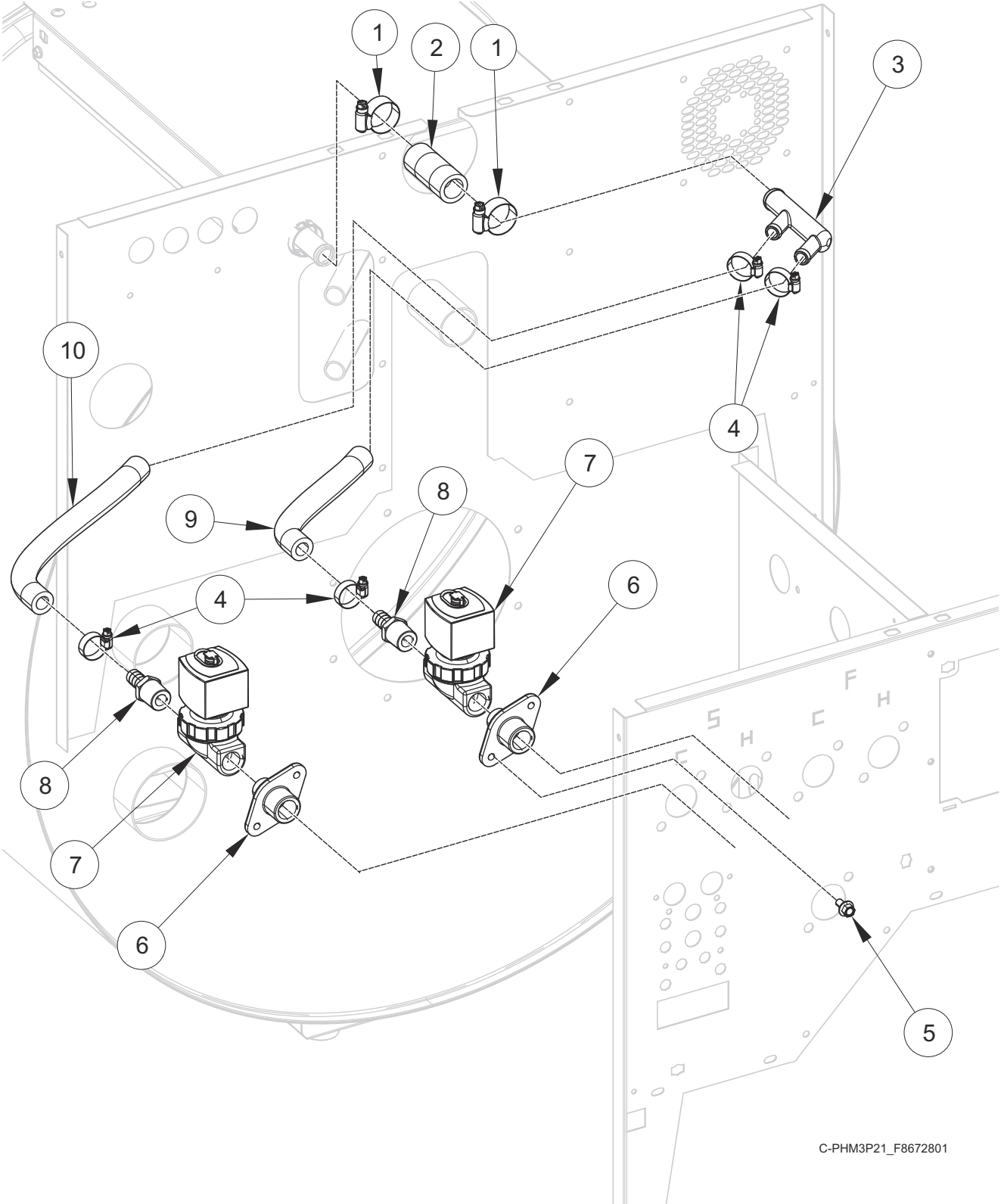
C-PHM3P12_F8672801

Fill Plumbing Assembly

REF	PART NO.	DESCRIPTION	COMMENTS
	F8566001	Fill Harness	Models with 1 in the 8th Position
	F8566002	Fill Harness	Models with 2 in the 8th Position
	F8566003	Fill Harness	Models with 3 in the 8th Position
	F8566004	Fill Harness	Models with 4 in the 8th Position
	F8288408	Valve Assembly	1/2 inch; 24VDC; Includes items 1, 2 and 5
	F8288409	Valve Assembly	1/2 inch; 24VDC; Includes items 1-6
	F8379505	Valve Rebuild Kit	1/2 inch; 24VDC; PTFE
	F8379507	Valve Rebuild Kit	1/2 inch; 24VDC; EPDM
	F200164	Water Hose	Standard thread; 3/4 inch
	F200166	Water Hose	Metric thread; 3/4 inch
	F200185	Water Hose	Standard thread; 1 inch
	F200193	Water Hose	Metric thread; 1 inch
1	F8110701	Hose Barb	
2	F8322804	Valve	1/2 inch; 24VDC; EPDM
	F8515001	Valve Coil	24VDC
3	F421921	Nipple	
4	F422208	Tee	
5	F8362701	Coupling	
6	F421964	Hose Barb	
7	36801	Hose Clamp	
8	F8344602	Hose	
9	F8223902	Plug	
10	70321501	Screw	
11	C002658	Hose	
12	F200222	Hose Clamp	
13	F8137502	Hose	

Spray Plumbing Assembly

Models with 3 or 4 in the 8th Position

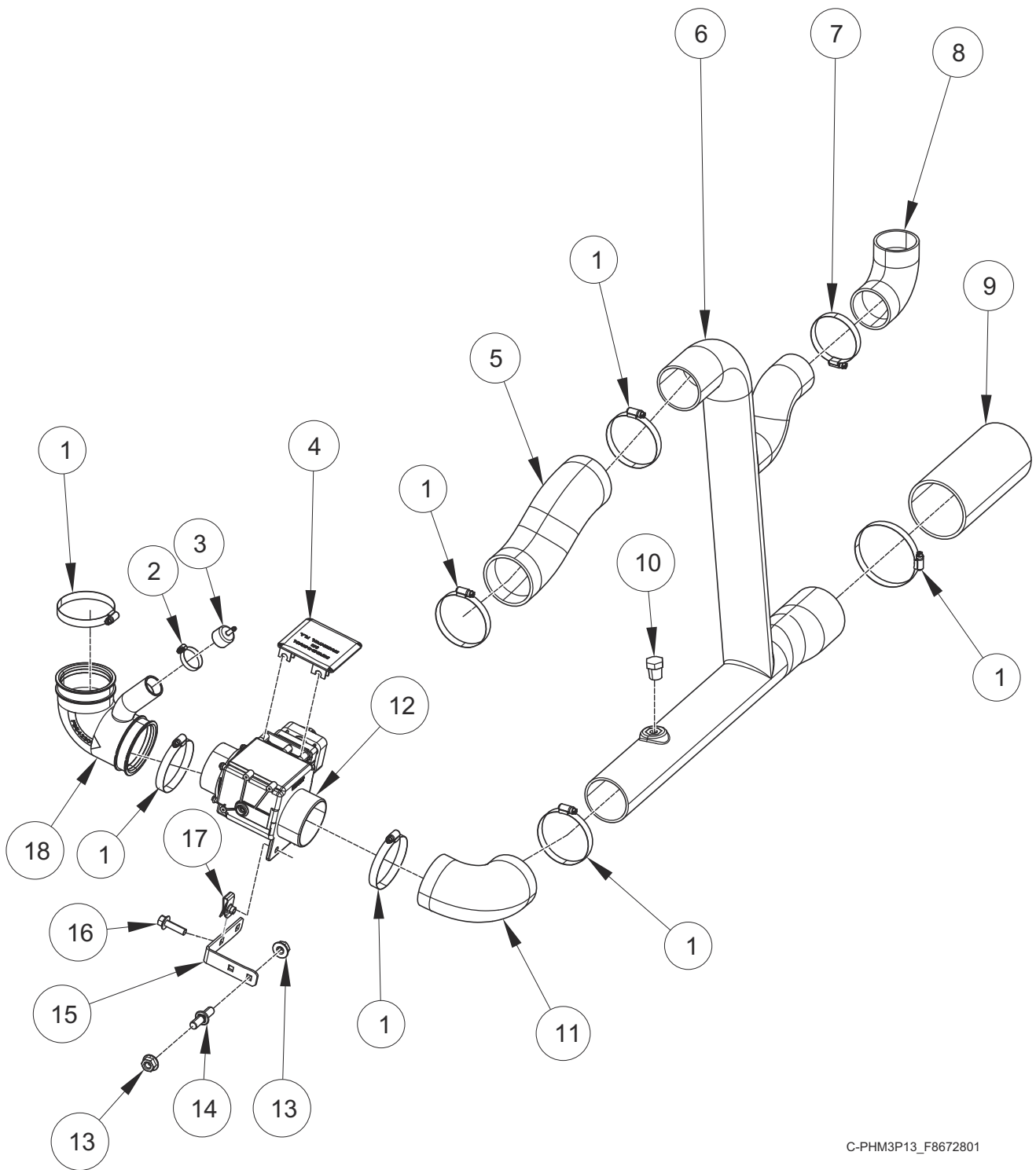


C-PHM3P21_F8672801

Spray Plumbing Assembly

REF	PART NO.	DESCRIPTION	COMMENTS
	F8288406	Valve Assembly	1/2 inch; 24VDC; Includes items 6-8
	F8379507	Valve Rebuild Kit	1/2 inch; 24VDC; EPDM
1	F200222	Hose Clamp	
2	F606816-1	Hose	
3	F8333201	Manifold	
4	36801	Hose Clamp	
5	70321501	Screw	
6	F8362701	Coupling	
7	F8322804	Valve	1/2 inch; 24VDC; EPDM
	F8515001	Coil	24VDC
8	F421930	Hose Barb	
9	F8232006	Hose	
10	F602586-34	Hose	

Drain Plumbing

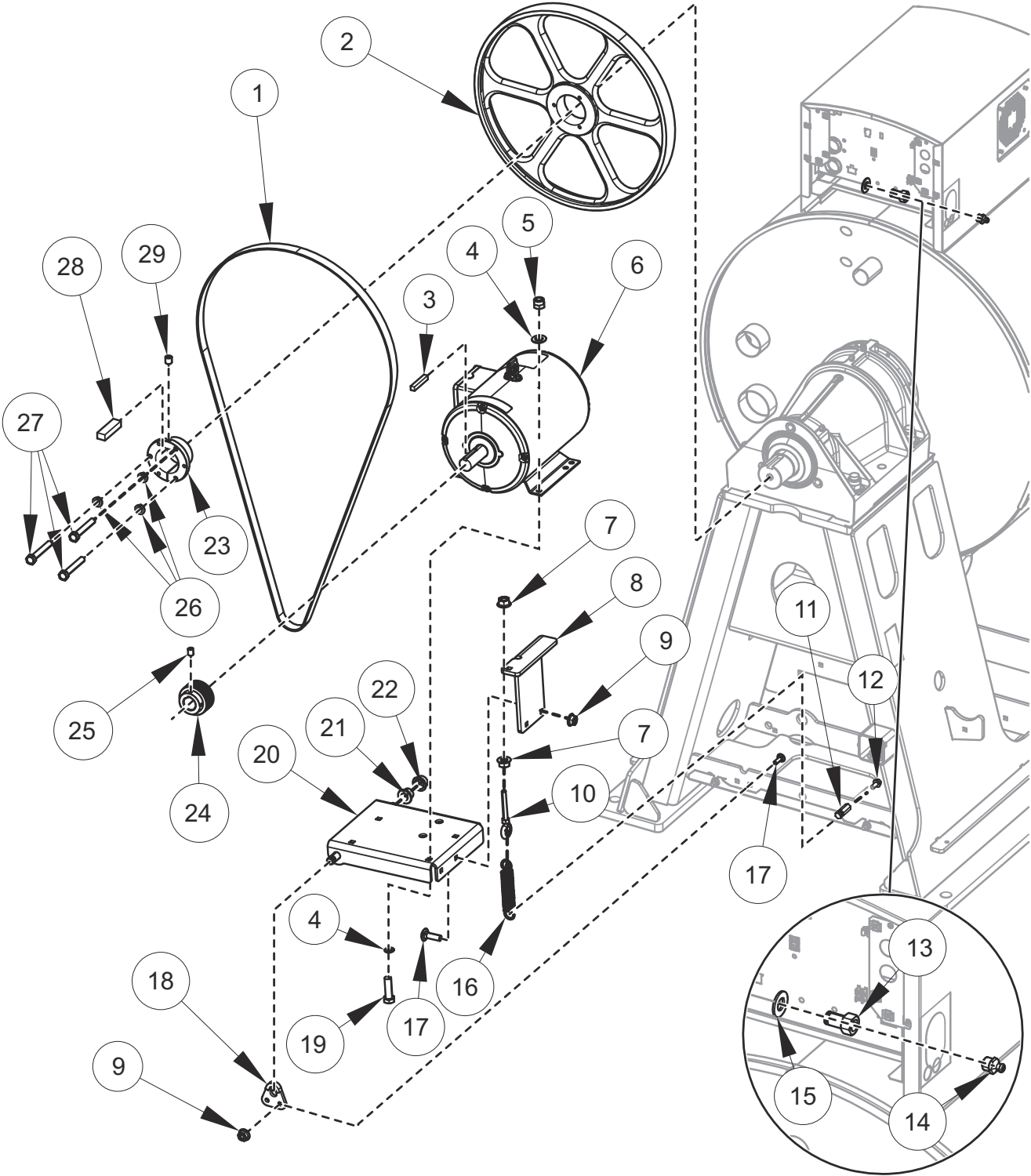


C-PHM3P13_F8672801

Drain Plumbing

REF	PART NO.	DESCRIPTION	COMMENTS
	F8520002	Drain Valve Harness	
1	F200201	Hose Clamp	
2	36802	Hose Clamp	
3	F8579301	Pressure Cap	
4	F200133600	Drain Valve Cover	
5	F0150488-00	Overflow Hose	
6	F8351302	Molded Drain	
7	F200213	Hose Clamp	
8	F8261303	Drain Hose	
9	F200165100	Drain Hose	
10	F8531401	Plug	
11	F8491701	Overflow	
12	F200166402	Drain Valve Kit	Includes item 4
13	44087201	Nut	
14	70334702	Stud	
15	F8545901	Drain Valve Bracket	
16	202175	Screw	
17	70030401	Nut	
18	F8542301	Drain Hose	

Motor and Pulley

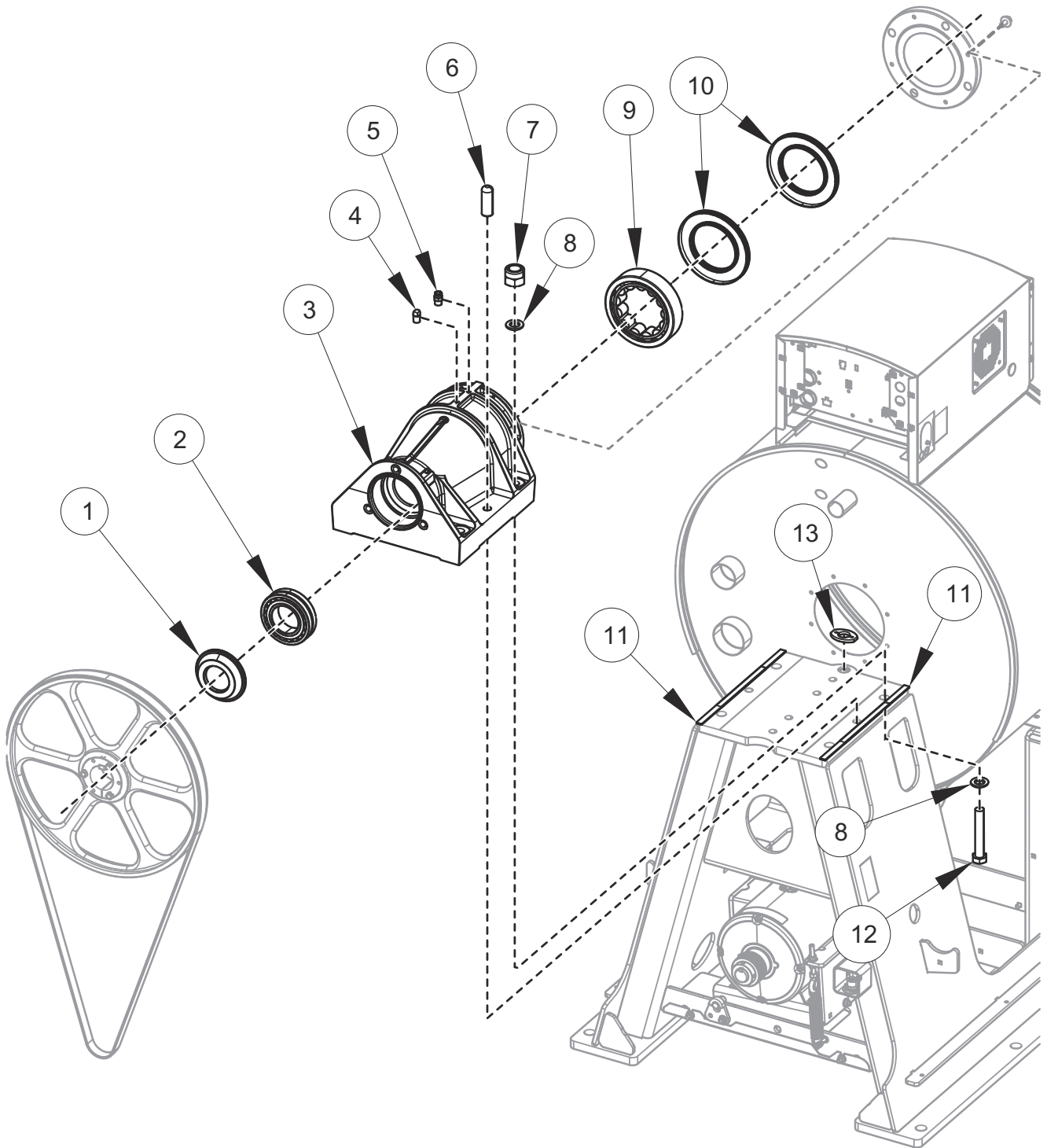


PHM3339P

Motor and Pulley

REF	PART NO.	DESCRIPTION	COMMENTS
	F8519005	Motor Harness	
	F8748601	Spring Stud Kit	used to replace F8351902 Eye Bolt and F44087201 Nut
1	F8382820	Belt	
2	F8517801	Basket Pulley	
3	M405232	Key	
4	F8366601	Washer	
5	F8387601	Nut	
6	F8510001	Motor	
7	44087301	Nut	
8	F8342201	Motor Spring Bracket	
9	44087201	Nut	
10	F8319503	Eye Bolt	
11	F8634701	Stud	
12	70126104	Screw	
13	F422114	Air Coupling	
14	F190701	Grease Fitting	
15	70292801	Washer	
16	F8440701	Extension Spring	
17	F8402801	Bolt	
18	F8441101	Motor Rod Plate	
19	800461	Screw	
20	F8441805	Motor Bracket Weldment	
21	F8535202	Flanged Isolator	
22	F8333302	Flanged Bushing	
23	F8286001	Bushing	
24	F8362601	Motor Pulley	
25	M400077	Screw	
26	M400013	Washer	
27	44079203	Screw	
28	44049002	Key	
29	F8484702	Screw	

Bearing Housing

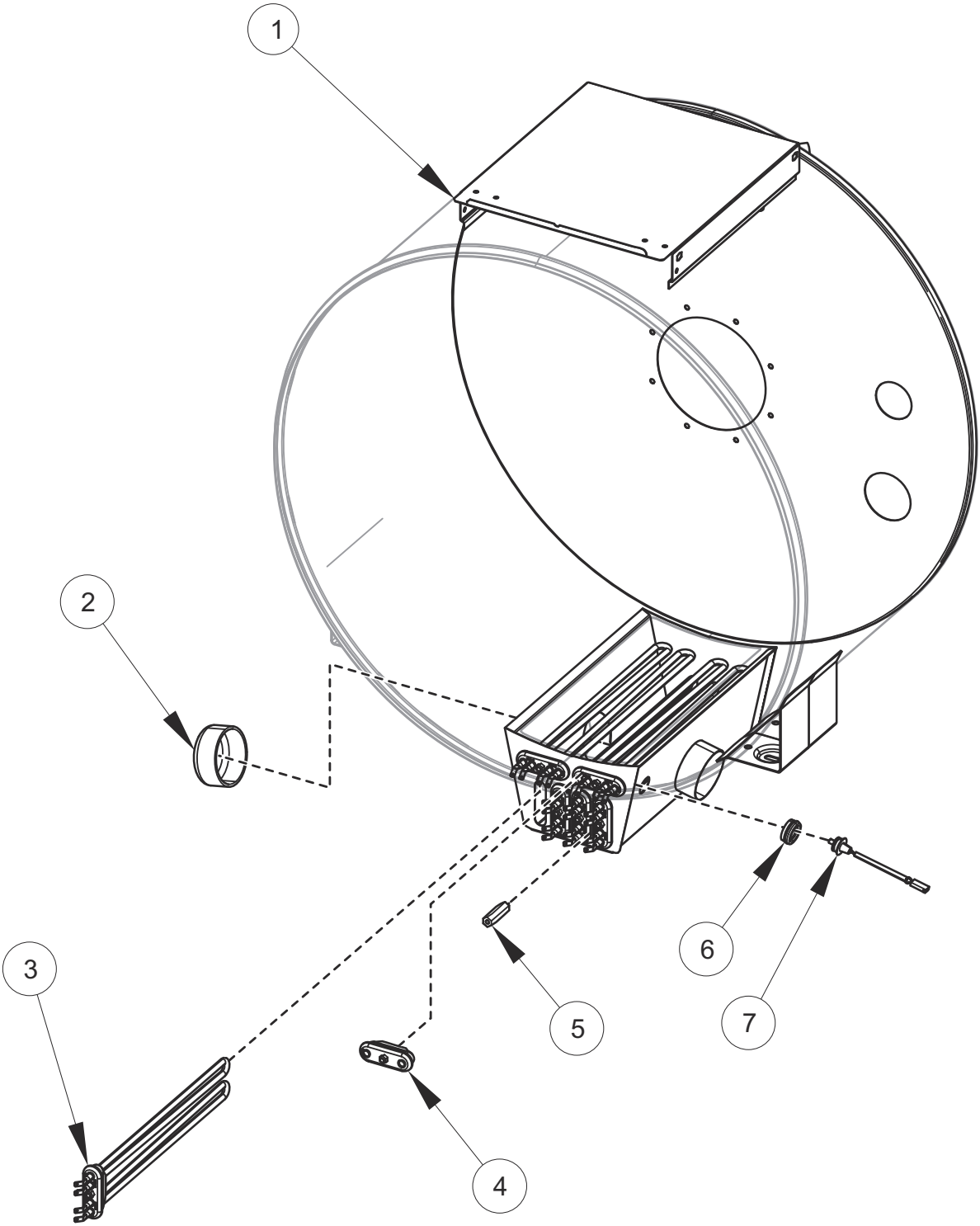


C-PHM3P24_F8672801

Bearing Housing

REF	PART NO.	DESCRIPTION	COMMENTS
	F822P3	Bearing Housing Kit	Includes items 1-3, 5-11, F8313701 Screw, F8527701 Excluder Seal, F8382501 Adapter Sleeve, F8442802 Screw and F8550101 Seal Wear Plate
	F8474602	Bearing Housing Assembly	Includes items 2, 3, 5, 9 and 10; Viton
	F8474601	Bearing Housing Assembly	Includes items 2, 3, 5, 9 and 10; Standard
	F8503701	Bearings and Seals Kit	Viton; Includes items 1, 2, 6-10, 12, F8527701 Excluder Seal and F410102 Sealant
	F8503801	Bearings and Seals Kit	Standard; Includes items 1, 2, 6-10, 12, F8527701 Excluder Seal and F410102 Sealant
1	F8528501	Radial Lip Seal	
2	F8375401	Bearing	
3	F8744801R	Bearing Housing	
4	M403052	Plug	
5	J1408004	Connector	
6	F8406502	Dowel Pin	
7	F430248	Nut	
8	F8171201	Washer	
9	F8280504	Bearing	
10	F8203808	Radial Seal	Viton
	F8203807	Radial Seal	
11	F8207001	Gasket	
12	F8313701	Screw	
13	F8452701	Seal Scupper Pad	

Electric Heat Option

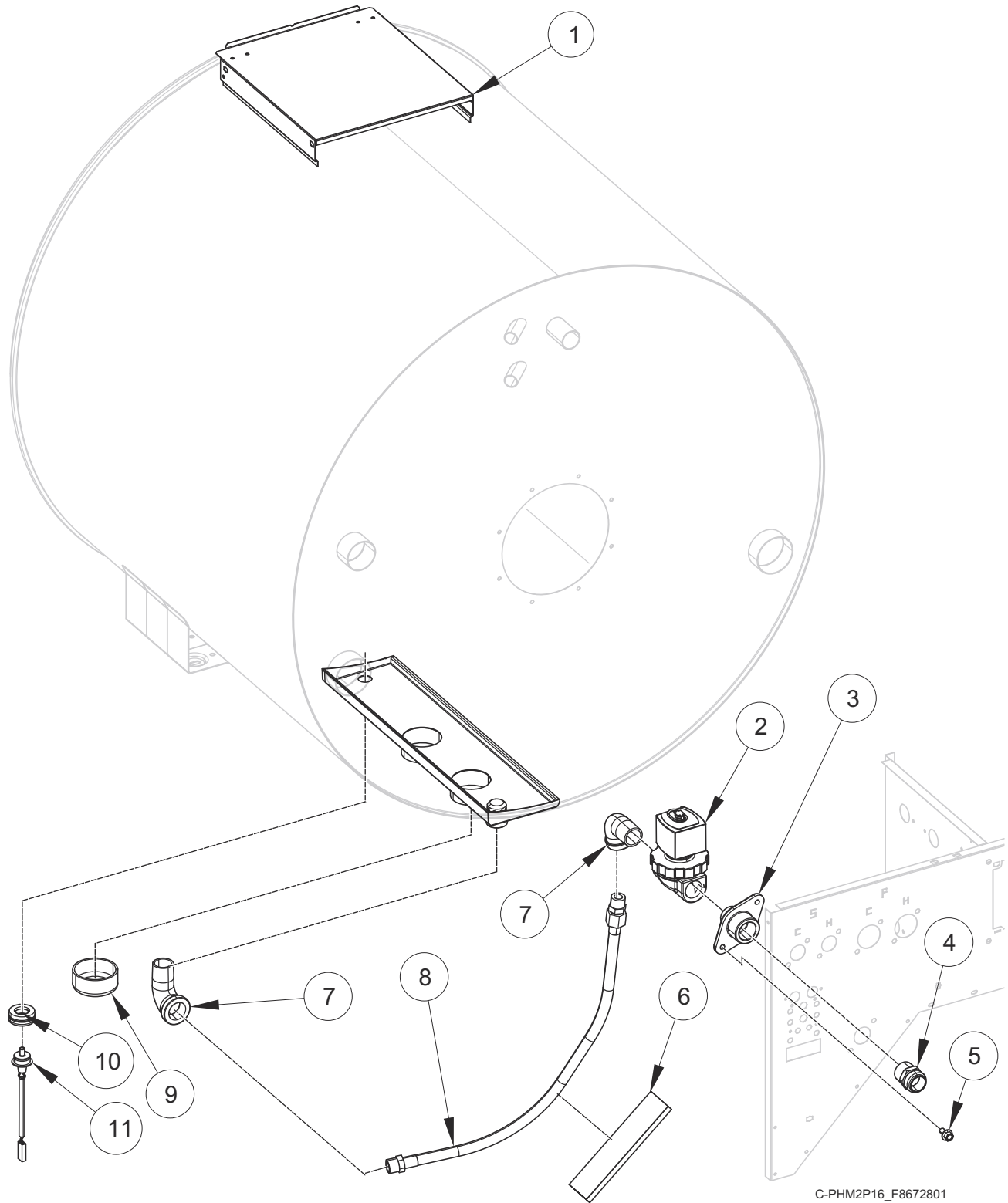


C-PHM3P15_F8672801

Electric Heat Option

REF	PART NO.	DESCRIPTION	COMMENTS
	F8545901	Drain Valve Bracket	
	F8564005	Heater Harness	
	F8568901	Jumper	
	F8584802	Electric Heat Element Harness	6 element
1	F8544004	Shell Assembly	45 pound models with 1 or 3 in the 8th position
	F8544002	Shell Assembly	45 pound models with 2 or 4 in the 8th position
	F8544104	Shell Assembly	65 pound models with 1 or 3 in the 8th position
	F8544102	Shell Assembly	65 pound models with 2 or 4 in the 8th position
2	F0150502-00	Plug	
3	F8568301	Heating Element	4200 W; 230 Volt
4	F360202	Heating Element Plug	
5	F8515401	Standoff	
6	2251000400	Temperature Probe Grommet	
7	F8538801	Thermistor	

Steam Heat Option

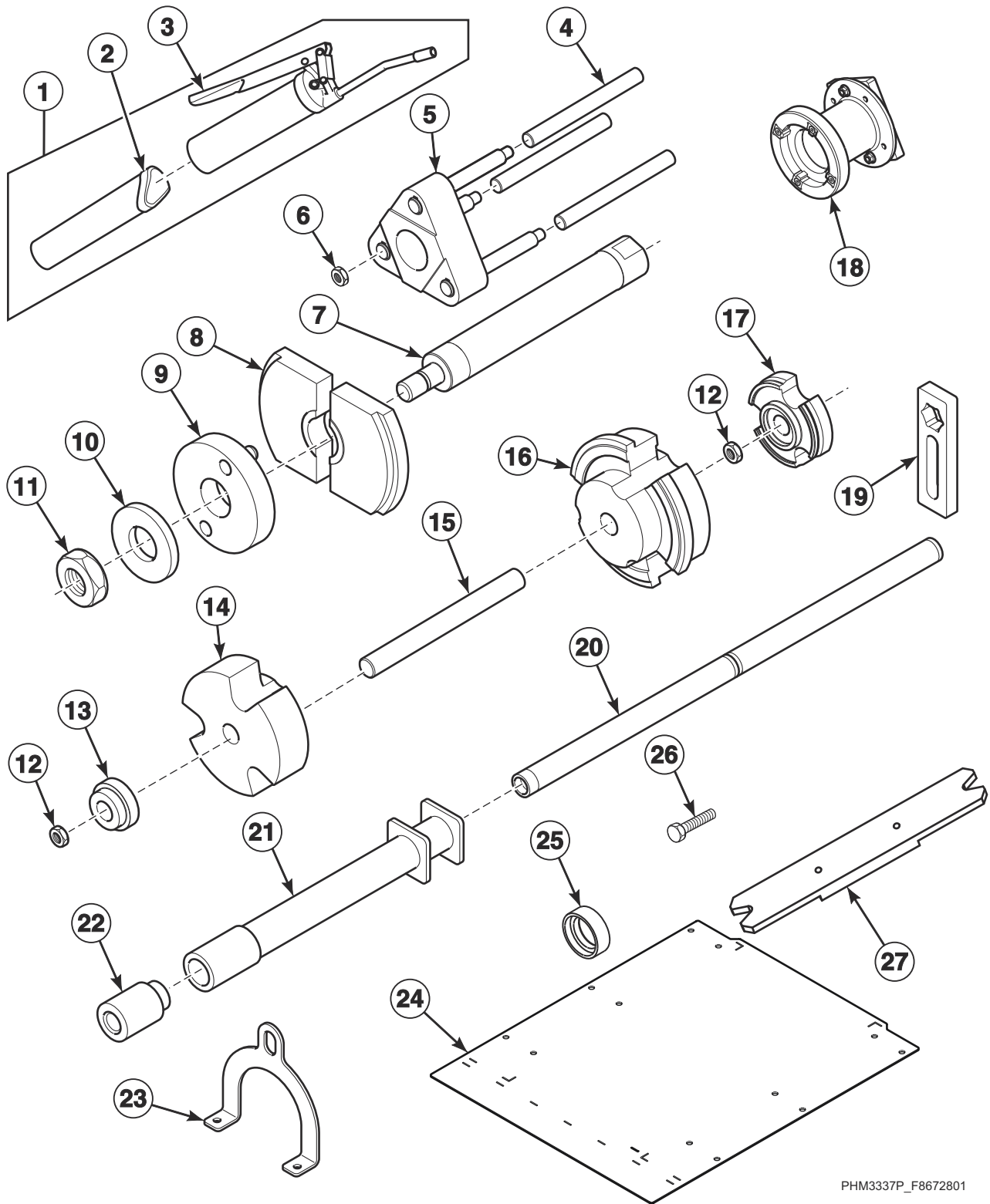


C-PHM2P16_F8672801

Steam Heat Option

REF	PART NO.	DESCRIPTION	COMMENTS
	F8520705	Drain Valve Harness	
	F8662301	Steam Kit	Includes items 2, 3, 5-8, F8609101 Water Level Pressure Switch, 203464 Barbed Tee, F8520705 Steam Valve Harness, F421703 Street Elbow, F420409 Plug, F270307 Steam Filter, F200197 Steam Hose, 901403 Nipple, tubing, insulation and labels
	F270307	Steam Filter	1/2 inch
	F8545901	Drain Valve Bracket	
	F8621101	Steam Plumbing Assembly	1/2 inch; Includes items 2, 3, 7 and 8
	F8288407	Steam Valve Assembly	1/2 inch; 24VDC; Includes items 2, 3, and 7
1	F8544003	Shell Assembly	45 pound models with 1 or 3 in the 8th position
	F8544004	Shell Assembly	45 pound models with 1 or 3 in the 8th position with dual heat
	F8544001	Shell Assembly	45 pound models with 2 or 4 in the 8th position
	F8544002	Shell Assembly	45 pound models with 2 or 4 in the 8th position with dual heat
	F8544103	Shell Assembly	65 pound models with 1 or 3 in the 8th position
	F8544104	Shell Assembly	65 pound models with 1 or 3 in the 8th position with dual heat
	F8544101	Shell Assembly	65 pound models with 2 or 4 in the 8th position
	F8544102	Shell Assembly	65 pound models with 2 or 4 in the 8th position with dual heat
2	F8322805	Valve	1/2 inch; 24VDC
	F8515001	Coil	24VDC
3	F8362701	Coupling	
4	F421908	Hose Adapter	
5	70321501	Screw	
6	F8233703	Insulation	
7	F421703	Street Elbow	
8	F200517	Steam Hose	
9	F0150502-00	Plug	
10	2251000400	Temperature Probe Grommet	
11	F8538801	Thermistor	

Special Tools and Kits



PHM3337P_F8672801

Special Tools and Kits

REF	PART NO.	DESCRIPTION	COMMENTS
	F8662201	Wireless Network Kit	Includes 203532 Wireless Network Control Assembly, F8520407 Wireless Harness, label and hardware; Models through January 2019
	1112P	Concrete Hardware Kit	
	203346	USB IR Interface Kit	
	F8599401-1	Bearing Seal Insertion and Removal Kit	Rental; Includes items 4-21, 23, 25, 27, 70350503 Wing Nut and F8313702 Screw
	F8676201	Wireless Network Kit	Includes 807211 Wireless Network Control Assembly, F8674005 Wireless Harness, label and hardware; Models starting February 2019
	F8674005	Wireless Harness	Models starting February 2019
	F8520407	Wireless Harness	Models through January 2019
	F8599401	Bearing Seal Insertion and Removal Kit	Purchase; Includes items 4-21, 23, 25, 27, 70350503 Wing Nut and F8313702 Screw
	205391P	Gateway	
1	F798700	Grease Gun Kit	Includes items 2 and 3
2	F210206P	Bearing Grease	
3	F210207P	Grease Gun	
4	F8599201	Rod	
5	F8560501	Shaft Support Assembly	
6	F8459101	Nut	
7	F8450401	Bearing Removal Shaft Assembly	
8	F8450601	Bearing Removal Plate	
9	F8455601	Bearing Removal Washer Assembly	
10	F8456101	Washer	
11	F8455801	Nut	
12	F8457701	Nut	
13	F8455701	Bearing Removal Plug	
14	F8515101	Bearing Seal Fixture	Front
15	F8452101	Threaded Rod	
16	F8515301	Seal Press Fixture	
17	F8515201	Bearing Seal Fixture	Rear
18	F8530201	Bearing Sleeve Assembly	
19	F8562801	One Sided Disassembly Fixture	
20	F8534101	Guide Rod Assembly	
21	F8490701	Hammer	
22	F8514401	Hammer Tool Adapter	
23	F8451501	Bearing Housing Lifting Fixture	
24	F8413201	Frame Template	
25	F8537502	Excluder Seal Fixture	
26	M400063	Screw	
27	F8634801	Clamp	

Parts Index

A

Air Coupling	
F422114	49

B

Basket Assembly Kit	
F8424202P	33
F8424302P	33
Basket Pulley	
F8517801	49
Bearing	
F8280504	51
F8375401	51
F8465401	33
Bearing Grease	
F210206P	57
Bearing Housing	
F8744801R	51
Bearing Housing Assembly	
F8474601	51
F8474602	51
Bearing Housing Kit	
F822P3	51
Bearing Housing Lifting Fixture	
F8451501	57
Bearing Removal Plate	
F8450601	57
Bearing Removal Plug	
F8455701	57
Bearing Removal Shaft Assembly	
F8450401	57
Bearing Removal Washer Assembly	
F8455601	57
Bearing Seal Fixture	
F8515101	57
F8515201	57
Bearing Seal Insertion and Removal Kit	
F8599401	57
F8599401-1	57
Bearing Sleeve Assembly	
F8530201	57
Bearings and Seals Kit	
F8503701	51
F8503801	51
Belt	
F8382820	49
Belt Guard Assembly	
F8487901	19
Blind Rivet	
F8245101	31
Bolt	
F8270701	29, 31
F8402801	49
F8549301	29
Bulkhead Brace	
F8578601	21

Bulkhead Panel	
F8561101	25
F8577401	21
F8577701	21
F8577702	21
Bushing	
F8286001	49
F8378701	29
70346501	15, 23, 39

C

Chemical Connection Assembly	
F8597301	39
F8597302	39
Chemical Connection Bracket	
F8561401	39
Chemical Connection Cover	
F8564601	25
Chemical Cover Gasket	
F8609301	25
Chemical Dispenser	
F8538201	39
Chemical Injection Control	
F8497401	39
804528	39
Chemical Injection Hose	
F8600901	39
Chemical Supply Cup	
F150385	37
F150386	37
Chemical Supply Drain Hose	
F8510601	37
Chemical Supply Hose	
F8551902	37
Circuit Breaker	
70488101	15
Clamp	
F8634801	57
Coil	
F8515001	45, 55
Concrete Hardware Kit	
1112P	57
Connector	
F8555401	39
F8555402	39
F8555403	39
F8555404	39
F8555405	39
J1408004	51
70493102	39
Contact Base	
F8538101	9, 11
Contact Switch	
F8069501	9, 11
Contacto	
70482601	15
70482701	15
Control Assembly	
F8493902	9
F8616203	9

N/A items do not appear in index.

F8746104.....	11
Control Decal	
F8612901.....	9
F8665501.....	9
Control Plate	
F8555701.....	9
F8555703.....	9
F8555704.....	11
Control Power Harness	
F8565401.....	13
F8565402.....	13
Coupling	
F8362701.....	43, 45, 55

D

Danger Label	
F8614501.....	7
DIN Rail	
F8134101.....	15
Dispenser Assembly	
F0150512-00P.....	37
Dispenser Cover	
F8338602.....	25
Dispenser Lid	
F0150514-00.....	37
Door Assembly	
F8531701.....	29
F8531702.....	29
Door Gasket	
F8508501.....	29
Door Glass	
C000191.....	29
F8323401P.....	29
Door Glass Gasket	
F8499901.....	29
Door Glass Retainer	
F8323301.....	29
Door Handle	
F8435501.....	29
Door Hinge	
F8436001.....	29
Door Hinge Shim	
F8398301.....	29
Door Interlock Harness	
F8571801.....	31
Door Latch Arm Assembly	
F8221403.....	29
Door Lock Assembly	
F8606201.....	31
Door Lock Catch	
F8344501.....	31
Door Lock Cover	
F8435801.....	31
Door Lock Harness	
F8565901.....	31
Door Lock Microswitch	
F200203200.....	31
Door Lock Plate Assembly	
F8320401.....	31
Door Lock Plate Shim	
F8489601.....	31

Door Lock Switch Lever	
F8223401.....	31
Door Lug Hinge	
F8435901.....	29
Door Spray Fitting	
F8356101.....	27
Door Spray Nozzle Assembly	
F8356301.....	27
Door Weldment	
F8308001.....	29
Dowel Pin	
F8406502.....	51
Drain Hose	
F200165100.....	47
F8261303.....	47
F8542301.....	47
Drain Valve Bracket	
F8545901.....	47, 53, 55
Drain Valve Cover	
F200133600.....	47
Drain Valve Harness	
F8520002.....	47
F8520705.....	55
Drain Valve Kit	
F200166402.....	47
Drive Assembly	
F8496601.....	13
F8496901.....	13
Drive Box Partition Panel	
F8571201.....	21
Drive Communication Harness	
F8565701.....	13
Drive Mounting Bracket	
F8322401.....	13
F8601101.....	13
Drive Mounting Panel	
F8571001.....	21

E

Elbow	
F8453701.....	27
F8514301.....	37
Electric Heat Element Harness	
F8584802.....	53
Emergency Stop Label	
44012902.....	9, 11
Emergency Stop Pushbutton	
F200233500.....	9, 11
EMI Filter	
F8591801.....	13
F8637501.....	13
End Stop	
F8449801.....	15
E-Stop Harness	
F8519404.....	9, 11
Excluder Seal	
F8527701.....	33
Excluder Seal Fixture	
F8537502.....	57
Expansion Clip	
70030501.....	9, 11, 13, 15, 19, 21, 25, 29, 31, 39, 41

N/A items do not appear in index.

Extension Spring F8440701	49
External Supply Board Communication Harness F8566101	37
F8566102	37
External Supply Board Power Harness F8566401	37
F8566402	37
Eye Bolt F8319503	49

F

Fan F8623601	9, 11, 15
Fill Harness F8566001	43
F8566002	43
F8566003	43
F8566004	43
Filter Kit F8662101	13
F8662102	13
F8662103	13
F8662104	13
Filter Retainer Guard F8578501	9, 11, 15
Flanged Bushing F8333302	49
Flanged Isolator F8535202	49
Frame Shield F8480401	35
F8509401	35
Frame Template F8413201	57
Front Panel F8408001	19

G

Gasket F8207001	51
Gateway 205391P	57
Grease Fitting F190701	49
Grease Gun F210207P	57
Grease Gun Kit F798700	57
Grommet F170604	19
F8457801	31
F8528401	23
Ground Lug Connector M411283	15
Guide Rod Assembly F8534101	57

H

Hammer F8490701	57
Hammer Tool Adapter F8514401	57
Handle Mount F8435701	29
Harness F8566301	9, 11
F8598302	9, 11
F8617901	9, 11
Heater Harness F8564005	53
Heating Element F8568301	53
Heating Element Plug F360202	53
Hole Plug F8223801	15, 25
Hose C002658	43
F602586-34	45
F606816-1	45
F8137502	43
F8232006	45
F8232007	39
F8344602	39, 43
F8405301	9, 11
F8617801	41
F8617803	41
F8617804	41
F8617805	41
F8617806	41
F8617807	41
F8617815	41
Hose Adapter F421908	55
Hose Barb F421930	45
F421964	43
F8110701	43
Hose Clamp F200201	39, 47
F200213	37, 39, 47
F200215	35
F200222	43, 45
F200415	37
36801	37, 39, 41, 43, 45
36802	47
39282	9, 11
Hot Surface Warning Label F8609001	7
F8614301	7

I

Injection Nozzle F8322001	37
Input and Output Control Assembly F8494101P	9, 11
Insertion Sleeve F8464901	33

N/A items do not appear in index.

Installation/Operation Communication Harness	
F8519503	9, 11
Insulation	
F8233703	55
Insulator	
M413862	13

J

Jumper	
F8568901	53

K

Key	
M405232	49
44049002	49

L

Label	
D516100	15
F8601301	7
F8609801	7
F8613701	7
F8614601	7, 15
F8614801	7
F8615901	7
F8620801	7
44286803	13
70531801	23
Left Side Panel	
F8407902	19
F8407904	19

M

Machine ID Control Assembly	
203361P	9, 11
Magnet	
F8406201	29
Manifold	
F8333201	45
Module Box Assembly	
F8555501	9
F8555502	9
Module Box Fan Harness	
F8566501	9, 11
Module Box Front Panel	
F8664201	9
F8746001	11
Module Box Power Harness	
F8566201	9
F8566203	11
Module Box Top	
F8408901	9, 11
F8412503	9, 11
F8412504	9, 11
Molded Drain	
F8351302	47

Motor	
F8510001	49
Motor Bracket Weldment	
F8441805	49
Motor Harness	
F8519005	49
Motor Pulley	
F8362601	49
Motor Rod Plate	
F8441101	49
Motor Spring Bracket	
F8342201	49

N

Nameplate	
F8443105	9, 11
Nipple	
F421921	43
Nut	
F430218	33
F430225	17, 31
F430231	9, 11, 15
F430232	31
F430248	51
F431005	37
F431024	31
F8322601	27
F8387601	49
F8455801	57
F8457701	57
F8459101	57
F8549401	29, 37
44087101	19
44087201	35, 47, 49
44087301	35, 49
44088001	15
685846	9, 11
70030401	19, 35, 47
802292	37

O

One Sided Disassembly Fixture	
F8562801	57
O-Ring	
F170200	27
Overflow	
F8491701	47
Overflow Hose	
F0150488-00	47

P

Panel Locator	
56079	19, 21
Pin	
F8302701	33
Pinch Warning Label	
F8615701	7, 19
70538401	7

N/A items do not appear in index.

Plug	
F0150502-00.....	53, 55
F8223901.....	15, 25
F8223902.....	43
F8531401.....	47
M400985.....	25
M403052.....	51
Plug Cap	
F190304.....	37
Pop Rivet	
M400003.....	9, 11, 15
70058501.....	15, 21, 25
Power Distribution Block	
M413865.....	13
Power Distribution Block Cover	
44014901P.....	13
Power Harness	
F8565501.....	13
F8565502.....	13
F8565601.....	13
F8565602.....	13
F8565801.....	13
F8582801.....	13
Pressure Cap	
F8579301.....	47
Pressure Sensor	
F8623401.....	9, 11

R

Radial Lip Seal	
F8528501.....	51
Radial Seal	
F8203807.....	51
F8203808.....	51
Rear Bulkhead Edging	
F8439101.....	25
Reed Switch Assembly	
F8066804.....	31
Reed Switch Bracket	
F8402601.....	31
Right Side Panel	
F8407901.....	19
F8407903.....	19
Ring Retainer	
F310206.....	27
Rivet	
M412763.....	19, 21
Rod	
F8599201.....	57

S

Screw	
D503688.....	39
F430900.....	35
F8117601.....	9, 11, 19, 21, 25, 31, 39, 41
F8151201.....	9, 11, 15
F8206901.....	9, 11, 13, 15, 19, 21
F8230301.....	39, 41
F8313701.....	51
F8413701.....	9, 11
F8442802.....	35

F8458801.....	19
F8484702.....	49
F8560601.....	19
F8673701.....	33
M400063.....	57
M400077.....	49
M401938.....	17
202175.....	19, 47
20253.....	35
39733.....	13
430497.....	39
431287.....	27
44079203.....	49
51783.....	13
685837.....	15
70126104.....	49
70321501.....	43, 45, 55
70391101.....	33
800461.....	49
800548.....	39
Seal Pad	
F8617601.....	9, 11
Seal Press Fixture	
F8515301.....	57
Seal Scupper Pad	
F8452701.....	51
Seal Sleeve	
F8343911.....	33
Seal Wear Plate	
F8550101.....	35
Shaft Support Assembly	
F8560501.....	57
Shell Assembly	
F8544001.....	35, 55
F8544002.....	35, 53, 55
F8544003.....	35, 55
F8544004.....	35, 53, 55
F8544101.....	35, 55
F8544102.....	35, 53, 55
F8544103.....	35, 55
F8544104.....	35, 53, 55
Shell Band	
F8388005.....	33
Shell Band Gasket	
F8502305.....	33
Shell Front Assembly	
F8319901.....	33
Shell Front Gasket Kit	
F8537805.....	33
Shim	
F8484401.....	31
F8630301.....	35
Shock Warning Label	
F8614201.....	7, 19
F8614401.....	7
Sleeve Adapter	
F8382501.....	33
Snap Bushing	
F8332501.....	23
44071501.....	15
70178701.....	23
70203901.....	23
Soap Dispenser Shroud Weldment	
F8024304.....	37
Solenoid	
F8630601.....	31

N/A items do not appear in index.

Spacer	
F431901	31
Spray Nozzle Gasket	
F8322701	27
Spray Rinse Bracket	
F8451101	27
Spray Rinse Hose	
F8508201	27
Spray Rinse Strap	
F8451701	27
Spray Rinse Tube Assembly	
F8332301	27
F8332302	27
Spring Pin	
F431222	29
Spring Stud Kit	
F8748601	49
Standoff	
F8515401	53
Steam Filter	
F270307	55
Steam Hose	
F200517	55
Steam Kit	
F8662301	55
Steam Plumbing Assembly	
F8621101	55
Steam Valve Assembly	
F8288407	55
Strain Relief Adapter Kit	
F8566401	37
Street Elbow	
F421703	55
Stud	
F390301	37
F8590801	9, 11
F8634701	49
70334702	35, 47
Supply Dispenser Spacer	
F0150525-00	37
Supply Hose	
F8551901	37
Swivel Coupling Assembly	
F8504001	27
Swivel Coupling Body	
F8504001	27
Swivel Coupling Bushing	
F8453801	27

T

Tee	
F422208	43
Temperature Probe Grommet	
2251000400	17, 35, 53, 55
Terminal	
00622SG	9, 11, 15
Terminal Block	
430642	13
Terminal Block Shield	
70333001	13

Thermistor	
F8538801	17, 35, 53, 55
Threaded Rod	
F8452101	57
Top Cover	
F8596801	21
F8608301	21
Torsion/Door Lock Spring	
F8070301	31
Transformer	
F8512001	15
202758	9, 11
Trim	
F8412801	19
F8412802	19
F8412803	35

U

USB IR Interface Kit	
203346	57
USB-Serial Interface Assembly	
203440	9, 11

V

Valve	
.....	41
F8322804	43, 45
F8322805	55
F8579101	39
Valve Assembly	
F8288406	45
F8288408	43
F8288409	43
Valve Coil	
F8515001	43
Valve Mounting Bracket	
F8331902	41
Valve Rebuild Kit	
F8379505	43
F8379507	43, 45
Vent Hose	
F8363601	35
Vibration Switch	
F8204001	17
Vibration Switch Shield	
F8337301	17

W

Warning Label	
F8611601	7
44324001	7, 19
Washer	
F431100	29
F431125	31
F431147	29, 37
F431916	29
F8171201	51
F8193101	31

N/A items do not appear in index.

F8366601	49
F8456101	57
M400013	49
M400080	33, 35
M400081	35
M405535	19, 35
70292801	49
Water Hose	
F200164	43
F200166	43
F200185	43
F200509	41
Water Valve Bracket	
F8562201	39
Wireless Control Board Label	
F8734904	11
Wireless Harness	
F8520407	9, 11, 57
F8674005	57
Wireless Network Kit	
F8662201	57
F8676201	57

Y

Y Connector	
F422816	41
