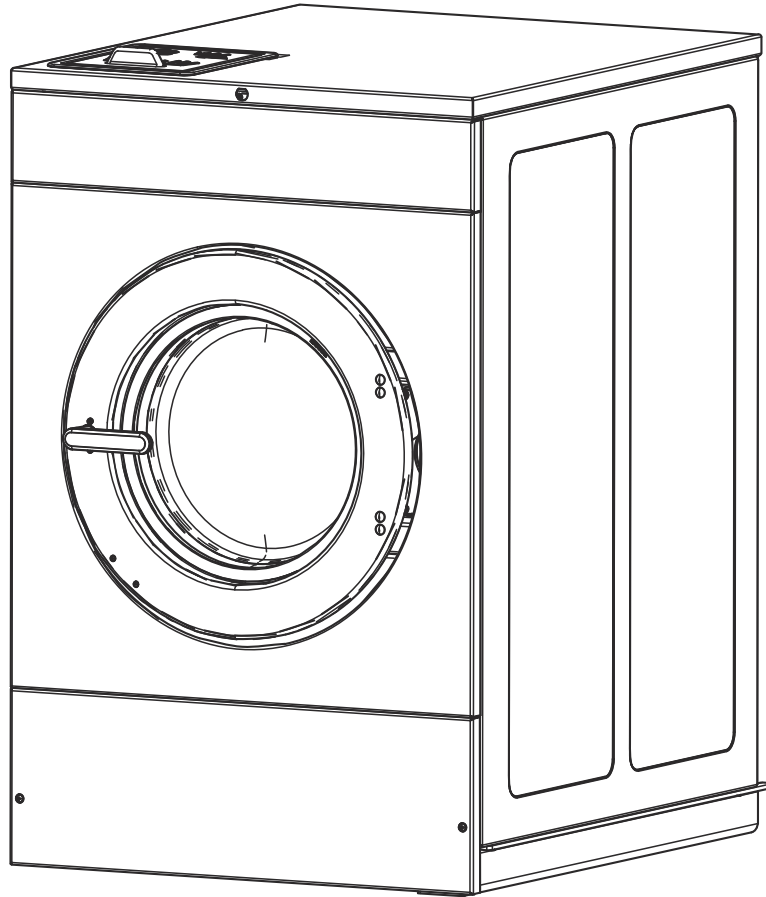


# Washer-Extractor

Cabinet Hardmount

Design 4, 6 and 7

Refer to Page 3 for Model Numbers



C-CHM2C3\_F8674801



# Table of Contents

Title	Page
Parts Ordering Information.....	2
Serial Plate Location .....	2
Model Identification .....	3
Product Overview - Galaxy 600 International and Galaxy 600 International Network .....	4
Labels .....	6
Control Module and Front Tray Assembly - Coin Models .....	8
Control Module and Front Tray Assembly - Card Reader and Central Pay Models .....	10
Control Tray Assembly.....	12
Flush Mount Coin Meter Assembly - Single Drop .....	14
Flush Mount Coin Meter Assembly - Dual Drop.....	16
Electronic Coin Meter Assembly .....	18
Optional Coin Box.....	20
Inverter Drive Box - Q and X Voltage.....	22
Inverter Drive Box - N and P Voltage.....	24
External Supply Kit.....	26
Inverter Drive .....	28
Front Panels and Control Panel - Coin Models - Design 4 .....	30
Front Panels and Control Panel - Coin Models - Design 6 .....	32
Front Panels and Control Panel - Coin Models - Design 7 .....	34
Front Panels and Control Panel - Card Ready and Central Pay Models - Design 4.....	36
Front Panels and Control Panel - Card Ready and Central Pay Models - Design 6.....	38
Front Panels and Control Panel - Card Ready and Central Pay Models - Design 7.....	40
Rear and Top Panels .....	42
Side Panels.....	44
Door (Drawing 1 of 2).....	46
Door (Drawing 2 of 2).....	48
Door Lock.....	50
Shell Front and Basket.....	52
Shell .....	54
Bearing Housing and Frame Shield .....	56
Drain Plumbing .....	58
Fill Plumbing .....	60
Motor, Pulley and Belt.....	62
Electric Heating .....	64
Steam Heating .....	66
Special Tools and Kits .....	68
Parts Index.....	71

© Copyright 2022, Alliance Laundry Systems LLC

All rights reserved. No part of the contents of this book may be reproduced or transmitted in any form or by any means without the expressed written consent of the publisher.

## Parts Ordering Information

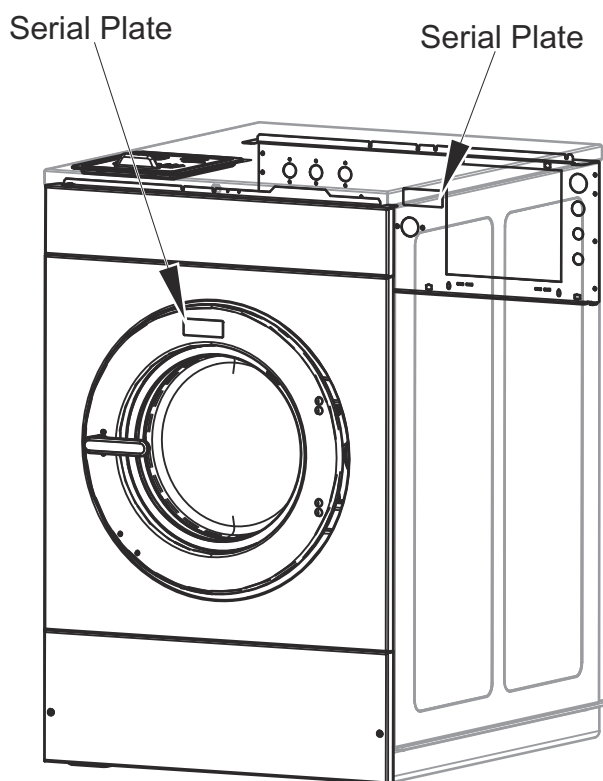
If literature or replacement parts are required, contact the source from whom the machine was purchased or contact Alliance Laundry Systems at (920) 748-3950 for the name and address of the nearest authorized parts distributor.

For technical assistance, call the number listed below:

(920) 748-3121 Ripon, Wisconsin

## Serial Plate Location

When calling or writing about your product, be sure to mention model and serial numbers. Model and serial numbers are located on serial plate(s) as shown.



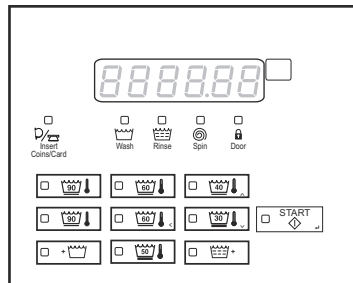
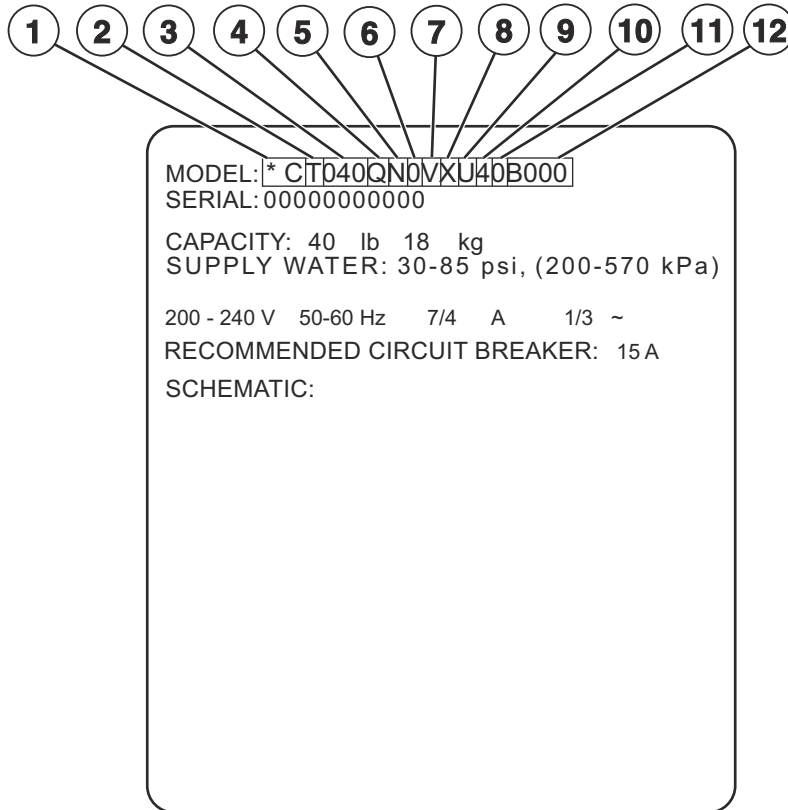
C-CHM2C2\_F8674801

## Model Identification

Information in this manual is applicable to these washer-extractor models:

HCA080NC	HCG080NC	HCH080NC	HCJ080NC	HCU080NC
HCA080ND	HCG080ND	HCH080ND	HCJ080ND	HCU080ND
HCA080NE	HCG080NE	HCH080NE	HCJ080NE	HCU080NE
HCA080NF	HCG080NF	HCH080NF	HCJ080NF	HCU080NF
HCA080NH	HCG080NH	HCH080NH	HCJ080NH	HCU080NH
HCA080NL	HCG080NL	HCH080NL	HCJ080NL	HCU080NL
HCA080NQ	HCG080NQ	HCH080NQ	HCJ080NQ	HCU080NQ
HCA080NT	HCG080NT	HCH080NT	HCJ080NT	HCU080NT
HCA080NV	HCG080NV	HCH080NV	HCJ080NV	HCU080NV
HCA080NX	HCG080NX	HCH080NX	HCJ080NX	HCU080NX
HCA080NY	HCG080NY	HCH080NY	HCJ080NY	HCU080NY
HCA080WC	HCG080WC	HCH080WC	HCJ080WC	HCU080WC
HCA080WD	HCG080WD	HCH080WD	HCJ080WD	HCU080WD
HCA080WE	HCG080WE	HCH080WE	HCJ080WE	HCU080WE
HCA080WF	HCG080WF	HCH080WF	HCJ080WF	HCU080WF
HCA080WH	HCG080WH	HCH080WH	HCJ080WH	HCU080WH
HCA080WL	HCG080WL	HCH080WL	HCJ080WL	HCU080WL
HCA080WT	HCG080WT	HCH080WQ	HCJ080WQ	HCU080WQ
HCA080WV	HCG080WV	HCH080WT	HCJ080WT	HCU080WT
HCA080WX	HCG080WX	HCH080WV	HCJ080WV	HCU080WV
HCA080WY	HCG080WY	HCH080WX	HCJ080WX	HCU080WX
HCA100NC	HCG100NC	HCH080WY	HCJ080WY	HCU080WY
HCA100ND	HCG100ND	HCH100NC	HCJ100NC	HCU100NC
HCA100NE	HCG100NE	HCH100ND	HCJ100ND	HCU100ND
HCA100NF	HCG100NF	HCH100NE	HCJ100NE	HCU100NE
HCA100NH	HCG100NH	HCH100NF	HCJ100NF	HCU100NF
HCA100NL	HCG100NL	HCH100NH	HCJ100NH	HCU100NH
HCA100NQ	HCG100NQ	HCH100NL	HCJ100NL	HCU100NL
HCA100NT	HCG100NT	HCH100NQ	HCJ100NQ	HCU100NQ
HCA100NV	HCG100NV	HCH100NT	HCJ100NT	HCU100NT
HCA100NX	HCG100NX	HCH100NV	HCJ100NV	HCU100NV
HCA100NY	HCG100NY	HCH100NX	HCJ100NX	HCU100NX
HCA100WC	HCG100WC	HCH100NY	HCJ100NY	HCU100NY
HCA100WD	HCG100WD	HCH100WC	HCJ100WC	HCU100WC
HCA100WE	HCG100WE	HCH100WD	HCJ100WD	HCU100WD
HCA100WF	HCG100WF	HCH100WE	HCJ100WE	HCU100WE
HCA100WH	HCG100WH	HCH100WF	HCJ100WF	HCU100WF
HCA100WL	HCG100WL	HCH100WH	HCJ100WH	HCU100WH
HCA100WT	HCG100WT	HCH100WL	HCJ100WL	HCU100WL
HCA100WV	HCG100WV	HCH100WQ	HCJ100WQ	HCU100WQ
HCA100WX	HCG100WX	HCH100WT	HCJ100WT	HCU100WT
HCA100WY	HCG100WY	HCH100WV	HCJ100WV	HCU100WV
		HCH100WX	HCJ100WX	HCU100WX
		HCH100WY	HCJ100WY	HCU100WY
			HCK080NH	
			HCK100NH	

# Product Overview - Galaxy 600 International and Galaxy 600 International Network



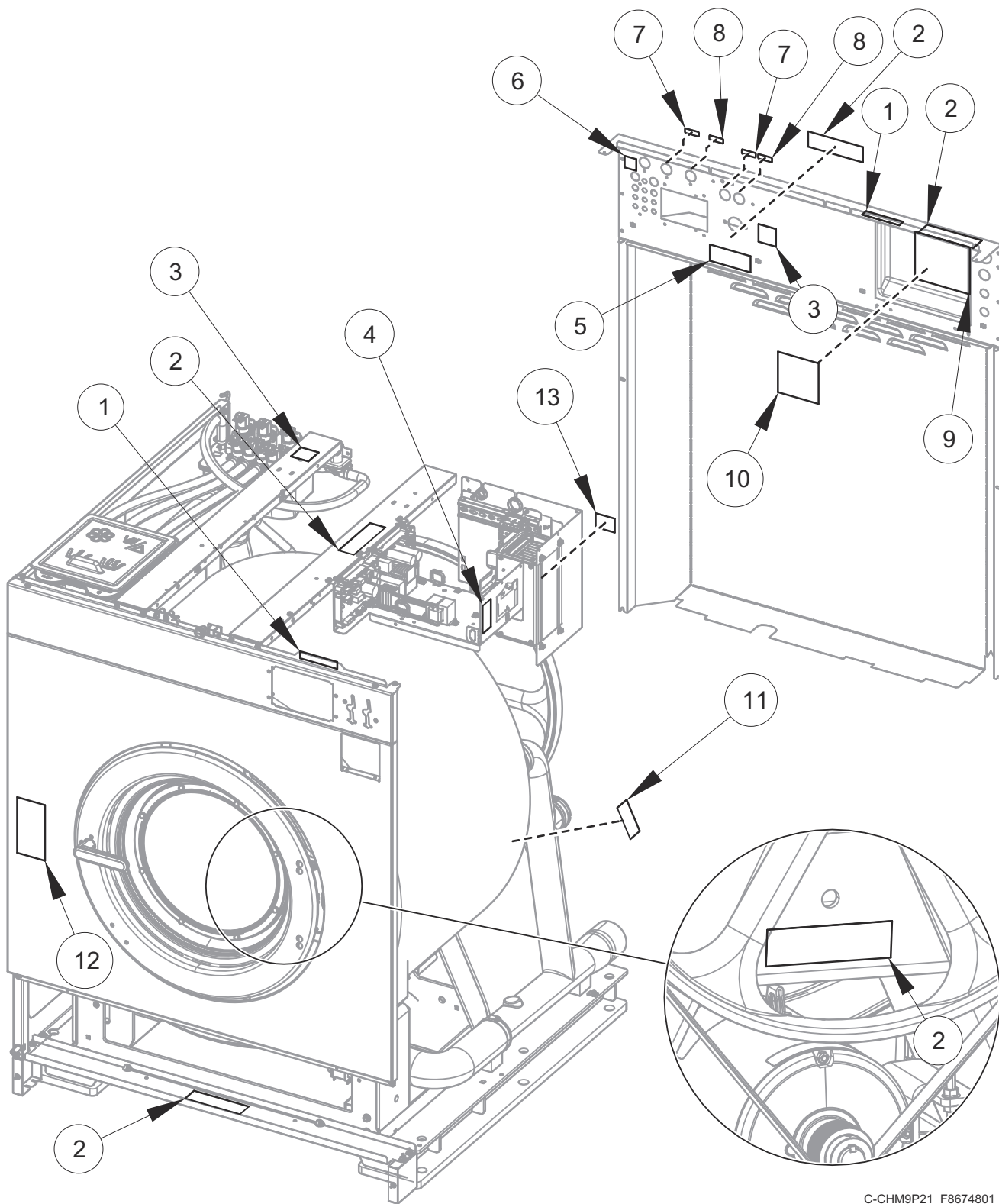
**Galaxy 600 International and Galaxy 600 International Network**

CHM3499P\_F8674801

## Product Overview - Galaxy 600 International and Galaxy 600 International Network

REF	PART NO.	DESCRIPTION	COMMENTS
1	-	Product Family	HC
2	-	Market Approvals	A (Australia ICE) D (Brazil IEC) G (International) H (China-ROHS IEC) J (Japan-PSE IEC) K (Korea IEC) L (Thailand-TISI IEC) T (North America) U (International CE/EAC)
3	-	Capacity (Dry Weight in Pounds)	080 100
4	-	Control	N W
5	-	Actuation	L (Central Pay) X (Prep for Coin) Y (Prep for Card) C (Single Coin) D (Dual Coin) E (Electronic Drop) T (Token) F (Single Coin + CD Lock and Key) Q (Dual Coin + CD Lock and Key) H (Electronic Drop + CD Lock and Key) V (Token + CD Lock and Key)
6	-	Coin Meter	0 (Standard) 1 (CD Lock & Key)
7	-	Speed	F (F-Speed) V (V-Speed)
8	-	Voltage	B (120/60/1) W (200-240/50/1/3) Y (200-240/60/1/3) X (200-240/50-60/1/3) Q (200-240/50-60/3) P (380-415/50-60/3) N (440-480/50-60/3)
9	-	Panel	B (Chrome Door) C (Chrome Door) U (Vinyl) 1 (Stainless Steel Side)
10	-	Design	4 6 7
11	-	Heat	0 (Standard) D (Steam) E (Electric Heat) P (Prep for Steam)
12	-	Features and Options	

# Labels



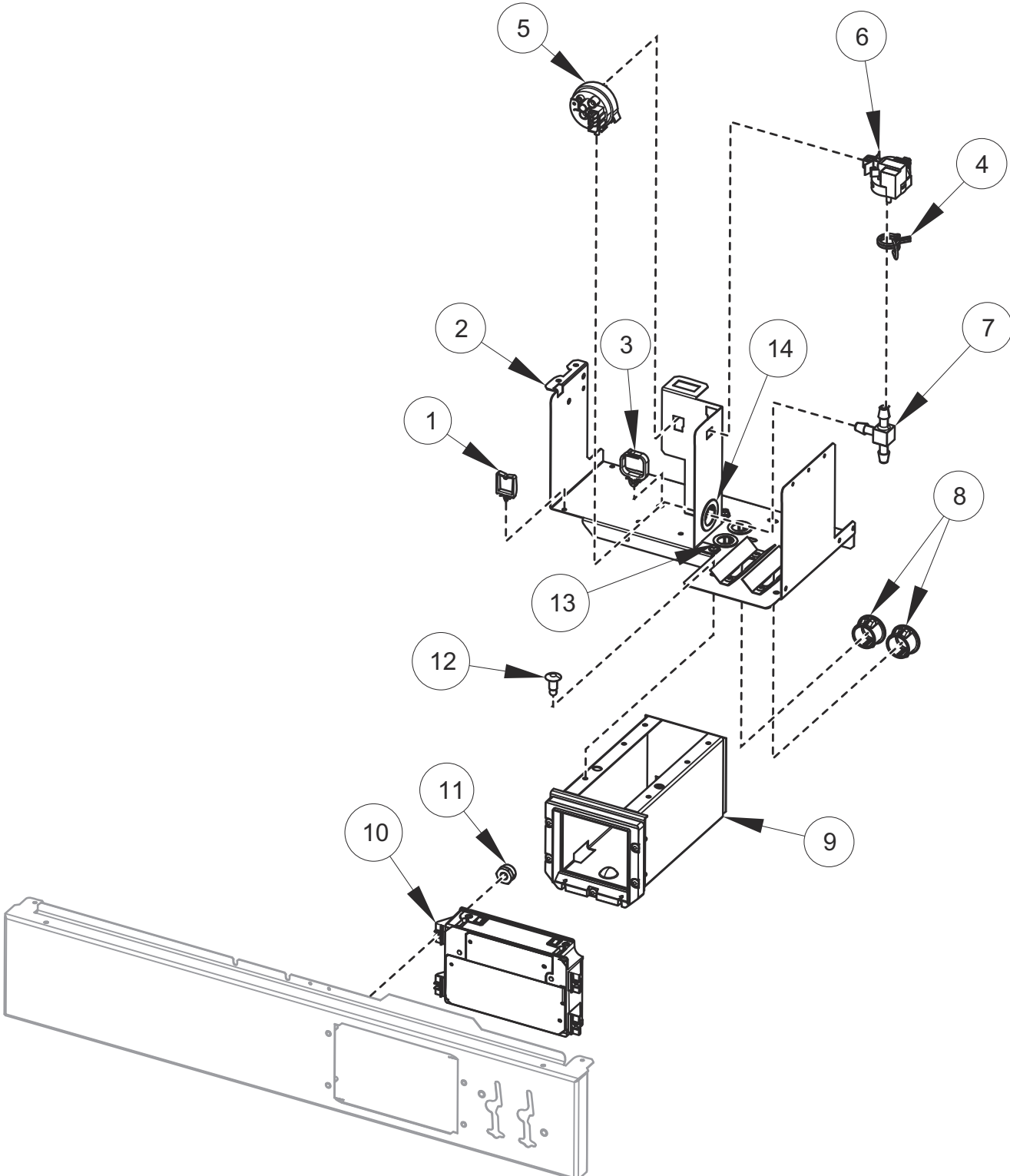
C-CHM9P21\_F8674801



# Labels

REF	PART NO.	DESCRIPTION	COMMENTS
1	F8614501	Danger Label	English/Quebec/French
2	44324001	Warning Label	Pinch/Shock; English/French
	F8614201	Shock Warning Label	Icon
	F8615701	Pinch Warning Label	Icon
3	F8614301	Hot Surface Warning Label	English/Quebec/French
	F8609001	Hot Surface Warning Label	Icon
4	F8601301	Label	Warning; Underground components
5	F8609401	Label	Notice; Chemical connection
6	203853	Label	ROHS (China)
7	F8611301	Label	Hot water; Icon
8	F8611401	Label	Cold water; Icon
9	F8611601	Warning Label	Warning; English/Quebec/French
10	F8602401	Label	Notice; Large expansion board
11	70538401	Pinch Warning Label	English/French
	F8615701	Pinch Warning Label	Icon
12	F8614801	Label	Warning fire/injury; English/Quebec/French
13	F8620801	Label	Warning current leakage

# Control Module and Front Tray Assembly - Coin Models

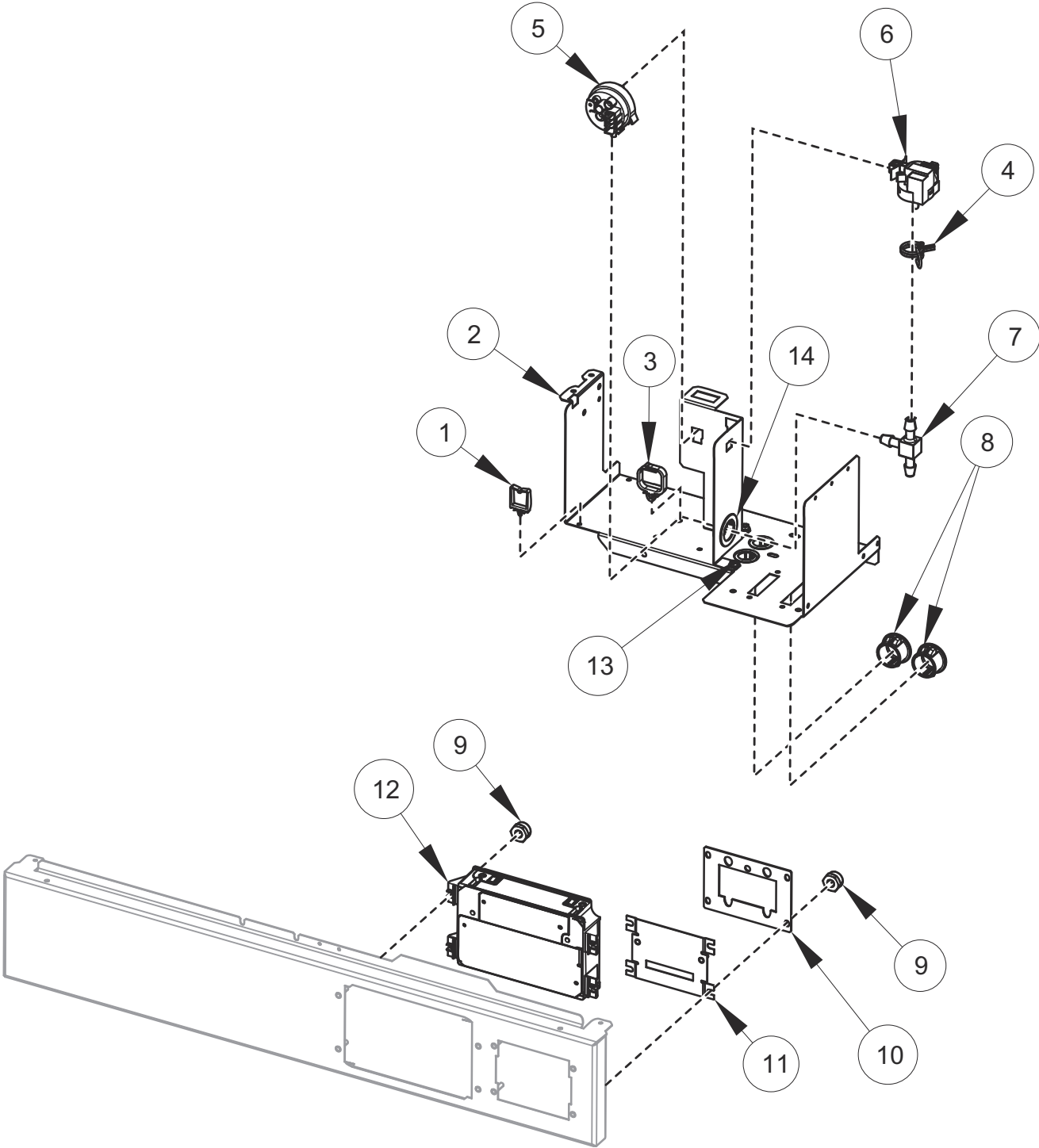


C-CHM5P1\_F8674801

## Control Module and Front Tray Assembly - Coin Models

REF	PART NO.	DESCRIPTION	COMMENTS
	44374701	App Pay Overlay Kit	
	203361P	Machine ID Control Assembly	
	F8567303	Front Tray Assembly	Includes items 1-3, 6, 8, 9, 12-14, 70413301 Pushbutton Switch and F8519701 Coin Vault Harness
	F8567306	Front Tray Assembly	Steam or electric heat; Includes items 1-9, 12-14, 70413301 Pushbutton Switch and F8519701 Coin Vault Harness
	F8519701	Coin Vault Harness	
	F8519301	Harness	Tray power harness
	F8519502	Harness	Communication
	F8519601	Harness	Coin access
	F8519403	Emergency Stop Bypass Harness	
<b>1</b>	70366201	Wire Clip	
<b>2</b>	F8531001	Front Tray Assembly	
<b>3</b>	F8449501	Wire Clip	
<b>4</b>	39282	Hose Clamp	
<b>5</b>	F8609101	Water Level Pressure Switch	Steam or electric heat
	F8405303	Tubing	Electric heat
<b>6</b>	F8623401	Pressure Sensor	
	F8405302	Tubing	Electric heat
<b>7</b>	203464	Barbed Tee	Steam or electric heat
<b>8</b>	M411826	Snap Bushing	
<b>9</b>	F8529101	Coin Vault Assembly	
<b>10</b>	F8493901P	Control Assembly	
<b>11</b>	685846	Nut	
<b>12</b>	70058501	Pop Rivet	
<b>13</b>	F140938	Snap Bushing	
<b>14</b>	M402542	Snap Bushing	

# Control Module and Front Tray Assembly - Card Reader and Central Pay Models

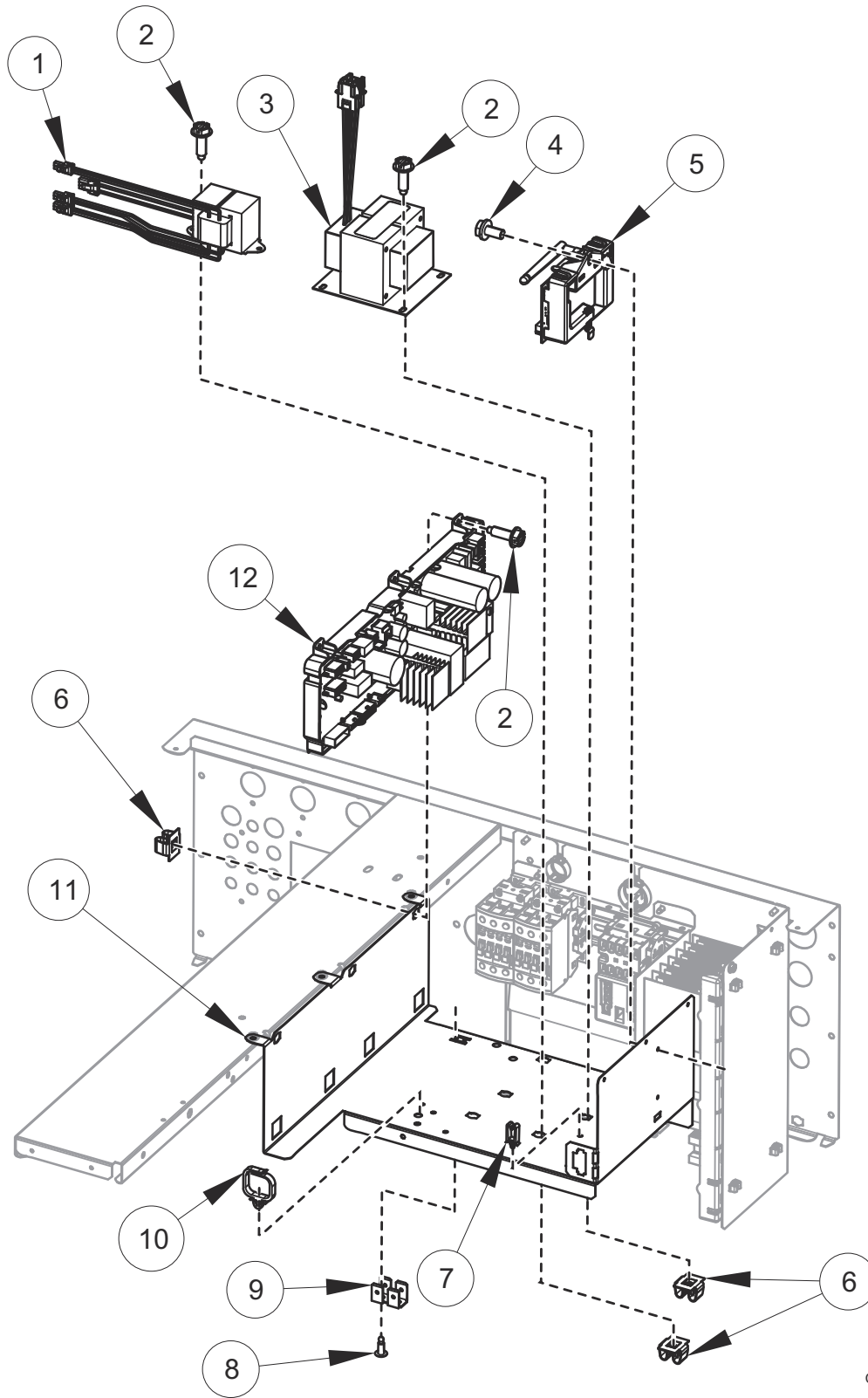


C-CHM5P3\_F8674801

## Control Module and Front Tray Assembly - Card Reader and Central Pay Models

REF	PART NO.	DESCRIPTION	COMMENTS
	44374701	App Pay Overlay Kit	
	203361P	Machine ID Control Assembly	
	F8673202	Central Pay Kit	Models without external supply board; Includes item 13, 204094 Central Pay Assembly, 202758 Transformer, hardware and harnesses
	F8673204	Central Pay Kit	Models with external supply board; Includes item 13, 204094 Central Pay Assembly, hardware and harnesses
	F8567309	Front Tray Assembly	Includes items 1-3, 6, 8, 13, 14, 70413301 Pushbutton Switch
	F8567312	Front Tray Assembly	Steam or electric heat; Includes items 1-8, 13, 14, and 70413301 Pushbutton Switch
	44342801	Central Pay Harness	Tray power harness
	F8519301	Harness	Tray power harness
	F8519502	Harness	Communication
	F8519702	Coin Vault Bypass Harness	
	F8519601	Harness	Coin access
	F8519403	Emergency Stop Bypass Harness	
	F8555406	Connector	8 pin; Use with 204094 Central Pay Assembly
	205070	Payment Center Kit	Central pay models
	205069	Payment Center Kit	Central pay models; Includes printer
<b>1</b>	70366201	Wire Clip	
<b>2</b>	F8531001	Front Tray Assembly	
<b>3</b>	F8449501	Wire Clip	
<b>4</b>	39282	Hose Clamp	
<b>5</b>	F8609101	Water Level Pressure Switch	Steam or electric heat
	F8405303	Tubing	Electric heat
<b>6</b>	F8623401	Pressure Sensor	
	F8405302	Tubing	Electric heat
<b>7</b>	203464	Barbed Tee	Steam or electric heat
<b>8</b>	M411826	Snap Bushing	
<b>9</b>	685846	Nut	
<b>10</b>	70208801	Mounting Plate	
<b>11</b>	F8201501	Card Plate Assembly	
<b>12</b>	F8493901P	Control Assembly	
<b>13</b>	F140938	Snap Bushing	
<b>14</b>	M402542	Snap Bushing	

# Control Tray Assembly

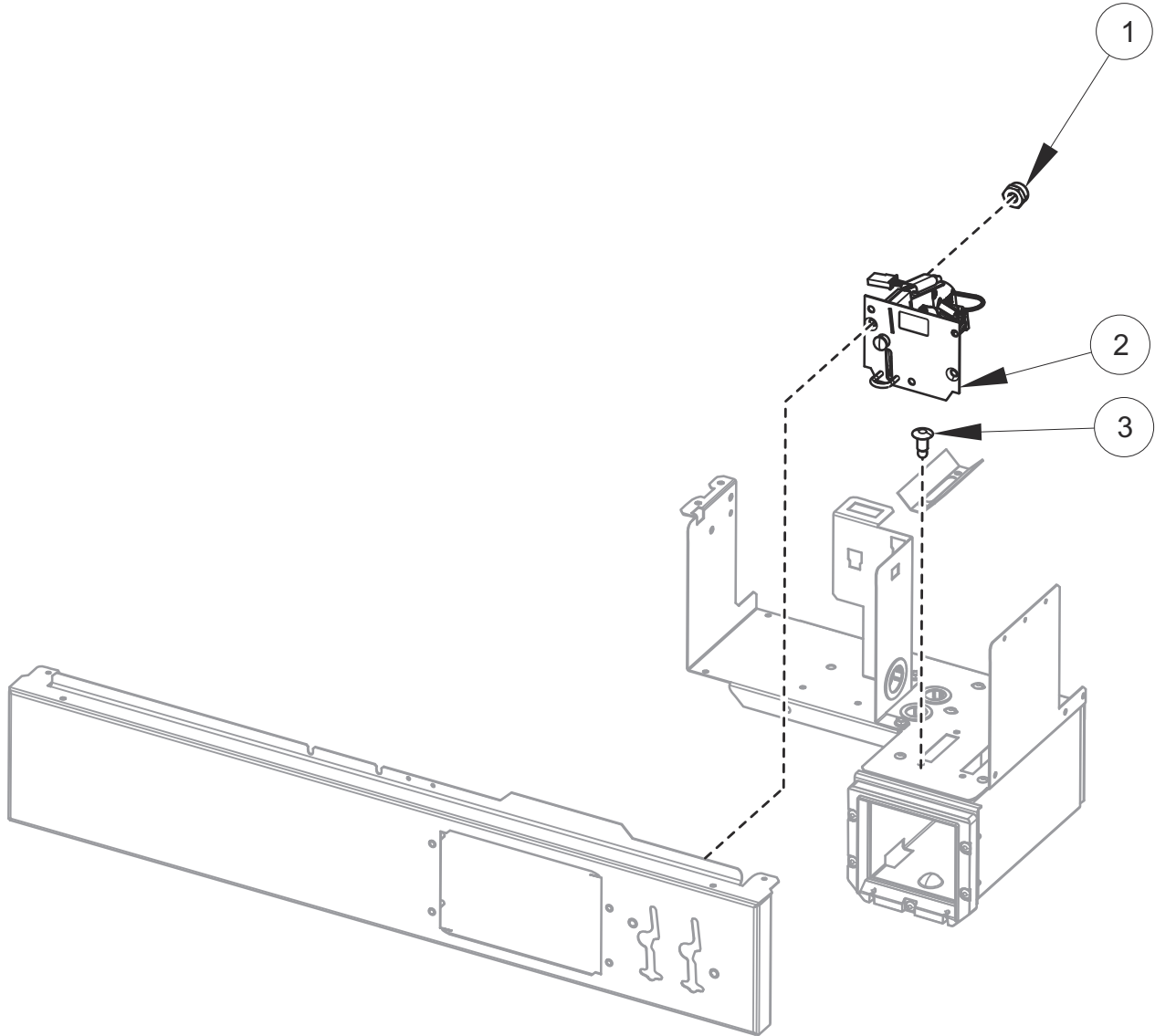


C-CHM5P2\_F8674801

# Control Tray Assembly

REF	PART NO.	DESCRIPTION	COMMENTS
	205223P	Gateway	
	205391P	Gateway	
	F8520404	Wireless Harness	Models through January 2019
	F8674004	Wireless Harness	Models starting February 2019
	F8662402	Wireless Kit	Models through January 2019; Includes items 4, 5, F8520404 Wireless Harness and labels
	F8676101	Wireless Kit	Models starting February 2019; Includes items 4, 5, F8674004 Wireless Harness and labels
<b>1</b>	202758	Transformer	External supply
<b>2</b>	F8206901	Screw	
<b>3</b>	F8491101	Transformer	N and P voltage
<b>4</b>	430497	Screw	
<b>5</b>	203532	Wireless Network Control Assembly	Models through January 2019
	807211	Wireless Network Control Assembly	Models starting February 2019
<b>6</b>	70030501	Expansion Clip	
<b>7</b>	70347601	Wire Clip	External supply
<b>8</b>	M400003	Pop Rivet	
<b>9</b>	00622SG	Terminal	
<b>10</b>	F8449501	Wire Clip	
<b>11</b>	F8530701	Control Tray	
<b>12</b>	F8494101P	Input and Output Control Assembly	

# Flush Mount Coin Meter Assembly - Single Drop



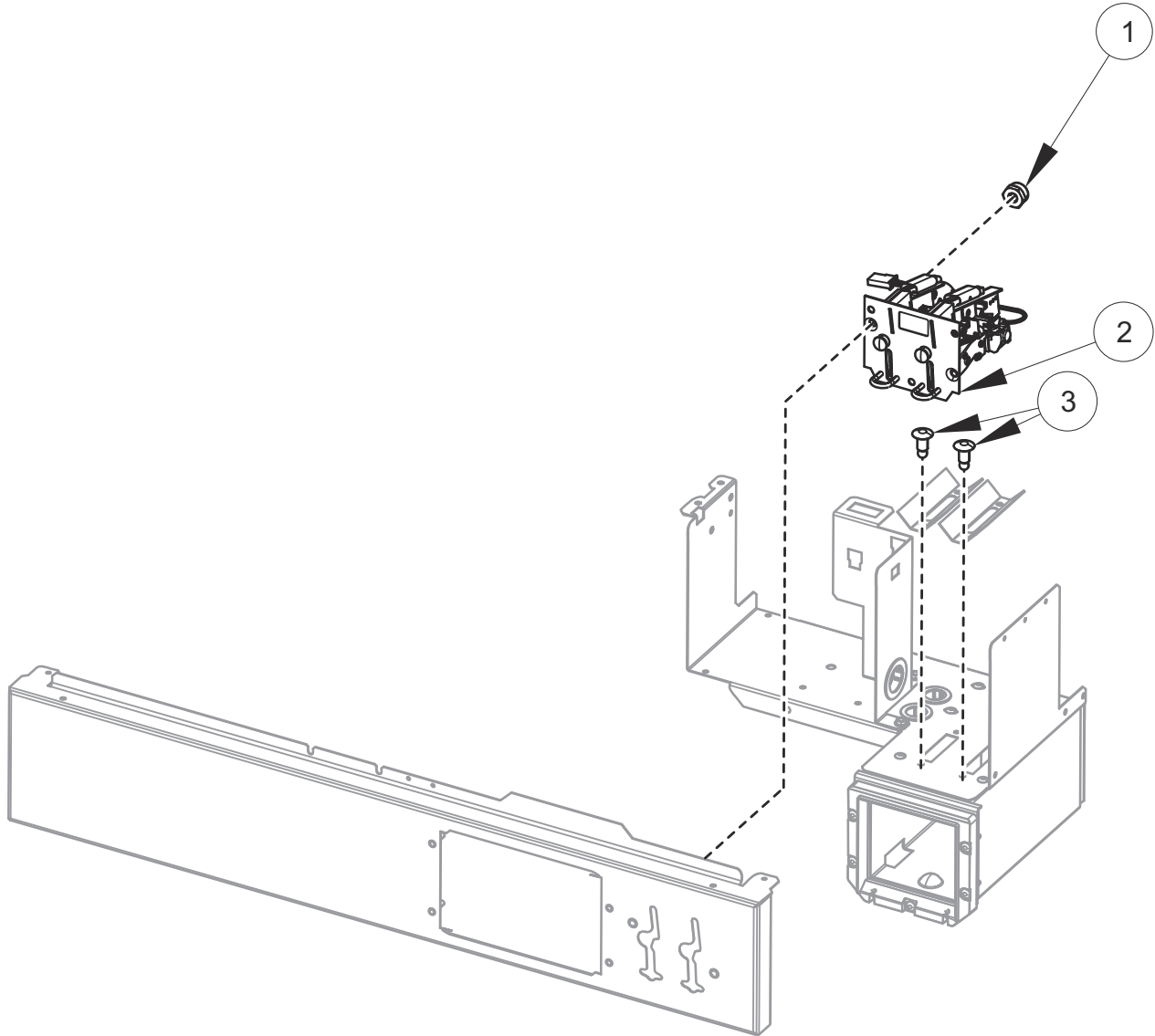
C-CHM6P7\_F8674801



## Flush Mount Coin Meter Assembly - Single Drop

REF	PART NO.	DESCRIPTION	COMMENTS
	44374701	App Pay Overlay Kit	
	38725	Coin Identification Paper	
	200674P	Opto Coupler	
<b>1</b>	685846	Nut	
<b>2</b>	70441601P	Coin Drop	U.S.A.; \$.25
	38475	Coin Drop Assembly	Japan; 100 yen
	38464P	Coin Drop Assembly	Canada; .25
	CK077	Coin Drop Kit	Taiwan; 10 NT
	70506901	Coin Drop Assembly	Singapore; \$1.00 NEW
	38462P	Coin Drop Assembly	Token; STD 118-1
	38463	Coin Drop Assembly	Token; STD 118-5
	38963P	Coin Drop	Token STD 118-16
	39748	Coin Drop	Jeton 08MS
	201141	Coin Drop Assembly	Token; Jeton wh121
	70471601	Coin Drop Assembly	Token; 7K
<b>3</b>	70058501	Pop Rivet	

# Flush Mount Coin Meter Assembly - Dual Drop

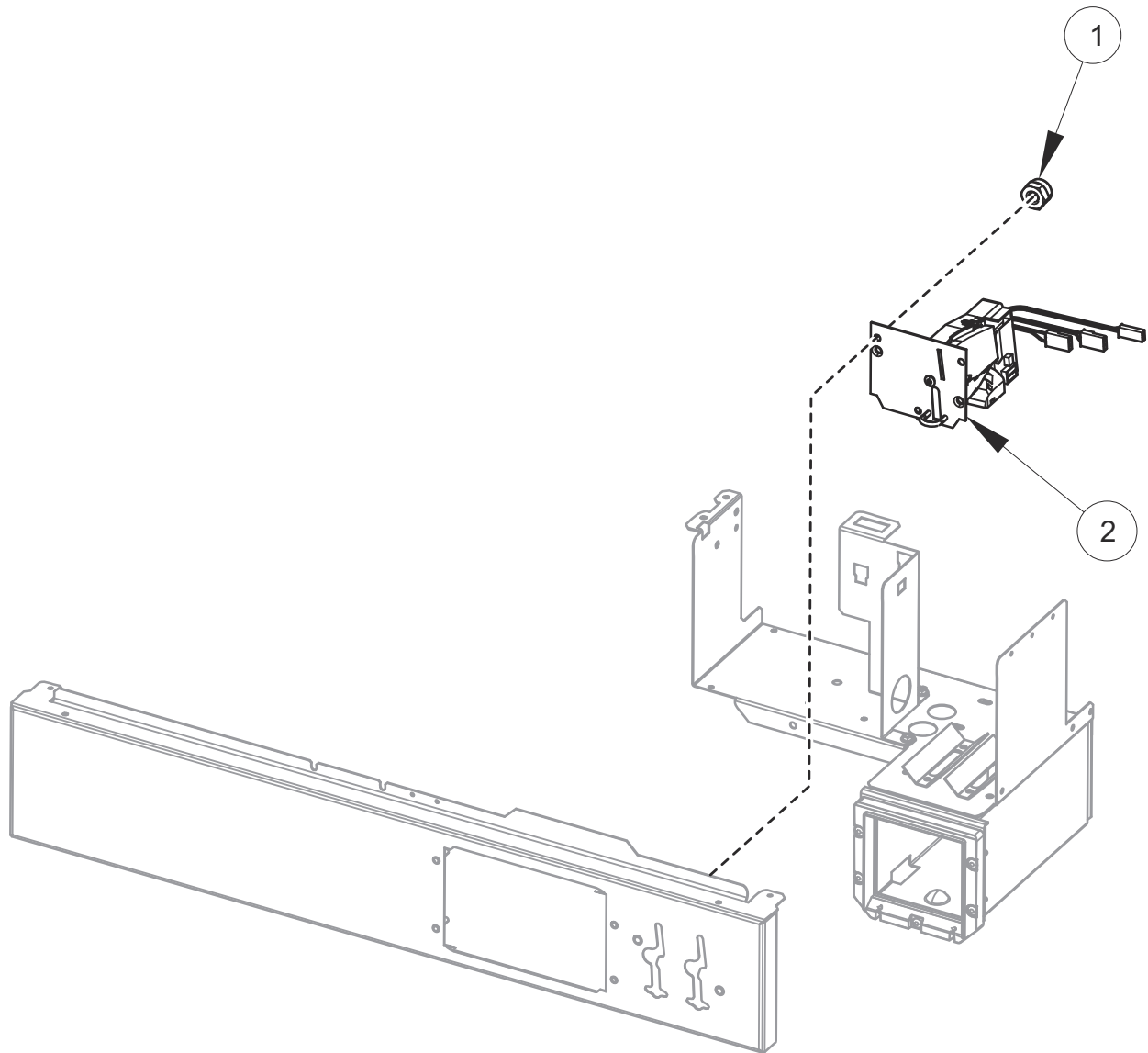


C-CHM6P8\_F8674801

## Flush Mount Coin Meter Assembly - Dual Drop

REF	PART NO.	DESCRIPTION	COMMENTS
	44374701	App Pay Overlay Kit	
	38725	Coin Identification Paper	
	200674P	Opto Coupler	
<b>1</b>	685846	Nut	
<b>2</b>	70441603	Coin Drop	U.S.A.; \$.25 and \$1.00
	38519	Coin Drop Assembly	Japan; 100 yen and 500 yen
	70441602	Coin Drop Assembly	Canada; .25 and \$1.00
	38467	Coin Drop Assembly	Australia; \$0.20 and \$1.00
	70447301	Coin Drop Assembly	Australia; \$1.00 and \$2.00
	70283102	Coin Drop Assembly	0.20 and 0.50 Euro
	210195	Coin Drop Assembly	0.20 and 1.00 Euro
	210196	Coin Drop Assembly	0.50 and 1.00 Euro
	F0160737-00	Coin Meter	0.50 and 2.00 Euro
	70281102	Coin Drop Assembly	Taiwan; 10 and 50 NT
	70482401	Coin Drop Assembly	New Zealand; \$1.00 and \$2.00
	CK503	Coin Drop Kit	U.S.A. and Canada; \$.25 and \$1.00
<b>3</b>	70058501	Pop Rivet	

# Electronic Coin Meter Assembly

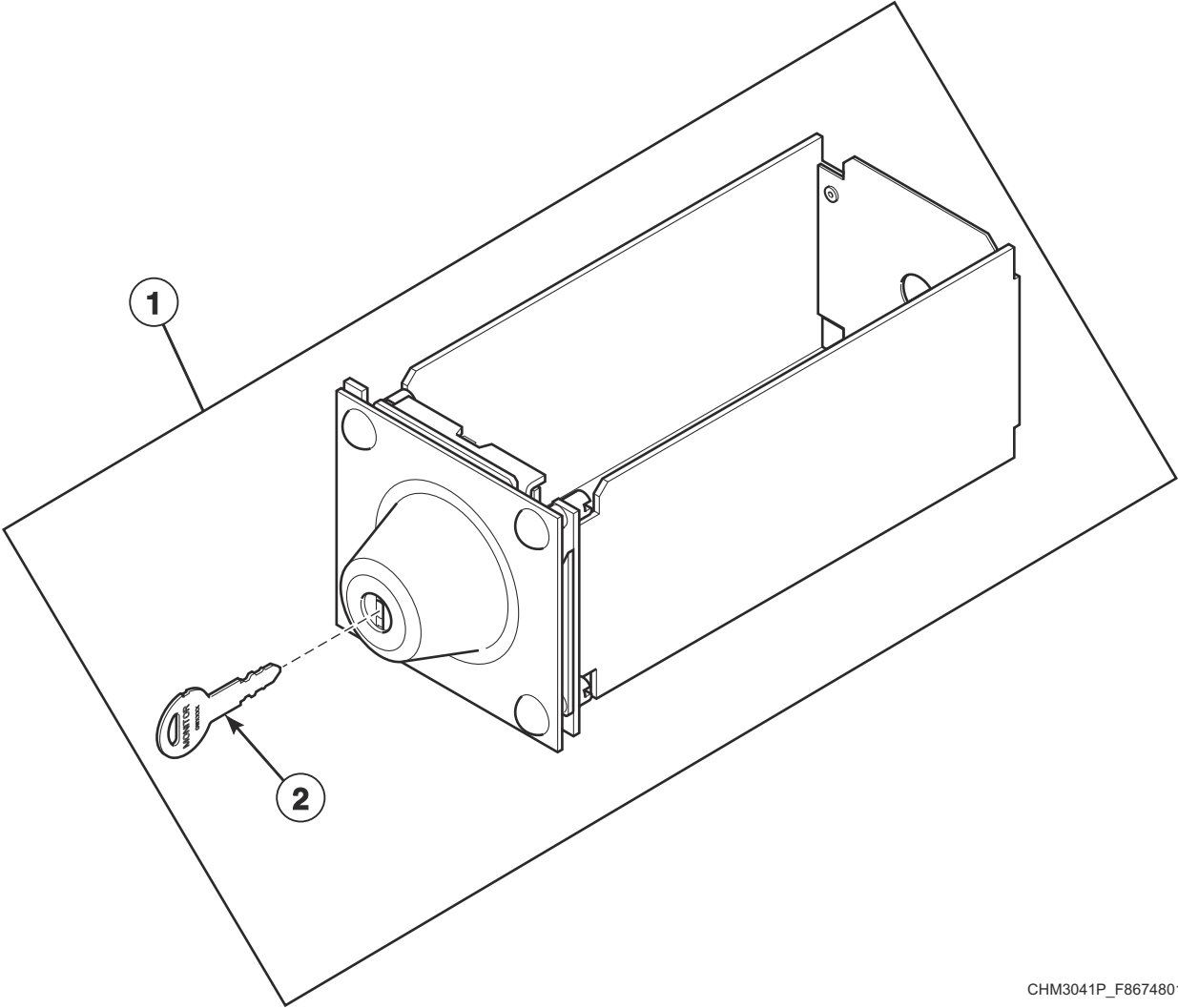


C-CHM6P6\_F8674801

# Electronic Coin Meter Assembly

REF	PART NO.	DESCRIPTION	COMMENTS
	44374701	App Pay Overlay Kit	
	38725	Coin Identification Paper	
	CK500	Electronic Coin Drop Kit	For use when installing Electronic Coin Drop Kits
	F8034701P	Pulse Expander Assembly	
<b>1</b>	F430215	Nut	
<b>2</b>	70513302	Electronic Coin Drop Assembly	Euro and Great Britain coins
	70513310	Electronic Coin Drop Assembly	Japan and Thailand coins
	70513304	Electronic Coin Drop Assembly	Australia, New Zealand, Hong Kong and South Korea coins
	70513303	Electronic Coin Drop Assembly	Denmark, Norway and Euro coins
	70513306	Electronic Coin Drop Assembly	Mexico, Ecuador and U.S.A. coins
	70294107	Electronic Coin Drop Assembly	Lithuania, Latvia and Euro coins
	70513311	Electronic Coin Drop Assembly	Chiang Malaysia coins
	70513308	Electronic Coin Drop Assembly	South African 1 and 5 rand coins
	70513309	Electronic Coin Drop Assembly	Euro coins
	70513312	Electronic Coin Drop Assembly	Russia coins
	70513313	Electronic Coin Drop Assembly	Philippines coins
	70513314	Electronic Coin Drop Assembly	Thailand coins
	70513315	Electronic Coin Drop Assembly	Chile coins
	70513316	Electronic Coin Drop Assembly	Singapore coins
	CK115	Electronic Coin Drop Kit	United States and Canada; Includes 38725 Coin Identification Paper
	CK099	Electronic Coin Drop Kit	Australia (default), New Zealand, Hong Kong, South Korea and Malaysia; Includes 38725 Coin Identification Paper
	CK100	Electronic Coin Drop Kit	United Kingdom (default) and Europe; Includes 38725 Coin Identification Paper
	CK101	Electronic Coin Drop Kit	Europe (default), Denmark and Norway; Includes 38725 Coin Identification Paper
	CK108	Electronic Coin Drop Kit	South Africa; Includes 38725 Coin Identification Paper
	CK109	Electronic Coin Drop Kit	Euro; Includes 38725 Coin Identification Paper
	CK110	Electronic Coin Drop Kit	Mexico (default), Ecuador and United States; Includes 38725 Coin Identification Paper
	CK113	Electronic Coin Drop Kit	Japan and Taiwan; Includes 38725 Coin Identification Paper
	CK116	Electronic Coin Drop Kit	Malaysia (default) and China; Includes 38725 Coin Identification Paper
	CK117	Electronic Coin Drop Kit	Russia; Includes 38725 Coin Identification Paper
	CK118	Electronic Coin Drop Kit	Philippine; Includes 38725 Coin Identification Paper
	CK119	Electronic Coin Drop Kit	Thailand; Includes 38725 Coin Identification Paper
	CK120	Electronic Coin Drop Kit	Chile; Includes 38725 Coin Identification Paper
	CK121	Electronic Coin Drop Kit	Singapore; Includes 38725 Coin Identification Paper
	CK122	Coin Drop Kit	New Zealand; 1.00 and 2.00; Includes 38725 Coin Identification Paper

# Optional Coin Box

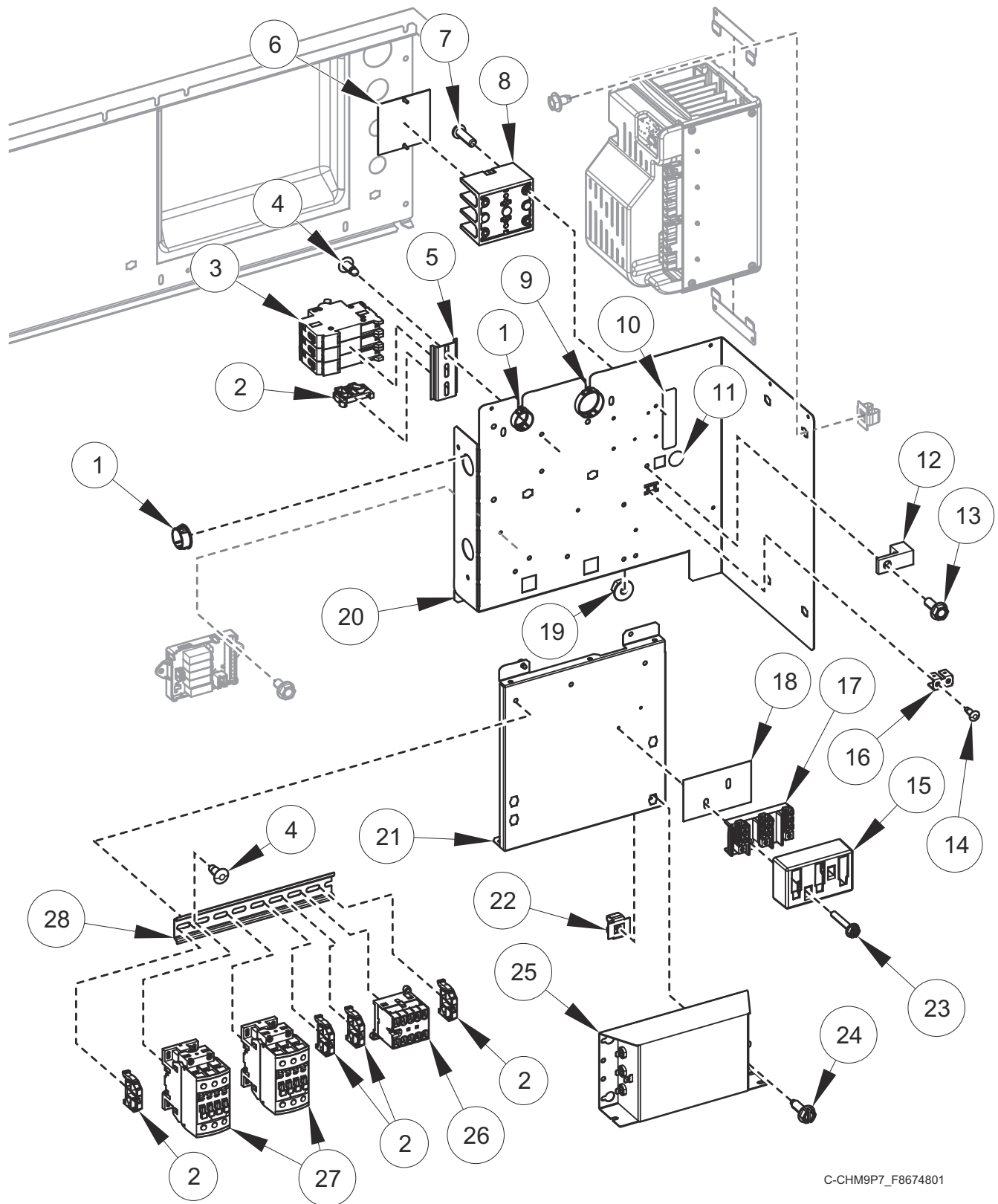


CHM3041P\_F8674801

# Optional Coin Box

REF	PART NO.	DESCRIPTION	COMMENTS
1	F8182001	Coin Drawer Assembly	
2	F160420	Key	GW0023

# Inverter Drive Box - Q and X Voltage



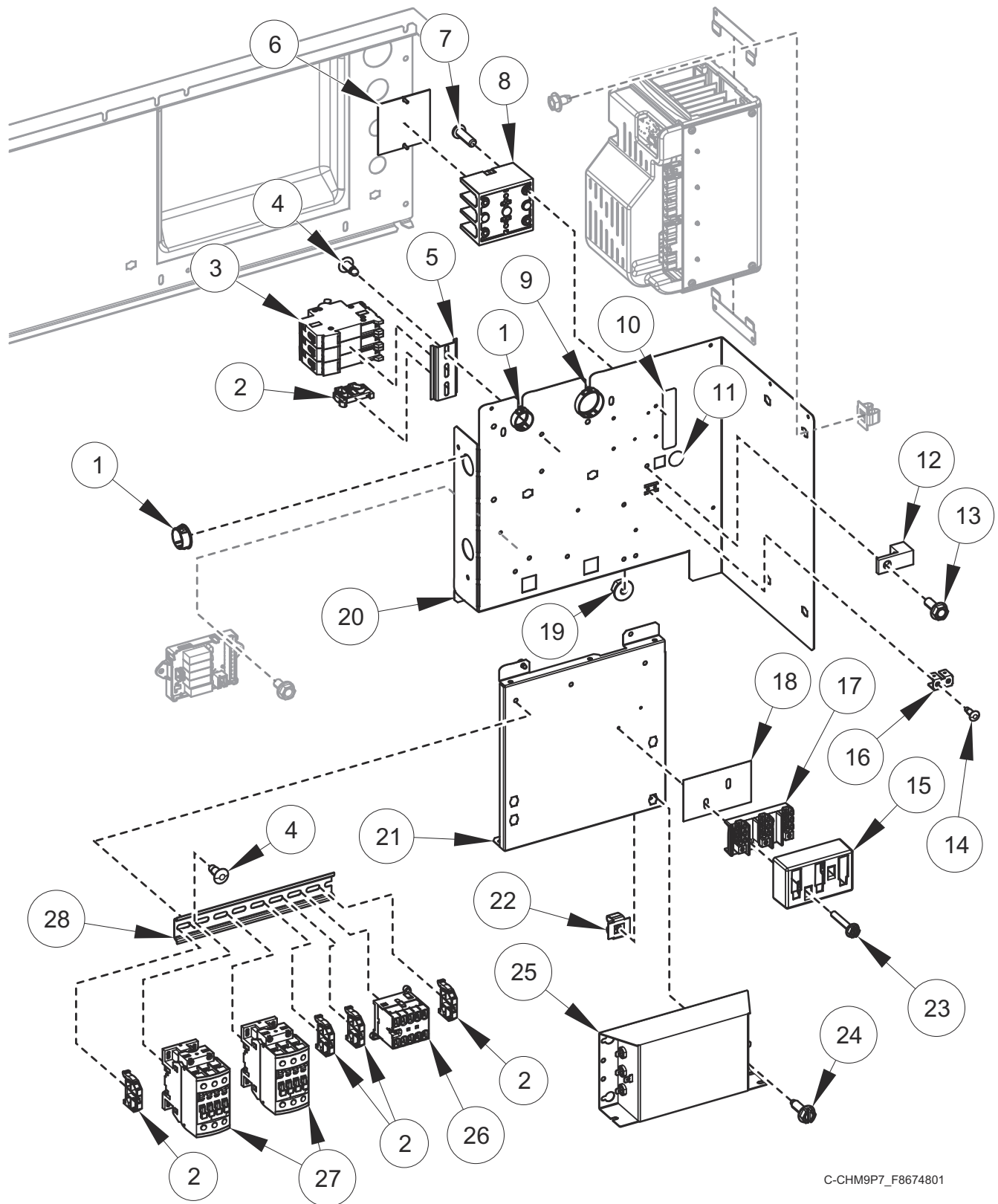
C-CHM9P7\_F8674801



## Inverter Drive Box - Q and X Voltage

REF	PART NO.	DESCRIPTION	COMMENTS
	F8567003	Drive Panel Base Assembly	Includes items 4, 11, 12, 16, 23, 24 and 29
	F8567004	Drive Panel Base Assembly	Electric heat; Includes items 4, 5, 11, 12, 16, 23, 24 and 29
	F8583501	Jumper	Circuit breaker jumper; Electric heat
	F8518401	Harness	Power TB1; X voltage
	F8518403	Harness	Power CB; Q voltage; Electric heat
	F8518404	Harness	Power filter
	F8518606	Harness	Power drive
	F8528001	Harness	TB filter
	F8528003	Harness	CB filter; Electric heat
	F8528005	Harness	TB2 filter
	F8619101	Power Harness	Power contactor; Electric heat
	F8619102	Harness	Power contactor; Electric heat; IEC
	F8662813	Filter Kit	Includes items 1, 15, 17, 18, 22-25, harness and labels; Q voltage; Electric heat
	F8662808	Filter Kit	Includes items 1, 15, 17, 18, 22-25, harness and labels; X voltage
<b>1</b>	F140938	Snap Bushing	
<b>2</b>	F8449801	End Stop	
<b>3</b>	70488101	Circuit Breaker	3P; 25A; Electric heat
<b>4</b>	70058501	Pop Rivet	
<b>5</b>	B12315401	DIN Rail	7.5 mm x 35 mm x 72 mm; Electric heat
<b>6</b>	44014901P	Power Distribution Block Cover	Electric heat
<b>7</b>	39733	Screw	Electric heat
<b>8</b>	M413865	Power Distribution Block	Electric heat
<b>9</b>	70346501	Bushing	
<b>10</b>	44286803	Label	Power input; L1, L2, L3
	44286804	Wire Label	Power input; L1, L2/N; L1, L2, L3; X voltage
<b>11</b>	D516100	Label	
<b>12</b>	M411283	Ground Lug Connector	
<b>13</b>	685837	Screw	
<b>14</b>	M400003	Pop Rivet	
<b>15</b>	70333001	Terminal Block Shield	
<b>16</b>	00622SG	Terminal	
<b>17</b>	430642	Terminal Block	
<b>18</b>	M413862	Insulator	
<b>19</b>	44088001	Nut	
<b>20</b>	F8530803	Drive Terminal Tray	
<b>21</b>	F8530901	Contactorm Tray	
<b>22</b>	70030501	Expansion Clip	
<b>23</b>	51783	Screw	
<b>24</b>	F8206901	Screw	
<b>25</b>	F8591801	EMI Filter	200/240 Volt; 1/3 Phase; 20 Amp
	F8637501	EMI Filter	380/480 Volt; 3 Phase; 12 Amp
<b>26</b>	70482601	Contactorm	5.5kW/500V; 24VDC
<b>27</b>	70482701	Contactorm	50A; 24VDC
<b>28</b>	M412689	DIN Rail	7.5 mm x 35 mm x 8.364 inch

# Inverter Drive Box - N and P Voltage



C-CHM9P7\_F8674801

## Inverter Drive Box - N and P Voltage

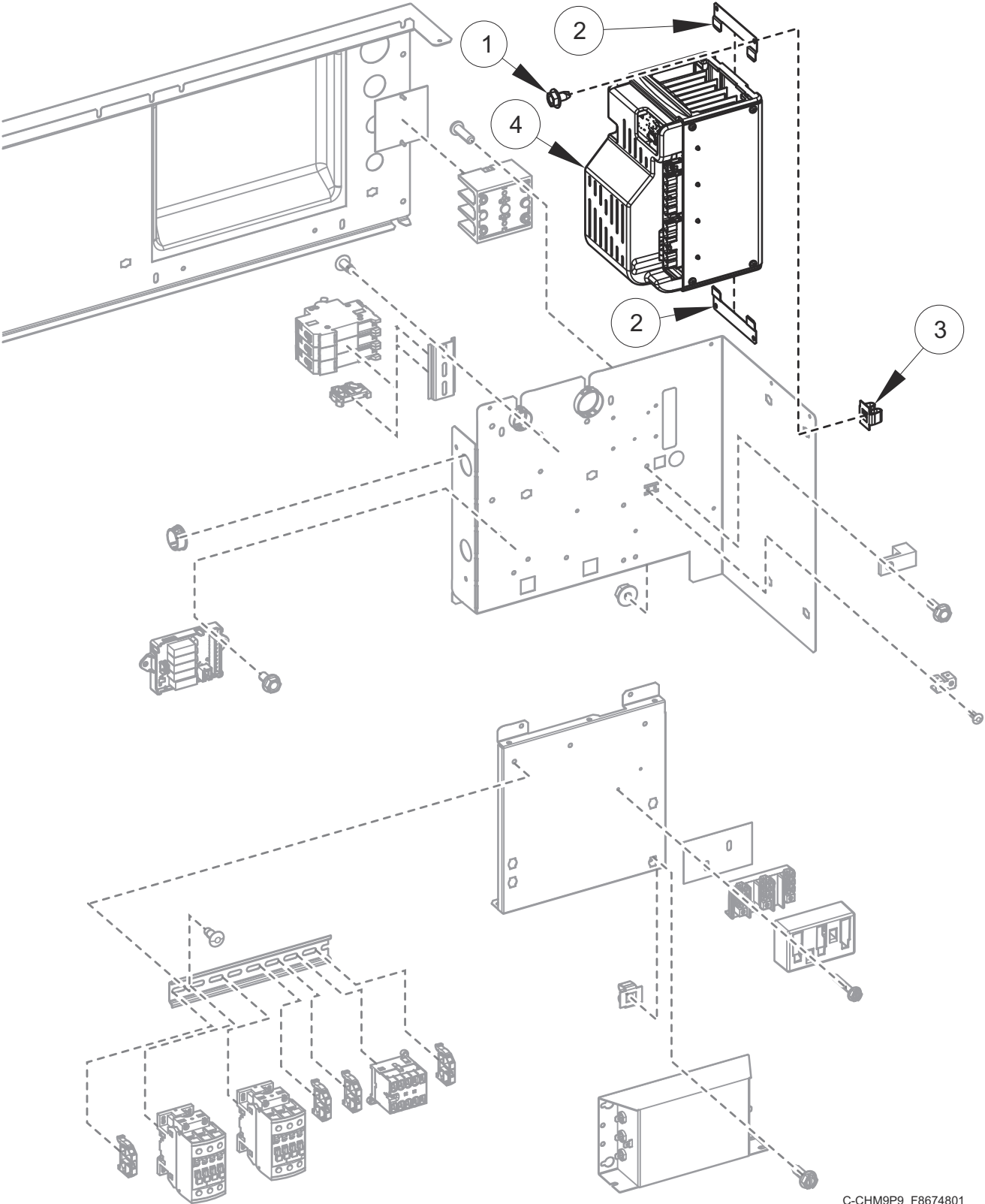
REF	PART NO.	DESCRIPTION	COMMENTS
	F8567003	Drive Panel Base Assembly	Includes items 4, 11, 12, 16, 23, 24 and 29
	F8567004	Drive Panel Base Assembly	Electric heat; Includes items 4, 5, 11, 12, 16, 23, 24 and 29
	F8583501	Jumper	Circuit breaker jumper; Electric heat
	F8518501	Harness	
	F8518403	Harness	Electric heat
	F8518503	Harness	Electric heat
	F8518504	Harness	Power filter
	F8518606	Harness	Power drive
	F8528001	Harness	TB filter
	F8528003	Harness	CB filter; Electric heat
	F8528005	Harness	TB2 filter
	F8619101	Power Harness	Power contactor; Electric heat
	F8619102	Harness	Power contactor; Electric heat
	F8662814	Filter Kit	Includes items 1, 15, 17, 18, 22-25, harness and labels; Electric heat
	F8662807	Filter Kit	Includes items 1, 15, 17, 18, 22-25, harness and labels
<b>1</b>	F140938	Snap Bushing	
<b>2</b>	F8449801	End Stop	
<b>3</b>	70488101	Circuit Breaker	3P; 25A; Electric heat
<b>4</b>	70058501	Pop Rivet	
<b>5</b>	B12315401	DIN Rail	7.5 mm x 35 mm x 72 mm; Electric heat
<b>6</b>	44014901P	Power Distribution Block Cover	Electric heat
<b>7</b>	39733	Screw	Electric heat
<b>8</b>	M413865	Power Distribution Block	Electric heat
<b>9</b>	70346501	Bushing	
<b>10</b>	44286803	Label	Power input; L1, L2, L3
<b>11</b>	D516100	Label	
<b>12</b>	M411283	Ground Lug Connector	
<b>13</b>	685837	Screw	
<b>14</b>	M400003	Pop Rivet	
<b>15</b>	70333001	Terminal Block Shield	
<b>16</b>	00622SG	Terminal	
<b>17</b>	430642	Terminal Block	
<b>18</b>	M413862	Insulator	
<b>19</b>	44088001	Nut	
<b>20</b>	F8530803	Drive Terminal Tray	
<b>21</b>	F8530901	Contactorm Tray	
<b>22</b>	70030501	Expansion Clip	
<b>23</b>	51783	Screw	
<b>24</b>	F8206901	Screw	
<b>25</b>	F8591801	EMI Filter	200/240 Volt; 1/3 Phase; 20 Amp
	F8637501	EMI Filter	380/480 Volt; 3 Phase; 12 Amp
<b>26</b>	70482601	Contactorm	5.5kW/500V; 24VDC
<b>27</b>	70482701	Contactorm	50A; 24VDC
<b>28</b>	M412689	DIN Rail	7.5 mm x 35 mm x 8.364 inch



## External Supply Kit

REF	PART NO.	DESCRIPTION	COMMENTS
	F8662508	External Supply Kit	Coin and central pay models; Includes items 1-3, 202758 Transformer, F8520602 Harness, F8528204 Harness, hardware and labels; 4 out
	F8662504	External Supply Kit	Card ready models; Includes items 1-3, F8520602 Harness, F8528204 Harness and labels; 4 out
	F8520602	Harness	Communication
	F8528204	Harness	Power
<b>1</b>	F140938	Snap Bushing	
<b>2</b>	430497	Screw	
<b>3</b>	804528	Chemical Injection Control	5 output
	70493102	Connector	9 pin; H2

# Inverter Drive

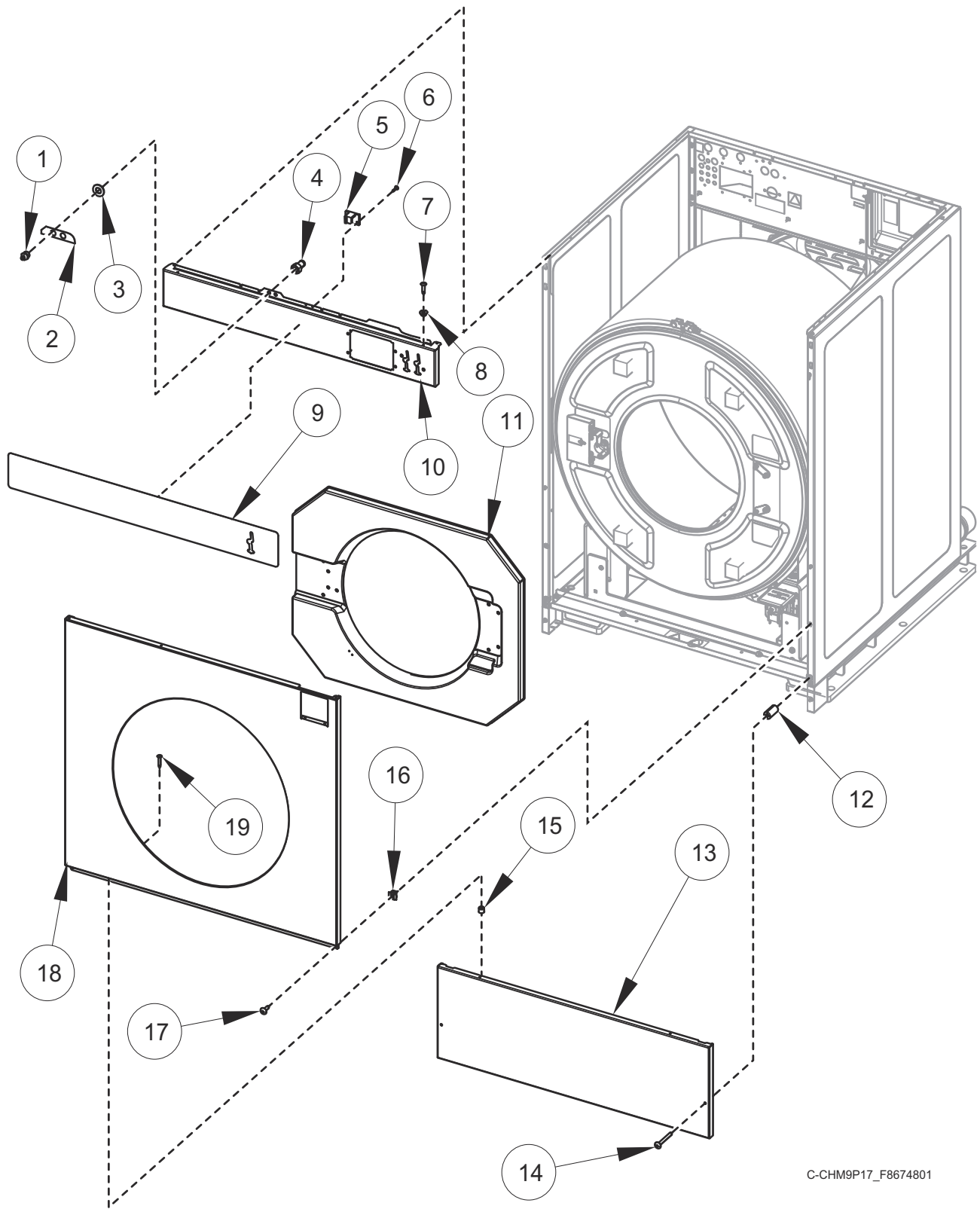


C-CHM9P9\_F8674801

## Inverter Drive

REF	PART NO.	DESCRIPTION	COMMENTS
	F8519202	Drive Communication Harness	Electric heat; N and P voltage
	F8519203	Drive Communication Harness	Electric heat; Q voltage
	F8519201	Drive Communication Harness	Standard
	F8519204	Drive Communication Harness	Steam heat
	F8518603	Drive Power Harness	2/3/5 hp; 480 Volt
<b>1</b>	D503688	Screw	
<b>2</b>	F8322401	Drive Mounting Bracket	
<b>3</b>	70030501	Expansion Clip	
<b>4</b>	F8496601	Drive Assembly	Q and X voltage; 5 hp; 240 Volt
	F8496901	Drive Assembly	N and P voltage; 5 hp; 480 Volt

# Front Panels and Control Panel - Coin Models - Design 4



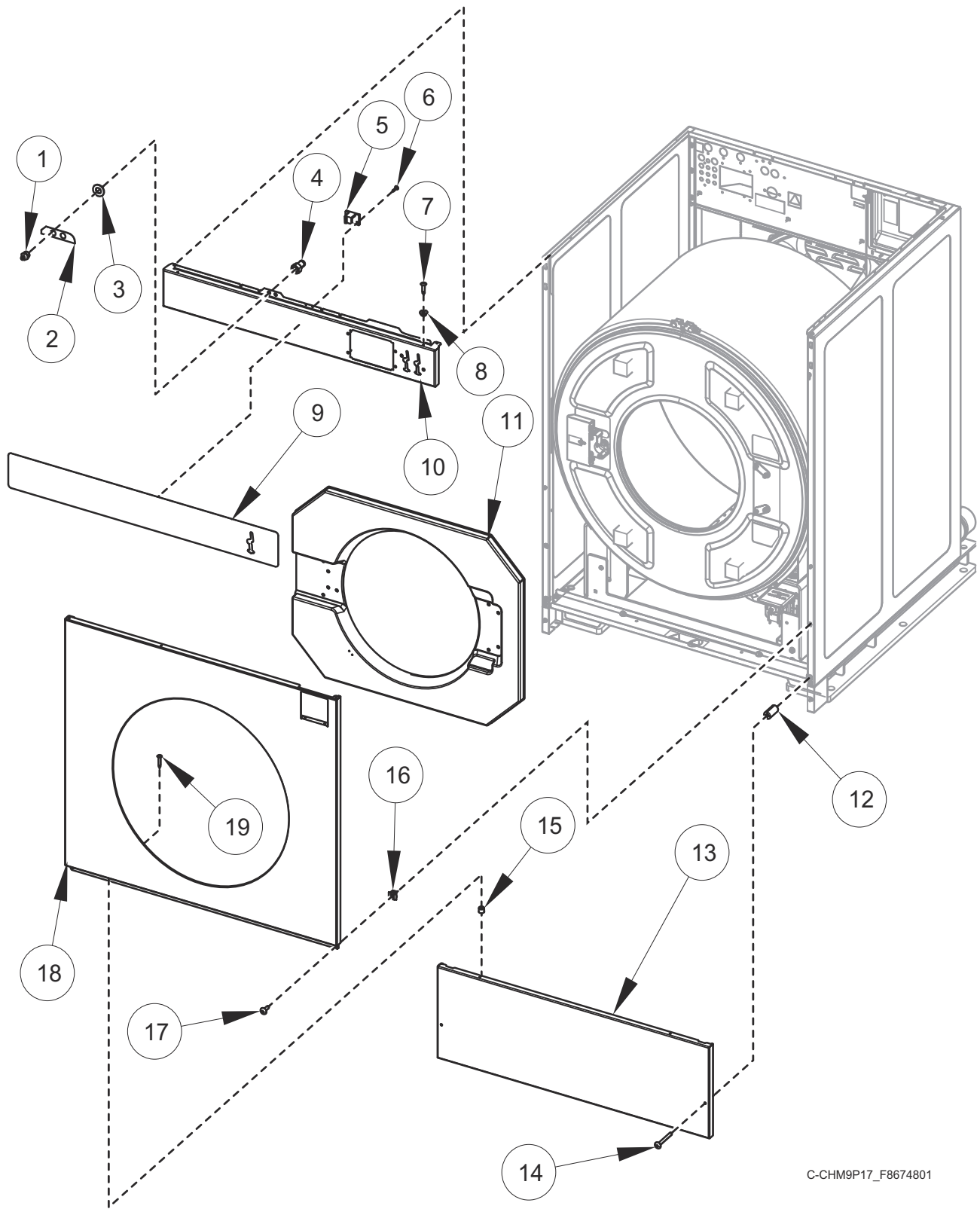
C-CHM9P17\_F8674801



## Front Panels and Control Panel - Coin Models - Design 4

REF	PART NO.	DESCRIPTION	COMMENTS
1	F190701	Grease Fitting	
2	F8613501	Label	Grease instruction notice
3	70292801	Washer	
4	F422114	Air Coupling	
	F8245713	Hose	
5	F8201001	Top Cover Latch	
6	F431215	Pop Rivet	
7	70412601	Pop Rivet	
8	F8201101	Washer	
9	F8641601	Overlay	Single coin; Gray
	F8641602	Overlay	Dual coin; Gray
	F8641605	Overlay	World drop; Gray
	F8594301	Overlay	80 pound models; Single coin; Citron
	F8594302	Overlay	80 pound models; Dual coin; Citron
	F8594901	Overlay	80 pound models; Single coin; Cityscape
	F8594902	Overlay	80 pound models; Dual coin; Cityscape
	F8594401	Overlay	100 pound models; Single coin; Citron
	F8594402	Overlay	100 pound models; Dual coin; Citron
	F8595001	Overlay	100 pound models; Single coin; Cityscape
	F8595002	Overlay	100 pound models; Dual coin; Cityscape
	70556801	Overlay	Secondary world drop; Right drop; Gray
	70556601	Overlay	Secondary world drop; Left drop; Gray
10	F8552601	Control Panel Assembly	
11	F170419-3	Door Bezel	
12	F8609701	Access Panel Retaining Spacer	
13	F8552702	Access Panel	
14	F8589501	Screw	
15	56079	Panel Locator	
16	70030501	Expansion Clip	
17	F8117601	Screw	
18	F8552801	Front Panel	
19	M412763	Rivet	

# Front Panels and Control Panel - Coin Models - Design 6

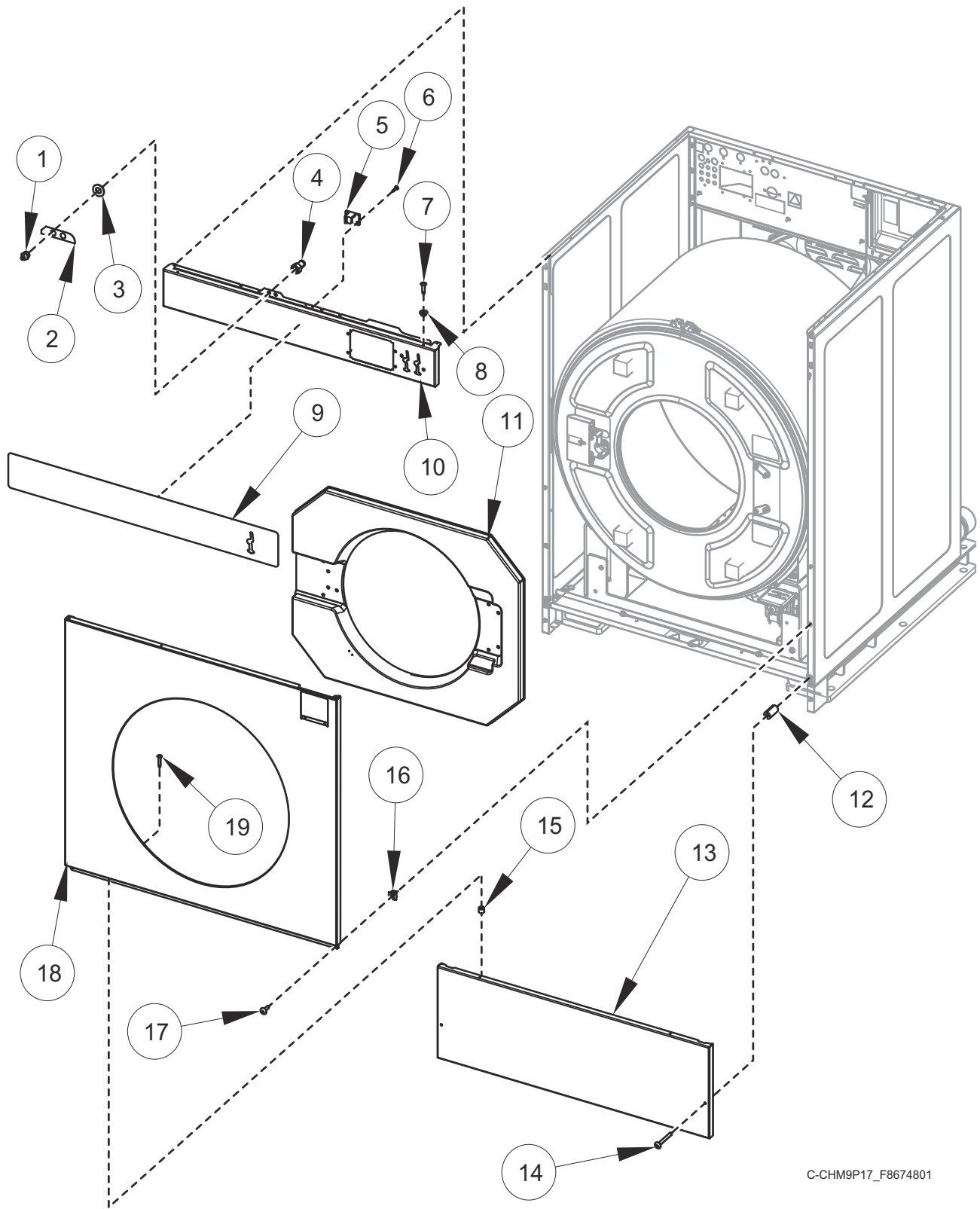


C-CHM9P17\_F8674801

## Front Panels and Control Panel - Coin Models - Design 6

REF	PART NO.	DESCRIPTION	COMMENTS
1	F190701	Grease Fitting	
2	F8613501	Label	Grease instruction notice
3	70292801	Washer	
4	F422114	Air Coupling	
	F8245713	Hose	
5	F8201001	Top Cover Latch	
6	F431215	Pop Rivet	
7	70412601	Pop Rivet	
8	F8201101	Washer	
9	F8692601	Overlay	Single coin
	F8692602	Overlay	Dual coin
	F8693101	Overlay	Single coin; Cityscape
	F8693102	Overlay	Dual coin; Cityscape
	F8693601	Overlay	Single coin; Citron
	F8693602	Overlay	Dual coin; Citron
	F8694101	Overlay	Single coin; International
	F8694102	Overlay	Dual coin; International
	F8694105	Overlay	World drop; International
	70645601	Overlay	Secondary single drop; Gray
	70645901	Overlay	Secondary world drop; Gray
	70645701	Overlay	Secondary single drop; Green
	70645801	Overlay	Secondary world drop; Green
10	F8697501	Control Panel Assembly	Coin
11	F170419-3	Door Bezel	
12	F8609701	Access Panel Retaining Spacer	
13	F8552702	Access Panel	
14	F8589501	Screw	
15	56079	Panel Locator	
16	70030501	Expansion Clip	
17	F8117601	Screw	
18	F8685901	Front Panel	Coin
19	M412763	Rivet	

# Front Panels and Control Panel - Coin Models - Design 7

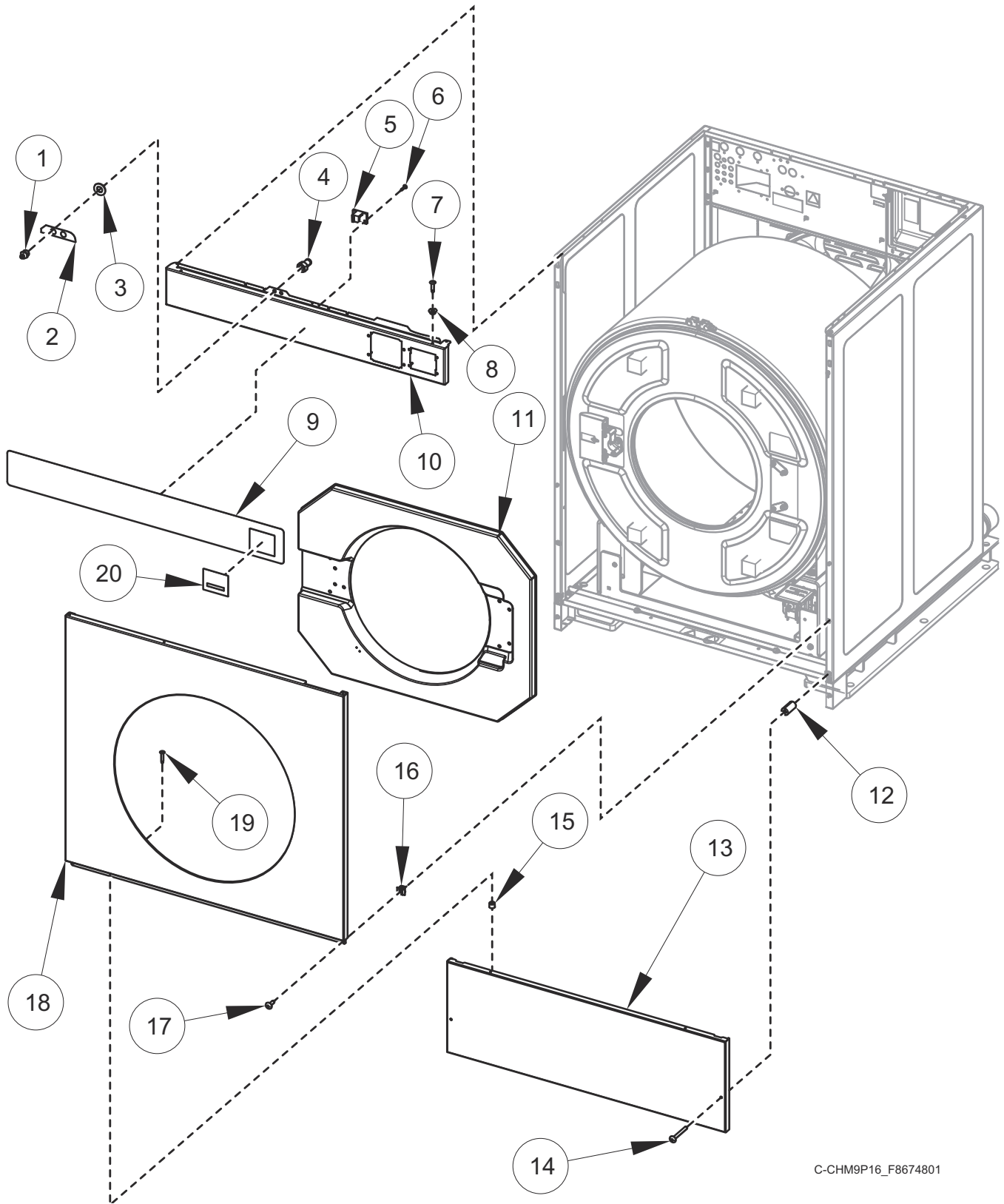


C-CHM9P17\_F8674801

## Front Panels and Control Panel - Coin Models - Design 7

REF	PART NO.	DESCRIPTION	COMMENTS
1	F190701	Grease Fitting	
2	F8613501	Label	Grease instruction notice
3	70292801	Washer	
4	F422114	Air Coupling	
	F8245713	Hose	
5	F8201001	Top Cover Latch	
6	F431215	Pop Rivet	
7	70412601	Pop Rivet	
8	F8201101	Washer	
9	F8591401	Overlay	80 pound models; Single coin
	F8591501	Overlay	100 pound models; Single coin
	F8591402	Overlay	80 pound models; Dual coin
	F8591502	Overlay	100 pound models; Dual coin
	F8594301	Overlay	80 pound models; Single coin; Citron
	F8594401	Overlay	100 pound models; Single coin; Citron
	F8594302	Overlay	80 pound models; Dual coin; Citron
	F8594402	Overlay	100 pound models; Dual coin; Citron
	F8594901	Overlay	80 pound models; Single coin; Cityscape
	F8595001	Overlay	100 pound models; Single coin; Cityscape
	F8594802	Overlay	80 pound models; Dual coin; Cityscape
	F8595002	Overlay	100 pound models; Dual coin; Cityscape
	F8727901	Overlay	80 pound models; Single coin; International
	F8728001	Overlay	100 pound models; Single coin; International
	F8727902	Overlay	80 pound models; Dual coin; International
	F8728002	Overlay	100 pound models; Dual coin; International
	F8727905	Overlay	80 pound models; World Drop; International
	F8728005	Overlay	100 pound models; World Drop; International
	70645601	Overlay	Secondary single drop; Gray
	70645901	Overlay	Secondary world drop; Gray
	70645701	Overlay	Secondary single drop; Green
	70645801	Overlay	Secondary world drop; Green
10	F8697501	Control Panel Assembly	Coin
11	F170419-3	Door Bezel	
12	F8609701	Access Panel Retaining Spacer	
13	F8552702	Access Panel	
14	F8589501	Screw	
15	56079	Panel Locator	
16	70030501	Expansion Clip	
17	F8117601	Screw	
18	F8552803	Front Panel	Coin
19	M412763	Rivet	

# Front Panels and Control Panel - Card Ready and Central Pay Models - Design 4

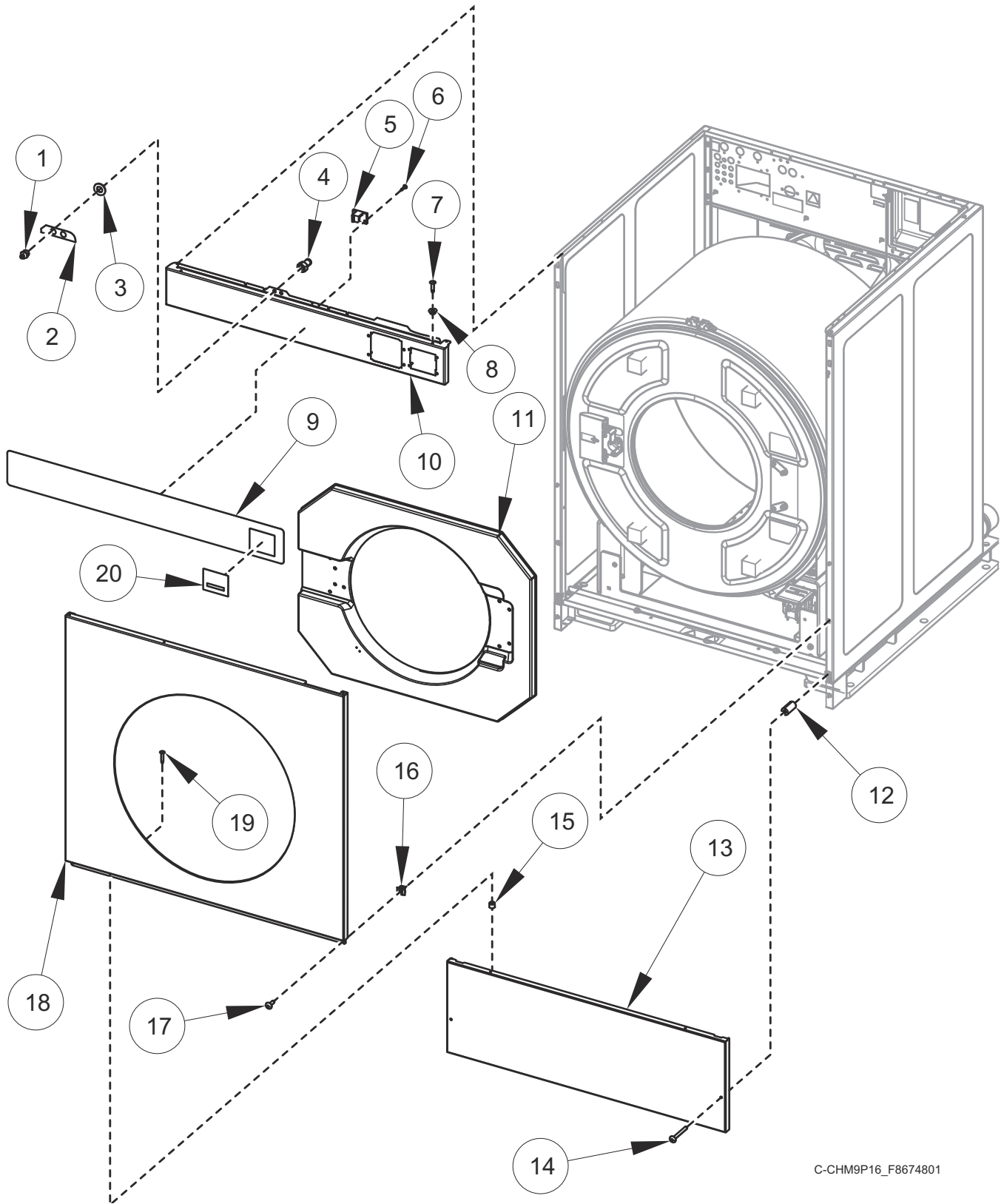


C-CHM9P16\_F8674801

## Front Panels and Control Panel - Card Ready and Central Pay Models - Design 4

REF	PART NO.	DESCRIPTION	COMMENTS
1	F190701	Grease Fitting	
2	F8613501	Label	Grease instruction notice
3	70292801	Washer	
4	F422114	Air Coupling	
	F8245713	Hose	
5	F8201001	Top Cover Latch	
6	F431215	Pop Rivet	
7	70412601	Pop Rivet	
8	F8201101	Washer	
9	F8641603	Overlay	Card ready models; Gray
	F8641604	Overlay	Central pay models; Gray
	F8594303	Overlay	80 pound card ready models; Green
	F8594403	Overlay	100 pound central pay models; Green
	F8594903	Overlay	80 pound card ready models; Gray/green
	F8595003	Overlay	100 pound central pay models; Gray/green
10	F8552604	Control Panel Assembly	
11	F8659301	Door Bezel	
12	F8609701	Access Panel Retaining Spacer	
13	F8552702	Access Panel	
14	F8589501	Screw	
15	56079	Panel Locator	
16	70030501	Expansion Clip	
17	F8117601	Screw	
18	F8552802	Front Panel	
19	M412763	Rivet	
20	70556501	Overlay	Card ready models; Gray
	70556502	Overlay	Central pay models; Gray
	70518101	Overlay	Card ready models; Green
	70518102	Overlay	Central pay models; Green

# Front Panels and Control Panel - Card Ready and Central Pay Models - Design 6



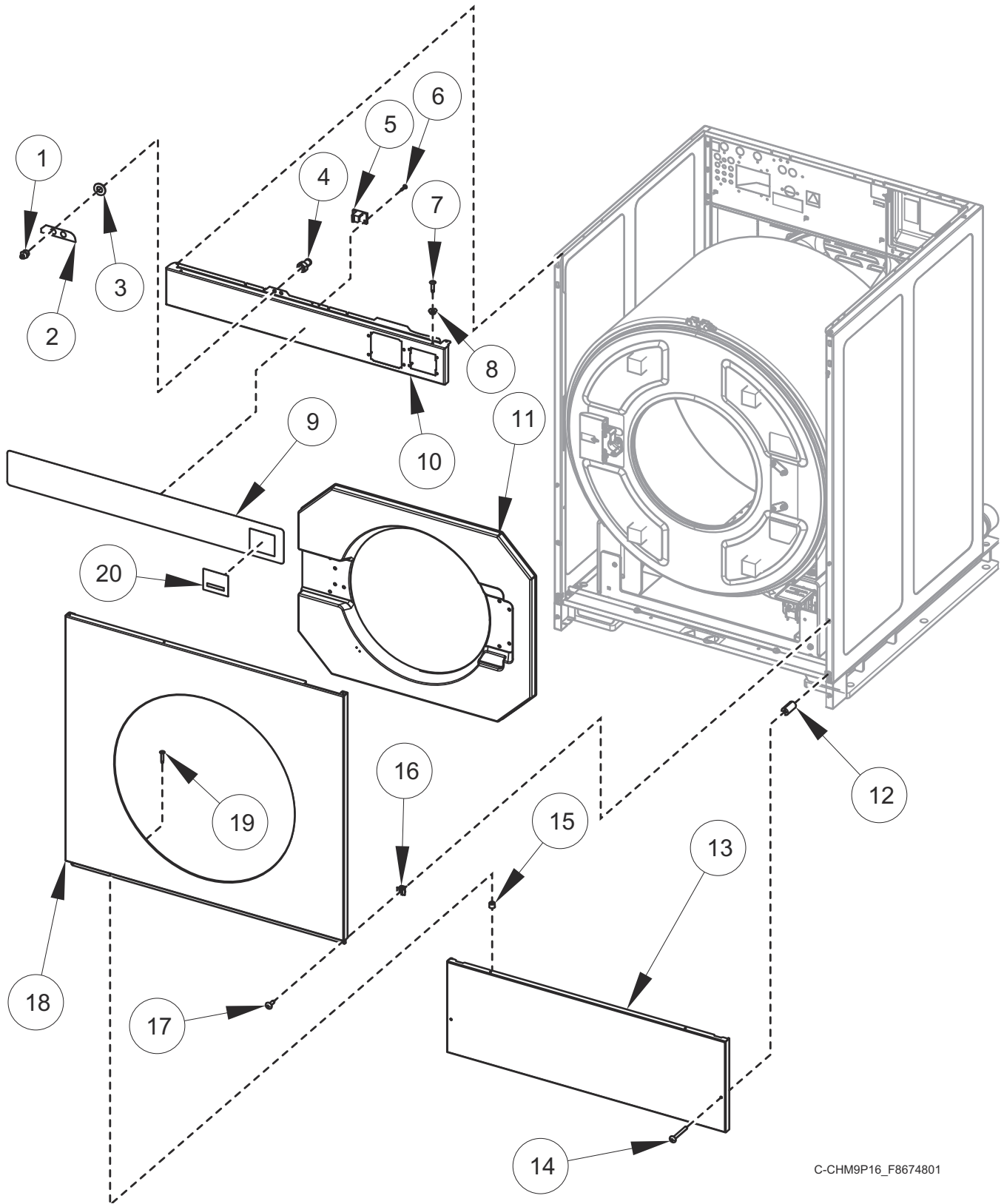
C-CHM9P16\_F8674801



## Front Panels and Control Panel - Card Ready and Central Pay Models - Design 6

REF	PART NO.	DESCRIPTION	COMMENTS
1	F190701	Grease Fitting	
2	F8613501	Label	Grease instruction notice
3	70292801	Washer	
4	F422114	Air Coupling	
	F8245713	Hose	
5	F8201001	Top Cover Latch	
6	F431215	Pop Rivet	
7	70412601	Pop Rivet	
8	F8201101	Washer	
9	F8692603	Overlay	Card ready models
	F8693103	Overlay	Card ready models; Cityscape
	F8693603	Overlay	Card ready models; Citron
	F8694103	Overlay	Card ready models; International
	F8694104	Overlay	Central pay models; International
10	F8697502	Control Panel Assembly	
11	F8659301	Door Bezel	
12	F8609701	Access Panel Retaining Spacer	
13	F8552702	Access Panel	
14	F8589501	Screw	
15	56079	Panel Locator	
16	70030501	Expansion Clip	
17	F8117601	Screw	
18	F8685902	Front Panel	Card ready models
	F8685904	Front Panel	Central pay models
19	M412763	Rivet	
20	70646001	Overlay	Secondary Card ready models; Gray
	70646002	Overlay	Secondary Central pay models; Gray
	70646101	Overlay	Secondary Card ready models; Green
	70646102	Overlay	Secondary Central pay models; Green

# Front Panels and Control Panel - Card Ready and Central Pay Models - Design 7

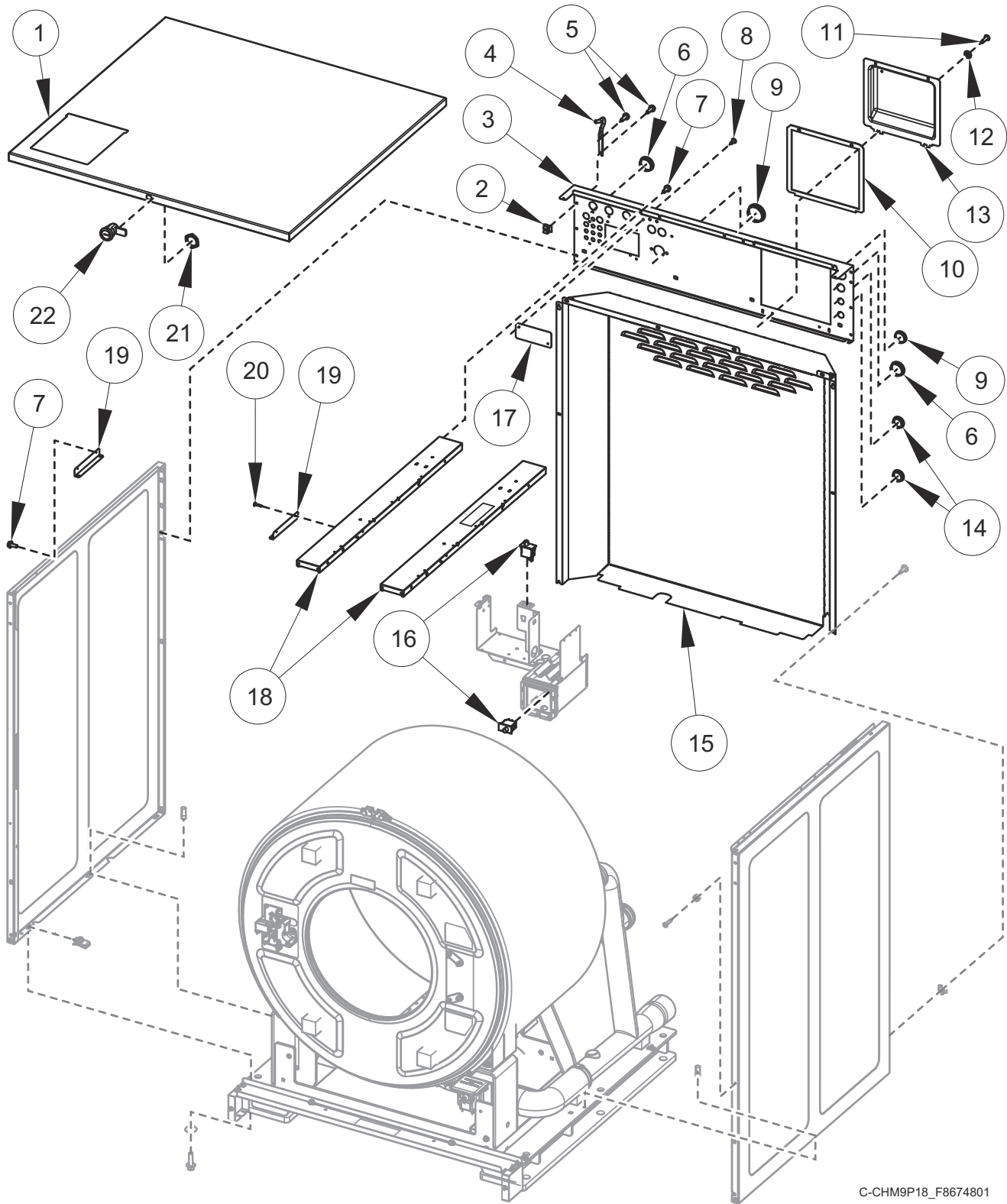


C-CHM9P16\_F8674801

## Front Panels and Control Panel - Card Ready and Central Pay Models - Design 7

REF	PART NO.	DESCRIPTION	COMMENTS
1	F190701	Grease Fitting	
2	F8613501	Label	Grease instruction notice
3	70292801	Washer	
4	F422114	Air Coupling	
	F8245713	Hose	
5	F8201001	Top Cover Latch	
6	F431215	Pop Rivet	
7	70412601	Pop Rivet	
8	F8201101	Washer	
9	F8591403	Overlay	80 pound card ready models
	F8591503	Overlay	100 pound card ready models
	F8594303	Overlay	80 pound card ready models; Citron
	F8594403	Overlay	100 pound card ready models; Citron
	F8594903	Overlay	80 pound card ready models; Cityscape
	F8595003	Overlay	100 pound card ready models; Cityscape
	F8727903	Overlay	80 pound card ready models; International
	F8728003	Overlay	100 pound card ready models; International
	F8727905	Overlay	80 pound central pay models; International
	F8728005	Overlay	100 pound central pay models; International
10	F8697502	Control Panel Assembly	
11	F8659301	Door Bezel	
12	F8609701	Access Panel Retaining Spacer	
13	F8552702	Access Panel	
14	F8589501	Screw	
15	56079	Panel Locator	
16	70030501	Expansion Clip	
17	F8117601	Screw	
18	F8552804	Front Panel	
19	M412763	Rivet	
20	70646001	Overlay	Secondary Card ready models; Gray
	70646002	Overlay	Secondary Central pay models; Gray
	70646101	Overlay	Secondary Card ready models; Green
	70646102	Overlay	Secondary Central pay models; Green

# Rear and Top Panels

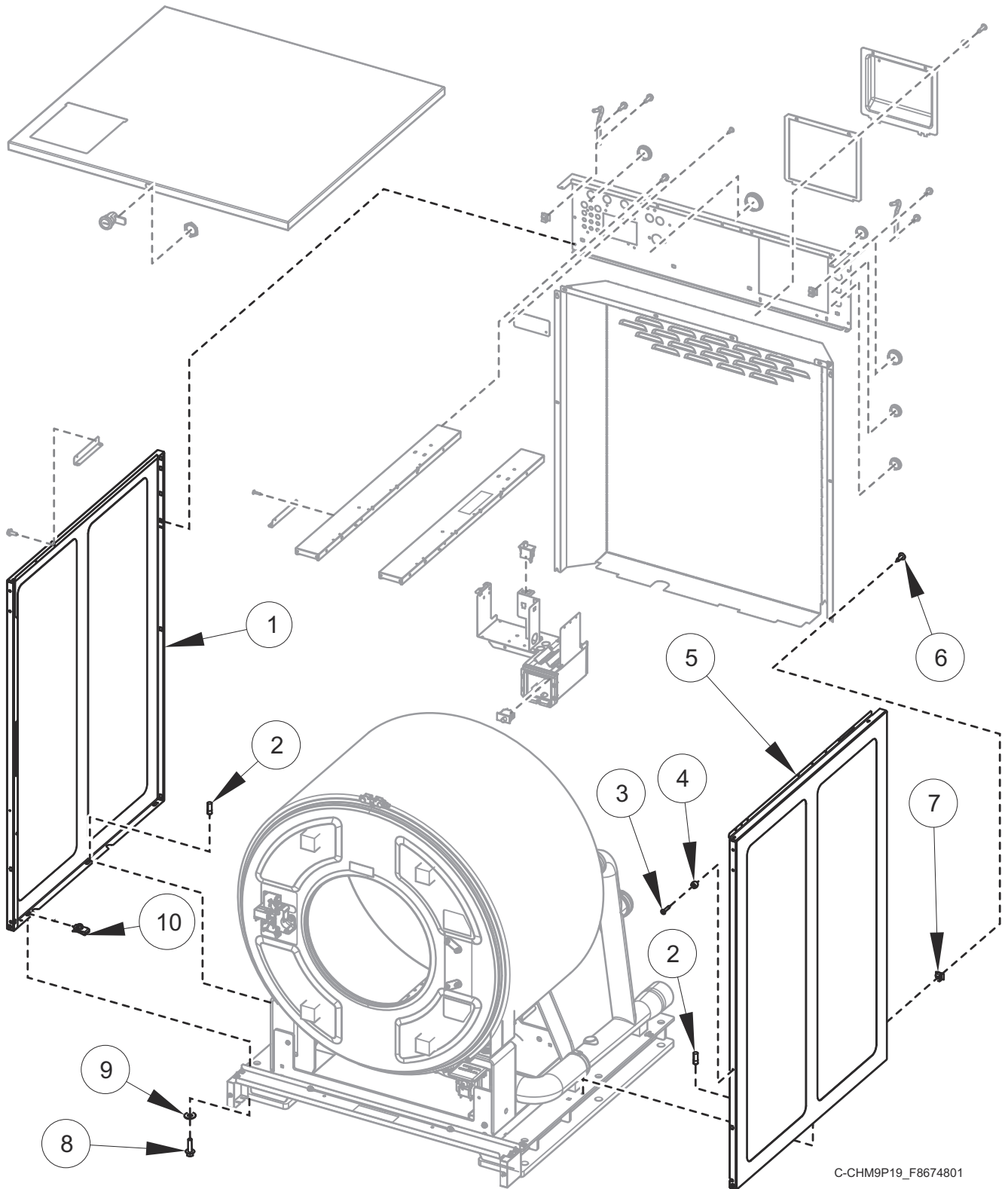


C-CHM9P18\_F8674801

## Rear and Top Panels

REF	PART NO.	DESCRIPTION	COMMENTS
1	F8553301	Top Cover	80 pound models
	F8553302	Top Cover	100 pound models
2	70030501	Expansion Clip	
3	F8553401	Valve Panel	
4	F8258601	Top Cover Hinge	
5	F8206901	Screw	
6	F8223901	Plug	
7	33562	Screw	
8	685847	Pop Rivet	
9	F8223801	Hole Plug	
10	F8542601	Gasket	
11	70412601	Pop Rivet	
12	804501	Washer	
13	F8518301	Terminal Tray Cover	
14	M400985	Plug	
15	F8555301	Rear Panel	
16	70413301	Pushbutton Switch	
17	F8586301	Fill Cover	
18	F8556901	Cabinet Brace	80 pound models
	F8556902	Cabinet Brace	100 pound models
19	F8525701	Dispenser Bracket	
20	F431215	Pop Rivet	
21	44088801	Nut	
22	44089303P	Panel Lock	
	70155603	Key	

# Side Panels



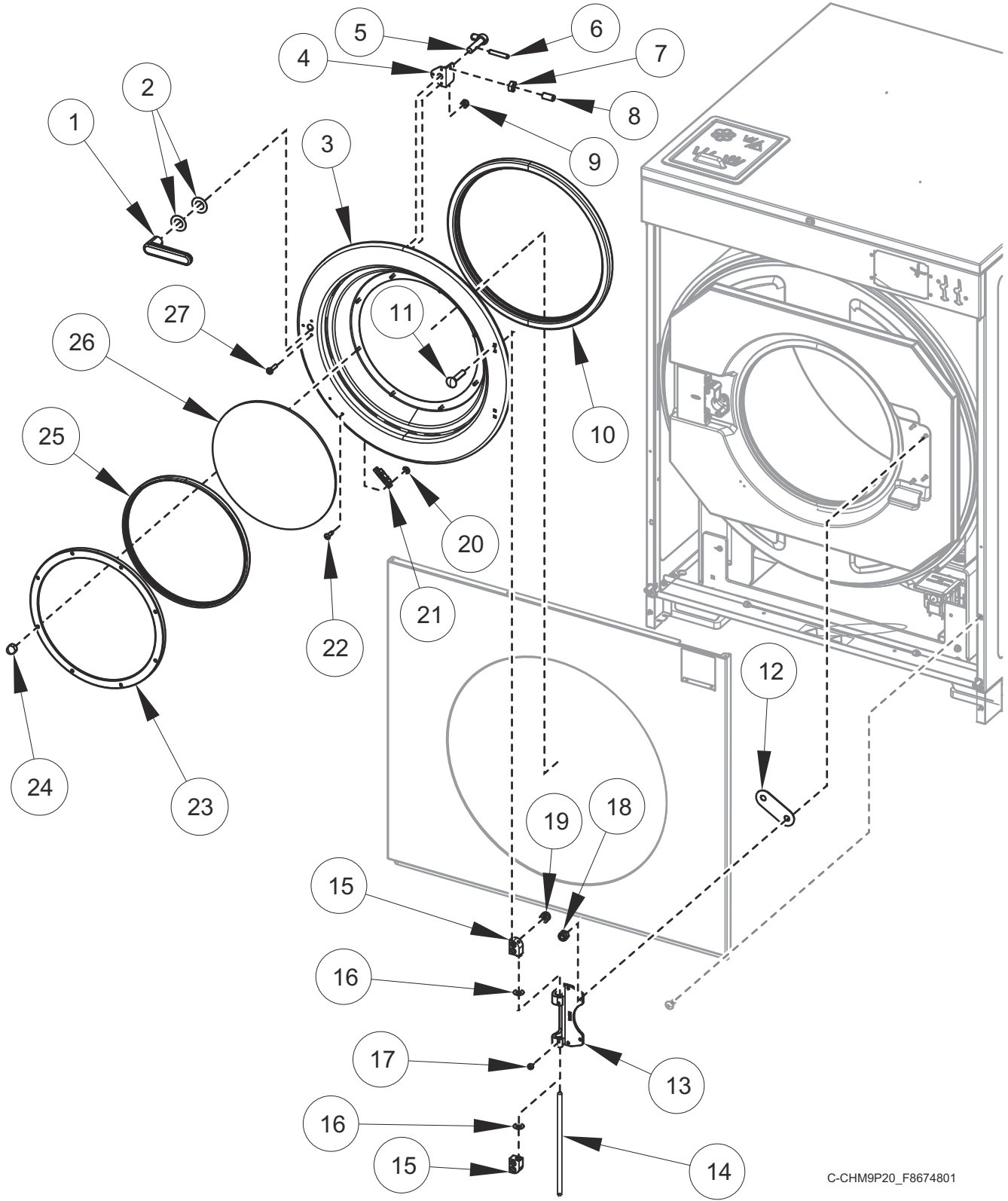
C-CHM9P19\_F8674801

## Side Panels

REF	PART NO.	DESCRIPTION	COMMENTS
1	F8553002	Side Panel	80 pound models; Left; Stainless steel
	F8553102	Side Panel	100 pound models; Left; Stainless steel
2	F8502101	Pin	
3	M412763	Rivet	
4	56079	Panel Locator	
5	F8553001	Side Panel	80 pound models; Right; Stainless steel
	F8553101	Side Panel	100 pound models; Right; Stainless steel
6	F8117601	Screw	
7	70030501	Expansion Clip	
8	202175	Screw	
9	M405535	Washer	
10	70030401	Nut	

# Door (Drawing 1 of 2)

Models through serial no. 2208025605



C-CHM9P20\_F8674801

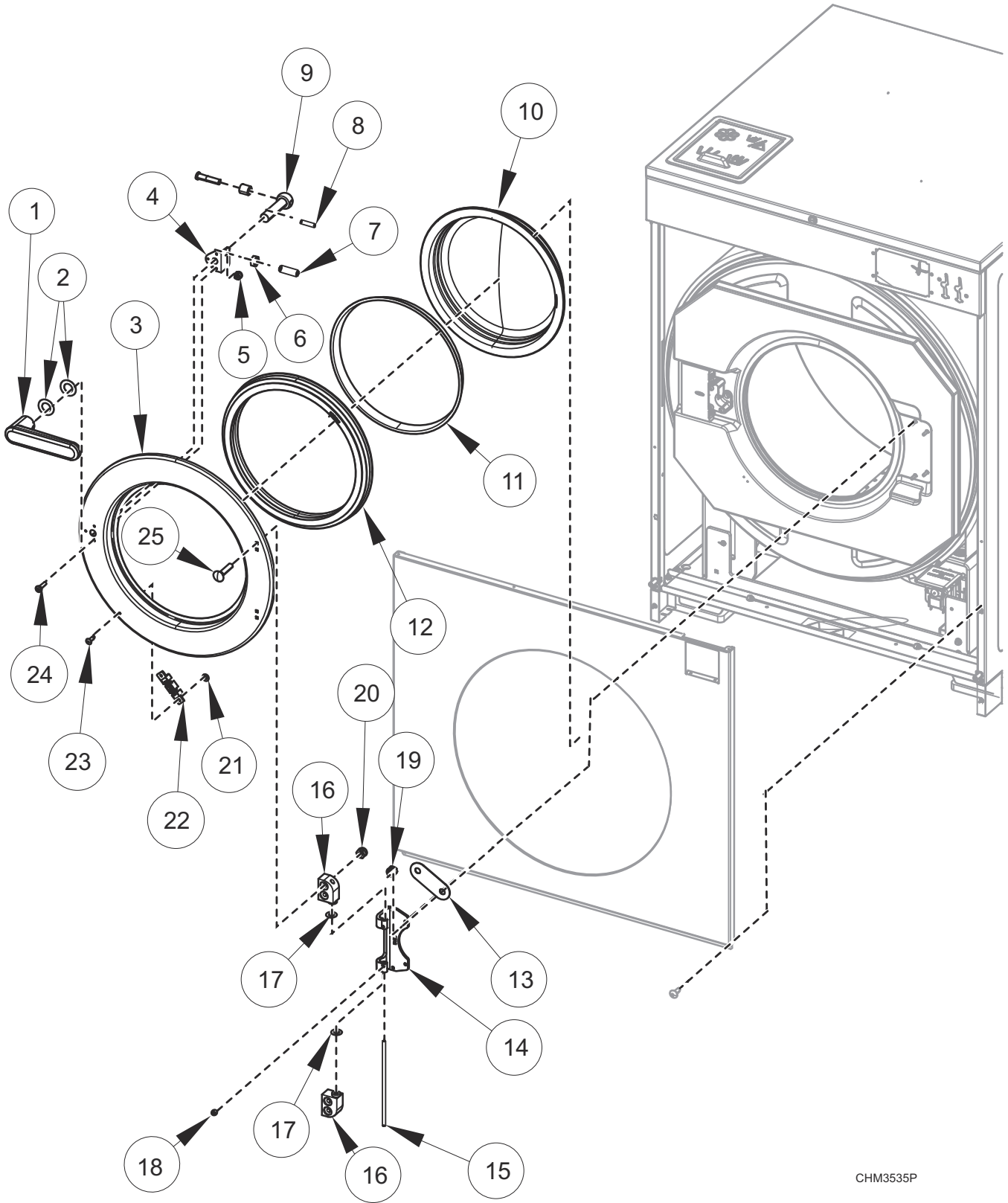


## Door (Drawing 1 of 2)

REF	PART NO.	DESCRIPTION	COMMENTS
	F8505102	Door Assembly	Includes items 1-11, 13-15 and 20-27
	F8505105	Door Assembly	Chrome; Includes items 1-11, 13-15 and 20-27
	F8505112	Door Assembly	Chrome and green; Includes items 1-11, 13-15 and 20-27
	F8505111	Door Assembly	Green; Includes items 1-11, 13-15 and 20-27
<b>1</b>	F8544701	Door Handle	
<b>2</b>	F431916	Washer	
<b>3</b>	F8505001	Door	
	F8508801	Door	Chrome
<b>4</b>	F8567501	Door Handle Spacer Kit	
<b>5</b>	F8221403	Door Latch Arm Assembly	Includes latch arm shaft, latch arm support and sleeve
<b>6</b>	F431222	Spring Pin	
<b>7</b>	F431041	Nut	
<b>8</b>	F430532	Screw	
<b>9</b>	F430232	Nut	
<b>10</b>	F8440801P	Door Gasket	Design 4
	F8636501	Door Gasket	Design 6; Black
<b>11</b>	F430974	Bolt	
	F8508101	Bolt	Chrome
<b>12</b>	F200131000P	Door Hinge Shim Kit	
<b>13</b>	F190216P	Door Hinge	
<b>14</b>	F602813-3	Rod	
<b>15</b>	F150271	Door Mount	
<b>16</b>	F431929	Washer	Non-ferrous
	F431147	Washer	
<b>17</b>	F430536	Screw	
<b>18</b>	C001236	Nut	
<b>19</b>	F430215	Nut	
<b>20</b>	F431133	Washer	
<b>21</b>	F8390801	Magnet	
<b>22</b>	F431223	Pop Rivet	
<b>23</b>	F8504903	Door Glass Retainer	
	F8504902	Door Glass Retainer	Chrome
<b>24</b>	F8549401	Nut	
<b>25</b>	F8499904	Door Glass Gasket	
<b>26</b>	F8342001	Door Glass	Design 4
	F8342002	Door Glass	Design 4; Green
	535439P	Door Glass	Design 6
<b>27</b>	F8535501	Screw	

# Door (Drawing 2 of 2)

Models starting serial no. 2208025605

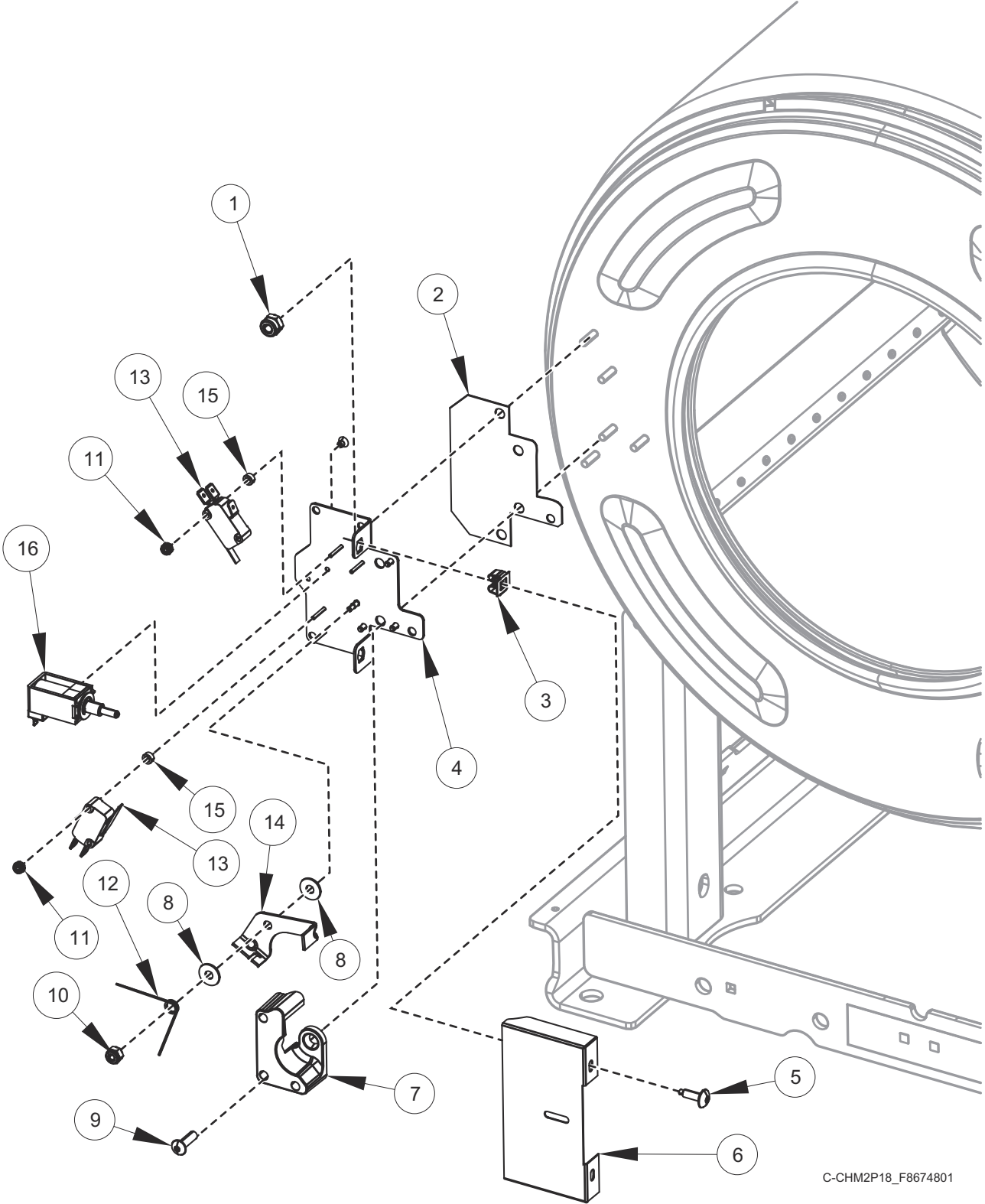


CHM3535P

## Door (Drawing 2 of 2)

REF	PART NO.	DESCRIPTION	COMMENTS
	F8698703	Door Assembly	Gray; Includes items 1-11, 13-15 and 20-27
	F8698704	Door Assembly	Gray plated; Includes items 1-11, 13-15 and 20-27
	F8698705	Door Assembly	Green; Includes items 1-11, 13-15 and 20-27
	F8698706	Door Assembly	Green plated; Includes items 1-11, 13-15 and 20-27
<b>1</b>	F8544701	Door Handle	
<b>2</b>	F431916	Washer	
<b>3</b>	F8687102	Door	
	F8687105	Door	Chrome
<b>4</b>	F8567501	Door Handle Spacer Kit	
<b>5</b>	F430232	Nut	
<b>6</b>	F431041	Nut	
<b>7</b>	F430532	Screw	
<b>8</b>	F431222	Spring Pin	
<b>9</b>	F8221403	Door Latch Arm Assembly	Includes latch arm shaft, latch arm support and sleeve
<b>10</b>	535439P	Door Glass	
<b>11</b>	F8583207	Door Glass Trim	
<b>12</b>	F8636501	Door Gasket	
<b>13</b>	F200131000P	Door Hinge Shim Kit	
<b>14</b>	F190216P	Door Hinge	
<b>15</b>	F602813-3	Rod	
<b>16</b>	F150271	Door Mount	
<b>17</b>	F431929	Washer	Non-ferrous
	F431147	Washer	
<b>18</b>	F430536	Screw	
<b>19</b>	C001236	Nut	
<b>20</b>	F430215	Nut	
<b>21</b>	F431133	Washer	
<b>22</b>	F8390801	Magnet	
<b>23</b>	F431223	Pop Rivet	
<b>24</b>	F8535501	Screw	
<b>25</b>	F430974	Bolt	
	F8508101	Bolt	Chrome

# Door Lock

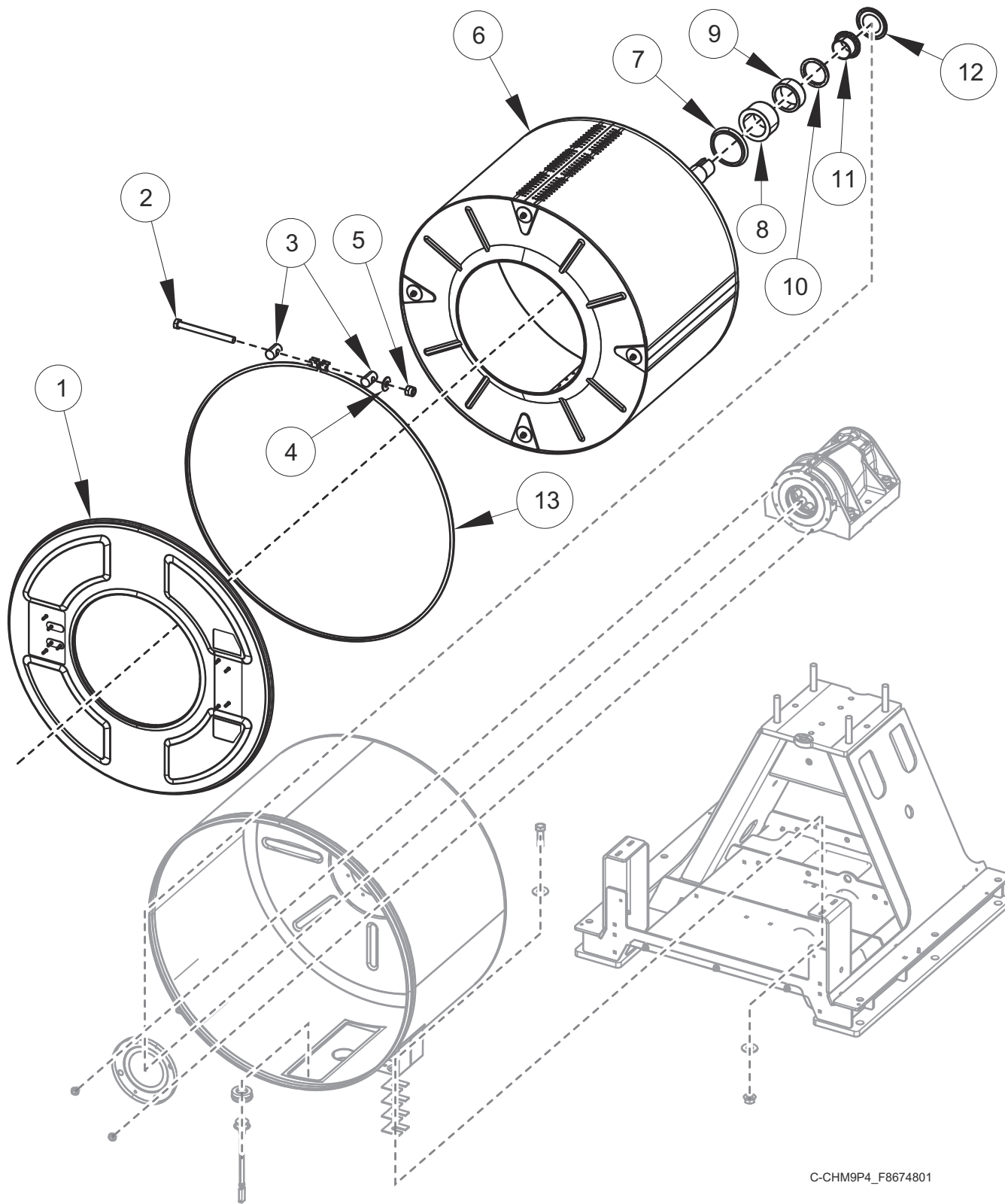


C-CHM2P18\_F8674801

# Door Lock

REF	PART NO.	DESCRIPTION	COMMENTS
	F8632401	Door Lock Assembly	Includes items 1-16 and F320200 Door Lock Splash
	F8520202	Door Lock Harness	
	F8066804	Reed Switch Assembly	
<b>1</b>	F431024	Nut	
<b>2</b>	F8344401	Door Lock Plate Shim	
<b>3</b>	70030501	Expansion Clip	
<b>4</b>	F8223202	Door Lock Plate Assembly	
<b>5</b>	F8117601	Screw	
<b>6</b>	F8245001	Door Lock Cover	
<b>7</b>	F8344501	Door Lock Catch	
<b>8</b>	F8193101	Washer	
<b>9</b>	F8270701	Bolt	
<b>10</b>	F430232	Nut	
<b>12</b>	F8070301	Torsion/Door Lock Spring	
<b>13</b>	F200203200	Door Lock Microswitch	
<b>14</b>	F8223401	Door Lock Switch Lever	
<b>15</b>	F431901	Spacer	
<b>16</b>	F977P3	Door Lock Solenoid Replacement Kit	

# Shell Front and Basket

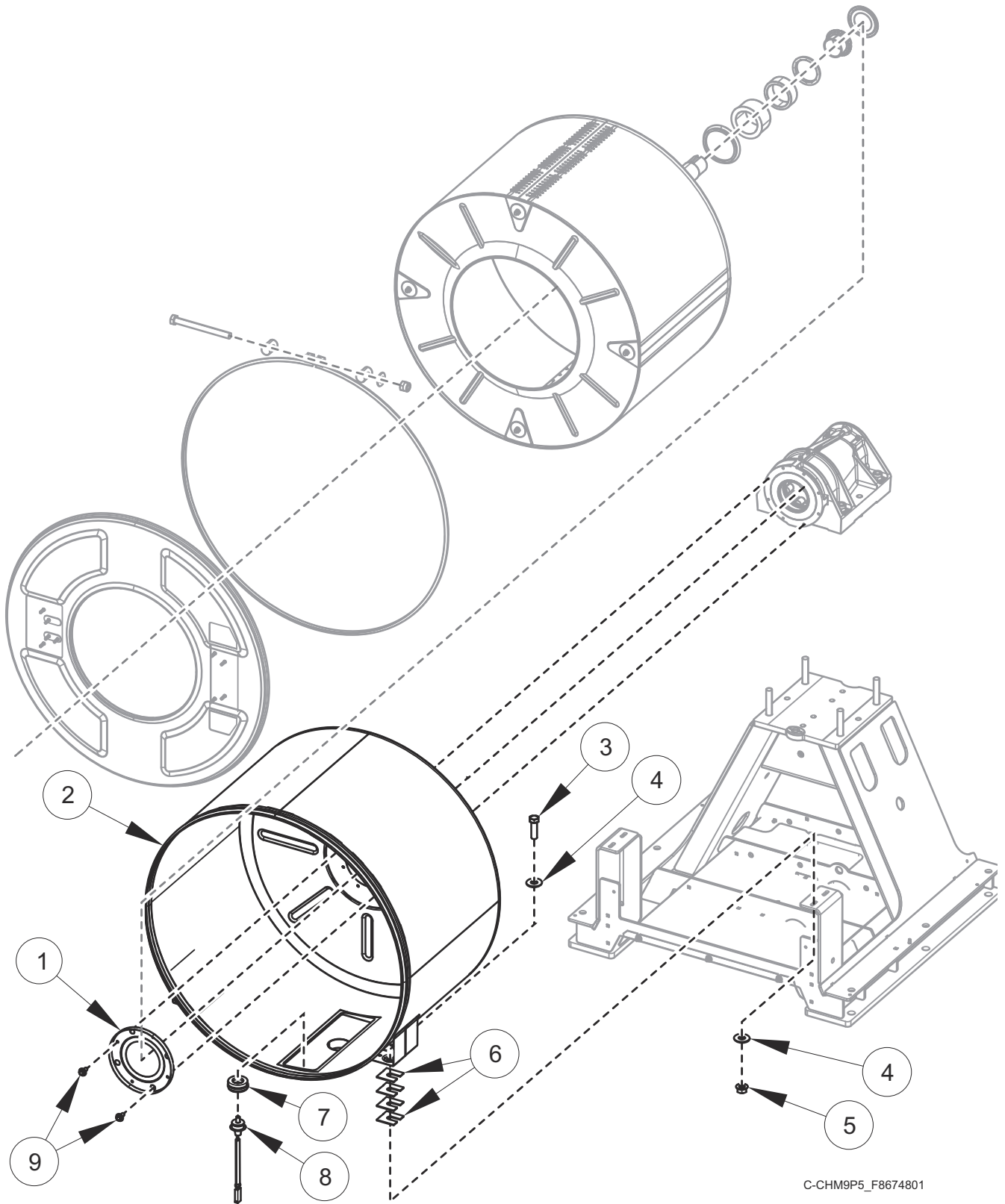


C-CHM9P4\_F8674801

## Shell Front and Basket

REF	PART NO.	DESCRIPTION	COMMENTS
1	F8222701	Shell Front	80 pound models
	F8229801	Shell Front Assembly	100 pound models
2	F8673701	Screw	
3	F8302701	Pin	
4	M400080	Washer	
5	F430218	Nut	
6	F8516901	Basket Assembly	80 pound models
	F8516904	Basket	80 pound models; Rain; Viton
	F8516903	Basket Assembly	80 pound models; Viton
	F8516902	Basket	80 pound models; Rain
	F8517003	Basket Assembly	100 pound models; Viton
	F8517004	Basket	100 pound models; Rain; Viton
	F8517001	Basket Assembly	100 pound models
	F8517002	Basket	100 pound models; Rain
7	F8337101	Excluder Seal	Standard
	F8527701	Excluder Seal	Viton
8	F8343911	Seal Sleeve	
9	F8280504	Bearing	
10	F8464901	Insertion Sleeve	
11	F8382501	Sleeve Adapter	
12	F8379301	Seal	
13	F8537808	Shell Band Kit	

# Shell



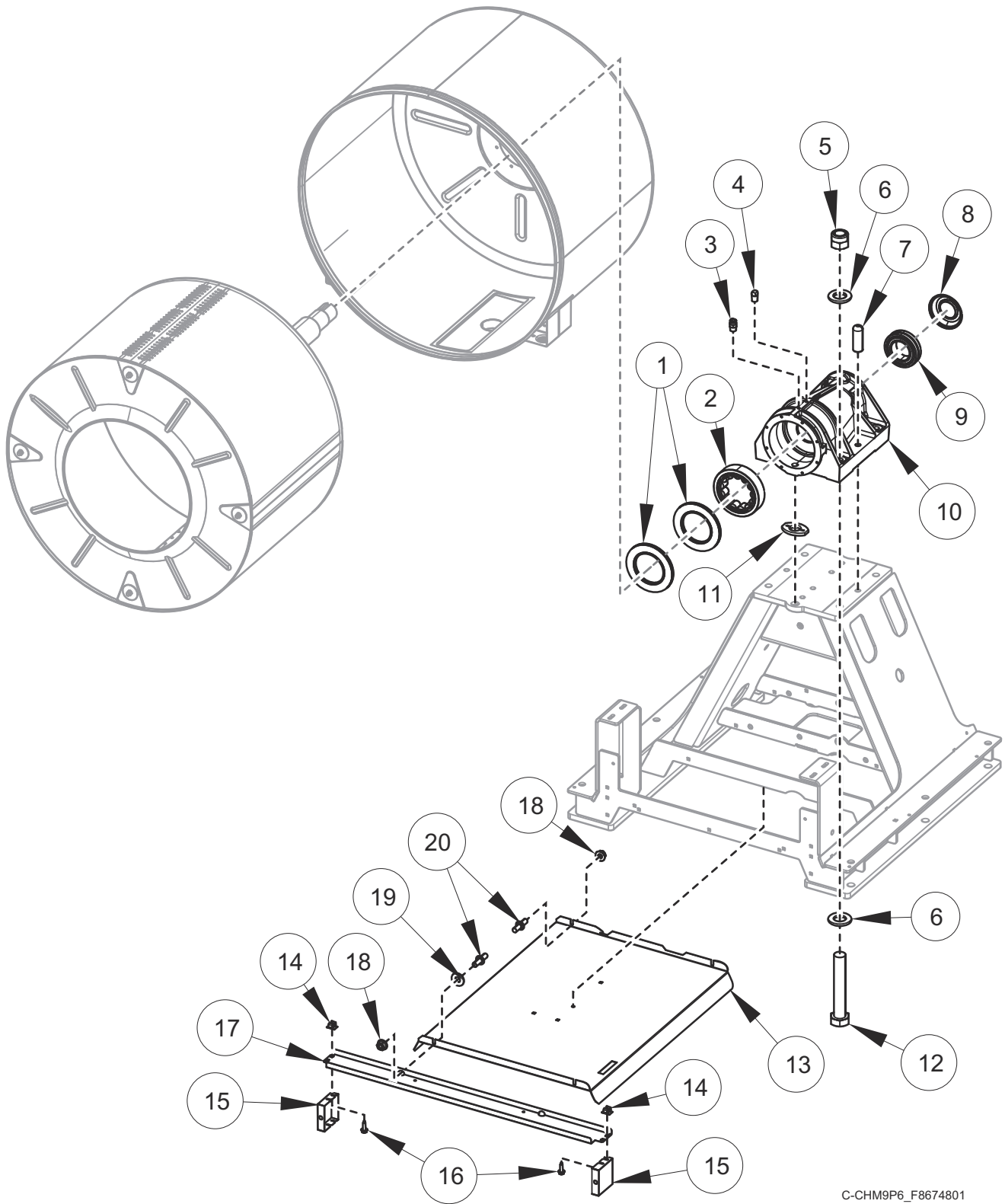
C-CHM9P5\_F8674801



# Shell

REF	PART NO.	DESCRIPTION	COMMENTS
1	F8550101	Seal Wear Plate	
2	F8543802	Shell	80 pound models; Electric and steam heat
	F8543902	Shell	100 pound models; Electric and steam heat
	F8543803	Shell	80 pound models
	F8543903	Shell	100 pound models
3	F430900	Screw	
4	M400081	Washer	
5	F430218	Nut	
6	F8402701	Washer	
7	2251000400	Temperature Probe Grommet	
8	F8538801	Thermistor	
9	F8442702	Screw	

# Bearing Housing and Frame Shield

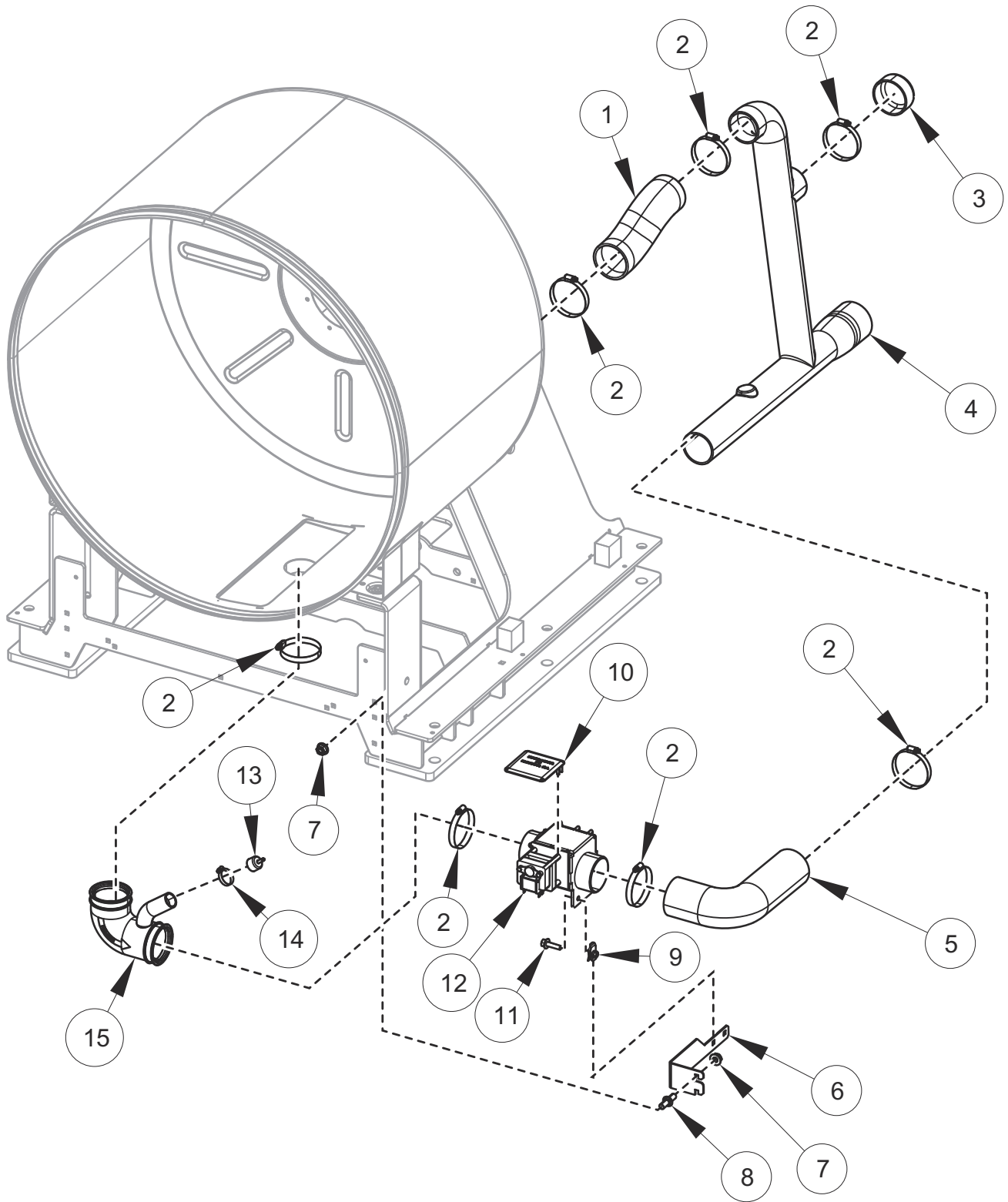


C-CHM9P6\_F8674801

## Bearing Housing and Frame Shield

REF	PART NO.	DESCRIPTION	COMMENTS
	F8474601	Bearing Housing Assembly	Includes items 1-4 and 8; Standard
	F8474602	Bearing Housing Assembly	Includes items 1-4 and 8; Viton
	F8503801	Bearings and Seals Kit	Standard NBR; Includes items 1, 2, 5-9, 12, F8337101 Excluder Seal, F8502305 Shell Band Gasket and F410102 Clear Sealant
	F8503701	Bearings and Seals Kit	Viton; Includes items 1, 2, 5-9, 12, F8527701 Excluder Seal, F8502305 Shell Band Gasket and F410102 Clear Sealant
<b>1</b>	F8203807	Radial Seal	Standard
	F8203808	Radial Seal	Viton
<b>2</b>	F8280504	Bearing	
<b>3</b>	J1408004	Connector	
<b>4</b>	M403052	Plug	
<b>5</b>	F430248	Nut	
<b>6</b>	F8171201	Washer	
<b>7</b>	F8406502	Dowel Pin	
<b>8</b>	F8528501	Radial Lip Seal	
<b>9</b>	F8375401	Bearing	
<b>10</b>	F8465001	Bearing Housing	
<b>11</b>	F8452701	Seal Scupper Pad	
<b>12</b>	F8313701	Screw	
<b>13</b>	F8509501	Frame Shield	
<b>14</b>	70030501	Expansion Clip	
<b>15</b>	F8557401	False Side Panel	80 pound models
	F8557402	False Side Panel	100 pound models
<b>16</b>	F8206901	Screw	
<b>17</b>	F8577901	Frame Shield Extension	80 pound models
	F8577902	Frame Shield Extension	100 pound models
<b>18</b>	44087201	Nut	
<b>19</b>	M400080	Washer	
<b>20</b>	70334702	Stud	

# Drain Plumbing

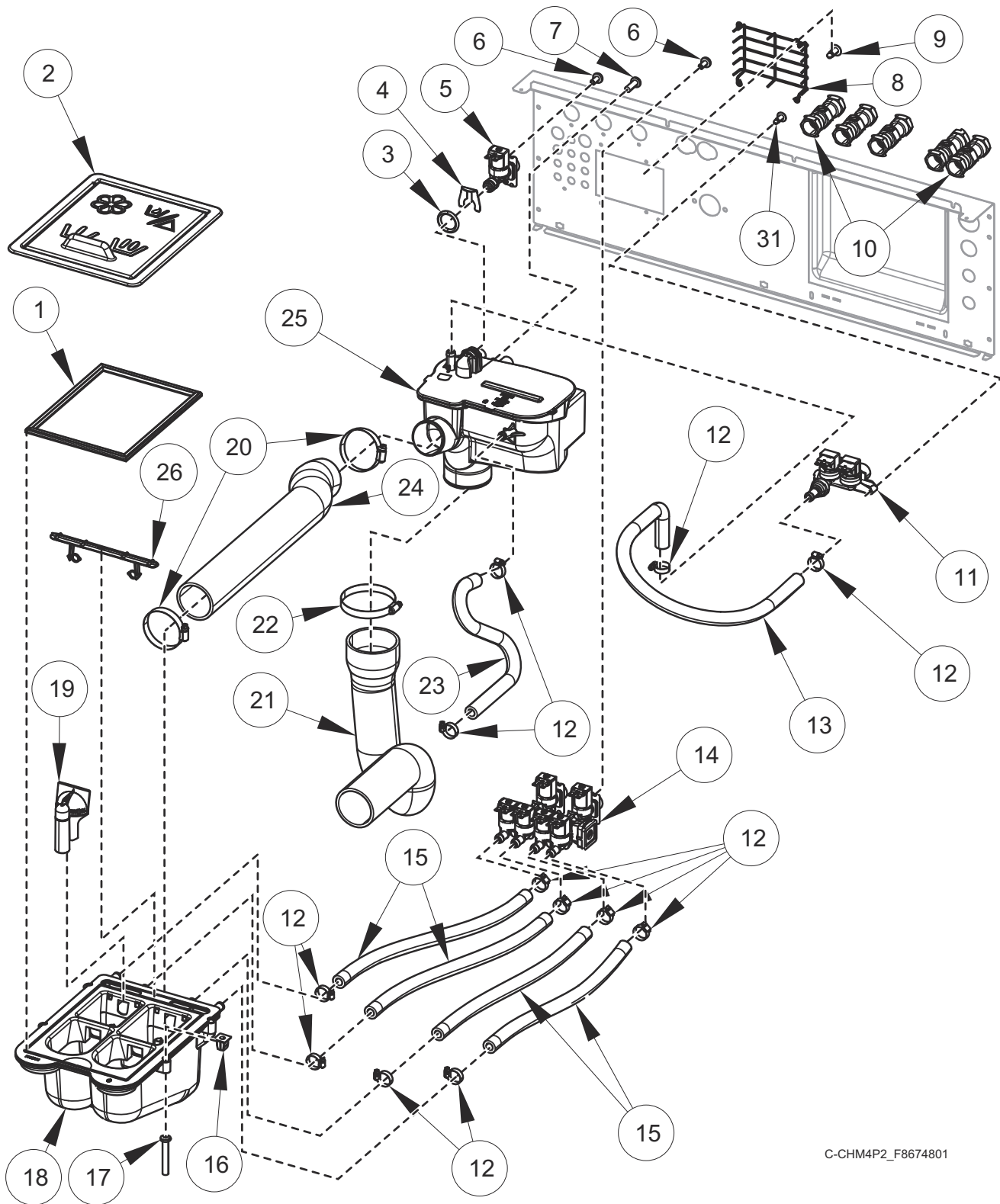


C-CHM9P1\_F8674801

# Drain Plumbing

REF	PART NO.	DESCRIPTION	COMMENTS
	F8520002	Drain Valve Harness	
	F200165100	Drain Hose	
<b>1</b>	F0150488-00	Overflow Hose	
<b>2</b>	F200201	Hose Clamp	
<b>3</b>	F0150502-00	Plug	
<b>4</b>	F8386807	Molded Drain	
<b>5</b>	C000412	Water Reuse Hose	
<b>6</b>	F8543601	Drain Valve Bracket	
<b>7</b>	44087201	Nut	
<b>8</b>	70334702	Stud	
<b>9</b>	70030401	Nut	
<b>10</b>	F200133600	Drain Valve Cover	
<b>11</b>	F8117601	Screw	
<b>12</b>	F8406308	Drain Valve	3 inch; 120 Volt; Right; NO
	F8577201	Drain Valve Kit	3 inch; 230 Volt; Right; NO; Includes item 10
	F200166302	Drain Valve Kit	3 inch; 120 Volt; Left; NO; Includes item 10
	F200166402	Drain Valve Kit	3 inch; 230 Volt; Left; NO; Includes item 10
<b>13</b>	F8579301	Pressure Cap	
<b>14</b>	36802	Hose Clamp	
<b>15</b>	F8542001	Drain Hose	
	F8542201	Drain Hose	Steam and electric heat

# Fill Plumbing

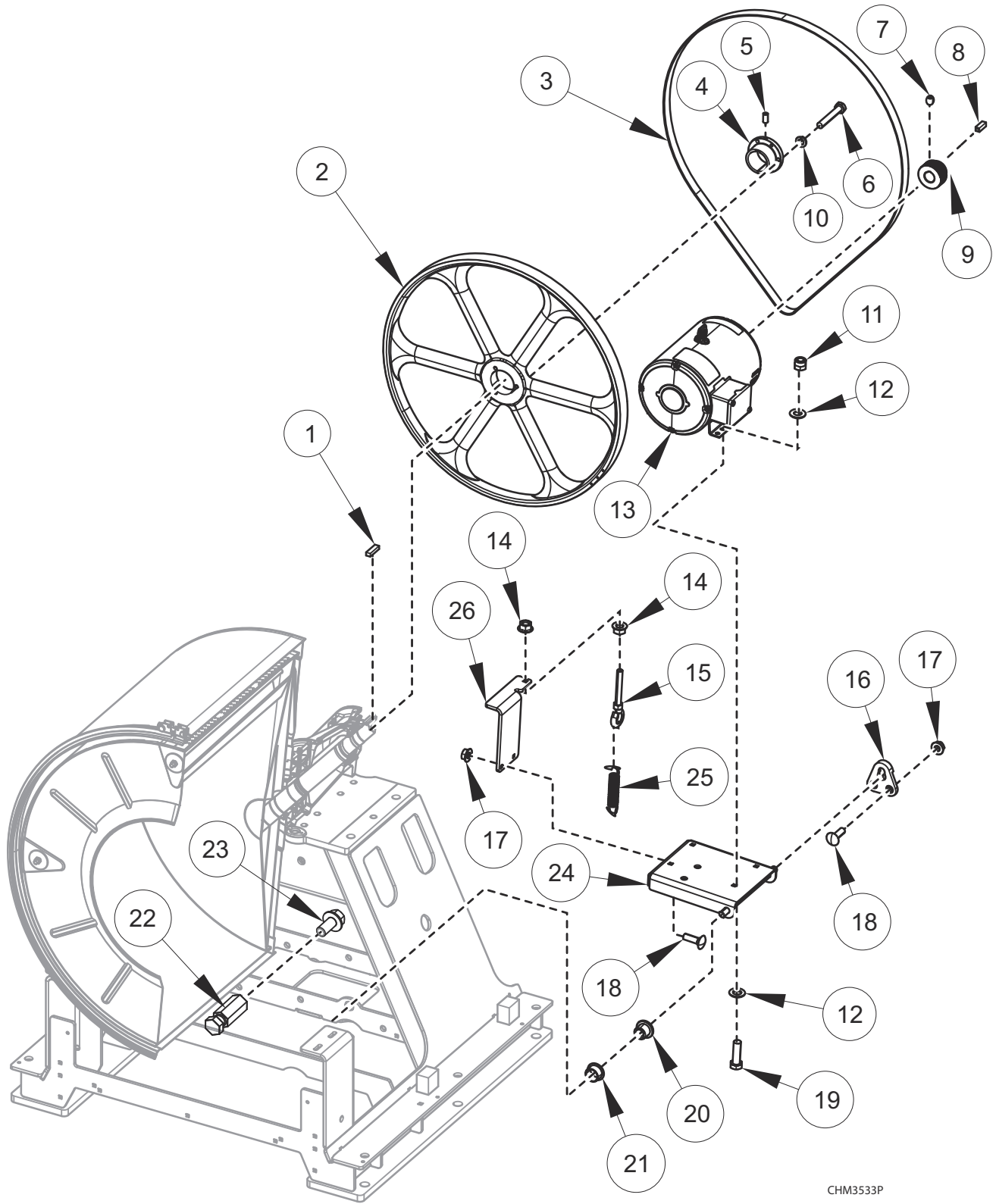


C-CHM4P2\_F8674801

# Fill Plumbing

REF	PART NO.	DESCRIPTION	COMMENTS
	F8047403	Dispenser	Includes Items 18, 19 and 26
	F8520102	Fill Valve Harness	
	223/00243/00	Y-Connector	Metric
	F8544601	Fill Hose Kit	WRAS; Includes item 11 and F8665602 Water Hose Kit
	F200164	Water Hose	Y fitting; 2 required; Standard
	F200166	Water Hose	Metric thread
	44069101	Hose Fitting	3/4 inch; Standard
1	B12568601	Dispenser Gasket	
2	F8563203	Dispenser Cover	Gray; Icons and text
	F8563201	Dispenser Cover	Gray; Icons
3	F8569101	O-Ring	
4	F8566801	Clip	
5	F8565201	Valve	3/4 inch; Standard
	F8565202	Valve	3/4 inch; Standard
6	F8230301	Screw	
7	800548	Screw	
8	F8589601	Vacuum Breaker Guard	
9	70058501	Pop Rivet	
10	F8301201	Double Check Valve	WRAS
11	70519801	Mixing Valve	Standard
	70519802	Mixing Valve	Metric
12	36801	Hose Clamp	
13	F8598801	Auxiliary Fill Hose	
14	F8529701	Manifold Valve	Standard
	F8529702P	Manifold Valve	Metric
15	F8232012	Hose	
16	F0431807-00	Nut	
17	F8535601	Screw	
18	F8437902	Dispenser Weldment	
19	F8047901	Siphon Cover	
20	F200213	Hose Clamp	
21	F8529605	P-Trap Hose	
22	F200201	Hose Clamp	
23	F8616405	Rear Vent Hose	
24	F8529405	Supply Vacuum Hose	80 pound models
	F8529406	Supply Vacuum Hose	100 pound models
25	F8517503	Vacuum Breaker Assembly	With inlet and fill
	F8517502	Vacuum Breaker Assembly	With inlet; WRAS
	F8517501	Vacuum Breaker Assembly	With fill
	F8517504	Vacuum Breaker Assembly	WRAS
26	F8047801	Access Cover	

# Motor, Pulley and Belt



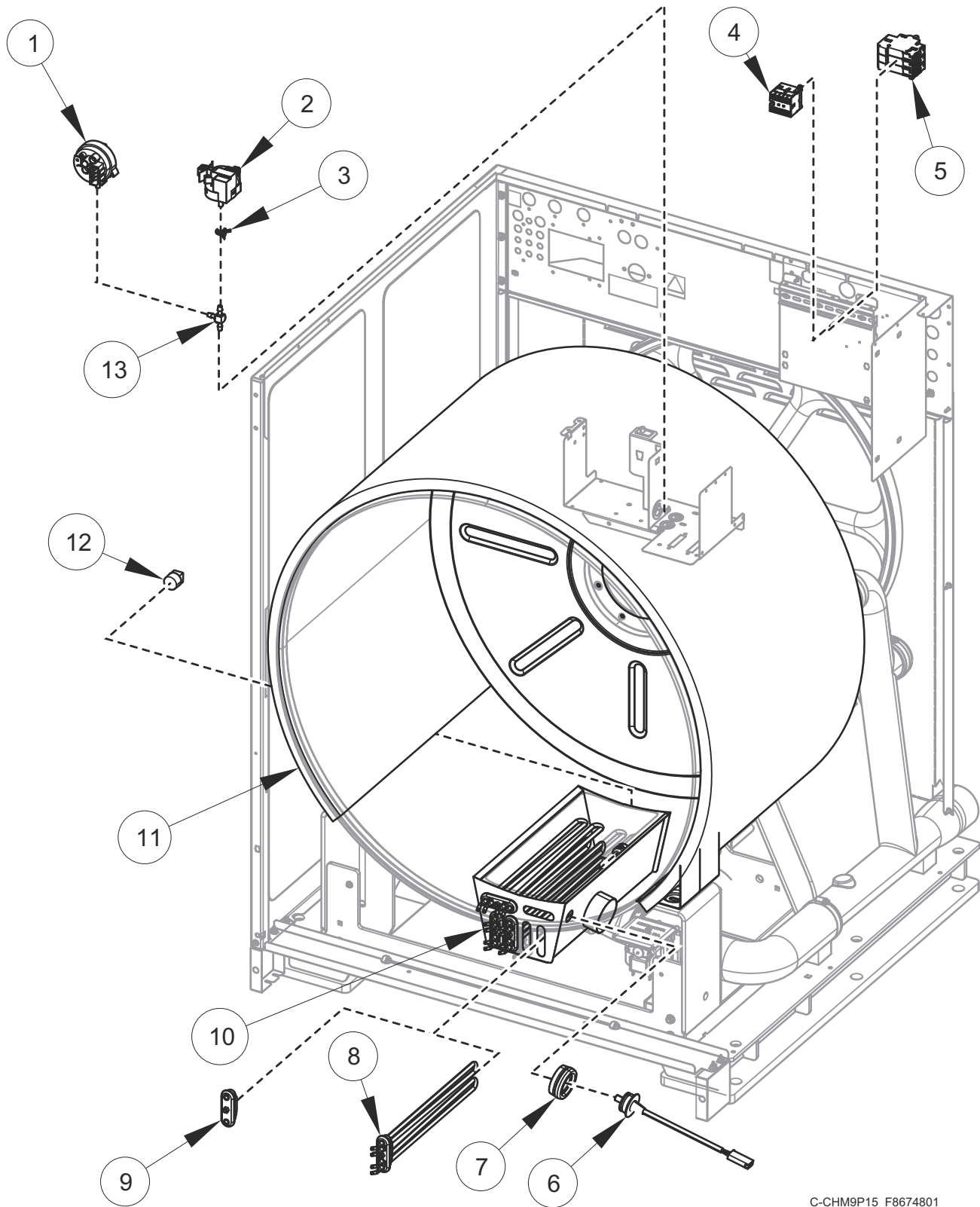
CHM3533P



## Motor, Pulley and Belt

REF	PART NO.	DESCRIPTION	COMMENTS
	F8519005	Motor Harness	5 hp
	F8519010	Motor Harness	EMI filter
	F8748601	Spring Stud Kit	
1	44049002	Key	
2	F8381801	Sheave Pulley	
3	F8382819	Belt	80 pound models; Poly-V; 955J12
	70276205P	Belt	100 pound models
4	F8649401	Flanged Bushing	
5	44048902	Screw	
6	44079203	Screw	
7	M400077	Screw	
8	H8752006H	Key	
9	F8362601	Motor Pulley	80 pound models
	F8362602	Motor Pulley	100 pound models
10	M400013	Washer	
11	F8387601	Nut	
12	F8366601	Washer	
13	F8510001	Motor	5 hp
14	44087301	Nut	
15	F8319503	Eye Bolt	
16	F8542101	Drain Hose	
17	44087201	Nut	
18	F8402801	Bolt	
19	800461	Screw	
20	F8535202	Flanged Isolator	
21	F8333302	Flanged Bushing	
22	F8634701	Stud	
23	M405503	Bolt	
24	F8441805	Motor Bracket Weldment	
25	F8440701	Extension Spring	
26	F8342201	Motor Spring Bracket	

# Electric Heating

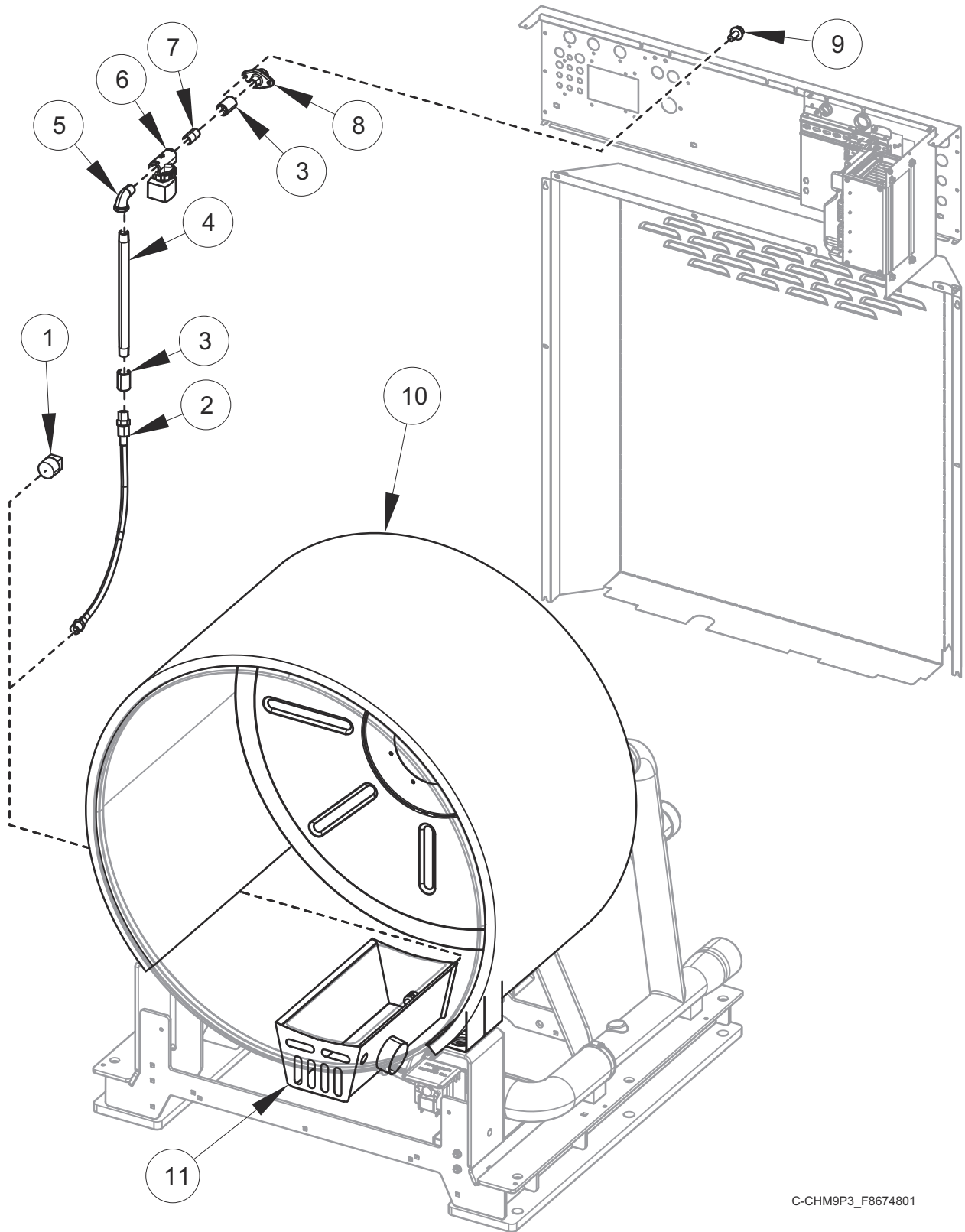


C-CHM9P15\_F8674801

# Electric Heating

REF	PART NO.	DESCRIPTION	COMMENTS
	F8584802	Electric Heat Element Harness	6 element and ground
	F8619101	Power Harness	
	F8528003	Harness	
	F8564004	Harness	N, P and Q voltage
	F8598302	Harness	Temperature
	F8568901	Jumper	N and P voltage
	F8583501	Jumper	N, P and Q voltage
<b>1</b>	F8609101	Water Level Pressure Switch	
<b>2</b>	39282	Hose Clamp	
<b>3</b>	F8623401	Pressure Sensor	
<b>4</b>	70482601	Contactora	
<b>5</b>	70488101	Circuit Breaker	
<b>6</b>	F8538801	Thermistor	
<b>7</b>	2251000400	Temperature Probe Grommet	
<b>8</b>	F8568301	Heating Element	4200W; 230 Volt
<b>9</b>	F360202	Heating Element Plug	
<b>10</b>	F8543802	Shell	80 pound models
	F8543902	Shell	100 pound models
<b>11</b>	F8209105	Shell Insulation	
<b>12</b>	F420408	Plug	
<b>13</b>	203464	Barbed Tee	

# Steam Heating

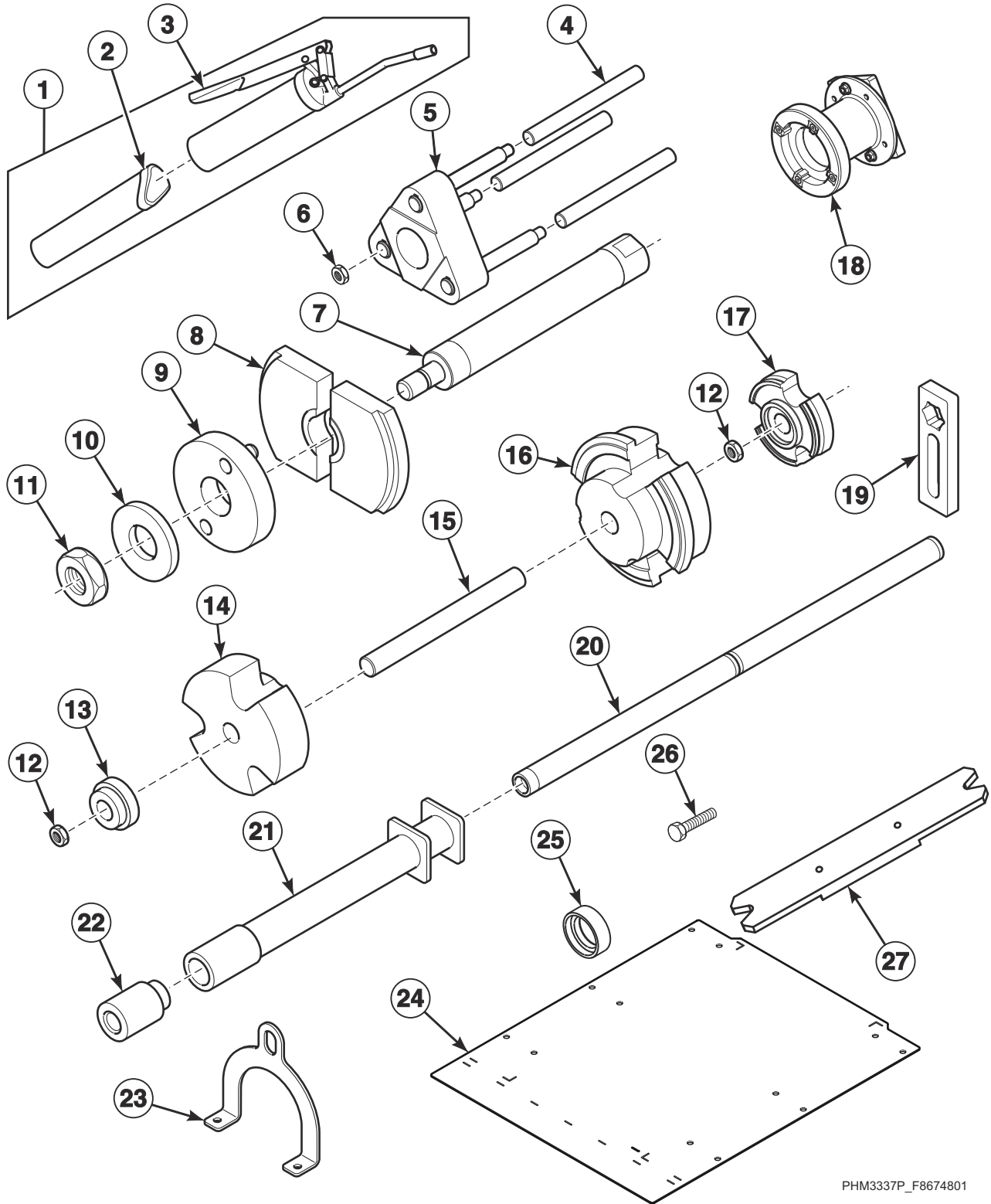


C-CHM9P3\_F8674801

# Steam Heating

REF	PART NO.	DESCRIPTION	COMMENTS
	F8662601	Steam Kit	Includes Items 1-9, 901403 Nipple, F270307 Steam Filter, F8520704 Harness, insulation and labels
	F270307	Steam Filter	1/2 inch
	F8520704	Harness	Steam valve
	F8564004	Harness	
	F8233702	Insulation	Steam pipe; 6 inches
	F8233704	Insulation	Steam pipe; 12 inches
	F8233708	Pipe Insulation	Steam pipe; 20 inches
	F410300	Pipe Insulation	Steam pipe; 36 inches
	F8379505	Valve Rebuild Kit	
<b>1</b>	F420408	Plug	
<b>2</b>	F200197	Steam Hose	
<b>3</b>	F8116301	Coupling	
<b>4</b>	70214101	Pipe Nipple	
<b>5</b>	H86070034	Street Elbow	
<b>6</b>	F8322805	Valve	
	F8515001	Coil	
<b>7</b>	70435601	Pipe Nipple	
<b>8</b>	F8362701	Coupling	
<b>9</b>	70321501	Screw	
<b>10</b>	F8209105	Shell Insulation	
<b>11</b>	F8543802	Shell	80 pound models
	F8543902	Shell	100 pound models

# Special Tools and Kits



PHM3337P\_F8674801

## Special Tools and Kits

REF	PART NO.	DESCRIPTION	COMMENTS
	204454	Ferrite	EMI; HCK models
	1112P	Concrete Hardware Kit	
	203346	USB IR Interface Kit	
	F8599401	Bearing Seal Insertion and Removal Kit	Purchase; Includes items 4-21, 23, 25, 29, 70350503 Wing Nut and F8313702 Screw
	F8599401-1	Bearing Seal Insertion and Removal Kit	Rental; Includes items 4-21, 23, 25, 27, 70350503 Wing Nut and F8313702 Screw
<b>1</b>	F798700	Grease Gun Kit	Includes items 2 and 3
<b>2</b>	F210206P	Bearing Grease	
<b>3</b>	F210207P	Grease Gun	
<b>4</b>	F8599201	Rod	
<b>5</b>	F8560501	Shaft Support Assembly	
<b>6</b>	F8459101	Nut	
<b>7</b>	F8450401	Bearing Removal Shaft Assembly	
<b>8</b>	F8450601	Bearing Removal Plate	
<b>9</b>	F8455601	Bearing Removal Washer Assembly	
<b>10</b>	F8456101	Washer	
<b>11</b>	F8455801	Nut	
<b>12</b>	F8457701	Nut	
<b>13</b>	F8455701	Bearing Removal Plug	
<b>14</b>	F8515101	Bearing Seal Fixture	Front
<b>15</b>	F8452101	Threaded Rod	
<b>16</b>	F8515301	Seal Press Fixture	
<b>17</b>	F8515201	Bearing Seal Fixture	Rear
<b>18</b>	F8530201	Bearing Sleeve Assembly	
<b>19</b>	F8562801	One Sided Disassembly Fixture	
<b>20</b>	F8534101	Guide Rod Assembly	
<b>21</b>	F8490701	Hammer	
<b>22</b>	F8514401	Hammer Tool Adapter	
<b>23</b>	F8451501	Bearing Housing Lifting Fixture	
<b>24</b>	F8413101	Frame Template	
<b>25</b>	F8537502	Excluder Seal Fixture	
<b>26</b>	M400063	Screw	
<b>27</b>	F8634802	Clamp	





# Parts Index

## A

Access Cover	
F8047801 .....	61
Access Panel	
F8552702 .....	31, 33, 35, 37, 39, 41
Access Panel Retaining Spacer	
F8609701 .....	31, 33, 35, 37, 39, 41
Air Coupling	
F422114 .....	31, 33, 35, 37, 39, 41
App Pay Overlay Kit	
44374701 .....	9, 11, 15, 17, 19
Auxiliary Fill Hose	
F8598801 .....	61

## B

Barbed Tee	
203464 .....	9, 11, 65
Basket	
F8516901 .....	53
F8516902 .....	53
F8516904 .....	53
F8517002 .....	53
F8517004 .....	53
Basket Assembly	
F8516903 .....	53
F8517001 .....	53
F8517003 .....	53
Bearing	
F8280504 .....	53, 57
F8375401 .....	57
Bearing Grease	
F210206P .....	69
Bearing Housing	
F8465001 .....	57
Bearing Housing Assembly	
F8474601 .....	57
F8474602 .....	57
Bearing Housing Lifting Fixture	
F8451501 .....	69
Bearing Removal Plate	
F8450601 .....	69
Bearing Removal Plug	
F8455701 .....	69
Bearing Removal Shaft Assembly	
F8450401 .....	69
Bearing Removal Washer Assembly	
F8455601 .....	69
Bearing Seal Fixture	
F8515101 .....	69
F8515201 .....	69
Bearing Seal Insertion and Removal Kit	
F8599401 .....	69
F8599401-1 .....	69
Bearing Sleeve Assembly	
F8530201 .....	69
Bearings and Seals Kit	
F8503701 .....	57

F8503801 .....	57
Belt	
F8382819 .....	63
70276205P .....	63
Bolt	
F430974 .....	47, 49
F8270701 .....	51
F8402801 .....	63
F8508101 .....	47, 49
M405503 .....	63

## C

Cabinet Brace	
F8556901 .....	43
F8556902 .....	43
Card Plate Assembly	
F8201501 .....	11
Central Pay Harness	
44342801 .....	11
Central Pay Kit	
F8673202 .....	11
F8673204 .....	11
Chemical Injection Control	
804528 .....	27
Circuit Breaker	
70488101 .....	23, 25, 65
Clamp	
F8634802 .....	69
Clip	
F8566801 .....	61
Coil	
F8515001 .....	67
Coin Drawer Assembly	
F8182001 .....	21
Coin Drop	
38963P .....	15
39748 .....	15
70441601P .....	15
70441603 .....	17
Coin Drop Assembly	
201141 .....	15
210195 .....	17
210196 .....	17
38462P .....	15
38463 .....	15
38464P .....	15
38467 .....	17
38475 .....	15
38519 .....	17
70281102 .....	17
70283102 .....	17
70441602 .....	17
70447301 .....	17
70471601 .....	15
70482401 .....	17
70506901 .....	15
Coin Drop Kit	
CK077 .....	15
CK122 .....	19
CK503 .....	17

N/A items do not appear in index.

Coin Identification Paper	
38725 .....	15, 17, 19
Coin Meter	
F0160737-00 .....	17
Coin Vault Assembly	
F8529101 .....	9
Coin Vault Bypass Harness	
F8519702 .....	11
Coin Vault Harness	
F8519701 .....	9
Concrete Hardware Kit	
1112P .....	69
Connector	
F8555406 .....	11
J1408004 .....	57
70493102 .....	27
Contactora	
F330188P .....	65
70482601 .....	23, 25
70482701 .....	23, 25
Contactora Tray	
F8530901 .....	23, 25
Control Assembly	
F8493901P .....	9, 11
Control Panel Assembly	
F8552601 .....	31
F8552604 .....	37
F8697501 .....	33, 35
F8697502 .....	39, 41
Control Tray	
F8530701 .....	13
Coupling	
F8116301 .....	67
F8362701 .....	67

## D

Danger Label	
F8614501 .....	7
DIN Rail	
B12315401 .....	23, 25
M412689 .....	23, 25
Dispenser	
F8047403 .....	61
Dispenser Bracket	
F8525701 .....	43
Dispenser Cover	
F8563201 .....	61
F8563203 .....	61
Dispenser Gasket	
B12568601 .....	61
Dispenser Weldment	
F8437902 .....	61
Door	
F8505001 .....	47
F8508801 .....	47
F8687102 .....	49
F8687105 .....	49
Door Assembly	
F8505102 .....	47
F8505105 .....	47
F8505111 .....	47
F8505112 .....	47
F8698703 .....	49

F8698704 .....	49
F8698705 .....	49
F8698706 .....	49
Door Bezel	
F170419-3 .....	31, 33, 35
F8659301 .....	37, 39, 41
Door Gasket	
F8440801P .....	47
F8636501 .....	47, 49
Door Glass	
F8342001 .....	47
F8342002 .....	47
535439P .....	47, 49
Door Glass Gasket	
F8499904 .....	47
Door Glass Retainer	
F8504902 .....	47
F8504903 .....	47
Door Glass Trim	
F8583207 .....	49
Door Handle	
F8544701 .....	47, 49
Door Handle Spacer Kit	
F8567501 .....	47, 49
Door Hinge	
F190216P .....	47, 49
Door Hinge Shim Kit	
F200131000P .....	47, 49
Door Latch Arm Assembly	
F8221403 .....	47, 49
Door Lock Assembly	
F8632401 .....	51
Door Lock Catch	
F8344501 .....	51
Door Lock Cover	
F8245001 .....	51
Door Lock Harness	
F8520202 .....	51
Door Lock Microswitch	
F200203200 .....	51
Door Lock Plate Assembly	
F8223202 .....	51
Door Lock Plate Shim	
F83344401 .....	51
Door Lock Solenoid Replacement Kit	
F977P3 .....	51
Door Lock Switch Lever	
F8223401 .....	51
Door Mount	
F150271 .....	47, 49
Double Check Valve	
F8301201 .....	61
Dowel Pin	
F8406502 .....	57
Drain Hose	
F200165100 .....	59
F8542001 .....	59
F8542101 .....	63
F8542201 .....	59
Drain Valve	
F8406308 .....	59
Drain Valve Bracket	
F8543601 .....	59

N/A items do not appear in index.

Drain Valve Cover	
F200133600	59
Drain Valve Harness	
F8520002	59
Drain Valve Kit	
F200166302	59
F200166402	59
F8577201	59
Drive Assembly	
F8496601	29
F8496901	29
Drive Communication Harness	
F8519201	29
F8519202	29
F8519203	29
F8519204	29
Drive Mounting Bracket	
F8322401	29
Drive Panel Base Assembly	
F8567001	23
F8567003	25
F8567004	23, 25
Drive Power Harness	
F8518603	29
Drive Terminal Tray	
F8530803	23, 25

## E

Electric Heat Element Harness	
F8584802	65
Electronic Coin Drop Assembly	
70294107	19
70513302	19
70513303	19
70513304	19
70513306	19
70513309	19
70513310	19
70513311	19
70513312	19
70513313	19
70513314	19
70513315	19
70513316	19
Electronic Coin Drop Kit	
CK099	19
CK100	19
CK101	19
CK108	19
CK109	19
CK110	19
CK113	19
CK115	19
CK116	19
CK117	19
CK118	19
CK119	19
CK120	19
CK121	19
CK500	19
Emergency Stop Bypass Harness	
F8519403	11
F8549403	9

EMI Filter	
F8591801	23, 25
F8637501	23, 25
End Stop	
F8449801	23, 25
Excluder Seal	
F8337101	53
F8527701	53
Excluder Seal Fixture	
F8537502	69
Expansion Clip	
70030501	13, 23, 25, 29, 31, 33, 35, 37, 39, 41, 43, 45, 51, 57
Extension Spring	
F8440701	63
External Supply Kit	
F8662504	27
F8662508	27
Eye Bolt	
F8319503	63

## F

False Side Panel	
F8557401	57
F8557402	57
Ferrite	
204454	69
Fill Cover	
F8586301	43
Fill Hose Kit	
F8544601	61
Fill Valve Harness	
F8520102	61
Filter Kit	
F8662807	25
F8662808	23
F8662813	23
F8662814	25
Flanged Bushing	
F8649401	63
Flanged Isolator	
F8333302	63
F8535202	63
Frame Shield	
F8509501	57
Frame Shield Extension	
F8577901	57
F8577902	57
Frame Template	
F8413101	69
Front Panel	
F8552801	31
F8552802	37
F8552803	35
F8552804	41
F8685901	33
F8685902	39
F8685904	39
Front Tray Assembly	
F8531001	9, 11
F8567303	9
F8567306	9
F8567309	11

N/A items do not appear in index.

F8567312..... 11

---

## G

Gasket  
F8542601..... 43

Gateway  
205223P..... 13  
205391P..... 13

Grease Fitting  
F190701..... 31, 33, 35, 37, 39, 41

Grease Gun  
F210207P..... 69

Grease Gun Kit  
F798700..... 69

Ground Lug Connector  
M411283..... 23, 25

Guide Rod Assembly  
F8534101..... 69

---

## H

Hammer  
F8490701..... 69

Hammer Tool Adapter  
F8514401..... 69

Harness  
F8518401..... 23  
F8518403..... 23, 25  
F8518404..... 23  
F8518501..... 25  
F8518503..... 25  
F8518504..... 25  
F8518606..... 23, 25  
F8519301..... 9, 11  
F8519502..... 9, 11  
F8519601..... 9, 11  
F8520602..... 27  
F8520704..... 67  
F8528001..... 23, 25  
F8528003..... 23, 25  
F8528005..... 23, 25  
F8528204..... 27  
F8564001..... 65  
F8564004..... 65, 67  
F8598302..... 65  
F8619102..... 23, 25

Heating Element  
F8568301..... 65

Heating Element Plug  
F360202..... 65

Hole Plug  
F8223801..... 43

Hose  
F8232012..... 61  
F8245713..... 31, 33, 35, 37, 39, 41

Hose Clamp  
F200201..... 59, 61  
F200213..... 61  
36801..... 61  
36802..... 59  
39282..... 9, 11, 65

Hose Fitting  
44069101..... 61

Hot Surface Warning Label  
F8609001..... 7  
F8614301..... 7

---

## I

Input and Output Control Assembly  
F8494101P..... 13

Insertion Sleeve  
F8464901..... 53

Insulation  
F8233702..... 67  
F8233704..... 67

Insulator  
M413862..... 23, 25

---

## J

Jumper  
F8568901..... 65  
F8583501..... 23, 25, 65

---

## K

Key  
F160420..... 21  
H8752006H..... 63  
44049002..... 63  
70155603..... 43

---

## L

Label  
D516100..... 23, 25  
F8601301..... 7  
F8602401..... 7  
F8609401..... 7  
F8611301..... 7  
F8611401..... 7  
F8613501..... 31, 33, 35, 37, 39, 41  
F8614801..... 7  
F8620801..... 7  
203853..... 7  
44286803..... 23, 25

---

## M

Machine ID Control Assembly  
203361P..... 9, 11

Magnet  
F8390801..... 47, 49

Manifold Valve  
F8529701..... 61  
F8529702P..... 61

Mixing Valve  
70519801..... 61  
70519802..... 61

N/A items do not appear in index.

Molded Drain	
F8386807 .....	59
Motor	
F8510001 .....	63
Motor Bracket Weldment	
F8441805 .....	63
Motor Harness	
F8519005 .....	63
F8519010 .....	63
Motor Pulley	
F8362601 .....	63
F8362602 .....	63
Motor Spring Bracket	
F8342201 .....	63
Mounting Plate	
70208801 .....	11

## N

Nut	
C001236 .....	47, 49
F0431807-00 .....	61
F430215 .....	19, 47, 49
F430218 .....	53, 55
F430232 .....	47, 49, 51
F430248 .....	57
F431024 .....	51
F431041 .....	47, 49
F8387601 .....	63
F8455801 .....	69
F8457701 .....	69
F8459101 .....	69
F8549401 .....	47
44087201 .....	57, 59, 63
44087301 .....	63
44088001 .....	23, 25
44088801 .....	43
685846 .....	9, 11, 15, 17
70030401 .....	45, 59

## O

One Sided Disassembly Fixture	
F8562801 .....	69
Opto Coupler	
200674P .....	15, 17
O-Ring	
F8569101 .....	61
Overflow Hose	
F0150488-00 .....	59
Overlay	
F8591401 .....	35
F8591402 .....	35
F8591403 .....	41
F8591501 .....	35
F8591502 .....	35
F8591503 .....	41
F8594301 .....	31, 35
F8594302 .....	31, 35
F8594303 .....	37, 41
F8594401 .....	31, 35
F8594402 .....	31, 35
F8594403 .....	37, 41
F8594802 .....	35

F8594901 .....	31, 35
F8594902 .....	31
F8594903 .....	37, 41
F8595001 .....	31, 35
F8595002 .....	31, 35
F8595003 .....	37, 41
F8641601 .....	31
F8641602 .....	31
F8641603 .....	37
F8641604 .....	37
F8641605 .....	31
F8692601 .....	33
F8692602 .....	33
F8692603 .....	39
F8693101 .....	33
F8693102 .....	33
F8693103 .....	39
F8693601 .....	33
F8693602 .....	33
F8693603 .....	39
F8694101 .....	33
F8694102 .....	33
F8694103 .....	39
F8694104 .....	39
F8694105 .....	33
F8727901 .....	35
F8727902 .....	35
F8727903 .....	41
F8727905 .....	35, 41
F8728001 .....	35
F8728002 .....	35
F8728003 .....	41
F8728005 .....	35, 41
70518101 .....	37
70518102 .....	37
70556501 .....	37
70556502 .....	37
70556601 .....	31
70556801 .....	31
70645601 .....	33, 35
70645701 .....	33, 35
70645801 .....	33, 35
70645901 .....	33, 35
70646001 .....	39, 41
70646002 .....	39, 41
70646101 .....	39, 41
70646102 .....	39, 41

## P

Panel Locator	
56079 .....	31, 33, 35, 37, 39, 41, 45
Panel Lock	
44089303P .....	43
Payment Center Kit	
205069 .....	11
205070 .....	11
Pin	
F8302701 .....	53
F8502101 .....	45
Pinch Warning Label	
F8615701 .....	7
70538401 .....	7
Pipe Insulation	
F410300 .....	67
F8233708 .....	67

N/A items do not appear in index.

Pipe Nipple	
70214101 .....	67
70435601 .....	67
Plug	
F0150502-00 .....	59
F420408 .....	65, 67
F8223901 .....	43
M400985 .....	43
M403052 .....	57
Pop Rivet	
F431215 .....	31, 33, 35, 37, 39, 41, 43
F431223 .....	47, 49
M400003 .....	13, 23, 25
685847 .....	43
70058501 .....	9, 15, 17, 23, 25, 61
70412601 .....	31, 33, 35, 37, 39, 41
Power Distribution Block	
M413865 .....	23, 25
Power Distribution Block Cover	
44014901P .....	23, 25
Power Harness	
F8619101 .....	23, 25, 65
Pressure Cap	
F8579301 .....	59
Pressure Sensor	
F8623401 .....	9, 11, 65
P-Trap Hose	
F8529605 .....	61
Pulse Expander Assembly	
F8034701P .....	19
Pushbutton Switch	
70413301 .....	43

## R

Radial Lip Seal	
F8528501 .....	57
Radial Seal	
F8203807 .....	57
F8203808 .....	57
Rear Panel	
F8555301 .....	43
Rear Vent Hose	
F8616405 .....	61
Reed Switch Assembly	
F8066804 .....	51
Rivet	
M412763 .....	31, 33, 35, 37, 39, 41, 45
70412601 .....	43
Rod	
F602813-2 .....	47, 49
F8599201 .....	69

## S

Screw	
D503688 .....	29
F430532 .....	47, 49
F430536 .....	47, 49
F430900 .....	55
F8117601 .....	31, 33, 35, 37, 39, 41, 45, 51
F8206901 .....	13, 23, 25, 43, 57
F8230301 .....	61

F8313701 .....	57
F8442702 .....	55
F8535501 .....	47, 49
F8535601 .....	61
F8589501 .....	31, 33, 35, 37, 39, 41
F8673701 .....	53
M400063 .....	69
M400077 .....	63
202175 .....	45, 59
33562 .....	43
39733 .....	23, 25
403497 .....	27
430497 .....	13
44048902 .....	63
44079203 .....	63
51783 .....	23, 25
685837 .....	23, 25
70321501 .....	67
800461 .....	63
800548 .....	61
Seal	
F8379301 .....	53
Seal Press Fixture	
F8515301 .....	69
Seal Scupper Pad	
F8452701 .....	57
Seal Sleeve	
F8343911 .....	53
Seal Wear Plate	
F8550101 .....	55
Shaft Support Assembly	
F8560501 .....	69
Sheave Pulley	
F8381801 .....	63
Shell	
F8543802 .....	55, 65, 67
F8543803 .....	55
F8543902 .....	55, 65, 67
F8543903 .....	55
Shell Band Kit	
F8537808 .....	53
Shell Front	
F8222701 .....	53
Shell Front Assembly	
F8229801 .....	53
Shell Insulation	
F8209105 .....	65, 67
Shock Warning Label	
F8614201 .....	7
Side Panel	
F8553001 .....	45
F8553002 .....	45
F8553101 .....	45
F8553102 .....	45
Siphon Cover	
F8047901 .....	61
Sleeve Adapter	
F8382501 .....	53
Snap Bushing	
F140938 .....	9, 11, 23, 25, 27
M402542 .....	9, 11
M411826 .....	9, 11
70346501 .....	23, 25
Spacer	
F431901 .....	51

N/A items do not appear in index.

Spring Pin F431222 .....	47, 49
Spring Stud Kit F8748601 .....	63
Steam Filter F270307 .....	67
Steam Hose F200197 .....	67
Steam Kit F8662601 .....	67
Street Elbow H86070034 .....	67
Stud F8634701 .....	63
70334702 .....	57, 59
Supply Vacuum Hose F8529405 .....	61
F8529406 .....	61

## T

Temperature Probe Grommet 2251000400 .....	55, 65
Terminal 00622SG .....	13, 23, 25
Terminal Block 430642 .....	23, 25
Terminal Block Shield 70333001 .....	23, 25
Terminal Tray Cover F8518301 .....	43
Thermistor F8538801 .....	55, 65
Threaded Rod F8452101 .....	69
Top Cover F8553301 .....	43
F8553302 .....	43
Top Cover Hinge F8258601 .....	43
Top Cover Latch F8201001 .....	31, 33, 35, 37, 39, 41
Torsion/Door Lock Spring F8070301 .....	51
Transformer F8491101 .....	13
202758 .....	13
Tubing F8405302 .....	9, 11
F8405303 .....	9, 11

## U

USB IR Interface Kit 203346 .....	69
--------------------------------------	----

## V

Vacuum Breaker Assembly F8517501 .....	61
F8517502 .....	61
F8517503 .....	61

F8517504 .....	61
Vacuum Breaker Guard F8589601 .....	61
Valve F8322805 .....	67
F8565201 .....	61
F8565202 .....	61
Valve Panel F8553401 .....	43
Valve Rebuild Kit F8379505 .....	67

## W

Warning Label F8611601 .....	7
44324001 .....	7
Washer F431133 .....	47, 49
F431147 .....	47, 49
F431916 .....	47, 49
F431929 .....	47, 49
F8171201 .....	57
F8193101 .....	51
F8201101 .....	31, 33, 35, 37, 39, 41
F8366601 .....	63
F8402701 .....	55
F8456101 .....	69
M400013 .....	63
M400080 .....	53, 57
M400081 .....	55
M405535 .....	45
70292801 .....	31, 33, 35, 37, 39, 41
804501 .....	43
Water Hose F200164 .....	61
F200166 .....	61
Water Level Pressure Switch F8609101 .....	9, 11, 65
Water Reuse Hose C000412 .....	59
Wire Clip F8449501 .....	9, 11, 13
70347601 .....	13
70366201 .....	9, 11
Wire Label 44286804 .....	23
Wireless Harness F8520404 .....	13
F8674004 .....	13
Wireless Kit F8662402 .....	13
F8676101 .....	13
Wireless Network Control Assembly 203532 .....	13
807211 .....	13

## Y

Y-Connector 223/00243/00 .....	61
-----------------------------------	----

N/A items do not appear in index.

