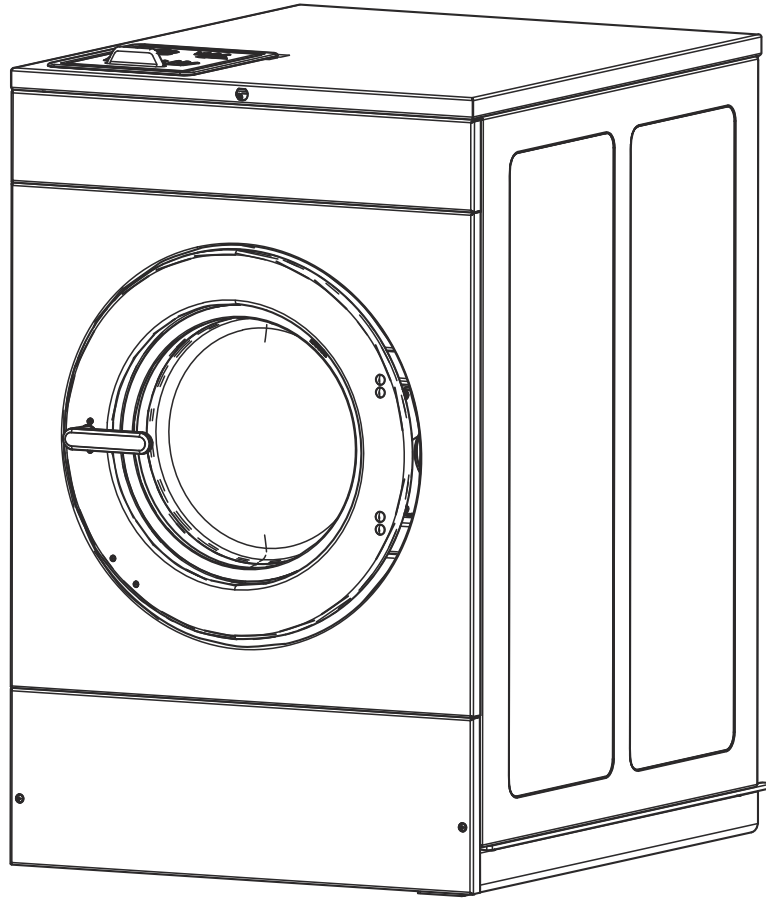


# Washer-Extractor

Cabinet Hardmount

Design 4, 6 and 7

Refer to Page 5 for Model Numbers



C-CHM2C3\_F8677101



# Table of Contents

Title	Page
Parts Ordering Information.....	3
Serial Plate Location .....	3
Model Identification .....	5
Product Overview - Quantum Gold Network .....	6
Labels .....	8
Control Module and Front Tray Assembly - Coin Models .....	10
Control Module and Front Tray Assembly - Card Reader and Central Pay Models .....	12
Control Tray Assembly.....	14
Flush Mount Coin Meter Assembly - Single Drop .....	16
Flush Mount Coin Meter Assembly - Dual Drop.....	18
Electronic Coin Meter Assembly .....	20
Optional Coin Box.....	22
Inverter Drive Box - 20 and 30 Pound Models with B Voltage .....	24
Inverter Drive Box - 20 and 30 Pound Models with N, P, Q, W, X and Y Voltage.....	26
Inverter Drive Box - 40 Pound Models with B Voltage .....	28
Inverter Drive Box - 40 Pound Models with N, P, Q, W, X and Y Voltage.....	30
Inverter Drive Box - 60 Pound Models with Q and X Voltage .....	32
Inverter Drive Box - 60 Pound Models with N and P Voltage.....	34
External Supply Kit.....	36
Inverter Drive .....	38
Front Panels and Control Panel - Coin Models - Design 4 and 6 .....	40
Front Panels and Control Panel - Coin Models - Design 7 .....	42
Front Panels and Control Panel - Card Reader and Central Pay Models - Design 4 and 6 .....	44
Front Panels and Control Panel - Card Reader and Central Pay Models - Design 7 .....	46
Rear and Top Panels .....	48
Side Panels.....	50
Door - 20 Pound Models .....	52
Door - 30 Pound Models .....	54
Door - 40 and 60 Pound Models .....	56
Door Lock.....	58
Shell Front, Basket, Shell and Frame Template .....	60
Bearing Housing .....	62
Drain Plumbing .....	64
Pump Drain Plumbing - 20, 30 and 40 Pound Models.....	66
Fill Plumbing - 20 Pound Models .....	68
Fill Plumbing - 30 Pound Models .....	70
Fill Plumbing - 40 Pound Models .....	72
Fill Plumbing - 60 Pound Models .....	74
Motor, Pulley and Belt - 20 and 30 Pound Models.....	76
Motor, Pulley and Belt - 40 and 60 Pound Models.....	78
Electric Heating.....	80

© Copyright 2022, Alliance Laundry Systems LLC

All rights reserved. No part of the contents of this book may be reproduced or transmitted in any form or by any means without the expressed written consent of the publisher.

Steam Heating - 40 and 60 Pound Models .....	82
Special Tools and Kits .....	84
Parts Index.....	87

## Parts Ordering Information

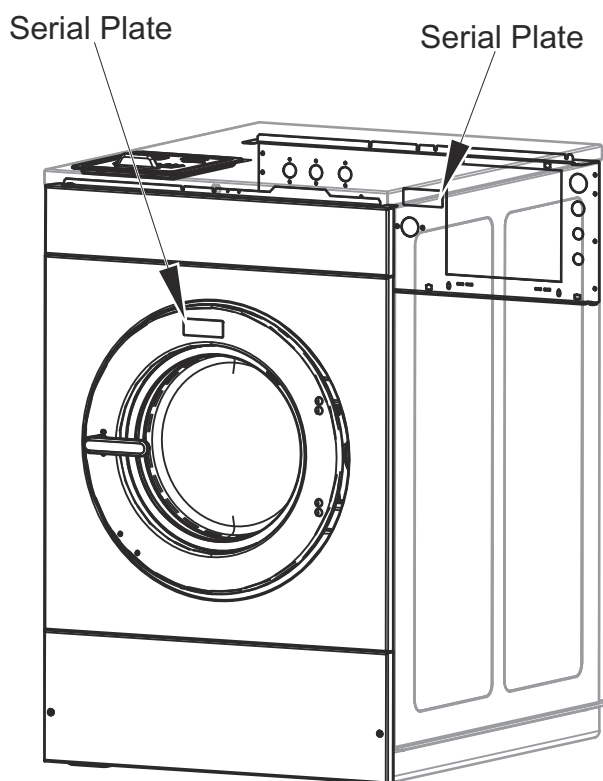
If literature or replacement parts are required, contact the source from whom the machine was purchased or contact Alliance Laundry Systems at (920) 748-3950 for the name and address of the nearest authorized parts distributor.

For technical assistance, call the number listed below:

(920) 748-3121 Ripon, Wisconsin

## Serial Plate Location

When calling or writing about your product, be sure to mention model and serial numbers. Model and serial numbers are located on serial plate(s) as shown.



C-CHM2C2\_F8677101

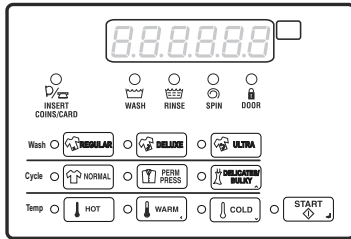
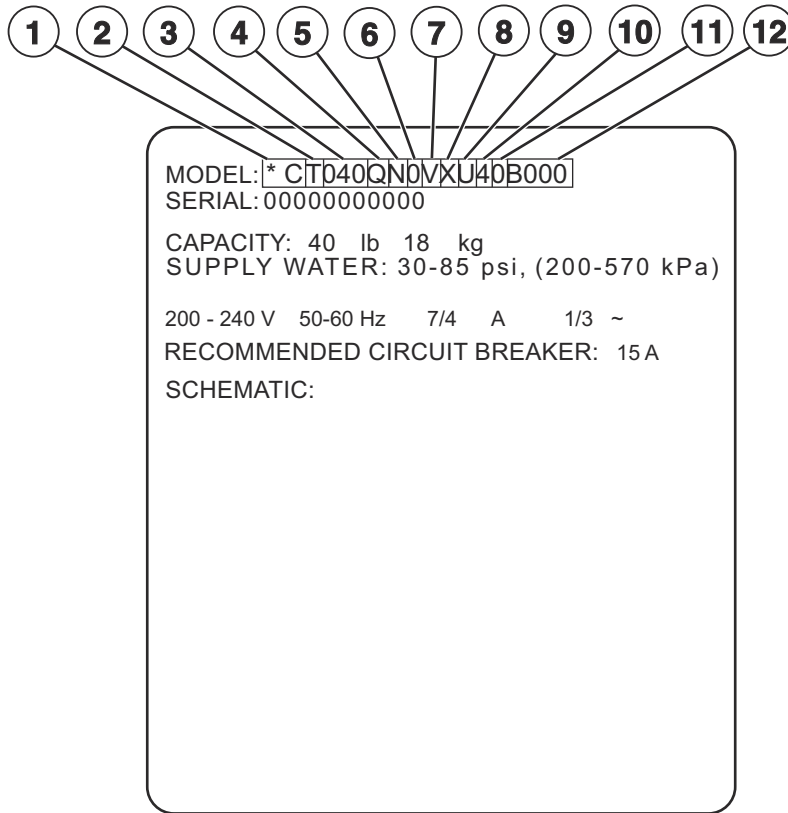


## Model Identification

Information in this manual is applicable to these washer-extractor models:

SCJ020WC	SCJ030WC	SCJ040WC	SCJ060WC
SCJ020WD	SCJ030WD	SCJ040WD	SCJ060WD
SCJ020WE	SCJ030WE	SCJ040WE	SCJ060WE
SCJ020WF	SCJ030WF	SCJ040WF	SCJ060WF
SCJ020WH	SCJ030WH	SCJ040WH	SCJ060WH
SCJ020WL	SCJ030WL	SCJ040WL	SCJ060WL
SCJ020WQ	SCJ030WQ	SCJ040WQ	SCJ060WQ
SCJ020WT	SCJ030WT	SCJ040WT	SCJ060WT
SCJ020WV	SCJ030WV	SCJ040WV	SCJ060WV
SCJ020WX	SCJ030WX	SCJ040WX	SCJ060WX
SCJ020WY	SCJ030WY	SCJ040WY	SCJ060WY

# Product Overview - Quantum Gold Network



Quantum Gold Network

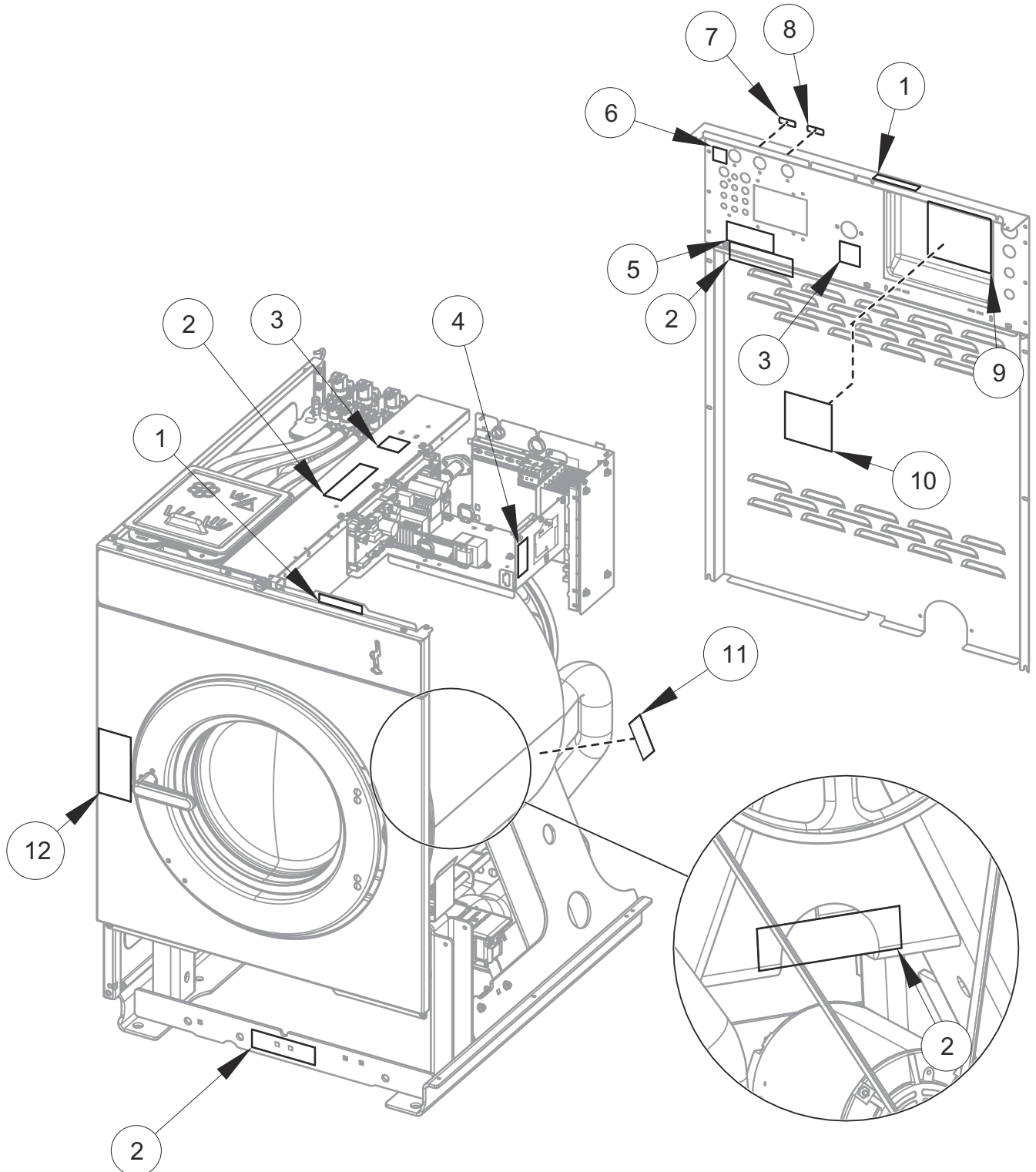
CHM3492P\_F8677101



# Product Overview - Quantum Gold Network

REF	PART NO.	DESCRIPTION	COMMENTS
1	-	Product Family	SC
2	-	Market Approvals	A (Australia IEC) D (Brazil IEC) G (International) H (China-ROHS IEC) J (Japan-PSE IEC ) K (Korea IEC) L (Thailand-TISI IEC) T (North America) U (International CE/EAC IEC)
3	-	Capacity (Dry Weight in Pounds)	020 030 040 060
4	-	Control	W
5	-	Actuation	L (Central Pay) X (Prep for Coin) Y (Prep for Card) C (Single Coin) D (Dual Coin) E (Electronic Drop) T (Token) F (Single Coin + CD Lock and Key) Q (Dual Coin + CD Lock and Key) H (Electronic Drop + CD Lock and Key) V (Token + CD Lock and Key)
6	-	Coin Meter	0 (Standard) 1 (CD Lock and Key)
7	-	Speed	F (F-Speed) V (V-Speed)
8	-	Voltage	B (120/60/1) W (200-240/50/1/3) Y (200-240/60/1/3) X (200-240/50-60/1/3) Q (200-240/50-60/3) P (380-415/50-60/3) N (440-480/50-60/3)
9	-	Panel	B (Chrome Door) C (Chrome Door) U (Vinyl) 1 (Stainless Steel Side)
10	-	Design	4 6 7
11	-	Heat	0 (Standard) D (Steam) E (Electric Heat) P (Prep for Steam)
12	-	Features and Options	

# Labels

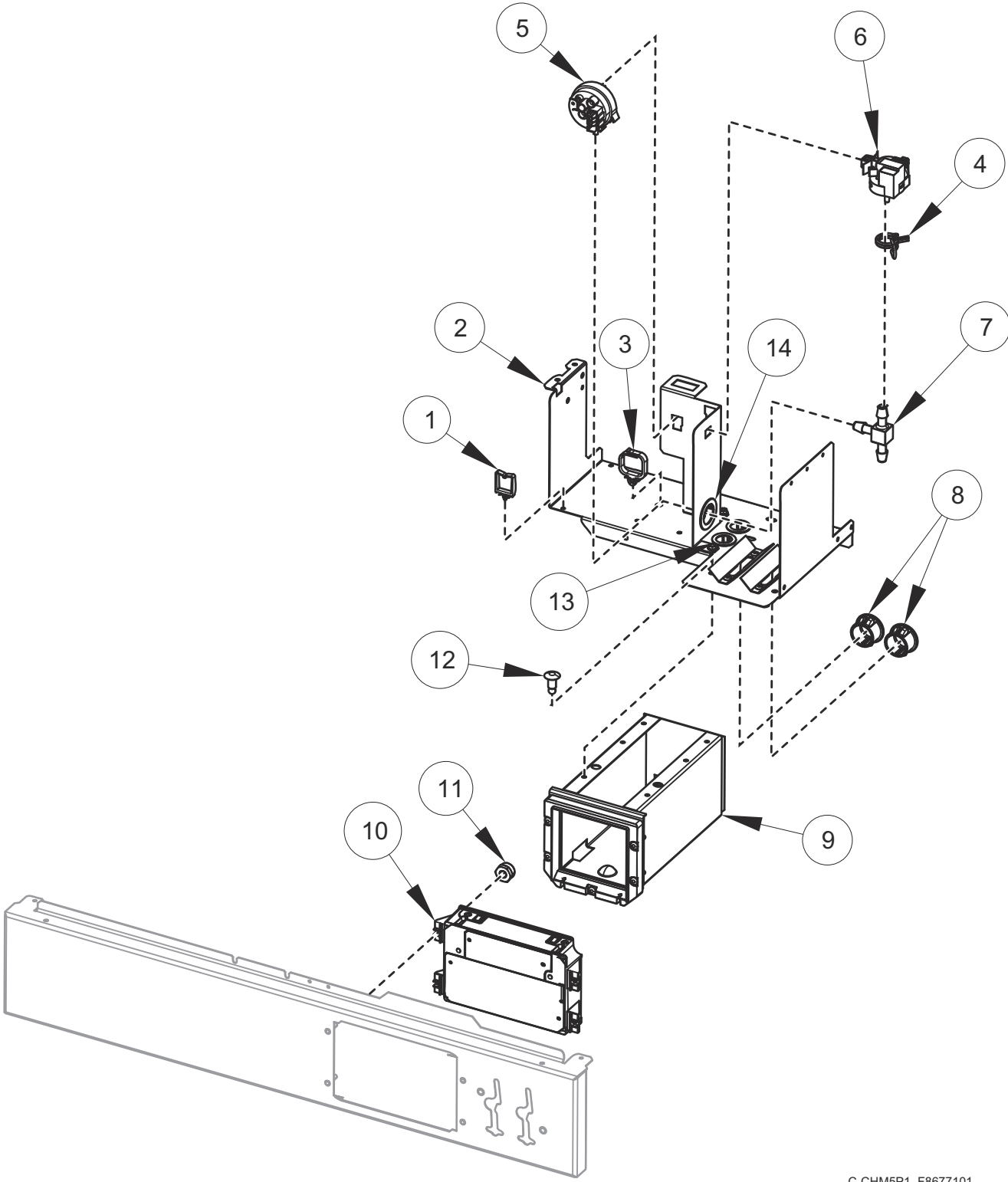


C-CHM2P27\_F8677101

# Labels

REF	PART NO.	DESCRIPTION	COMMENTS
1	F8614501	Danger Label	English/Quebec/French
2	44324001	Warning Label	Pinch/Shock; English/French
	F8614201	Shock Warning Label	Icon
	F8615701	Pinch Warning Label	Icon
3	F8614301	Hot Surface Warning Label	English/Quebec/French
	F8609001	Hot Surface Warning Label	Icon
4	F8601301	Label	Warning; Underground components
5	F8609401	Label	Notice; Chemical connection
6	203853	Label	ROHS (China)
7	F8611301	Label	Hot water; Icon
8	F8611401	Label	Cold water; Icon
9	F8611601	Label	Warning; English/Quebec/French
10	F8602401	Label	Notice; Large expansion board
11	70538401	Pinch Warning Label	English/French
	F8615701	Pinch Warning Label	Icon
12	F8614801	Label	Warning fire/injury; English/Quebec/French

# Control Module and Front Tray Assembly - Coin Models

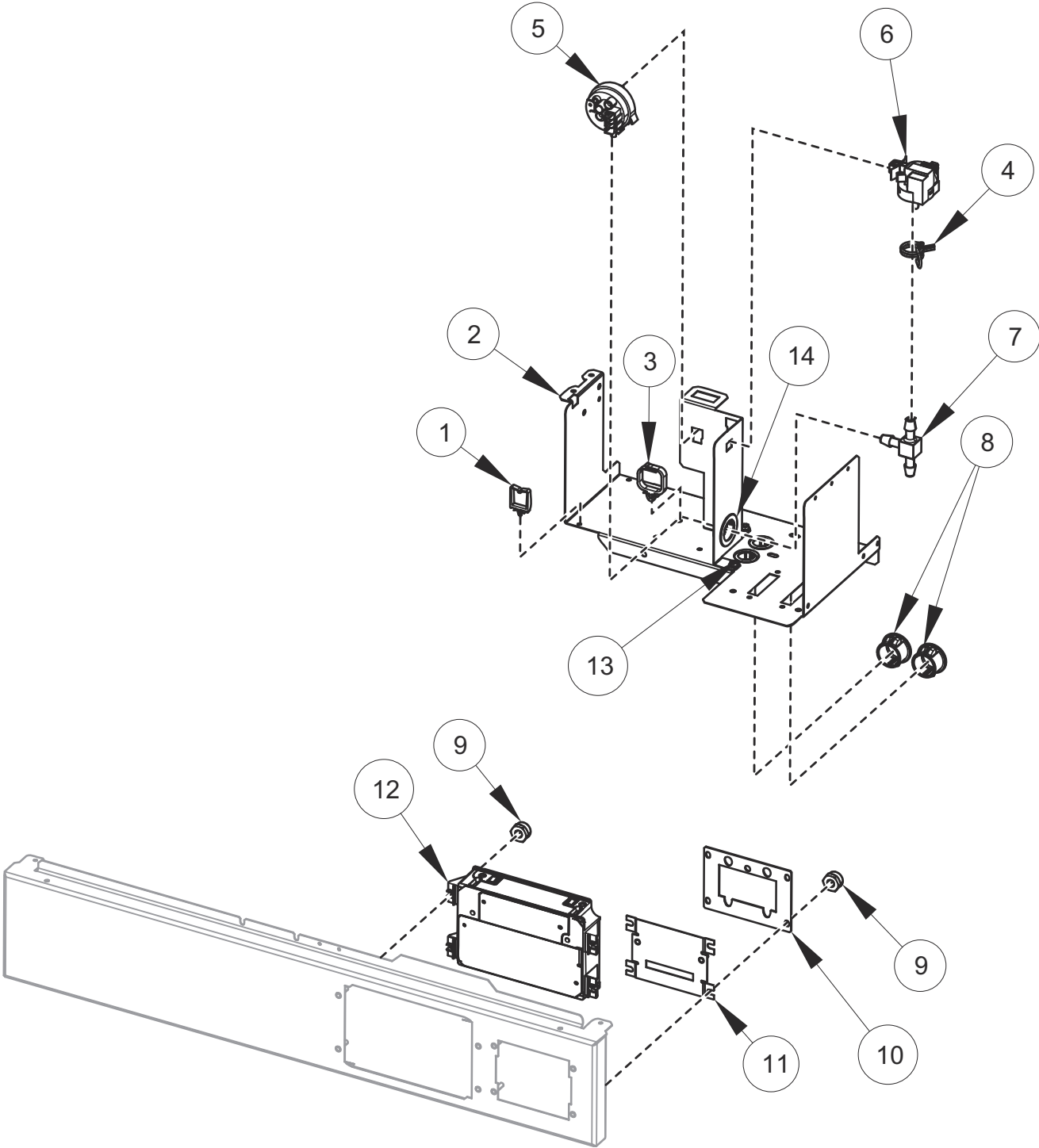


C-CHM5P1\_F8677101

## Control Module and Front Tray Assembly - Coin Models

REF	PART NO.	DESCRIPTION	COMMENTS
	203361P	Machine ID Control Assembly	
	F8567301	Front Tray Assembly	20 pound models; Includes items 1-3, 6, 8, 9, 12-14, 70413301 Pushbutton Switch and F8519701 Coin Vault Harness
	F8567304	Front Tray Assembly	20 pound models; Steam or electric heat; Includes items 1-9, 12-14, 70413301 Pushbutton Switch and F8519701 Coin Vault Harness
	F8567302	Front Tray Assembly	30 pound models; Includes items 1-3, 6, 8, 9, 12-14, 70413301 Pushbutton Switch and F8519701 Coin Vault Harness
	F8567305	Front Tray Assembly	30 pound models; Steam or electric heat; Includes items 1-9, 12-14, 70413301 Pushbutton Switch and F8519701 Coin Vault Harness
	F8567303	Front Tray Assembly	40 and 60 pound models; Includes items 1-3, 6, 8, 9, 12-14, 70413301 Pushbutton Switch and F8519701 Coin Vault Harness
	F8567306	Front Tray Assembly	40 and 60 pound models; Steam or electric heat; Includes items 1-9, 12-14, 70413301 Pushbutton Switch and F8519701 Coin Vault Harness
	F8519701	Coin Vault Harness	
	F8519301	Harness	Tray power harness
	F8519501	Harness	Communication; 20 and 30 pound models
	F8519502	Harness	Communication; 40 and 60 pound models
	F8519601	Harness	Coin access
	F8519403	Emergency Stop Bypass Harness	
<b>1</b>	70366201	Wire Clip	
<b>2</b>	F8531001	Front Tray Assembly	
<b>3</b>	F8449501	Wire Clip	
<b>4</b>	39282	Hose Clamp	
<b>5</b>	F8609101	Water Level Pressure Switch	Steam or electric heat
	F8405303	Tubing	Electric heat
<b>6</b>	F8623401	Pressure Sensor	
	F8405302	Tubing	Electric heat
<b>7</b>	203464	Barbed Tee	Steam or electric heat
<b>8</b>	M411826	Snap Bushing	
<b>9</b>	F8529101	Coin Vault Assembly	
<b>10</b>	F8493901P	Control Assembly	
<b>11</b>	685846	Nut	
<b>12</b>	70058501	Pop Rivet	
<b>13</b>	F140938	Snap Bushing	
<b>14</b>	M402542	Snap Bushing	

# Control Module and Front Tray Assembly - Card Reader and Central Pay Models

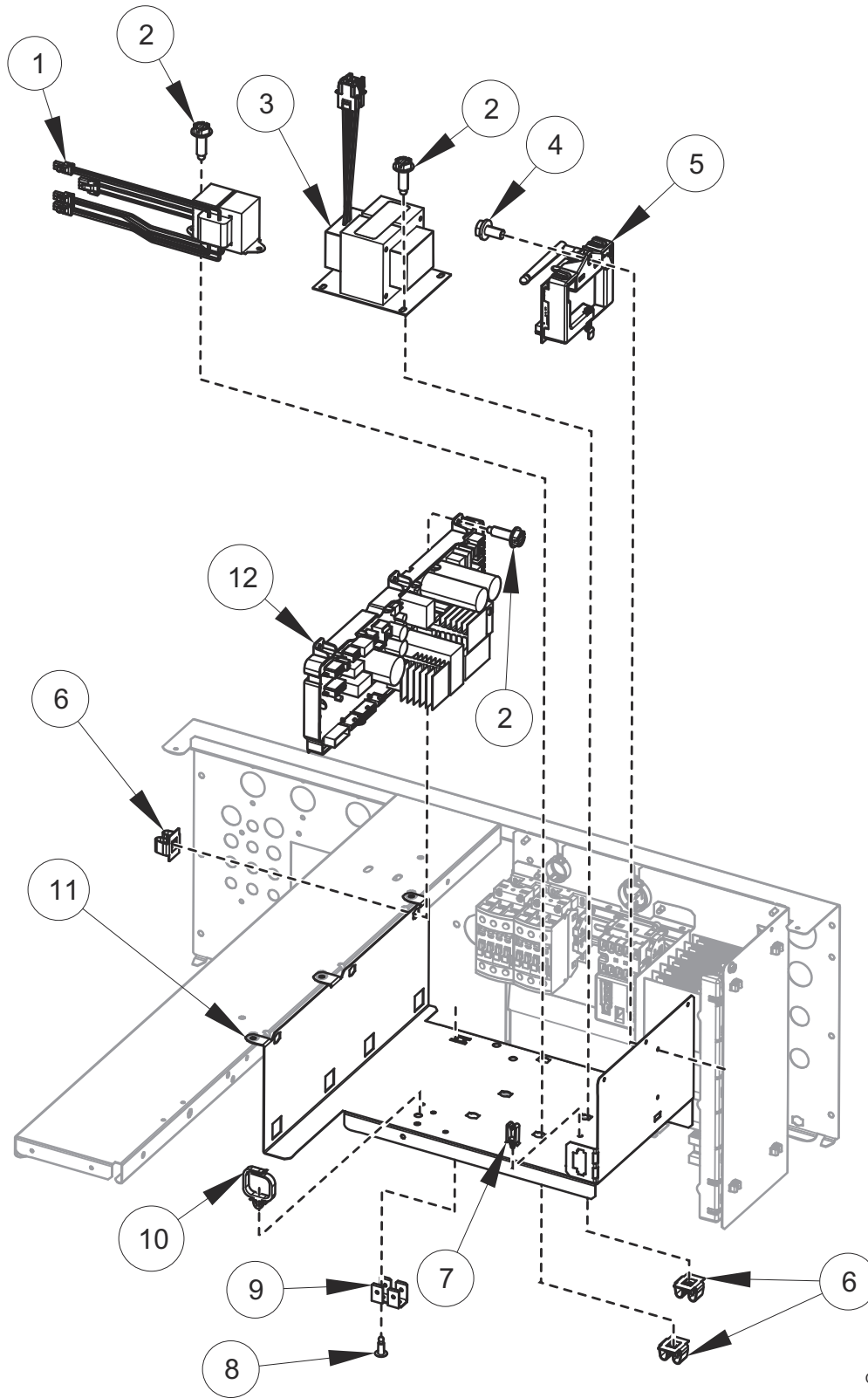


C-CHM5P3\_F8677101

## Control Module and Front Tray Assembly - Card Reader and Central Pay Models

REF	PART NO.	DESCRIPTION	COMMENTS
	205067	Payment Center Kit	Includes printer
	205068	Payment Center Kit	
	203361P	Machine ID Control Assembly	
	F8567307	Front Tray Assembly	20 pound models; Includes items 1-3, 6, 8, 13, 14, 70413301 Pushbutton Switch
	F8567310	Front Tray Assembly	20 pound models; Steam or electric heat; Includes items 1-8, 13, 14, and 70413301 Pushbutton Switch
	F8567308	Front Tray Assembly	30 pound models; Includes items 1-3, 6, 8, 13, 14, 70413301 Pushbutton Switch
	F8567311	Front Tray Assembly	30 pound models; Steam or electric heat; Includes items 1-8, 13, 14, and 70413301 Pushbutton Switch
	F8567309	Front Tray Assembly	40 and 60 pound models; Includes items 1-3, 6, 8, 13, 14, 70413301 Pushbutton Switch
	F8567312	Front Tray Assembly	40 and 60 pound models; Steam or electric heat; Includes items 1-8, 13, 14, and 70413301 Pushbutton Switch
	44342801	Central Pay Harness	Models through December 2018
	F8519301	Harness	Tray power harness
	F8519501	Harness	20 and 30 pound models; Communication
	F8519502	Harness	40 and 60 pound models; Communication
	F8519702	Coin Vault Bypass Harness	
	F8519601	Harness	Coin Access
	F8519403	Emergency Stop Bypass Harness	
<b>1</b>	70366201	Wire Clip	
<b>2</b>	F8531001	Front Tray Assembly	
<b>3</b>	F8449501	Wire Clip	
<b>4</b>	39282	Hose Clamp	
<b>5</b>	F8609101	Water Level Pressure Switch	Steam or electric heat
	F8405303	Tubing	Electric heat
<b>6</b>	F8623401	Pressure Sensor	
	F8405302	Tubing	Electric heat
<b>7</b>	203464	Barbed Tee	Steam or electric heat
<b>8</b>	M411826	Snap Bushing	
<b>9</b>	685846	Nut	
<b>10</b>	70208801	Mounting Plate	
<b>11</b>	F8201501	Card Plate Assembly	
<b>12</b>	F8493901P	Control Assembly	
<b>13</b>	F140938	Snap Bushing	
<b>14</b>	M402542	Snap Bushing	

# Control Tray Assembly



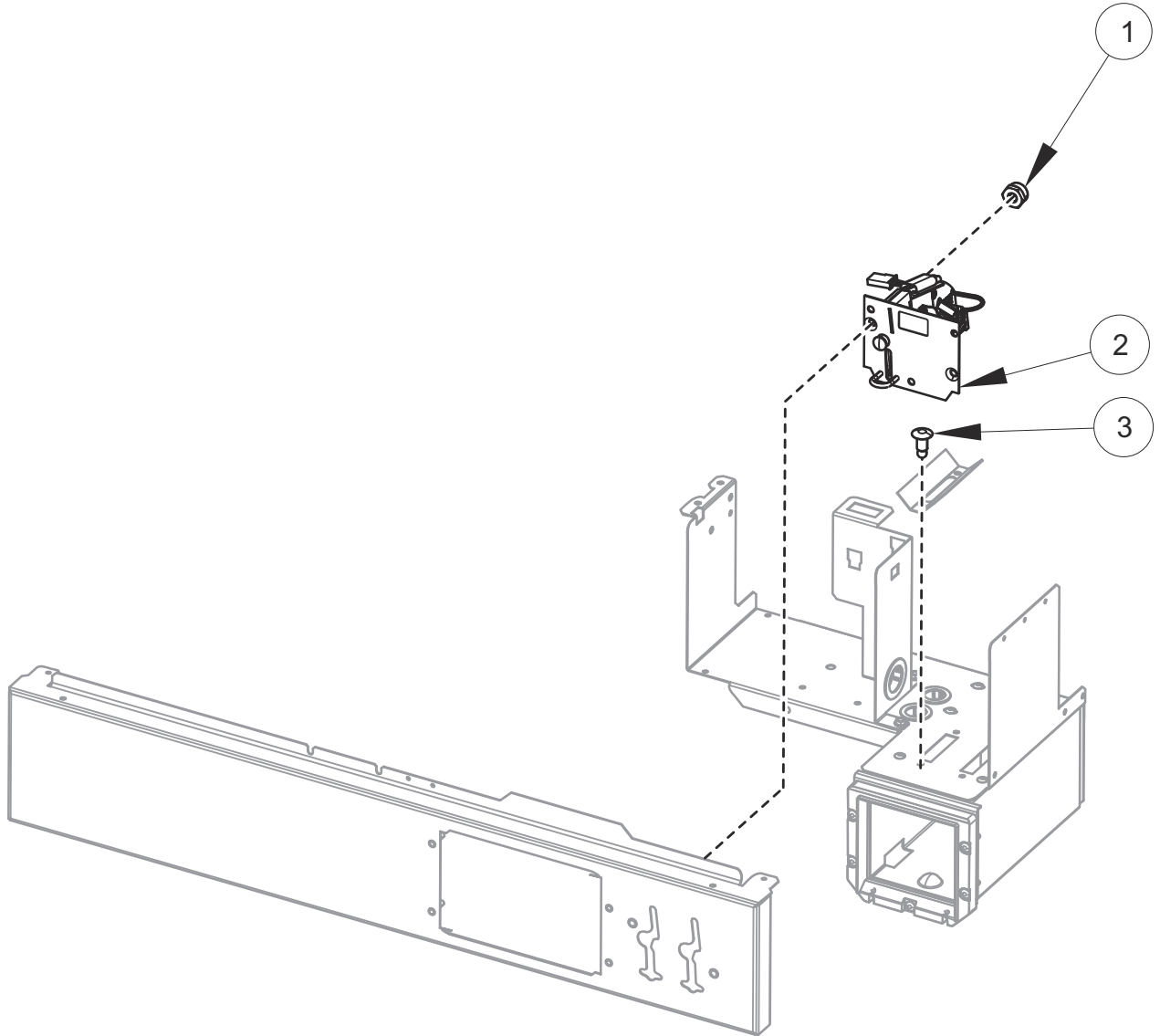
C-CHM5P2\_F8677101



# Control Tray Assembly

REF	PART NO.	DESCRIPTION	COMMENTS
	205223P	Gateway	
	205391P	Gateway	
	F8520403	Wireless Harness	20 and 30 pound models through April 2019
	F8674003	Wireless Harness	20 and 30 pound models starting May 2019
	F8520404	Wireless Harness	40 and 60 pound models through April 2019
	F8674004	Wireless Harness	40 and 60 pound models starting May 2019
	F8662401	Wireless Kit	20 and 30 pound models through April 2019; Includes items 4, 5, F8520403 Wireless Harness and labels
	F8676001	Wireless Kit	20 and 30 pound models starting May 2019; Includes items 4, 5, F8674003 Wireless Harness and labels
	F8662402	Wireless Kit	40 and 60 pound models through April 2019; Includes items 4, 5, F8520404 Wireless Harness and labels
	F8676101	Wireless Kit	40 and 60 pound models through May 2019; Includes items 4, 5, F8520404 Wireless Harness and labels
<b>1</b>	202757	Transformer	B voltage with external supply
	202758	Transformer	N, P, Q, W, X and Y voltage with external supply
<b>2</b>	F8206901	Screw	
<b>3</b>	F8491101	Transformer	N and P voltage
<b>4</b>	430497	Screw	
<b>5</b>	203532	Wireless Network Control Assembly	Models through April 2019
	807211	Wireless Network Control Assembly	Models starting May 2019
<b>6</b>	70030501	Expansion Clip	
<b>7</b>	70347601	Wire Clip	External supply
<b>8</b>	M400003	Pop Rivet	
<b>9</b>	00622SG	Terminal	
<b>10</b>	F8449501	Wire Clip	
<b>11</b>	F8530701	Control Tray	
<b>12</b>	F8494101P	Input and Output Control Assembly	

# Flush Mount Coin Meter Assembly - Single Drop

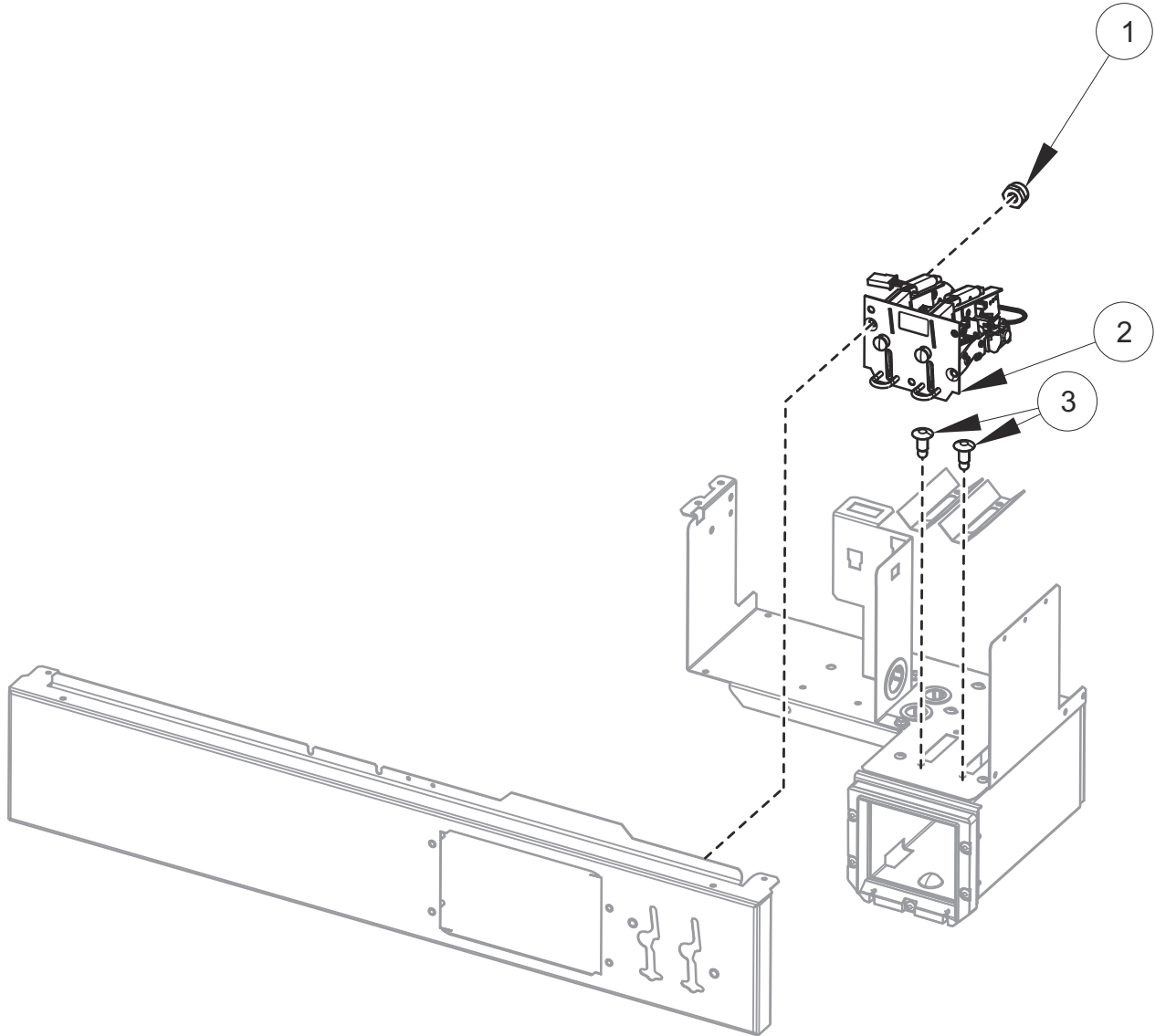


C-CHM6P7\_F8677101

## Flush Mount Coin Meter Assembly - Single Drop

REF	PART NO.	DESCRIPTION	COMMENTS
	38725	Coin Identification Paper	
	200674P	Opto Coupler	
<b>1</b>	685846	Nut	
<b>2</b>	70441601P	Coin Drop	U.S.A.; \$.25
	38475	Coin Drop Assembly	Japan; 100 yen
	38464P	Coin Drop Assembly	Canada; .25
	CK077	Coin Drop Kit	Taiwan; 10 NT
	70506901	Coin Drop Assembly	Singapore; \$1.00 NEW
	38462P	Coin Drop Assembly	Token; STD 118-1
	38463	Coin Drop Assembly	Token; STD 118-5
	38963P	Coin Drop	Token STD 118-16
	39748	Coin Drop	Jeton 08MS
	201141	Coin Drop Assembly	Token; Jeton wh121
	70471601	Coin Drop Assembly	Token; 7K
<b>3</b>	70058501	Pop Rivet	

# Flush Mount Coin Meter Assembly - Dual Drop

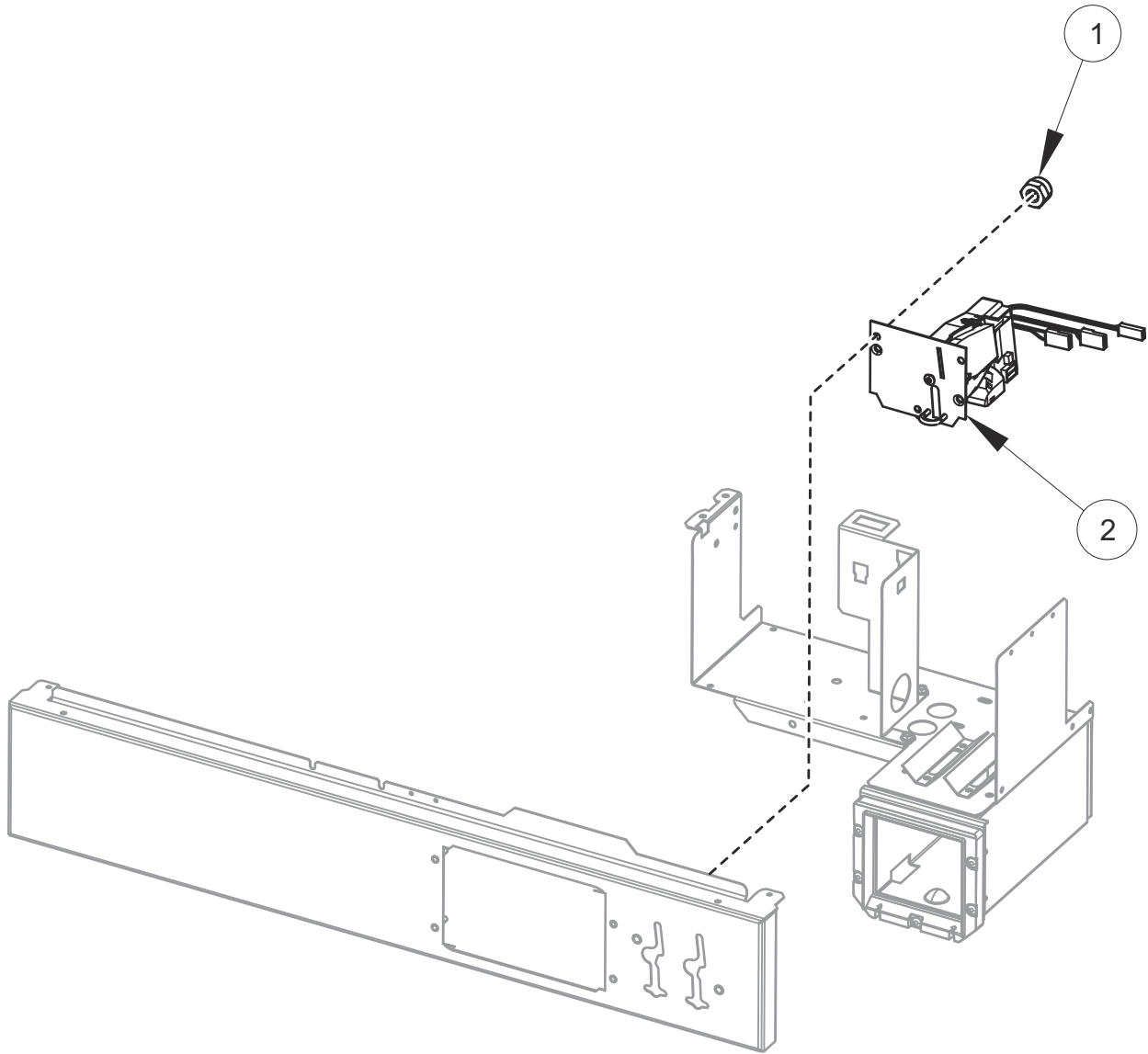


C-CHM6P8\_F8677101

## Flush Mount Coin Meter Assembly - Dual Drop

REF	PART NO.	DESCRIPTION	COMMENTS
	38725	Coin Identification Paper	
	200674P	Opto Coupler	
<b>1</b>	685846	Nut	
<b>2</b>	70441603	Coin Drop	U.S.A.; \$.25 and \$1.00
	38519	Coin Drop Assembly	Japan; 100 yen and 500 yen
	70441602	Coin Drop Assembly	Canada; .25 and \$1.00
	38467	Coin Drop Assembly	Australia; \$0.20 and \$1.00
	70447301	Coin Drop Assembly	Australia; \$1.00 and \$2.00
	70283102	Coin Drop Assembly	0.20 and 0.50 Euro
	210195	Coin Drop Assembly	0.20 and 1.00 Euro
	210196	Coin Drop Assembly	0.50 and 1.00 Euro
	F0160737-00	Coin Meter	0.50 and 2.00 Euro
	70281102	Coin Drop Assembly	Taiwan; 10 and 50 NT
	70482401	Coin Drop Assembly	New Zealand; \$1.00 and \$2.00
<b>3</b>	70058501	Pop Rivet	

# Electronic Coin Meter Assembly

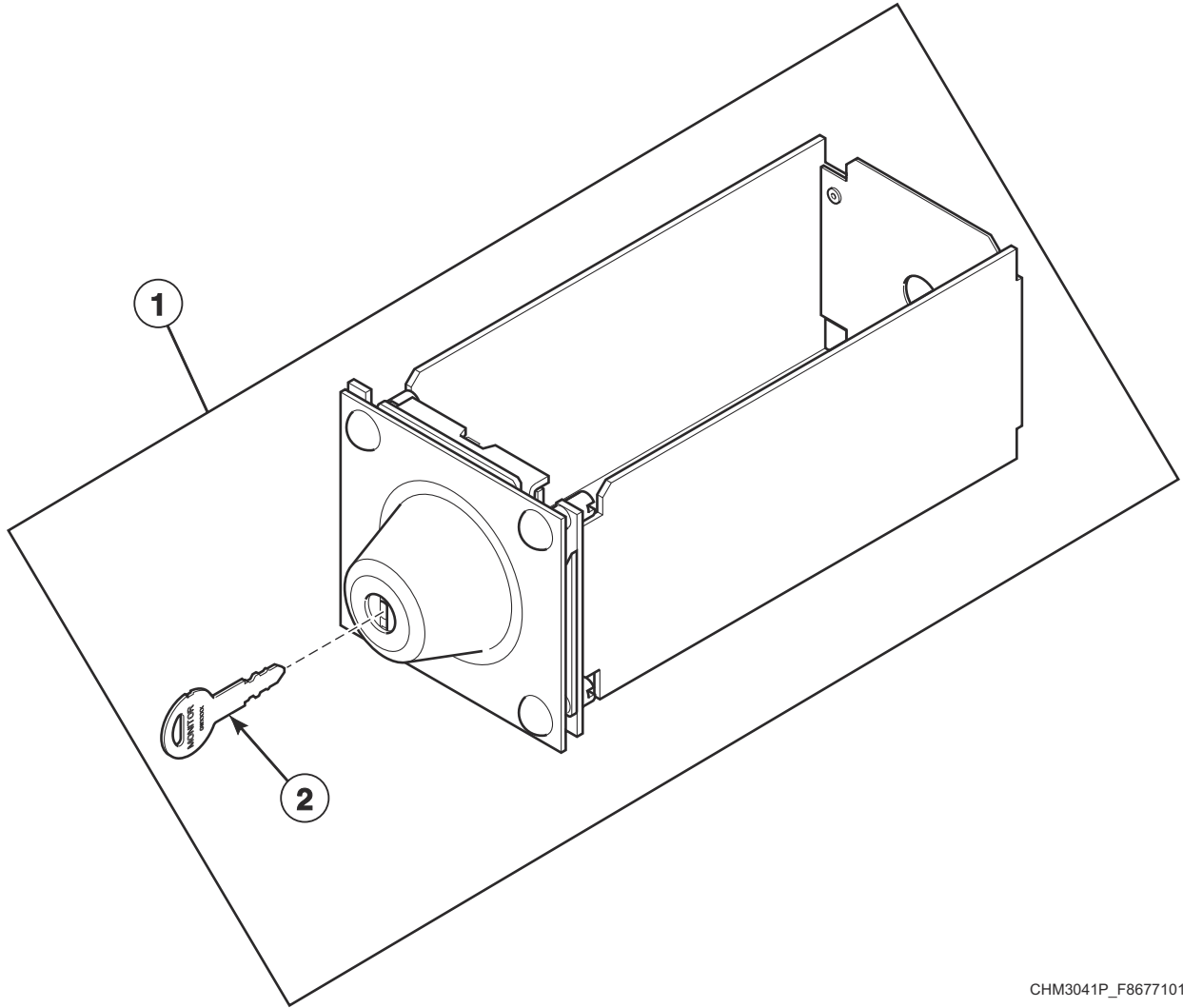


C-CHM6P6\_F8677101

# Electronic Coin Meter Assembly

REF	PART NO.	DESCRIPTION	COMMENTS
	38725	Coin Identification Paper	
	CK500	Electronic Coin Drop Kit	For use when installing Electronic Coin Drop Kits
	F8034701P	Pulse Expander Assembly	
<b>1</b>	F430215	Nut	
<b>2</b>	70513302	Electronic Coin Drop Assembly	Euro and Great Britain coins
	70513310	Electronic Coin Drop Assembly	Japan and Thailand coins
	70513304	Electronic Coin Drop Assembly	Australia, New Zealand, Hong Kong and South Korea coins
	70513303	Electronic Coin Drop Assembly	Denmark, Norway and Euro coins
	70513306	Electronic Coin Drop Assembly	Mexico, Ecuador and U.S.A. coins
	70294107	Electronic Coin Drop Assembly	Lithuania, Latvia and Euro coins
	70513311	Electronic Coin Drop Assembly	Chiang Malaysia coins
	70513308	Electronic Coin Drop Assembly	South African 1 and 5 rand coins
	70513309	Electronic Coin Drop Assembly	Euro coins
	70513312	Electronic Coin Drop Assembly	Russia coins
	70513313	Electronic Coin Drop Assembly	Philippines coins
	70513314	Electronic Coin Drop Assembly	Thailand coins
	70513315	Electronic Coin Drop Assembly	Chile coins
	70513316	Electronic Coin Drop Assembly	Singapore coins
	CK115	Electronic Coin Drop Kit	United States and Canada; Includes 38725 Coin Identification Paper
	CK099	Electronic Coin Drop Kit	Australia (default), New Zealand, Hong Kong, South Korea and Malaysia; Includes 38725 Coin Identification Paper
	CK100	Electronic Coin Drop Kit	United Kingdom (default) and Europe; Includes 38725 Coin Identification Paper
	CK101	Electronic Coin Drop Kit	Europe (default), Denmark and Norway; Includes 38725 Coin Identification Paper
	CK108	Electronic Coin Drop Kit	South Africa; Includes 38725 Coin Identification Paper
	CK109	Electronic Coin Drop Kit	Euro; Includes 38725 Coin Identification Paper
	CK110	Electronic Coin Drop Kit	Mexico (default), Ecuador and United States; Includes 38725 Coin Identification Paper
	CK113	Electronic Coin Drop Kit	Japan and Taiwan; Includes 38725 Coin Identification Paper
	CK116	Electronic Coin Drop Kit	Malaysia (default) and China; Includes 38725 Coin Identification Paper
	CK117	Electronic Coin Drop Kit	Russia; Includes 38725 Coin Identification Paper
	CK118	Electronic Coin Drop Kit	Philippine; Includes 38725 Coin Identification Paper
	CK119	Electronic Coin Drop Kit	Thailand; Includes 38725 Coin Identification Paper
	CK120	Electronic Coin Drop Kit	Chile; Includes 38725 Coin Identification Paper
	CK121	Electronic Coin Drop Kit	Singapore; Includes 38725 Coin Identification Paper
	CK122	Coin Drop Kit	New Zealand; 1.00 and 2.00; Includes 38725 Coin Identification Paper

# Optional Coin Box



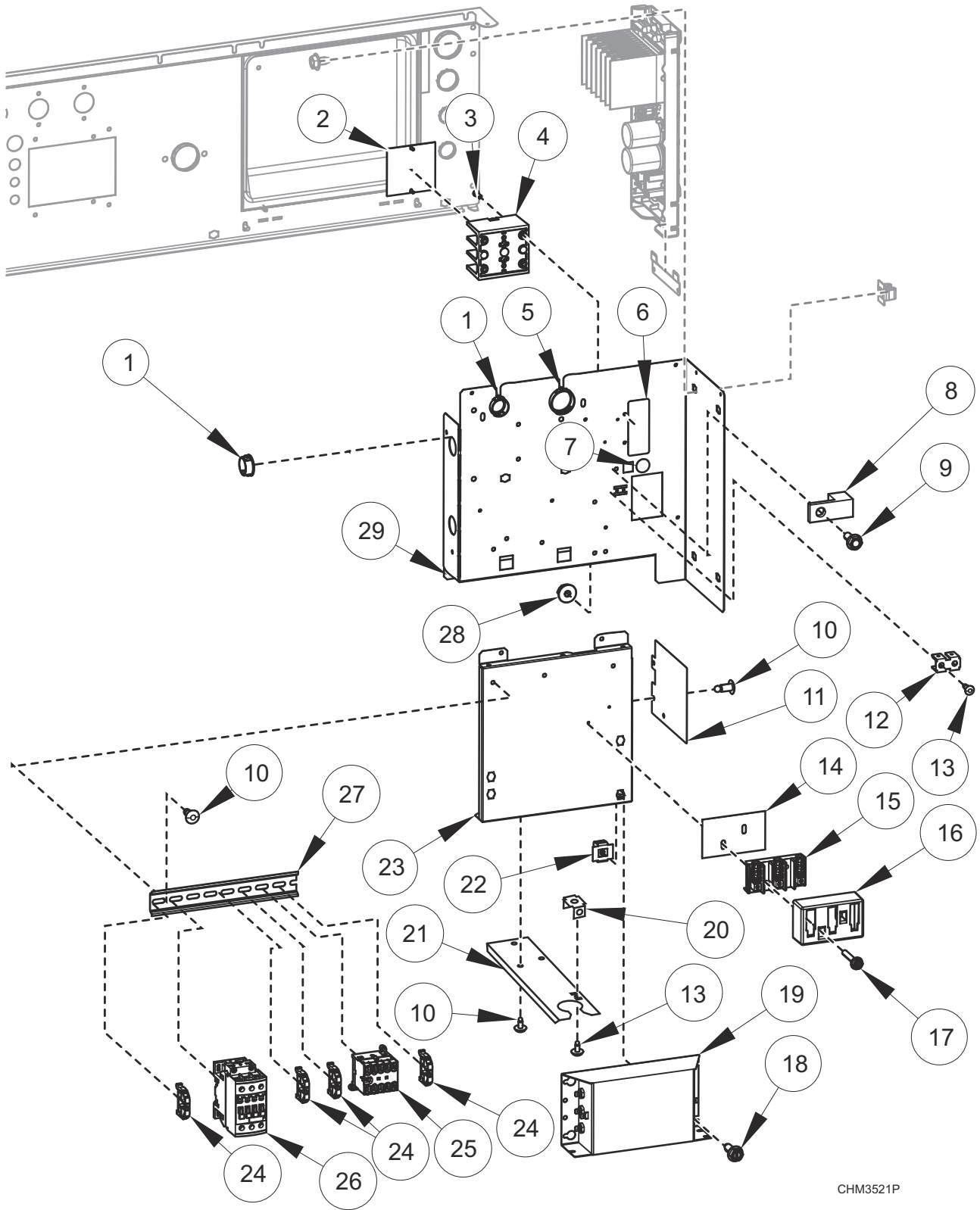
CHM3041P\_F8677101



# Optional Coin Box

REF	PART NO.	DESCRIPTION	COMMENTS
1	F8182001	Coin Drawer Assembly	
2	F160420	Key	GW0023

# Inverter Drive Box - 20 and 30 Pound Models with B Voltage

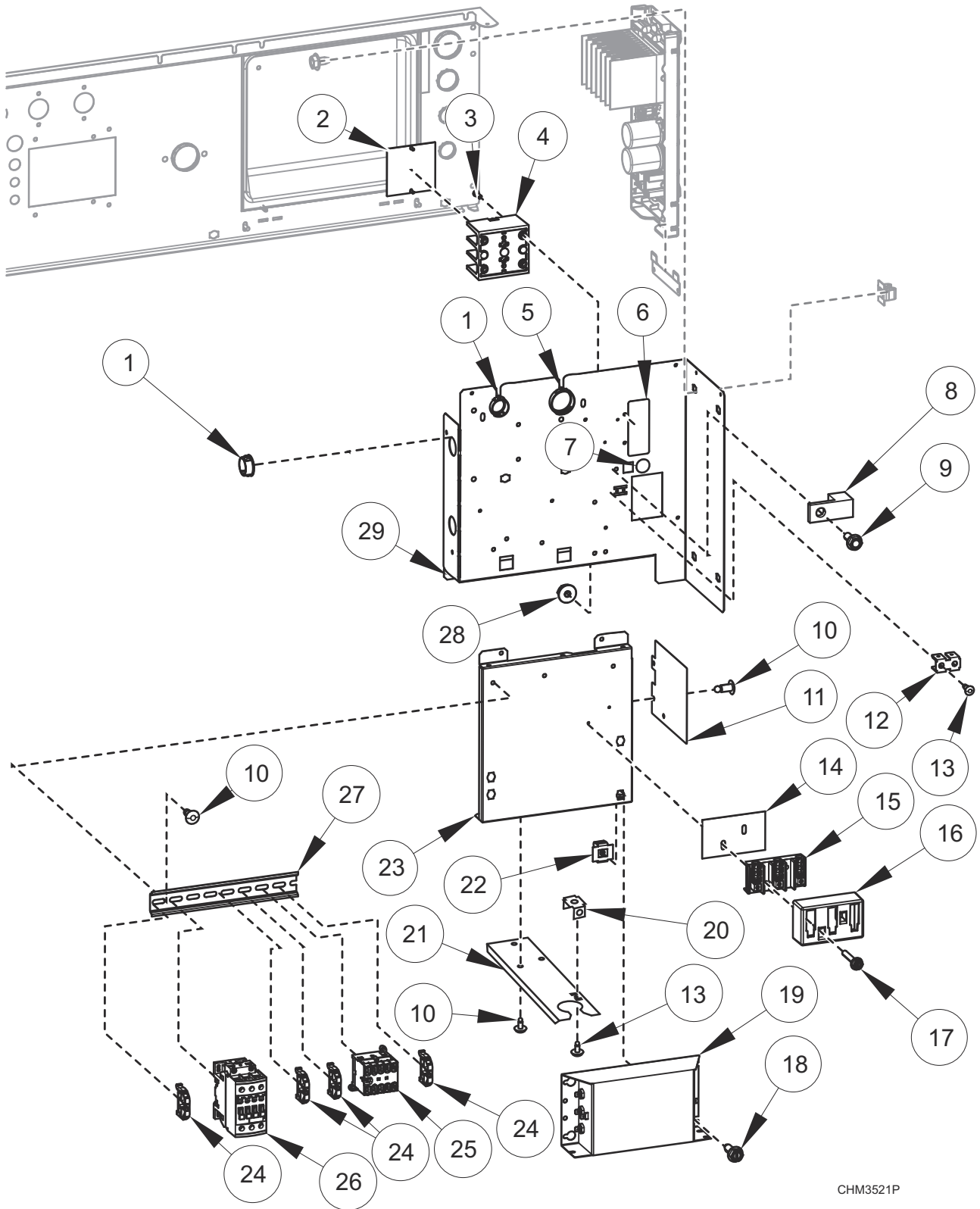


CHM3521P

## Inverter Drive Box - 20 and 30 Pound Models with B Voltage

REF	PART NO.	DESCRIPTION	COMMENTS
	F8567001	Drive Panel Base Assembly	Includes items 10-13, 21, 25 and 27
	F8662801	Filter Kit	Includes items 1, 14-20, harnesses and labels
	F8518405	Harness	Power TB1
	F8518604	Harness	Power drive
	F8528001	Harness	TB filter
	F8528002	Harness	PDB filter; Electric heat
	F8528004	Harness	TB Filter
	F8528006	Harness	TB2 Filter
	F8619101	Power Harness	Power contactor; Electric heat
	F8619102	Harness	Power contactor; Electric heat
<b>1</b>	F140938	Snap Bushing	
<b>2</b>	44014901P	Power Distribution Block Cover	Electric heat
<b>3</b>	39733	Screw	Electric heat
<b>4</b>	M413865	Power Distribution Block	Electric heat
<b>5</b>	70346501	Bushing	
<b>6</b>	44286801	Label	Power input; L1, N
<b>7</b>	D516100	Label	
<b>8</b>	M411283	Ground Lug Connector	
<b>9</b>	685837	Screw	
<b>10</b>	70058501	Pop Rivet	
<b>11</b>	F8616901	Drive Shield	
<b>12</b>	00622SG	Terminal	
<b>13</b>	M400003	Pop Rivet	
<b>14</b>	M413862	Insulator	
<b>15</b>	430642	Terminal Block	
<b>16</b>	70333001	Terminal Block Shield	
<b>17</b>	51783	Screw	
<b>18</b>	F8206901	Screw	
<b>19</b>	F8591601	EMI Filter	
<b>20</b>	00621SG	Male Tab Terminal	
<b>21</b>	F8744301	Harness Support Bracket	
<b>22</b>	70030501	Expansion Clip	
<b>23</b>	F8530901	Contactory Tray	
<b>24</b>	F8449801	End Stop	
<b>25</b>	70482601	Contactory	5.5kW/500V; 24VDC
<b>26</b>	70482701	Contactory	50A; 24VDC
<b>27</b>	M412689	DIN Rail	7.5 mm x 35 mm x 8.364 inch
<b>28</b>	44088001	Nut	
<b>29</b>	F8530801	Drive Terminal Tray	

# Inverter Drive Box - 20 and 30 Pound Models with N, P, Q, W, X and Y Voltage

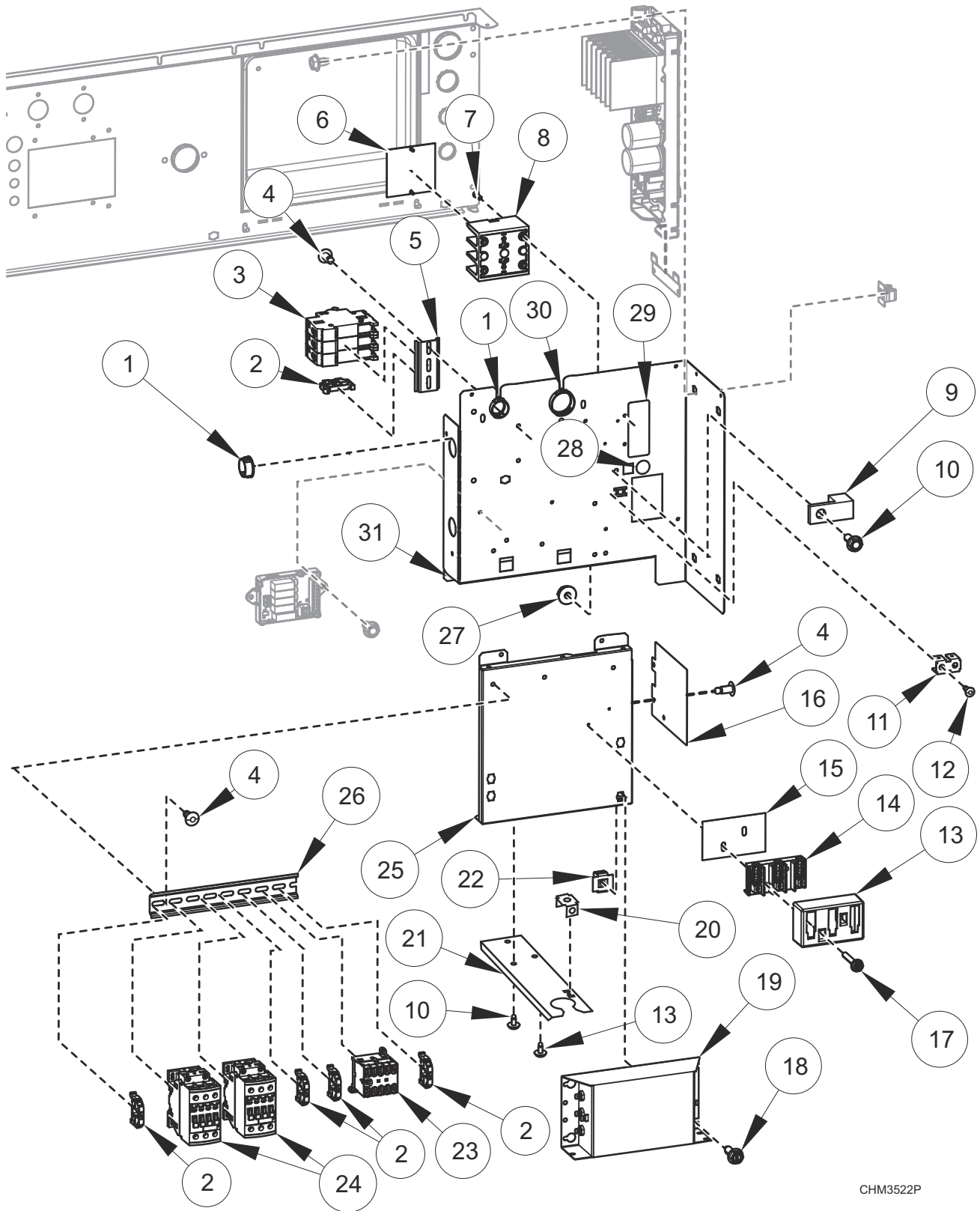


CHM3521P

## Inverter Drive Box - 20 and 30 Pound Models with N, P, Q, W, X and Y Voltage

REF	PART NO.	DESCRIPTION	COMMENTS
	F8567001	Drive Panel Base Assembly	Includes items 10-13, 21, 25 and 27
	F8518401	Harness	Power TB1; W, X and Y voltage
	F8518501	Harness	Power TB1; N and P voltage
	F8518502	Harness	Power PDB; N and P voltage; Electric heat
	F8518402	Harness	Power PDB; Q voltage; Electric heat
	F8518404	Harness	Power filter; Q, W, X, and Y voltage
	F8518504	Harness	Power filter; N and P voltage
	F8518605	Harness	Power drive; Q, W, X, and Y voltage
	F8518606	Harness	Power drive; N and P voltage
	F8528001	Harness	TB filter
	F8528002	Harness	PDB filter; Electric heat
	F8528005	Harness	TB2 Filter; N, P, Q, W, X, and Y voltage
	F8619101	Power Harness	Power contactor; Electric heat
	F8619102	Harness	Power contactor; Electric heat
	F8662809	Filter Kit	Includes items 1, 14-20, harnesses and labels; Q voltage; Electric heat
	F8662810	Filter Kit	Includes items 1, 14-20, harnesses and labels; N and P voltage; Electric heat
	F8662803	Filter Kit	Includes items 1, 14-20, harnesses and labels; W, X and Y voltage
	F8662805	Filter Kit	Includes items 1, 14-20, harnesses and labels; N and P voltage
<b>1</b>	F140938	Snap Bushing	
<b>2</b>	44014901P	Power Distribution Block Cover	Electric heat
<b>3</b>	39733	Screw	Electric heat
<b>4</b>	M413865	Power Distribution Block	Electric heat
<b>5</b>	70346501	Bushing	
<b>6</b>	44286803	Label	Power input; L1, L2, L3; N and P voltage
	44286804	Wire Label	Power input; L1, L2/N; L1, L2, L3; W, X and Y voltage
<b>7</b>	D516100	Label	
<b>8</b>	M411283	Ground Lug Connector	
<b>9</b>	685837	Screw	
<b>10</b>	70058501	Pop Rivet	
<b>11</b>	F8616901	Drive Shield	
<b>12</b>	00622SG	Terminal	
<b>13</b>	M400003	Pop Rivet	
<b>14</b>	M413862	Insulator	
<b>15</b>	430642	Terminal Block	
<b>16</b>	70333001	Terminal Block Shield	
<b>17</b>	51783	Screw	
<b>18</b>	F8206901	Screw	
<b>19</b>	F8591801	EMI Filter	
	F8637501	EMI Filter	
<b>20</b>	00621SG	Male Tab Terminal	
<b>21</b>	F8744301	Harness Support Bracket	
<b>22</b>	70030501	Expansion Clip	
<b>23</b>	F8530901	Contactor Tray	
<b>24</b>	F8449801	End Stop	
<b>25</b>	70482601	Contactor	5.5kW/500V; 24VDC
<b>26</b>	70482701	Contactor	50A; 24VDC
<b>27</b>	M412689	DIN Rail	7.5 mm x 35 mm x 8.364 inch
<b>28</b>	44088001	Nut	
<b>29</b>	F8530801	Drive Terminal Tray	

# Inverter Drive Box - 40 Pound Models with B Voltage

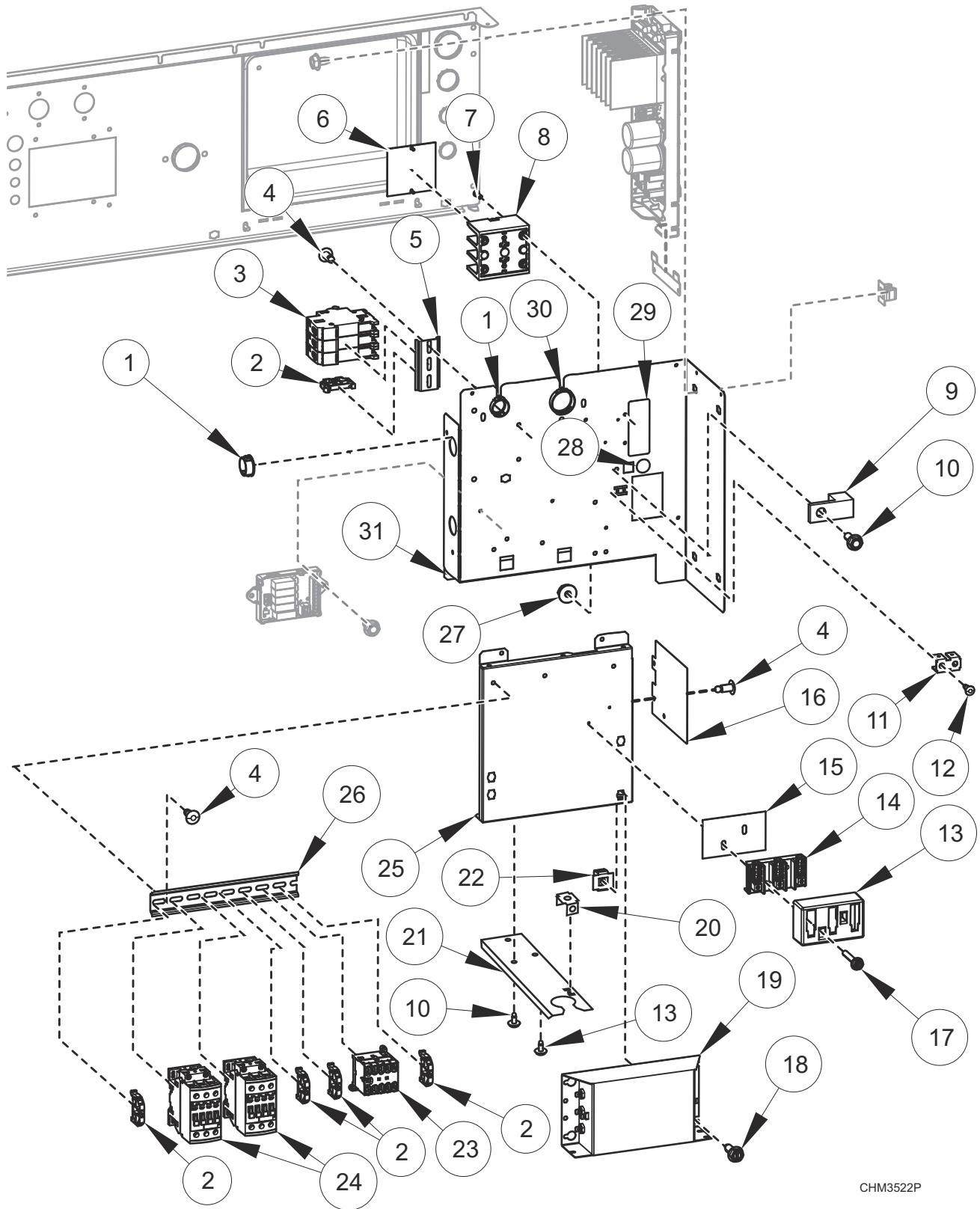


CHM3522P

## Inverter Drive Box - 40 Pound Models with B Voltage

REF	PART NO.	DESCRIPTION	COMMENTS
	F8567001	Drive Panel Base Assembly	Includes items 4, 11, 12, 16, 23, 24 and 29
	F8567002	Drive Panel Base Assembly	Electric heat; Includes items 4, 5, 11, 12, 16, 23, 24 and 29
	F8583501	Jumper	Circuit breaker jumper; Electric heat
	F8518405	Harness	Power TB1
	F8518604	Harness	Power drive
	F8528001	Harness	TB filter
	F8528003	Harness	CB filter; Electric heat
	F8528004	Harness	TB filter
	F8528006	Harness	TB2 filter
	F8619101	Power Harness	Power contactor; Electric heat
	F8619102	Harness	Power contactor; Electric heat
	F8662802	Filter Kit	Includes items 1, 14, 15, 17-20, harnesses and labels; B voltage
<b>1</b>	F140938	Snap Bushing	
<b>2</b>	F8449801	End Stop	
<b>3</b>	70488101	Circuit Breaker	3P; 25A; Electric heat
<b>4</b>	70058501	Pop Rivet	
<b>5</b>	B12315401	DIN Rail	7.5 mm x 35 mm x 72 mm; Electric heat
<b>6</b>	44014901P	Power Distribution Block Cover	Electric heat
<b>7</b>	39733	Screw	Electric heat
<b>8</b>	M413865	Power Distribution Block	Electric heat
<b>9</b>	M411283	Ground Lug Connector	
<b>10</b>	685837	Screw	
<b>11</b>	00622SG	Terminal	
<b>12</b>	M400003	Pop Rivet	
<b>13</b>	70333001	Terminal Block Shield	
<b>14</b>	430642	Terminal Block	
<b>15</b>	M413862	Insulator	
<b>16</b>	F8616901	Drive Shield	
<b>17</b>	51783	Screw	
<b>18</b>	F8206901	Screw	
<b>19</b>	F8591601	EMI Filter	
<b>20</b>	00621SG	Male Tab Terminal	IEC models
<b>21</b>	F8744301	Harness Support Bracket	IEC models
<b>22</b>	70030501	Expansion Clip	
<b>23</b>	70482601	Contactors	5.5kW/500V; 24VDC; Electric heat
<b>24</b>	70482701	Contactors	50A; 24VDC
<b>25</b>	F8530901	Contactors Tray	
<b>26</b>	M412689	DIN Rail	7.5 mm x 35 mm x 8.364 inch
<b>27</b>	44088001	Nut	
<b>28</b>	D516100	Label	
<b>29</b>	44286801	Label	Power input; L1, N
<b>30</b>	70346501	Bushing	
<b>31</b>	F8530801	Drive Terminal Tray	

# Inverter Drive Box - 40 Pound Models with N, P, Q, W, X and Y Voltage



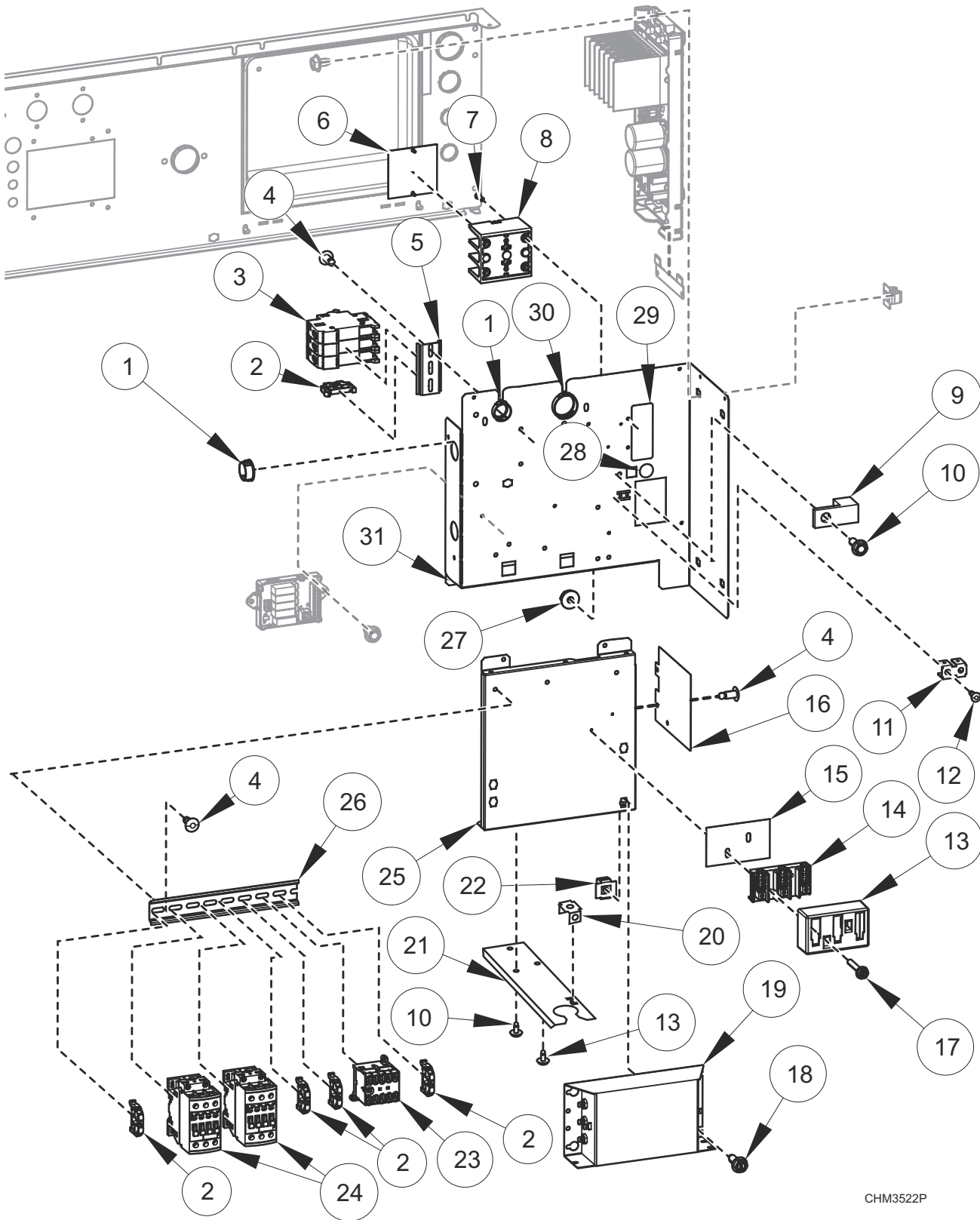
CHM3522P



## Inverter Drive Box - 40 Pound Models with N, P, Q, W, X and Y Voltage

REF	PART NO.	DESCRIPTION	COMMENTS
	F8567001	Drive Panel Base Assembly	Includes items 4, 11, 12, 16, 23, 24 and 29
	F8567002	Drive Panel Base Assembly	Electric heat; Includes items 4, 5, 11, 12, 16, 23, 24 and 29
	F8583501	Jumper	Circuit breaker jumper; Electric heat
	F8518401	Harness	Power TB1; W, X and Y voltage
	F8518501	Harness	Power TB1; N and P voltage
	F8518504	Harness	Power filter; N and P voltage
	F8518605	Harness	Power drive; Q, W, X, and Y voltage
	F8518606	Harness	Power drive; N and P voltage
	F8528001	Harness	TB filter
	F8528003	Harness	CB filter; Electric heat
	F8528005	Harness	TB2 Filter; N, P, Q, W, X, and Y voltage
	F8518503	Harness	Power CB; N and P voltage; Electric heat
	F8518403	Harness	Power CB; Q voltage; Electric heat
	F8619101	Power Harness	Power contactor; Electric heat
	F8619102	Harness	Power contactor; Electric heat
	F8662811	Filter Kit	Includes items 1, 14, 15, 17-20, harnesses and labels; Q voltage; Electric heat
	F8662812	Filter Kit	Includes items 1, 14, 15, 17-20, harnesses and labels; N and P voltage; Electric heat
	F8662804	Filter Kit	Includes items 1, 14, 15, 17-20, harnesses and labels; W, X and Y voltage
	F8662806	Filter Kit	Includes items 1, 14, 15, 17-20, harnesses and labels; N and P voltage
<b>1</b>	F140938	Snap Bushing	
<b>2</b>	F8449801	End Stop	
<b>3</b>	70488101	Circuit Breaker	3P; 25A; Electric heat
<b>4</b>	70058501	Pop Rivet	
<b>5</b>	B12315401	DIN Rail	7.5 mm x 35 mm x 72 mm; Electric heat
<b>6</b>	44014901P	Power Distribution Block Cover	Electric heat
<b>7</b>	39733	Screw	Electric heat
<b>8</b>	M413865	Power Distribution Block	Electric heat
<b>9</b>	M411283	Ground Lug Connector	
<b>10</b>	685837	Screw	
<b>11</b>	00622SG	Terminal	
<b>12</b>	M400003	Pop Rivet	
<b>13</b>	70333001	Terminal Block Shield	
<b>14</b>	430642	Terminal Block	
<b>15</b>	M413862	Insulator	
<b>16</b>	F8616901	Drive Shield	
<b>17</b>	51783	Screw	
<b>18</b>	F8206901	Screw	
<b>19</b>	F8591801	EMI Filter	Q, W, X and Y voltage
	F8637501	EMI Filter	N and P voltage
<b>20</b>	00621SG	Male Tab Terminal	IEC models
<b>21</b>	F8744301	Harness Support Bracket	IEC models
<b>22</b>	70030501	Expansion Clip	
<b>23</b>	70482601	Contactors	5.5kW/500V; 24VDC; Electric heat
<b>24</b>	70482701	Contactors	50A; 24VDC
<b>25</b>	F8530901	Contactors Tray	
<b>26</b>	M412689	DIN Rail	7.5 mm x 35 mm x 8.364 inch
<b>27</b>	44088001	Nut	
<b>28</b>	D516100	Label	
<b>29</b>	44286803	Label	Power input; L1, L2, L3; N and P voltage
	44286804	Wire Label	Power input; L1, L2/N; L1, L2, L3; W, X and Y voltage
<b>30</b>	70346501	Bushing	
<b>31</b>	F8530801	Drive Terminal Tray	

# Inverter Drive Box - 60 Pound Models with Q and X Voltage

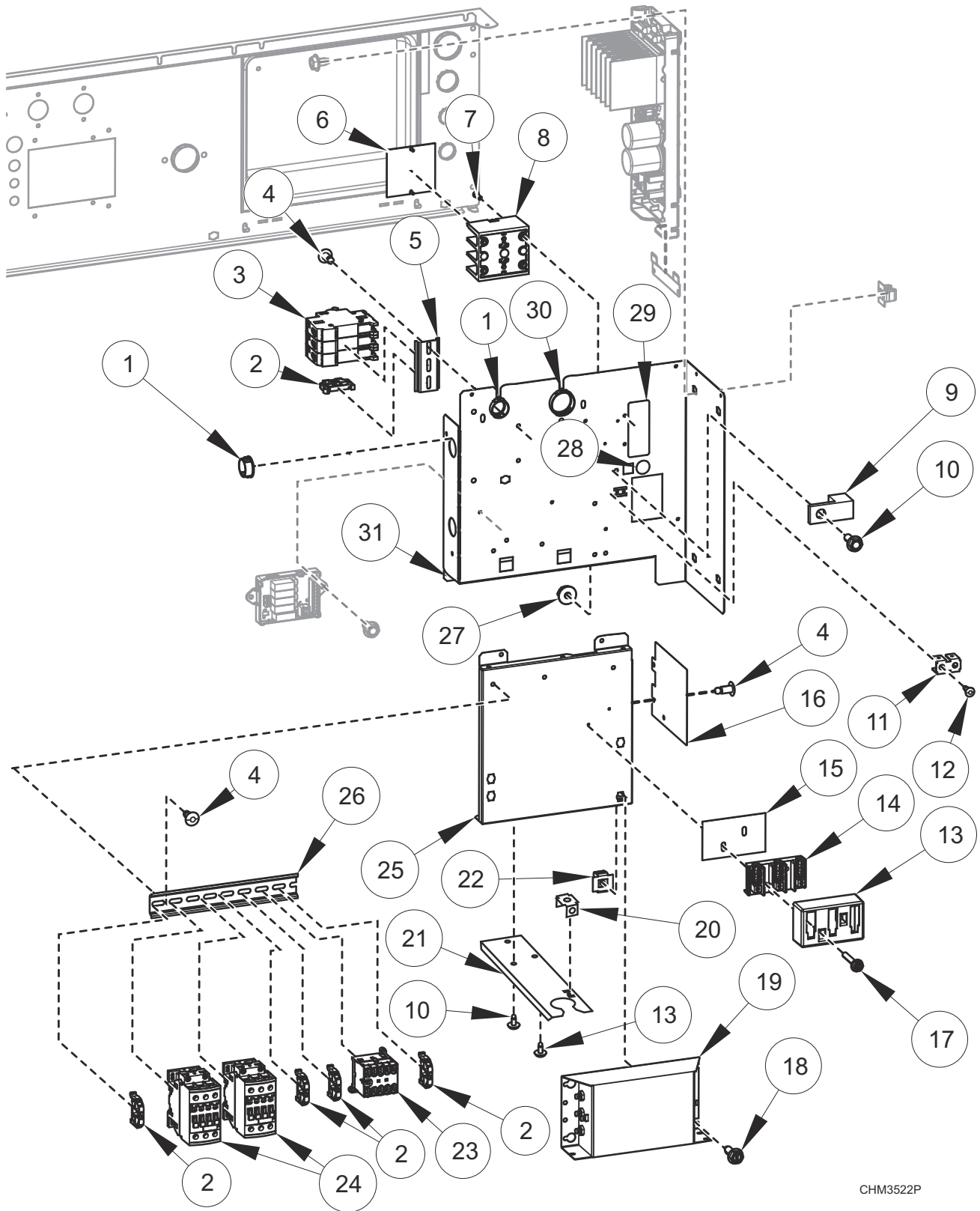


CHM3522P

## Inverter Drive Box - 60 Pound Models with Q and X Voltage

REF	PART NO.	DESCRIPTION	COMMENTS
	F8567003	Drive Panel Base Assembly	Includes items 4, 11, 12, 16, 23, 24 and 29
	F8567004	Drive Panel Base Assembly	Electric heat; Includes items 4, 5, 11, 12, 16, 23, 24 and 29
	F8583501	Jumper	Circuit breaker jumper; Electric heat
	F8518401	Harness	Power TB1; X voltage
	F8518404	Harness	Power filter
	F8518607	Harness	Power drive
	F8528001	Harness	TB filter
	F8528003	Harness	CB filter; Electric heat
	F8528005	Harness	TB2 Filter
	F8518403	Harness	Power CB; Q voltage; Electric heat
	F8619101	Power Harness	Power contactor; Electric heat
	F8619102	Harness	Power contactor; Electric heat
	F8662811	Filter Kit	Includes items 1, 14, 15, 17-20, harnesses and labels; Q voltage; Electric heat
	F8662804	Filter Kit	Includes items 1, 14, 15, 17-20, harnesses and labels; X voltage
<b>1</b>	F140938	Snap Bushing	
<b>2</b>	F8449801	End Stop	
<b>3</b>	70488101	Circuit Breaker	3P; 25A; Electric heat
<b>4</b>	70058501	Pop Rivet	
<b>5</b>	B12315401	DIN Rail	7.5 mm x 35 mm x 72 mm; Electric heat
<b>6</b>	44014901P	Power Distribution Block Cover	Electric heat
<b>7</b>	39733	Screw	Electric heat
<b>8</b>	M413865	Power Distribution Block	Electric heat
<b>9</b>	M411283	Ground Lug Connector	
<b>10</b>	685837	Screw	
<b>11</b>	00622SG	Terminal	
<b>12</b>	M400003	Pop Rivet	
<b>13</b>	70333001	Terminal Block Shield	
<b>14</b>	430642	Terminal Block	
<b>15</b>	M413862	Insulator	
<b>16</b>	F8616901	Drive Shield	
<b>17</b>	51783	Screw	
<b>18</b>	F8206901	Screw	
<b>19</b>	F8591801	EMI Filter	
<b>20</b>	00621SG	Male Tab Terminal	IEC models
<b>21</b>	F8744301	Harness Support Bracket	IEC models
<b>22</b>	70030501	Expansion Clip	
<b>23</b>	70482601	Contactora	5.5kW/500V; 24VDC
<b>24</b>	70482701	Contactora	50A; 24VDC
<b>25</b>	F8530901	Contactora Tray	
<b>26</b>	M412689	DIN Rail	7.5 mm x 35 mm x 8.364 inch
<b>27</b>	44088001	Nut	
<b>28</b>	D516100	Label	
<b>29</b>	44286804	Wire Label	Power input; L1, L2/N; L1, L2, L3; X voltage
<b>30</b>	70346501	Bushing	
<b>31</b>	F8530803	Drive Terminal Tray	

# Inverter Drive Box - 60 Pound Models with N and P Voltage

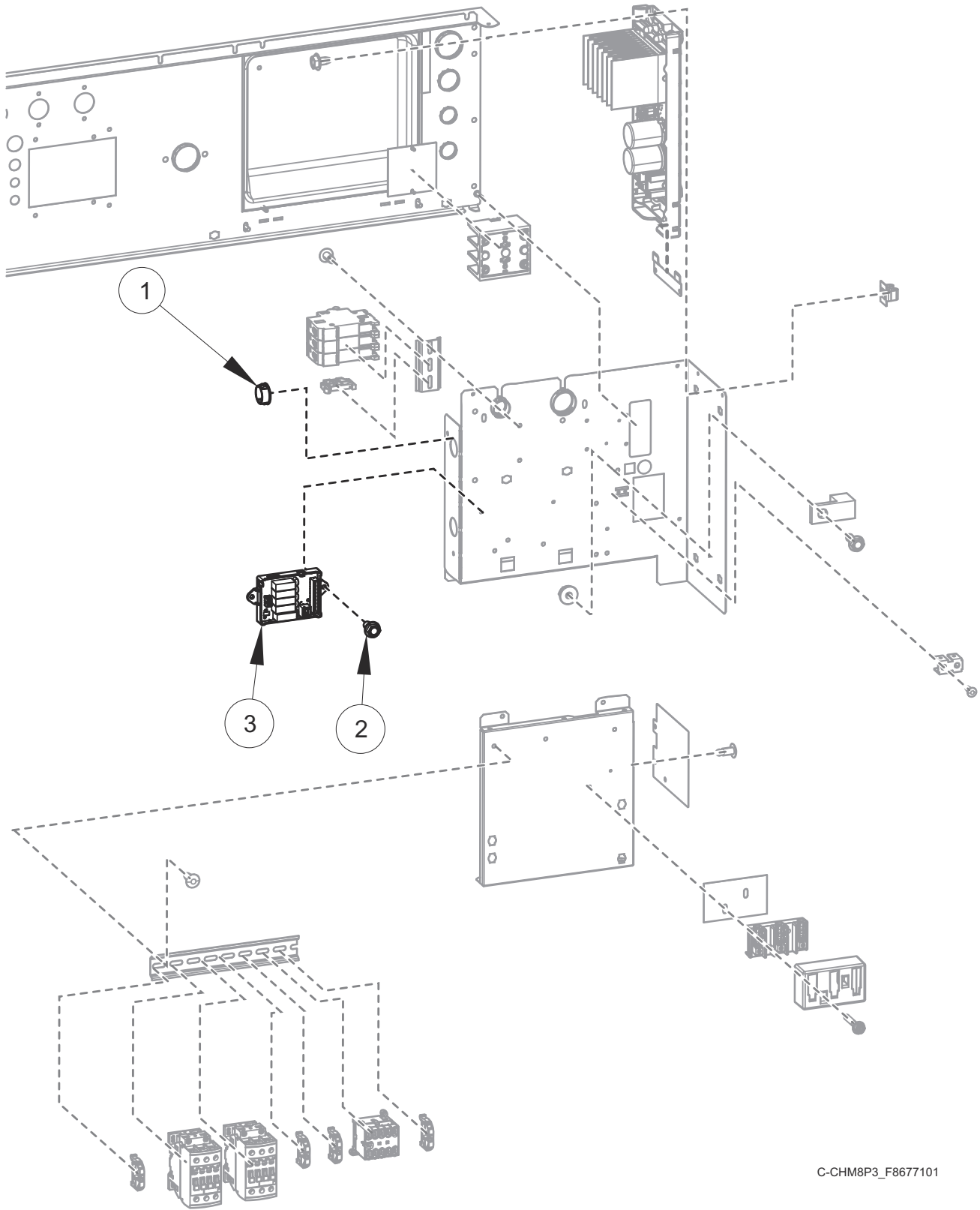


CHM3522P

## Inverter Drive Box - 60 Pound Models with N and P Voltage

REF	PART NO.	DESCRIPTION	COMMENTS
	F8567003	Drive Panel Base Assembly	Includes items 4, 11, 12, 16, 23, 24 and 29
	F8567004	Drive Panel Base Assembly	Electric heat; Includes items 4, 5, 11, 12, 16, 23, 24 and 29
	F8583501	Jumper	Circuit breaker jumper; Electric heat
	F8518501	Harness	Power TB1; N and P voltage
	F8518503	Harness	Power CB; Electric heat
	F8518504	Harness	Power filter
	F8518606	Harness	Power drive
	F8528001	Harness	TB filter
	F8528003	Harness	CB filter; Electric heat
	F8528005	Harness	TB2 Filter
	F8619101	Power Harness	Power contactor; Electric heat
	F8619102	Harness	Power contactor; Electric heat
	F8662812	Filter Kit	Includes items 1, 14, 15, 17-20, harnesses and labels; Electric heat
	F8662806	Filter Kit	Includes items 1, 14, 15, 17-20, harnesses and labels
<b>1</b>	F140938	Snap Bushing	
<b>2</b>	F8449801	End Stop	
<b>3</b>	70488101	Circuit Breaker	3P; 25A; Electric heat
<b>4</b>	70058501	Pop Rivet	
<b>5</b>	B12315401	DIN Rail	7.5 mm x 35 mm x 72 mm; Electric heat
<b>6</b>	44014901P	Power Distribution Block Cover	Electric heat
<b>7</b>	39733	Screw	Electric heat
<b>8</b>	M413865	Power Distribution Block	Electric heat
<b>9</b>	M411283	Ground Lug Connector	
<b>10</b>	685837	Screw	
<b>11</b>	00622SG	Terminal	
<b>12</b>	M400003	Pop Rivet	
<b>13</b>	70333001	Terminal Block Shield	
<b>14</b>	430642	Terminal Block	
<b>15</b>	M413862	Insulator	
<b>16</b>	F8616901	Drive Shield	
<b>17</b>	51783	Screw	
<b>18</b>	F8206901	Screw	
<b>19</b>	F8637501	EMI Filter	
<b>20</b>	00621SG	Male Tab Terminal	IEC models
<b>21</b>	F8744301	Harness Support Bracket	IEC models
<b>22</b>	70030501	Expansion Clip	
<b>23</b>	70482601	Contactors	5.5kW/500V; 24VDC
<b>24</b>	70482701	Contactors	50A; 24VDC
<b>25</b>	F8530901	Contactors Tray	
<b>26</b>	M412689	DIN Rail	7.5 mm x 35 mm x 8.364 inch
<b>27</b>	44088001	Nut	
<b>28</b>	D516100	Label	
<b>29</b>	44286803	Label	Power input; L1, L2, L3
<b>30</b>	70346501	Bushing	
<b>31</b>	F8530803	Drive Terminal Tray	

# External Supply Kit

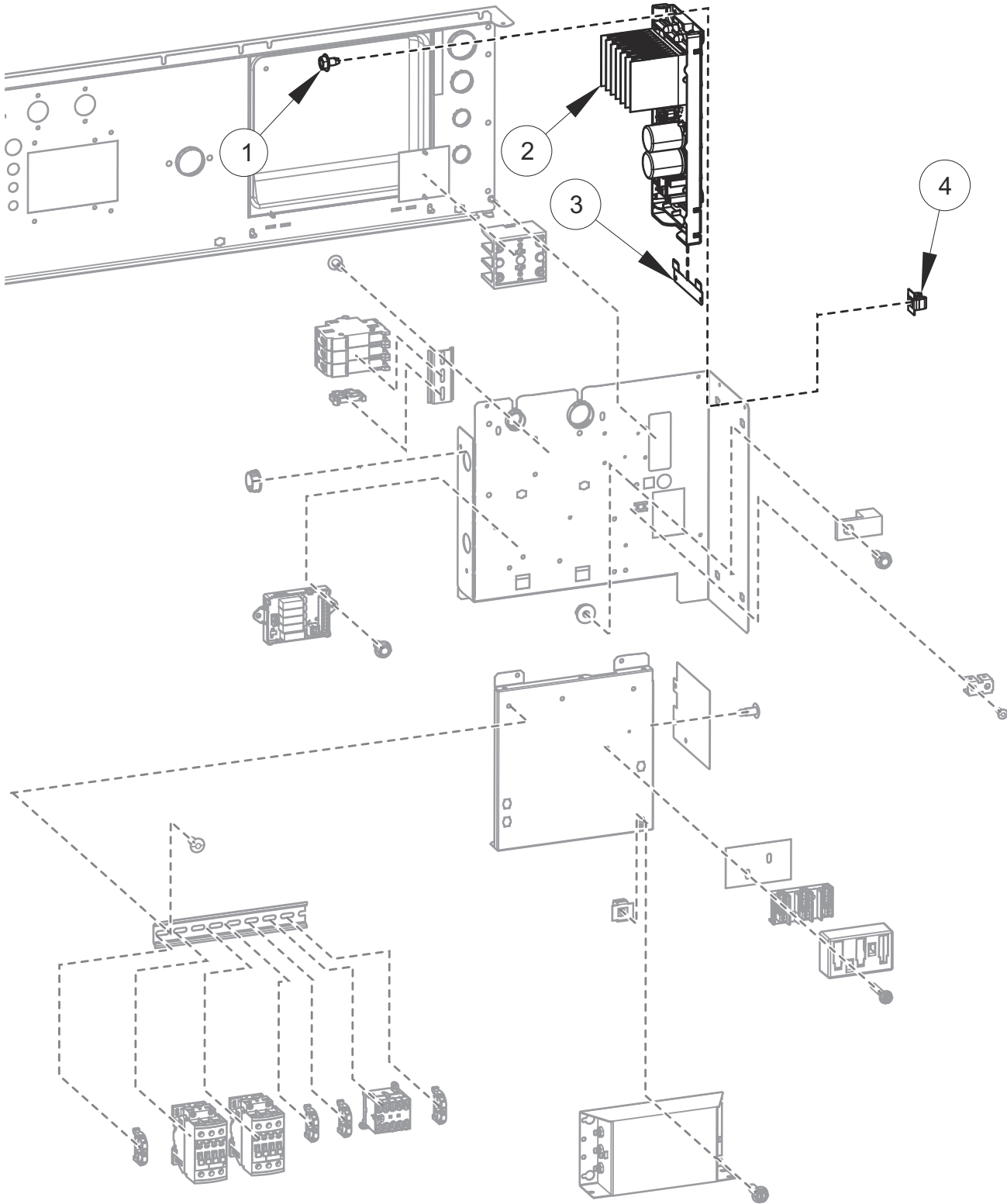


C-CHM8P3\_F8677101

## External Supply Kit

REF	PART NO.	DESCRIPTION	COMMENTS
	F8520601	Harness	Communication; 20 and 30 pound models
	F8520602	Harness	Communication; 40 and 60 pound models
	F8528203	Harness	Power; B voltage
	F8528204	Harness	Power; N, P, Q, W, X and Y voltage
	F8662501	External Supply Kit	20 and 30 pound card ready models with B voltage; Includes items 1-3, F8520601 Harness, F8528203 Harness and labels; 4 out
	F8662502	External Supply Kit	40 pound card ready models with B voltage; Includes items 1-3, F8520602 Harness, F8528203 Harness and labels; 4 out
	F8662503	External Supply Kit	20 and 30 pound card ready models with N, P, Q and X voltage; Includes items 1-3, F8520601 Harness, F8528204 Harness and labels; 4 out
	F8662504	External Supply Kit	40 and 60 pound card ready models with N, P, Q and X voltage; Includes items 1-3, F8520602 Harness, F8528204 Harness and labels; 4 out
	F8662505	External Supply Kit	20 and 30 pound coin and central pay models with B voltage; Includes items 1-3, 202757 Transformer, F8520601 Harness, F8528203 Harness, hardware and labels; 4 out
	F8662506	External Supply Kit	40 pound coin and central pay models with B voltage; Includes items 1-3, 202757 Transformer, F8520601 Harness, F8528203 Harness, hardware and labels; 4 out
	F8662507	External Supply Kit	20 and 30 pound coin and central pay models with N, P, Q and X voltage; Includes items 1-3, 202758 Transformer, F8520601 Harness, F8528204 Harness, hardware and labels; 4 out
	F8662508	External Supply Kit	40 and 60 pound coin and central pay models with N, P, Q and X voltage; Includes items 1-3, F8520602 Harness, F8528204 Harness, hardware and labels; 4 out
<b>1</b>	F140938	Snap Bushing	
<b>2</b>	430497	Screw	
<b>3</b>	804528	Chemical Injection Control	5 output
	70493102	Connector	9 pin; H2

# Inverter Drive



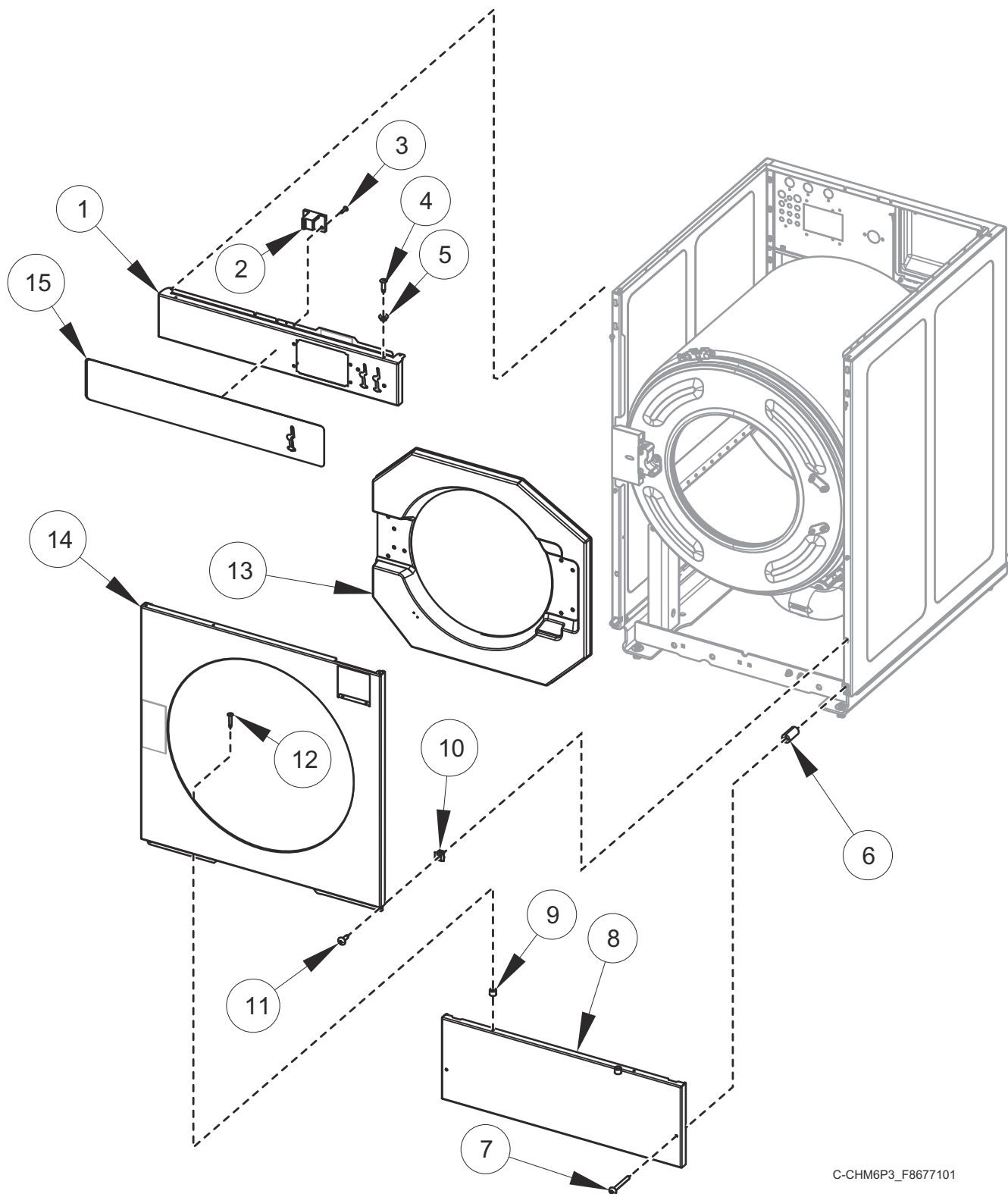
C-CHM2P22\_F8677101



## Inverter Drive

REF	PART NO.	DESCRIPTION	COMMENTS
	F8519202	Drive Communication Harness	20 and 30 pound models; 40 and 60 pound models with N and P voltage; Electric heat
	F8519203	Drive Communication Harness	40 and 60 pound models Q voltage; Electric heat
	F8519201	Drive Communication Harness	Standard
	F8519204	Drive Communication Harness	Steam heat
	F8518605	Harness	Power drive; 20, 30 and 40 pound models with Q, W, X and Y voltage; EMI filter
	F8518607	Harness	60 pound models models with Q and X voltage; EMI filter
	F8518606	Harness	Power drive; N and P voltage; EMI filter
	F8518602	Drive Power Harness	Q, W, X and Y voltage
	F8518603	Drive Power Harness	N and P voltage
	F8518601	Drive Power Harness	B voltage
<b>1</b>	D503688	Screw	
<b>2</b>	F8496001	Drive Assembly	20, 30 and 40 pound models; N and P voltage; 2 hp; 480 Volt
	F8495401P	Drive Assembly	20, 30 and 40 pound models; B, Q, W X and Y voltage; 2 hp; 120/240 Volt
	F8496301P	Drive Assembly	60 pound models; Q and X voltage; 3 hp; 240 Volt
	F8496901	Drive Assembly	60 pound models; N and P voltage; 5 hp; 480 Volt
<b>3</b>	F8322401	Drive Mounting Bracket	2 included with N and P voltage
<b>4</b>	70030501	Expansion Clip	

# Front Panels and Control Panel - Coin Models - Design 4 and 6

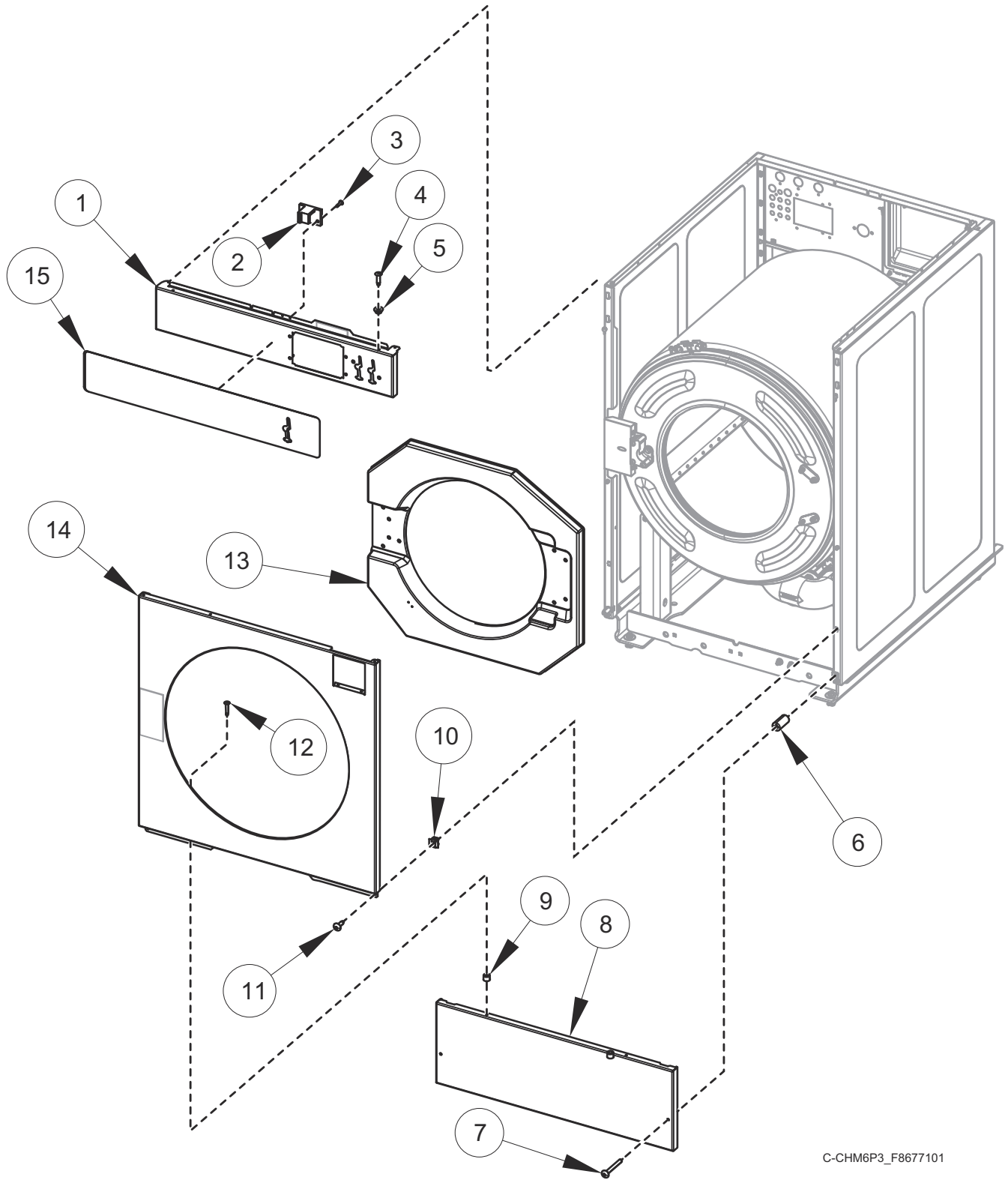


C-CHM6P3\_F8677101

## Front Panels and Control Panel - Coin Models - Design 4 and 6

REF	PART NO.	DESCRIPTION	COMMENTS
1	F8523701	Control Panel Assembly	20 pound models
	F8523801	Control Panel Assembly	30 pound models
	F8523901	Control Panel Assembly	40 pound models
	F8553701	Control Panel Assembly	60 pound models
2	F8201001	Top Cover Latch	
3	F431215	Pop Rivet	
4	70412601	Pop Rivet	
5	F8201101	Washer	
6	F8609701	Access Panel Retaining Spacer	
7	F8589501	Screw	
8	F8524001	Access Panel	20 pound models
	F8524101	Access Panel	30 pound models
	F8524201	Access Panel	40 pound models
	F8553901	Access Panel	60 pound models
9	56079	Panel Locator	
10	70030501	Expansion Clip	
11	F8117601	Screw	
12	M412763	Rivet	
13	F8658701	Door Bezel	20 pound models
	F170417-1	Door Bezel	30 pound models
	F8659101	Door Bezel	40 and 60 pound models
14	F8524301	Front Panel	20 pound models
	F8524401	Front Panel	30 pound models
	F8524501	Front Panel	40 pound models
	F8554001	Front Panel	60 pound models
15	F8655701	Overlay	20 pound models; Single coin
	F8655702	Overlay	20 pound models; Dual coin
	F8655801	Overlay	30 pound models; Single coin
	F8655802	Overlay	30 pound models; Dual coin
	F8655901	Overlay	40 pound models; Single coin
	F8655902	Overlay	40 pound models; Dual coin
	F8656001	Overlay	60 pound models; Single coin
	F8656002	Overlay	60 pound models; Dual coin

# Front Panels and Control Panel - Coin Models - Design 7

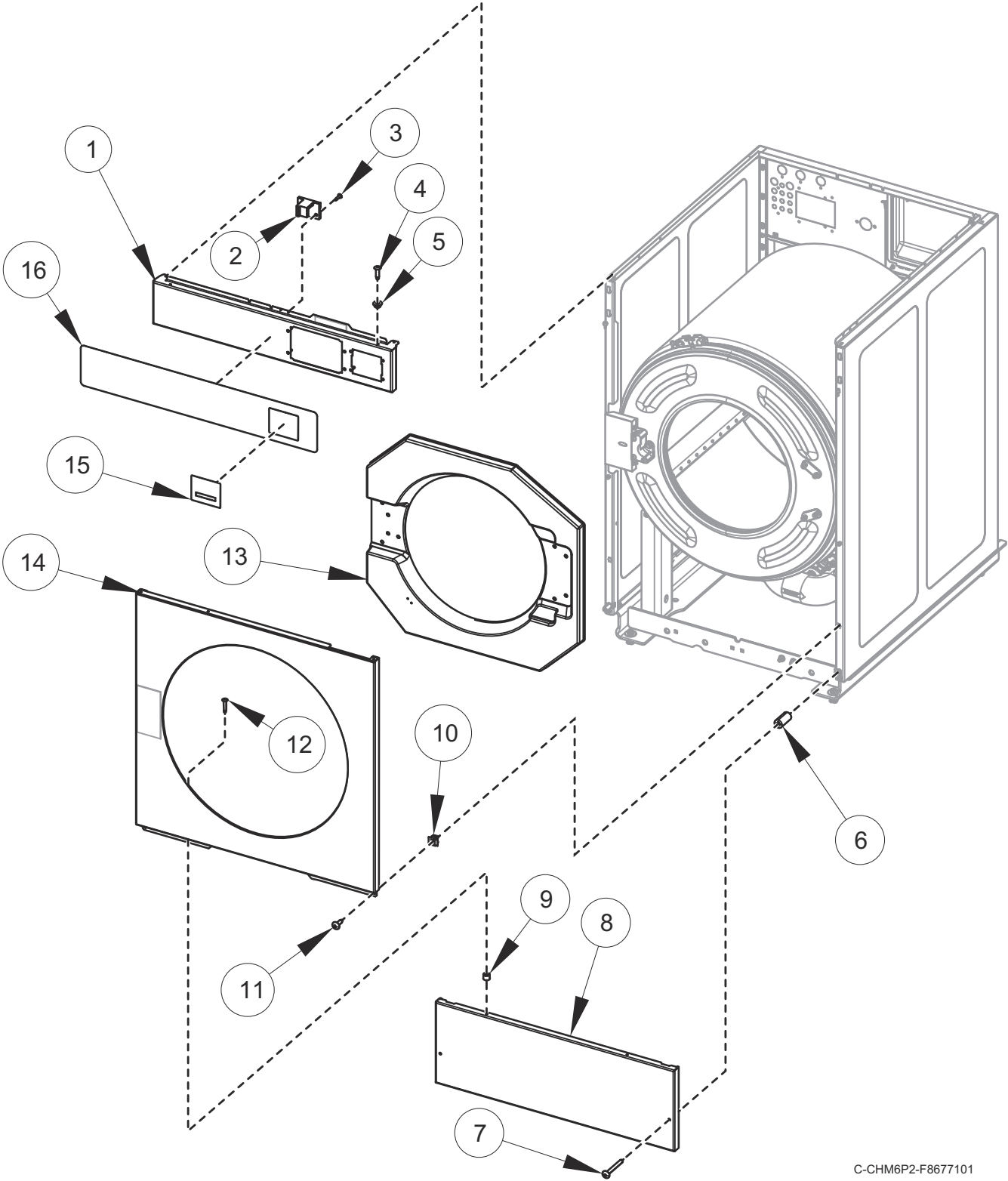


C-CHM6P3\_F8677101

## Front Panels and Control Panel - Coin Models - Design 7

REF	PART NO.	DESCRIPTION	COMMENTS
1	F8523701	Control Panel Assembly	20 pound models
	F8523801	Control Panel Assembly	30 pound models
	F8523901	Control Panel Assembly	40 pound models
	F8553701	Control Panel Assembly	60 pound models
2	F8201001	Top Cover Latch	
3	F431215	Pop Rivet	
4	70412601	Pop Rivet	
5	F8201101	Washer	
6	F8609701	Access Panel Retaining Spacer	
7	F8589501	Screw	
8	F8524001	Access Panel	20 pound models
	F8524101	Access Panel	30 pound models
	F8524201	Access Panel	40 pound models
	F8553901	Access Panel	60 pound models
9	56079	Panel Locator	
10	70030501	Expansion Clip	
11	F8117601	Screw	
12	M412763	Rivet	
13	F8658701	Door Bezel	20 pound models
	F170417-1	Door Bezel	30 pound models
	F8659101	Door Bezel	40 and 60 pound models
14	F8524303	Front Panel	20 pound models
	F8524403	Front Panel	30 pound models
	F8524503	Front Panel	40 pound models
	F8554003	Front Panel	60 pound models
15	F8656401	Overlay	20 pound models; Single coin
	F8656501	Overlay	30 pound models; Single coin
	F8656601	Overlay	40 pound models; Single coin
	F8656701	Overlay	60 pound models; Single coin
	F8656402	Overlay	20 pound models; Dual coin
	F8656502	Overlay	30 pound models; Dual coin
	F8656602	Overlay	40 pound models; Dual coin
	F8656702	Overlay	60 pound models; Dual coin

# Front Panels and Control Panel - Card Reader and Central Pay Models - Design 4 and 6

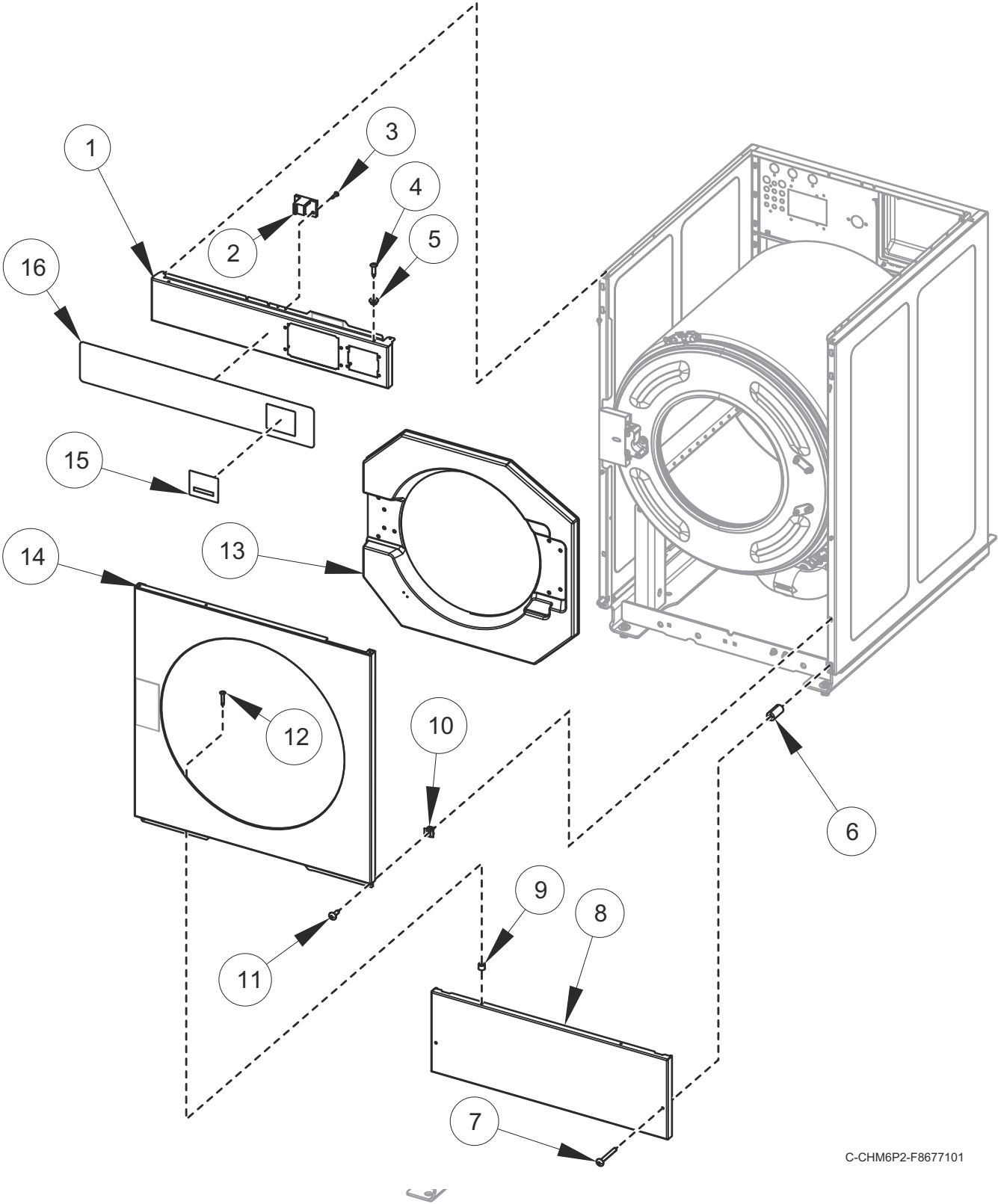


C-CHM6P2-F8677101

## Front Panels and Control Panel - Card Reader and Central Pay Models - Design 4 and 6

REF	PART NO.	DESCRIPTION	COMMENTS
1	F8523704	Control Panel Assembly	20 pound models
	F8523804	Control Panel Assembly	30 pound models
	F8523904	Control Panel Assembly	40 pound models
	F8553704	Control Panel Assembly	60 pound models
2	F8201001	Top Cover Latch	
3	F431215	Pop Rivet	
4	70412601	Pop Rivet	
5	F8201101	Washer	
6	F8609701	Access Panel Retaining Spacer	
7	F8589501	Screw	
8	F8524001	Access Panel	20 pound models
	F8524101	Access Panel	30 pound models
	F8524201	Access Panel	40 pound models
	F8553901	Access Panel	60 pound models
9	56079	Panel Locator	
10	70030501	Expansion Clip	
11	F8117601	Screw	
12	M412763	Rivet	
13	F8658801	Door Bezel	20 pound models
	F170417-1	Door Bezel	30 pound models
	F8659101	Door Bezel	40 and 60 pound models
14	F8524302	Front Panel	20 pound models
	F8524402	Front Panel	30 pound models
	F8524502	Front Panel	40 pound models
	F8554002	Front Panel	60 pound models
15	70557001	Overlay	Card reader models
	70557002	Overlay	Central pay models
16	F8655703	Overlay	20 pound models
	F8655803	Overlay	30 pound models
	F8655903	Overlay	40 pound models
	F8656003	Overlay	60 pound models

# Front Panels and Control Panel - Card Reader and Central Pay Models - Design 7

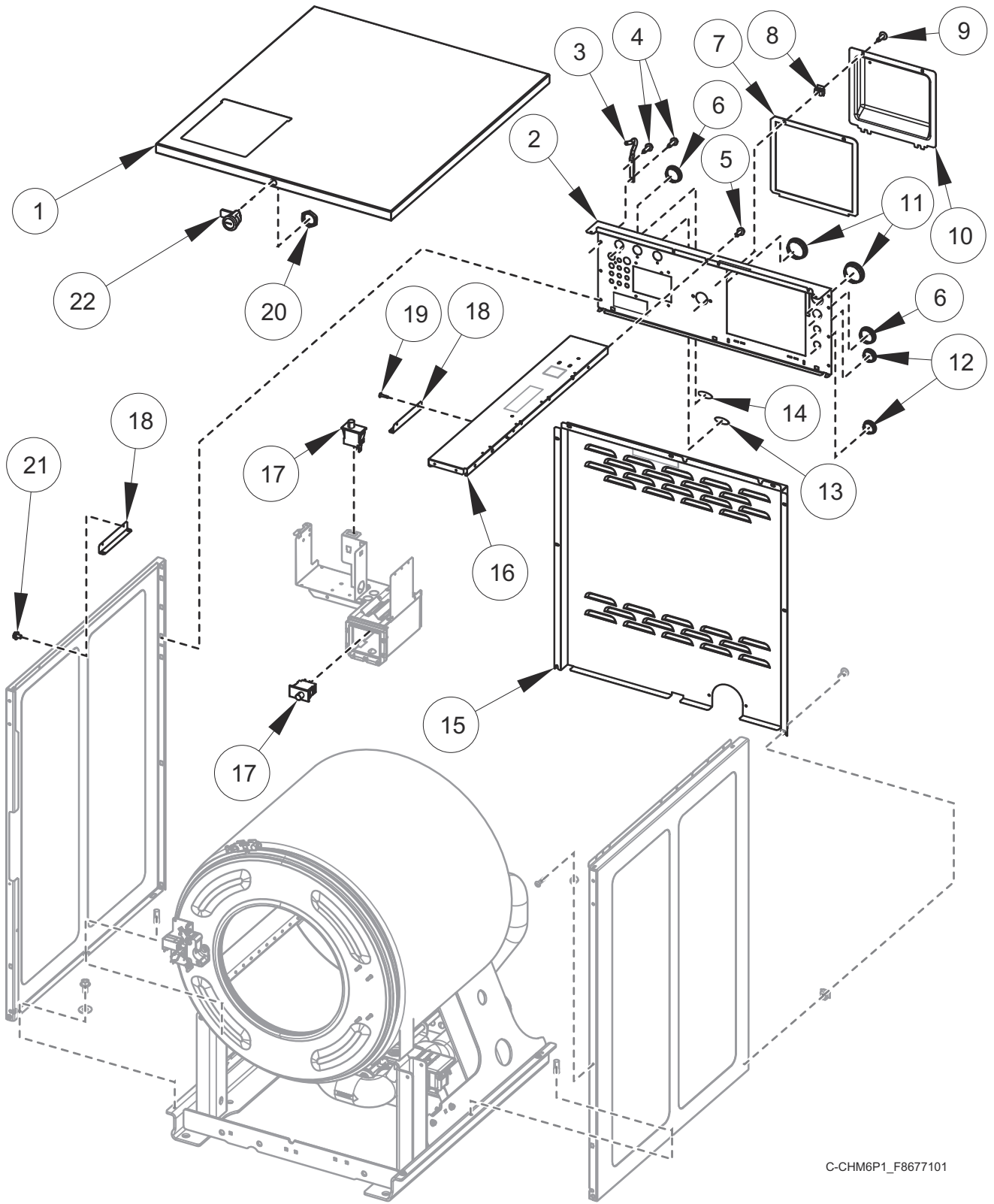




## Front Panels and Control Panel - Card Reader and Central Pay Models - Design 7

REF	PART NO.	DESCRIPTION	COMMENTS
1	F8523704	Control Panel Assembly	20 pound models
	F8523804	Control Panel Assembly	30 pound models
	F8523904	Control Panel Assembly	40 pound models
	F8553704	Control Panel Assembly	60 pound models
2	F8201001	Top Cover Latch	
3	F431215	Pop Rivet	
4	70412601	Pop Rivet	
5	F8201101	Washer	
6	F8609701	Access Panel Retaining Spacer	
7	F8589501	Screw	
8	F8524001	Access Panel	20 pound models
	F8524101	Access Panel	30 pound models
	F8524201	Access Panel	40 pound models
	F8553901	Access Panel	60 pound models
9	56079	Panel Locator	
10	70030501	Expansion Clip	
11	F8117601	Screw	
12	M412763	Rivet	
13	F8658801	Door Bezel	20 pound models
	F170417-1	Door Bezel	30 pound models
	F8659101	Door Bezel	40 and 60 pound models
14	F8524304	Front Panel	20 pound models
	F8524404	Front Panel	30 pound models
	F8524504	Front Panel	40 pound models
	F8554004	Front Panel	60 pound models
15	70557001	Overlay	Card reader models
	70557002	Overlay	Central pay models
16	F8656403	Overlay	20 pound models; Card reader models
	F8656503	Overlay	30 pound models; Card reader models
	F8656603	Overlay	40 pound models; Card reader models
	F8656703	Overlay	60 pound models; Card reader models
	F8656404	Overlay	20 pound models; Central pay models
	F8656504	Overlay	30 pound models; Central pay models
	F8656604	Overlay	40 pound models; Central pay models
	F8656704	Overlay	60 pound models; Central pay models

# Rear and Top Panels

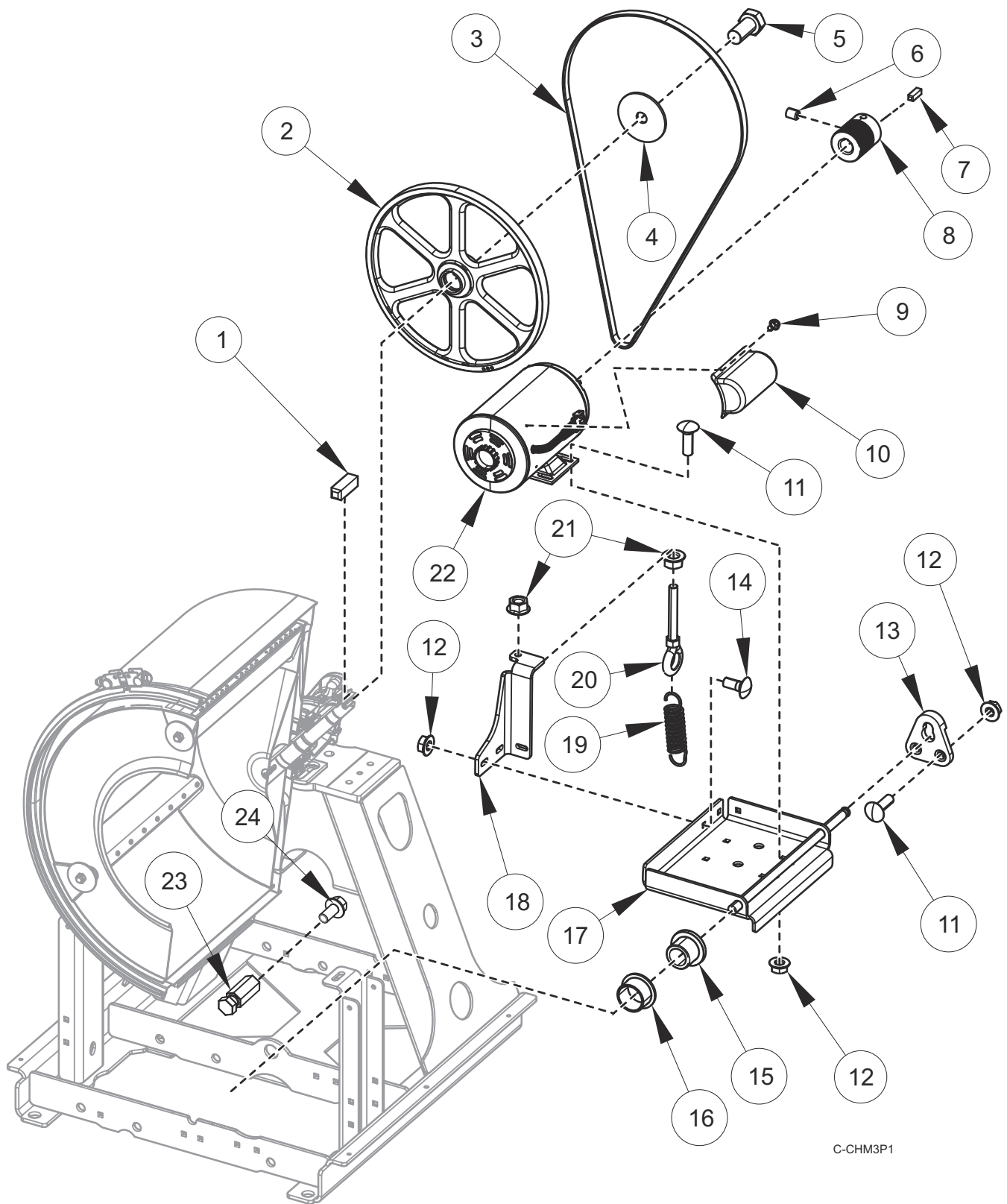


C-CHM6P1\_F8677101

## Rear and Top Panels

REF	PART NO.	DESCRIPTION	COMMENTS
1	F8525401	Top Cover	20 pound models
	F8525501	Top Cover	30 pound models
	F8525601	Top Cover	40 pound models
	F8554301	Top Cover	60 pound models
2	F8513101	Valve Panel	20 pound models
	F8513201	Valve Panel	30 pound models
	F8513301	Valve Panel	40 pound models
	F8554401	Valve Panel	60 pound models
3	F8258601	Top Cover Hinge	
4	F8206901	Screw	
5	33562	Screw	
6	F8223901	Plug	
7	F8542601	Gasket	
8	70030501	Expansion Clip	
9	F8117601	Screw	
10	F8518301	Terminal Tray Cover	
	F8521301	Cable	
11	F8223801	Hole Plug	
12	M400985	Plug	
13	F8611301	Label	Hot water
14	F8611401	Label	Cold water
15	F8527001	Rear Panel	20 pound models
	F8527101	Rear Panel	30 pound models
	F8527201	Rear Panel	40 pound models
	F8554501	Rear Panel	60 pound models
16	F8527301	Cabinet Brace	20 pound models
	F8527401	Cabinet Brace	30 pound models
	F8527501	Cabinet Brace	40 pound models
	F8553201	Cabinet Brace	60 pound models
17	70413301	Pushbutton Switch	
18	F8525701	Dispenser Bracket	
19	F431215	Pop Rivet	
20	44088801	Nut	
21	51780	Screw	
22	44089303P	Panel Lock	
	70155603	Key	

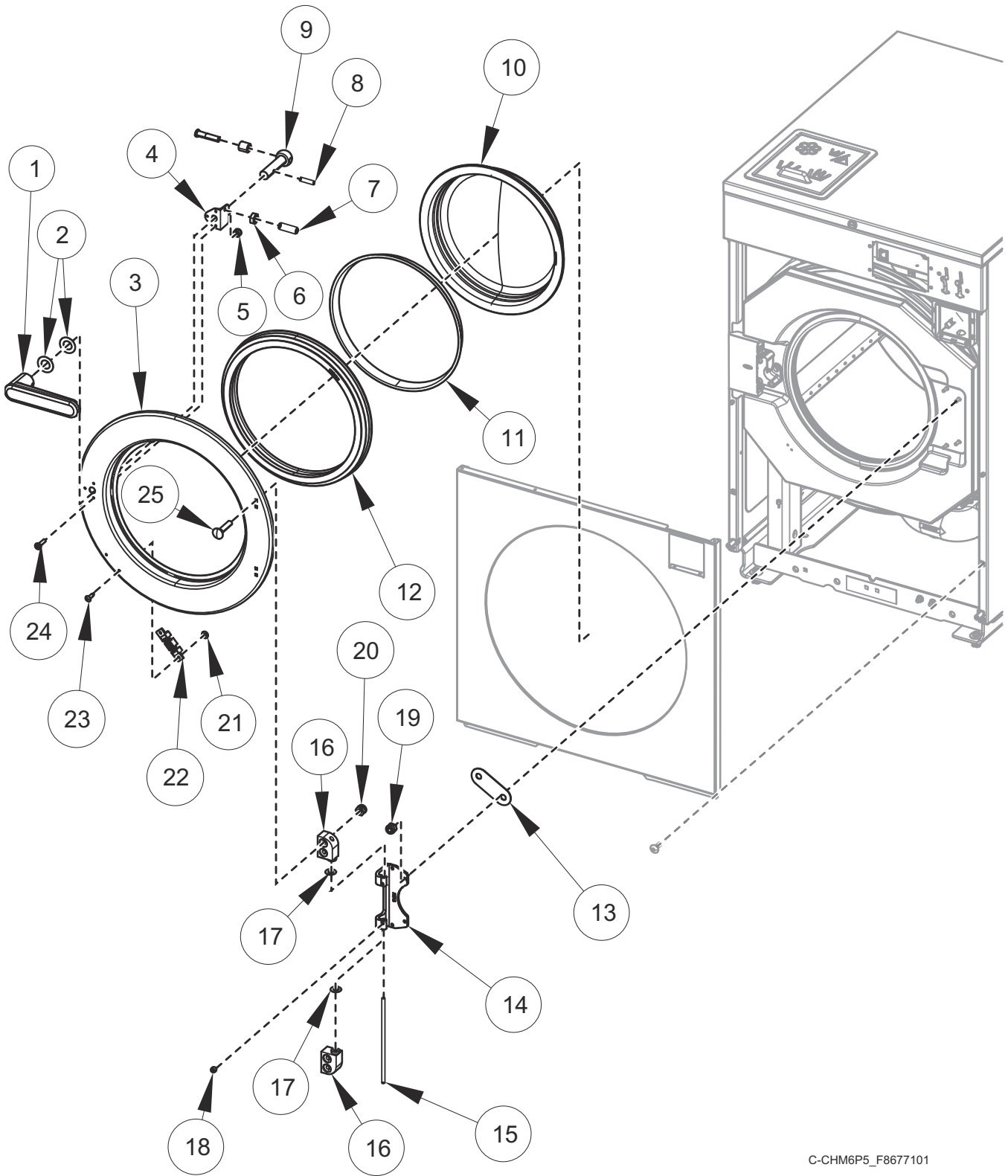
# Side Panels



## Side Panels

REF	PART NO.	DESCRIPTION	COMMENTS
1	F8524602	Side Panel	20 pound models; Left
	F8524604	Side Panel	20 pound models; Left; Stainless steel; models through December 7, 2021; models with 0 in 5th position of serial number starting December 8, 2021
	F8525606	Side Panel	20 pound models; Left; Painted; models with 6 in 5th position of serial number starting December 8, 2021
	F8524702	Side Panel	30 pound models; Left
	F8524704	Side Panel	30 pound models; Left; Stainless steel; models through December 7, 2021; models with 0 in 5th position of serial number starting December 8, 2021
	F8524706	Side Panel	30 pound models; Left; Painted; models with 6 in 5th position of serial number starting December 8, 2021
	F8524802	Side Panel	40 pound models; Left
	F8524804	Side Panel	40 pound models; Left; Stainless steel; models through December 7, 2021; models with 0 in 5th position of serial number starting December 8, 2021
	F8524806	Side Panel	40 pound models; Left; Painted; models with 6 in 5th position of serial number starting December 8, 2021
	F8554204	Side Panel	60 pound models; Left
	F8554202	Side Panel	60 pound models; Left; Stainless steel; models through December 7, 2021; models with 0 in 5th position of serial number starting December 8, 2021
	F8554206	Side Panel	60 pound models; Left; Painted; models with 6 in 5th position of serial number starting December 8, 2021
	2	F8502101	Pin
3	M412763	Rivet	
4	56079	Panel Locator	
5	F8524601	Side Panel	20 pound models; Right
	F8524603	Side Panel	20 pound models; Right; Stainless steel; models through December 7, 2021; models with 0 in 5th position of serial number starting December 8, 2021
	F8525605	Side Panel	20 pound models; Right; Painted; models with 6 in 5th position of serial number starting December 8, 2021
	F8524701	Side Panel	30 pound models; Right
	F8524703	Side Panel	30 pound models; Right; Stainless steel; models through December 7, 2021; models with 0 in 5th position of serial number starting December 8, 2021
	F8524705	Side Panel	30 pound models; Right; Painted; models with 6 in 5th position of serial number starting December 8, 2021
	F8524801	Side Panel	40 pound models; Right
	F8524803	Side Panel	40 pound models; Right; Stainless steel; models through December 7, 2021; models with 0 in 5th position of serial number starting December 8, 2021
	F8524805	Side Panel	40 pound models; Right; Painted; models with 6 in 5th position of serial number starting December 8, 2021
	F8554203	Side Panel	60 pound models; Right
	F8554201	Side Panel	60 pound models; Right; Stainless steel; models through December 7, 2021; models with 0 in 5th position of serial number starting December 8, 2021
	F8554205	Side Panel	60 pound models; Right; Painted; models with 6 in 5th position of serial number starting December 8, 2021
	6	F8117601	Screw
7	70030501	Expansion Clip	
8	M405535	Washer	
9	F8402801	Bolt	
10	44087201	Nut	

# Door - 20 Pound Models

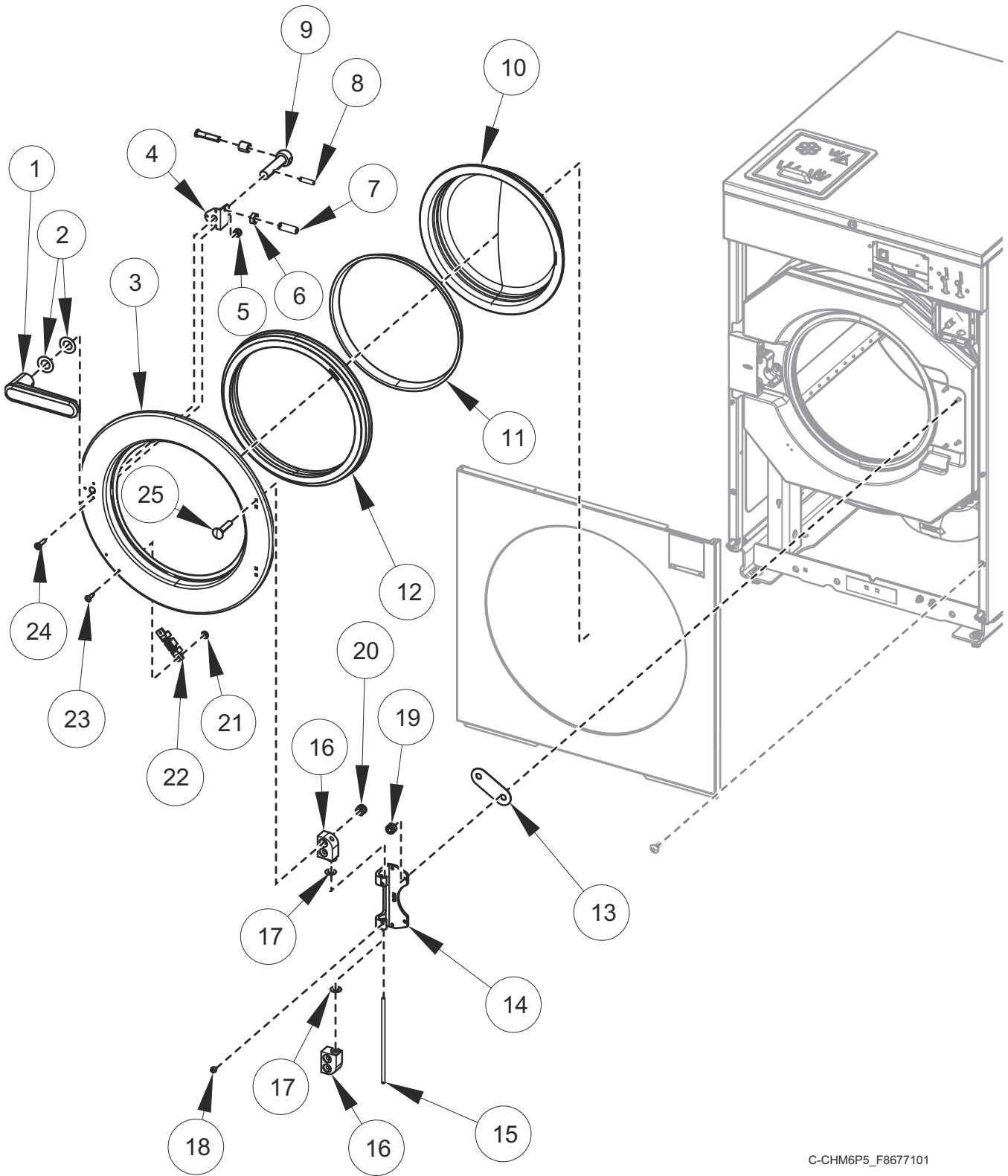


C-CHM6P5\_F8677101

## Door - 20 Pound Models

REF	PART NO.	DESCRIPTION	COMMENTS
	F8617201	Door Assembly	Includes items 1-12, 14-18 and 20-25
	F8617202	Door Assembly	Chrome; Includes items 1-12, 14-18 and 20-25
1	F8199401P	Door Handle	Black
2	F431916	Washer	
3	F8507502	Door	
	F8507501P	Door	Chrome
4	F8567501	Door Handle Spacer Kit	Includes items 6 and 7
5	F430232	Nut	
6	F431041	Nut	
7	F430532	Screw	
8	F431222	Spring Pin	
9	F8221403	Door Latch Arm Assembly	Includes latch arm shaft, latch arm support and sleeve
10	F290205P	Door Glass Kit	
11	F8583201	Door Glass Trim	Black
12	F200000202	Door Gasket	
13	F200131000P	Door Hinge Shim Kit	
14	F190216P	Door Hinge	
15	F602813-2	Rod	
16	F150271	Door Mount	
17	F431929	Washer	Non-ferrous
	F431147	Washer	
18	F430536	Screw	
19	C001236	Nut	
20	F430215	Nut	
21	F431133	Washer	
22	F8390801	Magnet	
23	F431223	Pop Rivet	
24	F8535501	Screw	
25	F430974	Bolt	
	F8508101	Bolt	Chrome

# Door - 30 Pound Models



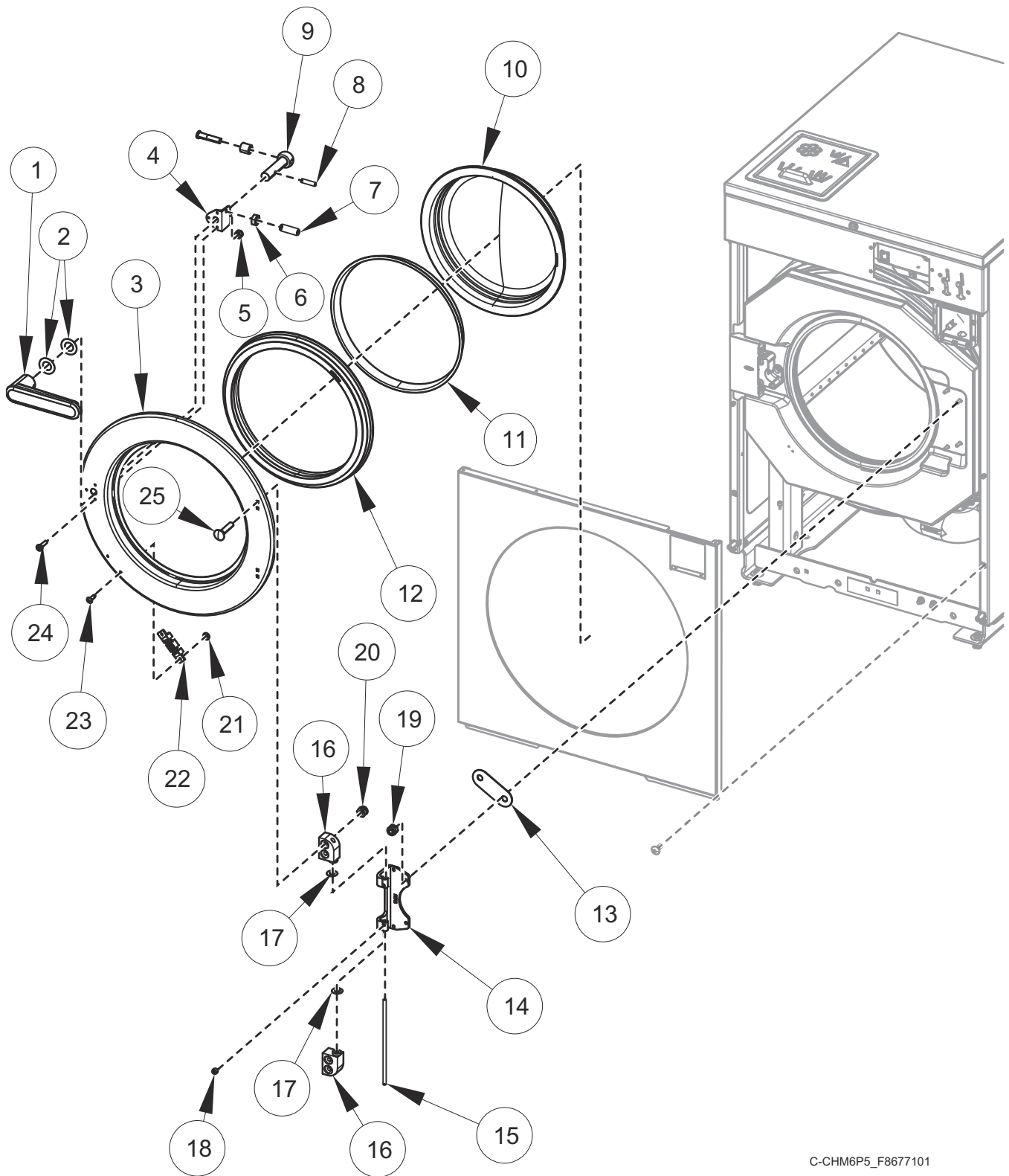
C-CHM6P5\_F8677101



## Door - 30 Pound Models

REF	PART NO.	DESCRIPTION	COMMENTS
	F8617301	Door Assembly	Includes items 1-12, 14-18 and 20-25
	F8617302	Door Assembly	Chrome; Includes items 1-12, 14-18 and 20-25
1	F8199401P	Door Handle	Black
2	F431916	Washer	
3	F8507602	Door	
	F8752601	Door	Chrome
4	F8567501	Door Handle Spacer Kit	
5	F430232	Nut	
6	F431041	Nut	
7	F430533	Screw	
8	F431222	Spring Pin	
9	F8221403	Door Latch Arm Assembly	Includes latch arm shaft, latch arm support and sleeve
10	F8485301P	Door Glass	
11	F8583202	Door Glass Trim	Black
12	F8111602	Door Gasket	
13	F200131000P	Door Hinge Shim Kit	
14	F190216P	Door Hinge	
15	F602813-2	Rod	
16	F150271	Door Mount	
17	F431929	Washer	Non-ferrous
	F431147	Washer	
18	F430536	Screw	
19	C001236	Nut	
20	F430215	Nut	
21	F431133	Washer	
22	F8390801	Magnet	
23	F431223	Pop Rivet	
24	F8535501	Screw	
25	F430974	Bolt	
	F8508101	Bolt	Chrome

# Door - 40 and 60 Pound Models

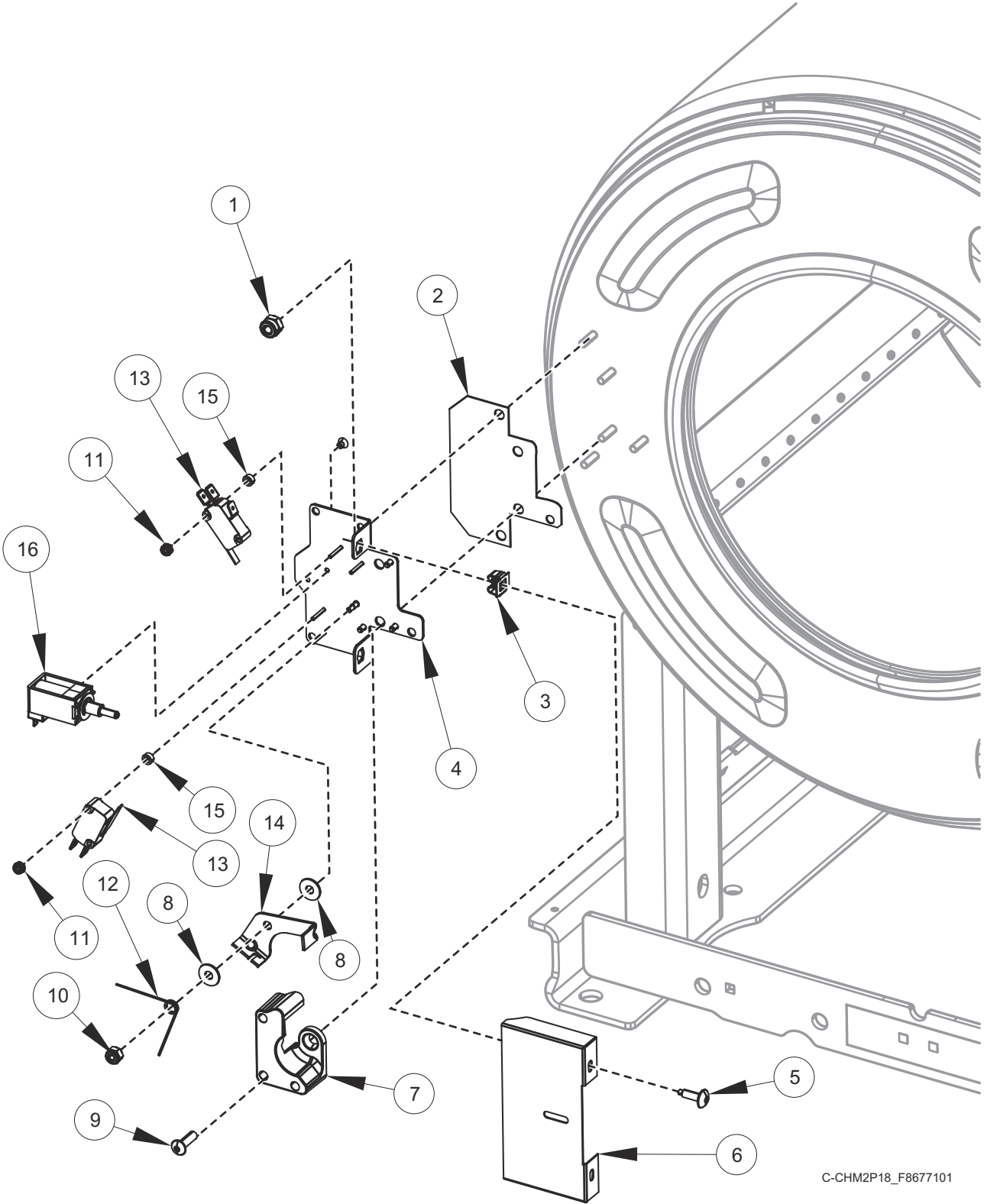


C-CHM6P5\_F8677101

## Door - 40 and 60 Pound Models

REF	PART NO.	DESCRIPTION	COMMENTS
	F8617401	Door Assembly	Includes items 1-12, 14-18 and 20-25
	F8617402	Door Assembly	Chrome; Includes items 1-12, 14-18 and 20-25
1	F8199401P	Door Handle	Black
2	F431916	Washer	
3	F8507702	Door	
	F8507701	Door	Chrome
4	F8567501	Door Handle Spacer Kit	
5	F430232	Nut	
6	F431041	Nut	
7	F430533	Screw	
8	F431222	Spring Pin	
9	F8221403	Door Latch Arm Assembly	Includes latch arm shaft, latch arm support and sleeve
10	F8485401P	Door Glass	
11	F8583203	Door Glass Trim	Black
12	F8111602	Door Gasket	
13	F200131000P	Door Hinge Shim Kit	
14	F190216P	Door Hinge	
15	F602813-3	Rod	
16	F150271	Door Mount	
17	F431929	Washer	Non-ferrous
	F431147	Washer	
18	F430536	Screw	
19	C001236	Nut	
20	F430215	Nut	
21	F431133	Washer	
22	F8390801	Magnet	
23	F431223	Pop Rivet	
24	F8535501	Screw	
25	F430974	Bolt	
	F8508101	Bolt	Chrome

# Door Lock

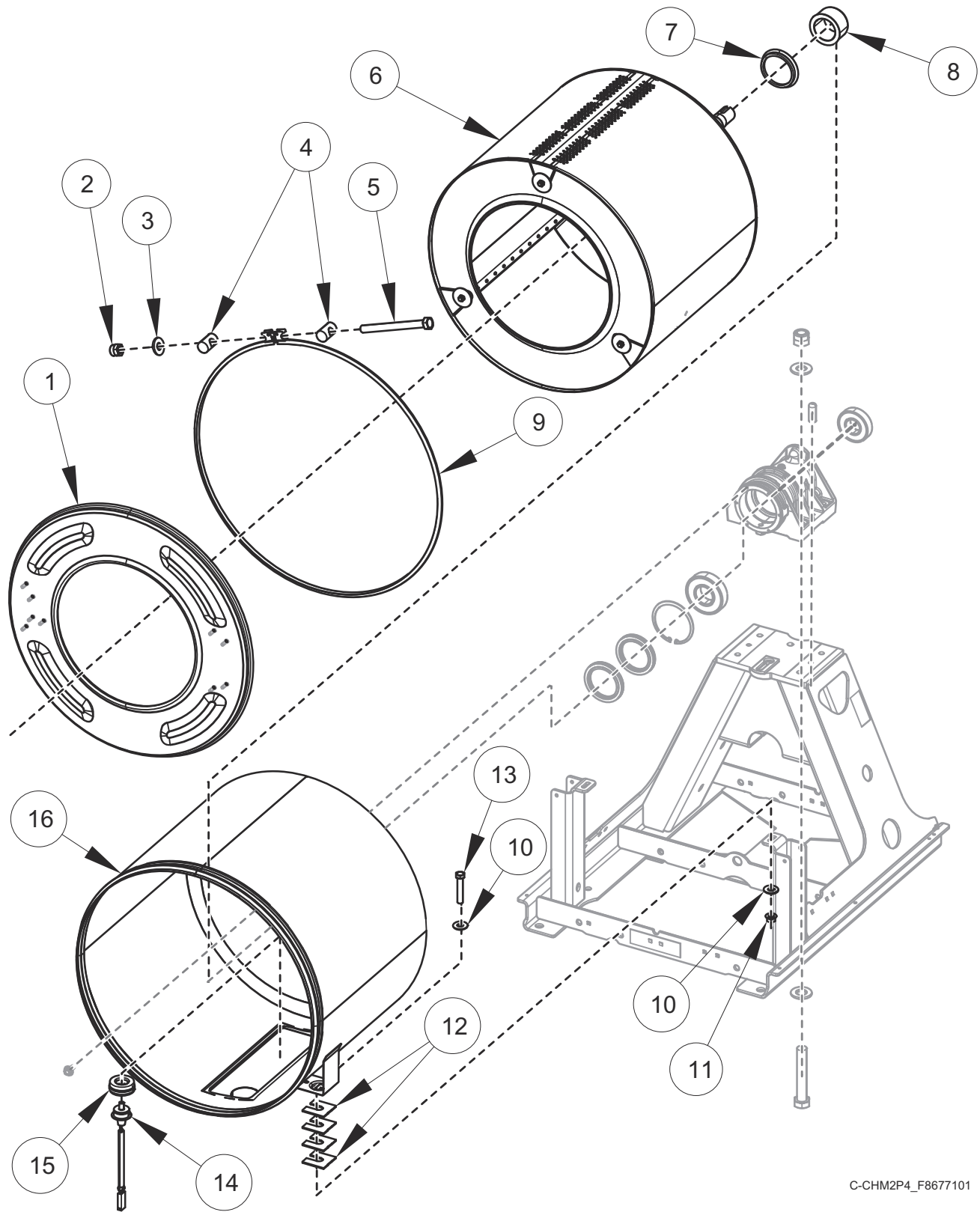


C-CHM2P18\_F8677101

# Door Lock

REF	PART NO.	DESCRIPTION	COMMENTS
	F8632401	Door Lock Assembly	Includes items 3, 4 and 10-16
	F8520201	Door Lock Harness	20 and 30 pound models
	F8520202	Door Lock Harness	40 and 60 pound models
	F8066804	Reed Switch Assembly	
<b>1</b>	F431024	Nut	
<b>2</b>	F8344401	Door Lock Plate Shim	
<b>3</b>	70030501	Expansion Clip	
<b>4</b>	F8223202	Door Lock Plate Assembly	
<b>5</b>	F8117601	Screw	
<b>6</b>	F8245001	Door Lock Cover	
<b>7</b>	F8344501	Door Lock Catch	
<b>8</b>	F8193101	Washer	
<b>9</b>	F8270701	Bolt	
<b>10</b>	F430232	Nut	
<b>11</b>	F430225	Nut	
<b>12</b>	F8070301	Torsion/Door Lock Spring	
<b>13</b>	F200203200	Door Lock Microswitch	
<b>14</b>	F8223401	Door Lock Switch Lever	
<b>15</b>	F431901	Spacer	
<b>16</b>	F977P3	Door Lock Solenoid Replacement Kit	

# Shell Front, Basket, Shell and Frame Template

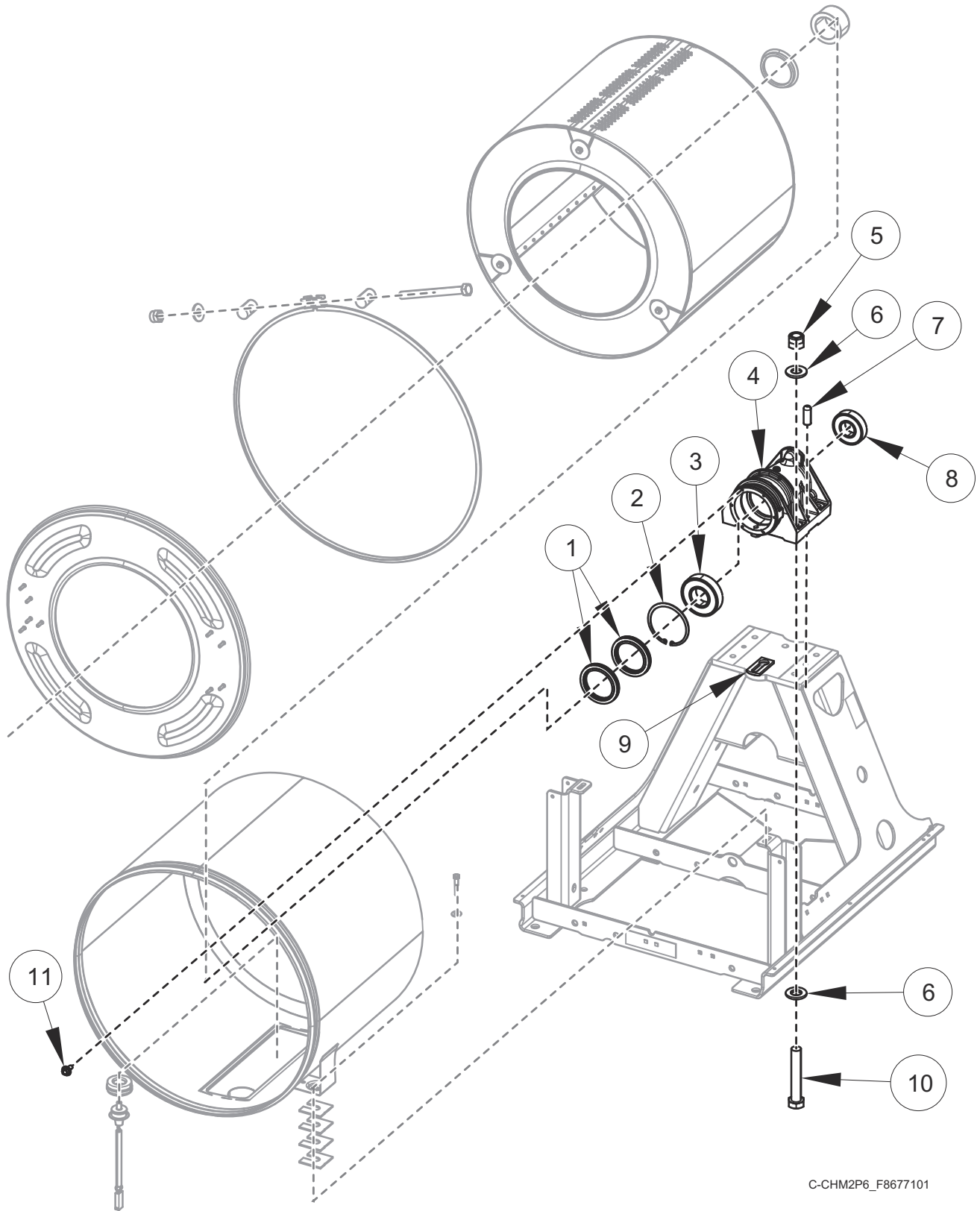


C-CHM2P4\_F8677101

## Shell Front, Basket, Shell and Frame Template

REF	PART NO.	DESCRIPTION	COMMENTS
	F8598301	Harness	Thermistor; 20 and 30 pound models
	F8598302	Harness	Thermistor; 40 and 60 pound models
<b>1</b>	F8222301	Shell Front	20 pound models
	F8222401	Shell Front	30 pound models
	F8222501	Shell Front	40 pound models
	F8222601	Shell Front	60 pound models
<b>2</b>	F430218	Nut	
<b>3</b>	M400080	Washer	
<b>4</b>	F8302701	Pin	
<b>5</b>	F8673701	Screw	
<b>6</b>	F8391304	Basket	20 pound models; Viton
	F8391302	Basket	20 pound models; Rain
	F8391504	Basket	30 pound models; Viton
	F8391502	Basket	30 pound models; Rain
	F8391704	Basket	40 pound models; Viton
	F8391702	Basket	40 pound models; Rain
	F8502805	Basket	60 pound models; Viton
	F8502802	Basket	60 pound models; Rain
<b>7</b>	F8337002	Excluder Seal	
<b>8</b>	F8343906P	Shaft Seal Sleeve Kit	
<b>9</b>	F8537801	Shell Band Kit	20 pound models; Includes items 2-5
	F8537802	Shell Band Kit	30 pound models; Includes items 2-5
	F8537803	Shell Band Kit	40 pound models; Includes items 2-5
	F8537804	Shell Band Kit	40 pound models; Includes items 2-5
<b>10</b>	M400081	Washer	
<b>11</b>	44087301	Nut	
<b>12</b>	F8402701	Washer	
<b>13</b>	F8621601	Screw	
<b>14</b>	F8538801	Thermistor	
<b>15</b>	2251000400	Temperature Probe Grommet	
<b>16</b>	F8512102	Shell	20 pound models; Electric and dual heat
	F8514002	Shell	30 pound models; Electric and dual heat
	F8512202	Shell	40 pound models; Electric and dual heat
	F8543702	Shell	60 pound models; Electric and dual heat
	F8512202	Shell	40 pound models; Steam Heat
	F8543702	Shell	60 pound models; Steam Heat
	F8512101	Shell	20 pound models; Standard
	F8514001	Shell	30 pound models; Standard
	F8512201	Shell	40 pound models; Standard
	F8543701	Shell	60 pound models; Standard

# Bearing Housing



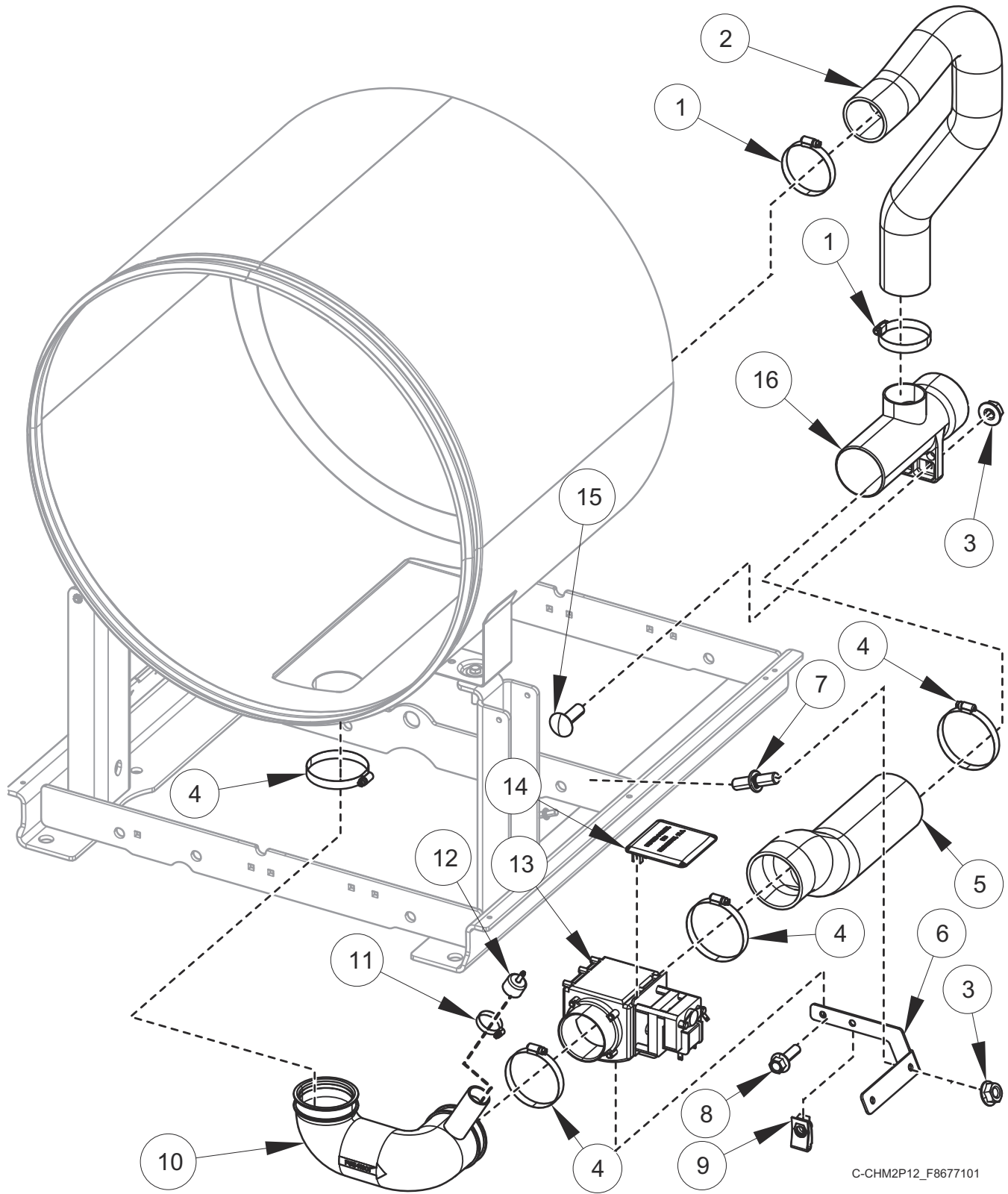
C-CHM2P6\_F8677101



# Bearing Housing

REF	PART NO.	DESCRIPTION	COMMENTS
	F8271601P	Bearing Housing Assembly	20 pound models; Includes items 1-4 and 8; Standard
	F8271602	Bearing Housing Assembly	20 pound models; Includes items 1-4 and 8; Viton
	F8271701P	Bearing Housing Assembly	30 pound models; Includes items 1-4 and 8; Standard
	F8271702	Bearing Housing Assembly	30 pound models; Includes items 1-4 and 8; Viton
	F8271801P	Bearing Housing Assembly	40 pound models; Includes items 1-4 and 8; Standard
	F8271802	Bearing Housing Assembly	40 pound models; Includes items 1-4 and 8; Viton
	F8271901P	Bearing Housing Assembly	60 pound models; Includes items 1-4 and 8; Standard
	F8271902	Bearing Housing Assembly	60 pound models; Includes items 1-4 and 8; Viton
<b>1</b>	F8203801	Triple Lip Seal	20 pound models; Standard
	F8203813	Triple Lip Seal	20 pound models; Viton
	F8203802	Triple Lip Seal	30 pound models; Standard
	F8203814	Triple Lip Seal	30 pound models; Viton
	F8203803	Triple Lip Seal	40 pound models; Standard
	F8203815	Triple Lip Seal	40 pound models; Viton
	F8203806	Triple Lip Seal	60 pound models; Standard
	F8203816	Radial Lip Seal	60 pound models; Viton
<b>2</b>	F8344901	Retaining Ring	20 pound models
	F8345001	Retaining Ring	30 pound models
	F8337801	Retaining Ring	40 pound models
	F8337901	Retaining Ring	60 pound models
<b>3</b>	F100137P	Bearing	20 and 40 pound models
	F100123P	Bearing	30 pound models
	F100135	Bearing	60 pound models
<b>4</b>	F8247902	Bearing Housing	20 pound models
	F8246802	Bearing Housing	30 pound models
	F8249902	Bearing Housing	40 pound models
	F8250902	Bearing Housing	60 pound models
<b>5</b>	F8387701	Nut	
<b>6</b>	F430339	Washer	
<b>7</b>	F8388201	Dowel Pin	
<b>8</b>	F100136P	Bearing	20 pound models
	F100108	Bearing	30 pound models
	F100134	Bearing	40 and 60 pound models
<b>9</b>	F8350302	Seal Scupper Pad	
<b>10</b>	F8368801	Screw	
<b>11</b>	F8442702	Screw	

# Drain Plumbing

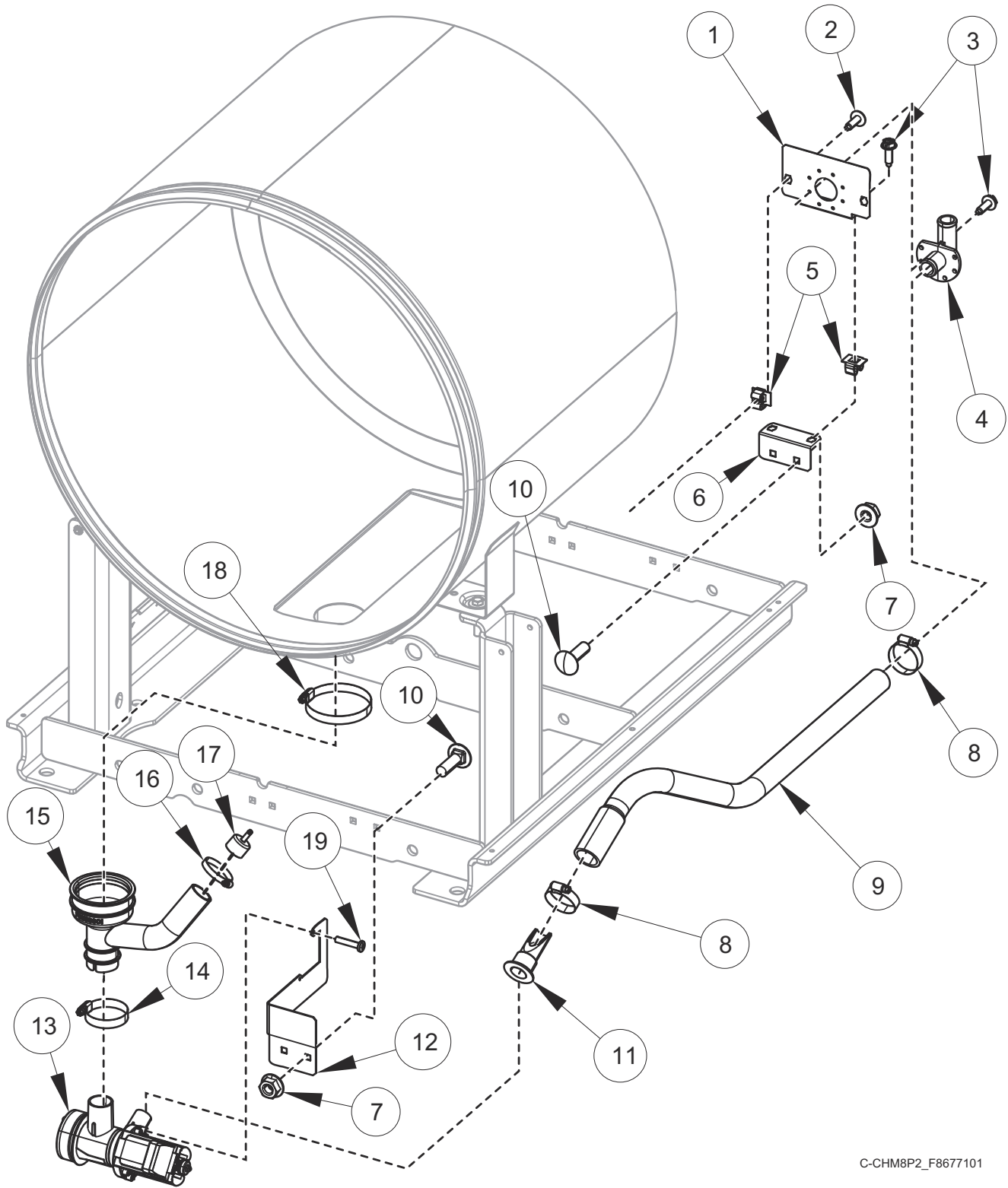


C-CHM2P12\_F8677101

## Drain Plumbing

REF	PART NO.	DESCRIPTION	COMMENTS
	F8520001	Drain Valve Harness	20 and 30 pound models
	F8520002	Drain Valve Harness	40 and 60 pound models
<b>1</b>	F200213	Hose Clamp	
<b>2</b>	F8522401	Overflow Hose	20 pound models
	F8521201	Overflow Hose	30 pound models
	F8522501	Overflow Hose	40 and 60 pound models
<b>3</b>	44087201	Nut	
<b>4</b>	F200201	Hose Clamp	
<b>5</b>	F8587301	Rear Drain Hose	20 pound models
	F8543001	Rear Drain Hose	30 pound models
	F8543201	Rear Drain Hose	40 pound models
	F8543501	Rear Drain Hose	60 pound models
<b>6</b>	F8587701	Drain Valve Bracket	20 pound models
	F8543101	Drain Valve Bracket	30 pound models
	F8543301	Drain Valve Bracket	40 pound models
	F8543401	Drain Valve Bracket	60 pound models
<b>7</b>	70334702	Stud	
<b>8</b>	202175	Screw	
<b>9</b>	70030401	Nut	
<b>10</b>	F8542002	Drain Hose	20 pound models
	F8541901	Drain Hose	30, 40 and 60 pound models
	F8542001	Drain Hose	40 and 60 pound models; Electric heat
<b>11</b>	36802	Hose Clamp	
<b>12</b>	F8579301	Pressure Cap	
<b>13</b>	F200166302	Drain Valve Kit	3 inch; 120 Volt; Left; NO; Includes item 14
	F8406308	Drain Valve	3 inch; 120 Volt; Right; NO
	F200166402	Drain Valve Kit	3 inch; 230 Volt; Left; NO; Includes item 14
	F8577201	Drain Valve Kit	3 inch; 230 Volt; Right; NO; Includes item 14
<b>14</b>	F200133600	Drain Valve Cover	
<b>15</b>	F8402801	Bolt	
<b>16</b>	F8752101	Drain Tee	

# Pump Drain Plumbing - 20, 30 and 40 Pound Models

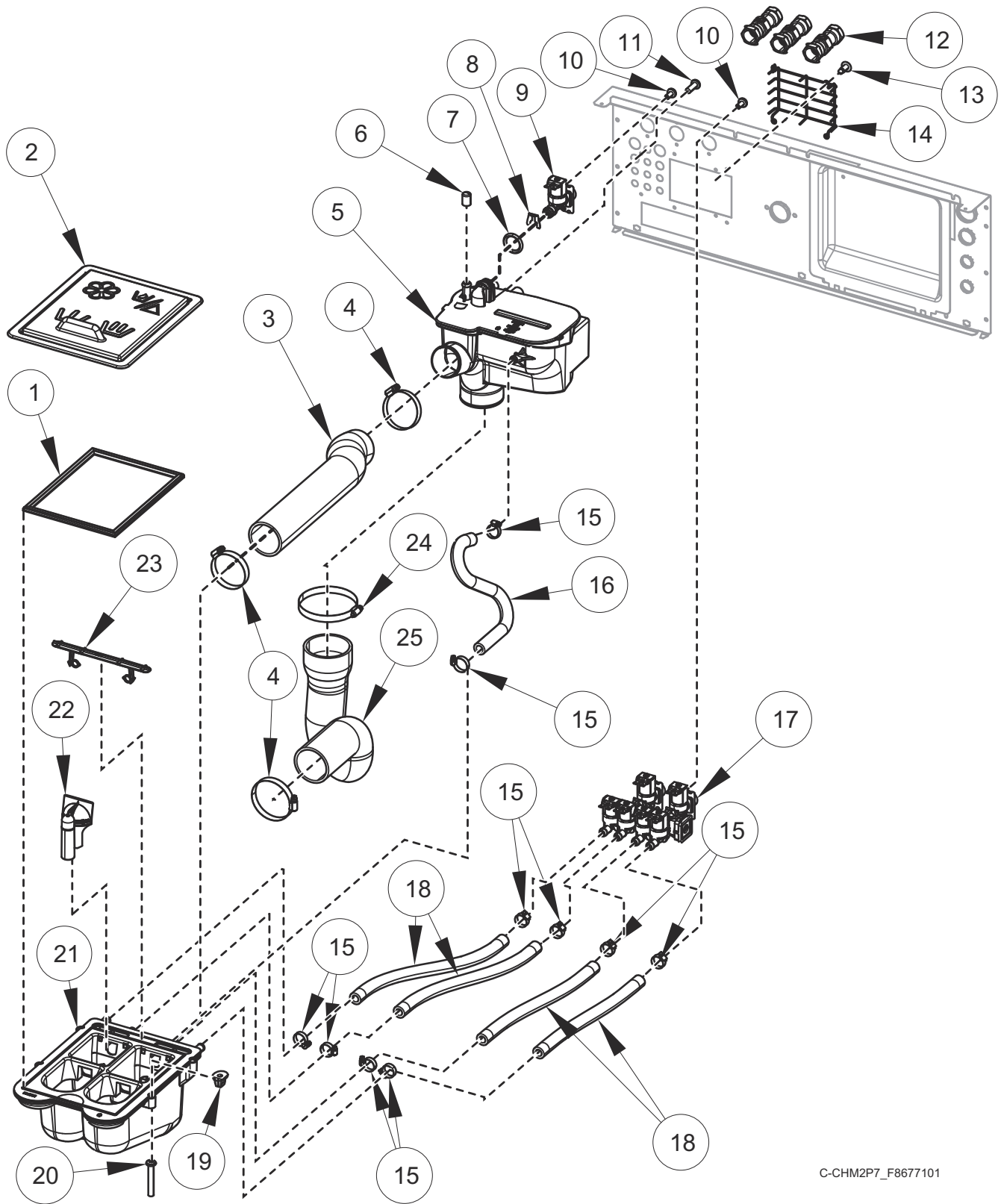


C-CHM8P2\_F8677101

## Pump Drain Plumbing - 20, 30 and 40 Pound Models

REF	PART NO.	DESCRIPTION	COMMENTS
	27154	Drain Hose	Hose to standpipe
	F150352	Overflow Plug	20 pound models
	F8520001	Drain Valve Harness	20 and 30 pound models
	F8520002	Drain Valve Harness	40 pound models
<b>1</b>	F8571301	Bracket	Upper; Elbow mount
<b>2</b>	F8117601	Screw	
<b>3</b>	F8206901	Screw	
<b>4</b>	35766	Drain Hose Elbow	
<b>5</b>	70030501	Expansion Clip	
<b>6</b>	F8571401	Bracket	Lower; Elbow mount
<b>7</b>	44087201	Nut	
<b>8</b>	F200204	Hose Clamp	
<b>9</b>	F8537001	Pump Drain Rear Hose	20 pound models
	F8557001	Pump Drain Rear Hose	30 pound models
	F8557201	Pump Drain Rear Hose	40 pound models
<b>10</b>	F8402801	Bolt	
<b>11</b>	800310	Backflow Preventer	
<b>12</b>	F8536901	Pump Drain Bracket	20 pound models
	F8557101	Pump Drain Bracket	30 pound models
	F8557301	Pump Drain Bracket	40 pound models
<b>13</b>	805723	Pump Drain and Bracket Assembly	120 Volt/60 Hertz; Green
	805613	Pump Drain and Bracket Assembly	208-240 Volt/60 Hertz; Red
	804038	Pump Drain and Bracket Assembly	220-240 Volt/50 Hertz; Blue
<b>14</b>	F200215	Hose Clamp	
<b>15</b>	F8556601	Pump Drain Hose	
<b>16</b>	36802	Hose Clamp	
<b>17</b>	F8579301	Pressure Cap	
<b>18</b>	F200219	Hose Clamp	
<b>19</b>	F8658501	Screw	

# Fill Plumbing - 20 Pound Models

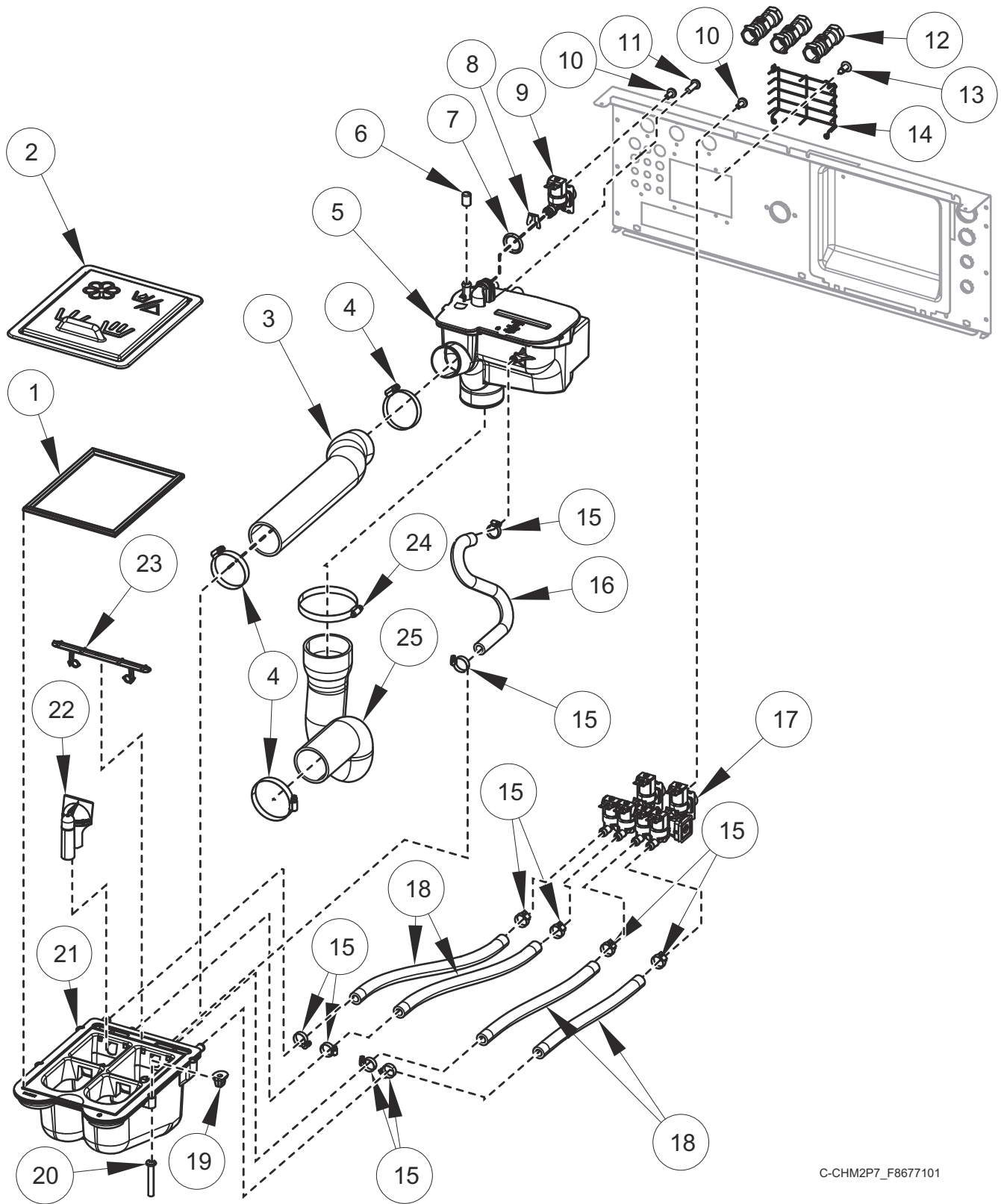


C-CHM2P7\_F8677101

## Fill Plumbing - 20 Pound Models

REF	PART NO.	DESCRIPTION	COMMENTS
	F8047403	Dispenser	Includes Items 21-23
	F8520101	Fill Valve Harness	
	F8665601	Water Hose Kit	Standard thread; Red (hot); Includes 20290 Washer and 803615 Washer Filter
	F8665603	Water Hose Kit	Standard thread; Blue (cold); Includes 20290 Washer and 803615 Washer Filter
	F8665602	Water Hose Kit	Metric thread; Red (hot); Includes 20290 Washer and 803615 Washer Filter
	F8665604	Water Hose Kit	Metric thread; Blue (cold); Includes 20290 Washer and 803615 Washer Filter
	F8671201	Fill Hose Kit	WRAS; Includes item 12 and F8665602 Water Hose Kit
	F8671202	Fill Hose Kit	WRAS; Includes item 12 and F8665604 Water Hose Kit
	F8671101	Fill Hose Kit	Australian watermark; Includes F8665602 Water Hose Kit and B12543901 Check Valve
	F8671102	Fill Hose Kit	Australian watermark; Includes F8665604 Water Hose Kit and B12543901 Check Valve
<b>1</b>	B12568601	Dispenser Gasket	
<b>2</b>	F8563204	Dispenser Cover	Black; Icons and text
	F8563203	Dispenser Cover	Gray; Icons and text
	F8563202	Dispenser Cover	Black; Icons
	F8563201	Dispenser Cover	Gray; Icons
<b>3</b>	F8529401	Supply Vacuum Hose	
<b>4</b>	F200213	Hose Clamp	
<b>5</b>	F8517503	Vacuum Breaker Assembly	With inlet and fill
	F8517502	Vacuum Breaker Assembly	With inlet
	F8517501	Vacuum Breaker Assembly	With fill
	F8517504	Vacuum Breaker Assembly	
<b>6</b>	F8197701	Cap	WRAS
<b>7</b>	F8569101	O-Ring	
<b>8</b>	F8566801	Clip	
<b>9</b>	F8565201	Valve	Standard
	F8565202	Valve	Metric
<b>10</b>	F8230301	Screw	
<b>11</b>	800548	Screw	
<b>12</b>	F8301201	Double Check Valve	WRAS
<b>13</b>	70058501	Pop Rivet	
<b>14</b>	F8589601	Vacuum Breaker Guard	
<b>15</b>	36801	Hose Clamp	
<b>16</b>	F8616401	Rear Vent Hose	
<b>17</b>	F8529701	Manifold Valve	Standard
	F8529702P	Manifold Valve	Metric
<b>18</b>	F8232007	Hose	
<b>19</b>	F0431807-00	Nut	
<b>20</b>	F8535601	Screw	
<b>21</b>	F8437902	Dispenser Weldment	
<b>22</b>	F8047901	Siphon Cover	
<b>23</b>	F8047801	Access Cover	
<b>24</b>	F200201	Hose Clamp	
<b>25</b>	F8529601	P-Trap Hose	

# Fill Plumbing - 30 Pound Models



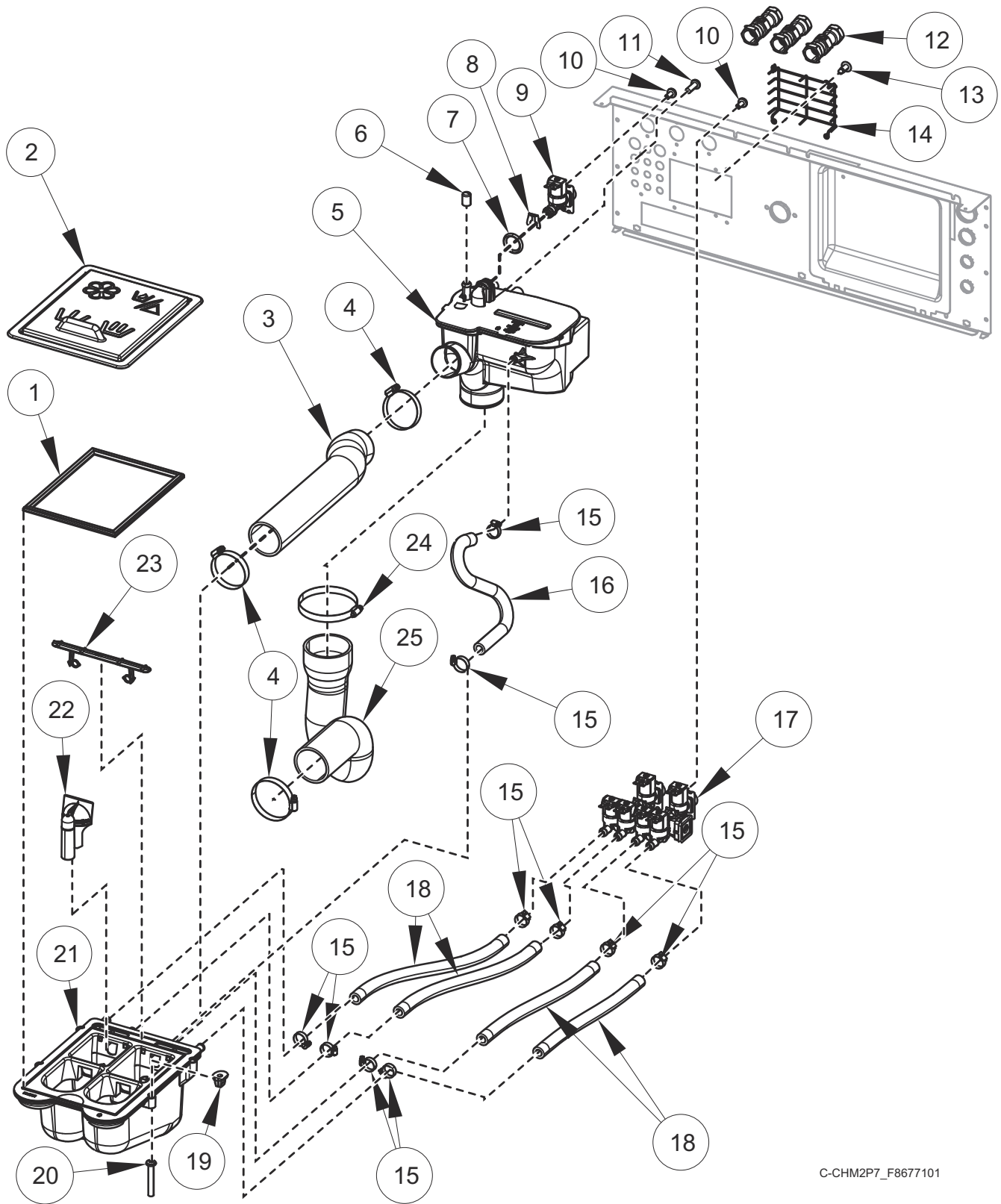
C-CHM2P7\_F8677101



## Fill Plumbing - 30 Pound Models

REF	PART NO.	DESCRIPTION	COMMENTS
	F8047403	Dispenser	Includes Items 21-23
	F8520101	Fill Valve Harness	
	F8665601	Water Hose Kit	Standard thread; Red (hot); Includes 20290 Washer and 803615 Washer Filter
	F8665603	Water Hose Kit	Standard thread; Blue (cold); Includes 20290 Washer and 803615 Washer Filter
	F8665602	Water Hose Kit	Metric thread; Red (hot); Includes 20290 Washer and 803615 Washer Filter
	F8665604	Water Hose Kit	Metric thread; Blue (cold); Includes 20290 Washer and 803615 Washer Filter
	F8671201	Fill Hose Kit	WRAS; Includes item 12 and F8665602 Water Hose Kit
	F8671202	Fill Hose Kit	WRAS; Includes item 12 and F8665604 Water Hose Kit
	F8671101	Fill Hose Kit	Australian watermark; Includes F8665602 Water Hose Kit and B12543901 Check Valve
	F8671102	Fill Hose Kit	Australian watermark; Includes F8665604 Water Hose Kit and B12543901 Check Valve
<b>1</b>	B12568601	Dispenser Gasket	
<b>2</b>	F8563204	Dispenser Cover	Black; Icons and text
	F8563203	Dispenser Cover	Gray; Icons and text
	F8563202	Dispenser Cover	Black; Icons
	F8563201	Dispenser Cover	Gray; Icons
<b>3</b>	F8529402	Supply Vacuum Hose	
<b>4</b>	F200213	Hose Clamp	
<b>5</b>	F8517503	Vacuum Breaker Assembly	With inlet and fill
	F8517502	Vacuum Breaker Assembly	With inlet
	F8517501	Vacuum Breaker Assembly	With fill
	F8517504	Vacuum Breaker Assembly	
<b>6</b>	F8197701	Cap	WRAS
<b>7</b>	F8569101	O-Ring	
<b>8</b>	F8566801	Clip	
<b>9</b>	F8565201	Valve	Standard
	F8565202	Valve	Metric
<b>10</b>	F8230301	Screw	
<b>11</b>	800548	Screw	
<b>12</b>	F8301201	Double Check Valve	WRAS
<b>13</b>	70058501	Pop Rivet	
<b>14</b>	F8589601	Vacuum Breaker Guard	
<b>15</b>	36801	Hose Clamp	
<b>16</b>	F8616402	Rear Vent Hose	
<b>17</b>	F8529701	Manifold Valve	Standard
	F8529702P	Manifold Valve	Metric
<b>18</b>	F8232011	Hose	
<b>19</b>	F0431807-00	Nut	
<b>20</b>	F8535601	Screw	
<b>21</b>	F8437902	Dispenser Weldment	
<b>22</b>	F8047901	Siphon Cover	
<b>23</b>	F8047801	Access Cover	
<b>24</b>	F200201	Hose Clamp	
<b>25</b>	F8529602	P-Trap Hose	

# Fill Plumbing - 40 Pound Models

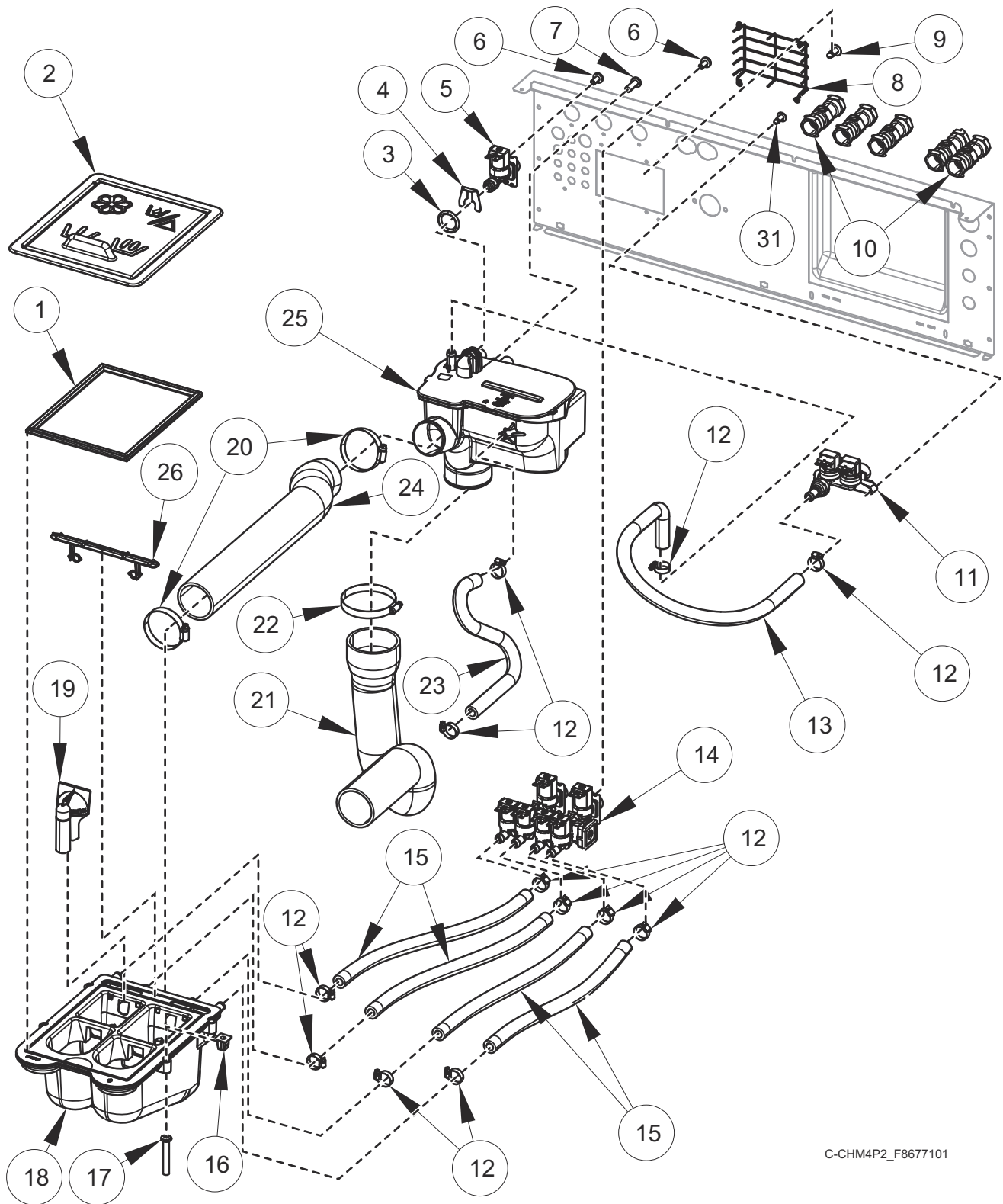


C-CHM2P7\_F8677101

## Fill Plumbing - 40 Pound Models

REF	PART NO.	DESCRIPTION	COMMENTS
	F8047403	Dispenser	Includes Items 21-23
	F8520101	Fill Valve Harness	
	F8665601	Water Hose Kit	Standard thread; Red (hot); Includes 20290 Washer and 803615 Washer Filter
	F8665603	Water Hose Kit	Standard thread; Blue (cold); Includes 20290 Washer and 803615 Washer Filter
	F8665602	Water Hose Kit	Metric thread; Red (hot); Includes 20290 Washer and 803615 Washer Filter
	F8665604	Water Hose Kit	Metric thread; Blue (cold); Includes 20290 Washer and 803615 Washer Filter
	F8671201	Fill Hose Kit	WRAS; Includes item 12 and F8665602 Water Hose Kit
	F8671202	Fill Hose Kit	WRAS; Includes item 12 and F8665604 Water Hose Kit
	F8671101	Fill Hose Kit	Australian watermark; Includes F8665602 Water Hose Kit and B12543901 Check Valve
	F8671102	Fill Hose Kit	Australian watermark; Includes F8665604 Water Hose Kit and B12543901 Check Valve
<b>1</b>	B12568601	Dispenser Gasket	
<b>2</b>	F8563204	Dispenser Cover	Black; Icons and text
	F8563203	Dispenser Cover	Gray; Icons and text
	F8563202	Dispenser Cover	Black; Icons
	F8563201	Dispenser Cover	Gray; Icons
<b>3</b>	F8529403	Supply Vacuum Hose	
<b>4</b>	F200213	Hose Clamp	
<b>5</b>	F8517503	Vacuum Breaker Assembly	With inlet and fill
	F8517502	Vacuum Breaker Assembly	With inlet
	F8517501	Vacuum Breaker Assembly	With fill
	F8517504	Vacuum Breaker Assembly	
<b>6</b>	F8197701	Cap	WRAS
<b>7</b>	F8569101	O-Ring	
<b>8</b>	F8566801	Clip	
<b>9</b>	F8565201	Valve	Standard
	F8565202	Valve	Metric
<b>10</b>	F8230301	Screw	
<b>11</b>	800548	Screw	
<b>12</b>	F8301201	Double Check Valve	WRAS
<b>13</b>	70058501	Pop Rivet	
<b>14</b>	F8589601	Vacuum Breaker Guard	
<b>15</b>	36801	Hose Clamp	
<b>16</b>	F8616402	Rear Vent Hose	
<b>17</b>	F8529701	Manifold Valve	Standard
	F8529702P	Manifold Valve	Metric
<b>18</b>	F8232010	Hose	
<b>19</b>	F0431807-00	Nut	
<b>20</b>	F8535601	Screw	
<b>21</b>	F8437902	Dispenser Weldment	
<b>22</b>	F8047901	Siphon Cover	
<b>23</b>	F8047801	Access Cover	
<b>24</b>	F200201	Hose Clamp	
<b>25</b>	F8529603	P-Trap Hose	

# Fill Plumbing - 60 Pound Models

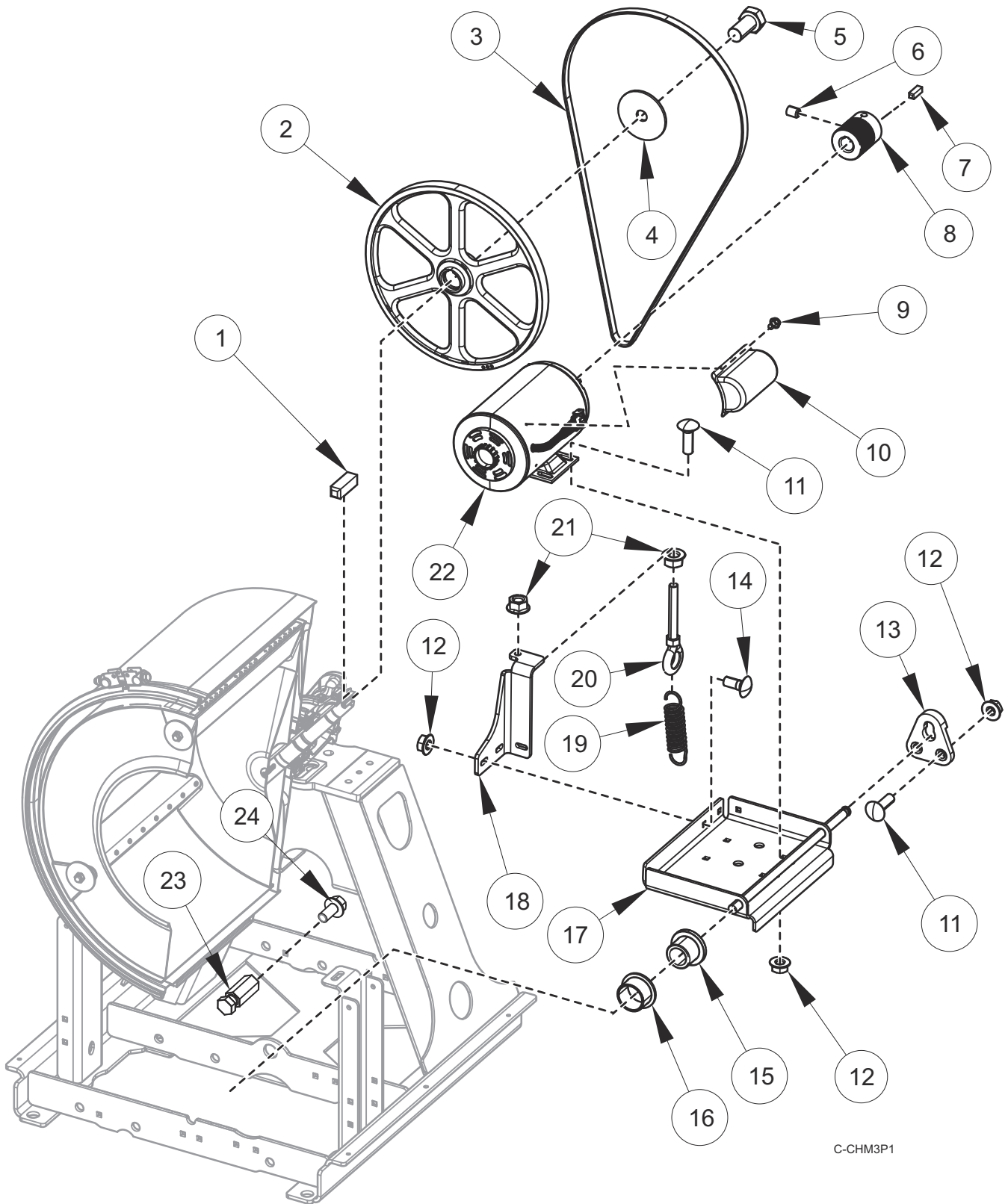


C-CHM4P2\_F8677101

## Fill Plumbing - 60 Pound Models

REF	PART NO.	DESCRIPTION	COMMENTS
	F8047403	Dispenser	Includes Items 18, 19 and 26
	F8520102	Fill Valve Harness	
	223/00243/00	Y-Connector	
	F8665601	Water Hose Kit	Standard thread; Red (hot); Includes 20290 Washer and 803615 Washer Filter
	F8665603	Water Hose Kit	Standard thread; Blue (cold); Includes 20290 Washer and 803615 Washer Filter
	F8665602	Water Hose Kit	Metric thread; Red (hot); Includes 20290 Washer and 803615 Washer Filter
	F8665604	Water Hose Kit	Metric thread; Blue (cold); Includes 20290 Washer and 803615 Washer Filter
	F8671201	Fill Hose Kit	WRAS; Includes item 11 and F8665602 Water Hose Kit
	F8671202	Fill Hose Kit	WRAS; Includes item 11 and F8665604 Water Hose Kit
	F8671101	Fill Hose Kit	Australian watermark; Includes F8665602 Water Hose Kit and B12543901 Check Valve
	F8671102	Fill Hose Kit	Australian watermark; Includes F8665604 Water Hose Kit and B12543901 Check Valve
<b>1</b>	B12568601	Dispenser Gasket	
<b>2</b>	F8563204	Dispenser Cover	Black; Icons and text
	F8563203	Dispenser Cover	Gray; Icons and text
	F8563202	Dispenser Cover	Black; Icons
	F8563201	Dispenser Cover	Gray; Icons
<b>3</b>	F8569101	O-Ring	
<b>4</b>	F8566801	Clip	
<b>5</b>	F8565201	Valve	3/4 inch; Standard
	F8565202	Valve	3/4 inch; Metric
<b>6</b>	F8230301	Screw	
<b>7</b>	800548	Screw	
<b>8</b>	F8589601	Vacuum Breaker Guard	
<b>9</b>	70058501	Pop Rivet	
<b>10</b>	F8301201	Double Check Valve	WRAS
<b>11</b>	F8434003	Mixing Valve	Standard
	F8434004	Mixing Valve	Metric
<b>12</b>	36801	Hose Clamp	
<b>13</b>	F8598501	Auxiliary Fill Hose	
<b>14</b>	F8529701	Manifold Valve	Standard
	F8529702P	Manifold Valve	Metric
<b>15</b>	F8232012	Hose	
<b>16</b>	F0431807-00	Nut	
<b>17</b>	F8535601	Screw	
<b>18</b>	F8437902	Dispenser Weldment	
<b>19</b>	F8047901	Siphon Cover	
<b>20</b>	F200213	Hose Clamp	
<b>21</b>	F8529604	P-Trap Hose	
<b>22</b>	F200201	Hose Clamp	
<b>23</b>	F8616404	Rear Vent Hose	
<b>24</b>	F8529404	Supply Vacuum Hose	
<b>25</b>	F8517503	Vacuum Breaker Assembly	With inlet and fill
	F8517502	Vacuum Breaker Assembly	With inlet; WRAS
	F8517501	Vacuum Breaker Assembly	With fill; WRAS
	F8517504	Vacuum Breaker Assembly	
<b>26</b>	F8047801	Access Cover	

# Motor, Pulley and Belt - 20 and 30 Pound Models

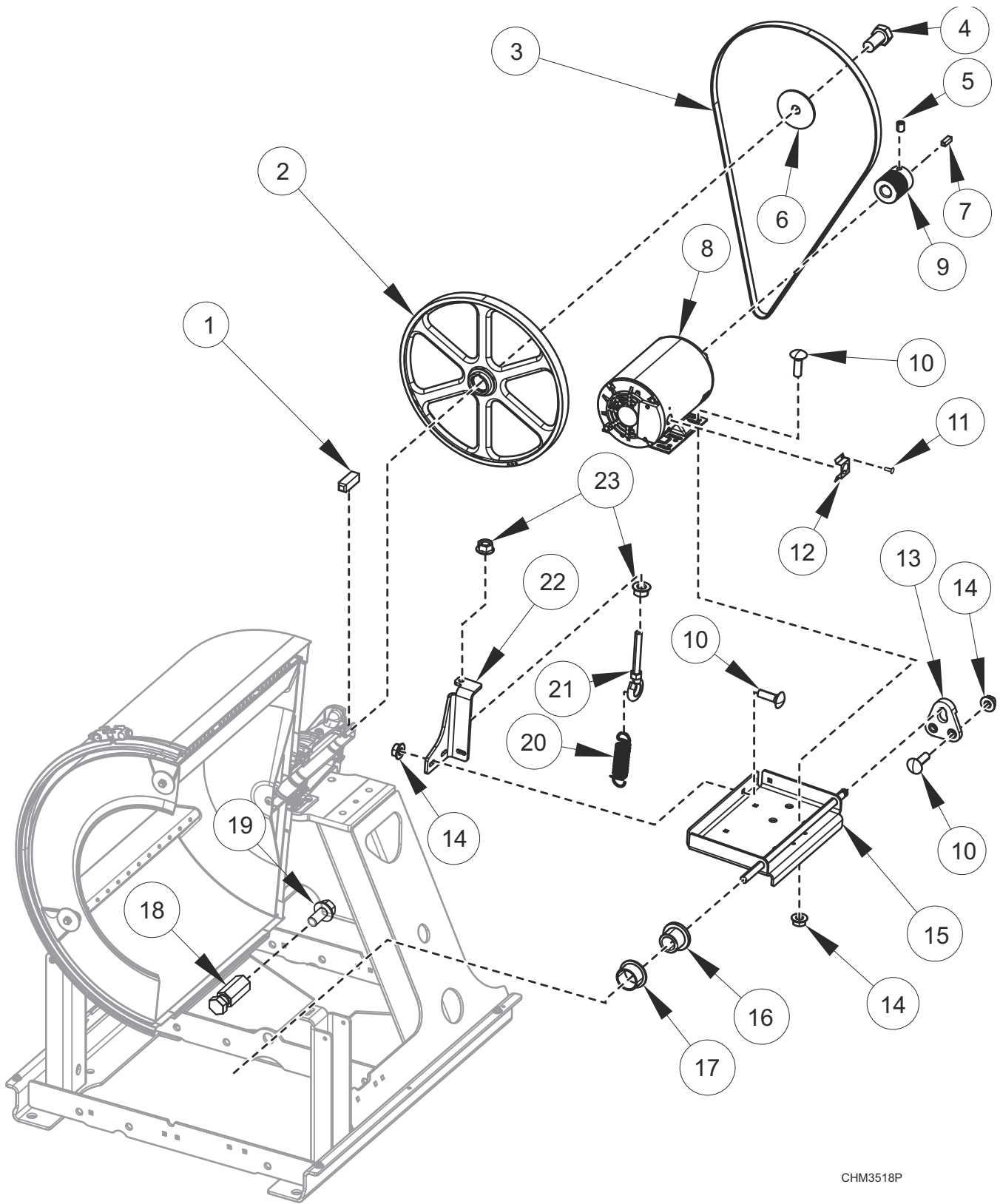


C-CHM3P1

## Motor, Pulley and Belt - 20 and 30 Pound Models

REF	PART NO.	DESCRIPTION	COMMENTS
	F8748601	Spring Stud Kit	
	F8733806	Gasket	1 hp; EMI 17.8 inch
	F8733801	Gasket	1 hp; EMI 21 inch
	F8733802	Gasket	1 hp; EMI 24 inch
	F8519001	Motor Harness	1 hp; 120-240 Volt
	F8719401	Motor Harness	1 hp; 120-240 Volt IEC shielded models starting September 2021
	F8719402	Motor Harness	1 hp; 380-480 Volt IEC shielded models starting September 2021
	F8519006	Motor Harness	1 hp; 120-240 Volt; EMI filter; models through August 2021
	F8519002	Motor Harness	1 hp; 380-480 Volt
	F8519007	Motor Harness	1 hp; 380-480 Volt; EMI filter; models through August 2021
<b>1</b>	F430801	Key	
<b>2</b>	F8511601	Basket Pulley	20 pound models
	F8511701	Basket Pulley	30 pound models
<b>3</b>	F8382811	Belt	20 pound models; Poly-V; 560J6
	F8382812	Belt	30 pound models; Poly-V; 690J6
<b>4</b>	F431115	Washer	
<b>5</b>	F8574001	Screw	
<b>6</b>	M400077	Screw	
<b>7</b>	H8752006H	Key	
<b>8</b>	F8525301	Motor Pulley	
<b>9</b>	23222	Screw	
<b>10</b>	70521901	Motor Conduit Mounting Bracket	Models through August 2021
	F8732401	Motor Conduit Mounting Bracket	Models starting September 2021
<b>11</b>	F8402801	Bolt	
<b>12</b>	44087201	Nut	
<b>13</b>	F8441101	Motor Rod Plate	
<b>14</b>	70062401	Bolt	
<b>15</b>	F8535202	Flanged Isolator	
<b>16</b>	F8333302	Flanged Bushing	
<b>17</b>	F8589001	Motor Bracket Weldment	
<b>18</b>	F8581201	Spring Bracket	
<b>19</b>	F310124	Extension Spring	
<b>20</b>	F8319503	Eye Bolt	
<b>21</b>	44087301	Nut	
<b>22</b>	F8509601P	Motor	1 hp; 230 Volt
	F8509701	Motor	1 hp; 460 Volt
<b>23</b>	F8634701	Stud	
<b>24</b>	70126104	Screw	

# Motor, Pulley and Belt - 40 and 60 Pound Models



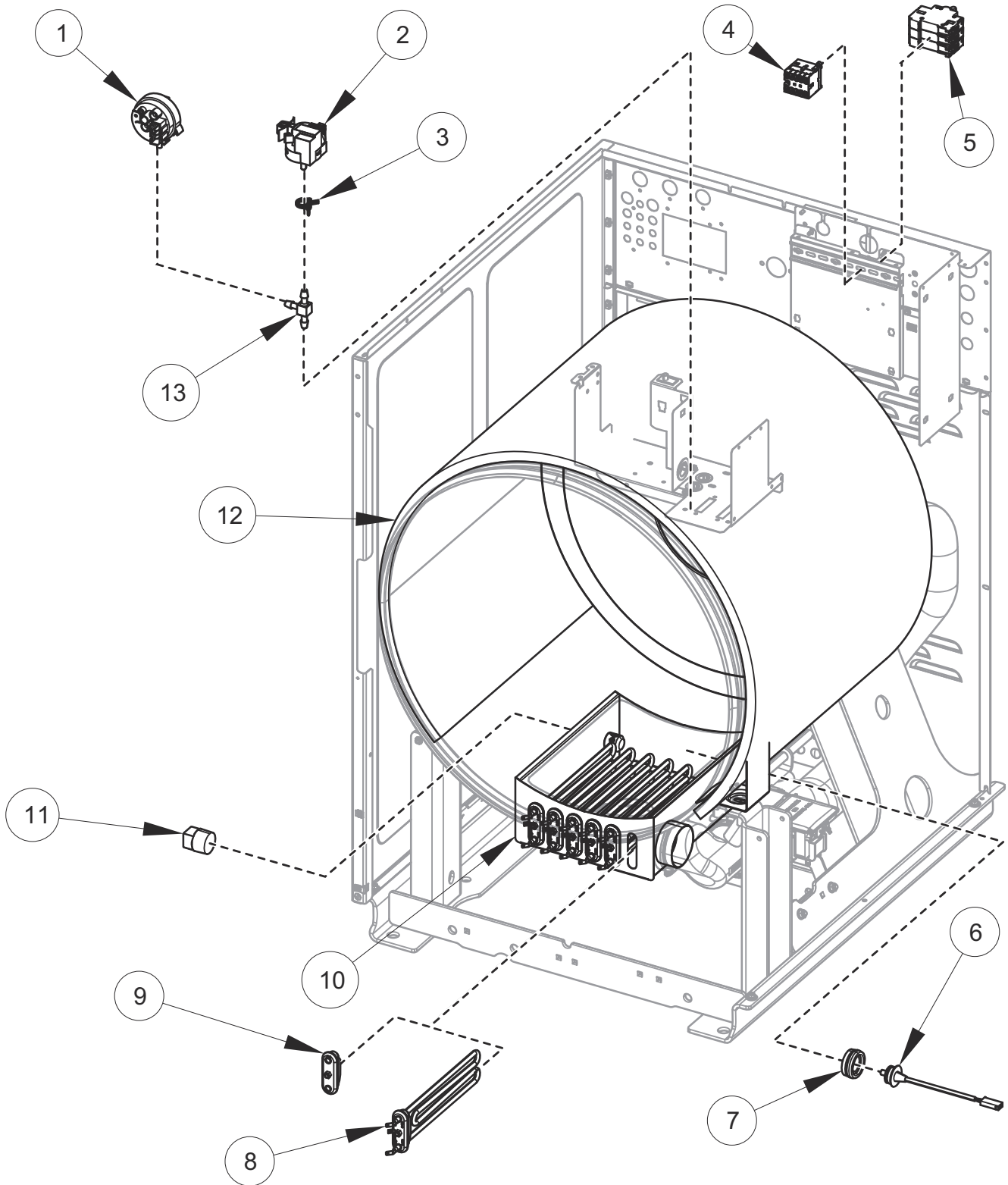
CHM3518P



## Motor, Pulley and Belt - 40 and 60 Pound Models

REF	PART NO.	DESCRIPTION	COMMENTS
	F8748601	Spring Stud Kit	
	F8733806	Gasket	1 hp; EMI 17.8 inch
	F8733803	Gasket	1 hp; EMI 25.6 inch
	F8733804	Gasket	1 hp; EMI 29 inch
	F8519003	Motor Harness	2-3 hp; 240 Volt; B, Q, W, X and Y voltage
	F8719403	Motor Harness	2-3 hp; B, Q, W, X and Y voltage; IEC shielded models starting September 2021
	F8519004	Motor Harness	2-3 hp; 480 Volt; N and P voltage
	F8719404	Motor Harness	2-3 hp; 480 Volt; N and P voltage; IEC shielded models starting September 2021
	F8519008	Motor Harness	B, Q, W, X and Y voltage; EMI filter models through August 2021
	F8519009	Motor Harness	N and P voltage; EMI filter models through August 2021
<b>1</b>	F430801	Key	
<b>2</b>	F8511701	Basket Pulley	40 pound models
	F8511801	Basket Pulley	60 pound models
<b>3</b>	F8382813	Belt	40 pound models; Poly-V; 717J8
	F8382818	Belt	60 pound models; Poly-V; 765J10
<b>4</b>	F8574001	Screw	
<b>5</b>	M400077	Screw	
<b>6</b>	F431115	Washer	
<b>7</b>	H8752006H	Key	
<b>8</b>	F8564101P	Motor	2 hp; 230/460 Volt; 40 pound models
	F8564102P	Motor	3 hp; 230/460 Volt; 60 pound models
<b>9</b>	F8525301	Motor Pulley	40 pound models
	F8525302	Motor Pulley	60 pound models
<b>10</b>	F8402801	Bolt	
<b>11</b>	23222	Screw	
<b>12</b>	F8732801	Bracket	
<b>13</b>	F8441101	Motor Rod Plate	
<b>14</b>	44087201	Nut	
<b>15</b>	F8589002	Motor Bracket Weldment	
<b>16</b>	F8535202	Flanged Isolator	
<b>17</b>	F8333302	Flanged Bushing	
<b>18</b>	F8634701	Stud	
<b>19</b>	70126104	Screw	
<b>20</b>	F310124	Extension Spring	40 pound models
	F8440701	Extension Spring	60 pound models
<b>21</b>	F8319503	Eye Bolt	
<b>22</b>	F8581201	Spring Bracket	
<b>23</b>	44087301	Nut	

# Electric Heating

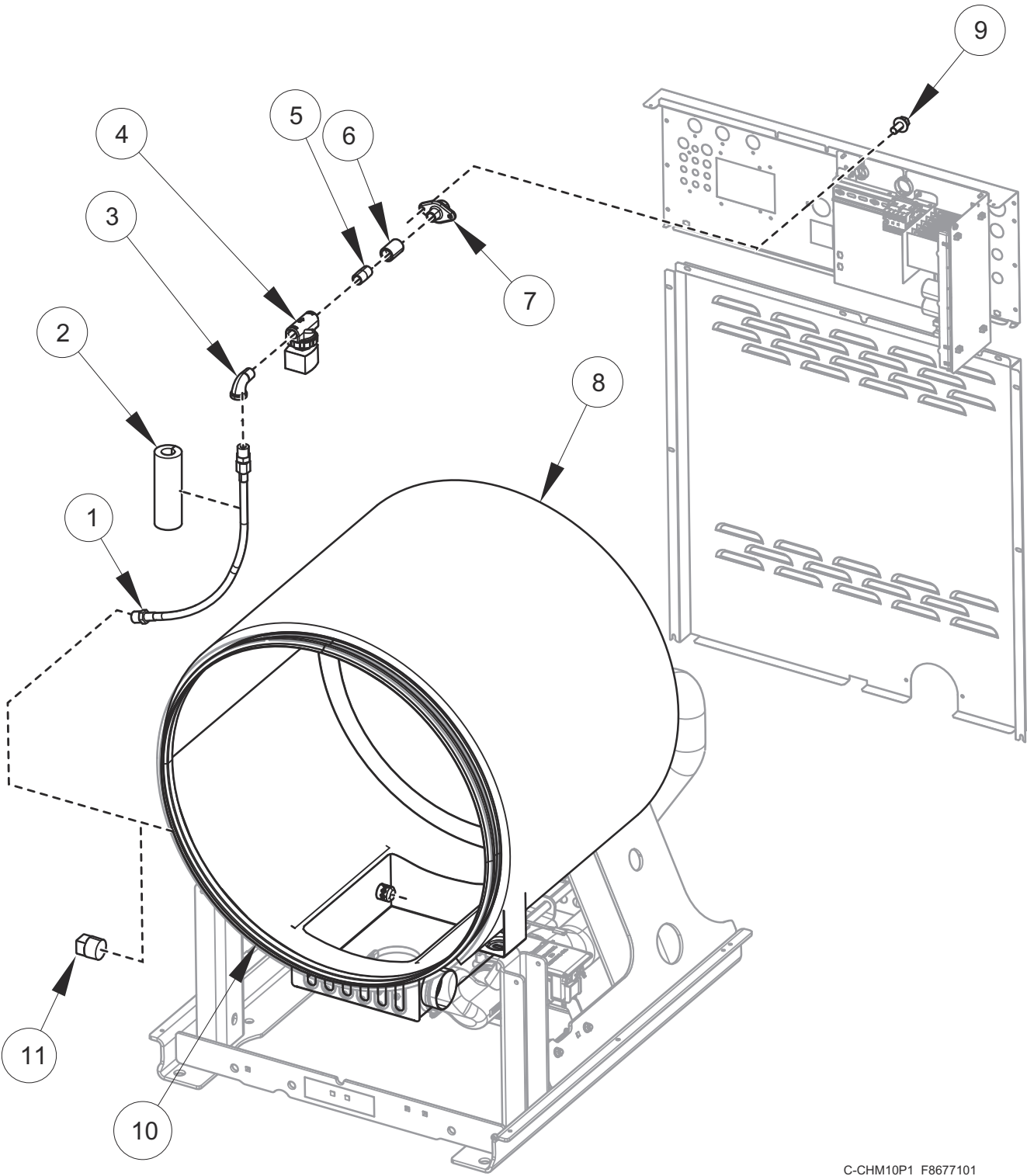


C-CHM8P6\_F8677101

# Electric Heating

REF	PART NO.	DESCRIPTION	COMMENTS
	F8584801	Electric Heat Element Harness	3 element ground
	F8584802	Electric Heat Element Harness	6 element ground
	F8619101	Power Harness	
	F8564001	Harness	Heater; 20 and 30 pound models; N and P Voltage
	F8564002	Harness	Heater; 20 and 30 pound models; Q Voltage
	F8564003	Harness	Heater; 40 and 60 pound models; N, P and Q Voltage
	F8598301	Harness	Thermistor; 20 and 30 pound models
	F8598302	Harness	Thermistor; 40 and 60 pound models
	F8568901	Jumper	40 and 60 pound models with N voltage
	F8569001	Jumper	40 and 60 pound models with P voltage; 20 and 30 pound models with N and P voltage
<b>1</b>	F8609101	Water Level Pressure Switch	
<b>2</b>	F8623401	Pressure Sensor	
<b>3</b>	39282	Hose Clamp	
<b>4</b>	70482601	Contactactor	
<b>5</b>	70488101	Circuit Breaker	
<b>6</b>	F8538801	Thermistor	
<b>7</b>	2251000400	Temperature Probe Grommet	
<b>8</b>	F8568401	Heating Element	2600W; 240 Volt
	F8568402	Heating Element	3400W; 277 Volt
	F8568301	Heating Element	4200W; 230 Volt
<b>9</b>	F360202	Heating Element Plug	
<b>10</b>	F8512102	Shell	20 pound models
	F8514002	Shell	30 pound models
	F8512202	Shell	40 pound models
	F8543702	Shell	60 pound models
<b>11</b>	F420408	Plug	20, 30 and 40 pound models
	F420409	Plug	60 pound models
<b>12</b>	F8209101	Insulation	20 pound models
	F8209102	Insulation	30 pound models
	F8209103	Insulation	40 pound models
	F8209104	Insulation	60 pound models
<b>13</b>	203464	Barbed Tee	

# Steam Heating - 40 and 60 Pound Models

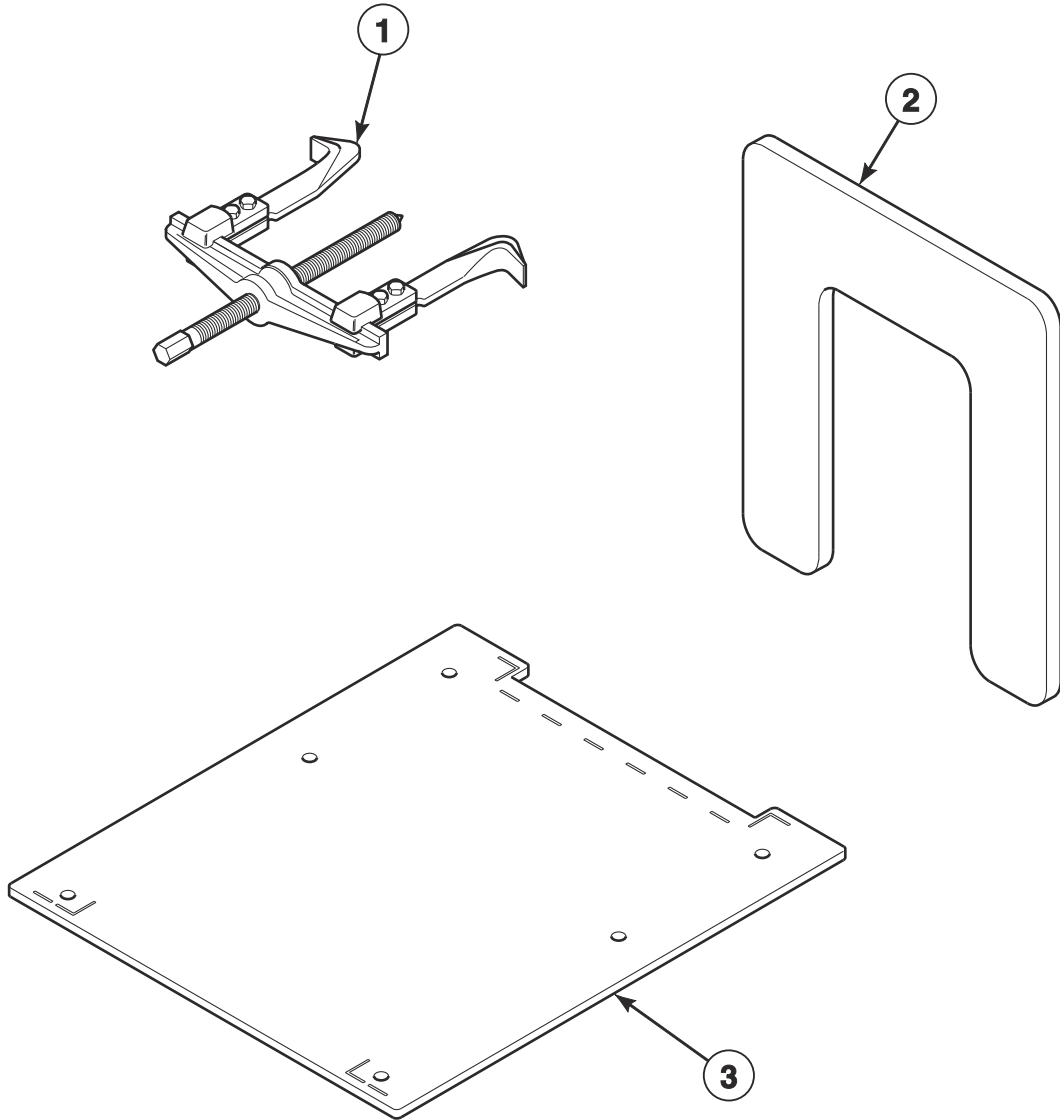


C-CHM10P1\_F8677101

## Steam Heating - 40 and 60 Pound Models

REF	PART NO.	DESCRIPTION	COMMENTS
	F8662602	Steam Kit	40 pound models; Includes Items 1-8, 10, 901403 Nipple, 7021401 Nipple, F270307 Steam Filter, F8520704 Harness, insulation and labels
	F8662601	Steam Kit	60 pound models; Includes Items 1-8, 10, 901403 Nipple, 7021401 Nipple, F270307 Steam Filter, F8520704 Harness, insulation and labels
	F270307	Steam Filter	1/2 inch
	F270308	Steam Filter	3/4 inch
	F8520704	Harness	Steam Valve
	F410300	Pipe Insulation	36 inch
	F8233704	Insulation	Steam pipe; 12 inch
	F8233708	Pipe Insulation	Steam pipe; 20 inch
<b>1</b>	F200153P	Steam Hose	40 pound models
	F200197	Steam Hose	60 pound models
<b>2</b>	F8233702	Insulation	6 inch
<b>3</b>	H86070034	Street Elbow	
<b>4</b>	F8322805	Valve	
	F8515001	Coil	
<b>5</b>	70435601	Pipe Nipple	
<b>6</b>	F8116301	Coupling	
<b>7</b>	F8362701	Coupling	
<b>8</b>	F8209103	Insulation	40 pound models
	F8209104	Insulation	60 pound models
<b>9</b>	70321501	Screw	
<b>10</b>	F8512202	Shell	40 pound models
	F8543702	Shell	60 pound models
<b>11</b>	F420408	Plug	40 pound models
	F420409	Plug	60 pound models

# Special Tools and Kits



CHM3486P\_F8677101

## Special Tools and Kits

REF	PART NO.	DESCRIPTION	COMMENTS
	F8673201	Central Pay Kit	20, 30 and 40 pound models without external supply board; N, P, Q, W, X and Y voltage; Includes F140938 Snap Bushing, 204094 Central Pay Assembly, 202758 Transformer, hardware and harnesses
	F8673203	Central Pay Kit	20, 30 and 40 pound models with external supply board; N, P, Q, W, X and Y voltage; Includes F140938 Snap Bushing, 204094 Central Pay Assembly, hardware and harnesses
	F8673202	Central Pay Kit	60 pound models without external supply board; N, P, Q, W, X and Y voltage; Includes F140938 Snap Bushing, 204094 Central Pay Assembly, 202758 Transformer, hardware and harnesses
	F8673204	Central Pay Kit	60 pound models with external supply board; N, P, Q, W, X and Y voltage; Includes F140938 Snap Bushing, 204094 Central Pay Assembly, hardware and harnesses
	1111P	Concrete Kit	5/8 inch
	389P4	Basket Tool Kit	Purchase; Requires item 1
	390P4-1	Basket Rental Tool Kit	Purchase; Requires item 1
	203346	USB IR Interface Kit	
	F8673205	Central Pay Kit	20, 30 and 40 pound models without external supply board; B voltage; Includes 204094 Central Pay Assembly, 202757 Transformer, F140938 Bushing, labels, hardware and harnesses
	F8662902	Central Pay Interface Kit	Central pay models with N, P, Q, W, X and Y voltage; Includes 204094 Central Pay Assembly, 202758 Transformer, F140938 Bushing, labels, hardware and harnesses
	F8555406	Connector	8 pin; Use with 204094 Central Pay Assembly
<b>1</b>	F460129P	Basket Puller Tool	
<b>2</b>	F8608502P	Basket Pulley Puller Tool	Use with item 1
<b>3</b>	F8433301	Frame Template	20 pound models
	F8433401	Frame Template	30 pound models
	F8433501	Frame Template	40 pound models
	F8433601	Frame Template	60 pound models





# Parts Index

## A

Access Cover	
F8047801 .....	69, 71, 73, 75
Access Panel	
F8524001 .....	41, 43, 45, 47
F8524101 .....	41, 43, 45, 47
F8524201 .....	41, 43, 45, 47
F8553901 .....	41, 43, 45, 47
Access Panel Retaining Spacer	
F8609701 .....	41, 43, 45, 47
Auxiliary Fill Hose	
F8598501 .....	75

## B

Backflow Preventer	
800310 .....	67
Barbed Tee	
203464 .....	11, 13, 81
Basket	
F8391302 .....	61
F8391304 .....	61
F8391502 .....	61
F8391504 .....	61
F8391702 .....	61
F8391704 .....	61
F8502802 .....	61
F8502805 .....	61
Basket Puller Tool	
F460129P .....	85
Basket Pulley	
F8511601 .....	77
F8511701 .....	77, 79
F8511801 .....	79
Basket Pulley Puller Tool	
F8608502P .....	85
Basket Rental Tool Kit	
390P4-1 .....	85
Basket Tool Kit	
389P4 .....	85
Bearing	
F100108 .....	63
F100123P .....	63
F100134 .....	63
F100135 .....	63
F100136P .....	63
F100137P .....	63
Bearing Housing	
F8246802 .....	63
F8247902 .....	63
F8249902 .....	63
F8250902 .....	63
Bearing Housing Assembly	
F8271601P .....	63
F8271602 .....	63
F8271701P .....	63
F8271702 .....	63
F8271801P .....	63
F8271802 .....	63

F8271901P .....	63
F8271902 .....	63
Belt	
F8382811 .....	77
F8382812 .....	77
F8382813 .....	79
F8382818 .....	79
Bolt	
F430974 .....	53, 55, 57
F8270701 .....	59
F8402801 .....	51, 65, 67, 77, 79
F8508101 .....	53, 55, 57
70062401 .....	77
Bracket	
F8571301 .....	67
F8571401 .....	67
8732801 .....	79
Bushing	
70346501 .....	25, 27, 29, 31, 33, 35

## C

Cabinet Brace	
F8527301 .....	49
F8527401 .....	49
F8527501 .....	49
F8553201 .....	49
Cable	
F8521301 .....	49
Cap	
F8197701 .....	69, 71, 73
Card Plate Assembly	
F8201501 .....	13
Central Pay Harness	
44342801 .....	13
Central Pay Interface Kit	
F8662902 .....	85
Central Pay Kit	
F8673201 .....	85
F8673202 .....	85
F8673203 .....	85
F8673204 .....	85
F8673205 .....	85
Chemical Injection Control	
804528 .....	37
Circuit Breaker	
70488101 .....	29, 31, 33, 35, 81
Clamp Ring Assembly	
F8537804 .....	61
Clip	
F8566801 .....	69, 71, 73, 75
Coil	
F8515001 .....	83
Coin Drawer Assembly	
F8182001 .....	23
Coin Drop	
38963P .....	17
39748 .....	17
70441601P .....	17
70441603 .....	19

N/A items do not appear in index.

Coin Drop Assembly			
201141 .....	17	Dispenser	
210195 .....	19	F8047403 .....	69, 71, 73, 75
210196 .....	19	Dispenser Bracket	
38462P .....	17	F8525701 .....	49
38463 .....	17	Dispenser Cover	
38464P .....	17	F8563201 .....	69, 71, 73, 75
38467 .....	19	F8563202 .....	69, 71, 73, 75
38475 .....	17	F8563203 .....	69, 71, 73, 75
38519 .....	19	F8563204 .....	69, 71, 73, 75
70281102 .....	19	Dispenser Gasket	
70283102 .....	19	B12568601 .....	69, 71, 73, 75
70441602 .....	19	Dispenser Weldment	
70447301 .....	19	F8437902 .....	69, 71, 73, 75
70471601 .....	17	Door	
70482401 .....	19	F8507501P .....	53
70506901 .....	17	F8507502 .....	53
Coin Drop Kit		F8507602 .....	55
CK077 .....	17	F8507701 .....	57
CK122 .....	21	F8507702 .....	57
Coin Identification Paper		F8752601 .....	55
38725 .....	17, 19, 21	Door Assembly	
Coin Meter		F8617201 .....	53
F0160737-00 .....	19	F8617202 .....	53
Coin Vault Assembly		F8617301 .....	55
F8529101 .....	11	F8617302 .....	55
Coin Vault Bypass Harness		F8617401 .....	57
F8519702 .....	13	F8617402 .....	57
Coin Vault Harness		Door Bezel	
F8519701 .....	11	F170417-1 .....	41, 43, 45, 47
Concrete Kit		F8658701 .....	41, 43
1111P .....	85	F8658801 .....	45, 47
Connector		F8659101 .....	41, 43, 45, 47
F8555406 .....	85	Door Gasket	
70493102 .....	37	F20000202 .....	53
Contactactor		F8111602 .....	55, 57
F330188P .....	81	Door Glass	
70482601 .....	25, 27, 29, 31, 33, 35	F8485301P .....	55
70482701 .....	25, 27, 29, 31, 33, 35	F8485401P .....	57
Contactactor Tray		Door Glass Kit	
F8530901 .....	25, 27, 29, 31, 33, 35	F290205P .....	53
Control Assembly		Door Glass Trim	
F8493901P .....	11, 13	F8583201 .....	53
Control Panel Assembly		F8583202 .....	55
F8523701 .....	41, 43	F8583203 .....	57
F8523704 .....	45, 47	Door Handle	
F8523801 .....	41, 43	F8199401P .....	53, 55, 57
F8523804 .....	45, 47	Door Handle Spacer Kit	
F8523901 .....	41, 43	F8567501 .....	53, 55, 57
F8523904 .....	45, 47	Door Hinge	
F8523904 .....	45, 47	F190216P .....	53, 55, 57
F8553701 .....	41, 43	Door Hinge Shim Kit	
F8553704 .....	45, 47	F200131000P .....	53, 55, 57
Control Tray		Door Latch Arm Assembly	
F8530701 .....	15	F8221403 .....	53, 55, 57
Coupling		Door Lock Assembly	
F8116301 .....	83	F8632401 .....	59
F8362701 .....	83	Door Lock Catch	
		F8344501 .....	59
		Door Lock Cover	
		F8245001 .....	59
		Door Lock Harness	
		F8520201 .....	59
		F8520202 .....	59
		Door Lock Microswitch	
		F200203200 .....	59

## D

Danger Label	
F8614501 .....	9
DIN Rail	
B12315401 .....	29, 31, 33, 35
M412689 .....	25, 27, 29, 31, 33, 35

N/A items do not appear in index.

Door Lock Plate Assembly F8223202 .....	59
Door Lock Plate Shim F83344401 .....	59
Door Lock Solenoid Replacement Kit F977P3 .....	59
Door Lock Switch Lever F8223401 .....	59
Door Mount F150271 .....	53, 55, 57
Double Check Valve F8301201 .....	69, 71, 73, 75
Dowel Pin F8388201 .....	63
Drain Hose F8541901 .....	65
F8542001 .....	65
F8542002 .....	65
27154 .....	67
Drain Hose Elbow 35766 .....	67
Drain Tee F8752101 .....	65
Drain Valve F8406308 .....	65
Drain Valve Bracket F8543101 .....	65
F8543301 .....	65
F8543401 .....	65
F8587701 .....	65
Drain Valve Cover F200133600 .....	65
Drain Valve Harness F8520001 .....	65, 67
F8520002 .....	65, 67
Drain Valve Kit F200166302 .....	65
F200166402 .....	65
F8577201 .....	65
Drive Assembly F8495401P .....	39
F8496001 .....	39
F8496301P .....	39
F8496901 .....	39
Drive Communication Harness F8519201 .....	39
F8519202 .....	39
F8519203 .....	39
F8519204 .....	39
Drive Mounting Bracket F8322401 .....	39
Drive Panel Base Assembly F8567001 .....	25, 27, 29, 31
F8567002 .....	29, 31
F8567003 .....	33, 35
F8567004 .....	33, 35
Drive Power Harness F8518601 .....	39
F8518602 .....	39
F8518603 .....	39
Drive Shield F8616901 .....	25, 27, 29, 31, 33, 35
Drive Terminal Tray F8530801 .....	25, 27, 29, 31
F8530803 .....	33, 35

## E

Electric Heat Element Harness F8584801 .....	81
F8584802 .....	81
Electronic Coin Drop Assembly 70294107 .....	21
70513302 .....	21
70513303 .....	21
70513304 .....	21
70513306 .....	21
70513309 .....	21
70513310 .....	21
70513311 .....	21
70513312 .....	21
70513313 .....	21
70513314 .....	21
70513315 .....	21
70513316 .....	21
Electronic Coin Drop Kit CK099 .....	21
CK100 .....	21
CK101 .....	21
CK108 .....	21
CK109 .....	21
CK110 .....	21
CK113 .....	21
CK115 .....	21
CK116 .....	21
CK117 .....	21
CK118 .....	21
CK119 .....	21
CK120 .....	21
CK121 .....	21
CK500 .....	21
Emergency Stop Bypass Harness F8519403 .....	13
F8549403 .....	11
EMI Filter F8591601 .....	25, 29
F8591801 .....	27, 31, 33
F8637501 .....	27, 31, 35
End Stop F8449801 .....	25, 27, 29, 31, 33, 35
Excluder Seal F8337002 .....	61
Expansion Clip 70030501 ...	15, 25, 27, 29, 31, 33, 35, 39, 41, 43, 45, 47, ..... 49, 51, 59, 67
Extension Spring F310124 .....	77, 79
F8440701 .....	79
External Supply Kit F8662501 .....	37
F8662502 .....	37
F8662503 .....	37
F8662504 .....	37
F8662505 .....	37
F8662506 .....	37
F8662507 .....	37
F8662508 .....	37
Eye Bolt F8319503 .....	77, 79

N/A items do not appear in index.

---

**F**

Fill Hose Kit	
F8671101 .....	69, 71, 73, 75
F8671102 .....	69, 71, 73, 75
F8671201 .....	69, 71, 73, 75
F8671202 .....	69, 71, 73, 75
Fill Valve Harness	
F8520101 .....	69, 71, 73
F8520102 .....	75
Filter Kit	
F8662801 .....	25
F8662802 .....	29
F8662803 .....	27
F8662804 .....	31, 33
F8662805 .....	27
F8662806 .....	31, 35
F8662809 .....	27
F8662810 .....	27
F8662811 .....	31, 33
F8662812 .....	31, 35
Flanged Bushing	
F8333302 .....	77, 79
Flanged Isolator	
F8535202 .....	77, 79
Frame Template	
F8433301 .....	85
F8433401 .....	85
F8433501 .....	85
F8433601 .....	85
Front Panel	
F8524301 .....	41
F8524302 .....	45
F8524303 .....	43
F8524304 .....	47
F8524401 .....	41
F8524402 .....	45
F8524403 .....	43
F8524404 .....	47
F8524501 .....	41
F8524502 .....	45
F8524503 .....	43
F8524504 .....	47
F8554001 .....	41
F8554002 .....	45
F8554003 .....	43
F8554004 .....	47
Front Tray Assembly	
F8531001 .....	11, 13
F8567301 .....	11
F8567302 .....	11
F8567303 .....	11
F8567304 .....	11
F8567305 .....	11
F8567306 .....	11
F8567307 .....	13
F8567308 .....	13
F8567309 .....	13
F8567310 .....	13
F8567311 .....	13
F8567312 .....	13

---

**G**

Gasket	
F8542601 .....	49
F8733801 .....	77
F8733802 .....	77
F8733803 .....	79
F8733804 .....	79
F8733806 .....	77, 79
Gateway	
205223P .....	15
205391P .....	15
Ground Lug Connector	
M411283 .....	25, 27, 29, 31, 33, 35

---

**H**

Harness	
F8518401 .....	27, 31, 33
F8518402 .....	25, 27
F8518403 .....	31, 33
F8518404 .....	25, 27, 33
F8518405 .....	25, 29
F8518501 .....	25, 27, 31, 35
F8518502 .....	27
F8518503 .....	31, 35
F8518504 .....	27, 31
F8518604 .....	29
F8518605 .....	27, 31, 35, 39
F8518606 .....	27, 31, 35, 39
F8518607 .....	33
F8519301 .....	11, 13
F8519501 .....	11, 13
F8519502 .....	11, 13
F8519601 .....	11, 13
F8520601 .....	37
F8520602 .....	37
F8520704 .....	83
F8528001 .....	27, 29, 31, 33, 35
F8528002 .....	27
F8528003 .....	29, 31, 33, 35
F8528004 .....	25, 29
F8528005 .....	27, 31, 33, 35
F8528006 .....	25, 29
F8528203 .....	37
F8528204 .....	37
F8564001 .....	81
F8564002 .....	81
F8564003 .....	81
F8598301 .....	61, 81
F8598302 .....	61, 81
F8619102 .....	25, 27, 29, 31, 33, 35
Harness Support Bracket	
F8744301 .....	25, 27, 29, 31, 33, 35
Heating Element	
F8568301 .....	81
F8568401 .....	81
F8568402 .....	81
Heating Element Plug	
F360202 .....	81
Hole Plug	
F8223801 .....	49
Hose	
F8232007 .....	69
F8232010 .....	73

N/A items do not appear in index.

F8232011 .....	71
F8232012 .....	75
Hose Clamp	
F200201 .....	65, 69, 71, 73, 75
F200204 .....	67
F200213 .....	65, 69, 71, 73, 75
F200215 .....	67
F200219 .....	67
36801 .....	69, 71, 73, 75
36802 .....	65, 67
39282 .....	11, 13, 81
Hot Surface Warning Label	
F8609001 .....	9
F8614301 .....	9

## I

Input and Output Control Assembly	
F8494101P .....	15
Insulation	
F8209101 .....	81
F8209102 .....	81
F8209103 .....	81, 83
F8209104 .....	81, 83
F8233702 .....	83
F8233704 .....	83
Insulator	
M413862 .....	25, 27, 29, 31, 33, 35

## J

Jumper	
F8568901 .....	81
F8569001 .....	81
F8583501 .....	29, 31, 33, 35

## K

Key	
F160420 .....	23
F430801 .....	77, 79
H8752006H .....	77, 79
70155603 .....	49

## L

Label	
D516100 .....	25, 27, 29, 31, 33, 35
F8601301 .....	9
F8602401 .....	9
F8609401 .....	9
F8611301 .....	9, 49
F8611401 .....	9, 49
F8611601 .....	9
F8614801 .....	9
203853 .....	9
44286801 .....	25, 29
44286803 .....	27, 31, 35

## M

Machine ID Control Assembly	
203361P .....	11, 13
Magnet	
F8390801 .....	53, 55, 57
Male Tab Terminal	
00621SG .....	25, 27, 29, 31, 33, 35
Manifold Valve	
F8529701 .....	69, 71, 73, 75
F8529702P .....	69, 71, 73, 75
Mixing Valve	
F8434003 .....	75
F8434004 .....	75
Motor	
F8509601P .....	77
F8509701 .....	77
F8564101P .....	79
F8564102P .....	79
Motor Bracket Weldment	
F8589001 .....	77
F8589002 .....	79
Motor Conduit Mounting Bracket	
F8732401 .....	77
70521901 .....	77
Motor Harness	
F8519001 .....	77
F8519002 .....	77
F8519003 .....	79
F8519004 .....	79
F8519006 .....	77
F8519007 .....	77
F8519008 .....	79
F8519009 .....	79
F8719401 .....	77
F8719402 .....	77
F8719403 .....	79
F8719404 .....	79
Motor Pulley	
F8525301 .....	77, 79
F8525302 .....	79
Motor Rod Plate	
F8441101 .....	77, 79
Mounting Plate	
70208801 .....	13

## N

Nut	
C001236 .....	53, 57
F0431807-00 .....	69, 71, 73, 75
F430215 .....	21, 53, 55, 57
F430218 .....	61
F430225 .....	59
F430232 .....	53, 55, 57, 59
F431024 .....	55, 59
F431041 .....	53, 55, 57
F8387701 .....	63
44087201 .....	51, 65, 67, 77, 79
44087301 .....	61, 77, 79
44088001 .....	25, 27, 29, 31, 33, 35
44088801 .....	49
685846 .....	11, 13, 17, 19
70030401 .....	65

N/A items do not appear in index.

---

## O

Opto Coupler	
200674P .....	17, 19
O-Ring	
F8569101 .....	69, 71, 73, 75
Overflow Hose	
F8521201 .....	65
F8522401 .....	65
F8522501 .....	65
Overflow Plug	
F150352 .....	67
Overlay	
F8655701 .....	41
F8655702 .....	41
F8655703 .....	45
F8655801 .....	41
F8655802 .....	41
F8655803 .....	45
F8655901 .....	41
F8655902 .....	41
F8655903 .....	45
F8656001 .....	41
F8656002 .....	41
F8656003 .....	45
F8656401 .....	43
F8656402 .....	43
F8656403 .....	47
F8656404 .....	47
F8656501 .....	43
F8656502 .....	43
F8656503 .....	47
F8656504 .....	47
F8656601 .....	43
F8656602 .....	43
F8656603 .....	47
F8656604 .....	47
F8656701 .....	43
F8656702 .....	43
F8656703 .....	47
F8656704 .....	47
70557001 .....	45, 47
70557002 .....	45, 47

---

## P

Panel Locator	
56079 .....	41, 43, 45, 47, 51
Panel Lock	
44089303P .....	49
Payment Center Kit	
205067 .....	13
205068 .....	13
Pin	
F8302701 .....	61
F8502101 .....	51
Pinch Warning Label	
F8615701 .....	9
70538401 .....	9
Pipe Insulation	
F410300 .....	83
F8233708 .....	83
Pipe Nipple	
70435601 .....	83

## Plug

F420408 .....	81, 83
F420409 .....	81, 83
F8223901 .....	49
M400985 .....	49

## Pop Rivet

F431215 .....	41, 43, 45, 47, 49
F431223 .....	53, 55, 57
M400003 .....	15, 25, 27, 29, 31, 33, 35
70058501 ...	11, 17, 19, 25, 27, 29, 31, 33, 35, 69, 71, 73, .....
73, .....	75
70412601 .....	41, 43, 45, 47

## Power Distribution Block

M413865 .....	25, 27, 29, 31, 33, 35
---------------	------------------------

## Power Distribution Block Cover

44014901P .....	25, 27, 29, 31, 33, 35
-----------------	------------------------

## Power Harness

F8619101 .....	25, 27, 29, 31, 33, 35, 81
----------------	----------------------------

## Pressure Cap

F8579301 .....	65, 67
----------------	--------

## Pressure Sensor

F8623401 .....	11, 13, 81
----------------	------------

## P-Trap Hose

F8529601 .....	69
F8529602 .....	71
F8529603 .....	73
F8529604 .....	75

## Pulse Expander Assembly

F8034701P .....	21
-----------------	----

## Pump Drain and Bracket Assembly

804038 .....	67
805613 .....	67
805723 .....	67

## Pump Drain Bracket

F8536901 .....	67
F8557101 .....	67
F8557301 .....	67

## Pump Drain Hose

F8556601 .....	67
----------------	----

## Pump Drain Rear Hose

F8537001 .....	67
F8557001 .....	67
F8557201 .....	67

## Pushbutton Switch

70413301 .....	49
----------------	----

---

## R

### Radial Lip Seal

F8203816 .....	63
----------------	----

### Rear Drain Hose

F8543001 .....	65
F8543201 .....	65
F8543501 .....	65
F8587301 .....	65

### Rear Panel

F8527001 .....	49
F8527101 .....	49
F8527201 .....	49
F8554501 .....	49

### Rear Vent Hose

F8616401 .....	69
F8616402 .....	71, 73
F8616404 .....	75

N/A items do not appear in index.

Reed Switch Assembly	
F8066804	59
Retaining Ring	
F8337801	63
F8337901	63
F8344901	63
F8345001	63
Rivet	
M412763	41, 43, 45, 47, 51
Rod	
F602813-2	53, 55, 57

## S

Screw	
D503688	39
F430532	53
F430533	55, 57
F430536	53, 55, 57
F8117601	41, 43, 45, 47, 49, 51, 59, 67
F8206901	15, 25, 27, 29, 31, 33, 35, 49, 67
F8230301	69, 71, 73, 75
F8368801	63
F8442702	63
F8535501	53, 55, 57
F8535601	69, 71, 73, 75
F8574001	77, 79
F8589501	41, 43, 45, 47
F8621601	61
F8658501	67
F8673701	61
M400077	77, 79
202175	65
23222	77, 79
33562	49
39733	25, 27, 29, 31, 33, 35
403497	37
430497	15
51780	49
51783	25, 27, 29, 31, 33, 35
685837	25, 27, 29, 31, 33, 35
70126104	77, 79
70321501	83
800548	69, 71, 73, 75
Seal Scupper Pad	
F8350302	63
Shaft Seal Sleeve Kit	
F8343906P	61
Shell	
F8512101	61
F8512102	61, 81
F8512201	61
F8512202	61, 81, 83
F8514001	61
F8514002	61, 81
F8543701	61
F8543702	61, 81, 83
Shell Band Kit	
F8357802	61
F8537801	61
F8537803	61
Shell Front	
F8222301	61
F8222401	61
F8222501	61
F8222601	61

Shock Warning Label	
F8614201	9
Side Panel	
F8524601	51
F8524602	51
F8524603	51
F8524604	51
F8524701	51
F8524702	51
F8524703	51
F8524704	51
F8524705	51
F8524801	51
F8524802	51
F8524803	51
F8524804	51
F8524805	51
F8524806	51
F8525605	51
F8525606	51
F8554201	51
F8554202	51
F8554203	51
F8554204	51
F8554205	51
F8554206	51
Siphon Cover	
F8047901	69, 71, 73, 75
Snap Bushing	
F140938	11, 13, 25, 27, 29, 31, 33, 35, 37
M402542	11, 13
M411826	11, 13
Spacer	
F431901	59
Spring Bracket	
F8581201	77, 79
Spring Pin	
F431222	53, 55, 57
Spring Stud Kit	
F8748601	77, 79
Steam Filter	
F270307	83
F270308	83
Steam Hose	
F200153P	83
F200197	83
Steam Kit	
F8662601	83
F8662602	83
Street Elbow	
H86070034	83
Stud	
F8634701	77, 79
70334702	65
Supply Vacuum Hose	
F8529401	69
F8529402	71
F8529403	73
F8529404	75

## T

Temperature Probe Grommet	
2251000400	61, 81

N/A items do not appear in index.

Terminal	
00622SG .....	15, 25, 27, 29, 31, 33, 35
Terminal Block	
430642 .....	25, 27, 29, 31, 33, 35
Terminal Block Shield	
70333001 .....	25, 27, 29, 31, 33, 35
Terminal Tray Cover	
F8518301 .....	49
Thermistor	
F8538801 .....	61, 81
Top Cover	
F8525401 .....	49
F8525501 .....	49
F8525601 .....	49
F8554301 .....	49
Top Cover Hinge	
F8258601 .....	49
Top Cover Latch	
F8201001 .....	41, 43, 45, 47
Torsion/Door Lock Spring	
F8070301 .....	59
Transformer	
F8491101 .....	15
202757 .....	15
202758 .....	15
Triple Lip Seal	
F8203801 .....	63
F8203802 .....	63
F8203803 .....	63
F8203806 .....	63
F8203813 .....	63
F8203814 .....	63
F8203815 .....	63
Tubing	
F8405302 .....	11, 13
F8405303 .....	11, 13

---

## U

USB IR Interface Kit	
203346 .....	85

---

## V

Vacuum Breaker Assembly	
F8517501 .....	69, 71, 73, 75
F8517502 .....	69, 71, 73, 75
F8517503 .....	69, 71, 73, 75
F8517504 .....	69, 71, 73, 75
Vacuum Breaker Guard	
F8589601 .....	69, 71, 73, 75
Valve	
F8322805 .....	83
F8565201 .....	69, 71, 73, 75
F8565202 .....	69, 71, 73, 75
Valve Panel	
F8513101 .....	49
F8513201 .....	49
F8513301 .....	49
F8554401 .....	49

---

## W

Warning Label	
44324001 .....	9
Washer	
F430339 .....	63
F431115 .....	77, 79
F431133 .....	53, 55, 57
F431147 .....	53, 55, 57
F431916 .....	53, 55, 57
F431929 .....	53, 55, 57
F8193101 .....	59
F8201101 .....	41, 43, 45, 47
F8402701 .....	61
M400080 .....	61
M400081 .....	61
M405535 .....	51
Water Hose Kit	
F8665601 .....	69, 71, 73, 75
F8665602 .....	69, 71, 73, 75
F8665603 .....	69, 71, 73, 75
F8665604 .....	69, 71, 73, 75
Water Level Pressure Switch	
F8609101 .....	11, 13, 81
Wire Clip	
F8449501 .....	11, 13, 15
70347601 .....	15
70366201 .....	11, 13
Wire Label	
44286804 .....	27, 31, 33
Wireless Harness	
F8520403 .....	15
F8520404 .....	15
F8674003 .....	15
F8674004 .....	15
Wireless Kit	
F8662401 .....	15
F8662402 .....	15
F8676001 .....	15
F8676101 .....	15
Wireless Network Control Assembly	
203532 .....	15
807211 .....	15

---

## Y

Y-Connector	
223/00243/00 .....	75

---