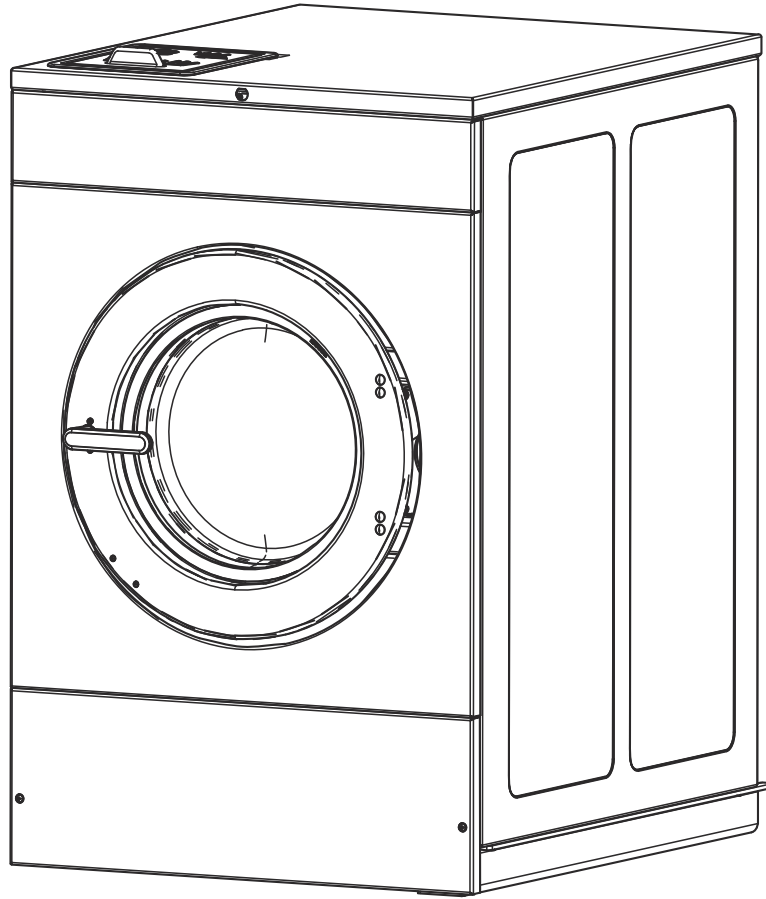


# Washer-Extractor

Cabinet Hardmount

Design 4 and 7

Refer to Page 5 for Model Numbers



C-CHM2C3\_F8706601



# Table of Contents

Title	Page
Parts Ordering Information.....	3
Serial Plate Location .....	3
Model Identification .....	5
Product Overview - N and W Control.....	6
Labels .....	8
Control Module and Front Tray Assembly .....	10
Control Tray Assembly.....	12
Flush Mount Coin Meter Assembly - Single Drop .....	14
Flush Mount Coin Meter Assembly - Dual Drop.....	16
Electronic Coin Meter Assembly .....	18
Optional Coin Box.....	20
Inverter Drive Box - 20 and 30 Pound Models with B Voltage .....	22
Inverter Drive Box - 20 and 30 Pound Models with N, P, Q, W, X and Y Voltage.....	24
Inverter Drive Box - 40 Pound Models with B Voltage .....	26
Inverter Drive Box - 40 Pound Models with N, P, Q, W, X and Y Voltage.....	28
Inverter Drive Box - 60 Pound Models with Q and X Voltage .....	30
Inverter Drive Box - 60 Pound Models with N and P Voltage.....	32
External Supply Kit.....	34
Inverter Drive .....	36
Front Panels and Control Panel - Design 4 .....	38
Front Panels and Control Panel - Design 7 (Drawing 1 of 3).....	40
Front Panels and Control Panel - Design 7 (Drawing 2 of 3).....	42
Front Panels and Control Panel - Design 7 (Drawing 3 of 3).....	44
Rear and Top Panels .....	46
Side Panels (Drawing 1 of 2) .....	48
Side Panels (Drawing 2 of 2) .....	50
Door - 20 Pound Models .....	52
Door - 30 Pound Models .....	54
Door - 40 and 60 Pound Models .....	56
Door Lock.....	58
Shell Front, Basket, Shell and Frame Template .....	60
Bearing Housing .....	62
Drain Plumbing .....	64
Pump Drain Plumbing - 20, 30 and 40 Pound Models.....	66
Fill Plumbing - 20 Pound Models .....	68
Fill Plumbing - 30 Pound Models .....	70
Fill Plumbing - 40 Pound Models .....	72
Fill Plumbing - 60 Pound Models .....	74
Motor, Pulley and Belt - 20 and 30 Pound Models.....	76
Motor, Pulley and Belt - 40 and 60 Pound Models.....	78
Electric Heating.....	80

© Copyright 2023, Alliance Laundry Systems LLC

All rights reserved. No part of the contents of this book may be reproduced or transmitted in any form or by any means without the expressed written consent of the publisher.

Steam Heating - 40 and 60 Pound Models .....	82
Special Tools and Kits .....	84
Parts Index.....	87

## Parts Ordering Information

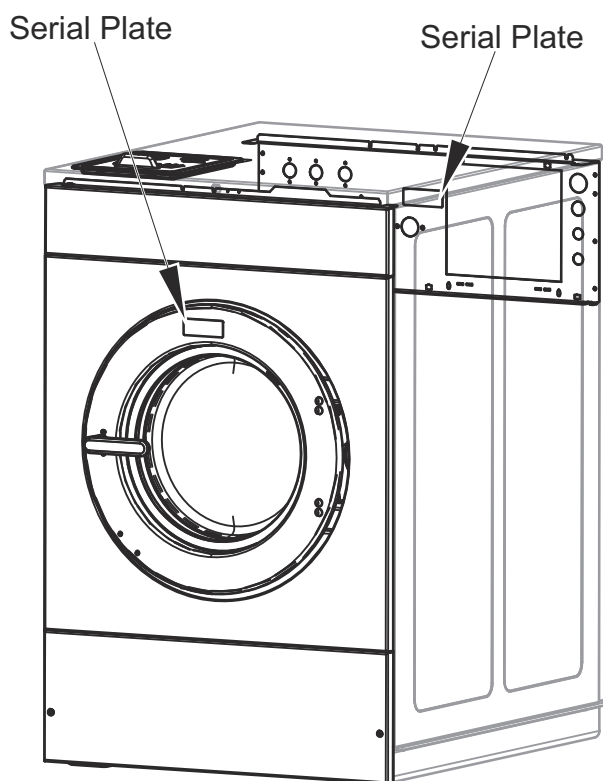
If literature or replacement parts are required, contact the source from whom the machine was purchased or contact Alliance Laundry Systems at (920) 748-3950 for the name and address of the nearest authorized parts distributor.

For technical assistance, call the number listed below:

(920) 748-3121 Ripon, Wisconsin

## Serial Plate Location

When calling or writing about your product, be sure to mention model and serial numbers. Model and serial numbers are located on serial plate(s) as shown.



C-CHM2C2\_F8706601

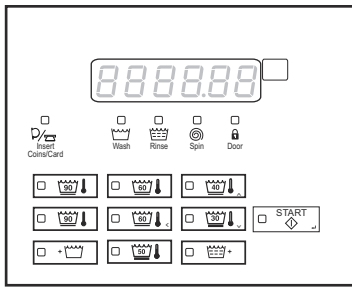
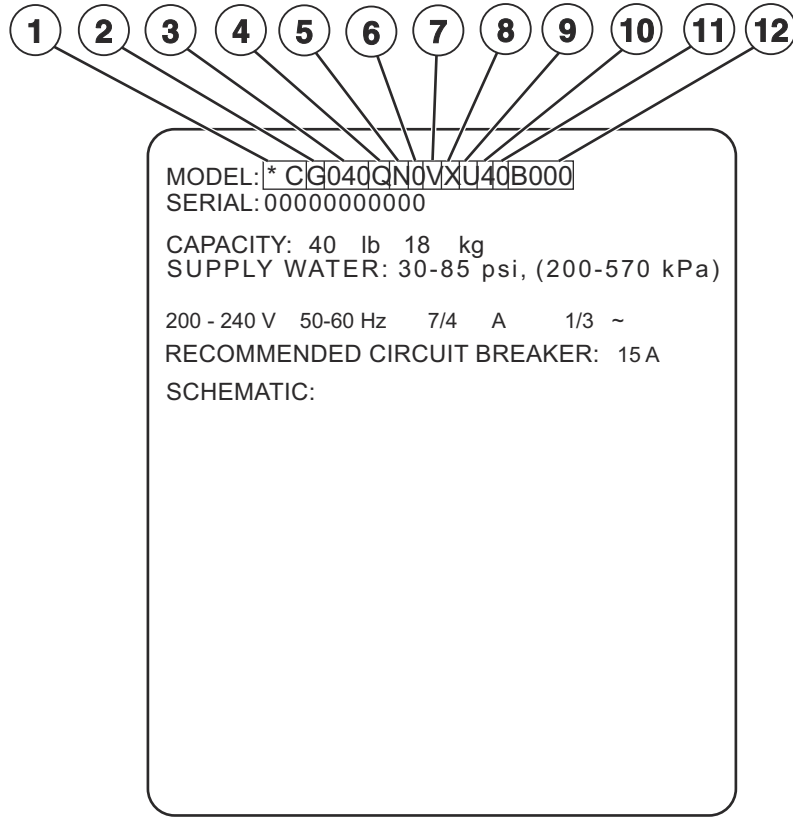


## Model Identification

Information in this manual is applicable to these washer-extractor models:

BCA020NC	BCG030NV	BCG060WV	BCL060WX	PCA040WX	PCG040NQ	PCK040WC	PCT030WX
BCA020NH	BCG030NX	BCG060WX	BCT020NC	PCA060NC	PCG040NT	PCK040WH	PCT030WY
BCA020NX	BCG030WC	BCG060WY	BCT020NH	PCA060NH	PCG040NV	PCK040WX	PCT040NC
BCA020WC	BCG030WD	BCK020NC	BCT020NX	PCA060NX	PCG040NX	PCK060NC	PCT040NH
BCA020WH	BCG030WE	BCK020NH	BCT020WC	PCA060WC	PCG040WC	PCK060NH	PCT040NL
BCA020WX	BCG030WF	BCK020NX	BCT020WH	PCA060WH	PCG040WD	PCK060NX	PCT040NX
BCA030NC	BCG030WH	BCK020WC	BCT020WL	PCA060WX	PCG040WE	PCK060WC	PCT040NY
BCA030NH	BCG030WL	BCK020WH	BCT020WX	PCG020NC	PCG040WF	PCK060WH	PCT040WC
BCA030NX	BCG030WQ	BCK020WX	BCT020WY	PCG020ND	PCG040WH	PCK060WX	PCT040WH
BCA030WC	BCG030WT	BCK030NC	BCT030NC	PCG020NE	PCG040WL	PCL020NC	PCT040WL
BCA030WH	BCG030WV	BCK030NH	BCT030NH	PCG020NF	PCG040WQ	PCL020NH	PCT040WX
BCA030WX	BCG030WX	BCK030NX	BCT030NX	PCG020NH	PCG040WT	PCL020NX	PCT040WY
BCA040NC	BCG030WY	BCK030WC	BCT030WC	PCG020NQ	PCG040WV	PCL020WC	PCT060NC
BCA040NH	BCG040NC	BCK030WH	BCT030WH	PCG020NT	PCG040WX	PCL020WH	PCT060NH
BCA040NX	BCG040ND	BCK030WX	BCT030WL	PCG020NV	PCG040WY	PCL020WX	PCT060NL
BCA040WC	BCG040NE	BCK040NC	BCT030WX	PCG020NX	PCG060NC	PCL030NC	PCT060NX
BCA040WH	BCG040NF	BCK040NH	BCT030WY	PCG020WC	PCG060ND	PCL030NH	PCT060NY
BCA040WX	BCG040NH	BCK040NX	BCT040NC	PCG020WD	PCG060NE	PCL030NX	PCT060WC
BCA060NC	BCG040NQ	BCK040WC	BCT040NH	PCG020WE	PCG060NF	PCL030WC	PCT060WH
BCA060NH	BCG040NT	BCK040WH	BCT040NX	PCG020WF	PCG060NH	PCL030WH	PCT060WL
BCA060NX	BCG040NV	BCK040WX	BCT040WC	PCG020WH	PCG060NQ	PCL030WX	PCT060WX
BCA060WC	BCG040NX	BCK060NC	BCT040WH	PCG020WL	PCG060NT	PCL040NC	PCT060WY
BCA060WH	BCG040WC	BCK060NH	BCT040WL	PCG020WQ	PCG060NV	PCL040NH	
BCA060WX	BCG040WD	BCK060NX	BCT040WX	PCG020WT	PCG060NX	PCL040NX	
BCD020WF	BCG040WE	BCK060WC	BCT040WY	PCG020WV	PCG060WC	PCL040WC	
BCG020NC	BCG040WF	BCK060WH	BCT060NC	PCG020WX	PCG060WD	PCL040WH	
BCG020ND	BCG040WH	BCK060WX	BCT060NH	PCG020WY	PCG060WE	PCL040WX	
BCG020NE	BCG040WL	BCL020NC	BCT060NX	PCG030NC	PCG060WF	PCL060NC	
BCG020NF	BCG040WQ	BCL020NH	BCT060WC	PCG030ND	PCG060WH	PCL060NH	
BCG020NH	BCG040WT	BCL020NX	BCT060WH	PCG030NE	PCG060WL	PCL060NX	
BCG020NQ	BCG040WV	BCL020WC	BCT060WL	PCG030NF	PCG060WQ	PCL060WC	
BCG020NT	BCG040WX	BCL020WH	BCT060WX	PCG030NH	PCG060WT	PCL060WH	
BCG020NV	BCG040WY	BCL020WX	BCT060WY	PCG030NQ	PCG060WV	PCL060WX	
BCG020NX	BCG060NC	BCL030NC	PCA020NC	PCG030NT	PCG060WX	PCT020NC	
BCG020WC	BCG060ND	BCL030NH	PCA020NH	PCG030NV	PCG060WY	PCT020NH	
BCG020WD	BCG060NE	BCL030NX	PCA020NX	PCG030NX	PCK020NC	PCT020NL	
BCG020WE	BCG060NF	BCL030WC	PCA020WC	PCG030WC	PCK020NH	PCT020NX	
BCG020WH	BCG060NH	BCL030WH	PCA020WH	PCG030WD	PCK020NX	PCT020NY	
BCG020WL	BCG060NQ	BCL030WX	PCA020WX	PCG030WE	PCK020WC	PCT020WC	
BCG020WQ	BCG060NT	BCL040NC	PCA030NC	PCG030WF	PCK020WH	PCT020WH	
BCG020WT	BCG060NV	BCL040NH	PCA030NH	PCG030WH	PCK020WX	PCT020WL	
BCG020WX	BCG060NX	BCL040NX	PCA030NX	PCG030WQ	PCK030NC	PCT020WX	
BCG020WY	BCG060WC	BCL040WC	PCA030WC	PCG030WT	PCK030NH	PCT030NC	
BCG030NC	BCG060WD	BCL040WH	PCA030WH	PCG030WV	PCK030NX	PCT030NH	
BCG030ND	BCG060WE	BCL040WX	PCA030WX	PCG030WX	PCK030WC	PCT030NL	
BCG030NE	BCG060WF	BCL060NC	PCA040NC	PCG040NC	PCK030WH	PCT030NX	
BCG030NF	BCG060WH	BCL060NH	PCA040NH	PCG040ND	PCK030WX	PCT030NY	
BCG030NH	BCG060WL	BCL060NX	PCA040NX	PCG040NE	PCK040NC	PCT030WC	
BCG030NQ	BCG060WQ	BCL060WC	PCA040WC	PCG040NF	PCK040NH	PCT030WH	
BCG030NT	BCG060WT	BCL060WH	PCA040WH	PCG040NH	PCK040NX	PCT030WL	

# Product Overview - N and W Control



**Easy Control**

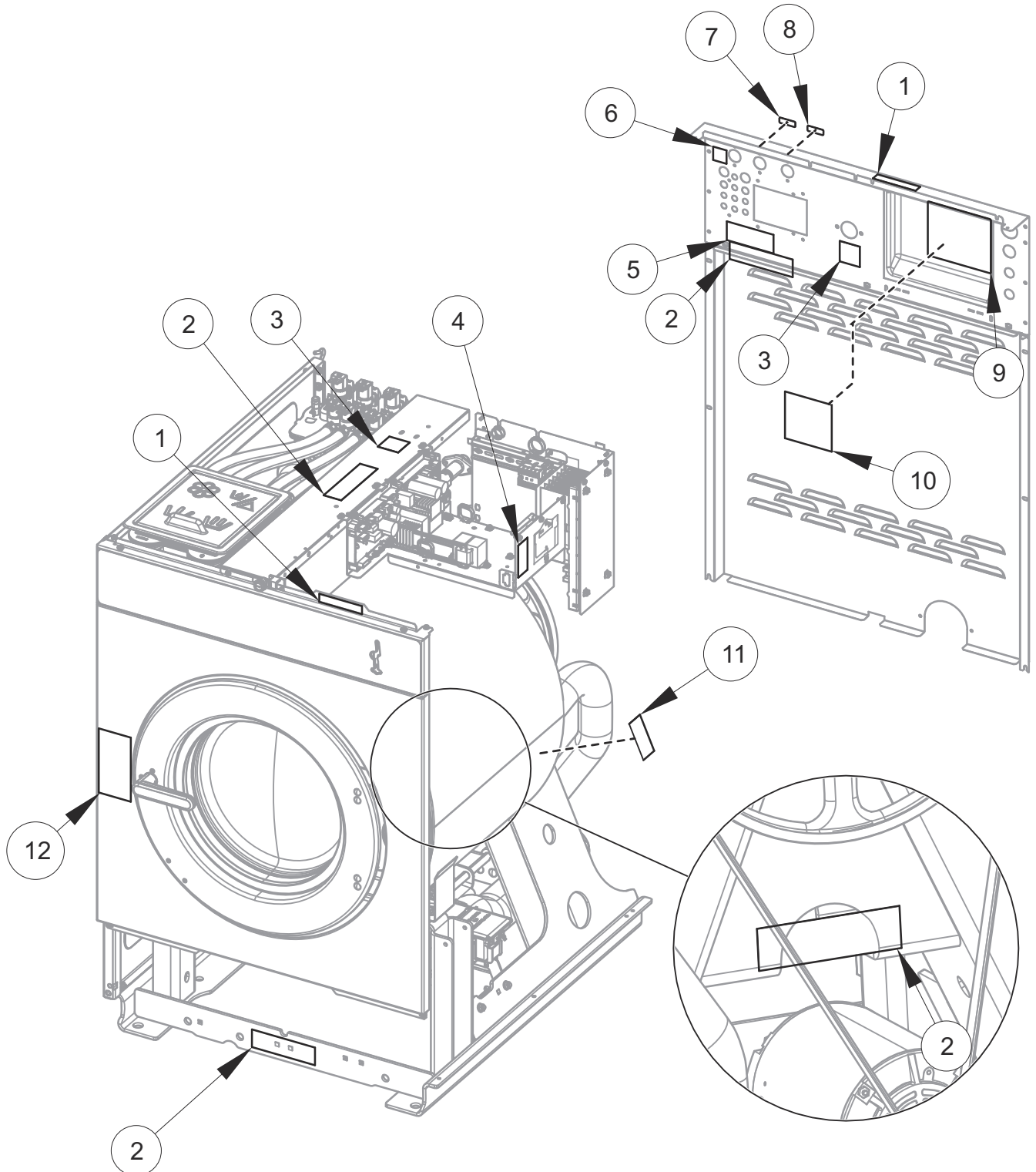
CHM3511P\_F8706601



## Product Overview - N and W Control

REF	PART NO.	DESCRIPTION	COMMENTS
1	-	Product Family	BC PC
2	-	Market Approvals	G (International) T (North America) A (Australia IEC) K (Korea IEC) L (Thailand- TISI IEC)
3	-	Capacity (Dry Weight in Pounds)	020 030 040 060
4	-	Control	N W
5	-	Actuation	X (Prep for Coin) C (Single Coin) D (Dual Coin) E (Electronic Drop) T (Token) F (Single Coin + CD Lock and Key) Q (Dual Coin + CD Lock and Key) H (Electronic Drop + CD Lock and Key) V (Token + CD Lock and Key)
6	-	Coin Meter	0 (Standard) 1 (CD Lock and Key)
7	-	Speed	F (F-Speed) V (V-Speed)
8	-	Voltage	B (120/60/1) W (200-240/50/1/3) Y (200-240/60/1/3) X (200-240/50-60/1/3) Q (200-240/50-60/3) P (380-415/50-60/3) N (440-480/50-60/3)
9	-	Panel	B (Chrome Door) C (Chrome Door) U (Vinyl) 1 (Stainless Steel Side)
10	-	Design	4 7
11	-	Heat	0 (Standard) D (Steam) E (Electric Heat) P (Prep for Steam)
12	-	Features and Options	

# Labels

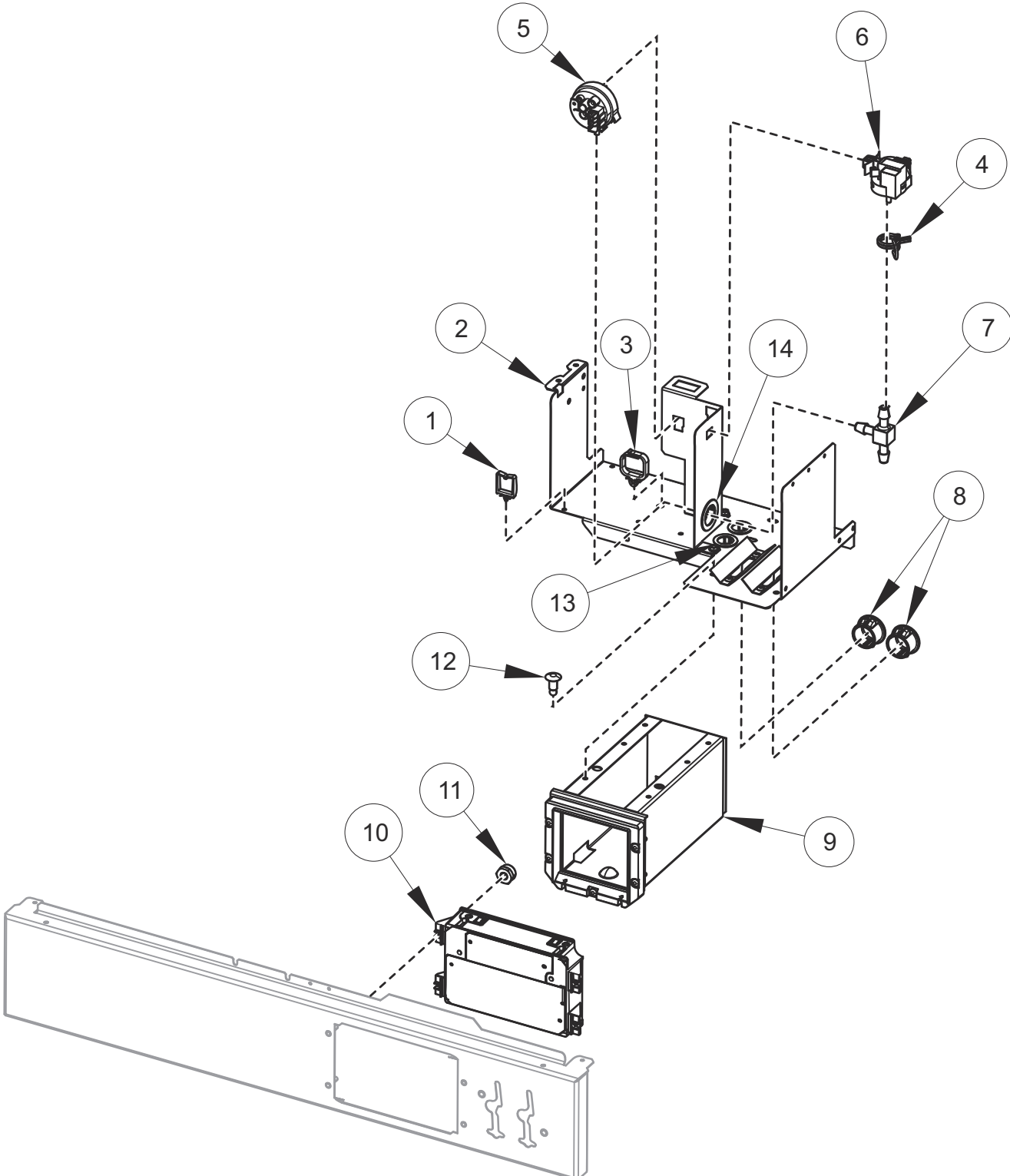


C-CHM2P27\_F8706601

# Labels

REF	PART NO.	DESCRIPTION	COMMENTS
1	F8614501	Danger Label	English/Quebec/French
2	44324001	Warning Label	Pinch/Shock; English/French
	F8614201	Shock Warning Label	Icon
	F8615701	Pinch Warning Label	Icon
3	F8614301	Hot Surface Warning Label	English/Quebec/French
	F8609001	Hot Surface Warning Label	Icon
4	F8601301	Label	Warning; Underground components
5	F8609401	Label	Notice; Chemical connection
6	203853	Label	ROHS (China)
7	F8611301	Label	Hot water; Icon
8	F8611401	Label	Cold water; Icon
9	F8611601	Warning Label	Warning; English/Quebec/French
10	F8602401	Label	Notice; Large expansion board
11	70538401	Pinch Warning Label	English/French
	F8615701	Pinch Warning Label	Icon
12	F8614801	Label	Warning fire/injury; English/Quebec/French

# Control Module and Front Tray Assembly

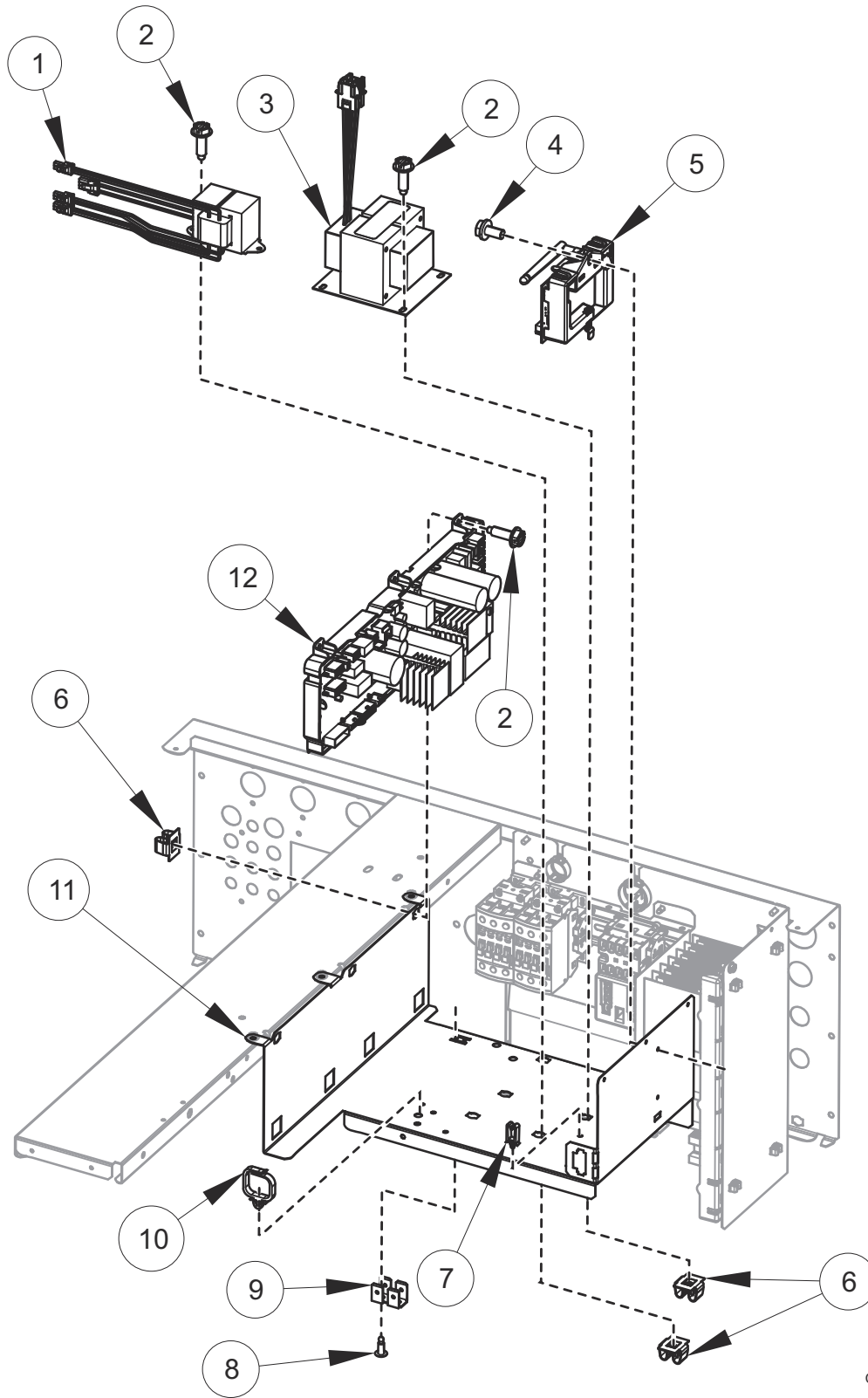


C-CHM5P1\_F8706601

# Control Module and Front Tray Assembly

REF	PART NO.	DESCRIPTION	COMMENTS
	44374701	App Pay Overlay Kit	
	203361P	Machine ID Control Assembly	
	F8567301	Front Tray Assembly	20 pound models; Includes items 1-3, 6, 8, 9, 12-14, 70413301 Pushbutton Switch and F8519701 Coin Vault Harness
	F8567304	Front Tray Assembly	20 pound models; Steam or electric heat; Includes items 1-9, 12-14, 70413301 Pushbutton Switch and F8519701 Coin Vault Harness
	F8567302	Front Tray Assembly	30 pound models; Includes items 1-3, 6, 8, 9, 12-14, 70413301 Pushbutton Switch and F8519701 Coin Vault Harness
	F8567305	Front Tray Assembly	30 pound models; Steam or electric heat; Includes items 1-9, 12-14, 70413301 Pushbutton Switch and F8519701 Coin Vault Harness
	F8567303	Front Tray Assembly	40 and 60 pound models; Includes items 1-3, 6, 8, 9, 12-14, 70413301 Pushbutton Switch and F8519701 Coin Vault Harness
	F8567306	Front Tray Assembly	40 and 60 pound models; Steam or electric heat; Includes items 1-9, 12-14, 70413301 Pushbutton Switch and F8519701 Coin Vault Harness
	F8519701	Coin Vault Harness	
	F8519301	Harness	Tray power harness
	F8519501	Harness	Communication; 20 and 30 pound models
	F8519502	Harness	Communication; 40 and 60 pound models
	F8519601	Harness	Coin access
	F8519403	Emergency Stop Bypass Harness	
<b>1</b>	70366201	Wire Clip	
<b>2</b>	F8531001	Front Tray Assembly	
<b>3</b>	F8449501	Wire Clip	
<b>4</b>	39282	Hose Clamp	
<b>5</b>	F8609101	Water Level Pressure Switch	Steam or electric heat
	F8405303	Tubing	Electric heat
<b>6</b>	F8623401	Pressure Sensor	
	F8405302	Tubing	Electric heat
<b>7</b>	203464	Barbed Tee	Steam or electric heat
<b>8</b>	M411826	Snap Bushing	
<b>9</b>	F8529101	Coin Vault Assembly	
<b>10</b>	F8493901P	Control Assembly	
<b>11</b>	685846	Nut	
<b>12</b>	70058501	Pop Rivet	
<b>13</b>	F140938	Snap Bushing	
<b>14</b>	M402542	Snap Bushing	

# Control Tray Assembly

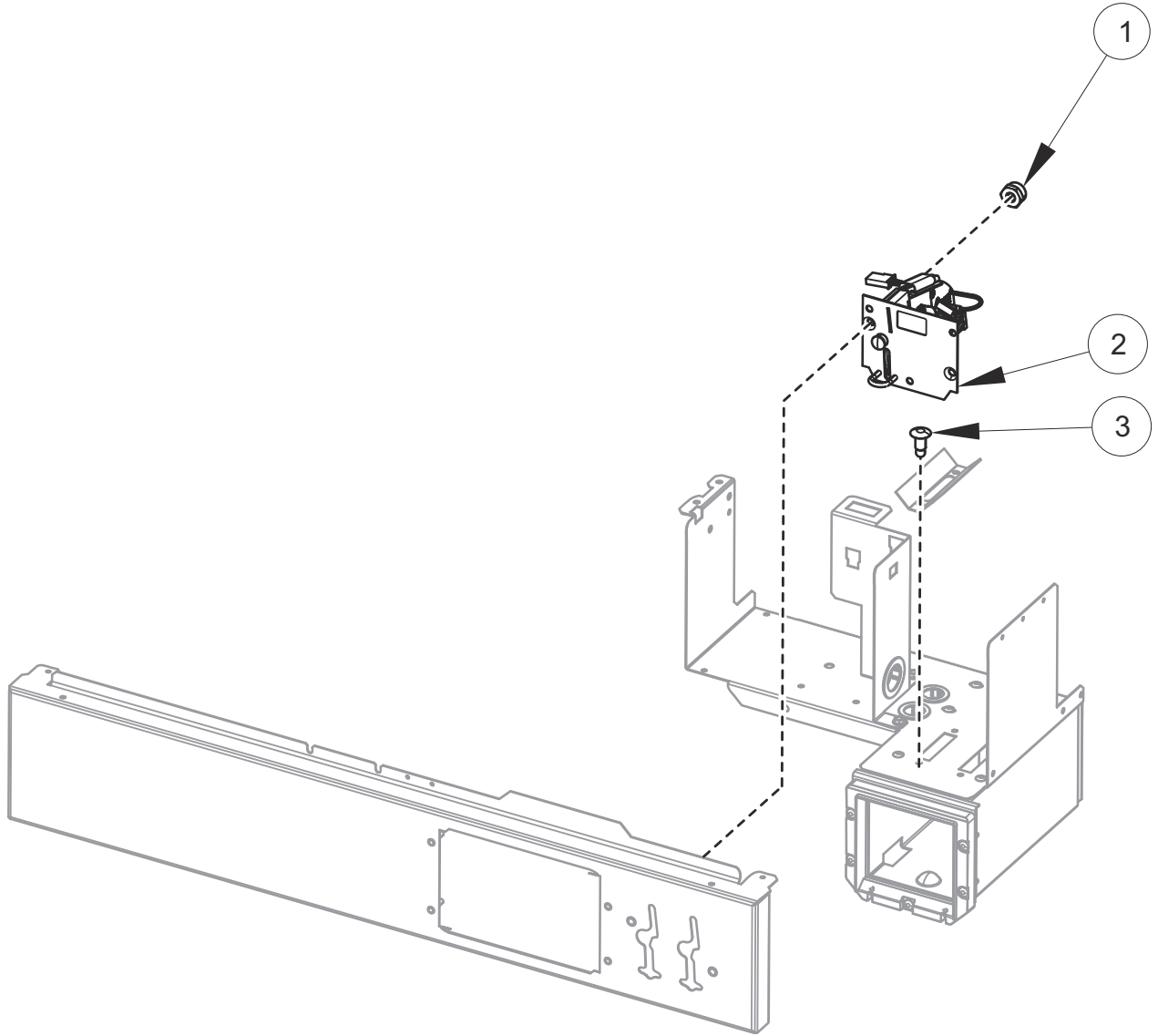


C-CHM5P2\_F8706601

## Control Tray Assembly

REF	PART NO.	DESCRIPTION	COMMENTS
	205391P	Gateway	
	204145P	Gateway	
	F8674003	Wireless Harness	20 and 30 pound models
	F8674004	Wireless Harness	40 and 60 pound models
	F8676001	Wireless Kit	20 and 30 pound models; Includes items 4, 5, F8674003 Wireless Harness and labels
	F8676101	Wireless Kit	40 and 60 pound models; Includes items 4, 5, F8674004 Wireless Harness and labels
<b>1</b>	202757	Transformer	B voltage with external supply
	202758	Transformer	N, P, Q, W, X and Y voltage with external supply
<b>2</b>	F8206901	Screw	
<b>3</b>	F8491101	Transformer	N and P voltage
<b>4</b>	430497	Screw	
<b>5</b>	807211	Wireless Network Control Assembly	
<b>6</b>	70030501	Expansion Clip	
<b>7</b>	70347601	Wire Clip	External supply
<b>8</b>	M400003	Pop Rivet	
<b>9</b>	00622SG	Terminal	
<b>10</b>	F8449501	Wire Clip	
<b>11</b>	F8530701	Control Tray	
<b>12</b>	F8494101P	Input and Output Control Assembly	

# Flush Mount Coin Meter Assembly - Single Drop



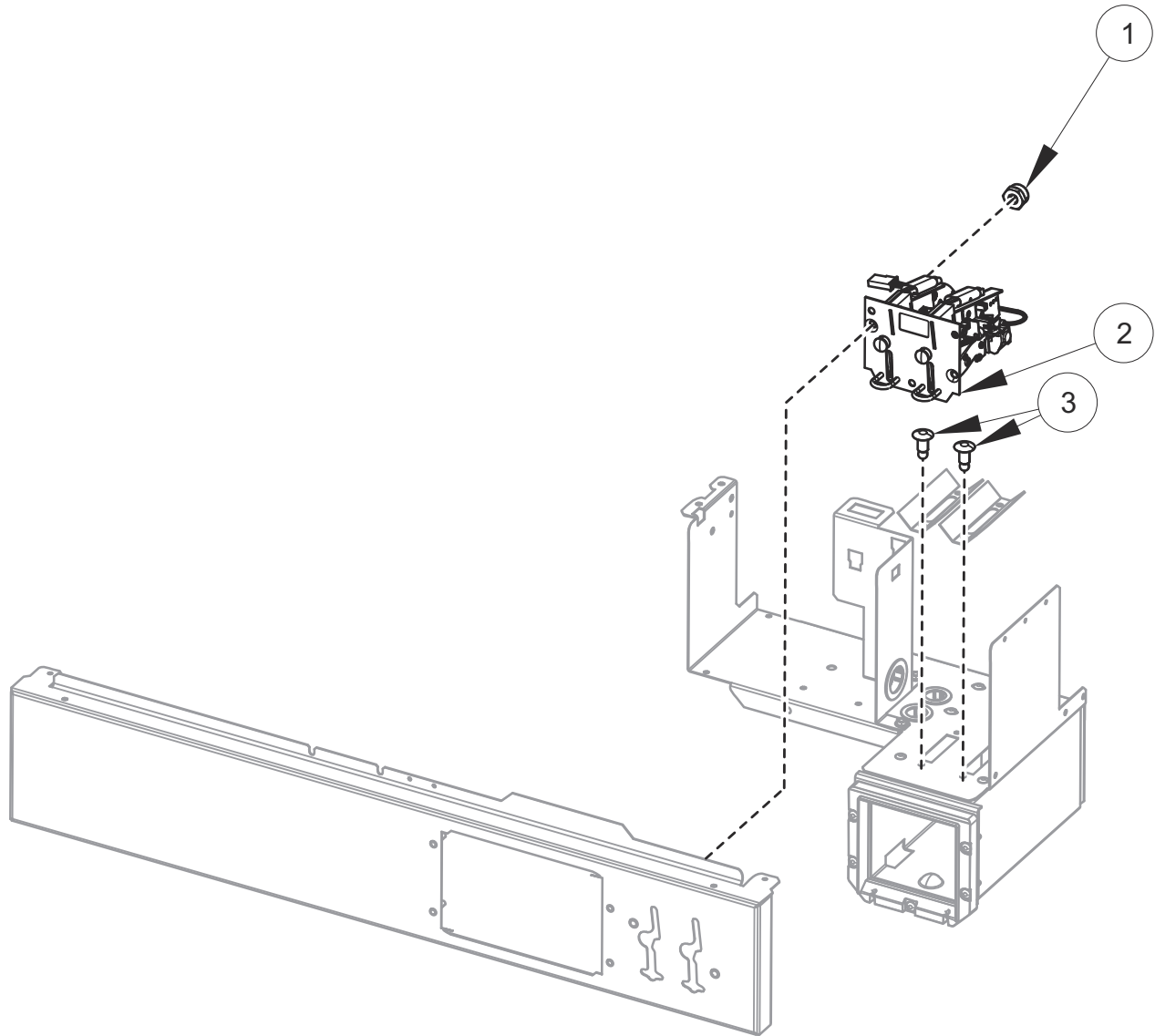
C-CHM6P7\_F8706601



## Flush Mount Coin Meter Assembly - Single Drop

REF	PART NO.	DESCRIPTION	COMMENTS
	44374701	App Pay Overlay Kit	
	38725	Coin Identification Paper	
	200674P	Opto Coupler	
<b>1</b>	685846	Nut	
<b>2</b>	70441601P	Coin Drop	U.S.A.; \$.25
	38475	Coin Drop Assembly	Japan; 100 yen
	38464P	Coin Drop Assembly	Canada; .25
	CK077	Coin Drop Kit	Taiwan; 10 NT
	70506901	Coin Drop Assembly	Singapore; \$1.00 NEW
	38462P	Coin Drop Assembly	Token; STD 118-1
	38463	Coin Drop Assembly	Token; STD 118-5
	38963P	Coin Drop	Token STD 118-16
	39748	Coin Drop	Jeton 08MS
	201141	Coin Drop Assembly	Token; Jeton wh121
	70471601	Coin Drop Assembly	Token; 7K
<b>3</b>	70058501	Pop Rivet	

# Flush Mount Coin Meter Assembly - Dual Drop

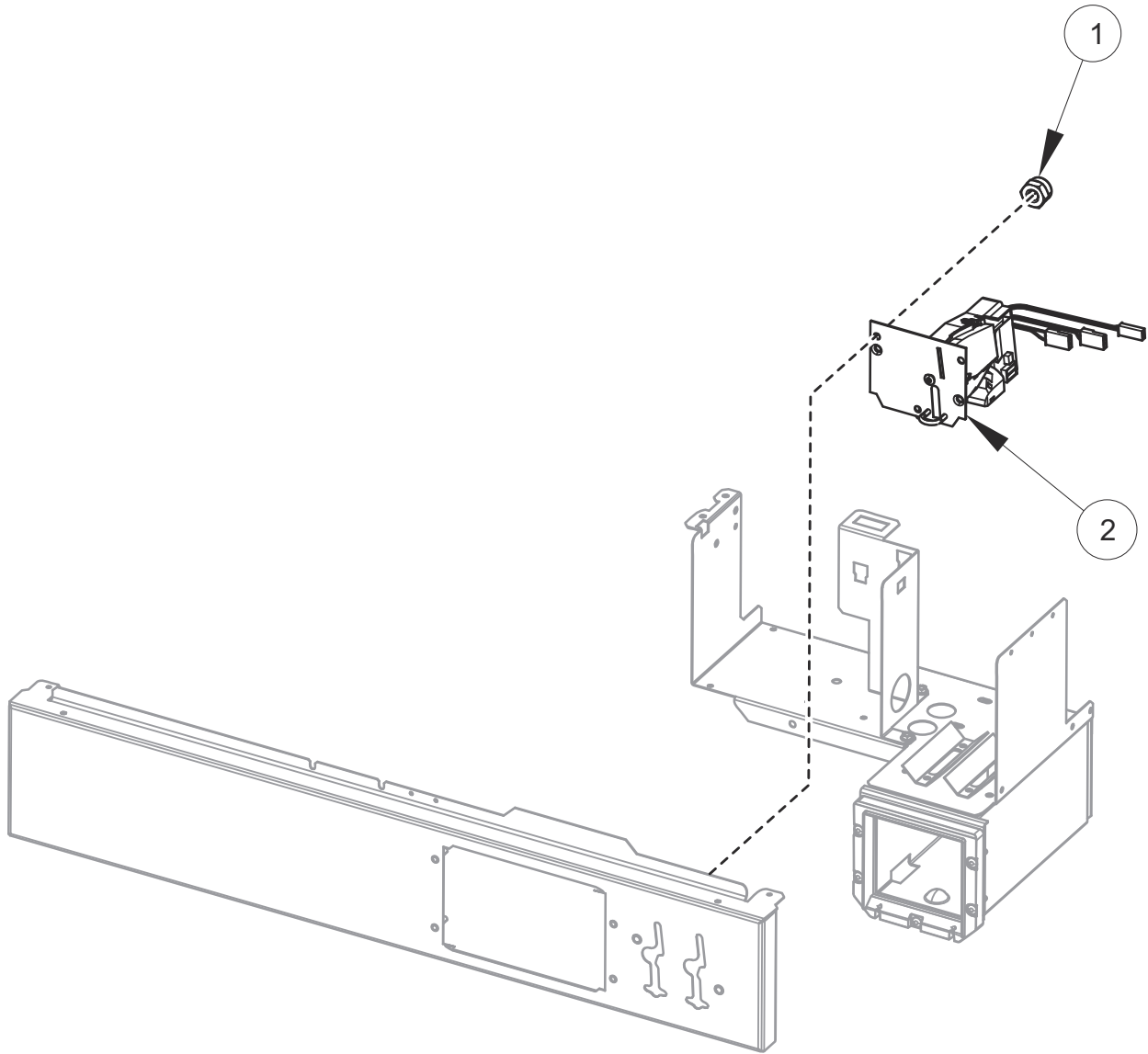


C-CHM6P8\_F8706601

## Flush Mount Coin Meter Assembly - Dual Drop

REF	PART NO.	DESCRIPTION	COMMENTS
	44374701	App Pay Overlay Kit	
	38725	Coin Identification Paper	
	200674P	Opto Coupler	
<b>1</b>	685846	Nut	
<b>2</b>	70441603	Coin Drop	U.S.A.; \$.25 and \$1.00
	38519	Coin Drop Assembly	Japan; 100 yen and 500 yen
	70441602	Coin Drop Assembly	Canada; .25 and \$1.00
	38467	Coin Drop Assembly	Australia; \$0.20 and \$1.00
	70447301	Coin Drop Assembly	Australia; \$1.00 and \$2.00
	70283102	Coin Drop Assembly	0.20 and 0.50 Euro
	210195	Coin Drop Assembly	0.20 and 1.00 Euro
	210196	Coin Drop Assembly	0.50 and 1.00 Euro
	F0160737-00	Coin Meter	0.50 and 2.00 Euro
	70281102	Coin Drop Assembly	Taiwan; 10 and 50 NT
	70482401	Coin Drop Assembly	New Zealand; \$1.00 and \$2.00
	CK503	Coin Drop Kit	U.S.A. and Canada; \$.25 and \$1.00
<b>3</b>	70058501	Pop Rivet	

# Electronic Coin Meter Assembly

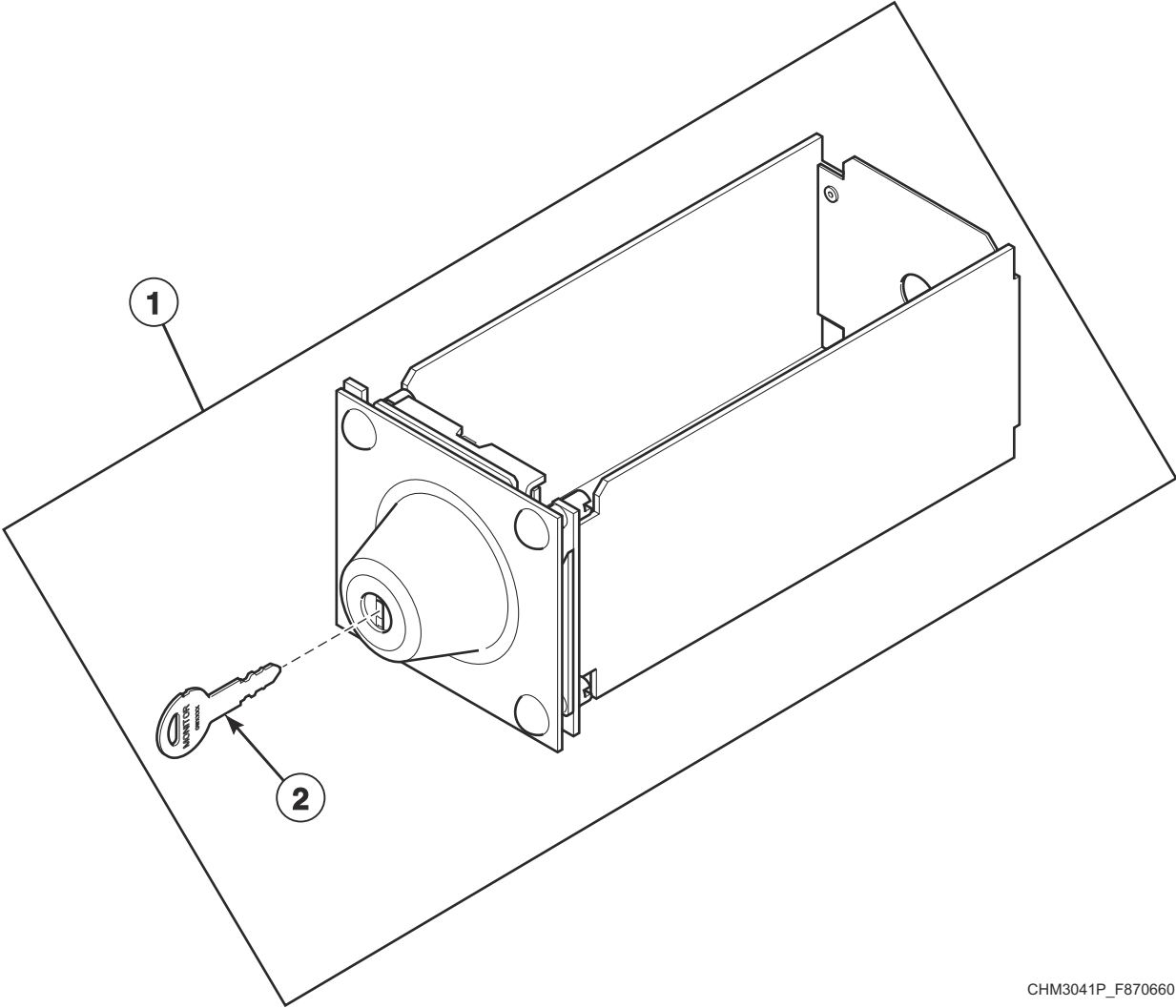


C-CHM6P6\_F8706601

# Electronic Coin Meter Assembly

REF	PART NO.	DESCRIPTION	COMMENTS
	44374701	App Pay Overlay Kit	
	38725	Coin Identification Paper	
	CK500	Electronic Coin Drop Kit	For use when installing Electronic Coin Drop Kits
	F8034701P	Pulse Expander Assembly	
<b>1</b>	F430215	Nut	
<b>2</b>	70513302	Electronic Coin Drop Assembly	Euro and Great Britain coins
	70513310	Electronic Coin Drop Assembly	Japan and Thailand coins
	70513304	Electronic Coin Drop Assembly	Australia, New Zealand, Hong Kong and South Korea coins
	70513303	Electronic Coin Drop Assembly	Denmark, Norway and Euro coins
	70513306	Electronic Coin Drop Assembly	Mexico, Ecuador and U.S.A. coins
	70294107	Electronic Coin Drop Assembly	Lithuania, Latvia and Euro coins
	70513311	Electronic Coin Drop Assembly	Chiand Malaysia coins
	70513308	Electronic Coin Drop Assembly	South African 1 and 5 rand coins
	70513309	Electronic Coin Drop Assembly	Euro coins
	70513312	Electronic Coin Drop Assembly	Russia coins
	70513313	Electronic Coin Drop Assembly	Philippines coins
	70513314	Electronic Coin Drop Assembly	Thailand coins
	70513315	Electronic Coin Drop Assembly	Chile coins
	70513316	Electronic Coin Drop Assembly	Singapore coins
	CK115	Electronic Coin Drop Kit	United States and Canada; Includes 38725 Coin Identification Paper
	CK099	Electronic Coin Drop Kit	Australia (default), New Zealand, Hong Kong, South Korea and Malaysia; Includes 38725 Coin Identification Paper
	CK100	Electronic Coin Drop Kit	United Kingdom (default) and Europe; Includes 38725 Coin Identification Paper
	CK101	Electronic Coin Drop Kit	Europe (default), Denmark and Norway; Includes 38725 Coin Identification Paper
	CK108	Electronic Coin Drop Kit	South Africa; Includes 38725 Coin Identification Paper
	CK109	Electronic Coin Drop Kit	Euro; Includes 38725 Coin Identification Paper
	CK110	Electronic Coin Drop Kit	Mexico (default), Ecuador and United States; Includes 38725 Coin Identification Paper
	CK113	Electronic Coin Drop Kit	Japan and Taiwan; Includes 38725 Coin Identification Paper
	CK116	Electronic Coin Drop Kit	Malaysia (default) and China; Includes 38725 Coin Identification Paper
	CK117	Electronic Coin Drop Kit	Russia; Includes 38725 Coin Identification Paper
	CK118	Electronic Coin Drop Kit	Philippine; Includes 38725 Coin Identification Paper
	CK119	Electronic Coin Drop Kit	Thailand; Includes 38725 Coin Identification Paper
	CK120	Electronic Coin Drop Kit	Chile; Includes 38725 Coin Identification Paper
	CK121	Electronic Coin Drop Kit	Singapore; Includes 38725 Coin Identification Paper
	CK122	Coin Drop Kit	New Zealand; 1.00 and 2.00; Includes 38725 Coin Identification Paper

# Optional Coin Box

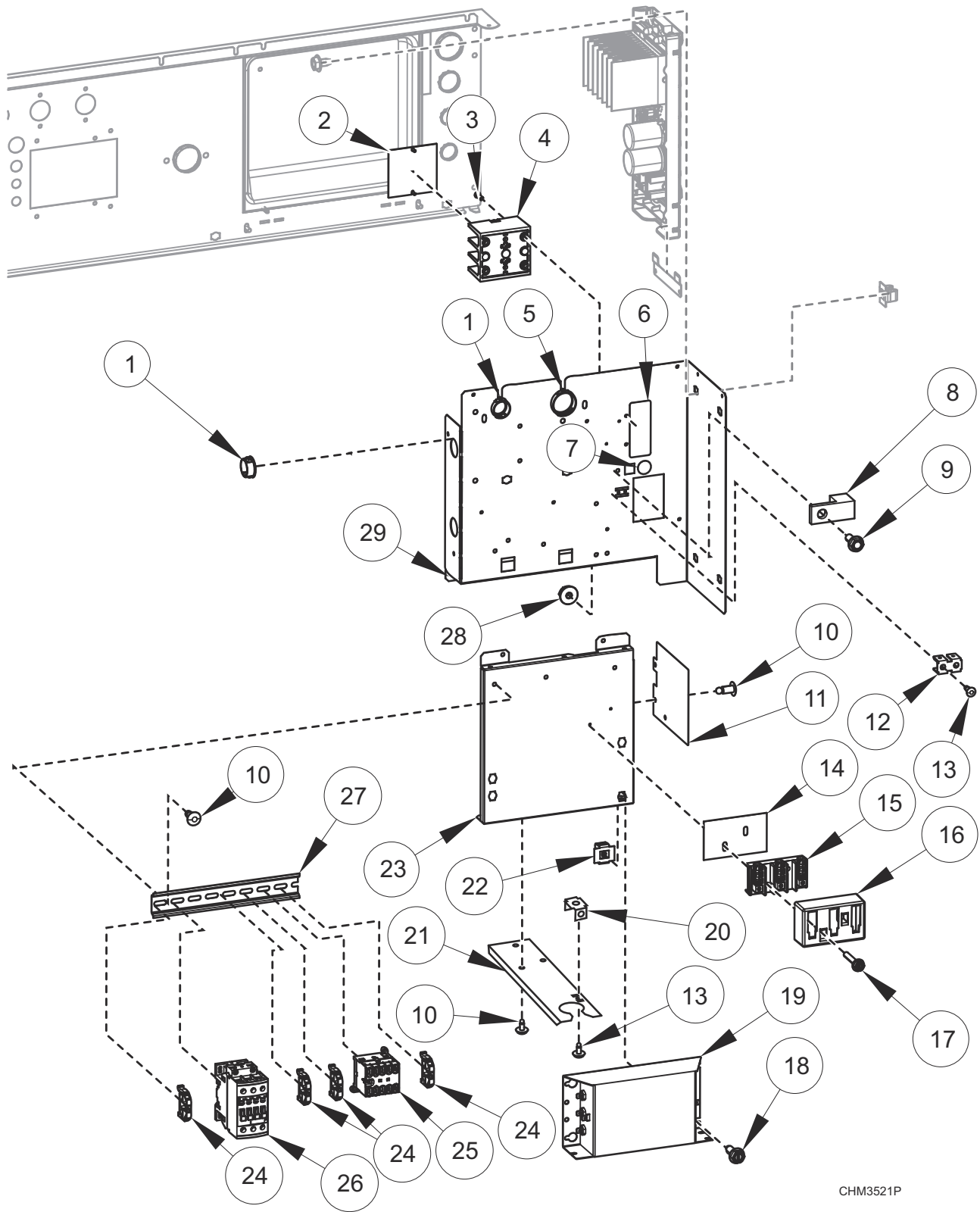


CHM3041P\_F8706601

## Optional Coin Box

REF	PART NO.	DESCRIPTION	COMMENTS
1	F8182001	Coin Drawer Assembly	Models with 0, A or C in 17th position
	F8748501	Coin Drawer Assembly	Models with D in 17th position
2	F160420	Key	GW0023

# Inverter Drive Box - 20 and 30 Pound Models with B Voltage

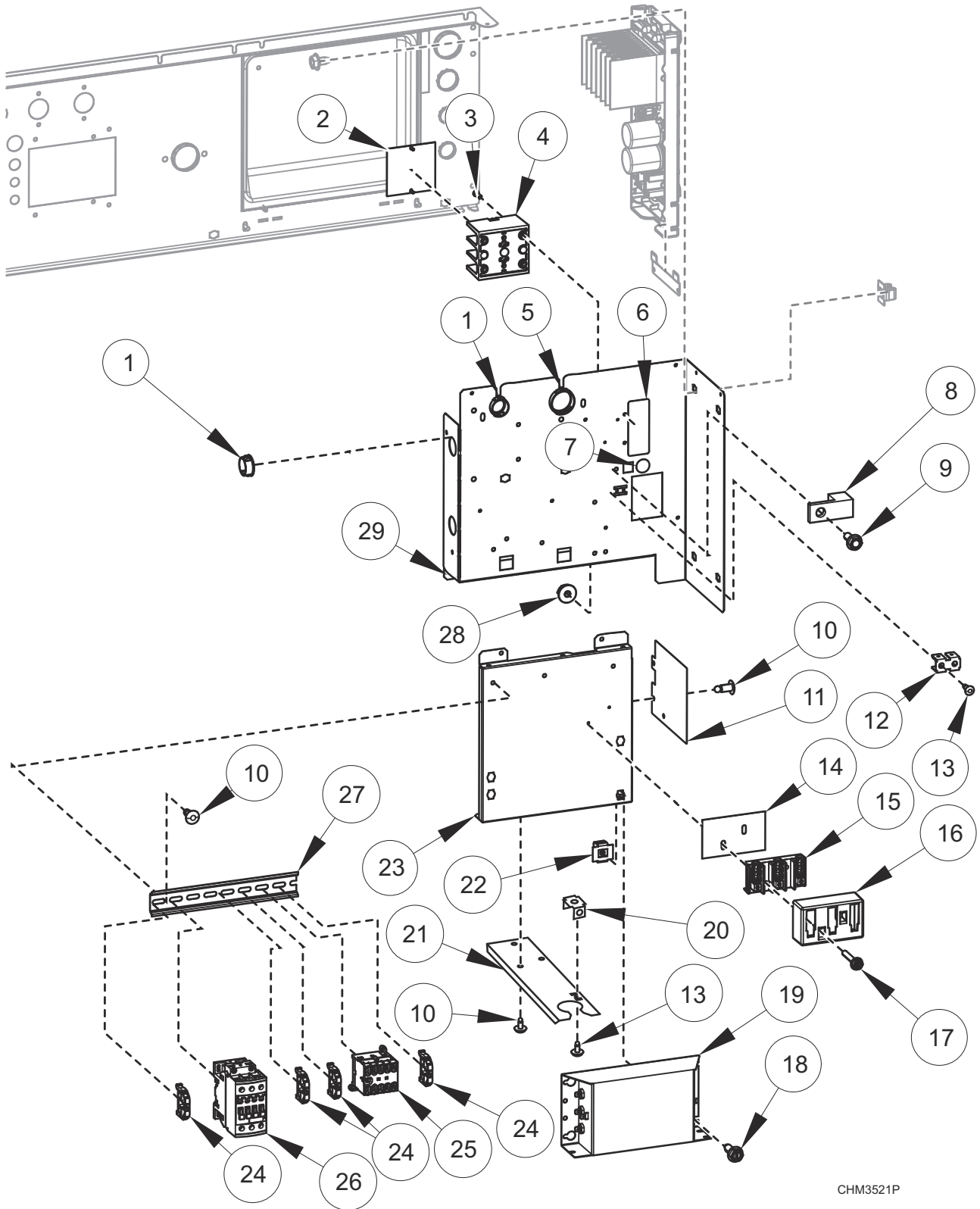




## Inverter Drive Box - 20 and 30 Pound Models with B Voltage

REF	PART NO.	DESCRIPTION	COMMENTS
	F8567001	Drive Panel Base Assembly	Includes items 10-13, 21, 25 and 27
	F8662801	Filter Kit	Includes items 1, 14-20, harnesses and labels
	F8518405	Harness	Power TB1
	F8518604	Harness	Power drive
	F8528001	Harness	TB filter
	F8528002	Harness	PDB filter; Electric heat
	F8528004	Harness	TB Filter
	F8528006	Harness	TB2 Filter
	F8619101	Power Harness	Power contactor; Electric heat
	F8619102	Harness	Power contactor; Electric heat
<b>1</b>	F140938	Snap Bushing	
<b>2</b>	44014901P	Power Distribution Block Cover	Electric heat
<b>3</b>	39733	Screw	Electric heat
<b>4</b>	M413865	Power Distribution Block	Electric heat
<b>5</b>	70346501	Bushing	
<b>6</b>	44286801	Label	Power input; L1, N
<b>7</b>	D516100	Label	
<b>8</b>	M411283	Ground Lug Connector	
<b>9</b>	685837	Screw	
<b>10</b>	70058501	Pop Rivet	
<b>11</b>	F8616901	Drive Shield	
<b>12</b>	00622SG	Terminal	
<b>13</b>	M400003	Pop Rivet	
<b>14</b>	M413862	Insulator	
<b>15</b>	430642	Terminal Block	
<b>16</b>	70333001	Terminal Block Shield	
<b>17</b>	51783	Screw	
<b>18</b>	F8206901	Screw	
<b>19</b>	F8591601	EMI Filter	
<b>20</b>	00621SG	Male Tab Terminal	IEC Models
<b>21</b>	F8744301	Harness Support Bracket	IEC Models
<b>22</b>	70030501	Expansion Clip	
<b>23</b>	F8530901	Contactory Tray	
<b>24</b>	F8449801	End Stop	
<b>25</b>	70482601	Contactory	5.5kW/500V; 24VDC
<b>26</b>	70482701	Contactory	50A; 24VDC
<b>27</b>	M412689	DIN Rail	7.5 mm x 35 mm x 8.364 inch
<b>28</b>	44088001	Nut	
<b>29</b>	F8530801	Drive Terminal Tray	

# Inverter Drive Box - 20 and 30 Pound Models with N, P, Q, W, X and Y Voltage

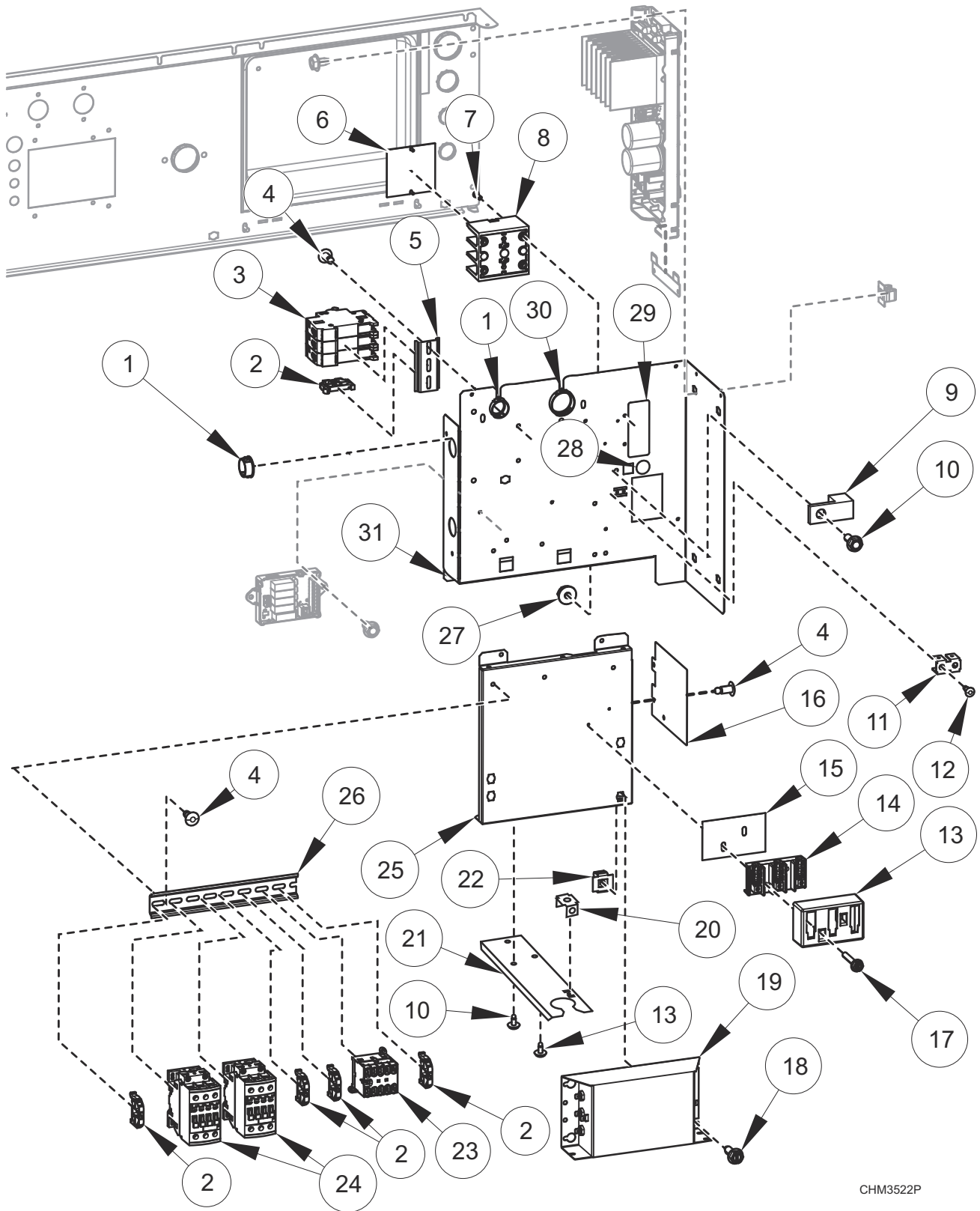


CHM3521P

## Inverter Drive Box - 20 and 30 Pound Models with N, P, Q, W, X and Y Voltage

REF	PART NO.	DESCRIPTION	COMMENTS
	F8567001	Drive Panel Base Assembly	Includes items 10-13, 21, 25 and 27
	F8518401	Harness	Power TB1; W, X and Y voltage
	F8518501	Harness	Power TB1; N and P voltage
	F8518502	Harness	Power PDB; N and P voltage; Electric heat
	F8518402	Harness	Power PDB; Q voltage; Electric heat
	F8518404	Harness	Power filter; Q, W, X, and Y voltage
	F8518504	Harness	Power filter; N and P voltage
	F8518605	Harness	Power drive; Q, W, X, and Y voltage
	F8518606	Harness	Power drive; N and P voltage
	F8528001	Harness	TB filter
	F8528002	Harness	PDB filter; Electric heat
	F8528005	Harness	TB2 Filter; N, P, Q, W, X, and Y voltage
	F8619101	Power Harness	Power contactor; Electric heat
	F8619102	Harness	Power contactor; Electric heat
	F8662809	Filter Kit	Includes items 1, 14-20, harnesses and labels; Q voltage; Electric heat
	F8662810	Filter Kit	Includes items 1, 14-20, harnesses and labels; N and P voltage; Electric heat
	F8662803	Filter Kit	Includes items 1, 14-20, harnesses and labels; W, X and Y voltage
	F8662805	Filter Kit	Includes items 1, 14-20, harnesses and labels; N and P voltage
<b>1</b>	F140938	Snap Bushing	
<b>2</b>	44014901P	Power Distribution Block Cover	Electric heat
<b>3</b>	39733	Screw	Electric heat
<b>4</b>	M413865	Power Distribution Block	Electric heat
<b>5</b>	70346501	Bushing	
<b>6</b>	44286803	Label	Power input; L1, L2, L3; N and P voltage
	44286804	Wire Label	Power input; L1, L2/N; L1, L2, L3; W, X and Y voltage
<b>7</b>	D516100	Label	
<b>8</b>	M411283	Ground Lug Connector	
<b>9</b>	685837	Screw	
<b>10</b>	70058501	Pop Rivet	
<b>11</b>	F8616901	Drive Shield	
<b>12</b>	00622SG	Terminal	
<b>13</b>	M400003	Pop Rivet	
<b>14</b>	M413862	Insulator	
<b>15</b>	430642	Terminal Block	
<b>16</b>	70333001	Terminal Block Shield	
<b>17</b>	51783	Screw	
<b>18</b>	F8206901	Screw	
<b>19</b>	F8591801	EMI Filter	
	F8637501	EMI Filter	
<b>20</b>	00621SG	Male Tab Terminal	IEC Models
<b>21</b>	F8744301	Harness Support Bracket	IEC Models
<b>22</b>	70030501	Expansion Clip	
<b>23</b>	F8530901	Contactors Tray	
<b>24</b>	F8449801	End Stop	
<b>25</b>	70482601	Contactors	5.5kW/500V; 24VDC
<b>26</b>	70482701	Contactors	50A; 24VDC
<b>27</b>	M412689	DIN Rail	7.5 mm x 35 mm x 8.364 inch
<b>28</b>	44088001	Nut	
<b>29</b>	F8530801	Drive Terminal Tray	

# Inverter Drive Box - 40 Pound Models with B Voltage

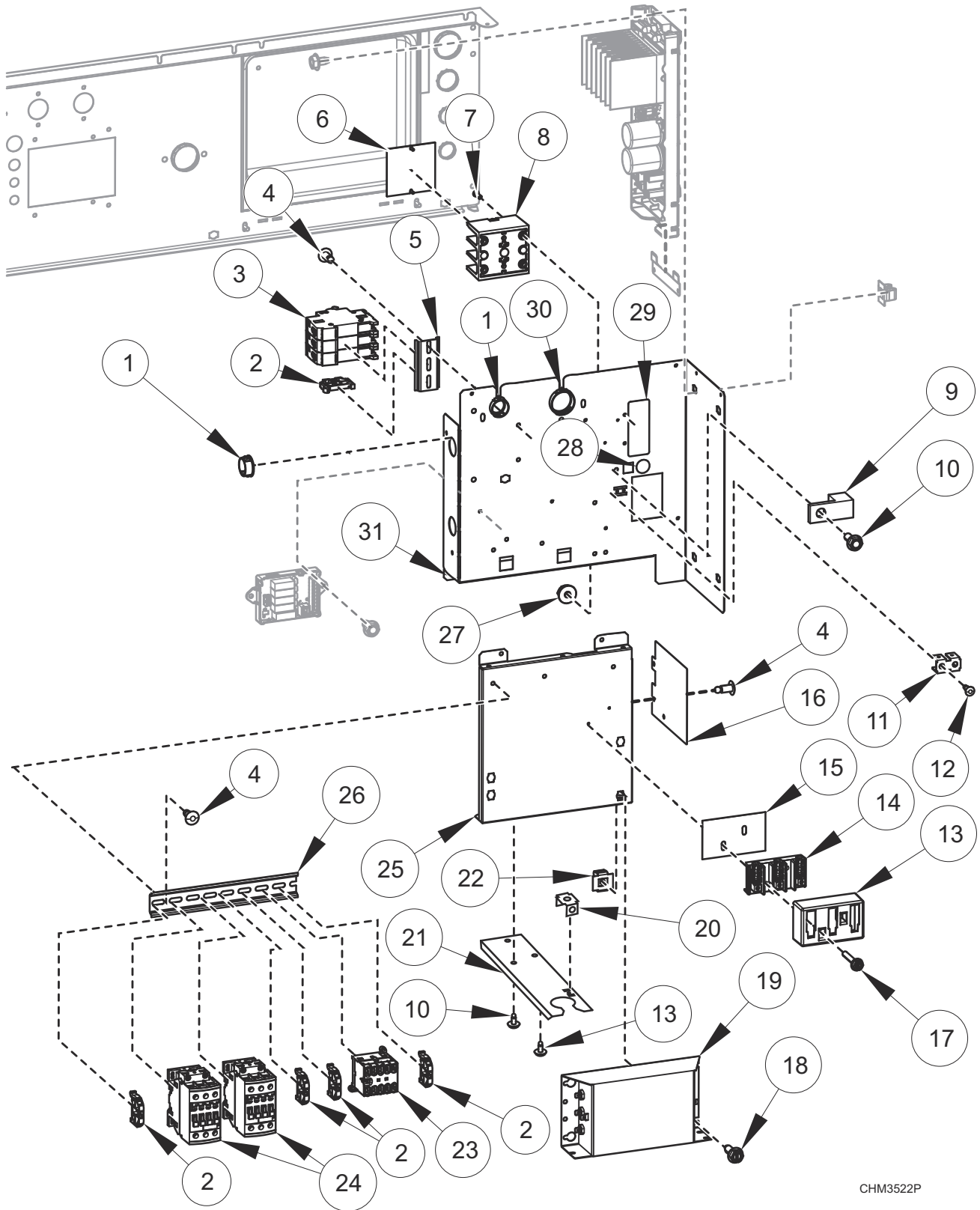


CHM3522P

## Inverter Drive Box - 40 Pound Models with B Voltage

REF	PART NO.	DESCRIPTION	COMMENTS
	F8567001	Drive Panel Base Assembly	Includes items 4, 11, 12, 16, 23, 24 and 29
	F8567002	Drive Panel Base Assembly	Electric heat; Includes items 4, 5, 11, 12, 16, 23, 24 and 29
	F8583501	Jumper	Circuit breaker jumper; Electric heat
	F8518405	Harness	Power TB1
	F8518604	Harness	Power drive
	F8528001	Harness	TB filter
	F8528003	Harness	CB filter; Electric heat
	F8528004	Harness	TB filter
	F8528006	Harness	TB2 filter
	F8619101	Power Harness	Power contactor; Electric heat
	F8619102	Harness	Power contactor; Electric heat
	F8662802	Filter Kit	Includes items 1, 14, 15, 17-20, harnesses and labels; B voltage
<b>1</b>	F140938	Snap Bushing	
<b>2</b>	F8449801	End Stop	
<b>3</b>	70488101	Circuit Breaker	3P; 25A; Electric heat
<b>4</b>	70058501	Pop Rivet	
<b>5</b>	B12315401	DIN Rail	7.5 mm x 35 mm x 72 mm; Electric heat
<b>6</b>	44014901P	Power Distribution Block Cover	Electric heat
<b>7</b>	39733	Screw	Electric heat
<b>8</b>	M413865	Power Distribution Block	Electric heat
<b>9</b>	M411283	Ground Lug Connector	
<b>10</b>	685837	Screw	
<b>11</b>	00622SG	Terminal	
<b>12</b>	M400003	Pop Rivet	
<b>13</b>	70333001	Terminal Block Shield	
<b>14</b>	430642	Terminal Block	
<b>15</b>	M413862	Insulator	
<b>16</b>	F8616901	Drive Shield	
<b>17</b>	51783	Screw	
<b>18</b>	F8206901	Screw	
<b>19</b>	F8591601	EMI Filter	
<b>20</b>	00621SG	Male Tab Terminal	IEC Models
<b>21</b>	F8744301	Harness Support Bracket	IEC Models
<b>22</b>	70030501	Expansion Clip	
<b>23</b>	70482601	Contactator	5.5kW/500V; 24VDC; Electric heat
<b>24</b>	70482701	Contactator	50A; 24VDC
<b>25</b>	F8530901	Contactator Tray	
<b>26</b>	M412689	DIN Rail	7.5 mm x 35 mm x 8.364 inch
<b>27</b>	44088001	Nut	
<b>28</b>	D516100	Label	
<b>29</b>	44286801	Label	Power input; L1, N
<b>30</b>	70346501	Bushing	
<b>31</b>	F8530801	Drive Terminal Tray	

# Inverter Drive Box - 40 Pound Models with N, P, Q, W, X and Y Voltage

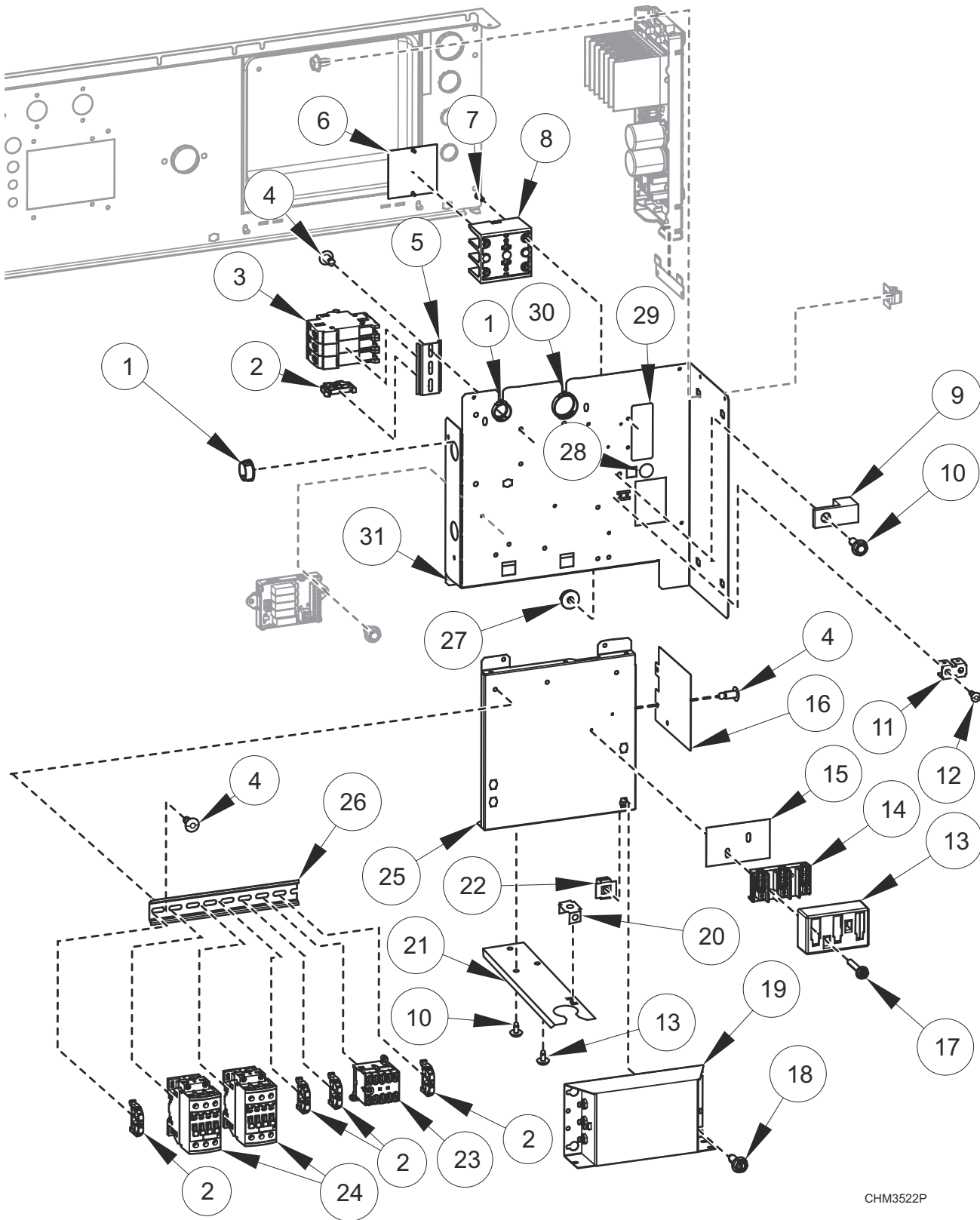


CHM3522P

## Inverter Drive Box - 40 Pound Models with N, P, Q, W, X and Y Voltage

REF	PART NO.	DESCRIPTION	COMMENTS
	F8567001	Drive Panel Base Assembly	Includes items 4, 11, 12, 16, 23, 24 and 29
	F8567002	Drive Panel Base Assembly	Electric heat; Includes items 4, 5, 11, 12, 16, 23, 24 and 29
	F8583501	Jumper	Circuit breaker jumper; Electric heat
	F8518401	Harness	Power TB1; W, X and Y voltage
	F8518501	Harness	Power TB1; N and P voltage
	F8518504	Harness	Power filter; N and P voltage
	F8518605	Harness	Power drive; Q, W, X, and Y voltage
	F8518606	Harness	Power drive; N and P voltage
	F8528001	Harness	TB filter
	F8528003	Harness	CB filter; Electric heat
	F8528005	Harness	TB2 Filter; N, P, Q, W, X, and Y voltage
	F8518503	Harness	Power CB; N and P voltage; Electric heat
	F8518403	Harness	Power CB; Q voltage; Electric heat
	F8619101	Power Harness	Power contactor; Electric heat
	F8619102	Harness	Power contactor; Electric heat
	F8662811	Filter Kit	Includes items 1, 14, 15, 17-20, harnesses and labels; Q voltage; Electric heat
	F8662812	Filter Kit	Includes items 1, 14, 15, 17-20, harnesses and labels; N and P voltage; Electric heat
	F8662804	Filter Kit	Includes items 1, 14, 15, 17-20, harnesses and labels; W, X and Y voltage
	F8662806	Filter Kit	Includes items 1, 14, 15, 17-20, harnesses and labels; N and P voltage
<b>1</b>	F140938	Snap Bushing	
<b>2</b>	F8449801	End Stop	
<b>3</b>	70488101	Circuit Breaker	3P; 25A; Electric heat
<b>4</b>	70058501	Pop Rivet	
<b>5</b>	B12315401	DIN Rail	7.5 mm x 35 mm x 72 mm; Electric heat
<b>6</b>	44014901P	Power Distribution Block Cover	Electric heat
<b>7</b>	39733	Screw	Electric heat
<b>8</b>	M413865	Power Distribution Block	Electric heat
<b>9</b>	M411283	Ground Lug Connector	
<b>10</b>	685837	Screw	
<b>11</b>	00622SG	Terminal	
<b>12</b>	M400003	Pop Rivet	
<b>13</b>	70333001	Terminal Block Shield	
<b>14</b>	430642	Terminal Block	
<b>15</b>	M413862	Insulator	
<b>16</b>	F8616901	Drive Shield	
<b>17</b>	51783	Screw	
<b>18</b>	F8206901	Screw	
<b>19</b>	F8591801	EMI Filter	Q, W, X and Y voltage
	F8637501	EMI Filter	N and P voltage
<b>20</b>	00621SG	Male Tab Terminal	IEC Models
<b>21</b>	F8744301	Harness Support Bracket	IEC Models
<b>22</b>	70030501	Expansion Clip	
<b>23</b>	70482601	Contactors	5.5kW/500V; 24VDC; Electric heat
<b>24</b>	70482701	Contactors	50A; 24VDC
<b>25</b>	F8530901	Contactors Tray	
<b>26</b>	M412689	DIN Rail	7.5 mm x 35 mm x 8.364 inch
<b>27</b>	44088001	Nut	
<b>28</b>	D516100	Label	
<b>29</b>	44286803	Label	Power input; L1, L2, L3; N and P voltage
	44286804	Wire Label	Power input; L1, L2/N; L1, L2, L3; W, X and Y voltage
<b>30</b>	70346501	Bushing	
<b>31</b>	F8530801	Drive Terminal Tray	

# Inverter Drive Box - 60 Pound Models with Q and X Voltage



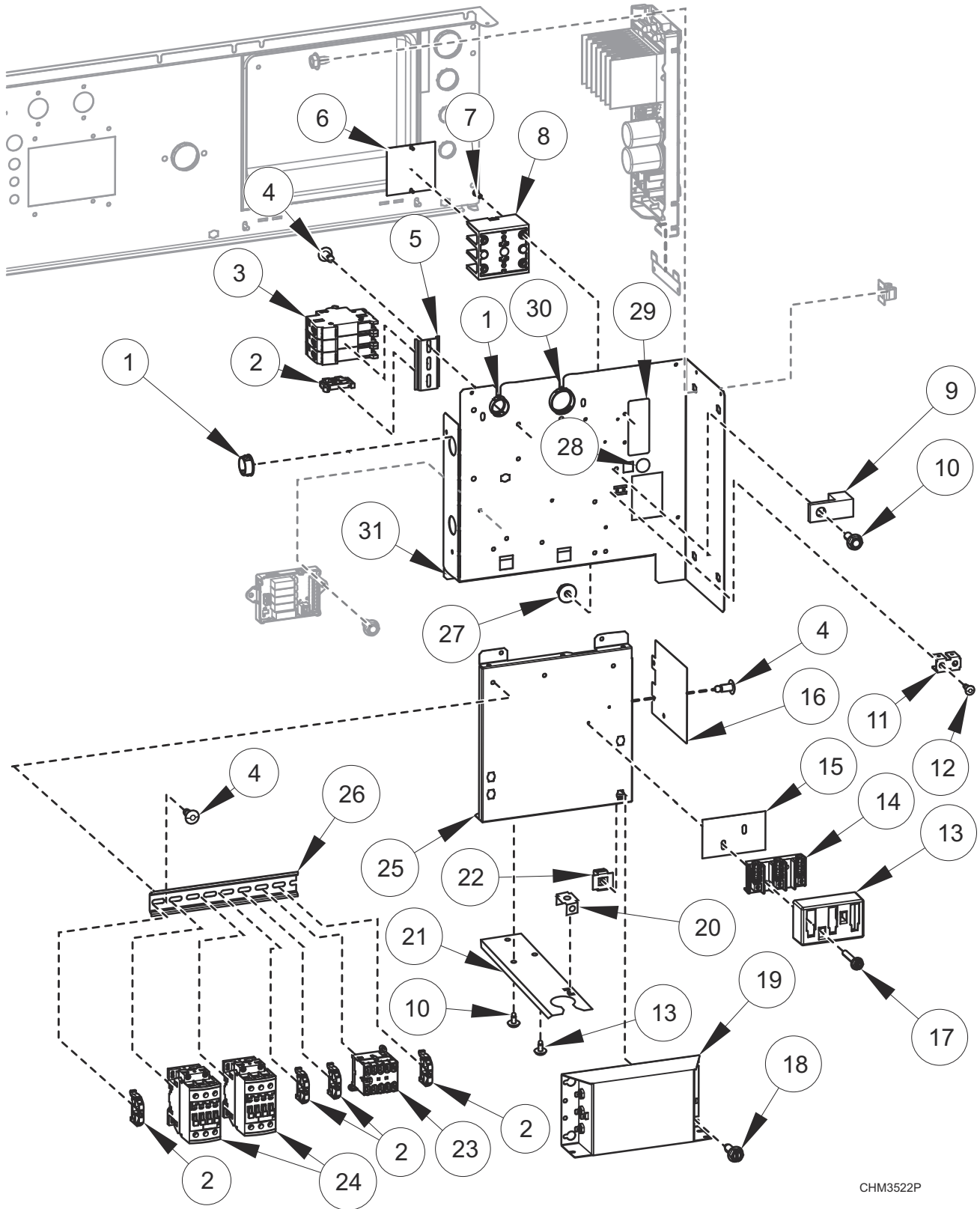
CHM3522P



## Inverter Drive Box - 60 Pound Models with Q and X Voltage

REF	PART NO.	DESCRIPTION	COMMENTS
	F8567003	Drive Panel Base Assembly	Includes items 4, 11, 12, 16, 23, 24 and 29
	F8567004	Drive Panel Base Assembly	Electric heat; Includes items 4, 5, 11, 12, 16, 23, 24 and 29
	F8583501	Jumper	Circuit breaker jumper; Electric heat
	F8518401	Harness	Power TB1; X voltage
	F8518404	Harness	Power filter
	F8518607	Harness	Power drive
	F8528001	Harness	TB filter
	F8528003	Harness	CB filter; Electric heat
	F8528005	Harness	TB2 Filter
	F8518403	Harness	Power CB; Q voltage; Electric heat
	F8619101	Power Harness	Power contactor; Electric heat
	F8619102	Harness	Power contactor; Electric heat
	F8662811	Filter Kit	Includes items 1, 14, 15, 17-20, harnesses and labels; Q voltage; Electric heat
	F8662804	Filter Kit	Includes items 1, 14, 15, 17-20, harnesses and labels; X voltage
<b>1</b>	F140938	Snap Bushing	
<b>2</b>	F8449801	End Stop	
<b>3</b>	70488101	Circuit Breaker	3P; 25A; Electric heat
<b>4</b>	70058501	Pop Rivet	
<b>5</b>	B12315401	DIN Rail	7.5 mm x 35 mm x 72 mm; Electric heat
<b>6</b>	44014901P	Power Distribution Block Cover	Electric heat
<b>7</b>	39733	Screw	Electric heat
<b>8</b>	M413865	Power Distribution Block	Electric heat
<b>9</b>	M411283	Ground Lug Connector	
<b>10</b>	685837	Screw	
<b>11</b>	00622SG	Terminal	
<b>12</b>	M400003	Pop Rivet	
<b>13</b>	70333001	Terminal Block Shield	
<b>14</b>	430642	Terminal Block	
<b>15</b>	M413862	Insulator	
<b>16</b>	F8616901	Drive Shield	
<b>17</b>	51783	Screw	
<b>18</b>	F8206901	Screw	
<b>19</b>	F8591801	EMI Filter	
<b>20</b>	00621SG	Male Tab Terminal	IEC Models
<b>21</b>	F8744301	Harness Support Bracket	IEC Models
<b>22</b>	70030501	Expansion Clip	
<b>23</b>	70482601	Contactora	5.5kW/500V; 24VDC
<b>24</b>	70482701	Contactora	50A; 24VDC
<b>25</b>	F8530901	Contactora Tray	
<b>26</b>	M412689	DIN Rail	7.5 mm x 35 mm x 8.364 inch
<b>27</b>	44088001	Nut	
<b>28</b>	D516100	Label	
<b>29</b>	44286804	Wire Label	Power input; L1, L2/N; L1, L2, L3; X voltage
<b>30</b>	70346501	Bushing	
<b>31</b>	F8530803	Drive Terminal Tray	

# Inverter Drive Box - 60 Pound Models with N and P Voltage

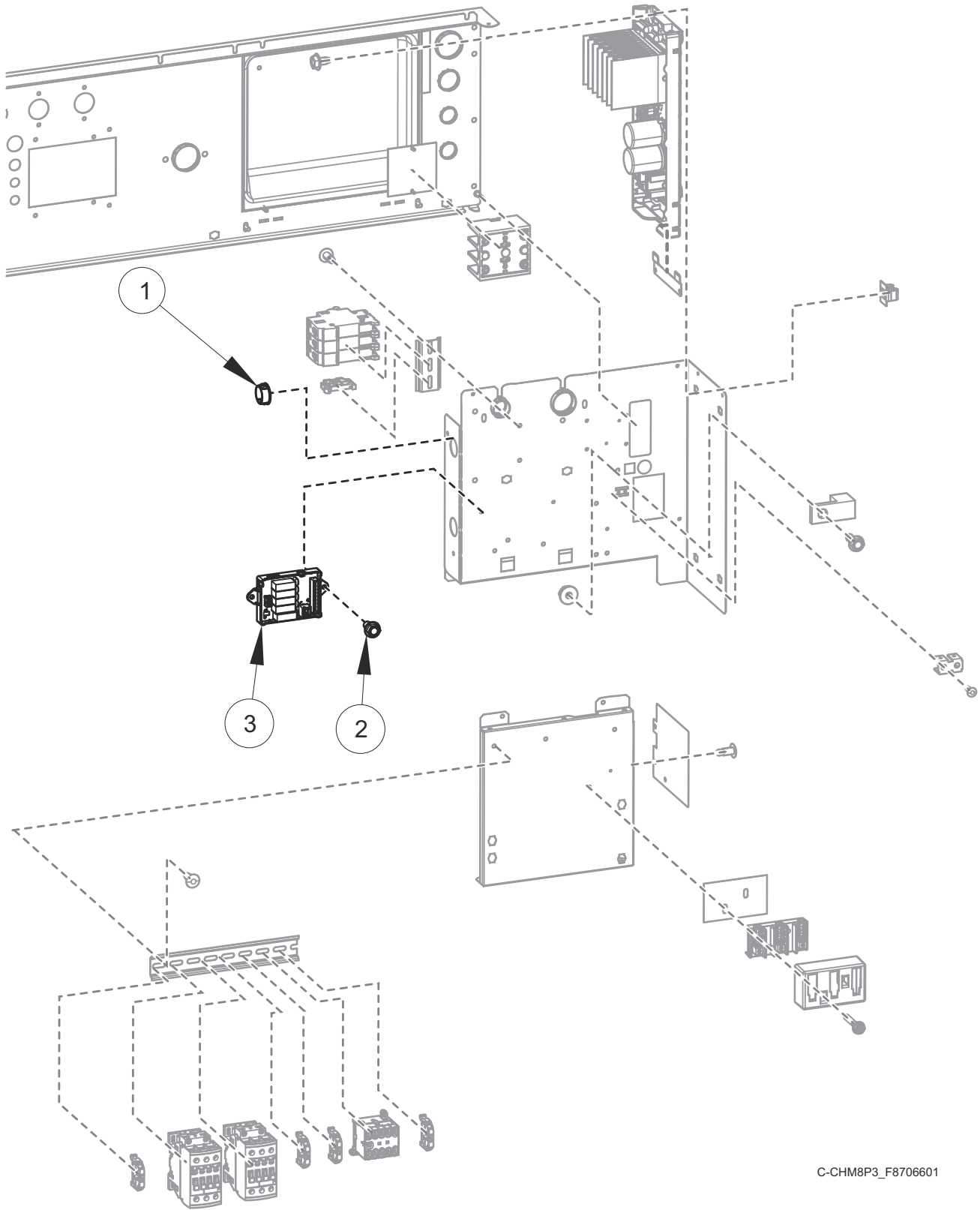


CHM3522P

## Inverter Drive Box - 60 Pound Models with N and P Voltage

REF	PART NO.	DESCRIPTION	COMMENTS
	F8567003	Drive Panel Base Assembly	Includes items 4, 11, 12, 16, 23, 24 and 29
	F8567004	Drive Panel Base Assembly	Electric heat; Includes items 4, 5, 11, 12, 16, 23, 24 and 29
	F8583501	Jumper	Circuit breaker jumper; Electric heat
	F8518501	Harness	Power TB1; N and P voltage
	F8518503	Harness	Power CB; Electric heat
	F8518504	Harness	Power filter
	F8518606	Harness	Power drive
	F8528001	Harness	TB filter
	F8528003	Harness	CB filter; Electric heat
	F8528005	Harness	TB2 Filter
	F8619101	Power Harness	Power contactor; Electric heat
	F8619102	Harness	Power contactor; Electric heat
	F8662812	Filter Kit	Includes items 1, 14, 15, 17-20, harnesses and labels; Electric heat
	F8662806	Filter Kit	Includes items 1, 14, 15, 17-20, harnesses and labels
<b>1</b>	F140938	Snap Bushing	
<b>2</b>	F8449801	End Stop	
<b>3</b>	70488101	Circuit Breaker	3P; 25A; Electric heat
<b>4</b>	70058501	Pop Rivet	
<b>5</b>	B12315401	DIN Rail	7.5 mm x 35 mm x 72 mm; Electric heat
<b>6</b>	44014901P	Power Distribution Block Cover	Electric heat
<b>7</b>	39733	Screw	Electric heat
<b>8</b>	M413865	Power Distribution Block	Electric heat
<b>9</b>	M411283	Ground Lug Connector	
<b>10</b>	685837	Screw	
<b>11</b>	00622SG	Terminal	
<b>12</b>	M400003	Pop Rivet	
<b>13</b>	70333001	Terminal Block Shield	
<b>14</b>	430642	Terminal Block	
<b>15</b>	M413862	Insulator	
<b>16</b>	F8616901	Drive Shield	
<b>17</b>	51783	Screw	
<b>18</b>	F8206901	Screw	
<b>19</b>	F8637501	EMI Filter	
<b>20</b>	00621SG	Male Tab Terminal	IEC Models
<b>21</b>	F8744301	Harness Support Bracket	IEC Models
<b>22</b>	70030501	Expansion Clip	
<b>23</b>	70482601	Contactors	5.5kW/500V; 24VDC
<b>24</b>	70482701	Contactors	50A; 24VDC
<b>25</b>	F8530901	Contactors Tray	
<b>26</b>	M412689	DIN Rail	7.5 mm x 35 mm x 8.364 inch
<b>27</b>	44088001	Nut	
<b>28</b>	D516100	Label	
<b>29</b>	44286803	Label	Power input; L1, L2, L3
<b>30</b>	70346501	Bushing	
<b>31</b>	F8530803	Drive Terminal Tray	

# External Supply Kit

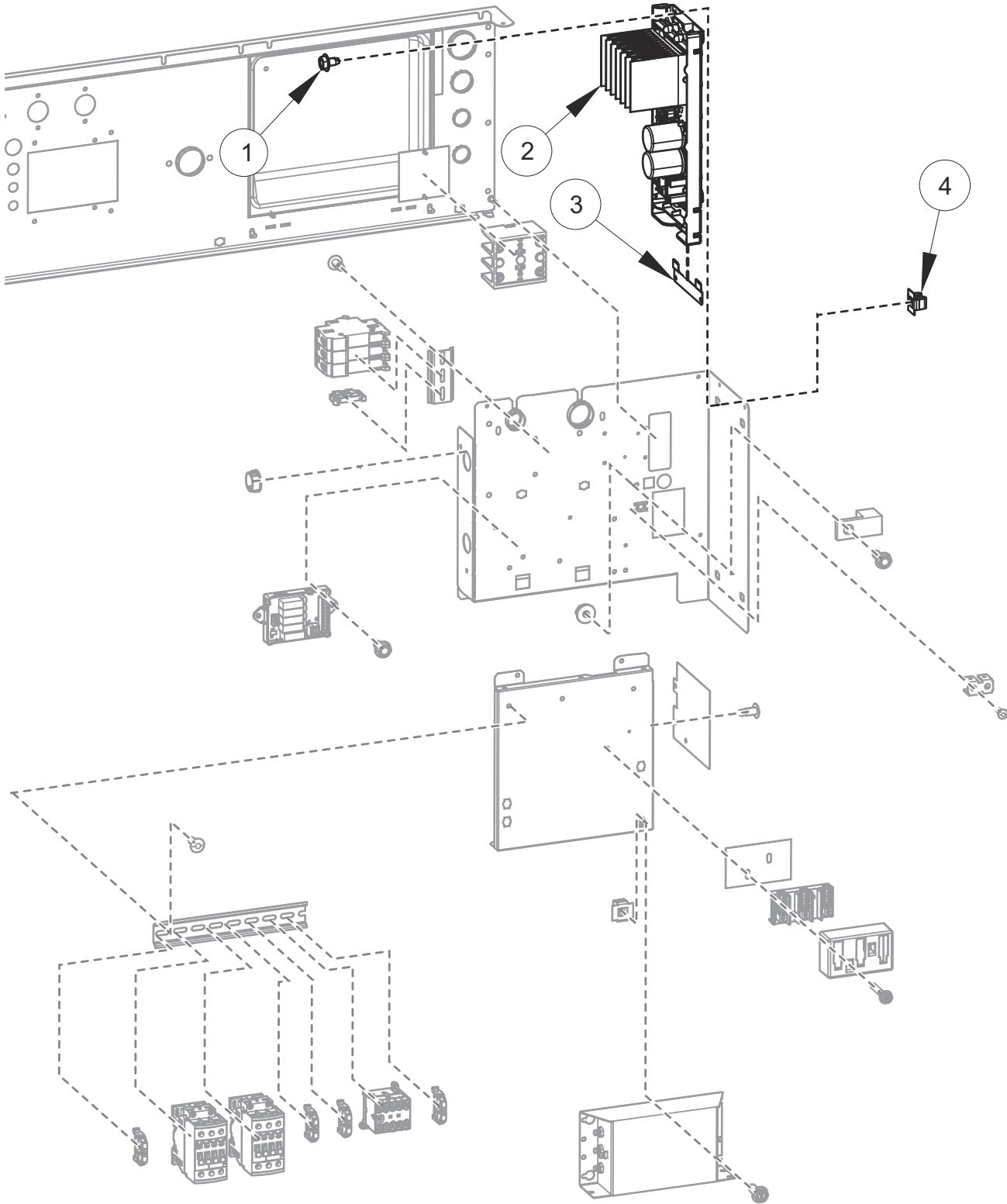


C-CHM8P3\_F8706601

## External Supply Kit

REF	PART NO.	DESCRIPTION	COMMENTS
	F8520601	Harness	Communication; 20 and 30 pound models
	F8520602	Harness	Communication; 40 and 60 pound models
	F8528203	Harness	Power; B voltage
	F8528204	Harness	Power; N, P, Q, W, X and Y voltage
	F8662505	External Supply Kit	20 and 30 pound models with B voltage; Includes items 1-3, F8520601 Harness, F8528203 Harness, 202758 Transformer and labels; 4 out
	F8662506	External Supply Kit	40 pound models with B voltage; Includes items 1-3, F8520602 Harness, F8528203 Harness, 202758 Transformer and labels; 4 out
	F8662507	External Supply Kit	20 and 30 pound models with N, P, Q and X voltage; Includes items 1-3, F8520601 Harness, F8528204 Harness, 202758 Transformer and labels; 4 out
	F8662508	External Supply Kit	40 and 60 pound models with N, P, Q and X voltage; Includes items 1-3, F8520602 Harness, F8528204 Harness, 202758 Transformer and labels; 4 out
<b>1</b>	F140938	Snap Bushing	
<b>2</b>	430497	Screw	
<b>3</b>	804528	Chemical Injection Control	5 output
	70493102	Connector	9 pin; H2

# Inverter Drive

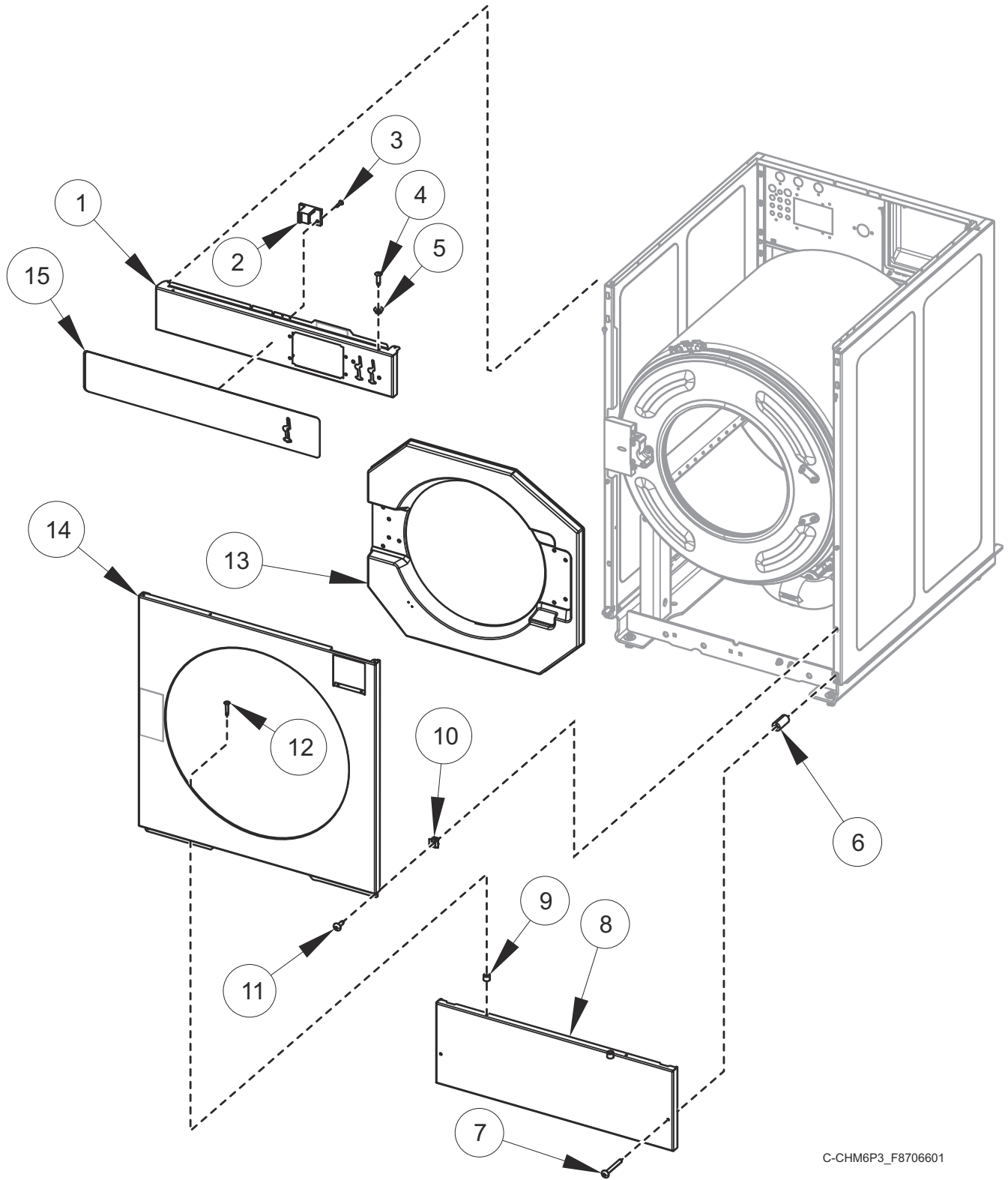


C-CHM2P22\_F8706601

## Inverter Drive

REF	PART NO.	DESCRIPTION	COMMENTS
	F8519202	Drive Communication Harness	20 and 30 pound models; 40 and 60 pound models with N and P voltage; Electric heat
	F8519203	Drive Communication Harness	40 and 60 pound models with Q voltage; Electric heat
	F8519201	Drive Communication Harness	Standard
	F8519204	Drive Communication Harness	Steam heat
	F8518605	Harness	Power drive; 20, 30 and 40 pound models with Q, W, X and Y voltage; EMI filter
	F8518607	Harness	60 pound models with Q and X voltage; EMI filter
	F8518606	Harness	Power drive; N and P voltage; EMI filter
	F8518602	Drive Power Harness	Q, W, X and Y voltage
	F8518603	Drive Power Harness	N and P voltage
	F8518601	Drive Power Harness	B voltage
<b>1</b>	D503688	Screw	
<b>2</b>	F8496001	Drive Assembly	20, 30 and 40 pound models; N and P-voltage; 2 hp; 480 Volt
	F8495401P	Drive Assembly	20, 30 and 40 pound models; B, Q, W X and Y-voltage; 2 hp; 120/240 Volt
	F8496301P	Drive Assembly	60 pound models; Q and X-voltage; 3 hp; 240 Volt
	F8496901	Drive Assembly	60 pound models; N and P-voltage; 5 hp; 480 Volt
<b>3</b>	F8322401	Drive Mounting Bracket	2 included with N and P voltage
<b>4</b>	70030501	Expansion Clip	

# Front Panels and Control Panel - Design 4



C-CHM6P3\_F8706601

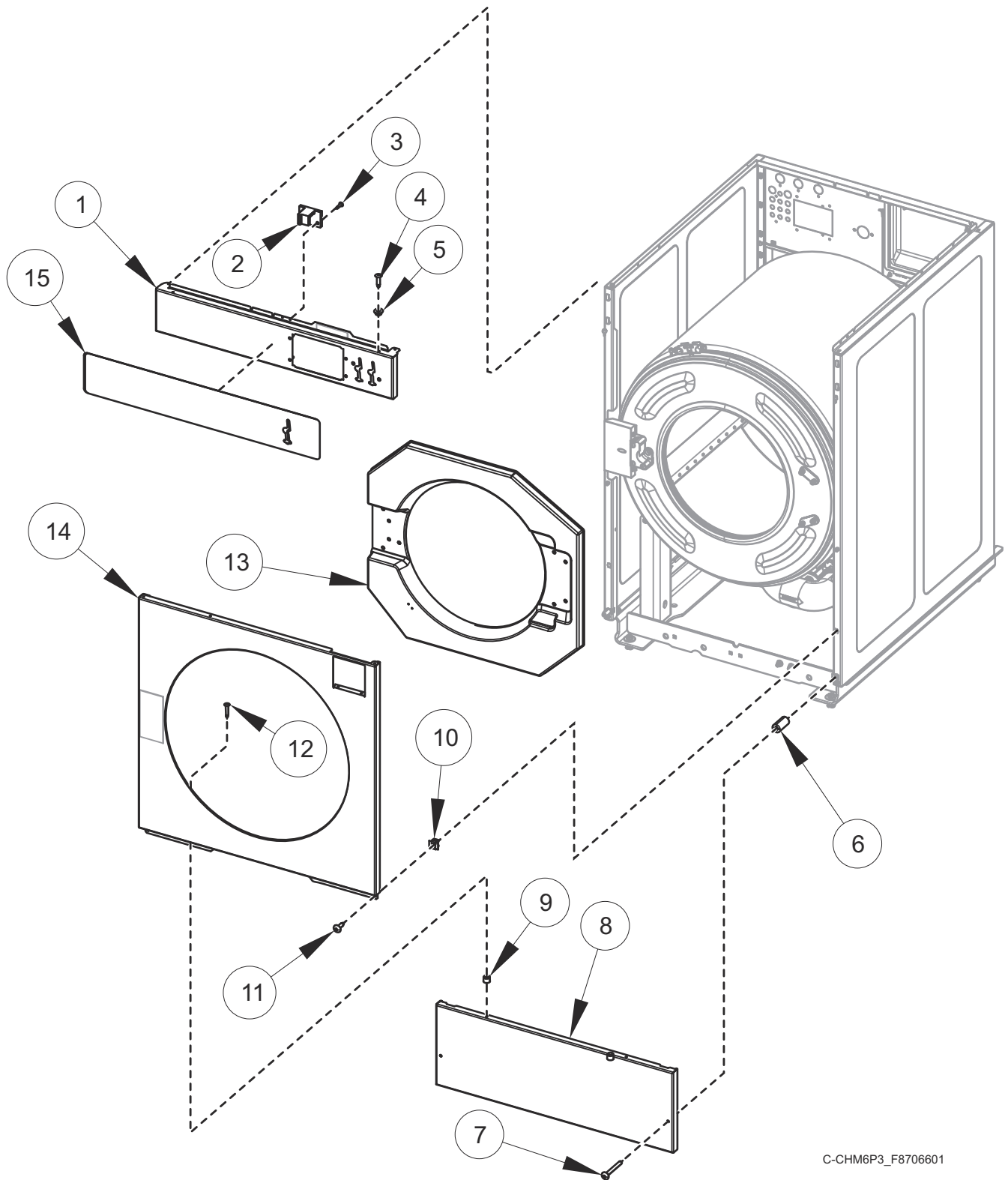


## Front Panels and Control Panel - Design 4

REF	PART NO.	DESCRIPTION	COMMENTS
	F8535501	Screw	Attaches front panel to coin box
1	F8523701	Control Panel Assembly	20 pound models
	F8523801	Control Panel Assembly	30 pound models
	F8523901	Control Panel Assembly	40 pound models
	F8553701	Control Panel Assembly	60 pound models
2	F8201001	Top Cover Latch	
3	F431215	Pop Rivet	
4	70412601	Pop Rivet	
5	F8201101	Washer	
6	F8609701	Access Panel Retaining Spacer	
7	F8589501	Screw	
8	F8524001	Access Panel	20 pound models
	F8524101	Access Panel	30 pound models
	F8524201	Access Panel	40 pound models
	F8553901	Access Panel	60 pound models
9	56079	Panel Locator	
10	70030501	Expansion Clip	
11	F8117601	Screw	
12	M412763	Rivet	
13	F8658701	Door Bezel	20 pound models
	F8658901	Door Bezel	30 pound models
	F8659101	Door Bezel	40 and 60 pound models
14	F8524301	Front Panel	20 pound models
	F8524401	Front Panel	30 pound models
	F8524501	Front Panel	40 pound models
	F8554001	Front Panel	60 pound models
15	F8704001	Overlay	PC 20 pound models; Single coin
	F8704101	Overlay	PC 30 pound models; Single coin
	F8704201	Overlay	PC 40 pound models; Single coin
	F8704301	Overlay	PC 60 pound models; Single coin
	F8704002	Overlay	PC 20 pound models; Dual coin
	F8704102	Overlay	PC 30 pound models; Dual coin
	F8704202	Overlay	PC 40 pound models; Dual coin
	F8704302	Overlay	PC 60 pound models; Dual coin
	F8704005	Overlay	PC 20 pound models; World drop
	F8704105	Overlay	PC 30 pound models; World drop
	F8704205	Overlay	PC 40 pound models; World drop
	F8704305	Overlay	PC 60 pound models; World drop
	F8703401	Overlay	BC 20 pound models; Single coin
	F8703501	Overlay	BC 30 pound models; Single coin
	F8703601	Overlay	BC 40 pound models; Single coin
	F8703701	Overlay	BC 60 pound models; Single coin
	F8703402	Overlay	BC 20 pound models; Dual coin
	F8703502	Overlay	BC 30 pound models; Dual coin
	F8703602	Overlay	BC 40 pound models; Dual coin
	F8703702	Overlay	BC 60 pound models; Dual coin
	F8703405	Overlay	BC 20 pound models; World drop
	F8703505	Overlay	BC 30 pound models; World drop
	F8703605	Overlay	BC 40 pound models; World drop
	F8703705	Overlay	BC 60 pound models; World drop

# Front Panels and Control Panel - Design 7 (Drawing 1 of 3)

Models with 0, A or C in 17th Position



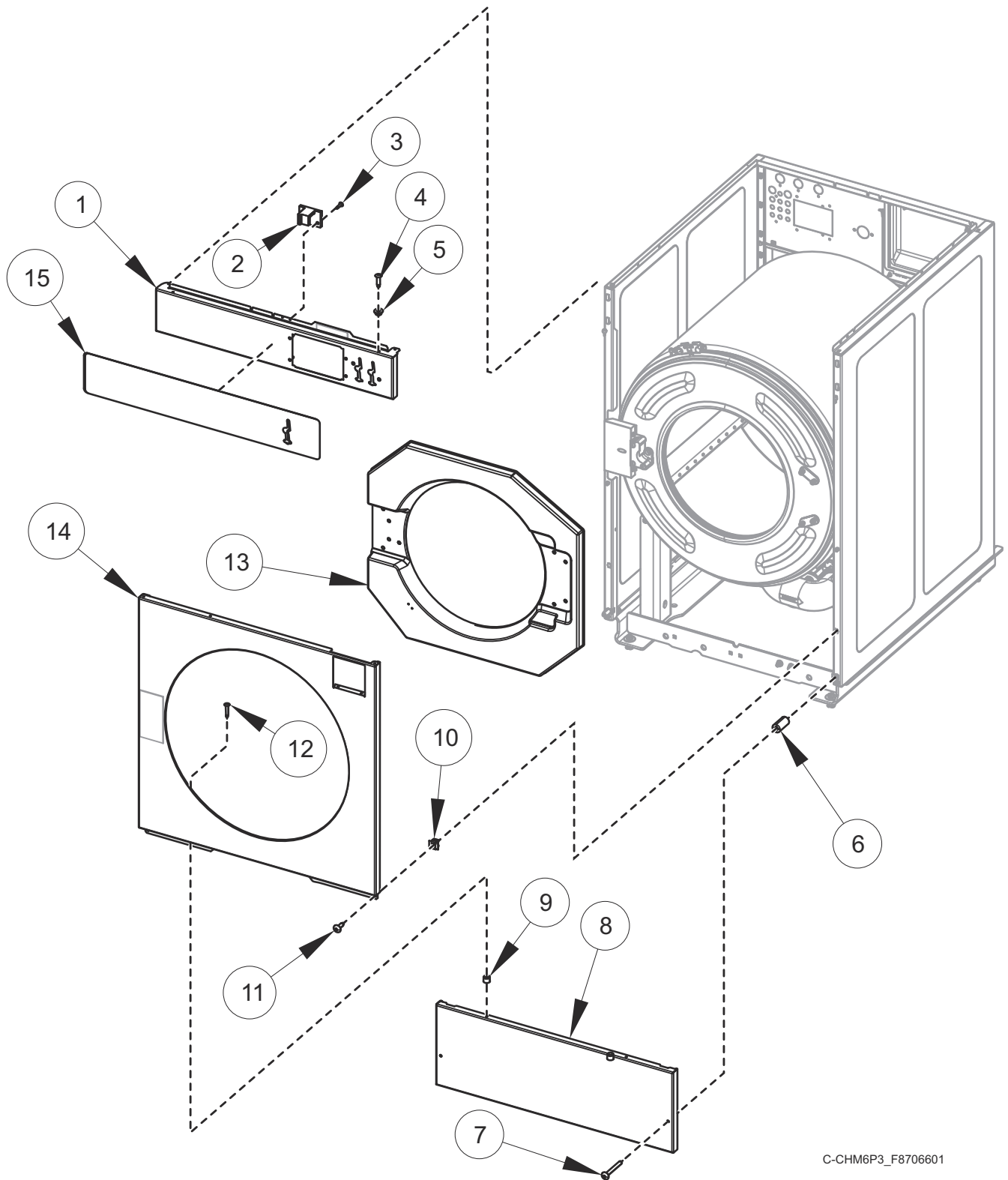
C-CHM6P3\_F8706601

## Front Panels and Control Panel - Design 7 (Drawing 1 of 3)

REF	PART NO.	DESCRIPTION	COMMENTS
1	F8523701	Control Panel Assembly	20 pound models
	F8523801	Control Panel Assembly	30 pound models
	F8523901	Control Panel Assembly	40 pound models
	F8553701	Control Panel Assembly	60 pound models
2	F8201001	Top Cover Latch	
3	F431215	Pop Rivet	
4	70412601	Pop Rivet	
5	F8201101	Washer	
6	F8609701	Access Panel Retaining Spacer	
7	F8589501	Screw	
8	F8524001	Access Panel	20 pound models
	F8524101	Access Panel	30 pound models
	F8524201	Access Panel	40 pound models
	F8553901	Access Panel	60 pound models
9	56079	Panel Locator	
10	70030501	Expansion Clip	
11	F8117601	Screw	
12	M412763	Rivet	
13	F8658701	Door Bezel	20 pound models
	F8658901	Door Bezel	30 pound models
	F8659101	Door Bezel	40 and 60 pound models
14	F8524303	Front Panel	20 pound models
	F8524403	Front Panel	30 pound models
	F8524503	Front Panel	40 pound models
	F8554003	Front Panel	60 pound models
15	F8704001	Overlay	PC 20 pound models; Single coin
	F8704101	Overlay	PC 30 pound models; Single coin
	F8704201	Overlay	PC 40 pound models; Single coin
	F8704301	Overlay	PC 60 pound models; Single coin
	F8704002	Overlay	PC 20 pound models; Dual coin
	F8704102	Overlay	PC 30 pound models; Dual coin
	F8704202	Overlay	PC 40 pound models; Dual coin
	F8704302	Overlay	PC 60 pound models; Dual coin
	F8704005	Overlay	PC 20 pound models; World drop
	F8704105	Overlay	PC 30 pound models; World drop
	F8704205	Overlay	PC 40 pound models; World drop
	F8704305	Overlay	PC 60 pound models; World drop
	F8703401	Overlay	BC 20 pound models; Single coin
	F8703501	Overlay	BC 30 pound models; Single coin
	F8703601	Overlay	BC 40 pound models; Single coin
	F8703701	Overlay	BC 60 pound models; Single coin
	F8703402	Overlay	BC 20 pound models; Dual coin
	F8703502	Overlay	BC 30 pound models; Dual coin
	F8703602	Overlay	BC 40 pound models; Dual coin
	F8703702	Overlay	BC 60 pound models; Dual coin
	F8703405	Overlay	BC 20 pound models; World drop
	F8703505	Overlay	BC 30 pound models; World drop
	F8703605	Overlay	BC 40 pound models; World drop
F8703705	Overlay	BC 60 pound models; World drop	

# Front Panels and Control Panel - Design 7 (Drawing 2 of 3)

B Models with D in 17th Position



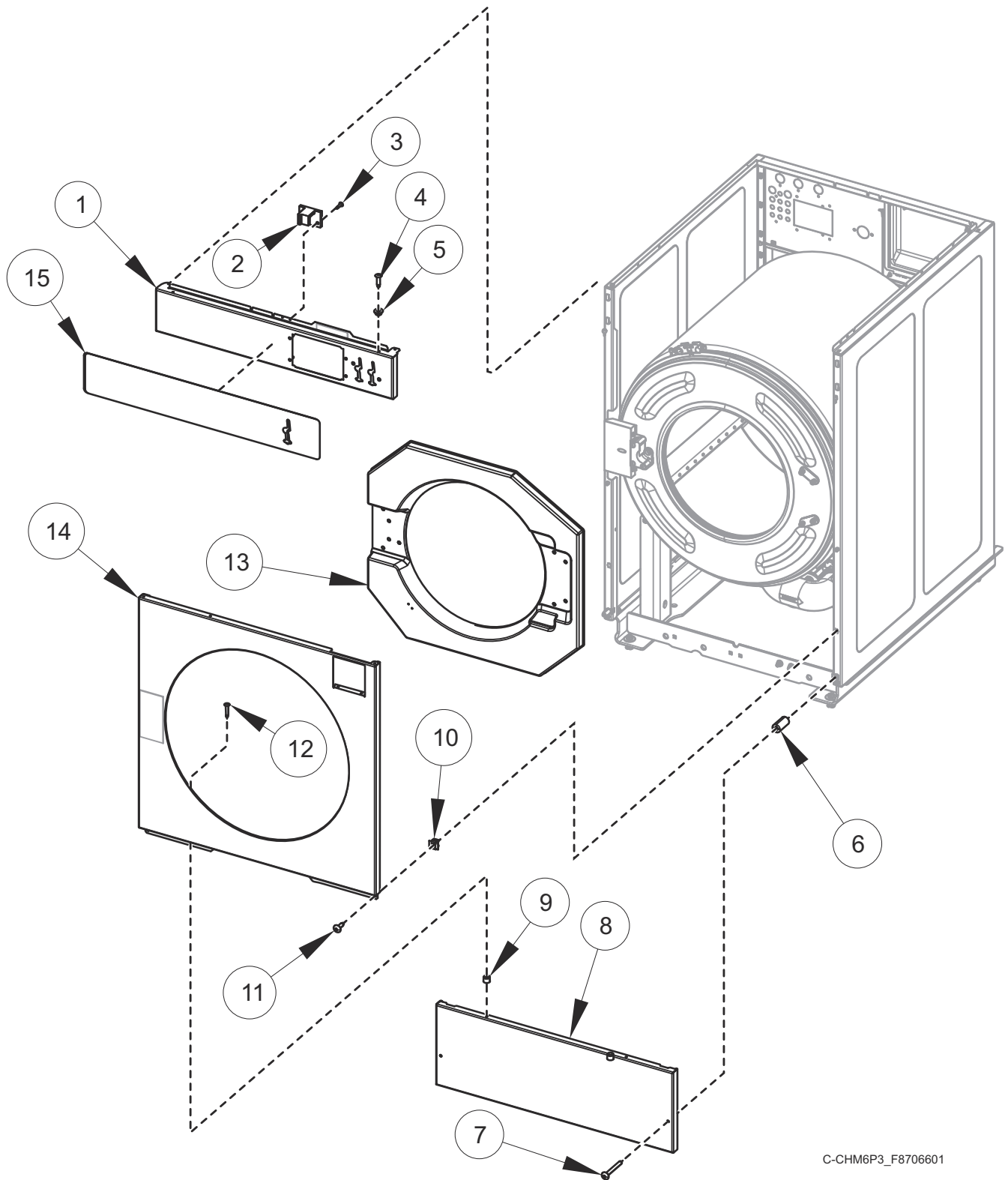
C-CHM6P3\_F8706601

## Front Panels and Control Panel - Design 7 (Drawing 2 of 3)

REF	PART NO.	DESCRIPTION	COMMENTS
	F8750201	Access Panel Overlay	20 pound models
	F8750301	Access Panel Overlay	30 pound models
	F8750401	Access Panel Overlay	40 pound models
	F8750501	Access Panel Overlay	60 pound models
<b>1</b>	F8523701	Control Panel Assembly	20 pound models
	F8523801	Control Panel Assembly	30 pound models
	F8523901	Control Panel Assembly	40 pound models
	F8553701	Control Panel Assembly	60 pound models
<b>2</b>	F8201001	Top Cover Latch	
<b>3</b>	F431215	Pop Rivet	
<b>4</b>	70412601	Pop Rivet	
<b>5</b>	F8201101	Washer	
<b>6</b>	F8609701	Access Panel Retaining Spacer	
<b>7</b>	F8589502	Screw	
<b>8</b>	F8524001	Access Panel	20 pound models
	F8524101	Access Panel	30 pound models
	F8524201	Access Panel	40 pound models
	F8553901	Access Panel	60 pound models
<b>9</b>	56079	Panel Locator	
<b>10</b>	70030501	Expansion Clip	
<b>11</b>	F8117601	Screw	
<b>12</b>	M412763	Rivet	
<b>13</b>	F8658701	Door Bezel	20 pound models
	F8658901	Door Bezel	30 pound models
	F8659101	Door Bezel	40 and 60 pound models
<b>14</b>	F8753801	Front Panel Assembly	20 pound models
	F8753901	Front Panel Assembly	30 pound models
	F8754001	Front Panel Assembly	40 pound models
	F8754101	Front Panel Assembly	60 pound models
<b>15</b>	F8703401	Overlay	20 pound models; Single coin
	F8703501	Overlay	30 pound models; Single coin
	F8703601	Overlay	40 pound models; Single coin
	F8703701	Overlay	60 pound models; Single coin
	F8703402	Overlay	20 pound models; Dual coin
	F8703502	Overlay	30 pound models; Dual coin
	F8703602	Overlay	40 pound models; Dual coin
	F8703702	Overlay	60 pound models; Dual coin
	F8703405	Overlay	20 pound models; World drop
	F8703505	Overlay	30 pound models; World drop
	F8703605	Overlay	40 pound models; World drop
	F8703705	Overlay	60 pound models; World drop

# Front Panels and Control Panel - Design 7 (Drawing 3 of 3)

P Models with D in 17th Position

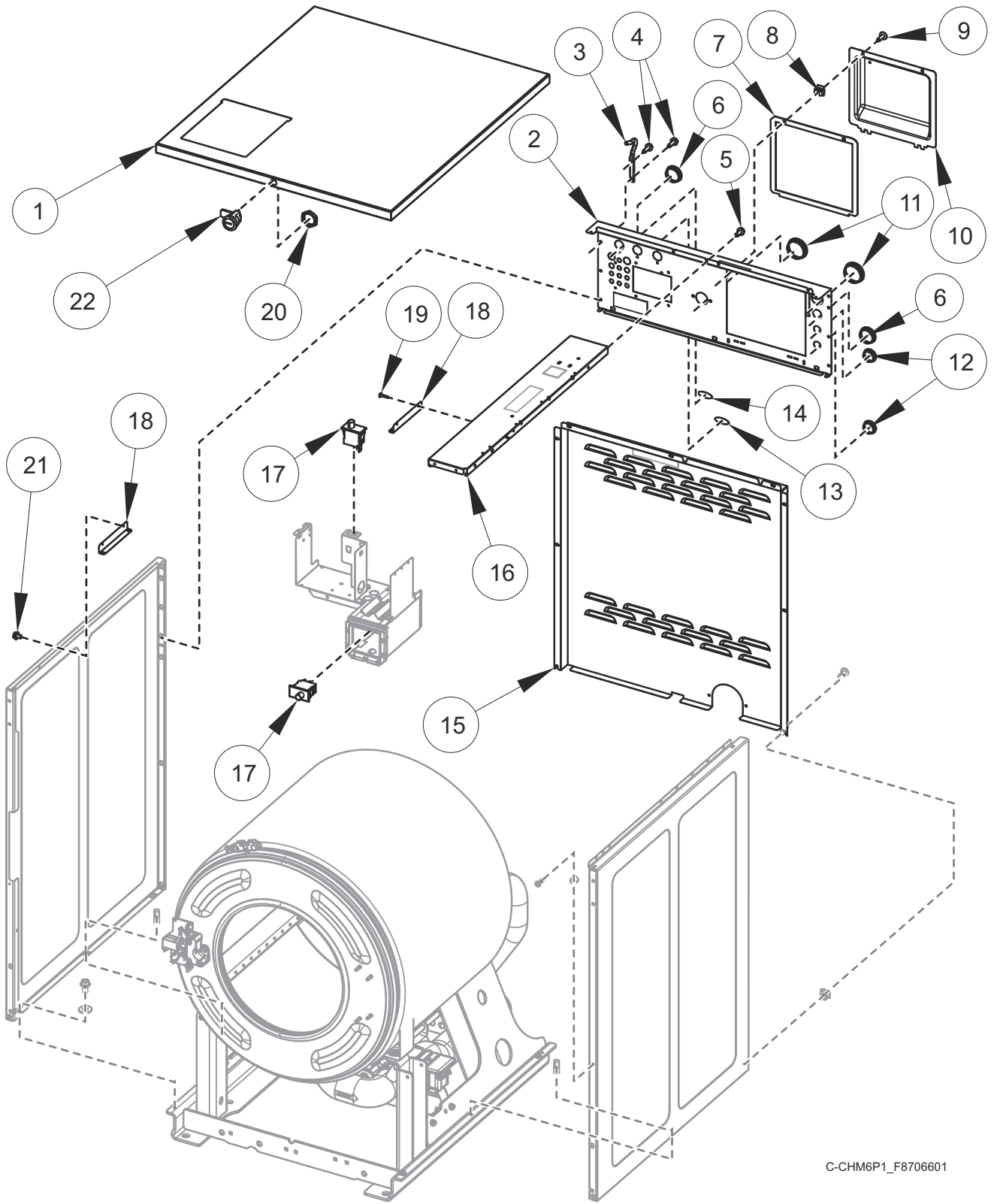


C-CHM6P3\_F8706601

## Front Panels and Control Panel - Design 7 (Drawing 3 of 3)

REF	PART NO.	DESCRIPTION	COMMENTS
1	F8523707	Control Panel Assembly	20 pound models
	F8523807	Control Panel Assembly	30 pound models
	F8523907	Control Panel Assembly	40 pound models
	F8553707	Control Panel Assembly	60 pound models
2	F8201001	Top Cover Latch	
3	F431215	Pop Rivet	
4	70412601	Pop Rivet	
5	F8201101	Washer	
6	F8609701	Access Panel Retaining Spacer	
7	F8589501	Screw	
8	F8524002DG	Access Panel	20 pound models
	F8524102DG	Access Panel	30 pound models
	F8524202DG	Access Panel	40 pound models
	F8553902DG	Access Panel	60 pound models
9	56079	Panel Locator	
10	70030501	Expansion Clip	
11	F8117601	Screw	
12	M412763	Rivet	
13	F8658701	Door Bezel	20 pound models
	F8658901	Door Bezel	30 pound models
	F8659101	Door Bezel	40 and 60 pound models
14	F8686003DG	Front Panel	20 pound models
	F8686103DG	Front Panel	30 pound models
	F8685305DG	Front Panel	40 pound models
	F8686203DG	Front Panel	60 pound models
15	F8704001	Overlay	20 pound models; Single coin
	F8704101	Overlay	30 pound models; Single coin
	F8704201	Overlay	40 pound models; Single coin
	F8704301	Overlay	60 pound models; Single coin
	F8704002	Overlay	20 pound models; Dual coin
	F8704102	Overlay	30 pound models; Dual coin
	F8704202	Overlay	40 pound models; Dual coin
	F8704302	Overlay	60 pound models; Dual coin
	F8704005	Overlay	20 pound models; World drop
	F8704105	Overlay	30 pound models; World drop
	F8704205	Overlay	40 pound models; World drop
F8704305	Overlay	60 pound models; World drop	

# Rear and Top Panels



C-CHM6P1\_F8706601

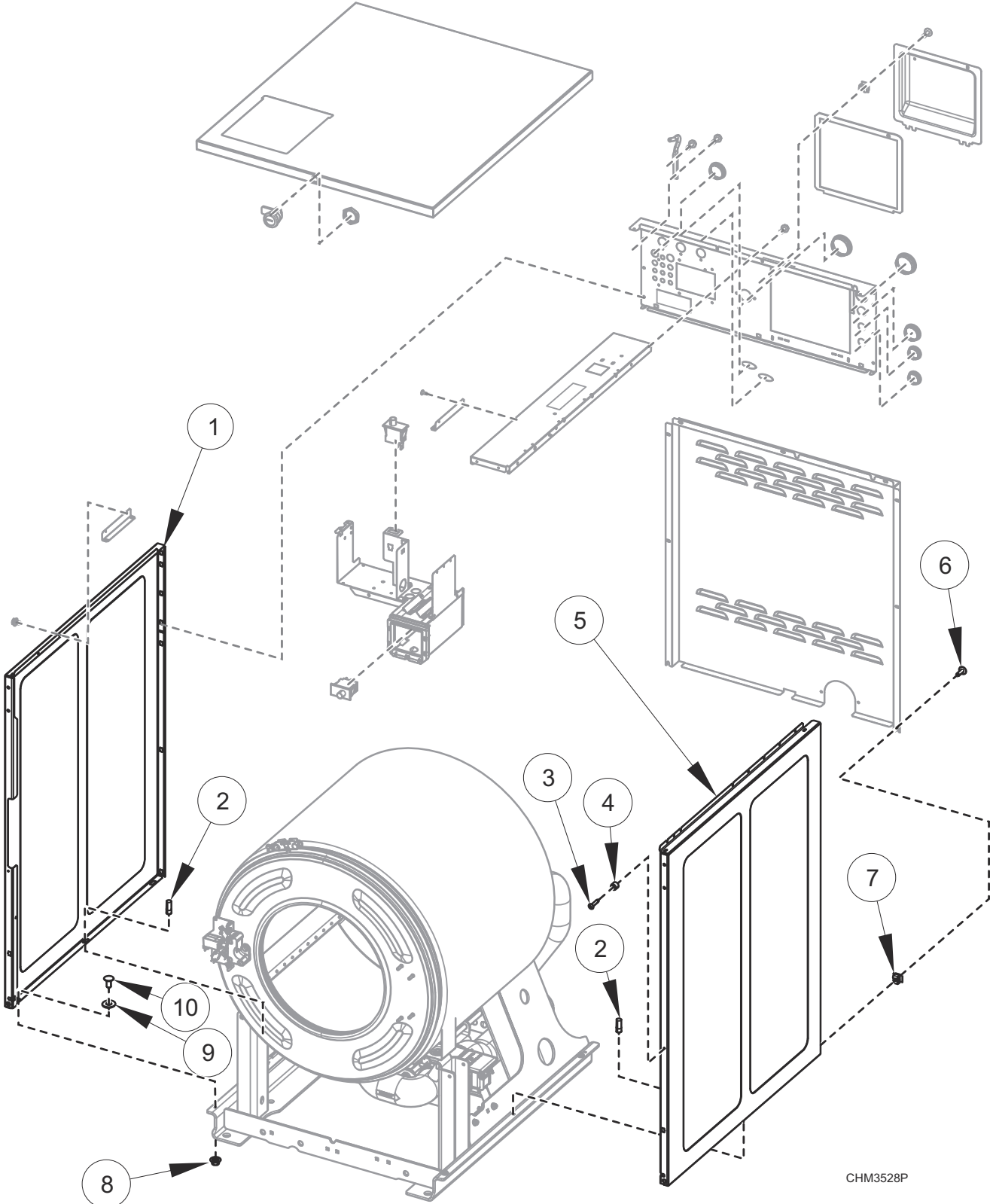


## Rear and Top Panels

REF	PART NO.	DESCRIPTION	COMMENTS
1	F8525401	Top Cover	20 pound models
	F8525501	Top Cover	30 pound models
	F8525601	Top Cover	40 pound models
	F8554301	Top Cover	60 pound models
2	F8513101	Valve Panel	20 pound models
	F8513201	Valve Panel	30 pound models
	F8513301	Valve Panel	40 pound models
	F8554401	Valve Panel	60 pound models
3	F8258601	Top Cover Hinge	
4	F8206901	Screw	
5	33562	Screw	
6	F8223901	Plug	
7	F8542601	Gasket	
8	70030501	Expansion Clip	
9	F8117601	Screw	
10	F8518301	Terminal Tray Cover	
	F8521301	Cable	
11	F8223801	Hole Plug	
12	M400985	Plug	
13	F8611301	Label	Hot water
14	F8611401	Label	Cold water
15	F8527001	Rear Panel	20 pound models
	F8527101	Rear Panel	30 pound models
	F8527201	Rear Panel	40 pound models
	F8554501	Rear Panel	60 pound models
16	F8527301	Cabinet Brace	20 pound models
	F8527401	Cabinet Brace	30 pound models
	F8527501	Cabinet Brace	40 pound models
	F8553201	Cabinet Brace	60 pound models
17	70413301	Pushbutton Switch	
18	F8525701	Dispenser Bracket	
19	F431215	Pop Rivet	
20	44088801	Nut	
21	51780	Screw	
22	44089303P	Panel Lock	
	70155603	Key	

# Side Panels (Drawing 1 of 2)

Models with 0, A or C in 17th Position



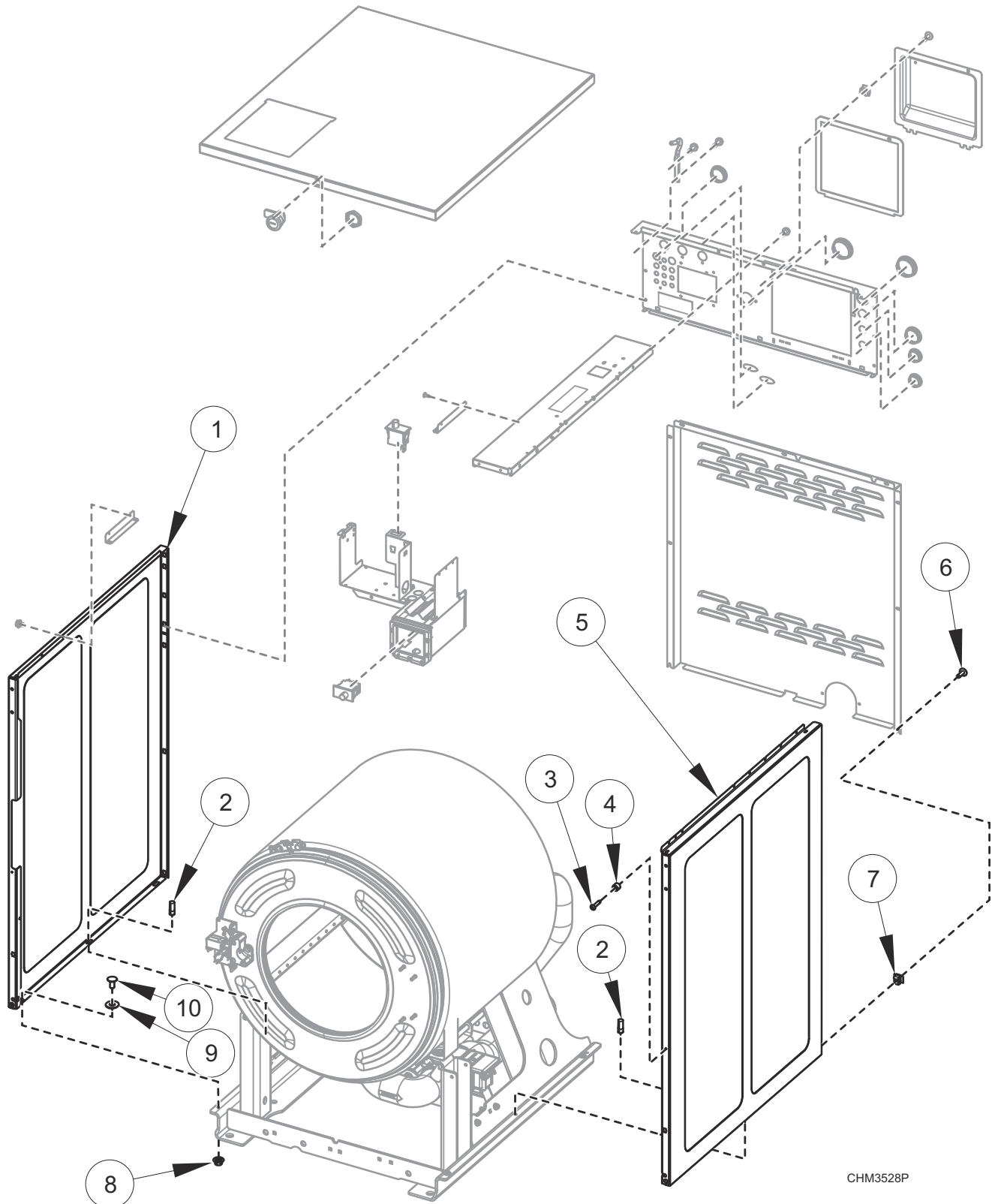
CHM3528P

## Side Panels (Drawing 1 of 2)

REF	PART NO.	DESCRIPTION	COMMENTS
1	F8524602	Side Panel	20 pound models; Left
	F8524604	Side Panel	20 pound models; Left; Stainless steel; all markets through December 7, 2021; T market models starting December 8, 2021; models with 0 in 5th position of serial number starting December 8, 2021
	F8525606	Side Panel	20 pound models; Left; Painted; All markets except T with 6 in 5th position of serial number starting December 8, 2021
	F8524702	Side Panel	30 pound models; Left
	F8524704	Side Panel	30 pound models; Left; Stainless steel; all markets through December 7, 2021; T market models starting December 8, 2021; models with 0 in 5th position of serial number starting December 8, 2021
	F8524706	Side Panel	30 pound models; Left; Painted; All markets except T with 6 in 5th position of serial number starting December 8, 2021
	F8524802	Side Panel	40 pound models; Left
	F8524804	Side Panel	40 pound models; Left; Stainless steel; all markets through December 7, 2021; T market models starting December 8, 2021; models with 0 in 5th position of serial number starting December 8, 2021
	F8524806	Side Panel	40 pound models; Left; Painted; All markets except T with 6 in 5th position of serial number starting December 8, 2021
	F8554204	Side Panel	60 pound models; Left
	F8554202	Side Panel	60 pound models; Left; Stainless steel; all markets through December 7, 2021; T market models starting December 8, 2021; models with 0 in 5th position of serial number starting December 8, 2021
	F8554206	Side Panel	60 pound models; Left; Painted; All markets except T with 6 in 5th position of serial number starting December 8, 2021
	2	F8502101	Pin
3	M412763	Rivet	
4	56079	Panel Locator	
5	F8524601	Side Panel	20 pound models; Right
	F8524603	Side Panel	20 pound models; Right; Stainless steel; all markets through December 7, 2021; T market models starting December 8, 2021; models with 0 in 5th position of serial number starting December 8, 2021
	F8525605	Side Panel	20 pound models; Right; Painted; All markets except T with 6 in 5th position of serial number starting December 8, 2021
	F8524701	Side Panel	30 pound models; Right
	F8524703	Side Panel	30 pound models; Right; Stainless steel; all markets through December 7, 2021; T market models starting December 8, 2021; models with 0 in 5th position of serial number starting December 8, 2021
	F8524705	Side Panel	30 pound models; Right; Painted; All markets except T with 6 in 5th position of serial number starting December 8, 2021
	F8524801	Side Panel	40 pound models; Right
	F8524803	Side Panel	40 pound models; Right; Stainless steel; all markets through December 7, 2021; T market models starting December 8, 2021; models with 0 in 5th position of serial number starting December 8, 2021
	F8524805	Side Panel	40 pound models; Right; Painted; All markets except T with 6 in 5th position of serial number starting December 8, 2021
	F8554203	Side Panel	60 pound models; Right
	F8554201	Side Panel	60 pound models; Right; Stainless steel; all markets through December 7, 2021; T market models starting December 8, 2021; models with 0 in 5th position of serial number starting December 8, 2021
	F8554205	Side Panel	60 pound models; Right; Painted; All markets except T with 6 in 5th position of serial number starting December 8, 2021
6	F8117601	Screw	
7	70030501	Expansion Clip	
8	44087201	Nut	
9	M405535	Washer	
10	F8402801	Bolt	

# Side Panels (Drawing 2 of 2)

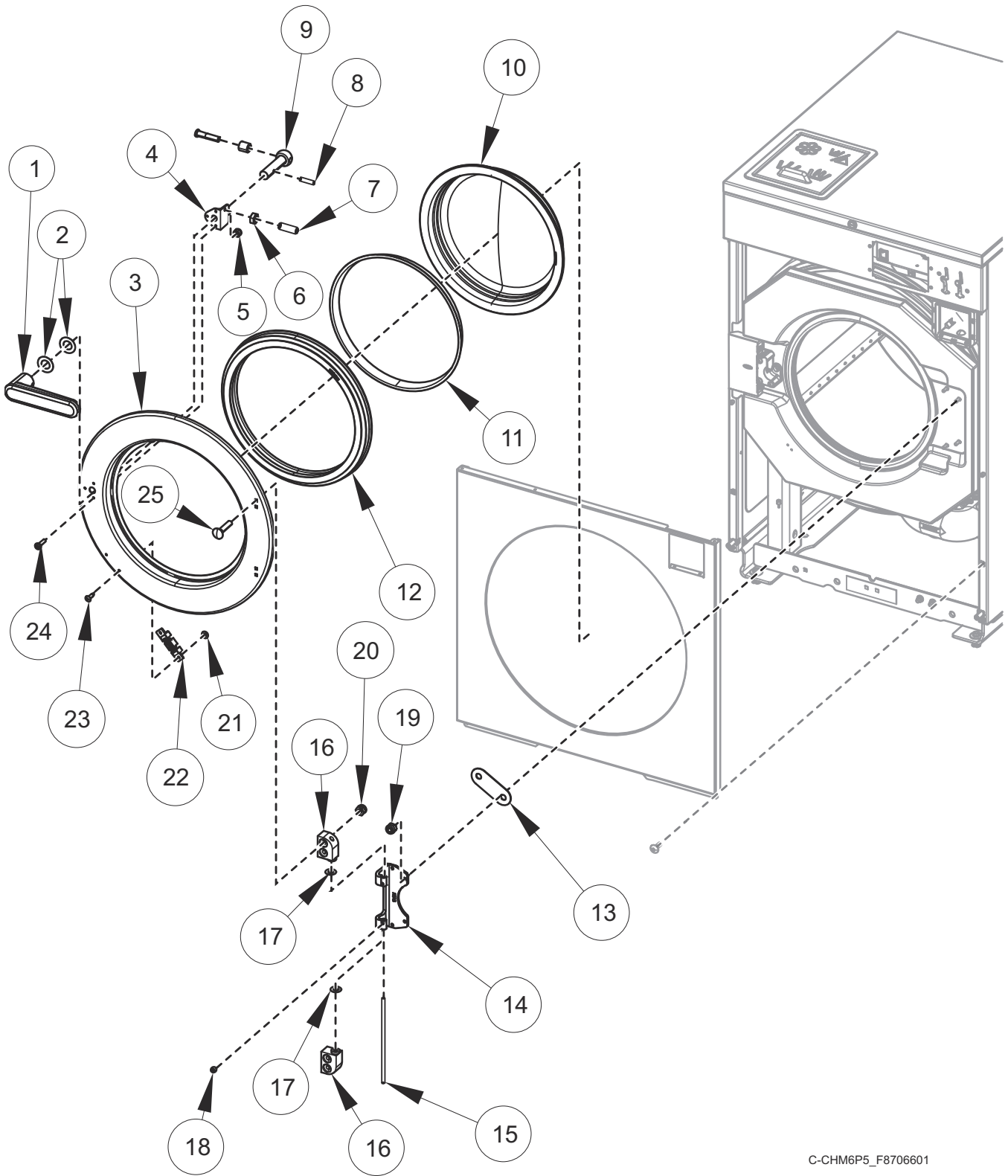
Models with D in 17th Position



## Side Panels (Drawing 2 of 2)

REF	PART NO.	DESCRIPTION	COMMENTS
<b>1</b>	F8524606LG	Side Panel	20 pound B models; Left
	F8524606DG	Side Panel	20 pound P models; Left
	F8524706LG	Side Panel	30 pound B models; Left
	F8524706DG	Side Panel	30 pound P models; Left
	F8524806LG	Side Panel	40 pound B models; Left
	F8524806DG	Side Panel	40 pound P models; Left
	F8554206LG	Side Panel	60 pound B models; Left
	F8554206DG	Side Panel	60 pound P models; Left
<b>2</b>	F8502101	Pin	
<b>3</b>	M412763	Rivet	
<b>4</b>	56079	Panel Locator	
<b>5</b>	F8524605LG	Side Panel	20 pound B models; Right
	F8524605DG	Side Panel	20 pound P models; Right
	F8524705LG	Side Panel	30 pound B models; Right
	F8524705DG	Side Panel	30 pound P models; Right
	F8524805LG	Side Panel	40 pound B models; Right
	F8524805DG	Side Panel	40 pound P models; Right
	F8554205LG	Side Panel	60 pound B models; Right
	F8554205DG	Side Panel	60 pound P models; Right
<b>6</b>	F8117601	Screw	
<b>7</b>	70030501	Expansion Clip	
<b>8</b>	44087201	Nut	
<b>9</b>	M405535	Washer	
<b>10</b>	F8402801	Bolt	

# Door - 20 Pound Models

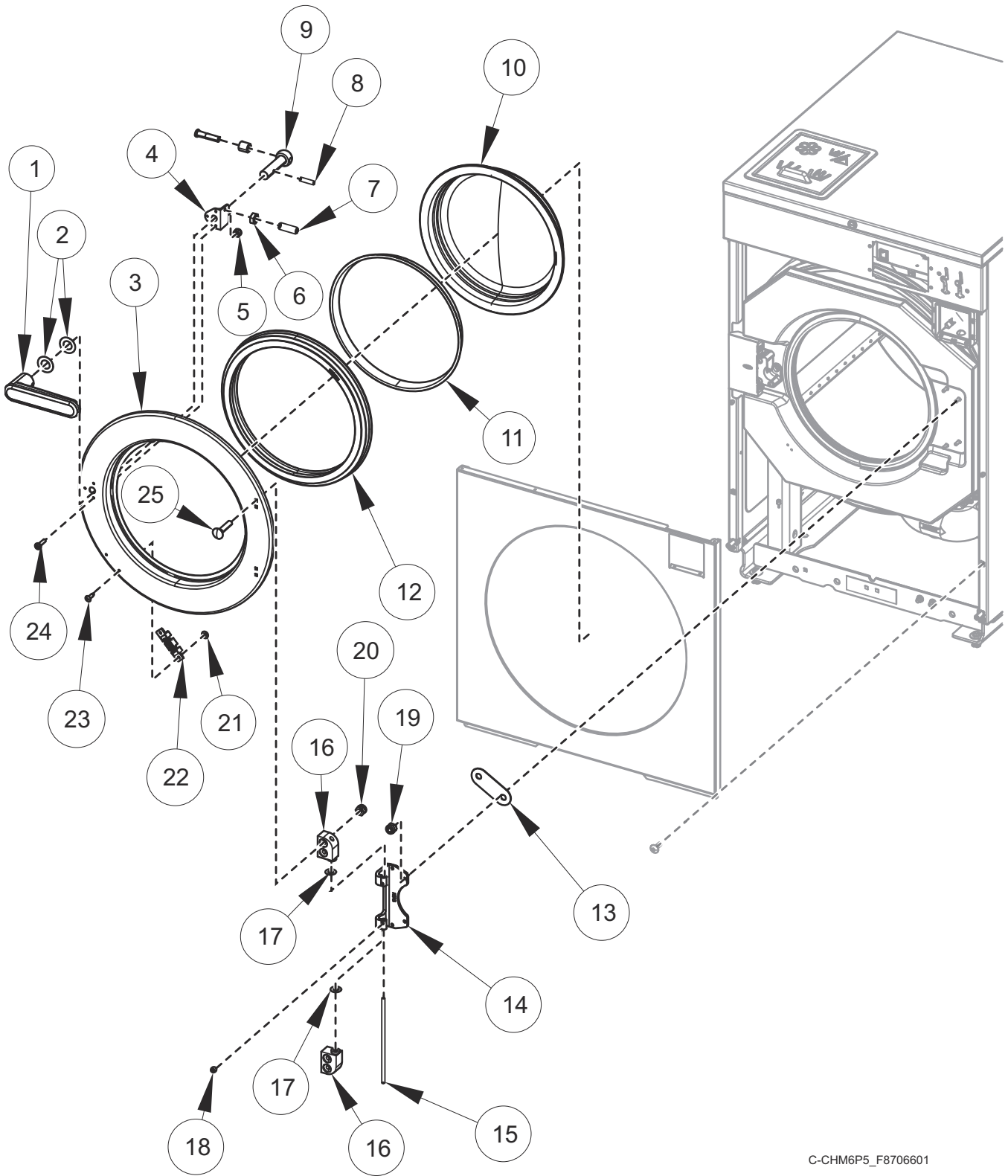


C-CHM6P5\_F8706601

## Door - 20 Pound Models

REF	PART NO.	DESCRIPTION	COMMENTS
	F8617201	Door Assembly	Models with 0, A or C in 17th position; Includes items 1-12, 14-18 and 20-25
	F8617202	Door Assembly	Models with 0, A or C in 17th position; Chrome; Includes items 1-12, 14-18 and 20-25
	F8752901	Door Assembly	P models with D in 17th position; Includes items 1-12, 14-18 and 20-25
	F8752902	Door Assembly	B models with D in 17th position; Includes items 1-12, 14-18 and 20-25
<b>1</b>	F8199401P	Door Handle	
<b>2</b>	F431916	Washer	
<b>3</b>	F8507502	Door	Models with 0, A or C in 17th position
	F8752501	Door	Models with 0, A or C in 17th position; Chrome
	F8751101	Door	Models with D in 17th position
<b>4</b>	F8567501	Door Handle Spacer Kit	Includes items 6 and 7
<b>5</b>	F430232	Nut	
<b>6</b>	F431041	Nut	
<b>7</b>	F430532	Screw	
<b>8</b>	F431222	Spring Pin	
<b>9</b>	F8221403	Door Latch Arm Assembly	Includes latch arm shaft, latch arm support and sleeve
<b>10</b>	F290205P	Door Glass Kit	
<b>11</b>	F8583201	Door Glass Trim	Models with 0, A or C in 17th position; Black
	F8583209	Door Glass Trim	B models with D in 17th position; Orange
<b>12</b>	F200000202	Door Gasket	
<b>13</b>	F200131000P	Door Hinge Shim Kit	
<b>14</b>	F190216P	Door Hinge	
<b>15</b>	F602813-2	Rod	
<b>16</b>	F150271	Door Mount	
<b>17</b>	F431929	Washer	Non-ferrous
	F431147	Washer	
<b>18</b>	F430536	Screw	
<b>19</b>	C001236	Nut	
<b>20</b>	F430215	Nut	
<b>21</b>	F431133	Washer	
<b>22</b>	F8390801	Magnet	
<b>23</b>	F431223	Pop Rivet	Models with 0, A or C in 17th position
	F8750901	Rivet	Models with D in 17th position
<b>24</b>	F8535501	Screw	Models with 0, A or C in 17th position
	F8535503	Screw	Models with D in 17th position
<b>25</b>	F430974	Bolt	Models with 0, A or C in 17th position
	F8508101	Bolt	Models with 0, A or C in 17th position; Chrome
	F8750801	Bolt	Models with D in 17th position

# Door - 30 Pound Models



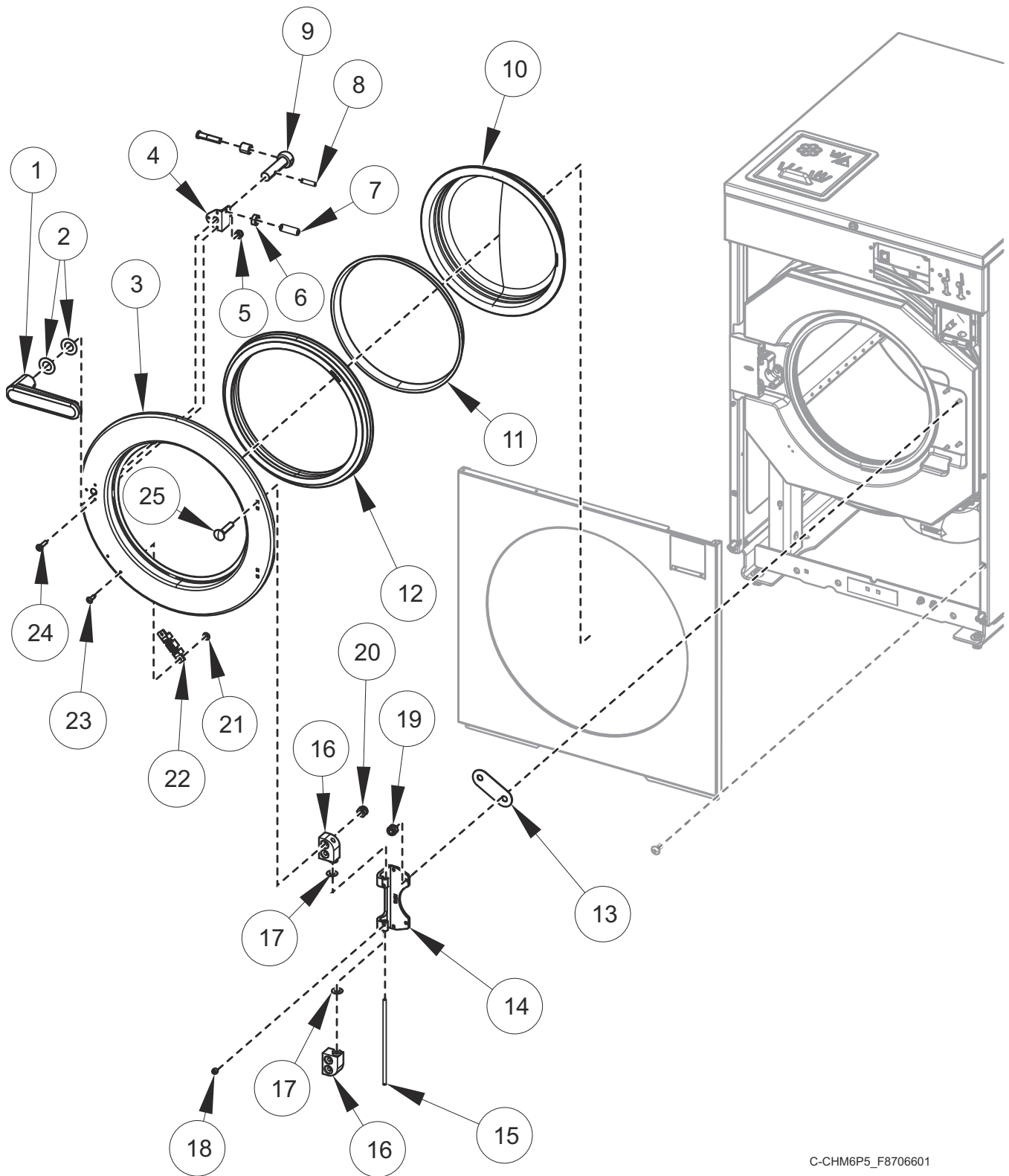
C-CHM6P5\_F8706601



## Door - 30 Pound Models

REF	PART NO.	DESCRIPTION	COMMENTS
	F8617301	Door Assembly	Models with 0, A or C in 17th position; Includes items 1-12, 14-18 and 20-25
	F8617302	Door Assembly	Models with 0, A or C in 17th position; Chrome; Includes items 1-12, 14-18 and 20-25
	F8753001	Door Assembly	P models with D in 17th position; Includes items 1-12, 14-18 and 20-25
	F8753002	Door Assembly	B models with D in 17th position; Includes items 1-12, 14-18 and 20-25
<b>1</b>	F8199401P	Door Handle	
<b>2</b>	F431916	Washer	
<b>3</b>	F8507602	Door	Models with 0, A or C in 17th position
	F8752601	Door	Models with 0, A or C in 17th position; Chrome
	F8751201	Door	Models with D in 17th position
<b>4</b>	F8567501	Door Handle Spacer Kit	
<b>5</b>	F430232	Nut	
<b>6</b>	F431041	Nut	
<b>7</b>	F430533	Screw	
<b>8</b>	F431222	Spring Pin	
<b>9</b>	F8221403	Door Latch Arm Assembly	Includes latch arm shaft, latch arm support and sleeve
<b>10</b>	F8485301P	Door Glass	
<b>11</b>	F8583202	Door Glass Trim	Models with 0, A or C in 17th position; Black
	F8583210	Door Glass Trim	B models with D in 17th position; Orange
<b>12</b>	F8111602	Door Gasket	
<b>13</b>	F200131000P	Door Hinge Shim Kit	
<b>14</b>	F190216P	Door Hinge	
<b>15</b>	F602813-2	Rod	
<b>16</b>	F150271	Door Mount	
<b>17</b>	F431929	Washer	Non-ferrous
	F431147	Washer	
<b>18</b>	F430536	Screw	
<b>19</b>	C001236	Nut	
<b>20</b>	F430215	Nut	
<b>21</b>	F431133	Washer	
<b>22</b>	F8390801	Magnet	
<b>23</b>	F431223	Pop Rivet	Models with 0, A or C in 17th position
	F8750901	Rivet	Models with D in 17th position
<b>24</b>	F8535501	Screw	Models with 0, A or C in 17th position
	F8535503	Screw	Models with D in 17th position
<b>25</b>	F430974	Bolt	Models with 0, A or C in 17th position
	F8508101	Bolt	Models with 0, A or C in 17th position; Chrome
	F8750801	Bolt	Models with D in 17th position

# Door - 40 and 60 Pound Models

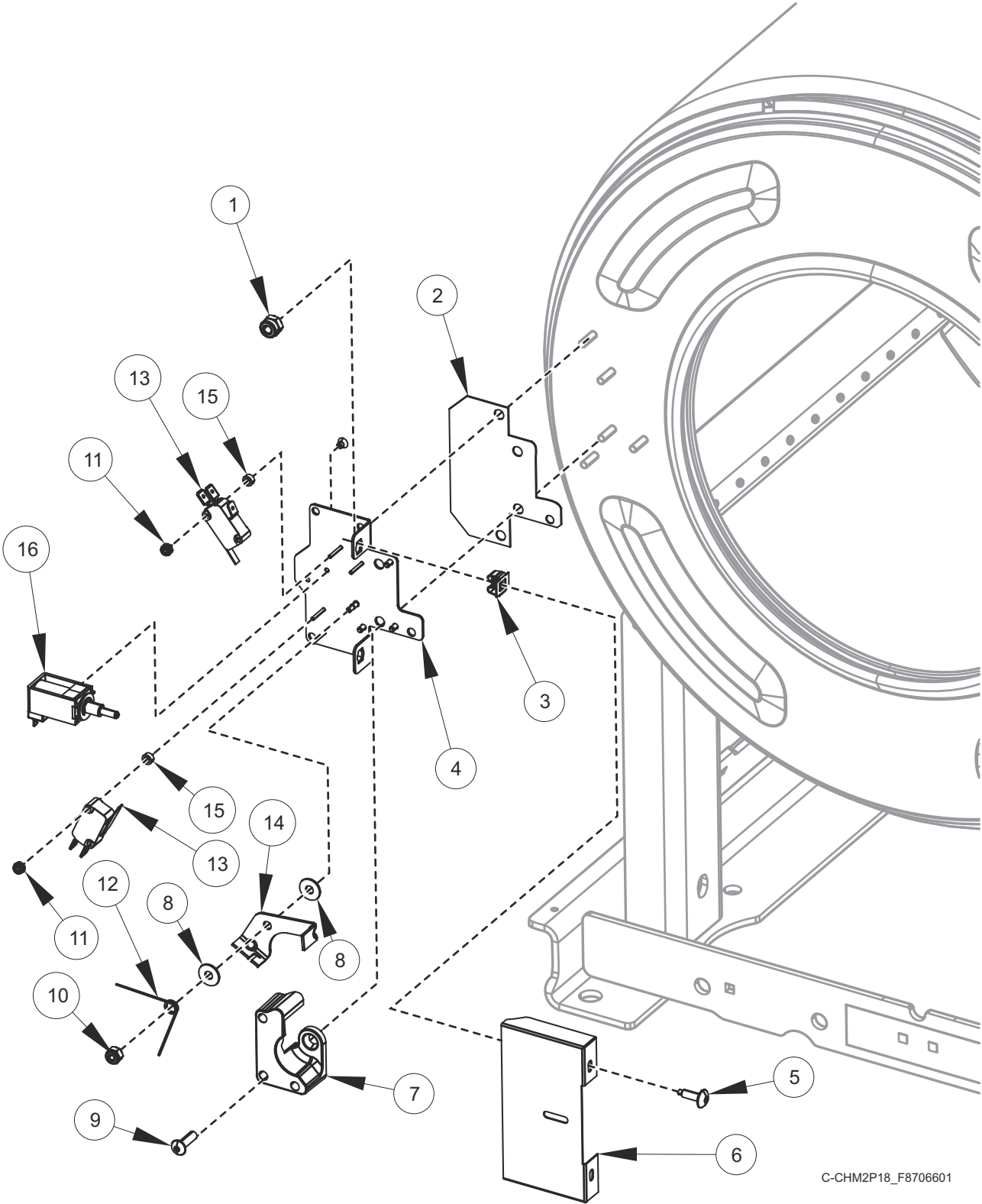


C-CHM6P5\_F8706601

## Door - 40 and 60 Pound Models

REF	PART NO.	DESCRIPTION	COMMENTS
	F8617401	Door Assembly	Models with 0, A or C in 17th position; Includes items 1-12, 14-18 and 20-25
	F8617402	Door Assembly	Models with 0, A or C in 17th position; Chrome; Includes items 1-12, 14-18 and 20-25
	F8753101	Door Assembly	P models with D in 17th position; Includes items 1-12, 14-18 and 20-25
	F8753102	Door Assembly	B models with D in 17th position; Includes items 1-12, 14-18 and 20-25
<b>1</b>	F8199401P	Door Handle	
<b>2</b>	F431916	Washer	
<b>3</b>	F8507702	Door	Models with 0, A or C in 17th position
	F8752701	Door	Models with 0, A or C in 17th position; Chrome
	F8751301	Door	Models with D in 17th position
<b>4</b>	F8567501	Door Handle Spacer Kit	
<b>5</b>	F430232	Nut	
<b>6</b>	F431041	Nut	
<b>7</b>	F430533	Screw	
<b>8</b>	F431222	Spring Pin	
<b>9</b>	F8221403	Door Latch Arm Assembly	Includes latch arm shaft, latch arm support and sleeve
<b>10</b>	F8485401P	Door Glass	
<b>11</b>	F8583203	Door Glass Trim	Models with 0, A or C in 17th position; Black
	F8583211	Door Glass Trim	B models with D in 17th position; Orange
<b>12</b>	F8111502	Door Gasket	
<b>13</b>	F200131000P	Door Hinge Shim Kit	
<b>14</b>	F190216P	Door Hinge	
<b>15</b>	F602813-3	Rod	
<b>16</b>	F150271	Door Mount	
<b>17</b>	F431929	Washer	Non-ferrous
	F431147	Washer	
<b>18</b>	F430536	Screw	
<b>19</b>	C001236	Nut	
<b>20</b>	F430215	Nut	
<b>21</b>	F431133	Washer	
<b>22</b>	F8390801	Magnet	
<b>23</b>	F431223	Pop Rivet	Models with 0, A or C in 17th position
	F8750901	Rivet	Models with D in 17th position
<b>24</b>	F8535501	Screw	Models with 0, A or C in 17th position
	F8535503	Screw	Models with D in 17th position
<b>25</b>	F430974	Bolt	Models with 0, A or C in 17th position
	F8508101	Bolt	Models with 0, A or C in 17th position; Chrome
	F8750801	Bolt	Models with D in 17th position

# Door Lock

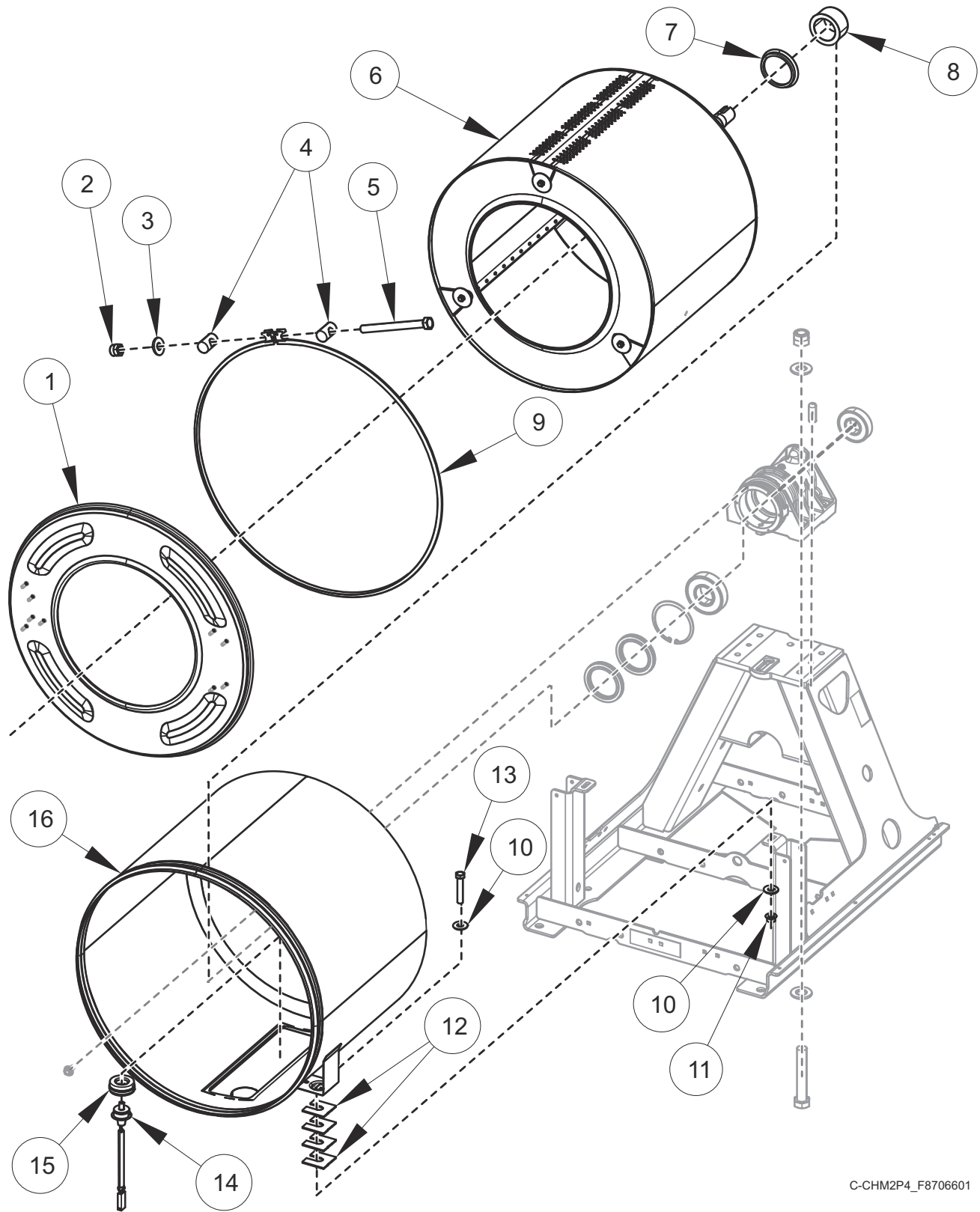


C-CHM2P18\_F8706601

# Door Lock

REF	PART NO.	DESCRIPTION	COMMENTS
	F8632401	Door Lock Assembly	Includes items 3, 4 and 10-16
	F8520201	Door Lock Harness	20 and 30 pound models
	F8520202	Door Lock Harness	40 and 60 pound models
	F8066804	Reed Switch Assembly	
<b>1</b>	F431024	Nut	
<b>2</b>	F8344401	Door Lock Plate Shim	
<b>3</b>	70030501	Expansion Clip	
<b>4</b>	F8223202	Door Lock Plate Assembly	
<b>5</b>	F8117601	Screw	
<b>6</b>	F8245001	Door Lock Cover	
<b>7</b>	F8344501	Door Lock Catch	
<b>8</b>	F8193101	Washer	
<b>9</b>	F8270701	Bolt	
<b>10</b>	F430232	Nut	
<b>11</b>	F430225	Nut	
<b>12</b>	F8070301	Torsion/Door Lock Spring	
<b>13</b>	F200203200	Door Lock Microswitch	
<b>14</b>	F8223401	Door Lock Switch Lever	
<b>15</b>	F431901	Spacer	
<b>16</b>	F977P3	Door Lock Solenoid Replacement Kit	

# Shell Front, Basket, Shell and Frame Template

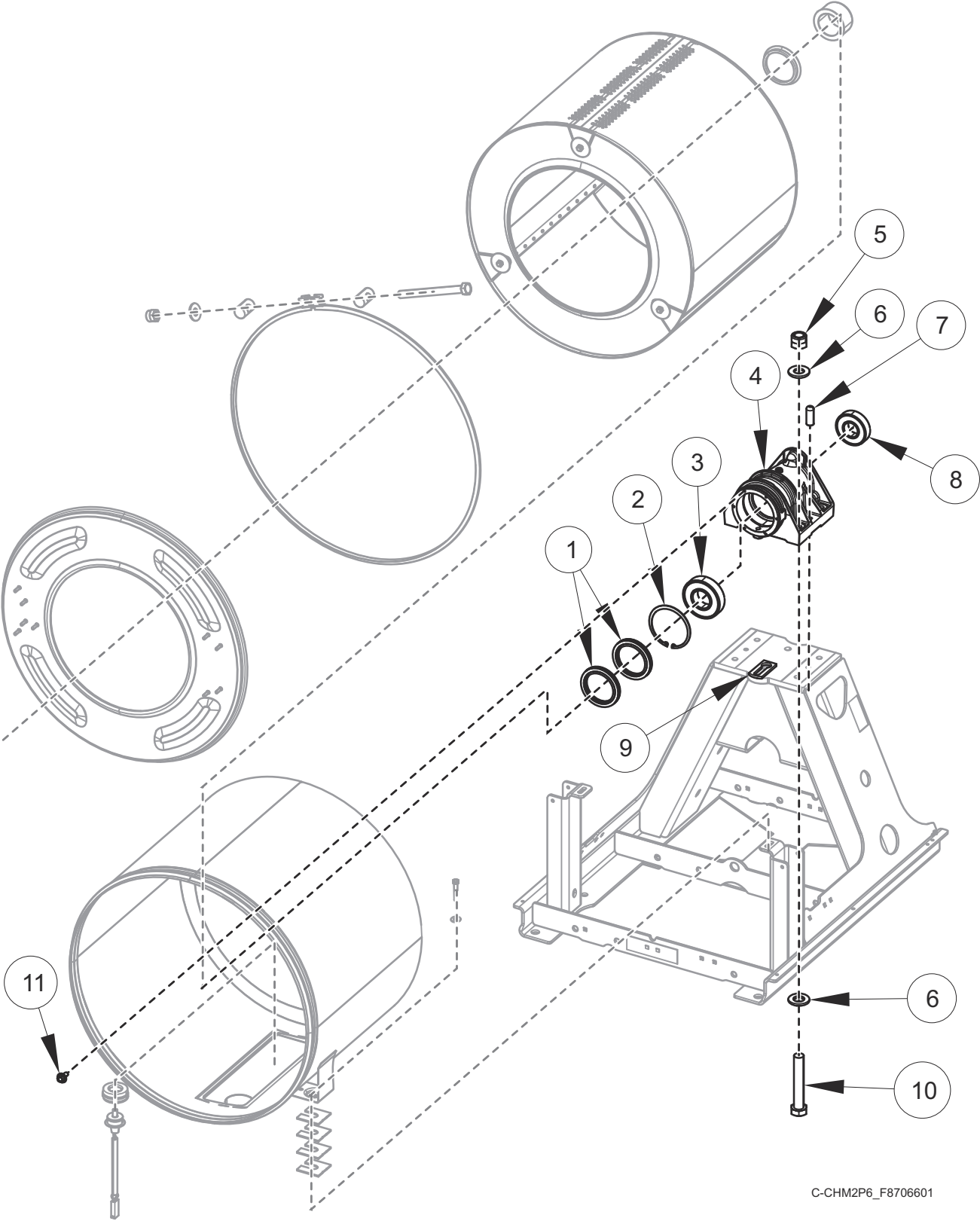


C-CHM2P4\_F8706601

## Shell Front, Basket, Shell and Frame Template

REF	PART NO.	DESCRIPTION	COMMENTS
	F8598301	Harness	Thermistor; 20 and 30 pound models
	F8598302	Harness	Thermistor; 40 and 60 pound models
<b>1</b>	F8222301	Shell Front	20 pound models
	F8222401	Shell Front	30 pound models
	F8222501	Shell Front	40 pound models
	F8222601	Shell Front	60 pound models
<b>2</b>	F430218	Nut	
<b>3</b>	M400080	Washer	
<b>4</b>	F8302701	Pin	
<b>5</b>	F8673701	Screw	
<b>6</b>	F8391304	Basket	20 pound models; Viton
	F8391302	Basket	20 pound models; Rain
	F8391504	Basket	30 pound models; Viton
	F8391502	Basket	30 pound models; Rain
	F8391704	Basket	40 pound models; Viton
	F8391702	Basket	40 pound models; Rain
	F8502805	Basket	60 pound models; Viton
	F8502802	Basket	60 pound models; Rain
<b>7</b>	F8337002	Excluder Seal	
<b>8</b>	F8343906P	Shaft Seal Sleeve Kit	
<b>9</b>	F8537801	Shell Band Kit	20 pound models; Includes items 2-5
	F8537802	Shell Band Kit	30 pound models; Includes items 2-5
	F8537803	Shell Band Kit	40 pound models; Includes items 2-5
	F8537804	Shell Band Kit	60 pound models; Includes items 2-5
<b>10</b>	M400081	Washer	
<b>11</b>	44087301	Nut	
<b>12</b>	F8402701	Washer	
<b>13</b>	F8621601	Screw	
<b>14</b>	F8538801	Thermistor	
<b>15</b>	2251000400	Temperature Probe Grommet	
<b>16</b>	F8512102	Shell	20 pound models; Electric and dual heat
	F8514002	Shell	30 pound models; Electric and dual heat
	F8512202	Shell	40 pound models; Electric and dual heat
	F8543702	Shell	60 pound models; Electric and dual heat
	F8512202	Shell	40 pound models; Steam Heat
	F8543702	Shell	60 pound models; Steam Heat
	F8512101	Shell	20 pound models; Standard
	F8514001	Shell	30 pound models; Standard
	F8512201	Shell	40 pound models; Standard
	F8543701	Shell	60 pound models; Standard

# Bearing Housing



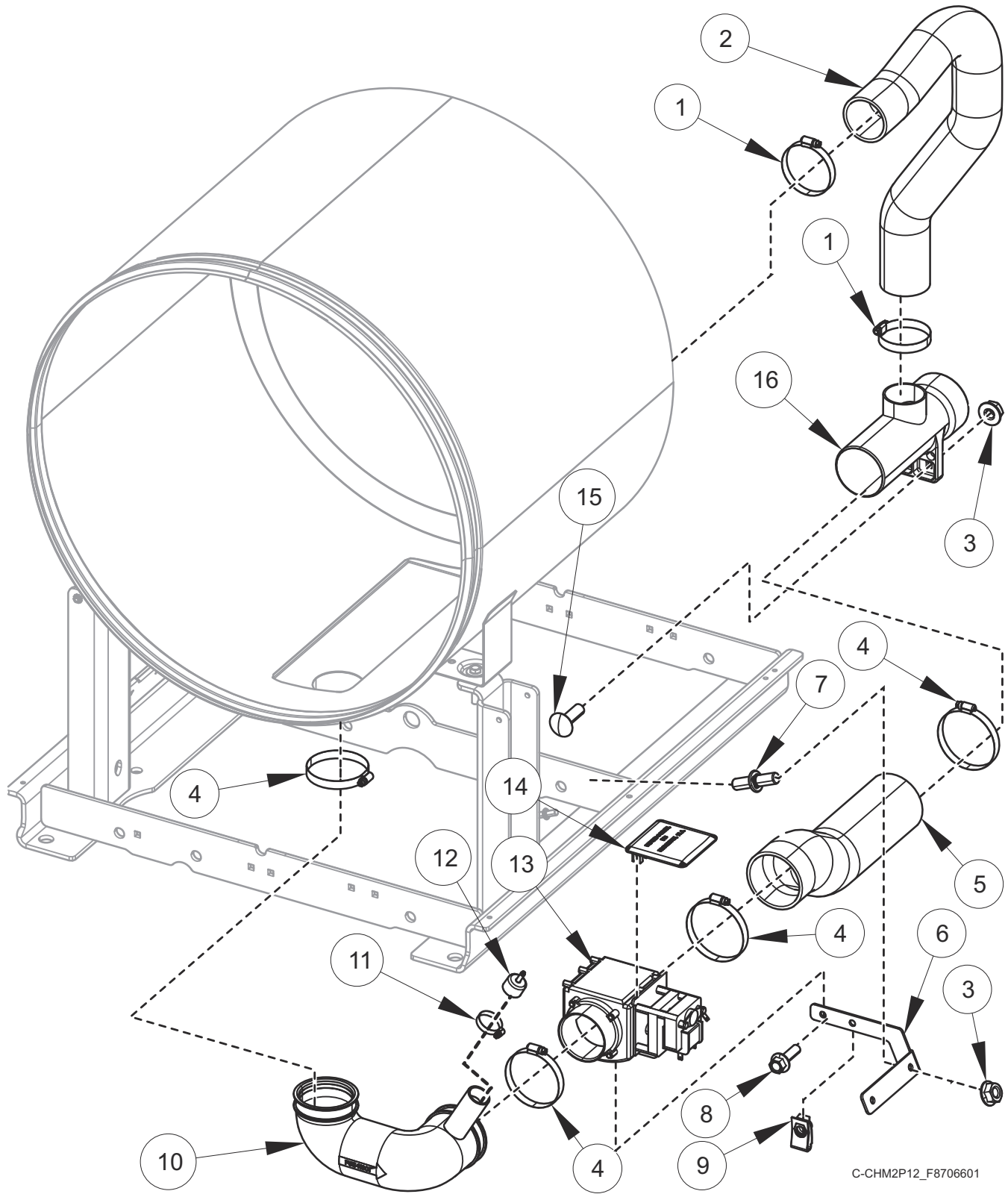
C-CHM2P6\_F8706601



# Bearing Housing

REF	PART NO.	DESCRIPTION	COMMENTS
	F8271601P	Bearing Housing Assembly	20 pound models; Includes items 1-4 and 8; Standard
	F8271602	Bearing Housing Assembly	20 pound models; Includes items 1-4 and 8; Viton
	F8271701P	Bearing Housing Assembly	30 pound models; Includes items 1-4 and 8; Standard
	F8271702	Bearing Housing Assembly	30 pound models; Includes items 1-4 and 8; Viton
	F8271801P	Bearing Housing Assembly	40 pound models; Includes items 1-4 and 8; Standard
	F8271802	Bearing Housing Assembly	40 pound models; Includes items 1-4 and 8; Viton
	F8271901P	Bearing Housing Assembly	60 pound models; Includes items 1-4 and 8; Standard
	F8271902	Bearing Housing Assembly	60 pound models; Includes items 1-4 and 8; Viton
<b>1</b>	F8203801	Triple Lip Seal	20 pound models; Standard
	F8203813	Triple Lip Seal	20 pound models; Viton
	F8203802	Triple Lip Seal	30 pound models; Standard
	F8203814	Triple Lip Seal	30 pound models; Viton
	F8203803	Triple Lip Seal	40 pound models; Standard
	F8203815	Triple Lip Seal	40 pound models; Viton
	F8203806	Triple Lip Seal	60 pound models; Standard
	F8203816	Radial Lip Seal	60 pound models; Viton
<b>2</b>	F8344901	Retaining Ring	20 pound models
	F8345001	Retaining Ring	30 pound models
	F8337801	Retaining Ring	40 pound models
	F8337901	Retaining Ring	60 pound models
<b>3</b>	F100137P	Bearing	20 and 40 pound models
	F100123P	Bearing	30 pound models
	F100135	Bearing	60 pound models
<b>4</b>	F8247902	Bearing Housing	20 pound models
	F8246802	Bearing Housing	30 pound models
	F8249902	Bearing Housing	40 pound models
	F8250902	Bearing Housing	60 pound models
<b>5</b>	F8387701	Nut	
<b>6</b>	F430339	Washer	
<b>7</b>	F8388201	Dowel Pin	
<b>8</b>	F100136P	Bearing	20 pound models
	F100108	Bearing	30 pound models
	F100134	Bearing	40 and 60 pound models
<b>9</b>	F8350302	Seal Scupper Pad	
<b>10</b>	F8368801	Screw	
<b>11</b>	F8442702	Screw	

# Drain Plumbing

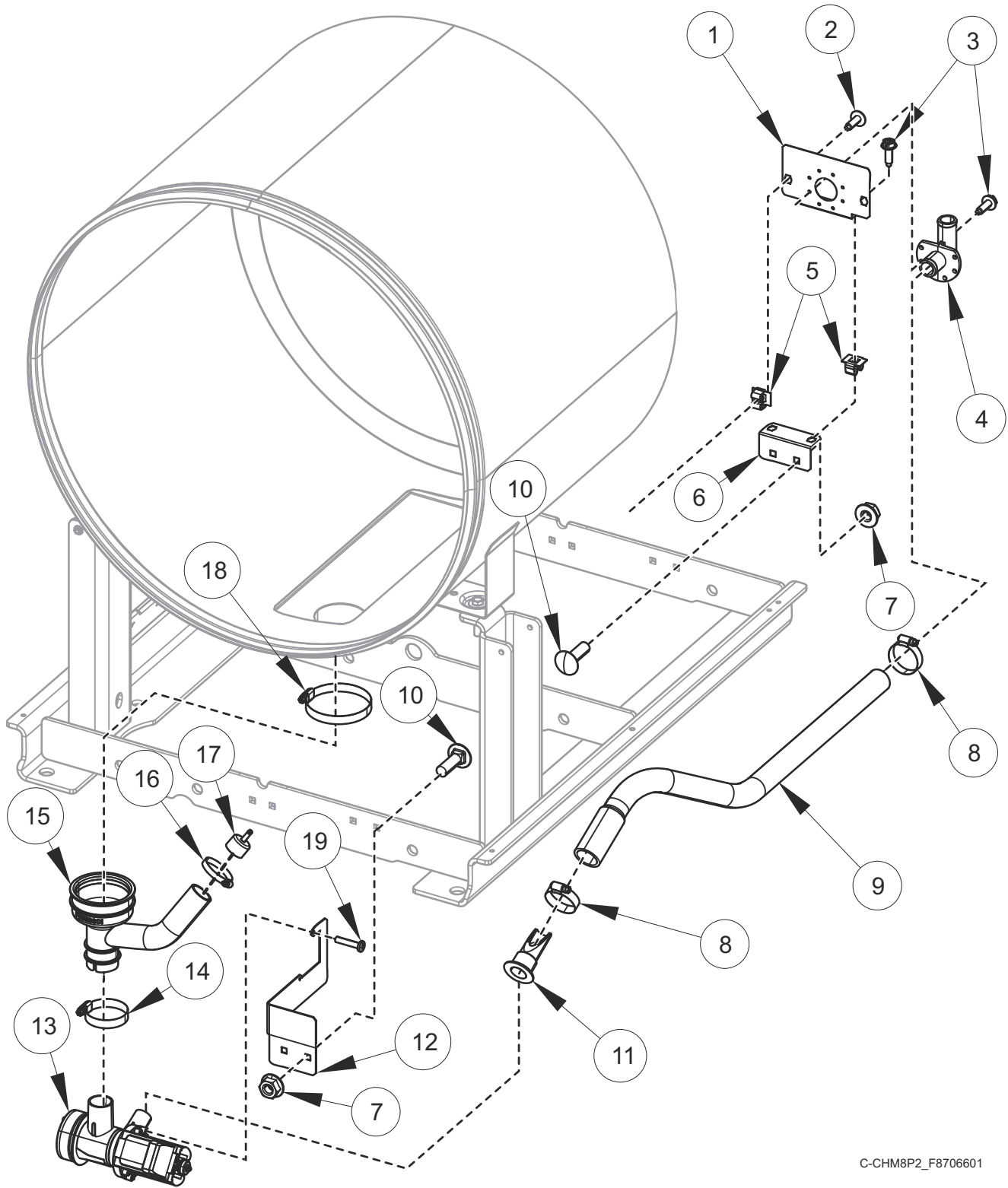


C-CHM2P12\_F8706601

## Drain Plumbing

REF	PART NO.	DESCRIPTION	COMMENTS
	F8520001	Drain Valve Harness	20 and 30 pound models
	F8520002	Drain Valve Harness	40 and 60 pound models
	F200165100	Drain Hose	
<b>1</b>	F200213	Hose Clamp	
<b>2</b>	F8522401	Overflow Hose	20 pound models
	F8521201	Overflow Hose	30 pound models
	F8522501	Overflow Hose	40 and 60 pound models
<b>3</b>	44087201	Nut	
<b>4</b>	F200201	Hose Clamp	
<b>5</b>	F8587301	Rear Drain Hose	20 pound models
	F8543001	Rear Drain Hose	30 pound models
	F8543201	Rear Drain Hose	40 pound models
	F8543501	Rear Drain Hose	60 pound models
<b>6</b>	F8587701	Drain Valve Bracket	20 pound models
	F8543101	Drain Valve Bracket	30 pound models
	F8543301	Drain Valve Bracket	40 pound models
	F8543401	Drain Valve Bracket	60 pound models
<b>7</b>	70334702	Stud	
<b>8</b>	202175	Screw	
<b>9</b>	70030401	Nut	
<b>10</b>	F8542002	Drain Hose	20 pound models
	F8541901	Drain Hose	30, 40 and 60 pound models
	F8542001	Drain Hose	40 and 60 pound models; Steam and electric heat
<b>11</b>	36802	Hose Clamp	
<b>12</b>	F8579301	Pressure Cap	
<b>13</b>	F200166302	Drain Valve Kit	3 inch; 120 Volt; Left; NO; Includes item 14
	F8406308	Drain Valve	3 inch; 120 Volt; Right; NO
	F200166402	Drain Valve Kit	3 inch; 230 Volt; Left; NO; Includes item 14
	F8577201	Drain Valve Kit	3 inch; 230 Volt; Right; NO; Includes item 14
<b>14</b>	F200133600	Drain Valve Cover	
<b>15</b>	F8402801	Bolt	
<b>16</b>	F8752101	Drain Tee	

# Pump Drain Plumbing - 20, 30 and 40 Pound Models

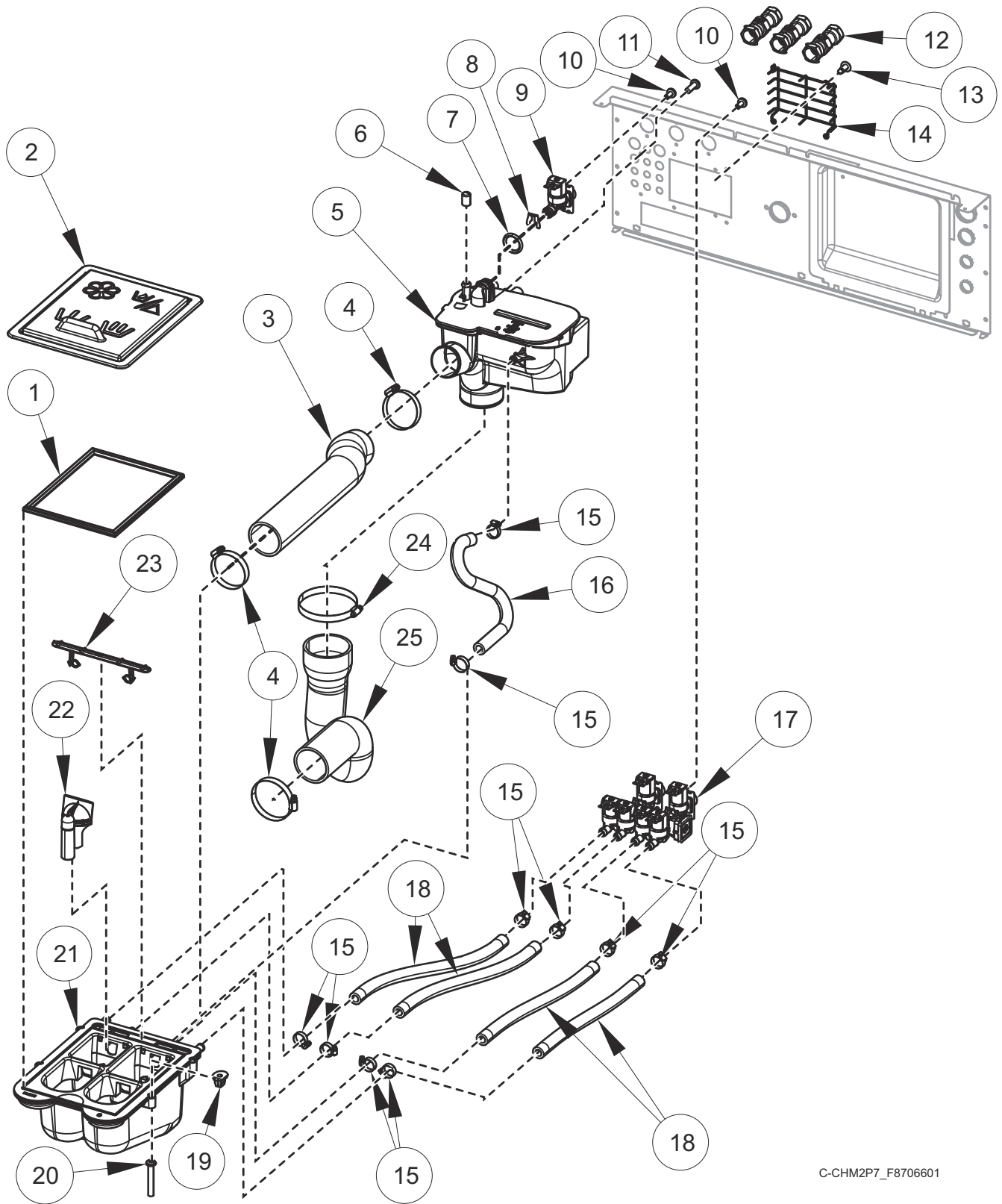


C-CHM8P2\_F8706601

## Pump Drain Plumbing - 20, 30 and 40 Pound Models

REF	PART NO.	DESCRIPTION	COMMENTS
	27154	Drain Hose	Hose to standpipe
	F150352	Overflow Plug	20 pound models
	F8520001	Drain Valve Harness	20 and 30 pound models
	F8520002	Drain Valve Harness	40 pound models
<b>1</b>	F8571301	Bracket	Upper; Elbow mount
<b>2</b>	F8117601	Screw	
<b>3</b>	F8206901	Screw	
<b>4</b>	35766	Drain Hose Elbow	
<b>5</b>	70030501	Expansion Clip	
<b>6</b>	F8571401	Bracket	Lower; Elbow mount
<b>7</b>	44087201	Nut	
<b>8</b>	F200204	Hose Clamp	
<b>9</b>	F8537001	Pump Drain Rear Hose	20 pound models
	F8557001	Pump Drain Rear Hose	30 pound models
	F8557201	Pump Drain Rear Hose	40 pound models
<b>10</b>	F8402801	Bolt	
<b>11</b>	800310	Backflow Preventer	
<b>12</b>	F8536901	Pump Drain Bracket	20 pound models
	F8557101	Pump Drain Bracket	30 pound models
	F8557301	Pump Drain Bracket	40 pound models
<b>13</b>	805723	Pump Drain and Bracket Assembly	120 Volt/60 Hertz; Green
	805613	Pump Drain and Bracket Assembly	208-240 Volt/60 Hertz; Red
	804038	Pump Drain and Bracket Assembly	220-240 Volt/50 Hertz; Blue
<b>14</b>	F200215	Hose Clamp	
<b>15</b>	F8556601	Pump Drain Hose	
<b>16</b>	36802	Hose Clamp	
<b>17</b>	F8579301	Pressure Cap	
<b>18</b>	F200219	Hose Clamp	
<b>19</b>	F8658501	Screw	

# Fill Plumbing - 20 Pound Models

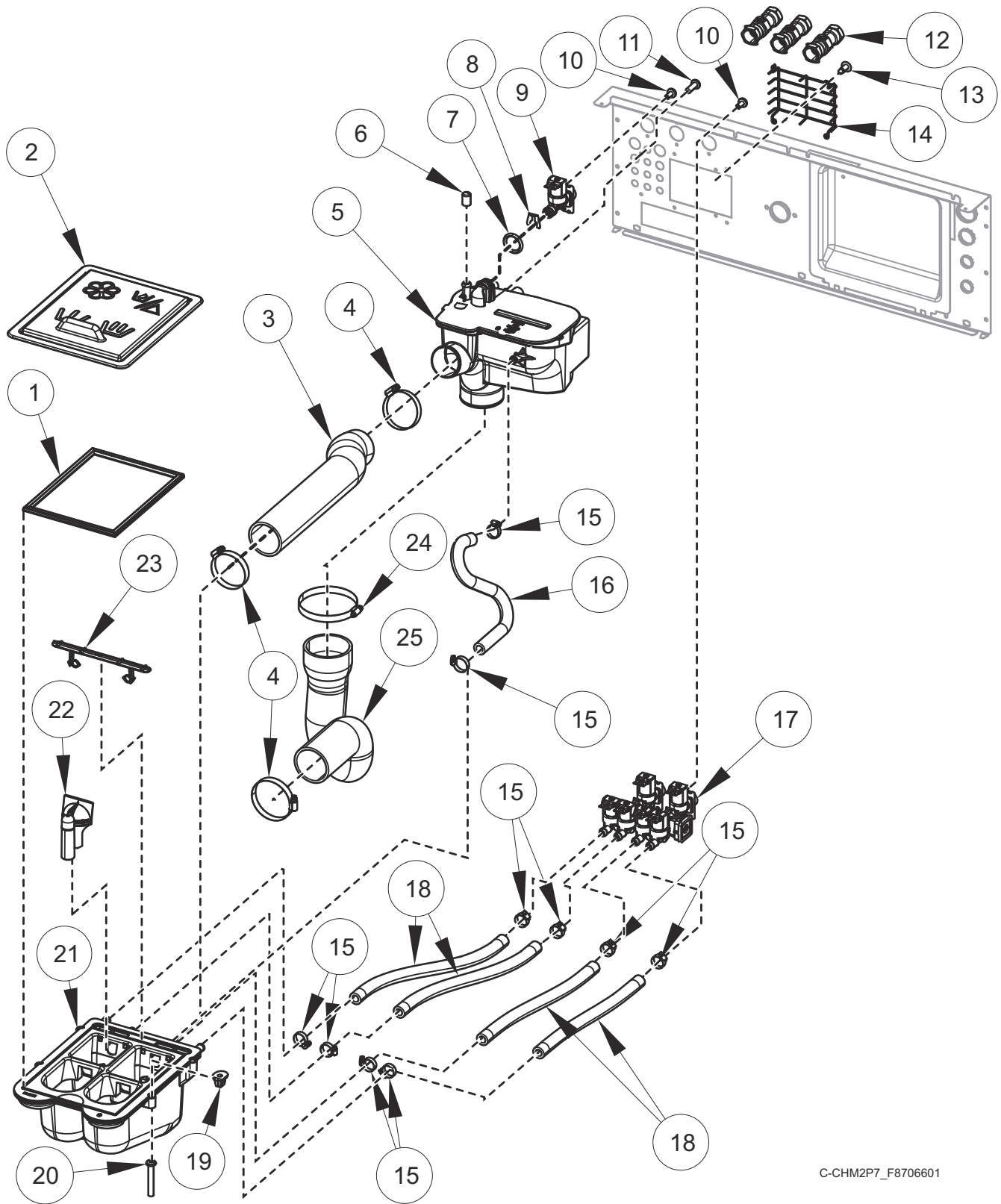


C-CHM2P7\_F8706601

## Fill Plumbing - 20 Pound Models

REF	PART NO.	DESCRIPTION	COMMENTS
	F8047403	Dispenser	Includes Items 21-23
	F8520101	Fill Valve Harness	
	F8665601	Water Hose Kit	Standard thread; Red (hot); Includes 20290 Washer and 803615 Washer Filter
	F8665603	Water Hose Kit	Standard thread; Blue (cold); Includes 20290 Washer and 803615 Washer Filter
	F8665602	Water Hose Kit	Metric thread; Red (hot); Includes 20290 Washer and 803615 Washer Filter
	F8665604	Water Hose Kit	Metric thread; Blue (cold); Includes 20290 Washer and 803615 Washer Filter
	F8671201	Fill Hose Kit	WRAS; Includes item 12 and F8665602 Water Hose Kit
	F8671202	Fill Hose Kit	WRAS; Includes item 12 and F8665604 Water Hose Kit
	F8671101	Fill Hose Kit	Australian watermark; Includes F8665602 Water Hose Kit and B12543901 Check Valve
	F8671102	Fill Hose Kit	Australian watermark; Includes F8665604 Water Hose Kit and B12543901 Check Valve
<b>1</b>	B12568601	Dispenser Gasket	
<b>2</b>	F8563204	Dispenser Cover	Black; Icons and text
	F8563203	Dispenser Cover	Gray; Icons and text
	F8563202	Dispenser Cover	Black; Icons
	F8563201	Dispenser Cover	Gray; Icons
<b>3</b>	F8529401	Supply Vacuum Hose	
<b>4</b>	F200213	Hose Clamp	
<b>5</b>	F8517503	Vacuum Breaker Assembly	With inlet and fill
	F8517501	Vacuum Breaker Assembly	With fill
	F8517504	Vacuum Breaker Assembly	
<b>6</b>	F8197701	Cap	WRAS
<b>7</b>	F8569101	O-Ring	
<b>8</b>	F8566801	Clip	
<b>9</b>	F8565201	Valve	Standard
	F8565202	Valve	Metric
<b>10</b>	F8230301	Screw	
<b>11</b>	800548	Screw	
<b>12</b>	F8301201	Double Check Valve	WRAS
<b>13</b>	70058501	Pop Rivet	
<b>14</b>	F8589601	Vacuum Breaker Guard	
<b>15</b>	36801	Hose Clamp	
<b>16</b>	F8616401	Rear Vent Hose	
<b>17</b>	F8529701	Manifold Valve	Standard
	F8529702P	Manifold Valve	Metric
<b>18</b>	F8232007	Hose	
<b>19</b>	F0431807-00	Nut	
<b>20</b>	F8535601	Screw	
<b>21</b>	F8437902	Dispenser Weldment	
<b>22</b>	F8047901	Siphon Cover	
<b>23</b>	F8047801	Access Cover	
<b>24</b>	F200201	Hose Clamp	
<b>25</b>	F8529601	P-Trap Hose	

# Fill Plumbing - 30 Pound Models



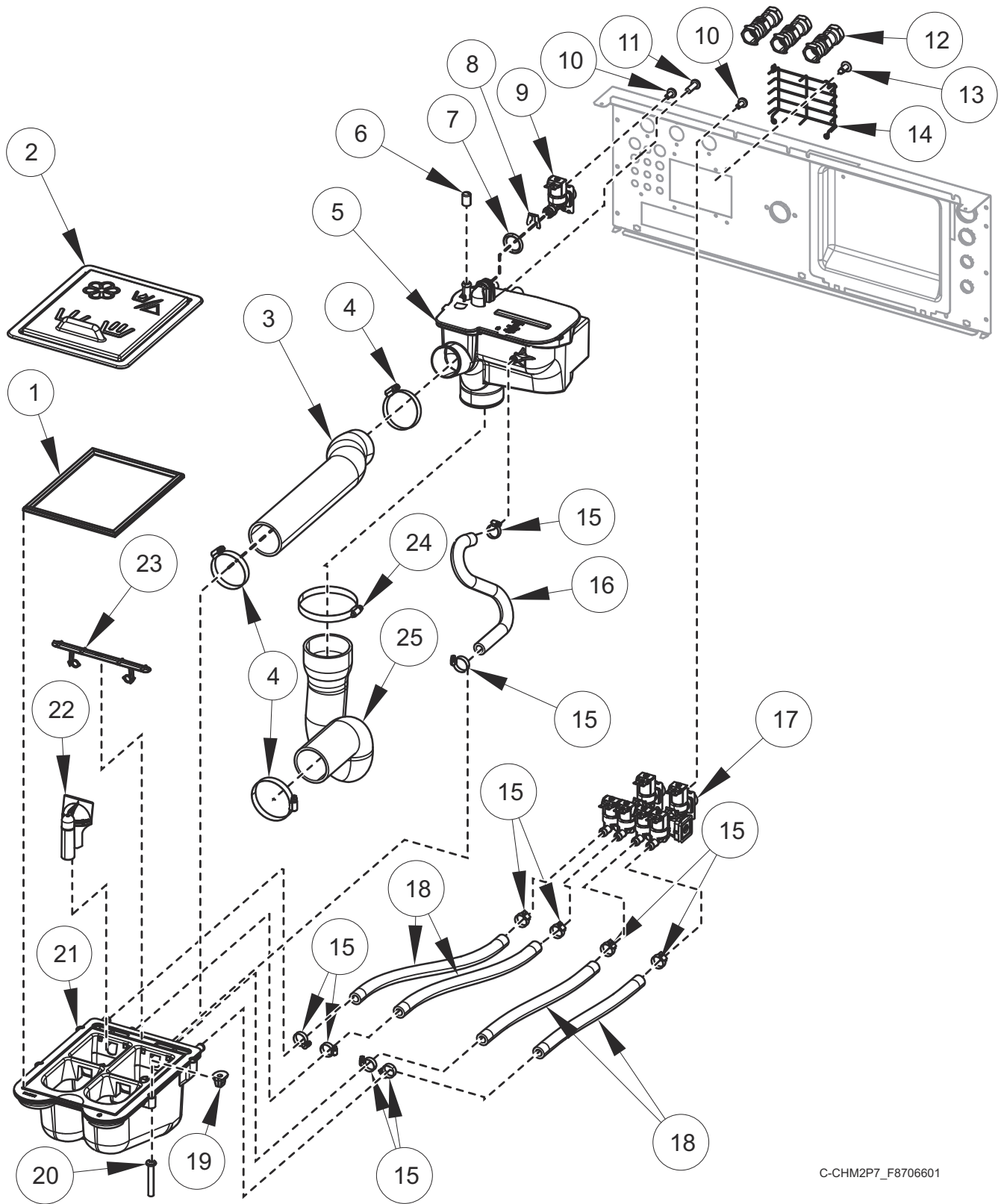
C-CHM2P7\_F8706601



## Fill Plumbing - 30 Pound Models

REF	PART NO.	DESCRIPTION	COMMENTS
	F8047403	Dispenser	Includes Items 21-23
	F8520101	Fill Valve Harness	
	F8665601	Water Hose Kit	Standard thread; Red (hot); Includes 20290 Washer and 803615 Washer Filter
	F8665603	Water Hose Kit	Standard thread; Blue (cold); Includes 20290 Washer and 803615 Washer Filter
	F8665602	Water Hose Kit	Metric thread; Red (hot); Includes 20290 Washer and 803615 Washer Filter
	F8665604	Water Hose Kit	Metric thread; Blue (cold); Includes 20290 Washer and 803615 Washer Filter
	F8671201	Fill Hose Kit	WRAS; Includes item 12 and F8665602 Water Hose Kit
	F8671202	Fill Hose Kit	WRAS; Includes item 12 and F8665604 Water Hose Kit
	F8671101	Fill Hose Kit	Australian watermark; Includes F8665602 Water Hose Kit and B12543901 Check Valve
	F8671102	Fill Hose Kit	Australian watermark; Includes F8665604 Water Hose Kit and B12543901 Check Valve
<b>1</b>	B12568601	Dispenser Gasket	
<b>2</b>	F8563204	Dispenser Cover	Black; Icons and text
	F8563203	Dispenser Cover	Gray; Icons and text
	F8563202	Dispenser Cover	Black; Icons
	F8563201	Dispenser Cover	Gray; Icons
<b>3</b>	F8529402	Supply Vacuum Hose	
<b>4</b>	F200213	Hose Clamp	
<b>5</b>	F8517503	Vacuum Breaker Assembly	With inlet and fill
	F8517501	Vacuum Breaker Assembly	With fill
	F8517504	Vacuum Breaker Assembly	
<b>6</b>	F8197701	Cap	WRAS
<b>7</b>	F8569101	O-Ring	
<b>8</b>	F8566801	Clip	
<b>9</b>	F8565201	Valve	Standard
	F8565202	Valve	Metric
<b>10</b>	F8230301	Screw	
<b>11</b>	800548	Screw	
<b>12</b>	F8301201	Double Check Valve	WRAS
<b>13</b>	70058501	Pop Rivet	
<b>14</b>	F8589601	Vacuum Breaker Guard	
<b>15</b>	36801	Hose Clamp	
<b>16</b>	F8616402	Rear Vent Hose	
<b>17</b>	F8529701	Manifold Valve	Standard
	F8529702P	Manifold Valve	Metric
<b>18</b>	F8232011	Hose	
<b>19</b>	F0431807-00	Nut	
<b>20</b>	F8535601	Screw	
<b>21</b>	F8437902	Dispenser Weldment	
<b>22</b>	F8047901	Siphon Cover	
<b>23</b>	F8047801	Access Cover	
<b>24</b>	F200201	Hose Clamp	
<b>25</b>	F8529602	P-Trap Hose	

# Fill Plumbing - 40 Pound Models

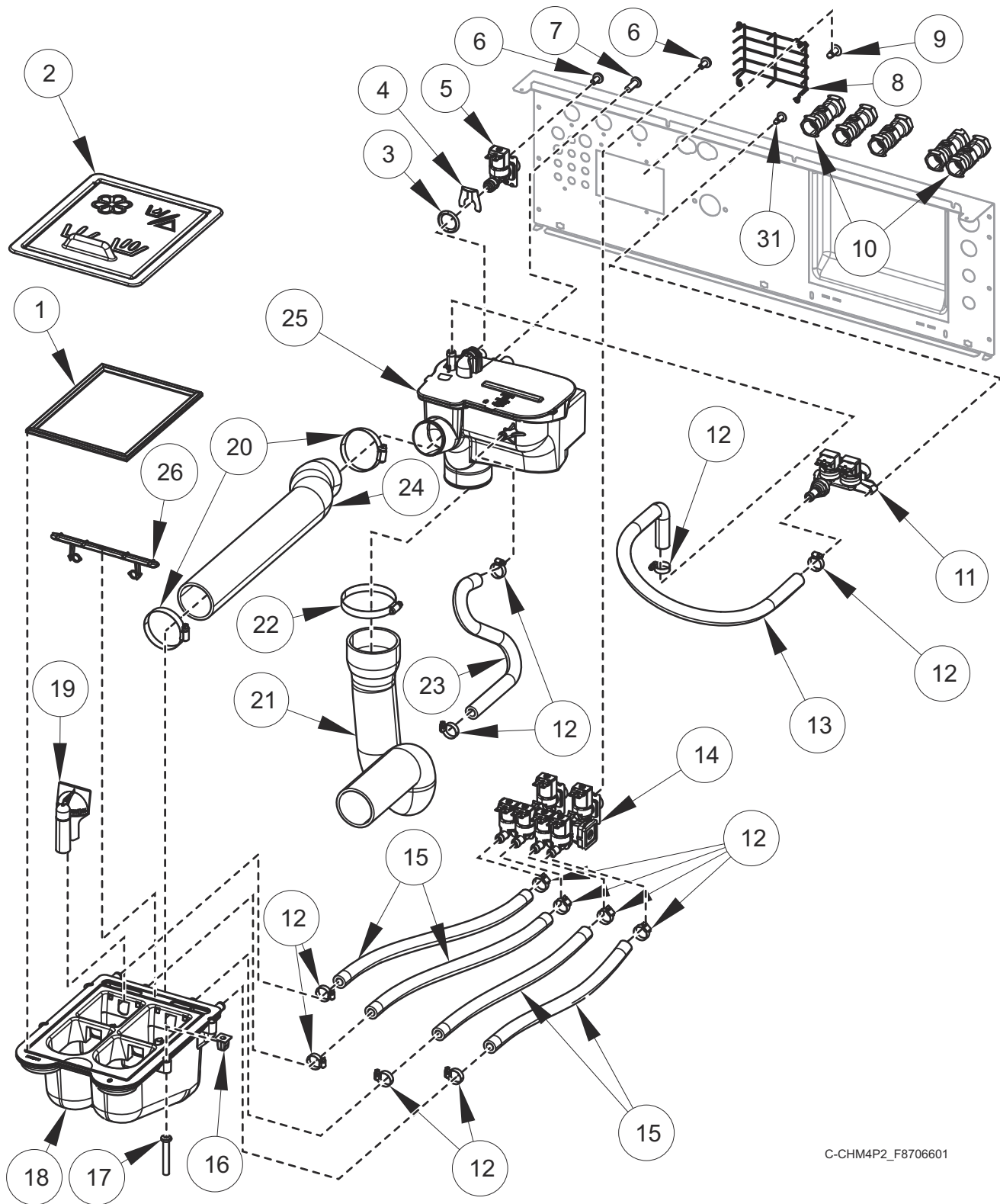


C-CHM2P7\_F8706601

## Fill Plumbing - 40 Pound Models

REF	PART NO.	DESCRIPTION	COMMENTS
	F8047403	Dispenser	Includes Items 21-23
	F8520101	Fill Valve Harness	
	F8665601	Water Hose Kit	Standard thread; Red (hot); Includes 20290 Washer and 803615 Washer Filter
	F8665603	Water Hose Kit	Standard thread; Blue (cold); Includes 20290 Washer and 803615 Washer Filter
	F8665602	Water Hose Kit	Metric thread; Red (hot); Includes 20290 Washer and 803615 Washer Filter
	F8665604	Water Hose Kit	Metric thread; Blue (cold); Includes 20290 Washer and 803615 Washer Filter
	F8671201	Fill Hose Kit	WRAS; Includes item 12 and F8665602 Water Hose Kit
	F8671202	Fill Hose Kit	WRAS; Includes item 12 and F8665604 Water Hose Kit
	F8671101	Fill Hose Kit	Australian watermark; Includes F8665602 Water Hose Kit and B12543901 Check Valve
	F8671102	Fill Hose Kit	Australian watermark; Includes F8665604 Water Hose Kit and B12543901 Check Valve
<b>1</b>	B12568601	Dispenser Gasket	
<b>2</b>	F8563204	Dispenser Cover	Black; Icons and text
	F8563203	Dispenser Cover	Gray; Icons and text
	F8563202	Dispenser Cover	Black; Icons
	F8563201	Dispenser Cover	Gray; Icons
<b>3</b>	F8529403	Supply Vacuum Hose	
<b>4</b>	F200213	Hose Clamp	
<b>5</b>	F8517503	Vacuum Breaker Assembly	With inlet and fill
	F8517501	Vacuum Breaker Assembly	With fill
	F8517504	Vacuum Breaker Assembly	
<b>6</b>	F8197701	Cap	WRAS
<b>7</b>	F8569101	O-Ring	
<b>8</b>	F8566801	Clip	
<b>9</b>	F8565201	Valve	Standard
	F8565202	Valve	Metric
<b>10</b>	F8230301	Screw	
<b>11</b>	800548	Screw	
<b>12</b>	F8301201	Double Check Valve	WRAS
<b>13</b>	70058501	Pop Rivet	
<b>14</b>	F8589601	Vacuum Breaker Guard	
<b>15</b>	36801	Hose Clamp	
<b>16</b>	F8616402	Rear Vent Hose	
<b>17</b>	F8529701	Manifold Valve	Standard
	F8529702P	Manifold Valve	Metric
<b>18</b>	F8232010	Hose	
<b>19</b>	F0431807-00	Nut	
<b>20</b>	F8535601	Screw	
<b>21</b>	F8437902	Dispenser Weldment	
<b>22</b>	F8047901	Siphon Cover	
<b>23</b>	F8047801	Access Cover	
<b>24</b>	F200201	Hose Clamp	
<b>25</b>	F8529603	P-Trap Hose	

# Fill Plumbing - 60 Pound Models



C-CHM4P2\_F8706601

## Fill Plumbing - 60 Pound Models

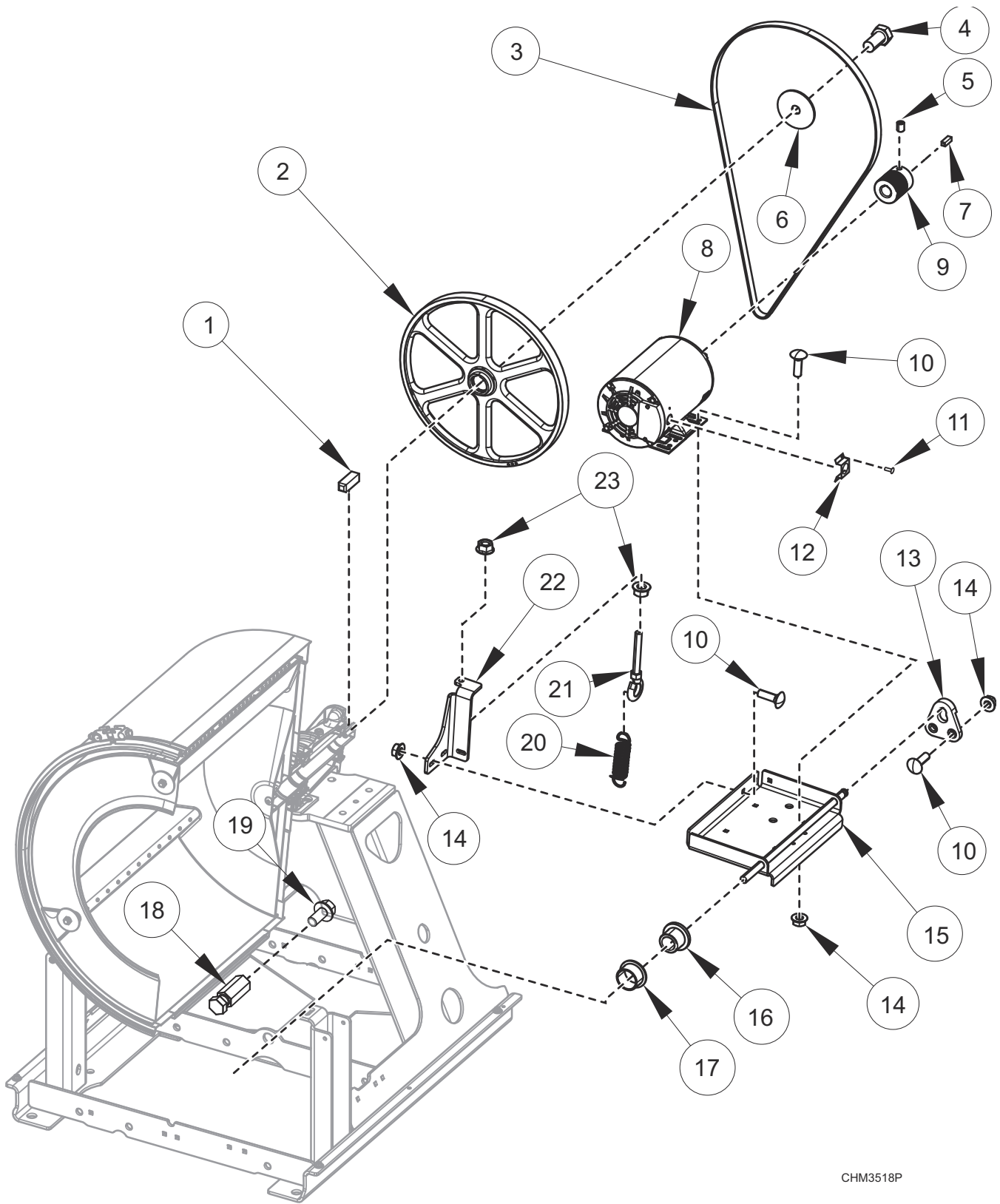
REF	PART NO.	DESCRIPTION	COMMENTS
	F8047403	Dispenser	Includes Items 18, 19 and 26
	F8520102	Fill Valve Harness	
	223/00243/00	Y-Connector	
	F8665601	Water Hose Kit	Standard thread; Red (hot); Includes 20290 Washer and 803615 Washer Filter
	F8665603	Water Hose Kit	Standard thread; Blue (cold); Includes 20290 Washer and 803615 Washer Filter
	F8665602	Water Hose Kit	Metric thread; Red (hot); Includes 20290 Washer and 803615 Washer Filter
	F8665604	Water Hose Kit	Metric thread; Blue (cold); Includes 20290 Washer and 803615 Washer Filter
	F8671201	Fill Hose Kit	WRAS; Includes item 11 and F8665602 Water Hose Kit
	F8671202	Fill Hose Kit	WRAS; Includes item 11 and F8665604 Water Hose Kit
	F8671101	Fill Hose Kit	Australian watermark; Includes F8665602 Water Hose Kit and B12543901 Check Valve
	F8671102	Fill Hose Kit	Australian watermark; Includes F8665604 Water Hose Kit and B12543901 Check Valve
	24122	Mixing Valve Screen	Steel mesh
	F8161201	Mixing Valve Screen	Plastic
1	B12568601	Dispenser Gasket	
2	F8563204	Dispenser Cover	Black; Icons and text
	F8563203	Dispenser Cover	Gray; Icons and text
	F8563202	Dispenser Cover	Black; Icons
	F8563201	Dispenser Cover	Gray; Icons
3	F8569101	O-Ring	
4	F8566801	Clip	
5	F8565201	Valve	3/4 inch; Standard
	F8565202	Valve	3/4 inch; Metric
6	F8230301	Screw	
7	800548	Screw	
8	F8589601	Vacuum Breaker Guard	
9	70058501	Pop Rivet	
10	F8301201	Double Check Valve	WRAS
11	F8434003	Mixing Valve	Standard
	F8434004	Mixing Valve	Metric
12	36801	Hose Clamp	
13	F8598501	Auxiliary Fill Hose	
14	F8529701	Manifold Valve	Standard
	F8529702P	Manifold Valve	Metric
15	F8232012	Hose	
16	F0431807-00	Nut	
17	F8535601	Screw	
18	F8437902	Dispenser Weldment	
19	F8047901	Siphon Cover	
20	F200213	Hose Clamp	
21	F8529604	P-Trap Hose	
22	F200201	Hose Clamp	
23	F8616404	Rear Vent Hose	
24	F8529404	Supply Vacuum Hose	
25	F8517503	Vacuum Breaker Assembly	With inlet and fill
	F8517501	Vacuum Breaker Assembly	With fill; WRAS
	F8517504	Vacuum Breaker Assembly	
26	F8047801	Access Cover	



## Motor, Pulley and Belt - 20 and 30 Pound Models

REF	PART NO.	DESCRIPTION	COMMENTS
	F8733806	Gasket	EMI 17.8 inch
	F8733801	Gasket	EMI 21 inch
	F8733802	Gasket	EMI 24 inch
	F8519001	Motor Harness	1 hp; 120-240 Volt
	F8519006	Motor Harness	1 hp; 120-240 Volt; EMI filter models through August 2021
	F8719401	Motor Harness	1 hp; 120-240 Volt; IEC shielded models starting September 2021
	F8519002	Motor Harness	1 hp; 380-480 Volt
	F8519007	Motor Harness	1 hp; 380-480 Volt; EMI filter models through August 2021
	F8719402	Motor Harness	1 hp; 380-480 Volt; IEC shielded models starting September 2021
	F8748601	Spring Stud Kit	Contains F8634701 Stud and 70126104 Screw. Used to replace F8351902 Eye Bolt and 44087201 Nut
<b>1</b>	F430801	Key	
<b>2</b>	F8511601	Basket Pulley	20 pound models
	F8511701	Basket Pulley	30 pound models
<b>3</b>	F8382811	Belt	20 pound models; Poly-V; 560J6
	F8382812	Belt	30 pound models; Poly-V; 690J6
<b>4</b>	F431115	Washer	
<b>5</b>	F8574001	Screw	
<b>6</b>	M400077	Screw	
<b>7</b>	H8752006H	Key	
<b>8</b>	F8525301	Motor Pulley	
<b>9</b>	23222	Screw	
<b>10</b>	70521901	Motor Conduit Mounting Bracket	Models through August 2021
	F8732401	Motor Conduit Mounting Bracket	Models starting September 2021
<b>11</b>	F8402801	Bolt	
<b>12</b>	44087201	Nut	
<b>13</b>	F8441101	Motor Rod Plate	
<b>14</b>	70062401	Bolt	
<b>15</b>	F8535202	Flanged Isolator	
<b>16</b>	F8333302	Flanged Bushing	
<b>17</b>	F8589001	Motor Bracket Weldment	
<b>18</b>	F8581201	Spring Bracket	
<b>19</b>	F310124	Extension Spring	
<b>20</b>	F8319503	Eye Bolt	
<b>21</b>	44087301	Nut	
<b>22</b>	F8509601P	Motor	1 hp; 230 Volt
	F8509701	Motor	1 hp; 460 Volt
<b>23</b>	F8634701	Stud	
<b>24</b>	70126104	Screw	

# Motor, Pulley and Belt - 40 and 60 Pound Models



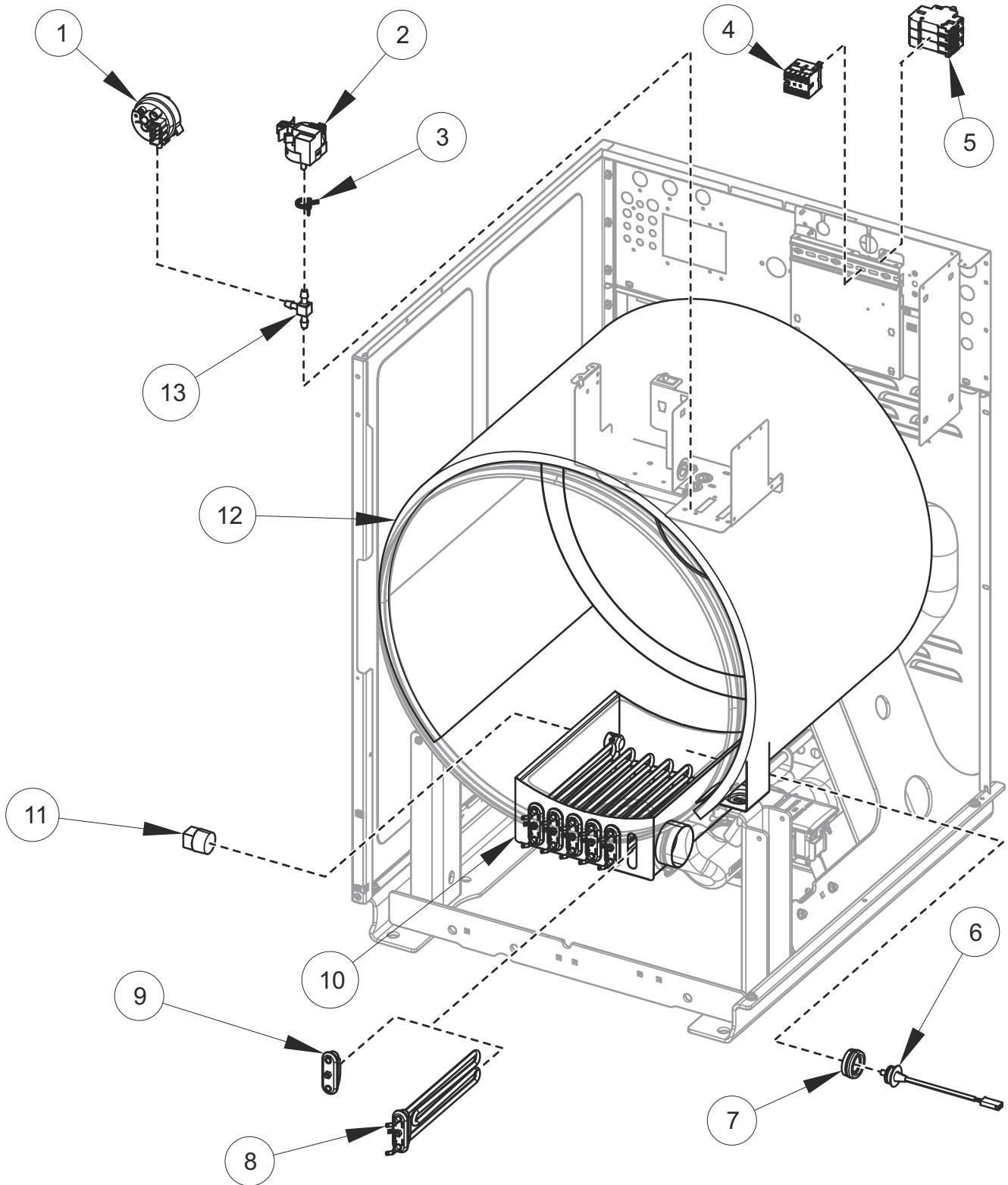
CHM3518P



## Motor, Pulley and Belt - 40 and 60 Pound Models

REF	PART NO.	DESCRIPTION	COMMENTS
	F8733806	Gasket	EMI 17.8 inch
	F8733803	Gasket	EMI 25.6 inch
	F8733804	Gasket	EMI 29 inch
	F8519003	Motor Harness	2-3 hp; 240 Volt; B, Q, W, X and Y voltage
	F8719403	Motor Harness	2-3 hp; B, Q, W, X and Y voltage; IEC shielded models starting September 2021
	F8719404	Motor Harness	2-3 hp; N and P voltage; IEC shielded models starting September 2021
	F8519004	Motor Harness	2-3 hp; 480 Volt; N and P voltage
	F8519008	Motor Harness	B, Q, W, X and Y voltage; EMI filter models through August 2021
	F8519009	Motor Harness	N and P voltage; EMI filter models through August 2021
<b>1</b>	F430801	Key	
<b>2</b>	F8511701	Basket Pulley	40 pound models
	F8511801	Basket Pulley	60 pound models
<b>3</b>	F8382813	Belt	40 pound models; Poly-V; 717J8
	F8382818	Belt	60 pound models; Poly-V; 765J10
<b>4</b>	F8574001	Screw	
<b>5</b>	M400077	Screw	
<b>6</b>	F431115	Washer	
<b>7</b>	H8752006H	Key	
<b>8</b>	F8564101P	Motor	2 hp; 230/460 Volt; 40 pound models
	F8564102P	Motor	3 hp; 230/460 Volt; 60 pound models
<b>9</b>	F8525301	Motor Pulley	40 pound models
	F8525302	Motor Pulley	60 pound models
<b>10</b>	F8402801	Bolt	
<b>11</b>	23222	Screw	
<b>12</b>	F8732801	Bracket	
<b>13</b>	F8441101	Motor Rod Plate	
<b>14</b>	44087201	Nut	
<b>15</b>	F8589002	Motor Bracket Weldment	
<b>16</b>	F8535202	Flanged Isolator	
<b>17</b>	F8333302	Flanged Bushing	
<b>18</b>	F8634701	Stud	
<b>19</b>	70126104	Screw	
<b>20</b>	F310124	Extension Spring	40 pound models
	F8440701	Extension Spring	60 pound models
<b>21</b>	F8319503	Eye Bolt	
<b>22</b>	F8581201	Spring Bracket	
<b>23</b>	44087301	Nut	

# Electric Heating

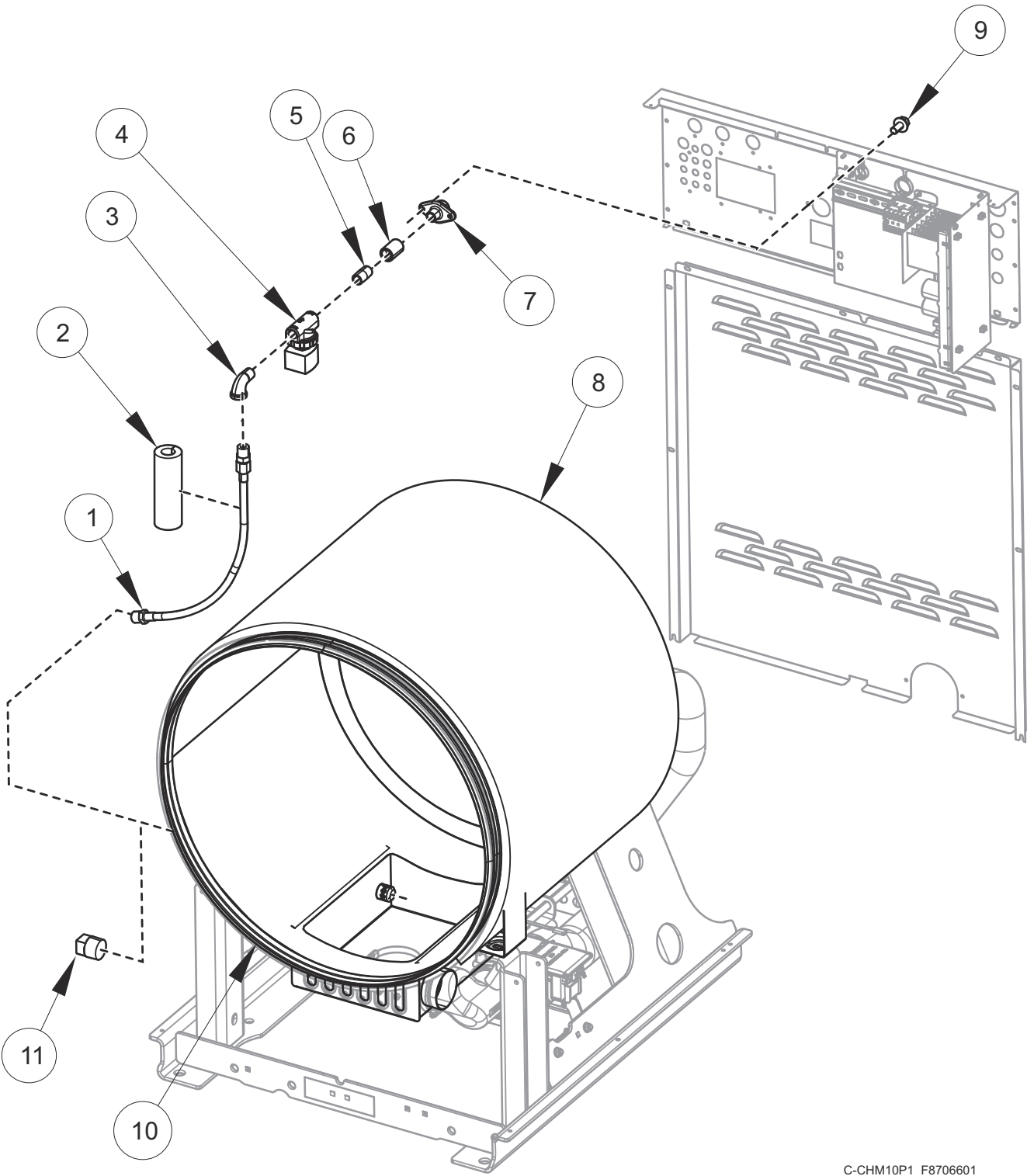


C-CHM8P6\_F8706601

# Electric Heating

REF	PART NO.	DESCRIPTION	COMMENTS
	F8584801	Electric Heat Element Harness	3 element ground
	F8584802	Electric Heat Element Harness	6 element ground
	F8619101	Power Harness	
	F8564001	Harness	Heater; 20 and 30 pound models; N and P Voltage
	F8564002	Harness	Heater; 20 and 30 pound models; Q Voltage
	F8564003	Harness	Heater; 40 and 60 pound models; N, P and Q Voltage
	F8598301	Harness	Thermistor; 20 and 30 pound models
	F8598302	Harness	Thermistor; 40 and 60 pound models
	F8568901	Jumper	40 and 60 pound models with N voltage
	F8569001	Jumper	40 and 60 pound models with P voltage; 20 and 30 pound models with N and P voltage
<b>1</b>	F8609101	Water Level Pressure Switch	
<b>2</b>	F8623401	Pressure Sensor	
<b>3</b>	39282	Hose Clamp	
<b>4</b>	70482601	Contactactor	
<b>5</b>	70488101	Circuit Breaker	
<b>6</b>	F8538801	Thermistor	
<b>7</b>	2251000400	Temperature Probe Grommet	
<b>8</b>	F8568401	Heating Element	2600W; 240 Volt
	F8568402	Heating Element	3400W; 277 Volt
	F8568301	Heating Element	4200W; 230 Volt
<b>9</b>	F360202	Heating Element Plug	
<b>10</b>	F8512102	Shell	20 pound models
	F8514002	Shell	30 pound models
	F8512202	Shell	40 pound models
	F8543702	Shell	60 pound models
<b>11</b>	F420408	Plug	20, 30 and 40 pound models
	F420409	Plug	60 pound models
<b>12</b>	F8209101	Insulation	20 pound models
	F8209102	Insulation	30 pound models
	F8209103	Insulation	40 pound models
	F8209104	Insulation	60 pound models
<b>13</b>	203464	Barbed Tee	

# Steam Heating - 40 and 60 Pound Models

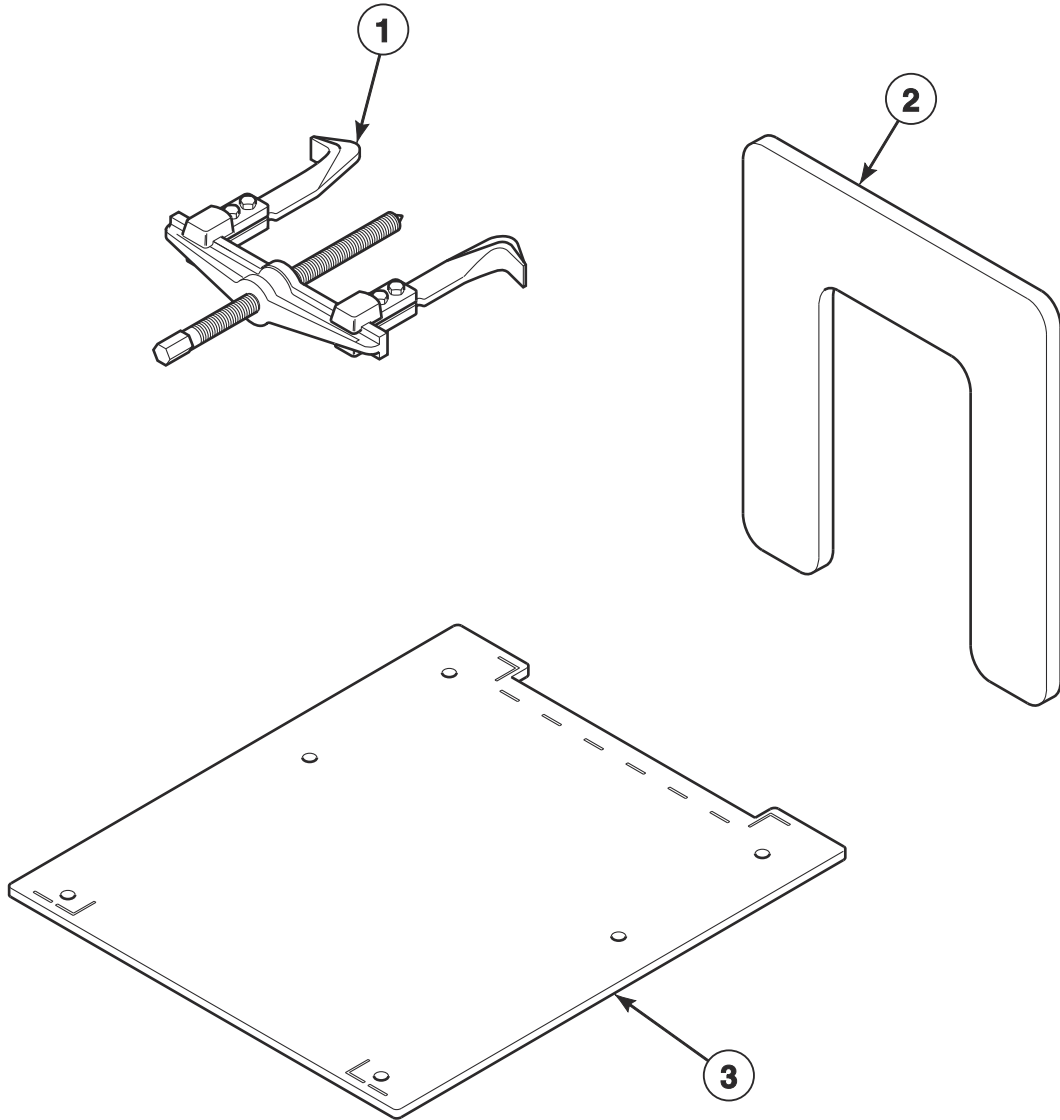


C-CHM10P1\_F8706601

## Steam Heating - 40 and 60 Pound Models

REF	PART NO.	DESCRIPTION	COMMENTS
	F8662602	Steam Kit	40 pound models; Includes Items 1-7, 9, 11, 901403 Pipe Nipple, F270307 Steam Filter, F8520704 Harness, insulation and labels
	F8662601	Steam Kit	60 pound models; Includes Items 1-7, 9, 11, 901403 Pipe Nipple, 70214101 Pipe Nipple, F270307 Steam Filter, F8520704 Harness, insulation and labels
	F270307	Steam Filter	1/2 inch
	F270308	Steam Filter	3/4 inch
	F8520704	Harness	Steam Valve
	F8233704	Insulation	Steam pipe; 12 inches
	F8233708	Pipe Insulation	Steam pipe; 20 inches
	F410300	Pipe Insulation	Steam pipe; 36 inches
	F8379501P	Valve Kit	
<b>1</b>	F200153P	Steam Hose	40 pound models
	F200197	Steam Hose	60 pound models
<b>2</b>	F8233702	Insulation	Steam pipe; 6 inches
<b>3</b>	H86070034	Street Elbow	
<b>4</b>	F8322805	Valve	
	F8515001	Coil	
<b>5</b>	70435601	Pipe Nipple	
<b>6</b>	F8116301	Coupling	
<b>7</b>	F8362701	Coupling	
<b>8</b>	F8209103	Insulation	40 pound models
	F8209104	Insulation	60 pound models
<b>9</b>	70321501	Screw	
<b>10</b>	F8512202	Shell	40 pound models
	F8543702	Shell	60 pound models
<b>11</b>	F420408	Plug	

# Special Tools and Kits



CHM3486P\_F8706601

## Special Tools and Kits

REF	PART NO.	DESCRIPTION	COMMENTS
	1111P	Concrete Kit	5/8 inch
	389P4	Basket Tool Kit	Purchase; Requires item 1
	390P4-1	Basket Rental Tool Kit	Purchase; Requires item 1
	203346	USB IR Interface Kit	
<b>1</b>	F460129P	Basket Puller Tool	
<b>2</b>	F8608502P	Basket Pulley Puller Tool	Use with item 1
<b>3</b>	F8433301	Frame Template	20 pound models
	F8433401	Frame Template	30 pound models
	F8433501	Frame Template	40 pound models
	F8433601	Frame Template	60 pound models





# Parts Index

## A

Access Cover	
F8047801 .....	69, 71, 73, 75
Access Panel	
F8524001 .....	39, 41, 43
F8524002DG .....	45
F8524101 .....	39, 41, 43
F8524102DG .....	45
F8524201 .....	39, 41, 43
F8524202DG .....	45
F8553901 .....	39, 41, 43
F8553902DG .....	45
Access Panel Overlay	
F8750201 .....	43
F8750301 .....	43
F8750401 .....	43
F8750501 .....	43
Access Panel Retaining Spacer	
F8609701 .....	39, 41, 43, 45
App Pay Overlay Kit	
44374701 .....	11, 15, 17, 19
Auxiliary Fill Hose	
F8598501 .....	75

## B

Backflow Preventer	
800310 .....	67
Barbed Tee	
203464 .....	11, 81
Basket	
F8391302 .....	61
F8391304 .....	61
F8391502 .....	61
F8391504 .....	61
F8391702 .....	61
F8391704 .....	61
F8502802 .....	61
F8502805 .....	61
Basket Puller Tool	
F460129P .....	85
Basket Pulley	
F8511601 .....	77
F8511701 .....	77, 79
F8511801 .....	79
Basket Pulley Puller Tool	
F8608502P .....	85
Basket Rental Tool Kit	
390P4-1 .....	85
Basket Tool Kit	
389P4 .....	85
Bearing	
F100108 .....	63
F100123P .....	63
F100134 .....	63
F100135 .....	63
F100136P .....	63
F100137P .....	63

Bearing Housing	
F8246802 .....	63
F8247902 .....	63
F8249902 .....	63
F8250902 .....	63
Bearing Housing Assembly	
F8271601P .....	63
F8271602 .....	63
F8271701P .....	63
F8271702 .....	63
F8271801P .....	63
F8271802 .....	63
F8271901P .....	63
F8271902 .....	63
Belt	
F8382811 .....	77
F8382812 .....	77
F8382813 .....	79
F8382818 .....	79
Bolt	
F430974 .....	53, 55, 57
F8270701 .....	59
F8402801 .....	49, 51, 65, 67, 77, 79
F8508101 .....	53, 55, 57
F8750801 .....	53, 55, 57
70062401 .....	77
Bracket	
F8571301 .....	67
F8571401 .....	67
F8732801 .....	79
Bushing	
70346501 .....	23, 25, 27, 29, 31, 33

## C

Cabinet Brace	
F8527301 .....	47
F8527401 .....	47
F8527501 .....	47
F8553201 .....	47
Cable	
F8521301 .....	47
Cap	
F8197701 .....	69, 71, 73
Chemical Injection Control	
804528 .....	35
Circuit Breaker	
70488101 .....	27, 29, 31, 33, 81
Clip	
F8566801 .....	69, 71, 73, 75
Coil	
F8515001 .....	83
Coin Drawer Assembly	
F8182001 .....	21
F8748501 .....	21
Coin Drop	
38963P .....	15
39748 .....	15
70441601P .....	15
70441603 .....	17
Coin Drop Assembly	
201141 .....	15

N/A items do not appear in index.

210195	17
210196	17
38462P	15
38463	15
38464P	15
38467	17
38475	15
38519	17
70281102	17
70283102	17
70441602	17
70447301	17
70471601	15
70482401	17
70506901	15
Coin Drop Kit	
CK077	15
CK122	19
CK503	17
Coin Identification Paper	
38725	15, 17, 19
Coin Meter	
F0160737-00	17
Coin Vault Assembly	
F8529101	11
Coin Vault Harness	
F8519701	11
Concrete Kit	
1111P	85
Connector	
70493102	35
Contactora	
F330188P	81
70482601	23, 25, 27, 29, 31, 33
70482701	23, 25, 27, 29, 31, 33
Contactora Tray	
F8530901	23, 25, 27, 29, 31, 33
Control Assembly	
F8493901P	11
Control Panel Assembly	
F8523701	39, 41, 43
F8523707	45
F8523801	39, 41, 43
F8523807	45
F8523901	39, 41, 43
F8523907	45
F8553701	39, 41, 43
F8553707	45
Control Tray	
F8530701	13
Coupling	
F8116301	83
F8362701	83

## D

Danger Label	
F8614501	9
DIN Rail	
B12315401	27, 29, 31, 33
M412689	23, 25, 27, 29, 31, 33
Dispenser	
F8047403	69, 71, 73, 75

Dispenser Bracket	
F8525701	47
Dispenser Cover	
F8563201	69, 71, 73, 75
F8563202	69, 71, 73, 75
F8563203	69, 71, 73, 75
F8563204	69, 71, 73, 75
Dispenser Gasket	
B12568601	69, 71, 73, 75
Dispenser Weldment	
F8437902	69, 71, 73, 75
Door	
F8507502	53
F8507602	55
F8507702	57
F8751101	53
F8751201	55
F8751301	57
F8752501	53
F8752601	55
F8752701	57
Door Assembly	
F8617201	53
F8617202	53
F8617301	55
F8617302	55
F8617401	57
F8617402	57
F8752901	53
F8752902	53
F8753001	55
F8753002	55
F8753101	57
F8753102	57
Door Bezel	
F8658701	39, 41, 43, 45
F8658901	39, 41, 43, 45
F8659101	39, 41, 43, 45
Door Gasket	
F200000202	53
F8111502	57
F8111602	55
Door Glass	
F8485301P	55
F8485401P	57
Door Glass Kit	
F290205P	53
Door Glass Trim	
F8583201	53
F8583202	55
F8583203	57
F8583209	53
F8583210	55
F8583211	57
Door Handle	
F8199401P	53, 55, 57
Door Handle Spacer Kit	
F8567501	53, 55, 57
Door Hinge	
F190216P	53, 55, 57
Door Hinge Shim Kit	
F200131000P	53, 55, 57
Door Latch Arm Assembly	
F8221403	53, 55, 57
Door Lock Assembly	
F8632401	59

N/A items do not appear in index.



F8662507 .....	35
F8662508 .....	35
Eye Bolt	
F8319503 .....	77, 79

## F

Fill Hose Kit	
F8671101 .....	69, 71, 73, 75
F8671102 .....	69, 71, 73, 75
F8671201 .....	69, 71, 73, 75
F8671202 .....	69, 71, 73, 75
Fill Valve Harness	
F8520101 .....	69, 71, 73
F8520102 .....	75
Filter Kit	
F8662801 .....	23
F8662802 .....	27
F8662803 .....	25
F8662804 .....	29, 31
F8662805 .....	25
F8662806 .....	29, 33
F8662809 .....	25
F8662810 .....	25
F8662811 .....	29, 31
F8662812 .....	29, 33
Flanged Bushing	
F8333302 .....	77, 79
Flanged Isolator	
F8535202 .....	77, 79
Frame Template	
F8433301 .....	85
F8433401 .....	85
F8433501 .....	85
F8433601 .....	85
Front Panel	
F8524301 .....	39
F8524303 .....	41
F8524401 .....	39
F8524403 .....	41
F8524501 .....	39
F8524503 .....	41
F8554001 .....	39
F8554003 .....	41
F8685305DG .....	45
F8686003DG .....	45
F8686103DG .....	45
F8686203DG .....	45
Front Panel Assembly	
F8753801 .....	43
F8753901 .....	43
F8754001 .....	43
F8754101 .....	43
Front Tray Assembly	
F8531001 .....	11
F8567301 .....	11
F8567302 .....	11
F8567303 .....	11
F8567304 .....	11
F8567305 .....	11
F8567306 .....	11

## G

Gasket	
F8542601 .....	47
F8733801 .....	77
F8733802 .....	77
F8733803 .....	79
F8733804 .....	79
F8733806 .....	77, 79
Gateway	
204145P .....	13
205391P .....	13
Ground Lug Connector	
M411283 .....	23, 25, 27, 29, 31, 33

## H

Harness	
F8518401 .....	25, 29, 31
F8518402 .....	23, 25
F8518403 .....	29, 31
F8518404 .....	23, 25, 31
F8518405 .....	23, 27
F8518501 .....	23, 25, 29, 33
F8518502 .....	25
F8518503 .....	29, 33
F8518504 .....	25, 29
F8518604 .....	27
F8518605 .....	25, 29, 33, 37
F8518606 .....	25, 29, 33, 37
F8518607 .....	31
F8519301 .....	11
F8519501 .....	11
F8519502 .....	11
F8519601 .....	11
F8520601 .....	35
F8520602 .....	35
F8520704 .....	83
F8528001 .....	25, 27, 29, 31, 33
F8528002 .....	25
F8528003 .....	27, 29, 31, 33
F8528004 .....	23, 27
F8528005 .....	25, 29, 31, 33
F8528006 .....	23, 27
F8528203 .....	35
F8528204 .....	35
F8564001 .....	81
F8564002 .....	81
F8564003 .....	81
F8598301 .....	61, 81
F8598302 .....	61, 81
F8619102 .....	23, 25, 27, 29, 31, 33
Harness Support Bracket	
F8744301 .....	23, 25, 27, 29, 31, 33
Heating Element	
F8568301 .....	81
F8568401 .....	81
F8568402 .....	81
Heating Element Plug	
F360202 .....	81
Hole Plug	
F8223801 .....	47
Hose	
F8232007 .....	69
F8232010 .....	73

N/A items do not appear in index.

F8232011 .....	71
F8232012 .....	75
Hose Clamp	
F200201 .....	65, 69, 71, 73, 75
F200204 .....	67
F200213 .....	65, 69, 71, 73, 75
F200215 .....	67
F200219 .....	67
36801 .....	69, 71, 73, 75
36802 .....	65, 67
39282 .....	11, 81
Hot Surface Warning Label	
F8609001 .....	9
F8614301 .....	9

## I

Input and Output Control Assembly	
F8494101P .....	13
Insulation	
F8209101 .....	81
F8209102 .....	81
F8209103 .....	81, 83
F8209104 .....	81, 83
F8233702 .....	83
F8233704 .....	83
Insulator	
M413862 .....	23, 25, 27, 29, 31, 33

## J

Jumper	
F8568901 .....	81
F8569001 .....	81
F8583501 .....	27, 29, 31, 33

## K

Key	
F160420 .....	21
F430801 .....	77, 79
H8752006H .....	77, 79
70155603 .....	47

## L

Label	
D516100 .....	23, 25, 27, 29, 31, 33
F8601301 .....	9
F8602401 .....	9
F8609401 .....	9
F8611301 .....	9, 47
F8611401 .....	9, 47
F8614801 .....	9
203853 .....	9
44286801 .....	23, 27
44286803 .....	25, 29, 33

## M

Machine ID Control Assembly	
203361P .....	11
Magnet	
F8390801 .....	53, 55, 57
Male Tab Terminal	
00621SG .....	23, 25, 27, 29, 31, 33
Manifold Valve	
F8529701 .....	69, 71, 73, 75
F8529702P .....	69, 71, 73, 75
Mixing Valve	
F8434003 .....	75
F8434004 .....	75
Mixing Valve Screen	
F8161201 .....	75
24122 .....	75
Motor	
F8509601P .....	77
F8509701 .....	77
F8564101P .....	79
F8564102P .....	79
Motor Bracket Weldment	
F8589001 .....	77
F8589002 .....	79
Motor Conduit Mounting Bracket	
F8732401 .....	77
70521901 .....	77
Motor Harness	
F8519001 .....	77
F8519002 .....	77
F8519003 .....	79
F8519004 .....	79
F8519006 .....	77
F8519007 .....	77
F8519008 .....	79
F8519009 .....	79
F8719401 .....	77
F8719402 .....	77
F8719403 .....	79
F8719404 .....	79
Motor Pulley	
F8525301 .....	77, 79
F8525302 .....	79
Motor Rod Plate	
F8441101 .....	77, 79

## N

Nut	
C001236 .....	53, 55, 57
F0431807-00 .....	69, 71, 73, 75
F430215 .....	19, 53, 55, 57
F430218 .....	61
F430225 .....	59
F430232 .....	53, 55, 57, 59
F431024 .....	59
F431041 .....	53, 55, 57
F8387701 .....	63
44087201 .....	49, 51, 65, 67, 77, 79
44087301 .....	61, 77, 79
44088001 .....	23, 25, 27, 29, 31, 33
44088801 .....	47
685846 .....	11, 15, 17

N/A items do not appear in index.

70030401 ..... 65

## O

Opto Coupler	
200674P .....	15, 17
O-Ring	
F8569101 .....	69, 71, 73, 75
Overflow Hose	
F8521201 .....	65
F8522401 .....	65
F8522501 .....	65
Overflow Plug	
F150352 .....	67
Overlay	
F8703401 .....	39, 41, 43
F8703402 .....	39, 41, 43
F8703405 .....	39, 41, 43
F8703501 .....	39, 41, 43
F8703502 .....	39, 41, 43
F8703505 .....	39, 41, 43
F8703601 .....	39, 41, 43
F8703602 .....	39, 41, 43
F8703605 .....	39, 41, 43
F8703701 .....	39, 41, 43
F8703702 .....	39, 41, 43
F8703705 .....	39, 41, 43
F8704001 .....	39, 41, 45
F8704002 .....	39, 41, 45
F8704005 .....	39, 41, 45
F8704101 .....	39, 41, 45
F8704102 .....	39, 41, 45
F8704105 .....	39, 41, 45
F8704201 .....	39, 41, 45
F8704202 .....	39, 41, 45
F8704205 .....	39, 41, 45
F8704301 .....	39, 41, 45
F8704302 .....	39, 41, 45
F8704305 .....	39, 41, 45

## P

Panel Locator	
56079 .....	39, 41, 43, 45, 49, 51
Panel Lock	
44089303P .....	47
Pin	
F8302701 .....	61
F8502101 .....	49, 51
Pinch Warning Label	
F8615701 .....	9
70538401 .....	9
Pipe Insulation	
F410300 .....	83
F8233708 .....	83
Pipe Nipple	
70435601 .....	83
Plug	
F420408 .....	81, 83
F420409 .....	81
F8223901 .....	47
M400985 .....	47
Pop Rivet	
F431215 .....	39, 41, 43, 45, 47

N/A items do not appear in index.

F431223 .....	53, 55, 57
M400003 .....	13, 23, 25, 27, 29, 31, 33
70058501 .....	11, 15, 17, 23, 25, 27, 29, 31, 33, 69, 71, 73, 75
70412601 .....	39, 41, 43, 45

Power Distribution Block	
M413865 .....	23, 25, 27, 29, 31, 33
Power Distribution Block Cover	
44014901P .....	23, 25, 27, 29, 31, 33
Power Harness	
F8619101 .....	23, 25, 27, 29, 31, 33, 81
Pressure Cap	
F8579301 .....	65, 67
Pressure Sensor	
F8623401 .....	11, 81
P-Trap Hose	
F8529601 .....	69
F8529602 .....	71
F8529603 .....	73
F8529604 .....	75
Pulse Expander Assembly	
F8034701P .....	19
Pump Drain and Bracket Assembly	
804038 .....	67
805613 .....	67
805723 .....	67
Pump Drain Bracket	
F8536901 .....	67
F8557101 .....	67
F8557301 .....	67
Pump Drain Hose	
F8556601 .....	67
Pump Drain Rear Hose	
F8537001 .....	67
F8557001 .....	67
F8557201 .....	67
Pushbutton Switch	
70413301 .....	47

## R

Radial Lip Seal	
F8203816 .....	63
Rear Drain Hose	
F8543001 .....	65
F8543201 .....	65
F8543501 .....	65
F8587301 .....	65
Rear Panel	
F8527001 .....	47
F8527101 .....	47
F8527201 .....	47
F8554501 .....	47
Rear Vent Hose	
F8616401 .....	69
F8616402 .....	71, 73
F8616404 .....	75
Reed Switch Assembly	
F8066804 .....	59
Retaining Ring	
F8337801 .....	63
F8337901 .....	63
F8344901 .....	63
F8345001 .....	63

Rivet	F8750901.....	53, 55, 57
	M412763.....	39, 41, 43, 45, 49, 51
Rod	F602813-2.....	53, 55, 57

## S

Screw	D503688.....	37
	F430532.....	53
	F430533.....	55, 57
	F430536.....	53, 55, 57
	F8117601.....	39, 41, 43, 45, 47, 49, 51, 59, 67
	F8206901.....	13, 23, 25, 27, 29, 31, 33, 47, 67
	F8230301.....	69, 71, 73, 75
	F8368801.....	63
	F8442702.....	63
	F8535501.....	39, 53, 55, 57
	F8535503.....	53, 55, 57
	F8535601.....	69, 71, 73, 75
	F8574001.....	77, 79
	F8589501.....	39, 41, 45
	F8589502.....	43
	F8621601.....	61
	F8658501.....	67
	F8673701.....	61
	M400077.....	77, 79
	202175.....	65
	23222.....	77, 79
	33562.....	47
	39733.....	23, 25, 27, 29, 31, 33
	403497.....	35
	430497.....	13
	51780.....	47
	51783.....	23, 25, 27, 29, 31, 33
	685837.....	23, 25, 27, 29, 31, 33
	70126104.....	77, 79
	70321501.....	83
	800548.....	69, 71, 73, 75
Seal Scupper Pad	F8350302.....	63
Shaft Seal Sleeve Kit	F8343906P.....	61
Shell	F8512101.....	61
	F8512102.....	61, 81
	F8512201.....	61
	F8512202.....	61, 81, 83
	F8514001.....	61
	F8514002.....	61, 81
	F8543701.....	61
	F8543702.....	61, 81, 83
Shell Band Kit	F8537801.....	61
	F8537802.....	61
	F8537803.....	61
	F8537804.....	61
Shell Front	F8222301.....	61
	F8222401.....	61
	F8222501.....	61
	F8222601.....	61
Shock Warning Label	F8614201.....	9

Side Panel	F8524601.....	49
	F8524602.....	49
	F8524603.....	49
	F8524604.....	49
	F8524605DG.....	51
	F8524605LG.....	51
	F8524606DG.....	51
	F8524606LG.....	51
	F8524701.....	49
	F8524702.....	49
	F8524703.....	49
	F8524704.....	49
	F8524705.....	49
	F8524705DG.....	51
	F8524705LG.....	51
	F8524706.....	49
	F8524706DG.....	51
	F8524706LG.....	51
	F8524801.....	49
	F8524802.....	49
	F8524803.....	49
	F8524804.....	49
	F8524805.....	49
	F8524805DG.....	51
	F8524805LG.....	51
	F8524806.....	49
	F8524806DG.....	51
	F8524806LG.....	51
	F8525605.....	49
	F8525606.....	49
	F8554201.....	49
	F8554202.....	49
	F8554203.....	49
	F8554204.....	49
	F8554205.....	49
	F8554205DG.....	51
	F8554205LG.....	51
	F8554206.....	49
	F8554206DG.....	51
	F8554206LG.....	51
Siphon Cover	F8047901.....	69, 71, 73, 75
Snap Bushing	F140938.....	11, 23, 25, 27, 29, 31, 33, 35
	M402542.....	11
	M411826.....	11
Spacer	F431901.....	59
Spring Bracket	F8581201.....	77, 79
Spring Pin	F431222.....	53, 55, 57
Spring Stud Kit	F8748601.....	77
Steam Filter	F270307.....	83
	F270308.....	83
Steam Hose	F200153P.....	83
	F200197.....	83
Steam Kit	F8662601.....	83
	F8662602.....	83
Street Elbow	H86070034.....	83

N/A items do not appear in index.

Stud	
F8634701 .....	77, 79
70334702 .....	65
Supply Vacuum Hose	
F8529401 .....	69
F8529402 .....	71
F8529403 .....	73
F8529404 .....	75

## T

Temperature Probe Grommet	
2251000400 .....	61, 81
Terminal	
00622SG .....	13, 23, 25, 27, 29, 31, 33
Terminal Block	
430642 .....	23, 25, 27, 29, 31, 33
Terminal Block Shield	
70333001 .....	23, 25, 27, 29, 31, 33
Terminal Tray Cover	
F8518301 .....	47
Thermistor	
F8538801 .....	61, 81
Top Cover	
F8525401 .....	47
F8525501 .....	47
F8525601 .....	47
F8554301 .....	47
Top Cover Hinge	
F8258601 .....	47
Top Cover Latch	
F8201001 .....	39, 41, 43, 45
Torsion/Door Lock Spring	
F8070301 .....	59
Transformer	
F8491101 .....	13
202757 .....	13
202758 .....	13
Triple Lip Seal	
F8203801 .....	63
F8203802 .....	63
F8203803 .....	63
F8203806 .....	63
F8203813 .....	63
F8203814 .....	63
F8203815 .....	63
Tubing	
F8405302 .....	11
F8405303 .....	11

## U

USB IR Interface Kit	
203346 .....	85

## V

Vacuum Breaker Assembly	
F8517501 .....	69, 71, 73, 75
F8517503 .....	69, 71, 73, 75
F8517504 .....	69, 71, 73, 75

Vacuum Breaker Guard	
F8589601 .....	69, 71, 73, 75
Valve	
F8322805 .....	83
F8565201 .....	69, 71, 73, 75
F8565202 .....	69, 71, 73, 75
Valve Kit	
F8379501P .....	83
Valve Panel	
F8513101 .....	47
F8513201 .....	47
F8513301 .....	47
F8554401 .....	47

## W

Warning Label	
F8611601 .....	9
44324001 .....	9
Washer	
F430339 .....	63
F431115 .....	77, 79
F431133 .....	53, 55, 57
F431147 .....	53, 55, 57
F431916 .....	53, 55, 57
F431929 .....	53, 55, 57
F8193101 .....	59
F8201101 .....	39, 41, 43, 45
F8402701 .....	61
M400080 .....	61
M400081 .....	61
M405535 .....	49, 51
Water Hose Kit	
F8665601 .....	69, 71, 73, 75
F8665602 .....	69, 71, 73, 75
F8665603 .....	69, 71, 73, 75
F8665604 .....	69, 71, 73, 75
Water Level Pressure Switch	
F8609101 .....	11, 81
Wire Clip	
F8449501 .....	11, 13
70347601 .....	13
70366201 .....	11
Wire Label	
44286804 .....	25, 29, 31
Wireless Harness	
F8674003 .....	13
F8674004 .....	13
Wireless Kit	
F8676001 .....	13
F8676101 .....	13
Wireless Network Control Assembly	
807211 .....	13

## Y

Y-Connector	
223/00243/00 .....	75

N/A items do not appear in index.