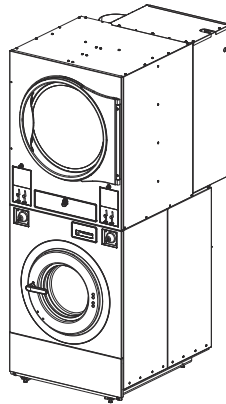


# Stacked Washer-Extractor/ Tumble Dryer

Stacked 30 and 50 Pound Capacity  
Design 3

Refer to Page 5 for Model Numbers



STX2C



# Table of Contents

Title	Page
Parts Ordering Information.....	3
Serial Plate Location .....	3
Machine Identification .....	5
Product Overview.....	6
Touch Control - Vend.....	8
Touch Control - OPL .....	10
Coin Drops .....	12
Optional Coin Box .....	14
Door and Hinge Components .....	16
Upper Front Panel Assemblies .....	18
Cabinet Front Components.....	20
Lint Drawer Components .....	22
Cylinder and Trunnion Components .....	24
Bearing Components .....	26
Cabinet Components - 30 Pound Models .....	28
Cabinet Components - 50 Pound Models .....	30
Rear Panels .....	32
Drive Motor Components .....	34
Exhaust Components.....	36
Blower Components.....	38
Airflow Switch.....	40
Gas Burner Housing and Secondary Stove Limit .....	42
Gas Valve and Piping .....	44
Burner Orifices .....	46
Electric Heater Components - 30 Pound Models .....	48
Control Tray - Gas Models.....	50
Control Tray - 30 Pound Electric Models (Drawing 1 of 2).....	52
Control Tray - 30 Pound Electric Models (Drawing 2 of 2).....	54
Labels - Tumble Dryer .....	56
Control Tray Harnesses - Tumble Dryer .....	57
Drive Panel Assembly .....	58
Control Tray .....	60
Control Tray - IEC Components.....	62
Lower Front Panels.....	64
Rear Panels .....	66
Side Panels.....	68
Door .....	70
Door Lock.....	72
Shell Front, Basket, Shell and Frame Template .....	74
Bearing Housing .....	76
Drain Plumbing .....	78

© Copyright 2023, Alliance Laundry Systems LLC

All rights reserved. No part of the contents of this book may be reproduced or transmitted in any form or by any means without the expressed written consent of the publisher.

Pump Drain Plumbing .....	80
Fill Plumbing .....	82
Motor, Pulley and Belt - 30 Pound Models.....	84
Motor, Pulley and Belt - 50 Pound Models.....	86
Special Tools and Kits .....	88
Labels - Washer-Extractor .....	90
Parts Index.....	91

## Parts Ordering Information

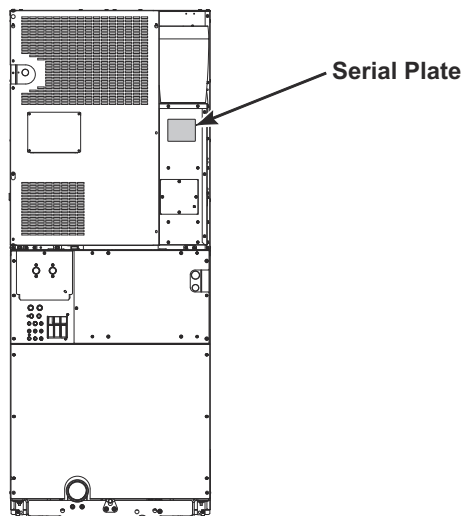
If literature or replacement parts are required, contact the source from whom the machine was purchased or contact Alliance Laundry Systems at (920) 748-3950 for the name and address of the nearest authorized parts distributor.

For technical assistance, call the number listed below:

(920) 748-3121 Ripon, Wisconsin

## Serial Plate Location

When calling or writing about your product, be sure to mention model and serial numbers. Model and serial numbers are located on serial plate(s) as shown.



STX25P



# Machine Identification

Information in this manual is applicable to these machines:

BSA030N	SSA030N	UST030E
BSA050N	SSA050N	UST030N
BSG030L	SSG030E	UST050N
BSG030N	SSG030L	
BSG050L	SSG030N	
BSG050N	SSG050L	
HSA030N	SSG050N	
HSA050N	SSJ030D	
HSG030E	SSJ050D	
HSG030L	SSK030L	
HSG030N	SSK030N	
HSG050L	SSK050L	
HSG050N	SSK050N	
HSK030L	SST030E	
HSK030N	SST030N	
HSK050L	SST050L	
HSK050N	SST050N	
HST030N		
HST050N		
PSA030N		
PSA050N		
PSG030L		
PSG030N		
PSG050L		
PSG050N		

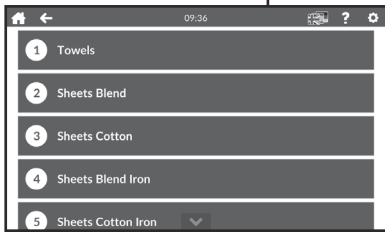
# Product Overview



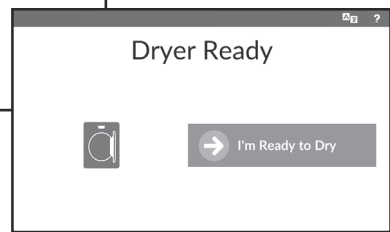
MODEL: \* ST030NVCOXS3YB000  
 SERIAL: 000000000000

CAPACITY: 30 lb 13 kg  
 SUPPLY WATER: 30-85 psi, (200-570 kPa)

200 - 240 V 50-60 Hz 7/4 A 1/3 ~  
 RECOMMENDED CIRCUIT BREAKER: 15A  
 SCHEMATIC:



OPL (Upper)



Vend (Upper)



OPL (Lower)



Vend (Lower)

STX26P

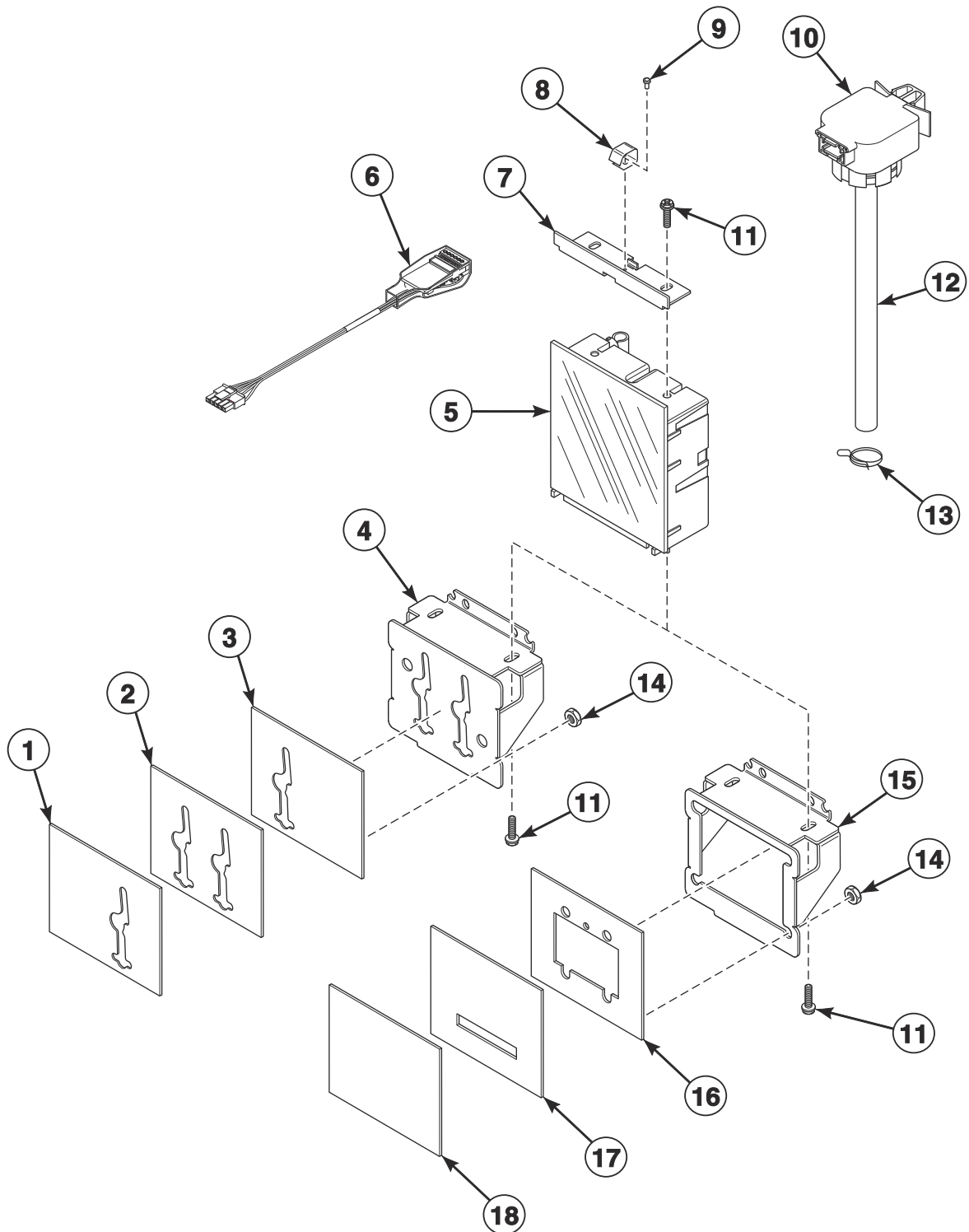


# Product Overview

REF	PART NO.	DESCRIPTION	COMMENTS
1	-	Product Family	*S
2	-	Market Approvals	A (Australia IEC) G (International) J (Japan-PSE IEC) K (Korea IEC) T (North America)
3	-	Capacity (Dry Weight in Pounds)	030 050
4	-	Heater (Tumble dryer)	D (Liquid Propane) E (Electric) L (Liquid Propane) N (Natural Gas)
5	-	Control	V (Vend) V (OPL)
6	-	Actuation	L (Central Pay) X (Prep for Coin) Y (Prep for Card) C (Single Coin) E (Electronic Drop) N (OPL)
7	-	Coin Meter	0 (Standard)
8	-	Voltage	B (100-120/50-60/1) X (200-240/50-60/1/3) P (380-415/50-60/3) D (200-208/50-60/1) E (230-240/50-60/1) F (200-208/50-60/3) G (230-240/50-60/3) H (380/50-60/3)
9	-	Door/Cylinder/Panel	S (Gravity Drain) P (Pump Drain)
10	-	Design	3
11	-	Manual Soap Dispenser	Y (Included) N (Not Included)
12	-	Plumbing/Soap Board	E (US Threads/8 Signal Board) L (Metric Threads/8 Signal Board)
13	-	Features and Options	

# Touch Control - Vend

B, H, P and S Models



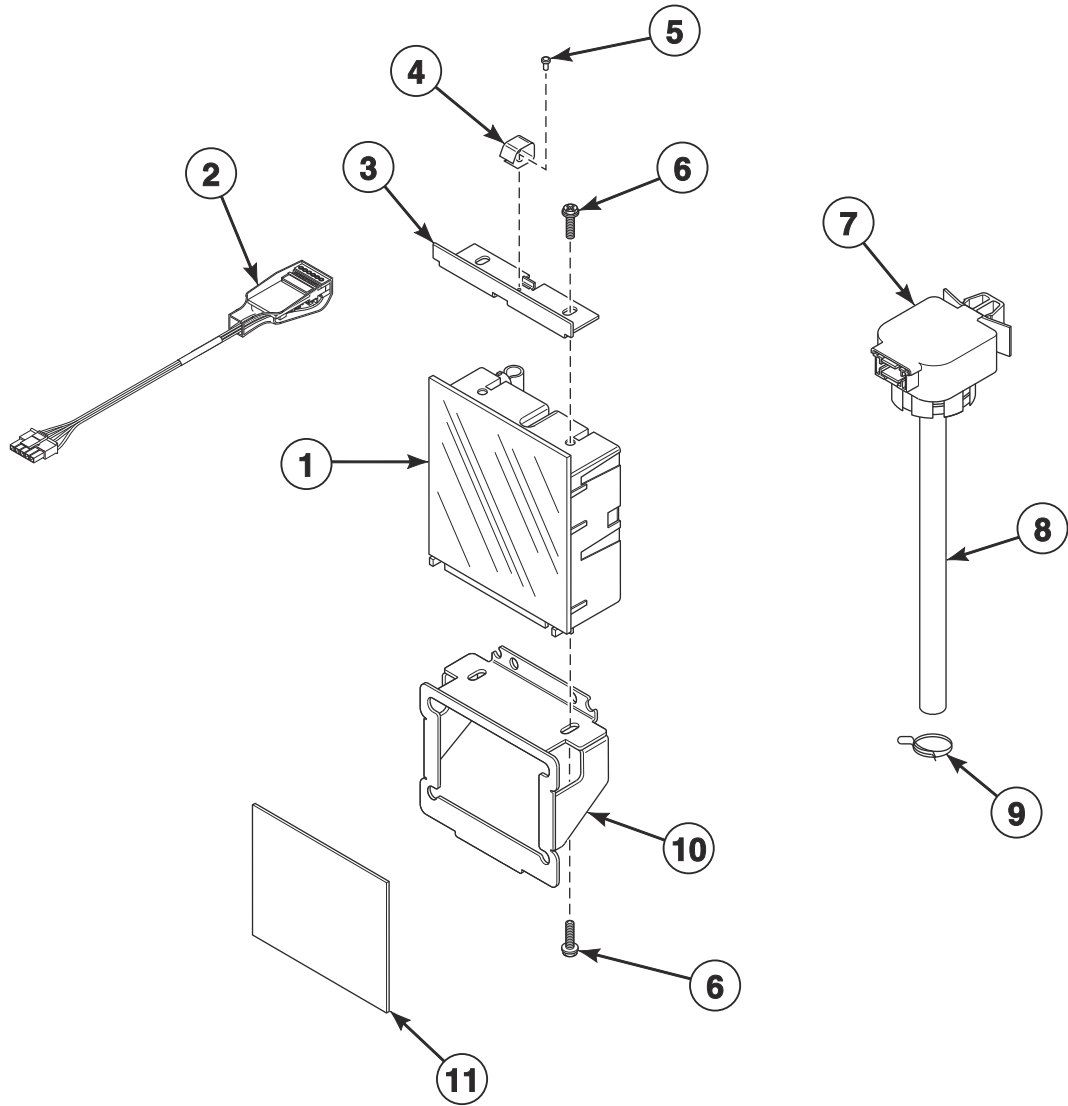
STX3P

# Touch Control - Vend

REF	PART NO.	DESCRIPTION	COMMENTS
	70577101	Vend Activation Harness	
	F8682401	Pressure Sensor Harness	
	70633801	Suction Cup	
	M411826	Snap Bushing	
	70622001	Main Harness	
	70576501P	Replacement Screen Kit	
	44334102	Coin Vault Switch Harness	
	44334103	Bypass Harness	Vault switch
	70622201	Harness	Front end control to central pay
	44374701	App Pay Overlay Kit	
<b>1</b>	70633005	Plate Assembly	Coin; Right
<b>2</b>	70633003	Plate Assembly	Dual drop
<b>3</b>	70633002	Plate Assembly	Coin; Left
<b>4</b>	70581001	Control Bracket	Lower; Coin
	70581002	Control Bracket	Lower; Card
<b>5</b>	70576201P	Control Assembly	Upper pocket
	F8746201	Control Assembly	Lower pocket
<b>6</b>	203361P	Machine ID Control Assembly	
<b>7</b>	70581101	Control Bracket	Upper
<b>8</b>	431318	Control Door Latch	2 required
<b>9</b>	M400003	Pop Rivet	
<b>10</b>	F8623401	Pressure Sensor	
<b>11</b>	203799	Screw	
<b>12</b>	203478	Tubing	
<b>13</b>	39282	Hose Clamp	
<b>14</b>	44088001	Nut	
<b>15</b>	70581002	Control Bracket	Lower; Card and central pay
<b>16</b>	70633006	Plate Assembly	Card slide
<b>17</b>	70633004	Plate Assembly	Card slot
<b>18</b>	70633001	Plate Assembly	Central pay

# Touch Control - OPL

H, S and U Models

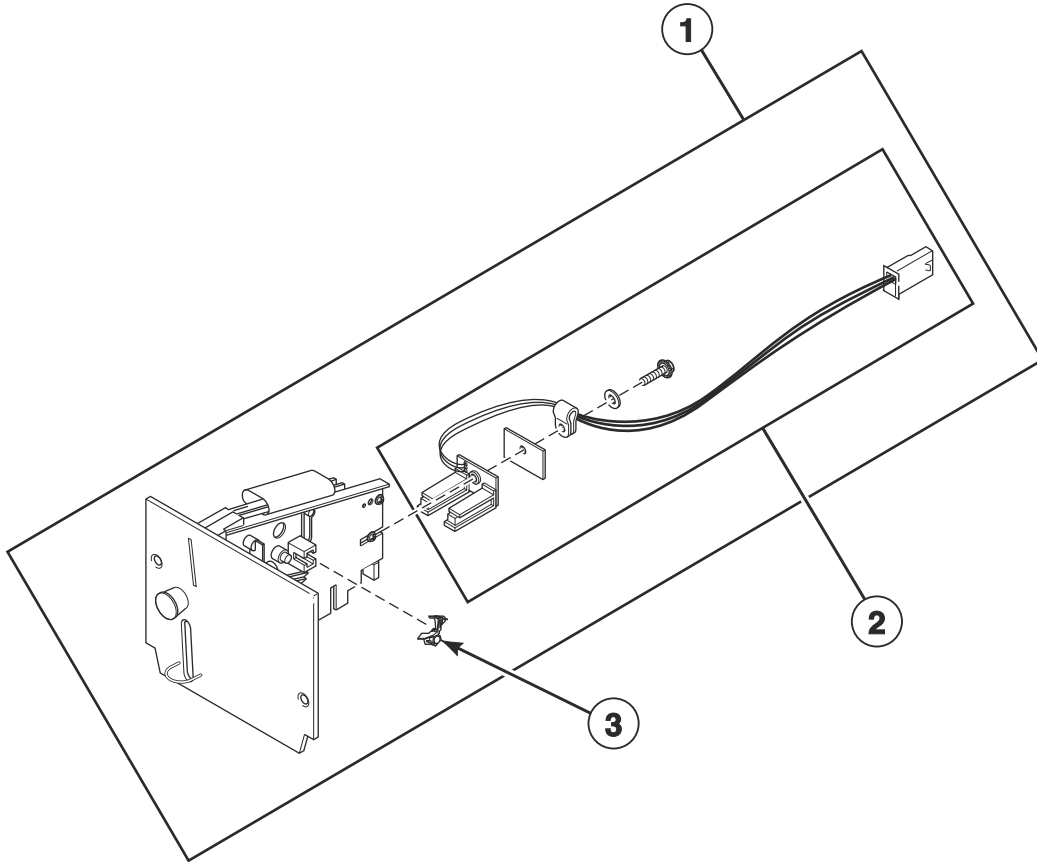


STX27P

## Touch Control - OPL

REF	PART NO.	DESCRIPTION	COMMENTS
	203440	USB-Serial Interface Assembly	
	44374701	App Pay Overlay Kit	
	70576501P	Replacement Screen Kit	
	70622001	Main Harness	
<b>1</b>	70697102	Control Assembly	
<b>2</b>	203361P	Machine ID Control Assembly	
<b>3</b>	70581101	Control Bracket	Upper
<b>4</b>	431318	Control Door Latch	2 required
<b>5</b>	M400003	Pop Rivet	
<b>6</b>	203799	Screw	
<b>7</b>	F8623401	Pressure Sensor	
<b>8</b>	203478	Tubing	
<b>9</b>	39282	Hose Clamp	
<b>10</b>	70581002	Control Bracket	Lower
<b>11</b>	70633001	Plate Assembly	

# Coin Drops

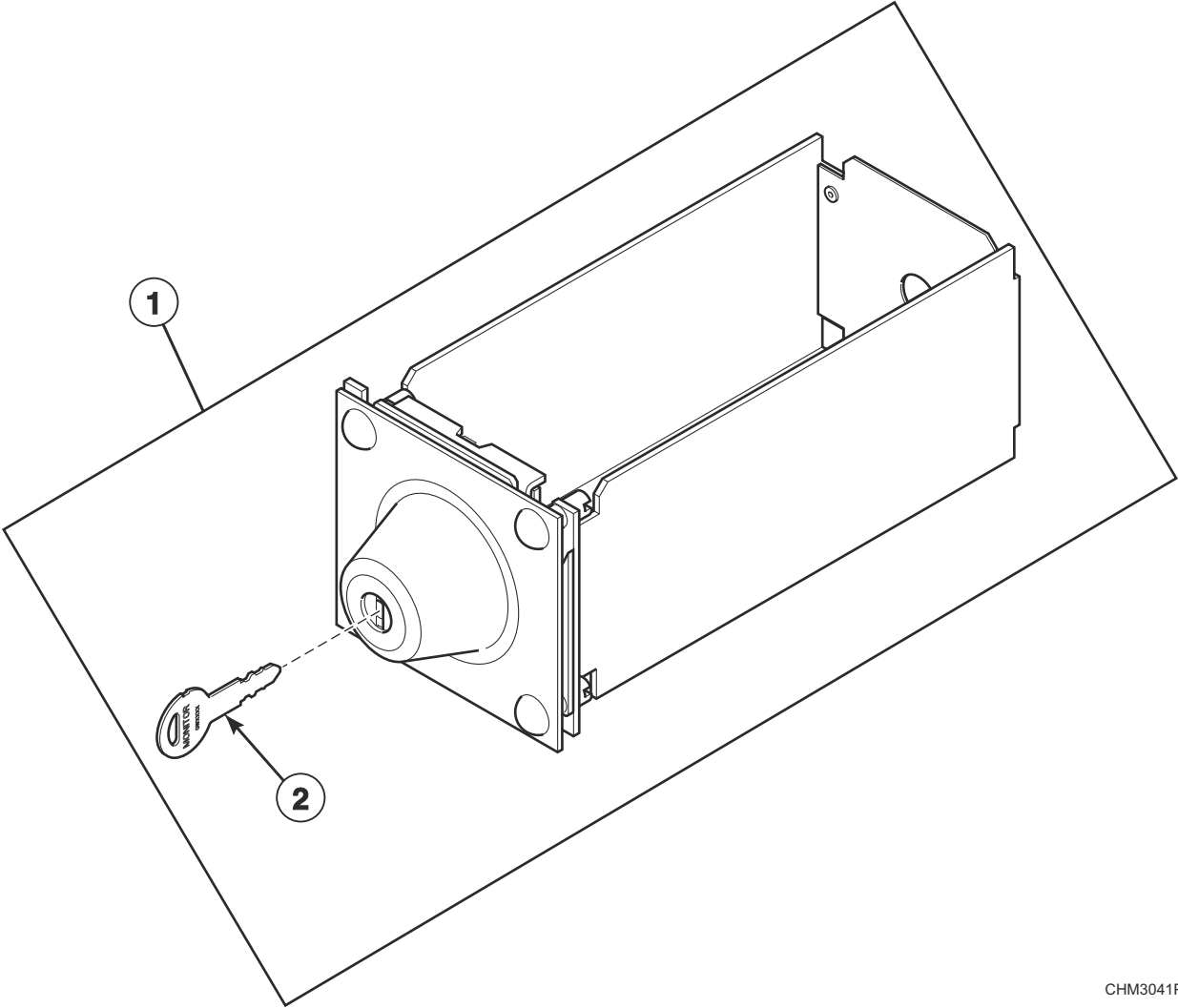


TMB3699P

# Coin Drops

REF	PART NO.	DESCRIPTION	COMMENTS
	CK115	Electronic Coin Drop Kit	United States and Canada
	CK099	Electronic Coin Drop Kit	Australia (default), New Zealand, Hong Kong, South Korea and Malaysia
	CK116	Electronic Coin Drop Kit	Malaysia (default) and China
<b>1</b>	70441601P	Coin Drop	Single; U.S.A.; \$.25
	CK077	Coin Drop Kit	Single; Taiwan; 10 NT
	70506901	Coin Drop Assembly	Single; Singapore; \$1.00 NEW
	70441603	Coin Drop	Dual; U.S.A.; \$.25 and \$1.00
	70281102	Coin Drop Assembly	Dual; Taiwan; 10 and 50 NT
	70482401	Coin Drop Assembly	Dual; New Zealand; \$1.00 and \$2.00
	70513304	Electronic Coin Drop Assembly	Australia, New Zealand, Hong Kong and South Korea coins
	70513311	Electronic Coin Drop Assembly	China and Malaysia coins
<b>2</b>	200674P	Opto Coupler	
<b>3</b>	201595P	Wire Guard	

# Optional Coin Box



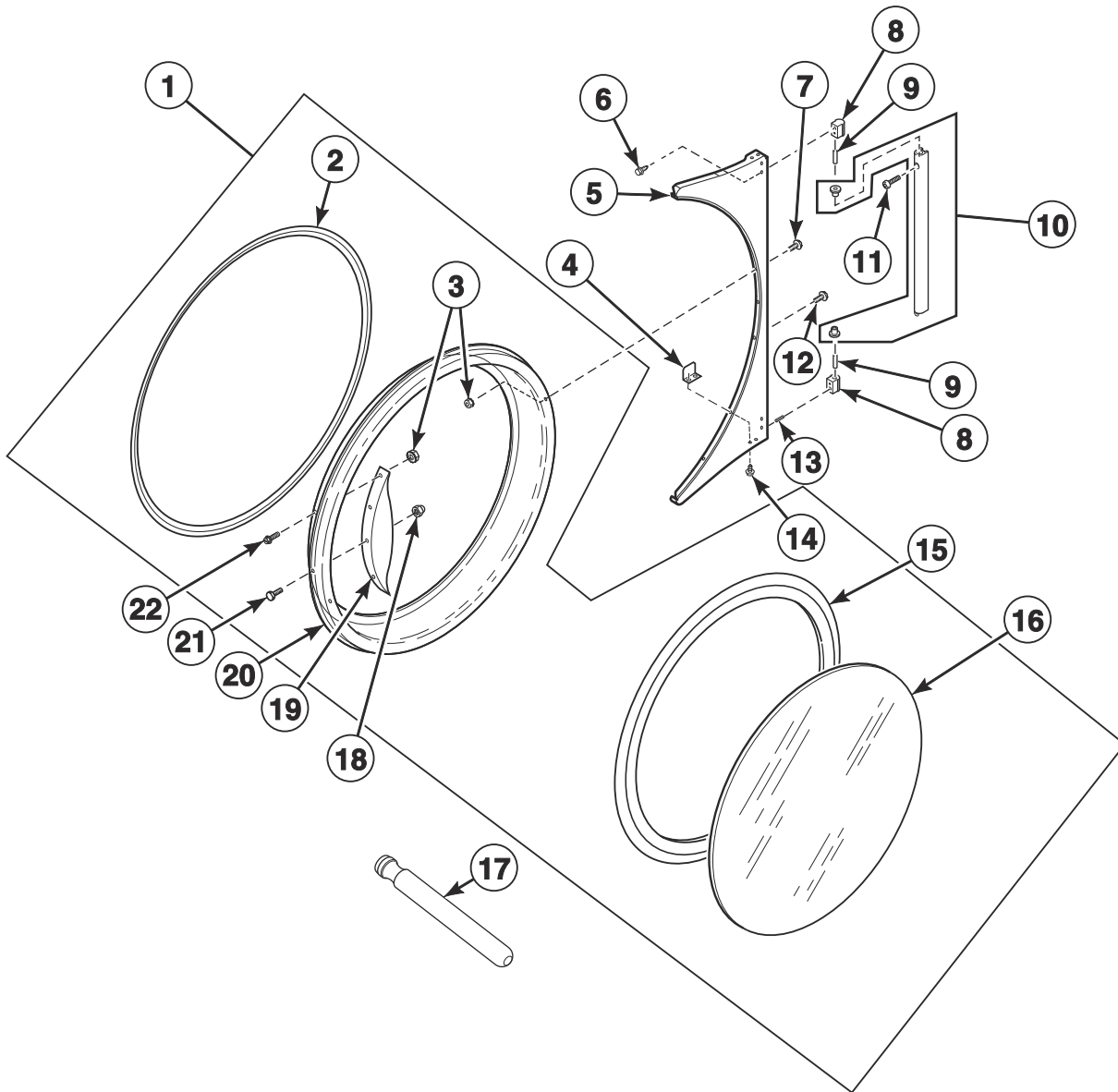
CHM3041P



# Optional Coin Box

REF	PART NO.	DESCRIPTION	COMMENTS
	F8550301	Vault Front Plate	
1	F8182001	Coin Drawer Assembly	
2	F160420	Key	

# Door and Hinge Components

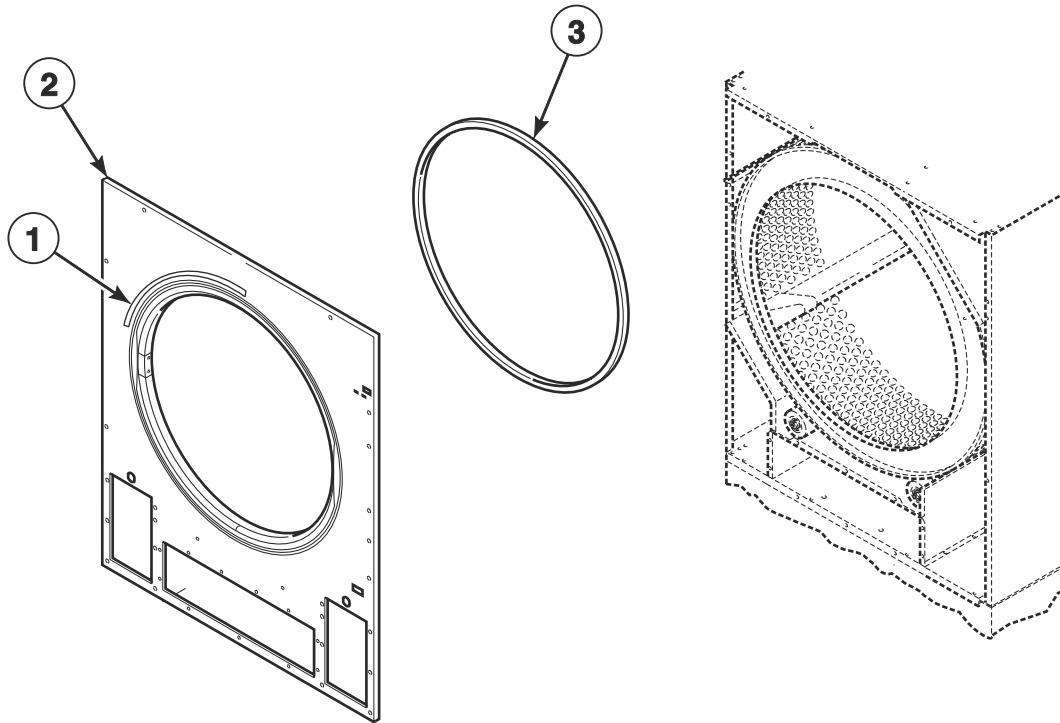


TMB3927P

## Door and Hinge Components

REF	PART NO.	DESCRIPTION	COMMENTS
1	70597702	Door Assembly	Chrome; 30 pound models
	44354702	Door Assembly	Chrome; 50 pound models
2	70296801	Door Ring Gasket	30 pound models
	44008201P	Door Ring Gasket	50 pound models
3	44088001	Nut	
4	70532101	Door Switch Actuator	Bottom
5	70595502	Door Hinge	Chrome; 30 pound models
	70596601	Door Hinge Assembly	Chrome; 50 pound models
6	70576101	Screw	
7	44349101	Screw	
8	70622401	Hinge Cam Kit	Chrome
9	70071401	Pin	
10	44035003	Door Hinge Lug Assembly	Chrome; 30 pound models
	70597602	Door Hinge Lug Assembly	Chrome; 50 pound models
11	70033502	Screw	
12	70689401	Screw	
13	70436301	Screw	
14	70058501	Pop Rivet	
15	70211901P	Door Glass Seal Kit	Use Loctite 414 for seal; 30 pound models
	70211902P	Door Seal Kit	Use Loctite 414 for seal; 50 pound models
16	M400784P	Door Glass	30 pound models
	44008401P	Door Glass	50 pound models
17	M4221P4	Door Glass Installation Tool	
18	M414215	Nut	For door strike; Mounts between door strike screw and door handle
19	44007902P	Door Handle	30 pound models
	44007901	Door Handle	50 pound models
20	70597502	Door Ring Assembly	Chrome; 30 pound models
	44354802	Door Ring Assembly	Chrome; 50 pound models
21	M400661	Screw	Door strike
22	70442101	Screw	

# Upper Front Panel Assemblies

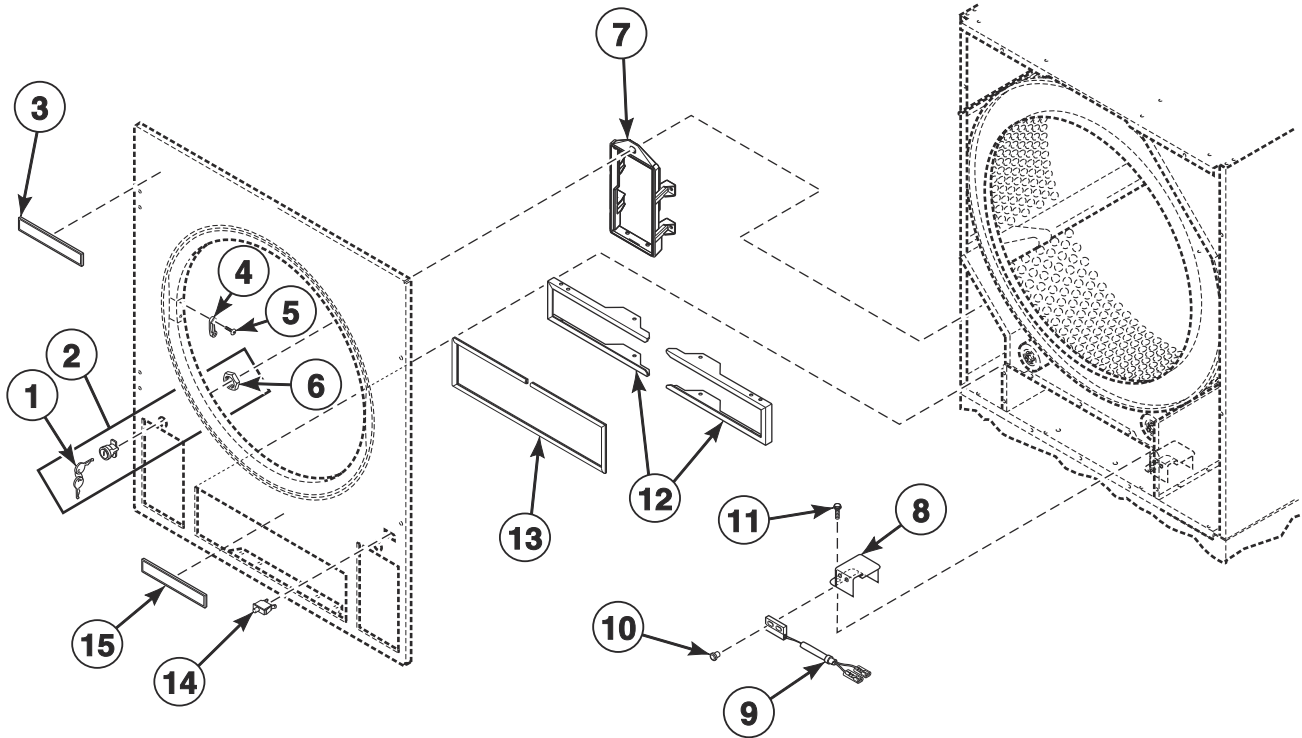


STX28P

## Upper Front Panel Assemblies

REF	PART NO.	DESCRIPTION	COMMENTS
	70289101P	Gasket	Sold per foot; Used behind item 1
<b>1</b>	70534301	Warning Label	English
	70534302	Warning Label	French
	70534300	Label Kit	Warning; IEC models
<b>2</b>	70704104	Upper Front Panel Assembly	Stainless steel; 30 pound models
	70704204	Upper Front Panel Assembly	Stainless steel; 50 pound models
<b>3</b>	70173401P	Front Panel Seal	Requires D511637P Adhesive; 30 pound models
	70173402	Front Cylinder Seal	Requires D511637P Adhesive; 50 pound models

# Cabinet Front Components

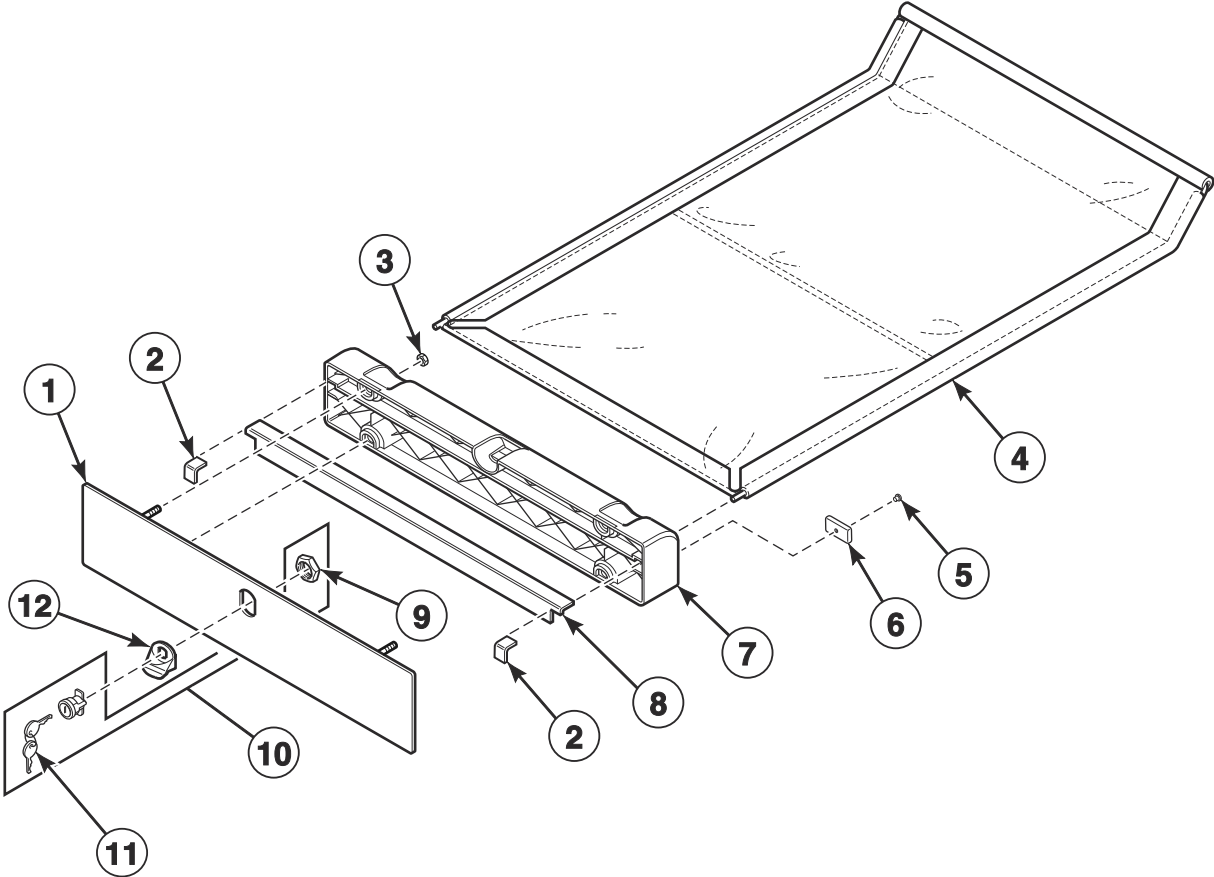


STX23P

## Cabinet Front Components

REF	PART NO.	DESCRIPTION	COMMENTS
	70482901	Door Catch Kit	
1	70155601	Key	RL001
2	44089301P	Lock, Key and Nut Kit	RL001
3	F8443105	Nameplate	U models
4	M401223	Door Latch	
5	44166601	Pop Rivet	2 required for item 4
6	44088801	Nut	Panel lock
7	70642001	Control Bezel	
8	70606301	Reed Switch Box	
9	F8066804	Reed Switch Assembly	
10	F8245101	Blind Rivet	
11	430497	Screw	
12	70605701	Lint Seal Shoulder Bracket	
13	70593901	Lint Box Gasket	
14	70413301	Pushbutton Switch	Door switch
15	F8688901	Nameplate	S models
	F8688001	Nameplate	H models
	567887	Nameplate	P models
	F8754301	Nameplate	B models

# Lint Drawer Components



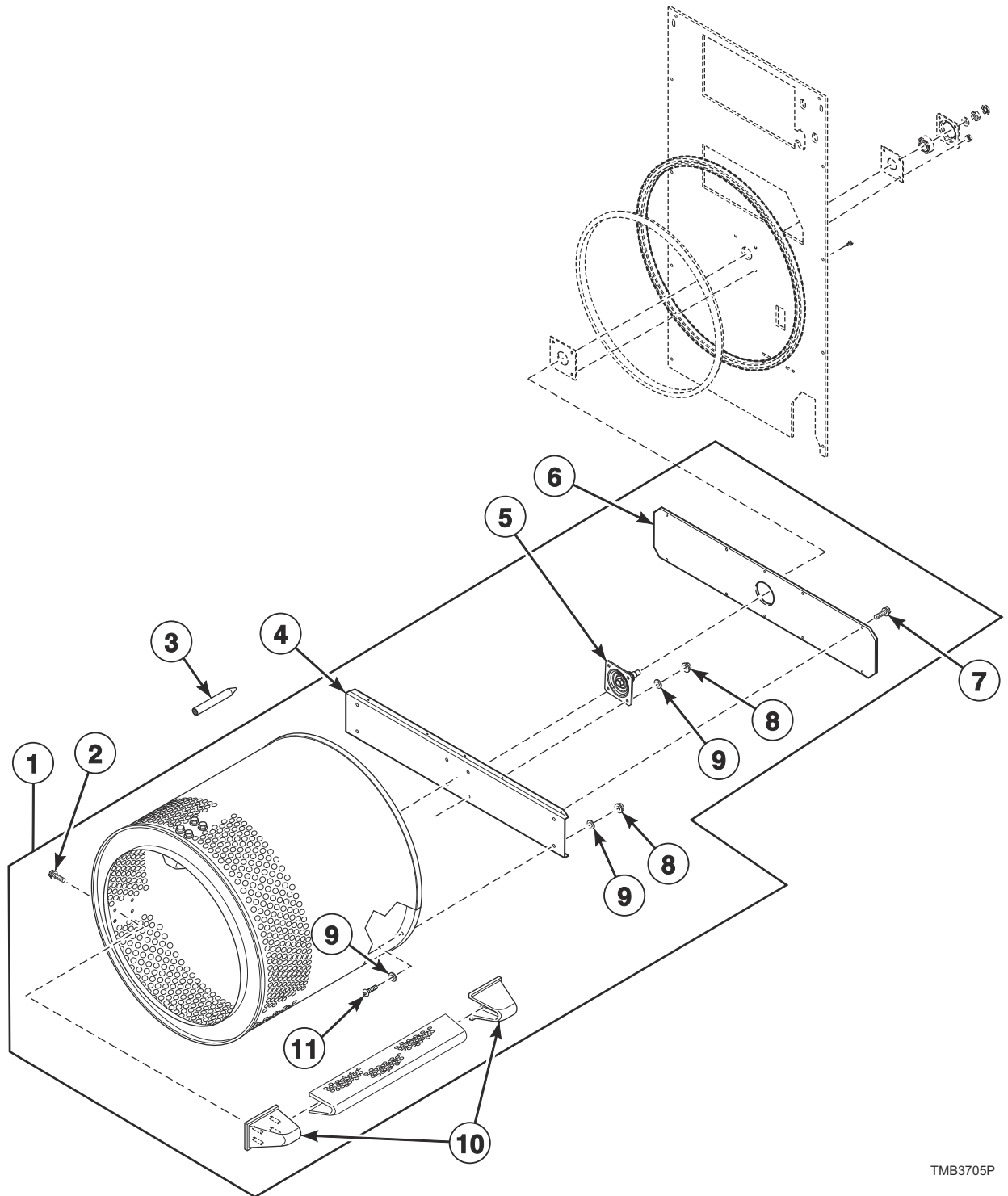
TMB3813P



## Lint Drawer Components

REF	PART NO.	DESCRIPTION	COMMENTS
	70598101	Foam Gasket	
	430497	Screw	
<b>1</b>	70567401	Lint Front Assembly	30 pound models
	70588101	Lint Front Assembly	50 pound models
<b>2</b>	70605601	Lint Screen Shim	
<b>3</b>	44087101	Nut	
<b>4</b>	70596102	Lint Screen Assembly	30 pound models
	70596101	Lint Screen Assembly	50 pound models
<b>5</b>	F8245101	Blind Rivet	
<b>6</b>	70343101	Magnet	
<b>7</b>	70598201	Lint Door Support	30 pound models
	70594401	Lint Door Support	50 pound models
<b>8</b>	70595702	Lint Screen Bracket	30 pound models
	70595701	Lint Screen Bracket	50 pound models
<b>9</b>	44088801	Nut	
<b>10</b>	70722301	Lock, Key and Nut Kit	RL002; Black
	70399201	Panel Latch	No lock
<b>11</b>	70155602	Key	RL002
<b>12</b>	70642201	Lock Pull	Vend

# Cylinder and Trunnion Components

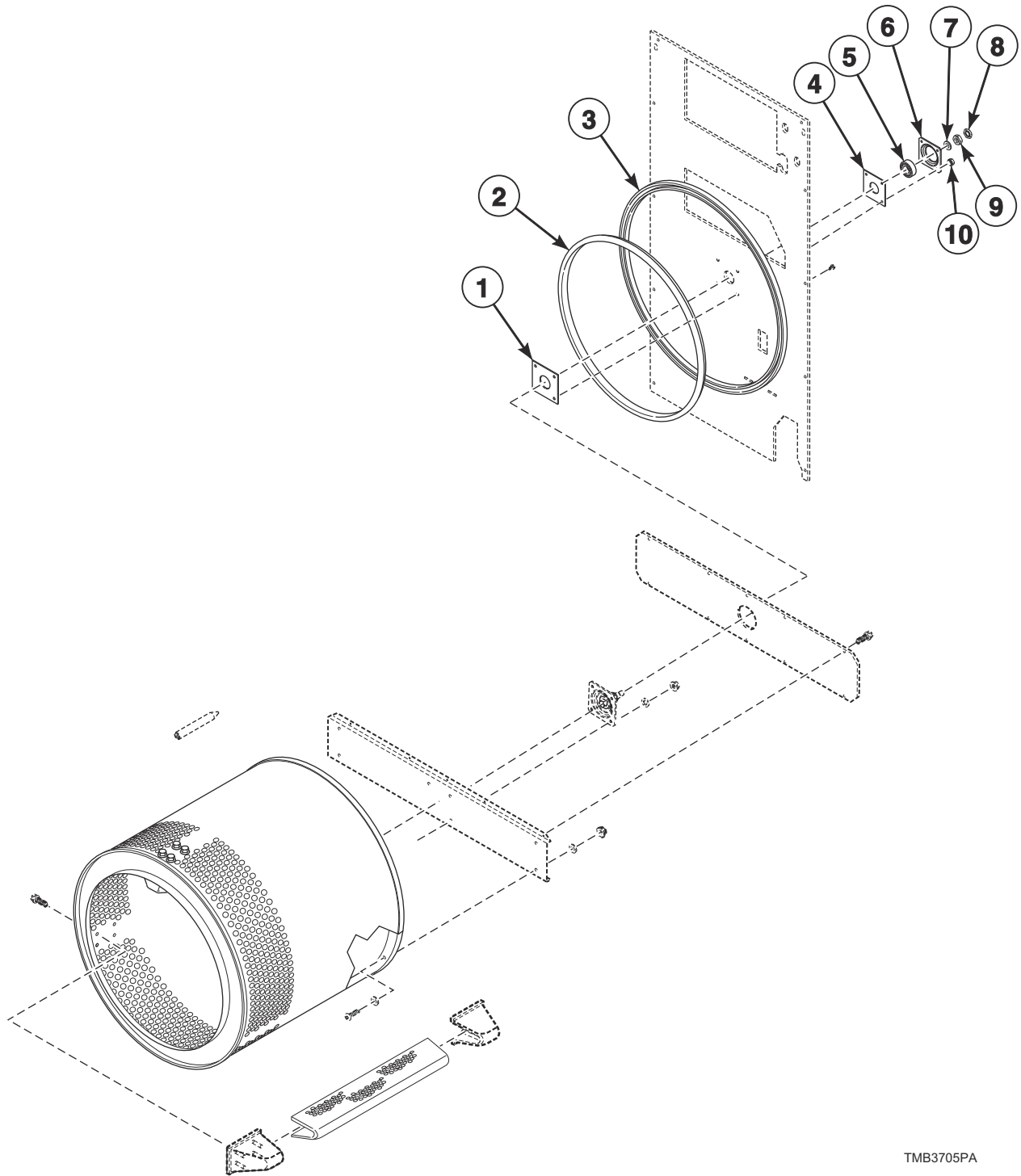


TMB3705P

## Cylinder and Trunnion Components

REF	PART NO.	DESCRIPTION	COMMENTS
	70343101P	Drywall Screw Magnet Kit	Includes 6 magnets and 6 screws
1	70372502P	Cylinder Assembly	Stainless steel; 30 pound models
	70372902P	Cylinder Assembly	Stainless steel; 50 pound models
2	62588	Screw	
3	263P4	Cylinder Guide Tool	
4	70257101	Rear Cylinder Channel	30 pound models
	70305201	Rear Cylinder Channel	50 pound models
5	70564803	Trunnion and Seal Kit	30 pound models
	70564805	Trunnion and Seal Kit	50 pound models
6	70257201	Rear Cylinder Channel Plate	30 pound models
	70305301	Rear Cylinder Channel Plate	50 pound models
7	430497	Screw	10 required
8	M412986	Nut	
9	70411301	Washer	
10	70070101	End Cap	
11	70391101	Screw	8 required

# Bearing Components

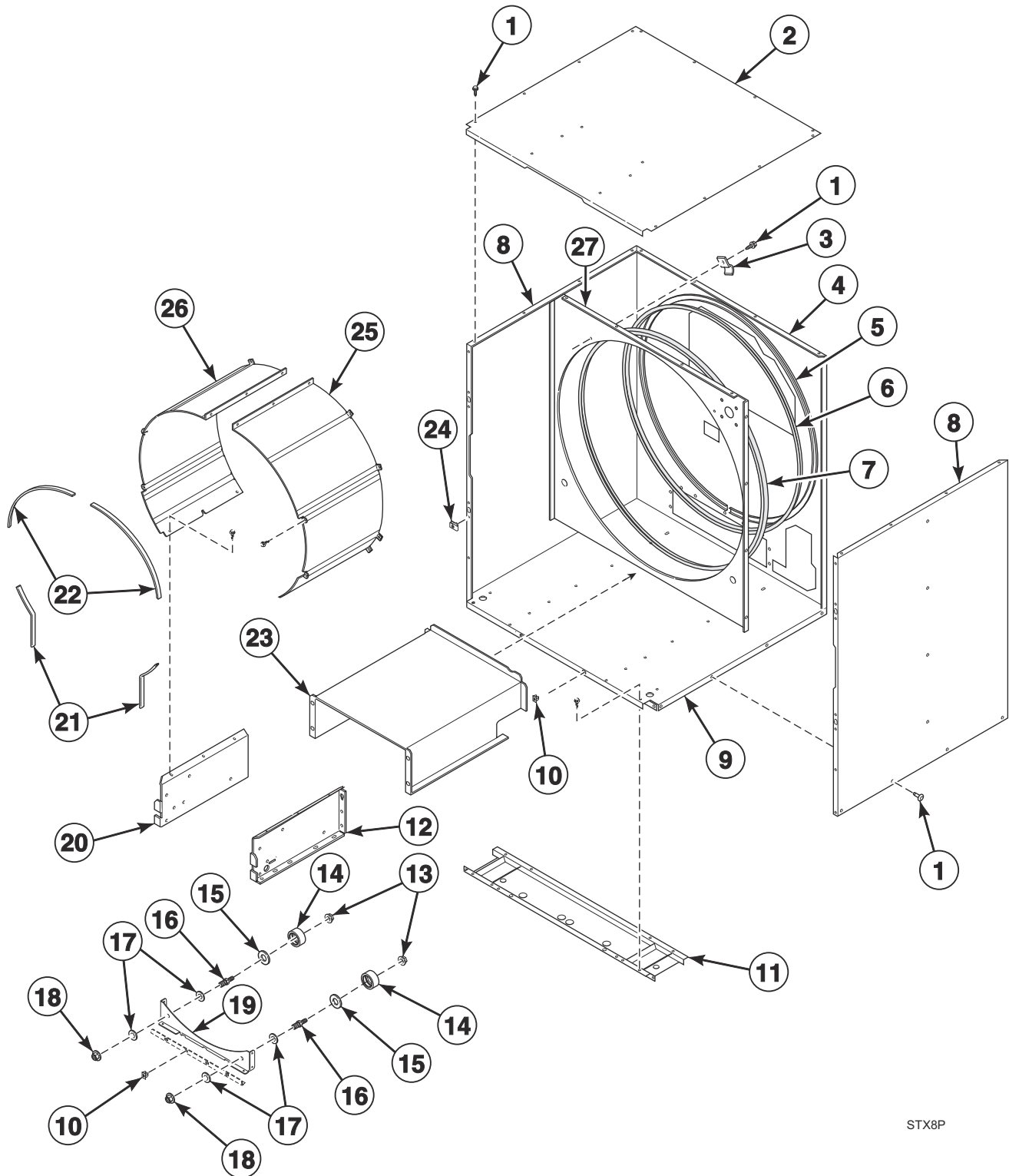


TMB3705PA

# Bearing Components

REF	PART NO.	DESCRIPTION	COMMENTS
1	430352	Cylinder Bearing Stud Plate Assembly	
2	70013701P	Rear Cylinder Seal	Requires D511637P Adhesive; 30 pound models
	70013703P	Rear Cylinder Seal	Requires D511637P Adhesive; 50 pound models
3	70506402	Rear Cylinder Seal Support	30 pound models
	70506403	Rear Cylinder Seal Support	50 pound models
4	70355001	Rear Bearing Shim	
5	70448701	Support Bearing	
6	70013901	Rear Cylinder Bearing Housing	
7	M400991	Washer	
8	M400034	Nut	
9	M400022	Nut	
10	M412986	Nut	

# Cabinet Components - 30 Pound Models

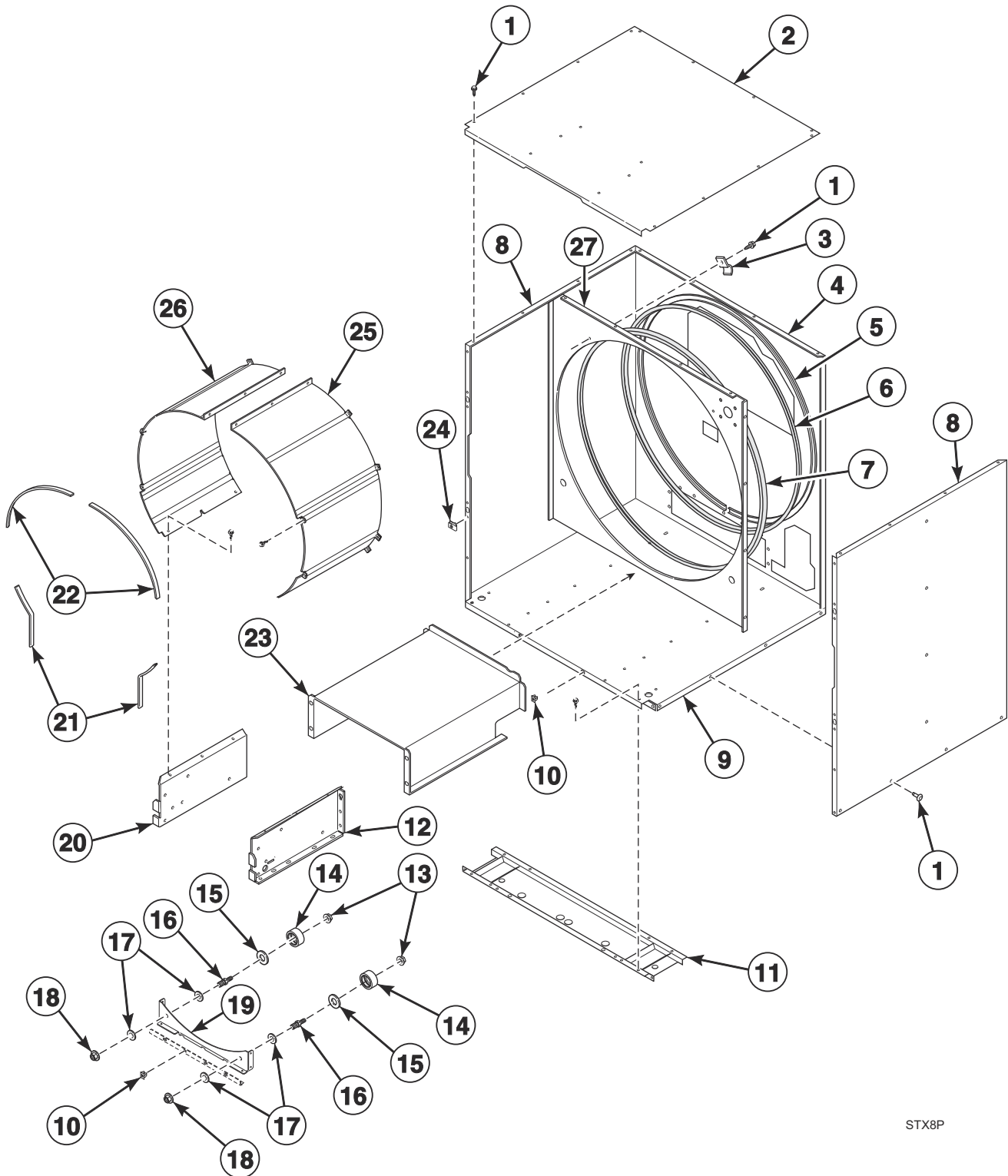


STX8P

## Cabinet Components - 30 Pound Models

REF	PART NO.	DESCRIPTION	COMMENTS
	298P4P	Spray Paint	White
	122P4P	Porcelain Touch-Up Paint	White
	430352	Cylinder Bearing Stud Plate Assembly	
	70058501	Pop Rivet	
	70301101	Wire Channel	
<b>1</b>	430497	Screw	
<b>2</b>	70339601	Top Panel	Upper pocket
<b>3</b>	70226701	Clip	
<b>4</b>	70616601	Rear Panel	Gas models
	70616602	Rear Panel	Electric models
<b>5</b>	70506402	Rear Cylinder Seal Support	
<b>6</b>	70013701P	Rear Cylinder Seal	Requires D511637P Adhesive
<b>7</b>	70066003	Center Cylinder Seal	Includes center cylinder seal support and center cylinder seal
<b>8</b>	70663301W	Side Panel	
<b>9</b>	70606001	Center Pan	Lower pan of top pocket
<b>10</b>	70030501	Expansion Clip	
<b>11</b>	70606101	Center Pan Channel	Located under center pan
<b>12</b>	70573701	Front Air Duct	Right
<b>13</b>	430576	Nut	
<b>14</b>	70616701	Roller and Seal Kit	
<b>15</b>	70443601	Roller Seal	
<b>16</b>	70249501	Roller Shaft	
<b>17</b>	70261401	Washer	
<b>18</b>	70288801	Nut	
<b>19</b>	70584901	Roller Support Bracket	
<b>20</b>	70573702	Front Air Duct	Left
<b>21</b>	70015711	Sheet Metal Edge Gasket	Lower
<b>22</b>	70015712	Sheet Metal Edge Gasket	Upper
<b>23</b>	70580801	Air Duct	Rear
<b>24</b>	70030401	Nut	
<b>25</b>	70339301	Cylinder Shroud	Right
<b>26</b>	70339302	Cylinder Shroud	Left
<b>27</b>	70639201	Center Partition	

# Cabinet Components - 50 Pound Models



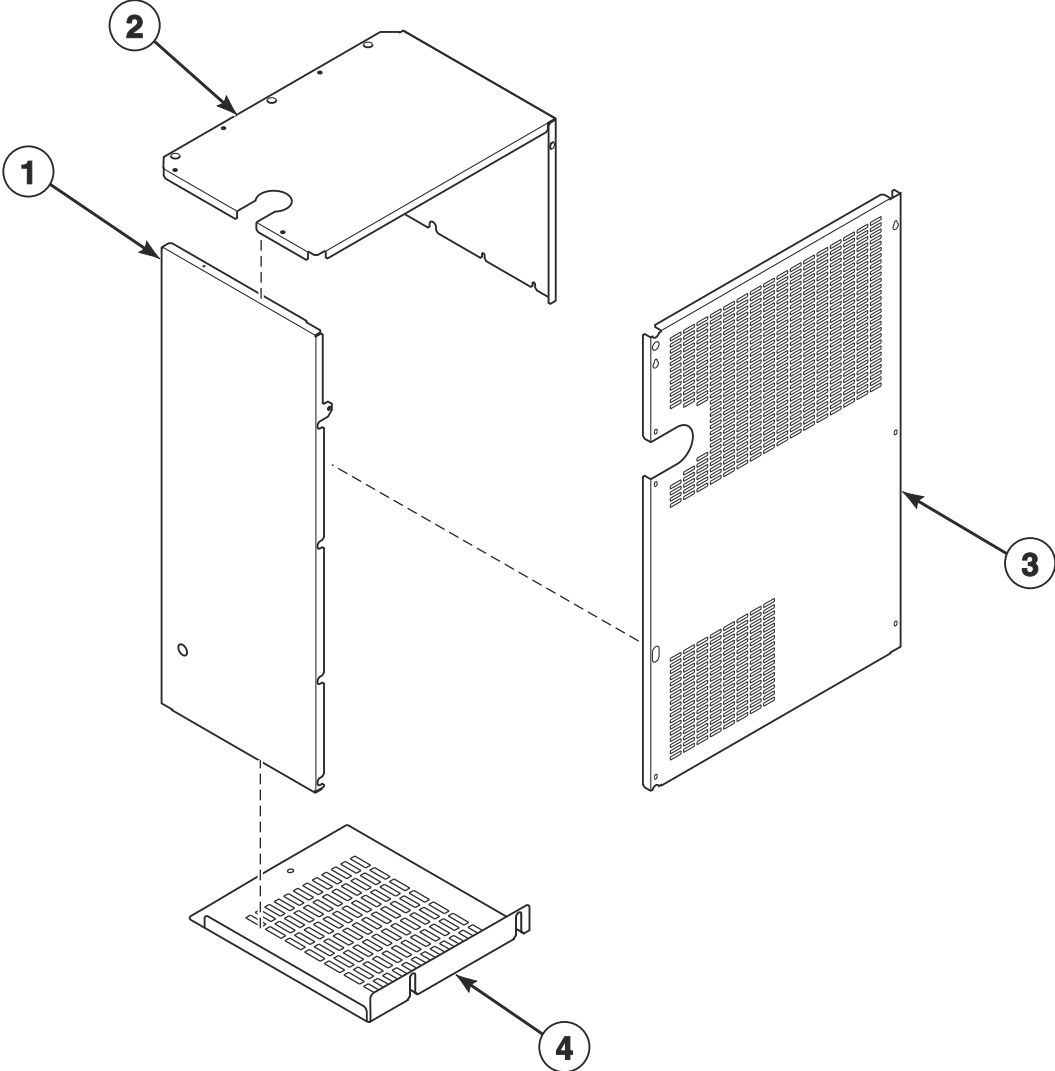
STX8P



## Cabinet Components - 50 Pound Models

REF	PART NO.	DESCRIPTION	COMMENTS
	298P4P	Spray Paint	White
	122P4P	Porcelain Touch-Up Paint	White
	430352	Cylinder Bearing Stud Plate Assembly	
	70058501	Pop Rivet	
	70301101	Wire Channel	
<b>1</b>	430497	Screw	
<b>2</b>	70302101	Top Panel	Upper pocket
<b>3</b>	70226701	Clip	
<b>4</b>	70627201	Rear Panel	
<b>5</b>	70506403	Rear Cylinder Seal Support	
<b>6</b>	70013703P	Rear Cylinder Seal	Requires D511637P Adhesive
<b>7</b>	70066005	Center Cylinder Seal	Includes center cylinder seal support and center cylinder seal
<b>8</b>	70663401W	Side Panel	
<b>9</b>	70606701	Center Pan	Lower pan of top pocket
<b>10</b>	70030501	Expansion Clip	
<b>11</b>	70606801	Center Pan Channel	Located under center pan
<b>12</b>	70588301	Front Air Duct	Right
<b>13</b>	430576	Nut	
<b>14</b>	70616701	Roller and Seal Kit	
<b>15</b>	70443601	Roller Seal	
<b>16</b>	70249501	Roller Shaft	
<b>17</b>	70261401	Washer	
<b>18</b>	70288801	Nut	
<b>19</b>	70588901	Roller Support Bracket	
<b>20</b>	70588302	Front Air Duct	Left
<b>21</b>	70015707	Sheet Metal Edge Gasket	Lower
<b>22</b>	70015708	Sheet Metal Edge Gasket	Upper
<b>23</b>	70588601	Air Duct	Rear
<b>24</b>	70030401	Nut	
<b>25</b>	70301901	Cylinder Shroud	Right
<b>26</b>	70301902	Cylinder Shroud	Left
<b>27</b>	70639101	Center Partition	

# Rear Panels

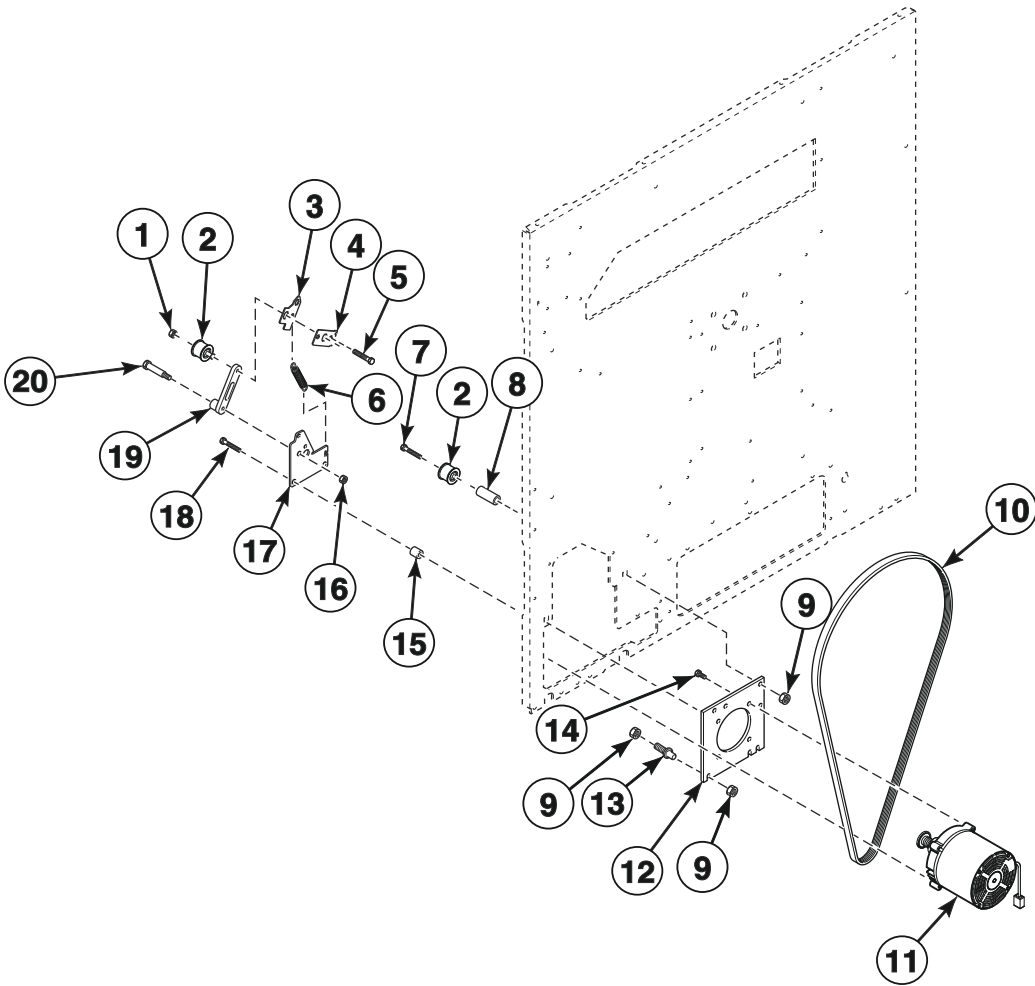


STX29P

## Rear Panels

REF	PART NO.	DESCRIPTION	COMMENTS
	430497	Screw	Use with item 1
	70030501	Expansion Clip	Use with item 1
	51780	Screw	Use with item 4
	F8206901	Screw	Use with item 3
	70626201	Guard Bracket	Upper
	70650901	Rear Cover	Electric models
<b>1</b>	70667301	Side Guard	30 pound models
	70667401	Side Guard	50 pound models
<b>2</b>	70616001	Rear Guard	Top; 30 pound gas models
	70616002	Rear Guard	Top; 30 pound electric models
	70627401	Rear Guard	Top; 50 pound models
<b>3</b>	70633601	Rear Guard	30 pound gas models
	70633602	Rear Guard	30 pound electric models
	70627701	Rear Guard	50 pound models
<b>4</b>	70667101	Bottom Guard	30 pound models
	70667201	Bottom Guard	50 pound models

# Drive Motor Components

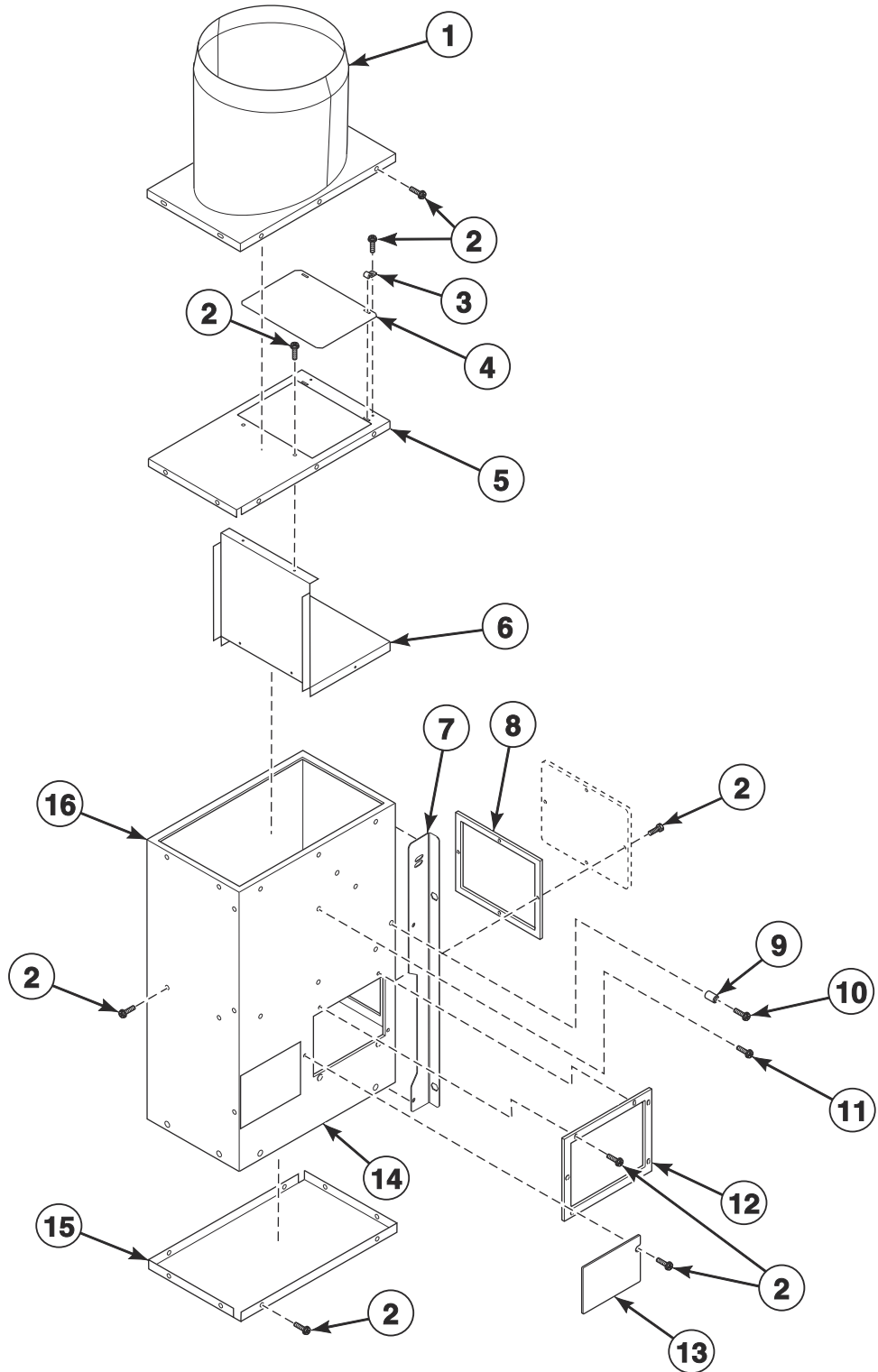


TMB3969P

## Drive Motor Components

REF	PART NO.	DESCRIPTION	COMMENTS
1	56156	Nut	
2	70050401P	Idler Wheel Assembly	
3	70569501	Tensioning Bracket	
4	70543401	Spring Catch Bracket	
5	70508301	Screw	
6	70571801	Spring	
7	F430144	Screw	
8	70569603	Standoff	
9	44087201	Nut	
10	70655102	Lever Arm and Belt Kit	30 pound models
	70655103	Lever Arm and Belt Kit	50 pound models
11	44355001	Drive Motor	.50 HP; 120-240 Volt
	44355002	Drive Motor	.50 HP; 480 Volt
12	70564201	Motor Mount Plate	
13	70334701	Double Ended Stud	
14	44364603	Screw	3 required; Also qty 1 of 44364601 screw
15	70488403	Spacer	
16	44087301	Nut	
17	70571901	Drive Plate	
18	70546301	Screw	
19	70653801	Lever Arm and Bushing Assembly	
20	70501301	Screw	

# Exhaust Components

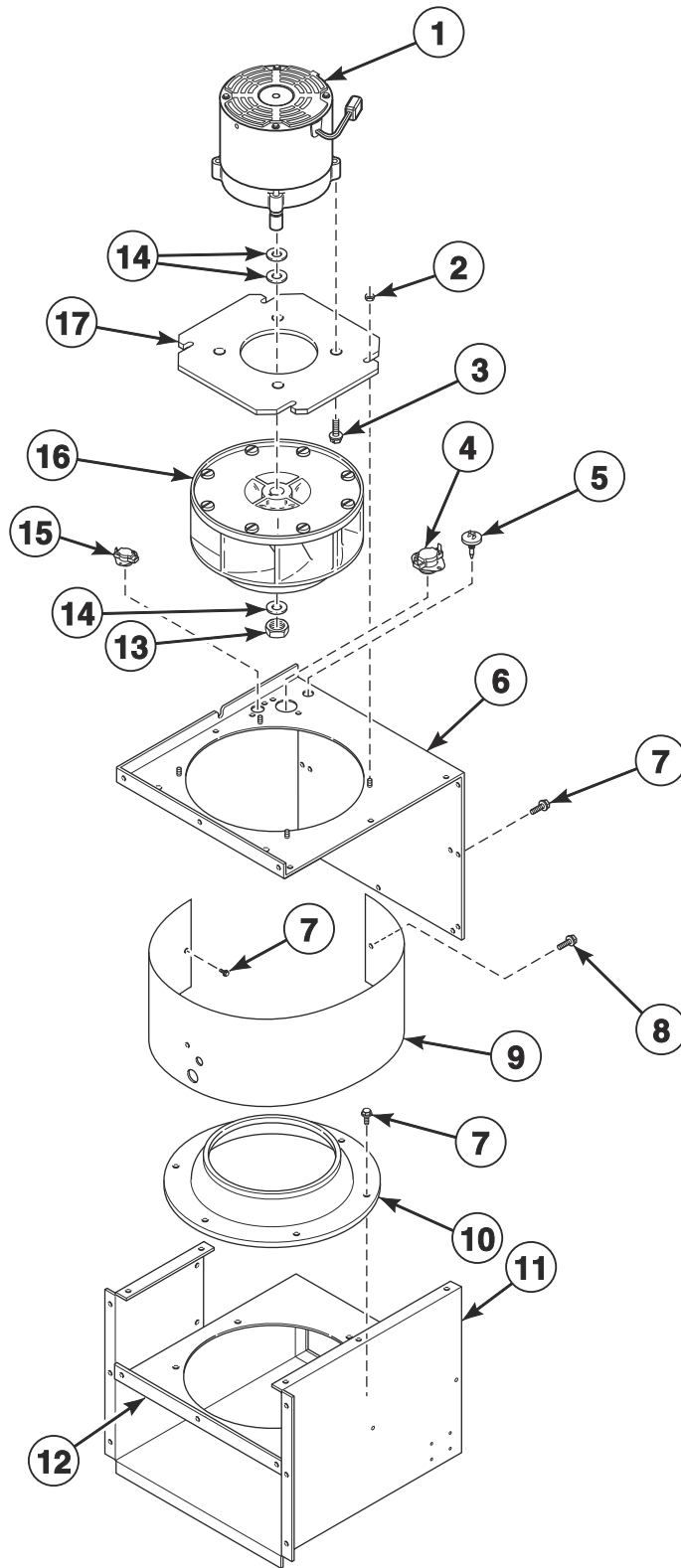


STX30P

# Exhaust Components

REF	PART NO.	DESCRIPTION	COMMENTS
	70669203	Exhaust Assembly	30 pound models; 3 phase
	70669204	Exhaust Assembly	30 pound electric models; 1 phase
	70644102	Exhaust Assembly	50 pound models
	70289101P	Gasket	Sold per foot
	70478101	Duct Cover	30 pound electric models; 1 phase
	70478001	Exhaust Adapter	6 inch to 4 inch; 30 pound electric models; 1 phase
<b>1</b>	44154301	Exhaust Pipe	30 pound models; 3 phase
	70425801	Exhaust Pipe Assembly	50 pound models; 3 phase
<b>2</b>	430497	Screw	
<b>3</b>	70226701	Clip	2 required
<b>4</b>	70343501	Duct Damper	30 pound models
	70307301	Duct Damper	50 pound models
<b>5</b>	70669101	Exhaust Duct Damper Plate	30 pound models
	70644001	Exhaust Duct Damper Plate	50 pound models
<b>6</b>	70302601	Exhaust Duct Partition	50 pound models
<b>7</b>	70669301	Rear Guard Bracket	30 pound models
	70669401	Rear Guard Bracket	50 pound models
<b>8</b>	70340403	Exhaust Duct Gasket	30 pound models
	70302803	Exhaust Duct Gasket	50 pound models
<b>9</b>	56079	Panel Locator	2 required
<b>10</b>	70275801	Screw	2 required
<b>11</b>	70069901	Screw	
<b>12</b>	70340402	Blower Housing Outlet Gasket	30 pound models
	70302802	Blower Housing Outlet Gasket	50 pound models
<b>13</b>	70340404	Exhaust Duct Pad	30 pound models
	70302804	Exhaust Duct Pad	50 pound models
<b>14</b>	70668901	Exhaust Duct	30 pound models; Right
	70643701	Exhaust Duct	50 pound models; Right
<b>15</b>	F8690401	Exhaust Duct Cover	30 pound models; Bottom
	70643901	Exhaust Duct Cover	50 pound models; Bottom
<b>16</b>	70669001	Exhaust Duct	30 pound models; Left
	70643801	Exhaust Duct	50 pound models; Left

# Blower Components



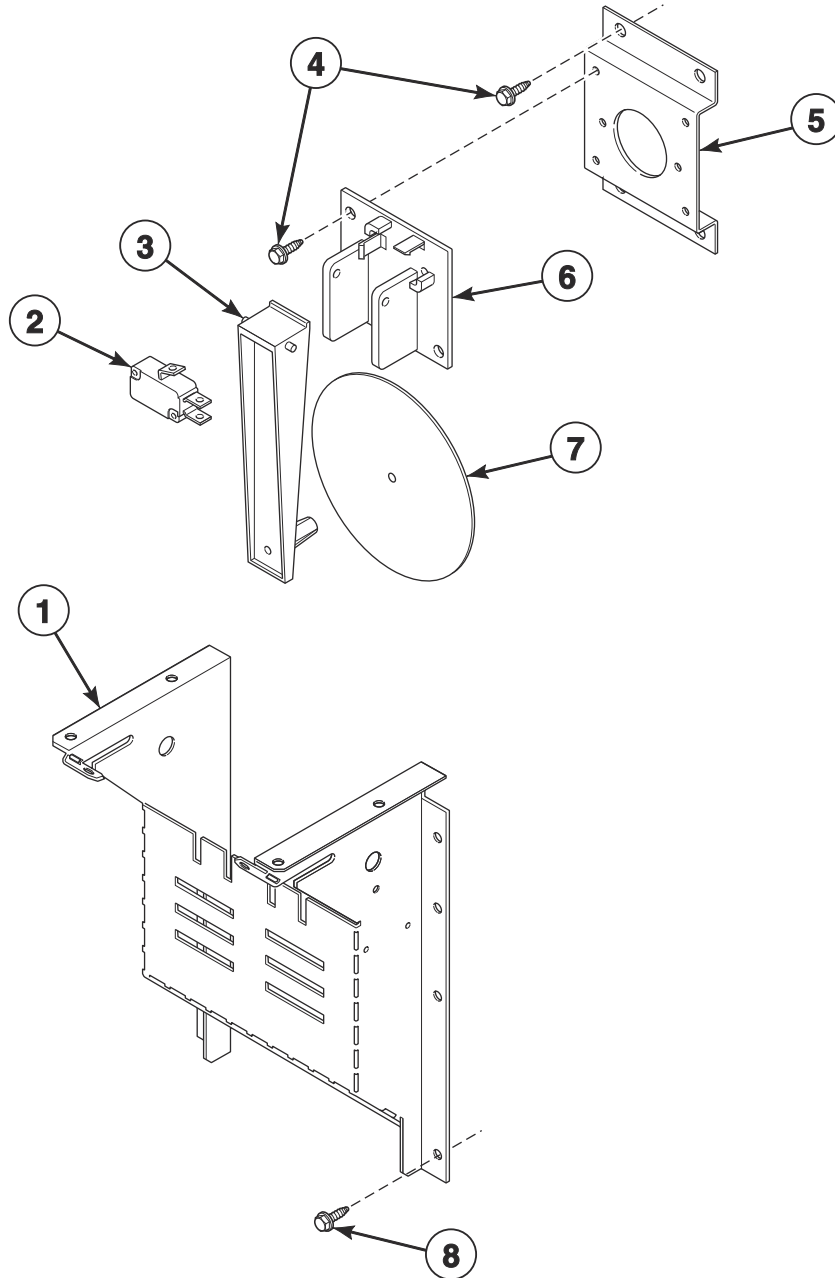
STX34P



# Blower Components

REF	PART NO.	DESCRIPTION	COMMENTS
	70392701P	Gasket	For blower housing opening
1	44354901	Fan Motor	.50 HP; 240 Volt
	44354903	Fan Motor	.50 HP; 480 Volt
2	29786	Nut	4 required
3	44364601	Screw	4 required
4	44328001	Limit Thermostat	
5	M414704	Thermistor	
6	70341403	Blower Housing Cover Assembly	30 pound models
	70322803	Blower Housing Cover Assembly	50 pound models
7	51780	Screw	
8	430497	Screw	12 required
9	70340801	Blower Housing Scroll	
10	70014101	Blower Inlet Cone	30 pound models
	70303101	Blower Inlet Cone	50 pound models
11	70665801	Blower Housing	30 pound models
	70665901	Blower Housing	50 pound models
12	70340701	Blower Inlet Plate	30 pound models
	70303001	Blower Inlet Plate	50 pound models
13	70688901	Nut	
14	M400991	Washer	3 required
15	70530901	Limit Thermostat	
16	70359801P	Blower Assembly	30 pound models
	70302201P	Blower Assembly	50 pound models
17	70341001	Blower Motor Mounting Plate	

# Airflow Switch

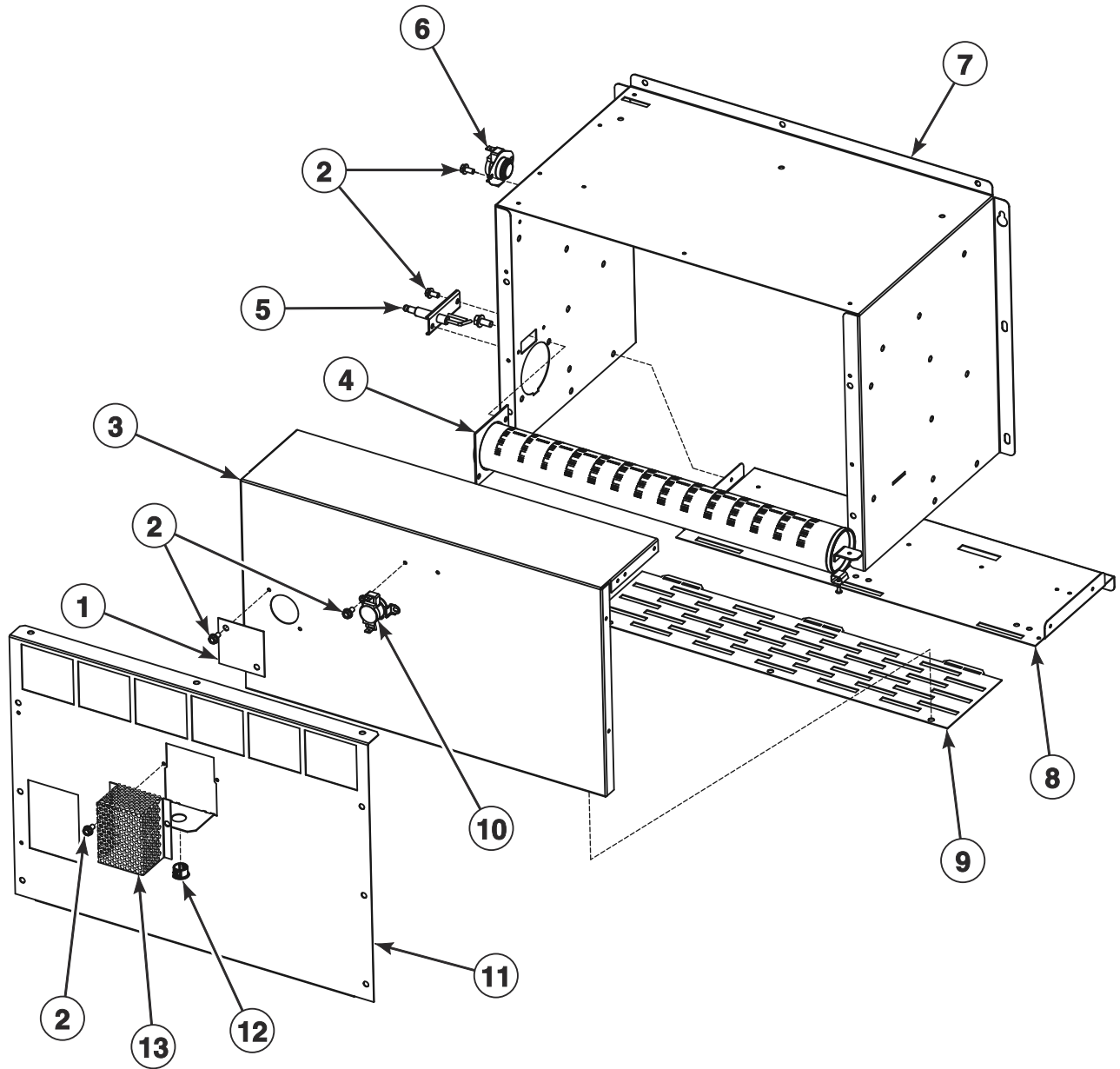


TMB3799P

# Airflow Switch

REF	PART NO.	DESCRIPTION	COMMENTS
	70429601P	Airflow Switch Kit	Includes items 2-4, 6 and 7
1	70356101	Airflow Switch Wrapper	
2	70411901	Switch	
3	70319401	Airflow Switch Arm	
4	430757	Screw	
5	70356301	Switch Bracket	
6	70319602	Airflow Switch and Arm Bracket	
7	70319201	Airflow Switch Vane	
8	430497	Screw	

# Gas Burner Housing and Secondary Stove Limit

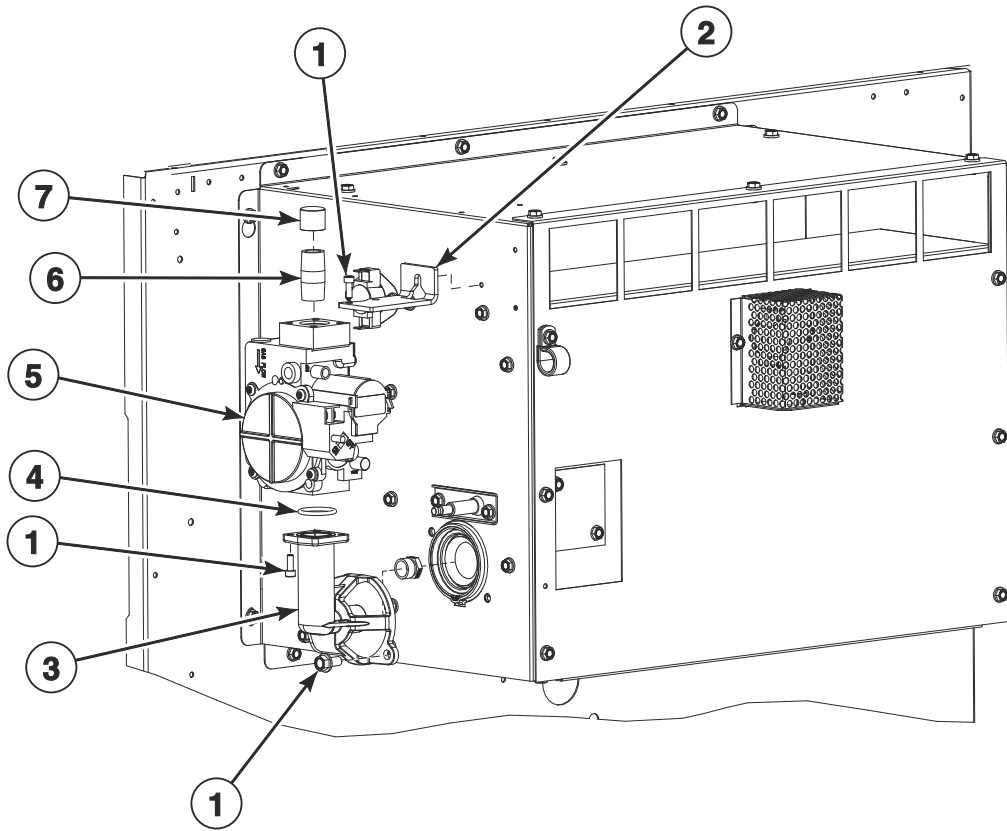


TMB3878P

## Gas Burner Housing and Secondary Stove Limit

REF	PART NO.	DESCRIPTION	COMMENTS
	44239701	High Voltage Suppression Cable	
	70613801	Stove Limit Harness	Use 70203701 Pipe Clip to secure
<b>1</b>	70159601	Igniter Cover	
<b>2</b>	430497	Screw	
<b>3</b>	70306101	Stove Partition	
<b>4</b>	70229801P	Gas Burner	
	70546701	Anti-Rattle Burner Assembly	Includes 70229801P Gas Burner, 431318 Control Door Latch and M400003 Pop Rivet
<b>5</b>	70654201	Spark Electrode	
<b>6</b>	44328005	Limit Thermostat	Side
<b>7</b>	70647101	Stove Top and Sides	30 pound models
	70647801	Stove Top and Sides	50 pound models
<b>8</b>	70652401	Stove Cover	Lower; 30 pound models
	70306301	Stove Cover	Lower; 50 pound models
<b>9</b>	70188801	Burner Grill	30 pound models
	70306501	Burner Grill	50 pound models
<b>10</b>	44328104	Limit Thermostat	Rear
<b>11</b>	70371501	Stove Back	30 pound models
	70375201	Stove Back	50 pound models
<b>12</b>	M411826	Snap Bushing	
<b>13</b>	M414477	Thermostat Cover	

# Gas Valve and Piping

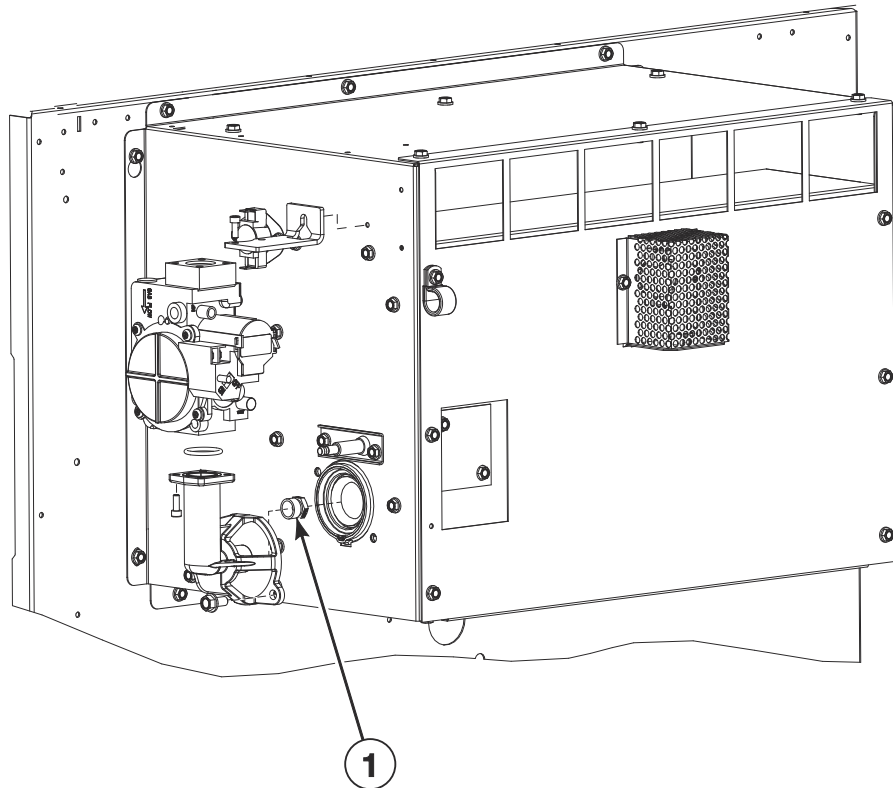


STX35P

# Gas Valve and Piping

REF	PART NO.	DESCRIPTION	COMMENTS
	70550208	L.P. Conversion Kit	T and G market 30 pound models; Natural Gas (N.G.); 0-2,000 feet
	70550211	L.P. Conversion Kit	Australian 30 pound models; N.G.; 0-2,000 feet
	70551907	L.P. Conversion Kit	IEC 30 pound models; N.G.; 0-2,000 feet
	70550209	L.P. Conversion Kit	T and G market 50 pound models; N.G.; 0-2,000 feet
	70550210	L.P. Conversion Kit	Australian 50 pound models; N.G.; 0-2,000 feet
	70551908	L.P. Conversion Kit	IEC 50 pound models; N.G.; 0-2,000 feet
	44239701	High Voltage Suppression Cable	
	70131902	Adapter	Australian models; BPT/NPT
	70239801	Primary Air Adjustment Sleeve	L.P. models
	70613901	Gas Valve Harness	
	70535901	Notice Label	Australian models; N.G.
<b>1</b>	70672501	Screw	
<b>2</b>	70645401	Gas Valve Bracket	
<b>3</b>	70659201	Gas Valve Manifold	
<b>4</b>	431482	O-Ring	
<b>5</b>	44154503	N.G. Valve	T and G market models
	44154504	L.P. Valve	T and G market models
	44154507	Gas Valve	IEC models; N.G.
	44154508	Gas Valve	IEC models; L.P.
<b>6</b>	70612604	Pipe Nipple	All models except Australian models
<b>7</b>	70167601	Plug	

# Burner Orifices



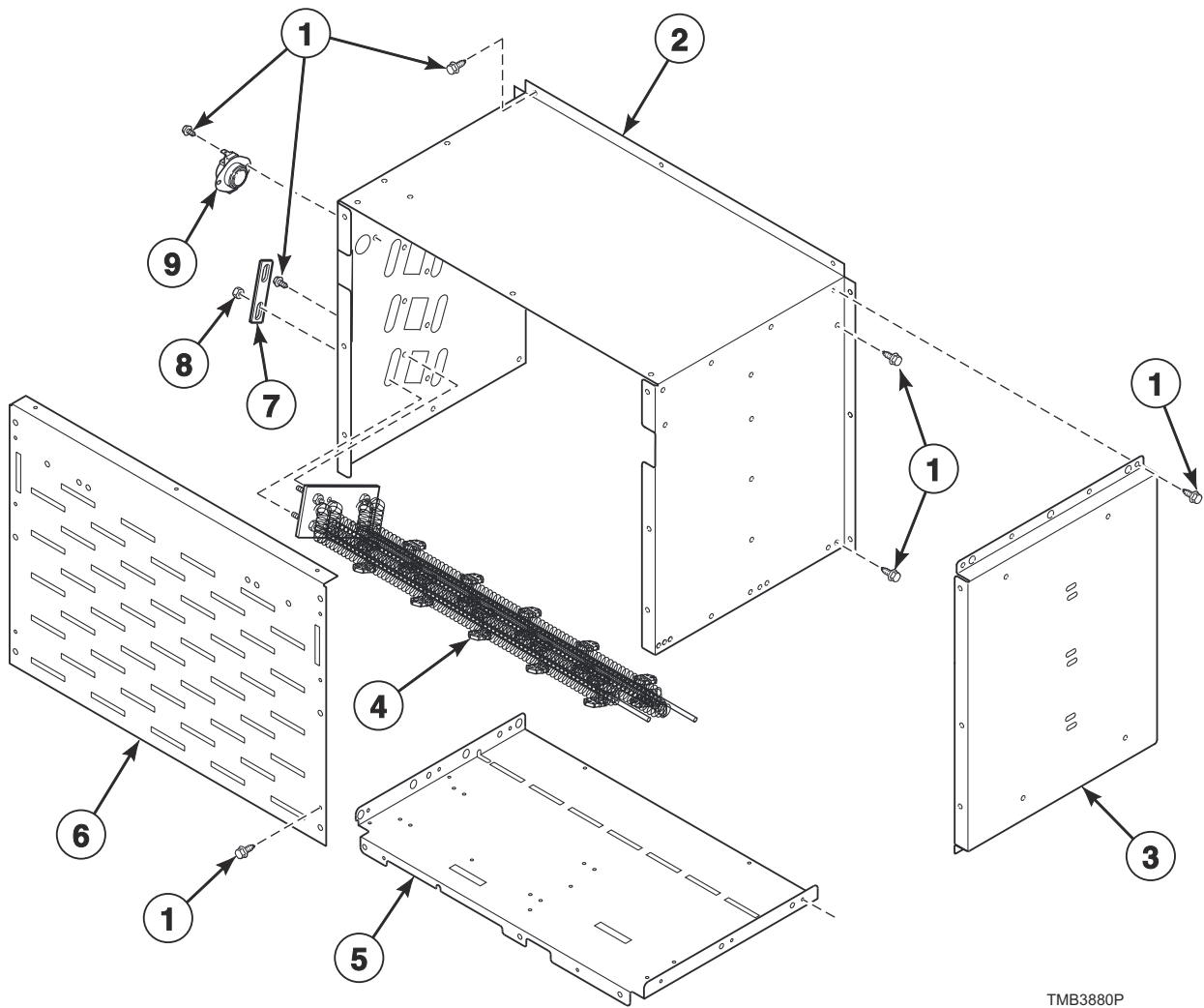
STX32PA



## Burner Orifices

REF	PART NO.	DESCRIPTION	COMMENTS
	70609909	High Altitude Orifice Kit	Natural Gas (N.G.) 30 pound models
	70609910	High Altitude Orifice Kit	Liquid Petroleum Gas (L.P.) 30 pound models
	70609911	High Altitude Orifice Kit	N.G. 50 pound models
	70609912	High Altitude Orifice Kit	L.P. 50 pound models
1	70684142	Burner Orifice	30 pound models; N.G.; Drill no. 20 (4.09 mm); 0-2,000 feet
	70684139	Burner Orifice	30 pound models; N.G.; Drill no. 23 (3.91 mm); 2,001-4,000 feet
	70684137	Burner Orifice	30 pound models; N.G.; Drill no. 25 (3.80 mm); 4,001-6,000 feet
	70684135	Burner Orifice	30 pound models; N.G.; Drill no. 27 (3.66 mm); 6,001-8,000 feet
	70684133	Burner Orifice	30 pound models; N.G.; 3.50 mm; 8,001-10,000 feet
	70684116	Burner Orifice	30 pound G, K and T market models; L.P.; Drill no. 40 (2.49 mm); 0-2,000 feet
	70684114	Burner Orifice	30 pound G, K and T market models; L.P.; Drill no. 42 (2.37 mm); 2,001-4,000 feet
	70684113	Burner Orifice	30 pound G, K and T market models; L.P.; 2.30 mm; 4,001-6,000 feet
	70684111	Burner Orifice	30 pound G, K and T market models; L.P.; 2.20 mm; 6,001-8,000 feet
	70684109	Burner Orifice	30 pound G, K and T market models; L.P.; Drill no. 45 (2.08 mm); 8,001-10,000 feet
	70684111	Burner Orifice	30 pound J market models; L.P.; 2.20 mm; 0-2,000 feet
	70684109	Burner Orifice	30 pound J market models; L.P.; Drill no. 45; (2.08 mm); 2,001-4,000 feet
	70684108	Burner Orifice	30 pound J market models; L.P.; Drill no. 46; (2.06 mm); 4,001-6,000 feet
	70684106	Burner Orifice	30 pound J market models; L.P.; Drill no. 48; (1.93 mm); 6,001-8,000 feet
	70684105	Burner Orifice	30 pound J market models; L.P.; Drill no. 49; (1.85 mm); 8,001-10,000 feet
	70684149	Burner Orifice	50 pound models; N.G.; Drill no. 14 (4.62 mm); 0-2,000 feet
	70684146	Burner Orifice	50 pound models; N.G.; Drill no. 17 (4.39 mm); 2,001-4,000 feet
	70684144	Burner Orifice	50 pound models; N.G.; Drill no. 18 (4.31 mm); 4,001-6,000 feet
	70684142	Burner Orifice	50 pound models; N.G.; Drill no. 20 (4.09 mm); 6,001-8,000 feet
	70684139	Burner Orifice	50 pound models; N.G.; Drill no. 23 (3.91 mm); 8,001-10,000 feet
	70684123	Burner Orifice	50 pound G, K and T market models; L.P.; Drill no. 34 (2.82 mm); 0-2,000 feet
	70684120	Burner Orifice	50 pound G, K and T market models; L.P.; Drill no. 36 (2.71 mm); 2,001-4,000 feet
	70684118	Burner Orifice	50 pound G, K and T market models; L.P.; Drill no. 38 (2.58 mm); 4,001-6,000 feet
	70684116	Burner Orifice	50 pound G, K and T market models; L.P.; Drill no. 40 (2.49 mm); 6,001-8,000 feet
	70684114	Burner Orifice	50 pound G, K and T market models; L.P.; Drill no. 42 (2.37 mm); 8,001-10,000 feet
	70684117	Burner Orifice	50 pound J market models; L.P.; Drill no. 39 (2.53 mm); 0-2,000 feet
	70684114	Burner Orifice	50 pound J market models; L.P.; Drill no. 42 (2.37 mm); 2,001-4,000 feet
	70684113	Burner Orifice	50 pound J market models; L.P.; 2.3 mm; 4,001-6,000 feet
	70684112	Burner Orifice	50 pound J market models; L.P.; Drill no. 43 (2.26 mm); 6,001-8,000 feet
	70684110	Burner Orifice	50 pound J market models; L.P.; Drill no. 44 (2.18 mm); 8,001-10,000 feet

# Electric Heater Components - 30 Pound Models

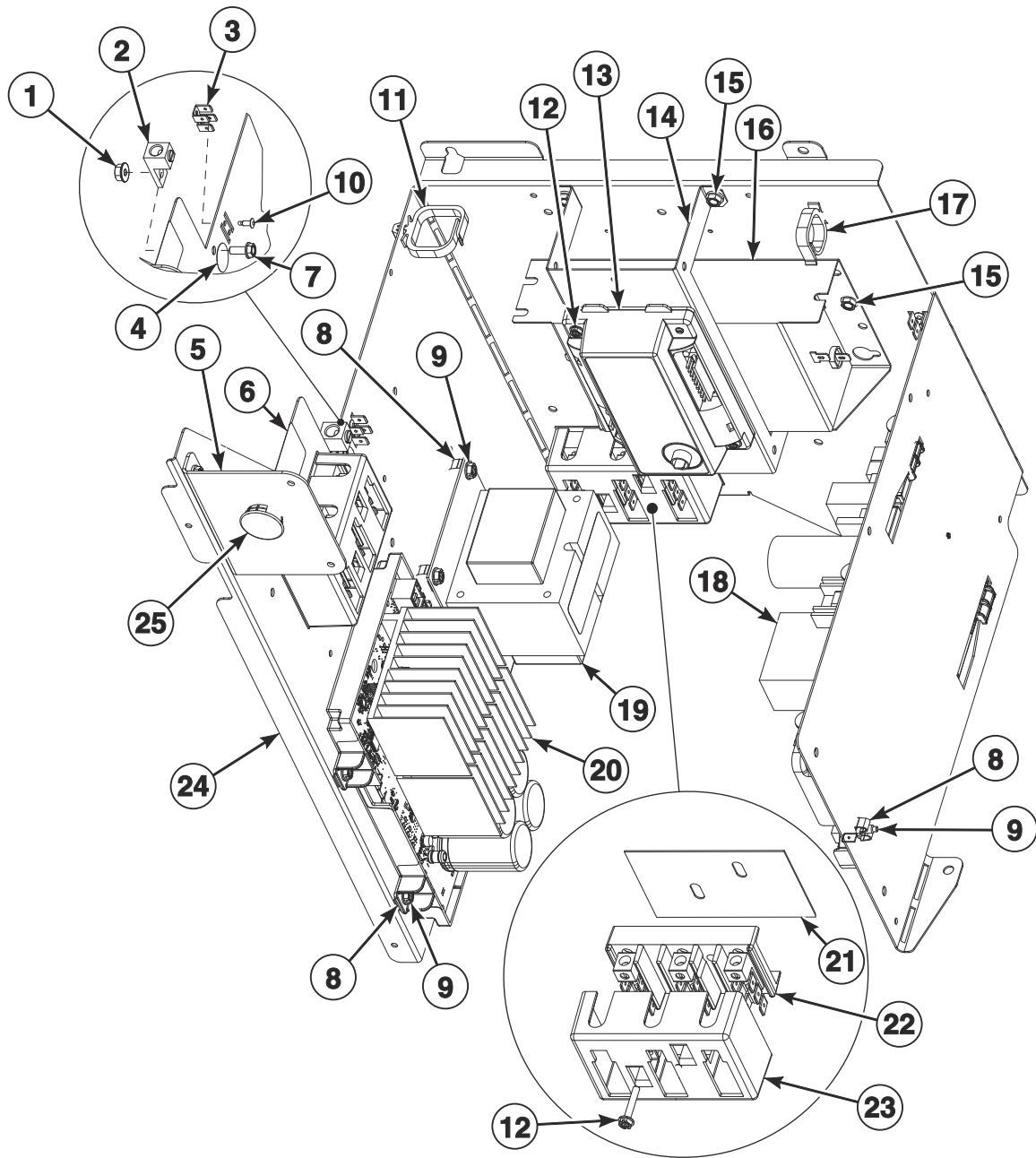


TMB3880P

## Electric Heater Components - 30 Pound Models

REF	PART NO.	DESCRIPTION	COMMENTS
	70613803	Stove Limit Harness	
	70641709	Jumper Harness	3 inch; 8 required for 380 and 400-415 Volt
	70641710	Jumper Harness	9 inch; 2 required for 440 and 460-480 Volt
<b>1</b>	430497	Screw	
<b>2</b>	70654001	Stove Top and Sides	
<b>3</b>	70652001	Stove Shield	
<b>4</b>	70034401P	Heater Element	3 required; 7 kW; 208 Volt heater element for 200-208 Volt/3 Phase
	70034402P	Heater Element	3 required; 7 kW; 220 Volt heater element for 380 and 440 Volt/3 Phase
	70034403P	Heater Element	3 required; 7 kW; 240 Volt heater element for 230-240 Volt/3 Phase and 400-415 and 460-480 Volt/3 Phase
	70034417	Heater Element	3 required; 3 kW; 240 Volt heater element for 230-240 Volt/1 Phase
	70034418P	Heater Element	3 required; 3 kW; 208 Volt heater element for 200-208 Volt/1 Phase
<b>5</b>	70652301	Stove Cover	
<b>6</b>	70214901	Stove Grill	
<b>7</b>	M400869	Jumper Strip	12 required for 200-208 and 230-240 Volt; 6 required for all other voltages
	70066501	Jumper Bar	4 required for 440 and 460-480 Volt
<b>8</b>	70054	Nut	
<b>9</b>	44328007	Limit Thermostat	

# Control Tray - Gas Models

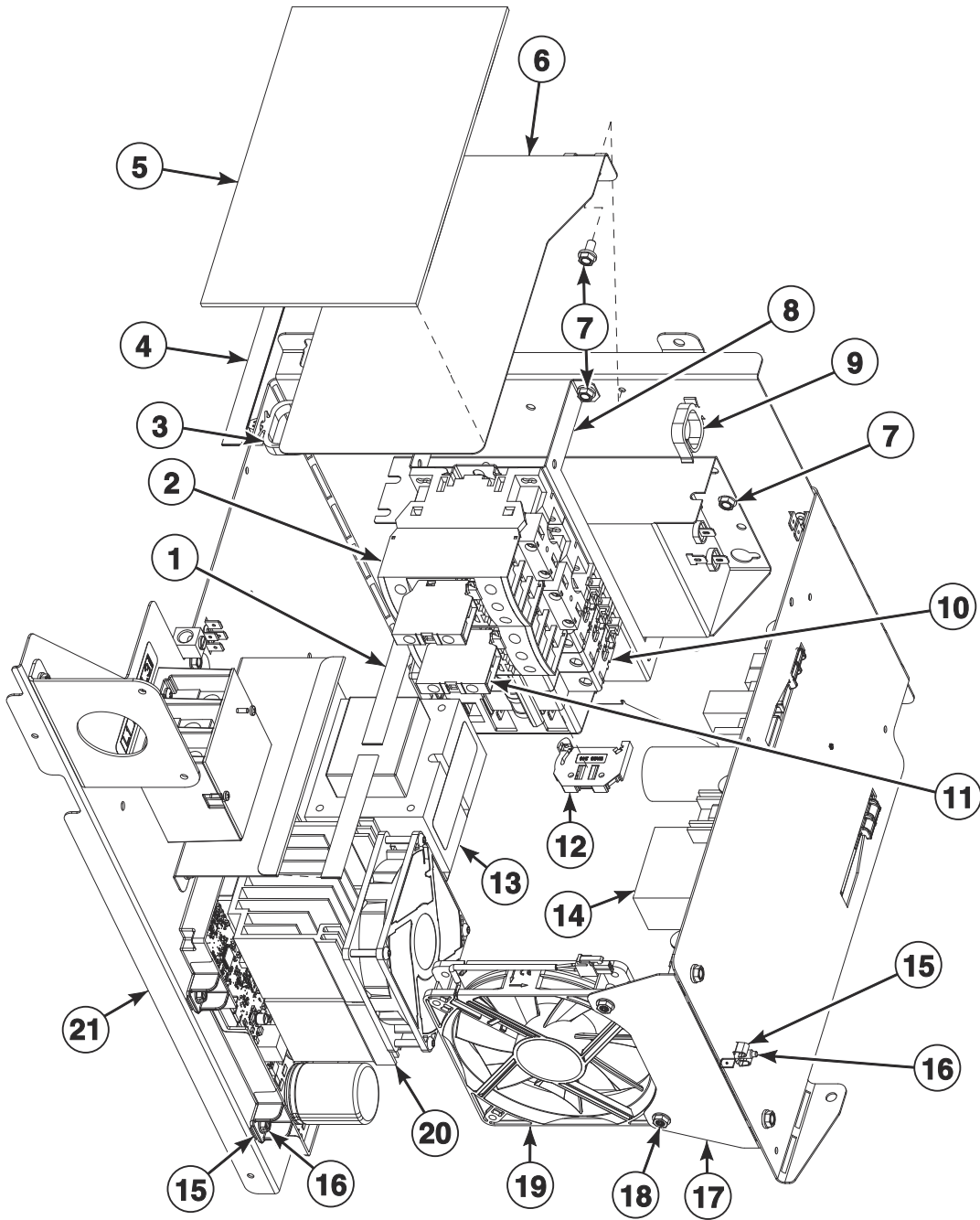


TMB3882P

## Control Tray - Gas Models

REF	PART NO.	DESCRIPTION	COMMENTS
	70696804	Conversion Kit	30 pound models; Models with D, F, N or W in 7th position; X to B voltage
	70696808	Conversion Kit	30 pound models; X to B voltage; Models with V in 7th position
1	44088001	Nut	
2	M411283	Ground Lug Connector	
3	00622SG	Terminal	
4	D516100	Label	
5	70615501	Conduit Plate	
6	44286803	Label	L1, L2, L3
	44286801	Label	L1, N
	44286802	Wire Label	L1 L2, L1 N
	44286804	Wire Label	L1 L2, L1 N, L1 L2 L3
7	685837	Screw	
8	70030501	Expansion Clip	
9	F8206901	Screw	
10	M400003	Pop Rivet	
11	F8449501	Wire Clip	
12	51783	Screw	
13	70482002	Ignition Control	IEC models
	70482001	Ignition Control	T and G market models
14	70615401	Contacto Bracket	
15	430497	Screw	
16	F8591601	EMI Filter	IEC models; 100-200 and 200-400 Volt/1 Phase
	F8637501	EMI Filter	IEC models; 380-480 Volt
17	F8449502	Wire Clip	
18	70671701	I/O Control Assembly	
19	F8491101	Transformer	380-480 Volt
20	70603001	Inverter Control Assembly	1 HP; 120, 240 Volt/1 Phase
	70603201	Inverter Control Assembly	1 HP; 480 Volt/3 Phase
21	M413862	Insulator	
22	430642	Terminal Block	
23	70333001	Terminal Block Shield	
24	70628401	I/O Board Tray	30 pound models
	70615102	I/O Board Tray	50 pound models
25	M400985	Plug	

# Control Tray - 30 Pound Electric Models (Drawing 1 of 2)

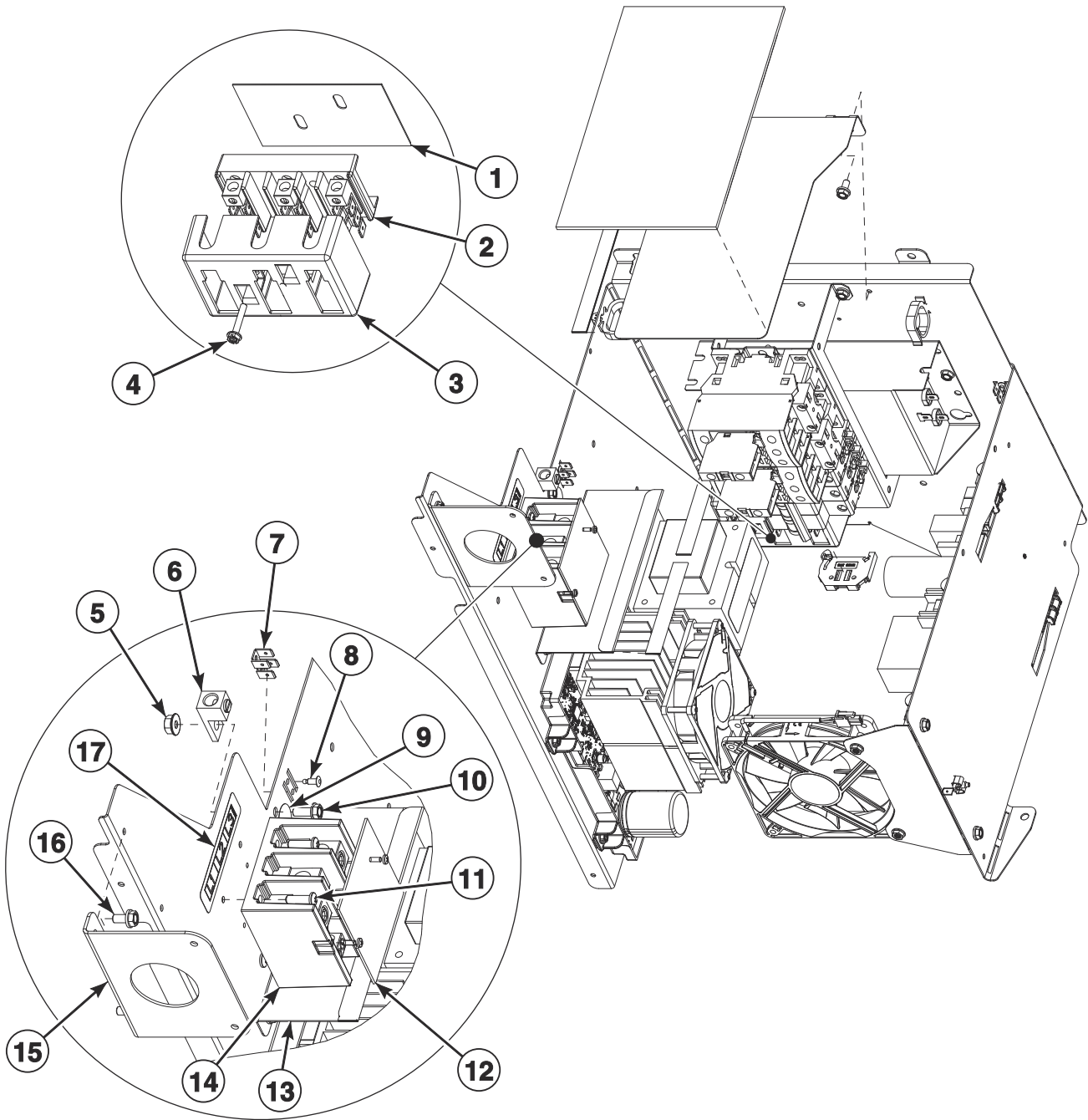


TMB3883P

## Control Tray - 30 Pound Electric Models (Drawing 1 of 2)

REF	PART NO.	DESCRIPTION	COMMENTS
1	70531803	Label	
2	70482701	Contactora	2 required; 50 amp
3	F8449501	Wire Clip	
4	70531802	Label	
5	70465902	Insulation	
6	70664801	Heat Shield Contactora Bracket	
7	430497	Screw	
8	70628501	Contactora Bracket Assembly	
9	F8449502	Wire Clip	
10	70488101	Circuit Breaker	25 amp; 3 Pole; 380-480 Volt
	70488102	Circuit Breaker	25 amp; 2 Pole; 200-240 Volt
11	44313201	Auxiliary Contact Block	2 required
12	F8449801	End Stop	
13	F8491101	Transformer	380-480 Volt
14	70671701	I/O Control Assembly	
15	70030501	Expansion Clip	
16	F8206901	Screw	
17	70664901	Fan Mount Bracket	
18	203799	Screw	
19	F8504301	Fan	24 VDC
20	70603001	Inverter Control Assembly	1 HP; 120, 240 Volt/1 Phase
	70603201	Inverter Control Assembly	1 HP; 480 Volt/3 Phase
21	70628401	I/O Board Tray	

# Control Tray - 30 Pound Electric Models (Drawing 2 of 2)



TMB3883PA



## Control Tray - 30 Pound Electric Models (Drawing 2 of 2)

REF	PART NO.	DESCRIPTION	COMMENTS
1	M413862	Insulator	
2	430642	Terminal Block	
3	70333001	Terminal Block Shield	
4	51783	Screw	
5	44088001	Nut	
6	M411283	Ground Lug Connector	
7	00622SG	Terminal	
8	M400003	Pop Rivet	
9	D516100	Label	
10	685837	Screw	
11	39733	Screw	
12	44014901P	Power Distribution Block Cover	
13	70671801	Emissions Shield Bracket	
14	M413865	Power Distribution Block	
15	70615503	Conduit Plate	
16	430497	Screw	
17	44286803	Label	L1, L2, L3
	44286801	Label	L1, N
	44286802	Wire Label	L1 L2, L1 N
	44286804	Wire Label	L1 L2, L1 N, L1 L2 L3

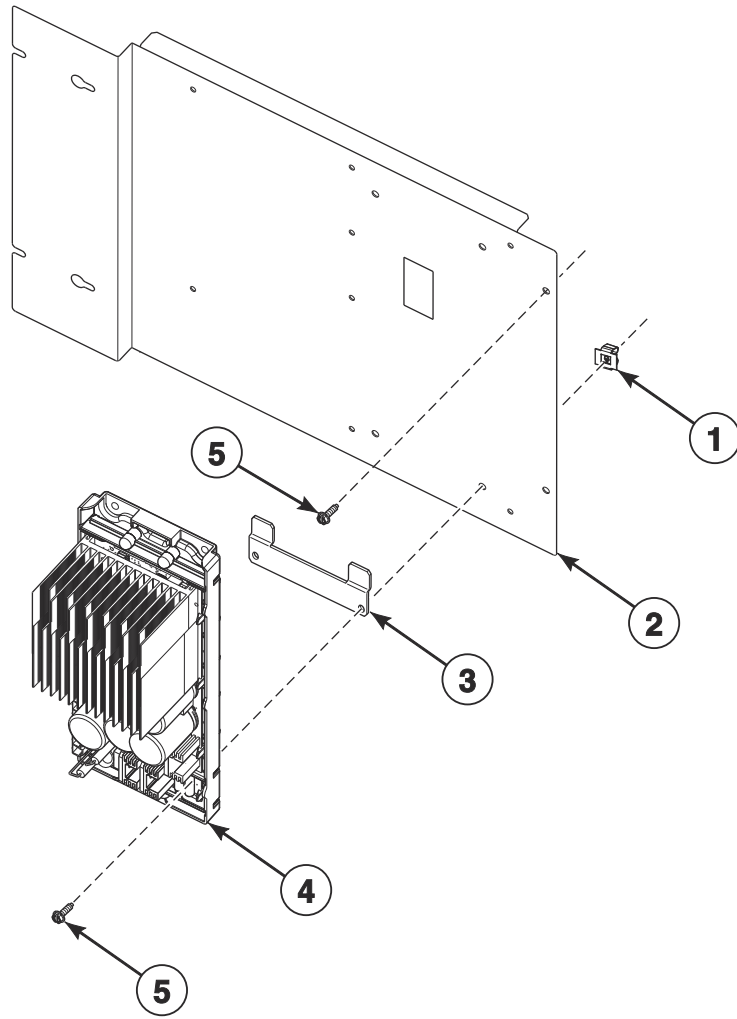
## Labels - Tumble Dryer

<b>PART NO.</b>	<b>DESCRIPTION</b>	<b>COMMENTS</b>
70696901	Caution Label	Vent/install
F8614501	Danger Label	Shock; English/French
F8614301	Hot Surface Warning Label	English/French
F8609001	Hot Surface Warning Label	Icon
F8611601	Warning Label	
F8614500	Label Kit	Shock; IEC models
70535100	Label Kit	Vent/Install; IEC models
F8605500	Label Kit	
44321501	Notice Label	120/240 Volt
70539601	Notice Label	
70534201	Notice Label	
F8609501	Notice Label	
D516073	Notice Label	Read instructions; Icon
70538401	Pinch Warning Label	English/French
F8615701	Pinch Warning Label	Icon
F8614401	Shock Warning Label	English/French
F8614201	Shock Warning Label	Icon
70536301	Warning Label	Lint; Australian models
44324101	Warning Label	Fire; Australian models
70534305	Warning Label	Fire; Colombian Spanish
44321601	Warning Label	Risk of fire; Icon
D503887	Label	Australian models

## Control Tray Harnesses - Tumble Dryer

PART NO.	DESCRIPTION	COMMENTS
70612101	Junction Box Harness	
70671001	Inverter Power Conversion Harness	X to B voltage
70611402	Power Harness	T and G market gas models; 120-240 Volt
70611403	Power Harness	T and G market gas models; 240 Volt
70611405	Power Harness	IEC gas models; 120-240 Volt; Upper
70611407	Power Harness	IEC gas models; 120-240 Volt; Lower
70613401	Power Harness	T and G market gas models; 380-480 Volt
70613402	Power Harness	T and G market electric models; 380-480 Volt
70613403	Power Harness	IEC models; 380-480 Volt
70613404	Power Harness	IEC gas models; 380-480 Volt
70611501	Power Harness	IEC models; Terminal block 1 to EMI Filter; 1 Phase
70611502	Power Harness	IEC models; Terminal block 1 to EMI Filter; 3 Phase
70611503	Power Harness	Electric models; Power distribution block to circuit breaker; 1 Phase
70611504	Power Harness	Electric models; Power distribution block to circuit breaker; 3 Phase
70611505	Power Harness	IEC models; Circuit breaker to EMI filter; 1 Phase
70611506	Power Harness	IEC models; Circuit breaker to EMI filter; 3 Phase
70611507	Power Harness	IEC models; EMI filter to terminal block 2; 1 Phase
70611508	Power Harness	IEC models; EMI filter to terminal block 2; 3 Phase
70641701	Harness	Electric models; Power distribution block to heat contactor; 3 Phase
70641702	Harness	Electric models; Power distribution block to heat contactor; 1 Phase
70641703	Jumper Harness	Electric models; 3 required; 380-480 Volt
70641707	Harness	Electric models; Heat contactor to element H4-H6; 200-240 Volt
70641706	Harness	Electric models; Heat contactor to element H1-H3
70612201	Control Harness	Gas models
70612203	Control Harness	Electric models
70611801	Power Harness	Gas models
70612001	Transformer Harness	Vend; 120 Volt
70612002	Transformer Harness	Vend; 240 Volt
70665301	Central Pay Harness	24V power supply
70622101	Base Harness	

# Drive Panel Assembly

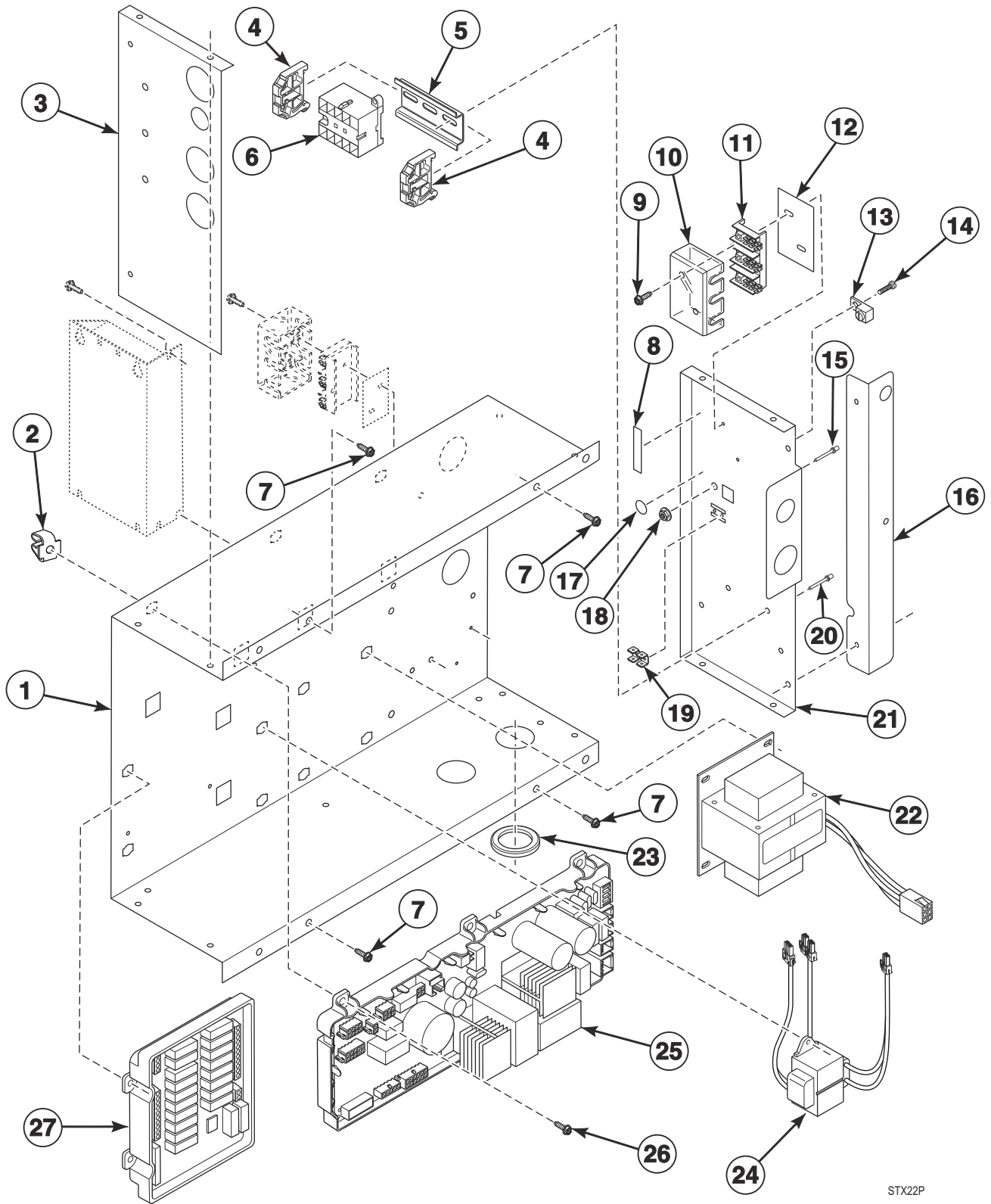


STX21P

# Drive Panel Assembly

REF	PART NO.	DESCRIPTION	COMMENTS
	F8689601	Drive Panel Assembly	B voltage; Includes items 1-5
	F8689602	Drive Panel Assembly	X voltage; Includes items 1-5
	F8689603	Drive Panel Assembly	N and P voltage; Includes items 1-5
	F8682001	Drive Communication Harness	
	F8682101	Drive Power Harness	B voltage
	F8682103	Drive Power Harness	N and P voltage
	F8682102	Drive Power Harness	X voltage
	F8518601	Drive Power Harness	2 HP; 120 Volt; B voltage
<b>1</b>	70030501	Expansion Clip	
<b>2</b>	F8683401	Electric Sub Panel	
<b>3</b>	F8322401	Drive Mounting Bracket	
<b>4</b>	F8495401P	Drive Assembly	2 HP; 120/240 Volt
	F8496001	Drive Assembly	2 HP; 480 Volt
<b>5</b>	F8206901	Screw	

# Control Tray



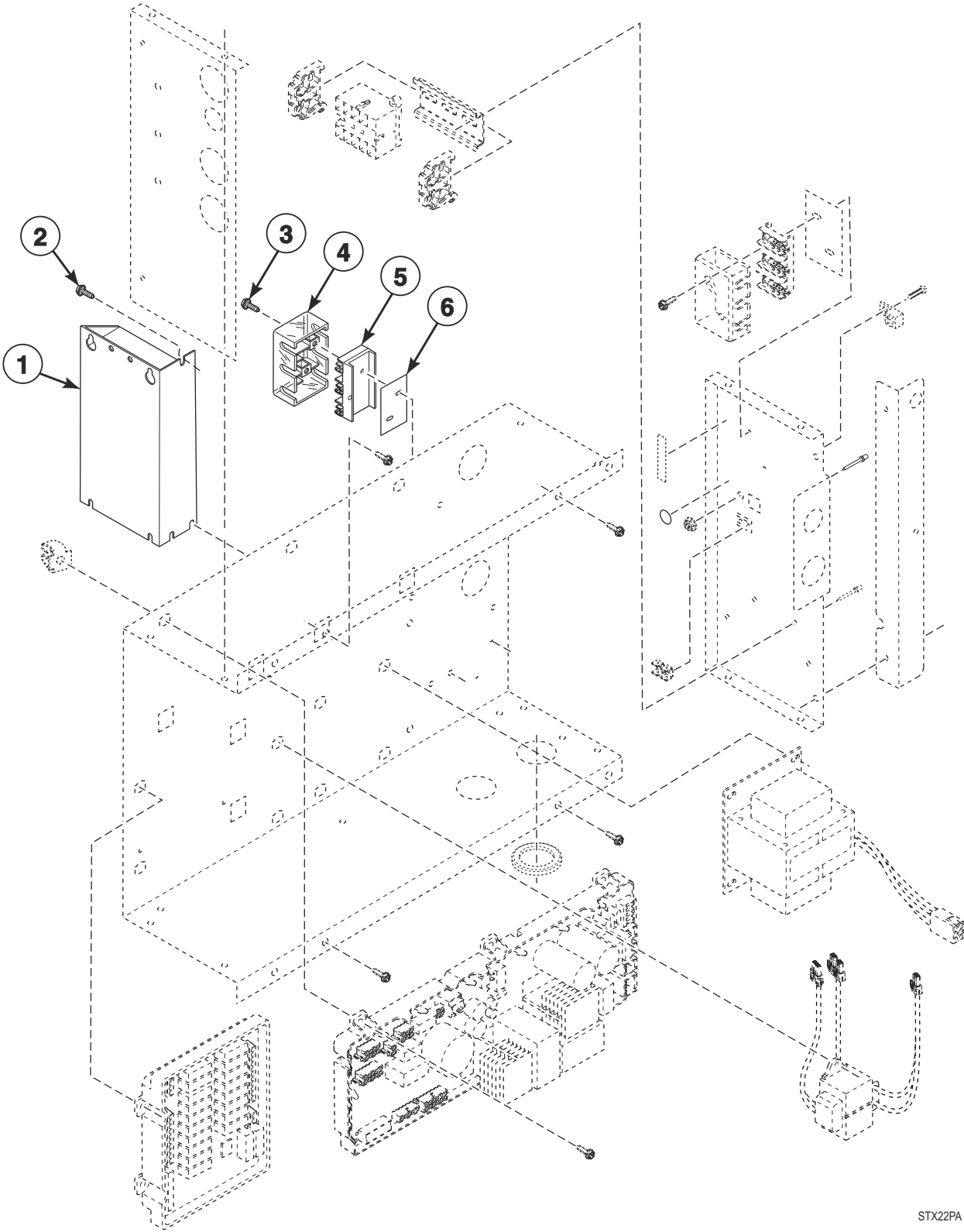
STX22P

# Control Tray

REF	PART NO.	DESCRIPTION	COMMENTS
	F8690501	Control Tray Assembly	B voltage; Includes items 1-3, 5-22, 24 and 25
	F8690502	Control Tray Assembly	X voltage; Includes items 1-3, 5-22, 24 and 25
	F8690503	Control Tray Assembly	N and P voltage; Includes items 1-3, 5-22, 24 and 25
	F8682301	Power Harness	B voltage; Vend
	F8682302	Power Harness	N, P and X voltage; Vend
	F8702501	Transformer Harness	B voltage; OPL
	F8702502	Transformer Harness	N, P and X voltage; OPL
	F8681801	Power Harness	B voltage
	F8681802	Power Harness	X voltage
	F8681901	Power Harness	N and P voltage
	F8685101	Contacto r Harness	
	F8682201	Communication Harness	
	M400985	Plug	
1	F8681601	Control Tray	
2	70030501	Expansion Clip	
3	F8700801	Control Tray	Left
4	F8449801	End Stop	
5	B12315401	DIN Rail	
6	70482601	Contacto r	
7	430497	Screw	
8	44286801	Label	Power input; L1, N
	44286804	Wire Label	Power input; L1, L2/N; L1, L2, L3
	44286803	Label	Power input; L1, L2, L3
9	51783	Screw	
10	70333001	Terminal Block Shield	
11	430642	Terminal Block	
12	M413862	Insulator	
13	M411283	Ground Lug Connector	
14	685837	Screw	
15	M400003	Pop Rivet	
16	F8701001	Control Tray Support	
17	D516100	Label	
18	44088001	Nut	
19	00622SG	Terminal	
20	70058501	Pop Rivet	
21	F8700901	Control Tray	Right
22	F8491101	Transformer	N and P voltage
23	70346501	Bushing	
24	202757	Transformer	B voltage
	202758	Transformer	N, P and X voltage
25	F8494101P	Input and Output Control Assembly	
26	F8206901	Screw	
27	F8497401	Chemical Injection Control	Vend
	804528	Chemical Injection Control	OPL

# Control Tray - IEC Components

IEC Models



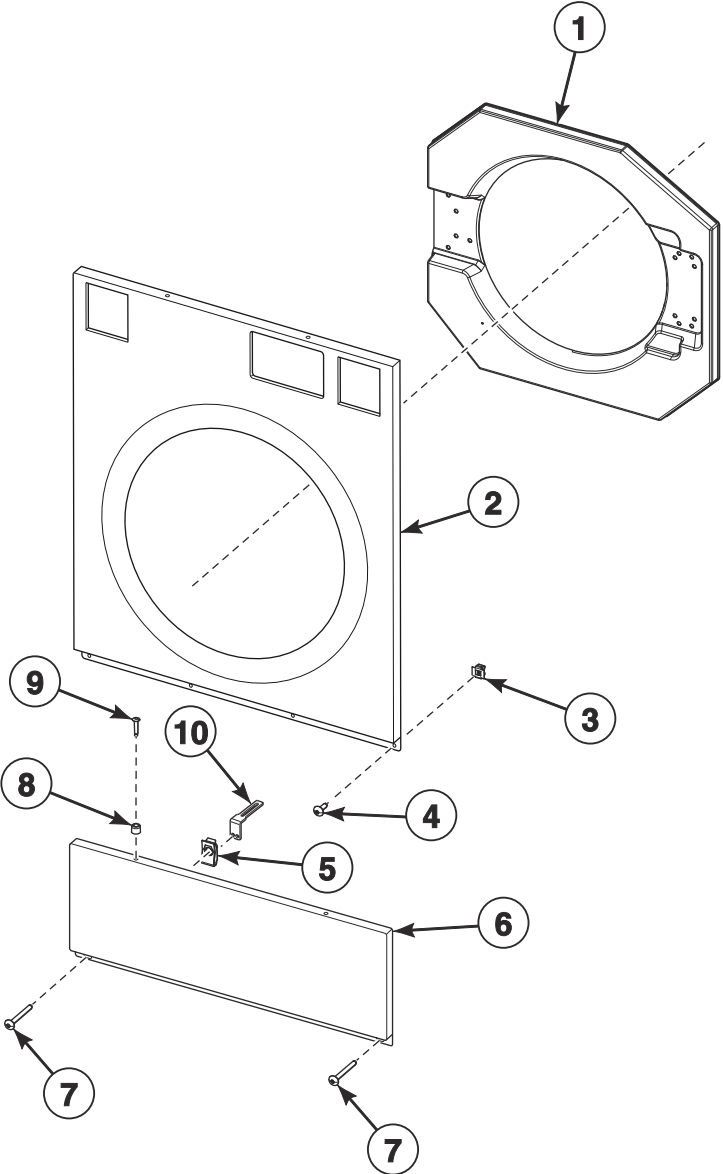
STX22PA



## Control Tray - IEC Components

REF	PART NO.	DESCRIPTION	COMMENTS
	F8690504	Control Tray Assembly	B voltage
	F8690505	Control Tray Assembly	X voltage
	F8690506	Control Tray Assembly	N and P voltage
	F8519403	Emergency Stop Bypass Harness	
	F8528006	Harness	TB2; B voltage
	F8710502	Power Harness	Filter; B voltage
	F8710402	Power Harness	TB2; B voltage
	F8710501	Power Harness	Filter; X, N and P voltage
	F8710401	Power Harness	TB2; X voltage
	F8528005	Harness	TB2; X, N and P voltage
	F8711101	Power Harness	TB2; N and P voltage
<b>1</b>	F8591601	EMI Filter	120/240 Volt/1 Phase
	F8591801	EMI Filter	200/240 Volt/3 Phase
	F8637501	EMI Filter	380/480 Volt
<b>2</b>	D503688	Screw	
<b>3</b>	51783	Screw	
<b>4</b>	70333001	Terminal Block Shield	
<b>5</b>	430642	Terminal Block	
<b>6</b>	M413862	Insulator	

# Lower Front Panels

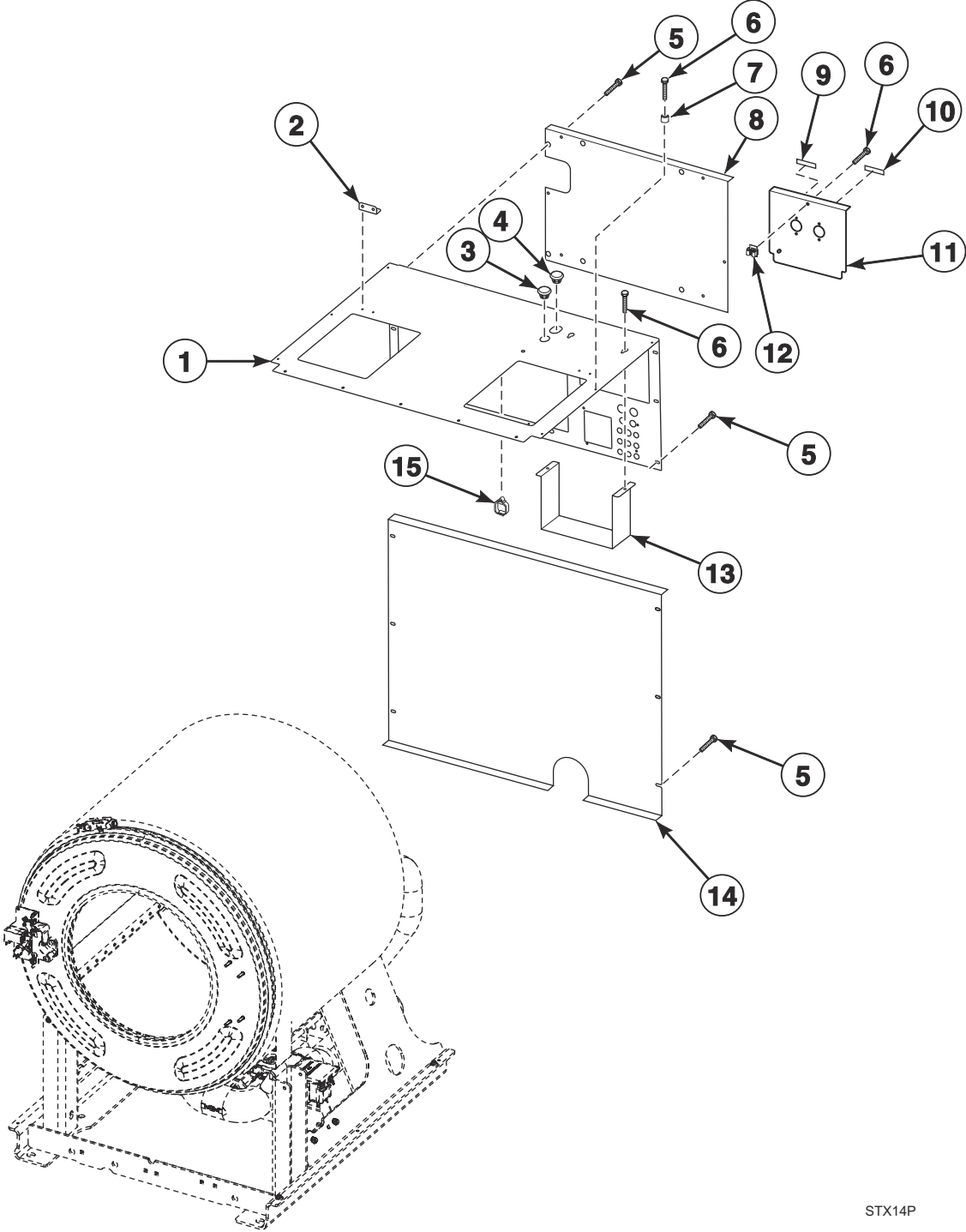


STX13P

## Lower Front Panels

REF	PART NO.	DESCRIPTION	COMMENTS
	05161	Screw	2 required
1	F8658901	Door Bezel	30 pound models
	F8659101	Door Bezel	50 pound models
2	F8687205	Front Panel	30 pound models; Coin; With coin box flange
	F8687201	Front Panel	30 pound models; Coin; Without coin box flange
	F8687202	Front Panel	30 pound models; Card/OPL
	F8642705	Front Panel	50 pound models; Coin; With coin box flange
	F8642701	Front Panel	50 pound models; Coin; Without coin box flange
	F8642702	Front Panel	50 pound models; Card/OPL
3	70030501	Expansion Clip	
4	F8117601	Screw	2 required
5	70030401	Nut	2 required
6	F8688501	Access Panel	30 pound models
	F8683601	Access Panel	50 pound models
7	202175	Screw	2 required
8	56079	Panel Locator	2 required
9	M412763	Rivet	2 required
10	F8702601	Access Panel Bracket	

# Rear Panels

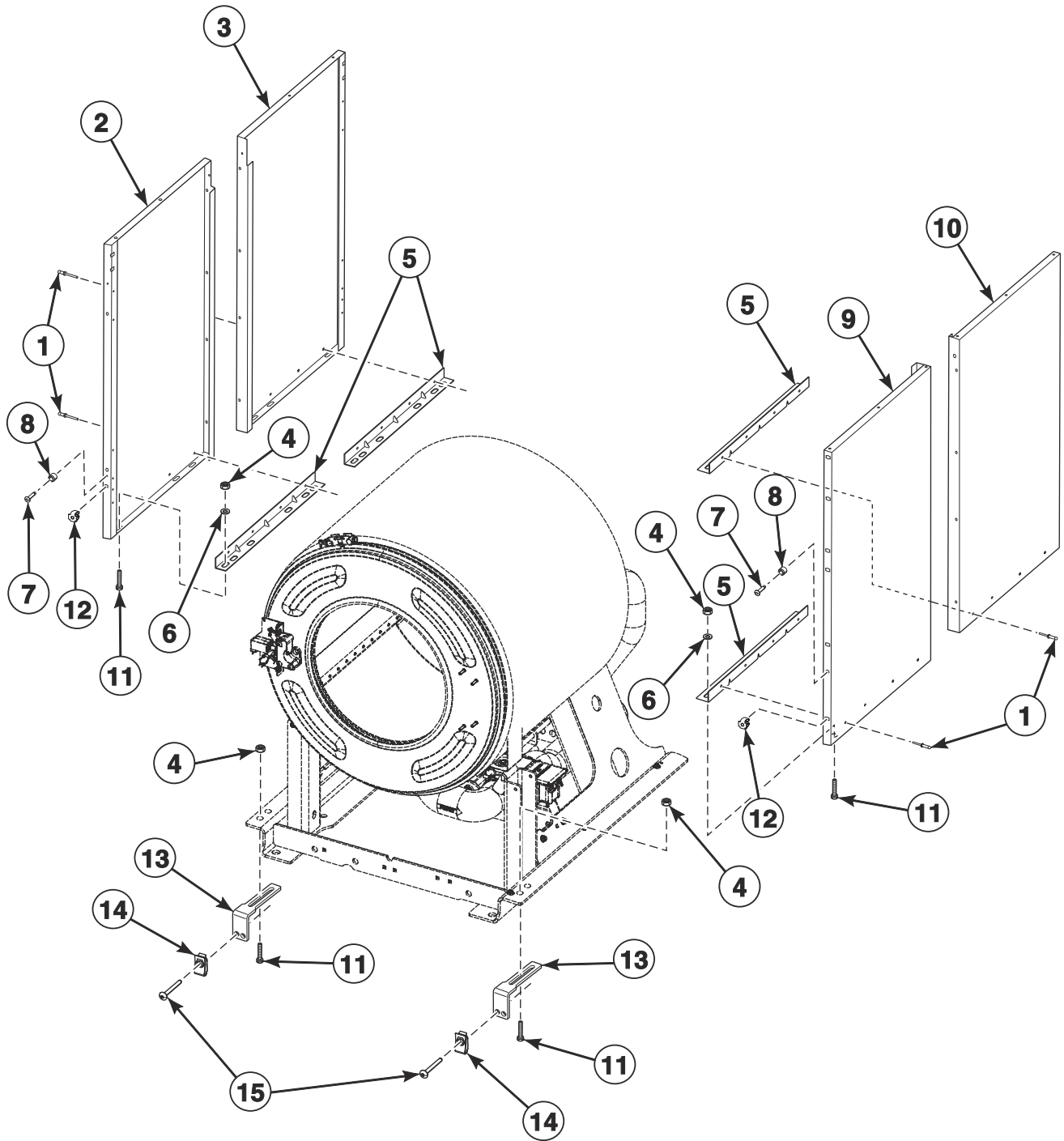


STX14P

## Rear Panels

REF	PART NO.	DESCRIPTION	COMMENTS
	70275801	Screw	
	44368601	Strain Relief	
1	F8708301	Rear Center Pan	30 pound models
	F8708401	Rear Center Pan	50 pound models
2	F8684301	Clip	
3	M400985	Plug	
4	F8223901	Plug	
5	F8206901	Screw	
6	430497	Screw	
7	56079	Panel Locator	
8	F8681701	Control Tray Cover	Left
9	F8611301	Label	Hot Water
10	F8611401	Label	Cold Water
11	F8688201	Valve Panel	2 HP; 120/240 Volt
12	70030501	Expansion Clip	
13	F8701101	Valve Support Bracket	2 HP; 480 Volt
14	F8688301	Back Cover	Bottom; 30 pound models
	F8683901	Back Cover	Bottom; 50 pound models
15	F8449501	Wire Clip	

# Side Panels

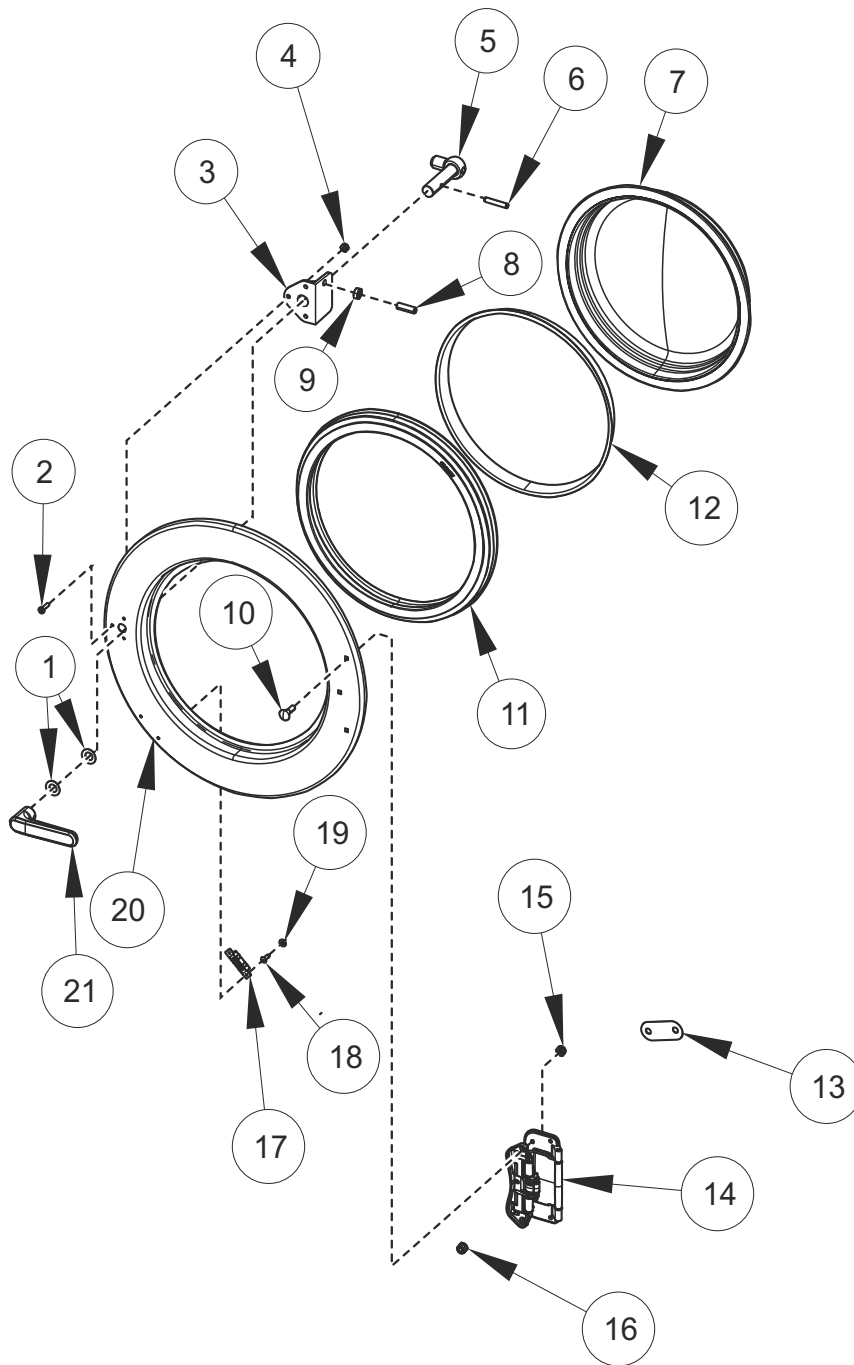


STX16P

## Side Panels

REF	PART NO.	DESCRIPTION	COMMENTS
	F430215	Nut	
	F8231001	Stud	
<b>1</b>	70058501	Pop Rivet	
<b>2</b>	F8710703W	Right Panel	30 pound models; Forward
	F8710803W	Right Panel	50 pound models; Forward
<b>3</b>	F8710903W	Right Panel	30 pound models; Backside
	F8711003W	Right Panel	50 pound models; Backside
<b>4</b>	44087201	Nut	
<b>5</b>	F8710601	Side Panel Brace Bracket	
<b>6</b>	M400080	Washer	
<b>7</b>	56079	Panel Locator	
<b>8</b>	70275801	Screw	
<b>9</b>	F8710704W	Left Panel	30 pound models; Forward
	F8710804W	Left Panel	50 pound models; Forward
<b>10</b>	F8710904W	Left Panel	30 pound models; Backside
	F8711004W	Left Panel	50 pound models; Backside
<b>11</b>	F8402801	Bolt	
<b>12</b>	70030501	Expansion Clip	
<b>13</b>	F8702601	Access Panel Bracket	
<b>14</b>	70030401	Nut	
<b>15</b>	F8206901	Screw	

# Door



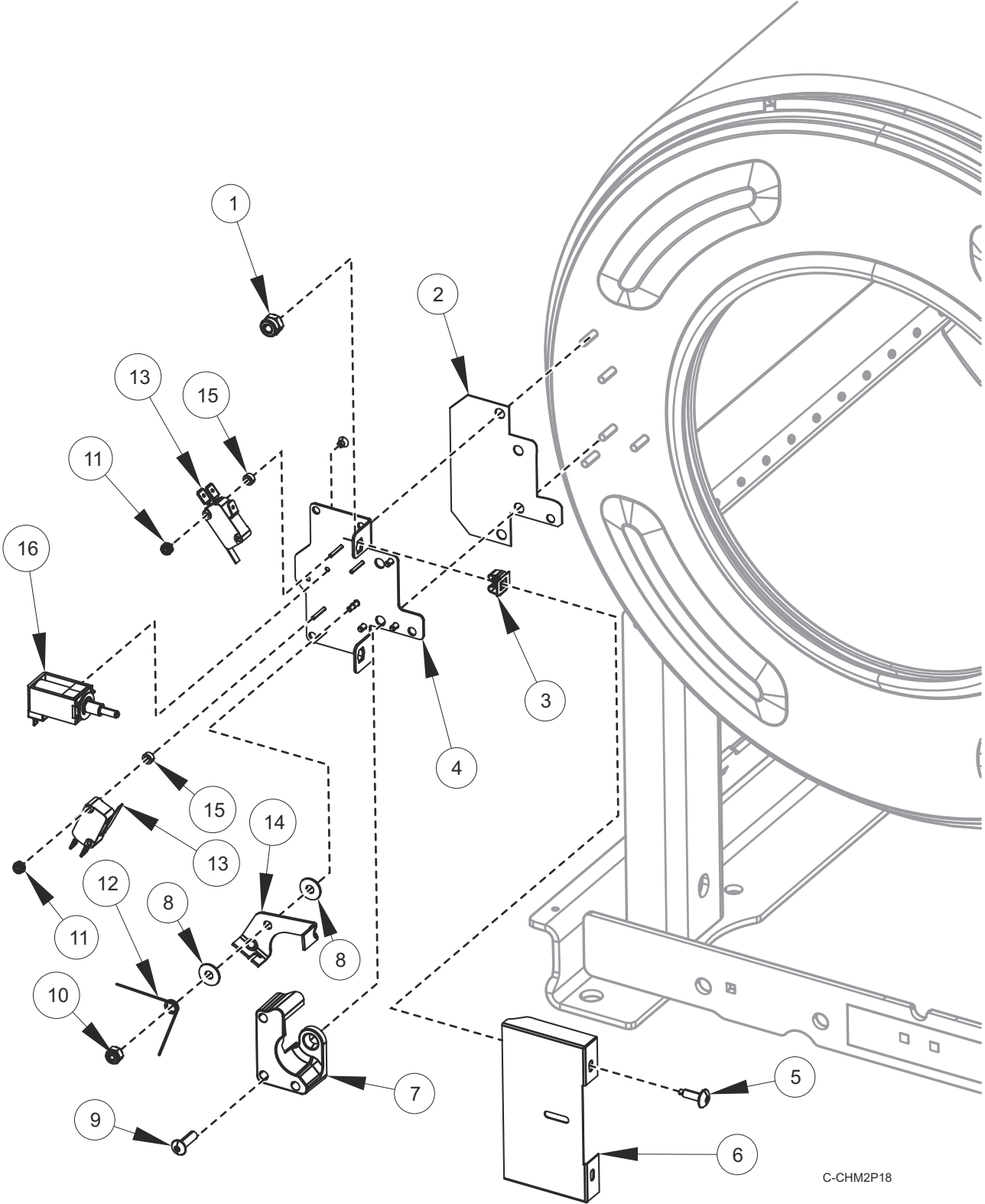
STX15P



# Door

REF	PART NO.	DESCRIPTION	COMMENTS
	F8617312	Door Assembly	30 pound models; Chrome; Includes items 1-6, 8 and 10-20
	F8617412	Door Assembly	50 pound models; Chrome; Includes items 1-6, 8 and 10-20
1	F431916	Washer	
2	F8535501	Screw	
3	F8567501	Door Handle Spacer Kit	
4	F430232	Nut	
5	F8221403	Door Latch Arm Assembly	Includes latch arm shaft, latch arm support and sleeve
6	F431222	Spring Pin	
7	F8485301P	Door Glass	30 pound models
	F8485401P	Door Glass	50 pound models
8	F430533	Screw	
9	F431041	Nut	
10	F8680901	Bolt	
11	F8111602	Door Gasket	30 pound models
	F8111502	Door Gasket	50 pound models
12	F8583202	Door Glass Trim	30 pound models
	F8583203	Door Glass Trim	50 pound models
13	F200131000P	Door Hinge Shim Kit	
14	F8647401	Door Hinge Assembly	
15	F430215	Nut	
16	C001236	Nut	
17	F8390801	Magnet	
18	F431223	Pop Rivet	
19	F431133	Washer	
20	F8651401	Door	30 pound models; Chrome
	F8651501	Door	50 pound models; Chrome
21	F8624603	Door Handle	

# Door Lock

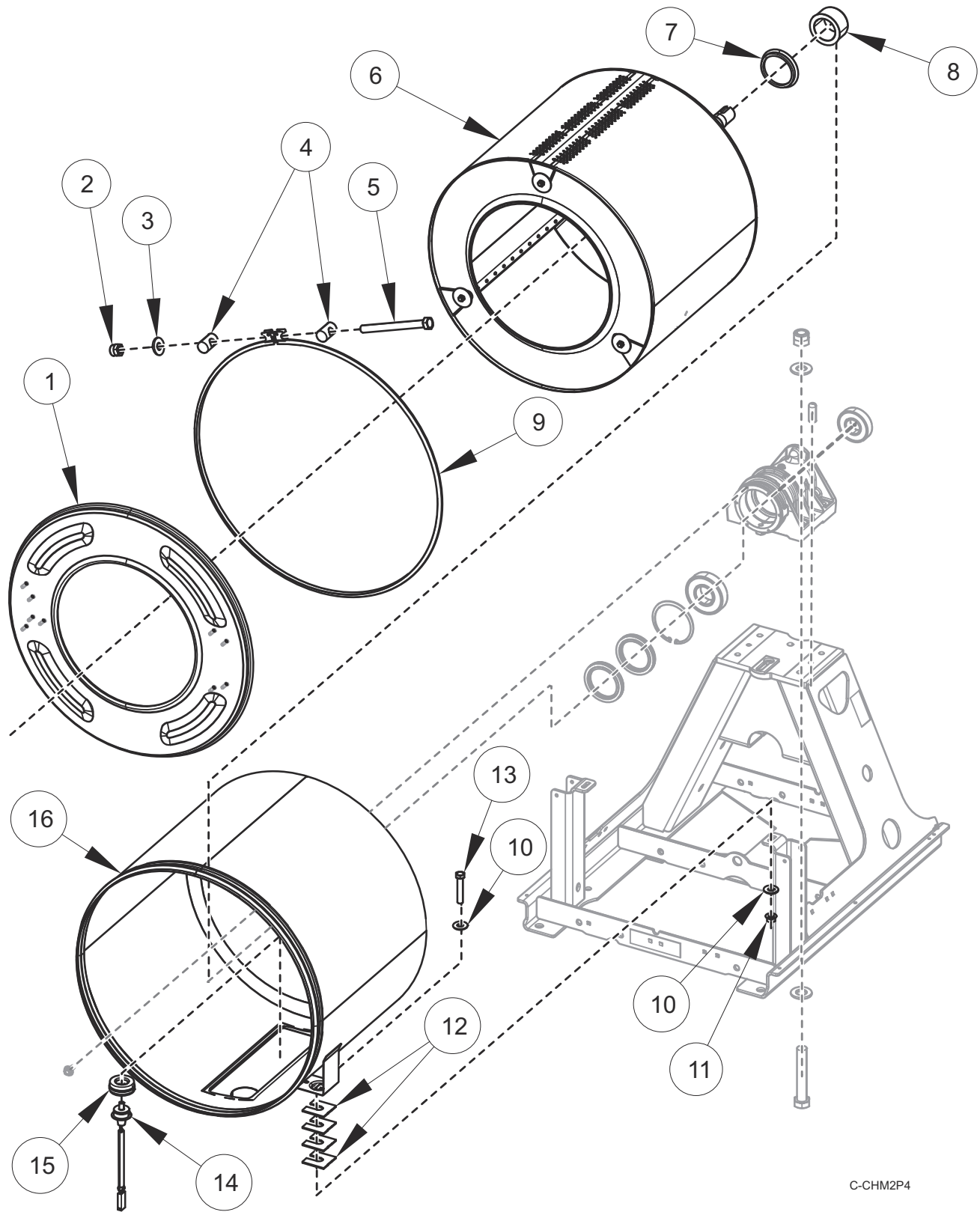


C-CHM2P18

# Door Lock

REF	PART NO.	DESCRIPTION	COMMENTS
	F8632401	Door Lock Assembly	Includes items 3, 4 and 10-16
	F8520202	Door Lock Harness	
	F8066804	Reed Switch Assembly	
<b>1</b>	F431024	Nut	
<b>2</b>	F8344401	Door Lock Plate Shim	
<b>3</b>	70030501	Expansion Clip	
<b>4</b>	F8223202	Door Lock Plate Assembly	
<b>5</b>	F8117601	Screw	
<b>6</b>	F8245001	Door Lock Cover	
<b>7</b>	F8344501	Door Lock Catch	
<b>8</b>	F8193101	Washer	
<b>9</b>	F8270701	Bolt	
<b>10</b>	F430232	Nut	
<b>11</b>	F430225	Nut	
<b>12</b>	F8070301	Torsion/Door Lock Spring	
<b>13</b>	F200203200	Door Lock Microswitch	
<b>14</b>	F8223401	Door Lock Switch Lever	
<b>15</b>	F431901	Spacer	
<b>16</b>	F977P3	Door Lock Solenoid Replacement Kit	

# Shell Front, Basket, Shell and Frame Template

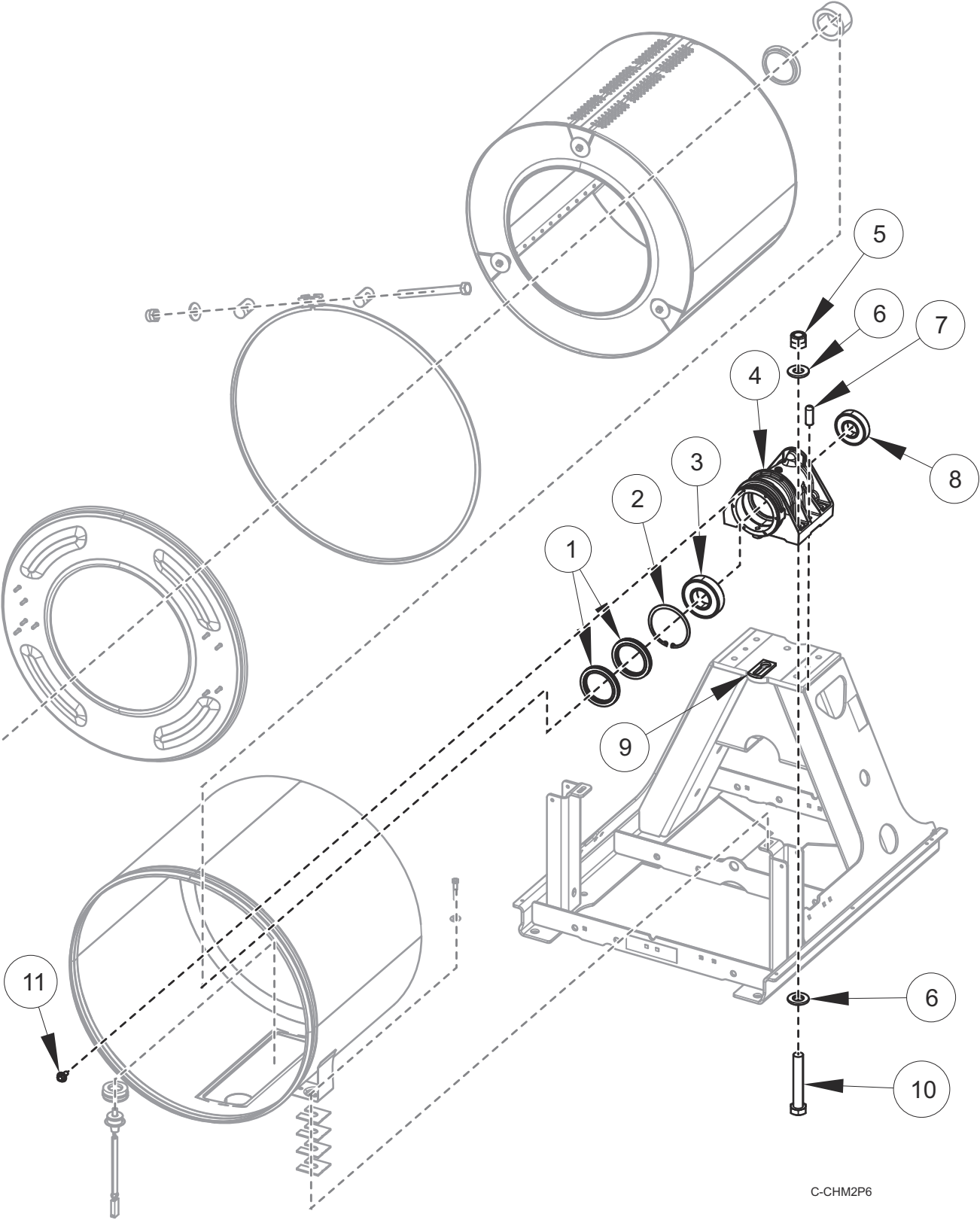


C-CHM2P4

## Shell Front, Basket, Shell and Frame Template

REF	PART NO.	DESCRIPTION	COMMENTS
	F8598302	Harness	
1	F8653001	Shell Front	30 pound models
	F8652901	Shell Front	50 pound models
2	F430218	Nut	
3	M400080	Washer	
4	F8302701	Pin	
5	F8673701	Screw	
6	F8391502	Basket	30 pound models; Rain
	F8391702	Basket	50 pound models; Rain
7	F8336901	Excluder Seal	30 pound models
	F8337001	Excluder Seal	50 pound models
8	F8343904P	Shaft Seal Sleeve Kit	30 pound models
	F8343906P	Shaft Seal Sleeve Kit	50 pound models
9	F8537802	Shell Band Kit	30 pound models; Includes items 2-5
	F8537803	Shell Band Kit	50 pound models; Includes items 2-5
10	M400081	Washer	
11	44087301	Nut	
12	F8402701	Washer	
13	F8621601	Screw	
14	F8538801	Thermistor	
15	2251000400	Temperature Probe Grommet	
16	F8514003	Shell	30 pound models; OPL
	F8514001	Shell	30 pound models; Standard
	F8512203	Shell	50 pound models; OPL
	F8512201	Shell	50 pound models; Standard

# Bearing Housing

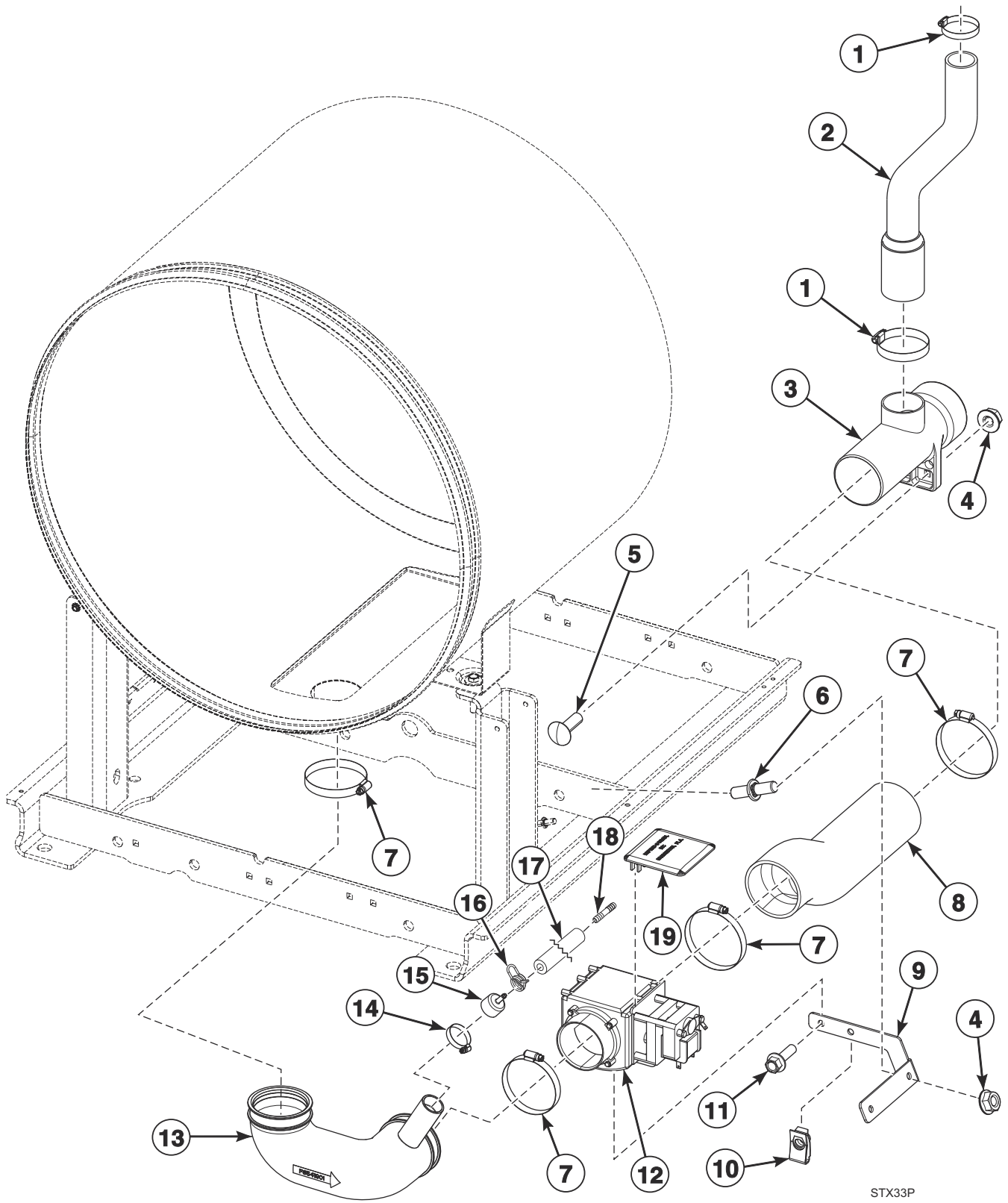


C-CHM2P6

# Bearing Housing

REF	PART NO.	DESCRIPTION	COMMENTS
	F8271701P	Bearing Housing Assembly	30 pound models; Includes items 1-4 and 8; Standard
	F8271801P	Bearing Housing Assembly	50 pound models; Includes items 1-4 and 8; Standard
<b>1</b>	F8203802	Triple Lip Seal	30 pound models; Standard
	F8203803	Triple Lip Seal	50 pound models; Standard
<b>2</b>	F8345001	Retaining Ring	30 pound models
	F8337801	Retaining Ring	50 pound models
<b>3</b>	F100123P	Bearing	30 pound models
	F100137P	Bearing	50 pound models
<b>4</b>	F8246802	Bearing Housing	30 pound models
	F8249902	Bearing Housing	50 pound models
<b>5</b>	F8387701	Nut	
<b>6</b>	F430339	Washer	
<b>7</b>	F8388201	Dowel Pin	
<b>8</b>	F100108	Bearing	30 pound models
	F100134	Bearing	50 pound models
<b>9</b>	F8350301	Seal Scupper Pad	30 pound models
	F8350302	Seal Scupper Pad	50 pound models
<b>10</b>	F8368801	Screw	
<b>11</b>	F8442702	Screw	

# Drain Plumbing



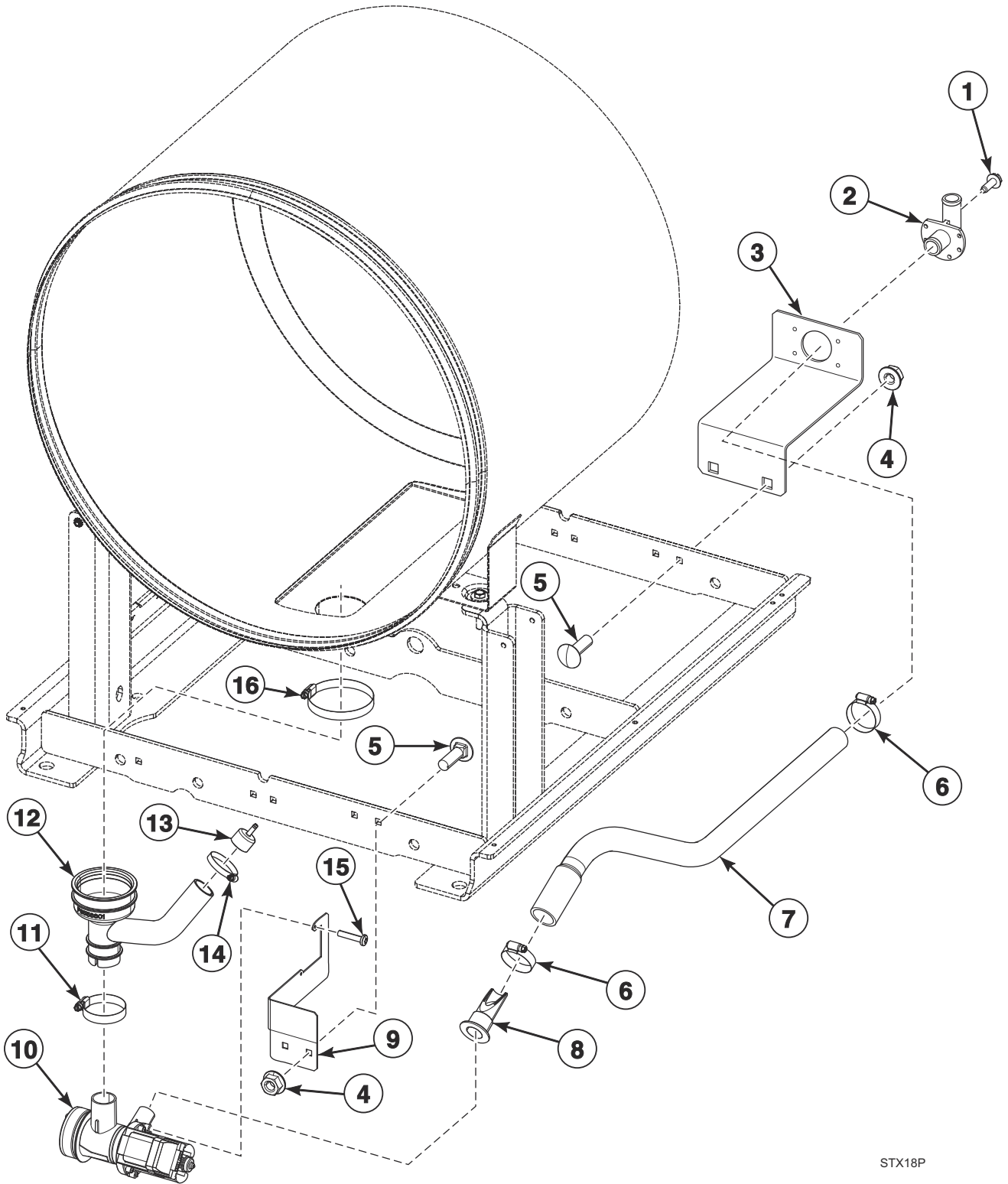
STX33P



## Drain Plumbing

REF	PART NO.	DESCRIPTION	COMMENTS
	F8520002	Drain Valve Harness	
1	F200213	Hose Clamp	
2	F8684902	Overflow Hose	30 pound models
	F8684901	Overflow Hose	50 pound models
3	F8752101	Drain Tee	
4	44087201	Nut	
5	F8402801	Bolt	
6	70334702	Stud	
7	F200201	Hose Clamp	
8	F8543001	Rear Drain Hose	30 pound models
	F8543201	Rear Drain Hose	50 pound models
9	F8543101	Drain Valve Bracket	30 pound models
	F8543301	Drain Valve Bracket	50 pound models
10	70030401	Nut	
11	202175	Screw	
12	F200166302	Drain Valve Kit	3 inch; 120 Volt; Left; NO
	F200166402	Drain Valve Kit	3 inch; 230 Volt; Left; NO; Includes item 14
	F8577201	Drain Valve Kit	3 inch; 230 Volt; Right; NO
13	F8541901	Drain Hose	
14	36802	Hose Clamp	
15	F8579301	Pressure Cap	
16	39282	Hose Clamp	
17	F8405301	Hose	
18	F422500	Connector	
19	F200133600	Drain Valve Cover	

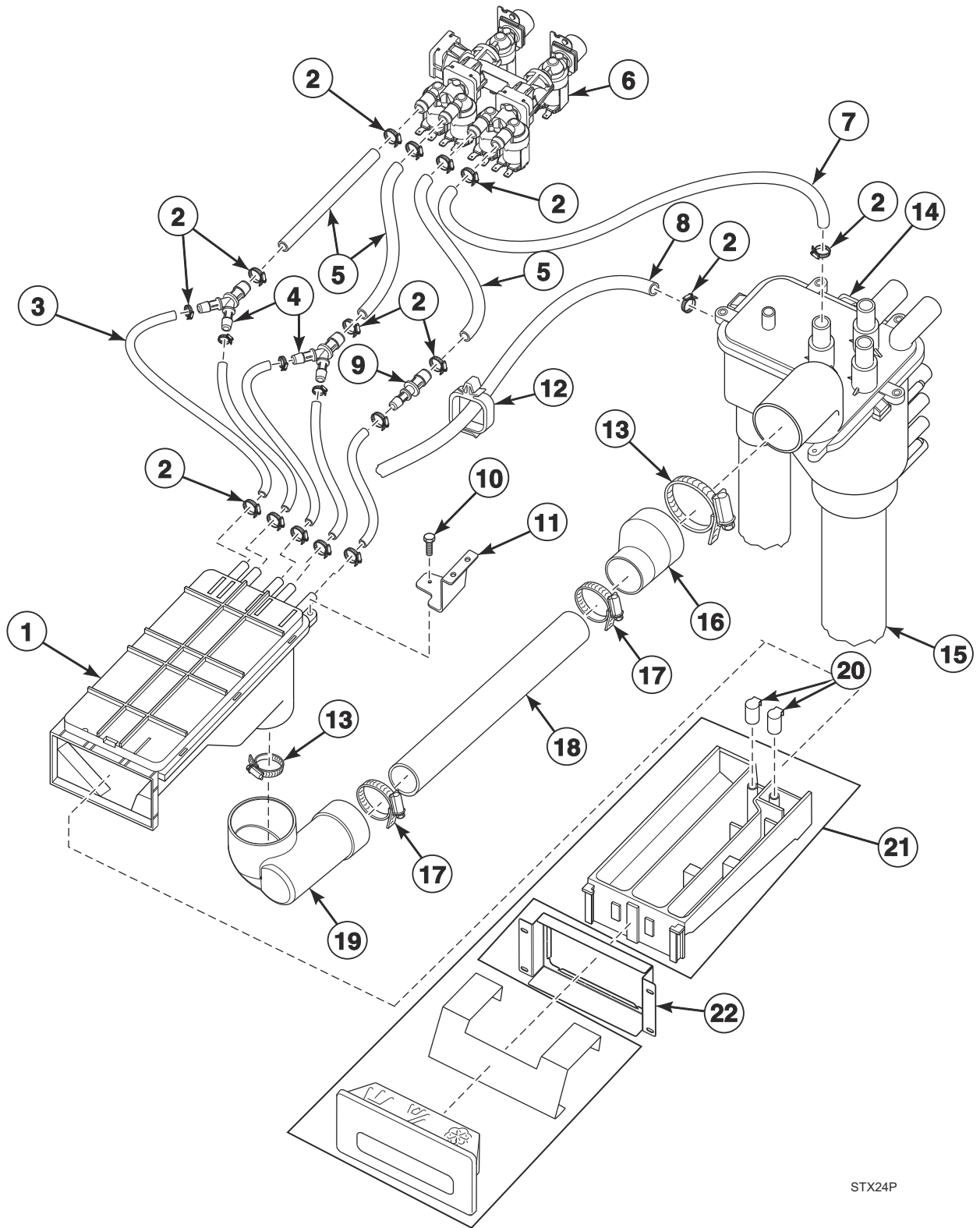
# Pump Drain Plumbing



# Pump Drain Plumbing

REF	PART NO.	DESCRIPTION	COMMENTS
	27154	Drain Hose	Hose to standpipe
	F8520002	Drain Valve Harness	
	F8117601	Screw	
1	F8206901	Screw	
2	35766	Drain Hose Elbow	
3	F8705601	Bracket	Upper; Elbow mount
4	44087201	Nut	
5	F8402801	Bolt	
6	F200204	Hose Clamp	
7	F8557002	Pump Drain Rear Hose	30 pound models
	F8557202	Pump Drain Rear Hose	50 pound models
8	800310	Backflow Preventer	
9	F8557101	Pump Drain Bracket	30 pound models
	F8557301	Pump Drain Bracket	50 pound models
10	805723	Pump Drain and Bracket Assembly	120 Volt/60 Hertz; Yellow
	805613	Pump Drain and Bracket Assembly	208-240 Volt/60 Hertz; Red
11	F200215	Hose Clamp	
12	F8556601	Pump Drain Hose	
13	F8579301	Pressure Cap	
14	36802	Hose Clamp	
15	F8658501	Screw	
16	F200219	Hose Clamp	

# Fill Plumbing

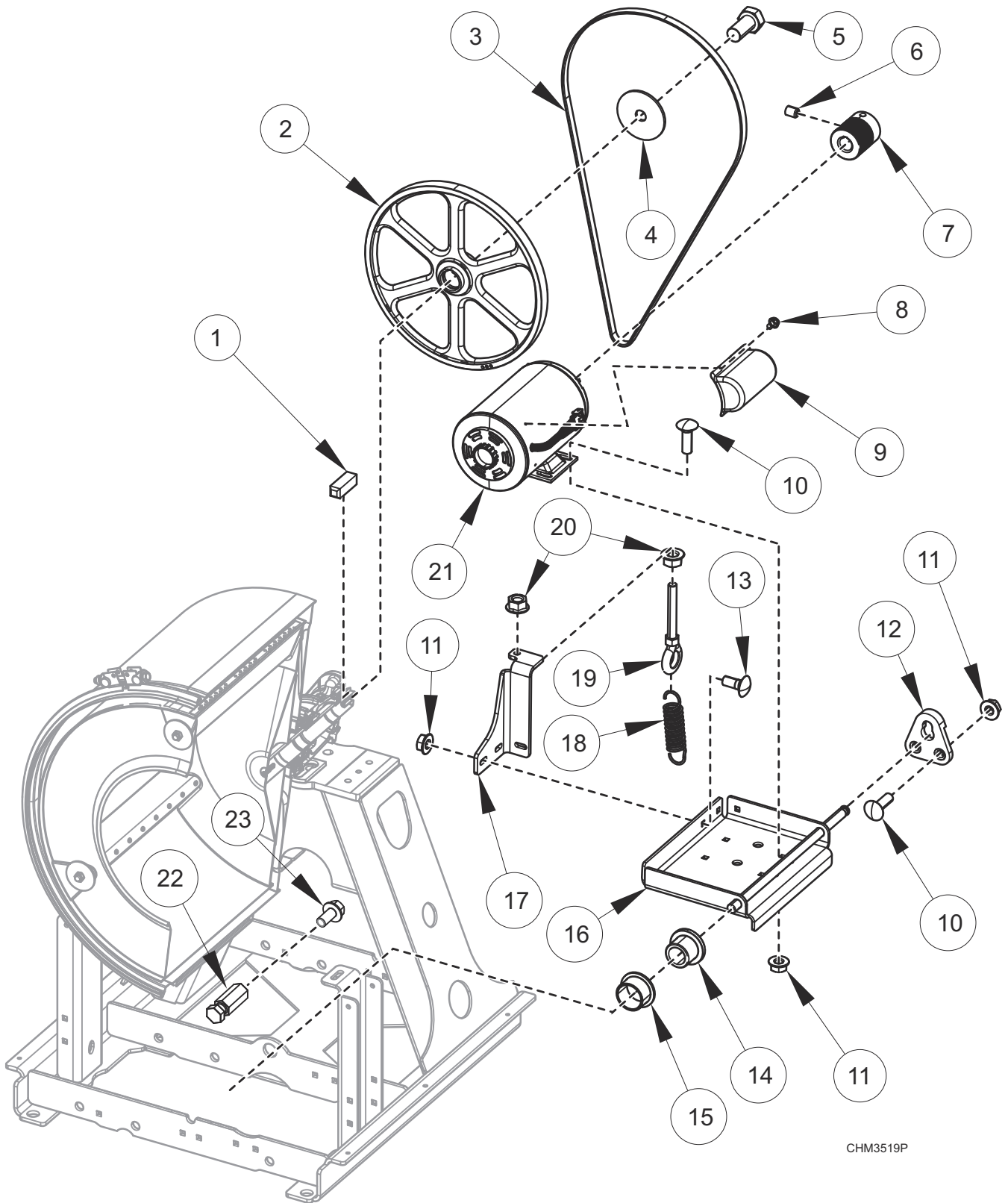


STX24P

## Fill Plumbing

REF	PART NO.	DESCRIPTION	COMMENTS
	F8665601	Water Hose Kit	Standard thread; Red (hot); Includes 20290 Washer and 803615 Washer Filter
	F8665603	Water Hose Kit	Standard thread; Blue (cold); Includes 20290 Washer and 803615 Washer Filter
	F8665602	Water Hose Kit	Metric thread; Red (hot); Includes 20290 Washer and 803615 Washer Filter
	F8665604	Water Hose Kit	Metric thread; Blue (cold); Includes 20290 Washer and 803615 Washer Filter
	F8230301	Screw	
	526497	Screw	
	F8197701	Cap	
	F140605	Cable Tie	
	F8702101	Fill Valve Harness	
	F150443	Plug	
	521546	Overflow	
	203386	Check Valve Kit	IEC models
<b>1</b>	F8697601	Dispenser Assembly	
<b>2</b>	36801	Hose Clamp	
<b>3</b>	F8691401	Hose	
<b>4</b>	F8699401	Y Reducer	
<b>5</b>	F8232007	Hose	30 pound models
	F8232011	Hose	50 pound models
<b>6</b>	F8690601	Valve	Standard
	F8690602	Valve	Metric
<b>7</b>	F8598501	Auxiliary Fill Hose	
<b>8</b>	F8701201	Vent Hose	
<b>9</b>	F8699301	Reducer	
<b>10</b>	430497	Screw	
<b>11</b>	F8712401	Dispenser Mount	Rear
<b>12</b>	F8449501	Wire Clip	
<b>13</b>	F200215	Hose Clamp	
<b>14</b>	F8697801	Mixer Assembly	
<b>15</b>	F8685001	P-Trap Hose	Use F200201 Hose Clamp
<b>16</b>	F8689001	Hose Coupling	
<b>17</b>	F200213	Hose Clamp	
<b>18</b>	F8695204	Chemical Supply Hose	30 pound models
	F8695203	Chemical Supply Hose	50 pound models
<b>19</b>	F8702001	Dispenser Outlet Elbow	
<b>20</b>	521546	Dispenser Siphon Cap	
<b>21</b>	F8713401	Dispenser Handle Assembly	Includes drawer
<b>22</b>	F8712301	Dispenser Mount Bracket	

# Motor, Pulley and Belt - 30 Pound Models

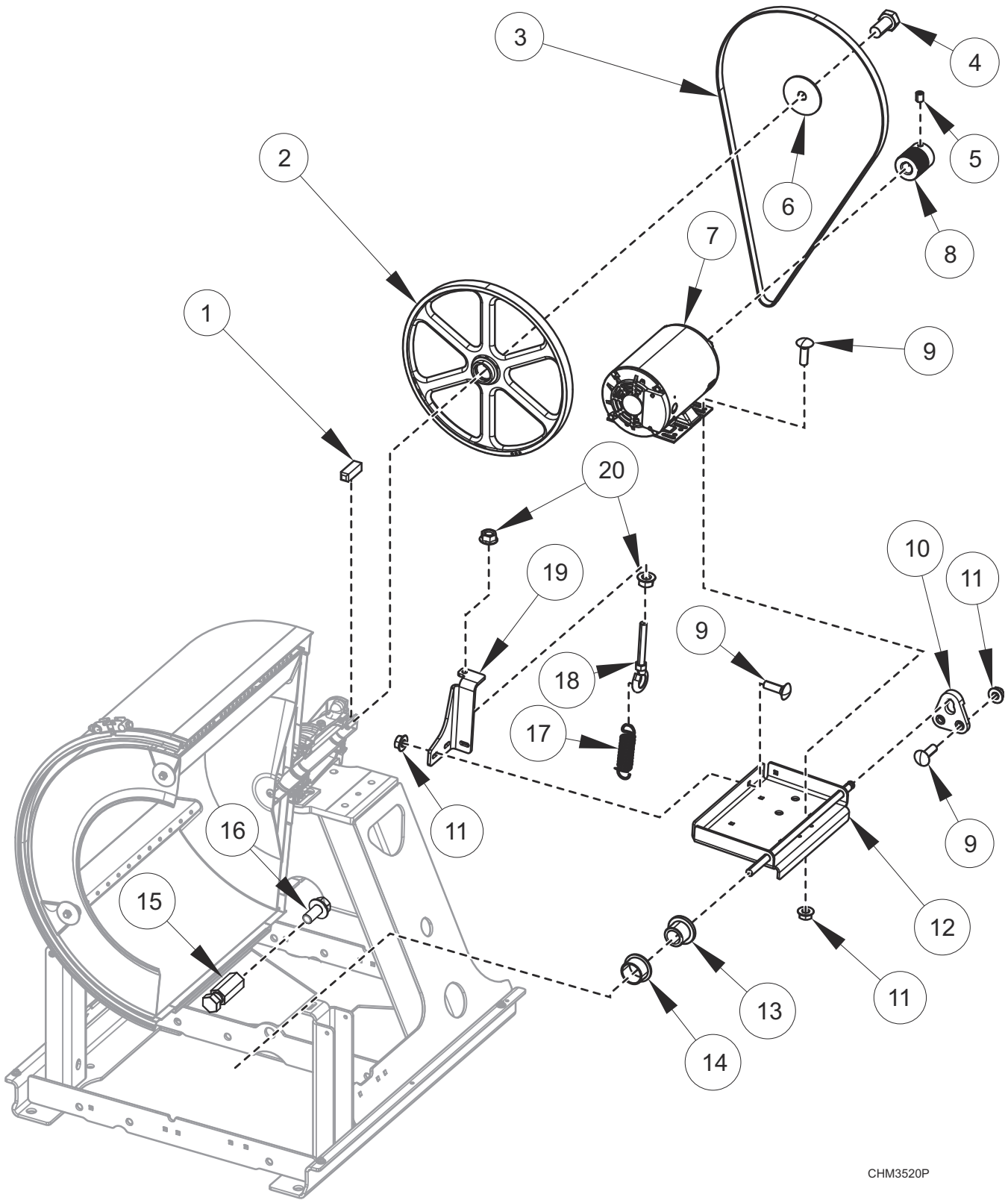


CHM3519P

## Motor, Pulley and Belt - 30 Pound Models

REF	PART NO.	DESCRIPTION	COMMENTS
	F8682501	Motor Harness	1 hp; 120-240 Volt; T and G market models
	F8682502	Motor Harness	1 hp; 380-480 Volt; T and G market models
	F8682505	Motor Harness	1 hp; 120-240 Volt; IEC models
	F8682506	Motor Harness	1 hp; 380-480 Volt; IEC models
	F8748601	Spring Stud Kit	Includes items 22 and 23; Use to replace F8351902 Eye Bolt and 44087201 Nut connected to eye bolt
<b>1</b>	F430801	Key	
<b>2</b>	F8511701	Basket Pulley	
<b>3</b>	F8382812	Belt	Poly-V; 690J6
<b>4</b>	F431115	Washer	
<b>5</b>	F8574001	Screw	
<b>6</b>	M400077	Screw	
<b>7</b>	F8525301	Motor Pulley	
<b>8</b>	23222	Screw	
<b>9</b>	70521901	Motor Conduit Mounting Bracket	
<b>10</b>	F8402801	Bolt	
<b>11</b>	44087201	Nut	
<b>12</b>	F8441101	Motor Rod Plate	
<b>13</b>	F8402801	Bolt	
<b>14</b>	F8535202	Flanged Isolator	
<b>15</b>	F8333302	Flanged Bushing	
<b>16</b>	F8589001	Motor Bracket Weldment	
<b>17</b>	F8581201	Spring Bracket	
<b>18</b>	F310124	Extension Spring	
<b>19</b>	F8319503	Eye Bolt	
<b>20</b>	44087301	Nut	
<b>21</b>	F8509601P	Motor	1 hp; 230 Volt
	F8509701	Motor	1 hp; 460 Volt
<b>22</b>	F8634701	Stud	
<b>23</b>	70126104	Screw	

# Motor, Pulley and Belt - 50 Pound Models



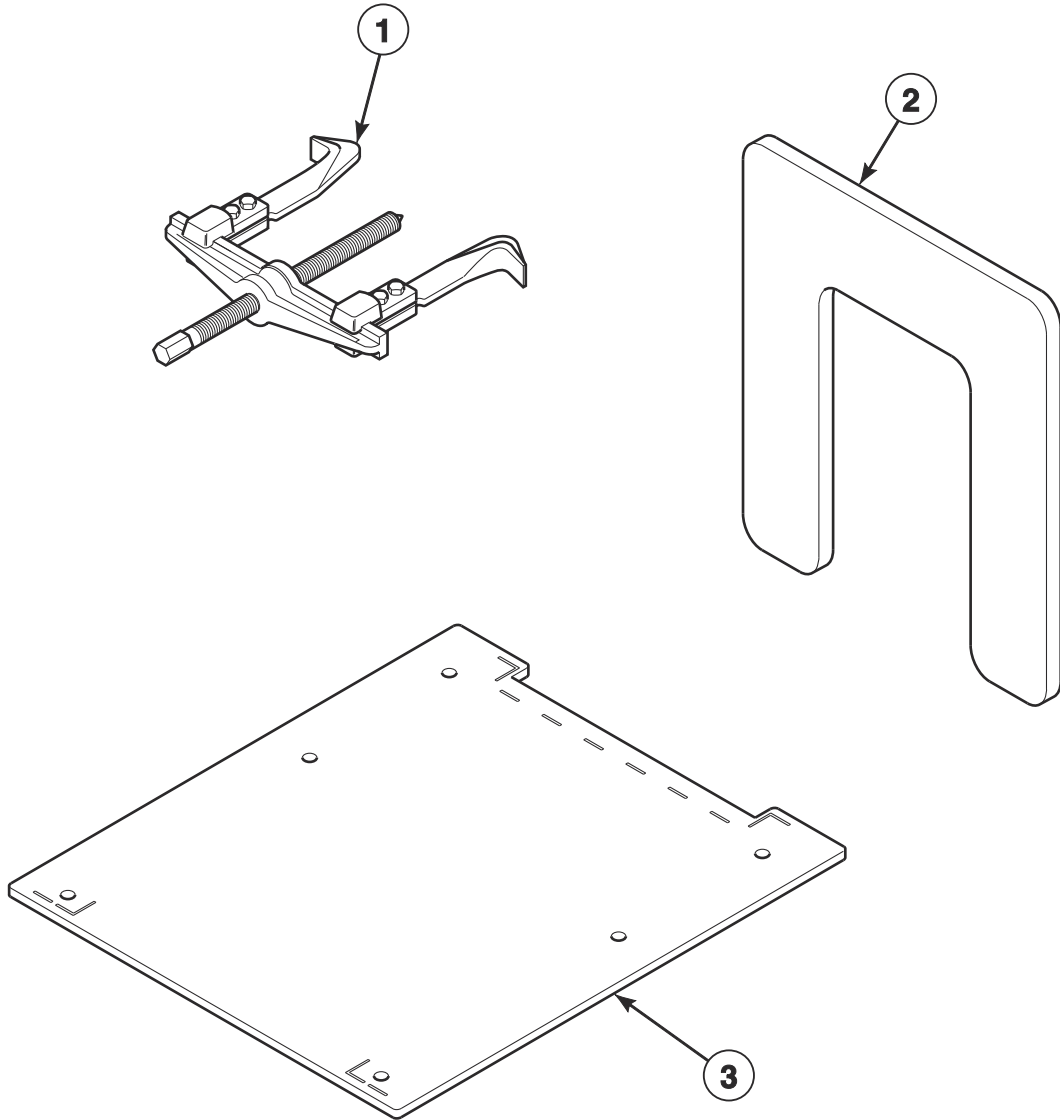
CHM3520P



## Motor, Pulley and Belt - 50 Pound Models

REF	PART NO.	DESCRIPTION	COMMENTS
	F8682503	Motor Harness	2-3 hp; 240 Volt; B and X voltage; T and G market models
	F8682504	Motor Harness	2-3 hp; 480 Volt; N and P voltage; T and G market models
	F8682507	Motor Harness	2-3 hp; 240 Volt; B and X voltage; IEC models
	F8682508	Motor Harness	2-3 hp; 480 Volt; N and P voltage; IEC models
	F8748601	Spring Stud Kit	Includes items 15 and 16; Use to replace F8351902 Eye Bolt and 44087201 Nut connected to eye bolt
<b>1</b>	F430801	Key	
<b>2</b>	F8511701	Basket Pulley	
<b>3</b>	F8382813	Belt	Poly-V; 717J8
<b>4</b>	F8574001	Screw	
<b>5</b>	M400077	Screw	
<b>6</b>	F431115	Washer	
<b>7</b>	F8564101P	Motor	2 hp; 230/460 Volt
<b>8</b>	F8525301	Motor Pulley	
<b>9</b>	F8402801	Bolt	
<b>10</b>	F8441101	Motor Rod Plate	
<b>11</b>	44087201	Nut	
<b>12</b>	F8589002	Motor Bracket Weldment	
<b>13</b>	F8535202	Flanged Isolator	
<b>14</b>	F8333302	Flanged Bushing	
<b>15</b>	F8634701	Stud	
<b>16</b>	70126104	Screw	
<b>17</b>	F310124	Extension Spring	
<b>18</b>	F8319503	Eye Bolt	
<b>19</b>	F8581201	Spring Bracket	
<b>20</b>	44087301	Nut	

# Special Tools and Kits



CHM3486P

## Special Tools and Kits

REF	PART NO.	DESCRIPTION	COMMENTS
	1111P	Concrete Kit	5/8 inch
	389P4	Basket Tool Kit	Purchase; Requires item 1
	390P4-1	Basket Rental Tool Kit	Rental; Requires item 1
	203346	USB IR Interface Kit	
<b>1</b>	F460129P	Basket Puller Tool	
<b>2</b>	F8608502P	Basket Pulley Puller Tool	Use with item 1
<b>3</b>	F8433401	Frame Template	30 pound models
	F8433501	Frame Template	50 pound models

## Labels - Washer-Extractor

<b>PART NO.</b>	<b>DESCRIPTION</b>	<b>COMMENTS</b>
F8614501	Danger Label	English/Quebec/French
44324001	Warning Label	Pinch/Shock; English/French
F8614201	Shock Warning Label	Icon
F8615701	Pinch Warning Label	Icon
F8614301	Hot Surface Warning Label	English/Quebec/French
F8609001	Hot Surface Warning Label	Icon
F8601301	Label	Warning; Underground components
F8609401	Label	Notice; Chemical connection
F8611301	Label	Hot water; Icon
F8611401	Label	Cold water; Icon
F8611601	Warning Label	Warning; English/Quebec/French
F8602401	Label	Notice; Large expansion board
70538401	Pinch Warning Label	English/French
F8615701	Pinch Warning Label	Icon
F8614801	Label	Warning fire/injury; English/Quebec/French

# Parts Index

## A

Access Panel	
F8683601 .....	65
F8688501 .....	65
Access Panel Bracket	
F8702601 .....	65, 69
Adapter	
70131902 .....	45
Air Duct	
70580801 .....	29
70588601 .....	31
Airflow Switch and Arm Bracket	
70319602 .....	41
Airflow Switch Arm	
70319401 .....	41
Airflow Switch Kit	
70429601P .....	41
Airflow Switch Vane	
70319201 .....	41
Airflow Switch Wrapper	
70356101 .....	41
Anti-Rattle Burner Assembly	
70546701 .....	43
App Pay Overlay Kit	
44374701 .....	9, 11
Auxiliary Contact Block	
44313201 .....	53
Auxiliary Fill Hose	
F8598501 .....	83

## B

Back Cover	
F8683901 .....	67
F8688301 .....	67
Backflow Preventer	
800310 .....	81
Base Harness	
70622101 .....	57
Basket	
F8391502 .....	75
F8391702 .....	75
Basket Puller Tool	
F460129P .....	89
Basket Pulley	
F8511701 .....	85, 87
Basket Pulley Puller Tool	
F8608502P .....	89
Basket Rental Tool Kit	
390P4-1 .....	89
Basket Tool Kit	
389P4 .....	89
Bearing	
F100108 .....	77
F100123P .....	77
F100134 .....	77
F100137P .....	77

Bearing Housing	
F8246802 .....	77
F8249902 .....	77
Bearing Housing Assembly	
F8271701P .....	77
F8271801P .....	77
Belt	
F8382812 .....	85
F8382813 .....	87
Blind Rivet	
F8245101 .....	21, 23
Blower Assembly	
70302201P .....	39
70359801P .....	39
Blower Housing	
70665801 .....	39
70665901 .....	39
Blower Housing Cover Assembly	
70322803 .....	39
70341403 .....	39
Blower Housing Outlet Gasket	
70302802 .....	37
70340402 .....	37
Blower Housing Scroll	
70340801 .....	39
Blower Inlet Cone	
70014101 .....	39
70303101 .....	39
Blower Inlet Plate	
70303001 .....	39
70340701 .....	39
Blower Motor Mounting Plate	
70341001 .....	39
Bolt	
F8270701 .....	73
F8402801 .....	69, 79, 81, 85, 87
F8680901 .....	71
Bottom Guard	
70667101 .....	33
70667201 .....	33
Bracket	
F8705601 .....	81
Burner Grill	
70188801 .....	43
70306501 .....	43
Burner Orifice	
70684105 .....	47
70684106 .....	47
70684108 .....	47
70684109 .....	47
70684110 .....	47
70684111 .....	47
70684112 .....	47
70684113 .....	47
70684114 .....	47
70684116 .....	47
70684117 .....	47
70684118 .....	47
70684120 .....	47
70684123 .....	47
70684133 .....	47
70684135 .....	47
70684137 .....	47

N/A items do not appear in index.

70684139 .....	47
70684142 .....	47
70684144 .....	47
70684146 .....	47
70684149 .....	47
Bushing	
70346501 .....	61
Bypass Harness	
44334103 .....	9

## C

Cable Tie	
F140605 .....	83
Cap	
F8197701 .....	83
Caution Label	
70696901 .....	56
Center Cylinder Seal	
70066003 .....	29
70066005 .....	31
Center Pan	
70606001 .....	29
70606701 .....	31
Center Pan Channel	
70606101 .....	29
70606801 .....	31
Center Partition	
70639101 .....	31
70639201 .....	29
Central Pay Harness	
70665301 .....	57
Check Valve Kit	
203386 .....	83
Chemical Injection Control	
F8497401 .....	61
804528 .....	61
Chemical Supply Hose	
F8695203 .....	83
F8695204 .....	83
Circuit Breaker	
70488101 .....	53
70488102 .....	53
Clip	
F8684301 .....	67
70226701 .....	29, 31, 37
Coin Drawer Assembly	
F8182001 .....	15
Coin Drop	
70441601 .....	13
70441603 .....	13
Coin Drop Assembly	
70281102 .....	13
70482401 .....	13
70506901 .....	13
Coin Drop Kit	
CK077 .....	13
Coin Vault Switch Harness	
44334102 .....	9
Communication Harness	
F8682201 .....	61
Concrete Kit	
1111P .....	89

Conduit Plate	
70615501 .....	51
70615503 .....	55
Connector	
F422500 .....	79
Contactora	
70482601 .....	61
70482701 .....	53
Contactora Bracket	
70615401 .....	51
Contactora Bracket Assembly	
70628501 .....	53
Contactora Harness	
F8685101 .....	61
Control Assembly	
F8746201 .....	9
70576201P .....	9
70697102 .....	11
Control Bezel	
70642001 .....	21
Control Bracket	
70581001 .....	9
70581002 .....	9, 11
70581101 .....	9, 11
Control Door Latch	
431318 .....	9, 11
Control Harness	
70612201 .....	57
70612203 .....	57
Control Tray Assembly	
F8689602 .....	61
F8690503 .....	61
F8690504 .....	63
F8690506 .....	63
Control Tray Cover	
F8681701 .....	67
Control Tray Support	
F8701001 .....	61
Conversion Kit	
70696804 .....	51
70696808 .....	51
Cylinder Assembly	
70372502P .....	25
70372902P .....	25
Cylinder Bearing Stud Plate Assembly	
430352 .....	27, 29, 31
Cylinder Guide Tool	
263P4 .....	25
Cylinder Shroud	
70301901 .....	31
70301902 .....	31
70339301 .....	29
70339302 .....	29

## D

Danger Label	
F8614501 .....	56, 90
DIN Rail	
B12315401 .....	61
Dispenser Assembly	
F8697601 .....	83

N/A items do not appear in index.

Dispenser Handle Assembly F8713401 .....	83	Door Lock Harness F8520202 .....	73
Dispenser Mount F8712401 .....	83	Door Lock Microswitch F200203200 .....	73
Dispenser Mount Bracket F8712301 .....	83	Door Lock Plate Assembly F8223202 .....	73
Dispenser Outlet Elbow F8702001 .....	83	Door Lock Plate Shim F83344401 .....	73
Dispenser Siphon Cap 521546 .....	83	Door Lock Solenoid Replacement Kit F977P3 .....	73
Door F8651401 .....	71	Door Lock Switch Lever F8223401 .....	73
F8651501 .....	71	Door Ring Assembly 44354802 .....	17
Door Assembly F8617312 .....	71	70597502 .....	17
F8617412 .....	71	Door Ring Gasket 44008201P .....	17
44354702 .....	17	70296801 .....	17
70597702 .....	17	Door Seal Kit 70211902P .....	17
Door Bezel F8658901 .....	65	Door Switch Actuator 70532101 .....	17
F8659101 .....	65	Double Ended Stud 70334701 .....	35
Door Catch Kit 70482901 .....	21	Dowel Pin F8388201 .....	77
Door Gasket F8111502 .....	71	Drain Hose F8541901 .....	79
F8111602 .....	71	27154 .....	81
Door Glass F8485301P .....	71	Drain Hose Elbow 35766 .....	81
F8485401P .....	71	Drain Tee F8752101 .....	79
M400784P .....	17	Drain Valve Bracket F8543101 .....	79
44008401P .....	17	F8543301 .....	79
Door Glass Installation Tool M4221P4 .....	17	Drain Valve Cover F200133600 .....	79
Door Glass Seal Kit 70211901P .....	17	Drain Valve Harness F8520002 .....	79, 81
Door Glass Trim F8583202 .....	71	Drain Valve Kit F200166302 .....	79
F8583203 .....	71	F200166402 .....	79
Door Handle F8624603 .....	71	F8577201 .....	79
44007901 .....	17	Drive Assembly F8495401P .....	59
44007902P .....	17	F8496001 .....	59
Door Handle Spaer F8223701 .....	71	Drive Communication Harness F8682001 .....	59
Door Hinge 70595502 .....	17	Drive Motor 44355001 .....	35
Door Hinge Assembly F8647401 .....	71	44355002 .....	35
70596601 .....	17	Drive Mounting Bracket F8322401 .....	59
Door Hinge Lug Assembly 44035003 .....	17	Drive Panel Assembly F8689601 .....	59, 61
70597602 .....	17	F8689602 .....	59
Door Hinge Shim Kit F200131000P .....	71	F8689603 .....	59
Door Latch M401223 .....	21	Drive Plate 70571901 .....	35
Door Latch Arm Assembly F8221403 .....	71	Drive Power Harness F8518601 .....	59
Door Lock Assembly F8632401 .....	73	F86822101 .....	59
Door Lock Catch F8344501 .....	73	F86822102 .....	59
Door Lock Cover F8245001 .....	73		

N/A items do not appear in index.

F86822103 .....	59
Drywall Screw Magnet Kit 70343101P .....	25
Duct Cover 70478101 .....	37
Duct Damper 70307301 .....	37
70343501 .....	37

## E

Electric Sub Panel F8683401 .....	59
Electronic Coin Drop Assembly 70513304 .....	13
70513311 .....	13
Electronic Coin Drop Kit CK099 .....	13
CK115 .....	13
CK116 .....	13
Emergency Stop Bypass Harness F8519403 .....	63
EMI Filter F8591601 .....	51, 63
F8591801 .....	63
F8637501 .....	51, 63
Emissions Shield Bracket 70671801 .....	55
End Cap 70070101 .....	25
End Stop F8449801 .....	53, 61
Excluder Seal F8336901 .....	75
F8337001 .....	75
Exhaust Assembly 70478001 .....	37
70644102 .....	37
70669203 .....	37
70669204 .....	37
Exhaust Duct 70643701 .....	37
70643801 .....	37
70668901 .....	37
70669001 .....	37
Exhaust Duct Cover F8690401 .....	37
70643901 .....	37
Exhaust Duct Damper Plate 70644001 .....	37
70669101 .....	37
Exhaust Duct Gasket 70302803 .....	37
70340403 .....	37
Exhaust Duct Pad 70302804 .....	37
70340404 .....	37
Exhaust Duct Partition 70302601 .....	37
Exhaust Pipe 44154301 .....	37
Exhaust Pipe Assembly 70425801 .....	37

Expansion Clip 70030501 .....	29, 31, 33, 51, 53, 59, 61, 65, 67, 69, 73
Extension Spring F310124 .....	85, 87
Eye Bolt F8319503 .....	85, 87

## F

Fan F8504301 .....	53
Fan Motor 44354901 .....	39
44354903 .....	39
Fan Mount Bracket 70664901 .....	53
Fill Valve Harness F8702101 .....	83
Flanged Bushing F8333302 .....	85, 87
Flanged Isolator F8535202 .....	85, 87
Foam Gasket 70598101 .....	23
Frame Template F8433401 .....	89
F8433501 .....	89
Front Air Duct 70573701 .....	29
70573702 .....	29
70588301 .....	31
70588302 .....	31
Front Cylinder Seal 70173402 .....	19
Front Panel F8642701 .....	65
F8642702 .....	65
F8642705 .....	65
F8687201 .....	65
F8687202 .....	65
F8687205 .....	65
Front Panel Seal 70173401P .....	19
F8681601 F8681601 .....	61
F8700801 .....	61
F8700901 .....	61

## G

Gas Burner 70229801P .....	43
Gas Valve 44154507 .....	45
44154508 .....	45
Gas Valve Bracket 70645401 .....	45
Gas Valve Harness 70613901 .....	45
Gas Valve Manifold 70659201 .....	45

N/A items do not appear in index.



Gasket	
70289101P .....	19, 37
70392701P .....	39
Ground Lug Connector	
M411283 .....	51, 55, 61
Guard Bracket	
70626201 .....	33

## H

Harness	
F8528005 .....	63
F8528006 .....	63
F8598302 .....	75
70622201 .....	9
70641701 .....	57
70641702 .....	57
70641706 .....	57
70641707 .....	57
Heat Shield Contactor Bracket	
70664801 .....	53
Heater Element	
70034401P .....	49
70034402P .....	49
70034403P .....	49
70034417 .....	49
70034418P .....	49
High Altitude Orifice Kit	
70609909 .....	47
70609910 .....	47
70609911 .....	47
70609912 .....	47
High Voltage Suppression Cable	
44239701 .....	43, 45
Hinge Cam Kit	
70622401 .....	17
Hose	
F8232007 .....	83
F8232011 .....	83
F8405301 .....	79
F8691401 .....	83
Hose Clamp	
F200201 .....	79
F200204 .....	81
F200213 .....	79, 83
F200215 .....	81, 83
F200219 .....	81
36801 .....	83
36802 .....	79, 81
39282 .....	9, 11, 79
Hose Coupling	
F8689001 .....	83
Hot Surface Warning Label	
F8609001 .....	56, 90
F8614301 .....	56, 90

## I

Idler Wheel Assembly	
70050401P .....	35
Igniter Cover	
70159601 .....	43

Ignition Control	
70482001 .....	51
70482002 .....	51
Input and Output Control Assembly	
F8494101P .....	61
Insulation	
70465902 .....	53
Insulator	
M413862 .....	51, 55, 61, 63
Inverter Control Assembly	
70603001 .....	51, 53
70603201 .....	51, 53
Inverter Power Conversion Harness	
70671001 .....	57
I/O Board Tray	
70615102 .....	51
70628401 .....	51, 53
I/O Control Assembly	
70671701 .....	51, 53

## J

Jumper Bar	
70066501 .....	49
Jumper Harness	
70641703 .....	57
70641709 .....	49
70641710 .....	49
Jumper Strip	
M400869 .....	49
Junction Box Harness	
70612101 .....	57

## K

Key	
F160420 .....	15
F430801 .....	85, 87
70155601 .....	21
70155602 .....	23

## L

Label	
D503887 .....	56
D516100 .....	51, 55, 61
F8601301 .....	90
F8602401 .....	90
F8609401 .....	90
F8611301 .....	67, 90
F8611401 .....	67, 90
F8614801 .....	90
44286801 .....	51, 55, 61
44286803 .....	51, 55, 61
70531802 .....	53
70531803 .....	53
Label Kit	
F8605500 .....	56
F8614500 .....	56
70534300 .....	19
70535100 .....	56

N/A items do not appear in index.

Left Panel	
F8710704W .....	69
F8710804W .....	69
F8710904W .....	69
F8711004W .....	69
Lever Arm and Belt Kit	
70655102 .....	35
70655103 .....	35
Lever Arm and Bushing Assembly	
70653801 .....	35
Limit Thermostat	
44328001 .....	39
44328005 .....	43
44328007 .....	49
44328104 .....	43
70530901 .....	39
Lint Box Gasket	
70593901 .....	21
Lint Door Support	
70594401 .....	23
70598201 .....	23
Lint Front Assembly	
70567401 .....	23
70588101 .....	23
Lint Screen Assembly	
70596101 .....	23
70596102 .....	23
Lint Screen Bracket	
70595701 .....	23
70595702 .....	23
Lint Screen Shim	
70605601 .....	23
Lint Seal Shoulder Bracket	
70605701 .....	21
Lock Pull	
70642201 .....	23
Lock, Key and Nut Kit	
44089301P .....	21
70722301 .....	23
L.P. Conversion Kit	
70550208 .....	45
70550209 .....	45
70550210 .....	45
70550211 .....	45
70551907 .....	45
70551908 .....	45
L.P. Valve	
44154504 .....	45

## M

Machine ID Control Assembly	
203361P .....	9, 11
Magnet	
F8390801 .....	71
70343101 .....	23
Main Harness	
70622001 .....	9, 11
Mixer Assembly	
F8697801 .....	83
Motor	
F8509601P .....	85
F8509701 .....	85
F8564101P .....	87

Motor Bracket Weldment	
F8589001 .....	85
F8589002 .....	87
Motor Conduit Mounting Bracket	
70521901 .....	85
Motor Harness	
F8682501 .....	85
F8682502 .....	85
F8682503 .....	87
F8682504 .....	87
F8682505 .....	85
F8682506 .....	85
F8682507 .....	87
F8682508 .....	87
Motor Mount Plate	
70564201 .....	35
Motor Pulley	
F8525301 .....	85, 87
Motor Rod Plate	
F8441101 .....	85, 87

## N

Nameplate	
F8443105 .....	21
F8688001 .....	21
F8688901 .....	21
F8754301 .....	21
567887 .....	21
Notice Label	
D516073 .....	56
F8609501 .....	56
44321501 .....	56
70534201 .....	56
70535901 .....	45
70539601 .....	56
Nut	
C001236 .....	71
F430215 .....	69, 71
F430218 .....	75
F430225 .....	73
F430232 .....	71, 73
F431024 .....	73
F431041 .....	71
F8387701 .....	77
M400022 .....	27
M400034 .....	27
M412986 .....	25, 27
M414215 .....	17
Q6163 .....	49
29786 .....	39
430576 .....	29, 31
44087101 .....	23
44087201 .....	35, 69, 79, 81, 85, 87
44087301 .....	35, 75, 85, 87
44088001 .....	9, 17, 51, 55, 61
44088801 .....	21, 23
56156 .....	35
70030401 .....	29, 31, 65, 69, 79
70288801 .....	29, 31
70688901 .....	39
N.G. Valve	
44154503 .....	45

N/A items do not appear in index.

---

**O**

Opto Coupler	
200674P .....	13
O-Ring	
431482 .....	45
Overflow	
521546 .....	83
Overflow Hose	
F8684901 .....	79
F8684902 .....	79

---

**P**

Panel Latch	
70399201 .....	23
Panel Locator	
56079 .....	37, 65, 67, 69
Pin	
F8302701 .....	75
70071401 .....	17
Pinch Warning Label	
F8615701 .....	56, 90
70538401 .....	56, 90
Pipe Nipple	
70612604 .....	45
Plate Assembly	
70633001 .....	9, 11
70633002 .....	9
70633003 .....	9
70633004 .....	9
70633005 .....	9
70633006 .....	9
Plug	
F150443 .....	83
F8223901 .....	67
M400985 .....	51, 61, 67
70167601 .....	45
Pop Rivet	
F431223 .....	71
M400003 .....	9, 11, 51, 55, 61
44166601 .....	21
70058501 .....	17, 29, 31, 61, 69
Porcelain Touch-Up Paint	
122P4P .....	29, 31
Power Distribution Block	
M413865 .....	55
Power Distribution Block Cover	
44014901P .....	55
Power Harness	
F8681801 .....	61
F8681802 .....	61
F8681901 .....	61
F8682301 .....	61
F8682302 .....	61
F8710401 .....	63
F8710402 .....	63
F8710501 .....	63
F8710502 .....	63
F8711101 .....	63
70611402 .....	57
70611403 .....	57
70611405 .....	57

70611407 .....	57
70611501 .....	57
70611502 .....	57
70611503 .....	57
70611504 .....	57
70611505 .....	57
70611506 .....	57
70611507 .....	57
70611508 .....	57
70611801 .....	57
70613401 .....	57
70613402 .....	57
70613403 .....	57
70613404 .....	57

Pressure Cap	
F8579301 .....	79, 81
Pressure Sensor	
F8623401 .....	9, 11
Pressure Sensor Harness	
F8682401 .....	9
Primary Air Adjustment Sleeve	
70239801 .....	45
P-Trap Hose	
F8685001 .....	83
Pump Drain and Bracket Assembly	
805613 .....	81
805723 .....	81
Pump Drain Bracket	
F8557101 .....	81
F8557301 .....	81
Pump Drain Hose	
F8556601 .....	81
Pump Drain Rear Hose	
F8557002 .....	81
F8557202 .....	81
Pushbutton Switch	
70413301 .....	21

---

**R**

Rear Bearing Shim	
70355001 .....	27
Rear Center Pan	
F8708301 .....	67
F8708401 .....	67
Rear Cover	
70650901 .....	33
Rear Cylinder Bearing Housing	
70013901 .....	27
Rear Cylinder Channel	
70257101 .....	25
70305201 .....	25
Rear Cylinder Channel Plate	
70257201 .....	25
70305301 .....	25
Rear Cylinder Seal	
70013701P .....	27, 29
70013703P .....	27, 31
Rear Cylinder Seal Support	
70506402 .....	27, 29
70506403 .....	27, 31
Rear Drain Hose	
F8543001 .....	79
F8543201 .....	79

N/A items do not appear in index.

Rear Guard	430497	21, 23, 25, 29, 31, 33, 37, 39, 41, 43, 49, 51, 53, 55, 61, 67, 83
70616001	430757	41
70616002	44349101	17
70627401	44364601	39
70627701	44364603	35
70633601	51780	33, 39
70633602	51783	51, 55, 61, 63
Rear Guard Bracket	526497	83
70669301	62588	25
70669401	685837	51, 55, 61
Rear Panel	70033502	17
70616601	70126104	85, 87
70616602	70275801	37, 67, 69
70627201	70356301	59
Reducer	70391101	25
F8699301	70436301	17
Reed Switch Assembly	70442101	17
F8066804	70501301	35
Reed Switch Box	70508301	35
70606301	70546301	35
Replacement Screen Kit	70576101	17
70576501P	70672501	45
Retaining Ring	70689401	17
F8337801	Seal Scupper Pad	
F8345001	F8350301	77
Right Panel	F8350302	77
F8710703W	Shaft Seal Sleeve Kit	
F8710803W	F8343904P	75
F8710903W	F8343906P	75
F8711003W	Sheet Metal Edge Gasket	
Rivet	70015707	31
M412763	70015708	31
Roller and Seal Kit	70015711	29
70616701	70015712	29
Roller Seal	Shell	
70443601	F8512201	75
Roller Shaft	F8512203	75
70249501	F8514001	75
Roller Support Bracket	F8514003	75
70584901	Shell Band Kit	
70588901	F8357802	75
	F8537803	75
	Shell Front	
	F8652901	75
	F8653001	75
	Shock Warning Label	
	F8614201	56, 90
	F8614401	56
	Side Guard	
	70667301	33
	70667401	33
	Side Panel	
	70663301W	29
	70663401W	31
	Side Panel Brace Bracket	
	F8710601	69
	Snap Bushing	
	M411826	9, 43
	Spacer	
	F431901	73
	70488403	35
	Spark Electrode	
	70654201	43
	Spray Paint	
	298P4P	29, 31

N/A items do not appear in index.

Spring	70571801 .....	35
Spring Bracket	F8581201 .....	85, 87
Spring Catch Bracket	70543401 .....	35
Spring Pin	F431222 .....	71
Spring Stud Kit	F8748601 .....	85, 87
Standoff	70569603 .....	35
Stove Back	70371501 .....	43
	70375201 .....	43
Stove Cover	70306301 .....	43
	70652301 .....	49
	70652401 .....	43
Stove Grill	70214901 .....	49
Stove Limit Harness	70613801 .....	43
	70613803 .....	49
Stove Partition	70306101 .....	43
Stove Shield	70652001 .....	49
Stove Top and Sides	70647101 .....	43
	70647801 .....	43
	70654001 .....	49
Strain Relief	44368601 .....	67
Stud	F8231001 .....	69
	F8634701 .....	85, 87
	70334702 .....	79
Suction Cup	70633801 .....	9
Support Bearing	70448701 .....	27
Switch	70411901 .....	41
Switch Bracket	70356301 .....	41

---

<b>T</b>		
Temperature Probe Grommet	2251000400 .....	75
Tensioning Bracket	70569501 .....	35
Terminal	00622SG .....	51, 55, 61
Terminal Block	430642 .....	51, 55, 61, 63
Terminal Block Shield	70333001 .....	51, 55, 61, 63
Thermistor	F8538801 .....	75
	M414704 .....	39

Thermostat Cover	M414477 .....	43
Top Panel	70302101 .....	31
	70339601 .....	29
Torsion/Door Lock Spring	F8070301 .....	73
Transformer	F8491101 .....	51, 53, 61
	202757 .....	61
	202758 .....	61
Transformer Harness	F8702501 .....	61
	F8702502 .....	61
	70612001 .....	57
	70612002 .....	57
Triple Lip Seal	F8203802 .....	77
	F8203803 .....	77
Trunnion and Seal Kit	70564803 .....	25
	70564805 .....	25
Tubing	203478 .....	9, 11

---

## U

Upper Front Panel Assembly	70704104 .....	19
	70704204 .....	19
USB IR Interface Kit	203346 .....	89
USB-Serial Interface Assembly	203440 .....	11

---

## V

Valve	F8690601 .....	83
	F8690602 .....	83
Valve Panel	F8688201 .....	67
Valve Support Bracket	F8701101 .....	67
Vault Front Plate	F8550301 .....	15
Vend Activation Harness	70577101 .....	9
Vent Hose	F8701201 .....	83

---

## W

Warning Label	F8611601 .....	56, 90
	44321601 .....	56
	44324001 .....	90
	44324101 .....	56
	70534301 .....	19
	70534302 .....	19
	70534305 .....	56

N/A items do not appear in index.

70536301 .....	56
Washer	
F430339 .....	77
F431115 .....	85, 87
F431133 .....	71
F431916 .....	71
F8193101 .....	73
F8402701 .....	75
M400080 .....	69, 75
M400081 .....	75
M400991 .....	27, 39
70261401 .....	29, 31
70411301 .....	25
Water Hose Kit	
F8665601 .....	83
F8665602 .....	83
F8665603 .....	83
F8665604 .....	83
Wire Channel	
70301101 .....	29, 31
Wire Clip	
F8449501 .....	51, 53, 67, 83
F8449502 .....	51, 53
Wire Guard	
201595P .....	13
Wire Label	
44286802 .....	51, 55
44286804 .....	51, 55, 61

---

## Y

Y Reducer	
F8699401 .....	83

---