

Drying Tumblers

150 Pound Capacity

Refer to Page 3 for Model Numbers

Parts



www.alliancelandry.com

Part No. M411449R6
August 2017

Table of Contents

Title	Page
Parts Ordering Information.....	2
Serial Plate Location	2
Model Identification	3
Single Timer Control	4
Dual Timer Controls	6
Temperature Controls	8
Access and Lint Panels.....	10
Front Panels.....	12
Loading Door	14
Lint Screen and Frame	16
Drive Guard Components	18
Drive Sheave, Step Pulley and Belts	20
Trunnion Bearings.....	22
Cylinder and Trunnion Assembly	24
Cylinder Drive Motor	26
Fan and Motor.....	28
Exhaust System Components.....	30
Control Thermostats	32
Gas Burner and Controls	34
Steam Heating Unit.....	36
Airflow Switch.....	38
Reversing Controls	40
Parts Index.....	43

© Copyright 2017, Alliance Laundry Systems LLC

All rights reserved. No part of the contents of this book may be reproduced or transmitted in any form or by any means without the expressed written consent of the publisher.

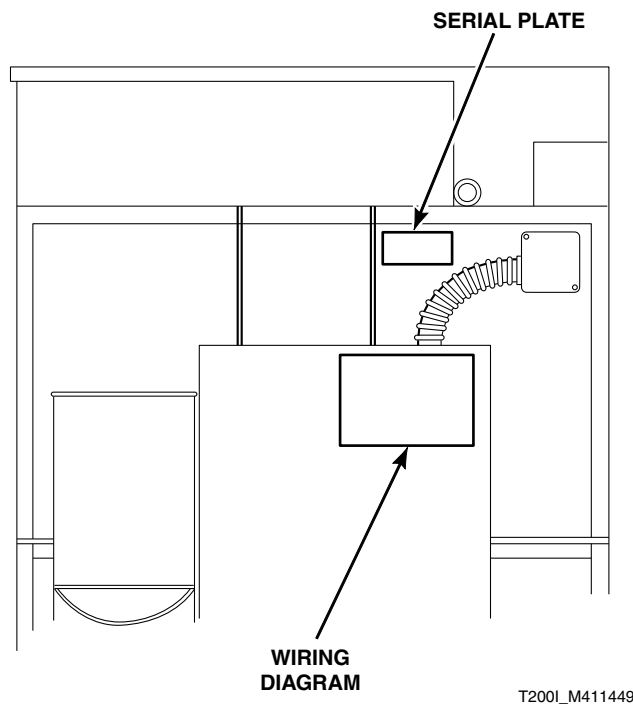
Parts Ordering Information

If literature or replacement parts are required, contact the source from whom the machine was purchased or contact Alliance Laundry Systems at (920) 748-3950 for the name and address of the nearest authorized parts distributor.

For technical assistance, call (920) 748-3121.

Serial Plate Location

When calling or writing about your product, be sure to mention model and serial numbers. Model and serial numbers are located on serial plate(s) as shown.



Model Identification

Information in this manual is applicable to these tumbler models:7

JT150CG
JT150CSH

JTD150CG
JTD150CSH

ST150CG
ST150CSH

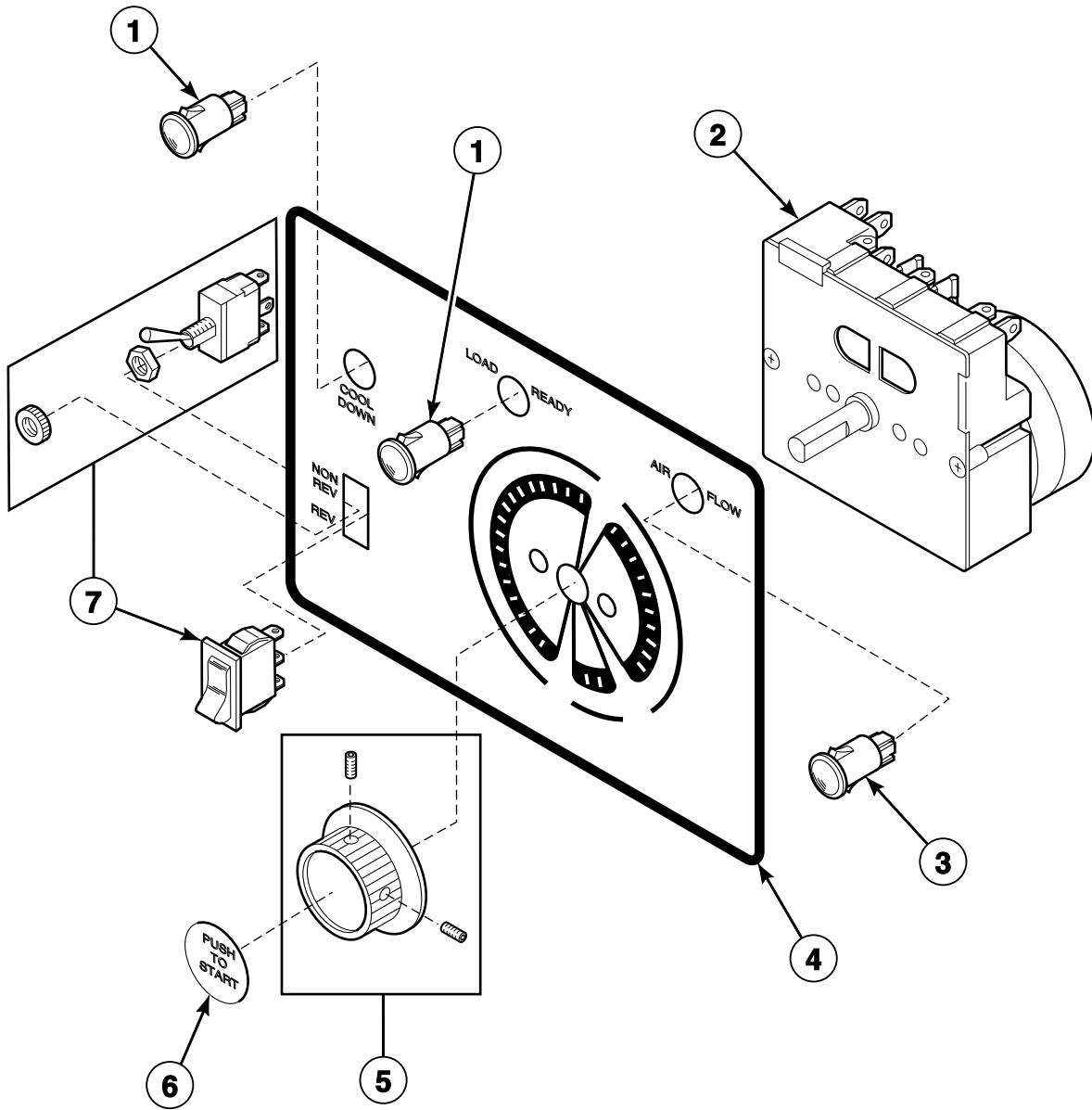
STD150CG
STD150CSH

Control Suffixes:

MT – manual timer

Single Timer Control

Models JT150CG, JT150CSH, ST150CG and ST150CSH



TMB2212P_M411449

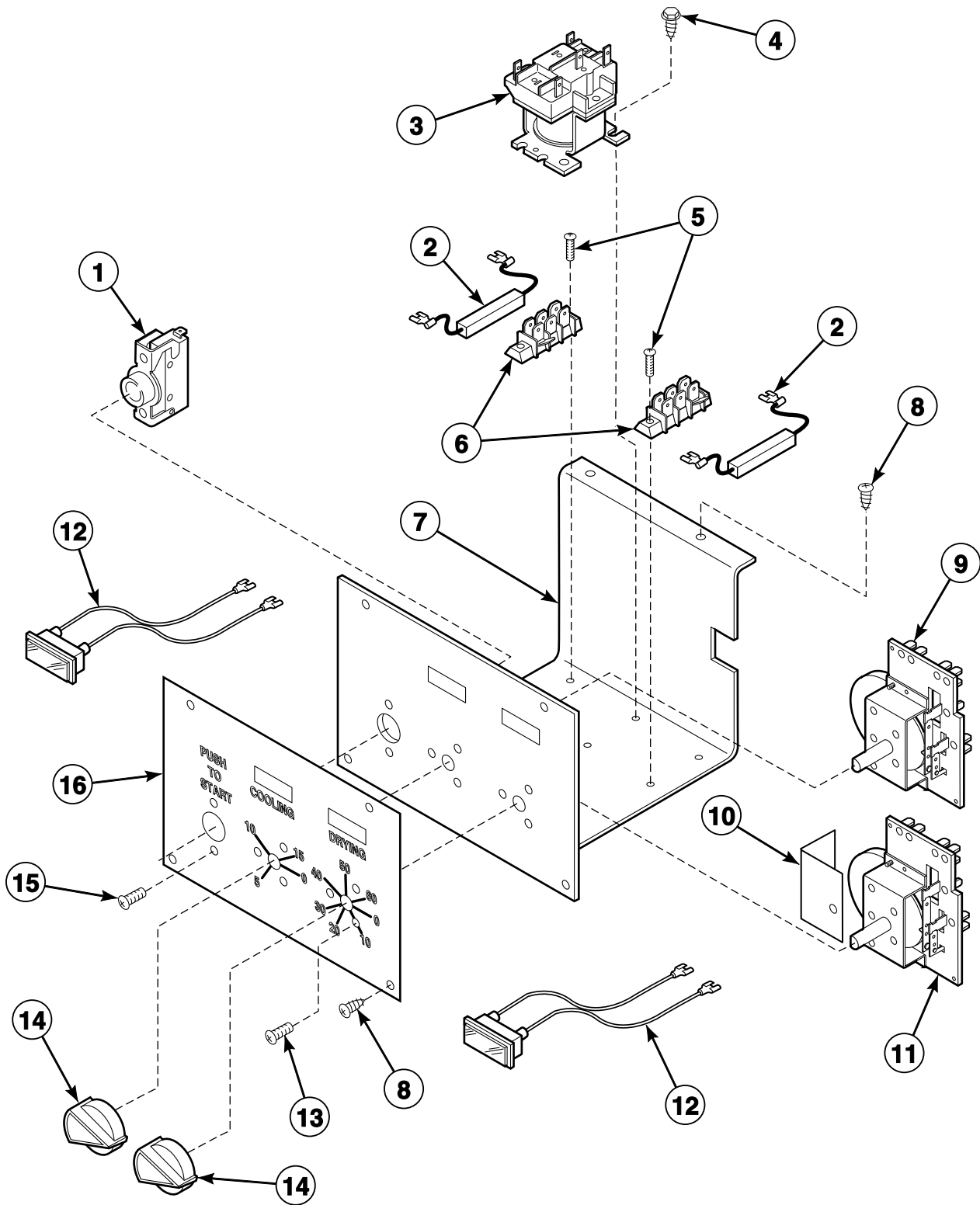
Single Timer Control

REF	PART NO.	DESCRIPTION	COMMENTS
1	N/A	Light	Cool-down or ready
2	N/A	Timer	3 cycle; 50 Hertz
	N/A	Timer	3 cycle; 60 Hertz
3	N/A	Light	Airflow
4	N/A	Timer Label	Silver
	N/A	Timer Label	Black
5	H83901157	Control Knob	
6	N/A	Push-to-Start Label	
7	M400945	Toggle Switch	Reversing; Includes nut
	M413270	Rocker Switch	Reversing/nonreversing

N/A = Part no longer available

Dual Timer Controls

Models JTD150CG, JTD150CSH, STD150CG and STD150CSH



T239P_M411449

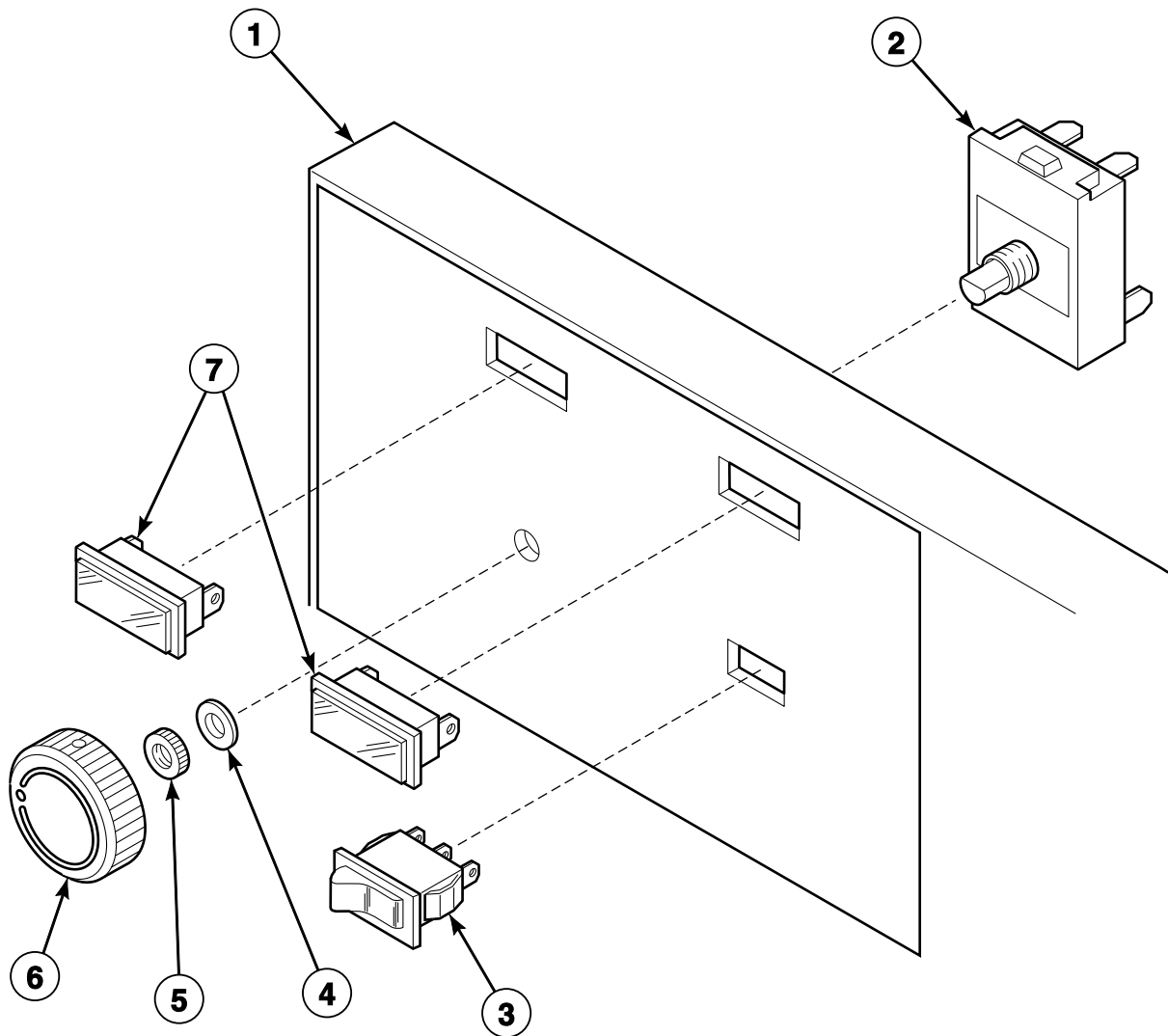
Dual Timer Controls

REF	PART NO.	DESCRIPTION	COMMENTS
1	44106901P	Push-to-Start Switch Kit	
2	M410992	Resistor Assembly	60 Hertz
3	M400911P	Relay	
4	51780	Screw	
5	M400071	Screw	
6	N/A	Terminal Bracket	
7	N/A	Timer and Panel Box	
8	M400664	Screw	
9	M410902P	Timer Kit	Cooling; Mallory; 50 Hertz
	M410900P	Timer Kit	Cooling; Mallory; 60 Hertz
10	N/A	Fishpaper	
11	M410903P	Timer Kit	Drying; Mallory; 50 Hertz
	M410901P	Timer Kit	Drying; Mallory; 60 Hertz
12	M400704	Pilot Light	
13	M411052	Screw	Truss
14	M400773	Knob	Timer; Black with silver dot
	M410927	Knob	Timer; Black with white dot; Models JTD150CG and JTD150CSH
15	M400072	Screw	
16	N/A	Graphic Panel	Timer; Silver
	M410869	Graphic Panel	Timer; Black; Models JTD150CG and JTD150CSH
	N/A	Graphic Panel	Timer; Black; Models STD150CG and STD150CSH

N/A = Part no longer available

Temperature Controls

Models STD150CG, STD150CSH, JTD150CG and JTD150CSH



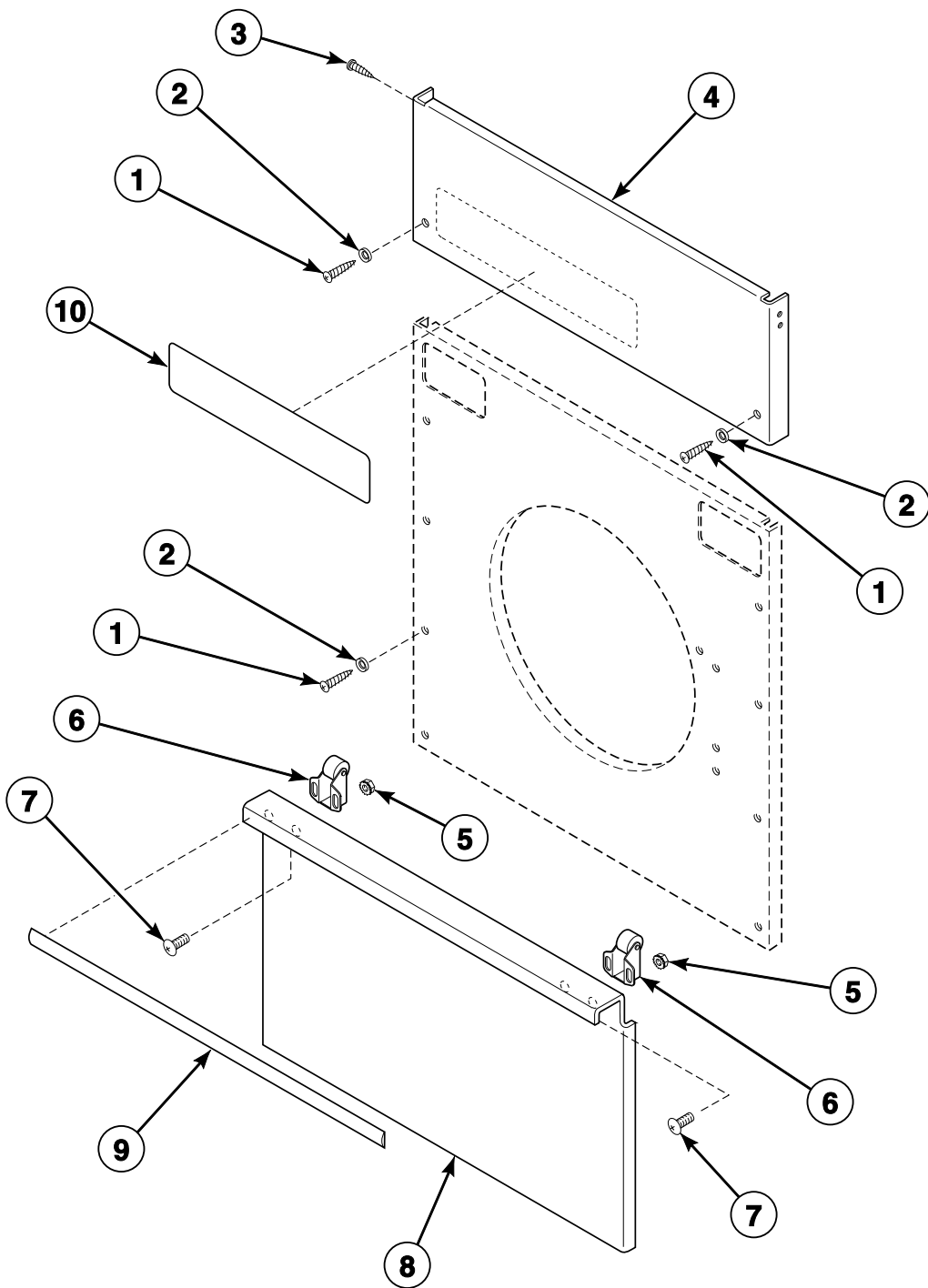
TMB1331P_M411449

Temperature Controls

REF	PART NO.	DESCRIPTION	COMMENTS
	H759P3	Control Replacement Kit	From Robert Shaw solid state control to 24 Volt electronic control
1	N/A	Graphic Panel	Black
2	27762	Switch	3 position
3	M413270	Rocker Switch	Reversing/nonreversing
4	91176	Washer	
5	24205	Nut	
6	M400777	Knob	
	N/A	Knob	Temperature; Models JTD150CG and JTD150CSH
7	M400704	Pilot Light	

N/A = Part no longer available

Access and Lint Panels



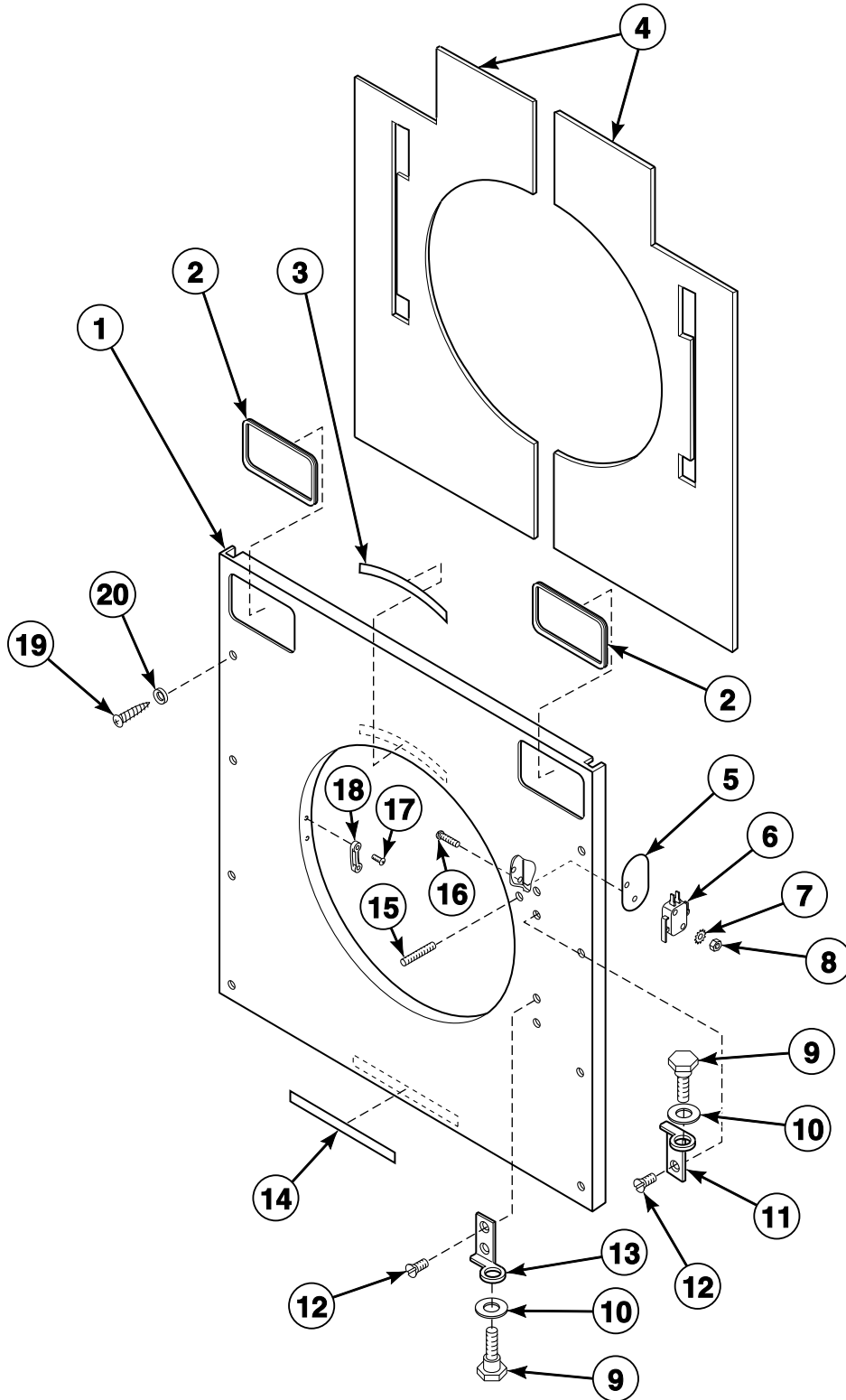
TMB2213P_M411449

Access and Lint Panels

REF	PART NO.	DESCRIPTION	COMMENTS
1	N/A	Screw	
2	H88569108	Washer	
3	N/A	Screw	
4	N/A	Front Panel	Upper
5	23951	Nut	
6	H87020202	Roller Catch	
7	M400044	Screw	
8	N/A	Lint Panel	
9	H81224511P	Trim	Rubber
10	N/A	Nameplate	Cocoa; Models JT150CG, JT150CSH, JTD150CG and JTD150CSH
	N/A	Nameplate	Silver; Models JT150CG, JT150CSH, JTD150CG and JTD150CSH
	M410355	Nameplate	Models ST150CG, ST150CSH, STD150CG and STD150CSH

N/A = Part no longer available

Front Panels



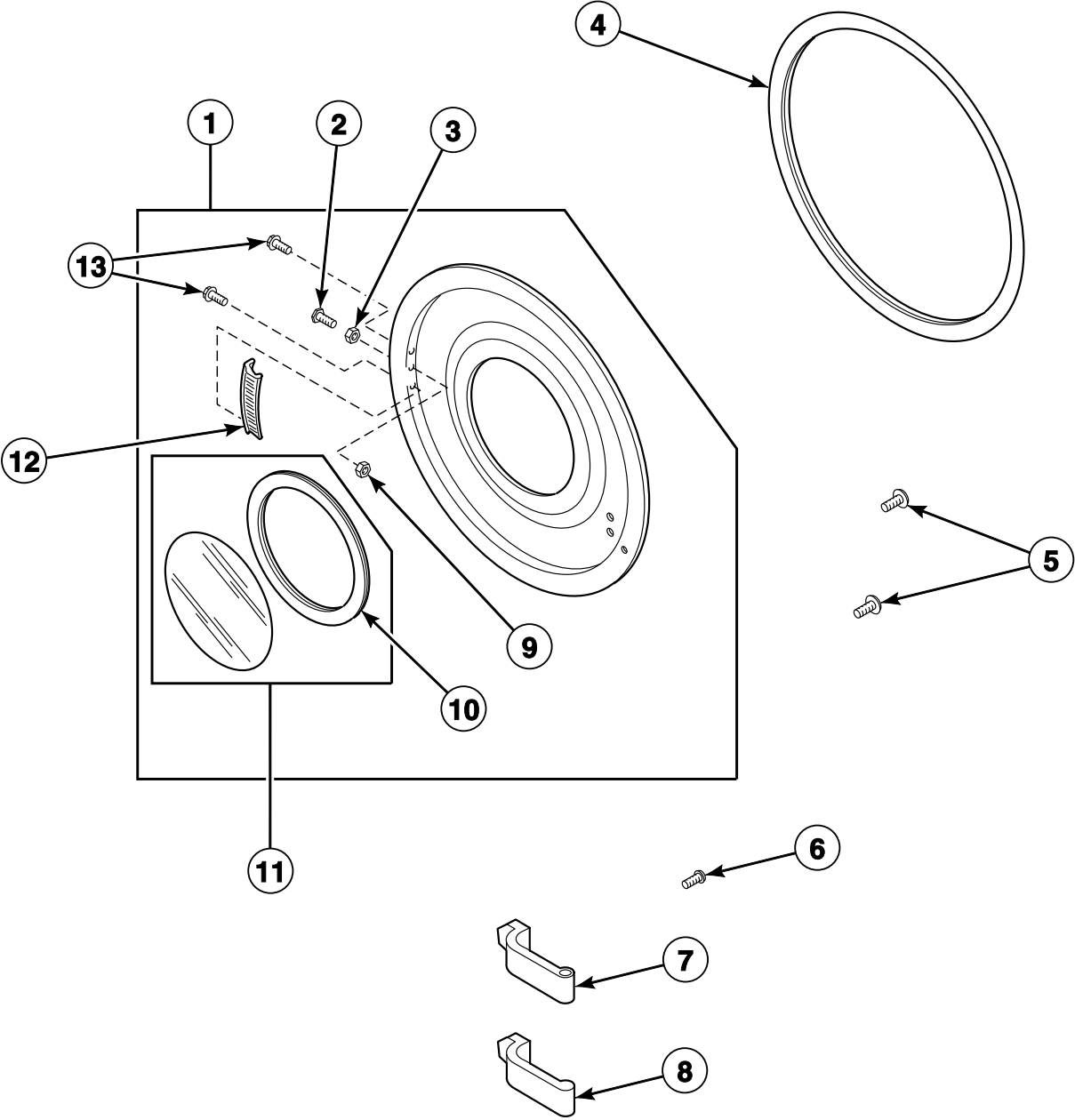
TMB2901P_M411449

Front Panels

REF	PART NO.	DESCRIPTION	COMMENTS
1	M410270WP	Front Panel	Center; Dual timer models
	N/A	Front Panel	Single timer models
	M410271	Front Panel	Center; Dual timer models; Stainless steel
2	N/A	Trim	Rubber
3	M410892	Warning Label	
4	N/A	Insulation	
5	H96418728	Mounting Insulation	
6	H96422241	Door Switch	
7	51345	Washer	
8	70072901	Nut	
9	M410029	Hinge Pin	
10	M400671	Washer	
11	M410041P	Panel Hinge Kit	Upper
12	H88129788	Screw	
13	M410042P	Panel Hinge Kit	Lower
14	N/A	Lint Compartment Sticker	
15	M409976	Screw	
16	M400072	Screw	
17	M401223	Door Latch	
18	H88110267	Screw	
19	N/A	Screw	
20	H88569108	Washer	

N/A = Part no longer available

Loading Door



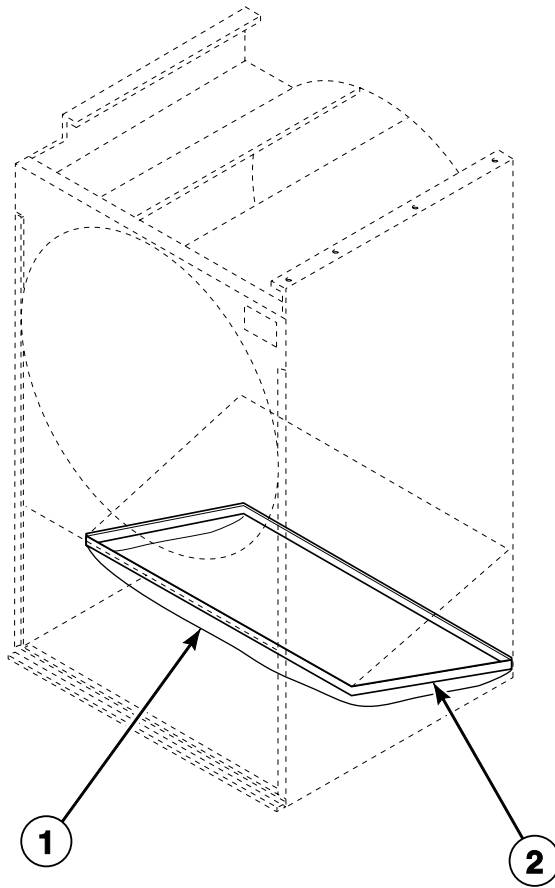
TMB2902P_M411449

Loading Door

REF	PART NO.	DESCRIPTION	COMMENTS
1	M410289*P	Loading Door Assembly	Includes items 2, 3 and 9-13
2	M400661	Screw	Door strike
3	Q6163	Nut	
4	H96409156P	Loading Door Gasket	
5	H88129648	Screw	
6	M400044	Screw	
7	M410030	Upper Door Hinge	Models JT150CG, JT150CSH, JTD150CG and JTD150CSH
	M410701P	Upper Door Hinge	Models ST150CG, ST150CSH, STD150CG and STD150CSH
8	M410031	Lower Door Hinge	Models JT150CG, JT150CSH, JTD150CG and JTD150CSH
	M410702P	Lower Door Hinge	Models ST150CG, ST150CSH, STD150CG and STD150CSH
9	70054	Nut	
10	70211904P	Door Seal Kit	
11	M409899P	Door Glass and Seal Kit	Includes item 10
12	M400133	Door Handle	
13	M409385	Screw	

* Add Letter To Designate Color. B - Battina Green H - Harvest Gold K - Red L - Almond P - Turquoise V - Orange
W - White X - Electric Blue

Lint Screen and Frame

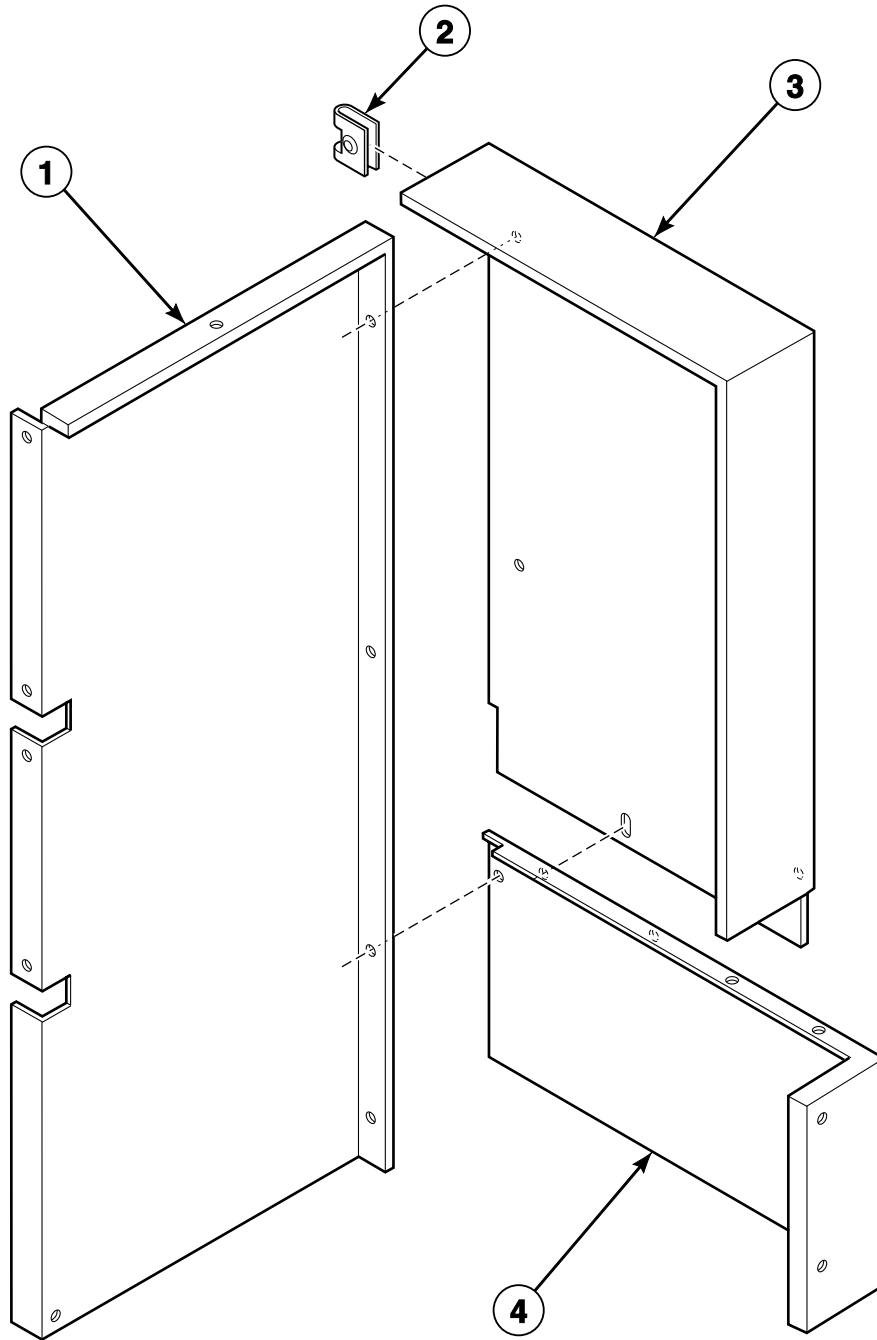


TMB1332P_M411449

Lint Screen and Frame

REF	PART NO.	DESCRIPTION	COMMENTS
1	44077703P	Lint Screen	With snaps
2	H96362025	Lint Screen Frame	

Drive Guard Components

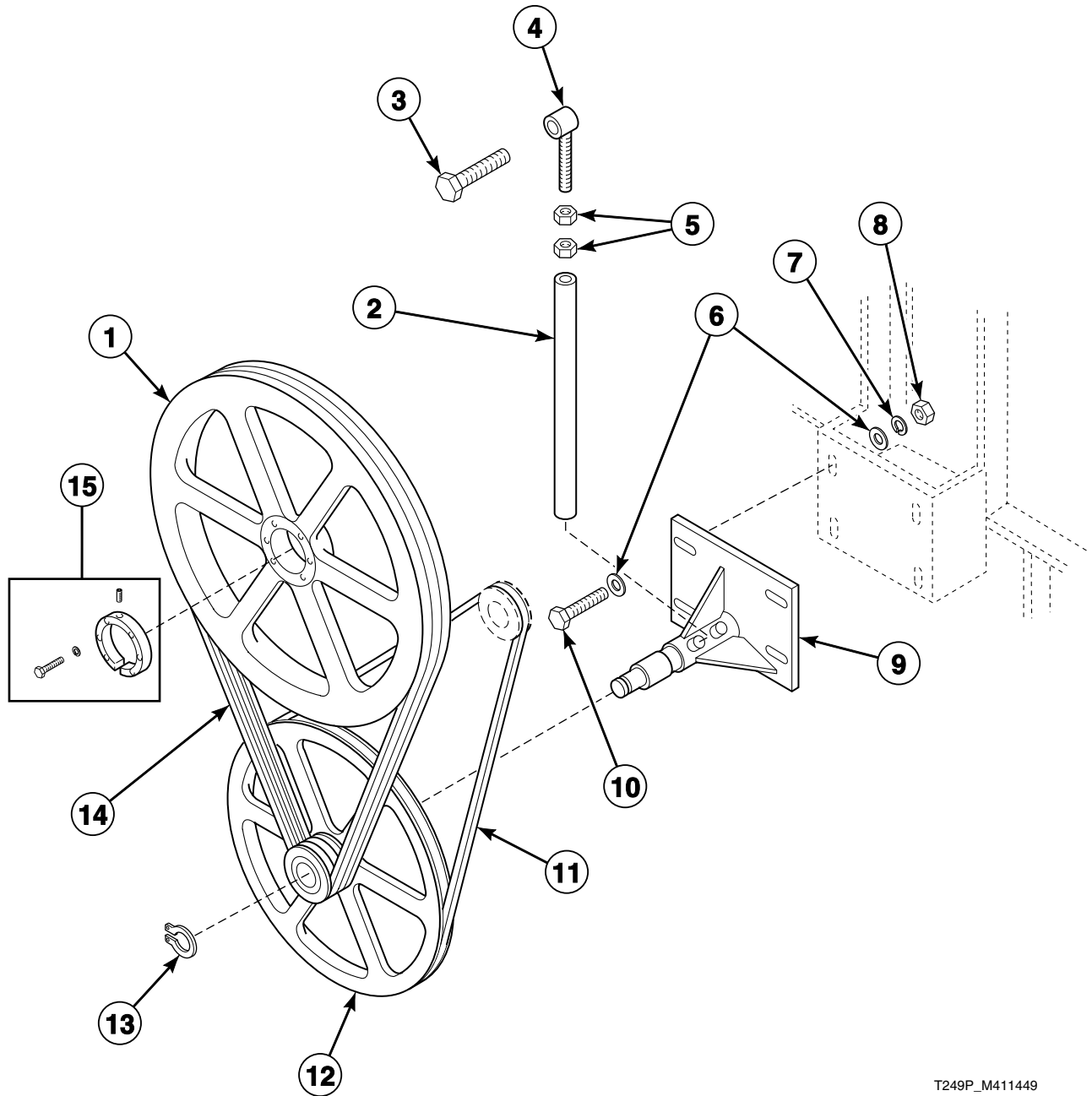


TMB2076P_M411449

Drive Guard Components

REF	PART NO.	DESCRIPTION	COMMENTS
1	H96368725	Belt Guard Side	
2	H8841927H	Nut	
3	H96367669	Belt Cover Assembly	Upper
4	H96368733	Bottom Belt Cover	

Drive Sheave, Step Pulley and Belts

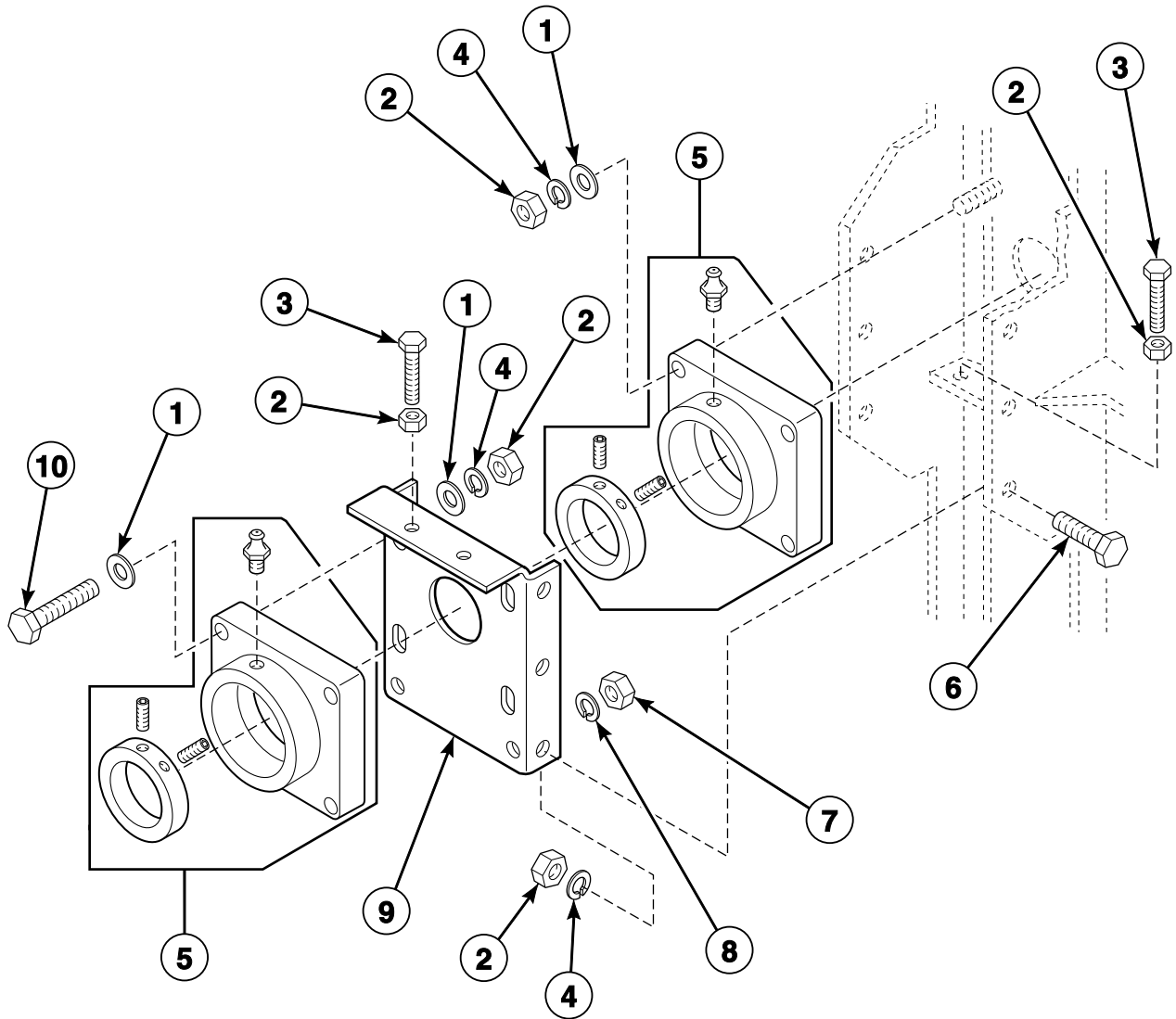


T249P_M411449

Drive Sheave, Step Pulley and Belts

REF	PART NO.	DESCRIPTION	COMMENTS
	H88603477	Retaining Ring	2 required
	M4718P3	Step Pulley Outer Bearing Kit	
	H87672374	Ball Bearing	Inner
1	H8752251H	Sheave	
2	H96428487	Belt Adjustment Tube	
3	H88001565	Screw	
4	44048501	Rod End	
5	M404993	Nut	
6	M400080	Washer	
7	M400014	Washer	
8	20274	Nut	
9	H96357751	Jackshaft Assembly	
10	M400043	Screw	
11	H87533014	Belt	
12	H96428024	Step Pulley	
13	H88602263	Retaining Ring	
14	H87533816P	Belt Set	Set of 3
15	H8752985HP	Bushing	

Trunnion Bearings



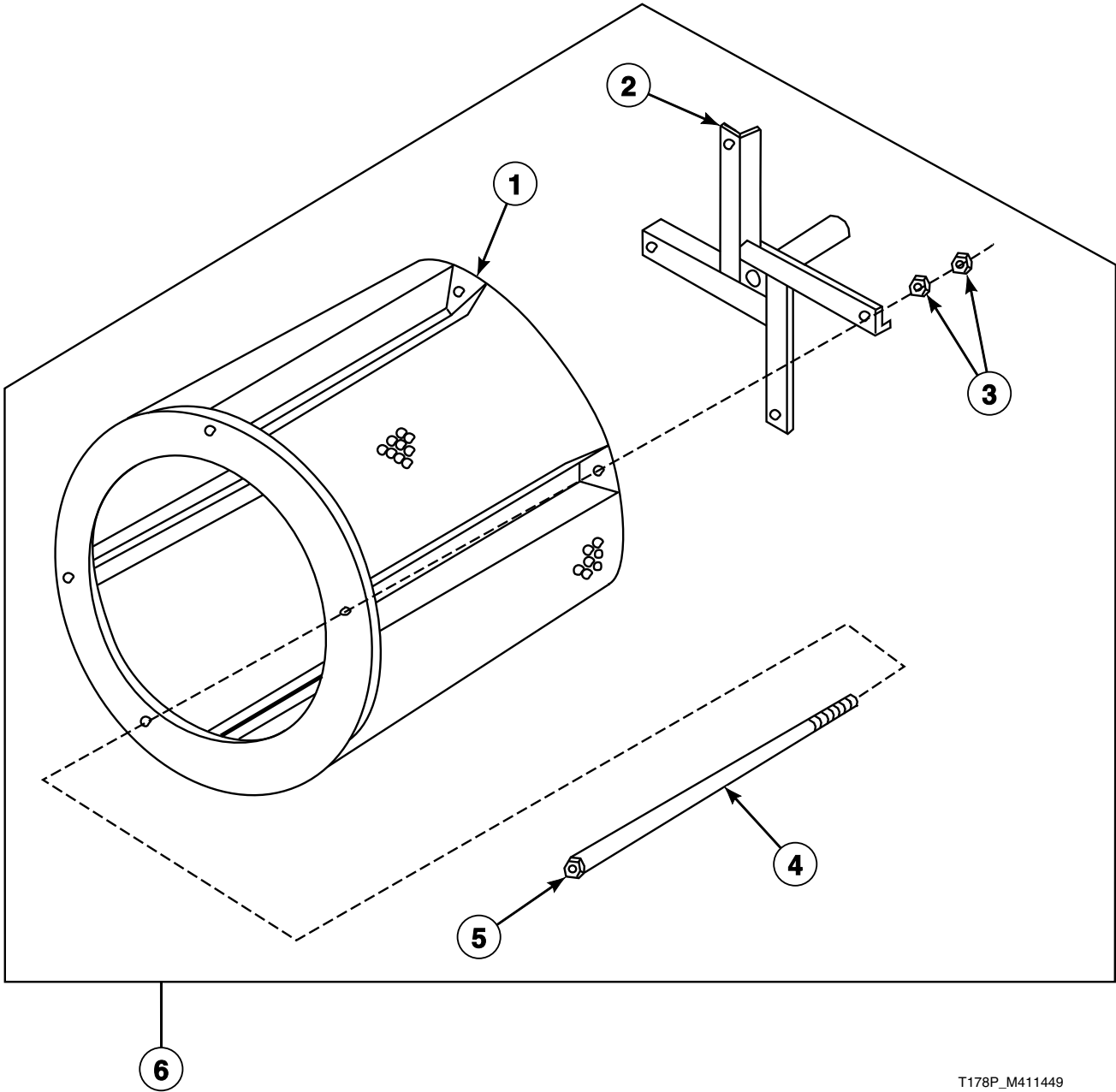
T240P_M411449

Trunnion Bearings

REF	PART NO.	DESCRIPTION	COMMENTS
1	M400081	Washer	
2	20274	Nut	
3	H88213996	Screw	
4	M400014	Washer	
5	44048301P	Flange Bearing	
6	H88111703	Screw	
7	H88412093	Nut	
8	N/A	Washer	
9	H96428008	Bearing Mounting	
10	22688	Screw	

N/A = Part no longer available

Cylinder and Trunnion Assembly

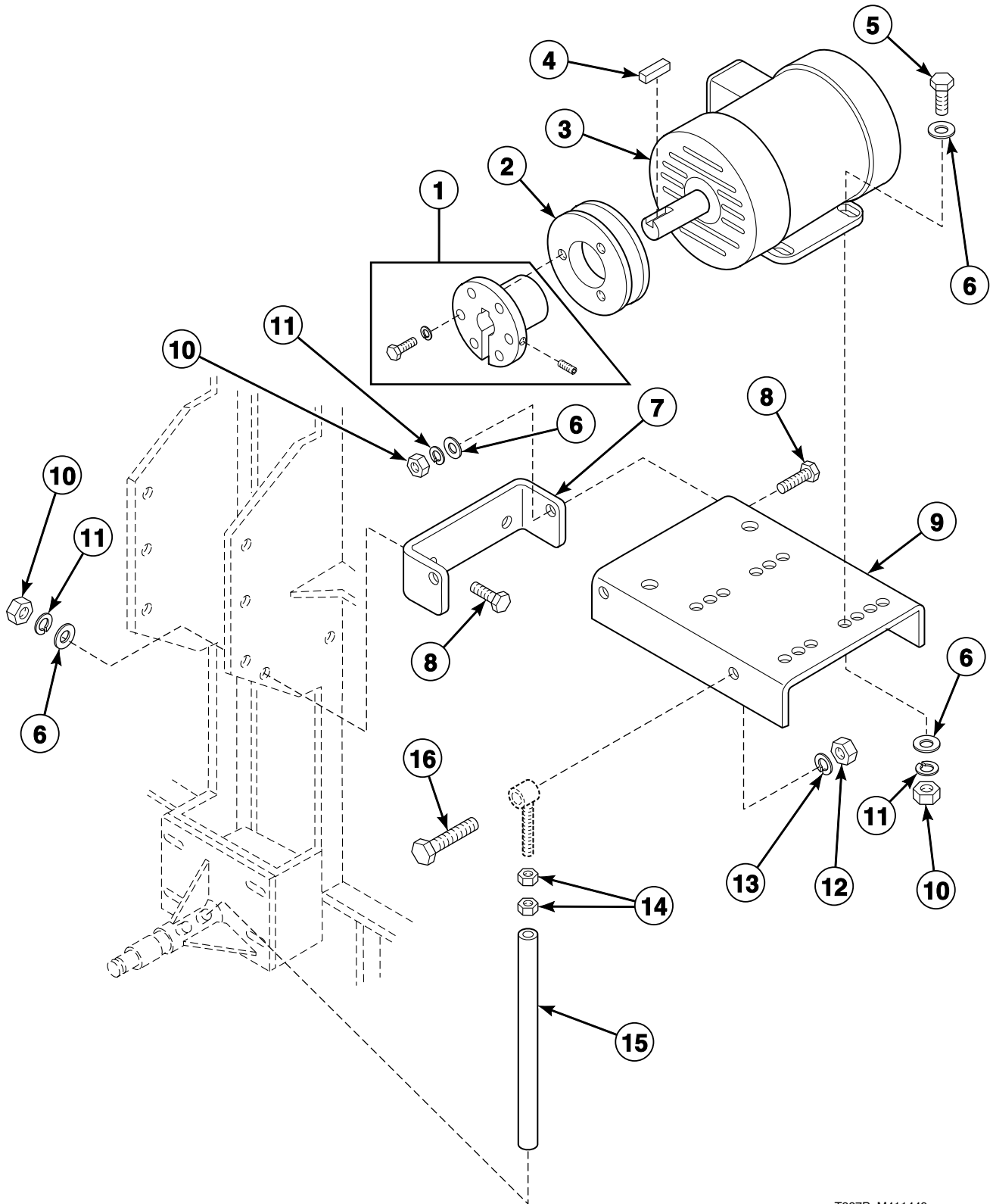


T178P_M411449

Cylinder and Trunnion Assembly

REF	PART NO.	DESCRIPTION	COMMENTS
1	H96367545	Cylinder Assembly	Galvanized
	M409826	Cylinder Assembly	Stainless steel
2	44240801	Trunnion Assembly	
3	M404993	Nut	
4	H8830143H	Bolt	
5	M412334	Nut	
6	44054701	Cylinder and Trunnion Assembly	Galvanized
	44054702	Cylinder and Trunnion Assembly	Stainless steel

Cylinder Drive Motor



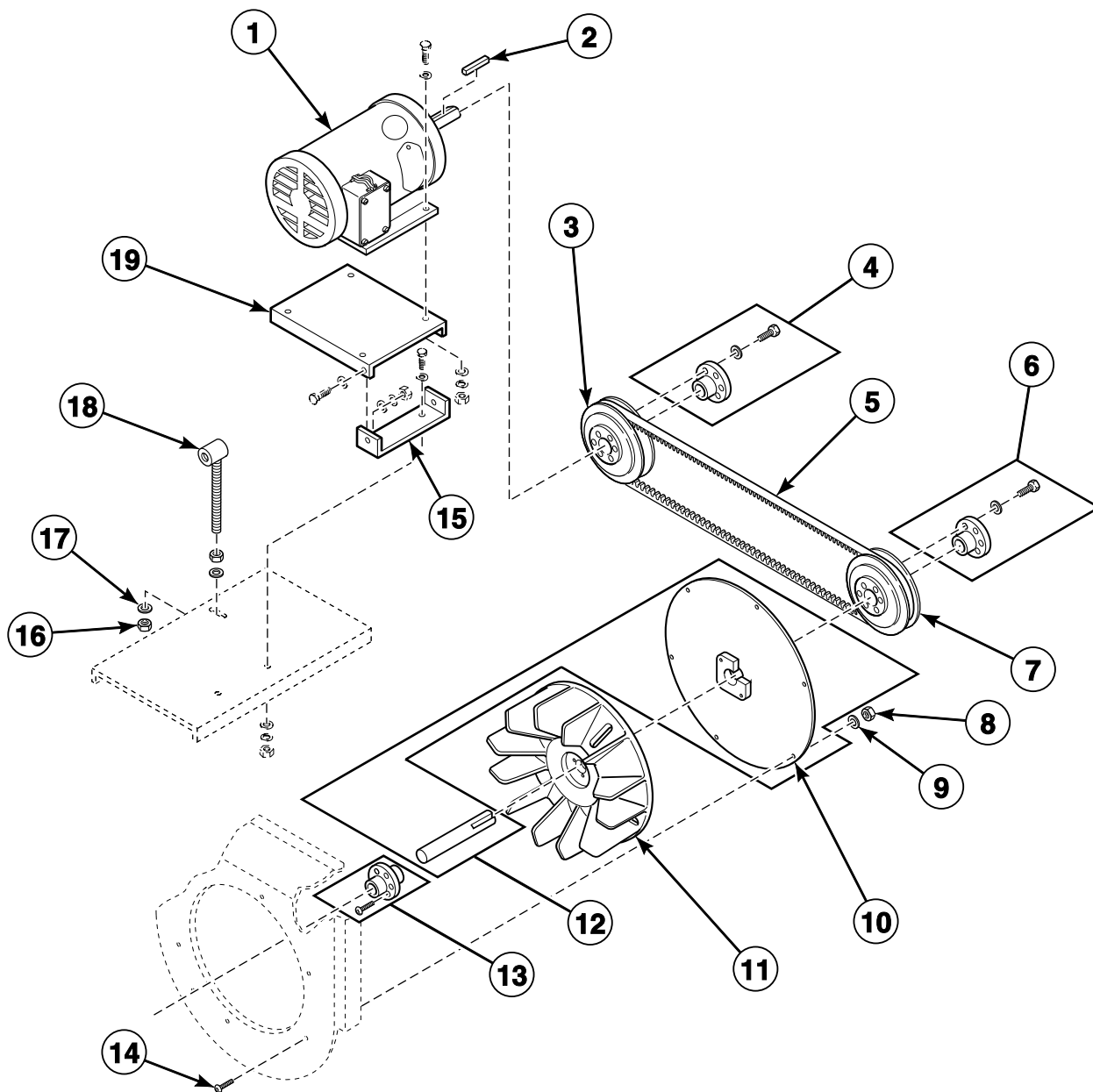
T237P_M411449

Cylinder Drive Motor

REF	PART NO.	DESCRIPTION	COMMENTS
1	H87529111P	Bushing	
2	H87520334	Sheave	60 Hertz
	H8752026H	Sheave	50 Hertz
3	H8371044H	Motor	208-240 or 480 Volt/60 Hertz/3 Phase
	H8371047HP	Motor	220, 380 or 415 Volt/50 Hertz/3 Phase
4	H8752006H	Key	
5	M400043	Screw	
6	M400080	Washer	
7	H96428693	Base Bracket	Motor
8	22688	Screw	
9	M413171	Motor Base	Reversing
10	20274	Nut	
11	M400014	Washer	
12	H88412093	Nut	
13	N/A	Washer	
14	M404993	Nut	
15	N/A	Belt Adjustment Tube	
16	H88001565	Screw	
17	44048501	Rod End	

N/A = Part no longer available

Fan and Motor



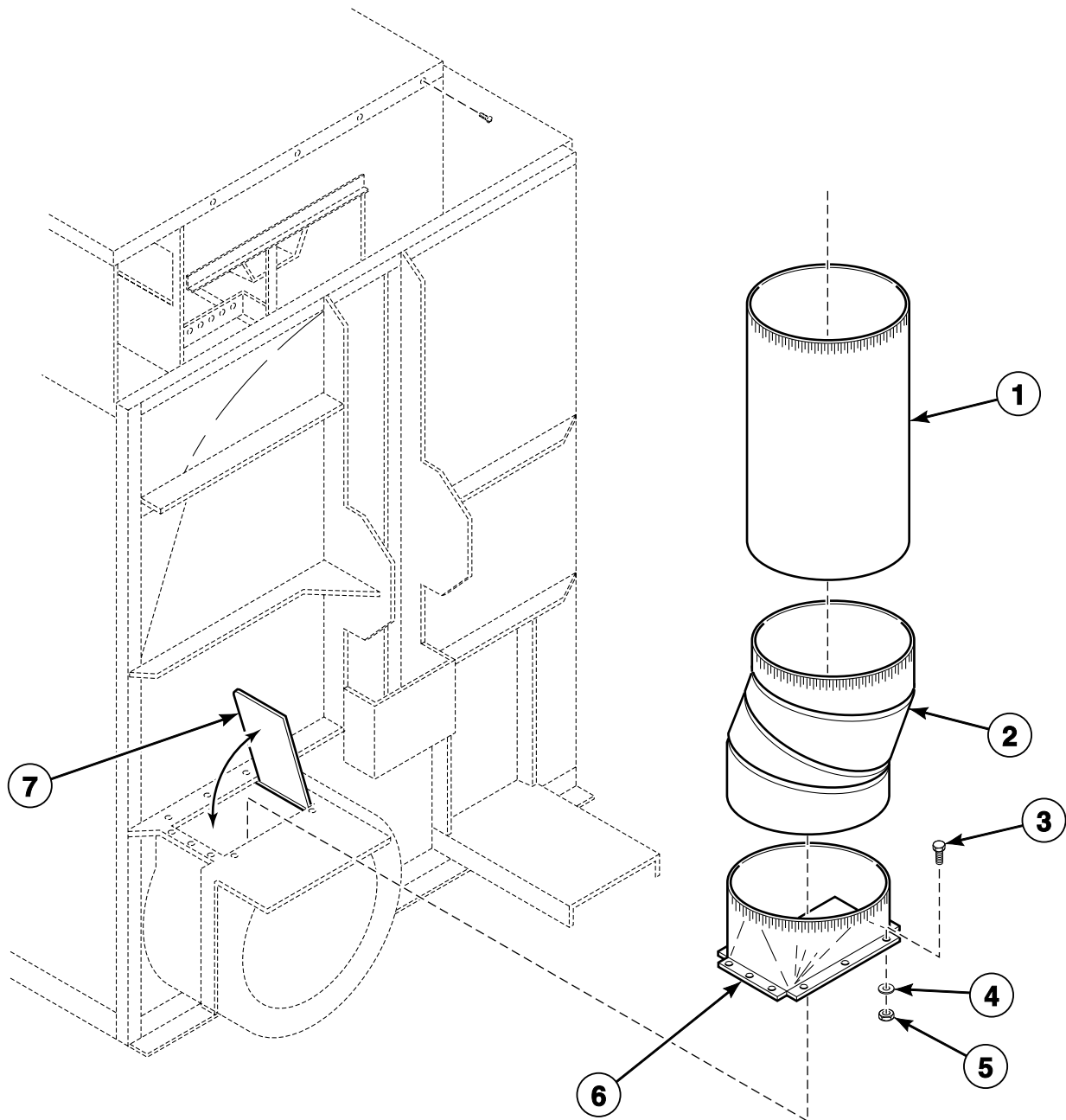
TMB2077P_M411449

Fan and Motor

REF	PART NO.	DESCRIPTION	COMMENTS
	22688	Screw	Motor and bracket mounting hardware; 10 required
	M400080	Washer	Motor and bracket mounting hardware; 20 required
	M400014	Washer	Motor and bracket mounting hardware; 10 required
	20274	Nut	Motor and bracket mounting hardware; 10 required
1	N/A	Motor	208, 230 or 460 Volt/60 Hertz/3 Phase
	N/A	Motor	220, 380 or 440 Volt/50 Hertz/3 Phase
2	H8752006H	Key	
3	H8752065H	Sheave	Motor; 50 Hertz
	H8752060H	Sheave	Motor; 60 Hertz
4	H8752931H	Bushing	
5	H87532685	Belt	
6	H8752922HP	Bushing	
7	H8752060H	Sheave	Blower; 50 Hertz
	H8752065H	Sheave	Blower; 60 Hertz
8	70142	Nut	8 required
9	M400013	Washer	8 required
10	N/A	Blower Cover	
11	H96368469	Fan	
12	M4680P3	Fan Bearing Conversion Kit	Includes item 10
13	M412917P	Bushing	
14	M400056	Screw	8 required
15	H96428693	Base Bracket	Motor
16	M404993	Nut	2 required
17	70261401	Washer	2 required
18	44048501	Rod End	
19	M413171	Motor Base	Reversing

N/A = Part no longer available

Exhaust System Components



TMB2078P_M411449

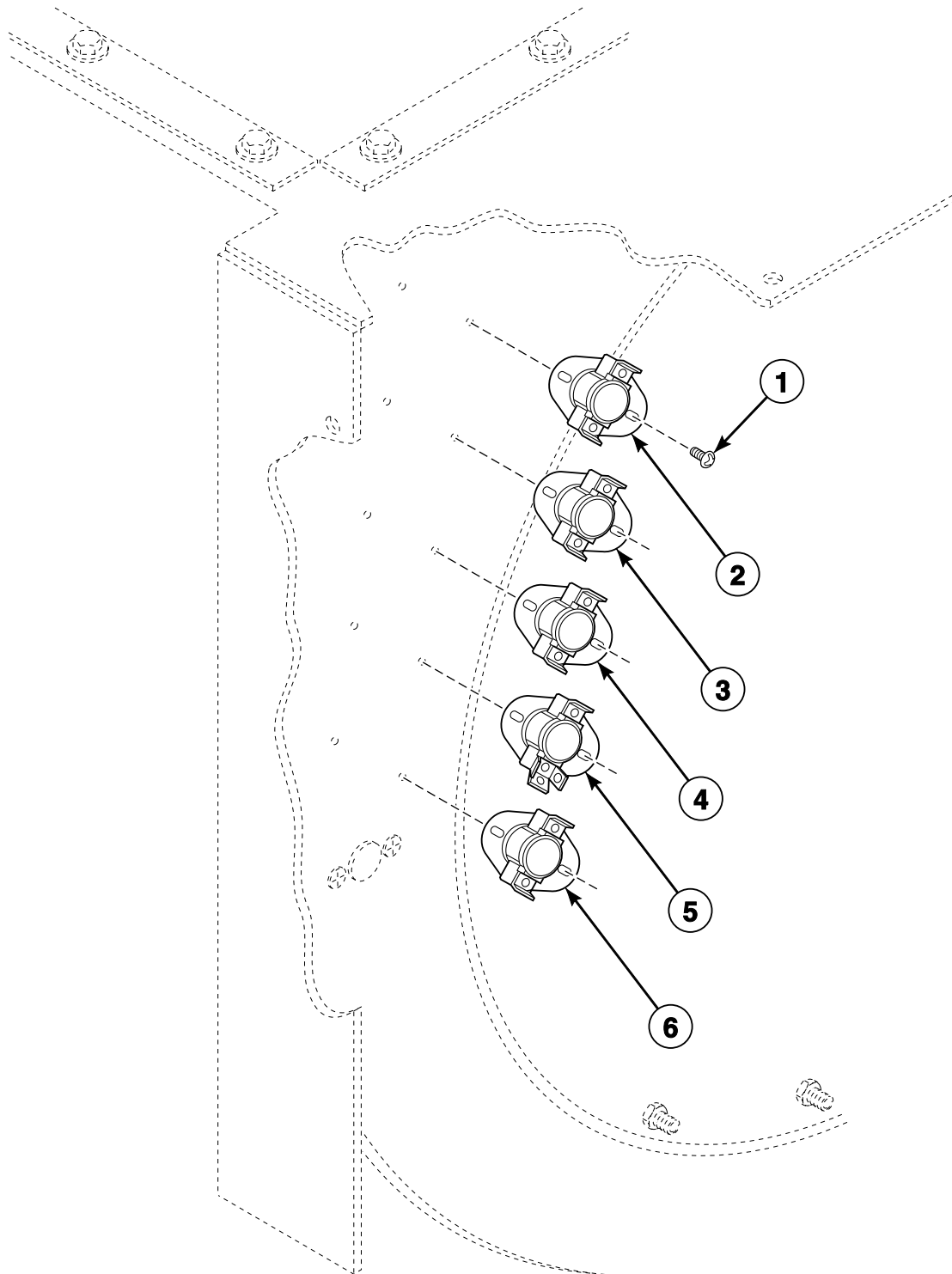
Exhaust System Components

REF	PART NO.	DESCRIPTION	COMMENTS
1	N/A	Vent Pipe	
2	N/A	Elbow	
3	H88010038	Screw	
4	20275	Nut	
5	03189	Washer	
6	N/A	Duct Transition	
7	N/A	Damper	

N/A = Part no longer available

Control Thermostats

Located in Blower Housing



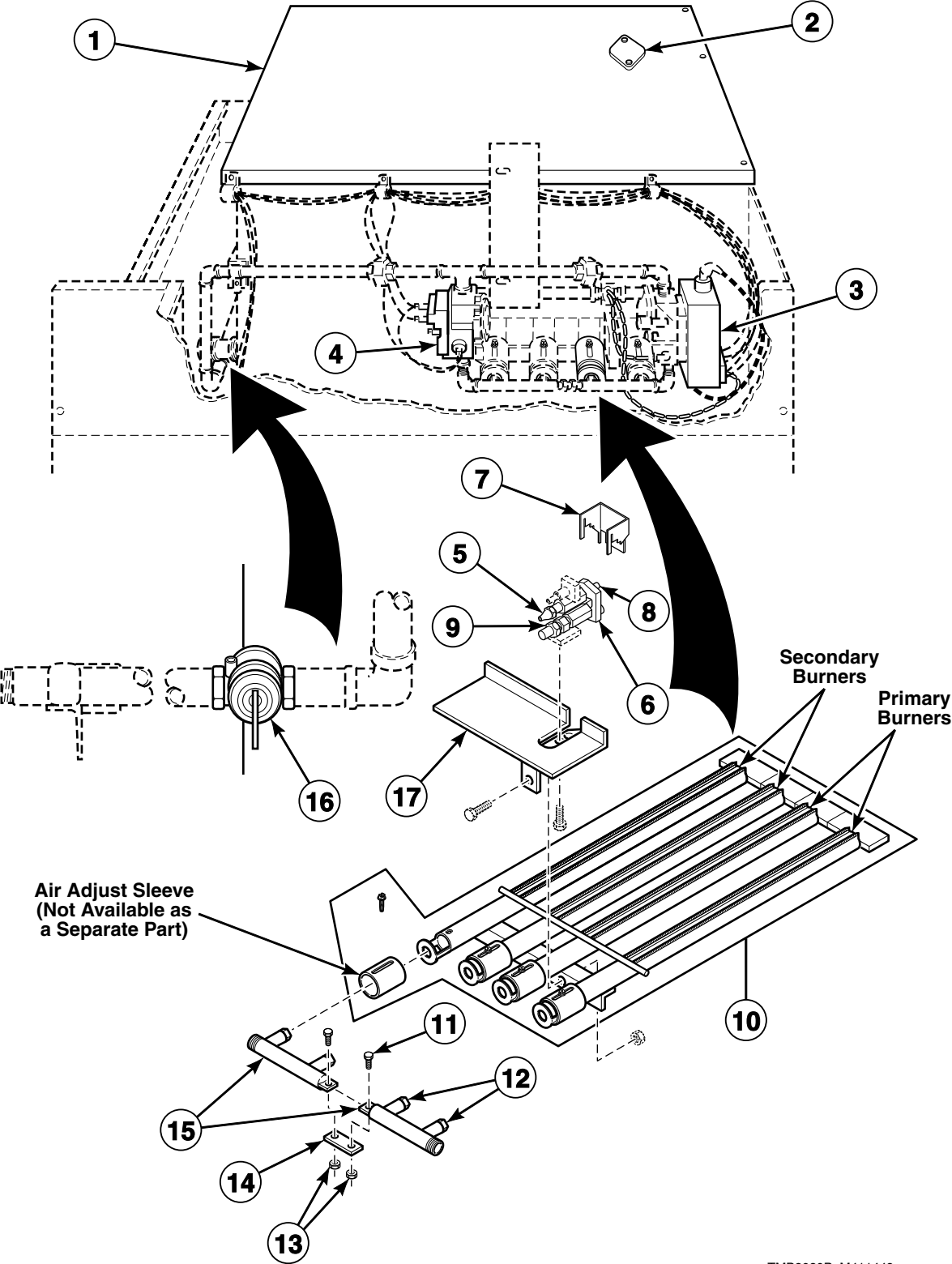
TMB2079P_M411449

Control Thermostats

REF	PART NO.	DESCRIPTION	COMMENTS
1	F0430166-00A	Screw	
2	H8900531H	Thermostat	High
3	H89005227	Thermostat	Cabinet high limit; Auto reset; 60 Hertz
	N/A	Thermostat	Cabinet high limit; Manual reset; 50 Hertz
4	H89005235	Thermostat	Medium
5	H89005243	Thermostat	Low
6	H8900530H	Thermostat	Load ready

N/A = Part no longer available

Gas Burner and Controls



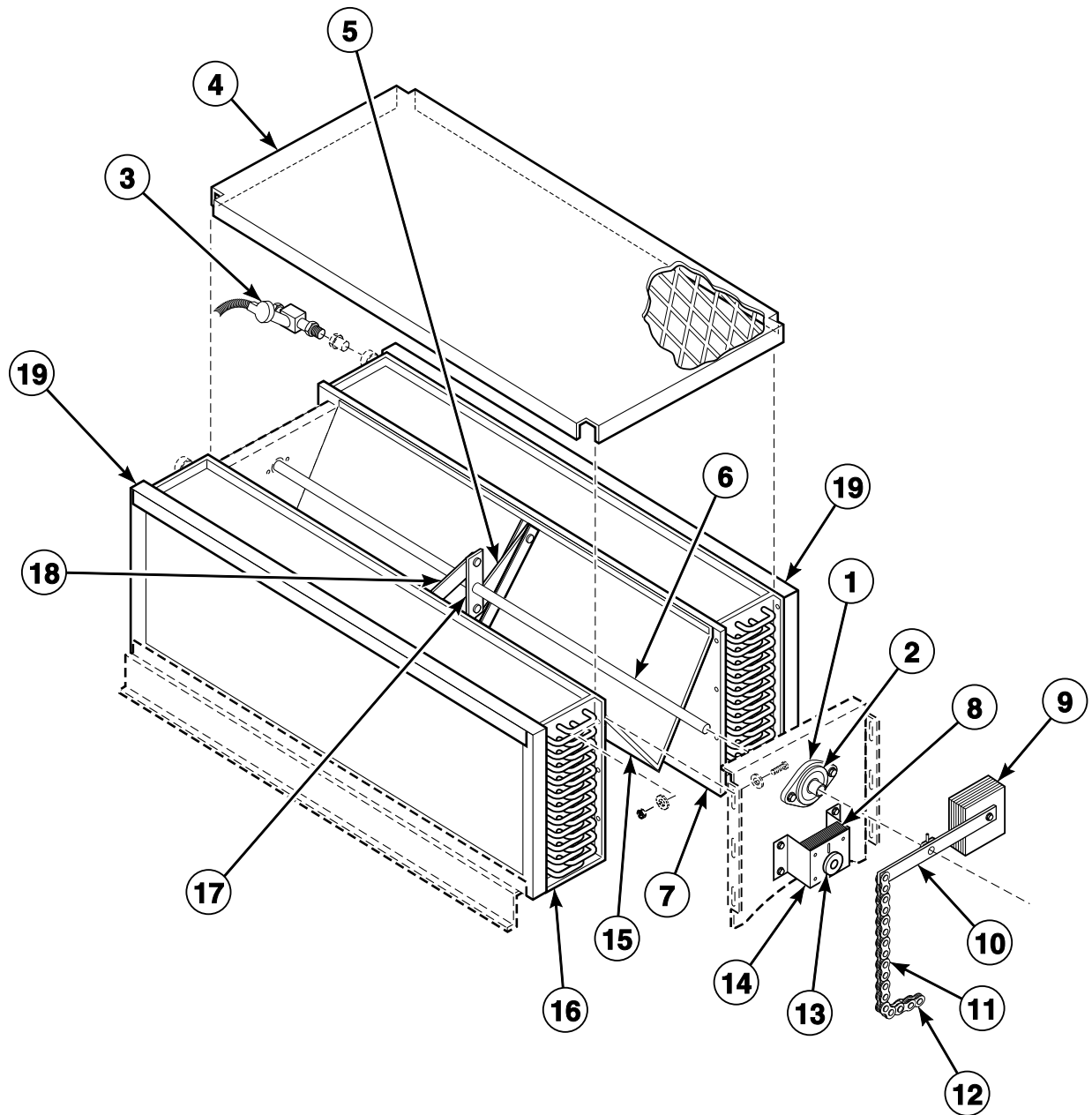
TMB2080P_M411449

Gas Burner and Controls

REF	PART NO.	DESCRIPTION	COMMENTS
	M400763P	Plate Kit	Used to convert M411413 Valve and Control Assembly for use with Liquid Petroleum Gas (L.P.)
1	N/A	Flash Shield	Shown rotated 90 degrees
2	N/A	Thermostat	High limit; 50 Hertz
	H89005169P	High Limit Thermostat	60 Hertz
3	M411413P	Valve and Control Assembly	Natural Gas (N.G.); Use M400763 Plate Kit to convert this valve for use with L.P.
	M411414	Valve and Control Assembly	L.P.
4	H8526918HP	Gas Valve	N.G.
5	H85289114	Probe Lead	
6	H89000921P	Pilot Burner Assembly	
7	N/A	Pilot Shield	
8	M401209P	Sensor Probe	
9	H8900079H	Pilot Orifice	N.G.
	Q8152	Burner Orifice	L.P.
10	M410405R	N.G. Burner	
	M410405	L.P. Burner	
11	02422	Screw	2 required
12	N/A	Burner Orifice	N.G.; Primary burner; 2,001-4,000 feet
	N/A	Burner Orifice	N.G.; Primary burner; 4,001-6,000 feet
	M409755	Burner Orifice	N.G.; Secondary burner; 0-2,000 feet; Drill no. 6 (5.2 mm)
	M411423	Burner Orifice	N.G.; Secondary burner; 2,001-4,000 feet; Drill no. 9 (5.0 mm)
	N/A	Burner Orifice	N.G.; Secondary burner; 4,001-6,000 feet
	N/A	Burner Orifice	L.P.; Primary burner; 4,001-6,000 feet
	N/A	Burner Orifice	Main burner; L.P.; Secondary burner; 0-2,000 feet
13	20275	Nut	2 required
14	N/A	Manifold Bracket	
15	N/A	Manifold Assembly	
16	M413016	Ball Valve	Manual; Shown closed
17	N/A	Pilot Mounting Bracket	

N/A = Part no longer available

Steam Heating Unit



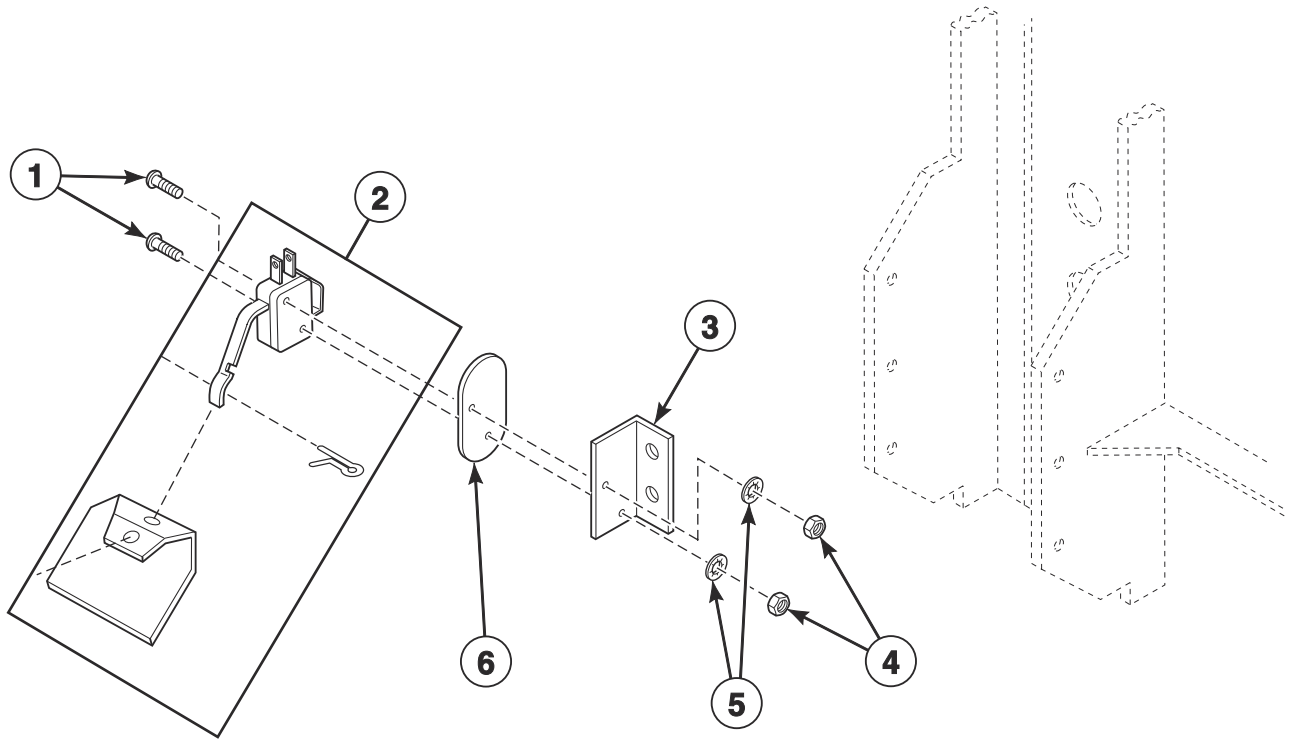
T244P_M411449

Steam Heating Unit

REF	PART NO.	DESCRIPTION	COMMENTS
1	H96382080	Bearing Flangette	Sold per pair
2	H96382098	Bearing Insert	
3	M413298P	Steam Valve	Solenoid; 2 required; 50 Hertz
	F951P3	Steam Valve Kit	Solenoid; 2 required; 60 Hertz
4	44018501	Steam Coil Housing Cover	
5	N/A	Damper Link	
6	N/A	Damper Shaft	
7	M409834P	Steam Coil	Right
8	F8615601P	Motor	
9	M413331	Damper Counterweight	7 required
10	H96387501	Actuator Arm Assembly	
11	H96388186	Drive Chain	
12	H96382072	Master Link	
13	H96388178	Drive Wheel	
14	H96388145	Motor Bracket	Motor damper
15	M409967	Damper Assembly	2 required
16	M409833P	Steam Coil	Left
17	N/A	Actuator	
18	N/A	Damper Link	
19	H96362264	Coil Filter	2 required

N/A = Part no longer available

Airflow Switch

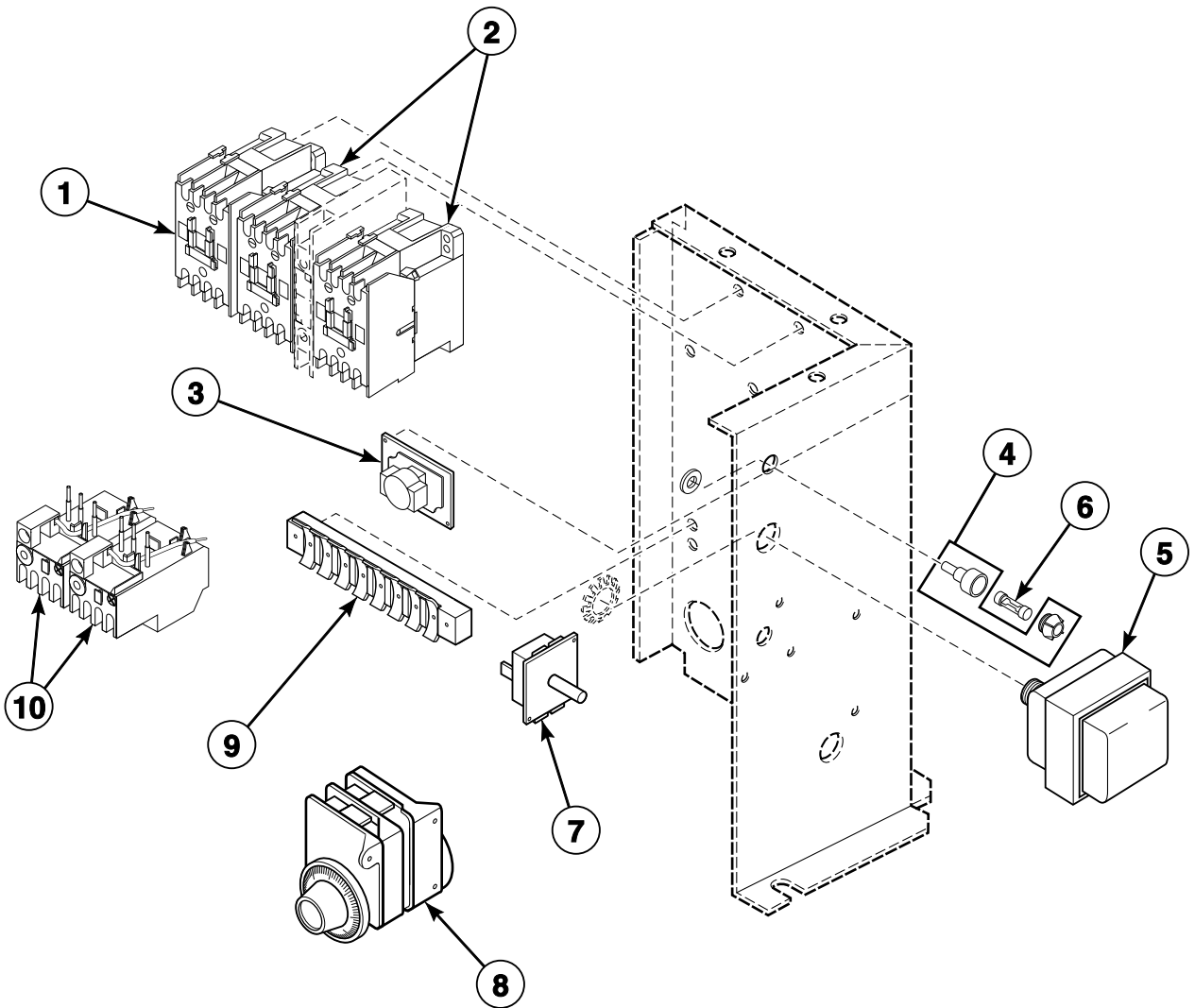


TMB2081P_M411449

Airflow Switch

REF	PART NO.	DESCRIPTION	COMMENTS
1	M401938	Screw	
2	70502301	Airflow Switch Vane	
3	430370	Airflow Switch Bracket	
4	70072901	Nut	
5	51345	Washer	
6	H96418728	Mounting Insulation	

Reversing Controls



TMB1296P_M411449

Reversing Controls

REF	PART NO.	DESCRIPTION	COMMENTS
1	N/A	Fan Contactor	
2	H8300831HP	Contactor	Reversing
3	N/A	Time Delay Relay	
4	H83900050	Fuse Holder	
5	H83904664P	Transformer	Ignition
6	G137653	Fuse	1 Amp; 250 VAC
7	N/A	Buzzer	
8	H96422399P	Reversing Timer	
9	N/A	Terminal Strip	
10	H8300105HP	Overload Relay	Drive motor; 208-240 Volt
	N/A	Overload Relay	Drive motor; 380, 415 or 460 Volt
	N/A	Overload Relay	Blower motor; 208-240 Volt
	N/A	Overload Relay	Blower motor; 380, 415 or 460 Volt

N/A = Part no longer available

Parts Index

A

Actuator Arm Assembly H96387501	37
Airflow Switch Bracket 430370	39
Airflow Switch Vane 70502301	39

B

Ball Bearing H87672374	21
Ball Valve M413016	35
Base Bracket H96428693	27, 29
Bearing Flangette H96382080	37
Bearing Insert H96382098	37
Bearing Mounting H96428008	23
Belt H87532685	29
H87533014	21
Belt Adjustment Tube H96428487	21
Belt Cover Assembly H96367669	19
Belt Guard Side H96368725	19
Belt Set H87533816P	21
Bolt H8830143H	25
Bottom Belt Cover H96368733	19
Burner Orifice M409755	35
M411423	35
Q8152	35
Bushing H87529111P	27
H8752922HP	29
H8752931H	29
H8752985HP	21
M412917P	29

C

Coil Filter H96362264	37
Contactactor H8300831HP	41
Control Knob H83901157	5

Control Replacement Kit H759P3	9
Cylinder and Trunnion Assembly 44054701	25
44054702	25
Cylinder Assembly H96367545	25
M409826	25

D

Damper Assembly M409967	37
Damper Counterweight M413331	37
Door Glass and Seal Kit M409899P	15
Door Handle M400133	15
Door Latch M401223	13
Door Seal Kit 70211904P	15
Door Switch H96422241	13
Drive Chain H96388186	37
Drive Wheel H96388178	37

F

Fan H96368469	29
Fan Bearing Conversion Kit M4680P3	29
Flange Bearing 44048301P	23
Front Panel M410270WP	13
M410271	13
Fuse G137653	41
Fuse Holder H83900050	41

G

Gas Valve H8526918HP	35
Graphic Panel M410869	7

N/A items do not appear in index.

H

High Limit Thermostat H89005169P	35
Hinge Pin M410029	13

J

Jackshaft Assembly H96357751	21
---------------------------------------	----

K

Key H8752006H	27, 29
Knob M400773	7
M400777	9
M410927	7

L

Lint Screen 44077703P	17
Lint Screen Frame H96362025	17
Loading Door Assembly M410289*P	15
Loading Door Gasket H96409156P	15
Lower Door Hinge M410031	15
M410702P	15
L.P. Burner M410405	35

M

Master Link H96382072	37
Motor F8615601P	37
H8371044H	27
H8371047HP	27
Motor Base M413171	27, 29
Motor Bracket H96388145	37
Mounting Insulation H96418728	13, 39

N

Nameplate M410355	11
----------------------------	----

Nut

H88412093	23, 27
H8841927H	19
M404993	21, 25, 27, 29
M412334	25
Q6163	15
20274	21, 23, 27, 29
20275	31, 35
23951	11
24205	9
70054	15
70072901	13, 39
70142	29

N.G. Burner M410405R	35
-------------------------------	----

O

Overload Relay H8300105HP	41
------------------------------------	----

P

Panel Hinge Kit M410041P	13
M410042P	13
Pilot Burner Assembly H89000921P	35
Pilot Light M400704	7, 9
Pilot Orifice H8900079H	35
Plate Kit M400763P	35
Probe Lead H85289114	35
Push-to-Start Switch Kit 44106901P	7

R

Relay M400911P	7
Resistor Assembly M410992	7
Retaining Ring H88602263	21
H88603477	21
Reversing Timer H96422399P	41
Rocker Switch M413270	5, 9
Rod End 44048501	21, 27, 29
Roller Catch H87020202	11

N/A items do not appear in index.

S

Screw

F0430166-00A	33
H88001565	21, 27
H88010038	31
H88110267	13
H88111703	23
H88129648	15
H88129788	13
H88213996	23
M400043	21, 27
M400044	11, 15
M400056	29
M400071	7
M400072	7, 13
M400661	15
M400664	7
M401938	39
M409385	15
M409976	13
M411052	7
02422	35
22688	23, 27, 29
51780	7

Sensor Probe

M401209P	35
----------------	----

Sheave

H8752026H	27
H87520334	27
H8752060H	29
H8752065H	29
H8752251H	21

Steam Coil

M409833P	37
M409834P	37

Steam Coil Housing Cover

44018501	37
----------------	----

Steam Valve

M413298P	37
----------------	----

Steam Valve Kit

F951P3	37
--------------	----

Step Pulley

H96428024	21
-----------------	----

Step Pulley Outer Bearing Kit

M4718P3	21
---------------	----

Switch

27762	9
-------------	---

T

Thermostat

H89005227	33
H89005235	33
H89005243	33
H8900530H	33
H8900531H	33

Timer Kit

M410900P	7
M410901P	7
M410902P	7
M410903P	7

Toggle Switch

M400945	5
---------------	---

Transformer

H83904664P	41
------------------	----

Trim

H81224511P	11
------------------	----

Trunnion Assembly

44240801	25
----------------	----

U

Upper Door Hinge

M410030	15
M410701P	15

V

Valve and Control Assembly

M411413P	35
M411414	35

W

Warning Label

M410892	13
---------------	----

Washer

H88569108	11, 13
M400013	29
M400014	21, 23, 27, 29
M400080	21, 27, 29
M400081	23
M400671	13
03189	31
51345	13, 39
70261401	29
91176	9
