

Have questions about your dryer?

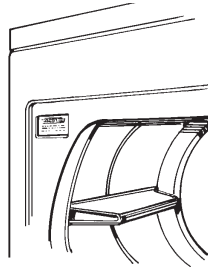
Check your Use and Care Guide for a toll-free number to call, or call your dealer. The dealer is listed in the Yellow Pages of your phone directory under "Appliances — Household — Major — Service and Repair."

When you call, you will need the dryer model number and serial number. Both numbers are on the model/serial rating plate located in the door well behind the dryer door and on front of opening.

Record the numbers here for handy reference:

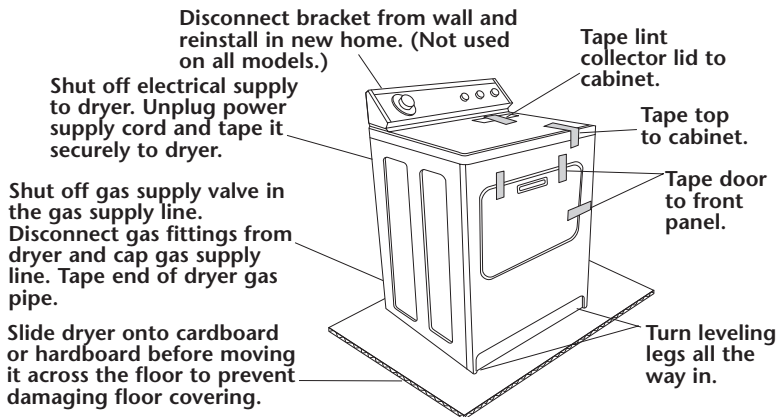
Model No. _____

Serial No. _____

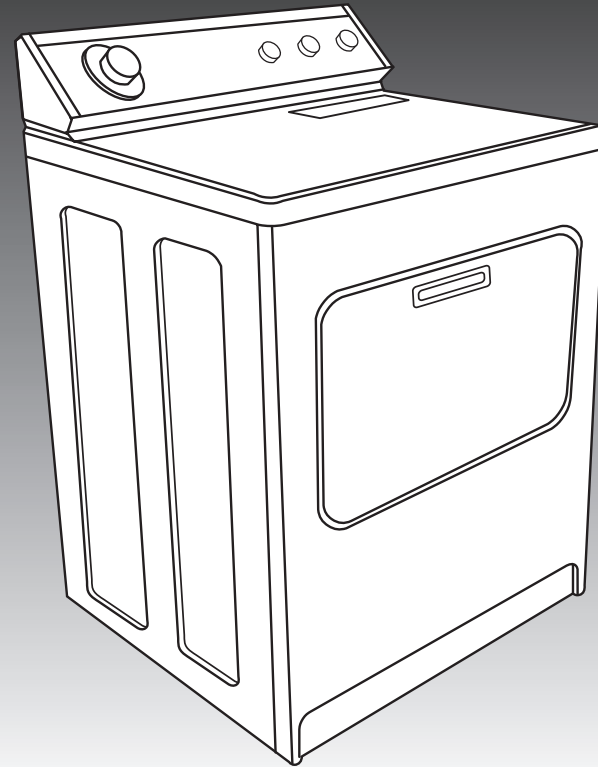


Moving dryer to a new location?

Check with your gas supplier or dealer to confirm that your dryer is equipped with the correct burner for the particular type of gas in your new home. Burner information is specified on the model/serial rating plate.



Installation Instructions



Gas Dryer

Set to operate on **NATURAL GAS**.
Part No. 3978906

IMPORTANT:

Read and save these instructions.

Installer: Leave Installation Instructions with homeowner.

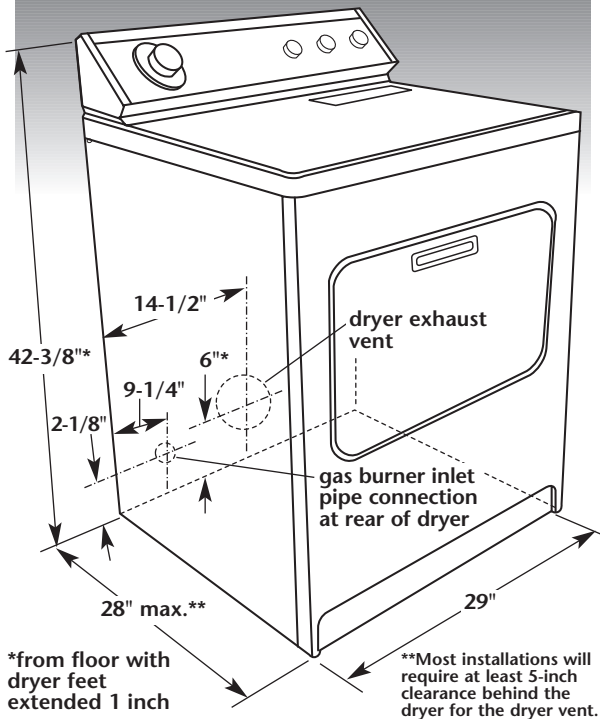
Homeowner: Keep Installation Instructions for future reference.

For best performance, install dryer according to Installation Instructions. Failure to complete installation as instructed could void warranty.

Save Installation Instructions for local electrical inspector's use.

GAS DRYER

Dryer location and dimensions



*from floor with dryer feet extended 1 inch

**Most installations will require at least 5-inch clearance behind the dryer for the dryer vent.

WARNING: For your safety the information in this manual must be followed to minimize the risk of fire or explosion or to prevent property damage, personal injury or death.

- Do not store or use gasoline, or other flammable vapors and liquids in the vicinity of this or any other appliance.
- **WHAT TO DO IF YOU SMELL GAS:**
 - Do not try to light any appliance.

- Do not touch any electrical switch; do not use any phone in your building.
- Clear the room, building or area of all occupants.
- Immediately call your gas supplier from a neighbor's phone. Follow the gas supplier's instructions.
- If you cannot reach your gas supplier, call the fire department.
- Installation and service must be done by a qualified installer, service agency or the gas supplier.

⚠ WARNING



Explosion Hazard

Keep flammable materials and vapors, such as gasoline, away from dryer. Place dryer at least 18 inches above the floor for a garage installation. Failure to do so can result in death, explosion, or fire.

For proper drying performance:

The location must provide:

- ✓ **Protection from weather and water:** Do not store or use dryer where it will be exposed to water and weather.
- ✓ **Room temperature above 45°F:** If room temperature is below 45°F, automatic cycles may not shut off.

- ✓ **Level floor:** Maximum slope under entire dryer should not be more than 1 inch. (If slope is greater than 1 inch, install Extended Dryer Feet Kit, Part No. 279810.) Clothes may not tumble properly and automatic sensor cycles may not operate correctly if dryer is not level.

- ✓ **Sturdy floor** to support dryer weight of 175 pounds.

It is your responsibility to:

- ✓ **Observe all governing codes and ordinances.**
- ✓ **Check code requirements:** Some codes limit or do not permit installation of clothes dryers in garages, closets, mobile homes or sleeping quarters. Contact your local building inspector.

- ✓ Comply with the installation specifications and dimensions.
- ✓ Consider spacing requirements for companion appliances.
- ✓ Make sure you have everything necessary for proper installation.

- ✓ Properly install dryer.
- ✓ Contact a qualified installer to insure that the electrical and gas installations meet all national and local codes and ordinances.
- ✓ **Exhaust to outdoors:** Dryer must be exhausted outdoors to prevent exposure to harmful substances in the gas fuels.

This installation must conform with local codes, or in the absence of local codes with the National Fuel Gas Code ANSI Z223.1/NFPA 54 installation codes*.

Copies of the standards listed may be obtained from:

*CSA International
8501 East Pleasant Valley Road
Cleveland, Ohio 44131-5575

Recessed area/closet installation

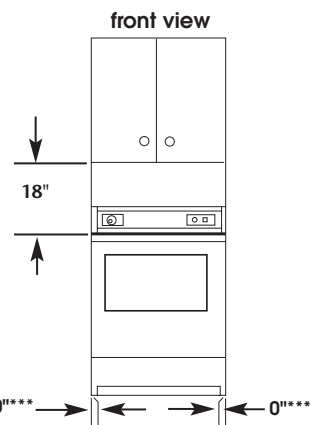
Installation clearances.
Use recommended clearance for easier installation.

	Recommended/Minimum			
Recessed	Back	Sides	Top	Front
Exhausted	5"/0"	1"/0"	18"/18"	—
Closet	5"/4"	1"/0"	18"/18"	1"/1"

No other fuel burning appliance may be installed in the same closet or recessed area.

- If codes permit, dryer may be installed in a recessed area or closet using dimensions shown.
- Dimensions are in inches and are the minimum allowable. Detailed space requirements can also be found on the label on the back panel of the dryer. These requirements ensure minimum clearances to combustible construction, and prevent blockage of air into the combustion chamber.
- Additional spacing should be considered for ease of installation and servicing. Companion appliance spacing should also be considered.

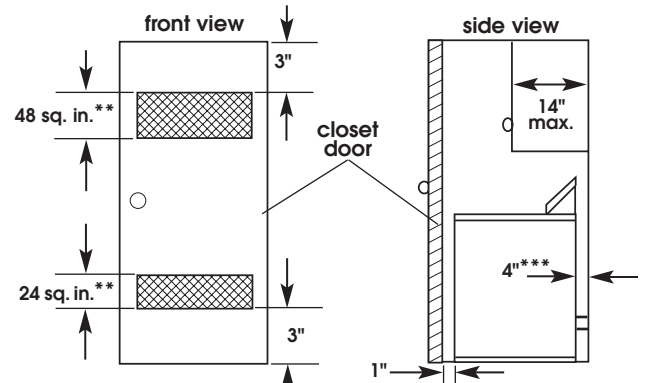
Recessed area installation



***|Wall, door and floor molding may require additional spacing.

Closet/confined area installation

If a closet door is installed: The minimum unobstructed air openings are required. Louvered doors with equivalent air openings are acceptable.

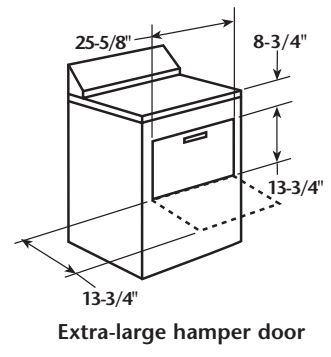
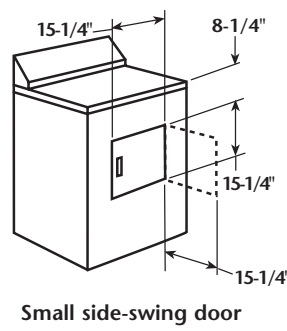
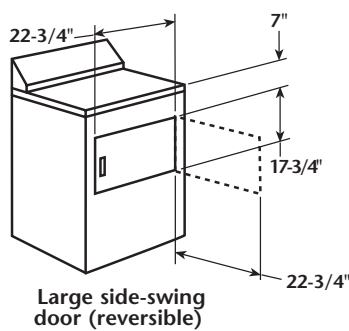
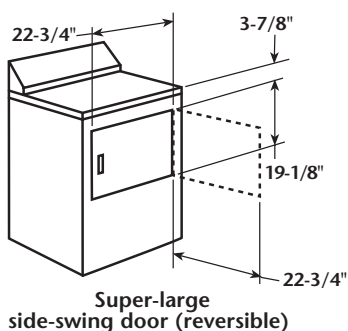


**Minimum top and bottom air openings for closet door.

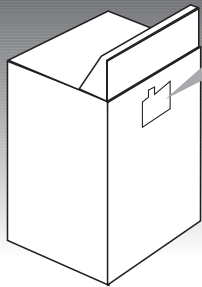
***External exhaust elbow requires additional space.

Door clearance

Location must be large enough to fully open dryer door.



Electrical requirements



Important: Observe all governing codes and ordinances.

A 120-volt, 60-Hz, AC-only, 15- or 20-ampere fused electrical supply is required. A time-delay fuse or circuit breaker is recommended.

It is recommended that a separate circuit serving only this appliance be provided.

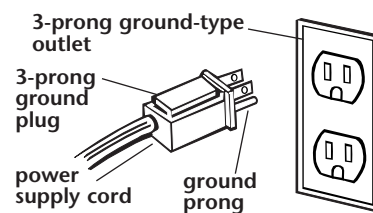
If codes permit and a separate ground wire is used, it is recommended that a qualified electrician determine that the ground path is adequate.

Recommended ground method

GROUNDING INSTRUCTIONS: This appliance must be grounded. In the event of malfunction or breakdown, grounding will reduce the risk of electric shock by providing a path of least resistance for electric current.

The power supply cord plug must be plugged into an appropriate outlet that is properly installed and grounded in accordance with all local codes and ordinances.

WARNING - Improper connection of the equipment-grounding conductor can result in a risk of electric shock. Check with a qualified electrician or serviceman if you are in doubt as to whether the appliance is properly grounded. Do not modify the plug provided with the appliance - if it will not fit the outlet, have a proper outlet installed by a qualified electrician.



⚠ WARNING



Electrical Shock Hazard

Plug into a grounded 3-prong outlet.

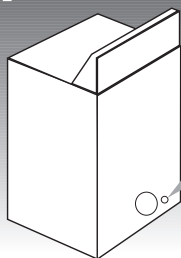
Do not remove ground prong.

Do not use an adapter.

Do not use an extension cord.

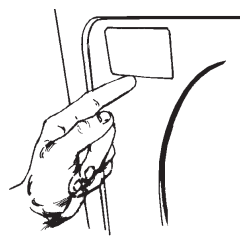
Failure to follow these instructions can result in death, fire, or electrical shock.

Gas supply requirements



Gas requirements:

Check that dryer is equipped with the correct burner for the particular type of gas in the home. Burner information will be found on the model/serial rating plate in door well of the dryer. If this information does not agree with the type of gas available, see your dealer.



Supply line requirements:

Provide a rigid gas supply line to the dryer location. When rigid pipe is used it should be 1/2 inch IPS. When acceptable to the gas supplier and local codes, 3/8-inch approved tubing may be used for lengths under 20 feet. For lengths over 20 feet, larger tubing should be used.

An individual manual shutoff valve must be installed within 6 feet of the dryer in accordance with the National Fuel Gas Code ANSI Z223.1 - latest edition*.

Pipe-joint compounds resistant to the action of L.P. gas must be used.

⚠ WARNING



Explosion Hazard

Use a new AGA or CSA approved gas supply line.

Install a shut-off valve.

Securely tighten all gas connections.

If connected to LP, have a qualified person make sure gas pressure does not exceed 13" water column.

Examples of a qualified person include licensed heating personnel, authorized gas company personnel, and authorized service personnel.

Failure to do so can result in death, explosion, or fire.

Natural Gas:

This dryer is equipped for use with NATURAL GAS. It is design-certified by CSA International for L.P. (propane or butane) gases with appropriate conversion.

L.P. Gas:

No attempt shall be made to convert the appliance from the gas specified on the model/serial rating plate for use with a different gas without consulting the serving gas supplier. Conversion must be done by a qualified service technician. Gas conversion kit part numbers are listed on the gas valve burner base.

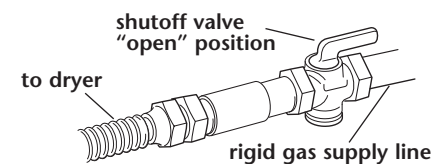
Burner input requirements:

Elevations up to 10,000 feet:

The design of this dryer has been certified by CSA International for use at altitudes up to 10,000 feet above sea level at the B.T.U. rating indicated on the model/serial rating plate. Burner input adjustments are not required when the dryer is operated up to this elevation.

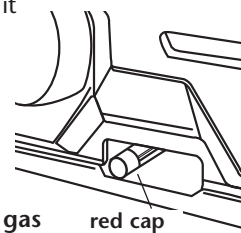
Elevations above 10,000 feet:

When installed above 10,000 feet, a four percent (4%) reduction of the burner B.T.U. rating shown on the model/serial rating plate is required for each 1,000 foot increase in elevation. For assistance installing dryer above 10,000 feet elevation, contact your serving gas supplier.



A combination of pipe fittings must be used to obtain an in-line connection to the dryer.

If local codes permit, it is recommended that new flexible metal tubing, design-certified by AGA or CSA, be used for connecting the appliance to the rigid gas supply line. (The gas pipe which extends through the lower rear of the appliance has 3/8-inch male pipe thread.)



A 1/8-inch NPT plugged tapping, accessible for test gauge connection, must be installed immediately upstream of the gas supply connection to the dryer.

The dryer and its individual shutoff valve must be disconnected from the gas supply piping system during any pressure testing of that system at test pressures in excess of 1/2 psi.

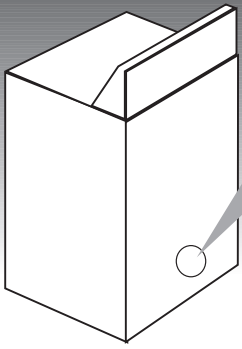
The dryer must be isolated from the gas supply piping system by closing its individual manual shutoff valve during any pressure testing of the gas supply piping system at test pressures equal to or less than 1/2 psi.

Copies of the standards listed may be obtained from:

*CSA International
8501 East Pleasant Valley Road
Cleveland, Ohio 44131-5575

OBSERVE ALL GOVERNING CODES AND ORDINANCES.

Exhaust requirements



WARNING



Fire Hazard

**Use a heavy metal vent.
Do not use a plastic vent.
Do not use a metal foil vent.
Failure to do so can result in death or fire.**

- Do Not use non-metal flexible vent or exhaust hoods with magnetic latches.
- Metal exhaust vent must be four inches in diameter.
- Do Not exhaust dryer into any gas vent, chimney, furnace, cold air vent, wall, ceiling concealed space of a building, attic or crawl space, or any other vent used for venting.
- Do Not install flexible vent in enclosed walls, ceilings or floors.

Important: Observe all governing codes and ordinances.

Dryer MUST BE EXHAUSTED to the outside.

Moisture and lint indoors may cause:

- lint to gather around the dryer where it can be fuel for a fire.
- moisture damage to woodwork, furniture, paint, wallpaper, carpet, etc.
- housecleaning problems and health problems.

Dura Safe™ venting products are recommended and are available from your dealer.

Four-inch diameter vent is required.

Use a heavy metal vent. Do Not use plastic or metal foil vent.

Rigid metal vent is recommended to prevent crushing and kinking.

Flexible metal vent must be fully extended and supported when the dryer is in its final position. Remove excess flexible vent to avoid sagging and kinking that may result in reduced air flow.

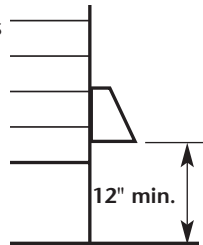
An exhaust hood should cap the exhaust vent to prevent rodents and insects from entering the home.

Exhaust outlet hood must be at least 12 inches from the ground or any object that may be in the path of the exhaust (such as flowers, rocks or bushes, etc.).

If using an existing exhaust system, clean lint from entire length of system and make sure exhaust hood is not plugged with lint. Replace any plastic or metal foil vent with rigid metal or flexible metal vent.

Use clamps to seal all joints. Do Not use duct tape, screws or other fastening devices that extend into the interior of the vent to secure vent.

Service check: Back pressure in any exhaust system used must not exceed 0.6 inches in water column measured with an incline manometer at the point that exhaust vent connects to dryer.



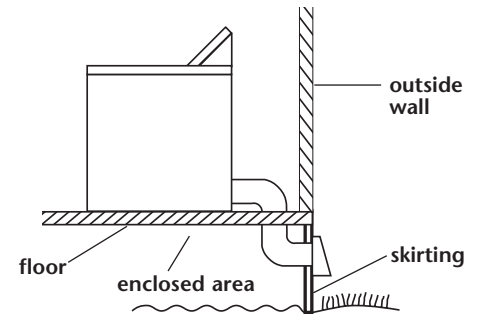
Mobile home installation requirements

If codes permit, this appliance is suitable for mobile home installations. The installation of the dryer must conform to Manufactured Home Construction and Safety Standard, Title 24 CFR, Part 3280 (formerly the Federal Standard for Mobile Homes Construction and Safety, Title 24, HUD Part 280) or latest edition.

The dryer must be fastened to the floor.

Order Mobile Home Installation Kit, Part No. 346764, from your dealer. Kit includes the necessary fastening hardware and detailed installation instructions. Metal exhaust system is also available through your dealer.

The dryer must be exhausted outside.

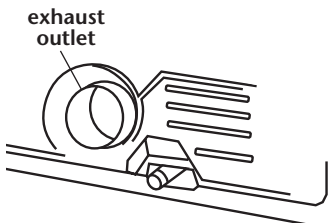


The exhaust vent must be securely fastened to a non-combustible portion of the mobile home structure. The exhaust system must not terminate beneath the mobile home.

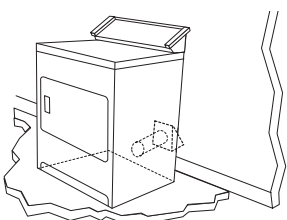
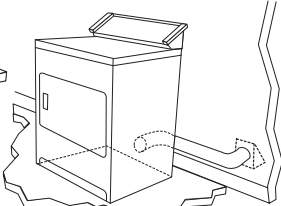
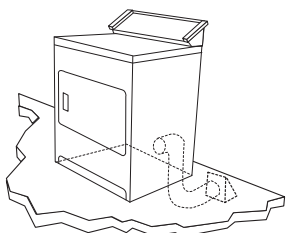
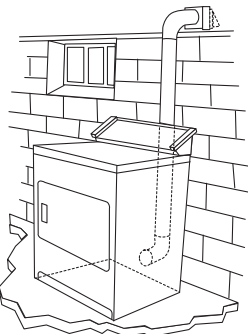
Plan the exhaust vent installation

Route the vent

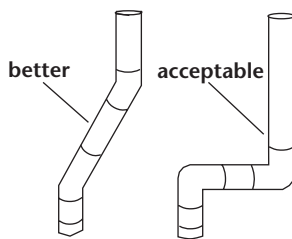
The exhaust outlet is located at the center of the rear of the dryer.



The exhaust vent can be routed up, down, left, right or straight out the back of the dryer. See "Recessed area/closet installation" section, Panel A, for general space requirements.



exhaust air flow



Select the route that will provide the straightest and most direct path outdoors. Plan the installation to use the fewest number of elbows and turns.

When using elbows or making turns, allow as much room as possible. Bend vent gradually to avoid kinking.

Determine vent length

The maximum length of the exhaust system depends upon:

- the type of vent (rigid or flexible metal).
- the number of elbows used.

1. See the exhaust vent length chart that matches your type hood for the maximum vent lengths you can use.

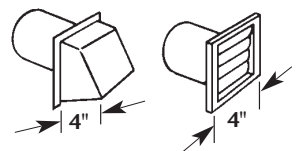
Do not use vent runs longer than specified in exhaust vent length charts.

Exhaust systems longer than specified will:

- accumulate lint creating a potential fire hazard.
- shorten the life of the dryer.
- reduce performance, resulting in longer drying times and increased energy usage.

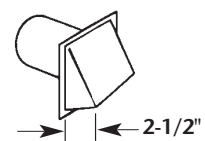
- Determine the number of elbows you will need.
- In the column listing the type of metal vent you are using (rigid or flexible), find the maximum length of metal vent on the same line as the number of elbows.

Preferred —



When you have a 4" hood ...		
	Maximum length of 4" diameter metal vent	
Number of 90° elbows	Rigid	Flexible (fully extended)
0	64 ft.	36 ft.
1	54 ft.	31 ft.
2	44 ft.	27 ft.
3	35 ft.	25 ft.
4	27 ft.	23 ft.

Acceptable —



When you have a 2-1/2" hood ...		
	Maximum length of 4" diameter metal vent	
Number of 90° elbows	Rigid	Flexible (fully extended)
0	58 ft.	28 ft.
1	48 ft.	23 ft.
2	38 ft.	19 ft.
3	29 ft.	17 ft.
4	21 ft.	15 ft.

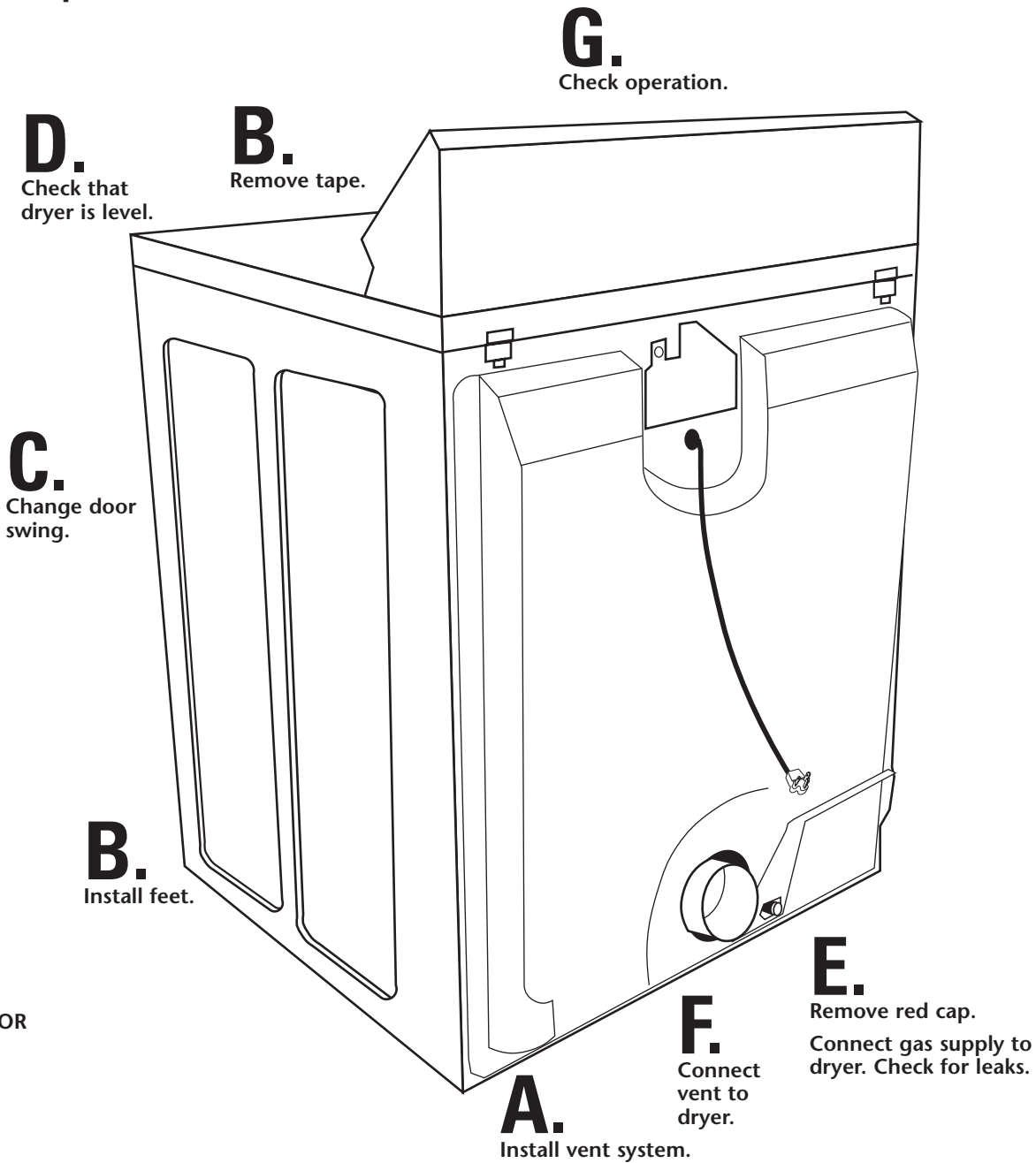
The maximum length using a 2" x 6" rectangular vent with 2 elbows and a 2-1/2" exhaust hood is 8 feet.

For exhaust systems not covered by exhaust vent length charts (such as multiple unit hookups, plenums, and power-assist fans), see Service Manual, Part No. 603197. (To purchase the Service Manual, see your Use and Care Guide for a toll-free telephone number.)



Now start installation (If installing washer and dryer, install dryer first.)

See installation steps for details.

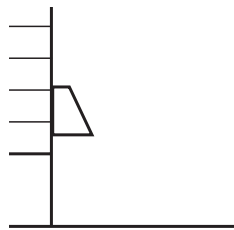


SLIDE DRYER ONTO CARDBOARD OR HARDBOARD BEFORE MOVING ACROSS FLOOR TO PREVENT FLOOR DAMAGE.

A. Install vent system (new installation)

1. Put on safety glasses and gloves.

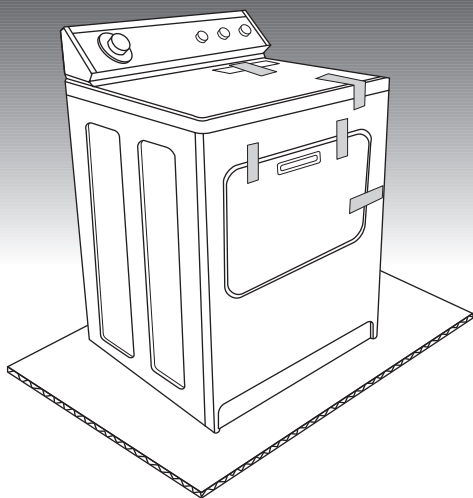
2. Install exhaust hood. Use caulking compound to seal exterior wall opening around exhaust hood.



3. Connect exhaust vent to hood. (Exhaust vent MUST fit inside hood.) Secure vent to hood with 4" clamp.

4. Run exhaust vent to dryer location. Use the straightest path possible. (See Panel C.) Avoid 90° turns. Use clamps to seal all joints.

B. Prepare dryer



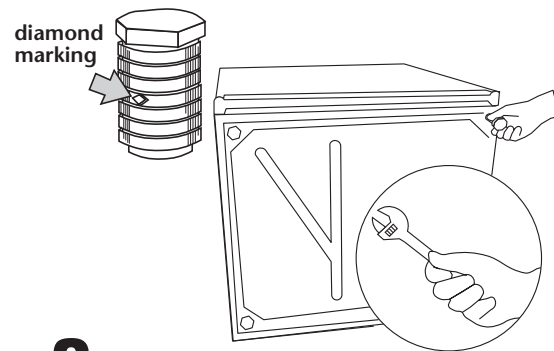
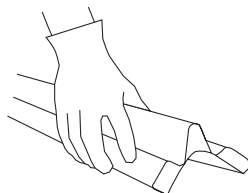
⚠ WARNING

Excessive Weight Hazard

Use two or more people to move and install dryer. Failure to do so could result in back or other injury.

1. Remove tape from dryer cabinet. Open dryer door and remove tape from dryer drum. (Not all dryer drums are taped.) Remove drying rack, if included. Turn dryer drum counterclockwise to make sure all tape was removed. Wipe drum with damp cloth to remove any dust.

2. Take two cardboard corners from dryer carton and place them on floor in back of dryer. Firmly grasp body of dryer and gently lay it on its back on the cardboard corners.



3. Start to screw legs into holes by hand. Use an adjustable wrench or 1" hex-head socket wrench to finish turning legs until you reach the ridge with the diamond marking.

4. Stand dryer up on cardboard or hardboard.

C. Change door swing

Available on Super-wide side-swing and Large side-swing door models only.
If not reversing door swing, skip ahead to "Level and exhaust dryer" steps.

Be careful not to scratch or chip paint.

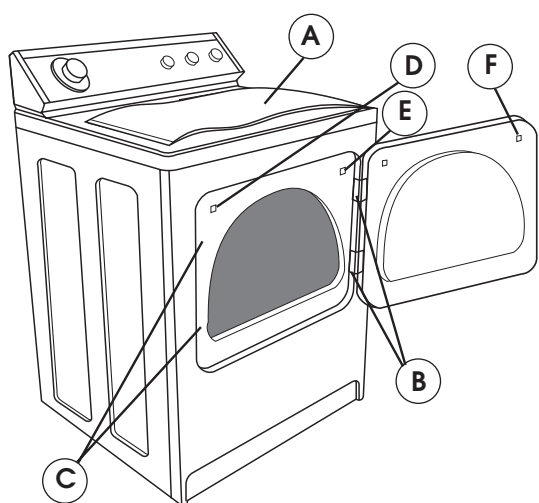
1. Place a large towel or soft cloth (A) on top of dryer.

2. Open dryer door. Remove bottom screws from cabinet side of hinges (B). Loosen (do not remove) top screws from cabinet side of hinges.

3. Lift door until top screws in cabinet are in large part of hinge slot. Pull door forward off screws. Set door (handle side up) on top of dryer. Remove top screws from cabinet.

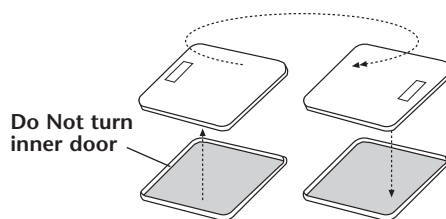
Complete door swing change following the instructions for your type door.

Super-wide side swing door

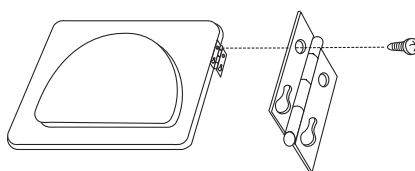


4. Remove screws attaching hinges to door.

5. Remove screws at top, bottom and side of door. Holding door over towel on dryer, grasp sides of outer door and carefully lift to separate it from inner door. Do NOT pry apart with putty knife. Do NOT pull on door seal or plastic door catches.

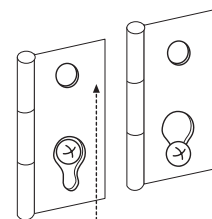


6. Turn and reattach outer door panel to inner door panel so handle is on the side where hinges were just removed. Be careful to keep cardboard spacer centered between inner and outer doors.



7. Attach door hinge to door so large part of hinge slot is at bottom of hinge.

8. Carefully remove 4 hinge hole plugs (C) on left side of cabinet. Insert plugs into hinge holes (B) on right side of cabinet.

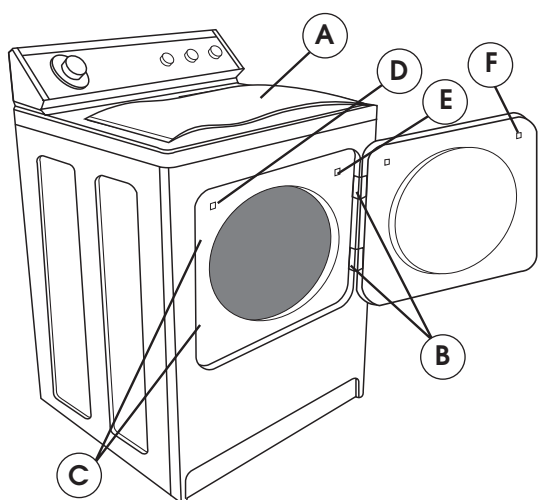


9. Insert screws in bottom holes on left side of cabinet. Tighten screws halfway. Position door so large end of door hinge slot is over screws. Slide door up so screws are in bottom of slots. Tighten screws. Insert and tighten top screws in hinges.

10. Remove door strike (D) from cabinet. Remove door strike plug (E). Insert door strike in new hole and secure with screw. Insert door strike plug in original door strike hole and secure with screw.

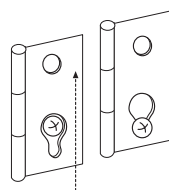
11. Slowly close door and check that door strike aligns with door catch (F). If door does not close completely, slide door catch left or right within slot until strike snaps into catch.

Large side swing door



4. Carefully remove 4 hinge hole plugs (C) on left side of cabinet. Insert plugs into hinge holes (B) on right side of cabinet.

5. Insert screws in bottom holes on left side of cabinet. Tighten screws halfway. Position door so large end of door hinge slot is over screws. Slide door up so screws are in bottom of slots. Tighten screws. Insert and tighten top screws in hinges.



6. Remove door strike (D) from cabinet. Remove door strike plug (E). Insert door strike in new hole and secure with screw. Insert door strike plug in original door strike hole and secure with screw.

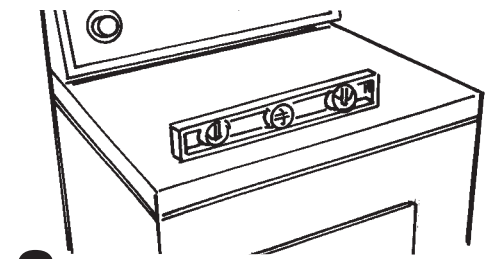
7. Slowly close door and check that door strike aligns with door catch (F). If door does not close completely, slide door catch left or right within slot until strike snaps into catch.

D. Level dryer

Dryer must be level to reduce noise and assure proper performance.

Slide dryer onto cardboard or hardboard before moving across floor to prevent floor damage.

1. Move dryer close to its permanent location. Leave enough room to connect exhaust vent. Remove cardboard or hardboard from under dryer.

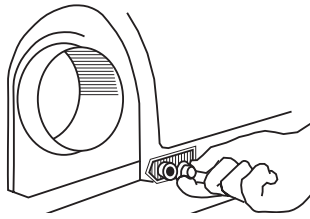


2. Check levelness of dryer by placing a level on top of dryer, first side to side, then front to back. If dryer is not level, adjust dryer legs up or down.

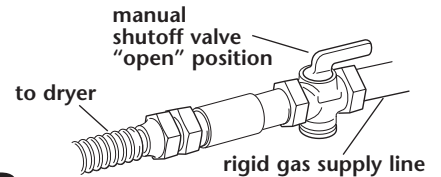
If legs are not long enough to level dryer, order Extended Dryer Feet Kit, Part No. 279810 (sold two legs per kit), from your dealer.

E. Make gas connection

1. Remove the red cap from the gas pipe. (You may need to use pliers.) Move the dryer into its final position.



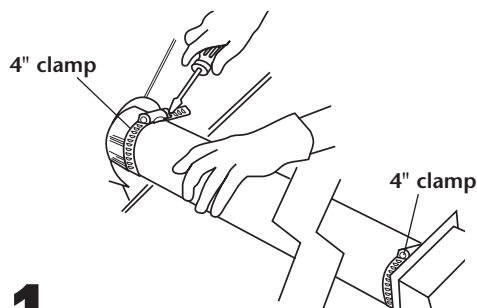
2. Connect gas supply to dryer. Use pipe-joint compound resistant to the action of L.P. gas for gas connections. If flexible metal tubing is used, be certain there are no kinks.



3. Turn the shutoff valve in the gas supply line to the "open" position.

4. Use a brush and liquid detergent to test all external gas connections for leaks. Bubbles around connections will indicate a leak. If a leak appears, shut off gas valve controls and tighten connections. Then check connections again.

F. Exhaust dryer

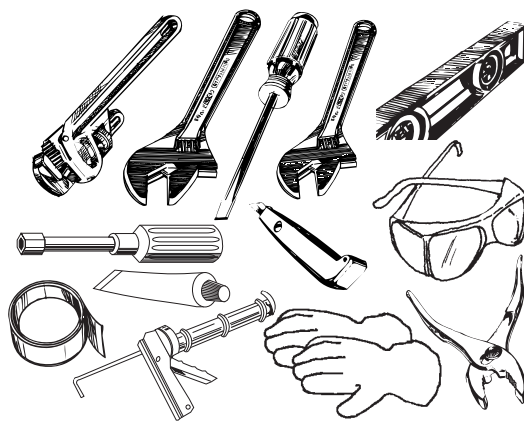


1. Using a 4" clamp, connect exhaust vent to exhaust outlet in dryer. If connecting to existing exhaust vent, make sure the vent is clean. The dryer exhaust vent **must** fit over the dryer exhaust outlet and inside the exhaust hood.

Make sure exhaust vent is secured to exhaust hood with a 4" clamp.

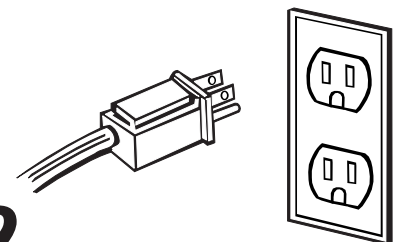
2. Move dryer into final position. Do not crush or kink exhaust vent. Make sure dryer is level.

G. Check operation



1. Check that you:

- ✓ did not skip any steps.
- ✓ installed all parts.
- ✓ properly installed dryer legs.
- ✓ leveled dryer.
- ✓ have all the tools you started with.



2. Plug power supply cord into grounded 3-prong outlet.

3. Read the Use and Care Guide to fully understand your new dryer. Select a full heat cycle (not the air cycle) and start dryer. After five minutes, open dryer door. You should feel heat inside dryer.

If the burner did not ignite and you do not feel heat inside the dryer, shut the dryer off for 5 minutes. Then check that:

- ✓ controls are set in a running or "On" position.
- ✓ start button has been pushed firmly.
- ✓ gas supply line shutoff valve is open.

Repeat 5-minute test. If dryer still does not operate properly, check the following:

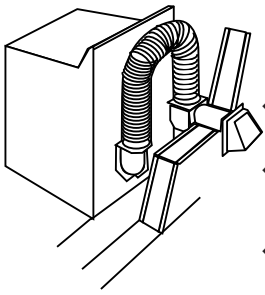
- ✓ electrical supply is connected.
- ✓ house fuse is intact and tight; or circuit breaker has not tripped.
- ✓ dryer door is closed.

If dryer makes an unusual noise, check that dryer is level.

**CRUSH
RESISTANT**

Dura Safe™ SURE CONNECT™ Vent Kit

Kits Make Installation Easy



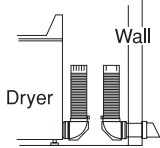
Part #4396028

- ◆ Provides 4 1/2" clearance between dryer and wall
- ◆ Snap-Lock fittings
- ◆ Total kit length 8 feet
- ◆ Additional vent can be snapped between sections for longer runs

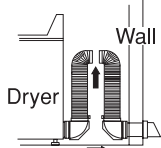
Kit Contains:

- 2- 4' vent sections with attached close elbows
- 1- Wall plate for close clearance installations
- 2- 4" clamps

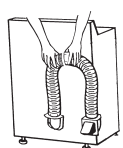
"As easy as 1-2-3"



Step 1
Clamp one elbow/vent section to wall and one to dryer.



Step 2
Extend vent upward, almost to top of dryer, then push dryer to wall.

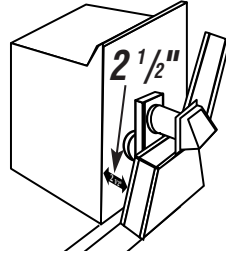


Step 3
From over the top, snap vent together.

Dura Safe and Sure Connect are Trademarks of Whirlpool, U.S.A.

Periscopes For Offset Outlets, Tight Installations

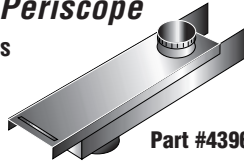
- ◆ Provides 2 1/2" clearance between dryer and wall
- ◆ Great for closet installations
- ◆ 0"-18", 18"-29" or 29"-50" periscopes include one male snap-lock fitting, one extra long draw-band collar and one clamp



0"-18" : Part #4396037
18"-29" : Part #4396011
29"-50" : Part #4396014

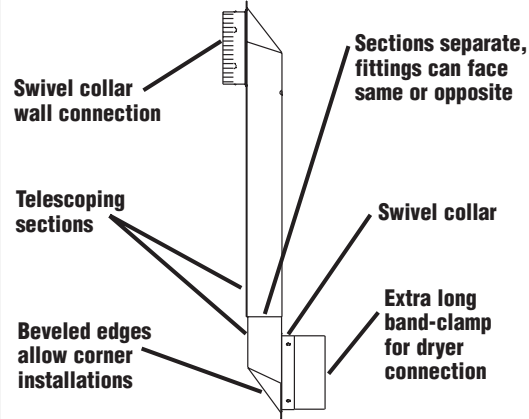
0"-18" Periscope

- ◆ Use when vent outlets overlap or are offset
- ◆ Excess length can be trimmed to fit



Part #4396037

18"-29" and 29"-50" Periscope



18"-29" : Part #4396011

29"-50" : Part #4396014

For more information,
or to easily place your
order, call

1-800-442-9991

To have your venting
professionally installed,
call

1-800-253-1301

for the nearest
authorized service
provider.



Before you start:

Your safety and the safety of others are very important.

We have provided many important safety message in this manual and on your appliance. Always read and obey all safety messages.



This is the safety alert symbol.

This symbol alerts you to potential hazards that can kill or hurt you and others.

All safety messages will be preceded by the safety alert symbol and the word "DANGER" or "WARNING". These words mean:

DANGER

You can be killed or seriously injured if you don't immediately follow instructions.

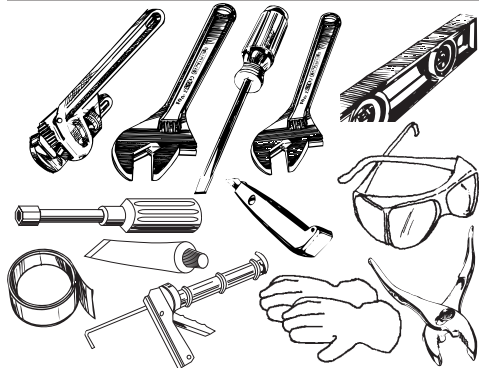
WARNING

You can be killed or seriously injured if you don't follow instructions.

All safety messages will tell you what the potential hazard is, tell you how to reduce the chance of injury, and tell you what can happen if the instructions are not followed.

Check that you have everything necessary for correct installation. Proper installation is your responsibility.

Tools needed:



- 8" or 10" pipe wrench (shown) or socket wrench
- 8" or 10" adjustable wrench (for gas connections)
- flat-blade screwdriver
- adjustable wrench that opens to 1" (shown) or 1" hex-head socket wrench (for adjusting dryer feet)
- level
- 1/4" nut driver
- knife
- safety glasses
- duct tape
- pipe-joint compound resistant to L.P. gas
- caulking gun and compound (for installing new exhaust vent)
- gloves
- pliers

Tools needed to change door swing:

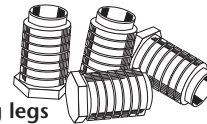
- Phillips screwdriver
- soft cloth or towel

Part No. 3978906

© 2000 Whirlpool Corporation

Parts supplied:

Remove parts package from dryer drum. Check that all parts were included.



4 leveling legs

Parts needed:

Check local codes and with gas supplier, and read electrical, gas and venting requirements before purchasing parts.

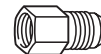
Gas

Gas supply line must have:

- 1/8" NPT plugged tapping.
- Shutoff valve within 183 cm (6 ft) of appliance is required.

Rigid gas supply line must be:

- 1/2" IPS pipe used with a combination of pipe fittings.
- Connection to dryer:
 - New, flexible metal tubing design-certified by AGA or CSA.
 - 3/8" flare x 3/8" NPT female.



Optional connection to dryer:

Gas supply line tubing must be:

- Lengths under 20 feet can use 3/8" approved tubing (if codes and gas supplier permit).
- Lengths over 20 feet should use larger tubing.

L.P. gas conversion:

In U.S. - Conversion must be made by a qualified technician. See gas valve burner base for gas conversion kit part number.

Venting

WARNING



Fire Hazard

Use a heavy metal vent.

Do not use a plastic vent.

Do not use a metal foil vent.

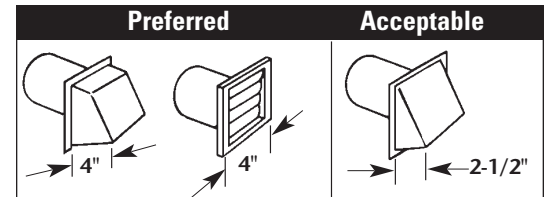
Failure to do so can result in death or fire.

Four-inch heavy metal exhaust vent and clamps must be used. Dura Safe™ vent products are recommended.

Dura Safe vent products can be purchased from your dealer or by calling Whirlpool Parts & Accessories 1-800-442-9991, Mon-Fri: 8am to 9pm (CST), Sat: 9am to 4:30pm (CST). Visit our internet site at <http://www.whirlpoolappliances.com/accessories> See Panel G for more information.

Exhaust hood

Do Not use exhaust hoods with magnetic latches.



Mobile home installations require:

- Mobile Home Installation Kit, Part Number 346764*
- Metal exhaust system hardware*

Floors sloped greater than 1 inch:

Require Extended Dryer Feet Kit, Part No. 279810*

*Available for purchase from your dealer.