



29" (73.7 CM) LONG VENT GAS DRYER
USE & CARE GUIDE

PARA LA SECADORA A GAS CON DUCTO DE ESCAPE
DE 29" (73,7 CM)
MANUAL DE USO Y CUIDADO

INSTRUCTIONS POUR L'INSTALLATION DE LA SÉCHEUSE
À GAZ DE 29" (73,7 CM)
GUIDE D'UTILISATION ET D'ENTRETIEN

FOR QUESTIONS ABOUT FEATURES, OPERATION/PERFORMANCE,
PARTS, ACCESSORIES OR SERVICE CALL: 1.800.688.9900
IN CANADA, CALL: 1.800.807.6777

VISIT OUR WEBSITE AT WWW.MAYTAG.COM
IN CANADA, WWW.MAYTAG.CA

SI TIENE PREGUNTAS RESPECTO A LAS CARACTERÍSTICAS,
FUNCIONAMIENTO, RENDIMIENTO, PARTES, ACCESORIOS O
SERVICIO TÉCNICO, LLAME AL: 1.800.688.9900
EN CANADÁ, LLAME AL: 1.800.807.6777

VISITE NUESTRO SITIO WEB EN
WWW.MAYTAG.COM
EN CANADÁ, WWW.MAYTAG.CA

AU CANADA, POUR ASSISTANCE, INSTALLATION OU SERVICE,
COMPOSEZ LE : 1.800.807.6777

OU VISITER NOTRE SITE INTERNET À
WWW.MAYTAG.CA

TABLE OF CONTENTS

DRYER SAFETY	3
INSTALLATION INSTRUCTIONS	5
Tools and Parts	5
Location Requirements	5
Electrical Requirements	7
Gas Supply Requirements	7
Venting Requirements	8
Plan Vent System	10
Install Vent System	12
Install Leveling Legs	12
Make Gas Connection	12
Connect Vent	13
Level Dryer	13
Reverse Door Swing (Optional)	13
Complete Installation	14
DRYER USE	15
Starting Your Dryer	15
Drying Rack Option	16
DRYER CARE	16
Cleaning the Dryer Location	16
Cleaning the Lint Screen	16
Cleaning the Dryer Interior	17
Removing Accumulated Lint	17
Vacation and Moving Care	17
Changing the Drum Light	17
TROUBLESHOOTING	18
ASSISTANCE OR SERVICE	20
WARRANTY	21

ÍNDICE

SEGURIDAD DE LA SECADORA	22
INSTRUCCIONES DE INSTALACIÓN	24
Herramientas y piezas	24
Requisitos de ubicación	24
Requisitos eléctricos	26
Requisitos del suministro de gas	27
Requisitos de ventilación	28
Planificación del sistema de ventilación	29
Instalación del sistema de ventilación	32
Instalación de las patas niveladoras	32
Conexión del suministro de gas	32
Conexión del ducto de escape	33
Nivelación de la secadora	33
Cómo invertir el cierre de la puerta (opcional)	33
Complete la instalación	34
USO DE LA SECADORA	35
Puesta en marcha de su secadora	35
Opción de estante de secado	36
CUIDADO DE LA SECADORA	37
Limpieza del lugar donde está la secadora	37
Limpieza del filtro de pelusa	37
Limpieza del interior de la secadora	38
Eliminación de pelusa acumulada	38
Cuidado para las vacaciones y la mudanza	38
Cambio de la luz del tambor	38
SOLUCIÓN DE PROBLEMAS	39
AYUDA O SERVICIO TÉCNICO	41
GARANTÍA	42

TABLE DES MATIÈRES

SÉCURITÉ DE LA SÈCHEUSE	43
INSTRUCTIONS D'INSTALLATION	45
Outillage et pièces nécessaires	45
Exigences d'installation	45
Spécifications électriques	47
Spécifications de l'alimentation en gaz	48
Exigences concernant l'évacuation	49
Planification du système d'évacuation	50
Installation du système d'évacuation	53
Installation des pieds de nivellement	53
Raccordement au gaz	53
Raccordement du conduit d'évacuation	54
Mise à niveau de la sècheuse	54
Inversion du sens d'ouverture de la porte (facultatif)	54
Achever l'installation	55
UTILISATION DE LA SÈCHEUSE	56
Mise en marche de la sècheuse	56
Option grille de séchage	57
ENTRETIEN DE LA SÈCHEUSE	58
Nettoyage de l'emplacement de la sècheuse	58
Nettoyage du filtre à charpie	58
Nettoyage de l'intérieur de la sècheuse	58
Comment enlever la charpie accumulée	59
Précautions à prendre pour les vacances et avant un déménagement	59
Changement de l'ampoule du tambour	59
DÉPANNAGE	60
ASSISTANCE OU SERVICE	62
GARANTIE	63

DRYER SAFETY

Your safety and the safety of others are very important.

We have provided many important safety messages in this manual and on your appliance. Always read and obey all safety messages.



This is the safety alert symbol.

This symbol alerts you to potential hazards that can kill or hurt you and others.

All safety messages will follow the safety alert symbol and either the word "DANGER" or "WARNING."

These words mean:

⚠ DANGER

You can be killed or seriously injured if you don't immediately follow instructions.

⚠ WARNING

You can be killed or seriously injured if you don't follow instructions.

All safety messages will tell you what the potential hazard is, tell you how to reduce the chance of injury, and tell you what can happen if the instructions are not followed.

WARNING: For your safety, the information in this manual must be followed to minimize the risk of fire or explosion, or to prevent property damage, personal injury, or death.

- Do not store or use gasoline or other flammable vapors and liquids in the vicinity of this or any other appliance.
- WHAT TO DO IF YOU SMELL GAS:
 - Do not try to light any appliance.
 - Do not touch any electrical switch; do not use any phone in your building.
 - Clear the room, building, or area of all occupants.
 - Immediately call your gas supplier from a neighbor's phone. Follow the gas supplier's instructions.
 - If you cannot reach your gas supplier, call the fire department.
- Installation and service must be performed by a qualified installer, service agency, or the gas supplier.

In the State of Massachusetts, the following installation instructions apply:

- Installations and repairs must be performed by a qualified or licensed contractor, plumber, or gasfitter qualified or licensed by the State of Massachusetts.
- If using a ball valve, it shall be a T-handle type.
- A flexible gas connector, when used, must not exceed 3 feet.

IMPORTANT SAFETY INSTRUCTIONS

WARNING: To reduce the risk of fire, electric shock, or injury to persons when using the dryer, follow basic precautions, including the following:

- Read all instructions before using the dryer.
- Do not place items exposed to cooking oils in your dryer. Items contaminated with cooking oils may contribute to a chemical reaction that could cause a load to catch fire.
- Do not dry articles that have been previously cleaned in, washed in, soaked in, or spotted with gasoline, dry-cleaning solvents, or other flammable or explosive substances as they give off vapors that could ignite or explode.
- Do not allow children to play on or in the dryer. Close supervision of children is necessary when the dryer is used near children.
- Before the dryer is removed from service or discarded, remove the door to the drying compartment.
- Do not reach into the dryer if the drum is moving.
- Do not install or store the dryer where it will be exposed to the weather.
- Do not tamper with controls.
- Do not repair or replace any part of the dryer or attempt any servicing unless specifically recommended in this Use and Care Guide or in published user-repair instructions that you understand and have the skills to carry out.
- Do not use fabric softeners or products to eliminate static unless recommended by the manufacturer of the fabric softener or product.
- Do not use heat to dry articles containing foam rubber or similarly textured rubber-like materials.
- Clean lint screen before or after each load.
- Keep area around the exhaust opening and adjacent surrounding areas free from the accumulation of lint, dust, and dirt.
- The interior of the dryer and exhaust vent should be cleaned periodically by qualified service personnel.
- See installation instructions for grounding requirements.

SAVE THESE INSTRUCTIONS

IMPORTANT: The gas installation must conform with local codes, or in the absence of local codes, with the National Fuel Gas Code, ANSI Z223.1/NFPA 54 or the Canadian Natural Gas and Propane Installation Code, CSA B149.1.

The dryer must be electrically grounded in accordance with local codes, or in the absence of local codes, with the National Electrical Code, ANSI/NFPA 70 or Canadian Electrical Code, CSA C22.1.

INSTALLATION INSTRUCTIONS

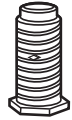
Tools and Parts

Gather the required tools and parts before starting installation. Read and follow the instructions provided with any tools listed here.

- 8" or 10" pipe wrench
- 8" or 10" adjustable wrench (for gas connections)
- Flat-blade screwdriver
- Adjustable wrench that opens to 1" (2.5 cm) or hex-head socket wrench (for adjusting dryer feet)
- 1/4" nut driver or socket wrench (recommended)
- Level
- Knife
- Vent clamps
- Pipe-joint compound resistant to LP gas
- Caulking gun and compound (for installing new exhaust vent)
- Pliers
- Tape measure

Parts supplied:

Remove parts package from dryer drum. Check that all parts were included.



4 leveling legs

Parts needed:

Check local codes and consult gas supplier. Check existing gas supply, electrical supply and venting, and read "Electrical Requirements," "Gas Supply Requirements" and "Venting Requirements" before purchasing parts.

Mobile home installations require special parts (listed following) that may be ordered by calling the dealer from whom you purchased your dryer. For further information, please refer to the "Assistance or Service" section.

- Mobile Home Installation Kit. Ask for Part Number 346764.
- Metal exhaust system hardware.

Location Requirements

⚠ WARNING



Explosion Hazard

Keep flammable materials and vapors, such as gasoline, away from dryer.

Place dryer at least 18 inches (46 cm) above the floor for a garage installation.

Failure to do so can result in death, explosion, or fire.

You will need

- A location that allows for proper exhaust installation. A gas dryer must be exhausted to the outdoors. See "Venting Requirements."
- A grounded electrical outlet located within 2 ft (61 cm) of either side of the dryer. See "Electrical Requirements."
- A sturdy floor to support the dryer and a total weight (dryer and load) of 200 lbs (90.7 kg). The combined weight of a companion appliance should also be considered.
- A level floor with a maximum slope of 1" (2.5 cm) under entire dryer. (If slope is greater than 1" [2.5 cm], install Extended Dryer Feet kit, Part No. 279810.) Clothes may not tumble properly and models with automatic sensor cycles may not operate correctly if dryer is not level.

Do not operate your dryer at temperatures below 45°F (7°C). At lower temperatures, the dryer might not shut off at the end of an automatic cycle. Drying times can be extended.

The dryer must not be installed or stored in an area where it will be exposed to water and/or weather.

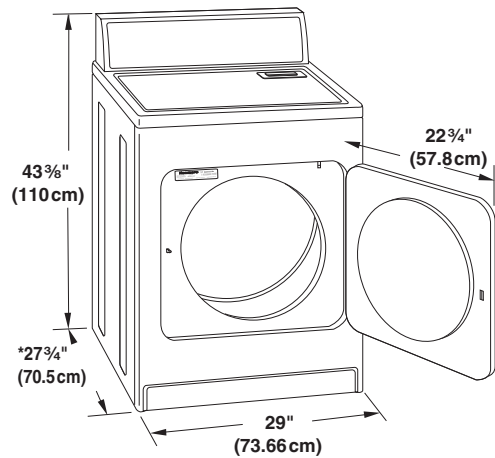
Check code requirements. Some codes limit, or do not permit, installation of the dryer in garages, closets, mobile homes or sleeping quarters. Contact your local building inspector.

NOTE: No other fuel-burning appliance can be installed in the same closet as a dryer.

Installation Clearances

The location must be large enough to allow the dryer door to open fully.

Dryer Dimensions



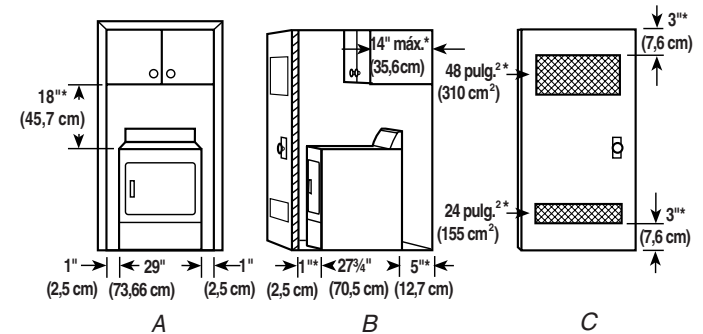
*Most installations require a minimum 5" (12.7 cm) clearance behind the dryer for the exhaust vent with elbow. See "Venting Requirements."

Installation spacing for recessed area or closet installation

The following spacing dimensions are recommended for this dryer. This dryer has been tested for spacing of 0" (0 cm) clearance on the sides and rear. Recommended spacing should be considered for the following reasons:

- Additional spacing should be considered for ease of installation and servicing.
- Additional clearances might be required for wall, door and floor moldings.
- Additional spacing should be considered on all sides of the dryer to reduce noise transfer.

- For closet installation, with a door, minimum ventilation openings in the top and bottom of the door are required. Louvered doors with equivalent ventilation openings are acceptable.
- Companion appliance spacing should also be considered.



A. Recessed area

B. Side view - closet or confined area

C. Closet door with vents

*Required spacing

Mobile Home - Additional Installation Requirements

This dryer is suitable for mobile home installations. The installation must conform to the Manufactured Home Construction and Safety Standard, Title 24 CFR, Part 3280 (formerly the Federal Standard for Mobile Home Construction and Safety, Title 24, HUD Part 280) or the Canadian Manufactured Home Standard, CAN/CSA-Z240 MH.

Mobile home installations require:

- Metal exhaust system hardware, which is available for purchase from your dealer.
- Mobile Home Installation Kit Part Number 346764. See "Tools and Parts" section for information on ordering.
- Special provisions must be made in mobile homes to introduce outside air into the dryer. The opening (such as a nearby window) should be at least twice as large as the dryer exhaust opening.

Electrical Requirements

⚠ WARNING



Electrical Shock Hazard

- Plug into a grounded 3 prong outlet.**
- Do not remove ground prong.**
- Do not use an adapter.**
- Do not use an extension cord.**
- Failure to follow these instructions can result in death, fire, or electrical shock.**

- 120 Volt, 60 Hz., AC only, 15- or 20-amp fused electrical supply is required. A time-delay fuse or circuit breaker is recommended. It is also recommended that a separate circuit serving only this dryer be provided.

GROUNDING INSTRUCTIONS

- For a grounded, cord-connected dryer:
This dryer must be grounded. In the event of malfunction or breakdown, grounding will reduce the risk of electric shock by providing a path of least resistance for electric current. This dryer is equipped with a cord having an equipment-grounding conductor and a grounding plug. The plug must be plugged into an appropriate outlet that is properly installed and grounded in accordance with all local codes and ordinances.

WARNING: Improper connection of the equipment-grounding conductor can result in a risk of electric shock. Check with a qualified electrician or service representative or personnel if you are in doubt as to whether the dryer is properly grounded. Do not modify the plug provided with the dryer: if it will not fit the outlet, have a proper outlet installed by a qualified electrician.

SAVE THESE INSTRUCTIONS

Gas Supply Requirements

⚠ WARNING



Explosion Hazard

- Use a new CSA International approved gas supply line.**
- Install a shut-off valve.**
- Securely tighten all gas connections.**
- If connected to LP, have a qualified person make sure gas pressure does not exceed 13" (33 cm) water column.**
- Examples of a qualified person include:
licensed heating personnel,
authorized gas company personnel, and
authorized service personnel.**
- Failure to do so can result in death, explosion, or fire.**

Gas Type

Natural Gas:

This dryer is equipped for use with Natural gas. It is design-certified by CSA International for LP (propane or butane) gases with appropriate conversion.

- Your dryer must have the correct burner for the type of gas in your home. Burner information is located on the rating plate in the door well of your dryer. If this information does not agree with the type of gas available, contact your dealer or call the phone numbers referenced on the front page of this manual.

LP gas conversion:

Conversion must be made by a qualified technician.

No attempt shall be made to convert the appliance from the gas specified on the model/serial rating plate for use with a different gas without consulting your gas company.

Gas Supply Line:

- Must include 1/8" NPT minimum plugged tapping accessible for test gauge connection, immediately upstream of the gas connection to the dryer. See illustration.
- 1/2" IPS pipe is recommended.
- 3/8" approved aluminum or copper tubing is acceptable for lengths under 20 ft (6.1 m) if local codes and gas supplier permit.
- If you are using Natural gas, do not use copper tubing.
- Lengths over 20 ft (6.1 m) should use larger tubing and a different size adapter fitting.
- If your dryer has been converted to use LP gas, 3/8" LP compatible copper tubing can be used. If the total length of the supply line is more than 20 ft (6.1 m), use larger pipe.

NOTE: Pipe-joint compounds that resist the action of LP gas must be used. Do not use TEFLON^{®†} tape.

- Must include a shutoff valve:

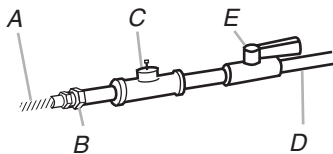
In the U.S.A.:

An individual manual shutoff valve must be installed within six (6) feet (1.8 m) of the dryer in accordance with the National Fuel Gas Code, ANSI Z223.1.

In Canada:

An individual manual shutoff valve must be installed in accordance with the B149.1, Natural Gas and Propane Installation Code. It is recommended that an individual manual shutoff valve be installed within six (6) feet (1.8 m) of the dryer.

The location should be easy to reach for opening and closing.



- A. 3/8" flexible gas connector
- B. 3/8" pipe to flare adapter fitting
- C. 1/8" NPT minimum plugged tapping
- D. 1/2" NPT gas supply line
- E. Gas shutoff valve

Gas supply connection requirements

- Use an elbow and a 3/8" flare x 3/8" NPT adapter fitting between the flexible gas connector and the dryer gas pipe, as needed to avoid kinking.
- Use only pipe-joint compound. Do not use TEFLON^{®†} tape.
- This dryer must be connected to the gas supply line with a listed flexible gas connector that complies with the standard for connectors for gas appliances, ANSI Z21.24 or CSA 6.10.

Burner Input Requirements:

Elevations above 10,000 ft (3,048 m):

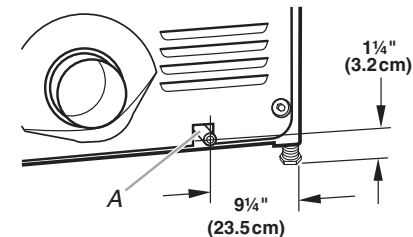
- When installed above 10,000 ft (3,048 m) a 4% reduction of the burner Btu rating shown on the model/serial number plate is required for each 1,000 ft (305 m) increase in elevation.

Gas supply pressure testing

- The dryer must be disconnected from the gas supply piping system during pressure testing at pressures greater than 1/2 psi.

Dryer Gas Pipe

- The gas pipe that comes out through the rear of your dryer has a 3/8" male pipe thread.



A. 3/8" NPT dryer pipe

Venting Requirements

⚠ WARNING



Fire Hazard

Use a heavy metal vent.

Do not use a plastic vent.

Do not use a metal foil vent.

Failure to follow these instructions can result in death or fire.

WARNING: To reduce the risk of fire, this dryer MUST BE EXHAUSTED OUTDOORS.

IMPORTANT: Observe all governing codes and ordinances.

The dryer exhaust must not be connected into any gas vent, chimney, wall, ceiling or a concealed space of a building.

†TEFLON is a registered trademark of E.I. Du Pont De Nemours and Company.

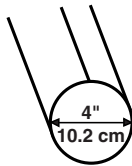
If using an existing vent system

- Clean lint from the entire length of the system and make sure exhaust hood is not plugged with lint.
- Replace any plastic or metal foil vent with rigid or flexible heavy metal vent.
- Review Vent system chart. Modify existing vent system if necessary to achieve the best drying performance.

If this is a new vent system

Vent material

- Use a heavy metal vent. Do not use plastic or metal foil vent.
- 4" (10.2 cm) heavy metal exhaust vent and clamps must be used.



4" (10.2 cm) heavy metal exhaust vent

Vent products can be purchased from your dealer or by calling Maytag Services. For more information, see the "Assistance or Service" section.

Rigid metal vent

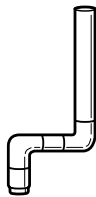
- For best drying performance, rigid metal vents are recommended.
- Rigid metal vent is recommended to avoid crushing and kinking.

Flexible metal vent

- Flexible metal vents are acceptable only if accessible for cleaning.
- Flexible metal vent must be fully extended and supported when the dryer is in its final location.
- Remove excess flexible metal vent to avoid sagging and kinking that may result in reduced airflow and poor performance.
- Do not install flexible metal vent in enclosed walls, ceilings or floors.

Elbows

45° elbows provide better airflow than 90° elbows.



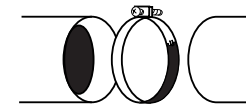
Good



Better

Clamps

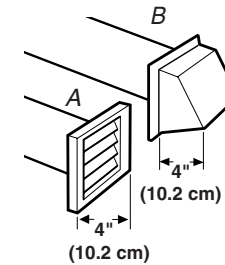
- Use clamps to seal all joints.
- Exhaust vent must not be connected or secured with screws or other fastening devices that extend into the interior of the duct. Do not use duct tape.



Clamp

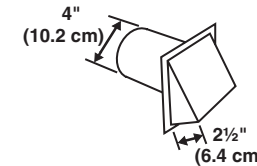
Exhaust

Recommended hood styles are shown here.



A. Louvered hood style
B. Box hood style

The angled hood style (shown here) is acceptable.



- An exhaust hood should cap the vent to keep rodents and insects from entering the home.
- Exhaust hood must be at least 12" (30.5 cm) from the ground or any object that may be in the path of the exhaust (such as flowers, rocks or bushes, snow line, etc.).
- Do not use an exhaust hood with a magnetic latch.

Improper venting can cause moisture and lint to collect indoors, which may result in:

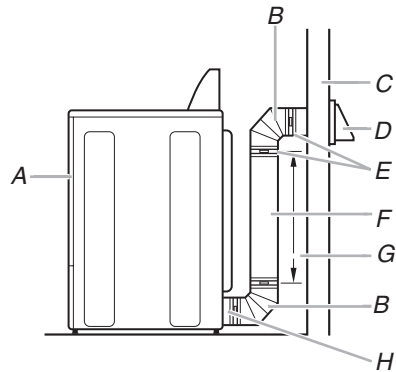
- Moisture damage to woodwork, furniture, paint, wallpaper, carpets, etc.
- Housecleaning problems and health problems.

Plan Vent System

Choose your exhaust installation type

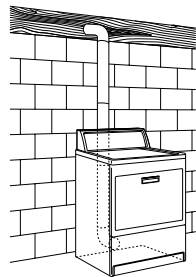
Recommended exhaust installations

Typical installations vent the dryer from the rear of the dryer. Other installations are possible.



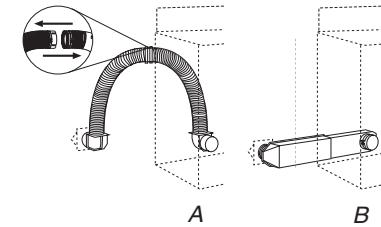
- | | |
|-----------------|--|
| A. Dryer | E. Clamps |
| B. Elbow | F. Rigid metal or flexible metal vent |
| C. Wall | G. Vent length necessary to connect elbows |
| D. Exhaust hood | H. Exhaust outlet |

Standard exhaust installation with rigid metal or flexible metal vent



Alternate installations for close clearances

Venting systems come in many varieties. Select the type best for your installation. Two close-clearance installations are shown. Refer to the manufacturer's instructions.



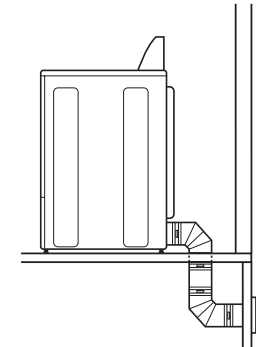
- A. Over-the-top installation (also available with one offset elbow)
 B. Periscope installation

NOTE: The following kits for close clearance alternate installations are available for purchase. To order please see the "Assistance or Service" section.

- Over-the-Top Installation:
 Part Number 4396028
- Periscope Installation (For use with dryer vent to wall vent mismatch):
 Part Number 4396037 - 0" (0 cm) to 18" (45.72 cm) mismatch
 Part Number 4396011 - 18" (45.72 cm) to 29" (73.66 cm) mismatch
 Part Number 4396014 - 29" (73.66 cm) to 50" (127 cm) mismatch

Special provisions for mobile home installations

The exhaust vent must be securely fastened to a noncombustible portion of the mobile home structure and must not terminate beneath the mobile home. Terminate the exhaust vent outside.



Determine vent path

- Select the route that will provide the straightest and most direct path outdoors.
- Plan the installation to use the fewest number of elbows and turns.
- When using elbows or making turns, allow as much room as possible.
- Bend vent gradually to avoid kinking.
- Use the fewest 90° turns possible.

Determine vent length and elbows needed for best drying performance

- Use the Vent system chart below to determine type of vent material and hood combinations acceptable to use.
NOTE: Do not use vent runs longer than those specified in the Vent system chart. Exhaust systems longer than those specified will:
 - Shorten the life of the dryer.
 - Reduce performance, resulting in longer drying times and increased energy usage.

The Vent system chart provides venting requirements that will help to achieve the best drying performance.

Vent systems charts

When using only one type of metal vent:

Use the following chart to help you determine your maximum vent length based on the number of 90° turns or elbows you will need and the type of vent (rigid and/or flexible metal) you will use.

Vent system chart

Number of 90° turns or elbows	Rigid metal vent	Flexible metal vent
0	120 ft (36.6 m)	40 ft (12.2 m)
1	110 ft (33.5 m)	37 ft (11.3 m)
2	100 ft (30.5 m)	33 ft (10.1 m)
3	90 ft (27.4 m)	30 ft (9.1 m)
4	80 ft (24.4 m)	27 ft (8.2 m)
5	70 ft (21.3 m)	23 ft (7.0 m)

When using a combination of rigid and flexible metal vent:

Use the following charts to help you determine your maximum vent length based on the number of 90° turns or elbows you will need.

- Determine the number of elbows or turns you will need.
- Determine the length of the fully extended flexible metal vent you will use. Find the column that has the nearest number of feet to what you will be using.

- Match the number of turns or elbows with the length of the fully extended flexible metal vent you will use to find the maximum length of rigid metal vent you can use.

Vent system chart - 0 ft (0 m) to 10 ft (3.0 m)

No. of turns or elbows	Length of flexible metal vent			Length of rigid metal vent
	0 ft (0 m)	1-5 ft (0.3-1.5 m)	6-10 ft (1.8-3.0 m)	
0	120 ft (36.6 m)	105 ft (32.0 m)	90 ft (27.4 m)	
1	110 ft (33.5 m)	95 ft (29.0 m)	80 ft (24.4 m)	
2	100 ft (30.5 m)	85 ft (25.9 m)	70 ft (21.3 m)	
3	90 ft (27.4 m)	75 ft (22.9 m)	60 ft (18.3 m)	
4	80 ft (24.4 m)	65 ft (19.8 m)	50 ft (15.2 m)	
5	70 ft (21.3 m)	55 ft (16.8 m)	40 ft (12.2 m)	

Vent system chart - 11 ft (3.4 m) to 25 ft (7.6 m)

No. of turns or elbows	Length of flexible metal vent			Length of rigid metal vent
	11-15 ft (3.4-4.6 m)	16-20 ft (4.9-6.1 m)	21-25 ft (6.4-7.6 m)	
0	75 ft (22.9 m)	60 ft (18.3 m)	45 ft (13.7 m)	
1	65 ft (19.8 m)	50 ft (15.2 m)	35 ft (10.7 m)	
2	55 ft (16.8 m)	40 ft (12.2 m)	25 ft (7.6 m)	
3	45 ft (13.7 m)	30 ft (9.1 m)	15 ft (4.6 m)	
4	35 ft (10.7 m)	20 ft (6.1 m)	5 ft (1.5 m)	
5	25 ft (7.6 m)	10 ft (3.0 m)	0 ft (0 m)	

Install Vent System

1. Install exhaust hood. Use caulking compound to seal exterior wall opening around exhaust hood.
2. Connect vent to exhaust hood. Vent must fit inside exhaust hood. Secure vent to exhaust hood with 4" (10.2 cm) clamp.
3. Run vent to dryer location. Use the straightest path possible. See "Determine vent path" in "Plan Vent System." Avoid 90° turns. Use clamps to seal all joints. Do not use duct tape, screws or other fastening devices that extend into the interior of the vent to secure vent.

Install Leveling Legs

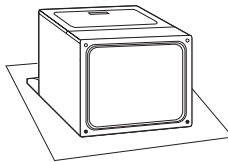
⚠ WARNING

Excessive Weight Hazard

Use two or more people to move and install dryer.

Failure to do so can result in back or other injury.

1. To protect the floor, use a large flat piece of cardboard from the dryer carton. Place cardboard under the entire back edge of the dryer.
2. Firmly grasp the body of the dryer (not the top or console panel). Gently lay the dryer on the cardboard. See illustration.



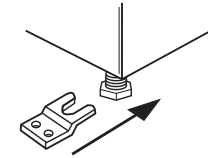
3. Examine the leveling legs. Find the diamond marking.



4. Screw the legs into the leg holes by hand. Use a wrench to finish turning the legs until the diamond marking is no longer visible.
5. Place a carton corner post from dryer packaging under each of the 2 dryer back corners. Stand the dryer up. Slide the dryer on the corner posts until it is close to its final location. Leave enough room to connect the exhaust vent or gas line.

For mobile home use

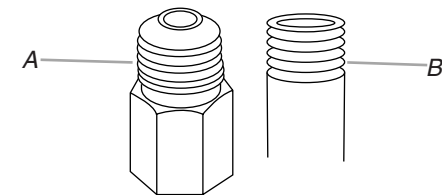
Gas dryers must be securely fastened to the floor.



Mobile home installations require a Mobile Home Installation Kit. See "Tools and Parts" section for information on ordering.

Make Gas Connection

1. Remove the red cap from the gas pipe.
2. Using a wrench to tighten, connect the gas supply to the dryer. Use pipe-joint compound on the threads of all non-flared male fittings. If flexible metal tubing is used, be sure there are no kinks.

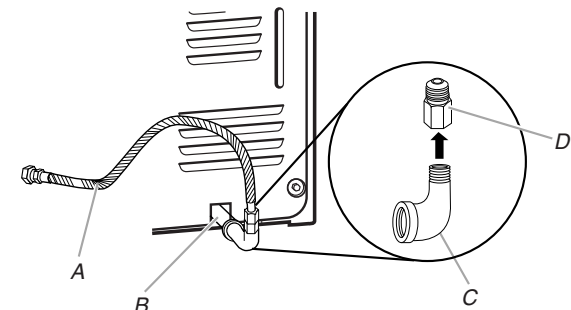


A. Flared male thread

B. Non-flared male thread

NOTE: For LP gas connections, you must use pipe-joint compound resistant to the action of LP gas. Do not use TEFLON[®] tape.

A combination of pipe fittings must be used to connect the dryer to the existing gas line. Shown is a recommended connection. Your connection may be different, according to the supply line type, size, and location.



A. 3/8" flexible gas connector

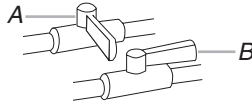
B. 3/8" dryer pipe

C. 3/8" to 1/2" pipe elbow

D. 3/8" pipe-to-flare adapter fitting

†®TEFLON is a registered trademark of E.I. Du Pont De Nemours and Company.

- Open the shutoff valve in the supply line. The valve is open when the handle is parallel to the gas pipe.



A. Closed valve
B. Open valve

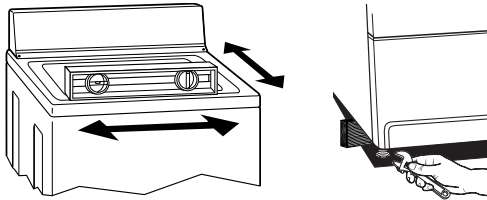
- Test all connections by brushing on an approved noncorrosive leak-detection solution. Bubbles will show a leak. Correct any leak found.

Connect Vent

- Using a 4" (10.2 cm) clamp, connect vent to exhaust outlet in dryer. If connecting to existing vent, make sure the vent is clean. The dryer vent must fit over the dryer exhaust outlet and inside the exhaust hood. Check that the vent is secured to exhaust hood with a 4" (10.2 cm) clamp.
- Move dryer into its final location. Do not crush or kink vent.
- (On gas models) Check that there are no kinks in the flexible gas line.
- Once the exhaust vent connection is made, remove the corner posts and cardboard.

Level Dryer

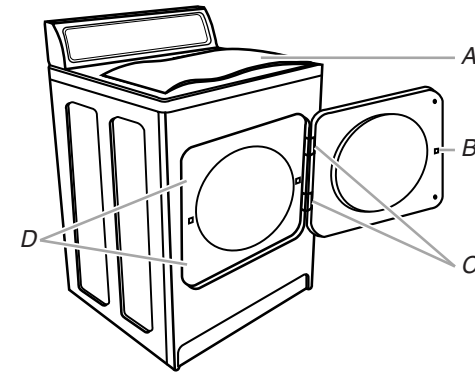
Check the levelness of the dryer. Check levelness first side to side, then front to back.



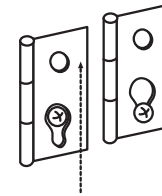
If the dryer is not level, prop up the dryer using a wood block. Use a wrench to adjust the legs up or down and check again for levelness.

Reverse Door Swing (Optional)

You can change your door swing from a right-side opening to a left-side opening, if desired.



- Place towel (A) on top of dryer to protect surface.
- Open dryer door. Remove bottom screws from cabinet side of hinges (C). Loosen (do not remove) top screws from cabinet side of hinges.
- Lift door until top screws in cabinet are in large part of hinge slot. Pull door forward off screws. Set door (handle side up) on top of dryer. Remove top screws from cabinet.
- Remove screws attaching hinges to door.
- Use a small, flat-blade screwdriver to gently remove 4 hinge hole plugs (D) on left side of cabinet. Insert plugs into hinge holes on right side of cabinet.
- Insert screws into bottom holes on left side of cabinet. Tighten screws halfway. Position door so large end of door hinge slot is over screws. Slide door up so screws are in bottom of slots. Tighten screws. Insert and tighten top screws in hinges.




- Close door and check that door strike aligns with door catch (B). If it is needed, slide door catch left or right within slot to adjust alignment.

Complete Installation

1. Check that all parts are now installed. If there is an extra part, go back through the steps to see which step was skipped.
2. Check that you have all of your tools.
3. Check the dryer's final location. Be sure the vent is not crushed or kinked.
4. Check that the dryer is level. See "Level Dryer."

⚠ WARNING



Electrical Shock Hazard

Plug into a grounded 3 prong outlet.

Do not remove ground prong.

Do not use an adapter.

Do not use an extension cord.

Failure to follow these instructions can result in death, fire, or electrical shock.

5. Plug into a grounded 3 prong outlet. Turn on power.

6. Remove any protective film on the console and any tape remaining on the dryer.
7. Dispose of/recycle all packaging materials.
8. Read "Dryer Use."
9. Wipe the dryer drum interior thoroughly with a damp cloth to remove any dust.
10. Select a Timed Dry heated cycle, and start the dryer. Do not select the Air Only Temperature setting.

If the dryer will not start, check the following:

- Dryer is plugged into a grounded 3 prong outlet.
 - Electrical supply is connected.
 - Household fuse is intact and tight, or circuit breaker has not tripped.
 - Dryer door is closed.
11. When the dryer has been running for 5 minutes, open the dryer door and feel for heat. If you feel heat, cancel cycle and close door. If you do not feel heat, turn off the dryer and check that the gas supply line shutoff valve is open.
 - If the gas supply line shutoff valve is closed, open it, then repeat the 5-minute test as outlined above.
 - If the gas supply line shutoff valve is open, contact a qualified technician.

DRYER USE

Starting Your Dryer

⚠ WARNING



Explosion Hazard

Keep flammable materials and vapors, such as gasoline, away from dryer.

Do not dry anything that has ever had anything flammable on it (even after washing).

Failure to follow these instructions can result in death, explosion, or fire.

⚠ WARNING



Fire Hazard

No washer can completely remove oil.

Do not dry anything that has ever had any type of oil on it (including cooking oils).

Items containing foam, rubber, or plastic must be dried on a clothesline or by using an Air Cycle.

Failure to follow these instructions can result in death or fire.

This book covers several different models. Your dryer may not have all of the cycles and features described.

Before using your dryer, wipe the dryer drum with a damp cloth to remove dust from storing and shipping.

1. Clean lint screen before each load. See “Cleaning the Lint Screen.”
2. Load clothes loosely into the dryer and close the door. Do not pack the dryer. Allow space for clothes to tumble freely.
3. Turn the Cycle Control knob to the recommended cycle for the type of load being dried. Use the Energy Preferred setting (*) to dry most heavy to medium-weight fabrics.
4. If your dryer has a Temperature selector, set it to the recommended setting for the type of fabric being dried. See “Dryer Cycle Descriptions” (separate sheet) for temperature suggestions. On some models, temperature is included in the cycle selections.
5. (OPTIONAL) Your dryer may have a WRINKLE PREVENT feature selector. When you are unable to remove a load from the dryer as soon as it stops, wrinkles can form. This feature periodically tumbles, rearranges and fluffs the load without heat to help smooth out wrinkles.
6. (OPTIONAL) Your dryer may have an END OF CYCLE SIGNAL. The signal is helpful when drying items that should be removed from the dryer as soon as it stops.
 - On some models, the volume of the End of Cycle signal can be adjusted. Turn the selector to the desired volume.
 - On other models, the End of Cycle signal is part of the Start button and is selectable. Turn the START button to ON or OFF. The signal will sound only if the selector is set to On.

7. Select the desired Option. See “Dryer Cycle Descriptions” (separate sheet).
8. If desired, add fabric softener sheet. Follow instructions on the package.
9. Push the START button.

How Automatic Drying Works

When you are using the Auto Moisture Sensing Cycle, the dryness of the load is determined by two metal strips (sensors) located on the inside of the dryer. The metal strips help “feel” the amount of moisture left in the clothes as they tumble. When moisture is left in the clothes, the Cycle Control knob will not advance. As clothes begin to dry, the amount of water left in the clothes decreases, and the timer advances through the remainder of the cycle. When the selected dryness level is reached, the dryer goes into a cool down period of up to 10 minutes.

Stopping and Restarting

You can stop your dryer anytime during a cycle.

To stop your dryer

Open the dryer door or turn the Cycle Control knob to OFF.

NOTE: The Cycle Control knob should point to an Off area when the dryer is not in use.

To restart your dryer

1. Close the door.
2. Select a new cycle and temperature (if desired).
3. Push the START button.

Drying Rack Option

Use the Drying Rack to dry items such as sweaters and pillows without tumbling. The drum turns, but the rack does not move.

If your model does not have a drying rack, you may be able to purchase one for your model. To find out whether your model allows drying rack usage and for information on ordering, please refer to the front page of the manual or contact the dealer from whom you purchased your dryer.

NOTE: The rack must be removed for normal tumbling. Do not use the automatic cycle with the drying rack.

To use the drying rack

1. Place drying rack in dryer.

Style 1: Your drying rack has front legs. Slide rear pegs into the dimples on the back wall of the dryer. Lower the front legs to rest on the dryer opening.

Style 2: Your drying rack does not have front legs. Do not remove the lint screen. Slide drying rack over the bottom of the dryer door opening. Push down to secure rack on frame.

2. Put wet items on top of rack, leaving space between items. Do not allow items to hang over the edge of the rack. Close the door.
3. Select a timed drying cycle and temperature, or an air cycle. Items containing foam, rubber, or plastic must be dried on a clothesline or by using an air cycle. Refer to the following table.
4. Start the dryer. Reset cycle to complete drying, if needed.


Rack Dry	Cycle	Temp	Time
Washable wool items (block to shape, lay flat on rack)	Timed Drying	Low	60 min.
Stuffed toys/pillows (cotton or polyester filled)	Timed Drying	Low	60 min.
Stuffed toys/pillows Foam rubber filled	Air (no heat)	N/A	90 min.

DRYER CARE

Cleaning the Dryer Location

Keep dryer area clear and free from items that would obstruct the flow of combustion and ventilation air.

⚠ WARNING



Explosion Hazard

Keep flammable materials and vapors, such as gasoline, away from dryer.

Place dryer at least 18 inches (46 cm) above the floor for a garage installation.

Failure to do so can result in death, explosion, or fire.

Cleaning the Lint Screen

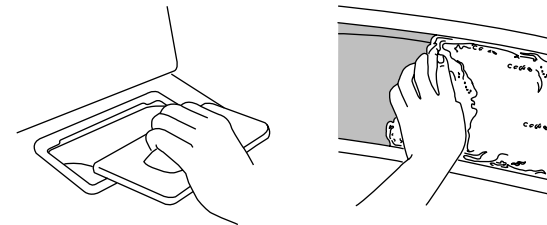
Clean lint screen before each load. A screen blocked by lint can increase drying time.

IMPORTANT:

- Do not run the dryer with the lint screen loose, damaged, blocked or missing. Doing so can cause overheating and damage to both the dryer and fabrics.
- If lint falls off the screen into the dryer during removal, check the exhaust hood and remove the lint.

Every Load Cleaning

1. The lint screen is located on top of the dryer. Pull the lint screen toward you. Roll lint off the screen with your fingers. Do not rinse or wash screen to remove lint. Wet lint is hard to remove.



2. Push the lint screen firmly back into place.

As Needed Cleaning

1. Roll lint off the screen with your fingers.
 2. Wet both sides of lint screen with hot water.
 3. Wet a nylon brush with hot water and liquid detergent. Scrub lint screen with the brush to remove residue buildup.
 4. Rinse screen with hot water.
 5. Thoroughly dry lint screen with a clean towel. Replace screen in dryer.
-

Cleaning the Dryer Interior

1. Apply a liquid, nonflammable household cleaner to the stained area of the drum and rub with a soft cloth until stain is removed.
2. Wipe drum thoroughly with a damp cloth.
3. Tumble a load of clean cloths or towels to dry the drum.

NOTE: Garments that contain unstable dyes, such as denim blue jeans or brightly colored cotton items, may discolor the dryer interior. These stains are not harmful to your dryer and will not stain future loads of clothes. Dry unstable dye items inside-out to avoid transfer of dye.

Removing Accumulated Lint

From Inside the Dryer Cabinet

Lint should be removed every 2 years, or more often, depending on dryer usage. Cleaning should be done by a qualified person.

From the Exhaust Vent

Lint should be removed every 2 years, or more often, depending on dryer usage.

Vacation and Moving Care

Vacation care

Operate your dryer only when you are at home. If you will be on vacation or not using your dryer for an extended period of time, you should:

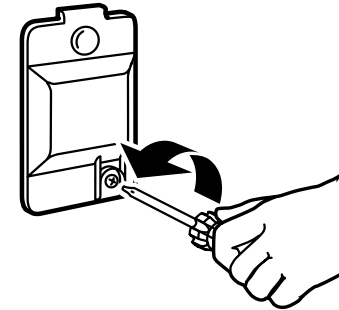
1. Unplug dryer or disconnect power.
 2. Close shutoff valve in gas supply line.
 3. Clean lint screen. See "Cleaning the Lint Screen."
-

Moving care

1. Unplug the power supply cord.
 2. Close shutoff valve in gas supply line.
 3. Disconnect gas supply line pipe and remove fittings attached to dryer pipe.
 4. Cap the open fuel supply line.
 5. Make sure leveling legs are secure in dryer base.
 6. Use masking tape to secure dryer door.
-

Changing the Drum Light

1. Unplug dryer or disconnect power.
2. Open the dryer door. Locate the light bulb cover on the back wall of the dryer. Remove the screw located in the lower right-hand corner of the cover. Remove the cover.



3. Turn bulb counterclockwise. Replace the bulb with a 10-watt appliance bulb only. Replace the cover and secure with the screw.
4. Plug in dryer or reconnect power.

TROUBLESHOOTING

First try the solutions suggested here and possibly avoid the cost of a service call...

Dryer Operation

Dryer will not run

- **Has a household fuse blown, or has a circuit breaker tripped?**
Electric dryers use 2 household fuses or circuit breakers. The drum may be turning, but you may not have heat. Replace the fuse or reset the circuit breaker. If the problem continues, call an electrician.
- **Was a regular fuse used?**
Use a time-delay fuse.
- **Is the dryer door firmly closed?**
- **Was the Start button firmly pressed?**
- **Is a cycle selected?**
The dryer will not start in the Wrinkle Prevent position. Move the dial past OFF.

No heat

- **Has a household fuse blown, or has a circuit breaker tripped?**
The drum may be turning, but you may not have heat. Replace the fuse or reset the circuit breaker. If the problem continues, call an electrician.
- **Is the valve open on the gas supply line?**

Unusual sounds

- **Has the dryer had a period of non-use?**
If the dryer hasn't been used for a while, there may be a thumping sound during the first few minutes of operation.
- **Is a coin, button, or paper clip caught between the drum and front or rear of the dryer?**
Check the front and rear edges of the drum for small objects. Clean out pockets before laundering.
- **Is it a gas dryer?**
The gas valve clicking is a normal operating sound.
- **Are the four legs installed, and is the dryer level front to back and side to side?**
The dryer may vibrate if not properly installed. See the Installation Instructions.
- **Is the clothing knotted or balled up?**
When balled up, the load will bounce, causing the dryer to vibrate. Separate the load items and restart the dryer.

Timer does not noticeably advance

- **Is the dryer set to Timed or Air Dry?**
The timer moves slowly and continuously for the time setting.
- **Is the dryer set to Automatic Drying?**
The timer moves only when the clothing is mostly dry. See "How Automatic Drying Works" in "Dryer Use."

Dryer Results

Clothes are not drying satisfactorily, drying times are too long, or load is too hot

- **Is the lint screen clogged with lint?**
Lint screen should be cleaned before each load.

⚠ WARNING



Fire Hazard

Use a heavy metal vent.

Do not use a plastic vent.


Do not use a metal foil vent.

Failure to follow these instructions can result in death or fire.

- **Is the exhaust vent or outside exhaust hood clogged with lint, restricting air movement?**
Run the dryer for 5-10 minutes. Hold your hand under the outside exhaust hood to check air movement. If you do not feel air movement, clean exhaust system of lint or replace exhaust vent with heavy metal or flexible metal vent. See the Installation Instructions.
- **Are fabric softener sheets blocking the grille?**
Use only one fabric softener sheet, and use it only once.

- **Is the exhaust vent the correct length?**
Check that the exhaust vent is not too long or has too many turns. Long venting will increase drying times. See the Installation Instructions.
- **Is the exhaust vent diameter the correct size?**
Use 4" (10.2 cm) diameter vent material.

⚠ WARNING



Explosion Hazard

Keep flammable materials and vapors, such as gasoline, away from dryer.

Place dryer at least 18 inches (46 cm) above the floor for a garage installation.

Failure to do so can result in death, explosion, or fire.

- **Is the dryer located in a room with temperature below 45°F (7°C)?**
Proper operation of dryer cycles requires temperatures above 45°F (7°C).
- **Is the dryer located in a closet?**
Closet doors must have ventilation openings at the top and bottom of the door. Sides and front of dryer require a minimum of 1" (2.5 cm) of airspace, and the rear of the dryer requires 5" (12.7 cm). See the Installation Instructions.
- **Has an air dry cycle been selected?**
Select the right cycle for the types of garments being dried.
- **Is the load too large and heavy to dry quickly?**
Separate the load to tumble freely.

Cycle time too short

⚠ WARNING

Excessive Weight Hazard

Use two or more people to move and install dryer.

Failure to do so can result in back or other injury.

- **Is the automatic cycle ending early?**
The load may not be contacting the sensor strips. Level the dryer.
Change the dryness level setting on Automatic Cycles. Increasing or decreasing the dryness level will change the amount of drying time in a cycle.

Lint on load

- **Is the lint screen clogged?**
Lint screen should be cleaned before each load.

Stains on load or drum

- **Was dryer fabric softener properly used?**
Add dryer fabric softener sheets at the beginning of the cycle. Fabric softener sheets added to a partially dried load can stain your garments.
Drum stains are caused by dyes in clothing (usually blue jeans). This will not transfer to other clothing.

Loads are wrinkled

- **Was the load removed from dryer at the end of the cycle?**
- **Was the dryer overloaded?**
Dry smaller loads that can tumble freely.

Odors

- **Have you recently been painting, staining or varnishing in the area where your dryer is located?**
If so, ventilate the area. When the odors or fumes are gone from the area, rewash and dry the clothing.

ASSISTANCE OR SERVICE

Before calling for assistance or service, please check “Troubleshooting.” It may save you the cost of a service call. If you still need help, follow the instructions below.

When calling, please know the purchase date and the complete model and serial number of your appliance. This information will help us to better respond to your request.

If you need replacement parts

If you need to order replacement parts, we recommend that you use only factory specified parts. Factory specified parts will fit right and work right because they are made with the same precision used to build every new MAYTAG® appliance.

To locate factory specified parts in your area, call the following customer assistance telephone number or your nearest designated service center.

In the U.S.A.

Call the Maytag Services, LLC Customer Assistance toll free: **1-800-688-9900**.

Our consultants provide assistance with:

- Features and specifications on our full line of appliances.
- Installation information.
- Use and maintenance procedures.
- Accessory and repair parts sales.
- Specialized customer assistance (Spanish speaking, hearing impaired, limited vision, etc.).
- Referrals to local dealers, repair parts distributors and service companies. Maytag® appliances designated service technicians are trained to fulfill the product warranty and provide after-warranty service, anywhere in the United States.

To locate the Maytag® appliances designated service company in your area, you can also look in your telephone directory Yellow Pages.

For further assistance

If you need further assistance, you can write to Maytag® appliances with any questions or concerns at:

Maytag Services, LLC
ATTN: CAIR® Center
P.O. Box 2370
Cleveland, TN 37320-2370

Please include a daytime phone number in your correspondence.

In Canada

Call the Whirlpool Canada LP Customer Interaction Centre toll free: **1-800-807-6777**.

Our consultants provide assistance with:

- Features and specifications on our full line of appliances.
- Use and maintenance procedures.
- Accessory and repair parts sales.
- Referrals to local dealers, repair parts distributors, and service companies. Whirlpool Canada LP designated service technicians are trained to fulfill the product warranty and provide after-warranty service, anywhere in Canada.

For further assistance

If you need further assistance, you can write to Whirlpool Canada LP with any questions or concerns at:

Customer Interaction Centre
Whirlpool Canada LP
1901 Minnesota Court
Mississauga, Ontario L5N 3A7

Please include a daytime phone number in your correspondence.

MAYTAG CORPORATION MAJOR APPLIANCE WARRANTY

ONE YEAR LIMITED WARRANTY

For one year from the date of purchase, when this major appliance is operated and maintained according to instructions attached to or furnished with the product, Maytag Corporation or Maytag Limited (hereafter "Maytag") will pay for Factory Specified Parts and repair labor to correct defects in materials or workmanship. Service must be provided by a Maytag designated service company. This limited warranty applies only when the major appliance is used in the country in which it was purchased.

ITEMS MAYTAG WILL NOT PAY FOR

1. Service calls to correct the installation of your major appliance, to instruct you how to use your major appliance, to replace or repair house fuses or to correct house wiring or plumbing.
2. Service calls to repair or replace appliance light bulbs, air filters or water filters. Those consumable parts are excluded from warranty coverage.
3. Repairs when your major appliance is used for other than normal, single-family household use.
4. Damage resulting from accident, alteration, misuse, abuse, fire, flood, acts of God, improper installation, installation not in accordance with electrical or plumbing codes, or use of products not approved by Maytag.
5. Any food loss due to refrigerator or freezer product failures.
6. Replacement parts or repair labor costs for units operated outside the United States or Canada.
7. Pickup and delivery. This major appliance is designed to be repaired in the home.
8. Repairs to parts or systems resulting from unauthorized modifications made to the appliance.
9. Expenses for travel and transportation for product service in remote locations.
10. The removal and reinstallation of your appliance if it is installed in an inaccessible location or is not installed in accordance with published installation instructions.
11. Replacement parts or repair labor costs when the major appliance is used in a country other than the country in which it was purchased.

DISCLAIMER OF IMPLIED WARRANTIES; LIMITATION OF REMEDIES

CUSTOMER'S SOLE AND EXCLUSIVE REMEDY UNDER THIS LIMITED WARRANTY SHALL BE PRODUCT REPAIR AS PROVIDED HEREIN. IMPLIED WARRANTIES, INCLUDING WARRANTIES OF MERCHANTABILITY OR FITNESS FOR A PARTICULAR PURPOSE, ARE LIMITED TO ONE YEAR OR THE SHORTEST PERIOD ALLOWED BY LAW. MAYTAG SHALL NOT BE LIABLE FOR INCIDENTAL OR CONSEQUENTIAL DAMAGES. SOME STATES AND PROVINCES DO NOT ALLOW THE EXCLUSION OR LIMITATION OF INCIDENTAL OR CONSEQUENTIAL DAMAGES, OR LIMITATIONS ON THE DURATION OF IMPLIED WARRANTIES OF MERCHANTABILITY OR FITNESS, SO THESE EXCLUSIONS OR LIMITATIONS MAY NOT APPLY TO YOU. THIS WARRANTY GIVES YOU SPECIFIC LEGAL RIGHTS AND YOU MAY ALSO HAVE OTHER RIGHTS, WHICH VARY FROM STATE TO STATE OR PROVINCE TO PROVINCE.

Outside the 50 United States and Canada, this warranty does not apply. Contact your authorized Maytag dealer to determine if another warranty applies.

If you need service, first see the "Troubleshooting" section of the Use & Care Guide. After checking "Troubleshooting," additional help can be found by checking the "Assistance or Service" section or by calling Maytag. In the U.S.A., call **1-800-688-9900**. In Canada, call **1-800-807-6777**.

9/06

Keep this book and your sales slip together for future reference. You must provide proof of purchase or installation date for in-warranty service.

Write down the following information about your major appliance to better help you obtain assistance or service if you ever need it. You will need to know your complete model number and serial number. You can find this information on the model and serial number label located on the product.

Dealer name _____

Address _____

Phone number _____

Model number _____

Serial number _____

Purchase date _____

SEGURIDAD DE LA SECADORA

Su seguridad y la seguridad de los demás es muy importante.

Hemos incluido muchos mensajes importantes de seguridad en este manual y en su electrodoméstico. Lea y obedezca siempre todos los mensajes de seguridad.



Este es el símbolo de advertencia de seguridad.

Este símbolo le llama la atención sobre peligros potenciales que pueden ocasionar la muerte o una lesión a usted y a los demás.

Todos los mensajes de seguridad irán a continuación del símbolo de advertencia de seguridad y de la palabra "PELIGRO" o "ADVERTENCIA". Estas palabras significan:

 **PELIGRO**

Si no sigue las instrucciones de inmediato, usted puede morir o sufrir una lesión grave.

 **ADVERTENCIA**

Si no sigue las instrucciones, usted puede morir o sufrir una lesión grave.

Todos los mensajes de seguridad le dirán el peligro potencial, le dirán cómo reducir las posibilidades de sufrir una lesión y lo que puede suceder si no se siguen las instrucciones.

ADVERTENCIA: Para su seguridad, la información en este manual debe ser observada para minimizar el riesgo de incendio o explosión, o para prevenir daños a propiedades, heridas o la muerte.

- No almacene o use gasolina u otros líquidos y vapores inflamables cerca de éste u otro aparato electrodoméstico.
- PASOS QUE USTED DEBE SEGUIR SI HUELE A GAS:
 - No trate de encender ningún aparato electrodoméstico.
 - No toque ningún interruptor eléctrico; no use ningún teléfono en su edificio.
 - Desaloje a todos los ocupantes del cuarto, edificio o área.
 - Llame inmediatamente a su proveedor de gas desde el teléfono de un vecino.
Siga las instrucciones de su proveedor de gas.
 - Si usted no puede comunicarse con su proveedor de gas, llame al departamento de bomberos.
- La instalación y el servicio deben ser efectuados por un instalador calificado, una agencia de servicio o por el proveedor de gas.

INSTRUCCIONES IMPORTANTES DE SEGURIDAD

ADVERTENCIA: A fin de reducir el riesgo de incendio, descarga eléctrica o de daño a las personas que usen la secadora, deben seguirse las precauciones básicas, incluidas las siguientes:

- Lea todas las instrucciones antes de usar la secadora.
- No coloque los objetos expuestos a aceite para cocinar en su secadora. Los objetos expuestos a aceites para cocinar pueden contribuir a una reacción química que podría causar que una carga se inflame.
- No seque artículos que ya se hayan limpiado, lavado, remojado o manchado con gasolina, disolventes de limpieza en seco, u otras sustancias inflamables o explosivas ya que despiden vapores que pueden encenderse o causar una explosión.
- No permita que jueguen los niños sobre o dentro de la secadora. Es necesaria la cuidadosa vigilancia de los niños toda vez que se use la secadora cerca de ellos.
- Quite la puerta de la secadora al compartimiento de secado antes de ponerla fuera de funcionamiento o de descartarla.
- No introduzca las manos en la secadora cuando el tambor está en movimiento.
- No instale o almacene esta secadora donde estará expuesta a agua o a la intemperie.
- No trate de forzar los controles.
- No repare o reemplace ninguna pieza de la secadora ni trate de repararla a menos que esto se recomiende específicamente en el Manual del propietario o en instrucciones de reparación publicadas para el usuario que usted comprenda y sólo si cuenta con la experiencia necesaria para llevar a cabo dicha reparación.
- No utilice suavizadores de tejidos o productos para eliminar el estático de prendas a menos que lo recomiende el fabricante del suavizador de tejidos o las instrucciones del producto en uso.
- No utilice calor para secar prendas que contengan espuma de caucho o materiales de caucho con textura similar.
- Limpie el filtro de pelusa antes o después de cada carga de ropa.
- Mantenga el área alrededor de la apertura de ventilación y las áreas adyacentes a esta apertura sin pelusa, polvo o tierra.
- La parte interior de la secadora y el ducto de escape se deben limpiar periódicamente. Esta limpieza la debe llevar a cabo un reparador calificado.
- Vea la instrucciones de instalación para los requisitos de conexión a tierra.

GUARDE ESTAS INSTRUCCIONES

En el estado de Massachusetts se aplican las siguientes instrucciones de instalación:

- Las instalaciones y reparaciones se deben efectuar por un contratista, plomero o gasista calificado o licenciado por el estado de Massachusetts.
- Si se usa una válvula de bola, debe ser un tipo de manigueta T.
- Si se usa un conector de gas flexible no debe exceder de 3 pies.

IMPORTANTE: La instalación de gas debe hacerse de acuerdo con los códigos locales, o si no los hay, con el Código Nacional de Gas Combustible (National Fuel Gas Code), ANSI Z223.1/NFPA 54.

La secadora debe estar conectada a tierra de acuerdo con los códigos locales, o si no los hay, con el Código Nacional de Electricidad (National Electrical Code), ANSI/NFPA 70.

INSTRUCCIONES DE INSTALACIÓN

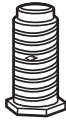
Herramientas y piezas

Reúna las herramientas y piezas necesarias antes de comenzar la instalación. Lea y siga las instrucciones provistas con cualquiera de las herramientas enlistadas aquí.

- Llave para tubos de 8" ó 10"
- Llave de tuercas ajustable de 8" ó 10" (para conexiones de gas)
- Destornillador de hoja plana
- Llave de tuercas ajustable que se abra a 1" (2,5 cm) o una llave de cubo de cabeza hexagonal (para regular las patas de la secadora)
- Llave para tuercas o llave de cubo de 1/4" (se recomienda)
- Nivel
- Cuchillo
- Abrazaderas para ducto
- Pegamento para uniones de tuberías resistente a gas LP
- Pistola y masilla para calafateo (para instalar el nuevo ducto de escape)
- Alicates
- Cinta para medir

Piezas suministradas:

Retire el paquete de piezas del tambor de la secadora. Verifique que estén todas las piezas.



4 patas niveladoras

Piezas para adquirir:

Verifique los códigos locales y con la compañía abastecedora de gas. Verifique el suministro de gas existente, el suministro eléctrico y la ventilación y lea "Requisitos eléctricos", "Requisitos de suministro de gas" y "Requisitos de ventilación" antes de comprar las piezas.

Las instalaciones en casas rodantes requieren piezas especiales (enlistadas a continuación) que pueden pedirse llamando al distribuidor en donde compró la secadora. Para obtener más información, sírvase referirse a la sección "Ayuda o servicio técnico".

- Juego de instalación en casas rodantes. Pida la Pieza Número 346764.
- Herramientas del sistema de escape de metal.

Requisitos de ubicación

⚠ ADVERTENCIA



Peligro de Explosión

Mantenga los materiales y vapores inflamables, como la gasolina, lejos de la secadora.

Coloque la secadora a un mínimo de 46 cm sobre el piso para la instalación en un garaje.

No seguir estas instrucciones puede ocasionar la muerte, explosión o incendio.

Usted necesitará

- Una ubicación que permita una instalación adecuada del ducto de escape. La secadora a gas debe tener una salida de ventilación hacia el exterior. Consulte "Requisitos de ventilación".
- Un contacto con conexión a tierra ubicado a unos 2 pies (61 cm) de cualquiera de los lados de la secadora. Vea "Requisitos eléctricos".
- Un piso resistente para soportar la secadora con un peso total (secadora y carga) de 200 lbs (90,7 kg). También se debe considerar espacio adicional para otro electrodoméstico que le acompañe.
- Un piso nivelado con un declive máximo de 1" (2,5 cm) debajo de la secadora completa. (Si el declive es mayor que 1" [2,5 cm], instale el Juego de extensión de patas de la secadora, Pieza No. 279810.) La ropa quizás no rote adecuadamente y los modelos con ciclos del sensor automático posiblemente no funcionen debidamente si la secadora no está nivelada.

No ponga a funcionar su secadora a temperaturas inferiores a 45°F (7°C). A temperaturas inferiores, es posible que la secadora no se apague al final de un ciclo automático. Los tiempos de secado pueden prolongarse.

No debe instalarse ni guardarse la secadora en un área en donde pueda estar expuesta al agua y/o a la intemperie.

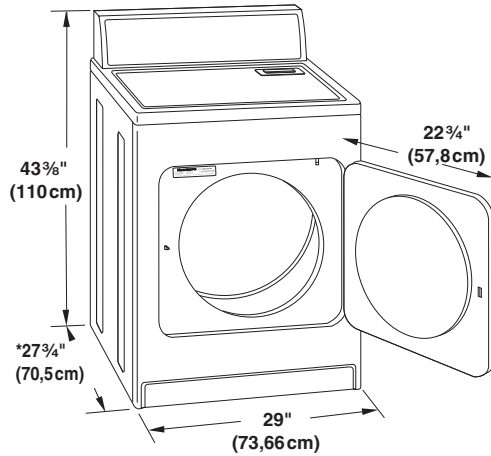
Verifique los requisitos de los códigos. Algunos códigos limitan, o no permiten, la instalación de la secadora en garajes, clósets, casas rodantes o en dormitorios. Póngase en contacto con el inspector de construcciones de su localidad.

NOTA: No se puede instalar otro electrodoméstico que use combustible en el mismo clóset en que se encuentra la secadora.

Espacios para la instalación

La ubicación debe ser lo suficientemente grande para poder abrir completamente la puerta de la secadora.

Dimensiones de la secadora



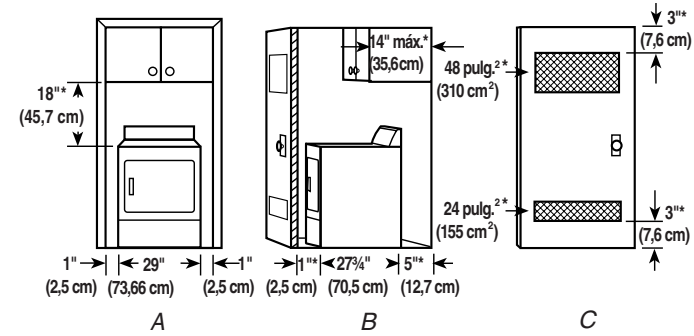
*La mayoría de las instalaciones requieren un espacio mínimo de 5" (12,7 cm) detrás de la secadora para acomodar el ducto de escape con codo. Vea "Requisitos de ventilación".

Espacio para la instalación en un lugar empotrado o en un clóset

Se recomiendan las siguientes medidas de espacio para esta secadora. Esta secadora ha sido puesta a prueba para espacios de 0" (0 cm) en los costados y en la parte posterior. El espacio recomendado debe ser considerado por los siguientes motivos:

- Debe considerarse el espacio adicional para facilitar la instalación y el servicio técnico.
- Se podrían necesitar espacios libres adicionales para las molduras de la pared, puerta y piso.

- Se debe considerar agregar espacio adicional en todos los lados de la secadora para reducir la transferencia de ruido.
- Para la instalación en clóset, con una puerta, se requieren aberturas de ventilación mínimas en la parte superior e inferior de la puerta. Se aceptan puertas tipo persianas con aberturas de ventilación equivalentes.
- También se debe considerar espacio adicional para otro electrodoméstico que le acompañe.



A. Lugar empotrado

B. Vista lateral - clóset o lugar confinado

C. Puerta del clóset con orificios de ventilación

*Espacio necesario

Requisitos de instalación adicionales para las casas rodantes


Esta secadora es apropiada para instalaciones en casas rodantes. La instalación debe ajustarse al Estándar de seguridad y construcción de casas fabricadas, Título 24 CFR, Parte 3280 (anteriormente conocido como Estándar federal para la seguridad y construcción de casas rodantes, Título 24, HUD Parte 280).

Las instalaciones en casas rodantes necesitan:

- Herramientas del sistema de escape de metal, que se encuentran disponibles para ser compradas en su distribuidor.
- Juego para la Instalación en casas rodantes, Pieza número 346764. Vea la sección "Herramientas y piezas" para la información sobre cómo ordenar.
- Se deben tomar medidas especiales en el caso de casas rodantes para introducir el aire del exterior en la secadora. La abertura (como la de una ventana adyacente) deberá ser por lo menos el doble de tamaño que la abertura de ventilación de la secadora.

Requisitos eléctricos

⚠ ADVERTENCIA



Peligro de Choque Eléctrico

Conecte a un contacto de pared de conexión a tierra de 3 terminales.

No quite la terminal de conexión a tierra.

No use un adaptador.

No use un cable eléctrico de extensión.

No seguir estas instrucciones puede ocasionar la muerte, incendio o choque eléctrico.

- Se necesita un suministro eléctrico de 120 voltios, 60 hertzios, CA solamente, de 15 ó 20 amperios y protegido con fusible. Se recomienda el empleo de un fusible retardador o cortacircuitos. Asimismo se recomienda el uso de un circuito independiente que preste servicio únicamente a esta secadora.

INSTRUCCIONES PARA LA CONEXIÓN A TIERRA

- Para la conexión de una secadora mediante cable eléctrico conectado a tierra:

Esta secadora debe estar conectada a tierra. En el caso de funcionamiento defectuoso o avería, la conexión a tierra reducirá el riesgo de choque eléctrico al proporcionar una vía de menor resistencia para la corriente eléctrica. Esta secadora está equipada con un cable que cuenta con un conductor para la conexión a tierra del equipo y un enchufe de conexión a tierra. El enchufe debe conectarse en un contacto apropiado, que esté debidamente instalado y conectado a tierra de acuerdo con todos los códigos y ordenanzas locales.

ADVERTENCIA: La conexión indebida del conductor para la conexión a tierra del equipo puede ocasionar un riesgo de choque eléctrico. Verifique con un electricista, representante o personal de servicio técnico calificado para asegurarse de que la conexión a tierra de la secadora sea apropiada. No modifique el enchufe proporcionado con la secadora. Si no encaja en el contacto, contrate un electricista calificado para que instale un contacto adecuado.

GUARDE ESTAS INSTRUCCIONES

Requisitos del suministro de gas

⚠ ADVERTENCIA



Peligro de Explosión

Use una línea de suministro de gas nueva con aprobación CSA Internaciónál.

Instale una válvula de cierre.

Apriete firmemente todas las conexiones de gas.

Si se conecta a un suministro de gas L.P., la presión no debe exceder una columna de agua de 33 cm (13 pulg) y debe ser verificada por una persona calificada.

Ejemplos de una persona calificada incluyen: personal de servicio del sistema de calefacción con licencia, personal autorizado de la compañía de gas, y personal autorizado para dar servicio.

No seguir estas instrucciones puede ocasionar la muerte, explosión o incendio.

Gas natural:

Esta secadora está equipada para uso con gas natural. Su diseño está certificado por la CSA Internacional para gases LP (de propano o butano) con la conversión apropiada.

- Su secadora debe tener el quemador adecuado para el tipo de gas que tiene en su casa. La información respecto al quemador está ubicada en la placa de clasificación que está en la cavidad de la puerta de su secadora. Si esta información no está de acuerdo con el tipo de gas disponible, póngase en contacto con su distribuidor o llame a los números de teléfono indicados en la portada de este manual.

Conversión de gas LP:

La conversión deberá llevarla a cabo un técnico calificado.

No se deberá hacer intento alguno para convertir el uso del gas especificado en la placa de clasificación del modelo/de la serie de este artefacto por el uso de un gas distinto sin consultar con el abastecedor de gas.

La línea de suministro de gas

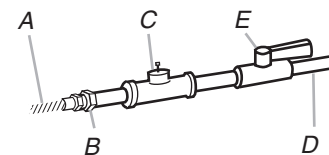
- Debe incluir una derivación tapada NPT de por lo menos $\frac{1}{8}$ " accesible para la conexión del manómetro de prueba, inmediatamente arriba de la conexión de suministro de gas a la secadora. Vea la ilustración.
- Se recomienda un tubo IPS de $\frac{1}{2}$ ".
- Si los códigos locales y el proveedor de gas lo permite, es aceptable una tubería de aluminio o cobre aprobada de $\frac{3}{8}$ " para longitudes menores de 20 pies (6,1 m).
- Si usted está usando gas natural, no use tubería de cobre.
- Las longitudes superiores a los 20 pies (6,1 m) deberán usar tuberías más largas y un accesorio adaptador de tamaño distinto.
- Si su secadora ha sido convertida para usar gas LP, se puede usar tubería de cobre compatible de LP de $\frac{3}{8}$ ". Si la longitud total de la línea de suministro es mayor que 20 pies (6,1 m), use un tubo más largo.

NOTA: Se deben usar pegamentos para uniones de tuberías que resistan la acción del gas LP. No use cinta de TEFLON®.

- Debe incluir una válvula de cierre:

Debe instalarse una válvula de cierre individual manual a una distancia de no más de 6 pies (1,8 m) de la secadora de acuerdo con el Código Nacional de Gas combustible (National Fuel Gas Code), ANSI Z223.1.

La válvula deberá ubicarse en un lugar donde se pueda alcanzar con facilidad para cerrarla y abrirla.



- A. Conector de gas flexible de $\frac{3}{8}$ "
- B. Accesorio adaptador abocinado de $\frac{3}{8}$ "
- C. Derivación tapada NPT por lo menos de $\frac{1}{8}$ "
- D. Línea de suministro de gas NPT de $\frac{1}{2}$ "
- E. Válvula de cierre del gas

Requisitos para la conexión del suministro de gas

- Use un codo y un accesorio adaptador abocinado NPT de $\frac{3}{8}$ " por $\frac{3}{8}$ " entre el conector de gas flexible y el tubo de gas de la secadora, para evitar que se doblen.
- Use solamente compuesto para juntas de tubería. No utilice cinta TEFLON®.
- Esta secadora debe conectarse a la línea de suministro de gas con un conector de gas flexible que cumpla con las normas para conectores de electrodomésticos a gas, ANSI Z21.24.

†®TEFLON es una marca registrada de E.I. Du Pont De Nemours and Company.

Requisitos de entrada del quemador

Elevaciones superiores a 10.000 pies (3.048 m):

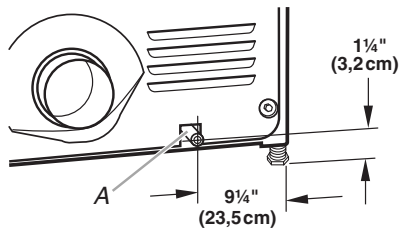
- Si se instala la secadora a un nivel superior a los 10.000 pies (3.048 m) de altitud, se requiere una reducción de categoría de Btu del 4% del quemador, que se muestra en la placa del número de modelo/serie, por cada incremento de 1.000 pies (305 m) de altitud.

Prueba de presión del suministro de gas

- Durante pruebas de presión a presiones mayores de $\frac{1}{2}$ lb/pulg², la secadora debe ser desconectada del sistema de tubería del suministro de gas.

El tubo de gas de la secadora

- El tubo de gas que sale por la parte posterior de su secadora tiene una rosca macho para tubería de $\frac{3}{8}$ ".



A. Tubo NPT de $\frac{3}{8}$ " de la secadora

El ducto de escape de la secadora no debe conectarse en ningún ducto de escape de gas, chimenea, pared, techo o el espacio oculto de un edificio.

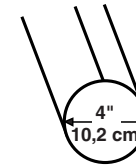
Si usa un sistema de ventilación existente

- Limpie la pelusa que está en toda la longitud del sistema y asegúrese de que la capota de ventilación no esté obstruida con pelusa.
- Reemplace cualquier ducto de escape de plástico o de hoja de metal por uno de metal pesado rígido o flexible.
- Vuelva a consultar el cuadro del sistema de ventilación. Modifique el sistema de ventilación existente si fuera necesario para lograr el mejor rendimiento de la secadora.

Si éste es un nuevo sistema de ventilación

Material de ventilación

- Use un ducto de escape de metal pesado. No use ducto de escape de plástico o de hoja de metal.
- Se debe usar un ducto de escape de metal pesado de 4" (10,2 cm) y abrazaderas.



Ducto de escape de metal pesado de 4" (10,2 cm)

Requisitos de ventilación

⚠ ADVERTENCIA



Peligro de Incendio

Use un ducto de escape de metal pesado.

No use un ducto de escape de plástico.

No use un ducto de escape de aluminio.

No seguir estas instrucciones puede ocasionar la muerte o incendio.

ADVERTENCIA: Para reducir el riesgo de incendio, esta secadora DEBE VENTILARSE HACIA EL EXTERIOR.

IMPORTANTE: Observe todas las normas y ordenanzas vigentes.

Los productos de ventilación pueden adquirirse con su distribuidor o llamando a Maytag Services. Para más información, vea la sección "Ayuda o servicio técnico".

Ducto de escape de metal rígido

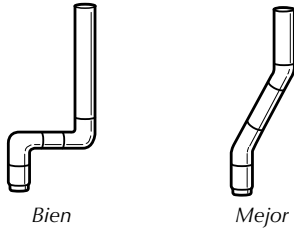
- Para un óptimo rendimiento de secado, se recomiendan ductos de escape de metal rígido.
- Se recomienda el ducto de escape de metal rígido para evitar que se aplaste o se tuerza.

Ducto de escape de metal flexible

- Los ductos de escape de metal flexible son aceptables únicamente si se puede acceder a los mismos para limpiarlos.
- El ducto de escape de metal flexible debe extenderse y sostenerse por completo cuando la secadora está en su ubicación final.
- Quite el exceso del ducto de metal flexible para evitar que se doble y se tuerza, lo cual podría dar lugar a una reducción del flujo de aire y a un rendimiento insuficiente.
- No instale el ducto de escape de metal flexible en paredes, techos o pisos encerrados.

Codos

Los codos de 45° proveen un mejor flujo de aire que los codos de 90°.



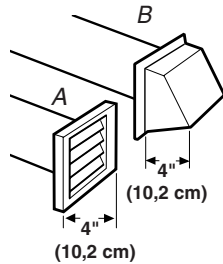
Abrazaderas

- Utilice abrazaderas para sellar todas las juntas.
- No debe conectarse ni asegurarse el ducto de escape con tornillos ni con ningún otro dispositivo de sujeción que se extienda hacia el interior de dicho ducto. No utilice cinta adhesiva para conductos.



Ventilación

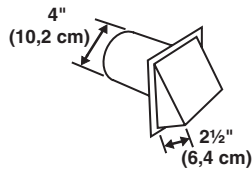
Los estilos recomendados de capotas de ventilación se ilustran aquí.



A. Estilo de capota con ventilación tipo persiana

B. Estilo de capota con ventilación tipo caja

El estilo de capota de ventilación angular (que se ilustra aquí) es aceptable.



- Una capota de ventilación debe tapar el ducto de escape para evitar el ingreso de roedores e insectos a la casa.
- La capota de ventilación debe estar por lo menos a 12" (30,5 cm) de distancia del piso o de cualquier objeto que pudiese estar en el trayecto del ducto de escape (como flores, rocas o arbustos, límite de nieve, etc.).
- No use capotas de ventilación con pestillos magnéticos.

La ventilación inadecuada puede ocasionar la acumulación de humedad y pelusa en la casa, lo cual puede dar como resultado:

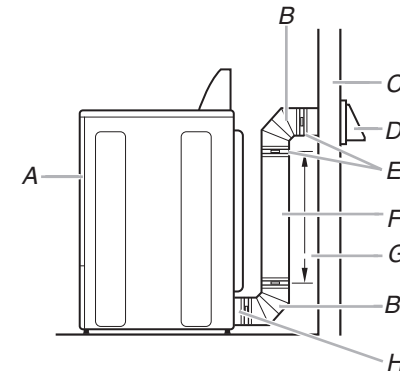
- Daños de humedad en la carpintería, muebles, pintura, empapelado, alfombras, etc.
- Problemas en la limpieza de la casa y de salud.

Planificación del sistema de ventilación

Seleccione su tipo de instalación de ventilación

Instalaciones recomendadas de escape

Las instalaciones típicas tienen la ventilación en la parte posterior de la secadora. Otras instalaciones son posibles.



A. Secadora

B. Codo

C. Pared

D. Capota de ventilación

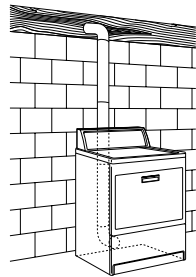
E. Abrazaderas

F. Ducto de metal rígido o de metal flexible

G. Longitud necesaria del ducto de escape para conectar los codos

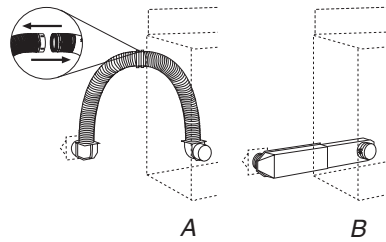
H. Salida de ventilación

Instalación de ventilación estándar con ducto de escape de metal rígido o flexible



Instalaciones alternas para espacios limitados

Los sistemas de ventilación vienen en una amplia gama. Seleccione el tipo más apropiado para su instalación. A continuación se ilustran dos tipos de instalación para espacios limitados. Consulte las instrucciones del fabricante.



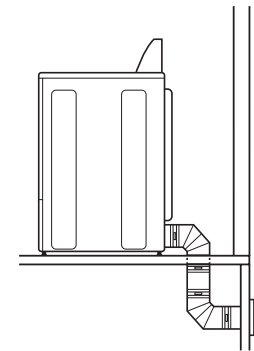
A. Instalación en la parte superior (también está disponible con un codo de desviación)
B. Instalación de periscopio

NOTA: Se pueden adquirir los siguientes juegos para instalaciones alternas en espacios limitados. Para pedir las piezas, sírvase referirse a la sección "Ayuda o servicio técnico".

- Instalación en la parte superior:
Pieza número 4396028
- Instalación de periscopio (Para usar si hay desacople entre el ducto de escape de la pared y el conducto de ventilación de la secadora):
Pieza número 4396037 - Desacople de 0" (0 cm) a 18" (45,72 cm).
Pieza número 4396011 - Desacople de 18" (45,72 cm) a 29" (73,66 cm).
Pieza número 4396014 - Desacople de 29" (73,66 cm) a 50" (127 cm).

Previsiones especiales para las instalaciones en casas rodantes

El ducto de escape deberá sujetarse firmemente en un lugar no inflamable de la estructura de la casa rodante y no debe terminar debajo de la casa rodante. El ducto de escape debe terminar en el exterior.



Determinación de la vía del ducto de escape

- Seleccione la vía que proporcione el trayecto más recto y directo al exterior.
- Planifique la instalación a fin de usar el menor número posible de codos y vueltas.
- Cuando use los codos o haga vueltas, deje todo el espacio que sea posible.
- Doble el ducto gradualmente para evitar torceduras.
- Use la menor cantidad posible de vueltas de 90°.

Determinación de la longitud del ducto de escape y de los codos necesarios para obtener un óptimo rendimiento de secado

- Use el cuadro del sistema de ventilación a continuación para determinar el tipo de material para ducto y la combinación de capota aceptable a usar.
NOTA: No use tendidos de ducto de escape más largos que los especificados en el cuadro del sistema de ventilación. Los sistemas de ventilación más largos que los especificados:
 - Acortarán la vida de la secadora.
 - Reducirán el rendimiento, dando lugar a tiempos de secado más largos y un aumento en el consumo de energía.

El cuadro del sistema de ventilación indica los requisitos de ventilación que le ayudarán a alcanzar el mejor rendimiento de secado.

Cuadro del sistema de ventilación

Cuando use sólo un tipo de ducto de metal:

Use el siguiente cuadro para ayudarle a determinar la longitud máxima de su ducto, de acuerdo con el número de vueltas o codos de 90° que necesitará y con el tipo de ducto (metal rígido o metal flexible) que va a usar.

Cuadro del sistema de ventilación

Número de vueltas o codos de 90°	Ducto de metal rígido	Ducto de metal flexible
0	120 pies (36,6 m)	40 pies (12,2 m)
1	110 pies (33,5 m)	37 pies (11,3 m)
2	100 pies (30,5 m)	33 pies (10,1 m)
3	90 pies (27,4 m)	30 pies (9,1 m)
4	80 pies (24,4 m)	27 pies (8,2 m)
5	70 pies (21,3 m)	23 pies (7,0 m)

Cuando use una combinación de ducto de metal rígido y flexible:

Use los cuadros siguientes para ayudarle a determinar la longitud máxima de ductos basada en el número de codos de 90° que necesitará.

- Determine el número de codos y vueltas que necesitará.
- Determine la longitud del ducto de metal flexible completamente extendido que va a usar. Busque la columna que tenga el número de pies más cercano al que va a usar.
- Iguale el número de vueltas o codos con la longitud del ducto de metal flexible completamente extendido que va a usar para encontrar la longitud máxima del ducto de metal rígido que puede usar.

Cuadro del sistema de ventilación de 0 pies (0 m) a 10 pies (3,0 m)

Número de vueltas o codos	Longitud del ducto de metal flexible			Longitud del ducto de metal rígido
	0 pies (0 m)	1-5 pies (0,3-1,5 m)	6-10 pies (1,8-3,0 m)	
0	120 pies (36,6 m)	105 pies (32,0 m)	90 pies (27,4 m)	
1	110 pies (33,5 m)	95 pies (29,0 m)	80 pies (24,4 m)	
2	100 pies (30,5 m)	85 pies (25,9 m)	70 pies (21,3 m)	
3	90 pies (27,4 m)	75 pies (22,9 m)	60 pies (18,3 m)	
4	80 pies (24,4 m)	65 pies (19,8 m)	50 pies (15,2 m)	
5	70 pies (21,3 m)	55 pies (16,8 m)	40 pies (12,2 m)	

Cuadro del sistema de ventilación de 11 pies (3,4 m) a 25 pies (7,6 m)

Número de vueltas o codos	Longitud del ducto de metal flexible			Longitud del ducto de metal rígido
	11-15 pies (3,4-4,6 m)	16-20 pies (4,9-6,1 m)	21-25 pies (6,4-7,6 m)	
0	75 pies (22,9 m)	60 pies (18,3 m)	45 pies (13,7 m)	
1	65 pies (19,8 m)	50 pies (15,2 m)	35 pies (10,7 m)	
2	55 pies (16,8 m)	40 pies (12,2 m)	25 pies (7,6 m)	
3	45 pies (13,7 m)	30 pies (9,1 m)	15 pies (4,6 m)	
4	35 pies (10,7 m)	20 pies (6,1 m)	5 pies (1,5 m)	
5	25 pies (7,6 m)	10 pies (3,0 m)	0 pies (0 m)	

Instalación del sistema de ventilación

1. Instale la capota de ventilación. Emplee una masilla de calafateo para sellar la abertura de la pared externa alrededor de la capota de ventilación.
2. Conecte el ducto de escape a la capota de ventilación. El ducto de escape debe encajar dentro de la capota de ventilación. Asegure el ducto de escape a la capota de ventilación con una abrazadera de 4" (10,2 cm).
3. Extienda el ducto de escape a la ubicación de la secadora. Use la trayectoria más recta posible. Vea "Determinación de la vía del ducto de escape" en "Planificación del sistema de ventilación". Evite giros de 90°. Use abrazaderas para sellar todas las juntas. No use cinta adhesiva para conductos, tornillos ni otros dispositivos de fijación que se extiendan dentro del ducto de escape, para fijar el mismo.

Instalación de las patas niveladoras

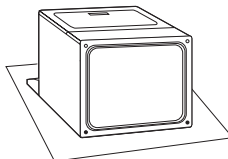
⚠ ADVERTENCIA

Peligro de Peso Excesivo

Use dos o más personas para mover e instalar la secadora.

No seguir esta instrucción puede ocasionar una lesión en la espalda u otro tipo de lesiones.

1. Para proteger el piso, use un pedazo grande y plano del cartón de la secadora. Coloque el cartón debajo de todo el borde posterior de la secadora.
2. Sujete con firmeza el cuerpo de la secadora (no la parte superior o el panel de la consola). Coloque la secadora cuidadosamente sobre el cartón. Vea la ilustración.



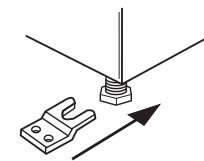
3. Examine las patas niveladoras. Localice la marca en forma de diamante.



4. Atornille con la mano las patas en los orificios de las patas. Use una llave de tuercas para terminar de atornillar las patas hasta que la marca en forma de diamante no quede visible.
5. Coloque un poste esquineral de cartón debajo de cada uno de los 2 esquinales posteriores de la secadora. Ponga la secadora de pie. Deslice la secadora sobre los postes esquinerales hasta que quede cerca de su ubicación final. Deje suficiente espacio para conectar el ducto de escape o la línea de gas.

Para uso en casas rodantes

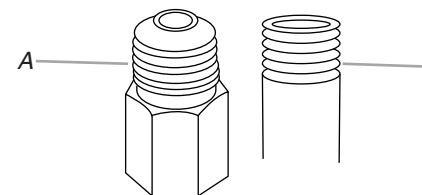
Las secadoras a gas deben ser aseguradas al piso con firmeza.



La instalación en casas rodantes requiere el Juego de Instalación para casas rodantes. Vea la sección "Herramientas y piezas" para información sobre cómo ordenar.

Conexión del suministro de gas

1. Quite la tapa roja del tubo de gas.
2. Utilizando una llave de tuercas, conecte el suministro de gas a la secadora. Use sellador compuesto para las roscas de todos los accesorios macho no abocinados. Si se usa tubería flexible de metal, asegúrese que no hay partes retorcidas.

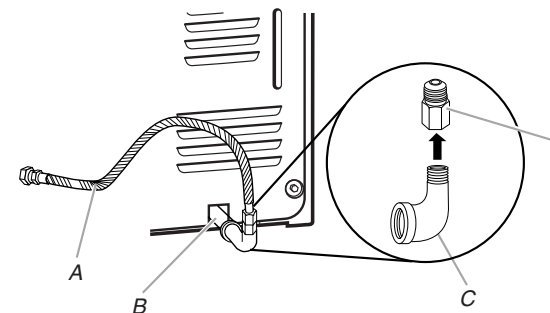


A. Rosca macho abocinada

B. Rosca macho no abocinada

NOTA: Para las conexiones de gas LP, debe usar un pegamento de unión de tubos resistente a la acción del gas LP. No use cinta TEFLON^{®†}.

Se debe usar una combinación de accesorios para tuberías para conectar la secadora a la línea de suministro de gas existente. A continuación se ilustra una conexión recomendada. Su conexión puede ser distinta, de acuerdo con el tipo de línea de suministro, tamaño y ubicación.



A. Conector flexible de gas de 3/8"

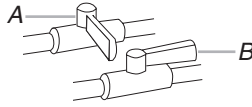
B. Tubo de la secadora de 3/8"

C. Codo de tubería de 3/8" a 3/8"

D. Accesorio adaptador abocinado para tubo de 3/8"

†TEFLON es una marca registrada de E.I. Du Pont De Nemours and Company.

- Abra la válvula de cierre de la línea de suministro. La válvula está abierta cuando la manija está paralela al tubo de gas.



A. Válvula cerrada
B. Válvula abierta

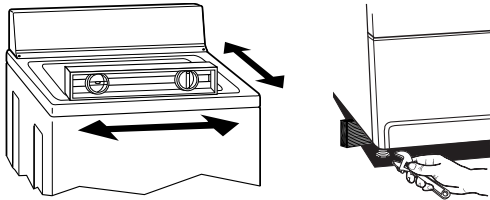
- Pruebe todas las conexiones aplicando con un cepillo una solución aprobada para detección de fugas que no sea corrosiva. Se observarán burbujas si hay fuga. Tape cualquier fuga que encuentre.

Conexión del ducto de escape

- Usando una abrazadera de 4" (10,2 cm), conecte el ducto de escape a la salida de aire de la secadora. Si se conecta a un ducto de escape existente, asegúrese de que el mismo esté limpio. El ducto de escape de la secadora debe encajar sobre la salida de aire de la secadora y dentro de la capota de ventilación. Cerciórese de que el ducto de escape esté asegurado a la capota de ventilación con una abrazadera de 4" (10,2 cm).
- Mueva la secadora a su posición final. No aplaste ni retuerza el ducto de escape.
- (En modelos a gas) Asegúrese de que no hayan torceduras en la línea de gas flexible.
- Una vez que la conexión del ducto de escape esté lista, quite los esquinales y el cartón.

Nivelación de la secadora

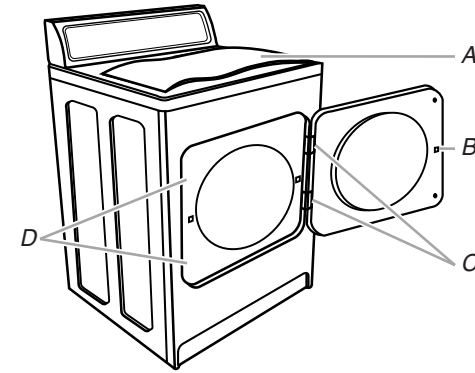
Revise la nivelación de la secadora. Verifique primero de lado a lado y luego del frente hacia atrás.



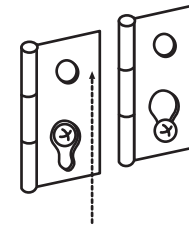
Si la secadora no está nivelada, apunte la secadora, usando un bloque de madera. Use una llave de tuerca para regular las patas hacia arriba o hacia abajo y verifique nuevamente si la secadora está nivelada.

Cómo invertir el cierre de la puerta (opcional)

Si lo desea, puede cambiar la dirección del cierre de la puerta del lado derecho al lado izquierdo.



- Coloque una toalla (A) encima de la secadora para proteger la superficie.
- Abra la puerta de la secadora. Extraiga los tornillos inferiores de las bisagras del lado del gabinete (C). Afloje (no extraiga) los tornillos superiores de las bisagras del lado del gabinete.
- Levante la puerta hasta que los tornillos superiores del gabinete estén en la parte grande de la ranura de la bisagra. Tire de la puerta hacia adelante para separarla de los tornillos. Coloque la puerta (con el lado de la manija hacia arriba) encima de la secadora. Extraiga los tornillos superiores del gabinete.
- Extraiga los tornillos que unen a las bisagras con la puerta.
- Use un destornillador pequeño de hoja plana para quitar cuidadosamente los 4 tapones para los orificios de la bisagra (D) que se encuentran al lado izquierdo del gabinete. Introduzca los tapones en los orificios de la bisagra en el lado derecho del gabinete.
- Introduzca los tornillos en los orificios inferiores en el lado izquierdo del gabinete. Atorníllelos por la mitad. Coloque la puerta de tal forma que el extremo grande de la ranura de la bisagra esté sobre los tornillos. Deslice la puerta hacia arriba para que los tornillos estén en la parte de abajo de las ranuras. Apriete los tornillos. Introduzca y apriete los tornillos superiores en las bisagras.




- Cierre la puerta y asegúrese de que el tope de la misma esté alineado con el gancho de la puerta (B). Si es necesario, deslice el gancho de la puerta hacia la izquierda o derecha dentro de la ranura a fin de ajustar la alineación.

Complete la instalación

1. Revise para cerciorarse de que todas las piezas estén instaladas. Si hay alguna pieza extra, vuelva a revisar todos los pasos para ver cuál se omitió.
2. Verifique si tiene todas las herramientas.
3. Revise la ubicación final de la secadora. Asegúrese de que el ducto de escape no esté aplastado o retorcido.
4. Verifique si la secadora está nivelada. Vea “Nivelación de la secadora”.

⚠ ADVERTENCIA



Peligro de Choque Eléctrico

Conecte a un contacto de pared de conexión a tierra de 3 terminales.

No quite la terminal de conexión a tierra.

No use un adaptador.

No use un cable eléctrico de extensión.

No seguir estas instrucciones puede ocasionar la muerte, incendio o choque eléctrico.

5. Conecte a un contacto de pared de conexión a tierra de 3 terminales. Conecte el suministro de energía.

6. Quite cualquier película protectora que está en la consola y cualquier cinta adhesiva que haya quedado en la secadora.
7. Deshágase de todos los materiales de embalaje o recíclelos.
8. Lea “Uso de la secadora”.
9. Limpie el interior del tambor de la secadora meticulosamente con un paño húmedo para quitar residuos de polvo.
10. Seleccione un ciclo de secado programado (Timed Dry) con calor y ponga la secadora en marcha. No seleccione el ajuste de temperatura de sólo aire (Air Only).

Si la secadora no funciona, revise lo siguiente:

- Que la secadora esté conectada en un contacto de 3 terminales con conexión a tierra.
 - Que el suministro eléctrico esté conectado.
 - Que el fusible de la casa esté intacto y ajustado, o que no se haya disparado el cortacircuitos.
 - Que la puerta de la secadora esté cerrada.
11. Después de que la secadora haya estado funcionando durante 5 minutos, abra la puerta y fíjese si está caliente. Si siente calor, cancele el ciclo y cierre la puerta. Si no siente calor, apague la secadora y verifique que esté abierta la válvula de cierre de la línea de suministro de gas.
 - Si está cerrada la válvula de cierre de la línea de suministro de gas, ábrala y repita la prueba de 5 minutos como se indicó anteriormente.
 - Si está abierta la válvula de cierre de la línea de suministro de gas, contacte a un técnico calificado.

USO DE LA SECADORA

Puesta en marcha de su secadora

⚠ ADVERTENCIA



Peligro de Explosión

Mantenga los materiales y vapores inflamables, tales como la gasolina, alejados de la secadora.

No seque ningún artículo que haya tenido alguna vez cualquier sustancia inflamable (aún después de lavarlo).

No seguir estas instrucciones puede ocasionar la muerte, explosión o incendio.

⚠ ADVERTENCIA



Peligro de Incendio

Ninguna lavadora puede eliminar completamente el aceite.

No seque ningún artículo que haya tenido alguna vez cualquier tipo de aceite (incluyendo los aceites de cocina).

Los artículos que contengan espuma, hule o plástico deben secarse en un tendedero o usando un Ciclo de Aire.

No seguir estas instrucciones puede ocasionar la muerte o incendio.

Este libro cubre varios modelos diferentes. Puede ser que su secadora no cuente con todos los ciclos y características descritos.

Antes de usar la secadora, limpie el tambor de la misma con un paño húmedo para quitar el polvo que se acumuló durante el almacenaje y envío.

1. Limpie el filtro de pelusa antes de cada carga. Vea “Limpieza del filtro de pelusa”.
2. Coloque la ropa en la secadora de modo suelto y cierre la puerta. No llene en exceso la secadora. Deje suficiente espacio para que la ropa rote con libertad.
3. Gire la perilla de Control de ciclos al ciclo recomendado para el tipo de carga que se va a secar. Use el ajuste Ahorro de energía (Energy Preferred) (*) para secar la mayoría de las telas pesadas y de peso mediano.
4. Si su secadora tiene un selector de Temperatura, fíjelo en el ajuste recomendado para el tipo de tela que se va a secar. Vea “Descripción de los ciclos de la secadora” (hoja aparte) para sugerencias de temperatura. En algunos modelos, la temperatura se incluye en la selección de ciclos.

5. (OPCIONAL) Su secadora puede tener un selector para la característica Protector antiarrugas (WRINKLE PREVENT). Si no es posible retirar la carga de la secadora tan pronto como ésta se detenga, se pueden formar arrugas. Esta característica periódicamente da vueltas, acomoda y esponja la ropa sin calor para ayudar a alisar las arrugas.
6. (OPCIONAL) Su secadora puede tener una Señal de fin de ciclo (END OF CYCLE SIGNAL). Esta señal es útil cuando se sequen artículos que deben sacarse de la secadora tan pronto como se detenga.
 - En algunos modelos se puede ajustar el volumen de la señal de fin de ciclo. Gire el selector al volumen deseado.
 - En otros modelos, la señal de fin de ciclo forma parte del botón Inicio (Start) y se puede seleccionar. Gire el botón START a Puesta en marcha (ON) o Apagado (OFF). La señal sonará sólo cuando el selector se fije en ON.
7. Seleccione la Opción deseada. Vea “Descripción de los ciclos de la secadora” (hoja aparte).
8. Si desea, agregue una hoja de suavizante de telas. Siga las instrucciones del paquete.
9. Oprima el botón de START.

Cómo funciona el secado automático

Cuando usa el Ciclo de detección automática de la humedad, el secado de la carga es determinado por dos bandas metálicas (sensores) ubicadas en el interior de la secadora. Las bandas metálicas ayudan a “sentir” la cantidad de humedad que queda en las prendas cuando éstas rotan. Cuando queda humedad en las prendas, la perilla de control de ciclos no avanzará. A medida que las prendas comienzan a secarse, la cantidad de agua restante en las prendas disminuye y el temporizador avanza en lo que queda del ciclo. Cuando se haya alcanzado el nivel de sequedad seleccionado, la secadora entrará en un período de enfriamiento de hasta 10 minutos.

Para detener y volver a poner en marcha

Usted puede detener su secadora en cualquier momento durante un ciclo.

Para detener su secadora

Abra la puerta de la secadora o gire la perilla de Control de ciclos a OFF.

NOTA: La perilla de Control de ciclos debe apuntar hacia el área de Apagado cuando la secadora no está en uso.

Para volver a poner en marcha su secadora

1. Cierre la puerta.
2. Seleccione un nuevo ciclo y temperatura (si lo desea).
3. Oprima START.

Opción de estante de secado

Use el estante de secado para secar artículos tales como suéteres y almohadas sin rotación. El tambor gira, pero el estante no se mueve.

Si su modelo no tiene un estante de secado, usted puede comprar uno para su modelo. Refiérase a la portada del manual o póngase en contacto con el distribuidor donde compró su secadora para saber si puede usar un estante de secado con su modelo, y para recibir información sobre cómo ordenarlo.

NOTA: Usted deberá quitar el estante para un secado normal con rotación. No use ciclos automáticos con el estante de secado.

Para usar el estante de secado

1. Coloque el estante de secado en la secadora.

Estilo 1: Su estante de secado tiene patas frontales. Deslice las espigas traseras dentro de las hendiduras que están en la pared posterior de la secadora. Baje las patas frontales para que descansen en la abertura de la secadora.

Estilo 2: Su estante de secado no tiene patas frontales. No quite el filtro de pelusa. Deslice el estante de secado encima de la parte inferior de la abertura de la puerta de la secadora. Empuje hacia abajo para asegurar el estante en el marco.

2. Ponga los artículos mojados sobre el estante de secado, dejando espacio entre ellos. No permita que los artículos cuelguen del borde del estante de secado. Cierre la puerta.
3. Seleccione el ciclo programado de tiempo y de temperatura, o un ciclo de aire. Los artículos que contengan espuma, hule o plástico deben secarse en un tendedero o usando un ciclo de aire. Consulte el cuadro a continuación.
4. Ponga la secadora en marcha. Si lo necesita, vuelva a fijar el ciclo para completar el secado.


Secado con estante	Ciclo	Temp.	Tiempo
Artículos lavables de lana (déles forma y extiéndalos en sentido plano en el estante)	Secado programado	Baja	60 min.
Juguetes de peluche/ almohadas (con relleno de algodón o fibra de poliéster)	Secado programado	Baja	60 min.
Juguetes de peluche/almohadas Rellenos con hule espuma	Aire (sin calor)	N/A	90 min.

CUIDADO DE LA SECADORA

Limpeza del lugar donde está la secadora

Mantenga el área donde está la secadora despejada y libre de artículos que pudieran obstruir el flujo de aire para la combustión y la ventilación.

⚠ ADVERTENCIA



Peligro de Explosión

Mantenga los materiales y vapores inflamables, como la gasolina, lejos de la secadora.

Coloque la secadora a un mínimo de 46 cm sobre el piso para la instalación en un garaje.

No seguir estas instrucciones puede ocasionar la muerte, explosión o incendio.

Limpeza del filtro de pelusa

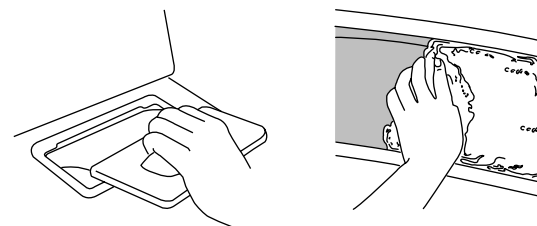
Limpe el filtro de pelusa antes de cada carga. Un filtro obstruido con pelusa puede aumentar el tiempo de secado.

IMPORTANTE:

- No ponga a funcionar la secadora con el filtro de pelusa flojo, dañado, obstruido o sin él. El hacerlo puede causar un sobrecalentamiento y dañar tanto la secadora como las prendas.
- Si al quitar la pelusa del filtro ésta cae dentro de la secadora, revise la capota de ventilación y quite la pelusa.

Limpeza de cada carga

1. El filtro de pelusa está ubicado en la parte superior de la secadora. Jale el filtro de pelusa hacia usted. Quite la pelusa enrollándola con los dedos. No enjuague o lave el filtro para quitar la pelusa. La pelusa mojada es difícil de sacar.



2. Empuje el filtro firmemente hasta que quede en su lugar.

Limpeza periódica

1. Quite la pelusa del filtro enrollándola con sus dedos.
2. Moje ambos lados del filtro de pelusa con agua caliente.
3. Moje un cepillo de nylon con agua caliente y detergente líquido. Talle el filtro de pelusa con el cepillo para quitar la acumulación de residuos.
4. Enjuague el filtro con agua caliente.
5. Seque minuciosamente el filtro de pelusa con una toalla limpia. Vuelva a colocar el filtro en la secadora.

Limpeza del interior de la secadora

1. Aplique un limpiador líquido doméstico no inflamable al área manchada del tambor y frote con un paño suave hasta que desaparezca la mancha.
2. Limpie el tambor minuciosamente con un paño húmedo.
3. Seque una carga de ropa limpia o toallas para secar el tambor.

NOTA: Las prendas de colores que destiñen tales como mezclillas o artículos de algodón de colores vivos, pueden teñir el interior de la secadora. Estas manchas no dañan su secadora ni mancharán las cargas futuras de ropa. Seque los artículos de colores que destiñen al revés para evitar la transferencia del tinte.

Eliminación de pelusa acumulada

En el interior del gabinete de la secadora

Según el uso de la secadora, se debe quitar la pelusa cada 2 años, o con más frecuencia. La limpieza deberá efectuarla una persona calificada.

En el ducto de escape

La pelusa debe ser quitada cada 2 años, o con más frecuencia, de acuerdo con el uso de la secadora.

Cuidado para las vacaciones y la mudanza

Cuidado para las vacaciones

Ponga la secadora a funcionar sólo cuando esté en casa. Si va a salir de vacaciones o no va a usar su secadora por un tiempo prolongado, usted deberá:

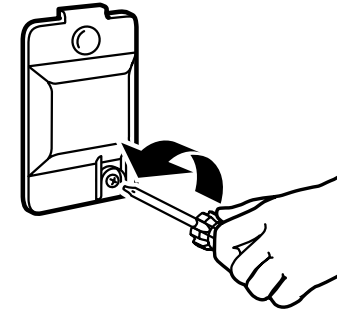
1. Desenchufar la secadora o desconectar el suministro de energía.
2. Cierre la válvula de cierre en la línea de suministro de gas.
3. Limpiar el filtro de pelusa. Vea "Limpeza del filtro de pelusa".

Cuidado para la mudanza

1. Desenchufe el cable de suministro de energía.
 2. Cierre la válvula de cierre en la línea de suministro de gas.
 3. Desconecte el tubo de la línea de suministro de gas y quite los accesorios adheridos al tubo de la secadora.
 4. Ponga una tapa en la línea abierta del suministro de combustible.
 5. Asegúrese de que las patas niveladoras estén fijas en la base de la secadora.
 6. Use cinta adhesiva para asegurar la puerta de la secadora.
-

Cambio de la luz del tambor

1. Desenchufe la secadora o desconecte el suministro de energía.
2. Abra la puerta de la secadora. Localice la cubierta del foco de luz en la pared posterior de la secadora. Quite el tornillo ubicado en la esquina inferior derecha de la cubierta. Quite la cubierta.



3. Gire el foco en sentido contrario a las manecillas del reloj. Reemplácelo únicamente con un foco para electrodomésticos de 10 W. Vuelva a colocar la cubierta y asegúrela con el tornillo.
4. Enchufe la secadora o reconecte el suministro de energía.

SOLUCIÓN DE PROBLEMAS

Pruebe primero las soluciones aquí sugeridas y posiblemente se evite el costo de una visita de servicio técnico...

Funcionamiento de la secadora

La secadora no funciona

- **¿Hay un fusible de la casa fundido o se disparó el cortacircuitos?**
Reemplace el fusible o reposicione el cortacircuitos. Si el problema continúa, llame a un electricista.
- **¿Se usó un fusible regular?** Use un fusible retardador.
- **¿Está cerrada con firmeza la puerta de la secadora?**
- **¿Se oprimió con firmeza el botón de Inicio (Start)?**
- **¿Se ha seleccionado un ciclo?**
La secadora no se pondrá en marcha en la posición de Prevención de arrugas (Wrinkle Prevent). Mueva el cuadrante pasando Apagado (OFF).

Sin calor

- **¿Hay un fusible de la casa fundido o se disparó el cortacircuitos?**
El tambor quizás rote pero sin calor. Reemplace el fusible o reposicione el cortacircuitos. Si el problema continúa, llame a un electricista.
- **¿Está la válvula abierta en la vía de abastecimiento?**

Sonidos raros

- **¿Ha estado la secadora sin uso por una temporada?**
Si no se ha usado la secadora por una temporada, es posible que se escuche un sonido fuerte durante los primeros minutos de funcionamiento.
- **¿Hay una moneda, botón o sujetapapeles entre el tambor y la parte frontal o trasera de la secadora?** Revise los bordes frontales y traseros del tambor para verificar si hay objetos pequeños. Limpie los bolsillos antes del lavado.
- **¿Es una secadora a gas?**
El chasquido de la válvula de gas es un sonido de funcionamiento normal.
- **¿Están las cuatro patas instaladas y está la secadora nivelada de frente hacia atrás y de lado a lado?**
La secadora puede vibrar si no está instalada adecuadamente. Vea las Instrucciones de instalación.

- **¿Las prendas están enredadas o hechas un ovillo?**
Si la carga está hecha un ovillo, rebotará haciendo vibrar a la secadora. Separe los artículos de la carga y reinicie la secadora.

El temporizador no avanza

- **¿Se ha ajustado la secadora en secado programado o al aire (Timed o Air Dry)?**
El temporizador se mueve lenta y continuamente durante el ajuste de tiempo.
- **¿Se ha ajustado la secadora a Secado automático (Automatic Drying)?**
El temporizador solamente se mueve cuando las prendas están casi secas. Vea "Cómo funciona el secado automático" en "Uso de la secadora".

Resultados de la secadora

Las prendas no se secan satisfactoriamente, los tiempos de secado son demasiado largos, o la carga está demasiado caliente

- **¿Está el filtro de pelusa obstruido con pelusa?**
El filtro de pelusa debe ser limpiado antes de cada carga.

⚠ ADVERTENCIA



Peligro de Incendio

Use un ducto de escape de metal pesado.

No use un ducto de escape de plástico.


No use un ducto de escape de aluminio.

No seguir estas instrucciones puede ocasionar la muerte o incendio.

- **¿Está obstruido con pelusa el ducto de escape o la capota de ventilación exterior, restringiendo el flujo del aire?** Ponga a funcionar la secadora unos 5 a 10 minutos. Ponga su mano debajo de la capota de ventilación exterior, para verificar el movimiento del aire. Si no lo siente, limpie la pelusa del sistema de ventilación o reemplace el ducto de escape con uno de metal pesado o de metal flexible. Vea las Instrucciones de instalación.

- **¿Están las hojas del suavizante de telas bloqueando la rejilla?**
Use únicamente una hoja del suavizante de telas y úsela una sola vez.
- **¿Tiene el ducto de escape el largo correcto?**
Revise el ducto de escape para verificar que no sea demasiado largo o no dé demasiadas vueltas. Una ventilación larga aumentará el tiempo de secado. Vea las Instrucciones de instalación.
- **¿Es el diámetro del ducto de escape del tamaño correcto?**
Use un material de ventilación de 4" (10,2 cm) de diámetro.

⚠ ADVERTENCIA



Peligro de Explosión

Mantenga los materiales y vapores inflamables, como la gasolina, lejos de la secadora.

Coloque la secadora a un mínimo de 46 cm sobre el piso para la instalación en un garaje.

No seguir estas instrucciones puede ocasionar la muerte, explosión o incendio.

- **¿Está la secadora ubicada en una habitación cuya temperatura está debajo de 7°C (45°F)?**
El funcionamiento apropiado de los ciclos de la secadora requiere temperaturas superiores a 7°C (45°F).
- **¿Está la secadora ubicada en un armario?**
Las puertas del armario deben tener aberturas de ventilación en la parte superior e inferior de la puerta. La parte lateral y anterior de la secadora necesitan un mínimo de 1" (2,5 cm) de espacio y la parte trasera necesita 5" (12,7 cm). Vea las Instrucciones de instalación.
- **¿Se ha seleccionado un ciclo de secado al aire?** Seleccione el ciclo correcto para el tipo de prendas que se estén secando.
- **¿Está la carga demasiado voluminosa y pesada para secarse con rapidez?**
Separe la carga de modo que pueda rotar libremente.

El tiempo del ciclo es demasiado corto

⚠ ADVERTENCIA

Peligro de Peso Excesivo

Use dos o más personas para mover e instalar la secadora.

No seguir esta instrucción puede ocasionar una lesión en la espalda u otro tipo de lesiones.

- **¿Está terminando más rápido el ciclo automático?**
Quizás la carga no está haciendo contacto con las bandas del detector. Nivele la secadora.

Cambie el ajuste del nivel de secado en ciclos automáticos. Aumentar o disminuir el nivel de secado cambiará la cantidad de tiempo de secado en un ciclo.

Pelusa en la ropa

- **¿Está obstruido el filtro de pelusa?**
El filtro de pelusa debe ser limpiado antes de cada carga.

Manchas en la carga o en el tambor

- **¿Se ha empleado adecuadamente el suavizante de telas?**
Agregue hojas de suavizante de telas al comienzo del ciclo. Las hojas del suavizante de telas que se agregan a una carga parcialmente seca pueden manchar las prendas.

Las manchas en el tambor están causadas por los tintes en las prendas (habitualmente los pantalones de mezclilla). Esto no se transferirá a otras prendas.

Ropa arrugada

- **¿Se ha sacado la ropa de la secadora al final del ciclo?**
- **¿Se ha sobrecargado la secadora?**
Separe cargas más pequeñas que puedan rotar con libertad.

Olores

- **¿Ha estado pintando, tiñendo o barnizando recientemente el área donde se encuentra la secadora?**
De ser así, ventile el área. Cuando los olores o humos se hayan esfumado del área, vuelva a lavar y secar la ropa.

AYUDA O SERVICIO TÉCNICO

Antes de solicitar ayuda o servicio técnico, por favor consulte la sección “Solución de problemas”. Esto le podría ahorrar el costo de una visita de servicio técnico. Si considera que aún necesita ayuda, siga las instrucciones que aparecen a continuación.

Cuando llame, tenga a mano la fecha de compra y el número completo del modelo y de la serie de su electrodoméstico. Esta información nos ayudará a atender mejor a su pedido.

Si necesita piezas de repuesto

Si necesita pedir piezas de repuesto, recomendamos que use únicamente piezas especificadas de fábrica. Las piezas especificadas de fábrica encajarán bien y funcionarán bien ya que están confeccionadas con la misma precisión empleada en la fabricación de cada electrodoméstico nuevo de MAYTAG®.

Para encontrar piezas especificadas de fábrica en su localidad, llame al siguiente número de teléfono de ayuda al cliente o al centro de servicio designado más cercano a su localidad.

En los EE.UU.

Llame al número de teléfono de Maytag Services, LLC sin costo alguno al:
1-800-688-9900.

Nuestros consultores ofrecen ayuda para:

- Características y especificaciones de nuestra línea completa de electrodomésticos.
- Información sobre la instalación.
- Procedimiento para el uso y mantenimiento.

- Venta de accesorios y partes para reparación.
- Asistencia especializada para el consumidor (habla hispana, problemas de audición, visión limitada, etc.).
- Recomendaciones con distribuidores locales, compañías que dan servicio y distribuidores de partes para reparación. Los técnicos de servicio designados para los electrodomésticos Maytag® están capacitados para cumplir con la garantía del producto y ofrecer servicio una vez que la garantía termine, en cualquier lugar de los Estados Unidos.

Para localizar a una compañía de servicio designada para los electrodomésticos Maytag® en su área, también puede consultar la sección amarilla de su guía telefónica.

Para obtener asistencia adicional

Si necesita asistencia adicional, puede escribir a electrodomésticos Maytag® con sus preguntas o dudas a:

Maytag Services, LLC
ATTN: CAIR® Center
P.O. Box 2370
Cleveland, TN 37320-2370

Por favor incluya en su correspondencia un número de teléfono en el que se le pueda localizar durante el día.

GARANTÍA DE LOS ELECTRODOMÉSTICOS PRINCIPALES DE MAYTAG CORPORATION

GARANTÍA LIMITADA DE UN AÑO

Durante un año a partir de la fecha de compra, siempre y cuando se dé a este electrodoméstico principal un uso y mantenimiento de conformidad con las instrucciones adjuntas o provistas con el producto, Maytag Corporation o Maytag Limited (en lo sucesivo denominado "Maytag") se hará cargo del costo de las piezas especificadas de fábrica y del trabajo de reparación para corregir defectos en los materiales o en la mano de obra. El servicio deberá ser suministrado por una compañía de servicio designada por Maytag. Esta garantía limitada se aplica sólo cuando el electrodoméstico principal se use en el país en donde se compró.

MAYTAG NO PAGARÁ POR LOS SIGUIENTES ARTÍCULOS

1. Visitas de servicio técnico para corregir la instalación de su electrodoméstico principal, para enseñarle a usar su electrodoméstico principal, para cambiar o reparar fusibles domésticos o para corregir la instalación eléctrica o de la tubería de la casa.
2. Visitas de servicio técnico para reparar o reemplazar focos para electrodomésticos, filtros de aire o filtros de agua. Esos insumos están excluidos de la cobertura de la garantía.
3. Reparaciones cuando su electrodoméstico principal se use de un modo diferente al doméstico normal de una familia.
4. Daños causados por accidente, alteración, uso indebido, abuso, incendio, inundación, actos fortuitos, instalación incorrecta, instalación que no esté de acuerdo con los códigos eléctricos o de plomería, o el empleo de productos no aprobados por Maytag.
5. Cualquier pérdida de comida debido a fallas del refrigerador o del congelador.
6. Piezas de repuesto o gastos de reparación para electrodomésticos que se empleen fuera de los Estados Unidos o Canadá.
7. Recogida y entrega. Este electrodoméstico principal está diseñado para ser reparado en el hogar.
8. Reparaciones de piezas o sistemas como resultado de modificaciones no autorizadas que se hayan efectuado en el electrodoméstico.
9. Gastos de viaje y transporte para obtener servicio del producto en lugares remotos.
10. La remoción e instalación de su electrodoméstico si estuviera instalado en un lugar inaccesible o si no estuviera instalado de conformidad con las instrucciones de instalación publicadas.
11. Piezas de repuesto o gastos de reparación cuando el electrodoméstico principal se use en un país diferente del país en donde se compró.

EXCLUSIÓN DE GARANTÍAS IMPLÍCITAS; LIMITACIÓN DE RECURSOS

EL ÚNICO Y EXCLUSIVO RECURSO DEL CLIENTE SEGÚN LOS TÉRMINOS DE ESTA GARANTÍA LIMITADA SERÁ EL DE REPARAR EL PRODUCTO SEGÚN SE ESTIPULA EN LA PRESENTE. LAS GARANTÍAS IMPLÍCITAS, INCLUYENDO LAS GARANTÍAS DE COMERCIABILIDAD O DE CAPACIDAD PARA UN PROPÓSITO PARTICULAR, SERÁN LIMITADAS A UN AÑO O AL PERÍODO MÁS CORTO PERMITIDO POR LEY. MAYTAG NO SE RESPONSABILIZARÁ POR DAÑOS INCIDENTALES O CONSECUENTES. ALGUNOS ESTADOS Y PROVINCIAS NO PERMITEN LAS EXCLUSIONES O LIMITACIONES POR DAÑOS INCIDENTALES O CONSECUENTES, O LIMITACIONES ACERCA DE CUÁNTO DEBE DURAR UNA GARANTÍA IMPLÍCITA DE COMERCIABILIDAD O CAPACIDAD, DE MODO QUE LAS LIMITACIONES O EXCLUSIONES ARRIBA MENCIONADAS PUEDEN NO APLICARSE EN SU CASO. ESTA GARANTÍA LE OTORGA DERECHOS LEGALES ESPECÍFICOS Y ES POSIBLE QUE USTED TENGA TAMBIÉN OTROS DERECHOS QUE PUEDEN VARIAR DE UN ESTADO A OTRO O DE UNA PROVINCIA A OTRA.

Esta garantía no tiene vigor fuera de los cincuenta Estados Unidos y Canadá. Póngase en contacto con el distribuidor autorizado de Maytag para determinar si corresponde otra garantía.

Si necesita servicio, consulte primero la sección "Solución de problemas" del Manual de uso y cuidado. Después de consultar la sección "Solución de problemas", puede encontrar ayuda adicional en la sección "Ayuda o servicio técnico", o llamando a Maytag. En EE.UU., llame al **1-800-688-9900**. En Canadá, llame al **1-800-807-6777**. 9/06

Guarde este libro y su comprobante de compra juntos para referencia futura. Usted deberá proporcionar el comprobante de la compra o una fecha de instalación para obtener servicio bajo la garantía.

Escriba la siguiente información acerca de su electrodoméstico principal para ayudarlo mejor a obtener asistencia o servicio técnico si alguna vez llegara a necesitarlo. Deberá tener a mano el número completo del modelo y de la serie. Usted puede encontrar esta información en la etiqueta con el número de modelo y de serie ubicada en el producto.

Nombre del distribuidor _____
Dirección _____
Número de teléfono _____
Número de modelo _____
Número de serie _____
Fecha de compra _____

SÉCURITÉ DE LA SÈCHEUSE

Votre sécurité et celle des autres est très importante.

Nous donnons de nombreux messages de sécurité importants dans ce manuel et sur votre appareil ménager. Assurez-vous de toujours lire tous les messages de sécurité et de vous y conformer.



Voici le symbole d'alerte de sécurité.

Ce symbole d'alerte de sécurité vous signale les dangers potentiels de décès et de blessures graves à vous et à d'autres.

Tous les messages de sécurité suivront le symbole d'alerte de sécurité et le mot "DANGER" ou "AVERTISSEMENT". Ces mots signifient :

! DANGER

Risque possible de décès ou de blessure grave si vous ne suivez pas immédiatement les instructions.

! AVERTISSEMENT

Risque possible de décès ou de blessure grave si vous ne suivez pas les instructions.

Tous les messages de sécurité vous diront quel est le danger potentiel et vous disent comment réduire le risque de blessure et ce qui peut se produire en cas de non-respect des instructions.

AVERTISSEMENT : Pour votre sécurité, les renseignements dans ce manuel doivent être observés pour réduire au minimum les risques d'incendie ou d'explosion ou pour éviter des dommages au produit, des blessures ou un décès.

- **Ne pas entreposer ou utiliser de l'essence ou d'autres vapeurs ou liquides inflammables à proximité de cet appareil ou de tout autre appareil électroménager.**
- **QUE FAIRE DANS LE CAS D'UNE ODEUR DE GAZ :**
 - **Ne pas tenter d'allumer un appareil.**
 - **Ne pas toucher à un commutateur électrique; ne pas utiliser le téléphone se trouvant sur les lieux.**
 - **Évacuer tous les gens de la pièce, de l'édifice ou du quartier.**
 - **Appeler immédiatement le fournisseur de gaz d'un téléphone voisin. Suivre ses instructions.**
 - **À défaut de joindre votre fournisseur de gaz, appeler les pompiers.**
- **L'installation et l'entretien doivent être effectués par un installateur qualifié, une agence de service ou le fournisseur de gaz.**

IMPORTANTES INSTRUCTIONS DE SÉCURITÉ

AVERTISSEMENT : Pour réduire le risque d'incendie, de choc électrique ou de blessure lors de l'utilisation de la sècheuse, il convient d'observer certaines précautions élémentaires dont les suivantes :

- Lire toutes les instructions avant d'utiliser la sècheuse.
- Ne pas placer des articles exposés aux huiles de cuisson dans votre sècheuse. Les articles contaminés par des huiles de cuisson peuvent contribuer à une réaction chimique qui pourrait causer à la charge de s'enflammer.
- Ne pas faire sécher dans la machine des articles qui ont déjà été nettoyés, lavés, imbibés, ou tachés d'essence, de solvants pour nettoyage à sec, d'autres substances inflammables, ou de substances explosives puisqu'elles dégagent des vapeurs qui peuvent provoquer un incendie ou une explosion.
- Ne pas permettre à des enfants de jouer sur ou à l'intérieur de la sècheuse. Une surveillance étroite est nécessaire lorsque la sècheuse est utilisée près d'eux.
- Avant d'enlever la sècheuse du service ou la jeter, enlever la porte du compartiment de séchage.
- Ne pas mettre la main dans la sècheuse si le tambour est en mouvement.
- Ne pas installer ni entreposer la sècheuse où elle sera exposée aux intempéries.
- Ne pas jouer avec les commandes.
- Ne pas réparer ni remplacer une pièce de la sècheuse ou essayer d'en faire l'entretien à moins d'une recommandation spécifique dans le guide d'utilisation et d'entretien, ou publiée dans les instructions de réparation par l'utilisateur que vous comprenez et pouvez exécuter avec compétence.
- Ne pas utiliser un produit assouplissant de tissu ou des produits pour éliminer la statique à moins qu'ils ne soient recommandés par le fabricant du produit assouplissant de tissu ou du produit.
- Ne pas utiliser la chaleur pour faire sécher des articles fabriqués avec du caoutchouc mousse ou des matériaux semblables.
- Nettoyer le filtre à charpie avant et après chaque charge.
- Ne pas laisser la charpie, la poussière, ou la saleté s'accumuler autour du système d'évacuation ou autour de l'appareil.
- Un nettoyage périodique de l'intérieur de la sècheuse et du conduit d'évacuation doit être effectué par une personne qualifiée.
- Voir les instructions d'installation pour les exigences de liaison de l'appareil à la terre.

CONSERVEZ CES INSTRUCTIONS

IMPORTANT : L'installation du gaz doit se conformer aux codes locaux, ou en l'absence de codes locaux, au code canadien d'installation B149.1 du gaz naturel ou du propane.

La sècheuse doit être électriquement reliée à la terre conformément aux codes locaux, ou en l'absence de codes locaux, au Code canadien de l'électricité, CSA C22.1.

INSTRUCTIONS D'INSTALLATION

Outillage et pièces nécessaires

Rassembler les outils et pièces nécessaires avant de commencer l'installation. Lire et suivre les instructions fournies avec les outils indiqués ici.

- Clé à tuyau de 8" ou 10"
- Clé à molette de 8" ou 10" (pour le raccordement au gaz)
- Tournevis à lame plate
- Clé à molette avec ouverture jusqu'à 1" (2,5 cm) ou clé à douille hexagonale (pour ajuster les pieds de la sècheuse)
- Tourne-écrou ou clé à douille de 1/4" (recommandé)
- Niveau
- Couteau
- Brides d'évacuation
- Composé d'étanchéité des raccords filetés – résistant au propane
- Pistolet à calfeutrage et composé de calfeutrage (pour l'installation d'un nouveau conduit d'évacuation)
- Pince
- Mètre ruban

Pièces fournies :

Retirer le sachet de pièces du tambour de la sècheuse. Vérifier que toutes les pièces de la liste sont présentes.



4 pieds de nivellement

Pièces nécessaires :

Consulter les codes locaux et le fournisseur de gaz, vérifier l'alimentation en gaz existante, l'alimentation électrique et le circuit d'évacuation, et lire les sections "Spécifications électriques", "Spécifications d'alimentation en gaz" et "Exigences concernant l'évacuation" avant d'acheter les pièces nécessaires.

Les installations dans les maisons mobiles nécessitent des pièces particulières (mentionnées ci-dessous) qui peuvent être commandées en appelant le marchand chez qui vous avez acheté la sècheuse. Pour plus de renseignements, veuillez consulter la section "Assistance ou service".

- Trousse d'installation pour maison mobile. Demander le numéro de pièce 346764.
- Système d'évacuation en métal.

Exigences d'installation

⚠ AVERTISSEMENT



Risque d'explosion

Garder les matières et les vapeurs inflammables, telle que l'essence, loin de la sècheuse.

Placer la sècheuse au moins 46 cm (18 po) au-dessus du plancher pour une installation dans un garage.

Le non-respect de ces instructions peut causer un décès, une explosion ou un incendie.

On a besoin de

- Un emplacement avec un conduit d'évacuation à proximité. Une sècheuse au gaz doit être évacuée à l'extérieur. Voir "Exigences concernant l'évacuation".
- Une prise électrique avec liaison à la terre située à moins de 2 pi (61 cm) de l'un des côtés de la sècheuse. Voir "Spécifications électriques".
- Un plancher robuste capable de supporter un poids total (sècheuse et charge) de 200 lb (90,7 kg). Le poids combiné d'un appareil voisin doit également être pris en compte.
- Un plancher horizontal avec une pente maximale de 1" (2,5 cm) sous l'ensemble de la sècheuse. (Si la pente est supérieure à 1" (2,5 cm), installer l'ensemble de pieds longs n° de pièce 279810.) Si la sècheuse n'est pas d'aplomb, le linge peut ne pas culbuter convenablement et les programmes commandés par des détecteurs automatiques peuvent ne pas fonctionner correctement.

Ne pas faire fonctionner la sècheuse à une température inférieure à 45°F (7°C). À des températures inférieures, la sècheuse risque de ne plus s'arrêter à la fin d'un programme automatique. Les temps de séchage risquent alors d'augmenter.

La sècheuse ne doit pas être installée ou remise dans un endroit où elle sera exposée à l'eau et/ou aux intempéries.

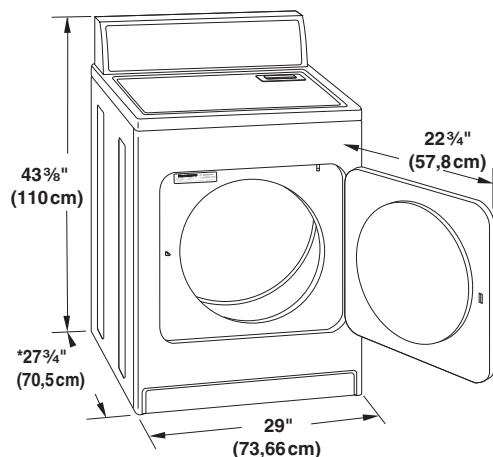
Vérifier les règlements locaux. Certains codes limitent ou n'autorisent pas l'installation des sècheuses dans un garage, un placard, une maison mobile ou une chambre à coucher. Communiquer avec l'inspecteur des bâtiments local.

REMARQUE : Aucun autre appareil consommant un combustible ne doit être installé dans le même placard que la sècheuse.

Espacements d'installation

L'emplacement doit être assez grand pour permettre d'ouvrir complètement la porte de la sècheuse.

Dimensions de la sècheuse



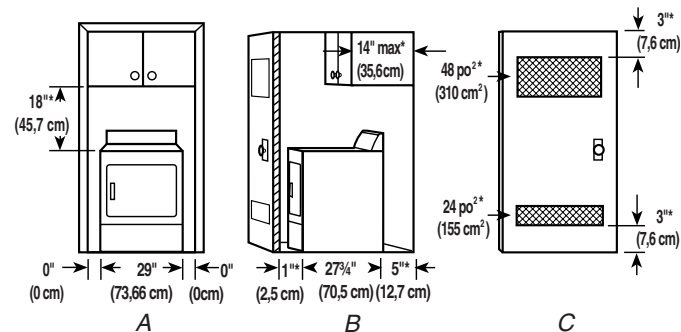
*La plupart des installations requièrent un espace minimum de 5" (12,7 cm) derrière la sècheuse pour le conduit d'évacuation avec coude. Voir "Exigences concernant l'évacuation".

Espacement minimum pour une installation dans un encastrement ou dans un placard

On recommande les dimensions d'espacement suivantes pour cette sècheuse. Cette sècheuse a été testée pour une installation avec dégagement de 0" (0 cm) sur les côtés et à l'arrière. L'espacement recommandé doit être considéré pour les raisons suivantes :

- On prévoira un peu plus d'espace pour faciliter l'installation et l'entretien.
- Un espace supplémentaire peut être requis pour les moulures de porte et de plancher et pour les plinthes.

- Un espace supplémentaire de tous les côtés de la sècheuse est recommandé pour réduire le transfert du bruit.
- Si une porte de placard est installée (pour une installation encastrée), on doit prévoir des orifices d'entrée d'air en haut et en bas de la porte. Les portes à claire-voie offrant une surface équivalente de passage de l'air sont acceptables.
- Il faut aussi prendre en compte l'espace requis entre les appareils voisins.



A. Encastrement

B. Vue latérale - placard ou endroit exigu

C. Porte du placard avec orifices d'entrée d'air

*Espacement requis

Exigences additionnelles concernant l'installation dans une maison mobile

Cette sècheuse peut être installée dans une maison mobile. L'installation doit satisfaire les critères de la Norme de construction et de sécurité des habitations préfabriquées des É.-U., Titre 24 CFR, partie 3280 (anciennement Norme fédérale de construction et de sécurité des habitations préfabriquées, Titre 24 HUD, partie 280) ou de la Norme canadienne des habitations préfabriquées, CAN/CSA-Z240MH.

L'installation dans une maison mobile exige :

- Un système d'évacuation en métal, disponible à l'achat chez votre marchand.
- La trousse d'installation pour maison mobile n° 346764. Voir la section "Outillage et pièces nécessaires" pour les renseignements de commande.
- Il faut prendre des dispositions spéciales pour l'apport d'air de l'extérieur dans la sècheuse lors d'une installation dans une maison mobile. La surface de toute ouverture pour l'apport d'air extérieur (telle qu'une fenêtre à proximité) devrait être au moins deux fois plus grande que l'ouverture de décharge de la sècheuse.

Spécifications électriques

⚠ AVERTISSEMENT



Risque de choc électrique

Brancher sur une prise à 3 alvéoles reliée à la terre.

Ne pas enlever la broche de liaison à la terre.

Ne pas utiliser un adaptateur.

Ne pas utiliser un câble de rallonge.

Le non-respect de ces instructions peut causer un décès, un incendie ou un choc électrique.

- L'appareil doit être alimenté par un circuit de 120 V, CA seulement, 60 Hz, 15 ou 20 ampères, protégé par fusible. On recommande l'emploi d'un fusible ou d'un disjoncteur temporisé. Il est recommandé de raccorder l'appareil sur un circuit distinct exclusif à cet appareil.

INSTRUCTIONS DE LIAISON À LA TERRE

- Pour une sècheuse reliée à la terre et connectée par un cordon :

Cette sècheuse doit être reliée à la terre. En cas de mauvais fonctionnement ou de panne, la liaison à la terre réduira le risque de choc électrique en offrant au courant électrique un acheminement d'évacuation de moindre résistance. Cette sècheuse est alimentée par un cordon électrique comportant un conducteur relié à la terre et une fiche de branchement munie d'une broche de liaison à la terre. La fiche doit être branchée sur une prise appropriée qui est bien installée et reliée à la terre conformément à tous les codes et règlements locaux.

AVERTISSEMENT : Le raccordement incorrect de cet appareil au conducteur de liaison à la terre peut susciter un risque de choc électrique. En cas de doute quant à la qualité de liaison à la terre de la sècheuse, consulter un électricien ou un technicien ou un personnel qualifié. Ne pas modifier la fiche de branchement fournie avec la sècheuse; si la fiche ne correspond pas à la configuration de la prise de courant, demander à un électricien qualifié d'installer une prise de courant appropriée.

CONSERVEZ CES INSTRUCTIONS

Spécifications de l'alimentation en gaz

⚠ AVERTISSEMENT



Risque d'explosion

Utiliser une canalisation neuve d'arrivée de gaz approuvée par CSA International.

Installer un robinet d'arrêt.

Bien serrer chaque organe de connexion de la canalisation de gaz.

En cas de connexion au gaz propane, demander à une personne qualifiée de s'assurer que la pression de gaz ne dépasse pas 33 cm (13 po) de la colonne d'eau.

Par personne qualifiée, on comprend :

le personnel autorisé de chauffage,
le personnel autorisé d'une compagnie de gaz, et
le personnel d'entretien autorisé.

Le non-respect de ces instructions peut causer un décès, un explosion ou un incendie.

Type de gaz

Gaz naturel :

Cette sècheuse est équipée pour une alimentation au gaz naturel. Sa conception est homologuée par la CSA International pour l'alimentation au gaz de pétrole liquéfié (propane ou butane), avec conversion appropriée.

- Cette sècheuse doit être équipée du brûleur convenable, correspondant au gaz spécifique qui alimente l'habitation. L'information sur le brûleur se trouve sur la plaque signalétique dans le logement de la porte de la sècheuse. Si cette information ne correspond pas au type de gaz disponible, contacter votre marchand ou composer les numéros de téléphone indiqués sur la page de couverture de ce manuel.

Conversion au gaz de pétrole liquéfié :

Un technicien qualifié doit effectuer la conversion.

Ne pas entreprendre de convertir l'appareil pour l'utilisation d'un gaz différent de celui indiqué sur la plaque signalétique de numéro de modèle/série sans d'abord consulter le fournisseur de gaz.

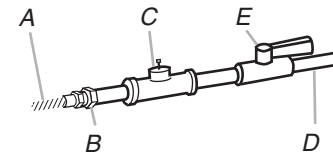
Canalisation d'arrivée de gaz

- La canalisation doit comprendre un connecteur obturé (filetage NPT de 1/8" ou plus) accessible pour le raccordement de l'instrument de mesure immédiatement en amont de la connexion d'alimentation en gaz de la sècheuse (voir l'illustration).
- Un tuyau IPS de 1/2" est recommandé.
- Pour les longueurs inférieures à 20 pi (6,1 m), on peut utiliser des tuyaux approuvés de 3/8" (en aluminium ou en cuivre), si les codes et le fournisseur de gaz le permettent.
- Pour le gaz naturel, ne pas utiliser de conduits en cuivre.
- Pour les longueurs supérieures à 20 pieds (6,1 m), on peut utiliser des tuyaux plus gros et un adaptateur de grosseur différente.
- Si la sècheuse a été convertie au gaz de pétrole liquéfié, on peut utiliser un tuyau en cuivre compatible au gaz de pétrole liquéfié de 3/8". Si la longueur totale de la canalisation d'arrivée de gaz est supérieure à 20 pi (6,1 m), utiliser une plus grosse conduite.

REMARQUE : On doit utiliser un composé d'étanchéité des tuyauteries résistant à l'action du gaz de pétrole liquéfié. Ne pas utiliser de ruban TEFLON®†.

- Doit comporter un robinet d'arrêt du gaz :

Un robinet d'arrêt manuel individuel doit être installé conformément à la norme B149.1 du Code des installations au gaz naturel ou propane. Il est recommandé qu'un robinet d'arrêt manuel individuel soit installé en deçà de 6 pieds (1,8 m) de la sècheuse. L'emplacement doit être facile à atteindre pour l'ouverture et la fermeture.



- A. Connecteur au gaz souple de 3/8"
- B. Adaptateur du tuyau au joint conique de 3/8"
- C. Connecteur obturé (filetage NPT de 1/8" ou plus)
- D. Canalisation d'arrivée de gaz NPT de 1/2"
- E. Robinet d'arrêt du gaz

Exigences concernant le raccordement au gaz

- Utiliser un coude et un adaptateur NPT de 3/8" x 3/8" entre le connecteur de gaz flexible et la conduite de gaz de la sècheuse, tel que nécessaire pour éviter le pincement.
- Utiliser uniquement un composé d'étanchéité des tuyauteries. Ne pas utiliser de ruban TEFLON®†.
- On doit raccorder la sècheuse à la conduite d'alimentation en gaz à l'aide d'un connecteur de gaz flexible homologué qui respecte les normes applicables aux connecteurs utilisés avec des appareils ménagers à gaz, ANSI Z21.24 ou CSA 6.10.

†®TEFLON est une marque déposée de E.I. Du Pont De Nemours et Compagnie.

Caractéristiques d'alimentation du brûleur :

Altitudes supérieures à 10 000 pi (3048 m) :

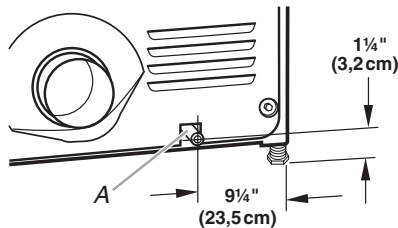
- Si la sécheuse doit être utilisée à une altitude supérieure à 10 000 pieds (3048 m), on doit réduire de 4 % le débit thermique du brûleur indiqué sur la plaque signalétique pour chaque tranche de 1000 pieds (305 m) d'augmentation de l'altitude.

Épreuve sous pression de l'alimentation en gaz

- La sécheuse doit être déconnectée du système de canalisation d'alimentation en gaz lors de tout test de pression à des pressions plus élevées que $\frac{1}{2}$ lb/po².

Canalisation d'arrivée de gaz de la sécheuse

- La canalisation d'arrivée de gaz sortant à l'arrière de la sécheuse est dotée d'un filetage mâle de $\frac{3}{8}$ ".



A. Tuyau NPT de la sécheuse de $\frac{3}{8}$ "

Exigences concernant l'évacuation

⚠ AVERTISSEMENT



Risque d'incendie

Utiliser un conduit d'évacuation en métal lourd.

Ne pas utiliser un conduit d'évacuation en plastique.

Ne pas utiliser un conduit d'évacuation en feuille de métal.

Le non-respect de ces instructions peut causer un décès ou un incendie.

AVERTISSEMENT : Pour réduire le risque d'incendie, cette sécheuse doit ÉVACUER L'AIR À L'EXTÉRIEUR.

IMPORTANT : Observer les dispositions de tous les codes et règlements en vigueur.

Le conduit d'évacuation de la sécheuse ne doit pas être connecté à une évacuation de gaz, une cheminée, un mur, un plafond ou un vide de construction.

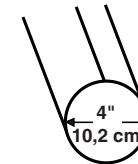
En cas d'utilisation du système d'évacuation existant

- Éliminer la charpie sur toute la longueur du système et veiller à ce que le clapet de décharge ne soit pas obstrué par une accumulation de charpie.
- Remplacer tout conduit de plastique ou de feuille métallique par un conduit de métal lourd rigide ou souple.
- Examiner le tableau de longueur du conduit d'évacuation. Apporter les modifications nécessaires au système d'évacuation pour atteindre le meilleur rendement de séchage.

En cas de nouveau système d'évacuation

Matériel pour l'évacuation

- Utiliser un conduit d'évacuation en métal lourd. Ne pas utiliser un conduit de plastique ou en feuille métallique.
- Utiliser un conduit d'évacuation en métal lourd de 4" (10,2 cm) et des brides de serrage.



Conduit d'évacuation en métal lourd de 4" (10,2 cm)

On peut se procurer les produits d'évacuation auprès du marchand ou en téléphonant à Maytag Services. Pour plus de renseignements, voir la section "Assistance ou service".

Conduit métallique rigide

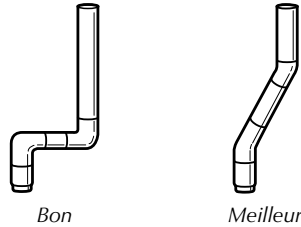
- Pour un meilleur rendement de séchage, on recommande d'utiliser des conduits métalliques rigides.
- On recommande d'utiliser un conduit métallique rigide pour réduire les risques d'écrasement et de déformation.

Conduit métallique flexible

- Les conduits métalliques flexibles sont acceptables seulement dans la mesure où ils sont accessibles en vue du nettoyage.
- Un conduit métallique flexible doit être totalement déployé et soutenu lorsque la sécheuse est à sa position finale.
- Enlever tout excès de conduit flexible pour éviter tout affaissement ou déformation susceptible de réduire la capacité d'évacuation et le rendement.
- Ne pas installer le conduit métallique flexible dans les cavités fermées des murs, plafonds ou planchers.

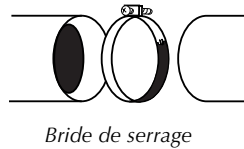
Coudes

Les coudes à 45° permettent une meilleure circulation de l'air que les coudes à 90°.



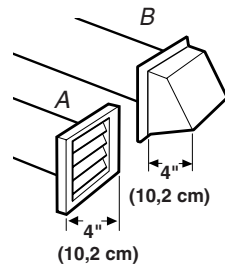
Brides de serrage

- Utiliser des brides pour sceller tous les joints.
- Le conduit d'évacuation ne doit pas être connecté ou fixé avec des vis ou avec tout autre dispositif de serrage qui se prolonge à l'intérieur du conduit. Ne pas utiliser de ruban adhésif pour conduit.



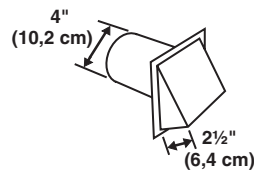
Évacuation

Les styles de clapets recommandés sont illustrés ci-dessous.



A. Clapet à persiennes
B. Clapet de type boîte

Le clapet incliné de type boîte ci-dessous est acceptable.



- Terminer le conduit d'évacuation par un clapet de décharge pour empêcher les rongeurs et insectes d'entrer dans l'habitation.

- Le clapet de décharge doit être situé à au moins 12" (30,5 cm) au-dessus du sol ou de tout autre objet susceptible de se trouver sur le trajet de l'air humide rejeté (par exemple, fleurs, roches ou arbustes, limite de la neige, etc.).
- Ne pas utiliser un clapet d'évacuation à fermeture magnétique.

Une mauvaise évacuation de l'air peut causer de l'humidité et une accumulation de charpie à l'intérieur de la maison, ce qui peut provoquer :

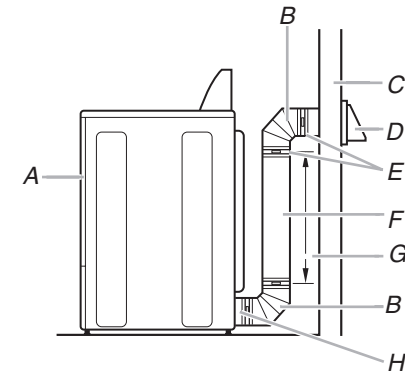
- Dommages par l'humidité aux boiseries, meubles, peinture, papier-peint, tapis, etc.
- Problèmes de nettoyage dans la maison et problèmes de santé.

Planification du système d'évacuation

Choisir un type de système d'évacuation

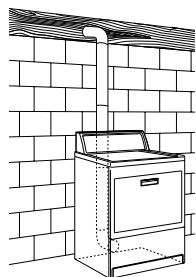
Installations d'évacuation recommandées

Les installations typiques consistent à acheminer le conduit d'évacuation à l'arrière de la sècheuse. D'autres installations sont possibles.



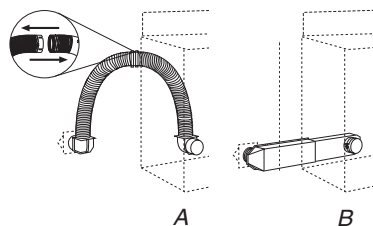
A. Sècheuse
B. Coude
C. Mur
D. Clapet de décharge
E. Brides
F. Conduit métallique rigide ou souple
G. Longueur de conduit nécessaire pour raccorder les coudes
H. Bouche de décharge

Installations standard du conduit d'évacuation à l'aide d'un conduit métallique rigide ou souple



Autres installations où le dégagement est réduit

Il existe de nombreux types de systèmes d'évacuation. Choisir le type qui convient le mieux à l'installation. Deux installations à dégagement réduit sont illustrées. Voir les instructions du fabricant.



A. Installation au-dessus de la sècheuse (aussi disponible avec un coude décalé)

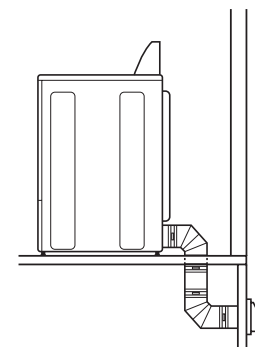
B. Installation de périscope

REMARQUE : On peut acheter les trousseaux suivantes pour les installations où le dégagement est réduit. Veuillez consulter la section "Assistance ou service" pour commander.

- Installation au-dessus de la sècheuse :
Pièce numéro 4396028
- Installation de périscope (pour l'utilisation en cas de non-concordance de la bouche de décharge de la sècheuse avec le clapet) :
Pièce numéro 4396037 - 0" (0 cm) à 18" (45,72 cm) de décalage
Pièce numéro 4396011 - 18" (45,72 cm) à 29" (73,66 cm) de décalage
Pièce numéro 4396014 - 29" (73,66 cm) à 50" (127 cm) de décalage

Dispositions spéciales pour les installations dans une maison mobile

Le système d'évacuation doit être solidement fixé à une section non combustible de la structure de la maison mobile et ne doit pas se terminer en dessous de la maison mobile. Faire en sorte que le système d'évacuation se termine à l'extérieur.



Déterminer l'itinéraire d'acheminement du conduit

- Choisir l'itinéraire d'acheminement vers l'extérieur qui sera le plus direct et le plus rectiligne.
- Planifier l'installation pour introduire le nombre minimal de coudes et de changements de direction.
- Si des coudes ou des changements de direction sont utilisés, prévoir autant d'espace que possible.
- Plier le conduit graduellement pour éviter de le déformer.
- Utiliser le moins possible de changements de direction à 90°.

Déterminer la longueur du conduit et les coudes nécessaires pour la meilleure performance de séchage

- Utiliser le tableau des systèmes d'évacuation ci-dessous pour déterminer le type de matériel à utiliser pour le conduit et les combinaisons de clapet acceptables.
- **REMARQUE :** Ne pas utiliser un conduit de longueur supérieure à la valeur spécifiée dans le tableau des systèmes d'évacuation. Si la longueur du circuit est supérieure à la valeur spécifiée dans le tableau, on observera :
 - Une réduction de la longévité de la sècheuse.
 - Une réduction du rendement, avec temps de séchage plus longs et une plus grande consommation d'énergie.

Le tableau des systèmes d'évacuation fournit les exigences d'évacuation qui vous aideront à atteindre la meilleure performance de séchage.

Tableaux des systèmes d'évacuation

Lors de l'utilisation d'un type seulement de conduit d'évacuation métallique :

Le tableau suivant vous aide à déterminer la longueur maximale du conduit d'évacuation selon le nombre de changements de direction à 90° ou coudes dont vous aurez besoin et le type de conduit d'évacuation métallique (rigide et/ou souple) que vous utiliserez.

Tableau de longueur du conduit d'évacuation

Nombre de changements de direction à 90° ou de coudes	Conduit métallique rigide	Conduit métallique souple
0	120 pi (36,6 m)	40 pi (12,2 m)
1	110 pi (33,5 m)	37 pi (11,3 m)
2	100 pi (30,5 m)	33 pi (10,1 m)
3	90 pi (27,4 m)	30 pi (9,1 m)
4	80 pi (24,4 m)	27 pi (8,2 m)
5	70 pi (21,3 m)	23 pi (7,0 m)

Lors de l'utilisation d'une combinaison de conduits d'évacuation métalliques rigide et souple :

Utilisez les tableaux suivants pour vous aider à déterminer la longueur maximale du conduit d'évacuation selon le nombre de changements de direction à 90° ou de coudes dont vous aurez besoin.

- Déterminez le nombre de coudes ou de changements de direction dont vous aurez besoin.
- Déterminez la longueur du conduit d'évacuation métallique souple totalement étendu que vous utiliserez. Repérez la colonne dont la taille (en nombre de pieds) est la plus proche de ce que vous utilisez.
- Associez le nombre de changements de direction ou de coudes à la longueur du conduit d'évacuation métallique souple totalement étendu pour obtenir la longueur maximale du conduit métallique rigide dont vous pouvez vous servir.

Tableau de longueur du conduit d'évacuation - 0 pi (0 m) à 10 pi (3,0 m)

Nombre de changements de direction ou de coudes	Longueur du conduit d'évacuation métallique souple		
	0 pi (0 m)	1-5 pi (0,3-1,5 m)	6-10 pi (1,8-3,0 m)
0	120 pi (36,6 m)	105 pi (32,0 m)	90 pi (27,4 m)
1	110 pi (33,5 m)	95 pi (29,0 m)	80 pi (24,4 m)
2	100 pi (30,5 m)	85 pi (25,9 m)	70 pi (21,3 m)
3	90 pi (27,4 m)	75 pi (22,9 m)	60 pi (18,3 m)
4	80 pi (24,4 m)	65 pi (19,8 m)	50 pi (15,2 m)
5	70 pi (21,3 m)	55 pi (16,8 m)	40 pi (12,2 m)

Tableau de longueur du conduit d'évacuation - 11 pi (3,4 m) à 25 pi (7,6 m)

Nombre de changements de direction ou de coudes	Longueur du conduit d'évacuation métallique souple		
	11-15 pi (3,4-4,6 m)	16-20 pi (4,9-6,1 m)	21-25 pi (6,4-7,6 m)
0	75 pi (22,9 m)	60 pi (18,3 m)	45 pi (13,7 m)
1	65 pi (19,8 m)	50 pi (15,2 m)	35 pi (10,7 m)
2	55 pi (16,8 m)	40 pi (12,2 m)	25 pi (7,6 m)
3	45 pi (13,7 m)	30 pi (9,1 m)	15 pi (4,6 m)
4	35 pi (10,7 m)	20 pi (6,1 m)	5 pi (1,5 m)
5	25 pi (7,6 m)	10 pi (3,0 m)	0 pi (0 m)

Installation du système d'évacuation

1. Installer le clapet d'évacuation. Utiliser du composé de calfeutrage pour sceller l'ouverture murale à l'extérieur autour du clapet d'évacuation.
2. Raccorder le conduit d'évacuation au clapet. Le conduit doit être inséré à l'intérieur du clapet. Fixer ensemble le conduit et le clapet avec une bride de serrage de 4" (10,2 cm).
3. Acheminer le conduit d'évacuation jusqu'à l'emplacement de la sécheuse. Utiliser l'itinéraire le plus rectiligne possible. Voir "Déterminer l'itinéraire d'acheminement du conduit" dans "Planification du système d'évacuation". Éviter les changements de direction à 90°. Utiliser des brides de serrage pour sceller tous les joints. Ne pas utiliser de ruban adhésif pour conduit, des vis ou autres dispositifs de fixation qui se prolongent à l'intérieur du conduit pour fixer celui-ci.

Installation des pieds de nivellement

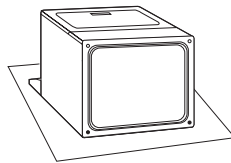
AVERTISSEMENT

Risque du poids excessif

Utiliser deux ou plus de personnes pour déplacer et installer la sécheuse.

Le non-respect de cette instruction peut causer une blessure au dos ou d'autre blessure.

1. Pour protéger le sol, utiliser un grand morceau plat de l'emballage en carton de la sécheuse. Placer le carton sous le bord arrière de la sécheuse.
2. Saisir fermement la sécheuse par la caisse (ni par le dessus ni par le panneau de commande). Déposer délicatement la sécheuse sur le carton. Voir l'illustration.



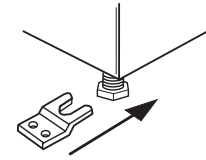
3. Examiner les pieds de nivellement. Trouver le symbole de repérage (losange).



4. Engager manuellement les vis des pieds dans les trous. Utiliser une clé à molette pour visser les pieds jusqu'à ce que le symbole de repérage (losange) ne soit plus visible.
5. Placer une cornière de carton prise à partir de l'emballage de la sécheuse sous chacun des deux coins arrière de la sécheuse. Redresser la sécheuse. Faire glisser la sécheuse sur les cornières jusqu'à ce qu'elle soit proche de son emplacement final. Laisser suffisamment d'espace pour connecter le conduit d'évacuation ou la canalisation de gaz.

Pour utilisation dans une maison mobile

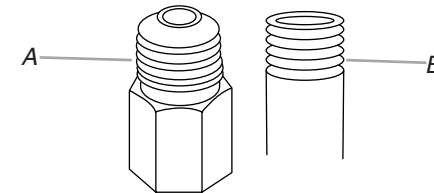
Les sècheuses à gaz doivent être fixées solidement au plancher.



Les installations dans une maison mobile nécessitent une trousse d'installation pour maison mobile. Voir la section "Outillage et pièces" pour les renseignements de commande.

Raccordement au gaz

1. Retirer le capuchon rouge de la conduite de gaz.
2. À l'aide d'une clé à molette, raccorder l'alimentation en gaz à la sécheuse. Utiliser un composé d'étanchéité des tuyauteries sur tous les filetages mâles non évasés. Si on utilise un conduit métallique souple, veiller à ce qu'il ne soit pas déformé.

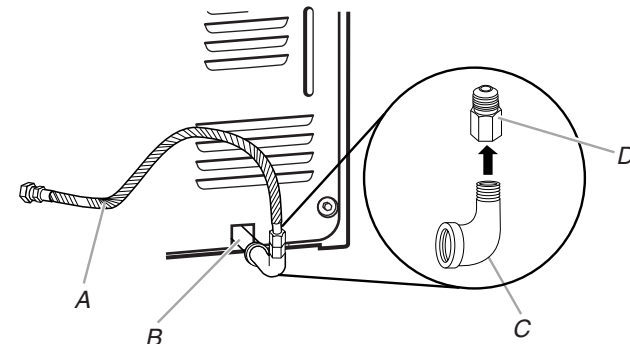


A. Filetage mâle évasé

B. Filetage mâle non évasé

REMARQUE : Pour les raccordements au gaz de pétrole liquéfié, il faut utiliser un composé d'étanchéité des tuyauteries résistant à l'action du gaz de pétrole liquéfié. Ne pas utiliser de ruban TEFLON®†.

On doit utiliser une combinaison de raccords de tuyauterie pour raccorder la sécheuse à l'alimentation en gaz existante. On voit ci-dessous une illustration d'un raccordement recommandé. Le raccordement peut varier, selon le type d'alimentation, la dimension et l'emplacement.



A. Connecteur de gaz souple de 3/8"

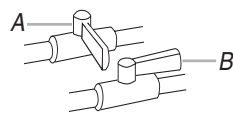
B. Conduit de la sécheuse de 3/8"

C. Coude de conduit de 3/8" à 3/8"

D. Adaptateur entre le conduit et le joint conique de 3/8"

†®TEFLON est une marque déposée de E.I. Du Pont De Nemours and Company.

- Ouvrir le robinet d'arrêt du conduit d'alimentation. Le robinet est ouvert lorsque la poignée est parallèle au conduit d'alimentation en gaz.



A. Robinet fermé
B. Robinet ouvert

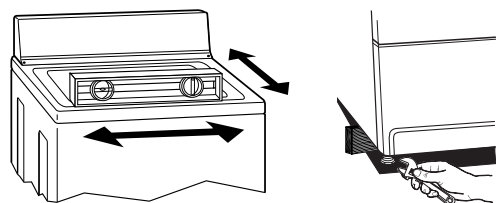
- Vérifier tous les raccordements en les badigeonnant d'une solution de détection des fuites non corrosive approuvée. L'apparition de bulles indique une fuite. Réparer toute fuite éventuelle.

Raccordement du conduit d'évacuation

- À l'aide d'une bride de serrage de 4" (10,2 cm), relier le conduit d'évacuation à la bouche d'évacuation de la sécheuse. Si on utilise un système d'évacuation existant, s'assurer qu'il est propre. Le conduit d'évacuation de la sécheuse doit être fixé sur la bouche d'évacuation de la sécheuse et dans le clapet d'évacuation. S'assurer que le conduit d'évacuation est fixé au clapet d'évacuation à l'aide d'une bride de serrage de 4" (10,2 cm).
- Placer la sécheuse à son emplacement final. Ne pas écraser ni déformer le conduit d'évacuation.
- (Sur les modèles à gaz) Vérifier que le tuyau de gaz flexible n'est pas déformé ou écrasé.
- Une fois que le conduit d'évacuation est raccordé, retirer les cornières et le carton.

Mise à niveau de la sécheuse

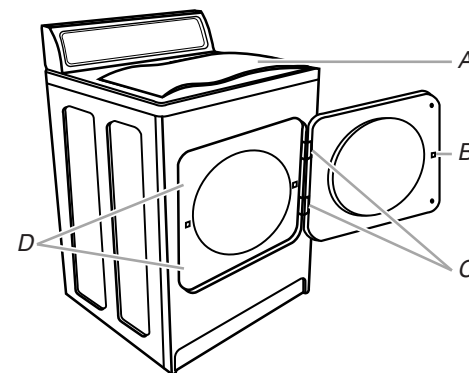
Contrôler l'aplomb de la sécheuse. Contrôler l'aplomb tout d'abord transversalement, puis dans le sens avant/arrière.



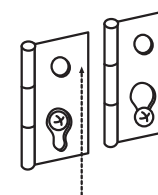
Si la sécheuse n'est pas de niveau, la déposer sur un bloc de bois. Utiliser une clé à molette pour ajuster les pieds vers le haut ou vers le bas, et vérifier à nouveau si elle est de niveau.

Inversion du sens d'ouverture de la porte (facultatif)

On peut changer l'ouverture de la porte du côté droit au côté gauche si désiré.



- Placer une serviette (A) sur la sécheuse pour protéger la surface.
- Ouvrir la porte de la sécheuse. Ôter les vis inférieures fixant les charnières (C) sur la caisse. Desserrer (sans les ôter) les vis supérieures fixant les charnières sur la caisse.
- Soulever la porte suffisamment pour que les vis supérieures de la caisse se trouvent dans la partie élargie des trous des charnières. Tirer la porte vers l'avant pour la dégager des vis. Placer la porte (poignée vers le haut) sur le dessus de la sécheuse. Ôter les vis supérieures de la caisse.
- Enlever les vis qui fixent les charnières sur la porte.
- Utiliser un petit tournevis à lame plate pour ôter soigneusement 4 bouchons d'obturation (D) du côté gauche de la caisse. Insérer les bouchons dans les trous de charnière du côté droit de la caisse.
- Insérer les vis dans les trous inférieurs du côté gauche de la caisse. Serrer les vis à moitié. Placer la porte de telle sorte que la partie élargie du trou de charnière se trouve au-dessus des vis. Glisser la porte vers le haut de telle sorte que les vis se trouvent au bas des fentes. Serrer les vis. Insérer les vis supérieures dans les charnières et les serrer.
- Fermer la porte; vérifier que la gâche de la porte est alignée avec le loquet (B). Au besoin, déplacer la gâche de la porte vers la gauche ou vers la droite dans son logement pour ajuster l'alignement.



Achever l'installation

1. Vérifier que toutes les pièces sont installées. S'il reste une pièce, passer en revue les différentes étapes pour découvrir laquelle aurait été oubliée.
2. S'assurer d'avoir récupéré tous vos outils.
3. Vérifier l'emplacement définitif de la sècheuse. S'assurer que le conduit d'évacuation n'est pas écrasé ou déformé.
4. Vérifier que la sècheuse est de niveau. Voir "Mise à niveau de la sècheuse".

AVERTISSEMENT



Risque de choc électrique

Brancher sur une prise à 3 alvéoles reliée à la terre.

Ne pas enlever la broche de liaison à la terre.

Ne pas utiliser un adaptateur.

Ne pas utiliser un câble de rallonge.

Le non-respect de ces instructions peut causer un décès, un incendie ou un choc électrique.

6. Ôter tout film protecteur ou ruban adhésif restant sur la sècheuse.
 7. Jeter/recycler tout le matériel d'emballage.
 8. Lire "Utilisation de la sècheuse".
 9. Essuyer soigneusement l'intérieur du tambour de la sècheuse avec un chiffon humide pour éliminer toute trace de poussière.
 10. Sélectionner un programme de séchage minuté avec chaleur et mettre la sècheuse en marche. Ne pas sélectionner le réglage de température Air Only (air seulement).
Si la sècheuse ne démarre pas, vérifier ce qui suit :
 - La sècheuse est branchée sur une prise à 3 alvéoles reliée à la terre.
 - L'alimentation électrique est connectée.
 - Les fusibles sont intacts et serrés, ou le disjoncteur n'est pas déclenché.
 - La porte de la sècheuse est fermée.
 11. Après 5 minutes de fonctionnement, ouvrir la porte de la sècheuse et vérifier s'il y a de la chaleur. En cas de chaleur, annuler le programme et fermer la porte. Si aucune émanation de chaleur n'est perceptible, éteindre la sècheuse et vérifier que le robinet d'arrêt de la canalisation de gaz est ouvert.
 - Si le robinet d'arrêt de la canalisation de gaz est fermé, l'ouvrir, puis répéter le test de 5 minutes décrit ci-dessus.
 - Si le robinet d'arrêt de la canalisation de gaz est ouvert, contacter un technicien qualifié.
5. Brancher la sècheuse sur une prise à 3 broches reliée à la terre. Connecter l'alimentation électrique.

UTILISATION DE LA SÉCHEUSE

Mise en marche de la sècheuse

AVERTISSEMENT



Risque d'explosion

Garder les matières et les vapeurs inflammables, telle que l'essence, loin de la sècheuse.

Ne pas faire sécher un article qui a déjà été touché par un produit inflammable (même après un lavage).

Le non-respect de ces instructions peut causer un décès, une explosion ou un incendie.

AVERTISSEMENT



Risque d'incendie

Aucune laveuse ne peut complètement enlever l'huile.

Ne pas faire sécher des articles qui ont été salis par tout genre d'huile (y compris les huiles de cuisson).

Les articles contenant mousse, caoutchouc ou plastique doivent être séchés sur une corde à linge ou par le programme de séchage à l'air.

Le non-respect de ces instructions peut causer un décès ou un incendie.

Ce manuel couvre plusieurs modèles différents. Votre modèle peut ne pas avoir tous les programmes ou caractéristiques décrits.

Avant d'utiliser la sècheuse, essuyer le tambour de la sècheuse avec un linge humide pour enlever la poussière accumulée au cours de l'entreposage et de l'expédition.

1. Nettoyer le filtre à charpie avant chaque charge. Voir "Nettoyage du filtre à charpie".
2. Charger les vêtements sans les tasser dans la sècheuse et fermer la porte. Ne pas surcharger la sècheuse. Prévoir suffisamment d'espace pour que les vêtements puissent culbutter librement.
3. Tourner le bouton de commande de programme au programme recommandé pour le type de charge que vous séchez. Utiliser le réglage Energy Preferred [éconergique (*)] pour sécher la plupart des tissus lourds et de poids moyen.
4. Si votre sècheuse a un sélecteur de température, le régler à la position recommandée pour le type de tissu à sécher. Voir "Descriptions des programmes de la sècheuse" (feuille séparée) pour des suggestions sur la température. Sur certains modèles, la température fait partie des sélections de programme.
5. (OPTION) Votre sècheuse peut être munie d'un sélecteur pour la caractéristique WRINKLE PREVENT (antifroissement). Lorsqu'on ne peut pas enlever une charge de la sècheuse dès qu'elle s'arrête, des faux plis peuvent se former. Cette caractéristique fournit un culbutage à intervalles, réarrange et aère les charges sans chauffage pour éviter les faux plis.
6. (OPTION) Votre sècheuse peut être munie d'un signal de fin de programme (END OF CYCLE SIGNAL). Le signal est utile lorsque vous faites sécher des articles qui doivent être enlevés de la sècheuse aussitôt qu'elle s'arrête.
 - Sur certains modèles, le volume du signal de fin de programme peut être ajusté. Tourner le bouton sélecteur au volume désiré.
 - Sur d'autres modèles, le signal de fin de programme fait partie du bouton de mise en marche et peut être sélectionné. Tourner le bouton START (mise en marche) à ON (marche) ou OFF (arrêt). Le signal sera entendu seulement si le bouton sélecteur est réglé à ON.
7. Sélectionner l'option désirée. Voir "Descriptions des programmes de la sècheuse" (feuille séparée).
8. Ajouter une feuille d'assouplissant de tissus, si désiré. Suivre les instructions sur l'emballage.
9. Appuyer sur la touche START.

Fonctionnement du programme de séchage automatique

Lors de l'utilisation du programme Auto Moisture Sensing (détection automatique de l'humidité), le degré de séchage de la charge est déterminé par deux bandes métalliques (capteurs) situées à l'intérieur de la sècheuse. Les bandes métalliques aident à "sentir" la quantité d'humidité restant dans les vêtements au moment de leur passage. S'il reste de l'humidité dans les vêtements, le bouton de commande de programme n'avance pas. Au fur et à mesure du séchage, la quantité d'eau restant dans les vêtements diminue et la minuterie avance pour la suite du programme. Lorsque le degré de séchage sélectionné est atteint, la sècheuse passe à une période de refroidissement d'une durée pouvant aller jusqu'à 10 minutes.

Arrêt et remise en marche

On peut arrêter la sècheuse à tout moment au cours d'un programme.

Pour arrêter la sècheuse

Ouvrir la porte de la sècheuse ou tourner le bouton de commande de programme à OFF.

REMARQUE : Le bouton de commande de programme doit pointer vers une zone d'arrêt Off quand la sècheuse n'est pas utilisée.

Pour remettre la sècheuse en marche

1. Fermer la porte.
2. Sélectionner un nouveau programme et une nouvelle température (si désiré).
3. Appuyer sur la touche START (mise en marche).

Option grille de séchage

Utiliser la grille de séchage pour sécher sans culbutage les articles tels que les chandails et oreillers. Le tambour tourne, mais la grille ne bouge pas.

Si votre modèle n'a pas de grille de séchage, vous pouvez en acheter une. Pour savoir si votre modèle permet l'utilisation d'une grille de séchage et pour obtenir des informations sur les commandes, veuillez consulter la première page de votre manuel ou contacter le vendeur chez qui vous avez acheté votre sècheuse.

REMARQUE : La grille doit être enlevée pour le culbutage normal. Ne pas utiliser le programme automatique avec la grille de séchage.

Utilisation de la grille de séchage

1. Placer la grille de séchage dans la sècheuse.

Style 1 : Votre grille de séchage est munie de pieds à l'avant. Glisser les chevilles à l'arrière dans les alvéoles sur la paroi arrière de la sècheuse. Abaisser les pieds à l'avant pour qu'ils reposent sur l'ouverture de la sècheuse.

Style 2 : Votre grille de séchage n'est pas munie de pieds à l'avant. Ne pas retirer le filtre à charpie. Glisser la grille de séchage par dessus le bas de l'ouverture de la porte de la sècheuse. Appuyer sur la grille pour la fixer en place sur le cadre.

2. Placer les articles mouillés sur la grille de séchage. Laisser de l'espace entre les articles. Ne pas laisser d'article pendre par-dessus le bord de la grille. Fermer la porte.
3. Sélectionner un programme de séchage minuté et une température ou un programme de séchage à l'air. Les articles contenant mousse, caoutchouc ou plastique doivent être séchés sur une corde à linge ou par le programme de séchage à l'air. Se référer au tableau suivant.
4. Mettre la sècheuse en marche. Régler de nouveau le programme pour compléter le séchage, si nécessaire.


Séchage sur grille	Programme	Temp.	Durée
Articles en laine lavables (remettre en forme et étaler à plat sur la grille)	Séchage minuté	Basse	60 min.
Jouets rembourrés ou oreillers (garnis de coton ou de polyester)	Séchage minuté	Basse	60 min.
Jouets rembourrés ou oreillers (rembourrage en caoutchouc mousse)	Air (sans chaleur)	N/A	90 min.

ENTRETIEN DE LA SÉCHEUSE

Nettoyage de l'emplacement de la sécheuse

Éviter de laisser des éléments qui pourraient obstruer le débit de combustion et empêcher une bonne ventilation autour de la sécheuse.

⚠ AVERTISSEMENT



Risque d'explosion

Garder les matières et les vapeurs inflammables, telle que l'essence, loin de la sécheuse.

Placer la sécheuse au moins 46 cm (18 po) au-dessus du plancher pour une installation dans un garage.

Le non-respect de ces instructions peut causer un décès, une explosion ou un incendie.

Nettoyage du filtre à charpie

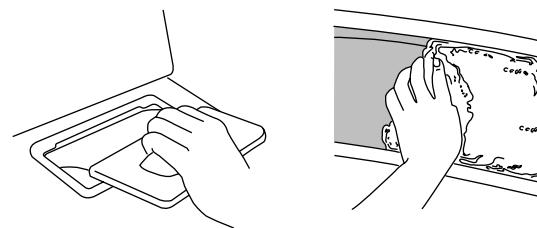
Nettoyer le filtre à charpie avant chaque charge. Un filtre obstrué de charpie peut augmenter le temps de séchage.

IMPORTANT :

- Ne pas faire fonctionner la sécheuse avec un filtre à charpie déplacé, endommagé, bloqué ou manquant. Une telle action peut causer une surchauffe et des dommages à la sécheuse et aux tissus.
- Si de la charpie tombe dans la sécheuse au moment du retrait du filtre, vérifier le conduit d'évacuation et retirer la charpie.

Nettoyage avant chaque charge

1. Le filtre à charpie est situé au sommet de la sécheuse. Tirer le filtre à charpie vers vous. Enlever la charpie du filtre en la roulant avec les doigts. Ne pas rincer ni laver le filtre pour enlever la charpie. La charpie mouillée s'enlève difficilement.



2. Remettre le filtre à charpie en le poussant fermement en place.

Nettoyage au besoin

1. Enlever la charpie du filtre en la roulant avec les doigts.
2. Mouiller les deux côtés du filtre à charpie avec de l'eau chaude.
3. Mouiller une brosse en nylon avec de l'eau chaude et du détergent liquide. Frotter le filtre avec la brosse pour enlever l'accumulation de résidus.
4. Rincer le filtre à l'eau chaude.
5. Bien sécher le filtre à charpie avec une serviette propre. Replacer le filtre dans la sécheuse.

Nettoyage de l'intérieur de la sécheuse

1. Appliquer un nettoyant ménager liquide ininflammable sur la zone tachée du tambour et frotter avec un linge doux jusqu'à ce que la tache s'enlève.
2. Essuyer complètement le tambour avec un linge humide.
3. Faire culbuter une charge de linge ou de serviettes propres pour sécher le tambour.

REMARQUE : Les vêtements contenant des teintures instables, tels que jeans en denim ou articles en coton de couleur vive, peuvent décolorer l'intérieur de la sécheuse. Ces taches ne sont pas nuisibles à votre sécheuse et ne tacheront pas les vêtements des charges futures. Faire sécher les articles fabriqués d'une teinture instable en les tournant à l'envers pour empêcher le transfert de la teinture.

Comment enlever la charpie accumulée

À l'intérieur de la sècheuse

La charpie devrait être enlevée tous les 2 ans, ou plus souvent, selon l'utilisation de la sècheuse. Le nettoyage devrait être effectué par une personne qualifiée.

À l'intérieur du conduit d'évacuation

La charpie devrait être enlevée tous les 2 ans, ou plus souvent, selon l'utilisation de la sècheuse.

Précautions à prendre pour les vacances et avant un déménagement

Période de vacances

On ne doit faire fonctionner la sècheuse que lorsqu'on est présent sur place. Si l'utilisateur doit partir en vacances ou n'utilise pas la sècheuse pendant une période prolongée, il convient d'exécuter les opérations suivantes :

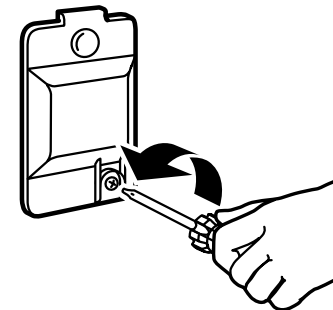
1. Débrancher la sècheuse ou déconnecter la source de courant électrique.
2. Fermer le robinet d'arrêt de la canalisation de gaz.
3. Nettoyer le filtre à charpie. Voir "Nettoyage du filtre à charpie".

Précautions à prendre avant un déménagement

1. Débrancher le cordon d'alimentation électrique.
2. Fermer le robinet d'arrêt de la canalisation de gaz.
3. Débrancher le tuyau de la canalisation de gaz et retirer les raccords fixés sur le tuyau de la sècheuse.
4. Recouvrir la canalisation de gaz ouverte.
5. Veiller à ce que les pieds de nivellement soient fixés solidement à la base de la sècheuse.
6. Utiliser du ruban adhésif pour fixer la porte de la sècheuse.

Changement de l'ampoule du tambour

1. Débrancher la sècheuse ou déconnecter la source de courant électrique.
2. Ouvrir la porte de la sècheuse. Trouver le couvercle de l'ampoule d'éclairage sur la paroi arrière de la sècheuse. Enlever la vis située au coin inférieur droit du couvercle. Enlever le couvercle.



3. Tourner l'ampoule dans le sens antihoraire. Remplacer l'ampoule seulement par une ampoule de 10 watts pour appareil électroménager. Réinstaller le couvercle et le fixer avec la vis.
4. Brancher la sècheuse ou reconnecter la source de courant électrique.

DÉPANNAGE

Essayer d'abord les solutions suggérées ici, ce qui vous évitera peut-être le coût d'une visite de service...

Fonctionnement de la sécheuse

La sécheuse ne fonctionne pas

- **Un fusible est-il grillé ou un disjoncteur s'est-il déclenché?**
Les sécheuses électriques utilisent 2 fusibles ou disjoncteurs. Le tambour peut tourner, mais sans chaleur. Remplacer le fusible ou réenclencher le disjoncteur. Si le problème persiste, appeler un électricien.
- **A-t-on utilisé un fusible ordinaire?**
Utiliser un fusible temporisé.
- **La porte de la sécheuse est-elle bien fermée?**
- **A-t-on bien enfoncé le bouton Start (mise en marche)?**
- **A-t-on sélectionné un programme?**
La sécheuse ne se mettra pas en marche à la position Wrinkle Prevent. Tourner le cadran après OFF (arrêt).

Absence de chaleur

- **Un fusible est-il grillé ou un disjoncteur s'est-il déclenché?**
Le tambour peut tourner, mais sans chaleur. Remplacer le fusible ou réenclencher le disjoncteur. Si le problème persiste, appeler un électricien.
- **Le robinet du conduit d'alimentation en gaz est-il ouvert?**

Bruits inhabituels

- **La sécheuse est-elle restée hors service pendant un certain temps?**
Si la sécheuse n'a pas été utilisée depuis quelque temps, il est possible qu'elle émette des bruits saccadés au cours des premières minutes de fonctionnement.
- **Une pièce de monnaie, un bouton ou un trombone sont-ils coincés entre le tambour et l'avant ou l'arrière de la sécheuse?**
Vérifier les bords avant et arrière du tambour pour voir si de petits objets y sont coincés. Vider les poches avant de faire la lessive.
- **S'agit-il d'une sécheuse à gaz?**
Le dé clic du robinet de gaz est un bruit de fonctionnement normal.
- **Les quatre pieds sont-ils installés et la sécheuse est-elle d'aplomb de l'avant vers l'arrière et transversalement?**
La sécheuse peut vibrer si elle n'est pas correctement installée. Voir les Instructions d'installation.
- **Les vêtements sont-ils emmêlés ou en boule?**
Une charge en boule rebondit, ce qui fait vibrer la sécheuse. Séparer les articles de la charge et remettre la sécheuse en marche.

La minuterie ne progresse pas visiblement

- **Séchage minuté ou séchage à l'air?**
La minuterie progresse lentement et de façon continue au cours de la durée réglée.
- **Séchage automatique?**
La minuterie ne progresse que lorsque le linge est pratiquement sec. Voir "Fonctionnement du programme de séchage automatique" dans "Utilisation de la sécheuse".

Résultats de la sécheuse

Le séchage des vêtements n'est pas satisfaisant, les durées de séchage sont trop longues, la charge est trop chaude

- **Le filtre à charpie est-il obstrué de charpie?**
Le filtre à charpie doit être nettoyé avant chaque charge.

⚠ AVERTISSEMENT



Risque d'incendie

Utiliser un conduit d'évacuation en métal lourd.

Ne pas utiliser un conduit d'évacuation en plastique.

Ne pas utiliser un conduit d'évacuation en feuille de métal.

Le non-respect de ces instructions peut causer un décès ou un incendie.

- **Le conduit d'évacuation ou le clapet d'évacuation à l'extérieur est-il obstrué de charpie, restreignant le mouvement de l'air?**
Faire fonctionner la sécheuse pendant 5 à 10 minutes. Tenir la main sous le clapet d'évacuation à l'extérieur pour vérifier le mouvement de l'air. Si vous ne ressentez pas de l'air en mouvement, nettoyer le système d'évacuation ou remplacer le conduit d'évacuation par un conduit en métal lourd ou flexible en métal. Voir "Instructions d'installation".

- **Des feuilles d'assouplissant de tissus bloquent-elles la grille de sortie?**
Utiliser seulement une feuille d'assouplissant par charge et ne l'utiliser qu'une seule fois.
- **Le conduit d'évacuation a-t-il la longueur appropriée?**
Vérifier que le conduit d'évacuation n'est pas trop long ou ne comporte pas trop de changements de direction. Un long conduit augmentera les durées de séchage. Voir "Instructions d'installation".
- **Le diamètre du conduit d'évacuation a-t-il la taille correcte?**
Utiliser un composant de 4" (10,2 cm) de diamètre.

⚠ AVERTISSEMENT



Risque d'explosion

Garder les matières et les vapeurs inflammables, telle que l'essence, loin de la sècheuse.

Placer la sècheuse au moins 46 cm (18 po) au-dessus du plancher pour une installation dans un garage.

Le non-respect de ces instructions peut causer un décès, une explosion ou un incendie.

- **La sècheuse se trouve-t-elle dans une pièce où la température ambiante est inférieure à 45°F (7°C)?**
Le bon fonctionnement des programmes de la sècheuse nécessite une température ambiante supérieure à 45°F (7°C).
- **La sècheuse est-elle installée dans un placard?**
Les portes du placard doivent comporter des ouvertures d'aération au sommet et en bas de la porte. Un espace minimum de 1" (2,5 cm) est nécessaire sur les côtés et à l'avant de la sècheuse, et un espace de 5" (12,7 cm) est nécessaire à l'arrière de la sècheuse. Voir "Instructions d'installation".
- **A-t-on sélectionné un programme de séchage à l'air?**
Choisir le bon programme pour les types de vêtements à sécher.
- **La charge est-elle trop grosse et trop lourde pour sécher rapidement?**
Séparer la charge pour qu'elle culbute librement.

Temps de programme trop court

⚠ AVERTISSEMENT

Risque du poids excessif

Utiliser deux ou plus de personnes pour déplacer et installer la sècheuse.

Le non-respect de cette instruction peut causer une blessure au dos ou d'autre blessure.

- **Le programme automatique se termine-t-il trop tôt?**
La charge n'est peut-être pas en contact avec les bandes de détection. Régler l'aplomb de la sècheuse.

Modifier le réglage du degré de séchage pour les programmes automatiques. L'augmentation ou la diminution du degré de séchage modifiera la durée de séchage d'un programme.

Charpie sur la charge

- **Le filtre à charpie est-il obstrué?**
Nettoyer le filtre à charpie avant chaque charge. Vérifier le mouvement de l'air.

Taches sur la charge ou sur le tambour

- **L'assouplissant de tissus pour sècheuse a-t-il été utilisé correctement?**
Ajouter les feuilles d'assouplissant de tissus au début du programme. Les feuilles d'assouplissant de tissus ajoutées à une charge partiellement sèche peuvent tacher les vêtements.

Les taches sur le tambour sont dues aux teintures contenues dans les vêtements (les jeans en général). Il n'y aura pas de transfert sur les autres vêtements.

Charges froissées

- **La charge a-t-elle été retirée de la sècheuse à la fin du programme?**
- **La sècheuse a-t-elle été surchargée?**
Faire sécher de plus petites charges qui peuvent culbutter librement.

Odeurs

- **Avez-vous récemment employé peinture, teinture ou vernis dans la pièce où est installée votre sècheuse?**
Si c'est le cas, aérer la pièce. Une fois les odeurs ou émanations disparues, laver et sécher à nouveau les vêtements.

ASSISTANCE OU SERVICE

Avant de faire un appel pour assistance ou service, consulter la section “Dépannage”. Ce guide peut vous faire économiser le coût d’une visite de service. Si vous avez encore besoin d’aide, suivre les instructions ci-dessous.

Lors d’un appel, veuillez connaître la date d’achat, le numéro de modèle et le numéro de série au complet de l’appareil. Ces renseignements nous aideront à mieux répondre à votre demande.

Si vous avez besoin de pièces de rechange

Si vous avez besoin de commander des pièces de rechange, nous vous recommandons d’employer uniquement des pièces spécifiées par l’usine. Les pièces spécifiées par l’usine fonctionneront bien parce qu’elles sont fabriquées avec la même précision que celles utilisées dans la fabrication de chaque nouvel appareil MAYTAG®.

Pour localiser des pièces spécifiées par l’usine dans votre région, composer le numéro de téléphone d’assistance à la clientèle suivant ou appeler le centre de service désigné le plus proche.

Au Canada

Veuillez appeler sans frais le Centre d’interaction avec la clientèle de Whirlpool Canada LP au : **1-800-807-6777**.

Nos consultants vous renseigneront sur les sujets suivants :

- Caractéristiques et spécifications sur toute notre gamme d’appareils électroménagers.
- Consignes d’utilisation et d’entretien.
- Ventes d’accessoires et pièces de rechange.
- Références aux marchands locaux, aux distributeurs de pièces de rechange et aux compagnies de service. Les techniciens de service désignés par Whirlpool Canada LP sont formés pour remplir la garantie des produits et fournir un service après la garantie, partout au Canada.

Pour plus d’assistance

Si vous avez besoin de plus d’assistance, vous pouvez soumettre par écrit toute question ou préoccupation à Whirlpool Canada LP à l’adresse suivante :

Centre d’interaction avec la clientèle
Whirlpool Canada LP
1901 Minnesota Court
Mississauga, Ontario L5N 3A7

Veuillez inclure dans votre correspondance un numéro de téléphone où on peut vous joindre dans la journée.

GARANTIE DES GROS APPAREILS MÉNAGERS MAYTAG CORPORATION

GARANTIE LIMITÉE DE UN AN

Pendant un an à compter de la date d'achat, lorsque ce gros appareil ménager est utilisé et entretenu conformément aux instructions jointes à ou fournies avec le produit, Maytag Corporation ou Maytag Limited (ci-après désignées "Maytag") paiera pour les pièces spécifiées par l'usine et la main-d'oeuvre pour corriger les vices de matériaux ou de fabrication. Le service doit être fourni par une compagnie de service désignée par Maytag. Cette garantie limitée s'applique exclusivement lorsque l'appareil est utilisé dans le pays où il a été acheté.

MAYTAG NE PRENDRA PAS EN CHARGE

1. Les visites de service pour rectifier l'installation du gros appareil ménager, montrer à l'utilisateur comment utiliser l'appareil, remplacer ou réparer des fusibles ou rectifier le câblage ou la plomberie du domicile.
2. Les visites de service pour réparer ou remplacer les ampoules électriques de l'appareil, les filtres à air ou les filtres à eau. Ces pièces consommables ne sont pas couvertes par la garantie.
3. Les réparations lorsque le gros appareil ménager est utilisé à des fins autres que l'usage unifamilial normal.
4. Les dommages imputables à : accident, modification, usage impropre ou abusif, incendie, inondation, actes de Dieu, installation fautive ou installation non conforme aux codes d'électricité ou de plomberie, ou l'utilisation de produits non approuvés par Maytag.
5. Toute perte d'aliments due à une défaillance du réfrigérateur ou du congélateur.
6. Le coût des pièces de rechange et de la main-d'oeuvre pour les appareils utilisés hors des États-Unis ou du Canada.
7. Le ramassage et la livraison. Ce gros appareil ménager est conçu pour être réparé à domicile.
8. Les réparations aux pièces ou systèmes résultant d'une modification non autorisée faite à l'appareil.
9. Les frais de transport pour le service d'un produit dans les régions éloignées.
10. La dépose et la réinstallation de votre appareil si celui-ci est installé dans un endroit inaccessible ou n'est pas installé conformément aux instructions d'installation fournies.
11. Le coût des pièces de rechange et de la main-d'oeuvre lorsque l'appareil est utilisé dans un pays autre que le pays où il a été acheté.

CLAUSE D'EXONÉRATION DE RESPONSABILITÉ AU TITRE DES GARANTIES IMPLICITES; LIMITATION DES RECOURS

LE SEUL ET EXCLUSIF RECOURS DU CLIENT DANS LE CADRE DE LA PRÉSENTE GARANTIE LIMITÉE CONSISTE EN LA RÉPARATION PRÉVUE CI-DESSUS. LES GARANTIES IMPLICITES, Y COMPRIS LES GARANTIES APPLICABLES DE QUALITÉ MARCHANDE ET D'APTITUDE À UN USAGE PARTICULIER, SONT LIMITÉES À UN AN OU À LA PLUS COURTE PÉRIODE AUTORISÉE PAR LA LOI. MAYTAG N'ASSUME AUCUNE RESPONSABILITÉ POUR LES DOMMAGES FORTUITS OU INDIRECTS. CERTAINES JURIDICTIONS NE PERMETTENT PAS L'EXCLUSION OU LA LIMITATION DES DOMMAGES FORTUITS OU INDIRECTS, OU LES LIMITATIONS DE LA DURÉE DES GARANTIES IMPLICITES DE QUALITÉ MARCHANDE OU D'APTITUDE À UN USAGE PARTICULIER, DE SORTE QUE CES EXCLUSIONS OU LIMITATIONS PEUVENT NE PAS S'APPLIQUER DANS VOTRE CAS. CETTE GARANTIE VOUS CONFÈRE DES DROITS JURIDIQUES SPÉCIFIQUES ET VOUS POUVEZ ÉGALEMENT JOUIR D'AUTRES DROITS QUI PEUVENT VARIER D'UNE JURIDICTION À UNE AUTRE.

À l'extérieur du Canada et des 50 États des États-Unis, cette garantie ne s'applique pas. Contacter votre marchand Maytag autorisé pour déterminer si une autre garantie s'applique.

Si vous avez besoin de service, voir d'abord la section "Dépannage" du Guide d'utilisation et d'entretien. Après avoir vérifié la section "Dépannage", de l'aide supplémentaire peut être trouvée en vérifiant la section "Assistance ou service" ou en appelant Maytag. Aux É.-U., composer le **1-800-688-9900**. Au Canada, composer le **1-800-807-6777**.

9/06

Conservez ce manuel et votre reçu de vente ensemble pour référence ultérieure. Pour le service sous garantie, vous devez présenter un document prouvant la date d'achat ou d'installation.

Inscrivez les renseignements suivants au sujet de votre gros appareil ménager pour mieux vous aider à obtenir assistance ou service en cas de besoin. Vous devrez connaître le numéro de modèle et le numéro de série au complet. Vous trouverez ces renseignements sur la plaque signalétique située sur le produit.

Nom du marchand _____

Adresse _____

Numéro de téléphone _____

Numéro de modèle _____

Numéro de série _____

Date d'achat _____

W10088779A

© 2007

All rights reserved.

Todos los derechos reservados.

Tous droits réservés.

MAYTAG and the "M" Symbol are registered trademarks of Maytag Limited in Canada.

MAYTAG y el símbolo "M" son marcas registradas de Maytag Limited en Canadá.

MAYTAG et le symbole "M" sont des marques déposées de Maytag Limited au Canada.

All other marks are trademarks of Maytag Corporation or its related companies.

Todas las otras marcas son marcas de comercio de Maytag Corporation o sus compañías asociadas.

Toutes les autres marques sont des marques de commerce de Maytag Corporation ou de ses compagnies affiliées.

4/07

Printed in U.S.A.

Impreso en EE.UU.

Imprimé aux É.-U.