

Bulletin



Comm. Microwave	Dehumidifier	Dishwasher
Dom. Microwave	Export Comm.	Heating Product
√ Laundry Product	PTAC Products	Range Product
Refrigerator/Fzr	Room Air Cond.	

Date May 31, 2000
No ASQ-227-S
Page 1 of 3

Type Parts Manual Update
Policy Letter
√ Service Information

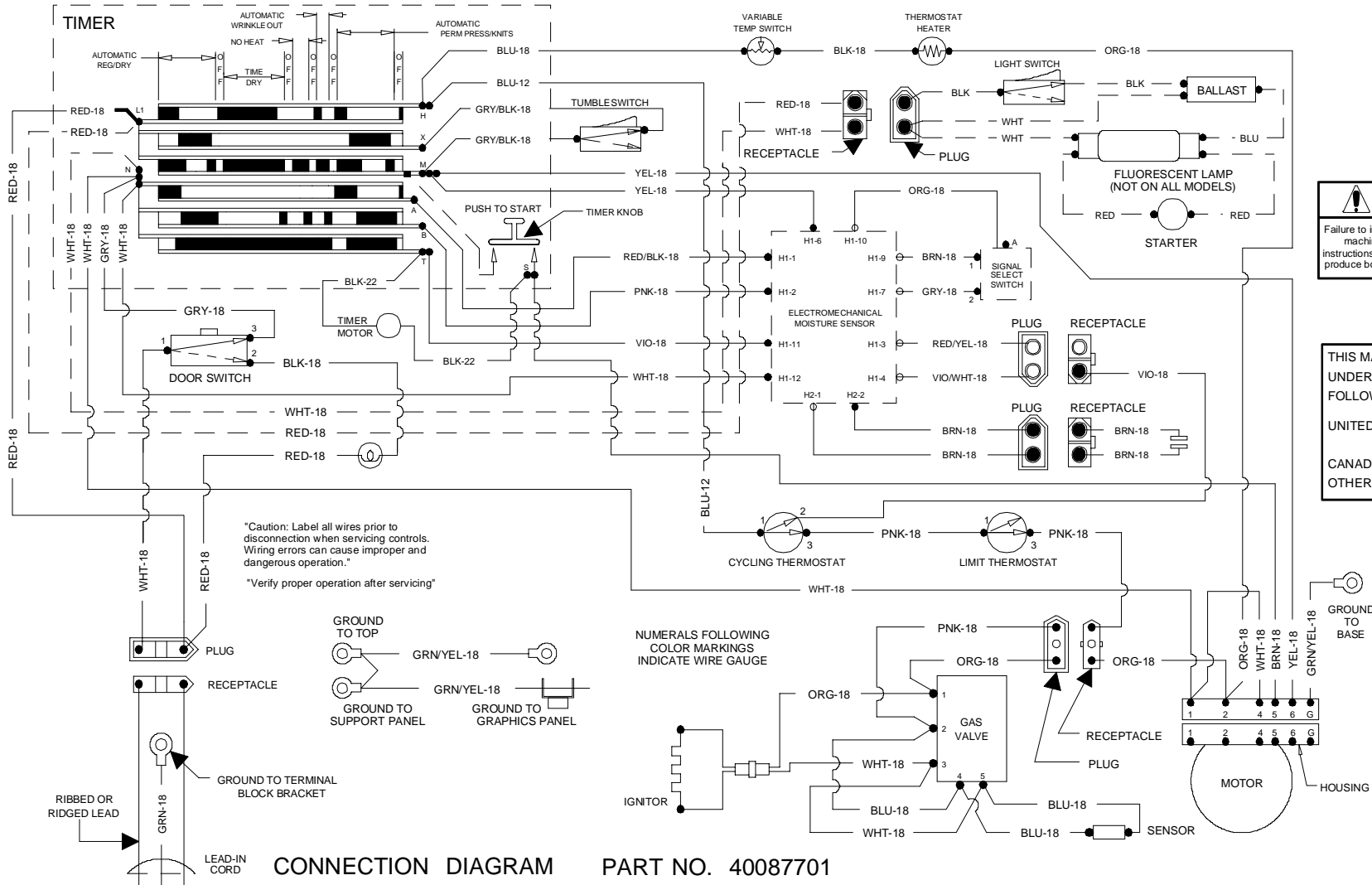
Attention √ Service Managers
Service and Parts Managers

Models ALG866SAC, ALG866SAW, ALG665SAC, ALG665SAW, ALG565SAC, and ALG565SAW
Amana dryers

Issue Incorrect Schematic

Action Early production ALG866SAC, ALG866SAW, ALG665SAC, ALG665SAW, ALG565SAC, and ALG565SAW Amana dryers were produced with incorrect connection diagram/schematics. The terminals are mislabeled on the schematics.

Attached is the correct connection diagram/schematic.



WARNING

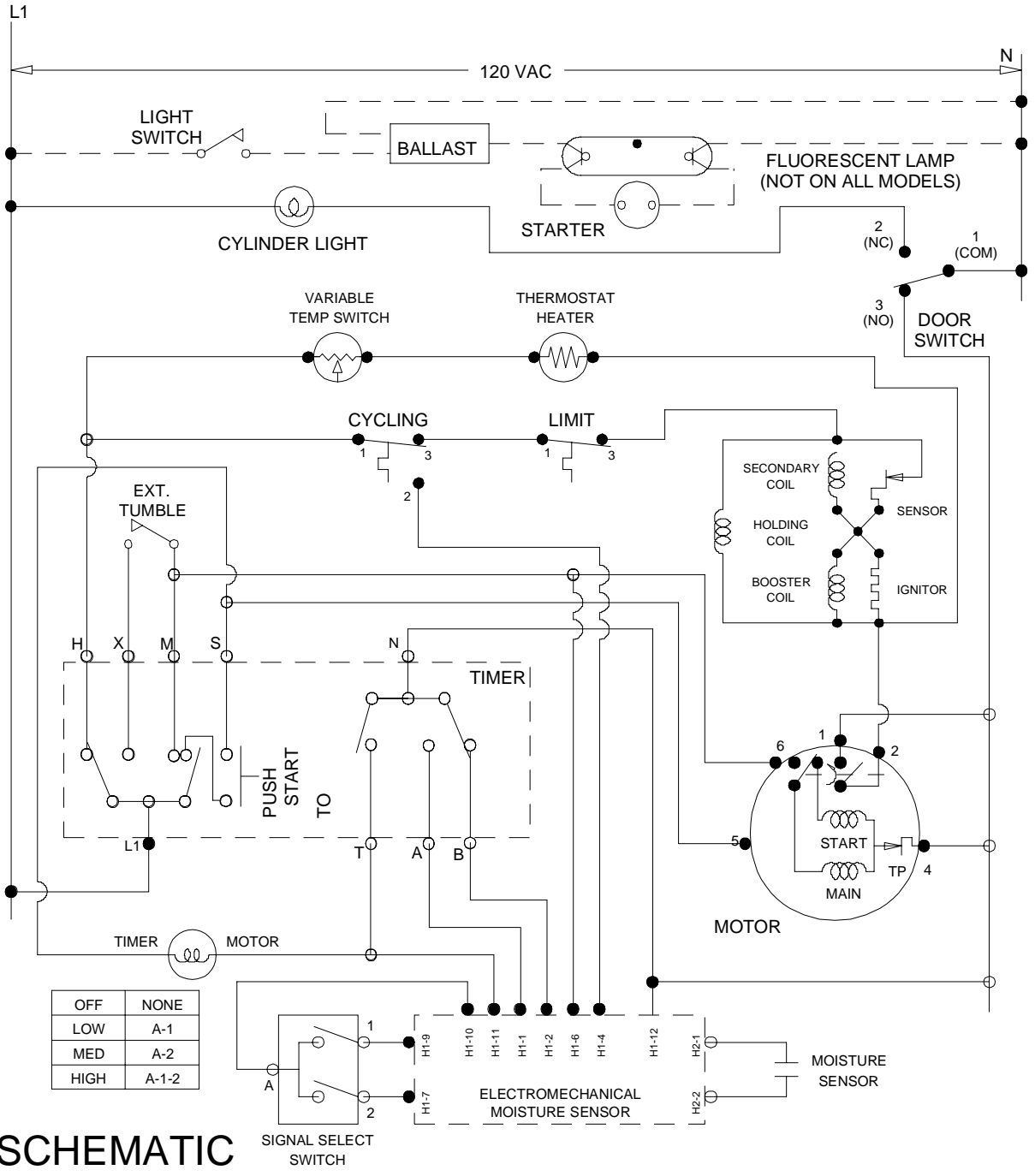
Failure to install, maintain, and/or operate this machine according to manufacturer's instructions may result in conditions which can produce bodily injury and/or property damage.

THIS MACHINE MANUFACTURED UNDER ONE OR MORE OF THE FOLLOWING PATENTS:

UNITED STATES NO: 5,113,562
5,257,448

CANADIAN NO:
OTHER PATENTS PENDING

CONNECTION DIAGRAM PART NO. 40087701



SCHEMATIC