

# Bulletin



Comm. Microwave	Dehumidifier	Dishwasher
Dom. Microwave	Export Comm.	Heating Product
• <b>Laundry Product</b>	PTAC Products	Range Product
Refrigerator/Fzr	Room Air Cond.	

**Date** June 30, 2000  
**No** ASQ-229-B  
Page 1 of 1

**Type** Parts Manual Update  
Policy Letter  
• Service Information

**Attention** Service Managers  
• Service and Parts Managers

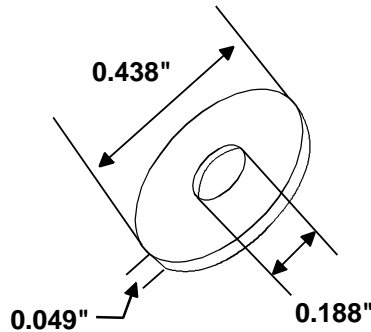
**Models** ALW series Washers

**Issue** Pump motor spacers

**Cause** Motor shaft length

**Action** ALW series Washers (serial number 0005199373 to 0005245687) were produced with spacers between the motor and the three plastic pump legs.

The spacers were used, because of motor shaft length on these models. Make certain to reinstall the spacers whenever replacing the pump. The part number for spacer is 40108601. If the motor is replaced on these models, the spacers will not be needed.



These washers also have a label notice on the motor mount bracket.

**NOTICE:**

---

**ENSURE THAT PUMP  
MOTOR SPACERS  
ARE INSTALLED  
ON MOTOR.**