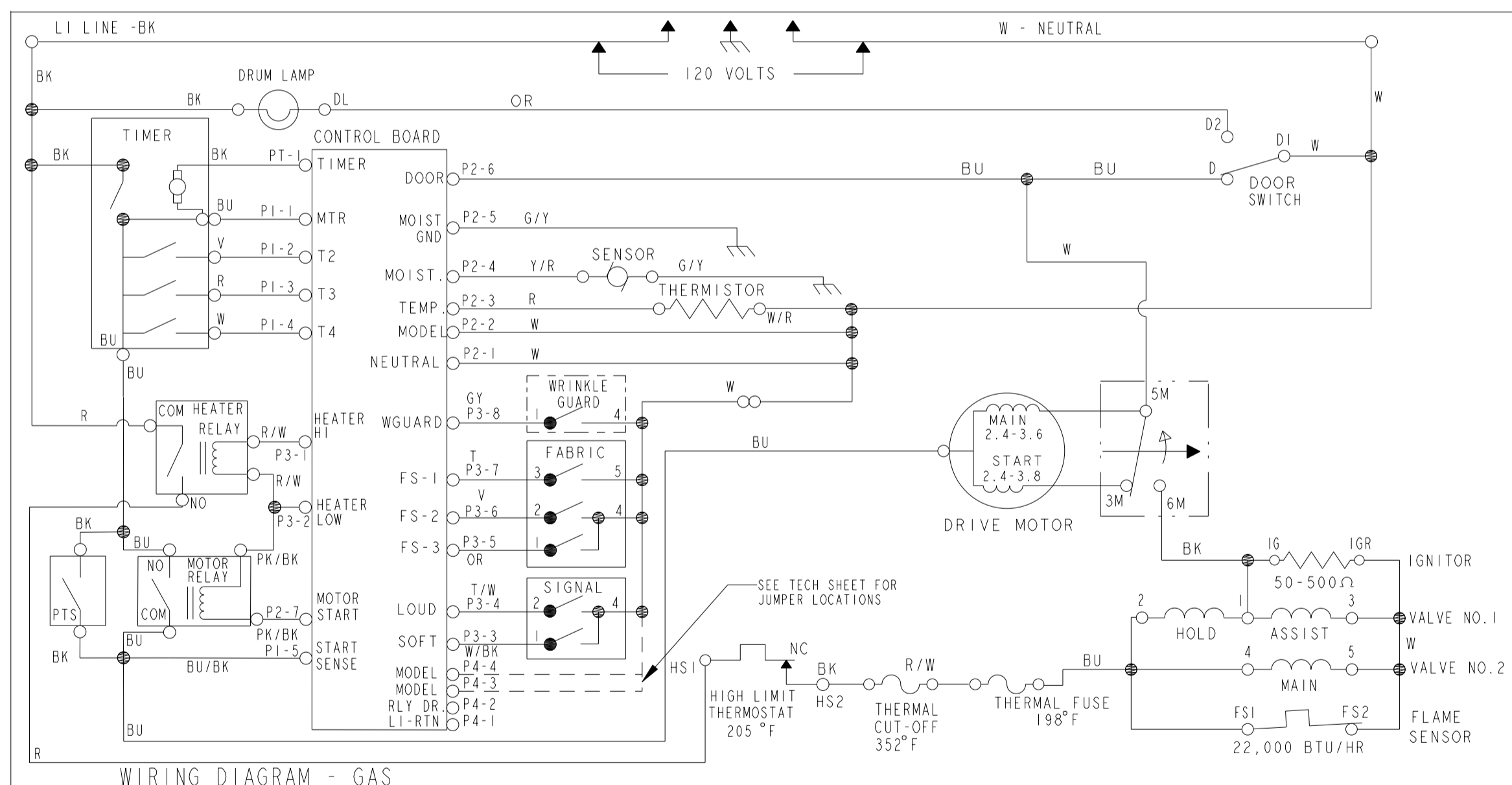
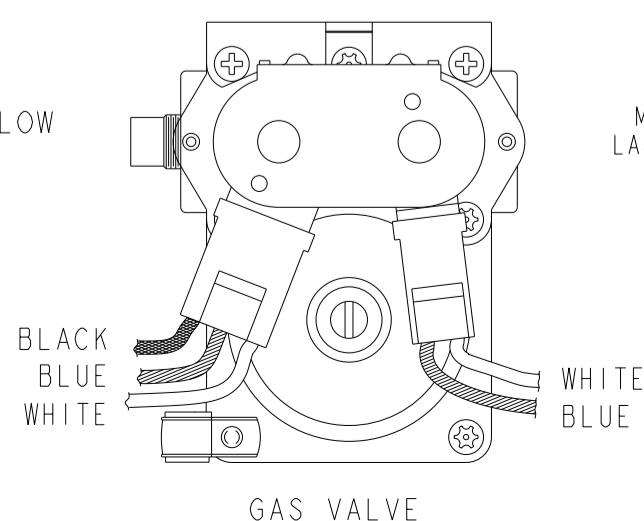
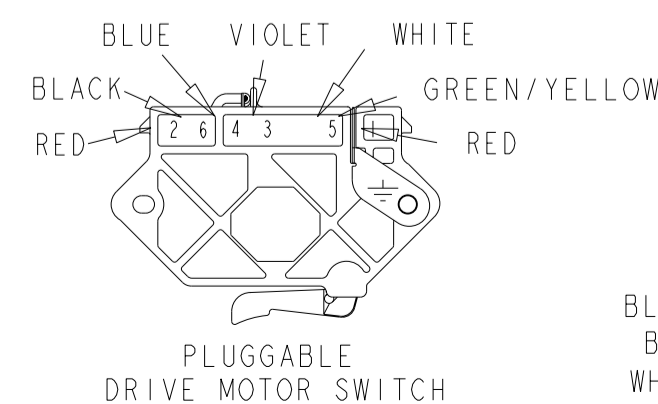


WIRING DIAGRAM - ELECTRIC



WIRING DIAGRAM - GAS



FABRIQUE SOUS UN OU PLUSIEURS
DES BREVETS CANADIENS SUIVANTS:
1273387, 1315539, 2016304

MANUFACTURADO BAJO UNA O MAS DE
LAS SIGUIENTES PATENTES MEXICANAS:
189136

MANUFACTURED UNDER ONE OR MORE
OF THE FOLLOWING US PATENTS:
4669200 4700495 4754556 4840285
4865366 4899464 4908959 4989347
5066050 5560120 5809828 6020698
6047486 6199300 6446357 6604298
D314261 D314262 D457991 D457992

CAUTION: LABEL ALL WIRES PRIOR TO
DISCONNECTION WHEN SERVICING CONTROLS.
WIRING ERRORS CAN CAUSE IMPROPER AND
DANGEROUS OPERATION.
VERIFY PROPER OPERATION AFTER SERVICING.

PART NO. 3406666 REV A

TABLE 1:
END-OF-CYCLE SWITCH

SWITCH POSITION	CONTACTS		FUNCTION
	1	2	
45 DEG	O	O	OFF
90 DEG	X	O	SOFT EOC
135 DEG	O	X	LOUD EOC
O=OPEN X=CLOSED			

TABLE 2:
WRINKLE GUARD SWITCH

SWITCH POSITION	CONTACTS		FUNCTION
	OPEN	CLOSED	
60 DEG	OPEN	CLOSED	WRINKLE GUARD OFF
120 DEG	CLOSED	CLOSED	WRINKLE GUARD ON

TABLE 3A:
FABRIC SELECT SWITCH

SWITCH POSITION	CONTACTS			FUNCTION
	3	2	1	
0 DEG	O	O	O	AIR FLUFF
45 DEG	O	O	X	DELICATE
90 DEG	O	X	O	KNITS
135 DEG	O	X	X	PERM PRESS
180 DEG	X	O	O	COTTON
O=OPEN X=CLOSED				

TABLE 3B:
FABRIC SELECT SWITCH

SWITCH POSITION	CONTACTS			FUNCTION
	3	2	1	
39 DEG	X	X	O	RSVR LOW
90 DEG	O	O	O	AIR FLUFF
141 DEG	O	O	X	LOW
193 DEG	O	X	O	MED
244 DEG	O	X	X	HIGH
296 DEG	X	O	O	RSVR HIGH
347 DEG	X	O	X	RSVR MED
O=OPEN X=CLOSED				

OR

TABLE 4:
TIMER ENCODING

TIMED DRY MODE					
CONTACT	TIMER	COOL DOWN	WRINKLE GUARD	OFF	
PI-4	O	O	O	O	
PI-3	X	X	O	O	
PI-2	O	X	X	O	
PI-1	X	X	X	O	
AUTOMATIC DRY MODE					
CONTACT	MORE DRY	NORM DRY	DAMP DRY	WRINKLE GUARD	OFF
PI-4	X	X	O	O	O
PI-3	O	O	O	O	O
PI-2	X	O	O	X	O
PI-1	X	X	X	X	O
O=OPEN X=CLOSED					

NOTES:

1. DIAGRAM SIZE TO BE 216 X 280. FOLDED TO 108 X 70 WITH PRINT OUTSIDE AND PART NUMBER VISIBLE
2. PRINTING TO BE BLACK ON WHITE BACKGROUND.
3. MATERIAL: 60 LB. WHITE RECYCLED OFFSET PAPER.
4. REVISIONS REQUIRE CODES APPROVAL.
5. ORIGINAL MODELS GEW98585 (ELEC.) AND GGW98585 (GAS).
6. REFER TO TABLES 1-4 FOR SWITCH AND TIMER CONTACT POSITIONS
7. DASHED LINES INDICATE OPTIONAL COMPONENTS.