

TIMER SWITCH #13-SPRAY

MANUFACTURED UNDER ONE OR MORE OF THE FOLLOWING UNITED STATES PATENTS:

DES. 268,183 3,854,308 4,003,613 4,262,870
 3,576,117 3,856,036 4,005,882 4,268,098
 3,636,734 3,863,467 4,068,503 4,288,671
 3,681,947 3,880,188 4,118,957 4,291,556
 3,696,970 3,884,493 4,129,018 4,306,841
 3,744,418 3,939,674 4,163,457 4,324,035
 3,798,931 3,953,146 4,164,130 4,357,813
 3,798,932 3,987,508 4,174,622 4,366,902
 3,818,729 3,987,651 4,254,640 4,430,871
 3,847,812 4,000,631 4,254,641 4,432,528

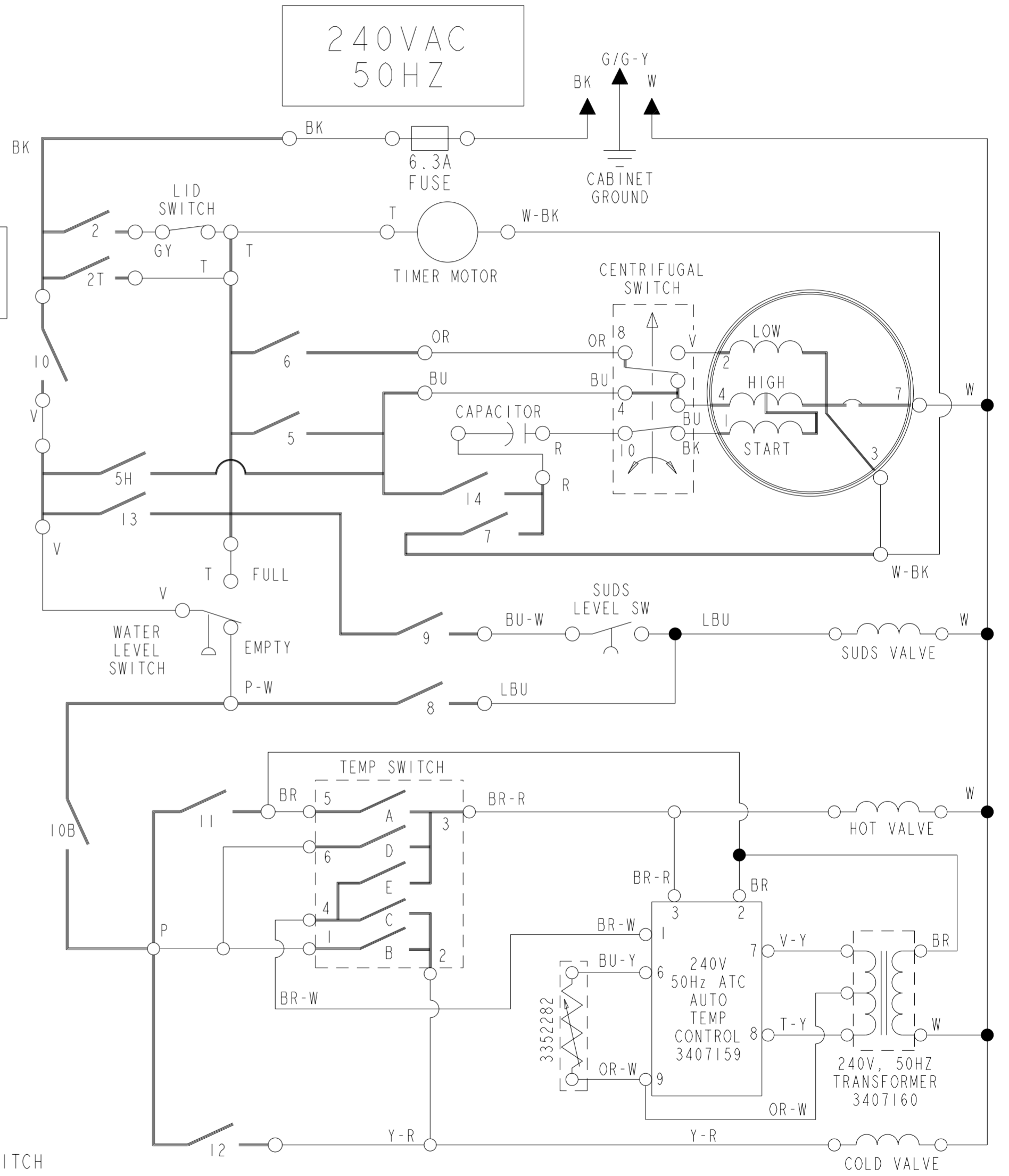
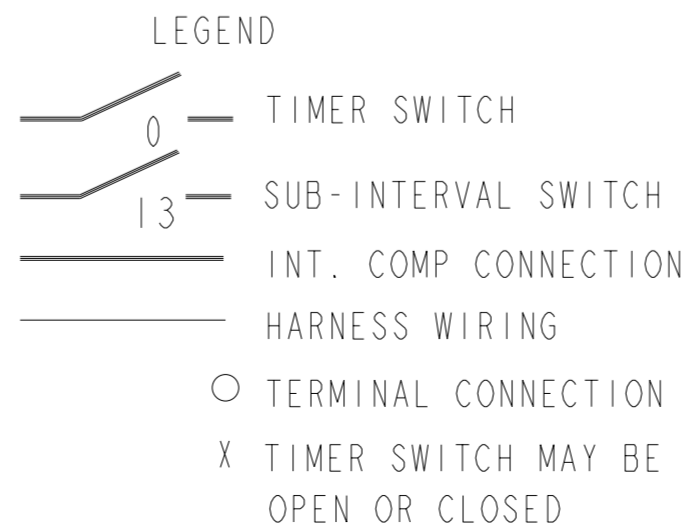
PART NO. NUMERO DE PIECE NUMERO DE PIEZA	REV REVISION REVISION
3954086	C

STEP	STEP ANGLE - DEGREES														SW	CAM
	14		12		10		8		6		4		2			
	T	B	T	B	T	B	T	B	T	B	T	B	T	B	T	B
2																
4																
6																
8																
10																
12																
14																
16																
18																
20																
22																
24																
26																
28																
30																
32																
34																
36																
38																
40																
42																
44																
46																
48																
50																
52																

◆ INDICATES MOTOR "OFF"

STEP	MACHINE FUNCTION		
2	FILL-AGITATE HI	WASH HI	SUPER WASH
4			
6	FILL-AGITATE	WASH HI	
8			
10			
12	SUDS STORE	DRAIN HI	REGULAR
14		SPIN HI	
16	FILL-AGITATE	RINSE HI	
18		DRAIN HI	
20	SPRAY	SPIN HI	
22	OFF		
24	FILL-AGITATE	WASH HI	PERMANENT PRESS
26			
28	FILL-AGITATE	WASH LO	
30	1/2 TUB DRAIN HI	COOL DOWN	
32	FILL-AGITATE LO		
34	SUDS STORE	DRAIN HI	
36		SPIN LO	
38	FILL-AGITATE	RINSE LO	
40		DRAIN HI	
42	OFF		
44	FILL-AGITATE	WASH HI	PRE WASH
46	SUDS STORE	DRAIN HI	
48		SPIN HI	
50	OFF		
52	AGITATE LO	SUDS RETURN	
	OFF		

TIMER KNOB PUSH-OFF
ALL TIMER SWITCHES OPEN



TEMPERATURE SWITCH CHART				
SWITCH	A	B	C	E
WASH ONLY	CC	X		X
ATC	WC	X	X	
NON ATC	HC	X		