

PART NO
3956127

IF VALUES ARE OUTSIDE OF RANGE LISTED,
REPLACE DEFECTIVE SOLENOID.

COIL RESISTANCE VALUES		
FRESH SOLENOID	=800-1200 Ohms	WH/TN TO WH/BU
BLEACH SOLENOID	=800-1200 Ohms	WH TO LBU
FABRIC SOLENOID	=800-1200 Ohms	WH TO OR/BK
DETERGENT SOLENOID	=800-1200 Ohms	WH/TN TO PK/BK
HOT VALVE SOLENOID	=800-1200 Ohms	WH TO TN/RD
COLD VALVE SOLENOID	=800-1200 Ohms	WH TO YL/RD
DRAIN RECIRCULATION SOLENOID	= NA	WH TO WH/RD
OFF BALANCE COIL	=1.2 Ohms	GY TO GY/WH
MOTOR START MODULE	=NA	

NOTE: OFF BALANCE COIL READ WHEN SWITCH OPEN.

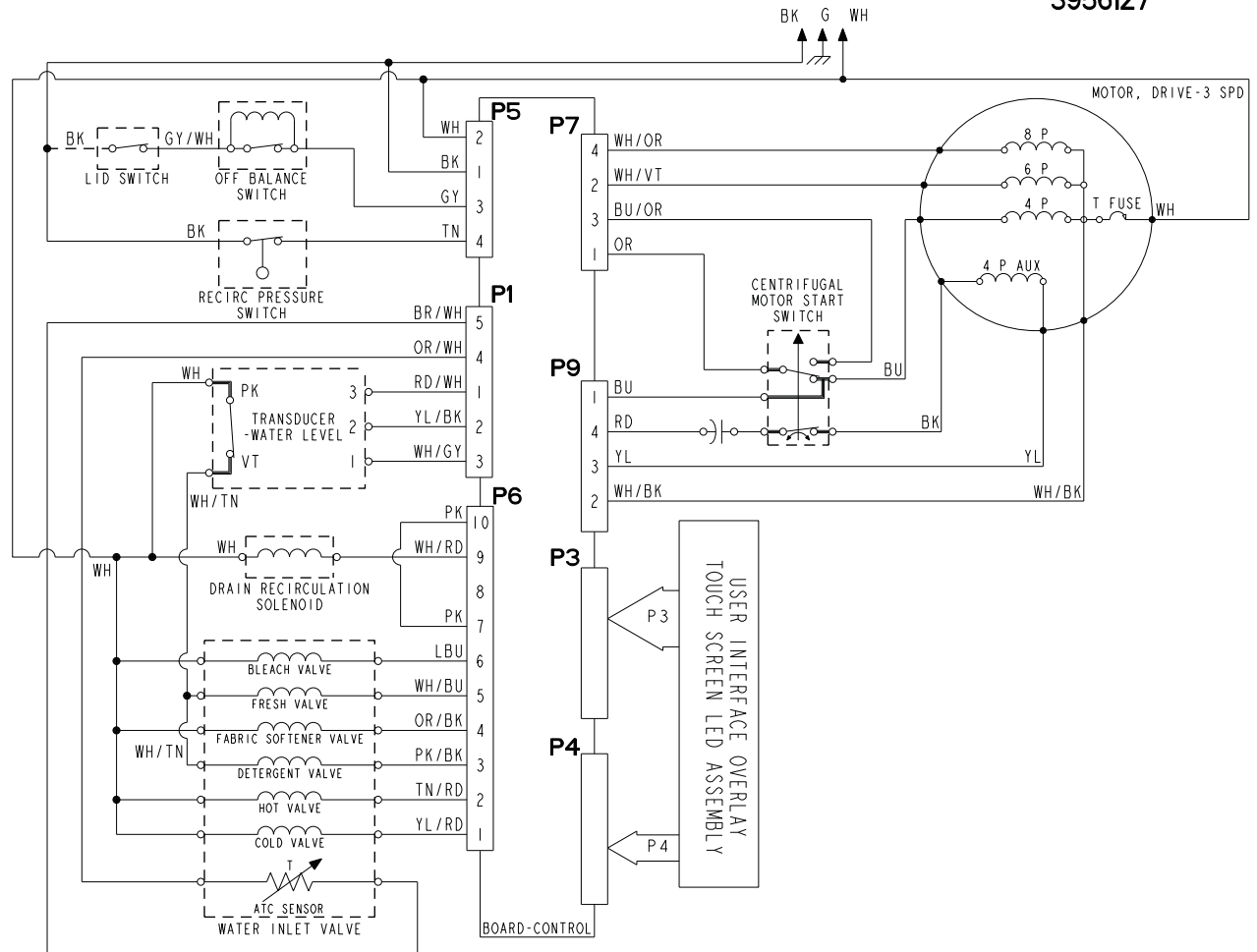
MOTOR WINDING	RESISTANCE AT MOTOR
8 POLE	WH/BK TO WH/OR 2.9 Ohms
6 POLE	WH/BK TO WH/VT 2.1 Ohms
4 POLE	WH/BK TO BU 1.3 Ohms
4 POLE AUX	YL TO BK 4.8 Ohms

PART NO & ELECT COMPONENTS KEY:

- 8271375 OR 8526076 BOARD-CONTROL
- 8054980 LID SWITCH
- 8299559 TRANSDUCER-WATER LEVEL
- 3948063 CORD-POWER
- 8529935 MOTOR, DRIVE-3 SPD
- 3348058 CAPACITOR-MOTOR
- 8054764 RECIRCULATION PRESSURE SWITCH
- 3358559 DRAIN RECIRCULATION SOLENOID
- 8271904 INLET DIVERTER VALVE WITH ATC SENSOR
- 8055322 OFF BALANCE SWITCH
- 8274276 KEYSWITCH WHITE
- 8274277 KEYSWITCH BISQUIT

SOFTWARE COPYRIGHTED
MANUFACTURED UNDER ONE
OR MORE OF THE FOLLOWING
UNITED STATES PATENTS:

4,254,640	4,366,902	4,566,295	4,700,554
4,254,641	4,387,580	4,572,596	4,715,401
4,262,870	4,430,871	4,618,193	4,715,402
4,268,098	4,432,528	4,624,117	4,719,769
4,288,671	4,491,210	4,643,350	4,754,622
4,291,556	4,495,960	4,646,545	4,809,524
4,306,841	4,533,126	4,656,844	5,493,745
4,324,035	4,545,947	4,656,847	
4,357,813	4,555,919	4,692,987	



SI LA VALEUR MESUREE N'EST PAS DANS LA FOURCHETTE DE TOLERANCE
INDIQUEE, REMPLACER L'ELECTROVANNE DEFECTUEUSE.

RESISTANCE DES ELECTROVANNES		
ELECTROVANNE-FRAICHEUR	=800-1200 ohms	WH/TN-WH/BU
ELECTROVANNE-BLANCHIMENT	=800-1200 ohms	WH-LBU
ELECTROVANNE-TISSU	=800-1200 ohms	WH-OR/BK
ELECTROVANNE-DETERGENT	=800-1200 ohms	WH/TN-PK/BK
ELECTROVANNE-CHAUD	=800-1200 ohms	WH-TN/RD
ELECTROVANNE-FROID	=800-1200 ohms	WH-YL/RD
ELECTROVANNE-VIDANGE TISSU	=NA	WH-WH/RD
BOBINE-DESEQUILIBRE	=1.2 ohms	GY-GY/WH
MOTEUR DEMARRAGE MODULE	=NA	

NOTE: POUR LA MESURE SUR LA BOBINE DESEQUILIBRE, LE
COMMUTEUR DOIT ETRE OUVERT.

BOBINAGE DU MOTEUR	RESISTANCE SUR LE MOTEUR
8 POLES	WH/BK-WH/OR 2.9 ohms
6 POLES	WH/BK-WH/VT 2.1 ohms
4 POLES	WH/BK-BU 1.3 ohms
4 POLES AUX	YL-BK 4.8 ohms

THIS PRODUCT IS COVERED BY ONE OR
MORE THE FOLLOWING CANADIAN PATENTS:
CE PRODUIT EST COUVERT PAR UN DU PLUS
DES BREVETS CANADIENS SUIVANTS:

1.022.764 1.128.597 1.244.255
1.115.977 1.131.928 1.264.080
1.117.778 1.160.855 1.274.701
1.121.789 1.199.201 1.287.338
1.126.536 1.199.202 1.290.161
1.128.596 1.237.291 1.298.988

No DE PIECE	REPERAGE DES PIECES	DESCRIPTION
8271375 OR 8526076		CARTE-CIRCUITS DE COMMANDE
8054980		COMMUTEUR - COUVERCLE
8299559		TRANSDUCTEUR - NIVEAU D'EAU
3948063		CORDON D'ALIMENTATION
8529935		MOTEUR-TRANSMISSION, 3 VITESSES
3348058		CONDENSATEUR - MOTEUR
8054764		MANOCOMMUTEUR-RECIRCULATION
3358559		ELECTROVANNE VIDANGE-RECIRCULATION
8271904		VANNE D'ENTREC/DIVERSION, AVEC CAPTEUR ATC
8055322		INTERRUPTEUR BALANCEZ ARRET
8274276		CLE' INTERRUPTEUR BLANC
8274277		CLE' INTERRUPTEUR BISQUIT

NUMER DE PIECE
3956127

