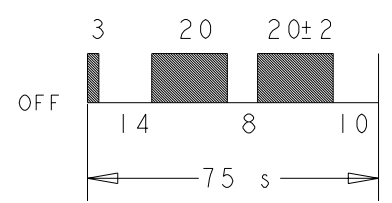


NOTE: NOT ALL CYCLES SHOWN ARE PRESENT IN THE WASHER, ONLY THE CYCLES SHOWN ON THE FRONT CONTROL PANEL.



SUB-INTERVAL ON LINE 7 (S.I.S.) SPIN FUNCTION

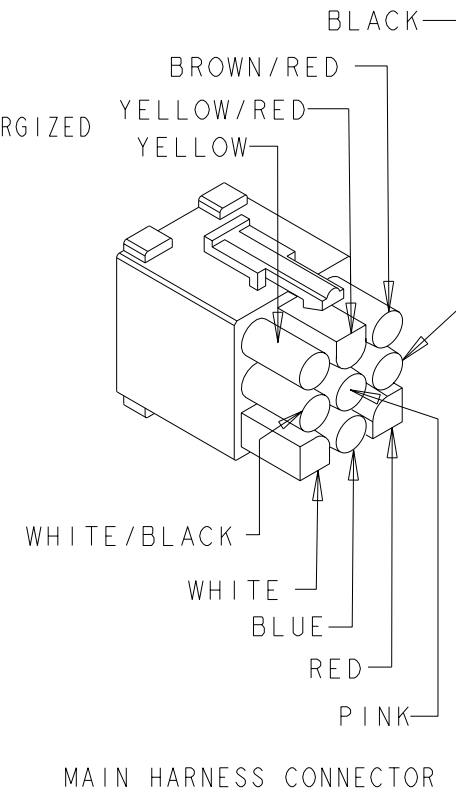
MANUFACTURED UNDER ONE OR MORE OF THE FOLLOWING UNITED STATES PATENTS

- D 268,183 3,854,308 4,003,613 4,254,640 4,432,528
- 3,576,117 3,856,036 4,005,882 4,254,641 4,452,054
- 3,636,734 3,863,467 4,068,503 4,262,870 4,491,210
- 3,678,714 3,880,188 4,118,957 4,268,098 4,495,960
- 3,681,947 3,884,493 4,129,018 4,288,671 4,520,638
- 3,696,970 3,939,674 4,137,736 4,291,556 4,545,947
- 3,774,418 3,953,146 4,137,737 4,306,841 4,566,295
- 3,798,931 3,987,508 4,155,228 4,324,035 4,715,401
- 3,798,932 3,987,651 4,163,457 4,357,813 4,715,402
- 3,818,729 3,987,652 4,164,130 4,366,902 4,719,770
- 3,847,812 4,000,631 4,174,622 4,430,871

AND RELATED FOREIGN PATENTS ADDITIONAL APPLICATIONS PENDING.

THIS PRODUCT IS COVERED BY ONE OR MORE OF THE FOLLOWING CANADIAN PATENTS:

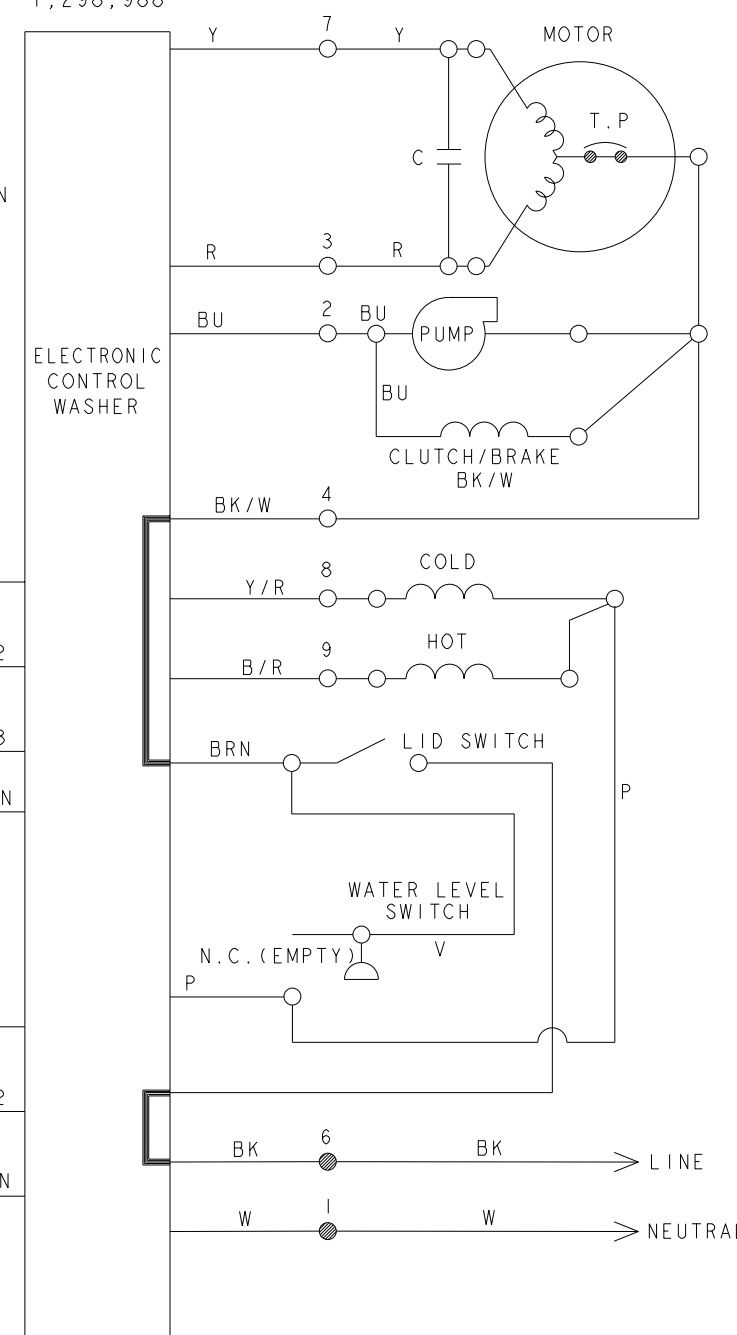
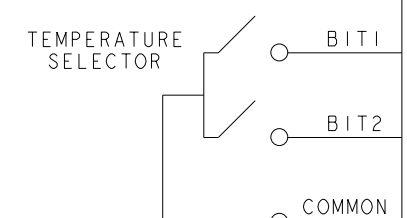
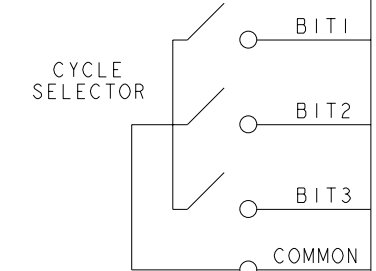
- 1,022,764 1,115,977 1,117,778 1,121,789
- 1,125,045 1,126,536 1,128,596 1,128,597
- 1,131,928 1,160,855 1,162,757 1,199,201
- 1,199,202 1,237,291 1,244,255 1,264,080
- 1,274,701 1,275,820 1,287,338 1,290,161
- 1,298,988



MAIN HARNESS CONNECTOR

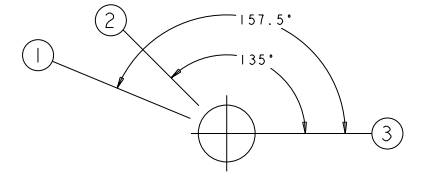
LEGEND

- INT. COMP. CONNECTION
- HARNESS WIRING
- TERMINAL CONNECTION
- HARNESS WIRE SPLICE



SWITCH LOGIC OF CYCLE SELECTOR AND TEMP. SELECTOR

BIT No	POSITION No							
	1	2	3	4	5	6	7	8
1								
2								
3								
SHAFT FLAT LOC. C.W.	0	45	90	135	180	225	270	315

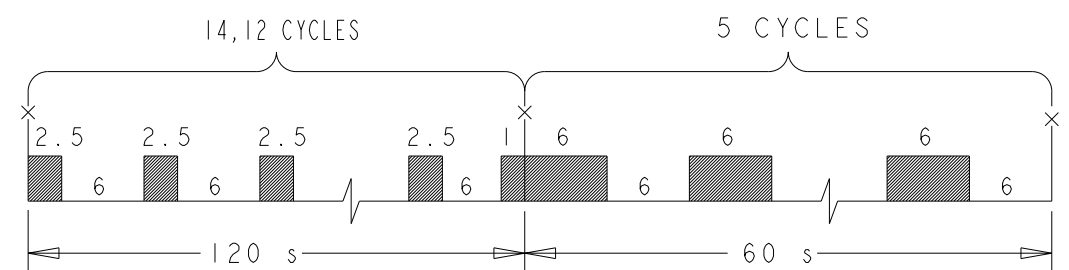


- KNOB POINTER AT 0°
- ① 4 TEMP. SELECTOR
- ② 3 TEMP. SELECTOR
- ③ CYCLE SELECTOR

INDICATES CONNECTION TO COMMON THE CYCLE SELECTOR AND TEMPERATURE SELECTOR HANDLE - 5 V

CYCLE SELECTOR	POS. No	SEPARATION ANGLE	USABLE POS.
			8
TEMP. SELECTOR	4	45	1, 2, 3, 4
	3	45	1, 2, 3

TEMP. SELECTOR	
POS. No	TEMP. WASH/RINSE
1	C/C
2	W/C
3	H/C
4	W/W



S.I.S. SPECIAL

CONNECTOR WIRE LOCATION	WIRE COLOR									FUNCTION LED INDICATION	MACHINE FUNCTION	CYCLE				
	1	2	3	6	7	8	9	T	P							
WIRE COLOR	W	BU	R	BK	Y	Y/R	B/R	T	P							
LINE NAME	NEUTRAL	PUMP/SPIN	MOTOR 1	LINE	MOTOR 2	COLD SOLENOID	HOT SOLENOID	LID SWITCH	P. SWITCH N.O. (FULL)	P. SWITCH N.O. (EMPTY)	WASH	RINSE	SPIN			
														OFF		
														P2	FILL WARM/HOT/COLD	SUPER WASH
														18	AGITATE HIGH RATE	
														4	DRAIN	
														1,25	S.I.S.	
														2	SPIN	
														1	COAST DOWN & DRAIN	
														P2	FILL COLD/WARM	
														4	AGITATE HIGH RATE	
														4	DRAIN	
														1,25	S.I.S.	
														4	SPIN	
														1	COAST DOWN & DRAIN	
														P2	FILL WARM/HOT/COLD	COTTONS (NORMAL)
														*	AGITATE HIGH RATE	
														4	DRAIN	
														1,25	S.I.S.	
														2	SPIN	
														1	COAST DOWN & DRAIN	
														P2	FILL COLD/WARM	
														4	AGITATE HIGH RATE	
														4	DRAIN	
														1,25	S.I.S.	
														4	SPIN	
														1	COAST DOWN & DRAIN	
														P2	FILL WARM/HOT/COLD	PERMANENT PRESS
														*	AGITATE HIGH RATE	
														P1	1/2 TUB DRAIN	
														P2	FILL COLD	
														2	AGITATE NORMAL RATE	
														4	DRAIN	
														1,25	S.I.S.	
														1	COAST DOWN & DRAIN	
														P2	FILL COLD/WARM	
														4	AGITATE HIGH RATE	
														4	DRAIN	
														1,25	S.I.S. (TWO TIMES)	
														1	COAST DOWN & DRAIN	
														P2	FILL WARM/HOT/COLD	DELICATES (KNITS/GENTLE)
														*	AGITATE LOW RATE	
														4	DRAIN	
														1,25	S.I.S.	
														1	COAST DOWN & DRAIN	
														P2	FILL COLD/WARM	
														4	AGITATE LOW RATE	
														4	DRAIN	
														2,5	S.I.S. (TWO TIMES)	
														1	COAST DOWN & DRAIN	
														P2	FILL WARM/HOT/COLD	SOAK PREWASH
														2	AGITATE HIGH RATE	
														8	SOAK	
														2	AGITATE HIGH RATE	
														8	SOAK	
														2	AGITATE HIGH RATE	
														8	SOAK	
														4	DRAIN	
														1,25	S.I.S.	
														2	SPIN	
														1	COAST DOWN & DRAIN	
														P2	FILL WARM/HOT/COLD	HAND WASH
														6	AGITATE SR	
														4	DRAIN	
														1,25	S.I.S.	
														1	COAST DOWN & DRAIN	
														P2	FILL COLD/WARM	
														4	AGITATE SR	
														4	DRAIN	
														1,25	S.I.S.	
														1	COAST DOWN & DRAIN	
														3	S.I.S. SPECIAL	SPIN ONLY
														4	SPIN	
														1	COAST DOWN & DRAIN	

P1 = UNTIL PRESSURE SWITCH RESET P2 = UNTIL PRESSURE SWITCH SETS SR = SPECIAL RATE 5 SECONDS ON, 10 SECONDS OFF UNTIL TIME MET. min = MINUTES