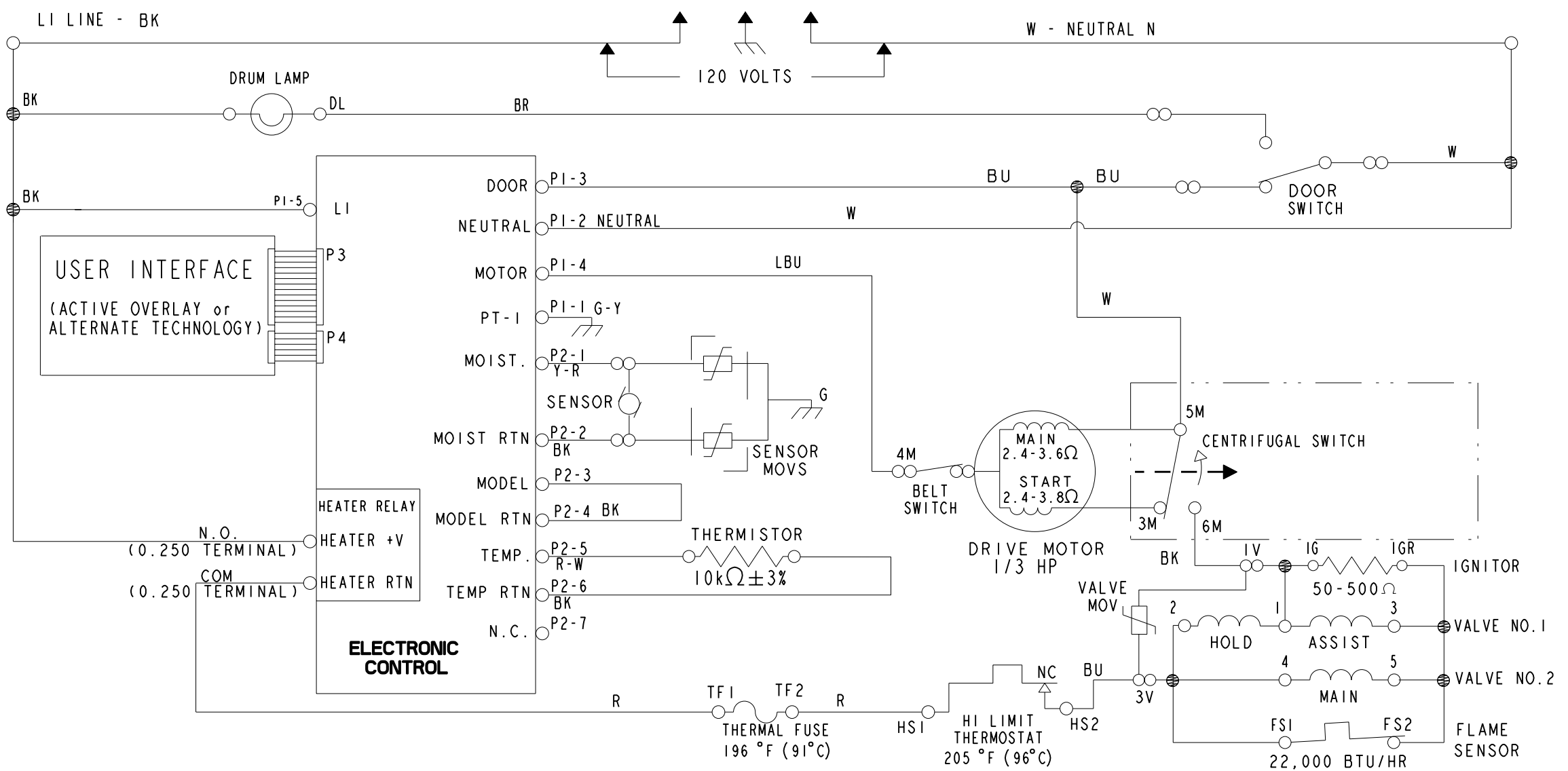
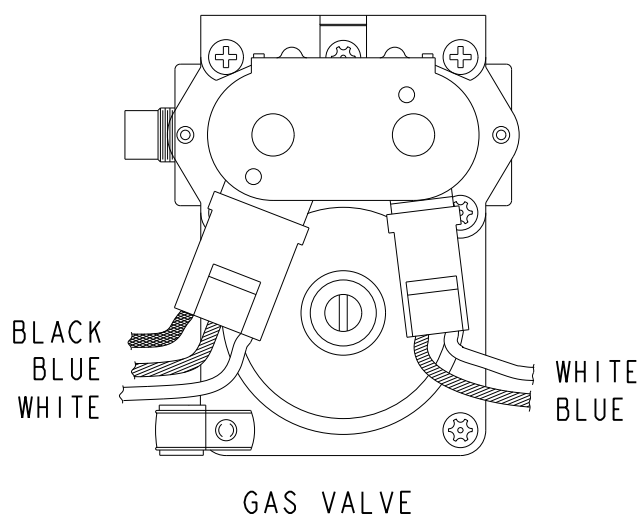
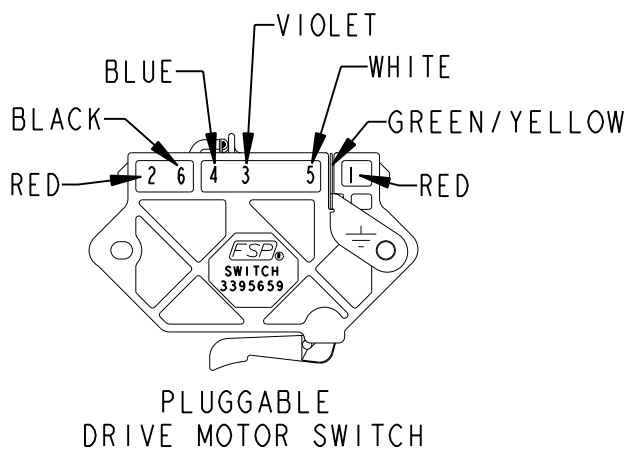


EDOTT/VDOTT WIRING DIAGRAM - ELECTRIC



EDOTT/VDOTT WIRING DIAGRAM - GAS



SOFTWARE COPYRIGHTED.

MANUFACTURED UNDER ONE OR MORE OF THE FOLLOWING U.S. PATENTS:

4669200	4989347	6446357	D314261
4700495	5066050	6597144	D314262
4754556	5560120	6604298	D457991
4840285	5809828	6685241	D457992
4865366	6020698	6732447	D495453
4899464	6047486	6784673	
4908959	6199300	6819255	

PART NO. 3979716 A