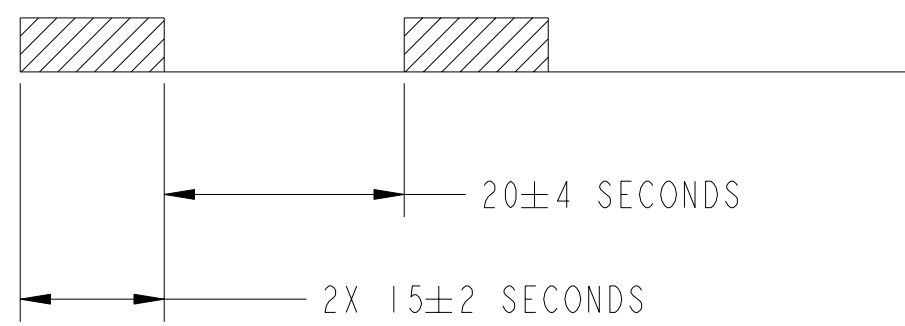
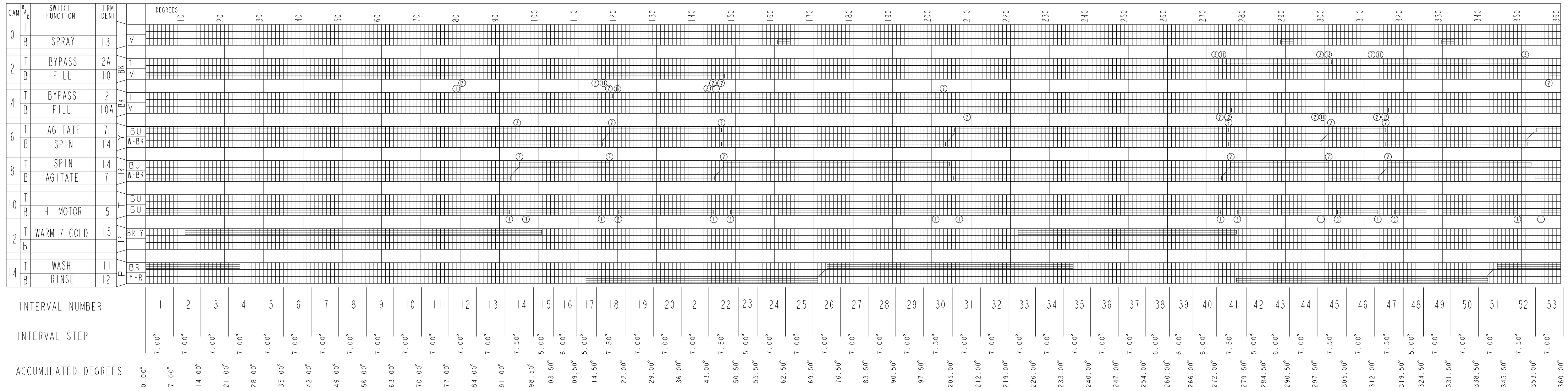
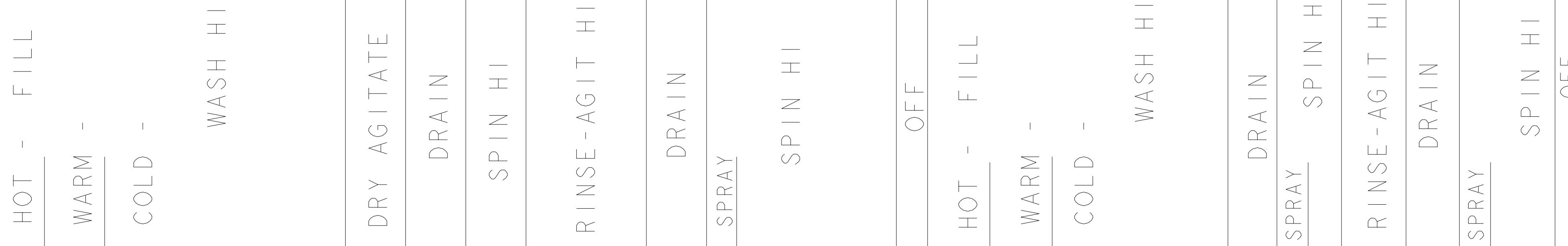


60 SECONDS PER STEP

FUNCTION CHART

HEAVY DUTY  
EMPORTE / RESISTENTE

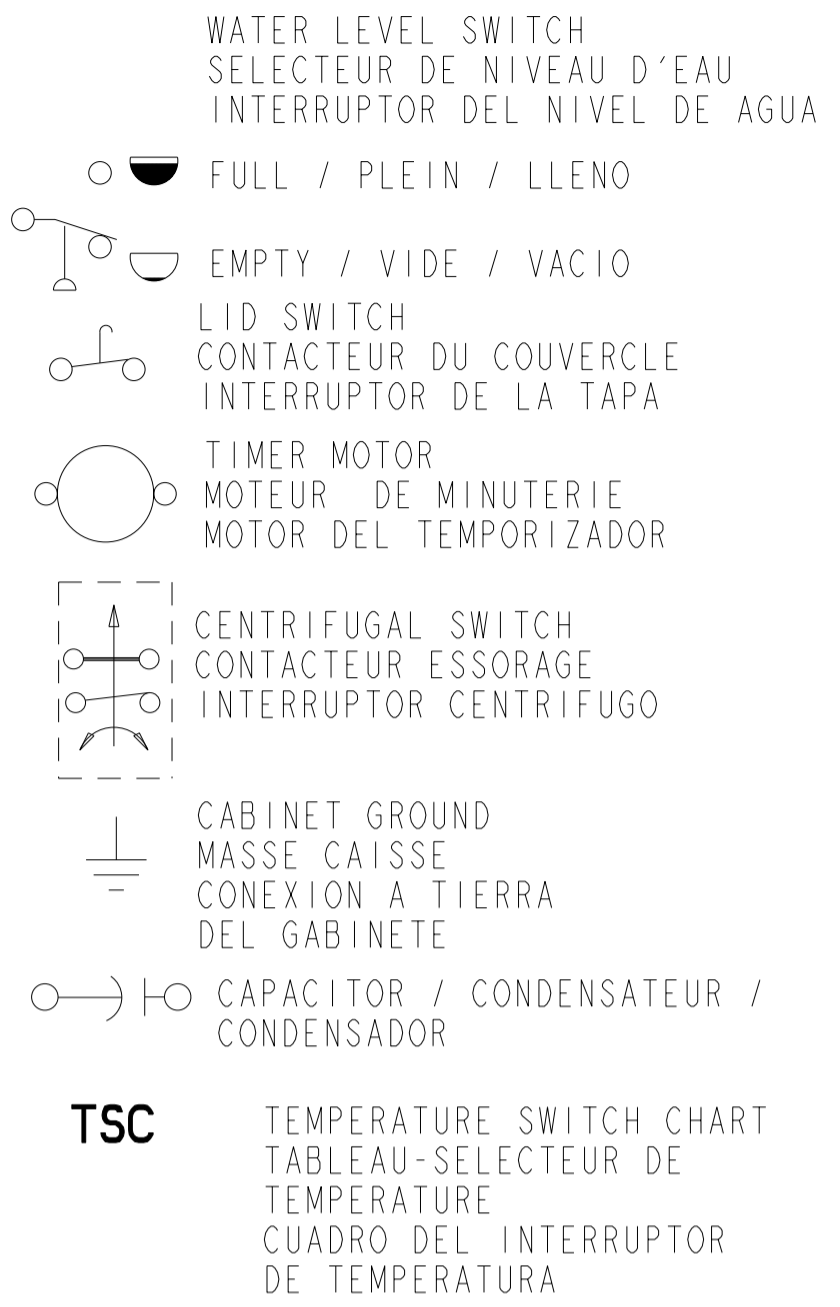
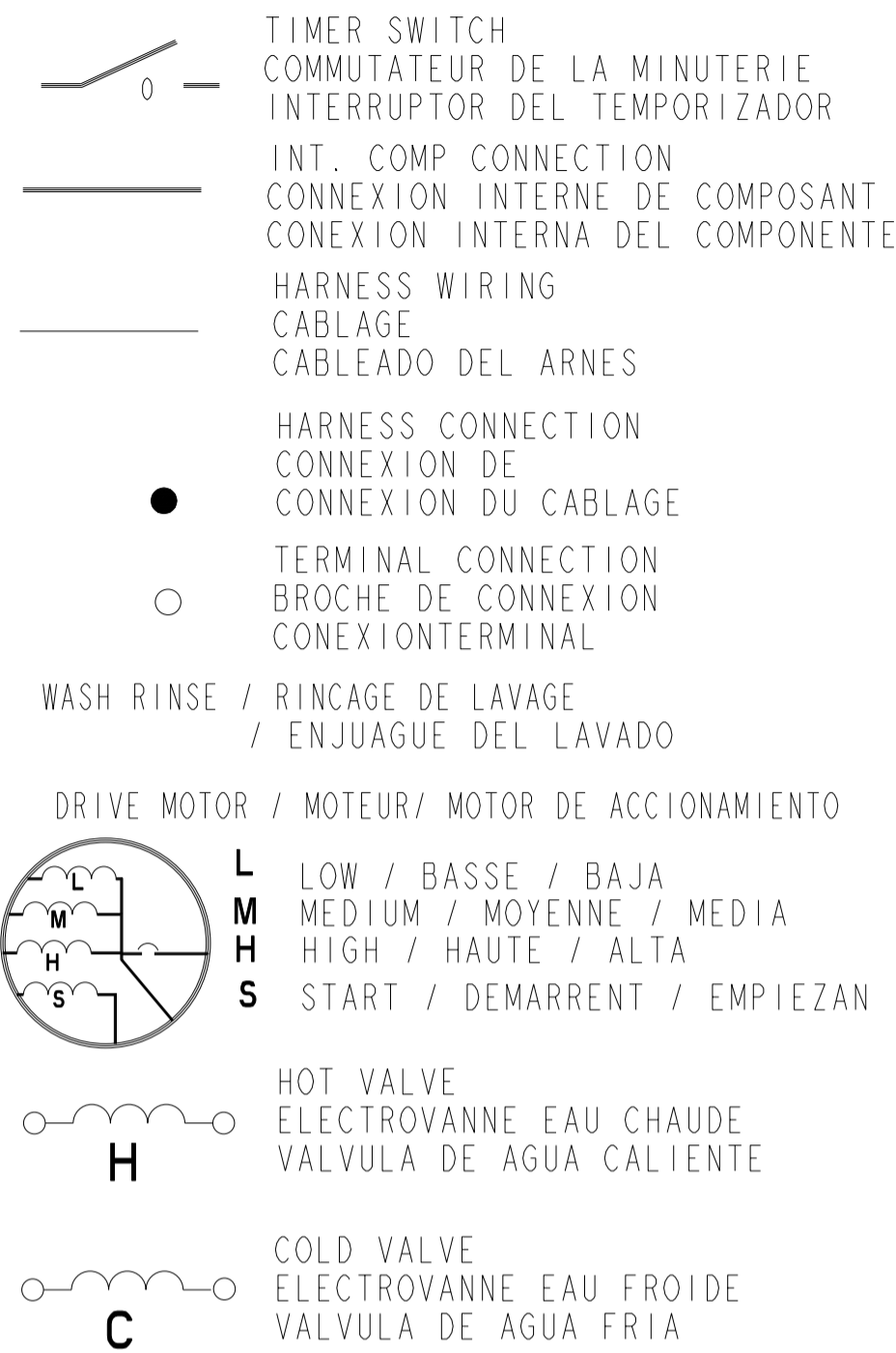
PERMANENT PRESS  
SYNTHETIQUES / PERMANENTE PRENSA



TIMER SWITCH # 13 - SPRAY (REF. ONLY)

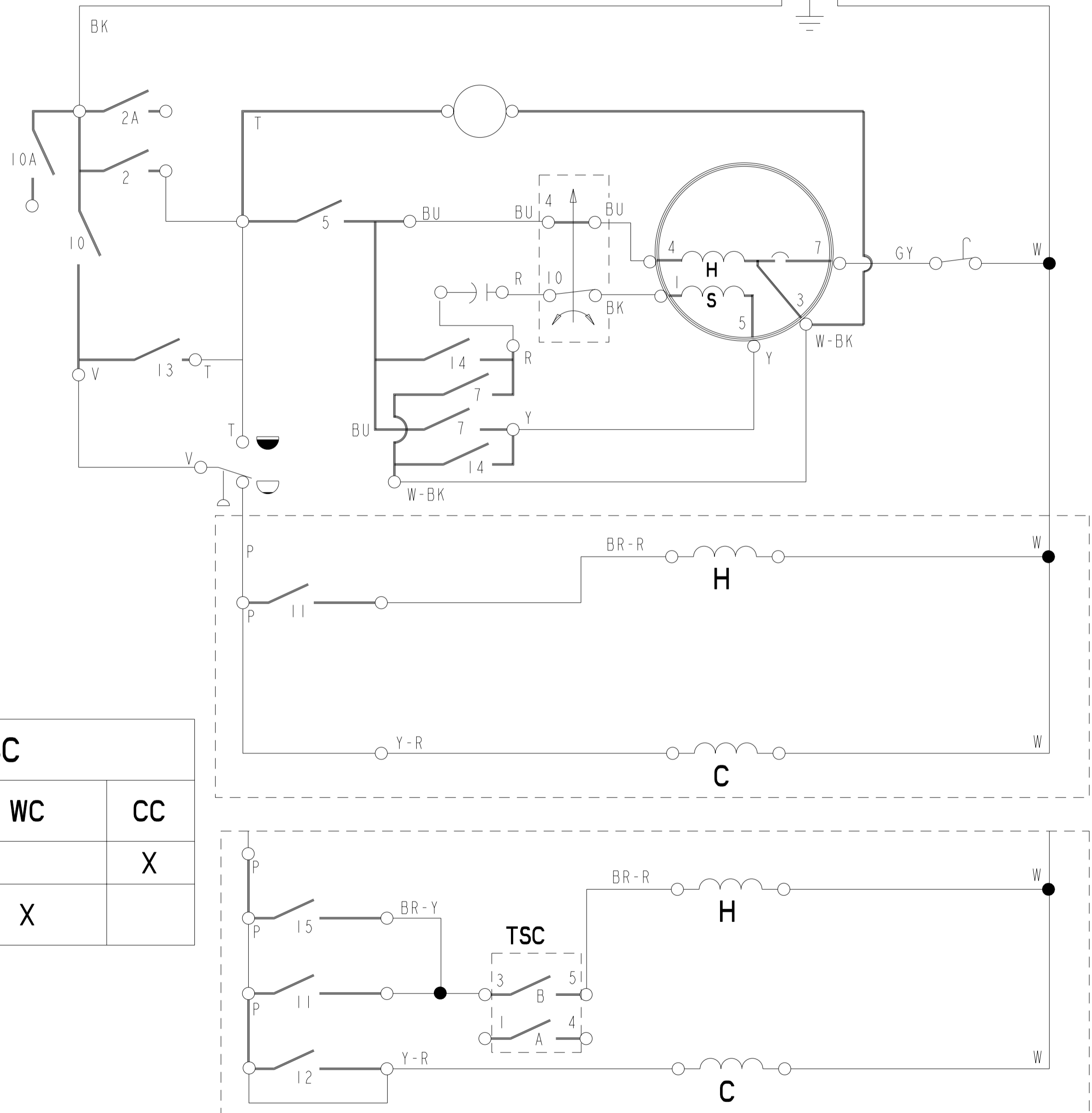
LEGEND	LEGENDE	LEYENDA	LEGEND	LEGENDE	LEYENDA
1/2 TUB DRAIN	1/2 COVETTE VID	DREN DE LA TINA DEL 1/2	SWITCH FUNCTION	COMMUTEZ LA FONCTION	CAMBIE LA FUNCTION
SPRAY	GICLAGE	AEROSOL	CAM	CAME	LEVA
BYPASS	DERIVATION	PUENTE	OFF	ARRET	DE
FILL	REMPLISSAGE	LLENAN	COOL DOWN	REFROIDISSEZ	REFRESQ'UESE ABAJO
AGITATE	AGITATION	AGITAR	SPIN LOW	ESSORAGE BASSE	EXPRIMIDO BAJA
SPIN	DEMARRAGE	INICIAR	RINSE LOW	RINCAGE BASSE	ACLARACION BAJA
HI MOTOR	HAUTE RAPIDE	ALTA MOTOR	WASH LOW	LAVAGE BASSE	LAVADO BAJA
LOW MOTOR	BASSE MOTEUR	ALTA MOTOR	WASH HI	LAVAGE HAUTE	COLADA ALTA
WARM/COLD	CHAUDE/FROIDE	CALIENTESE/DE AGUA FRIA	SPIN HI	ESSORAGE HAUTE	EXPRIMIDO ALTA
WASH	LAVAGE	LAVADO	CASUAL	OCCASIONEL	OCASIONAL
RINSE	RINCAGE	ENJUAGUE	QUICK	VITE	APRISA
DRAIN	VIDENT	DRENAN	NORMAL	NORMALE	NORMAL
DRY/AGITATE	SECHER/AGITATION	SECO/AGITAR	TERMINAL IDENTIFIER	MARQUE TERMINALE	IDENTIFICADOR TERMINAL
PRE WASH	PRE LAVADO	PRE LAVADO	STEP	ETAPE	PASO
SOAK	TREMPAGE	REMOJJO	SECONDS	SECONDES	SEGUNDOS
DELICATE	DELICAT	DELICADO	MACHINE FUNCTION	FUNTION DE MACHINE	FUNCION DE LA MAQUINA
PERMANENT PRESS	SYNTHETIQUES	PERMANENTE PRENSA	EXTRA RINSE	RINCAGE SUPPLEMENTAIRE	ENJUAGUE ADICIONAL
REGULAR	REGULIER	REGULAR			
HEAVY	ROBUSTE	INTENSO			

LEGEND / LEGENDE / LEYENDA



TIMER KNOB PUSH OFF ALL TIMER SWITCHES OPEN  
BOUTON DE LA MINUTERIE ENFONCE (ARRET)-TOUS LES  
AUTRES COMMUTATEURS DE LA MINUTERIE OUVERTS  
PERILLA DEL TEMPORIZADOR OPRIMIDA (APAGADO)-TODOS  
LOS INTERRUPTORES DEL TEMPORIZADOR ABIERTOS

PART No. PIECE N° PIEZA N°	REV. REV. REV.
<b>8546684</b>	<b>REL</b>



MANUFACTURED UNDER ONE OR MORE  
OF THE FOLLOWING US PATENTS:  
4545947, 4555919, 4566295, 4572596, 4618193,  
4624117, 4643350, 4646545, 4656844, 4656847,  
4692987, 4693095, 4697293, 4700554, 4709951,  
4715401, 4719769, 4754622, 4759202, 4774822,  
4779431, 4782544, 4784666, 4785643, 4793820,  
4807452, 4809524, 4835991, 4854559, 4856303,  
4870988, 4888965, 4890465, 4891959, 4910979,  
4945735, 4947516, 4969341, 4972134, 4977394,  
4986093, 4987627, 5000016, 5031427, 5033277,  
5074003, 5075613, 5113542, 5130624, 5150588,  
5154071, 5166568, 5167722, 5172573, 5177659,  
5191667, 5191668, 5191669, 5193361, 5199127,  
5199281, 5200684, 5205141, 5219370, 5233718,  
5249441, 5255844, 5257901, 5259217, 5269160,  
5271251, 5297403, 5305485, 5312138, 5314044,  
5345637, 5345792, 5345793, 5359744, 5373715,  
5460018, 5493745, 5504955, 5507053, 5515565,  
5582039, 5582199, 5651278, 5671494, 5765404,  
5784902, 5791167, 5836180, 5852942, 5875655,  
5878602, 5883490, 5946946, 6065171, 6070282,  
6105403, 6115863, 6125490, 6185774, 6212722,  
6227013, 6227014, 6269666, 6347645, 6363563,  
6393872, 6430971, 6505370, D314263, D375390,  
D381140, D423740, D426686, D456572,  
D459844, D463631, D465308

TSC		
SWITCH COMMUTATEUR CAMBIAN	WC	CC
A		X
B	X	

MANUFACTURADO BAJO UNA O MAS DE  
LAS SIGUIENTES PATENTES MEXICANAS:  
159840, 159983, 161744, 163722, 164305,  
164407, 165938, 165992, 170221, 174138,  
174478, 174483, 177764, 177766, 181185,  
182183, 182396, 182632, 187728, 189682,  
189766, 192502, 192503, 198393, 199844,  
205519, 211042

FABRIQUE SOUS UN OU PLUSIEURS  
DES BREVETS CANADIENS SUIVANTS:  
1228410, 1233039, 1233658, 1282557,  
1287338, 1288966, 1298988, 1301469,  
1306367, 1313770, 2018975, 2022266,  
2043393, 2056969, 2086151, D76618