

LEGEND / LEGENDE / LEYENDA

- TIMER SWITCH
COMMUTEUR DE LA MINUTERIE
INTERRUPTOR DEL TEMPORIZADOR
- INT. COMP CONNECTION
CONNEXION INTERNE DE COMPOSANT
CONEXION INTERNA DEL COMPONENTE
- HARNESS WIRING
CABLAGE
CABLEADO DEL ARNES
- HARNESS CONNECTION
CONNEXION DE
CONNEXION DU CABLAGE
- TERMINAL CONNECTION
BROCHE DE CONNEXION
CONEXION TERMINAL
- WASH RINSE / RINCAGE DE LAVAGE
/ ENJUAGUE DEL LAVADO
- DRIVE MOTOR / MOTEUR / MOTOR DE ACCIONAMIENTO
- L** LOW / BASSE / BAJA
M MEDIUM / MOYENNE / MEDIA
H HIGH / HAUTE / ALTA
S START / DEMARRENT / EMPIEZAN
- H** HOT VALVE
ELECTROVANNE EAU CHAUDE
VALVULA DE AGUA CALIENTE
- C** COLD VALVE
ELECTROVANNE EAU FROIDE
VALVULA DE AGUA FRIA
- ATC SENSOR / CAPTEUR D' ATC / SENSOR DEL ATC
- ATC BOARD / PANNEAU D' ATC / TARJETA DEL ATC

- WATER LEVEL SWITCH
SELECTEUR DE NIVEAU D'EAU
INTERRUPTOR DEL NIVEL DE AGUA
- FULL / PLEIN / LLENO
- EMPTY / VIDE / VACIO
- LID SWITCH
CONTACTEUR DU COUVERCLE
INTERRUPTOR DE LA TAPA
- TIMER MOTOR
MOTEUR DE MINUTERIE
MOTOR DEL TEMPORIZADOR
- CENTRIFUGAL SWITCH
CONTACTEUR ESSORAGE
INTERRUPTOR CENTRIFUGO
- CABINET GROUND
MASSE CAISSE
CONEXION A TIERRA
DEL GABINETE
- CAPACITOR / CONDENSATEUR /
CONDENSADOR
- TSC** TEMPERATURE SWITCH CHART
TABLEAU-SELECTEUR DE
TEMPERATURE
CUADRO DEL INTERRUPTOR
DE TEMPERATURA
- F** FUSE / FUSIBLE / FUSIBLE
- T** TRANSFORMER / TRANSFORMATEUR / TRANSFORMADOR

MANUFACTURED UNDER ONE OR MORE OF THE FOLLOWING US PATENTS:
 4545947, 4555919, 4566295, 4572596, 4618193,
 4624117, 4643350, 4646545, 4656844, 4656847,
 4692987, 4693095, 4697293, 4700554, 4709951,
 4715401, 4719769, 4754622, 4759202, 4774822,
 4779431, 4782544, 4784666, 4785643, 4793820,
 4807452, 4809524, 4835991, 4854559, 4856303,
 4870988, 4888965, 4890465, 4891959, 4910979,
 4945735, 4947516, 4969341, 4972134, 4977394,
 4986093, 4987627, 5000016, 5031427, 5033277,
 5074003, 5075613, 5113542, 5130624, 5150588,
 5154071, 5166568, 5167722, 5172573, 5177659,
 5191667, 5191668, 5191669, 5193361, 5199127,
 5199281, 5200684, 5205141, 5219370, 5233718,
 5249441, 5255844, 5257901, 5259217, 5269160,
 5271251, 5297403, 5305485, 5312138, 5314044,
 5345637, 5345792, 5345793, 5359744, 5373715,
 5460018, 5493745, 5504955, 5507053, 5515565,
 5582039, 5582199, 5651278, 5671494, 5765404,
 5784902, 5791167, 5836180, 5852942, 5875655,
 5878602, 5883490, 5946946, 6065171, 6070282,
 6105403, 6115863, 6125490, 6185774, 6212722,
 6227013, 6227014, 6269666, 6347645, 6363563,
 6393872, 6430971, 6505370, D314263, D375390,
 D381140, D423740, D426686, D456572,
 D459844, D463631, D465308

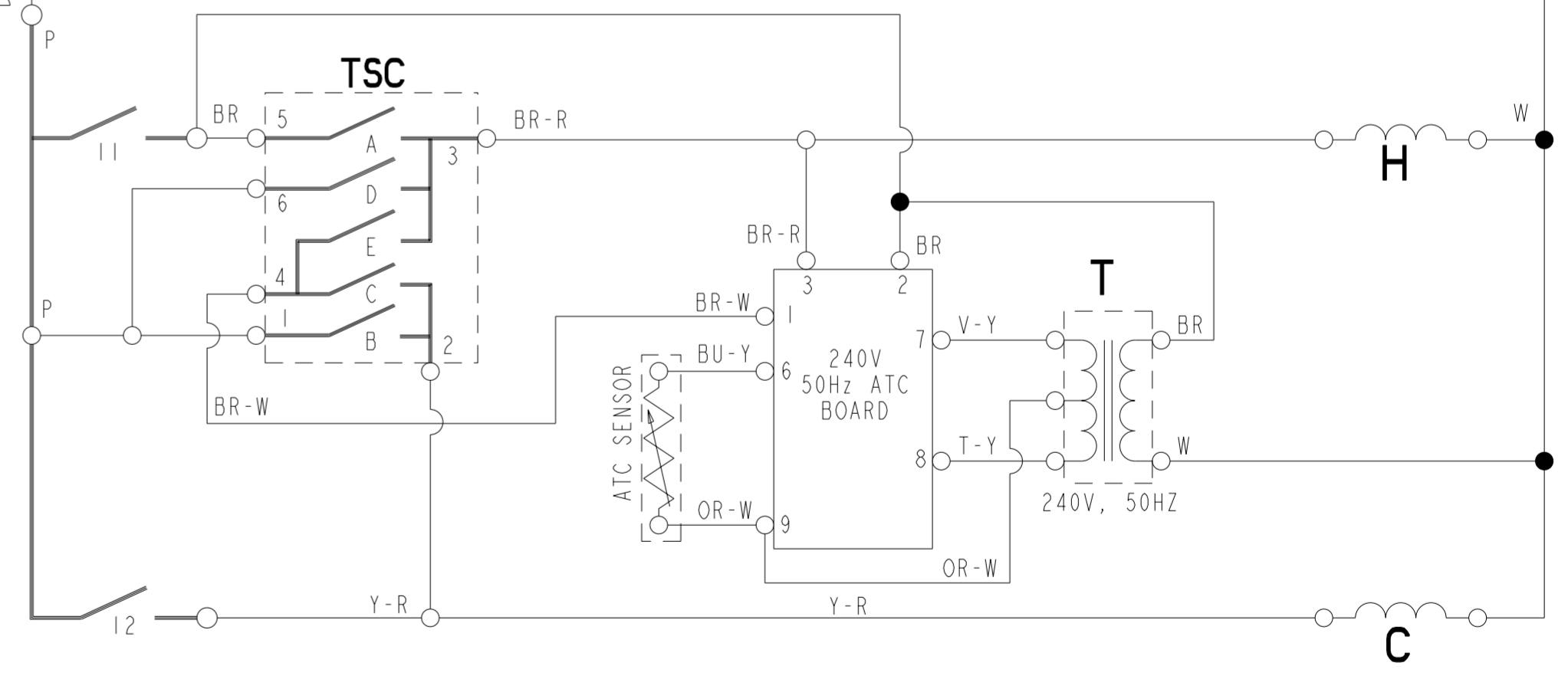
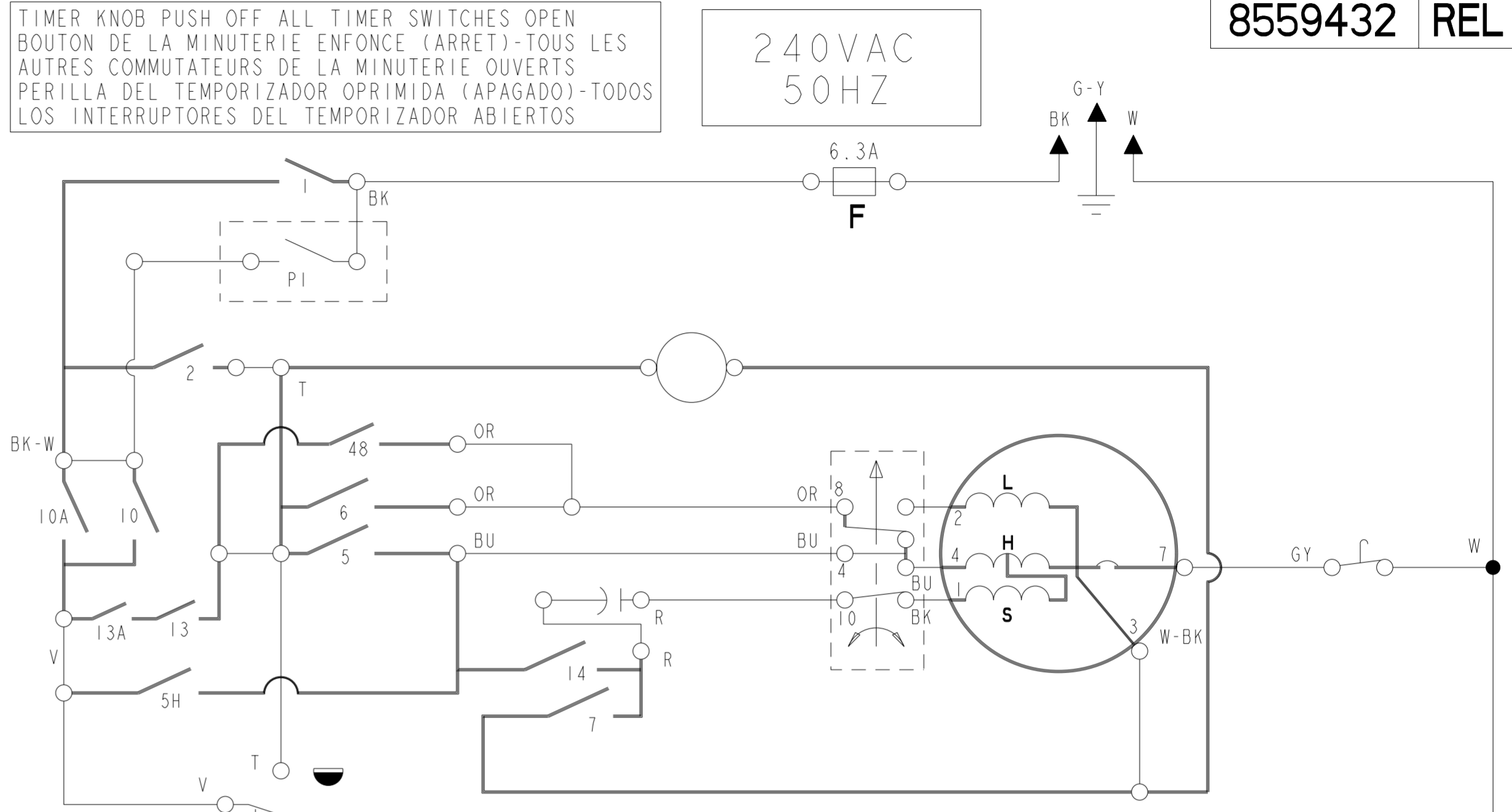
EXTRA-RINSE SUPPLEMENTAIRE RINCAGE ADICIONAL ACLARACION	
	PI
OFF/ARRET/DE	
ON / SUR / EN	X

MANUFACTURADO BAJO UNA O MAS DE LAS SIGUIENTES PATENTES MEXICANAS:
 159840, 159983, 161744, 163722, 164305,
 164407, 165938, 165992, 170221, 174138,
 174478, 174483, 177764, 177766, 181185,
 182183, 182396, 182632, 187728, 189682,
 189766, 192502, 192503, 198393, 199844,
 205519, 211042

FABRIQUE SOUS UN OU PLUSIEURS DES BREVETS CANADIENS SUIVANTS:
 1228410, 1233039, 1233658, 1282557,
 1287338, 1288966, 1298988, 1301469,
 1306367, 1313770, 2018975, 2022266,
 2043393, 2056969, 2086151, D76618

PART No. PIECE N° PIEZA N°	REV. REV. REV.
8559432	REL

TIMER KNOB PUSH OFF ALL TIMER SWITCHES OPEN
 BOUTON DE LA MINUTERIE ENFONCE (ARRET)-TOUS LES
 AUTRES COMMUTEURS DE LA MINUTERIE OUVERTS
 PERILLA DEL TEMPORIZADOR OPRIMIDA (APAGADO)-TODOS
 LOS INTERRUPTORES DEL TEMPORIZADOR ABIERTOS



TSC		* 100° F ± 10° F = 38° c ± 5.5° c # 75° F ± 5° F = 24° c ± 2.8° c				
	WASH RINSE	A	B	C	D	E
1	HC	X				
2	*WC	X		X		
3	#CC		X			X
4	*WW	X		X	X	