

# LEGEND

- - - COMPONENT MAY OR MAY NOT BE USED
- TIMER CONSTRUCTION
- TERMINAL CONNECTION
- SPLICE
- ∞ IN LINE CONNECTION

| TIMER POSITION      |   | TIMER SWITCH |       |         |       |      |      |      |
|---------------------|---|--------------|-------|---------|-------|------|------|------|
|                     |   | TM-WB        | TM-OR | BK-BU-V | BK-BU | BK-R | T-WR | T-BU |
| AUTO-REGULAR        |   |              |       |         |       |      |      |      |
| AUTO-SOFT/LOW HEAT  |   |              |       |         |       |      |      |      |
| COOL DOWN AIR       | ○ | ○            |       |         |       |      |      |      |
| END OF CYCLE        |   |              |       |         |       |      |      |      |
| TIMED-REGULAR       |   |              |       |         |       |      |      |      |
| TIMED-SOFT/LOW HEAT |   |              |       |         |       |      |      |      |
| GUARD               |   |              |       |         |       |      | +    |      |

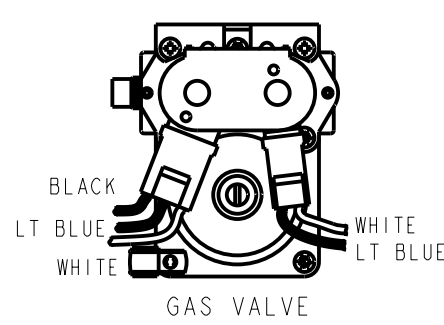
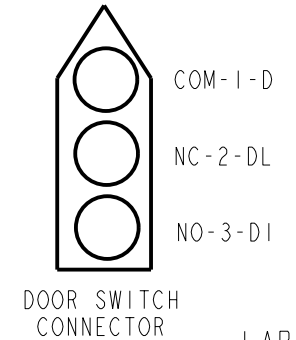
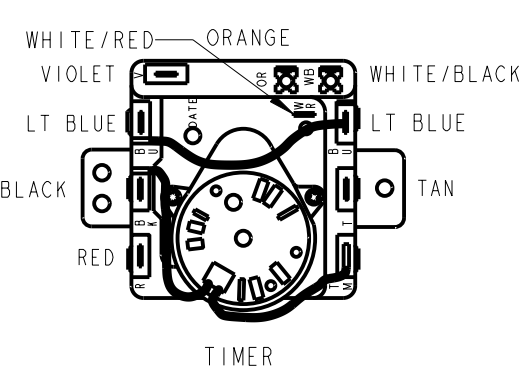
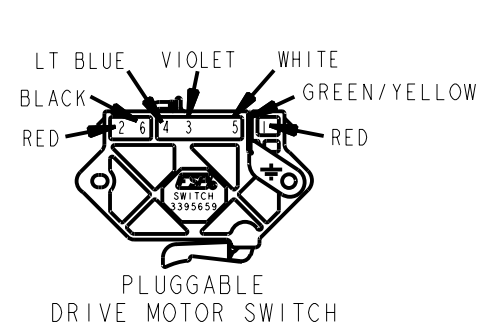
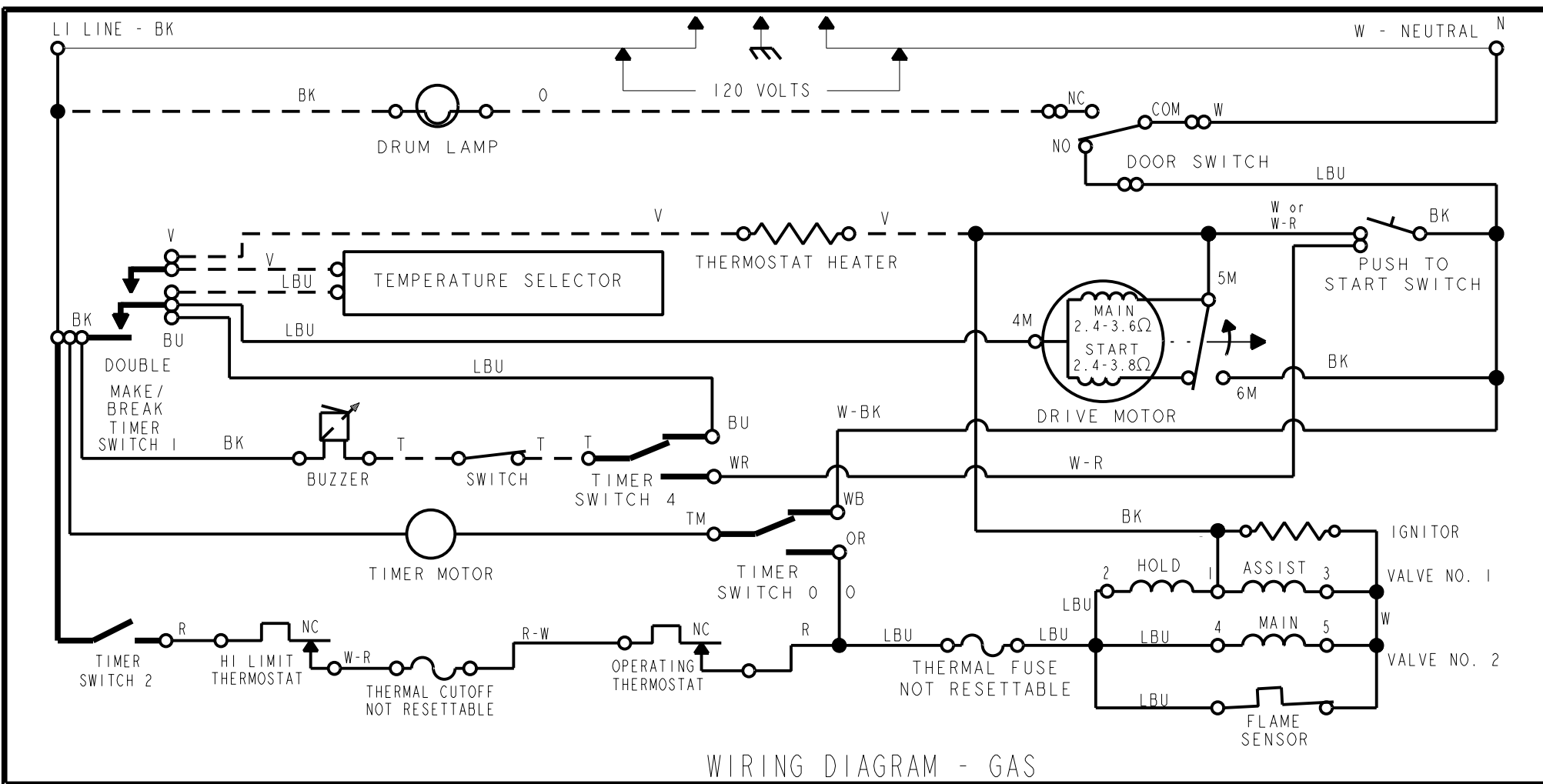
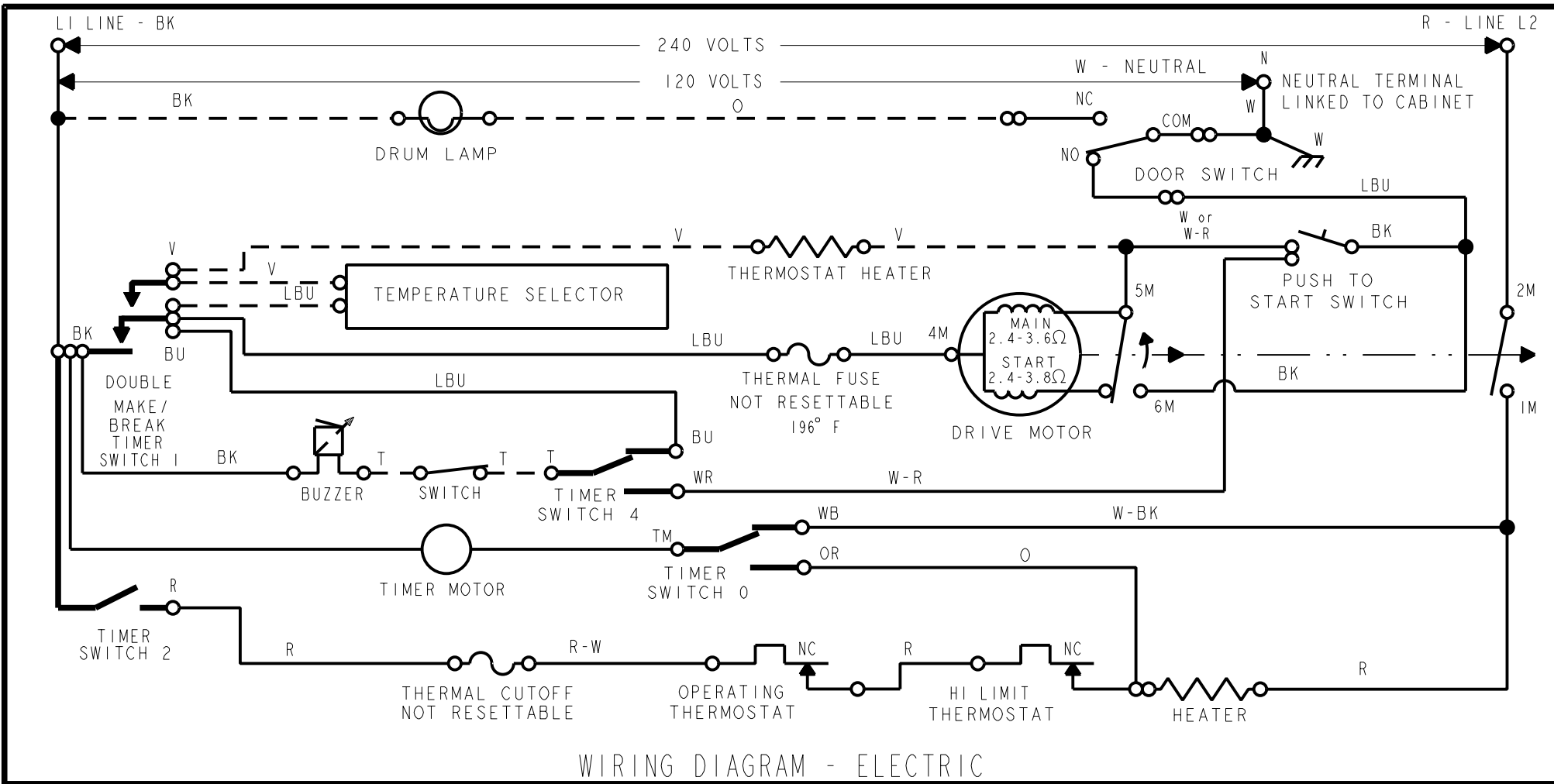
  

| LEGEND |                         |
|--------|-------------------------|
| □      | = OPEN                  |
| ▨      | = CLOSED                |
| ■      | = DOESN'T MATTER        |
| ○      | = EITHER (NOT BOTH)     |
| +      | = CLOSED INTERMITTENTLY |

MANUFACTURED UNDER ONE OR MORE OF THE FOLLOWING U.S. PATENTS:

|           |           |           |
|-----------|-----------|-----------|
| 3,702,030 | 3,890,720 | 4,132,008 |
| 3,762,064 | 3,959,891 | 4,385,452 |
| 3,769,716 | 3,962,617 | 4,430,809 |
| 3,815,258 | 4,003,613 | 4,821,535 |
| 3,889,392 | 4,086,709 |           |

CAUTION: LABEL ALL WIRES PRIOR TO DISCONNECTION WHEN SERVICING CONTROLS. WIRING ERRORS CAN CAUSE IMPROPER AND DANGEROUS OPERATION. VERIFY PROPER OPERATION AFTER SERVICING.



LABEL NO.  
**8576796**  
REV. C