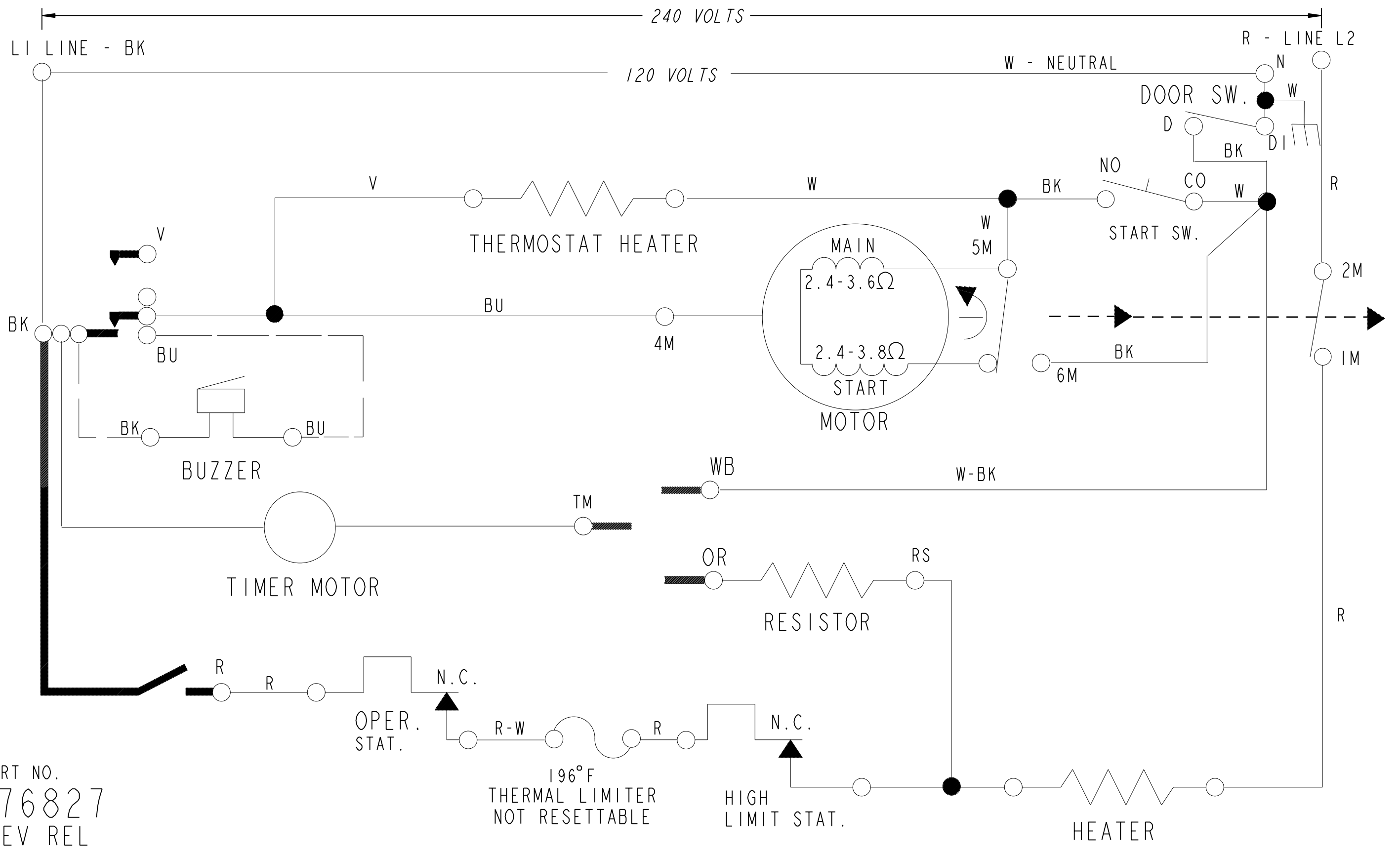


SWITCH CLOSED CIRCUIT COUPE	TIMER SCHEDULE IN MINUTES					
	TIMED/MINUTE	OFF	AIR	OFF	AUTOMATIC	OFF
TM-WB						
TM-OR						
BK-BU-V						
BK-BU						
BK-R						

MANUFACTURED UNDER ONE  
OR MORE OF THE  
FOLLOWING U.S. PATENTS:

3,702,030	3,962,617
3,762,064	4,086,709
3,769,716	4,132,008
3,815,258	4,385,452
3,889,392	4,430,809
3,890,720	4,003,613
3,959,891	4,821,535



PART NO.  
8576827  
REV REL