

LEGEND / LEGENDE / LEYENDA

- TIMER SWITCH
INT. DU PROGRAMMATEUR
INTERRUPTOR DEL TEMPORIZADOR
- INT. COMP CONNECTION
CONNEXION INTERNE DE COMPOSANT
CONEXION INTERNO DEL COMPONENTE
- HARNESS WIRING
FAISCEAU DE FILS
CABLEADO DEL HARNESS
- HARNESS CONNECTION
CONNEXION DE FILS
CONEXION DEL HARNESS
- TERMINAL CONNECTION
CONNEXION DE LA BORNE
TERMINAL CONEXION
- WASH RINSE / RINCAGE DE LAVAGE
/ ACLARACION DE LA COLADA
- DRIVE MOTOR / MOTEUR/ IMPULSOR MOTOR
- L LOW / LENT / BAJO
M MEDIUM / SUPPORT / MEDIA
H HIGH / HAUT / ALTO
S START / DEMARRENT / EMPIEZAN
- HOT VALVE
SOUPAPE D'EAU CHAUDE
CALIENTE VALVULA
- C COLD VALVE
SOUPAPE D'EAU FROIDE
FRIA VALVULA

WATER LEVEL SWITCH
INTERRUPTEUR NIVEAU D'EAU
INTERRUPTOR DEL NIVEL DEL AGUA

- FULL / PLEIN / POR COMPLETO
- EMPTY / VIDE / VACIO
- LID SWITCH
INTERRUPTEUR DU COUVERCLE
INTERRUPTOR DE LA TAPA
- TIMER MOTOR
MOTEUR DE LA MINUTERIE
MOTOR DEL TEMPORIZADOR
- CENTRIFUGAL SWITCH
CONTACTEUR CENTRIFUGE
CENTRIFUGO INTERRUPTOR

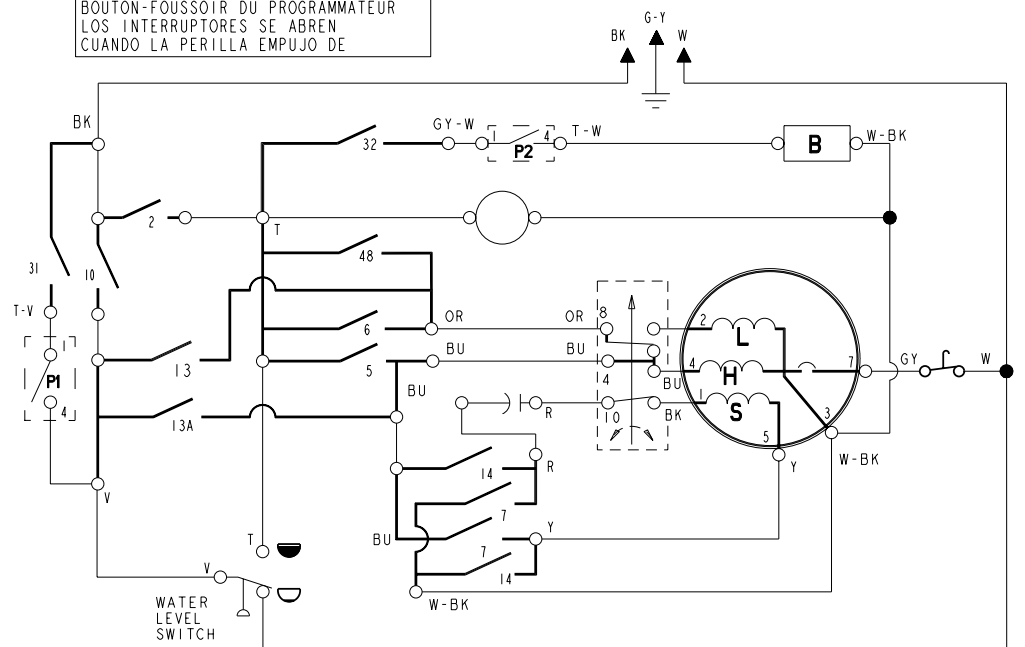
- CABINET GROUND
TERRE DU CHASSI
CABIN MOLIDA
- CAPACITOR / CONDENSATEUR /
CONDENSADOR
- BUZZER / VIBREUR / SENAL SONORA

TSC TEMPERATURE SWITCH CHART
DIAGRAMME DE COMMUTATEUR DE LA TEMPERATURE
CARTA DE INTERRUPTOR DE LA TEMPERATURA

[] NOT USED ON ALL MODELS

PART NO. NUMERO DE PIECE NUMERO DE PIEZA	REV REVISION REVISION
8577358	C

TIMER KNOB PUSH OFF
ALL TIMER SWITCHES OPEN
TIRE POUR MARCHÉ POUSSÉ POUR ARRÊTE
BOUON-FOUSOIR DU PROGRAMMATEUR
LOS INTERRUPTORES SE ABREN
CUANDO LA PERILLA EMPUJO DE



EXTRA-RINSE
SUPPLEMENTAIRE RINCAGE
ADICIONAL ACLARACION

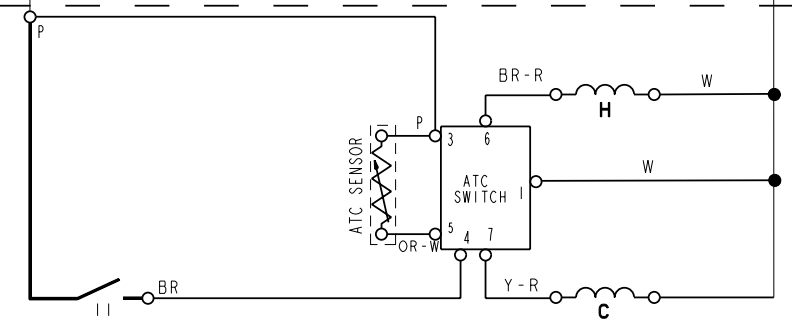
	P I
OFF/ARRET/DE	
ON / SUR / EN	X

TSC
W1013058/W10184148

POS	WASH / RINSE	TEMP	RINSE TEMP
1	C/C	COLD	COLD
2	C/C	62°	COLD
3	W/C	78°	COLD
4	H/C	105°	COLD

TSC
8578335

POS	WASH / RINSE	WASH TEMP	RINSE TEMP
1	C/C	COLD	COLD
2	C/C	70°	COLD
3	W/C	93°	COLD
4	H/C	110°	COLD



MANUFACTURED UNDER ONE OR MORE OF THE FOLLOWING US PATENTS:
4545947, 4555919, 4566955, 4572966, 4618193, 4624117, 4643350, 4646545, 4656844, 4658847, 4692987, 4693065, 4697293, 4700564, 4708951, 4715401, 4719769, 4754622, 4759202, 4774822, 4779631, 4782544, 4784666, 4785645, 4792620, 4807452, 4809524, 4835991, 4854555, 4856303, 4870988, 4888965, 4890465, 4891959, 4910919, 4945735, 4947516, 4963341, 4971314, 4971394, 4986093, 4987627, 5000016, 5031427, 5033277, 5074003, 5075613, 5113942, 5138264, 5150589, 5154071, 5166568, 5167722, 5172513, 5177659, 5191687, 5191688, 5191689, 5193361, 5199227, 5199291, 5200694, 5205141, 5219370, 5199278, 5249444, 5255844, 5257901, 5259217, 5269180, 5271251, 5297403, 5303465, 5317139, 5314044, 5345637, 5345792, 5345793, 5359744, 5373715, 5460018, 5493745, 5504965, 5507053, 5515665, 5582039, 5582199, 5651278, 5671494, 5765404, 5784602, 5791167, 5834600, 5852942, 5872655, 5878602, 5883400, 5941166, 6085711, 6070282, 6105403, 6115863, 6125490, 6185774, 6212722, 6227013, 6227014, 6264666, 6347445, 6363663, 6393872, 6430971, 6505370, 6314263, 6375390, 6381140, 6423740, 6426666, 6454765, 6465572, 6458844, 6463631, 6465308

FABRIQUE SOUS UN OU PLUSIEURS DES BREVETS CANADIENS SUIVANTS:
1228410, 1233039, 1238358, 1282557, 1287338, 1288946, 1290988, 1301469, 1306367, 1313170, 2018975, 2022266, 2043393, 2056969, 2066151, 076618

MANUFACTURADO BAJO UNA O MAS DE LAS SIGUIENTES PATENTES MEXICANAS:
159840, 159853, 161167, 161372, 164305, 164407, 165938, 165992, 170221, 174138, 174476, 174483, 177164, 177166, 181185, 182183, 182396, 182632, 187728, 189882, 189166, 192502, 192503, 190393, 199844, 205519, 211042

END OF CYCLE SIGNAL
EXTREME DE SIGNAL DE CYCLE
EXTREMO DE LA SENAL
SEÑAL DEL CICLO

POS	A	B
P2		
OFF ARRET DE		
ON SUR EN	X	

SOIL LEVEL SWITCH	POS	A	B
LIGHT SOIL	1		
NORMAL SOIL	2		X
HEAVY SOIL	3	X	

TSC
8577786

POS	WASH	ULTRA CLEAN TEMP	NORMAL / CASUAL TEMP	DELICATE / HAND WASH TEMP	RINSE TEMP
1	COLD	COLD	COLD	COLD	COLD
2	COOL	70°	70°	70°	COLD
3	SMART WARM	100°	93°	87°	COLD
4	SMART HOT	HOT	110°	100°	COLD

