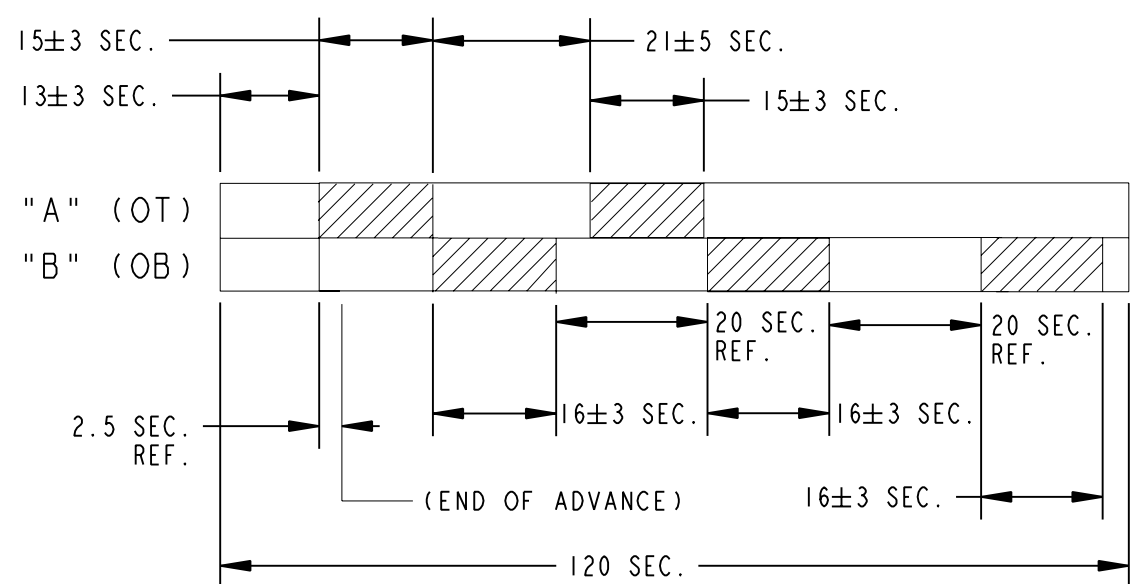


SUBINTERVAL TIMING

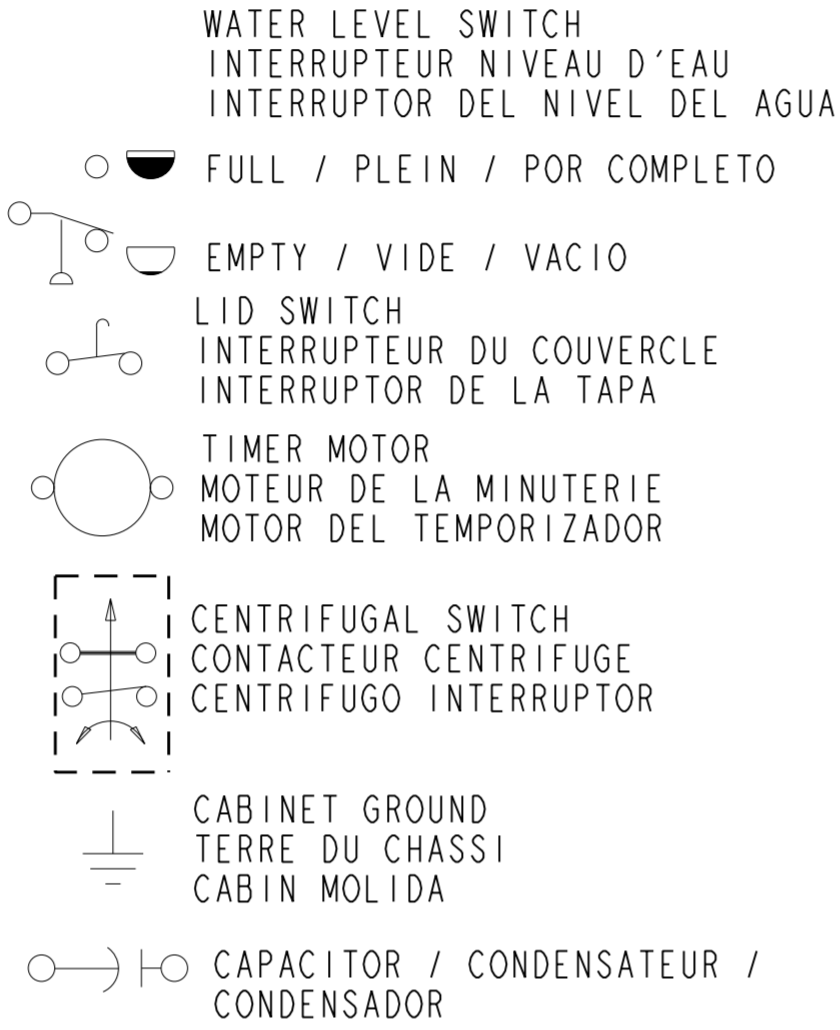
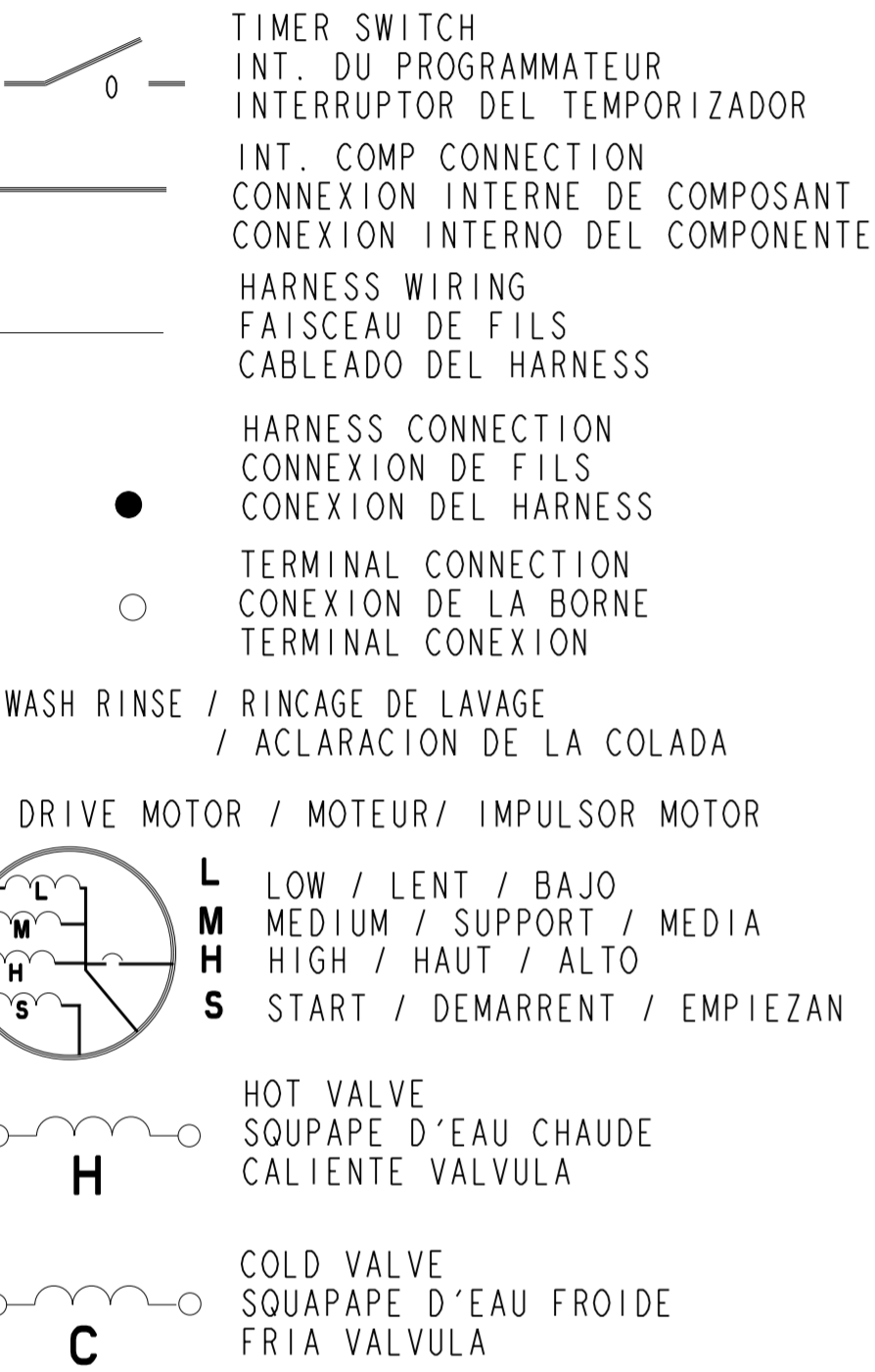


CAM 0  
 TIMER SWITCH #13 (SPRAY)  
 TIMER SWITCH #48 (INTERMITTENT AGIT)  
 SUB-INTERVAL PATTERN

LEGEND	LEGENDE	LEYENDA	LEGEND	LEGENDE	LEYENDA
1/2 TUB DRAIN	1/2 COVETTE VID	DREN DE LA TINA DEL 1/2	SWITCH FUNCTION	COMMUTEZ LA FONCTION	CAMBIE LA FONCTION
SPRAY	GICLAGE	AEROSOL	CAM	CAME	LEVA
FILL	REPLISSAGE	LLENAN	OFF	ARRET	DE
AGITATE	AGITER	AGITAN	COOL DOWN	REFROIDISSEZ	REFRESQUESE ABAJO
HI	RAPIDE	ALTO	SPIN LOW	ROTATION BASSE	VUELTA BAJA
SPIN	ESSORAGE	VUELTA	RINSE LOW	RINCAGE BAS	ACLARACION BAJA
HI MOTOR	MOTEUR RAPIDE	ALTO MOTOR	WASH LOW	LAVAGE BAS	COLADA BAJA
LOW MOTOR	MOTEUR BAS	BAJO MOTOR	WASH HI	LAVAGE HAUT	COLADA ALTA
WARM/COLD	CHAUDE/FROIDE	CALIENTESE/FRIO	SPIN HI	ROTATION HAUTE	VUELTA ALTA
WASH	LAVAGE	COLADA	CASUAL	OCCASIONEL	OCASIONAL
RINSE	RINCAGE	ACLARACION	QUICK	VITE	APRISA
DRAIN	VIDENT	DRENAN	NORMAL	NORMALE	NORMAL
DRY AGITATE	SECHER AGITER	SECO AGITAN	TERMINAL IDENTIFIER	TERMINAL IDENTIFICATEUR	TREMINAL IDENTIFICADOR
PRE WASH	PRE LAVAGE	PRE COLADA	STEP	ETAPE	PASO DE PROGRESION
SOAK	IMBIBENT	REMOJAN	SECONDS	SECONDES	SEGUNDOS
DELICATE	SENSIBLE	DELICADO	BYPASS	DERIVATION	PUENTE
PERMANENT PRESS	SYNTHETIQUES	PERMANENTE PRENSA	SUPER WASH	LAVAGE SUPERBE	COLADA ESTUPENDA
REGULAR	REGULIER	REGULAR	GENTLE WASH	ADOUCISSEZ LE LAVAGE	TRATE LA COLADA CON SUAVIDAD
HEAVY	LOURD	PESADO	INTERMITTENT AGITATE	INTERMITTENT AGITEZ	INTERMITENTE AGITE
EXTRA RINSE	SUPPLEMENTAIRE RINCAGE	ADICIONAL ACLARACION	TIMER SWITCH	COMMUTEUR DE TEMPORISATEUR	INTERRUPTOR CONTADOR TIEMPO
MACHINE FUNCTION	FUNTION DE MACHINE	FUNCION DE LA MAQUINA	SUB-INTERVAL PATTERN	MODELE D'SOUS-INTERVALLE	PATRON DEL SUB-INTERVAL

TIMER KNOB PUSH OFF  
 ALL TIMER SWITCHES OPEN  
 TIRE POUR MARCHE PUSSE POUR ARRETE  
 BOUTON-FOUSSOIR DU PROGRAMMATEUR  
 LOS INTERRUPTORES SE ABREN  
 CUANDO LA PERILLA EMPUJO DE

LEGEND / LEGENDE / LEYENDA



MANUFACTURED UNDER ONE OR MORE  
 OF THE FOLLOWING US PATENTS:  
 4545947, 4555919, 4566295, 4572596, 4618193,  
 4624117, 4643350, 4646545, 4656844, 4656847,  
 4692987, 4693095, 4697293, 4700554, 4709951,  
 4715401, 4719769, 4754622, 4759202, 4774822,  
 4779431, 4782544, 4784666, 4785643, 4793820,  
 4807452, 4809524, 4835991, 4854559, 4856303,  
 4870988, 4888965, 4890465, 4891959, 4910979,  
 4945735, 4947516, 4969341, 4972134, 4977394,  
 4986093, 4987627, 5000016, 5031427, 5033277,  
 5074003, 5075613, 5113542, 5130624, 5150588,  
 5154071, 5166568, 5167722, 5172573, 5177659,  
 5191667, 5191668, 5191669, 5193361, 5199127,  
 5199281, 5200684, 5205141, 5219370, 5233718,  
 5249441, 5255844, 5257901, 5259217, 5269160,  
 5271251, 5297403, 5305485, 5312138, 5314044,  
 5345637, 5345792, 5345793, 5359744, 5373715,  
 5460018, 5493745, 5504955, 5507053, 5515565,  
 5582039, 5582199, 5651278, 5671494, 5765404,  
 5784902, 5791167, 5836180, 5852942, 5875655,  
 5878602, 5883490, 5946946, 6065171, 6070282,  
 6105403, 6115863, 6125490, 6185774, 6212722,  
 6227013, 6227014, 6269666, 6347645, 6363563,  
 6393872, 6430971, 6505370, D314263, D375390,  
 D381140, D423740, D426686, D456572,  
 D459844, D463631, D465308

MANUFACTURADO BAJO UNA O MAS DE  
 LAS SIGUIENTES PATENTES MEXICANAS:  
 159840, 159983, 161744, 163722, 164305,  
 164407, 165938, 165992, 170221, 174138,  
 174478, 174483, 177764, 177766, 181185,  
 182183, 182396, 182632, 187728, 189682,  
 189766, 192502, 192503, 198393, 199844,  
 205519, 211042

FABRIQUE SOUS UN OU PLUSIEURS  
 DES BREVETS CANADIENS SUIVANTS:  
 1228410, 1233039, 1233658, 1282557,  
 1287338, 1288966, 1298988, 1301469,  
 1306367, 1313770, 2018975, 2022266,  
 2043393, 2056969, 2086151, D76618

