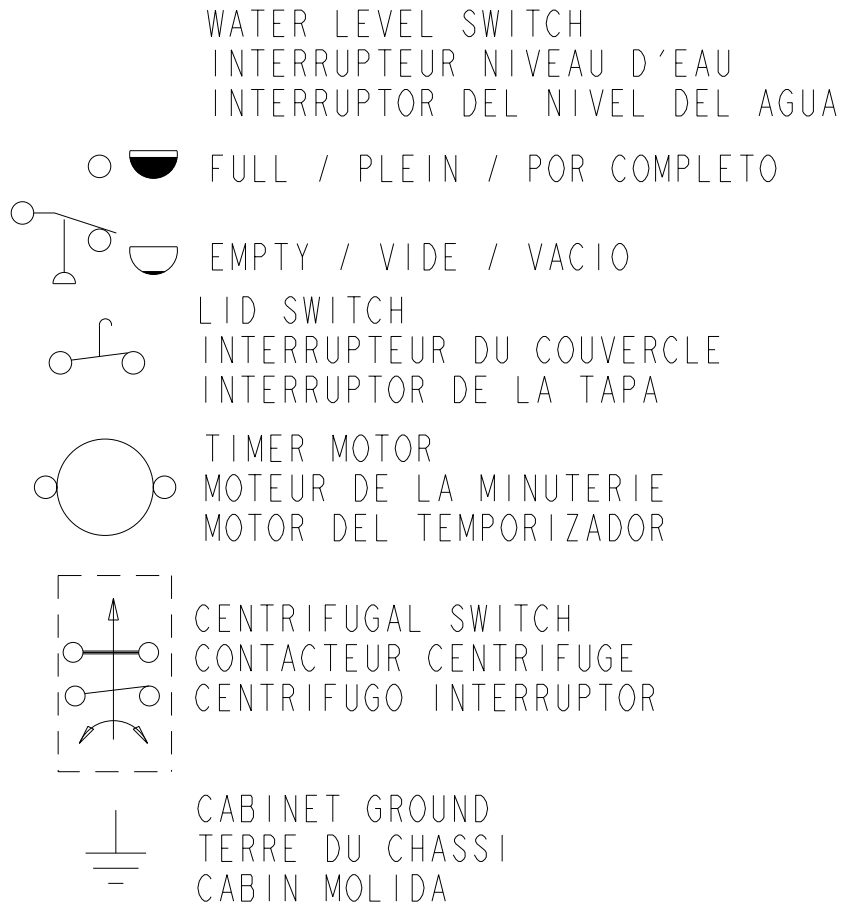
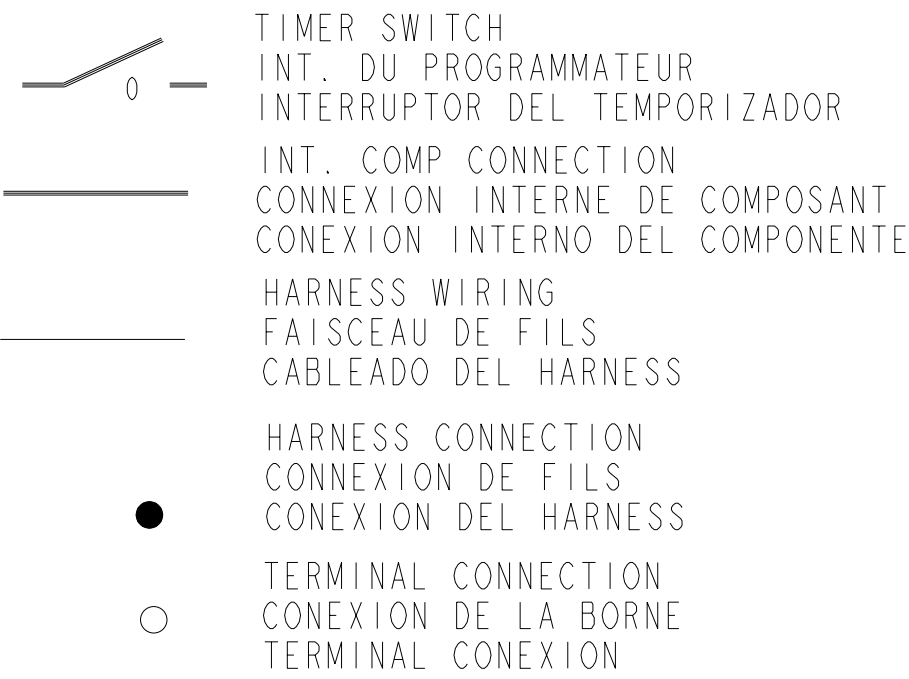
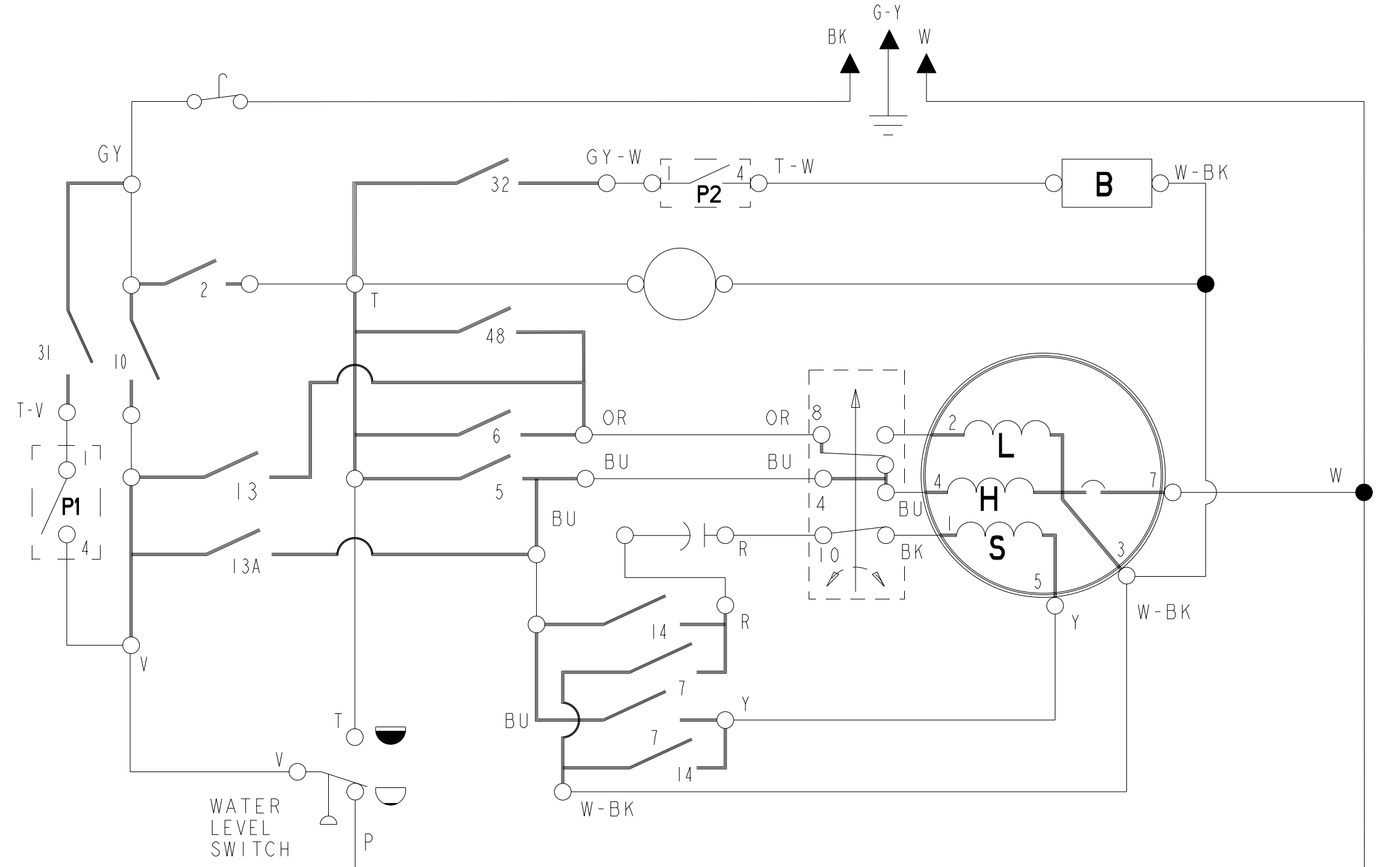


LEGEND / LEGENDE / LEYENDA



TIMER KNOB PUSH OFF
ALL TIMER SWITCHES OPEN
TIRE POUR MARCHE PUSSE POUR ARRETE
BOUTON-FOUSSOIR DU PROGRAMMATEUR
LOS INTERRUPTORES SE ABREN
CUANDO LA PERILLA EMPUJO DE



MANUFACTURED UNDER ONE OR MORE OF THE FOLLOWING US PATENTS:

- 4545947, 4555919, 4566295, 4572596, 4618193, 4624117, 4643350,
- 4646545, 4656844, 4656847, 4692987, 4693095, 4697293, 4700554,
- 4709951, 4715401, 4719769, 4754622, 4759202, 4774822, 4779431,
- 4782544, 4784666, 4785643, 4793820, 4807452, 4809524, 4835991,
- 4854559, 4856303, 4870988, 4888965, 4890465, 4891959, 4910979,
- 4945735, 4947516, 4969341, 4972134, 4977394, 4986093, 4987627,
- 5000016, 5031427, 5033277, 5074003, 5075613, 5113542, 5130624,
- 5150588, 5154071, 5166568, 5167722, 5172573, 5177659, 5191667,
- 5191668, 5191669, 5193361, 5199127, 5199281, 5200684, 5205141,
- 5219370, 5233718, 5249441, 5255844, 5257901, 5259217, 5269160,
- 5271251, 5297403, 5305485, 5312138, 5314044, 5345637, 5345792,
- 5345793, 5359744, 5373715, 5460018, 5493745, 5504955, 5507053,
- 5515565, 5582039, 5582199, 5651278, 5671494, 5765404, 5784902,
- 5791167, 5836180, 5852942, 5875655, 5878602, 5883490, 5946946,
- 6065171, 6070282, 6105403, 6115863, 6125490, 6185774, 6212722,
- 6227013, 6227014, 6269666, 6347645, 6363563, 6393872, 6430971,
- 6505370, 6597144, 6604298, 6685241, 6732447, 6784673, 6819255,
- 6840068, 6846790, 6860032, 6863197, 6900166, 6964360, 6966204,
- 6973740, 6973515, 7020985, 7080464, 7097667, 7314263, 7375390,
- 7381140, 7423740, 7426686, 7456572, 7459844, 7463631, 7465308,
- 7474566, 7495453, 7518250, 7502577, 7514756, 7521196, 7523595,
- 7524001, 7527853

MANUFACTURED UNDER ONE OR MORE OF THE FOLLOWING CANADIAN PATENTS:

- FABRIQUE SOUS UN OU PLUSIEURS DES BREVETS CANADIENS SUIVANTS:
- 1228410, 1233039, 1233658, 1282557, 1287338, 1288966, 1298988,
 - 1301469, 1306367, 1313770, 2018975, 2022266, 2043393, 2056969,
 - 2086151, 276618

MANUFACTURADO BAJO UNA O MAS DE LAS SIGUIENTES PATENTES MEXICANAS:

- 159840, 159983, 161744, 163722, 164305, 164407, 165938,
- 165992, 170221, 174138, 174478, 174483, 177764, 177766,
- 181185, 182183, 182396, 182632, 187728, 189682, 189766,
- 192502, 192503, 198393, 199844, 205519, 211042

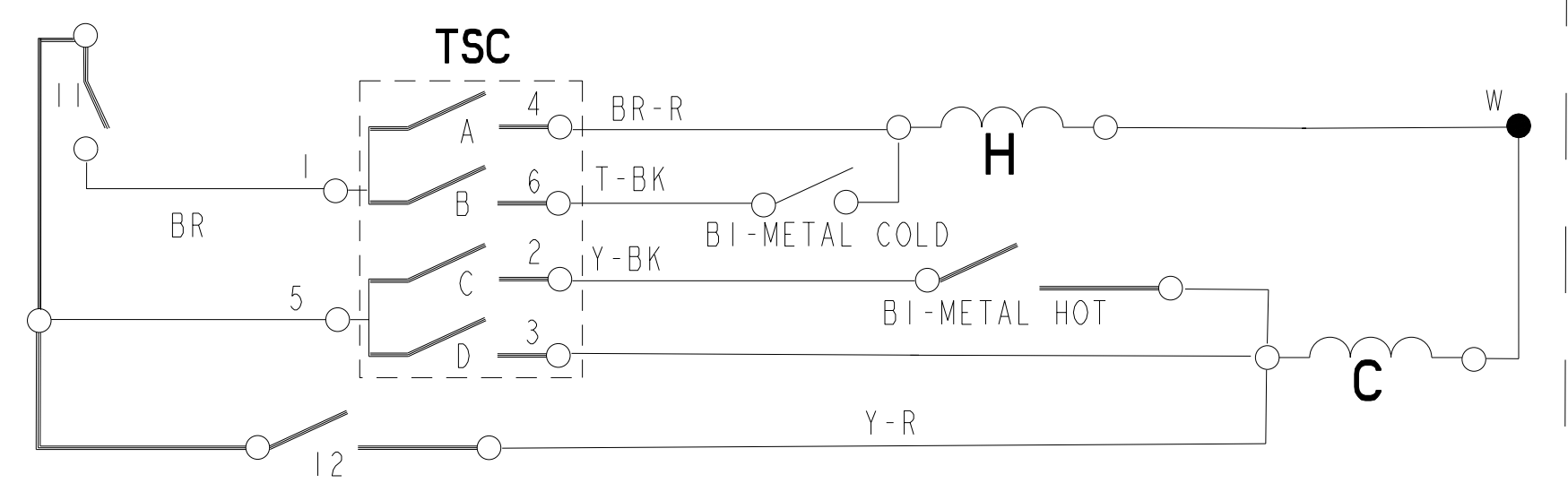
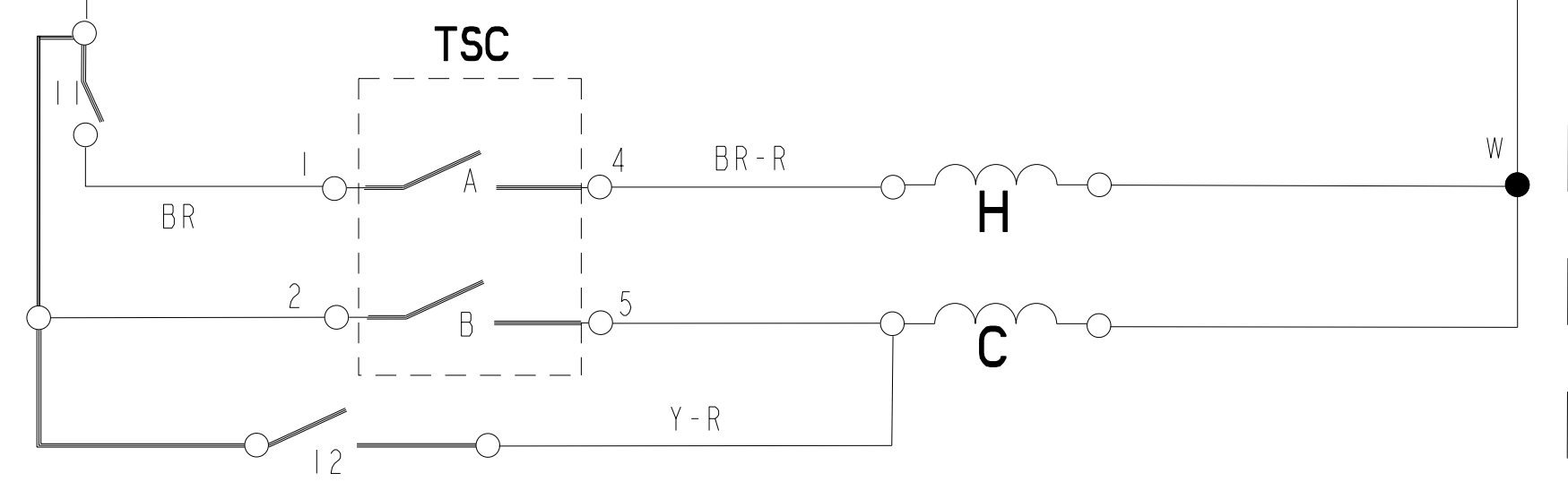
EXTRA-RINSE SUPPLEMENTAIRE RINCAGE ADICIONAL ACLARACION 3949187	
	P1
OFF/ARRET/DE	
ON / SUR / EN	X

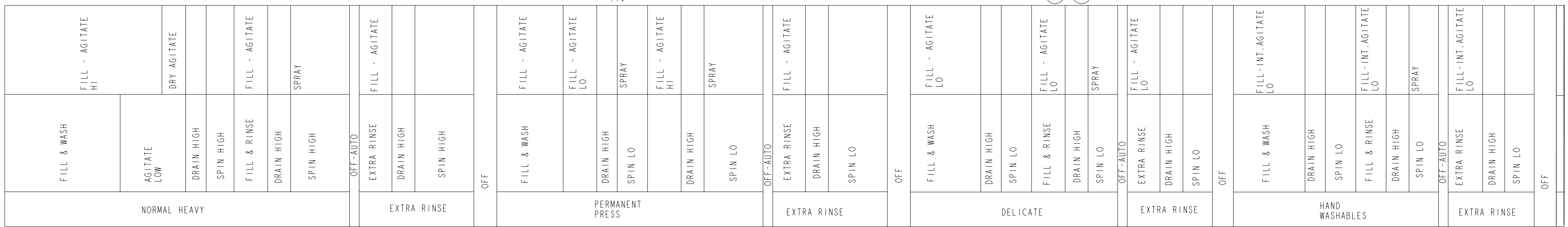
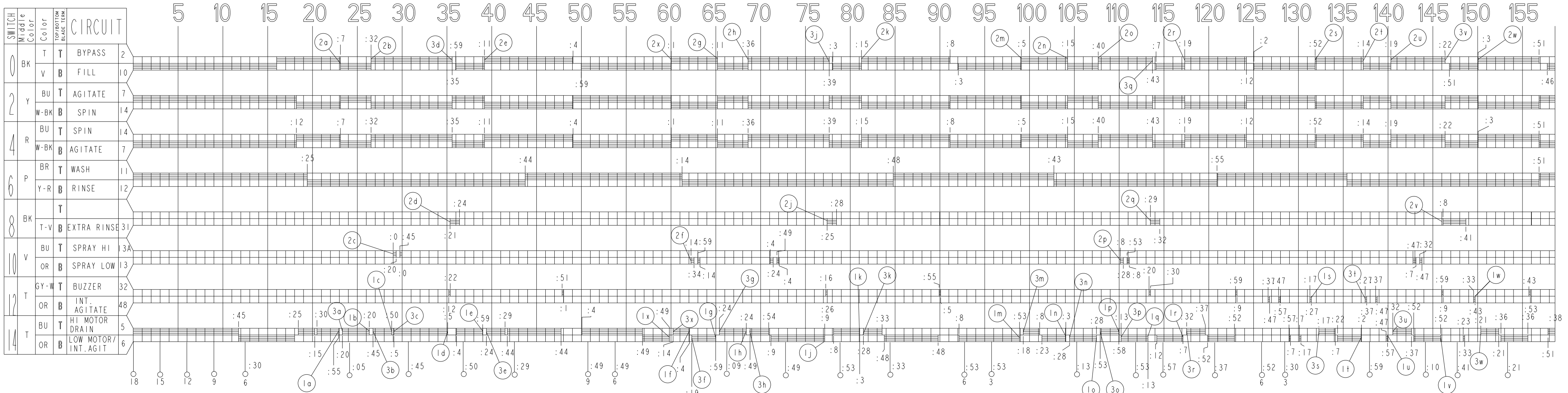
END OF CYCLE SIGNAL EXTREME DE SIGNAL DE CYCLE EXTREMO DE LA SENAL SENAL DEL CICLO 3949180	
	P2
OFF ARRET DE	
ON SUR EN	X

TSC 3949179			
SWITCH COMMUNTEUR CAMBIAN	CC	WC	HC
A		X	X
B	X	X	

TSC 8578338				
SWITCH COMMUNTEUR CAMBIAN	CC	*CC	WC	*HC
A			X	X
B		X		
C				X
D	X	X	X	

*BI-METAL CONTROLLED TEMPERATURES
*BI-MÉTAL LES TEMPÉRATURES COMMANDÉES
*BI-METAL TEMPERATURAS CONTROLADAS





KEY

- CONTACT OPEN ON CHART
- CONTACT CLOSED ON CHART
- DIAL-IN LOCATION

ENGLISH	FRENCH	SPANISH
AGITATE	AGITER	AGITAN
BLEACH	BLANCHIMENT	BLANQUEO
BUZZER	VIBEUR	SENAL SONORA
BYPASS	DERIVATION	PUENTE
DRAIN	VIDENT	DRENAN
EXTRA RINSE	RINCAGE DE PLUS	ADICIONAL ACLARACION
FILL	REPLISSAGE	LLENAN
HIGH	HAUT	ALTO
INT AGITATE	AGITER INTERMITTENT	INTERMITENTE AGITE
LO	LENT	BAJO
MED	MED	MEDIA
MOTOR	MOTEUR	MOTOR
NORMAL	NORMALE	NORMAL
PERMANENT PRESS	SYNTHETIQUES	PERMANENT PRENSA
PREWASH	PRE LAVAGE	PRE COLADA

ENGLISH	FRENCH	SPANISH
RINSE	RINCAGE	ACLARACION
SOAK	IMBIBERT	REMOJAN
SPIN	ESSORAGE	VUELTA
SPRAY	CICLAGE	AEROSOL
WASH	LAVAGE	COLADA
TIMED FILL	SYNCHRONISES REMPLISSAGE	SINCRONIZADO TERRAPLEN
1/2 TUB DRAIN	1/2 COVETTE VID	DREN DE LA TINA DEL 1/2
FAB. SOFTNER	RAMOLLISSANT DE TISSU	SUAVIZADOR DE LA TELA
DETERGENT	DETERGENT	DETERGENTE
ULTRA CLEAN	ULTRA PROPRE	ULTA LIMPIO

