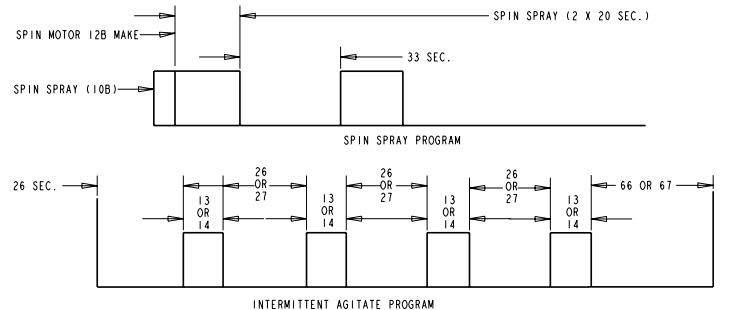


FILL - AGITATE	FILL - AGITATE MED	DRY AGITATE MED	FILL - AGITATE	SPRAY	OFF - TIMED FILL	FILL - AGITATE	OFF	FILL - AGITATE	FILL - AGITATE LO	SPRAY	FILL - AGITATE	SPRAY	OFF	FILL - AGITATE	SOAK	FILL - AGITATE	SOAK	FILL - AGITATE	SOAK	FILL - AGITATE	DRAIN HI	SPIN	OFF
FILL & WASH															FILL & SOAK		FILL & SOAK		FILL & SOAK		DRAIN HI	SPIN	
NORMAL			EXTRA RINSE			PERMANENT PRESS			SOAK			PREWASH											

ENGLISH	FRENCH	SPANISH
AGITATE	AGITER	AGITAN
BLEACH	BLANCHIMENT	BLANQUEO
BUZZER	VIBEUR	SEÑAL SONORA
BYPASS	DERIVATION	PUNTE
DRAIN	VIDENT	DRENAJ
EXTRA RINSE	RINCAGE DE PLUS	ADICIONAL ACLARACION
FILL	REMPLISSAGE	LLENAM
HIGH	HAUT	ALTO
INT AGITATE	AGITER INTERMITTENT	INTERMITENTE AGITE
LO	LENT	BAJO
MED	MED	MEDIA
MOTOR	MOTEUR	MOTOR
NORMAL	NORMAL	NORMAL
PERMANENT PRESS	SYNTHETIQUES	PERMANENT PRENSA
PREWASH	PRE LAVAGE	PRE COLADA

ENGLISH	FRENCH	SPANISH
RINSE	RINCAGE	ACLARACION
SOAK	JMBIBERT	REMOJAN
SPIN	ESSORAGE	VUELTA
SPRAY	CICLAGE	AEROSOL
WASH	LAVAGE	COLADA
TIMED FILL	SYNCHRONISES REMPLISSAGE	SYNCRONIZADO TERRAPLEN

NOTE:  
 ## NOT AVAILABLE ALL MODELS.  
 KEY  
 ■ CONTACT OPEN ON CHART  
 □ CONTACT CLOSED ON CHART



LEGEND / LEGENDE / LEYENDA

- TIMER SWITCH  
INT. DU PROGRAMMATEUR  
INTERRUPTOR DEL TEMPORIZADOR
- INT. COMP CONNECTION  
CONNEXION INTERNE DE COMPOSANT  
CONEXION INTERNO DEL COMPONENTE
- HARNESS WIRING  
FAISCEAU DE FILS  
CABLEADO DEL HARNESS
- HARNESS CONNECTION  
CONNEXION DE FILS  
CONEXION DEL HARNESS
- TERMINAL CONNECTION  
CONEXION DE LA BORNE  
TERMINAL CONEXION

WASH RINSE / RINÇAGE DE LAVAGE  
/ ACLARACION DE LA COLADA

DRIVE MOTOR / MOTEUR / IMPULSOR MOTOR

- L LOW / LENT / BAJO
- M MEDIUM / SUPPORT / MEDIA
- H HIGH / HAUT / ALTO
- S START / DEMARRER / EMPIEZAN

H HOT VALVE  
SOUPAPE D'EAU CHAUDE  
CALIENTE VALVULA

C COLD VALVE  
SOUPAPE D'EAU FROIDE  
FRIA VALVULA

ATC SENSOR / CAPTEUR D'ATC / SENSOR DEL ATC

ATC BOARD / PANNEAU D'ATC / TARJETA DEL ATC

**TSC** TEMPERATURE SWITCH CHART  
DIAGRAMME DE COMMUTEUR DE LA TEMPERATURE  
CARTA DE INTERRUPTOR DE LA TEMPERATURA

- WATER LEVEL SWITCH  
INTERRUPTEUR NIVEAU D'EAU  
INTERRUPTOR DEL NIVEL DEL AGUA
- FULL / PLEIN / POR COMPLETO
- EMPTY / VIDE / VACIO
- LID SWITCH  
INTERRUPTEUR DU COUVERCLE  
INTERRUPTOR DE LA TAPA
- TIMER MOTOR  
MOTEUR DE LA MINUTERIE  
MOTOR DEL TEMPORIZADOR
- CENTRIFUGAL SWITCH  
CONTACTEUR CENTRIFUGE  
CENTRIFUGO INTERRUPTOR

CABINET GROUND  
TERRE DU CHASSI  
CABIN MOLIDA

CAPACITOR /  
CONDENSATEUR /  
CONDENSADOR

FUSE / FUSIBLE /  
FUSIBLE

BUZZER / VIBREUR /  
SENAL SONORA

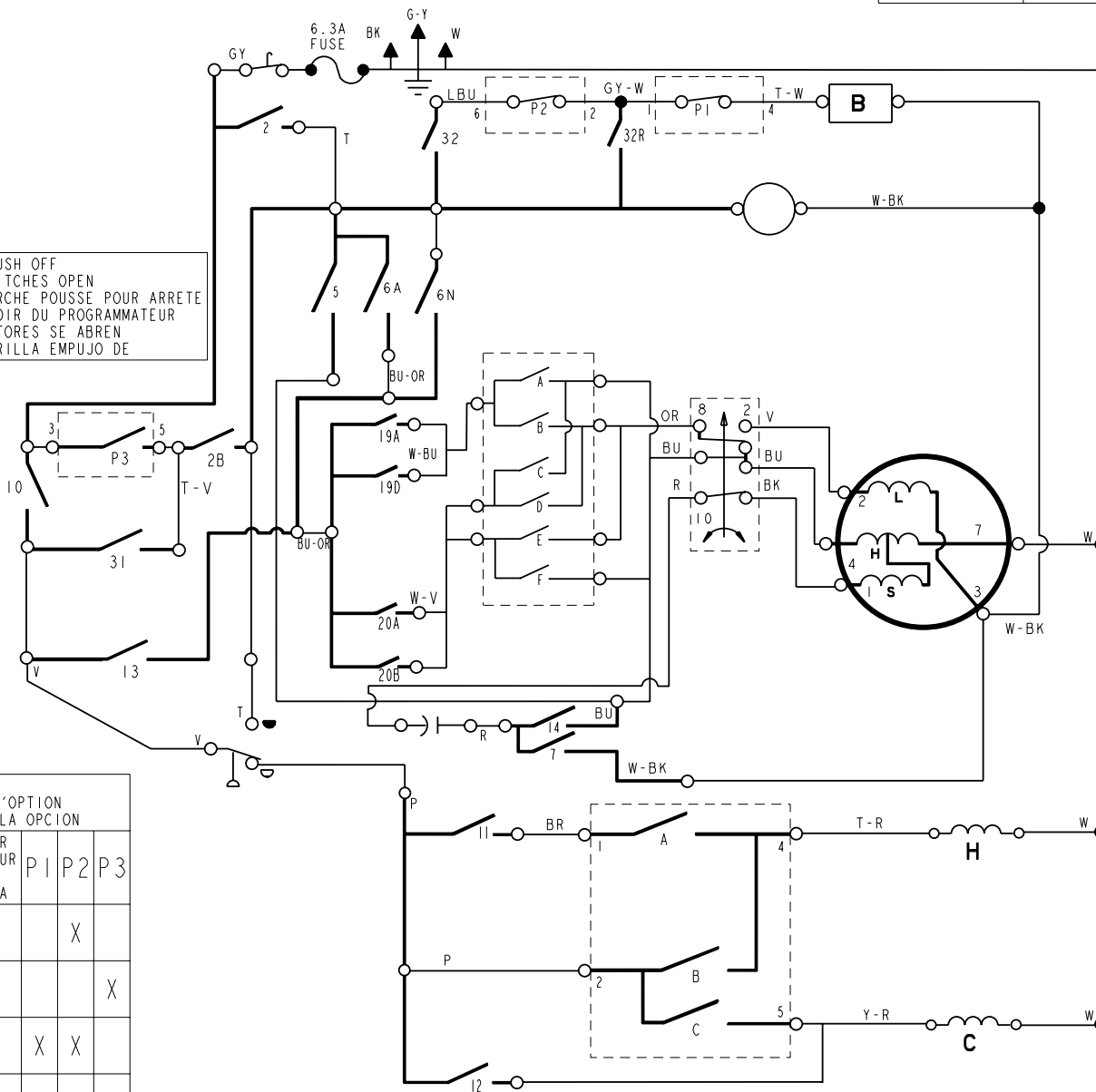
BLEACH DISPENSE CIRCUIT  
NOT USED ALL MODELS

L'AGENT DE BLANCHIMENT  
DISTRIBUENT LE CIRCUIT  
NON UTILISE TOUS LES  
MODELS

EL BLANQUEO DISPENSA EL  
CIRCUITO NO USADO  
TODOS LOS MODELOS

230V 50Hz

PART NO.	REV
NUMERO DE PIECE	REVISION
NUMERO DE PIEZA	REVISION
<b>W10155503</b>	<b>C</b>



MANUFACTURED UNDER ONE OR MORE OF THE FOLLOWING US PATENTS:

4545947, 4555919, 4566295, 4572596, 4618193, 4624117, 4643350  
 4646545, 4656844, 4656847, 4692987, 4693095, 4697293, 4700554,  
 4709951, 4715401, 4719769, 4754622, 4759202, 4774822, 4779431,  
 4782944, 4784666, 4785643, 4793820, 4807452, 4809524, 4833991,  
 4854559, 4856303, 4870988, 4888965, 4890465, 4891959, 4910979,  
 4945735, 4947516, 4969341, 4972134, 4977394, 4986093, 4987627,  
 5000016, 5031427, 5033277, 5074003, 5075613, 5113542, 5130624,  
 5150588, 5154071, 5166568, 5167722, 5172573, 5177639, 5191667,  
 5191668, 5191669, 5193361, 5199127, 5199281, 5200684, 5205141,  
 5219370, 5233118, 5249441, 5255844, 5257901, 5259217, 5269160,  
 5271251, 5297403, 5305485, 5312138, 5314044, 5345637, 5345792,  
 5345793, 5359744, 5373715, 5460018, 5493745, 5504955, 5507053,  
 5515565, 5582039, 5582199, 5651278, 5671494, 5765404, 5784902,  
 5791167, 5836180, 5852942, 5875655, 5878602, 5883490, 5946946,  
 6065171, 6070282, 6105403, 6115063, 6125490, 6185774, 6212722,  
 6227013, 6227014, 6269666, 6347645, 6363563, 6393872, 6430971,  
 6505370, 6597144, 6604298, 6685241, 6732447, 6784673, 6819255,  
 6840068, 6846790, 6860032, 6863197, 6900166, 6964360, 6966204,  
 6973740, 6973515, 7020985, 7080464, 7097667, D314263, D375390,  
 D381140, D423740, D426686, D456572, D459844, D463631, D465308,  
 D474566, D495453, D518250, D502577, D514756, D521196, D523595,  
 D524001, D527853

OPTION SWITCH CHART  
DIAGRAMME DE COMMUTEUR D'OPTION  
CARTA DEL INTERRUPTOR DE LA OPCION

EXTRA RINSE ADDITIONAL RINÇAGE ADICIONAL ACLARACION	BUZZER VIBREUR SENAL SONORA	P1	P2	P3
1 OFF ARRET DE	OFF ARRET DE		X	
2 ON SUR EN	OFF ARRET DE			X
3 OFF ARRET DE	ON SUR EN	X	X	
4 ON SUR EN	ON SUR EN	X		X

MANUFACTURED UNDER ONE OR MORE OF THE FOLLOWING CANADIAN PATENTS:

FABRIQUE SOUS UN OU PLUSIEURS DES BREVETS CANADIENS SUIVANTS:

1228410, 1233039, 1233658, 1282557,  
 1287338, 1289866, 1298988, 1301469,  
 1306367, 1313770, 2018975, 2022266,  
 2043393, 2056969, 2086151, D76618

MANUFACTURADO BAJO UNA O MAS DE LAS SIGUIENTES PATENTES MEXICANAS:

159840, 159983, 161744, 163722, 164305, 164407,  
 165938, 165992, 170221, 174138, 174478, 174483,  
 177764, 177766, 181185, 182183, 182396, 182632,  
 187728, 189682, 189766, 192502, 192503, 198393,  
 199844, 205519, 211042

**TSC W10M368**

POS	A	B	C
1			X
2	X		X
3		X	X
4	X		

WASH ACTION SWITCH W10150079

CYCLE	MOTOR SPEED					
	AGITATE	SPIN	A	B	C	D E F
DELICATE	LO	LO	X			X
CASUAL	LO	HI	X			X
NORMAL	HI	LO	X		X	
ULTRA CLEAN	HI	HI	X	X		