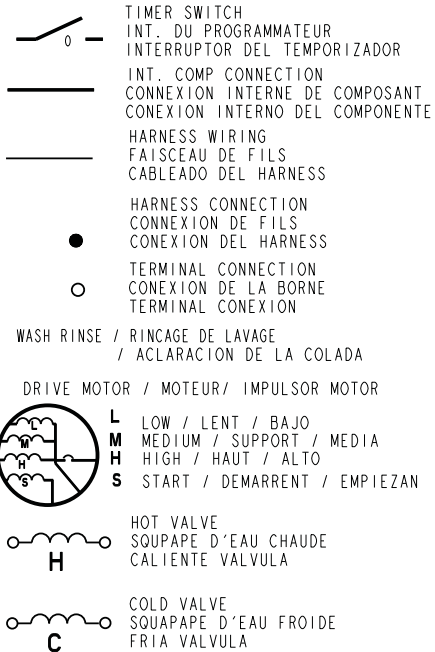


LEGEND / LEGENDE / LEYENDA



WATER LEVEL SWITCH  
INTERRUPTEUR NIVEAU D'EAU  
INTERRUPTOR DEL NIVEL DEL AGUA

● FULL / PLEIN / POR COMPLETO

○ EMPTY / VIDE / VACIO

LID SWITCH  
INTERRUPTEUR DU COUVERCLE  
INTERRUPTOR DE LA TAPA

TIMER MOTOR  
MOTEUR DE LA MINUTERIE  
MOTOR DEL TEMPORIZADOR

CENTRIFUGAL SWITCH  
CONTACTEUR CENTRIFUGE  
CENTRIFUGO INTERRUPTOR

⊥ CABINET GROUND  
TERRE DU CHASSI  
CABIN MOLIDA

○ → ⊥ CAPACITOR / CONDENSATEUR /  
CONDENSADOR

○ B BUZZER / VIBREUR / SENAL SONORA

TSC TEMPERATURE SWITCH CHART  
DIAGRAMME DE COMMUTEUR DE LA TEMPERATURE  
CARTA DE INTERRUPTOR DE LA TEMPERATURA

BI-METAL  
BI-MÉTAL  
BI-METAL

EXTRA-RINSE SUPPLEMENTAIRE RINCAGE ADICIONAL ACLARACION	
	PI
OFF/ARRET/DE	
ON / SUR / EN	X

MANUFACTURED UNDER ONE OR MORE  
OF THE FOLLOWING US PATENTS:

4545947, 4555919, 4566295, 4572596, 4618193,  
4624117, 4643350, 4646545, 4656844, 4658487,  
4692987, 4693095, 4697293, 4700554, 4709951,  
4715401, 4719196, 4754622, 4759502, 4774822,  
4776451, 4782544, 4784686, 4785643, 4793820,  
4807452, 4809524, 4835991, 4854559, 4856303,  
4870980, 4889965, 4890465, 4891959, 4910919,  
4945735, 4947516, 4969341, 4972134, 4977394,  
4986093, 4991627, 5000101, 5031427, 5032777,  
5074003, 5075613, 5113542, 5130624, 5150588,  
5164071, 5166368, 5167722, 5172513, 5177659,  
5191687, 5191689, 5191698, 5193361, 5199127,  
5199281, 5200864, 5205141, 5219310, 5233718,  
5249441, 5255844, 5273901, 5292177, 5269160,  
5271251, 5297403, 5305485, 5312138, 5314044,  
5345637, 5345792, 5345793, 5359744, 5373715,  
5400108, 5493743, 5504925, 5507053, 5515655,  
5582039, 5582199, 5651278, 5671494, 5765404,  
5784902, 5791161, 5836180, 5852942, 5876555,  
5878602, 5883490, 5946946, 6065171, 6070282,  
6105403, 6115065, 6125490, 6185774, 6212722,  
6227013, 6227014, 6269866, 6347445, 6363563,  
6393872, 6430971, 6505370, 6314263, 6375390,  
6381140, 6423740, 6426086, 6456572,  
6459844, 6463831, 6465308

FABRIQUÉ SOUS UN OU PLUSIEURS  
DES BREVETS CANADIENS SUIVANTS:

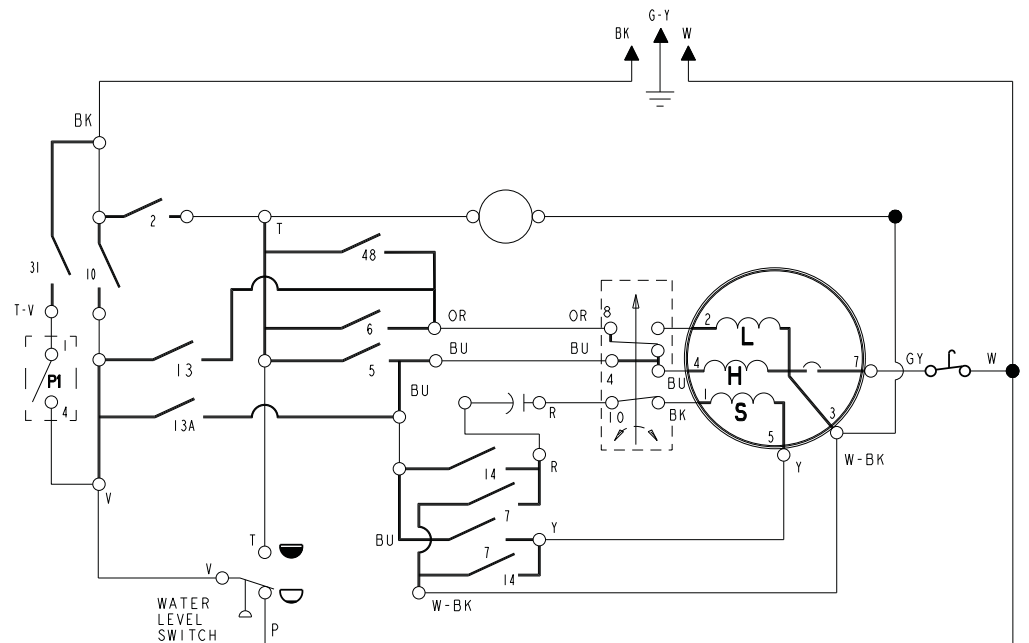
1226410, 1233039, 1233658, 1262557,  
1287336, 1288966, 1298980, 1301469,  
1306367, 1313770, 2018975, 2022266,  
2043393, 2056969, 2066151, 016618

MANUFACTURADO BAJO UNA O MAS DE  
LAS SIGUIENTES PATENTES MEXICANAS:

159640, 159983, 161744, 163722, 164305,  
164407, 165938, 165992, 170221, 174136,  
174478, 174483, 177764, 177766, 181185,  
182193, 182396, 182832, 181728, 198682,  
189766, 192502, 192503, 198393, 198844,  
205519, 211042

TIMER KNOB PUSH OFF  
ALL TIMER SWITCHES OPEN  
TIRE POUR MARCHE POUSSÉ POUR ARRÊTE  
BOUON-FOUSOIR DU PROGRAMMATEUR  
LOS INTERRUPTORES SE ABREN  
CUANDO LA PERILLA EMPUJO DE

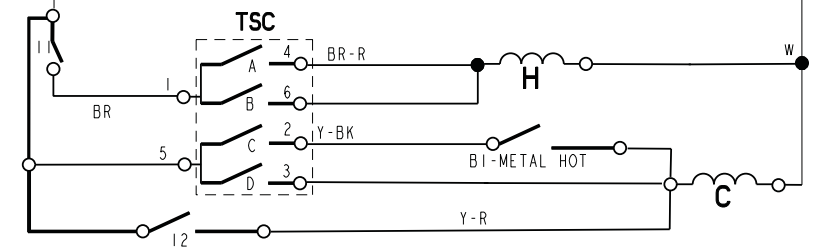
PART NO. NUMERO DE PIECE NUMERO DE PIEZA	REV REVISION REVISION
W10175555	A



TSC 8578337

SWITCH COMMUTEUR CAMBIAN	CC	WC	*HC
A			X
B		X	
C			X
D	X	X	

\*BI-METAL CONTROLLED TEMPERATURES  
\*BI-MÉTAL LES TEMPERATURES COMMANDÉES  
\*BI-METAL TEMPERATURAS CONTROLADAS

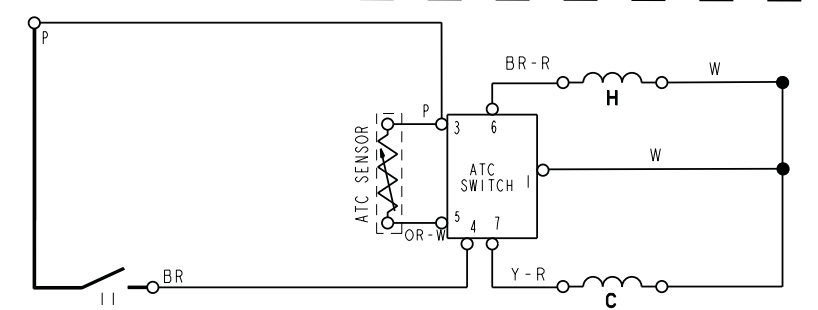


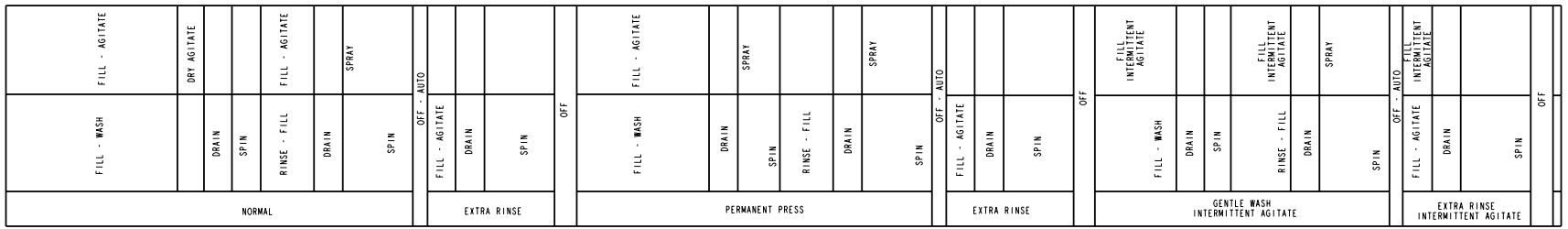
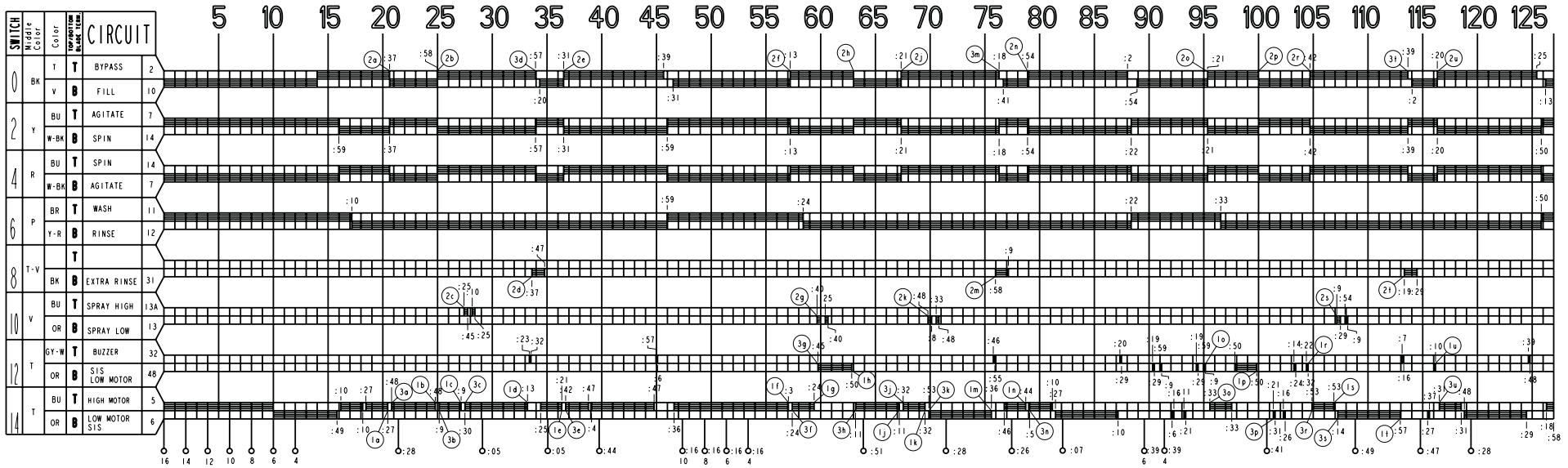
TSC W1013058

POS	WASH / RINSE	WASH TEMP	RINSE TEMP
1	C/C	COLD	COLD
2	C/C	62°	COLD
3	W/C	78°	COLD
4	H/C	105°	COLD

TSC 8578335

POS	WASH / RINSE	WASH TEMP	RINSE TEMP
1	C/C	COLD	COLD
2	C/C	70°	COLD
3	W/C	93°	COLD
4	H/C	110°	COLD



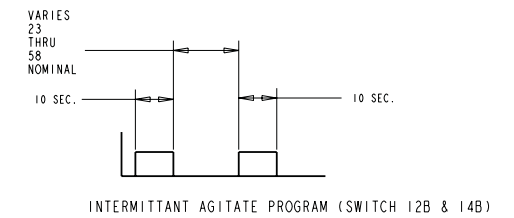
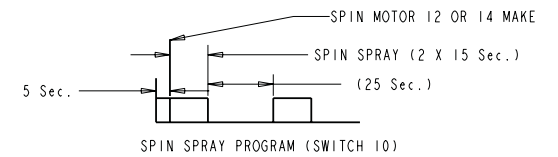


KEY

- CONTACT OPEN ON CHART
- CONTACT CLOSED ON CHART
- ⊕ DIAL-IN LOCATION

ENGLISH	FRENCH	SPANISH
AGITATE	AGITER	AGITAN
BLEACH	BLANCHIMENT	BLANQUEO
BUZZER	VIBEUR	SENAL SONORA
BYPASS	DERIVATION	PUENTE
DRAIN	VIDENT	DRENAN
EXTRA RINSE	RINCAGE DE PLUS	ADICIONAL ACLARACION
FILL	REPLISSAGE	LLENAN
HIGH	HAUT	ALTO
INT AGITATE	AGITER INTERMITTENT	INTERMITENTE AGITE
LO	LENT	BAJO
MED	MED	MEDIA
MOTOR	MOTEUR	MOTOR
NORMAL	NORMALE	NORMAL
PERMANENT PRESS	SYNTHETIQUES	PERMANENT PRENSA
PREWASH	PRE LAVAGE	PRE COLADA

ENGLISH	FRENCH	SPANISH
RINSE	RINCAGE	ACLARACION
SOAK	IMBIBERT	REMOJAN
SPIN	ESSORAGE	VUELTA
SPRAY	CICLAGE	AEROSOL
WASH	LAVAGE	COLADA
TIMED FILL	SYNCHRONISES REPLISSAGE	SINCRONIZADO TERRAPLEN
1/2 TUB DRAIN	1/2 COVETTE VID	DREN DE LA TINA DEL 1/2
FAB. SOFTNER	RAMOLLISSANT DE TISSU	SUAVIZADOR DE LA TELA
DETERGENT	DETERGENT	DETERGENTE
ULTRA CLEAN	ULTRA PROPRE	ULTA LIMPIO



INTERMITTANT AGITATE PROGRAM (SWITCH 12B & 14B)