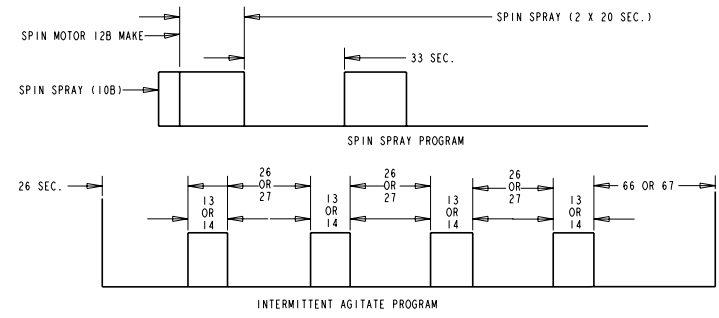


FILL - AGITATE	FILL - AGITATE MED	DRY AGITATE MED	FILL - AGITATE	SPRAY	OFF - TIMED FILL	FILL - AGITATE	OFF	FILL - AGITATE	FILL - AGITATE LO	SPRAY	FILL - AGITATE	SPRAY	OFF	FILL - AGITATE	SOAK	FILL - AGITATE	SOAK	FILL - AGITATE	OFF	
FILL & WASH		DRAIN HI	SPIN	DRAIN HI	SPIN	DRAIN HI	SPIN	OFF		DRAIN HI	SPIN	DRAIN HI	SPIN	SPIN HI	FILL & SOAK		FILL & SOAK	DRAIN HI	SPIN	OFF
NORMAL					EXTRA RINSE			PERMANENT PRESS					SOAK			PREWASH				

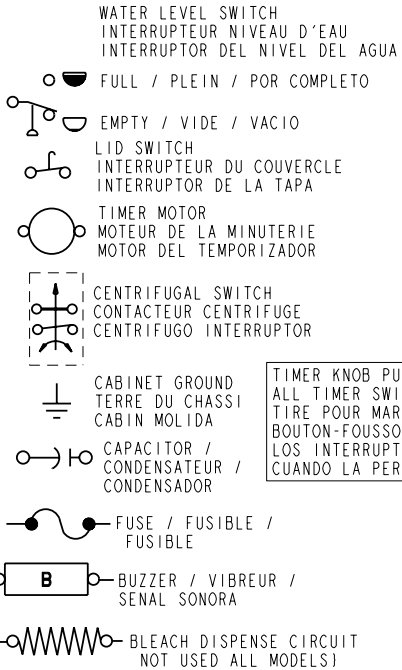
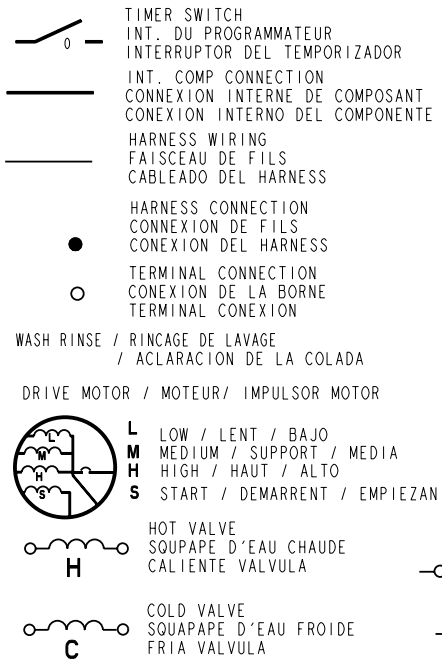
ENGLISH	FRENCH	SPANISH
AGITATE	AGITAN	ACLARACION
BLEACH	BLANCHIMENT	BLANQUEO
BUZZER	VIBEUR	SERNA SONORA
BYPASS	DERIVATION	PUENTE
DRAIN	VIDENT	DREAN
EXTRA RINSE	RINCAGE DE PLUS	ADICIONAL ACLARACION
FILL	REMPLISSAGE	LLENAN
HIGH	HAUT	ALTO
INT AGITATE	AGITER INTERMITTENT	INTERMITENTE AGITE
LO	BAJO	BAJO
MED	MEDIA	MEDIA
MOTOR	MOTEUR	MOTOR
NORMAL	NORMALE	NORMALE
PERMANENT PRESS	SYNTHETIQUES	PERMANENTE PRENSA
PREWASH	PRE LAVAGE	PRE COLADA

ENGLISH	FRENCH	SPANISH
RINSE	RINCAGE	ACLARACION
SOAK	IMBIBET	REMOLAN
SPIN	ESSORAGE	VUELTA
SPRAY	CICLAGE	AEROSOL
WASH	LAVAGE	COLADA
TIMED FILL	SYNCHRONISES REMPLISSAGE	SYNCRONIZADO TERRAPLEN

NOTE:  
 ## NOT AVAILABLE ALL MODELS.  
 KEY  
 CONTACT OPEN ON CHART  
 CONTACT CLOSED ON CHART

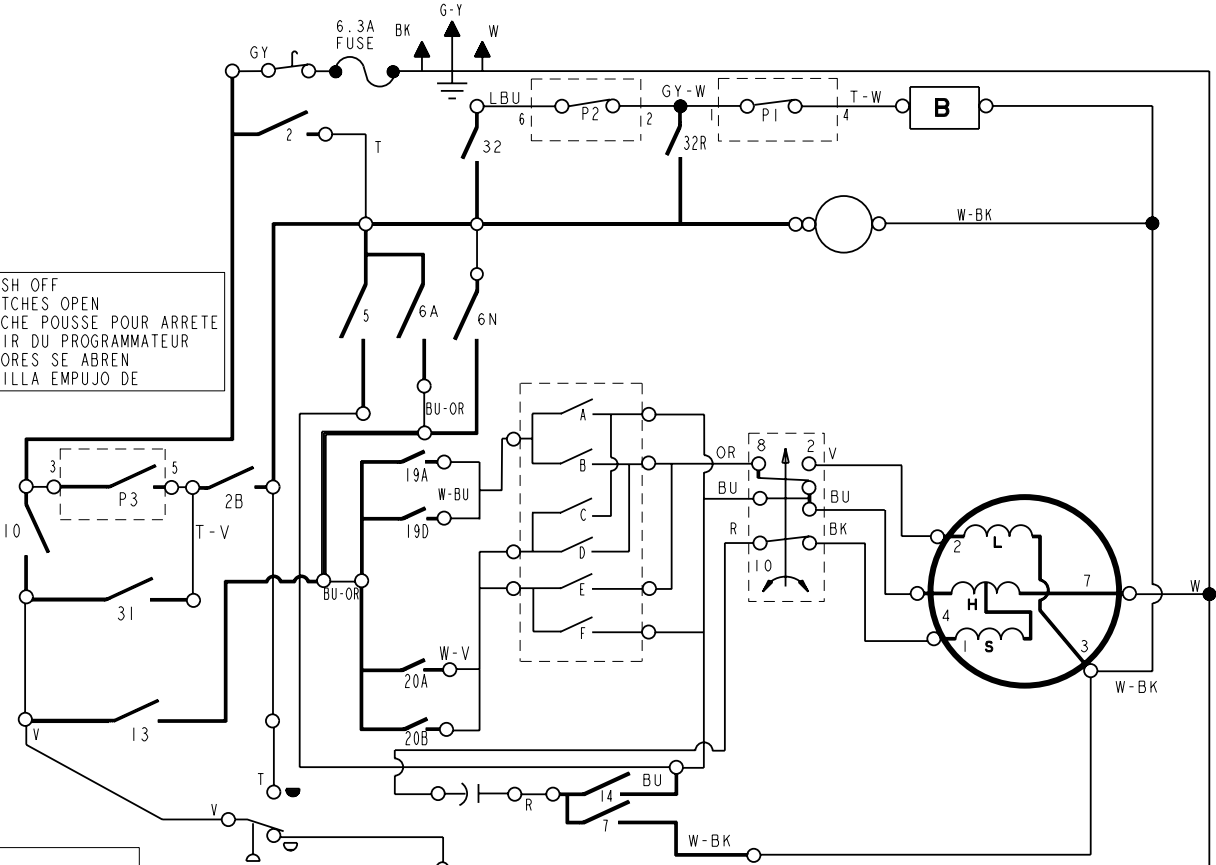


LEGEND / LEGENDE / LEYENDA



240V 50Hz

PART NO. NUMERO DE PIECE NUMERO DE PIEZA	REV REVISION REVISION
W10178189	C



MANUFACTURED UNDER ONE OR MORE OF THE FOLLOWING US PATENTS:

- 4545947, 4555919, 4566295, 4572596, 4618193, 4624117, 4643350
- 4646545, 4656844, 4656847, 4692907, 4693095, 4697293, 4700554,
- 4709951, 4715401, 4719769, 4754622, 4754622, 4759202, 4774822, 4779431,
- 4782544, 4784666, 4785643, 4793820, 4807452, 4809524, 4835991,
- 4854559, 4856303, 4870988, 4888965, 4890465, 4891959, 4910919,
- 4945735, 4947516, 4969341, 4972134, 4977394, 4986093, 4987627,
- 5000016, 5031427, 5033277, 5074003, 5075613, 5113542, 5130624,
- 5150588, 5154071, 5166568, 5167722, 5172573, 5177659, 5191667,
- 5191668, 5191669, 5193361, 5199127, 5199281, 5200884, 5205141,
- 5219370, 5233718, 5249441, 5255844, 5257901, 5259217, 5269160,
- 5271251, 5297403, 5305485, 5312138, 5314044, 5345637, 5345792,
- 5345793, 5359744, 5373715, 5460018, 5493745, 5504955, 5507053,
- 5515565, 5582039, 5582199, 5651278, 5671494, 5765404, 5784902,
- 5791167, 5836180, 5852942, 5875655, 5878602, 5883490, 5946946,
- 6065171, 6070282, 6105403, 6115863, 6125490, 6195774, 6212722,
- 6227013, 6227014, 6269666, 6347645, 6363563, 6393872, 6430971,
- 6505370, 6597144, 6604298, 6685241, 6732447, 6784673, 6819255,
- 6840068, 6846790, 6860032, 6863197, 6900166, 6964360, 6966204,
- 6973740, 6973515, 7020985, 7080464, 7097667, 0314263, 0375390,
- 0381140, 0423740, 0426686, 0436572, 0459844, 0463631, 0465308,
- 0474566, 0493453, 0518250, 0502577, 0514756, 0521196, 0523595,
- 0524001, 0527853

OPTION SWITCH CHART  
DIAGRAMME DE COMMUTATEUR D'OPTION  
CARTA DEL INTERRUPTOR DE LA OPCION

EXTRA RINSE SUPPLEMENTAIRE RINCAGE ADICIONAL ACLARACION		BUZZER VIBREUR SENAL SONORA		
		P1	P2	P3
1	OFF ARRET DE		X	
2	ON SUR EN			X
3	OFF ARRET DE	X	X	
4	ON SUR EN	X		X

MANUFACTURED UNDER ONE OR MORE OF THE FOLLOWING CANADIAN PATENTS:

- FABRIQUE SOUS UN OU PLUSIEURS DES  
BREVETS CANADIENS SUIVANTS:
- 1228410, 1233039, 1233658, 1282557,
- 1287338, 1288966, 1298988, 1301469,
- 1306367, 1313770, 2018975, 2022266,
- 2043393, 2056969, 2086151, D76618

MANUFACTURADO BAJO UNA O MAS DE LAS SIGUIENTES  
PATENTES MEXICANAS:

- 159840, 159983, 161744, 163722, 164305, 164407,
- 165938, 165992, 170221, 174138, 174478, 174483,
- 177764, 177766, 181185, 182183, 182396, 182632
- 187728, 189682, 189766, 192502, 192503, 198393,
- 199844, 205519, 211042

W10169172 TSC		ATC TEMPS * 75° F ± 5° F = 24° C ± 2.8° C # 100° F ± 5° F = 38° C ± 2.8° C				
POS	WASH RINSE	A	B	C	D	E
1	HC	X				
2	#WC	X		X		
3	*CC		X			X
4	#WW	X		X	X	

WASH ACTION SWITCH W10150079						
CYCLE	MOTOR SPEED					
	AGITATE	SPIN	A	B	C	D E F
DELICATE	LO	LO	X			X
CASUAL	LO	HI	X	X		X
NORMAL	HI	LO	X		X	
ULTRA CLEAN	HI	HI	X	X		