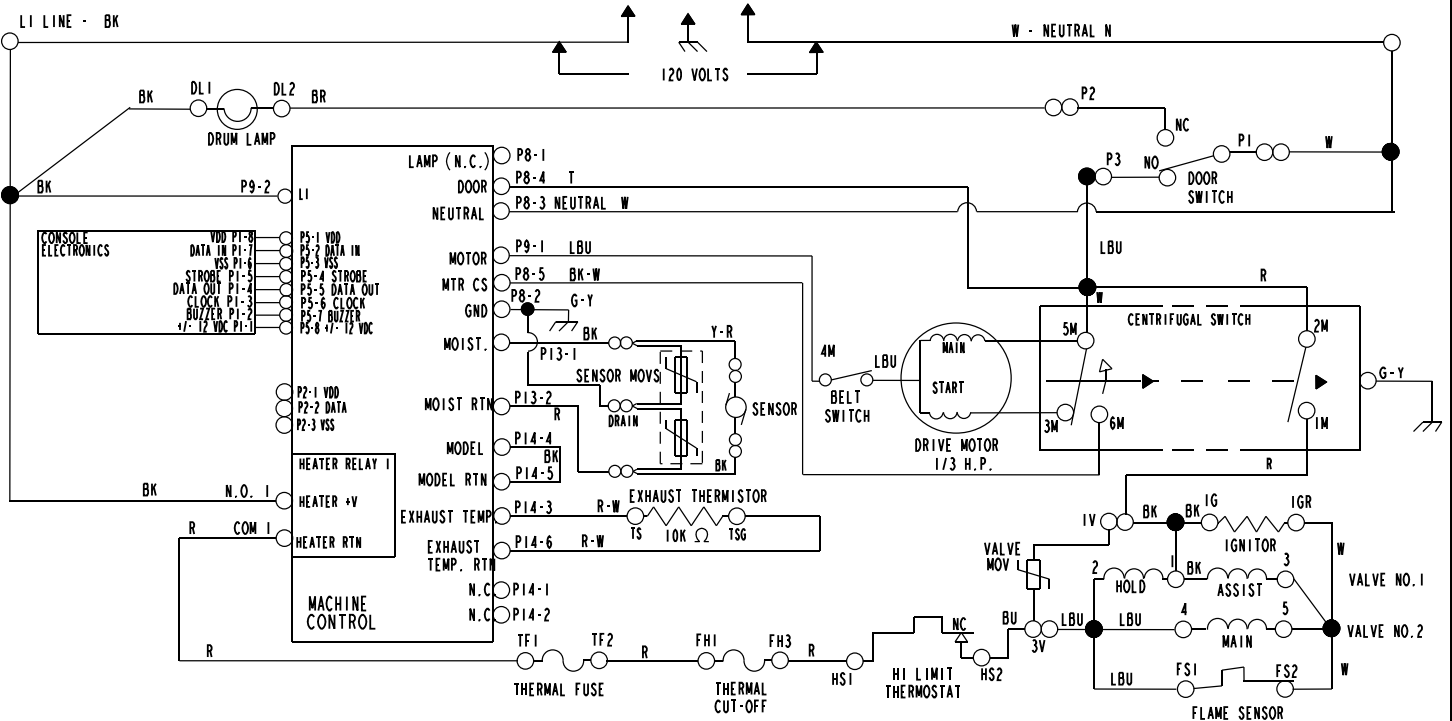
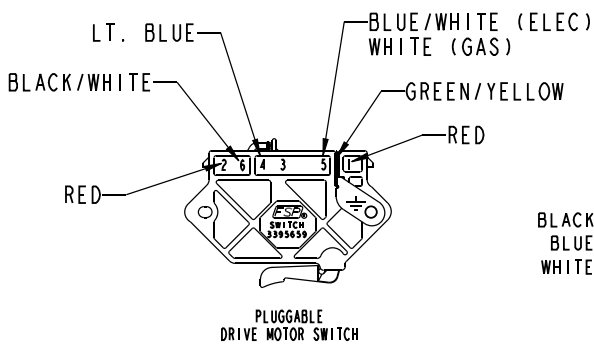


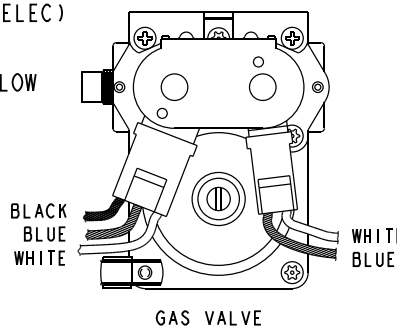
WIRING DIAGRAM - ELECTRIC



WIRING DIAGRAM - GAS

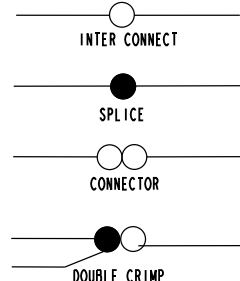


PLUGGABLE DRIVE MOTOR SWITCH



GAS VALVE

LEGEND



SOFTWARE COPYRIGHTED
MANUFACTURED UNDER ONE OR MORE OF
THE FOLLOWING U.S. PATENTS:

4669200	4989347	6446357	D31426
4700495	5066050	6597144	D31426
4754556	5560120	6604298	D45799
4840285	5809828	6685241	D45799
4865366	6020698	6732447	D45799
4899464	6047486	6784673	D45799
4908959	6199300	6819255	D45799