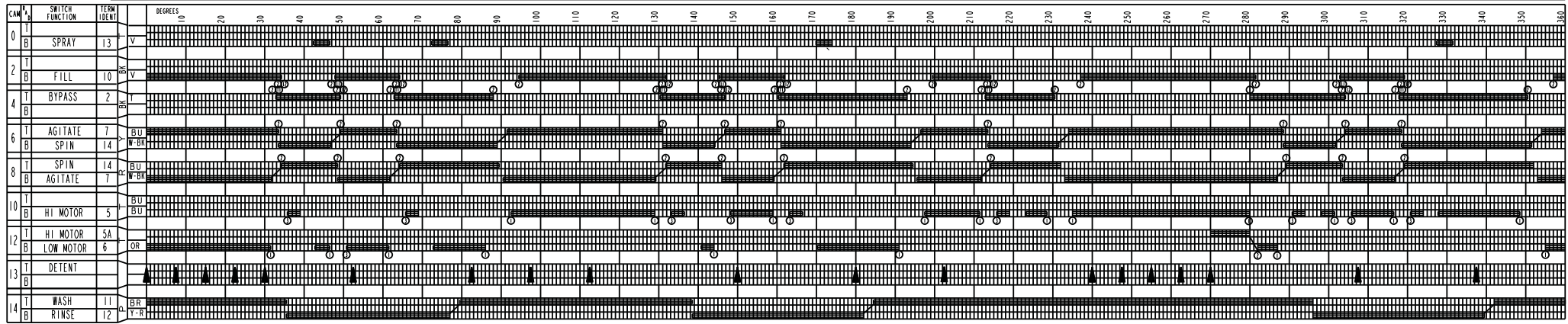
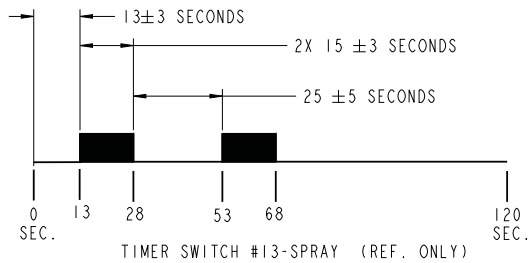


120 SECONDS PER STEP

MACHINE FUNCTION		DELICATE										PERMANENT PRESS										PREWASH			NORMAL									
FILL-AGITATE WASH LOW		DRAIN										DRAIN										OFF			FILL - AGITATE WASH HI									
DRY - AGITATE WASH HI		SPIN - SPIN LOW										SPIN LO										OFF			LO									
FILL - AGITATE RINSE LOW		DRAIN										DRAIN										OFF			DRY - AGITATE									
SPRAY		SPIN LOW										SPIN LO										OFF			DRAIN									
OFF		OFF										OFF										OFF			SPIN HI									
FILL - AGITATE WASH HI		OFF										OFF										OFF			FILL - AGITATE WASH HI									
DRY - AGITATE		OFF										OFF										OFF			LO									
DRAIN		OFF										OFF										OFF			DRY - AGITATE									
SPIN HI		OFF										OFF										OFF			DRAIN									
FILL - AGITATE RINSE HI		OFF										OFF										OFF			SPIN HI									
DRAIN		OFF										OFF										OFF			FILL - AGITATE RINSE HI									
SPRAY		OFF										OFF										OFF			DRAIN									
OFF		OFF										OFF										OFF			SPIN HI									
OFF		OFF										OFF										OFF			OFF									



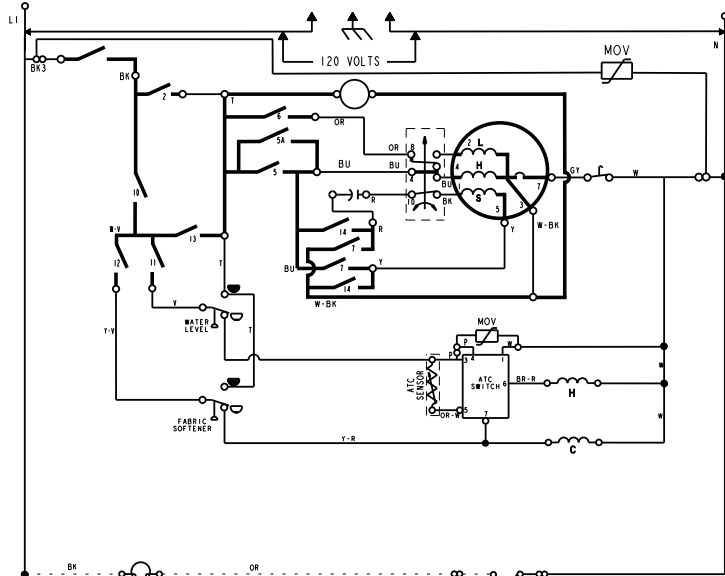
INTERVAL NUMBER	INTERVAL STEP	ACCUMULATED DEGREES
1	1.5°	0.00°
2	1.5°	1.50°
3	1.5°	3.00°
4	1.5°	4.50°
5	1.5°	6.00°
6	1.5°	7.50°
7	1.5°	9.00°
8	1.5°	10.50°
9	1.5°	12.00°
10	1.5°	13.50°
11	1.5°	15.00°
12	1.5°	16.50°
13	1.5°	18.00°
14	1.5°	19.50°
15	1.5°	21.00°
16	1.5°	22.50°
17	1.5°	24.00°
18	1.5°	25.50°
19	1.5°	27.00°
20	1.5°	28.50°
21	1.5°	30.00°
22	1.5°	31.50°
23	1.5°	33.00°
24	1.5°	34.50°
25	1.5°	36.00°
26	1.5°	37.50°
27	1.5°	39.00°
28	1.5°	40.50°
29	1.5°	42.00°
30	1.5°	43.50°
31	1.5°	45.00°
32	1.5°	46.50°
33	1.5°	48.00°
34	1.5°	49.50°
35	1.5°	51.00°
36	1.5°	52.50°
37	1.5°	54.00°
38	1.5°	55.50°
39	1.5°	57.00°
40	1.5°	58.50°
41	1.5°	60.00°
42	1.5°	61.50°
43	1.5°	63.00°
44	1.5°	64.50°
45	1.5°	66.00°
46	1.5°	67.50°
47	1.5°	69.00°
48	1.5°	70.50°



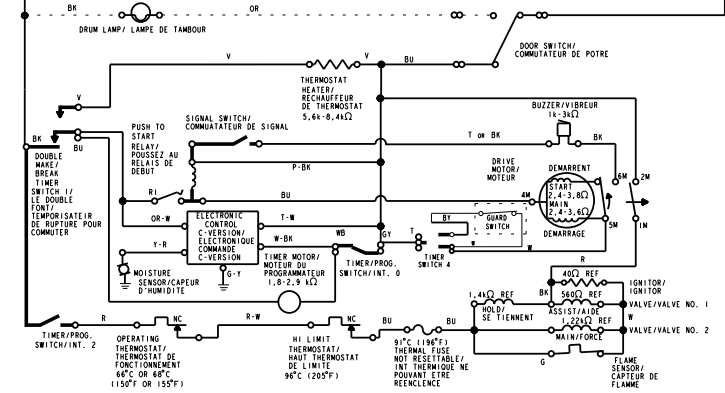
LEGEND	LEGENDE	LEYENDA	LEGEND	LEGENDE	LEYENDA
1/2 TUB DRAIN	1/2 COVETTE VID	DREN DE LA TINA DEL 1/2	SWITCH FUNCTION	COMMUTEZ LA FONCTION	CAMBIE LA FONCTION
SPRAY	GICLAGE	AEROSOL	CAM	CAME	LEVA
BYPASS	DERIVATION	PUENTE	OFF	ARRET	DE
FILL	REPLISSAGE	LLENAN	COOL DOWN	REFROIDISSEZ	REFRESO 'UESE ABAJO
AGITATE	AGITER	AGITAN	SPIN LOW	ROTATION BASSE	VUELTA BAJA
SPIN	ESSORAGE	VUELTA	RINSE LOW	RINCAGE BAS	ACLARACION BAJA
HI MOTOR	MOTEUR RAPIDE	ALTO MOTOR	WASH LOW	LAVAGE BAS	COLADA BAJA
LOW MOTOR	MOTEUR BAS	BAJO MOTOR	WASH HI	LAVAGE HAUT	COLADA ALTA
WARM/COLD	CHAUDE/FROIDE	CALIENTESE/FRIO	SPIN HI	ROTATION HAUTE	VUELTA ALTA
WASH	LAVAGE	COLADA	CASUAL	OCCASIONEL	OCASIONAL
RINSE	RINCAGE	ACLARACION	QUICK	VITE	APRISA
DRAIN	VIDENT	DRENAN	NORMAL	NORMALE	NORMAL
DRY/AGITATE	SECHER/AGITER	SECO/AGITAN	TERMINAL IDENTIFIER	TERMINAL IDENTIFICATEUR	TREMINAL IDENTIFICADOR
PRE WASH	PRE LAVAGE	PRE COLADA	STEP	ETAPE	PASO DE PROGRESION
SOAK	IMBIBENT	REMOJAN	SECONDS	SECONDES	SEGUNDOS
DELICATE	SENSIBLE	DELICADO			
PERMANENT PRESS	SYNTHETIQUES	PERMANENTE PRENSA			
REGULAR	REGULIER	REGULAR			
HEAVY	LOURD	PESADO			
EXTRA RINSE	SUPPLEMENTAIRE RINCAGE	ADICIONAL ACLARACION			
MACHINE FUNCTION	FUNTION DE MACHINE	FUNCIÓN DE LA MAQUINA			

TIMER KNOB PUSH OFF ALL TIMER SWITCHES OPEN
 BOUTON DE LA MINUTERIE ENFONCE (ARRET)-TOUS LES
 AUTRES COMMUTEURS DE LA MINUTERIE OUVERTS
 PERILLA DEL TEMPORIZADOR OPRIMIDA (APAGADO)-TODOS
 LOS INTERRUPTORES DEL TEMPORIZADOR ABIERTOS

TIMER POSITION	DRYER TIMER SWITCH						LEGEND
	START	STOP	WASH	RINSE	SPIN	OFF	
AUTO-REGULAR	+	+	+	+	+	+	- OPEN
AUTO-SOFT/LOW HEAT	+	+	+	+	+	+	- CLOSED
COOL DOWN/AIR	+	+	+	+	+	+	- DOES 'T MATTER
END OF CYCLE	+	+	+	+	+	+	- CLOSED INTERMITTENTLY
TIMED-REGULAR	+	+	+	+	+	+	
TIMED-SOFT/LOW HEAT	+	+	+	+	+	+	
GUARD	+	+	+	+	+	+	



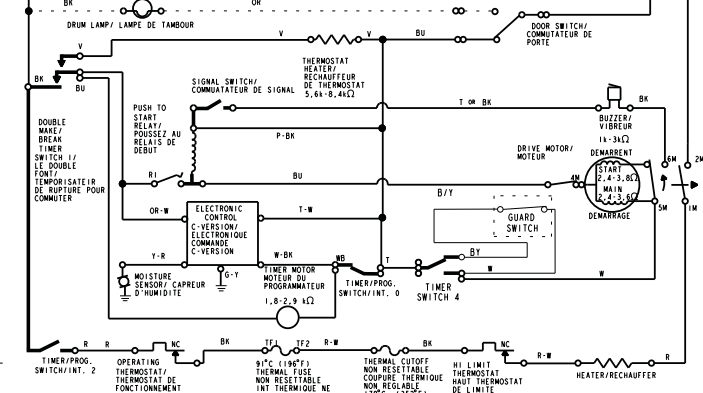
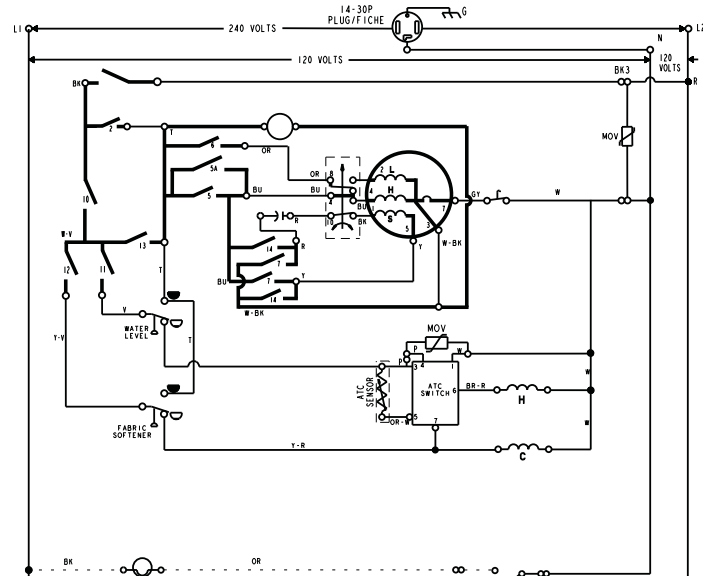
WASHER WIRING
 DIAGRAM /
 DIAGRAMME DE
 CABLAGE DE
 RONDELLE /
 DIGRAMA
 ELECTRICO DE
 LA ARANDELA



DRYER WIRING
 DIAGRAM /
 DIAGRAMME DE
 CABLAGE DE
 DESSICCATEUR /
 DIGRAMA
 ELECTRICO DEL
 SECADOR

TSC W1014118			
POS	WASH / RINSE	WASH TEMP	RINSE TEMP
1	C/C	COLD	COLD
2	C/C	70°	COLD
3	W/C	78°	COLD
4	H/C	105°	COLD

PART NO/ NUMERO DE PIECE	REV/ REVISION
W10364012	A



FSOU - GAS

LEGEND / LEGENDE / LEYENDA

- TIMER SWITCH
INT. DU PROGRAMMEUR
INTERRUPTOR DEL TEMPORIZADOR
- INT. COMP CONNECTION
CONNEXION INTERNE DE COMPOSANT
CONNEXION INTERNO DEL COMPONENTE
- HARNESS WIRING
FAISCEAU DE FILS
CABLEADO DEL HARNESS
- HARNESS CONNECTION
CONNEXION DE FILS
CONNEXION DEL HARNESS
- TERMINAL CONNECTION
CONNEXION DE LA BORNE
TERMINAL CONEXION
- CABINET GROUND
TERRE DU CHASSI
CABIN MOLIDA
- TIMER MOTOR
MOTEUR DE LA MINUTERIE
MOTOR DEL TEMPORIZADOR
- LID SWITCH
INTERRUPTEUR DU COUVERCLE
INTERRUPTOR DE LA TAPA
- PUSH TO START
POUSSEZ AU DEBUT
EMPUJE AL COMIENZO
- WASH RINSE
RINCAGE DE LAVAGE
ACLARACION DE LA COLADA
- HOT VALVE
SOUPAPE D'EAU CHAUDE
CALIENTE VALVULA
- COLD VALVE
SOUPAPE D'EAU FROIDE
FRIA VALVULA

- TSC TEMPERATURE SWITCH CHART
DIAGRAMME DE COMMUTEUR DE LA TEMPERATURE
CARTA DE INTERRUPTOR DE LA TEMPERATURA
- DOOR SWITCH
COMMUTEUR DE PORTE
INTERRUPTOR DE LA PUERTA
- DRIVE MOTOR
MOTEUR
IMPULSOR MOTOR
- L LOW/LENT/BAJO
M MEDIUM/SUPPORT/MEDIA
H HIGH/HAUT/ALTO
S START/DEMARRENT/EMPIEZAN
- CENTRIFUGAL SWITCH
CONTACTEUR CENTRIFUGE
CENTRIFUGO INTERRUPTOR

- BUZZER
VIBREUR
ZUMBADOR
- WATER LEVEL SWITCH
INTERRUPTEUR NIVEAU D'EAU
INTERRUPTOR DEL NIVEL DEL AGUA
- FULL PLEIN
POR COMPLETO
- EMPTY VIDE
VACIO
- CAPACITOR
CONDENSATEUR
CONDENSADOR
- NOT USED ON ALL MODELS

- BELT
CORROIE
CORREA
- FLAME SENSOR
SENSEUR DE FLAMME
SENSOR DE LA LLAMA
- GAS BURNER
BRULEUR A GAZ
MECHERO DE GAS
- HEATER
RECHAUFFEUR
CALENTADOR
- HOLD PRISE
ASIMIENTO
- HI LIMIT THERMOSTAT
HAUTE THERMOSTAT DE LIMITE
ALTA THERMOSTATO DEL LIMITE
- OPERATING THERMOSTAT
THERMOSTAT FONCTIONNANT
THERMOSTATO DE FUNCIONAMIENTO
- THERMAL FUSE NOT RESETTABLE
FUSIBLE THERMIQUE NON REGLABLE
FUSIBLE THERMAL NON RESTAURABLE
- RESISTOR
RESISTANCE
RESISTOR
- SIGNAL SWITCH
COMMUTEUR DE SIGNAL
INTERRUPTOR DE LA SERIAL
- THERMAL CUTOFF
COUPURE THERMIQUE
ATAJO THERMAL
- VALVE
SOUPAPE
VALVULA
- VOLTS
VOLTS
VOLTIOS