

⚠ WARNING**Electric Shock Hazard**

Disconnect power before servicing.

Replace all parts and panels before operating.

Failure to do so can result in death or electrical shock.

IMPORTANT**Electrostatic Discharge (ESD)
Sensitive Electronics**

ESD problems are present everywhere. ESD may damage or weaken the electronic control assembly. The new control assembly may appear to work well after repair is finished, but failure may occur at a later date due to ESD stress.

- Use an anti-static wrist strap. Connect wrist strap to green ground connection point or unpainted metal in the appliance
-OR-
Touch your finger repeatedly to a green ground connection point or unpainted metal in the appliance.
- Before removing the part from its package, touch the anti-static bag to a green ground connection point or unpainted metal in the appliance.
- Avoid touching electronic parts or terminal contacts; handle electronic control assembly by edges only.
- When repackaging failed electronic control assembly in anti-static bag, observe above instructions.

DIAGNOSTIC GUIDE

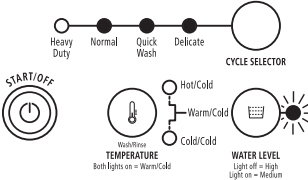
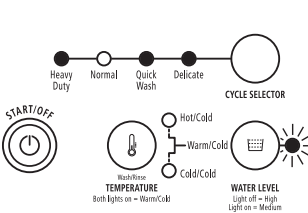
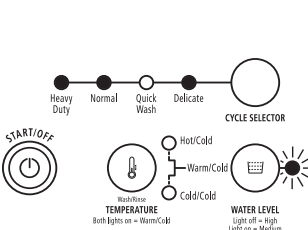
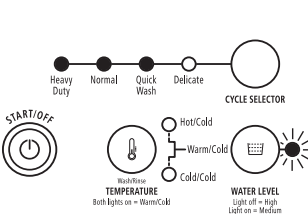
Before servicing, check the following:

- Make sure there is power at the wall outlet.
- Has a household fuse blown or circuit breaker tripped? Time delay fuse?
- Are both hot and cold water faucets open and water supply hoses unobstructed?
- All tests/checks should be made with a VOM or DVM having a sensitivity of 20,000 ohms per volt DC or greater.
- Check all connections before replacing components. Look for broken or loose wires, failed terminals, or wires not pressed into connections far enough.
- The most common cause for control failure is corrosion on connectors. Therefore, disconnecting and reconnecting wires will be necessary throughout test procedures.
- Connectors: Look at top of connector. Check for broken or loose wires. Check for wires not pressed into connector far enough to engage metal barbs.
- Resistance checks must be made with power cord unplugged from outlet, and with wiring harness or connectors disconnected.

DISPLAY FAULT/ERROR CODES AND POTENTIAL CAUSES

To indicate the following Fault/Error codes, the control panel displays different patterns in LEDs. Example: During a Slow Fill error, the Delicate and TEMPERATURE LEDs are off, the WATER LEVEL LED blinks, all other LEDs are on.

- = LED on continuously ✨ = LED flashes on and off

LEDS ACTIVATED	EXPLANATION/RECOMMENDED PROCEDURE
 <p>Heavy Duty Normal Quick Wash Delicate CYCLE SELECTOR</p> <p>START/OFF</p> <p>TEMPERATURE Both lights on = Warm/Cold</p> <p>Hot/Cold Warm/Cold Cold/Cold</p> <p>WATER LEVEL Light off = High Light on = Medium</p>	<p>LONG DRAIN</p> <p>If the drain time exceeds 6 minutes, the wash cycle will stop. Push the START/OFF button to reset the operation mode, a Drain task is executed and the previously selected cycle resumes.</p> <p>Potential Causes</p> <ul style="list-style-type: none"> ■ Drain pump failure. ■ Drain hose: check for proper connection, kinks or clogs. ■ Pressure switch contact failure.
 <p>Heavy Duty Normal Quick Wash Delicate CYCLE SELECTOR</p> <p>START/OFF</p> <p>TEMPERATURE Both lights on = Warm/Cold</p> <p>Hot/Cold Warm/Cold Cold/Cold</p> <p>WATER LEVEL Light off = High Light on = Medium</p>	<p>INCORRECT FILL WATER LEVEL</p> <p>Wash cycle stops. Press START/OFF button to enter Standby mode. Execute a Diagnostic Test to drain the water.</p> <p>Potential Causes</p> <ul style="list-style-type: none"> ■ Incorrect electrical connection to pressure switch. ■ Pressure switch contact failure. ■ Pressure switch hose is damaged or loose. ■ Air dome is clogged. ■ Drain hose: check for proper height, kinks or clogs.
 <p>Heavy Duty Normal Quick Wash Delicate CYCLE SELECTOR</p> <p>START/OFF</p> <p>TEMPERATURE Both lights on = Warm/Cold</p> <p>Hot/Cold Warm/Cold Cold/Cold</p> <p>WATER LEVEL Light off = High Light on = Medium</p>	<p>UNEXPECTED FILL DURING AGITATION OR SOAK</p> <p>The pressure switch contact selected has opened during agitation task. The wash cycle stops and a Drain task is executed. Once the Drain is complete, the cycle stops. Push the START/OFF button to reset the operation mode, a Fill task is executed and the previously selected cycle resumes.</p> <p>Potential Causes</p> <ul style="list-style-type: none"> ■ Water or clothes were removed from basket after Fill task was complete. ■ Pressure switch hose is damaged or loose. ■ Drain hose is improperly connected. ■ Water leaking from washer tub.
 <p>Heavy Duty Normal Quick Wash Delicate CYCLE SELECTOR</p> <p>START/OFF</p> <p>TEMPERATURE Both lights on = Warm/Cold</p> <p>Hot/Cold Warm/Cold Cold/Cold</p> <p>WATER LEVEL Light off = High Light on = Medium</p>	<p>SLOW FILL</p> <p>If the Fill task exceeds 20 minutes, the wash cycle stops. Push the START/OFF button to reset the operation mode, a Fill task is executed according to previous Temperature selection and the previously selected cycle resumes.</p> <p>Potential Causes</p> <ul style="list-style-type: none"> ■ Water inlet valve is clogged or damaged. ■ Water pressure is too low. ■ Water hose is closed/clogged. ■ Water supply faucet(s) turned off.

NOTE: When an error occurs, it is displayed on the interface board (LEDs). If a new cycle starts, the electronic control saves the error for technician's reference. If no errors are found when running the same wash cycle or a new selection, the electronic control cancels the stored error.

DIAGNOSTIC TEST

The control must be in the off state before pressing the touchpad sequence to start the test.

Starting the Test Mode

- Push the START/OFF button to turn washer off.
- Unplug washer or disconnect power.
- Plug in washer or reconnect power. All LEDs should blink twice.
- Within 10 seconds, simultaneously press TEMPERATURE and WATER LEVEL buttons. The WATER LEVEL LED will stay on and all other LEDs should be off. If any other LEDs are on, the starting procedure has failed. Repeat the starting procedure.

Stopping the Test Mode

To exit the Components Test routine at any time, press the START/OFF button or unplug washer. When the START/OFF button is pressed during Test Mode, the electronic control switches to Standby Mode.

Test Program Control

In order to advance to the next step of the test procedure, press the CYCLE SELECTOR button.

Last Error Occurred

To display the last error that occurred, simultaneously press the WATER LEVEL and CYCLE SELECTOR buttons.

LED Test

Press the TEMPERATURE button. All LEDs should be on.

Component Tests

Pressure Switch (Medium Level) and Cold Water Valve Test

- Press the CYCLE SELECTOR button.
- The Heavy Duty LED comes on.
- The cold water valve is activated.
- The pressure switch opens for a Medium level fill task.
- When the fill is complete, the Heavy Duty LED flashes.

Pressure Switch (High Level) and Hot Water Valve Test

- Press the CYCLE SELECTOR button.
- The Normal LED comes on.
- The hot water valve is activated.
- The pressure switch opens for a High level fill task.

- When the fill is complete, the Normal LED flashes.

Motor Test

NOTE: To bypass this test and continue to the next component test, press the CYCLE SELECTOR button twice.

- Press the CYCLE SELECTOR button.
- The Quick Wash LED comes on.
- The motor begins a 15-minute agitation task.
- When the agitation is complete, the Quick Wash LED flashes.

Drain Pump and Brake Actuator (on traction) Test

- Press the CYCLE SELECTOR button.
- The Delicate LED comes on.
- The brake actuator and pump are activated.
- After 20 seconds, the pressure switch opens and the motor begins a 10-minute spin cycle.
- When the spin cycle is complete, the Delicate LED flashes.

COMPONENT CONTINUITY TEST

Disconnect the wire harness and measure resistance using the following table:

COMPONENT	RESISTANCE
Wire Harness	continuity
Power Cord	continuity
Hot Water Valve	890–1090 Ω
Cold Water Valve	890–1090 Ω
Motor black/white and red terminals	5.32–6.12 Ω
Motor black/white and yellow terminals	5.32–6.12 Ω
Drain Pump	24–28 Ω
Brake Actuator – on traction	710–869 Ω
Brake Actuator – at rest	403–493 Ω

CONTROL BOARD REMOVAL OR REPLACEMENT

IMPORTANT: Electrostatic (static electricity) discharge may cause damage to electronic control assemblies. See page 1 for details.

NOTE: Be sure to perform the Diagnostic Tests before replacing the control board.

To remove Electronic Control Board (PCB) and Interface Board:

1. Unplug washer or disconnect power.
2. Remove the Top.
3. Remove the PCB's protective covering.
4. Pull out the connectors from the PCB terminals.

5. Remove the six screws fastening the PCB and the Interface Board.

6. Remove each board from the support.

To reassemble PCB and Interface Board:

1. Place the PCB and Interface Board into the support.
2. Use the six screws to fasten the boards together.
3. Attach the connectors to the PCB terminals.
4. Secure the PCB's protective covering in place.
5. Secure the Top in place.
6. Plug in washer or reconnect power.

TROUBLESHOOTING GUIDE

PROBLEM	POSSIBLE CAUSE/TEST
	NOTE: Possible Cause/Tests MUST be performed in the sequence shown for each problem.
WON'T POWER UP	<ol style="list-style-type: none"> 1. Press START/OFF button. 2. Open and close the lid. 3. Unplug washer or disconnect power. 4. Check water connections to the unit and within the unit. Check for plugged screen in water source. 5. Check that unit is plugged into a working outlet and for blown fuses. 6. Check installation. 7. Check continuity of lid switch. 8. Check wiring harness connections. 9. Check the PCB by running the Diagnostic Test.
LEDS DON'T LIGHT	<ol style="list-style-type: none"> 1. Check that unit is plugged into a working outlet and for blown fuses. 2. Unplug washer or disconnect power. 3. Check continuity of line cord and coil. 4. Check harness connections to Electronic Control board (PCB). 5. Check the PCB by running the Diagnostic Test.
WON'T START CYCLE	<ol style="list-style-type: none"> 1. Unplug washer or disconnect power. 2. Check continuity of lid switch. 3. Check that water pump is clear of foreign objects and not plugged or damaged. 4. Check the brake lining for foreign objects or wear. 5. Check inlet valve for abnormal condition. See "Won't Fill." 6. Check motor for abnormal condition. See "Motor doesn't run." 7. Check wire harness connections. 8. Check the PCB by running the Diagnostic Test.
WON'T FILL	<ol style="list-style-type: none"> 1. Unplug washer or disconnect power. 2. Check installation. Verify hot and cold water faucets are open. 3. Check inlet valves. 4. Check water connection to the unit and within the unit. Check for plugged screen in water source. 5. Check continuity of lid switch. 6. Replace the water inlet valve. 7. Check the PCB by running the Diagnostic Test.

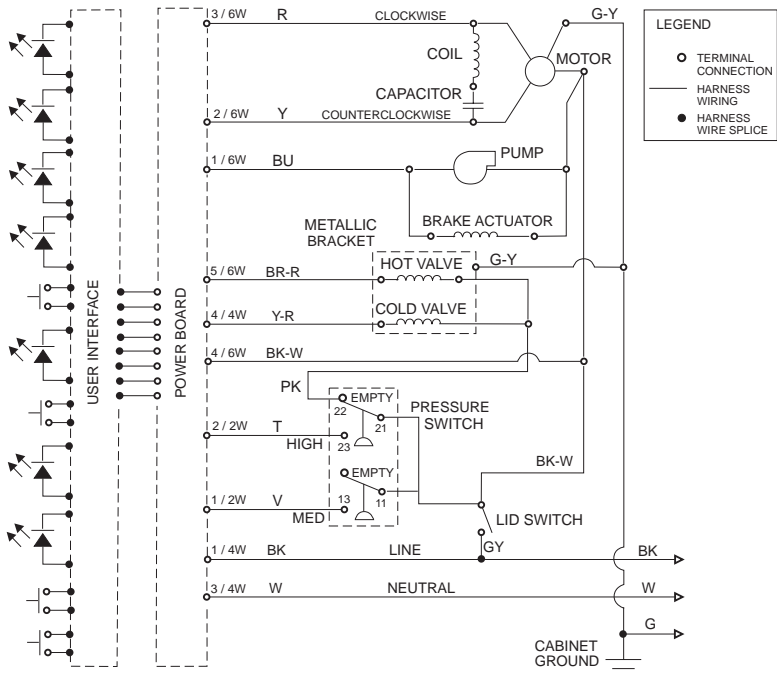
TROUBLESHOOTING GUIDE

PROBLEM	POSSIBLE CAUSE/TEST NOTE: Possible Cause/Tests MUST be performed in the sequence shown for each problem.
MOTOR DOESN'T RUN	<ol style="list-style-type: none"> 1. Unplug washer or disconnect power. 2. Check Installation. 3. Check continuity of motor. 4. Check continuity of lid switch. 5. Discharge and connect capacitor to an ohmmeter in Rx100 scale ("0" to "infinite"). 6. Check continuity of coil. 7. Check continuity of motor. 8. Check wiring harness connections. 9. Check the PCB by running the Diagnostic Test.
WON'T AGITATE	<ol style="list-style-type: none"> 1. Unplug washer or disconnect power. 2. Check continuity of lid switch. 3. Check continuity of pressure switch. 4. Check continuity of motor. 5. Check drain hose. 6. Check brake actuator. 7. Check mechanism assembly. 8. Check wire harness connections. 9. Check the PCB by running the Diagnostic Test.
WON'T DRAIN	<ol style="list-style-type: none"> 1. Check hose installation. 2. Unplug washer or disconnect power. 3. Check continuity of lid switch. 4. Check wire harness connections. 5. Check continuity of pressure switch. 6. Check that drain hose and drain pump filter are clear of foreign objects. 7. Check continuity of drain pump. 8. Check the PCB by running the Diagnostic Test.
WON'T SPIN	<ol style="list-style-type: none"> 1. Make sure right amount of detergent was used. 2. Unplug washer or disconnect power. 3. Check continuity of lid switch. 4. Tighten the wedge. 5. Check continuity of brake actuator. 6. Check continuity of wiring harness. 7. Check continuity of pressure switch. 8. Check that water pump is clear of foreign objects and not plugged or damaged. 9. Check motor for abnormal condition. See "Motor doesn't run." 10. Check mechanism assembly. 11. Check the PCB by running the Diagnostic Test.
WATER DRAINS BEFORE END OF CYCLE	<ol style="list-style-type: none"> 1. Check hose installation. Minimum height 33" (85 cm) from washer to base. 2. Unplug washer or disconnect power. 3. Check the PCB by running the Diagnostic Test.
WATER LEVEL OVERFLOWS	<ol style="list-style-type: none"> 1. Clothes were placed in basket after fill. Place clothes before filling. 2. Check hose installation. 3. Unplug washer or disconnect power. 4. Check pressure switch continuity. 5. Check seal installation. 6. Check that air dome is clear of foreign objects and not plugged. 7. Check inlet water valve installation. 8. Verify the unit is level. 9. Check pump drain system. 10. Check operating pressure switch. 11. Check the PCB by running the Diagnostic Test.

TROUBLESHOOTING GUIDE

PROBLEM	POSSIBLE CAUSE/TEST
MACHINE NOISY, VIBRATES, "WALKS"	<ol style="list-style-type: none"> 1. Verify the unit is level. 2. Evaluate clothes amount and distribution. 3. Unplug washer or disconnect power. 4. Check continuity of wiring harness. 5. Check installation of outlet hose. 6. Check spring and cam/traction arm assembly. 7. Check inlet axle mechanism assembly. 8. Check seals, bearings, and brake lining for foreign objects or wear. 9. Check the suspension bar connecting rod, strap snubber for damage. 10. Check balance ring for condition and position.
WON'T DISPENSE	<ol style="list-style-type: none"> 1. Check water pressure. 2. Check hose installation. 3. Verify the unit is level. 4. Evaluate soap quality. 5. Check that filtering screen is clear of foreign objects.
CLOTHING DAMAGED	<ol style="list-style-type: none"> 1. Evaluate wash cycle, water level used. 2. Remove clothing accessories and close all zippers. 3. Evaluate bleach use.
POOR WASH RESULTS	<ol style="list-style-type: none"> 1. Evaluate wash cycle, water level used. 2. Check that lint screen is clear of foreign objects. 3. Evaluate soap quality, quantity.

WIRING DIAGRAM



CYCLE TIMING CHART

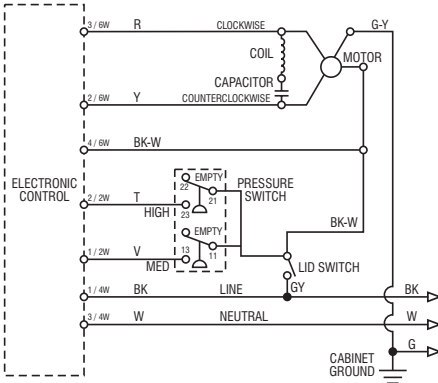
CONNECTOR WIRE LOCATION	1 / 4W	3 / 4W	4 / 4W	1 / 6W	2 / 6W	3 / 6W	4 / 6W	5 / 6W	1 / 2W	2 / 2W	FUNCTION LED INDICATION	TIME	MACHINE FUNCTION	CYCLE							
	WIRE COLOR	BK	W	Y-R	BLU	Y	R	BK-W	BR-B	V					T	PK					
LINE NAME	LINE	NEUTRAL	COLD SOLENOID	PUMP/SPIN	MOTOR 2	MOTOR 1	LID SWITCH	HOT SOLENOID	P-SWITCH - N. O. (LOW FILL)	P-SWITCH - N. O. (HIGH FILL)	P-SWITCH - N. C. (EMPTY)	HEAVY DUTY	NORMAL	QUICK WASH	DELICATE	HOT	COLD	MEDIUM LOAD			
	☒	☒																		OFF	
	█	█																		HEAVY DUTY	
	█	█																			P2 FILL WARM / HOT / COLD
	█	█																			16' AGITATION
	█	█																			6' DRAIN
	█	█																			1' 12" SIS
	█	█																			2' SPIN
	█	█																			30" COAST DOWN & DRAIN
	█	█																			P2 FILL COLD
	█	█																			4' AGITATION
	█	█																		6' DRAIN	
	█	█																		1' 12" SIS	
	█	█																		4' SPIN	
	█	█																		30" COAST DOWN & DRAIN	
	█	☒																		NORMAL	
	█	█																			P2 FILL WARM / HOT / COLD
	█	█																			12' AGITATION
	█	█																			6' DRAIN
	█	█																			1' 12" SIS
	█	█																			2' SPIN
	█	█																			30" COAST DOWN & DRAIN
	█	█																			P2 FILL COLD
	█	█																			4' AGITATION
	█	█																		6' DRAIN	
	█	█																		1' 12" SIS	
	█	█																		8' SPIN	
	█	█																		30" COAST DOWN & DRAIN	
	█	☒																		QUICK WASH	
	█	█																			P2 FILL WARM / HOT / COLD
	█	█																			6' AGITATION
	█	█																			6' DRAIN
	█	█																			1' 32" SIS
	█	█																			P2 FILL COLD
	█	█																			4' AGITATION
	█	█																			6' DRAIN
	█	█																			1' 12" SIS
	█	█																		4' SPIN	
	█	█																		30" COAST DOWN & DRAIN	
	█	☒																		DELICATE	
	█	█																			P2 FILL WARM / HOT / COLD
	█	█																			8' AGITATION
	█	█																			6' DRAIN
	█	█																			1' 32" SIS
	█	█																			P2 FILL COLD
	█	█																			4' AGITATION
	█	█																			6' DRAIN
	█	█																			2' 24" SIS
	█	█																		30" COAST DOWN & DRAIN	

LEGEND		P1 = UNTIL PRESSURE SWITCH RESET
☐	= DEENERGIZED LINE	P2 = UNTIL PRESSURE SWITCH SETS
█	= ENERGIZED LINE	' = MINUTES
☒	= LINE MAY BE ENERGIZED OR DEENERGIZED	" = SECONDS

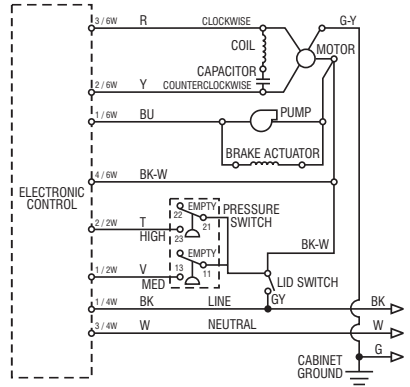
STRIP CIRCUITS

The following individual circuits are for use in diagnosis. Do not continue with the diagnosis of the appliance if a fuse is blown, a circuit breaker is tripped, or if there is less than a 120 volt power supply at the wall outlet.

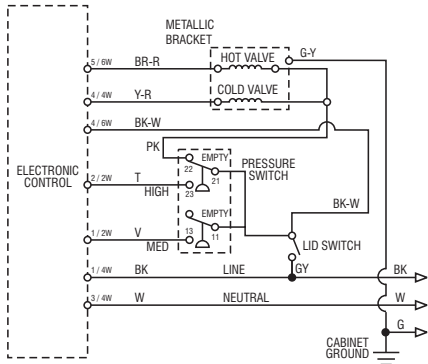
AGITATE



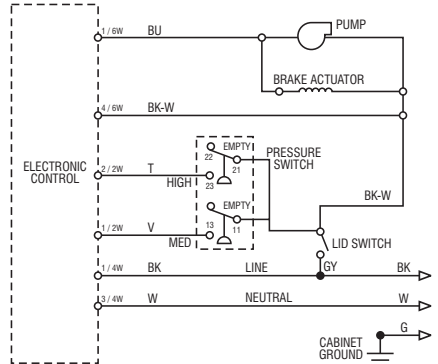
SPIN



FILL



DRAIN



SOFTWARE COPYRIGHTED. MANUFACTURED UNDER ONE OR MORE OF THE FOLLOWING CANADIAN PATENTS:

1228410	1233658	1287338	1298988	1306367	2018975	2043393	2086151
1233039	1282557	1288966	1301469	1313770	2022266	2056969	D76618

SOFTWARE COPYRIGHTED. MANUFACTURED UNDER ONE OR MORE OF THE FOLLOWING U.S. PATENTS:

4545947	4709951	4854559	5000016	5191668	5271251	5515565	6065171	6505370
4555919	4715401	4856303	5031427	5191669	5297403	5582039	6070282	D314263
4566295	4719769	4870988	5033277	5193361	5305485	5582199	6105403	D375390
4572596	4754622	4888965	5074003	5199127	5312138	5651278	6115863	D381140
4618193	4759202	4890465	5075613	5199281	5314044	5671494	6125490	D423740
4624117	4774822	4891959	5113542	5200684	5345637	5765404	6185774	D426686
4643350	4779431	4910979	5130624	5205141	5345792	5784902	6212722	D456572
4646455	4782544	4945735	5150588	5219370	5345793	5791167	6227013	D459844
4656844	4784666	4947516	5154071	5233718	5359748	5836180	6227014	D463631
4656847	4785643	4969341	5166568	5249441	5373715	5852942	6269666	D465308
4692987	4793820	4972134	5167722	5255844	5460018	5875655	6347645	
4693095	4807452	4977394	5172573	5257901	5493745	5878602	6363563	
4697293	4809524	4986093	5177659	5259217	5504955	5883490	6393872	
4700554	4835991	4987627	5191667	5269160	5507053	5946946	6430971	

⚠ AVERTISSEMENT



Risque de choc électrique

Déconnecter la source de courant électrique avant l'entretien.
Replacer pièces et panneaux avant de faire la remise en marche.
Le non-respect de ces instructions peut causer un décès ou un choc électrique.

IMPORTANT

Circuits électroniques sensibles aux décharges électrostatiques

Le risque de décharge électrostatique est permanent. Une décharge électrostatique peut endommager ou affaiblir les composants électroniques. La nouvelle carte peut donner l'impression qu'elle fonctionne correctement après la réparation, mais une décharge électrostatique peut lui avoir fait subir des dommages qui provoqueront une défaillance plus tard.

- Utiliser un bracelet de décharge électrostatique. Connecter le bracelet à la vis verte de liaison à la terre ou sur une surface métallique non peinte de l'appareil
-OU-
Toucher plusieurs fois du doigt la vis verte de liaison à la terre ou une surface métallique non peinte de l'appareil.
- Avant de retirer la pièce de son sachet, placer le sachet antistatique en contact avec la vis verte de liaison à la terre ou une surface métallique non peinte de l'appareil.
- Éviter de toucher les composants électroniques ou les broches de contact; tenir la carte de circuits électroniques par les bords seulement lors des manipulations.
- Lors du réemballage d'une carte de circuits électroniques défaillante dans le sachet antistatique, appliquer les mêmes instructions.

GUIDE DE DIAGNOSTIC

Avant d'entreprendre une réparation, contrôler ce qui suit :

- Vérifier que la prise de courant est alimentée.
- Fusible grillé ou disjoncteur ouvert? Fusible temporisé grillé?
- Robinets d'eau chaude et d'eau froide ouverts et tuyaux d'arrivée d'eau exempts d'obstruction?
- Utiliser pour tous les contrôles d'un voltmètre ou autre instrument dont la résistance interne est de 20 000 ohms par volt CC ou plus.
- Contrôler toutes les connexions avant de remplacer un composant. Rechercher des fils brisés ou mal connectés, ou des bornes ou cosses de connexion détériorées.
- La corrosion des pièces de connexion constitue la principale cause de défaillance du système de commande. Par conséquent il sera nécessaire de débrancher/rebrancher des conducteurs dans toutes les opérations de test.
- Connecteurs : Examiner le sommet d'un connecteur; rechercher des fils brisés ou mal connectés; rechercher également des cosses mal branchées.
- Lors de toute mesure de résistance, vérifier que le cordon d'alimentation est débranché de la prise de courant, et que le faisceau de câblage ou le connecteur est débranché.

AFFICHAGE DES CODES D'ANOMALIE/ERREUR ET CAUSES POTENTIELLES

Divers motifs d'illumination des DEL de l'afficheur du tableau de commande identifient les codes d'anomalie/erreur suivants. Exemple : Pour l'erreur Remplissage lent, les DEL Delicate (Linge délicat) et TEMPERATURE sont éteintes; la DEL WATER LEVEL (Niveau d'eau) clignote, et les autres DEL sont illuminées.

- = DEL illuminée en permanence ☼ = DEL clignotante

DEL ACTIVES	EXPLICATION/MÉTHODE RECOMMANDÉE
<p>Heavy Duty Normal Quick Wash Delicate CYCLE SELECTOR</p> <p>START/OFF</p> <p>Hot/Cold Warm/Cold Cold/Cold</p> <p>Water/Hot TEMPERATURE Both lights on = Warm/Cold</p> <p>WATER LEVEL Light off = High Light on = Medium</p>	<p>TEMPS DE DRAINAGE LONG</p> <p>Si le temps de drainage est supérieur à 6 minutes, le programme de lavage prend fin. Appuyer sur le bouton START/OFF (Marche/arrêt) pour rétablir le mode opérationnel; une opération de drainage est exécutée et le programme précédemment sélectionné reprend.</p> <p>Causes potentielles</p> <ul style="list-style-type: none"> ■ Défaillance de la pompe. ■ Tuyau de drainage : inspecter pour identifier connexion incorrecte, écrasement ou obstruction. ■ Défaillance du contacteur manométrique.
<p>Heavy Duty Normal Quick Wash Delicate CYCLE SELECTOR</p> <p>START/OFF</p> <p>Hot/Cold Warm/Cold Cold/Cold</p> <p>Water/Hot TEMPERATURE Both lights on = Warm/Cold</p> <p>WATER LEVEL Light off = High Light on = Medium</p>	<p>NIVEAU DE REMPLISSAGE INCORRECT</p> <p>Arrêt du programme de lavage. Appuyer sur le bouton START/OFF (Marche/arrêt) pour accéder au mode d'attente. Exécuter un test de diagnostic pour le drainage de l'eau.</p> <p>Causes potentielles</p> <ul style="list-style-type: none"> ■ Connexions électriques incorrectes sur le contacteur manométrique. ■ Défaillance du contacteur manométrique. ■ Contacteur manométrique défectueux. ■ Tuyau du contacteur manométrique endommagé ou mal fixé. ■ Dôme pneumatique encreassé. ■ Tuyau de drainage : inspecter pour identifier connexion incorrecte, écrasement ou obstruction.
<p>Heavy Duty Normal Quick Wash Delicate CYCLE SELECTOR</p> <p>START/OFF</p> <p>Hot/Cold Warm/Cold Cold/Cold</p> <p>Water/Hot TEMPERATURE Both lights on = Warm/Cold</p> <p>WATER LEVEL Light off = High Light on = Medium</p>	<p>REMPLISSAGE IMPRÉVU DURANT UNE PÉRIODE D'AGITATION OU DE TREMPAGE</p> <p>Le contact sélectionné du contacteur manométrique s'est ouvert durant la période d'agitation. Le programme de lavage est interrompu et l'opération de drainage est exécutée; ensuite le programme est interrompu. Appuyer sur le bouton START/OFF (Marche/arrêt) pour rétablir le mode opérationnel; une opération de remplissage est exécutée et le programme précédemment sélectionné reprend.</p> <p>Causes potentielles</p> <ul style="list-style-type: none"> ■ Retrait d'eau ou de linge dans la cuve après le remplissage. ■ Tuyau du contacteur manométrique endommagé ou mal fixé. ■ Tuyau de drainage incorrectement connecté. ■ Fuite d'eau depuis la cuve de lavage.
<p>Heavy Duty Normal Quick Wash Delicate CYCLE SELECTOR</p> <p>START/OFF</p> <p>Hot/Cold Warm/Cold Cold/Cold</p> <p>Water/Hot TEMPERATURE Both lights on = Warm/Cold</p> <p>WATER LEVEL Light off = High Light on = Medium</p>	<p>REMPLISSAGE LENT</p> <p>Si le temps de remplissage est supérieur à 20 minutes, le programme de lavage est interrompu. Appuyer sur le bouton START/OFF (Marche/arrêt) pour rétablir le mode opérationnel; une opération de remplissage est exécutée selon la sélection de température précédente, et le programme précédemment sélectionné reprend.</p> <p>Causes potentielles</p> <ul style="list-style-type: none"> ■ Électrovanne d'admission d'eau encrassée ou endommagée. ■ Pression d'eau insuffisante. ■ Tuyau d'arrivée d'eau obstrué/écrasé. ■ Robinet(s) d'eau fermé(s).

NOTE : Lorsqu'une erreur survient, elle est affichée par la DEL. Après le lancement d'un nouveau programme, le système de commande électronique mémorise les codes d'erreur pour le technicien. Si aucune erreur n'est observée lors de l'exécution du même programme de lavage ou d'un autre programme, l'information sur l'erreur est effacée de la mémoire du système de commande électronique.

TEST DE DIAGNOSTIC

Avant l'exécution de toute séquence de pression sur les touches pour le déclenchement du test, il faut que le système de commande soit désactivé.

Lancement du mode de test

- Appuyer sur le bouton START/OFF (Marche/arrêt) pour commander l'arrêt de la laveuse.
- Débrancher la laveuse ou déconnecter la source de courant électrique.
- Brancher la laveuse ou reconnecter la source de courant électrique. Chaque DEL doit clignoter deux fois.
- En moins de 10 secondes, appuyer simultanément sur les boutons TEMPERATURE et WATER LEVEL (Niveau d'eau). La DEL WATER LEVEL demeurera illuminée et toutes les autres DEL doivent s'éteindre. Si une autre DEL demeure illuminée, le processus de mise en marche est un échec. Répéter le processus de mise en marche.

Pour quitter le mode de test

Pour quitter le mode de test des composants à un moment quelconque, appuyer sur le bouton START/OFF (Marche/arrêt) ou débrancher la laveuse. Lorsqu'on appuie sur le bouton START/OFF (Marche/arrêt) alors que le mode de test est actif, le système de commande électronique passe au mode d'attente.

Contrôle du programme de test

Pour accéder à l'étape suivante du processus de test, appuyer sur le bouton CYCLE SELECTOR (Sélecteur de programme).

Dernière erreur enregistrée

Pour afficher le code de la dernière erreur survenue, appuyer simultanément sur les boutons WATER LEVEL (Niveau d'eau) et CYCLE SELECTOR (Sélecteur de programme).

Test des DEL

Appuyer sur le bouton TEMPERATURE. Toutes les DEL doivent s'allumer.

Tests des composants

Contacteur manométrique (niveau moyen) et électrovanne d'admission d'eau froide

- Appuyer sur le bouton CYCLE SELECTOR (Sélecteur de programme).
- La DEL Heavy Duty (Service intense) s'allume.
- L'électrovanne eau froide est activée.
- Le contacteur manométrique s'ouvre pour un remplissage jusqu'au niveau moyen.
- Lorsque le remplissage a été exécuté, la DEL Heavy Duty (Service intense) clignote.

Contacteur manométrique (niveau maximum) et électrovanne d'admission d'eau chaude

- Appuyer sur le bouton CYCLE SELECTOR (Sélecteur de programme).
- La DEL Normal s'allume.
- L'électrovanne eau chaude est activée.
- Le contacteur manométrique s'ouvre pour un remplissage jusqu'au niveau maximum.
- Lorsque le remplissage a été exécuté, la DEL Normal clignote.

Test du moteur

NOTE : Pour omettre ce test et passer à l'étape suivante, appuyer deux fois sur le bouton CYCLE SELECTOR (Sélecteur de programme).

- Appuyer sur le bouton CYCLE SELECTOR.
- La DEL Quick Wash (Lavage rapide) s'allume.
- Le moteur entreprend une opération d'agitation de 15 minutes.
- Après la période d'agitation, la DEL Quick Wash clignote.

Test de la pompe de drainage et du système de freinage (en traction)

- Appuyer sur le bouton CYCLE SELECTOR (Sélecteur de programme).
- La DEL Delicate (Linge délicat) s'allume.
- Le système de freinage et la pompe sont activés.
- Après 20 secondes, le contacteur manométrique s'ouvre et le moteur entreprend une opération de centrifugation de 10 minutes.
- Après la période de centrifugation, la DEL Delicate clignote.

TEST DE CONTINUITÉ DES COMPOSANTS

Débrancher la tresse de câblage et mesurer les valeurs de résistance, selon le tableau suivant :

COMPOSANT	RÉSISTANCE
Tresse de câblage	continuité
Cordon d'alimentation	continuité
Électrovanne eau chaude	890-1090 ohms
Électrovanne eau froide	890-1090 ohms
Moteur – broches des conducteurs noir/blanc et rouge	5,32-6,12 ohms
Moteur – broches des conducteurs noir/blanc et jaune	5,32-6,12 ohms
Pompe de drainage	24-28 ohms
Système de freinage – en traction	710-869 ohms
Système de freinage – au repos	403-493 ohms

CARTE DES CIRCUITS DE COMMANDE - DÉPOSE OU REMPLACEMENT

IMPORTANT : Une décharge d'électricité statique peut faire subir des dommages au système de commande électronique. Voir les détails à la page 1.

NOTE : Veiller à exécuter les tests de diagnostic avant de remplacer la carte des circuits de commande.

Dépose de la carte des circuits de commande électroniques et de la carte d'interface :

1. Débrancher la laveuse ou déconnecter la source de courant électrique.
2. Enlever le plateau de la machine.

3. Enlever le couvercle protecteur des cartes de circuit.
4. Débrancher tous les connecteurs des broches des cartes de circuit.
5. Ôter les six vis fixant la carte des circuits de commande et la carte d'interface.
6. Retirer chaque carte du support.

Réinstallation de la carte des circuits de commande et de la carte d'interface :

1. Placer la carte des circuits de commande et la carte d'interface sur le support.
2. Utiliser les six vis pour fixer les cartes ensemble.
3. Brancher les connecteurs sur les broches des cartes de circuit.
4. Réinstaller le couvercle de protection.
5. Fixer le plateau de la machine en place.
6. Brancher la laveuse ou reconnecter la source de courant électrique.

GUIDE DE DIAGNOSTIC

PROBLÈME	CAUSE POSSIBLE/TEST
PAS DE MISE EN MARCHÉ	<p>NOTE : On DOIT exécuter les opérations Cause possible/Test dans l'ordre indiqué pour chaque problème.</p> <ol style="list-style-type: none"> 1. Appuyer sur le bouton START/OFF (Marche/arrêt). 2. Ouvrir et refermer le couvercle. 3. Débrancher la laveuse ou déconnecter la source de courant électrique. 4. Inspecter les connexions des canalisations d'eau hors de la machine et à l'intérieur de la machine. Rechercher un encrassement des filtres. 5. Vérifier que la machine est branchée sur une prise de courant alimentée (fusibles grillés?). 6. Contrôler l'installation. 7. Contrôler la continuité du contacteur du couvercle. 8. Contrôler la connexion des tresses de câblage. 9. Contrôler la carte des circuits de commande – processus de test de diagnostic.
LES DEL NE S'ALLUMENT PAS	<ol style="list-style-type: none"> 1. Vérifier que la machine est branchée sur une prise de courant alimentée (fusibles grillés?). 2. Débrancher la laveuse ou déconnecter la source de courant électrique. 3. Contrôler la continuité du cordon d'alimentation et du bobinage. 4. Contrôler les connexions du câblage sur la carte des circuits de commande électronique. 5. Contrôler la carte des circuits de commande – processus de test de diagnostic.
PAS DE MISE EN MARCHÉ POUR UN PROGRAMME	<ol style="list-style-type: none"> 1. Débrancher la laveuse ou déconnecter la source de courant électrique. 2. Contrôler la continuité du contacteur du couvercle. 3. Inspecter la pompe à eau – vérifier l'absence de matières étrangères ou autres obstructions ou dommages. 4. Contrôler le dispositif de freinage – rechercher des matières étrangères ou indices d'usure. 5. Inspecter l'électrovanne d'admission d'eau; rechercher une situation anormale. Voir "Pas de remplissage". 6. Inspecter le moteur; rechercher une situation anormale. Voir "Le moteur ne fonctionne pas". 7. Contrôler la connexion des tresses de câblage. 8. Contrôler la carte des circuits de commande – processus de test de diagnostic.
PAS DE REMPLISSAGE	<ol style="list-style-type: none"> 1. Débrancher la laveuse ou déconnecter la source de courant électrique. 2. Contrôler l'installation. Vérifier que les robinets d'eau froide et d'eau chaude sont ouverts. 3. Inspecter les électrovannes d'admission d'eau. 4. Inspecter les connexions des canalisations d'eau hors de la machine et à l'intérieur de la machine. Rechercher un encrassement des filtres. 5. Contrôler la continuité du contacteur du couvercle. 6. Remplacer l'électrovanne d'admission d'eau. 7. Contrôler la carte des circuits de commande – processus de test de diagnostic.

GUIDE DE DIAGNOSTIC

PROBLÈME	CAUSE POSSIBLE/TEST
LE MOTEUR NE FONCTIONNE PAS	<p>NOTE : On DOIT exécuter les opérations Cause possible/Test dans l'ordre indiqué pour chaque problème.</p> <ol style="list-style-type: none"> 1. Débrancher la laveuse ou déconnecter la source de courant électrique. 2. Contrôler l'installation. 3. Contrôler la continuité des bobinages du moteur. 4. Contrôler la continuité du contacteur du couvercle. 5. Décharger le condensateur avant de le contrôler avec un ohmmètre (échelle Rx100, de "0" à "infini"). 6. Contrôler la continuité des bobinages. 7. Contrôler la continuité des bobinages du moteur. 8. Contrôler la connexion des tresses de câblage. 9. Contrôler la carte des circuits de commande – processus de test de diagnostic.
PAS D'AGITATION	<ol style="list-style-type: none"> 1. Débrancher la laveuse ou déconnecter la source de courant électrique. 2. Contrôler la continuité du contacteur du couvercle. 3. Contrôler la continuité du contacteur manométrique. 3. Contrôler la continuité des bobinages du moteur. 5. Contrôler le tuyau de drainage. 6. Contrôler le système de freinage. 7. Contrôler l'ensemble du mécanisme. 8. Contrôler la connexion des tresses de câblage. 9. Contrôler la carte des circuits de commande – processus de test de diagnostic.
PAS DE DRAINAGE	<ol style="list-style-type: none"> 1. Contrôler l'installation des tuyaux. 2. Débrancher la laveuse ou déconnecter la source de courant électrique. 3. Contrôler la continuité du contacteur du couvercle. 4. Contrôler la connexion des tresses de câblage. 5. Contrôler la continuité du contacteur manométrique. 6. Inspecter la pompe à eau et le tuyau de drainage – vérifier l'absence de matières étrangères ou autres obstructions ou dommages. 7. Contrôler la continuité de la pompe de drainage. 8. Contrôler la carte des circuits de commande – processus de test de diagnostic.
PAS DE CENTRIFUGATION	<ol style="list-style-type: none"> 1. Vérifier que la quantité appropriée de détergent a été utilisée. 2. Débrancher la laveuse ou déconnecter la source de courant électrique. 3. Contrôler la continuité du contacteur du couvercle. 4. Serrer le coin de blocage. 5. Contrôler la continuité du système de freinage. 6. Contrôler la continuité des tresses de câblage. 7. Contrôler la continuité du contacteur manométrique. 8. Inspecter la pompe à eau – vérifier l'absence de matières étrangères ou autres obstructions ou dommages. 9. Inspecter le moteur; rechercher une situation anormale. Voir "Le moteur ne fonctionne pas". 10. Contrôler l'ensemble du mécanisme. 11. Contrôler la carte des circuits de commande – processus de test de diagnostic.
DRAINAGE DE L'EAU AVANT LA FIN DU PROGRAMME	<ol style="list-style-type: none"> 1. Contrôler l'installation du tuyau de drainage. Hauteur minimum de 33 po (85 cm) entre la laveuse et la base. 2. Débrancher la laveuse ou déconnecter la source de courant électrique. 3. Contrôler la carte des circuits de commande – processus de test de diagnostic.
DÉBORDEMENT D'EAU	<ol style="list-style-type: none"> 1. Du linge a été placé dans la cuve après le remplissage. Placer tout le linge dans la cuve avant le remplissage. 2. Contrôler l'installation des tuyaux. 3. Débrancher la laveuse ou déconnecter la source de courant électrique. 4. Contrôler la continuité du contacteur manométrique. 5. Contrôler l'installation des joints. 6. Inspecter le dôme pneumatique – vérifier l'absence de matières étrangères ou autres obstructions. 7. Contrôler l'installation des électrovannes d'admission d'eau. 8. Contrôler l'aplomb de l'appareil. 9. Contrôler le circuit de drainage de la pompe. 10. Contrôler le fonctionnement du contacteur manométrique. 11. Contrôler la carte des circuits de commande – processus de test de diagnostic.

GUIDE DE DIAGNOSTIC

PROBLÈME	CAUSE POSSIBLE/TEST
FONCTIONNEMENT BRUYANT, VIBRATION, DÉPLACEMENT DE LA MACHINE	<p>NOTE : On DOIT exécuter les opérations Cause possible/Test dans l'ordre indiqué pour chaque problème.</p> <ol style="list-style-type: none"> 1. Contrôler l'aplomb de l'appareil. 2. Évaluer la quantité de linge et la répartition du linge. 3. Débrancher la laveuse ou déconnecter la source de courant électrique. 4. Contrôler la continuité des tresses de câblage. 5. Contrôler l'installation du tuyau de drainage. 6. Contrôler les ressorts et l'ensemble came/bras de traction. 7. Contrôler le mécanisme (arbre moteur). 8. Contrôler joints, paliers et dispositif de freinage – rechercher des matières étrangères ou indices d'usure. 9. Inspecter le système de suspension; rechercher des dommages sur biellettes de connexion et sangle de retenue. 10. Inspecter l'anneau d'équilibrage – état et position.
PAS DE DISTRIBUTION DE PRODUIT	<ol style="list-style-type: none"> 1. Contrôler la pression d'eau. 2. Contrôler l'installation du tuyau. 3. Contrôler l'aplomb de l'appareil. 4. Évaluer la qualité du savon/détergent. 5. Inspecter les tamis de filtrage – vérifier l'absence de matières étrangères.
LINGE ENDOMMAGÉ	<ol style="list-style-type: none"> 1. Évaluer le programme de lavage et le niveau d'eau. 2. Retirer des accessoires des articles à laver, et fermer toutes les fermetures à glissière. 3. Évaluer l'utilisation de l'agent de blanchiment.
LAVAGE DÉFICIENT	<ol style="list-style-type: none"> 1. Évaluer le programme de lavage et le niveau d'eau. 2. Vérifier que le tamis à peluches est exempt de matières étrangères. 3. Évaluer les quantités et la qualité du savon/détergent.

SCHEMA DE CÂBLAGE

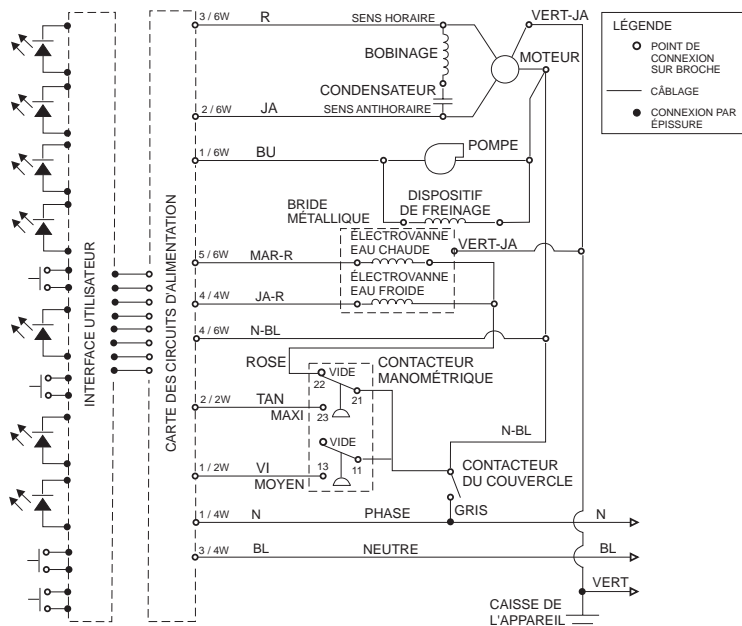


TABLEAU DE SÉQUENCÉMENT DES PROGRAMMES

POSITION POUR CONNECTEUR/CONDUCTEUR		1/4W	3/4W	4/4W	1/6W	2/6W	3/6W	4/6W	5/6W	1/2W	2/2W	INDICATION DE FONCTION DES DEL	DURÉE	FONCTION DE LA MACHINE	PROGRAMME						
COULEUR DU CONDUCTEUR		N	BL	JA-R	BU	JA	R	N-BL	MAR-R	VI	TAN					ROGE					
APPELLATION	PHASE	NEUTRE	ELECTROMANNE QUOTE	FONTE CENTRIFUGATION	MOTEUR 2	MOTEUR 1	CONTACTEUR ELUERGIE	ELECTROVANE EAU CHAUDE	CONT. MAN. N.O.	CONT. MAN. N.O. (NIV. MAN)	CONT. MAN. N.F. (VIDE)					SERVICE INTENSE	NORMAL	LAVAGE RAPIDE	LINGE DELICAT	CHAUD	FROID
		<input checked="" type="checkbox"/>	<input checked="" type="checkbox"/>																	OFF (ARRÊT)	
HEAVY DUTY (SERVICE INTENSE)	P2	<input checked="" type="checkbox"/>	<input checked="" type="checkbox"/>	<input checked="" type="checkbox"/>	<input checked="" type="checkbox"/>	<input checked="" type="checkbox"/>	<input checked="" type="checkbox"/>	<input checked="" type="checkbox"/>	<input checked="" type="checkbox"/>	<input checked="" type="checkbox"/>	<input checked="" type="checkbox"/>	<input checked="" type="checkbox"/>	<input checked="" type="checkbox"/>							REMPLEISSAGE TIEDE/CHAUD/FROID	
	16"	<input checked="" type="checkbox"/>	<input checked="" type="checkbox"/>	<input checked="" type="checkbox"/>	<input checked="" type="checkbox"/>	<input checked="" type="checkbox"/>	<input checked="" type="checkbox"/>	<input checked="" type="checkbox"/>	<input checked="" type="checkbox"/>	<input checked="" type="checkbox"/>	<input checked="" type="checkbox"/>	<input checked="" type="checkbox"/>	<input checked="" type="checkbox"/>							AGITATION	
	6"	<input checked="" type="checkbox"/>	<input checked="" type="checkbox"/>	<input checked="" type="checkbox"/>	<input checked="" type="checkbox"/>	<input checked="" type="checkbox"/>	<input checked="" type="checkbox"/>	<input checked="" type="checkbox"/>	<input checked="" type="checkbox"/>	<input checked="" type="checkbox"/>	<input checked="" type="checkbox"/>	<input checked="" type="checkbox"/>	<input checked="" type="checkbox"/>							DRAINAGE	
	1' 12"	<input checked="" type="checkbox"/>	<input checked="" type="checkbox"/>	<input checked="" type="checkbox"/>	<input checked="" type="checkbox"/>	<input checked="" type="checkbox"/>	<input checked="" type="checkbox"/>	<input checked="" type="checkbox"/>	<input checked="" type="checkbox"/>	<input checked="" type="checkbox"/>	<input checked="" type="checkbox"/>	<input checked="" type="checkbox"/>	<input checked="" type="checkbox"/>							ESSORAGE INTÉRIEURE	
	2"	<input checked="" type="checkbox"/>	<input checked="" type="checkbox"/>	<input checked="" type="checkbox"/>	<input checked="" type="checkbox"/>	<input checked="" type="checkbox"/>	<input checked="" type="checkbox"/>	<input checked="" type="checkbox"/>	<input checked="" type="checkbox"/>	<input checked="" type="checkbox"/>	<input checked="" type="checkbox"/>	<input checked="" type="checkbox"/>	<input checked="" type="checkbox"/>							CENTRIFUGATION	
	30"	<input checked="" type="checkbox"/>	<input checked="" type="checkbox"/>	<input checked="" type="checkbox"/>	<input checked="" type="checkbox"/>	<input checked="" type="checkbox"/>	<input checked="" type="checkbox"/>	<input checked="" type="checkbox"/>	<input checked="" type="checkbox"/>	<input checked="" type="checkbox"/>	<input checked="" type="checkbox"/>	<input checked="" type="checkbox"/>	<input checked="" type="checkbox"/>							RALENTISSEMENT ET DRAINAGE	
	P2	<input checked="" type="checkbox"/>	<input checked="" type="checkbox"/>	<input checked="" type="checkbox"/>	<input checked="" type="checkbox"/>	<input checked="" type="checkbox"/>	<input checked="" type="checkbox"/>	<input checked="" type="checkbox"/>	<input checked="" type="checkbox"/>	<input checked="" type="checkbox"/>	<input checked="" type="checkbox"/>	<input checked="" type="checkbox"/>	<input checked="" type="checkbox"/>							REMPLEISSAGE EAU FROIDE	
	4"	<input checked="" type="checkbox"/>	<input checked="" type="checkbox"/>	<input checked="" type="checkbox"/>	<input checked="" type="checkbox"/>	<input checked="" type="checkbox"/>	<input checked="" type="checkbox"/>	<input checked="" type="checkbox"/>	<input checked="" type="checkbox"/>	<input checked="" type="checkbox"/>	<input checked="" type="checkbox"/>	<input checked="" type="checkbox"/>	<input checked="" type="checkbox"/>							AGITATION	
	6"	<input checked="" type="checkbox"/>	<input checked="" type="checkbox"/>	<input checked="" type="checkbox"/>	<input checked="" type="checkbox"/>	<input checked="" type="checkbox"/>	<input checked="" type="checkbox"/>	<input checked="" type="checkbox"/>	<input checked="" type="checkbox"/>	<input checked="" type="checkbox"/>	<input checked="" type="checkbox"/>	<input checked="" type="checkbox"/>	<input checked="" type="checkbox"/>							DRAINAGE	
	1' 12"	<input checked="" type="checkbox"/>	<input checked="" type="checkbox"/>	<input checked="" type="checkbox"/>	<input checked="" type="checkbox"/>	<input checked="" type="checkbox"/>	<input checked="" type="checkbox"/>	<input checked="" type="checkbox"/>	<input checked="" type="checkbox"/>	<input checked="" type="checkbox"/>	<input checked="" type="checkbox"/>	<input checked="" type="checkbox"/>	<input checked="" type="checkbox"/>							ESSORAGE INTÉRIEURE	
	4"	<input checked="" type="checkbox"/>	<input checked="" type="checkbox"/>	<input checked="" type="checkbox"/>	<input checked="" type="checkbox"/>	<input checked="" type="checkbox"/>	<input checked="" type="checkbox"/>	<input checked="" type="checkbox"/>	<input checked="" type="checkbox"/>	<input checked="" type="checkbox"/>	<input checked="" type="checkbox"/>	<input checked="" type="checkbox"/>	<input checked="" type="checkbox"/>							CENTRIFUGATION	
	30"	<input checked="" type="checkbox"/>	<input checked="" type="checkbox"/>	<input checked="" type="checkbox"/>	<input checked="" type="checkbox"/>	<input checked="" type="checkbox"/>	<input checked="" type="checkbox"/>	<input checked="" type="checkbox"/>	<input checked="" type="checkbox"/>	<input checked="" type="checkbox"/>	<input checked="" type="checkbox"/>	<input checked="" type="checkbox"/>	<input checked="" type="checkbox"/>							RALENTISSEMENT ET DRAINAGE	
	NORMAL	P2	<input checked="" type="checkbox"/>	<input checked="" type="checkbox"/>	<input checked="" type="checkbox"/>	<input checked="" type="checkbox"/>	<input checked="" type="checkbox"/>	<input checked="" type="checkbox"/>	<input checked="" type="checkbox"/>	<input checked="" type="checkbox"/>	<input checked="" type="checkbox"/>	<input checked="" type="checkbox"/>	<input checked="" type="checkbox"/>	<input checked="" type="checkbox"/>							REMPLEISSAGE TIEDE/CHAUD/FROID
		12"	<input checked="" type="checkbox"/>	<input checked="" type="checkbox"/>	<input checked="" type="checkbox"/>	<input checked="" type="checkbox"/>	<input checked="" type="checkbox"/>	<input checked="" type="checkbox"/>	<input checked="" type="checkbox"/>	<input checked="" type="checkbox"/>	<input checked="" type="checkbox"/>	<input checked="" type="checkbox"/>	<input checked="" type="checkbox"/>	<input checked="" type="checkbox"/>							AGITATION
		6"	<input checked="" type="checkbox"/>	<input checked="" type="checkbox"/>	<input checked="" type="checkbox"/>	<input checked="" type="checkbox"/>	<input checked="" type="checkbox"/>	<input checked="" type="checkbox"/>	<input checked="" type="checkbox"/>	<input checked="" type="checkbox"/>	<input checked="" type="checkbox"/>	<input checked="" type="checkbox"/>	<input checked="" type="checkbox"/>	<input checked="" type="checkbox"/>							DRAINAGE
1' 12"		<input checked="" type="checkbox"/>	<input checked="" type="checkbox"/>	<input checked="" type="checkbox"/>	<input checked="" type="checkbox"/>	<input checked="" type="checkbox"/>	<input checked="" type="checkbox"/>	<input checked="" type="checkbox"/>	<input checked="" type="checkbox"/>	<input checked="" type="checkbox"/>	<input checked="" type="checkbox"/>	<input checked="" type="checkbox"/>	<input checked="" type="checkbox"/>							ESSORAGE INTÉRIEURE	
2"		<input checked="" type="checkbox"/>	<input checked="" type="checkbox"/>	<input checked="" type="checkbox"/>	<input checked="" type="checkbox"/>	<input checked="" type="checkbox"/>	<input checked="" type="checkbox"/>	<input checked="" type="checkbox"/>	<input checked="" type="checkbox"/>	<input checked="" type="checkbox"/>	<input checked="" type="checkbox"/>	<input checked="" type="checkbox"/>	<input checked="" type="checkbox"/>							CENTRIFUGATION	
30"		<input checked="" type="checkbox"/>	<input checked="" type="checkbox"/>	<input checked="" type="checkbox"/>	<input checked="" type="checkbox"/>	<input checked="" type="checkbox"/>	<input checked="" type="checkbox"/>	<input checked="" type="checkbox"/>	<input checked="" type="checkbox"/>	<input checked="" type="checkbox"/>	<input checked="" type="checkbox"/>	<input checked="" type="checkbox"/>	<input checked="" type="checkbox"/>							RALENTISSEMENT ET DRAINAGE	
P2		<input checked="" type="checkbox"/>	<input checked="" type="checkbox"/>	<input checked="" type="checkbox"/>	<input checked="" type="checkbox"/>	<input checked="" type="checkbox"/>	<input checked="" type="checkbox"/>	<input checked="" type="checkbox"/>	<input checked="" type="checkbox"/>	<input checked="" type="checkbox"/>	<input checked="" type="checkbox"/>	<input checked="" type="checkbox"/>	<input checked="" type="checkbox"/>							REMPLEISSAGE EAU FROIDE	
4"		<input checked="" type="checkbox"/>	<input checked="" type="checkbox"/>	<input checked="" type="checkbox"/>	<input checked="" type="checkbox"/>	<input checked="" type="checkbox"/>	<input checked="" type="checkbox"/>	<input checked="" type="checkbox"/>	<input checked="" type="checkbox"/>	<input checked="" type="checkbox"/>	<input checked="" type="checkbox"/>	<input checked="" type="checkbox"/>	<input checked="" type="checkbox"/>							AGITATION	
6"		<input checked="" type="checkbox"/>	<input checked="" type="checkbox"/>	<input checked="" type="checkbox"/>	<input checked="" type="checkbox"/>	<input checked="" type="checkbox"/>	<input checked="" type="checkbox"/>	<input checked="" type="checkbox"/>	<input checked="" type="checkbox"/>	<input checked="" type="checkbox"/>	<input checked="" type="checkbox"/>	<input checked="" type="checkbox"/>	<input checked="" type="checkbox"/>							DRAINAGE	
1' 12"		<input checked="" type="checkbox"/>	<input checked="" type="checkbox"/>	<input checked="" type="checkbox"/>	<input checked="" type="checkbox"/>	<input checked="" type="checkbox"/>	<input checked="" type="checkbox"/>	<input checked="" type="checkbox"/>	<input checked="" type="checkbox"/>	<input checked="" type="checkbox"/>	<input checked="" type="checkbox"/>	<input checked="" type="checkbox"/>	<input checked="" type="checkbox"/>							ESSORAGE INTÉRIEURE	
8"		<input checked="" type="checkbox"/>	<input checked="" type="checkbox"/>	<input checked="" type="checkbox"/>	<input checked="" type="checkbox"/>	<input checked="" type="checkbox"/>	<input checked="" type="checkbox"/>	<input checked="" type="checkbox"/>	<input checked="" type="checkbox"/>	<input checked="" type="checkbox"/>	<input checked="" type="checkbox"/>	<input checked="" type="checkbox"/>	<input checked="" type="checkbox"/>							CENTRIFUGATION	
30"		<input checked="" type="checkbox"/>	<input checked="" type="checkbox"/>	<input checked="" type="checkbox"/>	<input checked="" type="checkbox"/>	<input checked="" type="checkbox"/>	<input checked="" type="checkbox"/>	<input checked="" type="checkbox"/>	<input checked="" type="checkbox"/>	<input checked="" type="checkbox"/>	<input checked="" type="checkbox"/>	<input checked="" type="checkbox"/>	<input checked="" type="checkbox"/>							RALENTISSEMENT ET DRAINAGE	
QUICK WASH (LAVAGE RAPIDE)		P2	<input checked="" type="checkbox"/>	<input checked="" type="checkbox"/>	<input checked="" type="checkbox"/>	<input checked="" type="checkbox"/>	<input checked="" type="checkbox"/>	<input checked="" type="checkbox"/>	<input checked="" type="checkbox"/>	<input checked="" type="checkbox"/>	<input checked="" type="checkbox"/>	<input checked="" type="checkbox"/>	<input checked="" type="checkbox"/>	<input checked="" type="checkbox"/>							REMPLEISSAGE TIEDE/CHAUD/FROID
		6"	<input checked="" type="checkbox"/>	<input checked="" type="checkbox"/>	<input checked="" type="checkbox"/>	<input checked="" type="checkbox"/>	<input checked="" type="checkbox"/>	<input checked="" type="checkbox"/>	<input checked="" type="checkbox"/>	<input checked="" type="checkbox"/>	<input checked="" type="checkbox"/>	<input checked="" type="checkbox"/>	<input checked="" type="checkbox"/>	<input checked="" type="checkbox"/>							AGITATION
		6"	<input checked="" type="checkbox"/>	<input checked="" type="checkbox"/>	<input checked="" type="checkbox"/>	<input checked="" type="checkbox"/>	<input checked="" type="checkbox"/>	<input checked="" type="checkbox"/>	<input checked="" type="checkbox"/>	<input checked="" type="checkbox"/>	<input checked="" type="checkbox"/>	<input checked="" type="checkbox"/>	<input checked="" type="checkbox"/>	<input checked="" type="checkbox"/>							DRAINAGE
	1' 32"	<input checked="" type="checkbox"/>	<input checked="" type="checkbox"/>	<input checked="" type="checkbox"/>	<input checked="" type="checkbox"/>	<input checked="" type="checkbox"/>	<input checked="" type="checkbox"/>	<input checked="" type="checkbox"/>	<input checked="" type="checkbox"/>	<input checked="" type="checkbox"/>	<input checked="" type="checkbox"/>	<input checked="" type="checkbox"/>	<input checked="" type="checkbox"/>							ESSORAGE INTÉRIEURE	
	P2	<input checked="" type="checkbox"/>	<input checked="" type="checkbox"/>	<input checked="" type="checkbox"/>	<input checked="" type="checkbox"/>	<input checked="" type="checkbox"/>	<input checked="" type="checkbox"/>	<input checked="" type="checkbox"/>	<input checked="" type="checkbox"/>	<input checked="" type="checkbox"/>	<input checked="" type="checkbox"/>	<input checked="" type="checkbox"/>	<input checked="" type="checkbox"/>							REMPLEISSAGE EAU FROIDE	
	4"	<input checked="" type="checkbox"/>	<input checked="" type="checkbox"/>	<input checked="" type="checkbox"/>	<input checked="" type="checkbox"/>	<input checked="" type="checkbox"/>	<input checked="" type="checkbox"/>	<input checked="" type="checkbox"/>	<input checked="" type="checkbox"/>	<input checked="" type="checkbox"/>	<input checked="" type="checkbox"/>	<input checked="" type="checkbox"/>	<input checked="" type="checkbox"/>							AGITATION	
DELICATE (LINGE DELICAT)	6"	<input checked="" type="checkbox"/>	<input checked="" type="checkbox"/>	<input checked="" type="checkbox"/>	<input checked="" type="checkbox"/>	<input checked="" type="checkbox"/>	<input checked="" type="checkbox"/>	<input checked="" type="checkbox"/>	<input checked="" type="checkbox"/>	<input checked="" type="checkbox"/>	<input checked="" type="checkbox"/>	<input checked="" type="checkbox"/>	<input checked="" type="checkbox"/>							DRAINAGE	
	1' 32"	<input checked="" type="checkbox"/>	<input checked="" type="checkbox"/>	<input checked="" type="checkbox"/>	<input checked="" type="checkbox"/>	<input checked="" type="checkbox"/>	<input checked="" type="checkbox"/>	<input checked="" type="checkbox"/>	<input checked="" type="checkbox"/>	<input checked="" type="checkbox"/>	<input checked="" type="checkbox"/>	<input checked="" type="checkbox"/>	<input checked="" type="checkbox"/>							ESSORAGE INTÉRIEURE	
	P2	<input checked="" type="checkbox"/>	<input checked="" type="checkbox"/>	<input checked="" type="checkbox"/>	<input checked="" type="checkbox"/>	<input checked="" type="checkbox"/>	<input checked="" type="checkbox"/>	<input checked="" type="checkbox"/>	<input checked="" type="checkbox"/>	<input checked="" type="checkbox"/>	<input checked="" type="checkbox"/>	<input checked="" type="checkbox"/>	<input checked="" type="checkbox"/>							REMPLEISSAGE EAU FROIDE	
	4"	<input checked="" type="checkbox"/>	<input checked="" type="checkbox"/>	<input checked="" type="checkbox"/>	<input checked="" type="checkbox"/>	<input checked="" type="checkbox"/>	<input checked="" type="checkbox"/>	<input checked="" type="checkbox"/>	<input checked="" type="checkbox"/>	<input checked="" type="checkbox"/>	<input checked="" type="checkbox"/>	<input checked="" type="checkbox"/>	<input checked="" type="checkbox"/>							AGITATION	
	6"	<input checked="" type="checkbox"/>	<input checked="" type="checkbox"/>	<input checked="" type="checkbox"/>	<input checked="" type="checkbox"/>	<input checked="" type="checkbox"/>	<input checked="" type="checkbox"/>	<input checked="" type="checkbox"/>	<input checked="" type="checkbox"/>	<input checked="" type="checkbox"/>	<input checked="" type="checkbox"/>	<input checked="" type="checkbox"/>	<input checked="" type="checkbox"/>							DRAINAGE	
	2' 24"	<input checked="" type="checkbox"/>	<input checked="" type="checkbox"/>	<input checked="" type="checkbox"/>	<input checked="" type="checkbox"/>	<input checked="" type="checkbox"/>	<input checked="" type="checkbox"/>	<input checked="" type="checkbox"/>	<input checked="" type="checkbox"/>	<input checked="" type="checkbox"/>	<input checked="" type="checkbox"/>	<input checked="" type="checkbox"/>	<input checked="" type="checkbox"/>							ESSORAGE INTÉRIEURE	
	30"	<input checked="" type="checkbox"/>	<input checked="" type="checkbox"/>	<input checked="" type="checkbox"/>	<input checked="" type="checkbox"/>	<input checked="" type="checkbox"/>	<input checked="" type="checkbox"/>	<input checked="" type="checkbox"/>	<input checked="" type="checkbox"/>	<input checked="" type="checkbox"/>	<input checked="" type="checkbox"/>	<input checked="" type="checkbox"/>	<input checked="" type="checkbox"/>							RALENTISSEMENT ET DRAINAGE	

LÉGENDE

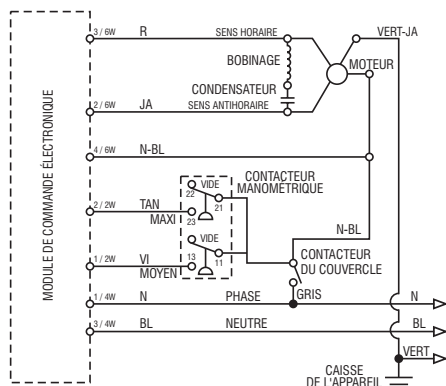
= CONDUCTEUR HORS TENSION
 = CONDUCTEUR SOUS TENSION
 = CONDUCTEUR SOUS TENSION OU HORS TENSION

P1 = JUSQU'AU RÉARMEMENT DU CONTACTEUR MANOMÉTRIQUE
 P2 = JUSQU'À L'ARMEMENT DU CONTACTEUR MANOMÉTRIQUE
 ' = MINUTES
 " = SECONDES

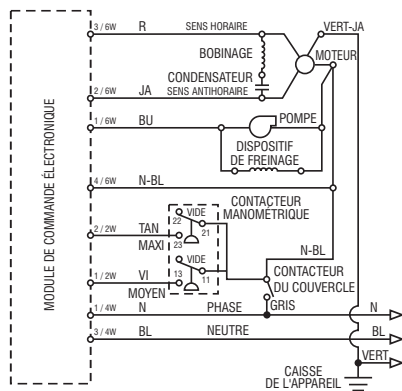
SCHÉMAS FONCTIONNELS

Les schémas de circuits suivants sont fournis aux fins des opérations de diagnostic. Ne pas poursuivre le diagnostic de l'appareil si un fusible est grillé, un disjoncteur s'est ouvert ou si la tension d'alimentation à la prise murale est inférieure à 120 volts.

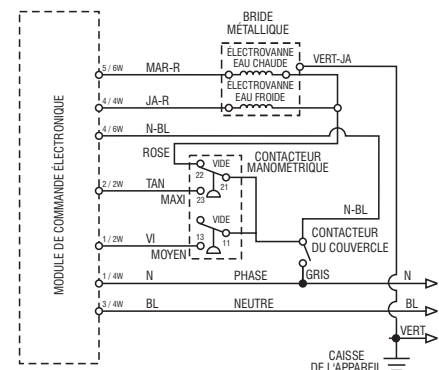
AGITATION



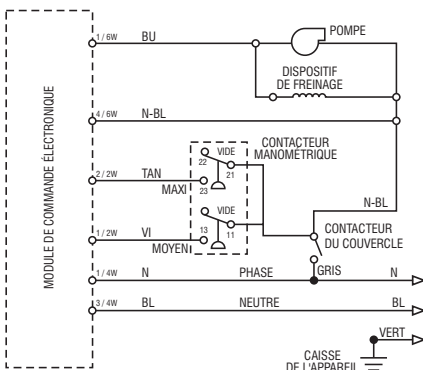
CENTRIFUGATION



REMPLESSAGE



DRAINAGE



LOGICIEL PROTÉGÉ PAR LA LÉGISLATION SUR LA PROPRIÉTÉ INTELLECTUELLE. PRODUIT PROTÉGÉ PAR UN OU PLUSIEURS DES BREVETS CANADIENS SUIVANTS :

1228410	1233658	1287338	1298988	1306367	2018975	2043393	2086151
1233039	1282557	1288966	1301469	1313770	2022266	2056969	D76618

LOGICIEL PROTÉGÉ PAR LA LÉGISLATION SUR LA PROPRIÉTÉ INTELLECTUELLE. PRODUIT PROTÉGÉ PAR UN OU PLUSIEURS DES BREVETS SUIVANTS DES É.-U. :

4545947	4709951	4854559	5000016	5191688	5271251	5515565	6065171	6505370
4555919	4715401	4856303	5031427	5191669	5297403	5582039	6070282	D314263
4566295	4719769	4870988	5033277	5193361	5305485	5582199	6105403	D375390
4572596	4754622	4888965	5074003	5199127	5312138	5651278	6115863	D381140
4618193	4759202	4890465	5075613	5199281	5314044	5671494	6125490	D423740
4624117	4774822	4891959	5113542	5200684	5345637	5765404	6185774	D426686
4643350	4779431	4910979	5130624	5205141	5345792	5784902	6212722	D456572
4646455	4782544	4945735	5150588	5219370	5345793	5791167	6227013	D459844
4656844	4784666	4947516	5154071	5233718	5359744	5836180	6227014	D463631
4656847	4785643	4969341	5166568	5249441	5373715	5852942	6269666	D465308
4692987	4793820	4972134	5167722	5255844	5460018	5875655	6347645	
4693095	4807452	4977394	5172573	5257901	5493745	5878602	6363563	
4697293	4809524	4986093	5177659	5259217	5504955	5883490	6393872	
4700554	4835991	4987627	5191667	5269160	5507053	5946946	6430971	