

⚠ WARNING

Electrical Shock Hazard
Disconnect power before servicing.
Replace all parts and panels before operating.
Failure to do so can result in death or electrical shock.

IMPORTANT**Electrostatic Discharge (ESD) Sensitive Electronics**

ESD problems are present everywhere. ESD may damage or weaken the machine control electronics. The new control assembly may appear to work well after repair is finished, but failure may occur at a later date due to ESD stress.

- Use an anti-static wrist strap. Connect wrist strap to green ground connection point or unpainted metal in the appliance

-OR-

Touch your finger repeatedly to a green ground connection point or unpainted metal in the appliance.

- Before removing the part from its package, touch the anti-static bag to a green ground connection point or unpainted metal in the appliance.
- Avoid touching electronic parts or terminal contacts; handle machine control electronics by edges only.
- When repackaging failed machine control electronics in anti-static bag, observe above instructions.

DIAGNOSTIC GUIDE

Before servicing, check the following:

- Make sure there is power at the wall outlet.
- Has a household fuse blown or circuit breaker tripped? Time delay fuse?
- Is dryer vent properly installed and clear of lint or obstructions?
- All tests/checks should be made with a VOM (volt-ohm-milliammeter) or DVM (digital-voltmeter) having a sensitivity of 20,000 ohms per volt DC or greater.
- Check all connections before replacing components. Look for broken or loose wires, failed terminals, or wires not pressed into connectors far enough.
- A potential cause of a control not functioning is corrosion on connections. Observe connections and check for continuity with an ohmmeter.
- Connectors: Look at top of connector. Check for broken or loose wires. Check for wires not pressed into connector far enough to engage metal barbs.
- Resistance checks must be made with dryer unplugged or power disconnected.

DIAGNOSTIC TESTS

These tests allow factory or service personnel to test and verify all inputs to the machine control electronics. You may want to do a quick and overall checkup of the dryer with these tests before going to specific troubleshooting tests.

ACTIVATING THE DIAGNOSTIC TEST MODE

1. Be sure the dryer is in standby mode (plugged in with all indicators off, or with only the Clothes Dry indicator on).
2. Select any one button (except Pause/Cancel) and follow the steps below, using the same button (remember the button):

Press/hold 2-5 seconds → Release for 2-5 seconds → Press/hold 2-5 seconds → Release for 2-5 seconds → Press/hold 2-5 seconds

3. If this test mode has been entered successfully, all indicators on the console are illuminated for 5 seconds with *BB* showing in the Estimated Time Remaining two-digit display.

DIAGNOSTIC: Unsuccessful Entry

If entry into diagnostic mode is unsuccessful, press the Pause/Cancel button twice, then press the Power button.

- If indicators come on, try to use a different button than was used to activate the diagnostic test mode. If that button fails to enter the diagnostic mode, something is faulty, and it is not possible to enter the diagnostic mode. Go to TEST #2, page 6.
- If no indicators come on after pressing the Power button, go to TEST #1, page 6.

DIAGNOSTIC: Saved Fault Codes

If there are saved fault codes, the most recent fault code will alternately show "F-" and "XX" where XX is the fault code.

Press and release the same button used to activate Diagnostics	→ beep tone →	Second most recent fault code is displayed.
Repeat	→ beep tone →	Third most recent fault code is displayed.
Repeat	→ beep tone →	Fourth most recent fault code is displayed.
Repeat	→	All indicators momentarily turn off, then stay on.

DIAGNOSTIC: Console Buttons and Indicators

Pressing the console buttons or rotating the cycle selector will sound a beep and will turn on or off the corresponding indicators as shown in Figure 1, Console Diagnostics, page 2. Pressing Time Adjust \triangle (more time) will sound a beep and turn the left digit of the display on or off. Pressing Time Adjust ∇ (less time) will sound a beep and turn the right digit of the display on or off.

- If indicators fail to turn on or off and beep after pressing buttons or rotating the cycle selector, go to TEST #6, page 9.

DIAGNOSTIC: Door Switch

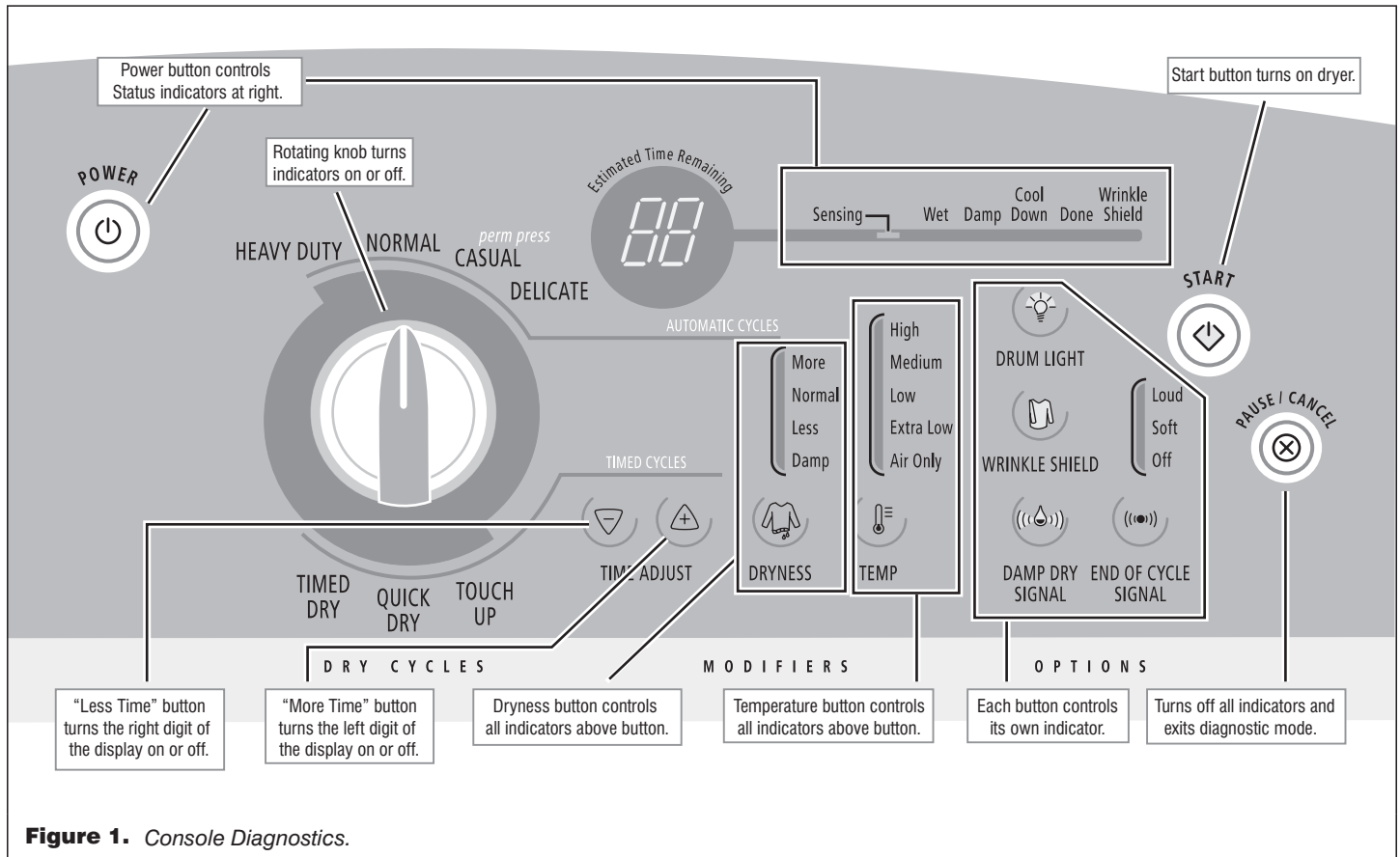
Opening the door should cause a beep and an alphanumeric number to be displayed. Closing the door should cause a beep and *BB* to be displayed.

- If opening the door fails to cause a beep and a number and letter to be displayed, go to TEST #7, page 10.

DIAGNOSTIC: Moisture Sensor

Open the door and locate two metal strips on the inside of the dryer. Bridge these strips with a wet cloth or a finger.

- If a continuous beep tone is heard and an alphanumeric number is displayed on the console, the sensor is OK.
- If not, or if a continuous beep tone is heard before bridging the moisture strips, go to TEST #5, page 9.



DIAGNOSTIC: Motor, Heater, and Console ID

Close the door. Press the Start button. The motor and heater will turn on, and the display will show one of the following console IDs: C0, C1, C2, C3, C4, C5, C6, C7, C8, or C9.

- ➔ If none of the Console IDs above are displayed, replace the user interface assembly. See Accessing & Removing the Electronic Assemblies, page 11.
- ➔ If the motor does not turn on, go to TEST #3, page 6.
- ➔ If no heat is detected, go to TEST #4, page 7.

DIAGNOSTIC: Displaying Line Voltage

Used to display the line voltage currently being measured by the machine control:

After all saved fault codes have been displayed, press the Cycle Signal button. The last 2 digits of the voltage value will be displayed on the dual 7-segment display.

A Dryness modifier LED will also be illuminated to indicate the voltage range corresponding to the number displayed. The Dryness LEDs relate to specific voltage ranges as follows:

- The More LED will be illuminated for high voltage readings (above 132 VAC).
- The Normal LED will be illuminated for normal voltage readings (90-132 VAC).
- The Less LED will be illuminated for low voltage readings (below 90 VAC).

DEACTIVATING THE DIAGNOSTIC TEST MODE

Press the Pause/Cancel button twice to exit diagnostics.

ACTIVATING THE MANUAL LOAD TEST

1. Be sure the dryer is in standby mode (plugged in with all indicators off, or with only the Clothes Dry indicator on).
2. Select any one button (except Pause/Cancel) and follow the steps below, using the same button (remember the button):

Press/hold 2-5 → for 2-5 → hold 2-5 → for 2-5 → hold 2-5 → for 2-5 → hold 2-5 seconds seconds seconds seconds seconds seconds seconds

- 88 flashes momentarily, the motor starts right away, and the Heavy Duty LED flashes (this step starts the Manual Load sequence):
1. Turn on motor. ➔ Flash "Heavy Duty" LED.
- Now press any key (except Pause/Cancel) and the control will advance through each step of the following sequence:
2. Motor + heater. ➔ Flash "Casual" LED.
 3. No loads on (motor + heater off). ➔ Flash "Normal" LED.
 4. Repeat using same button. ➔ Start sequence again at 1.

DEACTIVATING THE MANUAL LOAD TEST

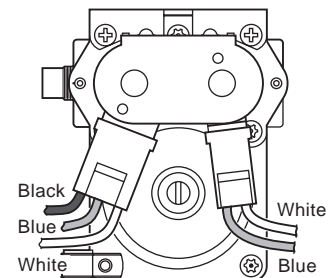
Press the Pause/Cancel button to exit this mode.

DISPLAY FAULT CODES

The fault codes below would be indicated when attempting to start a drying cycle or after activating the diagnostic test mode.

DISPLAY	DESCRIPTION	EXPLANATION / RECOMMENDED PROCEDURE
PF	Power Failure	PF flashes to indicate that a power failure occurred while the dryer was running. Press START to continue the cycle, or press Pause/Cancel to clear the display.
F-01	Primary Control Failure	F-01 flashes when there is a primary control failure. Replace the machine control electronics. See Accessing & Removing the Electronic Assemblies, page 11.
F-02	Keypad/User Interface Failure	F-02 flashes when there is a stuck button or user interface mismatch. This fault code will ONLY appear when in the diagnostic test mode. See TEST #6, page 9.
F-22	Exhaust Thermistor Open	F-22 flashes if the exhaust thermistor is open. See TEST #4a, page 8.
F-23	Exhaust Thermistor Shorted	F-23 flashes if the exhaust thermistor has shorted. See TEST #4a, page 8.
F-26	Motor Drive System Failure	F-26 flashes if there is a motor drive system failure. See TEST #3, page 6.
F-28	Moisture Sensor Open	F-28 flashes if the moisture sensor strip is open. This fault code will ONLY appear when in the diagnostic test mode. See TEST #5, page 9.
F-29	Moisture Sensor Shorted	F-29 flashes if the moisture sensor strip has shorted. This fault code will ONLY appear when in the diagnostic test mode. See TEST #5, page 9.

GAS VALVE

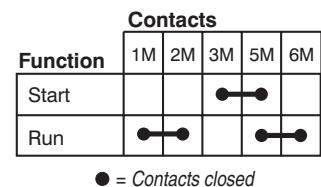


TROUBLESHOOTING GUIDE

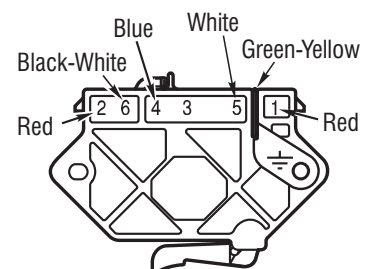
Some tests will require accessing components. See figure 2, page 5 for component locations.

PROBLEM	POSSIBLE CAUSE / TEST
NOTE: Possible Cause/Tests MUST be performed in the sequence shown for each problem.	
WON'T POWER UP. (No response when buttons are pressed.)	<ol style="list-style-type: none"> 1. Supply connections. See TEST #1, page 6. 2. Check harness connections. 3. User interface assembly. See TEST #6, page 9.
WON'T START CYCLE WHEN START BUTTON IS PRESSED.	<ol style="list-style-type: none"> 1. If number display flashes, check to be sure the door is completely shut, and press and hold down START for about 1 second. 2. See TEST #3, page 6. 3. See TEST #7, page 10.
WON'T SHUT OFF WHEN EXPECTED.	<ol style="list-style-type: none"> 1. Check Pause/Cancel button. See TEST #6, page 9. 2. User interface assembly. See TEST #6, page 9. 3. Moisture sensor. See TEST #5, page 9.
CONTROL WON'T ACCEPT SELECTIONS.	User interface assembly. See TEST #6, page 9.
WON'T HEAT.	<ol style="list-style-type: none"> 1. Heater. See TEST #4, page 7. 2. Check harness connections. 3. Check installation.
HEATS IN AIR CYCLE.	Heater. See TEST #4, page 7.
SHUTS OFF BEFORE CLOTHES ARE DRY.	<ol style="list-style-type: none"> 1. Check the dryness setting for auto cycles. 2. Check for full lint screen. 3. Check for clogged vent. 4. Moisture sensor. See TEST #5, page 9. 5. Dryness adjust. See Adjusting Customer-Focused Drying Modes, page 10.

CENTRIFUGAL SWITCH (MOTOR)

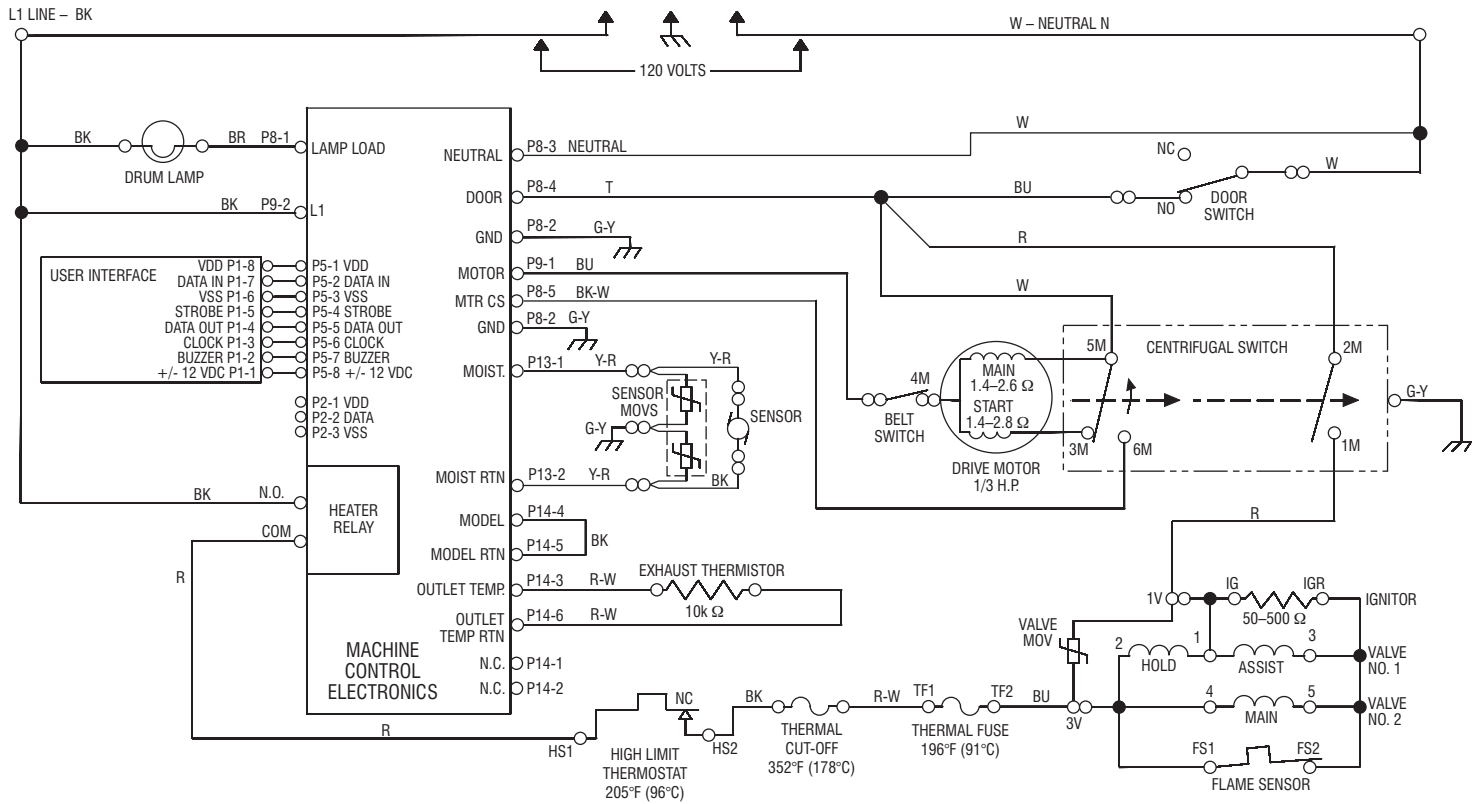


PLUGGABLE DRIVE MOTOR SWITCH

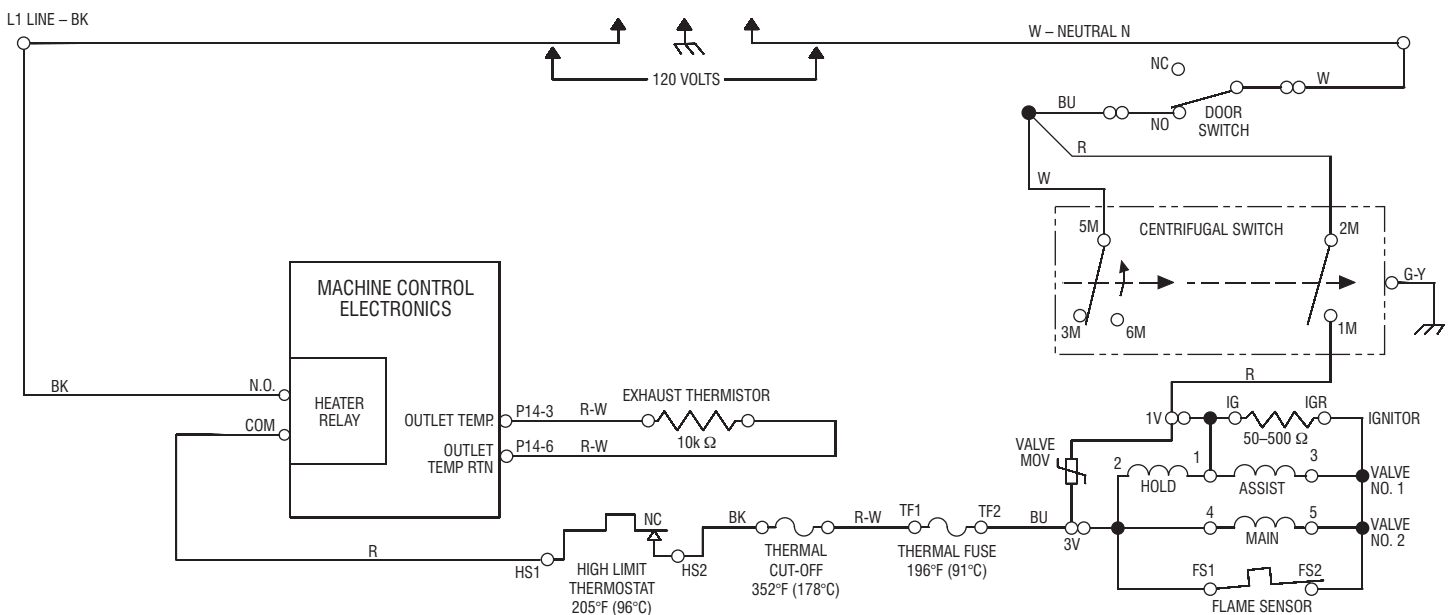


GAS DRYER WIRING DIAGRAM

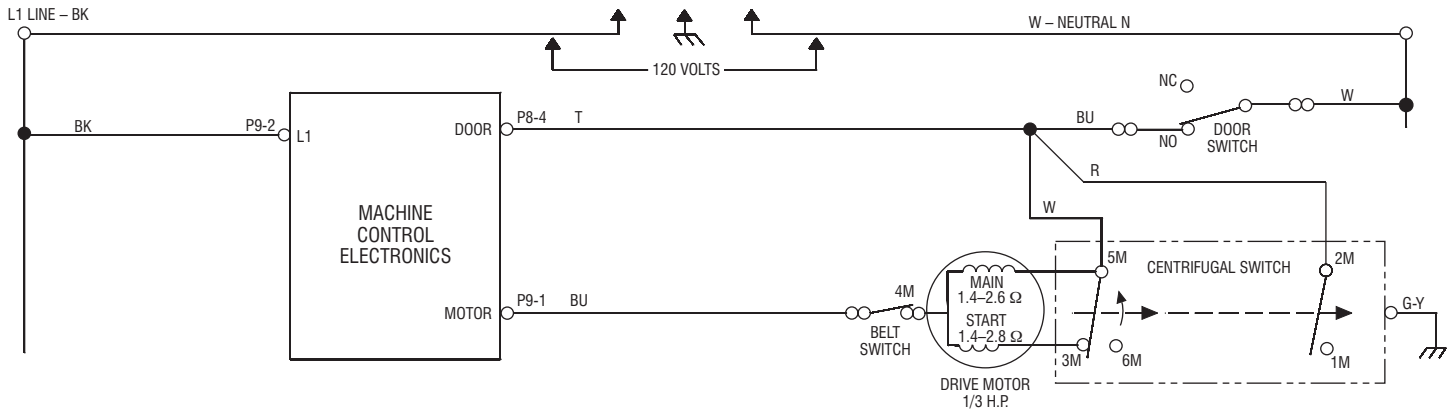
IMPORTANT: Electrostatic (static electricity) discharge may cause damage to machine control electronics. See page 1 for details.



HEATER (GAS VALVE) STRIP CIRCUIT



DRIVE MOTOR STRIP CIRCUIT



MOISTURE SENSOR STRIP CIRCUIT

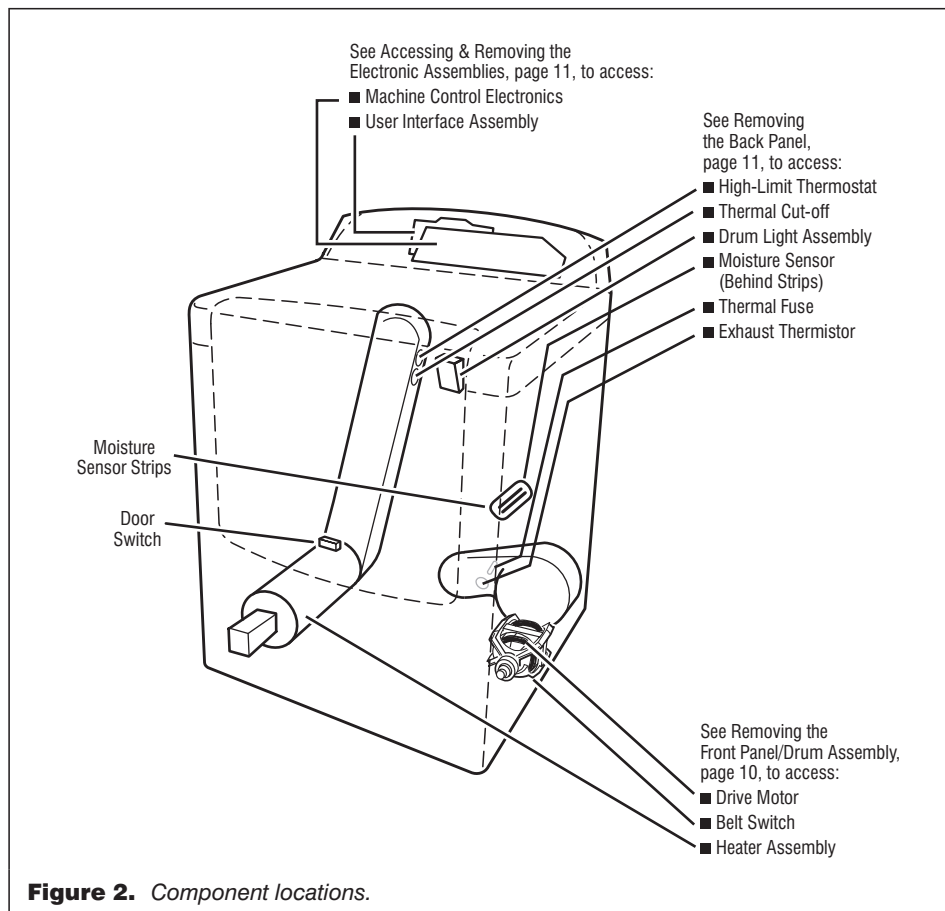
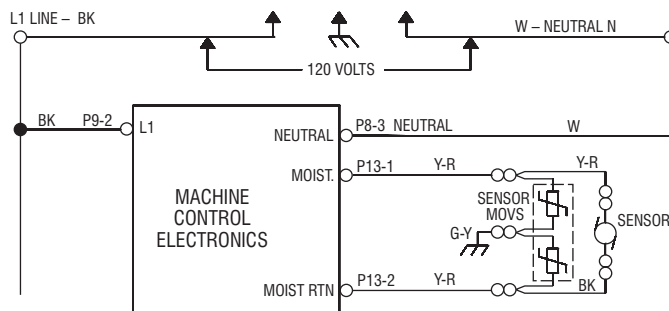


Figure 2. Component locations.

TROUBLESHOOTING TESTS

NOTE: These checks are done with the dryer unplugged or disconnected from power.

TEST #1 Supply Connections

This test should only be done after confirming proper voltage at the outlet.

1. Unplug dryer or disconnect power.
2. Remove the cover plate from the back of the dryer. See figure 3.

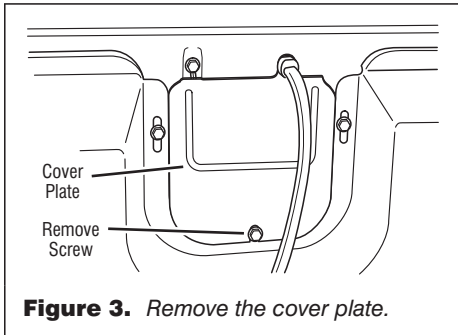


Figure 3. Remove the cover plate.

3. Check that the power cord is firmly connected to the dryer's wire harness. See figure 4.

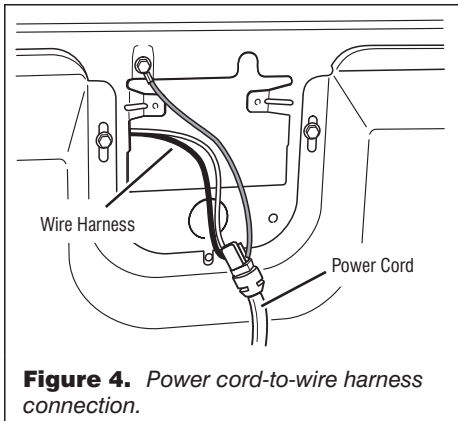


Figure 4. Power cord-to-wire harness connection.

4. Access the machine control electronics without disconnecting any wiring to the control board. See Accessing & Removing the Electronic Assemblies, page 11.
5. With an ohmmeter, check for continuity between the neutral (N) terminal of the plug and P8-3 (white wire) on the machine control board. The left-hand side of figure 5 shows the position of the neutral terminal (N) on the power cord plug. Also see figure 16, page 11.
 - If there is continuity, go to step 6.
 - If there is no continuity, disconnect the white wire of the harness from the power cord at the location illustrated in figure 4. Test the continuity of the power cord neutral wire as illustrated in figure 5. If an

open circuit is found, replace the power cord. Otherwise, go to step 6.

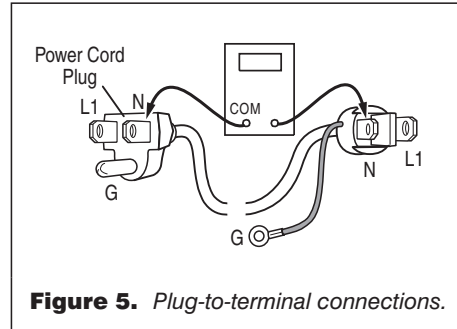


Figure 5. Plug-to-terminal connections.

6. In a similar way, check the continuity between the L1 terminal of the plug and P9-2 (black wire) on the control board. See figure 16, page 11.
 - If there is continuity, go to step 8.
 - If there is no continuity, check the continuity of the power cord in a similar way to that illustrated in figure 5, but for power cord's L1 wire.
 - If an open circuit is found, replace the power cord. Otherwise, go to step 7.
7. Replace the main harness.
8. Visually check that the P5 connector is inserted all the way into the machine control electronics.
9. Visually check that the user interface assembly is properly inserted into the front console.
10. If both visual checks pass, replace the user interface assembly.
11. Plug in dryer or reconnect power.
12. Perform the Console Buttons and Indicators Diagnostic test, page 1, to verify repair.
13. If indicators still do not light, the machine control electronics has failed:
 - Unplug dryer or disconnect power.
 - Replace the machine control electronics.
 - Plug in dryer or reconnect power.
 - Perform the Console Buttons and Indicators Diagnostic test, page 1 to verify repair.

TEST #2 Machine Control Power Check

This test is used to determine if power is present at the machine control electronics.

NOTE: The drum light is controlled by the machine control on all models.

1. Plug in dryer or reconnect power.
2. Open the door.

- If the drum light illuminates, then power is present at the machine control. Go to TEST #6, page 9.
- If the drum light fails to illuminate, do not assume the machine control electronics needs replacement. Several conditions may cause the drum light not to illuminate, including

a bad bulb. If the drum light does not illuminate, go to TEST #1.

TEST #3 Drive Motor Circuit

This test will check the wiring to the motor and the motor itself. The following items are part of this motor system:

- Harness/connection
- Centrifugal switch
- Belt/belt switch
- Door switch
- Drive motor
- Machine control electronics. See ESD information, page 1.

1. Unplug dryer or disconnect power.
2. Access the machine control electronics and measure the resistance across P8-4 and P9-1. See Accessing & Removing the Electronic Assemblies, page 11.
 - If resistance across P8-4 and P9-1 is in the range of 1 to 6 ohms, replace the machine control electronics.
 - Otherwise, go to step 3.
3. Check the wiring and components in the path between these measurement points by referring to the appropriate wiring diagram and strip circuit, pages 4 and 5.
4. Check the belt switch and drive motor. Access the belt switch and drive motor by removing the front panel/drum assembly. See Removing the Front Panel/Drum Assembly, page 10. Slowly remove the drum belt from the spring-loaded belt switch tension pulley, gently letting the pulley down. See figure 6.

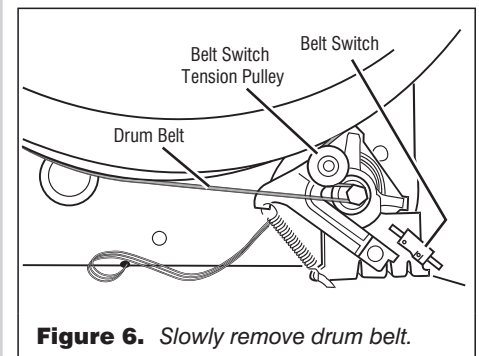


Figure 6. Slowly remove drum belt.

5. Remove the white connector from the drive motor switch. See figure 7, page 7.

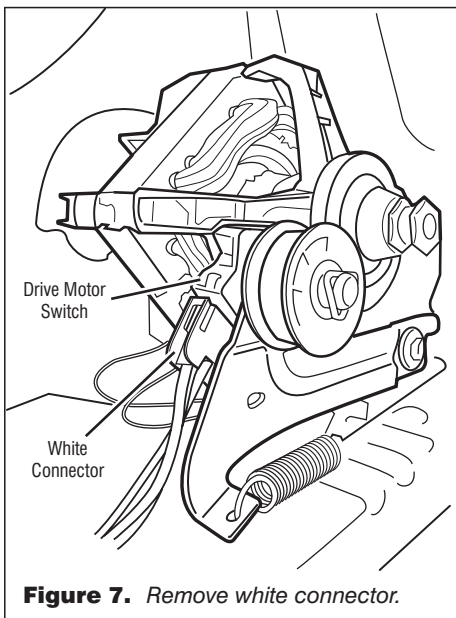


Figure 7. Remove white connector.

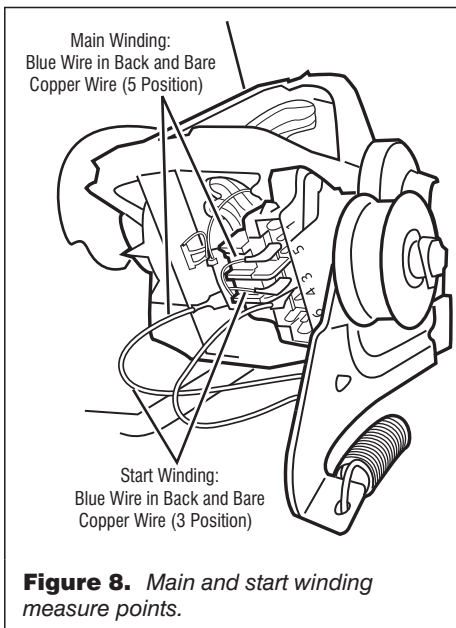


Figure 8. Main and start winding measure points.

6. Using figure 8, check for the resistance values of the motor's Main and Start winding coils as shown in the following table.

NOTE: Main and Start winding coils must be checked at the motor.

WINDING	RESISTANCE Ω	CONTACT POINTS OF MEASUREMENT
MAIN	1.4-2.6	Blue wire in back at pin 4 and bare copper wire on pin 5 of black drive motor switch
START	1.4-2.8	Blue wire in back at pin 4 and bare copper wire on pin 3 of black drive motor switch

- If the resistance at the motor is correct, there is an open circuit between the motor and machine control electronics. Check for failed belt switch.
- If the Start winding resistance is much greater than 4 ohms, replace the motor.

7. Check the belt switch by measuring resistance between the two blue wires as shown in figure 9, while pushing up the belt switch tension pulley.

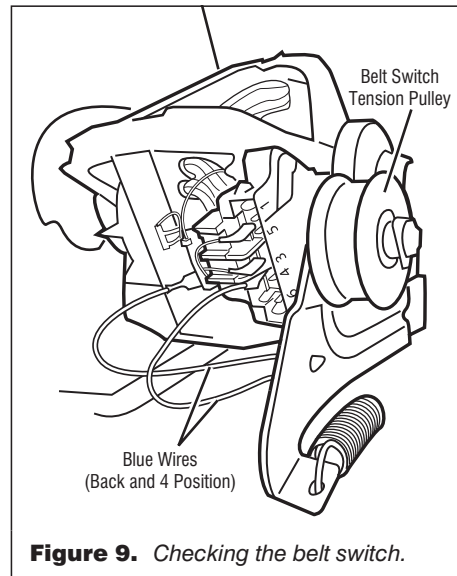


Figure 9. Checking the belt switch.

- If the resistance reading goes from infinity to a few ohms as pulley arm closes the switch, belt switch is OK. If not, replace the belt switch.
- If belt switch is OK and there is still an open circuit, check and repair the wiring harness.

8. Door switch problems can be uncovered in the Door Switch Diagnostic Test, page 1; however, if this was not done, the following can be done without applying power to the dryer. Connect an ohmmeter across P8-3 (neutral, white wire) and P8-4 (door, tan wire).

- With the door properly closed, the ohmmeter should indicate a closed circuit (0-2 ohms).
- If not, replace the door switch assembly. See figure 12, page 10; and Removing the Front Panel/Drum Assembly, page 10.

TEST #4 Heater

This test is performed when either of the following situations occur:

- ✓ Dryer does not heat
- ✓ Heat will not shut off

This test checks the components making up the heating circuit. The following items are part of this system:

- Harness/connection
- Heater relay
- High limit thermostat
- Thermal cut-off
- Thermal fuse
- Gas burner assembly
- Centrifugal switch
- Exhaust thermistor
- Machine control electronics. See ESD information, page 1.
- Gas supply

Dryer does not heat:

Locate the components using figure 2, page 5; and figure 10.

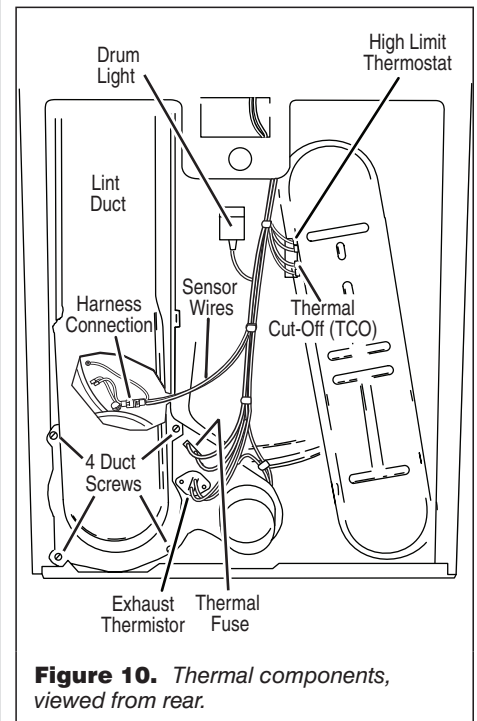


Figure 10. Thermal components, viewed from rear.

1. Unplug dryer or disconnect power.
2. Remove the back panel to access the thermal components. See Removing the Back Panel, page 11.
3. Perform TEST #4b, page 9. If the thermal fuse is OK, go to step 4.
4. Perform TEST #4c, page 9. If the thermal cut-off is OK, go to step 5.
5. Locate the high limit thermostat. See figure 10. Measure the continuity through it by connecting the meter probes on the red wire and blue wire terminals.

- If there is an open circuit, replace the high limit thermostat and thermal cut-off.
- Otherwise, go to step 6.

6. Perform TEST #4d. If this is OK, replace the machine control electronics.

Heat will not shut off:

1. Unplug dryer or disconnect power.
2. Access the machine control electronics, remove the P14 connector, then measure the resistance between P14-3 (red-white wire) and P14-6 (red-white wire) at the connector. See figure 16, page 11 for connector location; and Accessing & Removing the Electronic Assemblies, page 11.
 - If 5–15 k ohms are measured, replace the machine control electronics.
 - If the resistance is greater than 20 k ohms, replace the exhaust thermistor.

Heat will not shut off:

1. Unplug dryer or disconnect power.
2. Access the machine control electronics, remove the P4 connector, then measure the resistance between P4-3 (red wire) and P4-6 (red wire) at the connector. See figure 16, page 11 for connector location; and Accessing & Removing the Electronic Assemblies, page 11.
 - If 5–15 k ohms are measured, replace the machine control electronics.
 - If the resistance is greater than 20 k ohms, replace the exhaust thermistor.

TEST #4a Exhaust Thermistor

The machine control electronics monitors the exhaust temperature using the exhaust thermistor, and cycles the heater relay on and off to maintain the desired temperature.

Begin with an empty dryer and a clean lint screen.

1. Plug in dryer or reconnect power.
2. Start the Timed Dry cycle.
3. If after 60 seconds, F-22 or F-23 flashes in the display and the dryer shuts off, the thermistor or wire harness is either open or shorted.
 - Unplug dryer or disconnect power.
 - Check wire connections at the machine control electronics and thermistor. See Accessing & Removing the Electronic Assemblies, page 11; and for thermistor location, figure 10, page 7.

- If wire connections are OK, check the exhaust thermistor resistance per step 5.

4. If F-22 or F-23 does not flash in the display, the connections to the thermistor are good. Therefore, check the exhaust temperature value at any or all of the temperature levels in question, using the Timed Dry cycle, and the following process:

Hold a glass bulb thermometer capable of reading from 90° to 180°F (32° to 82°C) in the center of the exhaust outlet. The correct exhaust temperatures are as follows:

EXHAUST TEMPERATURES		
TEMPERATURE SETTING	HEAT TURNS OFF* °F (°C)	HEAT TURNS ON °F (°C)
High	155°±5° (68°±3°)	10°–15° (6°–8°) below the heat turn off temperature
Medium	140°±5° (60°±3°)	
Low	125°±5° (52°±3°)	
Extra Low	105°±5° (41°±3°)	

*The measured overshoot using the glass bulb thermometer in the exhaust outlet can be 30°F (17°C) higher.

5. If the exhaust temperature is not within specified limits, or you have come here from step 3, remove the P14 connector, then measure the resistance between P14-3 (red-white wire) and P14-6 (red-white wire) at the connector. See figure 16, page 11 for connector location; and Accessing & Removing the Electronic Assemblies, page 11.
 - If the resistance is OK, check P14-3 and P14-6 to machine ground.
 - If resistance is greater than 0 (zero), replace wiring harness.

NOTE: All thermistor resistance measurements must be made while dryer is disconnected from power.

The following table gives temperatures and ranges for the associated thermistor resistance values.

EXHAUST THERMISTOR RESISTANCE			
TEMP. °F (°C)	RES. kΩ	TEMP. °F (°C)	RES. kΩ
50° (10°)	19.0–22.0	80° (27°)	8.5–10.5
60° (16°)	14.8–16.8	90° (32°)	6.8–8.8
70° (21°)	11.5–13.5	100° (38°)	5.0–7.0

- If the thermistor resistance does not agree with table, replace the exhaust thermistor.
- If the thermistor resistance checks agree with the measurements in the table, replace the machine control electronics.

TEST #4b Thermal Fuse

The thermal fuse is wired in series with the dryer drive motor.

1. Unplug dryer or disconnect power.
2. Access the thermal fuse by first removing the back panel. See Removing the Back Panel, page 11; and for thermal fuse location see figure 10, page 7.
3. Using an ohmmeter, check the continuity across the thermal fuse.
 - If the ohmmeter indicates an open circuit, replace the failed thermal fuse.

TEST #4c Thermal Cut-Off

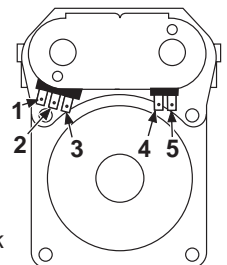
If the dryer does not produce heat, check the status of the thermal cut-off.

1. Unplug dryer or disconnect power.
2. Access the thermal cut-off by first removing the back panel. See Removing the Back Panel, page 11.
3. Using an ohmmeter, check the continuity across the thermal cut-off. See figure 10, page 7, for location.
 - If the ohmmeter indicates an open circuit, replace the failed thermal cut-off and high limit thermostat. In addition, check for blocked or improper exhaust system.

TEST #4d Gas Valve

1. Unplug dryer or disconnect power.
2. Access the gas valve by removing the front panel and drum assembly. See Removing the Front Panel/Drum Assembly, page 10.
3. Use an ohmmeter to determine if a gas valve coil has failed. Remove harness plugs. Measure resistance across terminals. Readings should match those shown in the following chart. If not, replace coil.

Terminals	Resistance Ω
1 to 2	1365 ± 25
1 to 3	560 ± 25
4 to 5	1220 ± 50



IMPORTANT: Be sure all harness wires are looped back through the strain relief after checking or replacing coils.

TEST #5 Moisture Sensor

NOTE: This test is started with the machine completely assembled.

This test is performed when an automatic cycle stops too soon, or runs much longer than expected.

NOTE: Dryer will shut down automatically after 2½ hours.

The following items are part of this system:

- Harness/connection
- Metal sensor strips
- Machine control electronics

1. Activate the diagnostic test mode and advance past saved fault codes. See procedure on page 1.
2. Open the dryer door. If a continuous beep tone is heard and an alphanumeric number is displayed on the console as soon as the door is opened, a short circuit exists in the moisture sensor system.
 - If this doesn't happen, go to step 3.
 - Otherwise, go to step 4.

NOTE: Over drying may be caused by a short circuit in the sensor system.
3. Locate the two metal sensor strips on the inside of the dryer. Bridge these strips with a wet cloth or finger.
 - If a continuous beep tone is heard and a software revision number is displayed on the console, the sensor passes the test. Go to step 8.
 - If not, continue with step 4.
4. Access the moisture sensor wires:
 - Remove the back panel. See Removing the Back Panel, page 11.
 - Remove the lint screen.
 - Remove the two screws holding the lint screen duct to the top.
 - Remove four screws from bottom of the duct in rear. See figure 10, page 7.
 - Remove the duct from the dryer to access the moisture sensor.
 - Disconnect the sensor connector. See figure 11.

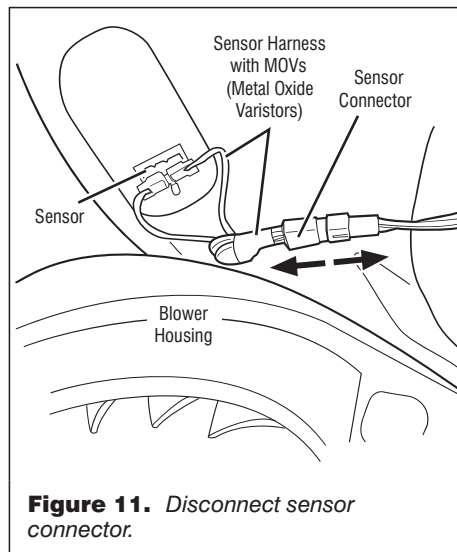


Figure 11. Disconnect sensor connector.

5. Access the machine control electronics. See Accessing & Removing the Electronic Assemblies, page 11. Remove the connector P13 from the circuit board. Check the main harness connections between the sensor connector and machine control for a short or open circuit.
 - Replace the main harness if necessary.
 - If harness is OK, continue with step 6.
6. Measure the resistance across the outermost contacts of the sensor connector that includes the two MOVs.
 - If a small resistance is measured, check for debris across moisture strips inside of the drum; clean if debris is present. If debris is not present, replace sensor harness with MOVs.
 - Otherwise go to step 7.
7. Measure the resistance across each of the outermost contacts and the center terminal (ground connection).
 - If a resistance less than infinity is measured, replace the sensor harness with MOVs.
8. If moisture sensor diagnostic test passes, check the thermistor: Perform TEST #4a, page 8.
 - If the problem persists after replacing the moisture sensor, harness with MOVs and thermistor, replace the machine control electronics.

TEST #6 Buttons and Indicators

This test is performed when any of the following situations occurs during the Console Buttons and Indicators Diagnostic Test, page 1:

- ✓ None of the indicators light up
- ✓ No beep sound is heard
- ✓ Some buttons do not light indicators

None of the indicators light up:

1. See Diagnostic Guide/Before Servicing... on page 1.
2. Perform TEST #1, page 6 to verify supply connections.
3. Perform TEST #2, page 6.
4. Perform steps in Accessing & Removing the Electronic Assemblies, page 11 and visually check that the P5 connector is inserted all the way into the machine control electronics.
5. Visually check the user interface assembly connections.
6. If both visual checks pass, replace the user interface assembly.
7. Plug in dryer or reconnect power.
8. Perform the Console Buttons and Indicators Diagnostic test, page 1 to verify repair.
9. If indicators still do not light, the machine control electronics has failed:
 - Unplug dryer or disconnect power.
 - Replace the machine control electronics.
 - Plug in dryer or reconnect power.
 - Perform the Console Buttons and Indicators Diagnostic test, page 1 to verify repair.

No beep sound is heard:

1. Perform steps in Accessing & Removing the Electronic Assemblies, page 11 and visually check that the P5 connector is inserted all the way into the machine control electronics.
 - If visual check passes, replace the user interface assembly.
2. Plug in dryer or reconnect power.
3. Perform the Console Buttons and Indicators Diagnostic test, page 1 to verify repair.
4. If replacing the user interface assembly failed:
 - Unplug dryer or disconnect power.
 - Replace the machine control electronics.
 - Plug in dryer or reconnect power.

- Perform the Console Buttons and Indicators Diagnostic test, page 1 to verify repair.

Some buttons do not light indicators:

1. Perform steps in Accessing & Removing the Electronic Assemblies, page 11 and visually check the user interface assembly connections.
 - If visual check passes, replace the user interface assembly.
2. Plug in dryer or reconnect power.
3. Perform the Console Buttons and Indicators Diagnostics test, page 1 to verify repair.

TEST #7 Door Switch

Activate the diagnostic test mode as shown on page 1, and perform the Door Switch Diagnostic test, page 1. Functionality is verified with a beep each time the door is closed and opened, and a number and letter appears in the display (i.e., 0E, 09).

If any of these conditions are not met:

- Unplug dryer or disconnect power.
- Check that the wires between the door switch and machine control electronics are connected. See figure 12 for switch location and see Removing the Front Panel/Drum Assembly, page 10.
 - If the connections are OK, replace the door switch assembly and retest.
 - If the door switch assembly has been replaced and dryer still does not start, replace the machine control electronics.

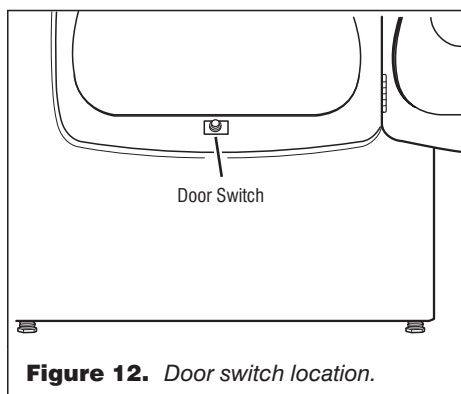


Figure 12. Door switch location.

ADJUSTING CUSTOMER-FOCUSED DRYING MODES

NOTE: If the customer is complaining about the clothes being damp and the moisture sensor passes TEST #5, page 9, step 3, the total dry time for an automatic cycle can be lengthened by changing from a "1" (standard auto cycle) to a "2" (15% more drying time) or "3" (20% more drying time) auto cycle.

1. Press and hold the Dryness button for 5 seconds. The dryer will beep and display CF for one second, then the current drying mode will be seen on the display. The factory default value is "1".
2. To select a different drying mode, press the Dryness button again. The dryer display will flash and show the available settings.
3. With the display flashing the selected drying mode, press the Start button to save the drying mode and exit (the Start button in this mode does not start a drying cycle). The result will be stored in EEPROM of the control board, and will be retained after a power loss.
4. Press the Pause/Cancel button at any time to cancel changes and exit from this mode.

REMOVING THE FRONT PANEL/DRUM ASSEMBLY

1. Unplug dryer or disconnect power.
2. Remove the lint screen.
3. Remove the two screws holding the lint screen duct to the top.
4. Open the door.
5. Push on the retaining clips located under top of dryer on the right and left side using a flat object such as a putty knife. See figure 13.

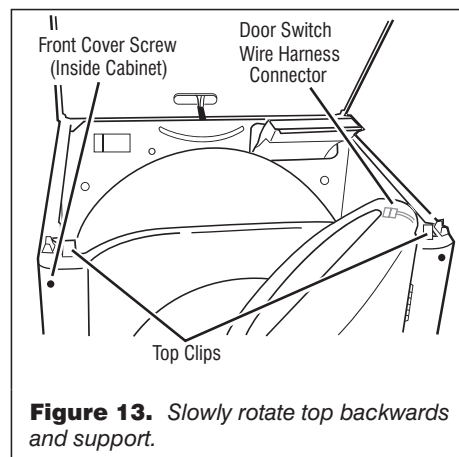


Figure 13. Slowly rotate top backwards and support.

6. Slowly rotate top backwards and lean against wall, or support with a prop rod.
7. Disconnect the door switch wire harness located on the right side. See figure 13.
8. Remove the front panel/door assembly by removing the two front cover screws at the top of the panel inside the cabinet, and lifting upward.
9. Remove the front bulkhead by loosening the upper two screws and removing the lower two screws. See figure 14.

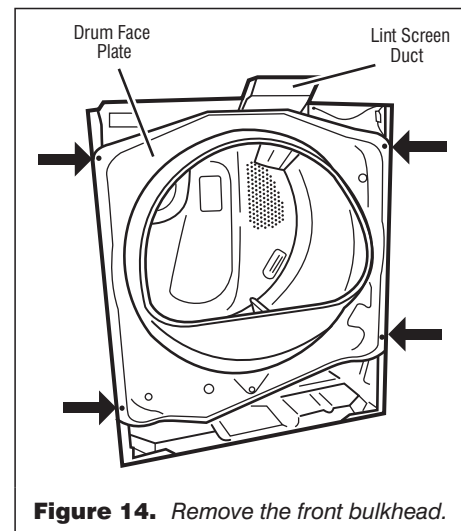


Figure 14. Remove the front bulkhead.

10. Lower components can be accessed at this time, however, if the drum is to be removed, the belt must be removed. See TEST #3, step 4, page 6.

Reinstalling the Front Panel/Drum Assembly

Refer to preceding removal sections and replace in reverse order.

ACCESSING & REMOVING THE ELECTRONIC ASSEMBLIES

There are two electronic assemblies; the machine control electronics and the user interface electronics. See figures 15 and 16.

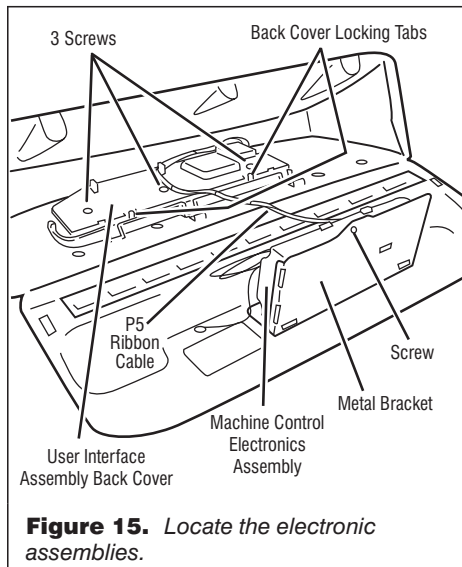


Figure 15. Locate the electronic assemblies.

1. Unplug dryer or disconnect power.
2. Remove two screws from the rear of the console assembly. Pull console towards front of dryer to hinge open and/or remove console.

Removing the Machine Control Electronics

3. Remove the wire connections to the machine control assembly.
4. Remove the one screw holding the machine control assembly to the metal bracket. See figure 15.
5. Push in on the tab located on the back of the machine control to slide it off the bracket.

Removing the User Interface Assembly

3. Remove the wire connections from the user interface assembly, including the P5 ribbon cable. See figure 15.
4. Remove the cycle selector knob from the front of the console by firmly pulling on it or carefully prying straight upward.
5. The user interface assembly is held to the console insert panel by three screws and two locking tabs. After the screws are removed, lift each of the locking tabs to remove the back cover of the user interface assembly. See figure 15.

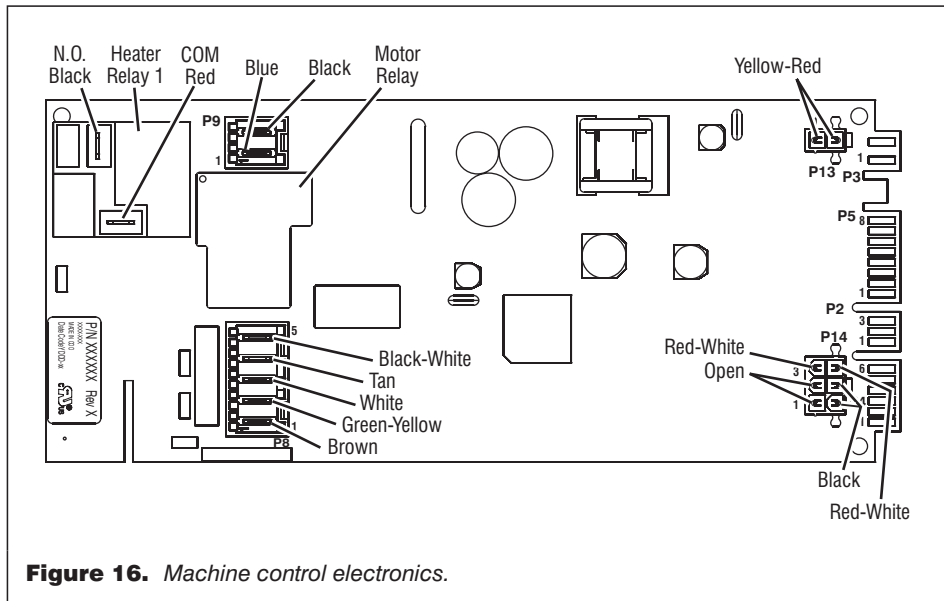


Figure 16. Machine control electronics.

6. Remove the cycle selector switch from the user interface assembly opening by lifting the locking tab on the cycle selector switch and turning the selector switch in a counterclockwise direction. See figure 17.

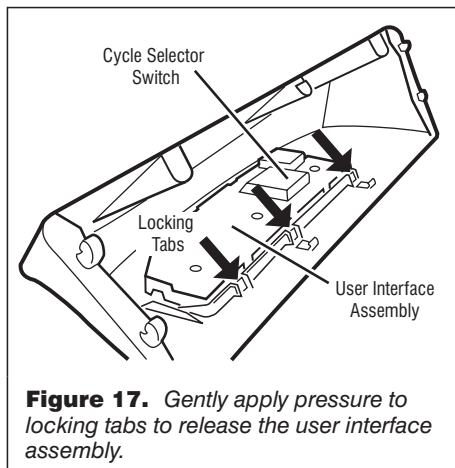


Figure 17. Gently apply pressure to locking tabs to release the user interface assembly.

7. Locking tabs located at the bottom of the console insert panel secure the user interface assembly to the console insert panel. Using a flat-blade screwdriver, gently apply pressure to the locking tabs to release the user interface assembly. See figure 17.

Reinstalling the Electronic Assemblies

Refer to preceding removal sections and replace in reverse order.

NOTE: When replacing the cycle selector switch, make sure that the shaft is positioned through the center of the shaft seal that is captive between the decorative overlay and the console panel insert.

NOTE: When reconnecting wire connections, be sure to route the user interface wires beneath the retainer clips on the user interface back cover.

REMOVING THE BACK PANEL

1. Unplug dryer or disconnect power.
2. Remove the cover plate screw and cover plate. See figure 18.
3. Remove the eight rear screws from the back panel, then remove panel.

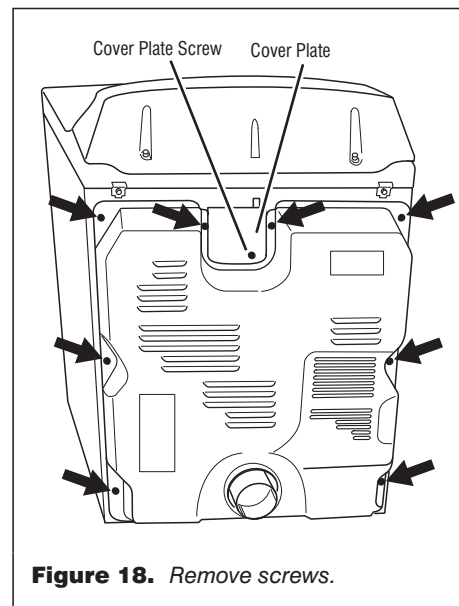


Figure 18. Remove screws.

SOFTWARE COPYRIGHTED.
MANUFACTURED UNDER ONE OR MORE
OF THE FOLLOWING U.S. PATENTS:

4,669,200	4,989,347	6,446,357	D314,261
4,700,495	5,066,050	6,597,144	D314,262
4,754,556	5,560,120	6,604,298	D457,991
4,840,285	5,809,828	6,685,241	D457,992
4,865,366	6,020,698	6,732,447	D495,453
4,899,464	6,047,486	6,784,673	
4,908,959	6,199,300	6,819,255	