

⚠ WARNING



Electrical Shock Hazard
Disconnect power before servicing.
Replace all parts and panels before operating.
Failure to do so can result in death or electrical shock.

DIAGNOSTIC GUIDE

Before servicing, check the following:

- Make sure there is power at the wall outlet.
- Has a household fuse blown or circuit breaker tripped? Time delay fuse?
- Are both hot and cold water faucets open and water supply hoses unobstructed?
- All tests/checks should be made with a VOM (volt-ohm-milliammeter) or DVM (digital-voltmeter) having a sensitivity of 20,000 Ω per volt DC or greater.
NOTE: Avoid using large diameter probes when checking harness connectors as the probes may damage the connectors upon insertion.
- Check all connections before replacing components. Look for broken or loose wires, failed terminals, or wires not pressed into connectors far enough.
- A potential cause of a control not functioning is corrosion or contamination on connections. Observe connections and check for continuity with an ohmmeter.
- Connectors: Look at top of connector. Check for broken or loose wires. Check for wires not pressed into connector far enough to engage metal barbs.
- Resistance checks must be made with washer unplugged or power disconnected.

DIAGNOSTIC TESTS

There are three diagnostic test modes available: Automatic, Manual and Console. These tests allow the factory or service personnel to test and verify all inputs to the machine/motor control. You may want to allow the automatic test cycle to complete prior to going into specific troubleshooting tests.

ACTIVATION OF AUTOMATIC DIAGNOSTIC TEST MODE

1. Be sure the washer is in standby mode (plugged in with all indicators off; or with only the Clean indicator on).
2. Select any one button (except POWER, START and PAUSE/CANCEL) and follow the steps below, using the same button (remember the button):
 - a. Press/hold 3 seconds.
 - b. Release for 3 seconds.
 - c. Press/hold 3 seconds.
 - d. Release for 3 seconds.
 - e. Press/hold 3 seconds.

IMPORTANT

Electrostatic Discharge (ESD) Sensitive Electronics

ESD problems are present everywhere. ESD may damage or weaken the electronic control assembly. The new control assembly may appear to work well after repair is finished, but failure may occur at a later date due to ESD stress.

- Use an anti-static wrist strap. Connect wrist strap to green ground connection point or unpainted metal in the appliance -OR- Touch your finger repeatedly to a green ground connection point or unpainted metal in the appliance.
- Before removing the part from its package, touch the anti-static bag to a green ground connection point or unpainted metal in the appliance.
- Avoid touching electronic parts or terminal contacts; handle electronic control assembly by edges only.
- When repackaging failed electronic control assembly in anti-static bag, observe above instructions.

- If this test mode has been entered successfully, all indicators on the console are illuminated for 5 seconds with **BB** showing in the Estimated Time Remaining two-digit display.
 - If indicators do not display as described above, the press/hold/release procedure above may not have been performed within the time frame necessary for successful entry. Repeat step 2 to ensure this was not the cause. If still unsuccessful, see Diagnostic: Unsuccessful Entry, page 2.
3. The program then checks for saved fault codes:
- If there are saved fault codes, see Diagnostic: Saved Fault Codes, page 2.
 - If there are no saved fault codes, all indicators on the console will momentarily turn off, then turn back on with **BB** displayed. After 5 seconds, the Automatic test, below, begins.

DIAGNOSTIC: Automatic

Performs a five-minute automatic test with water functions to check major washer functions (door can be open). Press the same button used in step 2 above to advance through automatic test steps.

NOTE: Basket must be floating in order to agitate. Step C1 must be allowed to complete before advancing to step C5.

Two-Digit Indicator	Machine Function	Recommended Procedure
C0	Slow spin to 23 rpm.	If no spin go to Manual: Motor, Spin, page 2.
C1	Warm water fills through Fresh and Detergent valves, then Fresh valve until basket floats (disengages); then washer continues filling through Fresh and Detergent valves to minimum water level.	If no water or fill temperature is wrong, go to Manual: Water Valves, page 2. If basket does not float or disengage, determine cause of friction.
C2	Cold water fills through Bleach valve for 10 seconds.	If no water in bleach cup go to Manual: Water Valves, page 2.

Two-Digit Indicator	Machine Function	Recommended Procedure
C3	Hot water fills through Fabric Softener valve for 10 seconds. NOTE: Step will occur but no water can be dispensed with models that do not have a fabric softener valve.	If no water in fabric softener cup go to Manual: Water Valves, page 2.
C4	Warm water fills through Detergent valve for 10 seconds.	If no water in detergent cup go to Manual: Water Valves, page 2.
C5	Agitate for 15 seconds.	If no wash action go to Manual: Motor, Agitate; page 2.
C6	Recirculate for 10 seconds.	If water is not being recirculated go to Manual: Pumps, page 2.
C7	Drain to basket engaged plus timed drain for 10 seconds.	If water is not draining go to Manual: Pumps, page 2. If basket does not engage determine cause of friction.
C8	Drain & slow spin 23 rpm.	If drain pump is not on go to Manual: Pumps, page 2. If basket is not turning go to Manual: Motor, page 2.
C9	Coast to 0 rpm.	If basket does not stop spinning within 5 seconds, press PAUSE/CANCEL and restart test.
(none) (Test ends)	End of Cycle beep.	If no end of cycle beep, make sure cycle signal is on. From Setting Mode, pressing buttons should sound valid key press beep.

SOFTWARE COPYRIGHTED. MANUFACTURED UNDER ONE OR MORE OF THE FOLLOWING U.S. PATENTS:

4,693,095	4,779,431	4,856,303	4,972,134	5,113,542	5,191,668	5,249,441	5,314,044	5,507,053	5,836,180	6,115,863	6,393,872	6,640,372	6,906,270	D459,844
4,697,293	4,782,544	4,870,988	4,977,394	5,130,624	5,191,669	5,255,844	5,345,637	5,515,565	5,852,942	6,125,490	6,430,971	6,647,575	6,927,351	D463,631
4,700,554	4,784,666	4,888,965	4,986,093	5,150,588	5,193,361	5,257,901	5,345,792	5,582,039	5,875,655	6,185,774	6,505,370	6,658,902	6,961,642	D465,308
4,709,951	4,785,643	4,890,465	4,987,627	5,154,071	5,199,127	5,259,217	5,345,793	5,582,199	5,878,602	6,212,722	6,550,292	6,715,175	6,966,204	D474,566
4,715,401	4,793,820	4,891,959	5,000,016	5,166,568	5,199,281	5,269,160	5,359,744	5,651,278	5,883,490	6,227,013	6,564,413	6,766,670	D375,390	D502,577
4,719,769	4,807,452	4,910,979	5,031,427	5,167,722	5,200,684	5,271,251	5,373,715	5,671,494	5,946,946	6,227,014	6,584,811	6,786,058	D381,140	D511,955
4,754,622	4,809,524	4,945,735	5,033,277	5,172,573	5,205,141	5,297,403	5,460,018	5,765,404	6,065,171	6,269,666	6,591,439	6,820,447	D423,740	
4,759,202	4,835,991	4,947,516	5,074,003	5,177,659	5,219,370	5,305,485	5,493,745	5,784,902	6,070,282	6,347,645	6,591,638	6,845,536	D426,686	
4,774,822	4,854,559	4,969,341	5,075,613	5,191,667	5,233,718	5,312,138	5,504,955	5,791,167	6,105,403	6,363,563	6,637,062	6,860,032	D456,572	

DIAGNOSTIC: Unsuccessful Entry

If entry into diagnostic mode is unsuccessful (see steps 1 and 2 of Activation of Automatic Diagnostic Test Mode, page 1), refer to the following indications and actions:

Indication 1: None of the indicators or display turns on.

Action: Press POWER button to enter setting mode.

- If indicators come on, try to change the function for the button used to activate the diagnostic test mode. If that button fails to change the function, something is faulty with the button, and it is not possible to enter the diagnostic mode.
- If no indicators come on after pressing POWER button, go to TEST #1, page 4.

Indication 2: Fault code flashes from the display.

Action: Review the Display Fault/Error Codes table, page 3, for the recommended procedure.

DIAGNOSTIC: Saved Fault Codes

If there are saved fault codes (as indicated in step 3 of Activation of Automatic Diagnostic Test Mode, page 1), the most recent fault code will be displayed and alternately show "F" and "XX" where XX is the fault code, and all the cycle selector indicators flash.

Press and release the same button used to activate Diagnostics	→ Second most recent fault code is displayed.
Repeat	→ Third most recent fault code is displayed.
Repeat	→ Fourth most recent fault code is displayed.
Repeat	All indicators momentarily turn off, then stay on. After 5 seconds, Automatic test cycle begins. NOTE: Fault codes are retained.

ACTIVATION OF MANUAL DIAGNOSTIC TEST MODE

1. Carefully read and perform steps 1 and 2 under Activation of Automatic Diagnostic Test Mode, page 1, and press the same button once during the 5 second display time of the **BB**.

NOTE: If the button is not pressed within 5 seconds, the Automatic test will start (after saved fault codes).

2. If done successfully, a single beep occurs and the two-digit display shows the control ID# for 3 seconds, then displays **DD** and the Add A Garment indicator LED flashes. See Diagnostic: Manual, below.

DIAGNOSTIC: Manual

Assumes Manual Diagnostic mode has been entered, two-digit display shows **DD**, and ADD A GARMENT indicator LED is flashing.

NOTE: If there is no activity (button press, cycle select) within 5 minutes, the control automatically exits Diagnostic mode and enters standby mode.

Manual: Water Valves (See ACTIVATION, above)

To check FRESH valve select or press the following:

WHITES → START (turns on Fresh valve, cycle indicator flashes) → WASH/RINSE TEMP (enables fill of Hot, Warm, Cool or Cold, or no water according to WASH/RINSE TEMP selection and indicator) → START (turns off Fresh valve, cycle indicator is steady on).

To check DETERGENT valve select or press the following:

SUPER WASH → START (turns on Detergent valve, cycle indicator flashes) → WASH/RINSE TEMP (enables fill of Hot, Warm, Cool or Cold, or no water according to WASH/RINSE TEMP selection and indicator) → START (turns off Detergent valve, cycle indicator is steady on).

To check FABRIC SOFTENER valve select or press the following:

NORMAL → START (turns on Fabric Softener valve, cycle indicator flashes) → WASH/RINSE TEMP (enables fill of Hot, Warm, Cool or Cold, or no water according to WASH/RINSE TEMP selection and indicator) → START (turns off Fabric Softener valve, cycle indicator is steady on).

To check BLEACH valve select or press the following:

WRINKLE CONTROL → START (turns on Bleach valve with cold water, cycle indicator flashes) → START (turns off Bleach valve, cycle indicator is steady on).

NOTE: Washer can only fill cold through Bleach valve.

- If any valve fails to turn on go to TEST #2, page 4.

Manual: Pumps (See ACTIVATION, at left)

Select CLEAN WASHER or SPIN ONLY.

Press and release: START	→ Turns on recirculation pump, cycle indicator is steady on.
Repeat	→ Turns off recirculation pump, indicator is steady on.
Repeat	→ Turns on drain pump, indicator flashes.
Repeat	→ Turns off drain pump, indicator is steady on.

- If pumps fail to turn on, go to TEST #7, page 6.

Manual: Door Lid Switch (See ACTIVATION, at left)

Opening the door should cause the Clean status indicator to turn off. Closing the door should cause the indicator to turn on.

- If Clean indicator does not turn off or on, go to TEST #8, page 6.

Manual: Door Lid Lock (See ACTIVATION, at left)

NOTE: Door must be closed. If door is not closed, an invalid button press beep will occur when performing next step.

Press and release: EXTRA RINSE	→ Door locks, Lid Lock indicator turns on.
Repeat	→ Door unlocks, Lid Lock indicator turns off.

- If door does not lock or unlock, go to TEST #8, page 6.

Manual: Motor (See ACTIVATION, at left)

Rotor Position Sensor (RPS): Uses Wash, Rinse and Spin indicators to detect the three hall sensors. Console may have up to two of these indicators on at one time when the basket is not moving. Open door and rotate basket by hand. The Wash, Rinse and Spin status indicators should toggle on and off according to direction the basket is being turned.

- If none of these indicators are on go to TEST #3, page 4.

Spin: To activate Spin, door must be closed with door lock enabled. See Manual: Door Lid Lock.

NOTE: If door is not closed, an invalid button press beep will occur when performing next step.

Press and release: SPIN SPEED or LOAD SIZE	→ Motor/basket spins at 23 rpm.
Repeat	→ Motor/basket spins at 530 rpm.
Repeat	→ Motor/basket spins at 1000 rpm.
Repeat	→ Motor turns off.

NOTE: Indicators above button scroll from top to bottom.

- If motor fails to spin, go to TEST #3, page 4.

Agitate: Water must cover the wash plate (or agitator vanes) to ensure the basket is floating prior to agitation. Enabling agitation without enough water may cause a fault condition to occur. See Manual: Water Valves, at left.

Press and release: SOIL LEVEL	→ Gentle wash action.
Repeat	→ Normal wash action.
Repeat	→ Heavy wash action.
Repeat	→ Motor turns off.

NOTE: Indicators above button scroll from top to bottom.

- If motor fails to agitate, go to TEST #3, page 4.

ACTIVATION OF CONSOLE AND INDICATORS DIAGNOSTIC TEST MODE

This test checks the cycle selector knob, indicators, buttons, two-digit display and beeper.

1. Plug in washer or reconnect power.
2. Read through step 3 before continuing. From Standby (Off) Mode press and release (key-dance) the following buttons within 4 seconds:

SOIL LEVEL → WASH/RINSE TEMP → SOIL LEVEL → WASH/RINSE TEMP

If successful, two-digit **dt** will display and you will have 5 seconds to complete next step.

3. Within 5 seconds of **dt** showing in display, press START (all indicators in display are illuminated and **BB** is displayed).

→ Press START a second time. This turns off status indicators and two-digit display (all other indicators remain illuminated).

→ Press START a third time. This turns on status indicators and two-digit display (all indicators are illuminated).

4. Rotate WASH CYCLE selector back and forth. Indicators will toggle on (or off).
5. Press buttons to verify function. Indicators will toggle on (or off) and beep tone will sound when buttons are pressed.

NOTE: Pressing SOIL LEVEL, SPIN SPEED or LOAD SIZE, and WASH/RINSE TEMP will cause all indicators above these buttons to toggle on (or off) at one time.

If any of the following occur during steps above, see TEST #4, page 5:

- ✓ None of the indicators light up
- ✓ No beep sound is heard
- ✓ Some buttons do not light indicators

DEACTIVATION OF DIAGNOSTIC TEST MODE

Press the PAUSE/CANCEL or POWER button at any time to exit Automatic, Manual, or Console & Indicators diagnostic test modes.

DISPLAY FAULT/ERROR CODES

Display (Saved Code)	EXPLANATION AND RECOMMENDED PROCEDURE
LF (F) (30)	Long Fill LF flashes when the water level does not change for a period of time OR water is present but control does not detect the water level changing. <ul style="list-style-type: none"> → Is water supply connected and turned on? → Are hose screens plugged? → Is water siphoning out of the drain hose? Check for proper drain hose installation. → Is the pressure hose connection from the tub to the machine/motor control pinched or plugged? → See TEST #2, page 4.
Ld (F) (32)	Long Drain Ld flashes when the water level does not change after the drain pump is on. <ul style="list-style-type: none"> → Is the drain hose or the drain pump clogged? → Is the drain hose height greater than 96"? → Is the pressure hose connection from the tub to the machine/motor control pinched or plugged? → Is the pump running? If not, see TEST #7, page 6.
uL (none)	Unbalanced Load uL is displayed when the machine/motor control detects an off-balance load, and is steady on while the washer runs a mini-cycle to rebalance the load. <ul style="list-style-type: none"> → Display clears if mini-cycle successfully rebalanced the load. → If the mini-cycle is unsuccessful, uL will flash until the door lid is opened, allowing the customer to view and redistribute the load.
oL (F) (70)	Overloaded oL flashes when the machine/motor control detects a load size that exceeds the washer's capacity OR basket can not disengage. This may signify: <ul style="list-style-type: none"> → Load size exceeds washer capacity. Remove excess laundry, then restart cycle. → Mechanical friction on drive mechanism, not allowing the basket to disengage.
Sd (F) (71)	Suds Detection Sd is displayed when the machine/motor control, by analyzing drag on the basket, detects a suds-lock condition, and is steady on while the control then runs a mini-clean out cycle. If the clean out cycle is unable to correct the over-sudsing problem, the cycle ends and Sd flashes in the display. This may signify: <ul style="list-style-type: none"> → Load is bunched or twisted around agitator. → Excessive detergent usage. → Basket cannot engage during drain step. → Mechanical friction on drive mechanism, not allowing basket to engage.

Display (Saved Code)	EXPLANATION AND RECOMMENDED PROCEDURE
lid (F) (81)	Open/Close Door Lid lid flashes when the following conditions occur: <ul style="list-style-type: none"> → User presses START with lid open. → User presses START after 2 consecutive machine cycles without opening lid. → The machine/motor control cannot detect the lid switch opening and closing properly. → See TEST #8, page 6.
Po (none)	Pump Out (lid opened) Po flashes when drain pump begins pumping out water from tub upon activation by the door lid having been left open for more than 10 minutes. <ul style="list-style-type: none"> → Close door lid to stop drain pump.
HC (none)	Hot, Cold Reversed HC flashes when the hot and cold inlet hoses are reversed. <ul style="list-style-type: none"> → Make sure inlet hoses are connected correctly. → If hoses are installed properly, Automatic Temperature Control may be stuck in low resistance range. See Test # 5 page 5.
dL (F) (80) (F) (82) (F) (84) (F) (85)	Door Lock Failure dL flashes if the following conditions occur: <ul style="list-style-type: none"> → Door lid is not closed completely due to interference. → Check for lock interference with lid or lock bezel. → Wash media buildup is preventing the lock bolt from extending. → Machine/motor control detects open door lid switch when attempting to lock. → Machine/motor control cannot determine if door lock is in a locked state. → See TEST #8, page 6.
du (F) (83)	Door Unlock Failure du flashes if the following conditions occur: <ul style="list-style-type: none"> → Excessive force on door lid is preventing lock bolt from retracting. → Wash media buildup is preventing lock bolt from retracting. → Machine/motor control cannot determine if door lock is in an unlocked state. → See TEST #8, page 6.
F (F) (88)	Pressure Signal Out-of-Range F then 1 flashes when the control detects an out of range pressure signal. <ul style="list-style-type: none"> → Check pressure hose connection from tub to machine/motor control. Is hose pinched or kinked? → If F then 1 repeats numerous times after POWER is pressed and the pressure hose connection is not pinched or kinked, replace the machine/motor control.
F (F) (2) (F) (2)	Keypad/User Interface Failure F then 2 flashes when in: <ul style="list-style-type: none"> → Diagnostic Test mode if a stuck key is detected. → Standby mode if there is a user interface mismatch. → See TEST #4, page 5.

Display (Saved Code)	EXPLANATION AND RECOMMENDED PROCEDURE
F 40 (F) (40)	ATC Thermistor Open/Short F then 40 flashes when the ATC Thermistor is detected to be open or shorted. <ul style="list-style-type: none"> → See TEST #5, page 5.
F 41 (F) (41)	Motor RPS Thermistor Open/Short F then 41 flashes when the motor rotor position sensor (RPS) thermistor is detected to be open or shorted. <ul style="list-style-type: none"> → See TEST #3, page 4. NOTE: This error code is only displayed when viewing saved fault codes. → See Diagnostic Test, page 1, for accessing saved fault codes.
F 42 (F) (42)	Heater Thermistor Open/Short (Not used) F then 42 flashes when the heater thermistor is open or shorted.
F 50 (F) (50)	Motor Stalled F then 50 flashes when the motor rotor position sensor (RPS) senses no rotation. <ul style="list-style-type: none"> → Does basket turn freely? If not, make sure bottom shipping pack has been removed. Determine cause of friction. → If basket turns freely, see TEST #3, page 4.
F 51 (F) (51)	Motor RPS Failure F then 51 flashes when there is a motor rotor position sensor (RPS) failure or lower harness problem. <ul style="list-style-type: none"> → See TEST #3, page 4.
F 52 (F) (52)	Motor Stop Failure F then 52 flashes when the motor rotor position sensor (RPS) senses rotation after stop command. <ul style="list-style-type: none"> → See TEST #3, page 4.
F 53 (F) (53)	Motor Control Overtemp F then 53 flashes when the machine/motor control detects high temperature for the motor module. <ul style="list-style-type: none"> → Does basket turn freely? If not, determine cause of friction. → If basket turns freely, see TEST #3, page 4.
F 54 (F) (54)	Motor Control Overcurrent F then 54 flashes when the machine/motor control detects high current for the motor module. <ul style="list-style-type: none"> → Does basket turn freely? If not, determine cause of friction. → If basket turns freely, see TEST #3, page 4.
F 72 (F) (72)	Basket Re-engagement Failure F then 72 flashes when the basket check routine fails to determine if the basket is re-engaged after being disengaged. <ul style="list-style-type: none"> → Is the basket floating? if yes, pump out water. See Long Drain on page 3. → Does basket turn freely? If not, determine cause of friction.

TROUBLESHOOTING GUIDE

PROBLEM	POSSIBLE CAUSE/TEST
WON'T POWER UP (No response when buttons are pressed.)	<p>NOTE: Possible Cause/Test <u>must</u> be performed in the sequence shown for each problem.</p> <ol style="list-style-type: none"> Supply connections. See TEST #1, at right. Unplug washer or disconnect power. Check harness connections. User interface assembly. See TEST #4, page 5.
WON'T START CYCLE (No response when Start button is pressed.)	<ol style="list-style-type: none"> Supply connections. See TEST #1, at right. Unplug washer or disconnect power. Check harness connections. User interface assembly. See TEST #4, page 5.
WON'T SHUT OFF WHEN EXPECTED	<ol style="list-style-type: none"> User interface assembly. See TEST #4, page 5. Lid switch. See TEST #8, page 6.
CONTROL WON'T ACCEPT SELECTIONS	User interface assembly. See TEST #4, page 5.
WON'T DISPENSE	<ol style="list-style-type: none"> Check water connections to machine. Check for plugged screen in water source. Log valve. See TEST #2, at right.
WON'T FILL	<ol style="list-style-type: none"> Check water connections to machine. Check for plugged screen in water source. Log valve. See TEST #2, at right. Unplug washer or disconnect power. Check harness connections.
OVER FILLS	<ol style="list-style-type: none"> Unplug washer or disconnect power. Check pressure hose connections. Check to see if the pressure hose has a hole, is pinched or plugged. Water level and calibration. See TEST #6, page 6.
WON'T AGITATE	<ol style="list-style-type: none"> Make sure basket is floating. Unplug washer or disconnect power. Check harness connections. Lid switch. See TEST #8, page 6. Motor. See TEST #3, at right.
WON'T SPIN	<ol style="list-style-type: none"> Lid switch. See TEST #8, page 6. Unplug washer or disconnect power. Check harness connections. Motor. See TEST #3, at right.
WON'T DRAIN	<ol style="list-style-type: none"> Check drain hose installation. Check for plugged drain hose. Drain pump. See TEST #7, page 6.
INCORRECT WATER TEMPERATURE	<ol style="list-style-type: none"> Check for swapped water connections to machine. ATC (Automatic Temperature Control). See TEST #5, page 5.

PROBLEM	POSSIBLE CAUSE/TEST
ALL HOT FILLS	<p>NOTE: Possible Cause/Test <u>must</u> be performed in the sequence shown for each problem.</p> <ol style="list-style-type: none"> ATC thermistor stuck in high resistance range. ATC (Automatic Temperature Control). See TEST #5, page 5.
WON'T RECIRCULATE WATER	<ol style="list-style-type: none"> Unplug washer or disconnect power. Check for plugged recirculation hose. Check for leaks in recirculation system. Recirculation pump. See TEST #7, page 6.
DISPLAY IS FLASHING	See Display Fault/Error Codes, page 3.

TROUBLESHOOTING TESTS

TEST #1 Supply connections

This test assumes that proper voltage is present at the outlet.

- Unplug washer or disconnect power.
- Access the machine/motor control assembly. See Accessing & Removing the Electronic Assemblies, page 6.
- With an ohmmeter, check for continuity between the neutral (N) terminal of the plug and P13-1 on the machine/motor control. See figures 3 and 4, page 16.
 - If there is continuity, go to step 4.
 - If there is no continuity, replace the power cord.
- In a similar way, check the continuity between the L1 terminal of the plug and P13-3 on the machine/motor control. See figures 3 and 4, page 16.
 - If there is continuity, go to step 5.
 - If there is no continuity, replace the power cord.
- Visually check that the P10 connector is inserted all the way into the machine/motor control.
- Visually check that the user interface assembly is properly inserted into the front console.
- If both visual checks pass, replace the user interface assembly. See Reinstalling the Electronic Assemblies, page 6.
- Plug in washer or reconnect power.
- Activate the Console and Indicators Diagnostic Test mode, page 2 to verify repair.
- If indicators still do not light, the machine/motor control has failed:
 - Unplug washer or disconnect power.
 - Replace the machine/motor control assembly.
 - Plug in washer or reconnect power.

TEST #2 Log Valve

This test checks the electrical connections to the valves, and the valves themselves.

- Check the relays and electrical connections to the valves by performing the steps under Diagnostic: Manual, then Manual: Water Valves, page 2. Each step in the test activates a group of valves. The following steps assumes one (or more) valve(s) failed to turn on.
- For the valve(s) in question check the individual solenoid valves:

- Unplug washer or disconnect power.
 - Disconnect connector P1 and P2 from the machine/motor control. See figure 4, page 16.
 - Check harness connection to solenoid valves.
- Check resistance of valve coils at contacts P1 and P2 shown in the wiring diagram on page 15. Resistance values should match those shown.
 - If resistance readings are tens of ohms outside of range, replace the entire log valve assembly.
 - If resistance readings are within range, replace the machine/motor control assembly.
 - Reconnect connectors P1 and P2 to the machine/motor control.

TEST #3 Motor Circuit

This test checks the wiring to the motor and rotor position sensor; and the motor and rotor position sensor themselves.

NOTE: Drain water from tub.

- See Activation of Manual Diagnostic Test Mode, page 3 and check the motor and electrical connections by performing the Spin test under Manual: Motor, page 2. The following steps assumes that this step failed.
- Unplug washer or disconnect power.
- Check to see if basket will turn freely.
 - If basket turns freely, go to step 4.
 - If basket does not turn freely, determine what is causing the mechanical friction or lock up.
- Remove the console to access the machine/motor control assembly. See Accessing & Removing the Electronic Assemblies, page 6.
- Visually check that the P5 and P10 connectors are inserted all the way into the machine/motor control.
 - If visual checks pass, go to step 6.
 - If visual checks fail, reconnect P5 and P10 and repeat step 1.
- Visually check that the P5 and P10 connectors are inserted all the way into the machine/motor control.
 - With an ohmmeter, verify resistance values as shown below:

Check between connector pins	Resistance values should be:	Go to step 7 if values are:	Go to step 12 if:	
P5	1-2 1-3	31 Ω ± 5 Ω	Much higher than 31 Ω	Resistances at all connectors are correct
P10	6-5 6-4	1.5 kΩ ± 100 Ω	Much higher or much lower than 1.5 kΩ	
	6-3	600 Ω to 21.2 kΩ	Out of range	
	1-7			

- Tilt machine forward to access the bottom of the machine and the drive motor area. See figure 1, page 5. Remove the motor bolt, then the motor cover to access the motor connections. See figure 2, page 5.
- Visually check the mounting bracket and electrical connections to the motor and rotor position sensor board.
 - If visual check passes, go to step 9, page 5.
 - If visual check fails, reconnect the electrical connections, reassemble stator and motor cover and repeat step 1.

9. With an ohmmeter, check for continuity between all pins on the P10 machine motor control connector and the motor rotor position sensor (RPS) connector. See figure 2 at right and figure 4, page 16.
 - If there is continuity, check the motor windings. If the motor windings are open, replace the drive motor.
 - If there is no continuity, replace the lower machine harness.
10. With an ohmmeter, check for continuity between all pins on the P5 machine/motor control connector and the drive motor connector.
 - If there is continuity, replace the drive motor.
 - If there is no continuity, replace the lower machine harness.
11. The drive motor and lower harness are good. Replace the motor RPS board and perform the Diagnostics test in step 1 to verify repair.
12. If the Diagnostics motor test in step 1 failed, then the machine/motor control has failed:
 - Unplug the washer or disconnect power.
 - Replace the machine/motor control assembly.
 - Perform the Motor Diagnostics in step 1 to verify repair.

TEST #4 Console and Indicators

This test is performed when any of the following situations occurs during the Console and Indicators Diagnostic Test, page 2:

- ✓ None of the indicators light up
- ✓ No beep sound is heard
- ✓ Some buttons do not light indicators

None of the indicators light up:

1. Perform steps in Accessing & Removing the Electronic Assemblies, page 6 and visually check that the P11 connector is inserted all the way into the machine/motor control.
2. Visually check that the user interface assembly is properly inserted in the console assembly.
3. If both visual checks pass, replace the user interface assembly.
4. Plug in washer or reconnect power.
5. Activate the Console and Indicators Diagnostic Test mode, page 2 to verify repair.
6. If indicators still do not light, the machine/motor control has failed:
 - Unplug washer or disconnect power.
 - Replace the machine/motor control assembly.
 - Plug in washer or reconnect power.
 - Activate the Console and Indicators Diagnostic Test mode, page 2 to verify repair.

No beep sound is heard:

1. Perform steps in Accessing & Removing the Electronic Assemblies, page 6 and visually check that the P5 connector is inserted all the way into the machine/motor control.
 - If visual check passes, replace the user interface assembly.
2. Plug in washer or reconnect power.

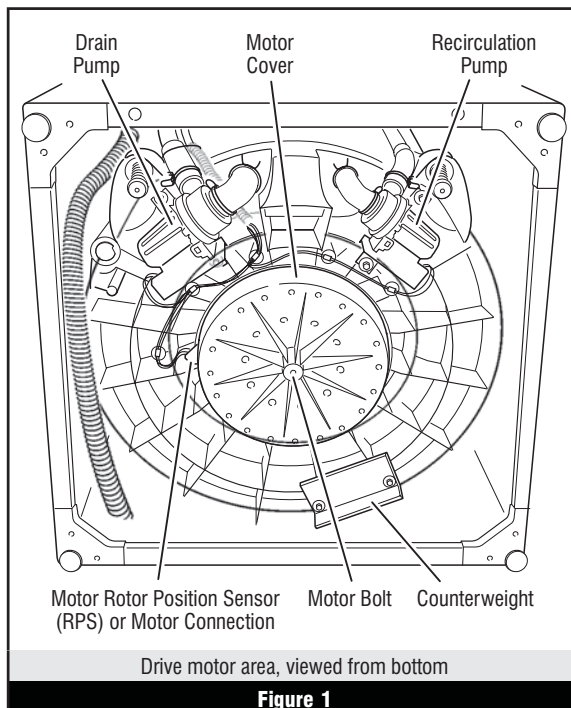


Figure 1

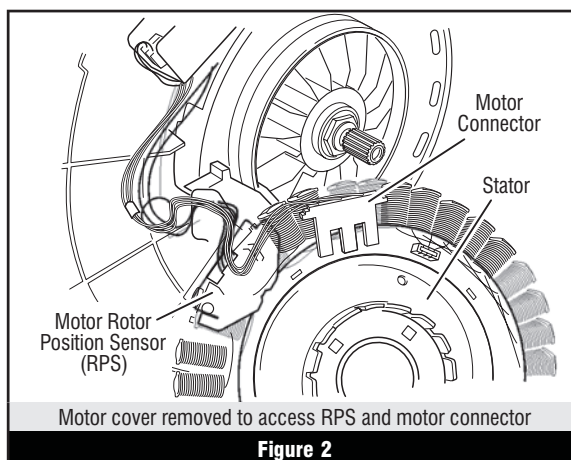


Figure 2

3. Activate the Console and Indicators Diagnostic Test mode, page 2 to verify repair.
4. If replacing the user interface assembly failed:
 - Unplug washer or disconnect power.
 - Replace the machine/motor control assembly.
 - Plug in washer or reconnect power.
 - Activate the Console and Indicators Diagnostic Test mode, page 2 to verify repair.

Some buttons do not light indicators:

1. Perform steps in Accessing & Removing the Electronic Assemblies, page 6 and visually check that the console electronics and housing assembly is properly inserted into the front console.
 - If visual check passes, replace the user interface assembly.
2. Plug in washer or reconnect power.
3. Activate the Console and Indicators Diagnostic Test mode, page 2 to verify repair.

TEST #5 Automatic Temperature Control

This test checks the water inlet valves, the temperature sensor, and the machine/motor control.

1. Check the valves by performing Test #2, page 4 before continuing to the next step.
2. Ensure proper hose connections and that household's hot water is present.
3. Plug in washer or reconnect power.
4. Remove all clothes from the machine.
5. Select POWER → wash cycle NORMAL → Wash/Rinse Temp. WARM/COLD → START.
6. After the tub fills and starts to wash, stop the machine.
7. Measure the water temperature, and verify it is $85^{\circ} \pm 5^{\circ} \text{F}$ ($29^{\circ} \pm 3^{\circ} \text{C}$).
 - If the water temperature is correct, ATC is functional.
 - If the water temperature is incorrect, then go to step 8.
8. Unplug washer or disconnect power.
9. Access the machine/motor control assembly. See Accessing & Removing the Electronic Assemblies, page 6.
10. Remove the P9 connector, and using an ohmmeter, measure the resistance between pins P9-1, and P9-3. Verify that the resistance is within range as shown in the following table:

THERMISTOR RESISTANCE	
Temperature	Resistance (Ω)
40°F (4.4°C)	26–27.5 k Ω
50°F (10°C)	19–20.5 k Ω
60°F (16°C)	15–15.7 k Ω
70°F (21°C)	11.7–12.2 k Ω
80°F (27°C)	9.1–9.5 k Ω
90°F (32°C)	7.2–7.6 k Ω
100°F (38°C)	5.6–5.9 k Ω
110°F (44°C)	4.6–4.9 k Ω
120°F (49°C)	3.6–3.8 k Ω
130°F (55°C)	2.9–3.1 k Ω
140°F (60°C)	2.4–2.6 k Ω

- If the resistance is not within this range, go to step 11.
 - If the resistance is within this range, go to step 12.
11. Using an ohmmeter, measure continuity between all pins on the P9 connector and the thermistor contacts.
 - If there is continuity, replace the log valve assembly.
 - If there is no continuity, replace the upper harness.
 12. The log valve and upper harness are good. Replace the machine/motor control assembly. See Reinstalling the Electronic Assemblies, page 6.

TEST #6 Water Level and Pressure Transducer Calibration

This test checks the water level sensing components, and calibrates the pressure sensor.

1. Unplug washer or disconnect power.
2. Access the machine/motor control assembly. See Accessing & Removing the Electronic Assemblies, at right.
3. Check hose connection between the pressure transducer on the machine/motor control and the pressure dome attached to the tub. Check to ensure hose is routed correctly in the lower cabinet and not pinched or crimped by the back panel.
4. Plug in washer or reconnect power.
5. Drain the tub until all water has been removed from tub.
6. Remove all clothes from the machine.
7. Calibrate the pressure transducer:
 - See Activation of Manual Diagnostic Test Mode, page 2, and perform steps 1 and 2 until the display shows $\overline{00}$ and the Add A Garment indicator LED is flashing.
 - Press and hold the Cycle Signal button until a single beep sounds, and the display shows $\overline{P\bar{L}}$ to indicate zero calibration has completed.
 - Exit Diagnostic: Manual by pressing PAUSE/CANCEL or POWER.
8. Select POWER → wash cycle NORMAL → START.
9. Verify that the tub fills to the top of the impeller plate (impeller models) or to a level above the agitator vanes (agitator models), but much lower than the SUPER Load Size water level.

TEST #7 Drain/Recirculation

Perform the following checks if washer fails to drain or recirculate.

1. See Activation of Manual Diagnostic Test Mode, page 2 and perform the Manual: Pumps test on page 2.
2. Remove the console to access the machine/motor control assembly. See Accessing & Removing the Electronic Assemblies, at right.
3. Visually check that the P4 connector is inserted all the way into the machine/motor control.
 - If visual check passes, go to step 4.
 - If visual check fails, reconnect P4 and repeat step 1.
4. Remove connector P4 from the machine/motor control and check resistance values of pump motor windings. Resistance values should match those shown in wiring diagram, page 15.
 - If resistance values are good, go to step 7.
 - If winding measurements are much higher (tens of ohms to infinity) than shown in wiring diagram, a problem exists in the motor winding or in the connection between the machine/motor control and the motor. Go to step 5.
5. Tilt machine forward to access the bottom of the machine and the pumps. See figure 1, page 5.
6. Check the resistance at the pump motor. Remove the connector at the motor and take measurements across pump terminals. Measurements should be as shown in the wiring diagram.
 - If winding measurements are much higher (tens of ohms to infinity) than shown in wiring diagram, replace the pump motor.

- If the resistance at the pump motor is correct, there is an open circuit in the wiring between the motor and the machine/motor control. Repair or replace the lower wiring harness.
 - If the pump motor windings and machine/motor control check OK, repair or replace the pump. Be sure to check the pump and tub sump for foreign objects before replacing pump.
7. See Activation of Manual Diagnostic Test Mode, page 2 and perform the Manual: Pumps test on page 2.
 8. If the Manual: Pumps test failed, then the machine/motor control has failed:
 - Unplug the washer or disconnect power.
 - Replace the machine/motor control assembly.
 - Perform the Manual: Pump test on page 2.

TEST #8 Door Lid Lock

Perform the following checks if washer fails to lock (or unlock).

1. Perform Manual: Door Lid Switch and Manual: Door Lid Lock tests on page 2.
2. Remove the console to access the machine/motor control assembly. See Accessing & Removing the Electronic Assemblies, page 6.
3. Visually check that the P12 connector is inserted all the way into the machine/motor control.
 - If visual check passes, go to step 4.
 - If visual check fails, reconnect P4 and repeat step 1.
4. Check the lid lock motor winding and switches by removing P12 from the machine/motor control and checking the resistance values shown in the Lid Lock Resistance table below:

LID LOCK RESISTANCE				
Component	Resistance Unlocked	Resistance Locked	Contacts Measured	
Motor Winding	35 Ω ($\pm 5 \Omega$)	35 Ω ($\pm 5 \Omega$)	P12-2	P12-3
Lock Switch - Home	0 Ω	Open Circuit	P12-1	P12-4
Lock Switch - Lock	Open Circuit	0 Ω		P12-7
Lock Switch - Lid	Lid Closed = 0 Ω Lid Open = Open Circuit			P12-5

- If resistance values are good, go to step 5.
 - If switch measurements do not match the values shown in the table for unlocked (or locked) conditioned, a problem exists in the door lid lock. Replace the door lid lock.
5. If the Manual Door Switch or Manual Door Lid Lock in step 1 failed the lock may be stuck or the lock is defective.
 - Unplug washer or disconnect power.
 - Replace Door Lid Lock Assembly.
 - Perform the Manual: Door Switch and Manual: Door Lid Lock in step 1 to verify repair.

ACCESSING & REMOVING THE ELECTRONIC ASSEMBLIES

There are two electronic assemblies; the machine/motor control assembly and the user interface assembly. See figures 3 and 4 on page 16.

Accessing the Electronic Assemblies

1. Unplug washer or disconnect power.
2. Remove three screws from the rear of the console assembly. Pull console towards front of washer to hinge open and/or remove console.

Removing the Machine/Motor Control Assembly

3. Remove all the wire connections to the machine/motor control.
4. Remove the one screw holding the machine/motor control assembly to the console tray.
5. There are two plastic legs on the rear of the machine/motor control assembly that fit into the console tray. Lift the front of the control assembly to pivot it out from the console tray.

Removing the User Interface Assembly

3. Remove the wire connection to the user interface assembly.
4. Remove the wash cycle selector knob by firmly pulling on it.
5. The user interface assembly is held to the console insert panel by three screws and two locking tabs. After the screws are removed, lift each of the locking tabs to remove the back cover of the user interface assembly.
6. Remove the wash cycle selector switch from the user interface assembly opening by lifting the locking tab on the wash cycle selector switch and turning the selector switch in a counterclockwise direction.
7. Three locking tabs located at the bottom of the console insert panel secure the user interface assembly to the console insert panel. Using a flat-blade screwdriver, gently apply pressure to the locking tabs to release the user interface assembly.

Reinstalling the Electronic Assemblies

1. Refer to preceding removal sections and replace in reverse order.

2. Plug in washer or reconnect power.

NOTE: When reconnecting wire connections, route wires as shown in figure 3, page 16. Be sure to route wires beneath the retainer clips on the machine/motor control, and ensure user interface assembly wire does not get pinched between the console assembly and the console tray when reassembling top.

NOTE: Ensure the console gasket is in place when reinstalling the console.

AVERTISSEMENT**Risque de choc électrique**

Déconnecter la source de courant électrique avant l'entretien.

Replacer pièces et panneaux avant de faire la remise en marche.

Le non-respect de ces instructions peut causer un décès ou un choc électrique.

IMPORTANT**Circuits électroniques sensibles aux décharges électrostatiques**

Le risque de décharge électrostatique est permanent. Une décharge électrostatique peut endommager ou affaiblir les composants électroniques. La nouvelle carte peut donner l'impression qu'elle fonctionne correctement après la réparation, mais une décharge électrostatique peut lui avoir fait subir des dommages qui provoqueront une défaillance plus tard.

- Utiliser un bracelet de décharge électrostatique. Connecter le bracelet à la vis verte de liaison à la terre ou sur une surface métallique non peinte de l'appareil - OU - Toucher plusieurs fois du doigt la vis verte de liaison à la terre ou une surface métallique non peinte de l'appareil.
- Avant de retirer la pièce de son sachet, placer le sachet antistatique en contact avec la vis verte de liaison à la terre ou une surface métallique non peinte de l'appareil.
- Éviter de toucher les composants électroniques ou les broches de contact; tenir la carte de circuits électroniques par les bords seulement lors des manipulations.
- Lors du réemballage d'une carte de circuits électroniques défaillante dans le sachet antistatique, appliquer les instructions ci-dessus.

GUIDE DE DIAGNOSTIC

Avant d'entreprendre une réparation, contrôler ce qui suit :

- Vérifier que la prise de courant est alimentée.
 - Fusible grillé ou disjoncteur ouvert? Fusible temporisé grillé?
 - Robinets d'eau chaude et d'eau froide ouverts et tuyaux d'arrivée d'eau exempts d'obstruction?
 - Utiliser pour tous les contrôles/tests un multimètre (VOM) ou un voltmètre numérique (DVM) dont la résistance interne est de 20 000 Ω par volt CC ou plus.
- NOTE** : Éviter d'utiliser des capteurs de grand diamètre lors de la vérification des connexions du câblage car ils pourraient endommager les connecteurs lors de l'insertion.
- Contrôler toutes les connexions avant de remplacer un composant. Rechercher des fils brisés ou mal connectés, ou des bornes ou cosses de connexion détériorées.
 - La corrosion ou la contamination des pièces de connexion est une cause potentielle d'anomalie de fonctionnement des organes de commande. Inspecter les connexions et vérifier la continuité à l'aide d'un ohmmètre.
 - Connecteurs : Examiner le sommet d'un connecteur. Rechercher des conducteurs brisés ou mal connectés. Un conducteur peut être insuffisamment enfoncé pour qu'il puisse avoir un bon contact sur la broche métallique.
 - Lors de toute mesure de résistance, vérifier que la laveuse est débranchée de la prise de courant, ou que la source de courant électrique est déconnectée.

TESTS DE DIAGNOSTIC

Trois modes de test de diagnostic sont disponibles : Automatique, Manuel et Console. Ces tests permettent au personnel de l'usine ou de réparation de contrôler les tensions et signaux sur les circuits et organes de commande de la machine. Il peut être utile d'exécuter le programme de test automatique complet avant d'effectuer des tests de diagnostic spécifiques.

LOGICIEL ASSUJETTI AUX DROITS D'AUTEUR.
FABRIQUÉ SOUS UN OU PLUSIEURS DES BREVETS
CANADIENS SUIVANTS :

1,228,410	1,287,338	1,306,367	2,043,393	D76,618
1,233,039	1,288,966	1,313,770	2,056,969	D92,426
1,233,658	1,298,988	2,018,975	2,086,151	
1,282,557	1,301,469	2,022,266		

ACTIVATION DU MODE TEST DE DIAGNOSTIC AUTOMATIQUE

1. Vérifier que la laveuse est en mode d'attente (appareil branché; tous les témoins éteints, ou avec seulement le témoin Clean/Linge propre allumé).
2. Sélectionner n'importe lequel des boutons (sauf POWER, START et PAUSE/CANCEL) et exécuter la séquence suivante de pressions, toujours sur le même bouton (mémoriser le bouton) :
 - a. Appuyer/maintenir la pression pendant 3 sec.
 - b. Lâcher pendant 3 sec.
 - c. Appuyer/maintenir la pression pendant 3 sec.
 - d. Lâcher pendant 3 sec.
 - e. Appuyer/maintenir la pression pendant 3 sec.
 - Lorsque l'appareil est passé à ce mode de test, tous les témoins de la console s'allument pendant 5 secondes, et l'afficheur à deux caractères du temps restant estimé présente **88**.
 - Si le résultat n'est pas ce qui est décrit ci-dessus, il est possible que la séquence de pressions sur la touche n'ait pas été exécutée conformément à la description (respect de la durée de chaque étape pour que l'opération puisse réussir). Répéter l'étape 2. Si cela ne réussit toujours pas, voir à la page 8 Diagnostic : Echec de l'accès au mode de diagnostic.
3. Le programme recherche alors les codes d'anomalie mémorisés :
 - S'il y a des codes d'anomalie mémorisés, voir Diagnostic : Codes d'anomalie mémorisés, page 8.
 - S'il n'y a aucun code d'anomalie mémorisé, tous les témoins de la console s'éteignent brièvement et s'allument de nouveau, et l'afficheur présente **88**. Après 5 secondes, le processus de test automatique décrit ci-dessous débute.

DIAGNOSTIC : Test automatique

Exécution d'un programme de test automatique de cinq minutes avec fonctions d'admission d'eau, pour le contrôle des principales fonctions de l'appareil (il sera possible d'ouvrir la porte). Pour progresser parmi les étapes du test automatique, appuyer sur le même bouton qu'à l'étape 2 ci-dessus.

NOTE : Pour qu'il y ait agitation, le panier doit flotter. L'étape C1 doit être exécutée complètement avant de passer à l'étape C5.

Indicateur à deux caractères	Fonction de la machine	Méthode recommandée
C0	Essorage lent à 23 tours/min.	S'il n'y a pas d'essorage, consulter la section Manuel : Moteur, Essorage, page 9.
C1	Remplissage Eau tiède par les électrovannes Eau propre et Détergent, puis par l'électrovanne Eau propre jusqu'à flottaison (libération) du panier; puis, l'eau continue de s'introduire par ces deux électrovannes jusqu'au niveau d'eau minimum.	S'il n'y a pas d'introduction d'eau, ou si la température est incorrecte, consulter la section Manuel : Électrovannes d'admission d'eau, page 8. Si le panier ne flotte pas ou se dégage, déterminer la cause de la friction.
C2	Remplissage Eau froide pendant 10 secondes par l'électrovanne Agent de blanchiment.	S'il n'y a pas d'eau dans le réceptacle Agent de blanchiment, consulter la section Manuel : Électrovannes d'admission d'eau, page 8.
C3	Remplissage Eau chaude pendant 10 secondes par l'électrovanne Assouplisseur de tissu. NOTE : Cette étape aura lieu mais il n'y aura pas d'eau distribuée avec les modèles qui ne possèdent pas d'électrovanne Assouplisseur de tissu.	S'il n'y a pas d'eau dans le réceptacle Assouplisseur de tissu, consulter la section Manuel : Électrovannes d'admission d'eau, page 8.
C4	Remplissage Eau tiède pendant 10 secondes par l'électrovanne Détergent.	S'il n'y a pas d'eau dans le réceptacle de détergent, consulter la section Manuel : Électrovannes d'admission d'eau, page 8.

Indicateur à deux caractères	Fonction de la machine	Méthode recommandée
C5	Agitation pendant 15 secondes.	S'il n'y a pas d'action de lavage, consulter la section Manuel : Moteur, Agitation, page 9.
C6	Circulation de l'eau pendant 10 secondes.	S'il n'y a pas de circulation de l'eau, consulter la section Manuel : Pompes, à droite.
C7	Vidange jusqu'à l'engagement du panier, puis vidange minutée pendant 10 secondes.	Si l'eau de la cuve ne se vide pas, consulter la section Manuel : Pompes, à droite. Si le panier ne s'engage pas, déterminer la cause de la friction.
C8	Vidange et essorage lent - 23 tours/min.	Si la pompe de vidange ne fonctionne pas, consulter la section Manuel : Pompes, à droite. Si le panier ne tourne pas, consulter la section Manuel : Moteur, page 9.
C9	Ralentissement jusqu'à 0 tour/min.	Si la rotation du panier ne cesse pas en moins de 5 secondes, appuyer sur PAUSE/CANCEL, et exécuter de nouveau le test.
(aucun) (Fin du test)	Signal sonore de fin de programme.	S'il n'y a pas de signal sonore de fin de programme, vérifier que la fonction Signal sonore est active. À partir du mode de paramétrage, le signal sonore doit être émis lors de pressions sur les touches.

DIAGNOSTIC : Échec de l'accès au mode de diagnostic

En cas d'échec de l'accès au mode de diagnostic (voir à la page 1 les étapes 1 et 2 de Activation du mode test de diagnostic automatique), tenir compte des indications ci-dessous et agir en conséquence :

Indication 1 : Pas d'illumination des témoins ou de l'afficheur.

Action : Appuyer sur le bouton POWER pour accéder au mode de paramétrage.

- Si les témoins s'illuminent, essayer de changer la fonction pour le bouton utilisé pour l'activation du mode de test de diagnostic. Si ce bouton ne peut changer de fonction, il fait l'objet d'une anomalie, et il n'est pas possible d'accéder au mode de diagnostic.

- Si aucun témoin ne s'illumine après la pression sur le bouton POWER, passer à TEST n° 1, page 11.

Indication 2 : Clignotement du code d'anomalie sur l'afficheur.

Action : Consulter à la page 9 le tableau des codes erreur, pour trouver la procédure recommandée.

DIAGNOSTIC : Codes d'anomalie mémorisés

S'il y a des codes d'anomalie mémorisés (indication à l'étape 3 de Activation du mode de test de diagnostic

automatique, page 7), le code d'anomalie le plus récent sera affiché, (avec affichage en alternance de "F" et "XX" où XX représente le code d'anomalie), tandis qu'on observe le clignotement de tous les témoins de sélection de programme.

Appuyer brièvement sur le même bouton utilisé pour l'activation du mode de diagnostic

→ Affichage de l'avant-dernier code d'anomalie.

Répéter → Affichage du précédent code d'anomalie.

Répéter → Affichage du précédent code d'anomalie.

Tous les témoins s'éteignent momentanément, puis restent allumés. Après 5 secondes, le programme de test automatique débute.

NOTE : Les codes d'anomalie ne sont pas effacés.

ACTIVATION DU MODE TEST DE DIAGNOSTIC MANUEL

1. Lire attentivement et exécuter les étapes 1 et 2 de Activation du mode de test de diagnostic automatique, page 7, et appuyer une fois sur le même bouton pendant l'intervalle (5 secondes) d'affichage de **88**.

NOTE : Si on n'appuie pas sur le bouton au cours de la période de 5 secondes, le processus de test automatique débute (après l'affichage des codes d'anomalie mémorisés).

2. Si le processus est exécuté avec succès, l'appareil émet un unique signal sonore et l'afficheur (deux caractères) présente le code d'identification pendant 3 secondes, puis **DD** et la DEL témoin ADD A GARMENT (addition d'un article) clignote. Voir Diagnostic : Manuel ci-dessous.

DIAGNOSTIC : Manuel

S'il a été possible d'accéder au mode de diagnostic manuel, l'afficheur à deux caractères présente **DD**, et la DEL témoin ADD A GARMENT clignote.

NOTE : S'il n'y a aucune activité (pression sur un bouton, sélection de programme) durant une période de 5 minutes, le module de commande quitte automatiquement le mode de diagnostic et passe au mode d'attente.

Manuel : Électrovannes d'admission d'eau (Voir ACTIVATION, ci-dessus)

Pour contrôler l'électrovanne d'admission D'EAU PROPRE, sélectionner ou appuyer sur les touches, comme suit :

WHITES → START (activation de l'électrovanne Eau propre, clignotement du témoin de programme) → WASH/RINSE TEMP (activation pour remplissage - eau chaude, tiède, fraîche ou froide, ou pas d'admission d'eau, selon la température lavage/rinçage sélectionnée, et le témoin) → START (désactivation de l'électrovanne Eau propre; le témoin de programme reste illuminé).

Pour contrôler l'électrovanne DÉTERGENT, sélectionner ou appuyer sur les touches, comme suit :

SUPER WASH → START (activation de l'électrovanne Détergent, clignotement du témoin de programme) → WASH/RINSE TEMP (activation pour remplissage -

eau chaude, tiède, fraîche ou froide, ou pas d'admission d'eau, selon la température lavage/rinçage sélectionnée, et le témoin) → START (désactivation de l'électrovanne Détergent; le témoin de programme reste illuminé).

Pour contrôler l'électrovanne ASSOUPPLISSEUR DE TISSU, sélectionner ou appuyer sur les touches, comme suit :

NORMAL → START (activation de l'électrovanne Assouplisseur de tissu, clignotement du témoin de programme) → WASH/RINSE TEMP (activation pour remplissage - eau chaude, tiède, fraîche ou froide, ou pas d'admission d'eau, selon la température lavage/rinçage sélectionnée, et le témoin) → START (désactivation de l'électrovanne Assouplisseur de tissu; le témoin de programme reste illuminé).

Pour contrôler l'électrovanne AGENT DE BLANCHIMENT, sélectionner ou appuyer sur les touches, comme suit :

WRINKLE CONTROL → START (activation de l'électrovanne Agent de blanchiment avec eau froide, clignotement du témoin de programme) → START (désactivation de l'électrovanne Agent de blanchiment; le témoin de programme reste illuminé).

NOTE : L'introduction d'eau froide ne peut avoir lieu que par l'électrovanne Agent de blanchiment.

- Si l'une des électrovannes ne fonctionne pas, passer à TEST n° 2, page 11.

Manuel : Pompes (Voir ACTIVATION, à gauche)

Sélectionner CLEAN WASHER ou SPIN ONLY.

Appuyer brièvement sur la touche : START → Mise en marche de la pompe de circulation; le témoin reste illuminé.

Répéter → Arrêt de la pompe de circulation; le témoin reste illuminé.

Répéter → Mise en marche de la pompe de vidange; le témoin clignote.

Répéter → Arrêt de la pompe de vidange; le témoin reste illuminé.

- Si les pompes ne fonctionnent pas, passer à TEST n° 7, page 13.

Manuel : Contacteur de la porte (Voir ACTIVATION, à gauche)

L'ouverture de la porte doit provoquer l'extinction du témoin de statut Clean. La fermeture de la porte doit provoquer l'illumination du témoin.

- En cas d'échec pour extinction/allumage du témoin Clean, passer à TEST n° 8, page 14.

Manuel : Verrouillage de la porte (Voir ACTIVATION, à gauche)

NOTE : Il faut que la porte soit fermée. Si la porte n'est pas fermée, un signal sonore (pression sur touche invalide) sera émis lors de l'exécution de l'étape suivante.

Appuyer brièvement sur la touche : EXTRA RINSE → Verrouillage de la porte; illumination du témoin de verrouillage du couvercle.

Répéter → Déverrouillage de la porte; extinction du témoin de verrouillage du couvercle.

- En cas d'échec pour verrouillage/déverrouillage de la porte, passer à TEST n° 8, page 14.

Manuel : Moteur (Voir ACTIVATION, page 8)

Capteur de position du rotor (RPS) : Utilisation des témoins Wash, Rinse et Spin pour la détection des trois capteurs à effet Hall. Lorsque le panier n'est pas en mouvement, la console peut avoir un ou deux témoins illuminé(s). Ouvrir la porte et faire tourner manuellement le panier. On doit observer une permutation illumination/extinction des témoins Wash, Rinse et Spin selon la direction de rotation du panier.

- Si aucun de ces témoins n'est illuminé, passer à TEST n° 3, page 12.

Essorage : La machine ne peut passer au mode d'essorage que si la porte est fermée et verrouillée. Voir Manuel : Verrouillage de la porte.

NOTE : Si la porte n'est pas fermée, un signal sonore (pression sur touche invalide) sera émis lors de l'exécution de l'étape suivante.

Appuyer brièvement sur la touche : SPIN SPEED ou LOAD SIZE	→	Rotation du panier à 23 tours/min.
--	---	------------------------------------

Répéter	→	Rotation du panier à 530 tours/min.
---------	---	-------------------------------------

Répéter	→	Rotation du panier à 1000 tours/min.
---------	---	--------------------------------------

Répéter	→	Arrêt du moteur.
---------	---	------------------

NOTE : Changement des témoins illuminés au-dessus du bouton, depuis le sommet vers le bas.

- En cas de non-fonctionnement du moteur, passer à TEST n° 3, page 12.

Agitation : Pour que le panier flotte avant l'agitation, il faut que l'eau atteigne le niveau de l'agitateur plat (ou les pales de l'agitateur classique). Une période d'agitation en l'absence d'une quantité d'eau suffisante peut déclencher une situation d'anomalie. Voir Manuel : Électrovannes d'admission d'eau, page 8.

Appuyer brièvement sur la touche : SOIL LEVEL	→	Action de lavage douce.
---	---	-------------------------

Répéter	→	Action de lavage normale.
---------	---	---------------------------

Répéter	→	Action de lavage intensive.
---------	---	-----------------------------

Répéter	→	Arrêt du moteur.
---------	---	------------------

NOTE : Changement des témoins illuminés au-dessus du bouton, depuis le sommet vers le bas.

- Si le moteur ne fonctionne pas pour l'agitation, passer à TEST n° 3, page 12.

ACTIVATION DU MODE TEST DE DIAGNOSTIC POUR CONSOLE ET TÉMOINS

Durant ce test, le programme contrôle le fonctionnement de : bouton de sélection de programme, témoins, boutons, afficheur à deux caractères et émission de signal sonore.

- Brancher la laveuse ou reconnecter la source de courant électrique.
- Lire jusqu'à l'étape 3 avant de poursuivre. À partir du mode d'attente (arrêt), appuyer brièvement sur les touches pour exécuter la séquence suivante en moins de 4 secondes :

SOIL LEVEL	→	WASH/RINSE TEMP	→	SOIL LEVEL	→	WASH/RINSE TEMP
------------	---	-----------------	---	------------	---	-----------------

Si l'opération est réussie, l'afficheur à deux caractères présente **dE**, et on dispose d'une période de 5 secondes pour exécuter l'étape suivante.

- En moins de 5 secondes après l'apparition de **dE** sur l'afficheur, appuyer sur la touche START/mise en marche (tous les témoins de l'afficheur sont illuminés, et l'afficheur présente **88**).

- Appuyer une seconde fois sur START. Ceci met fin à l'illumination des témoins de statut et de l'afficheur à deux caractères (tous les autres témoins demeurent illuminés).

- Appuyer sur START une troisième fois. Ceci provoque l'illumination des témoins de statut et de l'afficheur à deux caractères (tous les autres témoins sont illuminés).

- Faire tourner le sélecteur WASH CYCLE (programme de lavage) dans les deux directions. On doit observer la permutation illumination/extinction des témoins.

- Appuyer sur les boutons pour vérifier leur fonctionnement, la permutation illumination/extinction des témoins et l'émission d'un signal sonore lors des pressions sur les touches.

NOTE : Lors d'une pression sur SOIL LEVEL, SPIN SPEED ou LOAD SIZE et WASH/RINSE TEMP, on doit observer la permutation simultanée illumination/extinction de tous les témoins au-dessus de ces boutons.

Si l'un des événements suivants se produit durant les étapes décrites ci-dessus, passer à TEST n° 4, page 12 :

- ✓ Aucun des témoins ne s'illumine
- ✓ Pas d'émission du signal sonore
- ✓ Pas d'illumination des témoins pour certains boutons

DÉSACTIVATION DU MODE TEST DE DIAGNOSTIC

On peut appuyer à tout moment sur le bouton PAUSE/CANCEL ou POWER pour quitter le mode de test de diagnostic (automatique, manuel, ou pour console et témoins).

AFFICHAGE DES CODES D'ANOMALIE/ERREUR

AFFICHAGE (Code mémorisé)	DESCRIPTION ET MÉTHODE DE RÉPARATION RECOMMANDÉE
LF (F) (30)	<p>Remplissage long</p> <p>Clignotement de LF lorsque le niveau d'eau ne change pas pendant une période prolongée OU l'eau est présente mais le module de commande ne détecte pas de changement du niveau de l'eau.</p> <ul style="list-style-type: none"> → Tuyau d'arrivée d'eau connecté et robinets ouverts? → Tamis des tuyaux obstrués? → Évacuation de l'eau pas siphonnage via le tuyau de vidange? Vérifier que le tuyau d'évacuation est correctement installé. → Tuyau de raccordement entre la cuve et le module de commande machine-moteur coincé (écrasement) ou obstrué? → Voir TEST n° 2, page 11.

AFFICHAGE (Code mémorisé)	DESCRIPTION ET MÉTHODE DE RÉPARATION RECOMMANDÉE
Ld (F) (32)	<p>Vidange longue</p> <p>Clignotement de Ld lorsque le niveau d'eau ne s'abaisse pas après la mise en marche de la pompe de vidange.</p> <ul style="list-style-type: none"> → Tuyau de vidange ou pompe de vidange obstrué(e)? → Hauteur du tuyau de vidange supérieure à 96"? → Le connexion du tuyau de pression de la cuve à la commande machine/moteur est-elle coincée ou obstruée? → Fonctionnement de la pompe? Sinon, voir TEST n° 7, page 13.
uL (aucun)	<p>Charge de linge non équilibrée</p> <p>Affichage de uL lorsque le module de commande machine/moteur détecte un déséquilibre de la charge; affichage fixe pendant que la laveuse exécute un mini-programme pour rééquilibrer la charge.</p> <ul style="list-style-type: none"> → Suppression de l'affichage en cas de succès de l'opération de rééquilibrage de la charge. → En cas d'échec de l'opération de rééquilibrage, clignotement de uL jusqu'à l'ouverture du couvercle pour un rééquilibrage manuel de la charge de linge par l'utilisateur.
oL (F) (70)	<p>Chargement excessif</p> <p>Clignotement de oL lorsque le module de commande machine/moteur détecte une charge de linge supérieure à la capacité de la laveuse, OU si le panier ne peut débrayer. Ceci peut signifier :</p> <ul style="list-style-type: none"> → Volume de linge supérieur à la capacité de la machine. Enlever l'excès de linge puis lancer de nouveau le programme. → Friction mécanique sur le mécanisme d'entraînement, ce qui empêche le débrayage du panier.
Sd (F) (71)	<p>Détection de moussage</p> <p>Affichage de Sd lorsque le module de commande machine/moteur détecte une situation de moussage excessif (analyse de la résistance à la rotation du panier), puis affichage fixe lorsque la machine exécute un mini-programme pour l'élimination de la mousse. Si l'opération corrective ne permet pas l'élimination de l'excès de mousse, le programme est interrompu et l'afficheur présente Sd avec clignotement. Ceci peut signifier :</p> <ul style="list-style-type: none"> → Linge de la charge entassé ou enroulé autour de l'agitateur. → Quantité excessive de détergent. → Pas d'engagement du panier durant l'étape de vidange. → Friction mécanique sur le mécanisme d'entraînement, ce qui empêche l'engagement du panier.

AFFICHAGE (Code mémorisé)	DESCRIPTION ET MÉTHODE DE RÉPARATION RECOMMANDÉE
lid (F) (81)	<p>Ouverture/fermeture du couvercle</p> <p>Clignotement de lid dans les situations suivantes :</p> <ul style="list-style-type: none"> → Pression sur la touche de mise en marche START alors que le couvercle est ouvert. → Pression sur la touche de mise en marche START après l'exécution de 2 programmes consécutifs sans ouverture du couvercle. → Le module de commande machine/moteur ne détecte pas les manœuvres d'ouverture/fermeture du contacteur du couvercle. → Voir TEST n° 8, page 14.
Po (aucun)	<p>Pompage (couvercle ouvert)</p> <p>Clignotement de Po lorsque la pompe de vidange commence à extraire l'eau de la cuve après l'activation lorsque le couvercle a été laissé ouvert pendant plus de 10 minutes.</p> <ul style="list-style-type: none"> → Refermer le couvercle pour interrompre le pompage.
HC (aucun)	<p>Inversion eau chaude/eau froide</p> <p>Clignotement de HC en cas de permutation des tuyaux d'admission d'eau chaude et eau froide.</p> <ul style="list-style-type: none"> → Veiller à connecter correctement les tuyaux d'admission d'eau. → Si les tuyaux sont installés correctement, la commande de température automatique peut être abaissée à la plage basse. Voir TEST n° 5, page 13.
dL (F) (80) (F) (82) (F) (84) (F) (85)	<p>Verrouillage de la porte - échec</p> <p>Clignotement de dL dans les situations suivantes :</p> <ul style="list-style-type: none"> → Couvercle pas complètement fermé, du fait d'une interférence. → Rechercher une éventuelle interférence du verrou avec le couvercle ou le boîtier du verrou. → Accumulation de déchets ou résidus empêchant la manœuvre de la broche de verrouillage. → Détection d'un contacteur de porte ouvert par le module de commande machine/moteur lors de la tentative de verrouillage. → Le module de commande machine/moteur ne peut déterminer si le couvercle est verrouillé. → Voir TEST n° 8, page 14.

AFFICHAGE (Code mémorisé)	DESCRIPTION ET MÉTHODE DE RÉPARATION RECOMMANDÉE
du (F) (83)	<p>Déverrouillage de la porte - échec</p> <p>Clignotement de du dans les situations suivantes :</p> <ul style="list-style-type: none"> → Force excessive exercée sur le couvercle, empêchant la rétraction de la broche de verrouillage. → Accumulation de déchets ou résidus empêchant la manœuvre de la broche de verrouillage. → Le module de commande machine/moteur ne peut déterminer si le couvercle est déverrouillé. → Voir TEST n° 8, page 14.
F1 (F) (88)	<p>Signal - Pression hors de la plage normale</p> <p>Clignotement de F1 lorsque le système de commande détecte une pression hors de la plage normale.</p> <ul style="list-style-type: none"> → Vérifier le raccordement du tuyau du contacteur manométrique de la cuve au module de commande machine/moteur. Le tuyau est-il coincé ou déformé? → En cas de multiples répétitions de F1 après qu'on a appuyé à plusieurs reprises sur le bouton de mise en marche POWER et si le tuyau du contacteur manométrique n'est pas coincé ou déformé, remplacer le module de commande machine/moteur.
F2 (F) (2)	<p>Clavier/Interface-utilisateur - défaillance</p> <p>Clignotement de F2 lors du :</p> <ul style="list-style-type: none"> → Mode de test de diagnostic en cas de détection d'une touche bloquée. → Mode d'attente en cas de non-concordance interface-utilisateur. → Voir TEST n° 4, page 12.
F40 (F) (40)	<p>Thermistance Contrôle automatique de température - court-circuit/circuit ouvert</p> <p>Clignotement de F40 lors de la détection d'un circuit ouvert ou d'un court-circuit affectant la thermistance du circuit de réglage automatique de la température.</p> <ul style="list-style-type: none"> → Voir TEST n° 5, page 13.
F41 (F) (41)	<p>Thermistance de détection de la position du rotor du moteur - court-circuit/circuit ouvert</p> <p>Clignotement de F41 lors de la détection d'un circuit ouvert ou d'un court-circuit affectant la thermistance de détection de la position du rotor du moteur.</p> <ul style="list-style-type: none"> → Voir TEST n° 3, page 12. <p>NOTE : Ce code d'erreur s'affiche seulement lorsqu'on visualise les codes d'erreur mémorisés.</p> <ul style="list-style-type: none"> → Voir Tests de diagnostic, page 7, pour accéder aux codes d'erreur mémorisés.

AFFICHAGE (Code mémorisé)	DESCRIPTION ET MÉTHODE DE RÉPARATION RECOMMANDÉE
F42 (F) (42)	<p>Thermistance Élément chauffant - court-circuit/circuit ouvert (pas utilisé)</p> <p>Clignotement de F42 lors de la détection d'un circuit ouvert ou d'un court-circuit affectant la thermistance Élément chauffant.</p>
F50 (F) (50)	<p>Décrochage du moteur</p> <p>Clignotement de F50 lorsqu'aucune rotation du moteur n'est détectée (capteur de position du rotor).</p> <ul style="list-style-type: none"> → Le panier peut-il tourner librement? Sinon, vérifier que l'emballage d'expédition du fond a été retiré. Déterminer la cause de la friction. → Si le panier peut tourner librement, voir TEST n° 3, page 12.
F51 (F) (51)	<p>Capteur de position du rotor du moteur - défaillance</p> <p>Clignotement de F51 en cas de défaillance du capteur de position du rotor du moteur ou de problème du câblage inférieur.</p> <ul style="list-style-type: none"> → Voir TEST n° 3, page 12.
F52 (F) (52)	<p>Moteur - échec de l'arrêt</p> <p>Clignotement de F52 lors de la détection de la défaillance de la position du rotor du moteur après commande d'arrêt.</p> <ul style="list-style-type: none"> → Voir TEST n° 3, page 12.
F53 (F) (53)	<p>Module de commande du moteur - température excessive</p> <p>Clignotement de F53 lorsque le module de commande machine/moteur détecte une température excessive du module du moteur.</p> <ul style="list-style-type: none"> → Le panier peut-il tourner librement? Sinon, déterminer la cause de la friction. → Si le panier peut tourner librement, voir TEST n° 3, page 12.
F54 (F) (54)	<p>Moteur - courant excessif</p> <p>Clignotement de F54 lorsque le module de commande machine/moteur détecte un courant excessif pour le module du moteur.</p> <ul style="list-style-type: none"> → Le panier peut-il tourner librement? Sinon, déterminer la cause de la friction. → Si le panier peut tourner librement, voir TEST n° 3, page 12.
F72 (F) (72)	<p>Réengagement du panier - défaillance</p> <p>Clignotement de F72 lorsque le processus de test du panier ne peut déterminer si le panier est réengagé après avoir été libéré.</p> <ul style="list-style-type: none"> → Le panier flotte-t-il? Si c'est le cas, vidanger l'eau. Voir Vidange longue, page 9. → Le panier peut-il tourner librement? Sinon, déterminer la cause de la friction.

GUIDE DE DÉPANNAGE

PROBLÈME	CAUSE POSSIBLE/TEST
	NOTE : Les opérations de test/recherche des causes doivent être exécutées dans l'ordre indiqué pour chaque problème.
PAS DE MISE EN MARCHÉ (Aucune réaction lors d'une pression sur les touches.)	1. Connexions d'alimentation. Voir TEST n° 1, à droite. 2. Débrancher la laveuse ou déconnecter la source de courant électrique. 3. Contrôler les connexions du câblage. 4. Interface-utilisateur. Voir TEST n° 4, page 12.
PAS DE MISE EN MARCHÉ D'UN PROGRAMME (Aucune réaction lors d'une pression sur le bouton START.)	1. Connexions d'alimentation. Voir TEST n° 1, à droite. 2. Débrancher la laveuse ou déconnecter la source de courant électrique. 3. Contrôler les connexions du câblage. 4. Interface-utilisateur. Voir TEST n° 4, page 12.
PAS D'ARRÊT DE LA MACHINE AU MOMENT ATTENDU	1. Interface-utilisateur. Voir TEST n° 4, page 12. 2. Contacteur du couvercle. Voir TEST n° 8, page 14.
LE MODULE DE COMMANDE N'ACCEPTE PAS LES SÉLECTIONS	Interface-utilisateur. Voir TEST n° 4, page 12.
PAS DE DISTRIBUTION D'INGRÉDIENTS	1. Contrôler les connexions sur la machine des tuyaux d'arrivée d'eau. 2. Rechercher une obstruction des tamis des tuyaux d'admission d'eau. 3. Électrovannes d'admission d'eau. Voir TEST n° 2, à droite.
PAS DE REMPLISSAGE	1. Contrôler les connexions sur la machine des tuyaux d'arrivée d'eau. 2. Rechercher une obstruction des tamis des tuyaux d'admission d'eau. 3. Électrovannes d'admission d'eau. Voir TEST n° 2, à droite. 4. Débrancher la laveuse ou déconnecter la source de courant électrique. 5. Contrôler les connexions du câblage.
REPLISSAGE EXCESSIF	1. Débrancher la laveuse ou déconnecter la source de courant électrique. 2. Contrôler les connexions du tuyau du contacteur manométrique. 3. Inspecter le tuyau du contacteur manométrique - rechercher une anomalie comme perforation, tuyau écrasé ou obstrué. 4. Niveau d'eau et étalonnage. Voir TEST n° 6, page 13.

PROBLÈME	CAUSE POSSIBLE/TEST
	NOTE : Les opérations de test/recherche des causes doivent être exécutées dans l'ordre indiqué pour chaque problème.
PAS D'AGITATION	1. Vérifier que le panier flotte. 2. Débrancher la laveuse ou déconnecter la source de courant électrique. 3. Contrôler les connexions du câblage. 4. Contacteur du couvercle. Voir TEST n° 8, page 14. 5. Moteur. Voir TEST n° 3, page 12.
PAS D'ESSORAGE	1. Contacteur du couvercle. Voir TEST n° 8, page 13. 2. Débrancher la laveuse ou déconnecter la source de courant électrique. 3. Contrôler les connexions du câblage. 4. Moteur. Voir TEST n° 3, page 12.
PAS DE VIDANGE	1. Contrôler l'installation du tuyau de vidange. 2. Rechercher une obstruction du tuyau de vidange. 3. Pompe de vidange. Voir TEST n° 7, page 13.
TEMPÉRATURE DE L'EAU INCORRECTE	1. Rechercher une permutation des tuyaux d'arrivée d'eau à la machine. 2. Circuit de réglage automatique de la température. Voir TEST n° 5, page 13.
EAU CHAUDE POUR TOUS LES REMPLISSAGES	1. Thermistance CAT bloquée sur plage de résistance haute. 2. Circuit de réglage automatique de la température. Voir TEST n° 5, page 13.
PAS DE CIRCULATION DE L'EAU	1. Débrancher la laveuse ou déconnecter la source de courant électrique. 2. Rechercher une obstruction du tuyau du circuit de circulation de l'eau. 3. Rechercher des fuites dans le circuit de circulation de l'eau. 4. Pompe de circulation. Voir TEST n° 7, page 13.
AFFICHAGE CLIGNOTANT	Voir page 9 - Affichage des codes d'anomalie/erreur.

TESTS DE DÉPANNAGE

TEST n° 1 Connexions d'alimentation

Pour ce test, on suppose que la tension appropriée est disponible sur la prise de courant.

- Débrancher la laveuse ou déconnecter la source de courant électrique.
- Accéder au module de commande machine/moteur. Voir à la page 14, Modules électroniques - Accès et dépose.
- Avec un ohmmètre, vérifier la continuité entre la broche neutre (N) de la prise de courant et la broche P13-1 du module de commande machine/moteur. Voir figures 3 et 4, page 16.
 - Continuité - passer à l'étape 4.
 - Pas de continuité - remplacer le cordon d'alimentation.
- D'une manière similaire, rechercher la continuité entre la broche L1 (phase) de la prise de courant et la broche P13-3 du module de commande machine/moteur. Voir figures 3 et 4, page 16.
 - Continuité - passer à l'étape 5.
 - Pas de continuité - remplacer le cordon d'alimentation.
- Vérifier visuellement que le connecteur P10 est complètement inséré dans le module de commande machine/moteur.
- Vérifier visuellement que le connecteur de l'interface-utilisateur est correctement inséré dans la console avant.
- En cas de succès des deux contrôles visuels, remplacer le module de l'interface-utilisateur. Voir Modules électroniques - Réinstallation, page 14.
- Brancher la laveuse ou reconnecter la source de courant électrique.
- Activer le mode de test de diagnostic pour console et témoins, page 9, pour vérifier l'efficacité de la réparation.
- S'il n'y a toujours pas d'illumination des témoins, le module de commande machine/moteur est défectueux :
 - Débrancher la laveuse ou déconnecter la source de courant électrique.
 - Remplacer le module de commande machine/moteur.
 - Brancher la laveuse ou reconnecter la source de courant électrique.

TEST n° 2 Électrovannes d'admission d'eau

Ce test permet de contrôler les connexions électriques sur les électrovannes, et les électrovannes elles-mêmes.

- Pour contrôler les relais et connexions électriques sur les électrovannes, exécuter le processus décrit à Diagnostic : Manuel, puis Manuel : Électrovannes d'admission d'eau, page 8. Un groupe d'électrovannes est activé lors de chaque test. Dans la description des étapes ci-dessous, on suppose qu'une ou plusieurs des électrovannes ne fonctionne(nt) pas.
- Pour l'électrovanne en question, contrôler le mécanisme à électro-aimant :
 - Débrancher la laveuse ou déconnecter la source de courant électrique.
 - Débrancher les connecteurs P1 et P2 du module de commande machine/moteur. Voir figure 4, page 16.

- Contrôler les connexions du câblage sur l'électrovanne.
- 3.** Mesurer la résistance du bobinage de l'électrovanne entre les broches identifiées P1 et P2 sur le schéma de câblage, page 15. Les valeurs de résistance mesurées doivent correspondre aux indications.
- Si la résistance mesurée est hors de la plage indiquée (de quelques dizaines d'ohms), remplacer tout le groupe d'électrovannes.
 - Si la résistance mesurée est compatible avec la plage indiquée, remplacer le module de commande machine/moteur.
- 4.** Rebrancher les connecteurs P1 et P2 sur le module de commande machine/moteur.

TEST n° 3 Circuit du moteur

Ce test permet de contrôler le câblage d'alimentation du moteur et le capteur de position du rotor, ainsi que le moteur et le capteur de position eux-mêmes.

NOTE : Vider l'eau de la cuve.

- 1.** Voir à la page 8 Activation du mode de test de diagnostic manuel; pour contrôler les connexions électriques et le moteur, exécuter le test Essorage décrit dans la section Manuel : Moteur, page 9. Pour les étapes suivantes, on suppose un échec des tests précédents.
- 2.** Débrancher la laveuse ou déconnecter la source de courant électrique.
- 3.** Déterminer si le panier peut tourner librement.
 - Si le panier tourne librement, passer à l'étape 4.
 - Si le panier ne tourne pas librement, déterminer la cause de la friction mécanique ou du blocage.
- 4.** Déposer la console pour accéder au module de commande machine/moteur. Voir Modules électroniques - Accès et dépose, page 14.
- 5.** Vérifier visuellement que les connecteurs P5 et P10 sont complètement enfoncés sur les connecteurs correspondants du module de commande machine/moteur.
 - Si le résultat des contrôles visuels est satisfaisant, passer à l'étape 6.
 - Si le résultat des contrôles visuels n'est pas satisfaisant, rebrancher correctement les connecteurs P5 et P10 et répéter l'étape 1.
- 6.** Vérifier visuellement que les connecteurs P5 et P10 sont complètement enfoncés sur les connecteurs correspondants du module de commande machine/moteur.
 - Avec un ohmmètre, vérifier les valeurs de résistance telles qu'indiquées ci-dessous :

Vérifier entre les broches	Les valeurs de résistance doivent être :	Passer à l'étape 7 si les valeurs sont :	Passer à l'étape 12 si :
P5	1-2	31 Ω ± 5 Ω	Bien supérieures à 31 Ω
	1-3		
P10	6-5	1,5 kΩ ± 100 Ω	Les résistances au niveau de tous les connecteurs sont correctes
	6-4		
	6-3		
	1-7	600 Ω à 21,2 kΩ	Hors de la plage

- 7.** Incliner la machine vers l'avant pour accéder au fond de la machine et à la zone du moteur. Voir figure 1. Enlever le boulon axial du moteur, puis le couvercle du moteur, pour accéder aux connexions. Voir figure 2.
- 8.** Vérifier visuellement la bride de montage et les connexions électriques sur moteur, capteur de position du rotor, et carte de circuits.

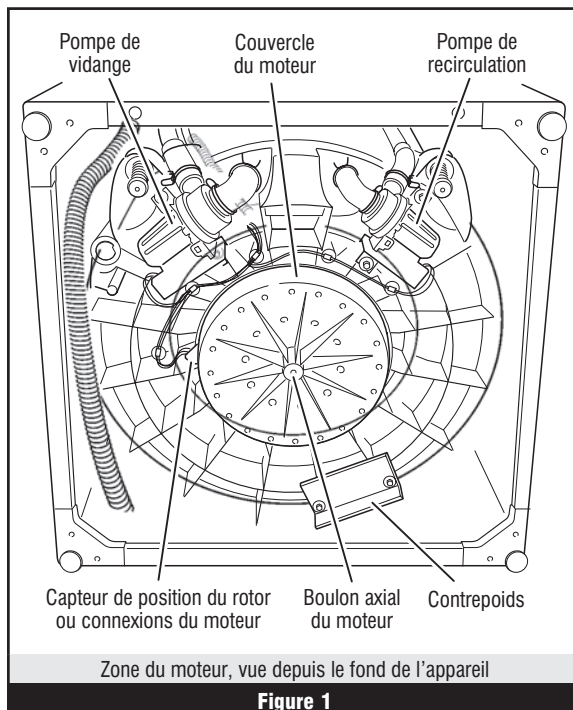


Figure 1

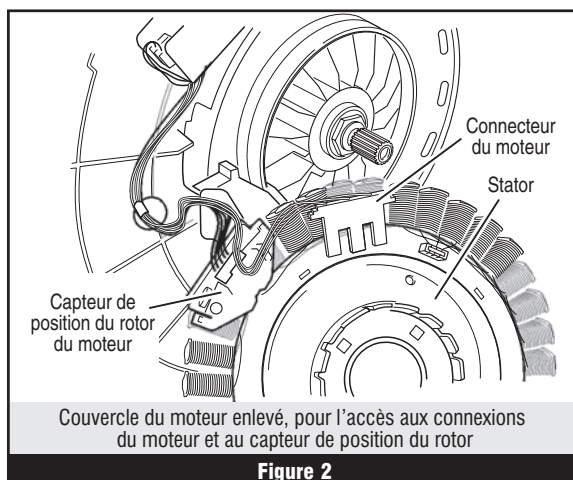


Figure 2

- Si le résultat du contrôle visuel est satisfaisant, passer à l'étape 9.
 - Si le résultat du contrôle visuel n'est pas satisfaisant, rebrancher correctement les conducteurs, réinstaller le stator et le couvercle du moteur, et répéter l'étape 1.
- 9.** Avec un ohmmètre, vérifier la continuité entre toutes les broches du connecteur P10 du module de commande machine/moteur et le connecteur du capteur de position du moteur. Voir figures 2 et 4, pages 12 et 16.
 - Continuité – contrôler les bobinages du moteur. En cas de circuit ouvert affectant les bobinages de moteur, remplacer le moteur d'entraînement.
 - Pas de continuité - remplacer le câblage inférieur de la machine.
 - 10.** Avec un ohmmètre, vérifier la continuité entre toutes les broches du connecteur P5 du module de commande machine/moteur et le connecteur du moteur.
 - Continuité - remplacer le moteur.
 - Pas de continuité - remplacer le câblage inférieur de la machine.
 - 11.** Le moteur et le câblage inférieur de la machine sont en bon état. Remplacer la carte de circuits du capteur de position du rotor du moteur, et exécuter le test de diagnostic de l'étape 1, pour vérifier l'efficacité de la réparation.
 - 12.** En cas d'échec du test de diagnostic (étape 1), il y a une défaillance du module de commande machine/moteur :
 - Débrancher la laveuse ou déconnecter la source de courant électrique.
 - Remplacer le module de commande machine/moteur.
 - Exécuter le test de diagnostic du moteur (étape 1) pour vérifier l'efficacité de la réparation.

TEST n° 4 Console et témoins

On exécute ce test lorsque l'une des situations suivantes se manifeste durant le test de diagnostic pour console et témoins, page 9 :

- ✓ Aucun des témoins ne s'allume
- ✓ Pas d'émission du signal sonore
- ✓ Pas d'illumination du témoin pour certains boutons

Aucun des témoins ne s'allume :

- 1.** Exécuter les étapes décrites à la page 14 pour Modules électroniques - Accès et dépose, et vérifier visuellement que le connecteur P11 est complètement enfoncé dans le connecteur correspondant du module de commande machine/moteur.
- 2.** Vérifier visuellement que le module de l'interface-utilisateur est convenablement inséré dans le module de la console.
- 3.** Si le résultat des deux contrôles visuels est satisfaisant, remplacer le module de l'interface-utilisateur.
- 4.** Brancher la laveuse ou reconnecter la source de courant électrique.
- 5.** Activer le mode de test de diagnostic pour console et témoins, page 9, pour vérifier l'efficacité de la réparation.
- 6.** Si les témoins ne s'allument toujours pas, le module de commande machine/moteur est défaillant :
 - Débrancher la laveuse ou déconnecter la source de courant électrique.
 - Remplacer le module de commande machine/moteur.
 - Brancher la laveuse ou reconnecter la source de courant électrique.
 - Activer le mode de test de diagnostic pour console et témoins, page 9, pour vérifier l'efficacité de la réparation.

Pas d'émission du signal sonore :

1. Exécuter les étapes décrites à la page 14 pour Modules électroniques - Accès et dépose, et vérifier visuellement que le connecteur P5 est complètement enfoncé dans le connecteur correspondant du module de commande machine/moteur.
 - Si le résultat du contrôle visuel est satisfaisant, remplacer l'interface-utilisateur.
2. Brancher la laveuse ou reconnecter la source de courant électrique.
3. Activer le mode de test de diagnostic pour console et témoins, page 9, pour vérifier l'efficacité de la réparation.
4. Si le remplacement de l'interface-utilisateur ne produit pas le résultat attendu :
 - Débrancher la laveuse ou déconnecter la source de courant électrique.
 - Remplacer le module de commande machine/moteur.
 - Brancher la laveuse ou reconnecter la source de courant électrique.
 - Activer le mode de test de diagnostic pour console et témoins, page 9, pour vérifier l'efficacité de la réparation.

Pas d'illumination du témoin pour certains boutons :

1. Exécuter les étapes décrites à la page 14 pour Modules électroniques - Accès et dépose, et vérifier visuellement que le module électronique de la console (avec son logement) est correctement inséré dans la console avant.
 - Si le résultat du contrôle visuel est satisfaisant, remplacer l'interface-utilisateur.
2. Brancher la laveuse ou reconnecter la source de courant électrique.
3. Activer le mode de test de diagnostic pour console et témoins, page 9, pour vérifier l'efficacité de la réparation.

TEST n° 5 Circuit de contrôle automatique de la température

Ce test permet de contrôler le fonctionnement des électrovannes d'admission d'eau, le capteur de température et le module de commande machine/moteur.

1. Avant de passer aux étapes suivantes, contrôler le fonctionnement des électrovannes : Test n° 2, page 11.
2. Vérifier la qualité des connexions des tuyaux, et vérifier la disponibilité d'eau chaude (circuit d'eau chaude de la maison).
3. Brancher la laveuse ou reconnecter la source de courant électrique.
4. Retirer tout le linge de la machine.
5. Sélectionner POWER/mise sous tension → programme de lavage NORMAL → Température lavage/rinçage WARM/COLD (tiède/froid) → START/mise en marche.
6. Après le remplissage de la cuve et le début de l'exécution du lavage, arrêter la machine.
7. Mesurer la température de l'eau; elle devrait être de $29^{\circ} \pm 3^{\circ}\text{C}$ ($85^{\circ} \pm 5^{\circ}\text{F}$).
 - Si la température de l'eau est correcte, le système de réglage automatique de la température est fonctionnel.
 - Si la température de l'eau n'est pas correcte, passer à l'étape 8.

8. Débrancher la laveuse ou déconnecter la source de courant électrique.
9. Accéder au module de commande machine/moteur. Voir Modules électroniques - Accès et dépose, page 14.
10. Débrancher le connecteur P9; avec un ohmmètre, mesurer la résistance entre les broches P9-1 et P9-3. Vérifier à l'aide du tableau suivant que la valeur de la résistance est satisfaisante :

RÉSISTANCE DE LA THERMISTANCE	
Température	Résistance (Ω)
4,4°C (40°F)	26–27,5 k Ω
10°C (50°F)	19–20,5 k Ω
16°C (60°F)	15–15,7 k Ω
21°C (70°F)	11,7–12,2 k Ω
27°C (80°F)	9,1–9,5 k Ω
32°C (90°F)	7,2–7,6 k Ω
38°C (100°F)	5,6–5,9 k Ω
44°C (110°F)	4,6–4,9 k Ω
49°C (120°F)	3,6–3,8 k Ω
55°C (130°F)	2,9–3,1 k Ω
60°C (140°F)	2,4–2,6 k Ω

- Si la valeur de résistance n'est pas conforme, passer à l'étape 11.
 - Si la valeur de résistance est conforme, passer à l'étape 12.
11. Avec un ohmmètre, vérifier la continuité entre toutes les broches du connecteur P9 et les contacts de la thermistance.
 - Continuité - remplacer le module Électrovannes d'admission d'eau.
 - Pas de continuité - remplacer le câblage supérieur.
 12. Les électrovannes d'admission d'eau et le câblage supérieur sont en bon état. Remplacer le module de commande machine/moteur. Voir Modules électroniques - Réinstallation, page 14.

TEST n° 6 Niveau d'eau et contacteur manométrique - Étalonage

Ce test permet de contrôler les composants du système de détermination du niveau d'eau et d'étalonner le contacteur manométrique.

1. Débrancher la laveuse ou déconnecter la source de courant électrique.
2. Accéder au module de commande machine/moteur. Voir Modules électroniques - Accès et dépose, page 14.
3. Contrôler les connexions du tuyau entre le transducteur sur le module de commande machine/moteur et la chambre pressurisée fixée à la cuve. Vérifier le placement correct du tuyau dans la partie inférieure de la caisse; vérifier que le tuyau n'est pas écrasé ou autrement déformé par le panneau arrière.
4. Brancher la laveuse ou reconnecter la source de courant électrique.
5. Vider toute l'eau de la cuve.
6. Retirer tout le linge de la machine.
7. Étalonner le transducteur :
 - Voir Activation du mode de test de diagnostic manuel, page 8; exécuter les étapes 1 et 2 pour faire apparaître **DD** sur l'afficheur; le témoin Add A Garment/Addition d'un article doit clignoter.
 - Appuyer/maintenir la pression sur le bouton Cycle Signal/signal de programme jusqu'à l'émission

d'un signal sonore; l'afficheur doit alors présenter **PE** pour indiquer l'étalonnage à la valeur zéro.

- Quitter le mode de diagnostic : Manuel - appuyer sur le bouton PAUSE/CANCEL (pause/annulation) ou POWER/mise sous tension.

8. Sélectionner POWER → programme de lavage NORMAL → START.
9. Vérifier que la cuve se remplit jusqu'en haut de la plaque de l'impulseur (modèles avec impulseur) ou à un niveau supérieur aux pales de l'agitateur (modèles avec agitateur), mais que l'eau reste bien en dessous du niveau d'eau pour taille de charge SUPER.

TEST n° 7 Vidange/Circulation de l'eau

Exécuter les contrôles suivants en cas d'échec de la vidange ou de non-circulation de l'eau.

1. Voir Activation du mode de test de diagnostic manuel, page 8 et exécuter le test Manuel : Pompes, page 8.
2. Enlever la console pour accéder au module de commande machine/moteur. Voir Modules électroniques - Accès et dépose, page 14.
3. Vérifier visuellement que le connecteur P4 est complètement enfoncé sur le module de commande machine/moteur.
 - Si le résultat du contrôle visuel est satisfaisant, passer à l'étape 4.
 - Si le résultat du contrôle visuel n'est pas satisfaisant, rebrancher le connecteur P4 et répéter l'étape 1.
4. Débrancher le connecteur P4 du module de commande machine/moteur, et mesurer les valeurs de résistance sur les bobinages du moteur de la pompe. Les valeurs mesurées devraient être conformes à celles indiquées sur le schéma du câblage, page 15.
 - Si les valeurs de résistance mesurées sont satisfaisantes, passer à l'étape 7.
 - Si les valeurs de résistance mesurées sur les bobinages sont beaucoup plus élevées (dizaines d'ohms, jusqu'à l'infini) que les valeurs indiquées sur le schéma du câblage, un problème affecte le moteur ou la connexion entre le module de commande machine/moteur et le moteur. Passer à l'étape 5.
5. Incliner la machine vers l'avant pour accéder au fond de la machine et aux pompes. Voir figure 1, page 12.
6. Effectuer des mesures de résistance sur le moteur de la pompe. Débrancher le connecteur du moteur, et mesurer la résistance entre les broches de la pompe. Les valeurs mesurées devraient être conformes aux indications du schéma du câblage.
 - Si les valeurs de résistance mesurées sur les bobinages sont beaucoup plus élevées (dizaines d'ohms, jusqu'à l'infini) que les valeurs indiquées sur le schéma du câblage, remplacer le moteur de la pompe.
 - Si la résistance mesurée sur le moteur de la pompe est correcte, il y a un circuit ouvert dans le câblage d'alimentation entre le moteur et le module de commande machine/moteur. Réparer ou remplacer le câblage inférieur.
 - Si les bobinages du moteur de la pompe et le module de commande machine/moteur sont en bon état, réparer ou remplacer la pompe. Avant de remplacer la pompe, ne pas oublier de rechercher l'éventuelle présence d'objets étrangers dans la pompe ou le fond de la cuve.
7. Voir Activation du mode de test de diagnostic manuel, page 8 et exécuter le test Manuel : Pompes, page 8.
8. En cas d'échec du test Manuel : Pompes, le module de commande machine/moteur est défaillant :

- Débrancher la laveuse ou déconnecter la source de courant électrique.
- Remplacer le module de commande machine/moteur.
- Exécuter le test Manuel : Pompes, page 8.

TEST n° 8 Verrouillage du couvercle

En cas d'impossibilité de verrouillage ou déverrouillage du couvercle, exécuter les contrôles suivants.

1. Exécuter les tests manuels décrits à la page 8 pour Contacteur de la porte et Verrouillage du couvercle.
2. Enlever la console pour accéder au module de commande machine/moteur. Voir Modules électroniques - Accès et dépose, à droite.
3. Vérifier visuellement que le connecteur P12 est complètement enfoncé sur le module de commande machine/moteur.
 - Si le résultat du contrôle visuel est satisfaisant, passer à l'étape 4.
 - Si le résultat du contrôle visuel n'est pas satisfaisant, rebrancher le connecteur P4 et répéter l'étape 1.
4. Contrôler le contacteur et le bobinage du moteur de verrouillage : débrancher le connecteur P12 du module de commande machine/moteur et mesurer les valeurs de résistance; comparer avec les indications du tableau ci-dessous :

VERROUILLAGE DU COUVERCLE - MESURE DE RÉSISTANCE			
Composant	Résistance sans verrouillage	Résistance avec verrouillage	Conducteurs pour la mesure
Bobinage moteur	35 Ω (±5 Ω)	35 Ω (±5 Ω)	P12-2 P12-3
Contacteur verrouillage - Position de repos	0 Ω	Circuit ouvert	P12-4
Contacteur verrouillage - Position de verrouillage	Circuit ouvert	0 Ω	P12-1 P12-7
Contacteur verrouillage - Couvercle	Couvercle fermé = 0 Ω Couvercle ouvert = Circuit ouvert		P12-5

- Si les valeurs de résistance mesurées sont satisfaisantes, passer à l'étape 5.
 - Si les valeurs de résistance mesurées sur le contacteur ne correspondent pas aux valeurs indiquées par le tableau pour la situation de verrouillage ou déverrouillage, un problème affecte le dispositif de verrouillage du couvercle. Remplacer le dispositif de verrouillage du couvercle.
5. Si le test du contacteur de porte manuel ou du verrou de couvercle manuel à l'étape 1 a échoué, le verrou est peut-être bloqué ou le verrou est défectueux.
 - Débrancher la laveuse ou déconnecter la source de courant électrique.
 - Remplacer l'ensemble Verrou de couvercle.
 - Exécuter de nouveau le test décrit à l'étape 1 Manuel : Contacteur porte et Manuel : Verrouillage couvercle, pour vérifier l'efficacité de la réparation.

MODULES ÉLECTRONIQUES - ACCÈS ET DÉPOSE

L'appareil comporte deux modules électroniques : le module de commande machine/moteur et le module de l'interface-utilisateur. Voir les figures 3 et 4 à la page 16.

Accès aux modules électroniques

1. Débrancher la laveuse ou déconnecter la source de courant électrique.
2. Ôter les trois vis à l'arrière de la console. Tirer la console vers l'avant de la laveuse pour faire pivoter la console ou l'enlever.

Dépose du module de commande machine/moteur

3. Débrancher tous les conducteurs du module de commande machine/moteur.
4. Ôter l'unique vis fixant le module de commande machine/moteur sur la console.
5. Il y a deux pattes de plastique à l'arrière du module de commande machine/moteur, qui s'engagent dans le plateau de la console. Soulever l'avant du module de commande pour le faire pivoter et le dégager du plateau de la console.

Dépose du module de l'interface-utilisateur

3. Débrancher tous les conducteurs du module de l'interface-utilisateur.
4. Ôter le bouton du sélecteur de programme. Tirer fermement sur le bouton.
5. Le module de l'interface-utilisateur est fixé sur la console par trois vis et deux pattes de blocage. Après avoir enlevé les vis, écarter chacune des pattes de blocage pour pouvoir enlever le couvercle arrière du module de l'interface-utilisateur.
6. Retirer le sélecteur de programme à travers l'ouverture du module de l'interface-utilisateur. Écarter la patte de blocage du sélecteur de programme, et faire tourner le sélecteur de programme dans le sens antihoraire.
7. Il y a en bas du panneau de la console trois pattes de blocage fixant le module de l'interface-utilisateur sur le panneau de la console. Exercer doucement une pression sur les pattes de blocage avec un tournevis à lame plate pour pouvoir dégager le module de l'interface-utilisateur.

Modules électroniques - Réinstallation

1. Voir ci-dessus la description des opérations de dépose; exécuter le processus dans l'ordre inverse des opérations.
2. Brancher la laveuse ou reconnecter la source de courant électrique.

NOTE : Lors du rebranchement des conducteurs, veiller à placer les conducteurs et éléments de câblage conformément aux indications de la figure 3, page 16. Veiller à faire passer les conducteurs sous les agrafes de retenue sur le module de commande machine/moteur, et veiller à ce que les conducteurs de l'interface-utilisateur ne soient pas coincés entre la console et le plateau de la console lors du remontage.

NOTE : Lors de la réinstallation de la console, veiller à placer correctement le joint.

WIRING DIAGRAM

SCHEMA DE CÂBLAGE

