

**⚠ WARNING**

**Electrical Shock Hazard**  
Disconnect power before servicing.  
Replace all parts and panels before operating.  
Failure to do so can result in death or electrical shock.

**IMPORTANT****Electrostatic Discharge (ESD) Sensitive Electronics**

ESD problems are present everywhere. ESD may damage or weaken the machine control electronics. The new control assembly may appear to work well after repair is finished, but failure may occur at a later date due to ESD stress.

- Use an anti-static wrist strap. Connect wrist strap to green ground connection point or unpainted metal in the appliance -OR- Touch your finger repeatedly to a green ground connection point or unpainted metal in the appliance.
- Before removing the part from its package, touch the anti-static bag to a green ground connection point or unpainted metal in the appliance.
- Avoid touching electronic parts or terminal contacts; handle machine control electronics by edges only.
- When repackaging failed machine control electronics in anti-static bag, observe above instructions.

**DIAGNOSTIC GUIDE**

Before servicing, check the following:

- Make sure there is power at the wall outlet.
- Has a household fuse blown or circuit breaker tripped? Time delay fuse?
- Is dryer vent properly installed and clear of lint or obstructions?
- All tests/checks should be made with a VOM (volt-ohm-milliammeter) or DVM (digital-voltmeter) having a sensitivity of 20,000 Ω per volt DC or greater.
- Check all connections before replacing components. Look for broken or loose wires, failed terminals, or wires not pressed into connectors far enough.

- A potential cause of a control not functioning is corrosion on connections. Observe connections and check for continuity with an ohmmeter.
- Connectors: Look at top of connector. Check for broken or loose wires. Check for wires not pressed into connector far enough to engage metal barbs.
- Resistance checks must be made with dryer unplugged or power disconnected.

**DIAGNOSTIC TESTS**

These tests allow service personnel to test and verify all inputs to the machine control electronics. You may want to do a quick and overall checkup of the dryer with these tests before going to specific troubleshooting tests.

**ACTIVATING THE SERVICE DIAGNOSTIC TEST MODE**

1. Be sure the dryer is in standby mode (plugged in with all indicators off, or with only the Done indicator on).
2. Select any one button (except Pause/Cancel) and follow the steps below, using the same button (remember the button):
  - a. Press/hold 2 seconds
  - b. Release for 2 seconds
  - c. Press/hold 2 seconds
  - d. Release for 2 seconds
  - e. Press/hold 2 seconds
3. If this test mode has been entered successfully, all indicators on the console are illuminated for 5 seconds with *8:88* showing in the Estimated Time Remaining three-digit display. If there are no saved fault codes or active fault codes, all indicators on the console will momentarily turn off, then stay on with *8:88* displayed. Continue with Diagnostics.
4. If entry into diagnostic mode is unsuccessful, choose a different button (except Pause/Cancel) and repeat step 2.
  - If no indicators come on after repeating step 2 using a different button, go to TEST #1, page 4.

**DIAGNOSTIC: Active Fault Codes**

If there is an active fault code, it will be flashing in the display. Review the Display Fault/Error Codes table, page 3, for the recommended procedure.

If there is no active fault code, *8:88* will be displayed.

**DIAGNOSTIC: Saved Fault Codes**

If there are saved fault codes, the most recent fault code will show "F:" and flash "XX" where XX is the fault code.

|  |             |  |
|--|-------------|--|
| Press and release the same button used to activate Diagnostics | → beep tone | → Second most recent fault code is displayed.      |
| Repeat   | → beep tone | → Third most recent fault code is displayed.       |
| Repeat   | → beep tone | → Fourth most recent fault code is displayed.      |
| Repeat   | →           | All indicators momentarily turn off, then stay on. |

**DIAGNOSTIC: Console Buttons and Indicators**

Pressing buttons and rotating the cycle selector will turn off the corresponding indicator and sound a beep as shown in figure 1, page 2. Pressing (more time) will toggle the left digit and colon on the display while sounding a beep. Pressing (less time) will toggle the right two digits on the display while sounding a beep.

- If indicators fail to come on and beep after pressing buttons and rotating the cycle selector, go to TEST #7, page 9.

**DIAGNOSTIC: Door Switch**

Opening the door should cause a beep and an alphanumeric number to be displayed. Closing the door should cause a beep and *8:88* to be displayed.

- If opening the door fails to cause a beep and a number and letter to be displayed, go to TEST #8, page 9.

**DIAGNOSTIC: Moisture Sensor**

Open the door and locate two metal strips on the inside of the dryer. Bridge these strips with a wet cloth or a finger.

- If a continuous beep tone is heard and an alphanumeric number is displayed on the console, the sensor is OK.
- If not, or if a continuous beep tone is heard before bridging the moisture strips, go to TEST #5, page 8.

**DIAGNOSTIC: Motor, Heater, and Console ID**

Close the door. Press the Start button. The motor and heater will turn on. Continuing to press the Start button will display the project codes and software revisions.

- If the motor does not turn on, go to TEST #3, page 5.
- If no heat is detected, go to TEST #4, page 6.

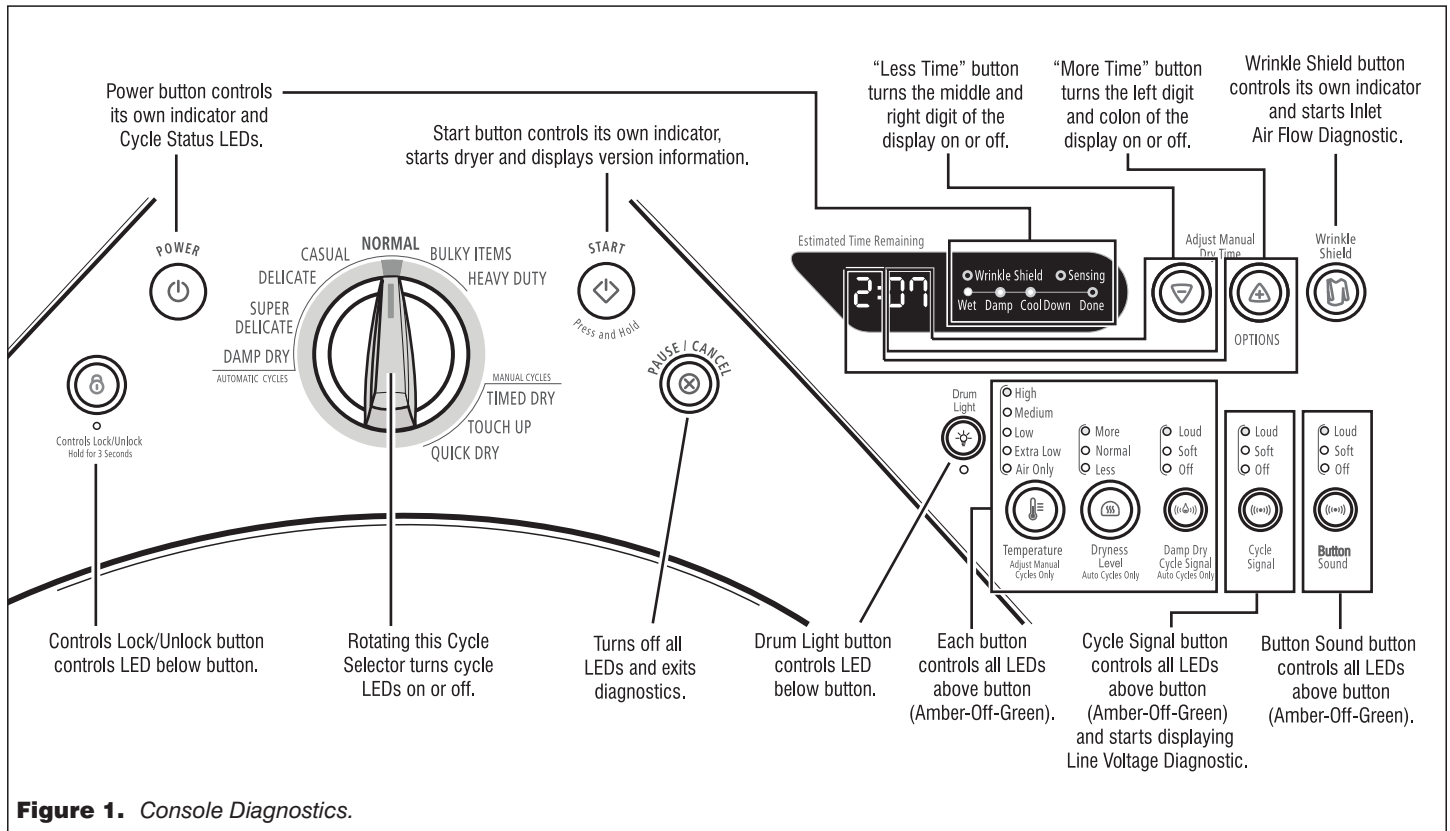


Figure 1. Console Diagnostics.

**DIAGNOSTIC: Displaying Inlet Air Flow**

Used to display the airflow value at the inlet of the heater box being measured by the machine control.

After all saved fault codes have been displayed, press the Wrinkle Shield button to activate airflow detection. A 30 or 50 second countdown timer will start and the dryer will turn on.

→ If the dryer is cold, the countdown will start at 50 seconds.

**NOTE:** If the dryer is extremely cold (less than 40°F [4.4°C]) the airflow may not be detected properly, and “-” will be displayed.

→ If the dryer is hot, the countdown timer will start at 30 seconds (cool down period) followed by an additional 50 second countdown.

A Dryness Level modifier LED will also be illuminated to indicate the airflow range corresponding to the number displayed.

- The More LED will be illuminated for airflow readings above 40 cfm.
- The Normal LED will be illuminated for airflow readings between 29 and 40 cfm.
- The Less LED will be illuminated for airflow readings less than 29 cfm.
  - If airflow value is low (Less LED is lit), check to make sure the lint screen is clean, the door seal is in place and the vent is not obstructed.

**DIAGNOSTIC: Displaying Line Voltage**

Used to display the line voltage currently being measured by the machine control.

After all saved fault codes have been displayed, press the Cycle Signal button. The voltage value will be displayed.

→ If the line voltage is not seen on L2, the display will flash L2. Go to TEST #1, page 4.

**DEACTIVATING THE DIAGNOSTIC TEST MODE**

Press the Pause/Cancel button to exit diagnostics.

**ACTIVATING THE MANUAL LOAD TEST**

1. Be sure the dryer is in standby mode (plugged in with all indicators off, or with only the Done indicator on).
2. Select any one button (except Pause/Cancel) and follow the steps below, using the same button (remember the button):

Press/hold 2 seconds → Release for 2 seconds → Press/hold 2 seconds → Release for 2 seconds → Press/hold 2 seconds → Release for 2 seconds → Press/hold 2 seconds

The motor starts right away, the “Sensing” Status LED comes on, and “0” (zero) is displayed (this step starts the Manual Load sequence):

1. Motor turns on. → “Sensing” Status LED turns on. → 0:00 is displayed.

Now press any key (except Pause/Cancel) and the control will advance through each step of the following sequence:

2. Motor + full heater. → “Damp” Status LED turns on. → 0:02 is displayed.
3. Motor + full heater + drum light. → “Cool Down” Status LED turns on. → 0:03 is displayed.
4. All loads turn off. → “Done” Status LED turns on. → 0:04 is displayed.

**DEACTIVATING THE MANUAL LOAD TEST**

Press the Pause/Cancel button to exit this mode.

### DISPLAY FAULT/ERROR CODES

The fault codes below would be indicated when attempting to start a drying cycle, or after activating the diagnostic test mode.

| Display              | Description   | Explanation / Recommended Procedure  |
|----------------------|---|--|
| PF                   | <b>Power Failure</b>                                  | PF flashes to indicate that a power failure occurred while the dryer was running.<br>■ Press Start to continue the cycle, or press Pause/Cancel to clear the display.  |
| F:01                 | <b>Primary Control Failure</b>                        | F:01 flashes when there is a primary control failure.<br>■ Replace the machine control electronics. See Accessing & Removing the Electronic Assemblies, page 9.  |
| F:02                 | <b>Keypad/ User Interface Failure</b>                 | F:02 flashes when there is a stuck button or user interface mismatch. This fault code will ONLY appear when in the diagnostic test mode.<br>■ See TEST #7, page 9.   |
| F:22                 | <b>Outlet Thermistor Open</b>                         | F:22 flashes if the outlet thermistor is open.<br>■ See TEST #4a, page 6.  |
| F:23                 | <b>Outlet Thermistor Shorted</b>                      | F:23 flashes if the outlet thermistor has shorted.<br>■ See TEST #4a, page 6.  |
| F:24                 | <b>Inlet Thermistor Open</b>                          | F:24 flashes if the inlet thermistor is open. This fault code will ONLY appear when in the diagnostic test mode.<br>■ See TEST #4a, page 6.  |
| F:25                 | <b>Inlet Thermistor Shorted</b>                       | F:25 flashes if the inlet thermistor is shorted. This fault code will ONLY appear when in the diagnostic test mode.<br>■ See TEST #4a, page 6.   |
| F:26                 | <b>Motor Drive System Failure</b>                     | F:26 flashes if there is a motor drive system failure.<br>■ See TEST #3, page 5.   |
| F:28                 | <b>Moisture Sensor Open</b>                           | F:28 flashes if the moisture sensor strip is open. This fault code will ONLY appear when in the diagnostic test mode.<br>■ See TEST #5, page 8.  |
| F:29                 | <b>Moisture Sensor Shorted</b>                        | F:29 flashes if the moisture sensor strip has shorted. This fault code will ONLY appear when in the diagnostic test mode.<br>■ See TEST #5, page 8.  |
| F:30                 | <b>Restricted Airflow Condition</b>                   | F:30 flashes if a restricted airflow condition exists. This fault code will ONLY appear when in the diagnostic test mode.<br>■ Check to make sure the lint screen is clean, the door seal is in place and the vent is not obstructed.<br>■ See DIAGNOSTIC: Displaying Inlet Air Flow, page 2.    |
| F:70<br>F:71         | <b>No Communication Between Electronic Assemblies</b> | F:70 / F:71 flashes when there is no communication between the machine control and the console electronics.<br>■ Check console electronics harness connections to the machine control.<br>■ Replace the machine control electronics. See Accessing & Removing the Electronic Assemblies, page 9. |
| F:72 through<br>F:78 | <b>Console Electronics Failure</b>                    | F:72 through F:78 flashes when there is a console electronics failure.<br>■ Replace the console electronics. See Accessing & Removing the Electronic Assemblies, page 9.   |

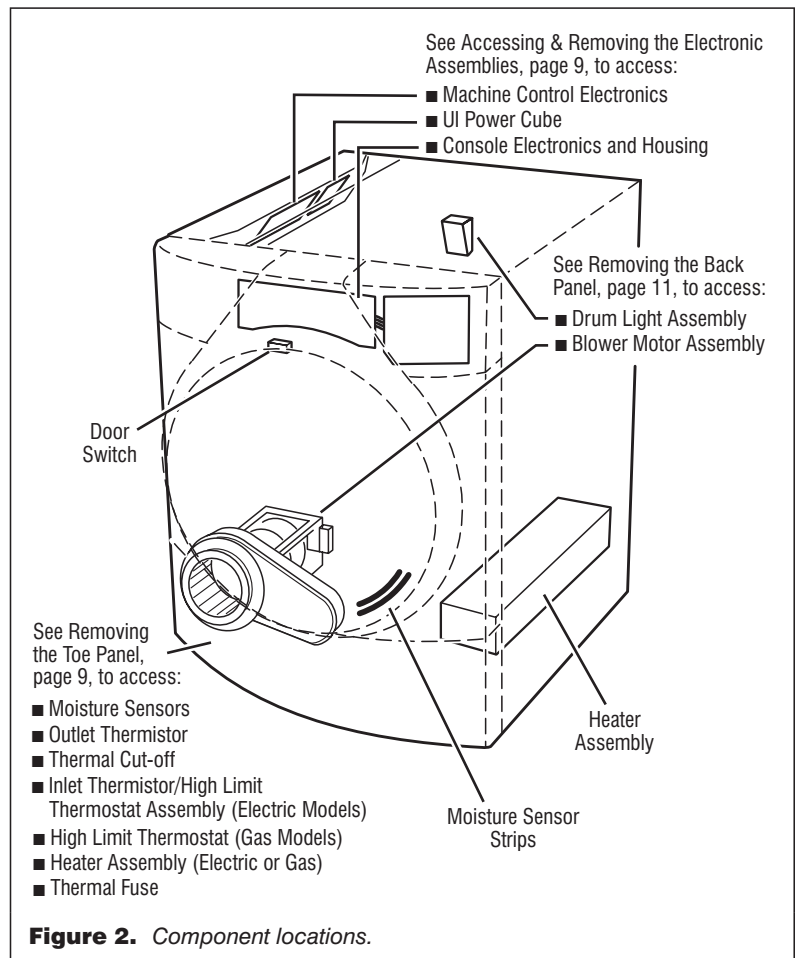


Figure 2. Component locations.

### TROUBLESHOOTING GUIDE

Some tests will require accessing components.

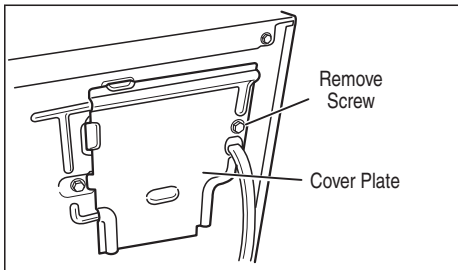
| Problem   | Possible Cause / Test | Problem  | Possible Cause / Test |
|---|-----------------------|--|-----------------------|
| <b>NOTE:</b> Possible Cause/Tests MUST be performed in the sequence shown for each problem.<br><b>Won't power up.</b><br>(No response when buttons are pressed.)<br>1. Supply connections. See TEST #1, page 4.<br>2. Check harness connections.<br>3. Console electronics and housing assembly. See TEST #7, page 9. |                       | <b>Won't heat.</b><br>1. Heater. See TEST #4, page 6.<br>2. Check harness connections.<br>3. See DIAGNOSTIC: Displaying Line Voltage, page 2.<br>4. Check installation.  |                       |
| <b>Won't start cycle when Start button is pressed.</b><br>1. If number display flashes, check to be sure the door is completely shut, and press and hold down Start for about 1 second.<br>2. See TEST #3, page 5.<br>3. See TEST #8, page 9.   |                       | <b>Heats in air cycle.</b><br>Heater. See TEST #4, page 6.   |                       |
| <b>Won't shut off when expected.</b><br>1. Check Pause/Cancel button.<br>2. Console electronics and housing assembly. See TEST #7, page 9.<br>3. Moisture sensor. See TEST #5, page 8.  |                       | <b>Shuts off before clothes are dry.</b><br>1. Check the dryness setting for auto cycles.<br>2. Check for full lint screen.<br>3. See DIAGNOSTIC: Displaying Inlet Air Flow, page 2.<br>4. Check for clogged vent.<br>5. Moisture sensor. See TEST #5, page 8.<br>6. Dryness level adjust. See TEST #5a, page 8. |                       |
| <b>Control won't accept selections.</b><br>Console electronics and housing assembly. See TEST #7, page 9.   |                       | <b>Pushing Power button causes dryer to beep, but no indicators light.</b><br>1. Check console electronics harness connections to the machine control.<br>2. Replace machine control electronics. See Accessing & Removing the Electronic Assemblies, page 9.  |                       |

## TROUBLESHOOTING TESTS

**NOTE:** These checks are done with the dryer unplugged or disconnected from power.

### TEST #1 Supply Connections

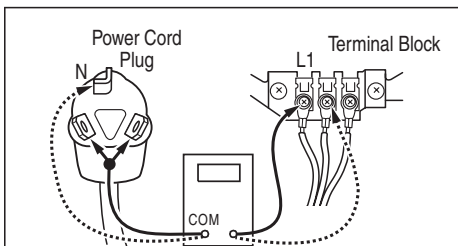
This test assumes that proper voltage is present at the outlet, and visual inspection indicates that the power cord is securely fastened to the terminal block (electric dryer) or wire harness connection (gas dryer).



**Figure 3.** Remove the cover plate.

#### ELECTRIC DRYER:

1. Unplug dryer or disconnect power.
2. Remove the cover plate from the top right corner of the back of the dryer. See figure 3.
3. With an ohmmeter, check for continuity between the neutral (N) terminal of the plug and the center contact on the terminal block. See figure 4.
  - If there is no continuity, replace the power cord and test the dryer.
  - If there is continuity, go to step 4.
4. In a similar way, check which terminal of the plug is connected to the left-most contact on the terminal block and make a note of it. This will be L1 (black wire) in the wiring diagram. See figure 4.



**Figure 4.** Plug-to-terminal connections for electric dryer.

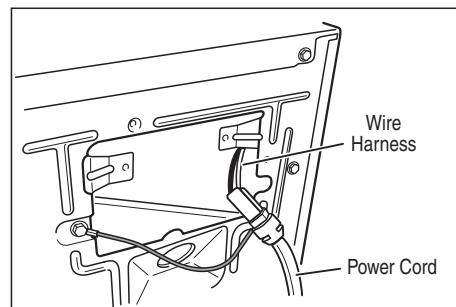
- When this is found, go to step 5.
- If neither of the plug terminals have continuity with the left-most contact of the terminal block, replace the power cord and test the dryer.

5. Access the machine control electronics without disconnecting any wiring to the control board. See Accessing & Removing the Electronic Assemblies, page 9.
6. With an ohmmeter, check for continuity between the L1 terminal of the plug (found in step 4) and P9-2 (black wire) on the machine control board. See figure 17, page 10.
  - If there is continuity, go to step 7.
  - If there is no continuity, check that wires to the terminal block are mechanically secure. If so, replace the main wire harness and test the dryer.
7. Check for continuity between the neutral (N) terminal of the plug and P8-3 (white wire) on the machine control board.
  - If there is continuity, go to step 8.
  - If there is no continuity and the mechanical connections of the wire are secure, replace the main wire harness.

8. Visually check that the P5 connector is inserted all the way into the machine control electronics.
9. Visually check that the console electronics and housing assembly is properly inserted into the front console.
10. If both visual checks pass, replace the console electronics and housing assembly.
11. Plug in dryer or reconnect power.
12. Perform the Console Buttons and Indicators Diagnostic test, page 1 to verify repair.
13. If indicators still do not light, perform TEST #2, page 5.

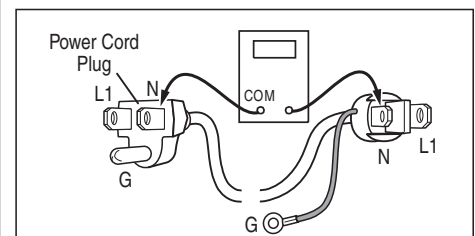
#### GAS DRYER:

1. Unplug dryer or disconnect power.
2. Remove the cover plate from the top right corner of the back of the dryer. See figure 3.
3. Check that the power cord is firmly connected to the dryer's wire harness. See figure 5.



**Figure 5.** Power cord-to-wire harness connection for gas dryer.

4. Access the machine control electronics without disconnecting any wiring to the control board. See figure 16, page 10.
5. With an ohmmeter, check for continuity between the neutral (N) terminal of the plug and P8-3 (white wire) on the machine control board. The left-hand side of figure 6 shows the position of the neutral terminal (N) on the power cord plug. Also see figure 17, page 10.
  - If there is continuity, go to step 6.
  - If there is no continuity, disconnect the white wire of the harness from the power cord at the location illustrated in figure 5. Test the continuity of the power cord neutral wire as illustrated in figure 6. If an open circuit is found, replace the power cord. Otherwise, go to step 6.



**Figure 6.** Power cord terminals, gas dryer.

6. In a similar way, check the continuity between the L1 terminal of the plug and P9-2 (black wire) on the control board.
  - If there is continuity, go to step 8.
  - If there is no continuity, check the continuity of the power cord in a similar way to that illustrated in figure 6, but for power cord's L1 wire.
    - If an open circuit is found, replace the power cord. Otherwise, replace the main harness.
7. Visually check that the P5 connector is inserted all the way into the machine control electronics.
8. Visually check that the console electronics and housing assembly is properly inserted into the front console.
9. If both visual checks pass, replace the console electronics and housing assembly.
10. Plug in dryer or reconnect power.
11. Perform the Console Buttons and Indicators Diagnostic test, page 1 to verify repair.
12. If indicators still do not light, perform TEST #2, page 5.



### TEST #2 Machine Control Power Check

This test is used to determine if power is present at the machine control electronics. This test assumes that TEST #1 has been completed.

**NOTE:** The drum light is controlled by the machine control on all models.

1. Plug in dryer or reconnect power.
2. Open the door.
  - If the drum light illuminates, then power is present at the machine control. Go to TEST #6, page 8.
  - If the drum light fails to illuminate, the problem may be as simple as a bad bulb. Replace bulb with a working bulb. If drum light still fails to illuminate, continue with step 3.
3. Unplug dryer or disconnect power.
4. Replace the machine control electronics.
5. Plug in dryer or reconnect power.
6. Perform the Console Buttons and Indicators Diagnostic test, page 1 to verify repair.

### TEST #3 Motor Circuit

This test will check the wiring to the motor and the motor itself. The following items are part of this motor system:

| Part of Motor System   | Electric Dryer | Gas Dryer |
|--|----------------|-----------|
| Harness/connection   | ✓              | ✓         |
| Thermal fuse   | ✓              | no        |
| Belt/belt switch   | ✓              | ✓         |
| Drive Motor  | ✓              | ✓         |
| Centrifugal switch   | ✓              | ✓         |
| Door switch  | ✓              | ✓         |
| Machine control electronics.<br>See ESD information, page 1. | ✓              | ✓         |

1. Unplug dryer or disconnect power.
2. Access the machine control electronics and measure the resistance across P8-4 and P9-1. See Accessing & Removing the Electronic Assemblies, page 9.
  - If resistance across P8-4 and P9-1 is in the range of 1 to 6 ohms, replace the machine control electronics.
  - Otherwise, go to step 3.
3. Check the wiring and components in the path between these measurement points by referring to the appropriate wiring diagram (gas or electric) on page 12.

**ELECTRIC DRYER ONLY:** Check the thermal fuse. See TEST #4b, page 7.

**ALL DRYERS:** Continue with step 4 below to test the remaining components in the motor circuit.

4. Check the belt switch and drive motor. Access the belt switch and drive motor by removing the back panel. See Removing the Back Panel, page 11. Slowly remove the drum belt from the spring-loaded belt switch pulley, gently letting the belt switch pulley down. See figure 7.

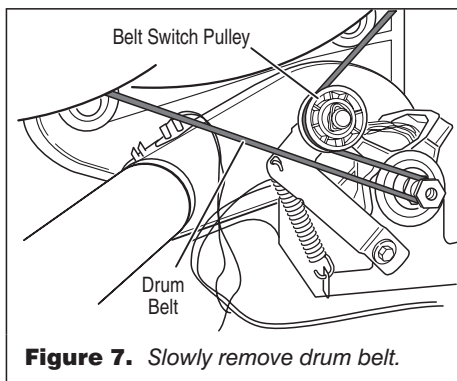


Figure 7. Slowly remove drum belt.

5. Remove the white connector from the drive motor switch. See figure 8.

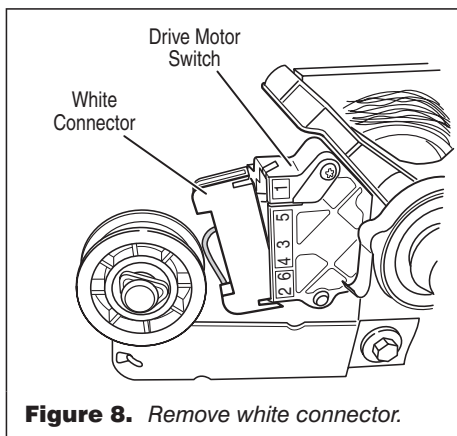


Figure 8. Remove white connector.

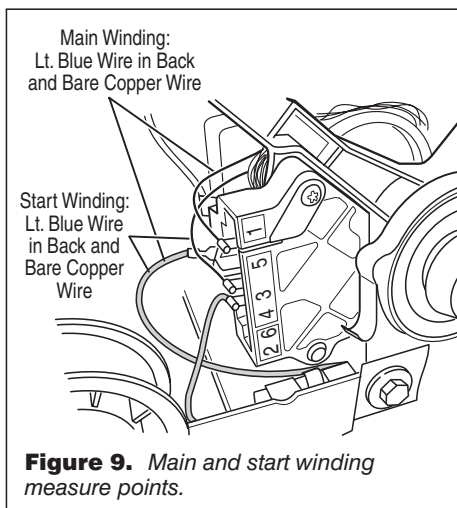


Figure 9. Main and start winding measure points.

6. Using figure 9, check for the resistance values of the motor's Main and Start winding coils as shown in the following table.

**NOTE:** Main and Start winding coils must be checked at the motor.

| Winding | Resistance $\Omega$ | Contact Points of Measurement  |
|---------|---------------------|--|
| MAIN    | 3.3–3.6             | Lt. blue wire in back at pin 4 and bare copper wire on pin 5 of black drive motor switch |
| START   | 2.7–3.0             | Lt. blue wire in back at pin 4 and bare copper wire on pin 3 of black drive motor switch |

→ If the resistance at the motor is correct, there is an open circuit between the motor and machine control electronics. Check for failed belt switch.

→ If the Start winding resistance is much greater than 3  $\Omega$ , replace the motor.

7. Check the belt switch by measuring resistance between the two light blue wires, as shown in figure 10, while pushing up the belt switch pulley.

→ If the resistance reading goes from infinity to a few ohms as pulley arm closes the switch, belt switch is OK. If not, replace the belt switch.

→ If belt switch is OK and there is still an open circuit, check and repair the wiring harness.

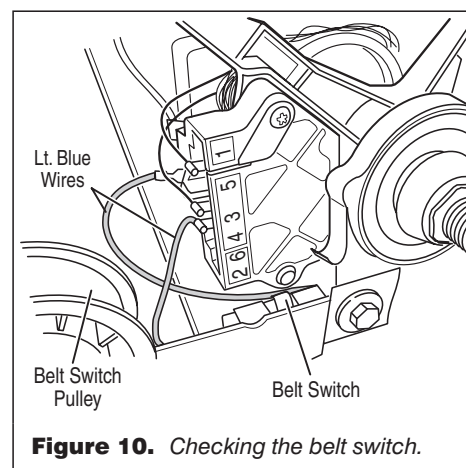


Figure 10. Checking the belt switch.

8. Door Switch problems can be uncovered in the Door Switch Diagnostic Test, page 1; however, if this was not done, the following can be done without applying power to the dryer. Connect an ohmmeter across P8-3 (neutral, white wire) and P8-4 (door, tan wire).

- With the door properly closed, the ohmmeter should indicate a closed circuit (0–2 Ω).
- If not, replace the door switch assembly.

**TEST #4 Heater**

This test is performed when either of the following situations occur:

- ✓ Dryer does not heat
- ✓ Heat will not shut off

This test checks the components making up the heating circuit. The following items are part of this system:

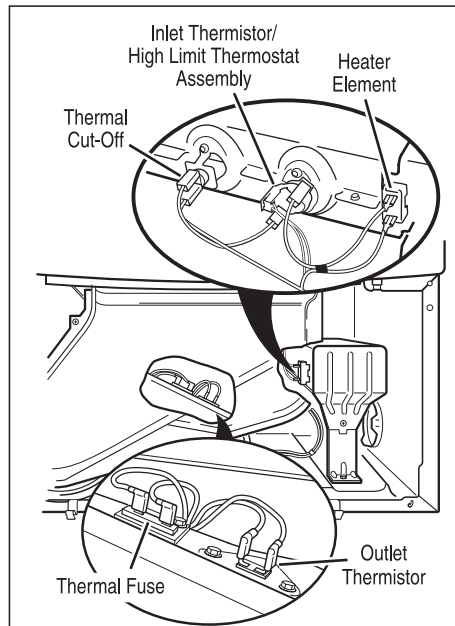
| Part of Heating System                                    | Electric Dryer | Gas Dryer |
|---|----------------|-----------|
| Harness/connection  | ✓              | ✓         |
| Heater relay  | ✓              | ✓         |
| Thermal cut-off   | ✓              | ✓         |
| Thermal fuse  | no             | ✓         |
| Inlet thermistor/high limit thermostat assembly           | ✓              | no        |
| high limit thermostat                                     | no             | ✓         |
| Heat element assembly                                     | ✓              | no        |
| Gas burner assembly                                       | no             | ✓         |
| Centrifugal switch  | ✓              | ✓         |
| Outlet thermistor   | ✓              | ✓         |
| Machine control electronics. See ESD information, page 1. | ✓              | ✓         |
| Console electronics and housing assembly                  | ✓              | ✓         |
| Gas supply  | no             | ✓         |

**Dryer does not heat:**

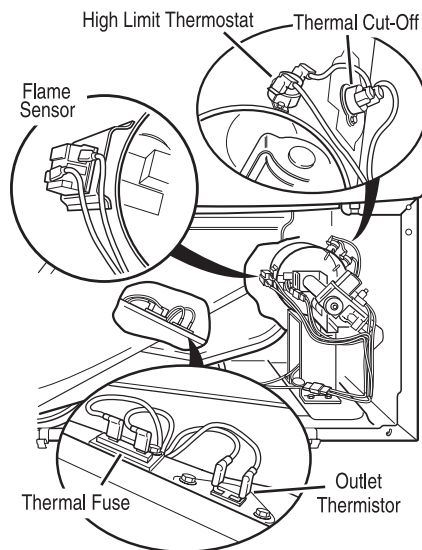
Locate the components using figure 11.

**ELECTRIC DRYER:**

1. Unplug dryer or disconnect power.
2. Remove the toe panel to access the thermal components. See Removing the Toe Panel, page 9.
3. Using an ohmmeter and referring to the wiring diagram, measure the resistance from the red wire terminal at the thermal cut-off to the red wire terminal at the heater.
  - If the resistance is about 10 Ω, go to step 5.
  - If an open circuit is detected, go to step 4.
4. Visually check the wire connections to the thermal cut-off, high limit thermostat, and heater. If connections look good, check for continuity across each of these components.
  - Replace the heater if it is electrically open.
  - Replace both the thermal cut-off and inlet thermistor/high limit thermostat



**Electric Dryer**



**Gas Dryer**

**Figure 11. Thermal Components, viewed from front.**

assembly if either the thermal cut-off or the high limit thermostat is electrically open.

5. If no open circuit is detected, remove the P4 connector, then measure the resistance between P4-3 (red wire) and P4-6 (red wire) at the connector. See figure 17, page 10 for connector location; and Accessing & Removing the Electronic Assemblies, page 9.
  - If 5–15 kΩ are measured, replace the machine control electronics.
  - If the resistance is less than 1 kΩ, replace the outlet thermistor.

**GAS DRYER:**

1. Unplug dryer or disconnect power.
2. Remove the toe panel to access the thermal components. See Removing the Toe Panel, page 9.
3. Perform TEST #4b, page 7. If the thermal fuse is OK, go to step 4.
4. Perform TEST #4c, page 7. If the thermal cut-off is OK, go to step 5.
5. Locate the high limit thermostat. See figure 11. Measure the continuity through it by connecting the meter probes on the red wire and black wire terminals.
  - If there is an open circuit, replace the high limit thermostat and the thermal cut-off.
  - Otherwise, go to step 6.
6. Perform TEST #4d, page 8. If this is OK, replace the machine control electronics.

**Heat will not shut off:**

1. Unplug dryer or disconnect power.
2. Access the machine control electronics. See figure 17, page 10 for connector location; and Accessing & Removing the Electronic Assemblies, page 9.
 

**ELECTRIC DRYER:** Remove the P4 connector, then measure the resistance between P4-3 (red wire) and P4-6 (red wire) at the connector.

**GAS DRYER:** Remove the P14 connector, then measure the resistance between P14-3 (red-white wire) and P14-6 (red-white wire) at the connector.

**ALL DRYERS:**

- If 5–15 kΩ are measured, replace the machine control electronics.
- If the resistance is greater than 20 kΩ, replace the outlet thermistor.

**TEST #4a Thermistors**

**Outlet Thermistor**

The machine control electronics monitors the exhaust temperature using the outlet thermistor, and cycles the heater relay on and off to maintain the desired temperature. Begin with an empty dryer and a clean lint screen.

1. Plug in dryer or reconnect power.
2. Start the Timed Dry cycle.
3. If after 60 seconds, F:22 or F:23 flashes in the display and the dryer shuts off, the thermistor or wire harness is either open or shorted.
  - Unplug dryer or disconnect power.
  - Check wire connections at the machine control electronics and thermistor. See Accessing &

Removing the Electronic Assemblies on page 9, and for thermistor location see figure 11, page 6.

- If wire connections are OK, check the outlet thermistor resistance per step 5, page 7.

- If F:22 or F:23 does not flash in the display, the connections to the thermistor are good. Therefore, check the exhaust temperature value at any or all of the temperature levels in question, using the Timed Dry cycle, and the following process:

Hold a glass bulb thermometer capable of reading from 90° to 180°F (32° to 82°C) in the center of the exhaust outlet. The correct exhaust temperatures are as follows:

| EXHAUST TEMPERATURES |                         |   |
|----------------------|-------------------------|---|
| TEMPERATURE SETTING  | HEAT TURNS OFF* °F (°C) | HEAT TURNS ON °F (°C)                             |
| High                 | 155°±5° (68°±3°)        | 10–15° (6–8°) below the heat turn off temperature |
| Medium               | 140°±5° (60°±3°)        |   |
| Low                  | 125°±5° (52°±3°)        |   |
| Extra Low            | 105°±5° (41°±3°)        |   |

\* The measured overshoot using the glass bulb thermometer in the exhaust outlet can be 30°F (17°C) higher.

- If the exhaust temperature is not within specified limits, or you have come here from step 3, perform the following:

**NOTE:** All thermistor resistance measurements must be made while dryer is unplugged or disconnected from power.

**ELECTRIC DRYER:** Remove the P4 connector, then measure the resistance between P4-3 (red wire) and P4-6 (red wire) at the connector.

- If the resistance is OK, check P4-3 and P4-6 to machine ground.
- If resistance is greater than 0 (zero), replace wiring harness.

**GAS DRYER:** Remove the P14 connector, then measure the resistance between P14-3 (red-white wire) and P14-6 (red-white wire) at the connector.

- If the resistance is OK, check P14-3 and P14-6 to machine ground.
- If resistance is greater than 0 (zero), replace wiring harness.

**ALL DRYERS:**

The following table gives temperatures and their associated resistance values.

| OUTLET THERMISTOR RESISTANCE |               |               |               |
|------------------------------|---------------|---------------|---------------|
| TEMP. °F (°C)                | RES. RANGE kΩ | TEMP. °F (°C) | RES. RANGE kΩ |
| 50° (10°)                    | 19.0–22.0     | 80° (27°)     | 8.5–10.5      |
| 60° (16°)                    | 14.8–16.8     | 90° (32°)     | 6.8–8.8       |
| 70° (21°)                    | 11.5–13.5     | 100° (38°)    | 5.0–7.0       |

- If the thermistor resistance does not agree with table, replace the outlet thermistor.
- If the thermistor resistance checks agree with the measurements in the table, replace the machine control electronics.

**Inlet Thermistor, Electric Dryer**

The machine control electronics monitors the inlet temperature using an inlet thermistor that is part of the high limit thermostat assembly.

- Activate the diagnostic test mode. See procedure on page 1.
- If F:24 or F:25 is a displayed error in the diagnostic test mode, the inlet thermistor or wire harness is either open or shorted.

- Unplug dryer or disconnect power.
- Check wire connections at the machine control electronics and inlet thermistor. See Accessing & Removing the Electronic Assemblies, page 9, and for inlet thermistor location see figure 11, page 6.
- If wire connections are good, remove the wires from the inlet thermistor/high limit thermostat assembly and replace the assembly.
- Plug in dryer or reconnect power.

- If F:24 or F:25 is not an error that is displayed in the diagnostic test mode, the connections to the thermistor are good. Therefore, check the thermistor's resistance value, using the following process:

- Unplug dryer or disconnect power.
- Access the heater assembly. See figure 2, page 3; and Removing the Toe Panel, page 9.
- Hold a glass bulb thermometer capable of reading from 68° to 176°F (20° to 80°C) in the heater assembly.
- Check the resistance of the inlet thermistor. See figure 11, page 6 for location.

| INLET THERMISTOR RESISTANCE |               |               |               |
|-----------------------------|---------------|---------------|---------------|
| TEMP. °F (°C)               | RES. RANGE kΩ | TEMP. °F (°C) | RES. RANGE kΩ |
| 68° (20°)                   | 61.2–63.7     | 131° (55°)    | 14.6–15.3     |
| 77° (25°)                   | 49.0–51.0     | 140° (60°)    | 12.1–12.8     |
| 86° (30°)                   | 39.5–41.1     | 149° (65°)    | 10.2–10.7     |
| 95° (35°)                   | 32.0–33.3     | 158° (70°)    | 8.5–9.0       |
| 104° (40°)                  | 26.1–27.2     | 167° (75°)    | 7.2–7.6       |
| 113° (45°)                  | 21.4–22.3     | 176° (80°)    | 6.1–6.5       |
| 122° (50°)                  | 17.6–18.5     |               |               |

The table above shows the resistance values that should be observed for the various temperatures at the heater assembly.

- If the thermistor resistance does not agree with the measurements in the table, replace the inlet thermistor/high limit thermostat assembly.
- If the thermistor resistance agrees with the measurements in the table, replace the machine control electronics.

**TEST #4b Thermal Fuse**

**ELECTRIC DRYER:** The thermal fuse is wired in series with the dryer drive motor.

**GAS DRYER:** The thermal fuse is wired in series with the dryer gas valve.

**ALL DRYERS:**

- Unplug dryer or disconnect power.
- Access the thermal fuse by first removing the toe panel. See Removing the Toe Panel, page 9; and for thermal fuse location see figure 11, page 6.
- Using an ohmmeter, check the continuity across the thermal fuse.
  - If the ohmmeter indicates an open circuit, replace the failed thermal fuse.

**TEST #4c Thermal Cut-Off**

If the dryer does not produce heat, check the status of the thermal cut-off.

- Unplug dryer or disconnect power.
- Access the thermal cut-off by first removing the toe panel. See Removing the Toe Panel, page 9.
- Using an ohmmeter, check the continuity across the thermal cut-off. See figure 11, page 6 for location.
- If the ohmmeter indicates an open circuit, perform the following:

**ELECTRIC DRYER:** Replace the failed thermal cut-off and inlet thermistor/high limit thermostat assembly. In addition, check for blocked or improper exhaust system, or failed heat element.

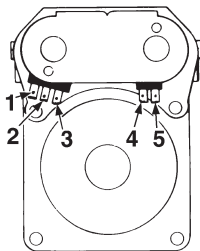


**GAS DRYER:** Replace the failed thermal cut-off and high limit thermostat. In addition, check for blocked or improper exhaust system.

**TEST #4d Gas Valve, Gas Dryer**

1. Unplug dryer or disconnect power.
2. Access the gas valve by removing the toe panel. See Removing the Toe Panel, page 9.
3. Use an ohmmeter to determine if a gas valve coil has failed. Remove harness plugs. Measure resistance across terminals. Readings should match those shown in the following chart. If not, replace coil.

| Terminals | Resistance $\Omega$ |
|-----------|---------------------|
| 1 to 2    | 1365 $\pm$ 60       |
| 1 to 3    | 560 $\pm$ 25        |
| 4 to 5    | 1325 $\pm$ 55       |



**IMPORTANT:**  
Be sure all harness wires are looped back through the strain relief after checking or replacing coils.

**TEST #5 Moisture Sensor**

**NOTE:** This test is started with the machine completely assembled.

This test is performed when an automatic cycle stops too soon, or runs much longer than expected.

**NOTE:** Dryer will shut down automatically after 2½ hours.

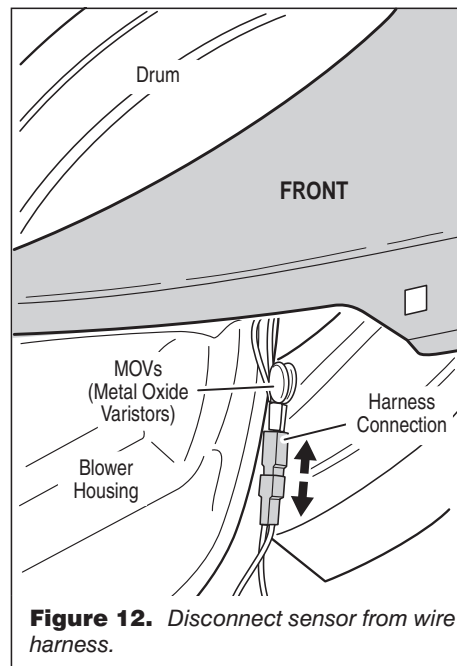
The following items are part of this system:

|   |
|---|
| Harness/connection  |
| Metal sensor strips                                       |
| Machine control electronics. See ESD information, page 1. |

1. Activate the diagnostic test mode and advance past saved fault codes. See procedure on page 1.
2. Open the dryer door. The dryer will beep and an alphanumeric number will be displayed.
3. Locate the two metal sensor strips on the face of the lint screen housing. Bridge these strips with a wet cloth or finger.
  - If a beep tone is heard and an alphanumeric number is displayed on the console, the sensor passes the test. Go to step 9.
  - If a beep tone is not heard, or a continuous beep tone is heard before bridging the moisture strips, continue with step 4.

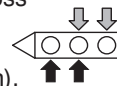
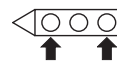
**NOTE:** Over drying may be caused by a short circuit in the sensor system.

4. Access the moisture sensor wires by removing the toe panel. See Removing the Toe Panel, page 9. Disconnect the sensor wires from the harness. See figure 12.



**Figure 12.** Disconnect sensor from wire harness.

5. Access the machine control electronics. See Accessing & Removing the Electronic Assemblies, page 9. Remove connector P13 from the circuit board. Check the main harness connections between the sensor harness and machine control for a short or open circuit.
  - Replace the main harness if necessary.
  - If harness is OK, continue with step 6.
6. Measure the resistance across the outermost contacts of the cable that includes the two red MOVs.
  - If a small resistance is measured, check for debris across moisture strips inside of the drum; clean if debris is present. If debris is not present, replace sensor harness.
  - If a small resistance is not measured, continue with step 7.
7. Measure the resistance across each of the outermost contacts and the center terminal (ground connection).
  - If a resistance less than infinity is measured, replace the sensor harness.



8. If moisture sensor diagnostic test passes, check the thermistor: Perform TEST #4a, page 6.

→ If the problem persists after replacing the moisture sensor and thermistor, replace the machine control electronics.

**TEST #5a Adjusting Customer-Focused Drying Modes**

**NOTE:** If the customer is complaining about the clothes being damp and the moisture sensor passes TEST #5, step 3, the total dry time can be lengthened by changing from a “CF1” (standard auto cycle) to a “CF2” (15% more drying time) or “CF3” (30% more drying time) auto cycle.

1. Activate the diagnostic test mode, and advance past saved fault codes. See Activating the Diagnostic Test Mode, page 1.
2. In diagnostic test mode, press and hold the Dryness Level button for 5 seconds. The dryer will beep and the current drying mode will be seen on the display. The factory default value is “CF1”.
3. To select a different drying mode, press the Dryness Level button again. The dryer display will flash and show CF2, CF3, or CF1.
4. With the display flashing the selected auto cycle mode, press the Start button to save the drying mode and exit diagnostics (the Start button in this mode does not start a drying cycle). The result will be stored in EEPROM of the control board, and will be retained after a power loss.
5. Press the Pause/Cancel button at any time to cancel changes and exit from this mode.

**TEST #6 Power Cube**

This test is performed when:

- ✓ None of the indicators light up
- ✓ No beep sound is heard

1. Unplug dryer or disconnect power.
2. Check to make sure the connector is fully inserted in the power cube board at P1.
3. Using an ohmmeter and referring to the appropriate wiring diagram on page 11, and figure 17 on page 10, check to be sure there is continuity between P2-1 on the power cube board and P003-3 on the console electronics user interface board.
  - If all connections are good, go to TEST #7, page 9.



- If TEST #7 fails also, replace the UI power cube and the console electronics and housing assembly. See Accessing & Removing the Electronic Assemblies, at right.

**TEST #7 Buttons and Indicators**

This test is performed when any of the following situations occurs during the Console Buttons and Indicators Diagnostic Test, page 1:

- ✓ None of the indicators light up
- ✓ No beep sound is heard
- ✓ Some buttons do not light indicators

**None of the indicators light up:**

1. See Diagnostic Guide/Before Servicing... on page 1.
2. Perform Test #1, page 4 to verify supply connections.
3. Perform steps in Accessing and Removing the Electronic Assemblies, at right, and visually check that the P5 connector is inserted all the way into the machine control electronics.
4. Visually check that the console electronics and housing assembly is properly inserted into the front console.
5. If both visual checks pass, replace the console electronics and housing assembly.
6. Plug in dryer or reconnect power.
7. Perform the Console Buttons and Indicators Diagnostic test, page 1 to verify repair.
8. If indicators still do not light, the machine control electronics has failed:
  - Unplug dryer or disconnect power.
  - Replace the machine control electronics.
  - Plug in dryer or reconnect power.
  - Perform the Console Buttons and Indicators Diagnostic test, page 1 to verify repair.

**No beep sound is heard:**

1. Perform steps in Accessing and Removing the Electronic Assemblies, at right, and visually check that the P5 connector is inserted all the way into the machine control electronics.
  - If visual check passes, replace the console electronics and housing assembly.
2. Plug in dryer or reconnect power.
3. Perform the Console Buttons and Indicators Diagnostic test, page 1 to verify repair.

4. If replacing the console electronics and housing assembly failed:
  - Unplug dryer or disconnect power.
  - Replace the machine control electronics.
  - Plug in dryer or reconnect power.
  - Perform the Console Buttons and Indicators Diagnostic test, page 1 to verify repair.

**Some buttons do not light indicators:**

1. Perform steps in Accessing and Removing the Electronic Assemblies, at right, and visually check that the console electronics and housing assembly is properly inserted into the front console.
  - If visual check passes, replace the console electronics and housing assembly.
2. Plug in dryer or reconnect power.
3. Perform the Console Buttons and Indicators Diagnostics test, page 1 to verify repair.

**TEST #8 Door Switch**

Activate the diagnostic test mode as shown on page 1, and perform the Door Switch Diagnostic test, page 1. Functionality is verified with a beep each time the door is closed and opened, and an alpha-numeric number appears in the display.

If any of the above conditions are not met:

- Unplug dryer or disconnect power.
- Check that the wires between the door switch and machine control electronics are connected. See figure 13 for switch location, and see Accessing and Removing the Electronic Assemblies, at right.

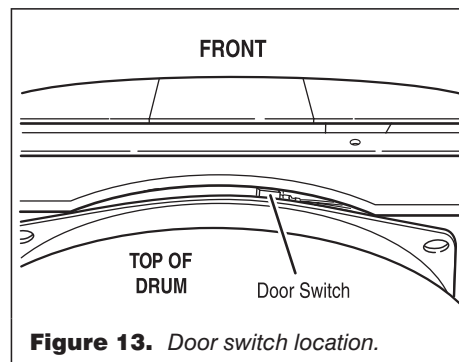


Figure 13. Door switch location.

- If the connections are OK, replace the wire and door switch assembly and retest.
- If wire and door switch assembly have been replaced and dryer still does not start, replace the machine control electronics.

**REMOVING THE TOE PANEL**

1. Unplug dryer or disconnect power.
2. Remove two screws below the toe panel.
3. Slide the toe panel down, then pull it out from the bottom. See figure 14.

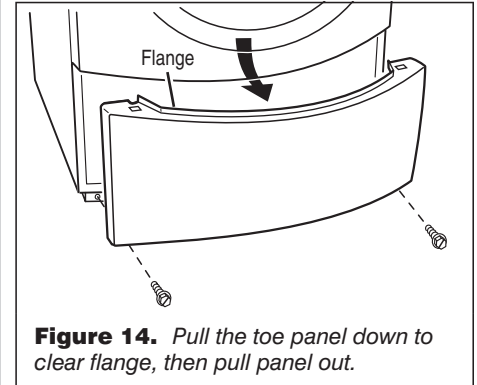


Figure 14. Pull the toe panel down to clear flange, then pull panel out.

**ACCESSING & REMOVING THE ELECTRONIC ASSEMBLIES**

There are three electronic assemblies: the Machine Control Electronics, the UI Power Cube, and the Console Electronics and Housing. See figure 15.

1. Unplug dryer or disconnect power.
2. Remove the three rear screws from the top panel, and slide the top panel to the rear to remove.

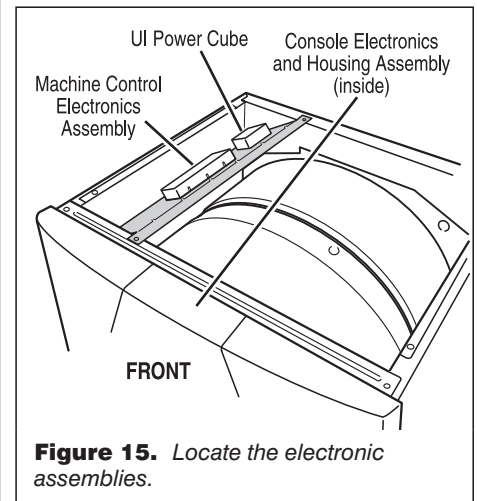
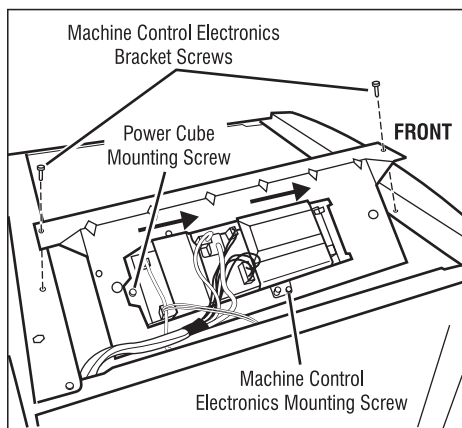


Figure 15. Locate the electronic assemblies.

**Machine Control Electronics**

1. Perform preceding steps 1 and 2, then remove the two screws that hold the machine control electronics bracket in place.
2. Slide the bracket over the top of the drum to access the machine control electronics connectors and mounting screw. See figure 16.



**Figure 16.** Remove machine control electronics from mounting bracket.

3. Remove all the wire connections to the machine control electronics. See figure 17.
4. Remove the screw holding the machine control electronics assembly to the mounting bracket. See figure 16.
5. There are two plastic legs on the front of the machine control electronics that slide under the mounting bracket.
  - ✓ There is one plastic leg on the rear of the machine control electronics that slides under the mounting bracket.
  - ✓ There is a locking tab on the bottom of the machine control electronics that snaps into the mounting bracket.
 Press the locking tab on the bottom of the machine control electronics and slide the assembly to the front, then lift.

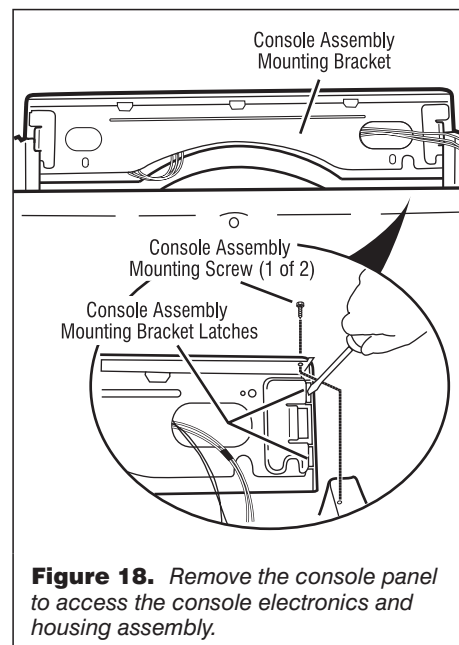
**UI Power Cube**

1. Perform steps 1 and 2 under Accessing and Removing the Electronic Assemblies, page 9.
2. Remove all wire connections to the UI power cube. See figure 17.
3. Remove the screw holding the UI power cube to the mounting bracket. See figure 16.
4. There are two plastic legs on the front of the UI power cube that slide under the mounting bracket. Slide cube out and remove.

**Console Electronics and Housing Assembly**

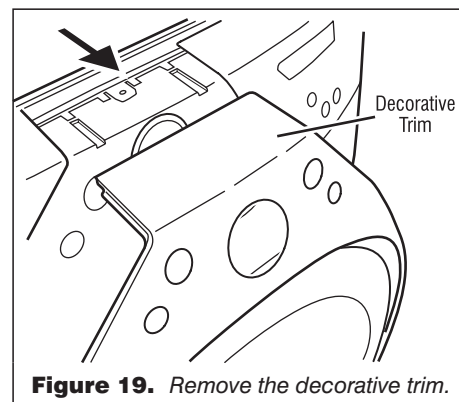
The console panel must be removed to access the console electronics and housing assembly.

1. Perform steps 1 and 2 under Accessing & Removing the Electronics Assemblies, page 9, and disconnect the P2 harness from the machine control, and the P2 connector from the UI power cube.
2. Remove the screw that fastens the assembly to the machine control mounting bracket (figure 16), and the two screws that fasten the console assembly to the machine (figure 18).

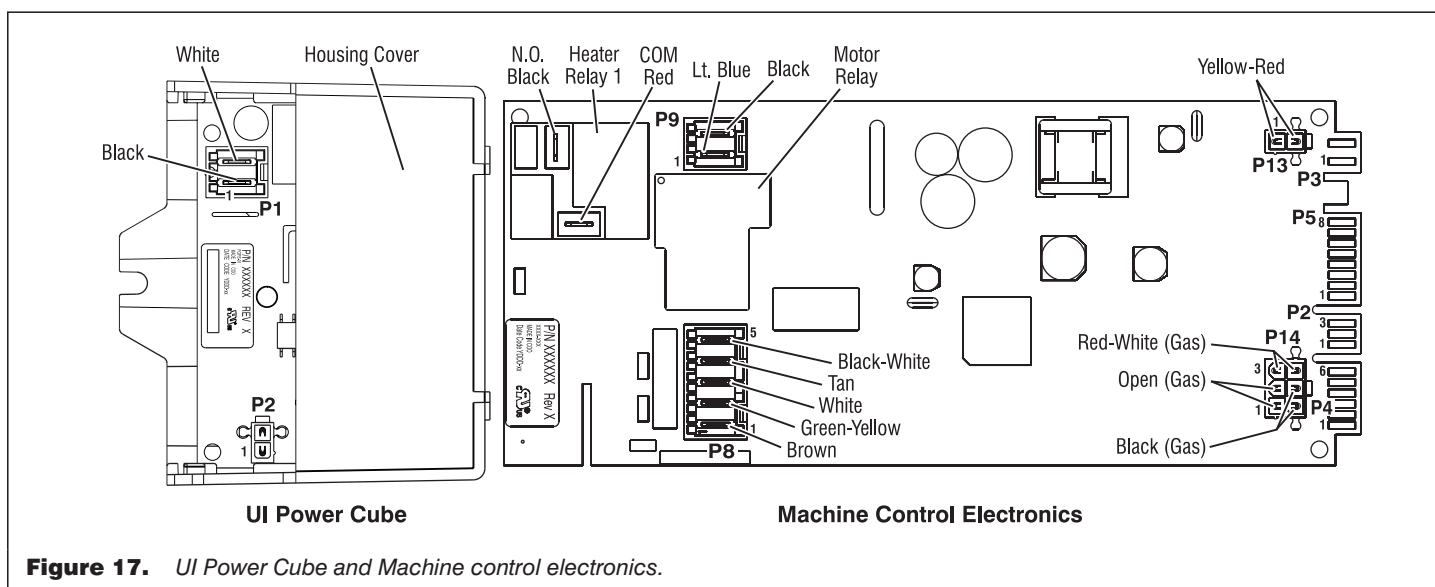


**Figure 18.** Remove the console panel to access the console electronics and housing assembly.

3. Gently remove the decorative trim that surrounds the door and upper console by unsnapping it from the machine. See figure 19.



**Figure 19.** Remove the decorative trim.



**Figure 17.** UI Power Cube and Machine control electronics.

4. Slide the console up and off of the machine. See figure 18, page 10.
5. The console mounting bracket is fastened to the console front panel with two latches at both sides of the console assembly. Unlatch the bracket gently with a screwdriver while pulling the mounting bracket assembly out. See figure 18, page 10.
6. The console electronics is split into two assemblies connected by two cables. Each assembly is fastened to the decorative piece by four plastic latches. To remove these assemblies, gently compress the plastic latches while pulling up on the assembly. For the cycle selector assembly, the cycle selector knob must first be removed by firmly pulling on it or gently prying it straight upward. See figure 20.

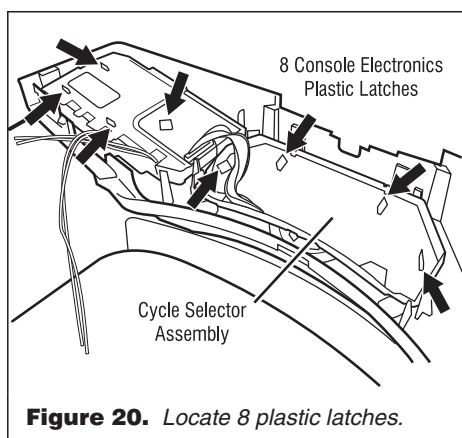


Figure 20. Locate 8 plastic latches.

### REMOVING THE BACK PANEL

1. Unplug dryer or disconnect power.
2. Remove the three rear screws from the top panel, and slide the top panel to the rear to remove.
3. Remove the cover plate, disconnect the power cord, and remove ground screw.
4. Remove the metal spring clip between the back panel and the exhaust outlet. See figure 21.

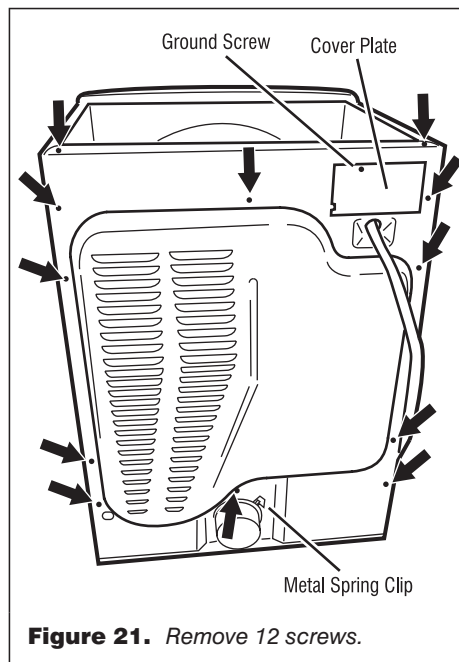


Figure 21. Remove 12 screws.

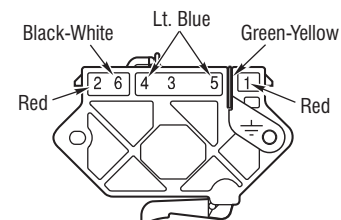
5. Remove the ten screws on the rear, and two screws on the top of the back panel. Pull the back panel off the machine.

**ELECTRIC DRYER:** In addition to the above, remove the terminal block from the back panel.

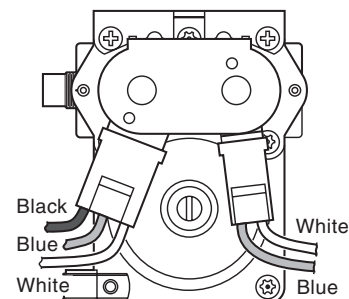
| Function | Contacts |    |     |     |    |  |
|----------|----------|----|-----|-----|----|--|
|          | 1M       | 2M | 3M  | 5M  | 6M |  |
| Start    |          |    | ●—● |     |    |  |
| Run      | ●—●      |    |     | ●—● |    |  |

● = Contacts closed

### Centrifugal Switch (Motor)



### Pluggable Drive Motor Switch



### Gas Valve, Gas Dryer

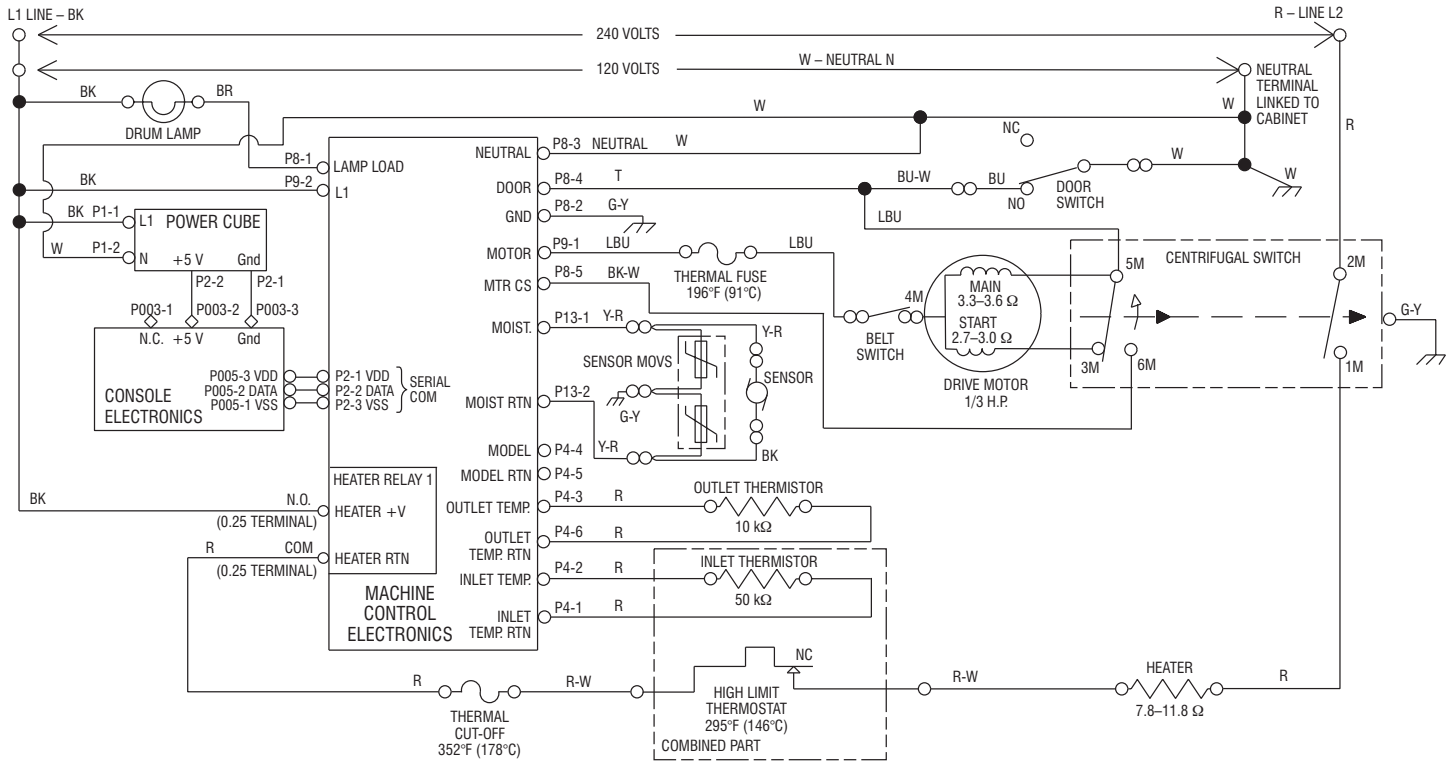
SOFTWARE COPYRIGHTED.  
 MANUFACTURED UNDER ONE OR MORE  
 OF THE FOLLOWING U.S. PATENTS:

|         |         |         |         |
|---------|---------|---------|---------|
| 4669200 | 4989347 | 6446357 | D314261 |
| 4700495 | 5066050 | 6597144 | D314262 |
| 4754556 | 5560120 | 6604298 | D457991 |
| 4840285 | 5809828 | 6685241 | D457992 |
| 4865366 | 6020698 | 6732447 | D495453 |
| 4899464 | 6047486 | 6784673 |         |
| 4908959 | 6199300 | 6819255 |         |



**ELECTRIC DRYER WIRING DIAGRAM**

**IMPORTANT:** Electrostatic (static electricity) discharge may cause damage to machine control electronics. See page 1



**GAS DRYER WIRING DIAGRAM**

