

Drying Tumblers

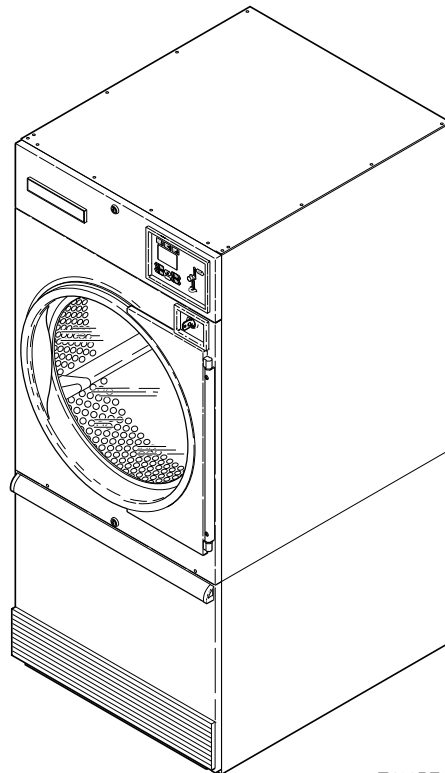
25 Pound (220 liter)

30 Pound Stack (300 liter)

30 Pound (270 liter)

35 Pound (350 liter)

Model Numbers in this manual
are shown on Page 5



T463PE1A

Table of Contents

Section 1 –Safety Information

Locating An Authorized Service Person.....	4
--	---

Section 2 –Introduction

Model Identification.....	5
Replacement Parts Information.....	6
Wiring Diagram	6
Nameplate Location	7
How Your Drying Tumbler Works.....	8

Section 3 –Troubleshooting

1. Tumbler does not start	9
2. Motor does not start	9
3. Motor overload protector cycles repeatedly	10
4. Motor runs but cylinder does not turn	10
5. Motor does not stop	10
6. Burner does not ignite.....	11
7. Burner ignites and goes out repeatedly.....	12
8. Burner does not shut off	12
9. Clothes do not dry.....	13
10. Tumbler overheating.....	13
11. Burners not burning properly.....	14
12. Cylinder door opens during operation	14

Section 4 –Grounding

Grounding Instructions	15
------------------------------	----

Section 5 –Service Procedures

13. Loading door assembly.....	17
14. Door hinge	17
15. Door handle	17
16. Front panel.....	18
17. Door switch (All Models).....	20
18. Control and coin drop assembly	22
19. Lint panel/drawer.....	23
20. Lint screen	23
21. Lint drawer seal	23
22. Lint drawer/panel switch	24
23. Junction box/Control Box.....	25
24. Fuse and fuse holder assembly	25
25. Cylinder rollers	26
26. Roller shaft.....	26
27. Cylinder and bearing assembly.....	27
28. Cylinder idler	28
29. Cylinder seals.....	30

30. Roller support and baffle assembly	31
31. Airflow switch	32
32. Stove high limit thermostat.....	33
33. Complete gas valve assembly	34
34. Burner tube assembly	36
35. Viewer window.....	36
36. Igniter assembly.....	36
37. Electronic ignition control	37
38. Thermistor	39
39. Cabinet thermostat	40
40. Heater element	41
41. Contactors and terminal block.....	42
42. Steam coil	43
43. Steam solenoid valve	43
44. Drive belt	44
45. Fan	46
46. Fan motor assembly	47
47. Drive motor.....	48

Section 6 –Adjustments

48. Leveling legs.....	51
49. Airflow switch adjustment.....	51
50. Cylinder door switch	52
51. Cylinder door strike	53

Section 7 –Special Tools.....55

© Copyright 2002, Alliance Laundry Systems LLC

All rights reserved. No part of the contents of this book may be reproduced or transmitted in any form or by any means without the expressed written consent of the publisher.

Section 1

Safety Information

Throughout this manual and on machine decals, you will find precautionary statements (“CAUTION”, “WARNING”, and “DANGER”) followed by specific instructions. These precautions are intended for the personal safety of the operator, user, servicer, and those maintaining the machine.

▲ DANGER

Danger indicates the presence of a hazard that **will** cause **severe** personal injury, death, or substantial property damage if the danger is ignored.

▲ WARNING

Warning indicates the presence of a hazard that **can** cause **severe** personal injury, death, or substantial property damage if the warning is ignored.

▲ CAUTION

Caution indicates the presence of a hazard that **will** or **can** cause **minor** personal injury or property damage if the caution is ignored.

Additional precautionary statements (“IMPORTANT” and “NOTE”) are followed by specific instructions.


IMPORTANT

The word “IMPORTANT” is used to inform the reader of specific procedures where minor machine damage will occur if the procedure is not followed.

NOTE

The word “NOTE” is used to communicate installation, operation, maintenance or servicing information that is important but not hazard related.

In the interest of safety, some general precautions relating to the operation of this machine follow.

	<h2>WARNING</h2>
<ul style="list-style-type: none">• Failure to install, maintain and/or operate this product according to the manufacturer’s instructions may result in conditions which can produce serious injury, death and/or property damage.• Do not repair or replace any part of the product or attempt any servicing unless specifically recommended or published in this Service Manual and unless you understand and have the skills to carry out the servicing.• Whenever ground wires are removed during servicing, these ground wires must be reconnected to ensure that the product is properly grounded and to reduce the risk of fire, electric shock, serious injury or death.	
<small>W006R2</small>	

Section 1 Safety Information

IMPORTANT INFORMATION: During the lifetime of your tumbler, it may require service. The information contained in this manual was written and is intended for use by qualified service technicians who are familiar with the safety procedures required in the repair of your tumbler, and who are equipped with the proper tools and testing equipment.



WARNING

To reduce the risk of electric shock, fire, explosion, serious injury or death:

- Disconnect electric power to the tumbler before servicing.
- Never start the tumbler with any guards/panels removed.
- Whenever ground wires are removed during servicing, these ground wires must be reconnected to ensure that the tumbler is properly grounded.

W240



WARNING

Repairs that are made to your products by unqualified persons can result in hazards due to improper assembly or adjustments subjecting you or the inexperienced person making such repairs to the risk of serious injury, electrical shock or death.

W007



CAUTION

If you or an unqualified person perform service on your product, you must assume the responsibility for any personal injury or property damage which may result. The manufacturer will not be responsible for any injury or property damage arising from improper service and/or service procedures.

W008

NOTE: The WARNING and IMPORTANT instructions appearing in this manual are not meant to cover all possible conditions and situations that may occur. It must be understood that common sense, caution and carefulness are factors which CANNOT be built into this tumbler. These factors MUST BE supplied by the person(s) installing, maintaining or operating the tumbler.

Always contact your dealer, distributor, service agent or the manufacturer on any problems or conditions you do not understand.

Locating An Authorized Service Person

Alliance Laundry Systems is not responsible for personal injury or property damage resulting from improper service. Review all service information before beginning repairs.

Warranty service must be performed by an authorized technician, using authorized factory parts. If service is required after the warranty expires, Alliance Laundry Systems also recommends contacting an authorized technician and using authorized factory parts.

Section 2 Introduction

Model Identification

Information in this manual is applicable to these tumbler models:

	Gas		Steam/Thermal Oil		Electric	
25 Pound (220 Liter)	DA0220SRG	JT0220SRG	DC0220SSH	JC0220SSL	DC0220SEL	JT0220SEL
	DC0220SFG	LT0220SRG	DC0220SSL	JT0220SSH	DT0220SEL	PC0220SEL
	DC0220SRG	PC0220SFG	DT0220SSH	JT0220SSL	GC0220SEL	PT0220SEL
	DT0220SFG	PC0220SRG	DT0220SSL	PC0220SSL	GT0220SEL	SC0220SEL
	DT0220SRG	PT0220SFG	GC0220SSL	SC0220SSH	JC0220SEL	ST0220SEL
	GC0220SRG	PT0220SRG	GT0220SSH	SC0220SSL		
	GT0220SRG	SA0220SRG	GT0220SSL	ST0220SSH		
	JA0220SRG	SC0220SFG	JC0220SSH	ST0220SSL		
	JC0220SFG	SC0220SRG				
	JC0220SRG	ST0220SFG				
	JT0220SFG	ST0220SRG				
30 Pound (270 Liter)	DA0270SRG	JT0270SRG	DC0270SSH	JC0270SSL	DC0270SEL	JT0270SEL
	DC0270SFG	LT0270SRG	DC0270SSL	JT0270SSH	DT0270SEL	PC0270SEL
	DC0270SRG	PC0270SFG	DT0270SSH	JT0270SSL	GC0270SEL	PT0270SEL
	DT0270SFG	PC0270SRG	DT0270SSL	PC0270SSL	GT0270SEL	SC0270SEL
	DT0270SRG	PT0270SFG	GC0270SSL	SC0270SSH	JC0270SEL	ST0270SEL
	GC0270SRG	PT0270SRG	GT0270SSH	SC0270SSL		
	GT0270SRG	SA0270SRG	GT0270SSL	ST0270SSH		
	JA0270SRG	SC0270SFG	JC0270SSH	ST0270SSL		
	JC0270SFG	SC0270SRG				
	JC0270SRG	ST0270SFG				
	JT0270SFG	ST0270SRG				
30 Pound Stacked (300 Liter)	DC0300DFG	NT0300DRG	DC0300DSH	JT0300DSL	DC0300DEL	PC0300DEL
	DC0300DRG	PC0300DFG	DC0300DSL	PC0300DSL	DT0300DEL	PT0300DEL
	DT0300DFG	PC0300DRG	DT0300DSH	SC0300DSH	JC0300DEL	SC0300DEL
	DT0300DRG	PT0300DFG	DT0300DSL	SC0300DSL	JT0300DEL	ST0300DEL
	JA0300DRG	PT0300DRG	JC0300DSH	ST0300DSH		
	JC0300DFG	SA0300DRG	JC0300DSL	ST0300DSL		
	JC0300DRG	SC0300DFG	JT0300DSH			
	JT0300DFG	SC0300DRG				
	JT0300DRG	ST0300DFG				
	LT0300DRG	ST0300DRG				
35 Pound (350 Liter)	AT0350SRG	LT0350SRG	AT0350SSH	JT0350SSH	DC0350SEL	PC0350SEL
	DA0350SRG	PC0350SFG	AT0350SSL	JT0350SSL	DT0350SEL	PT0350SEL
	DC0350SFG	PC0350SRG	DC0350SSH	PC0350SSL	JC0350SEL	SC0350SEL
	DC0350SRG	PT0350SFG	DC0350SSL	PT0350SSL	JT0350SEL	ST0350SEL
	DT0350SFG	PT0350SRG	DT0350SSH	SC0350SSH		
	DT0350SRG	SA0350SRG	DT0350SSL	SC0350SSL		
	JA0350SRG	SC0350SFG	JC0350SSH	ST0350SSH		
	JC0350SFG	SC0350SRG	JC0350SSL	ST0350SSL		
	JC0350SRG	ST0350SFG				
	JT0350SFG	ST0350SRG				
	JT0350SRG					

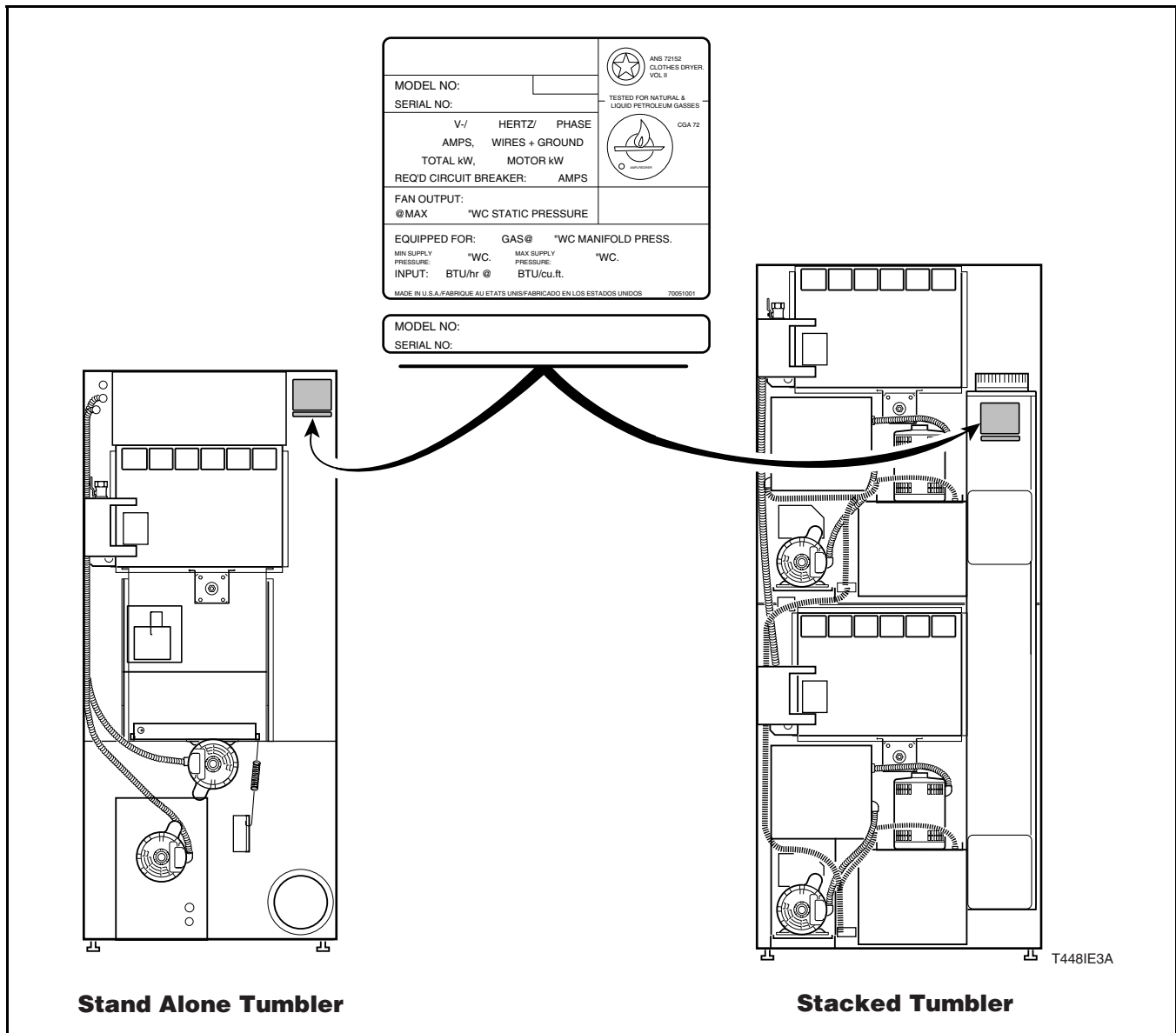
Replacement Parts Information

If replacement parts are required, contact the source from whom you purchased the unit or contact Alliance Laundry Systems at (920) 748-3950 for the name and address of the nearest authorized parts distributor. For technical assistance, call (920) 748-3121.

Wiring Diagram

The Wiring Diagram is located behind the control panel on the Stand Alone Tumbler and inside the junction box cover on the Stacked Tumbler.

Nameplate Location



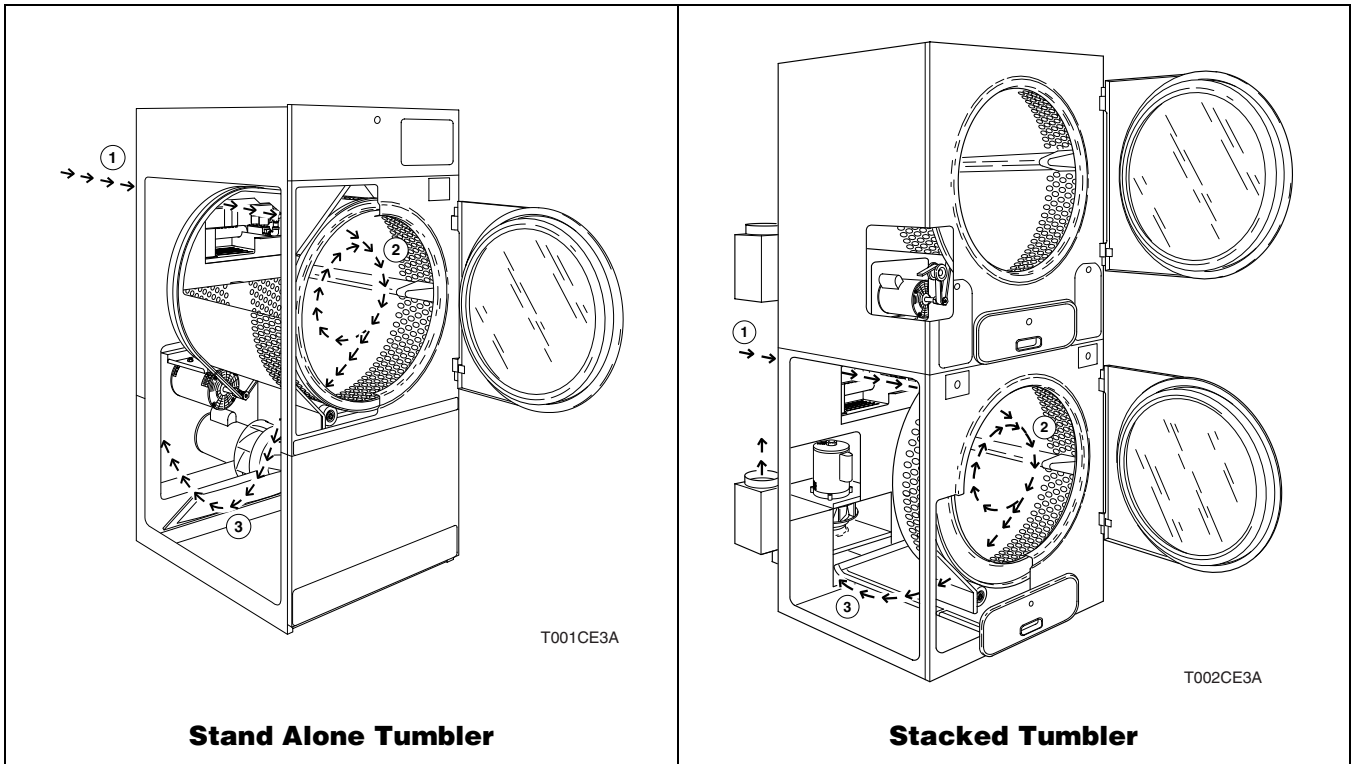
IMPORTANT: When writing for information on any tumbler, be sure to mention model and serial numbers. Model and serial numbers will be found on nameplate as shown above.

SAFETY WARNINGS AND DECALS

Safety Warnings and Decals have been provided in key locations to remind you of important precautions for the safe operation and maintenance of your tumbler. Please take the time to review these warnings before proceeding with service work.

All decals have been designed and applied to withstand washing and cleaning. Decals should be checked periodically to be sure they have not been damaged, removed, or painted. Refer to the parts manual for ordering replacement decals.

How Your Drying Tumbler Works



The drying tumbler uses heated air to dry loads of laundry.

- ① When the motor is started, the exhaust fan pulls room temperature air in through the air intake at the rear of the drying tumbler and over the heat source (burner flame for gas, heating element for electric, and coil for steam).
- ② The heated air moves into the cylinder, where it is circulated through the wet load by the tumbling action of the cylinder.
- ③ The air then passes through the lint filter, exhaust fan, and is vented to the outdoors.

Section 3

Troubleshooting



WARNING

To reduce the risk of electric shock, fire, explosion, serious injury or death:

- Disconnect electric power to the tumbler before servicing.
- Close gas shut-off valve to gas tumbler before servicing.
- Close steam valve to steam tumbler before servicing.
- Never start the tumbler with any guards/panels removed.
- Whenever ground wires are removed during servicing, these ground wires must be reconnected to ensure that the tumbler is properly grounded.

W002


IMPORTANT: Refer to wiring diagram for aid in testing tumbler components.

1. TUMBLER DOES NOT START

POSSIBLE CAUSE	TO CORRECT
Cylinder door is open.	<ul style="list-style-type: none"> • Close cylinder door completely.
Drying timer is in an off position. (Manual Timer Models)	<ul style="list-style-type: none"> • Turn drying timer on.
Incorrect amount of coins inserted into coin drop.	<ul style="list-style-type: none"> • Check that proper amount of coins are inserted.
Inoperative coin drop.	<ul style="list-style-type: none"> • Test coin drop and replaced if inoperative.
PUSH-TO-START button not properly activated. (Manual Timer Models)	<ul style="list-style-type: none"> • Press and hold in PUSH-TO-START button for three seconds.
Electrical power off or circuit breaker fuse blown.	<ul style="list-style-type: none"> • Check power supply, or replace fuses.
Lint panel/drawer open.	<ul style="list-style-type: none"> • Close and lock lint panel/drawer.

2. MOTOR DOES NOT START

POSSIBLE CAUSE	TO CORRECT
Electrical power off or circuit breaker fuse blown.	Check power supply, or replace fuses.
Loading door switch or lint drawer switch not closed or inoperative switch.	Close door, drawer or test switch and replace if inoperative.
Door switch improperly adjusted.	Refer to SECTION 6 in this manual for door switch adjustment.
Start circuit not complete.	Press and hold in PUSH-TO-START button for three seconds.
Inoperative motor.	Have motor tested and replace if inoperative.
Broken, loose, or incorrect wiring.	Refer to wiring diagram.
Fan or fan motor binding.	Replace fan or motor assembly.
Cylinder or cylinder motor binding.	Replace cylinder, bearing, rollers, or motor assembly.

	<h2 style="margin: 0;">WARNING</h2>
<p>To reduce the risk of electric shock, fire, explosion, serious injury or death:</p> <ul style="list-style-type: none"> • Disconnect electric power to the tumbler before servicing. • Close gas shut-off valve to gas tumbler before servicing. • Close steam valve to steam tumbler before servicing. • Never start the tumbler with any guards/panels removed. • Whenever ground wires are removed during servicing, these ground wires must be reconnected to ensure that the tumbler is properly grounded. 	
<small>W002</small>	

3. MOTOR OVERLOAD PROTECTOR CYCLES REPEATEDLY

POSSIBLE CAUSE	TO CORRECT
Incorrect voltage	<ul style="list-style-type: none"> • Refer to <i>Installation Instructions</i> (supplied with tumbler) for electrical requirements.
Clothes load is too large.	<ul style="list-style-type: none"> • Remove part of load.
Clothes cylinder is binding.	<ul style="list-style-type: none"> • Check cylinder for binding.
Inadequate wiring.	<ul style="list-style-type: none"> • Check with local power company to ensure that wiring is adequate.
Inadequate make-up air.	<ul style="list-style-type: none"> • Refer to <i>Installation Instructions</i> (supplied with tumbler) for make-up air requirements.
Lint buildup around tumbler, poor housekeeping.	<ul style="list-style-type: none"> • Clean lint accumulation on and around the motors.
Broken, loose or incorrect wiring.	<ul style="list-style-type: none"> • Refer to wiring diagram.

4. MOTOR RUNS BUT CYLINDER DOES NOT TURN

POSSIBLE CAUSE	TO CORRECT
Broken cylinder belt.	<ul style="list-style-type: none"> • Replace cylinder belt.
Cylinder is binding.	<ul style="list-style-type: none"> • Check cylinder for binding.

5. MOTOR DOES NOT STOP

POSSIBLE CAUSE	TO CORRECT
Inoperative door switch or lint drawer switch.	<ul style="list-style-type: none"> • Test switches and replace if inoperative.
Inoperative coin drop.	<ul style="list-style-type: none"> • Test coin drop and replace if inoperative.
Incorrect wiring.	<ul style="list-style-type: none"> • Refer to wiring diagram.
Electronic control inoperative.	<ul style="list-style-type: none"> • Replace electronic control.



WARNING

To reduce the risk of electric shock, fire, explosion, serious injury or death:


- Disconnect electric power to the tumbler before servicing.
- Close gas shut-off valve to gas tumbler before servicing.
- Close steam valve to steam tumbler before servicing.
- Never start the tumbler with any guards/panels removed.
- Whenever ground wires are removed during servicing, these ground wires must be reconnected to ensure that the tumbler is properly grounded.

W002

6. BURNER DOES NOT IGNITE

POSSIBLE CAUSE	TO CORRECT
Improper or inadequate exhaust system.	<ul style="list-style-type: none"> • Refer to <i>Installation Instructions</i> (supplied with tumbler) for exhaust system requirements.
Blown fuses or tripped circuit breaker in external electric supply line.	<ul style="list-style-type: none"> • Check fuses or circuit breaker.
Drying selector set in the “Cool Down” portion of cycle.	<ul style="list-style-type: none"> • Reset switch on microprocessor.
Inoperative cabinet thermostat.	<ul style="list-style-type: none"> • Test thermostat and replace if inoperative.
Insufficient gas supply.	<ul style="list-style-type: none"> • Open partially closed gas shut-off valve, or correct low gas pressure. Check manifold pressure and adjust to pressure specified on rating plate. If pressure cannot be obtained, have your local gas company check main gas pressure.
Incorrect orifices.	<ul style="list-style-type: none"> • Tumbler is equipped for type of gas specified on rating plate. If orifices are different from that specified on rating plate, obtain and install correct orifices.
Lint buildup.	<ul style="list-style-type: none"> • Clean lint compartment. Check damper for lint accumulation. Check ductwork for lint build-up.
Inadequate duct work and make-up air.	<ul style="list-style-type: none"> • Refer to <i>Installation Instructions</i> (supplied with tumbler) to ensure that ductwork and make-up air openings are sized accurately.
Inoperative airflow switch.	<ul style="list-style-type: none"> • Test switch and replace if inoperative.
Airflow switch out of adjustment.	<ul style="list-style-type: none"> • Refer to <i>SECTION 6</i> in this manual for airflow switch adjustment.
Lint drawer/panel not closed properly.	<ul style="list-style-type: none"> • Unlock and open lint drawer/panel, close drawer/panel on tumbler (ensuring a tight fit) then lock.
Broken, loose, or incorrect wiring.	<ul style="list-style-type: none"> • Refer to wiring diagram.
Improper igniter to burner tab clearances.	<ul style="list-style-type: none"> • Set gap as described in <i>SECTION 5, Paragraph 36</i>.
Valve coils inoperative.	<ul style="list-style-type: none"> • Check valve coils and replace if necessary.
Blown fuse on tumbler.	<ul style="list-style-type: none"> • Check fuse (located in junction box) and replace if necessary.
Gas shut-off valve in the closed position.	<ul style="list-style-type: none"> • Open shut-off valve.
Ground wire from Instant Electronic Ignition (IEI) board not connected to ground terminal.	<ul style="list-style-type: none"> • Connect ground wire to ground terminal.
Inoperative IEI control.	<ul style="list-style-type: none"> • Replace IEI control.
Inoperative motor switch.	<ul style="list-style-type: none"> • Replace motor.

(continued)

	<h2 style="margin: 0;">WARNING</h2>
<p>To reduce the risk of electric shock, fire, explosion, serious injury or death:</p> <ul style="list-style-type: none"> • Disconnect electric power to the tumbler before servicing. • Close gas shut-off valve to gas tumbler before servicing. • Close steam valve to steam tumbler before servicing. • Never start the tumbler with any guards/panels removed. • Whenever ground wires are removed during servicing, these ground wires must be reconnected to ensure that the tumbler is properly grounded. 	
<small>W002</small>	

6. BURNER DOES NOT IGNITE (continued)

POSSIBLE CAUSE	TO CORRECT
Instant Electronic Ignition (IEI) control in safety lockout.	<ul style="list-style-type: none"> • Reset IEI control by opening and closing tumbler door. (Non-EU models only) • Reset IEI by pressing reset button on back of unit. (EU models only)

7. BURNER IGNITES AND GOES OUT REPEATEDLY

POSSIBLE CAUSE	TO CORRECT
Insufficient gas pressure.	<ul style="list-style-type: none"> • Check gas supply and pressure.
Inoperative cabinet thermostat.	<ul style="list-style-type: none"> • Test thermostat and replace if inoperative.
Improper or inadequate exhaust system.	<ul style="list-style-type: none"> • Refer to <i>Installation Instructions</i> (supplied with tumbler) for exhaust systems requirements.
Improper orifices.	<ul style="list-style-type: none"> • Tumbler is equipped for type of gas specified on rating plate. If orifices are different from that specified on rating plate, obtain and install correct orifices.
Broken, loose or incorrect wiring.	<ul style="list-style-type: none"> • Refer to wiring diagram.
Excessive igniter to burner clearance.	<ul style="list-style-type: none"> • Set gap as described in <i>SECTION 5, Paragraph 36</i>.
Inadequate make-up air.	<ul style="list-style-type: none"> • Refer to <i>Installation Instructions</i> (supplied with tumbler) for make-up air requirements.

8. BURNER DOES NOT SHUT OFF

POSSIBLE CAUSE	TO CORRECT
Impurities on gas valve seat, preventing valve from closing.	<ul style="list-style-type: none"> • Replace gas valve.
Incorrect wiring.	<ul style="list-style-type: none"> • Refer to wiring diagram.



WARNING

To reduce the risk of electric shock, fire, explosion, serious injury or death:

- Disconnect electric power to the tumbler before servicing.
- Close gas shut-off valve to gas tumbler before servicing.
- Close steam valve to steam tumbler before servicing.
- Never start the tumbler with any guards/panels removed.
- Whenever ground wires are removed during servicing, these ground wires must be reconnected to ensure that the tumbler is properly grounded.


W002

9. CLOTHES DO NOT DRY

POSSIBLE CAUSE	TO CORRECT
Not enough heating time allocated for the load.	• Start tumbler cycle again with enough time to dry load.
Burner does not ignite.	• Refer to <i>Paragraph 6</i> .
Too much water in articles being dried.	• Remove excess water.
Clothes load too large.	• Remove part of load. Maximum load is 25 lb. dry weight (cotton load) for 25 lb. Tumbler, etc.
Improper or inadequate exhaust system.	• Refer to <i>Installation Instructions</i> (supplied with tumbler) for exhaust system requirements.
Burner ignites and goes out repeatedly.	• Refer to <i>Paragraph 7</i> .
Drying selector improperly set.	• Set selector for higher setting.
Incorrect voltage.	• Refer to <i>Installation Instructions</i> (supplied with tumbler) for electrical requirements.
Inadequate make-up air.	• Refer to <i>Installation Instructions</i> (supplied with tumbler) for make-up air requirements.
Exhaust duct to the outside blocked.	• Clean duct to remove blockage.
Clogged lint screen.	• Clean lint screen.
Inoperative thermistor	• Replace thermistor.
Exhaust damper binding.	• Adjust damper so it turns freely.

10. TUMBLER OVERHEATING

POSSIBLE CAUSE	TO CORRECT
Incorrect main burner orifices.	• Obtain and install correct orifices.
Gas pressure too high or low.	• Adjust gas pressure as specified on rating plate.
Inadequate make-up air.	• Refer to <i>Installation Instructions</i> (supplied with tumbler) for make-up air requirements.
Lint buildup.	• Clean lint compartment. Check damper for lint accumulation. Check ductwork for lint build-up.
Restricted or inadequate exhaust system.	• Remove obstruction or lint build up from exhaust ductwork. Refer to <i>Installation Instructions</i> (supplied with tumbler) for exhaust system requirements.
Inoperative thermistor sensor.	• Check wiring to ensure temperature sensor is connected. Replace temperature sensor if necessary.
Exhaust damper binding.	• Adjust damper so it turns freely.

	<h2 style="margin: 0;">WARNING</h2>
<p>To reduce the risk of electric shock, fire, explosion, serious injury or death:</p> <ul style="list-style-type: none"> • Disconnect electric power to the tumbler before servicing. • Close gas shut-off valve to gas tumbler before servicing. • Close steam valve to steam tumbler before servicing. • Never start the tumbler with any guards/panels removed. • Whenever ground wires are removed during servicing, these ground wires must be reconnected to ensure that the tumbler is properly grounded. 	
<small>W002</small>	

11. BURNERS NOT BURNING PROPERLY

POSSIBLE CAUSE	TO CORRECT
Dirt in burners.	<ul style="list-style-type: none"> • Disassemble burners and blow out the dirt.
Gas pressure too high or low.	<ul style="list-style-type: none"> • Check rating plate on back of tumbler for correct gas pressure.
Incorrect orifices.	<ul style="list-style-type: none"> • Tumbler is equipped for the type of gas specified on rating plate. If orifices are different from that specified on rating plate, obtain and install correct orifices.
Restricted or blocked exhaust duct.	<ul style="list-style-type: none"> • Disassemble and clean exhaust system.
Airflow switch not functioning properly.	<ul style="list-style-type: none"> • Replace airflow switch.
Inadequate make-up air.	<ul style="list-style-type: none"> • Refer to <i>Installation Instructions</i> (supplied with tumbler) for make-up air requirements.

12. CYLINDER DOOR OPENS DURING OPERATION

POSSIBLE CAUSE	TO CORRECT
Tumbler improperly leveled.	<ul style="list-style-type: none"> • Refer to <i>SECTION 6</i> in this manual for leveling leg adjustment.
Excessive load in tumbler.	<ul style="list-style-type: none"> • Remove part of load and restart tumbler.

NOTE: All tumbler panels must be in place and on the machine for proper operation.

Section 4

Grounding



WARNING

To reduce the risk of electric shock, fire, explosion, serious injury or death:

- Disconnect electric power to the tumbler before servicing.
- Close gas shut-off valve to gas tumbler before servicing.
- Close steam valve to steam tumbler before servicing.
- Never start the tumbler with any guards/panels removed.
- Whenever ground wires are removed during servicing, these ground wires must be reconnected to ensure that the tumbler is properly grounded.

W002



WARNING

To reduce the risk of fire and electric shock, check with a qualified serviceperson for proper grounding procedures. Improper connection of the equipment grounding conductor may result in a risk of electric shock.

W068R1



WARNING

To reduce the risk of fire and electric shock, if electrical supply is coming from a three phase service, **DO NOT** connect a “High Leg” or “Stinger Leg” to a single phase machine. On a three phase machine, if there is a “High Leg” or “Stinger Leg” it should be connected to L3.

W069

Grounding Instructions

This drying tumbler must be grounded. In the event of malfunction or breakdown, grounding will reduce the risk of electric shock by providing the path of least resistance for electric current. This tumbler must be connected to a grounded metal, permanent wiring system; or an equipment grounding conductor must be run with the circuit conductors and connected to the appropriate ground location.

NOTE: To ensure protection against shock, this tumbler **MUST** be electrically grounded in accordance with local codes, or in the absence of local codes, with the latest edition of the National Electrical Code ANSI/NFPA No. 70. In Canada the electrical connections are to be made in accordance with CSA C22.1 or the latest edition of the Canadian Electrical Code, Part I and/or local codes. Electrical work should be done by a qualified electrician.



WARNING

All electrical connections should be made by a qualified electrician.

To reduce the risk of electrical shock, de-energize the electrical circuit being connected to the tumbler before making any electrical connections. Never attempt to connect a live circuit.

W070

Section 5

Service Procedures



WARNING

To reduce the risk of electric shock, fire, explosion, serious injury or death:

- Disconnect electric power to the tumbler before servicing.
- Close gas shut-off valve to gas tumbler before servicing.
- Close steam valve to steam tumbler before servicing.
- Never start the tumbler with any guards/panels removed.
- Whenever ground wires are removed during servicing, these ground wires must be reconnected to ensure that the tumbler is properly grounded.

W002

IMPORTANT: When reference is made to the left or right hand direction in this manual, it is from the service person's position facing the front of the tumbler.

13. LOADING DOOR ASSEMBLY

Refer to *Figure 1*.

- Open loading door.
- While supporting door, remove two screws from hinge cam at top of door and slide door out of the bottom hinge.
- Remove door.

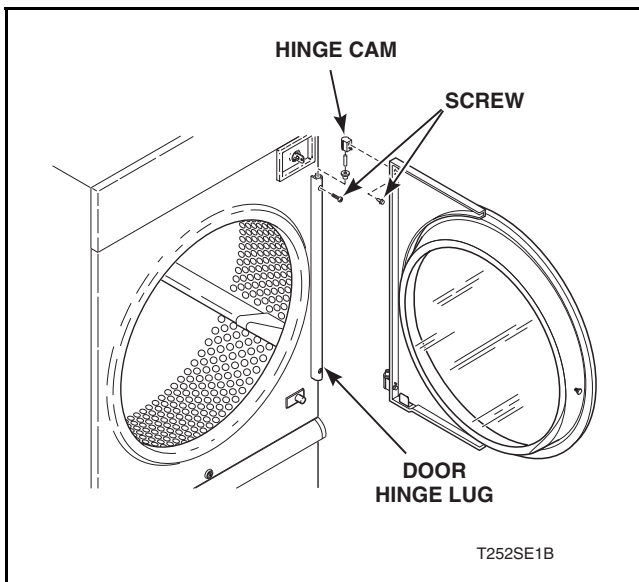


Figure 1

14. DOOR HINGE

Refer to *Figures 1* and *2*.

- Open loading door.
- While supporting door, remove two screws from hinge cam at top of door and slide door out of the bottom hinge.
- Remove door.
- Remove nuts and screws holding hinge to door frame. Refer to *Figure 2*.

15. DOOR HANDLE

Refer to *Figure 2*.

- Open loading door.
- Remove screws holding door handle to door.

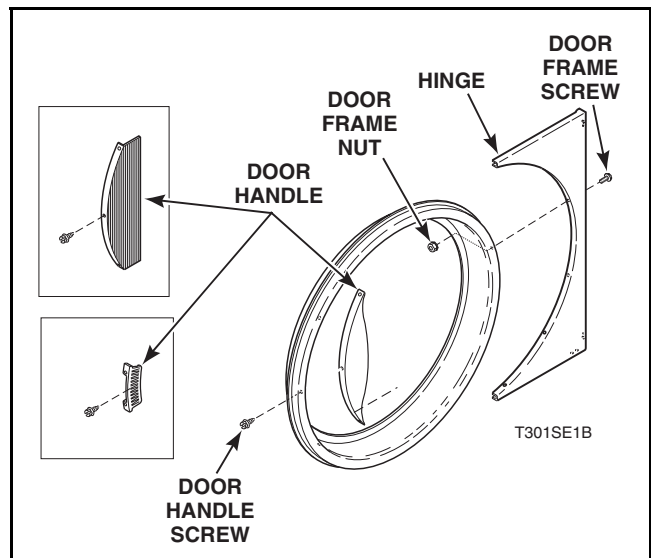


Figure 2



WARNING

To reduce the risk of electric shock, fire, explosion, serious injury or death:

- Disconnect electric power to the tumbler before servicing.
- Close gas shut-off valve to gas tumbler before servicing.
- Close steam valve to steam tumbler before servicing.
- Never start the tumbler with any guards/panels removed.
- Whenever ground wires are removed during servicing, these ground wires must be reconnected to ensure that the tumbler is properly grounded.

W002

16. FRONT PANEL

Refer to *Figure 3*.

STACKED DRYING TUMBLER

- a. Unlock and remove upper lint drawer. (For lower tumbler, both upper and lower lint drawers need to be removed.) Then remove two screws in upper lint compartment opening.
- b. Unlock controls and remove. Refer to *Paragraph 18*.
- c. Remove two screws at the loading door hinge. Refer to *Figure 1*.

- d. While supporting front panel, remove screws holding front panel to cabinet, leaving one screw on the top.
- e. Pull bottom of panel away from tumbler far enough to disconnect door switch wires.

NOTE: Refer to wiring diagram when rewiring electronic control.

- f. Remove remaining screw at top and remove front panel.

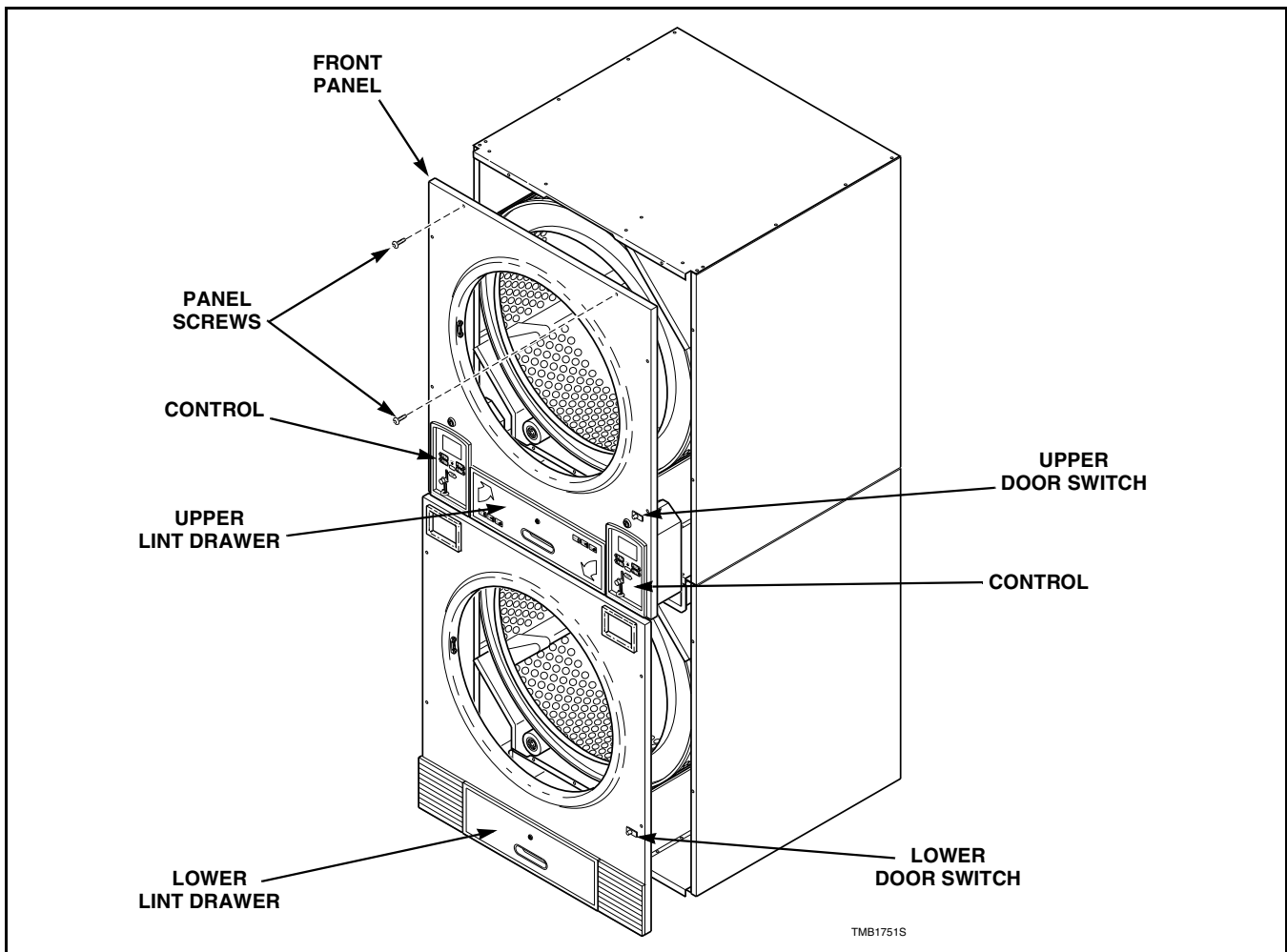


Figure 3



WARNING

To reduce the risk of electric shock, fire, explosion, serious injury or death:

- Disconnect electric power to the tumbler before servicing.
- Close gas shut-off valve to gas tumbler before servicing.
- Close steam valve to steam tumbler before servicing.
- Never start the tumbler with any guards/panels removed.
- Whenever ground wires are removed during servicing, these ground wires must be reconnected to ensure that the tumbler is properly grounded.

W002

STAND ALONE DRYING TUMBLER

Refer to *Figure 4*.

- a. Unlock and remove top access panel.
- b. Unlock and remove lint panel.
- c. Remove two screws at the loading door hinge lug. Refer to *Figure 1*.
- d. Remove eight screws holding front panel to cabinet, leaving one screw on the top.

- e. Support front panel and pull bottom of panel away from the tumblers far enough to disconnect door switch wires.

- f. Remove remaining screw at top.

NOTE: Refer to wiring diagram when rewiring electronic control.

- g. Remove front panel.

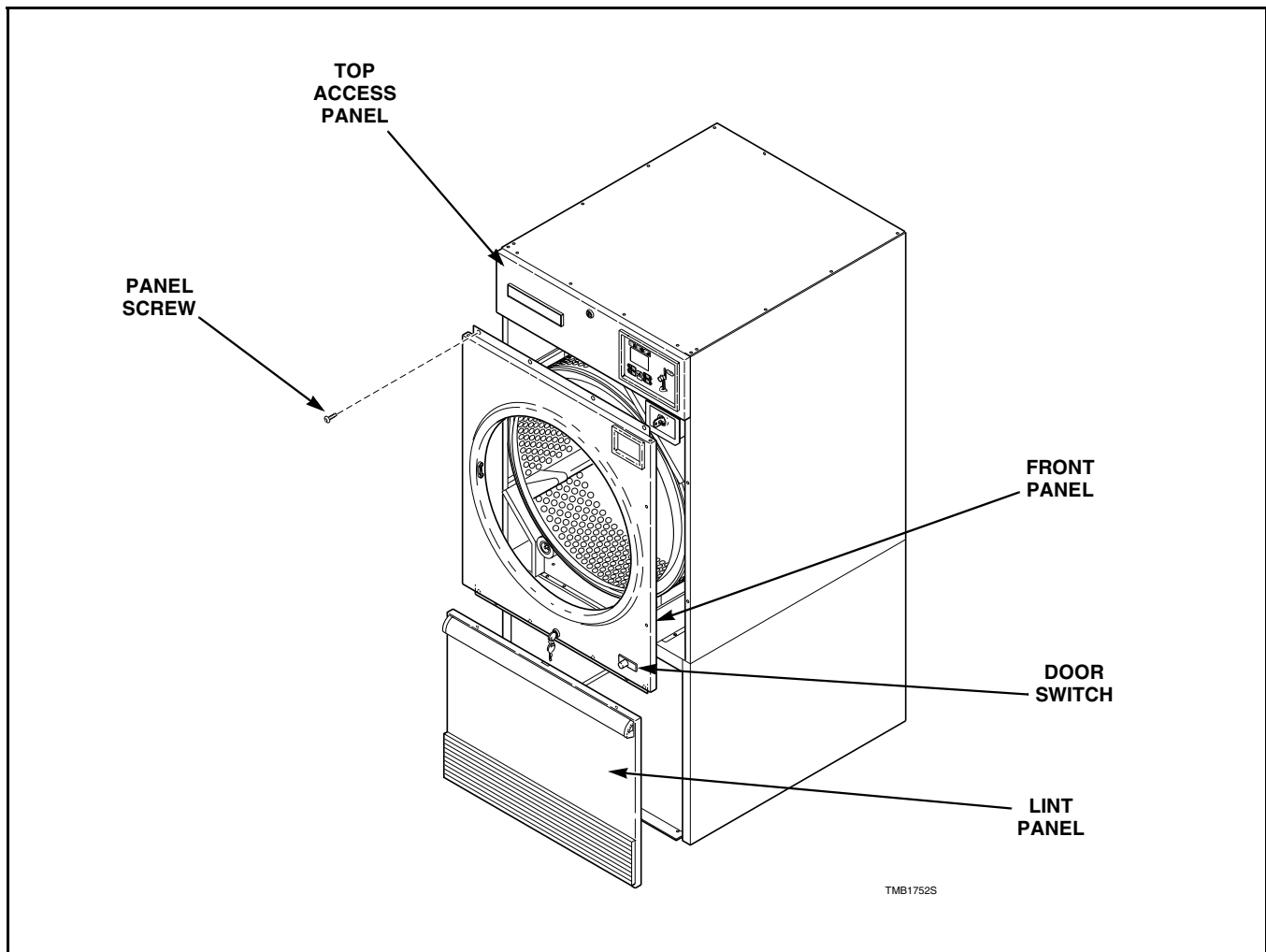


Figure 4



WARNING

To reduce the risk of electric shock, fire, explosion, serious injury or death:

- Disconnect electric power to the tumbler before servicing.
- Close gas shut-off valve to gas tumbler before servicing.
- Close steam valve to steam tumbler before servicing.
- Never start the tumbler with any guards/panels removed.
- Whenever ground wires are removed during servicing, these ground wires must be reconnected to ensure that the tumbler is properly grounded.

W002

17. DOOR SWITCH (ALL MODELS)

Refer to *Figure 5*.

- Remove two screws from loading door hinge lug. Refer to *Figure 1*.
- Remove screws from bottom of front panel. Refer to *Figure 4*.

STACKED TUMBLERS ONLY:

Remove lint drawer and screws. Refer to *Paragraph 16*.

- Loosen screws at top of front panel.
- Tilt front panel out and away from tumbler.
- Disconnect wires to door switch.

NOTE: Refer to wiring diagram when rewiring door switch.

- Press switch tabs in and push switch out through front panel.



WARNING

To reduce the risk of serious injury the door switch **MUST** be reinstalled after service is complete.

W241

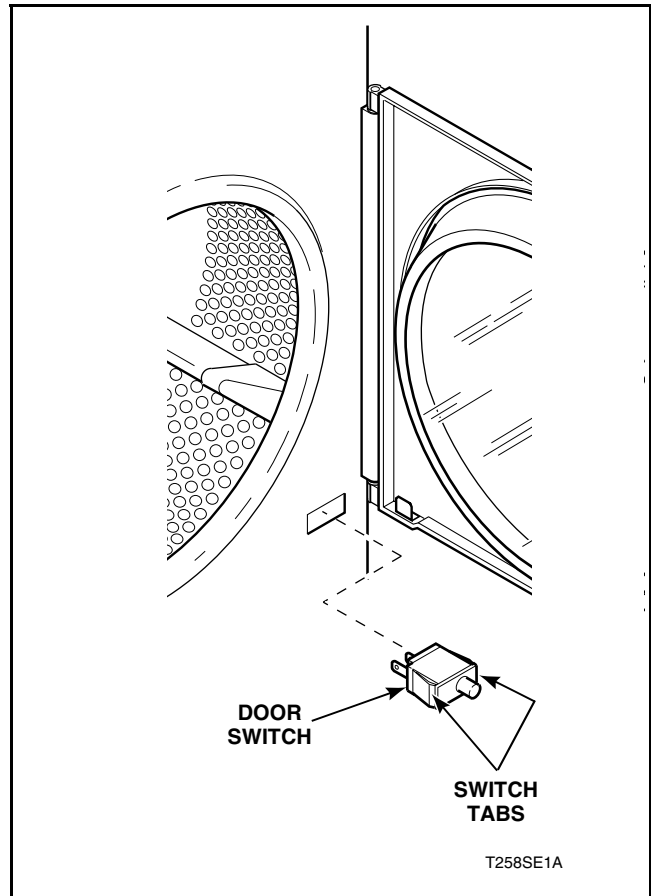


Figure 5



WARNING

To reduce the risk of electric shock, fire, explosion, serious injury or death:

- Disconnect electric power to the tumbler before servicing.
- Close gas shut-off valve to gas tumbler before servicing.
- Close steam valve to steam tumbler before servicing.
- Never start the tumbler with any guards/panels removed.
- Whenever ground wires are removed during servicing, these ground wires must be reconnected to ensure that the tumbler is properly grounded.

W002

DOOR SWITCH (EU Models)

Refer to *Figure 6*.

NOTE: EU Models are equipped with a second door switch.

- a. Remove two screws from the loading door hinge lug. Refer to *Figure 1*.
- b. Remove screws from top and sides of front panel and loosen screws at bottom of front panel. Refer to *Figure 4*.

STACKED TUMBLERS ONLY:

Refer to *Paragraph 16*.

- a. Remove lint drawer and screws.
- b. Tilt front panel out and away from tumbler only far enough to permit disconnecting wires from door switch.

NOTE: Refer to wiring diagram when rewiring door switch.

- c. Remove two screws and nuts holding door switch to bracket on inside of front panel.

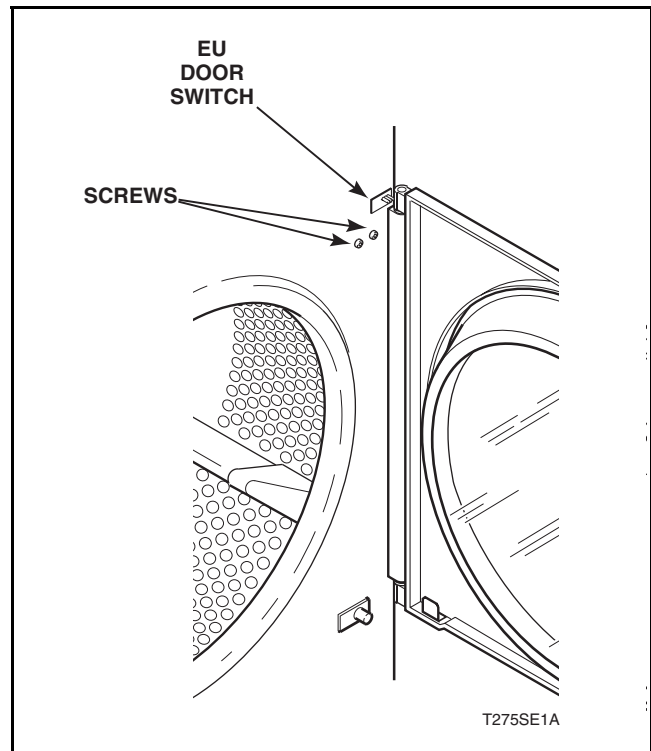


Figure 6



WARNING

To reduce the risk of electric shock, fire, explosion, serious injury or death:

- Disconnect electric power to the tumbler before servicing.
- Close gas shut-off valve to gas tumbler before servicing.
- Close steam valve to steam tumbler before servicing.
- Never start the tumbler with any guards/panels removed.
- Whenever ground wires are removed during servicing, these ground wires must be reconnected to ensure that the tumbler is properly grounded.

W002

18. CONTROL AND COIN DROP ASSEMBLY

STACKED DRYING TUMBLER

Refer to *Figure 7*.

- a. Unlock control/coin drop.
- b. Push down and in on bottom of control. Top of control will tilt forward.
- c. Pull control out far enough to disconnect wires.
- d. Remove control and place in a clean, dry location where it cannot be damaged.

IMPORTANT: Refer to wiring diagram when rewiring control.

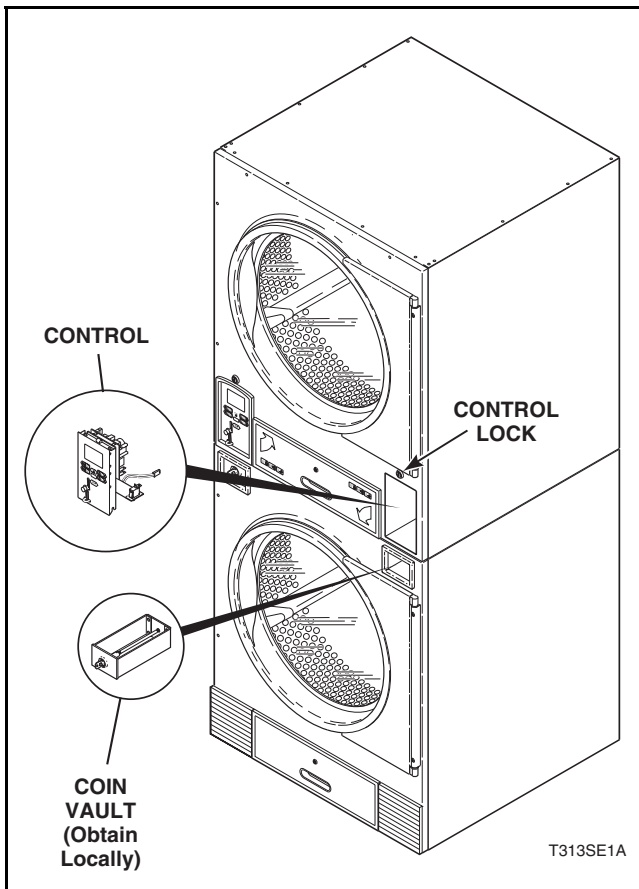


Figure 7

STAND ALONE DRYING TUMBLER

Refer to *Figure 8*.

- a. Unlock top access panel over control and remove. Refer to *Figure 4*.
- b. Remove two screws from control door.
- c. Swing out control.
- d. Push up on control until top hinge clears slot.
- e. Disconnect wire harness from cabinet harness.
- f. Remove audit switch by pressing in on locking tabs, pull out through front.
- g. Remove control and place in a clean dry location where it cannot be damaged.

IMPORTANT: Refer to wiring diagram when rewiring control.

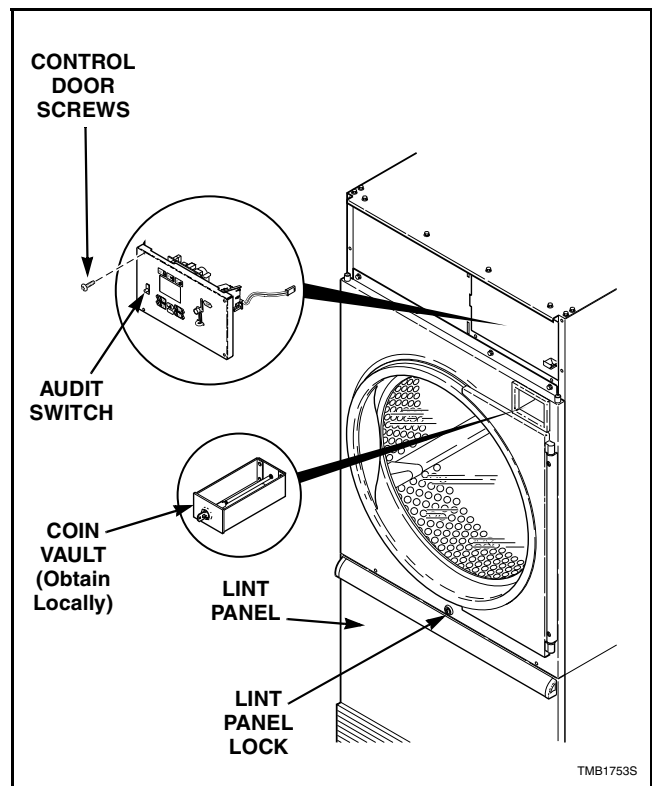


Figure 8



WARNING

To reduce the risk of electric shock, fire, explosion, serious injury or death:

- Disconnect electric power to the tumbler before servicing.
- Close gas shut-off valve to gas tumbler before servicing.
- Close steam valve to steam tumbler before servicing.
- Never start the tumbler with any guards/panels removed.
- Whenever ground wires are removed during servicing, these ground wires must be reconnected to ensure that the tumbler is properly grounded.

W002

19. LINT PANEL/DRAWER

STACKED DRYING TUMBLER

Unlock drawer and pull out. Refer to *Figure 9*.

STAND ALONE DRYING TUMBLER

Coin

Unlock panel and remove. Refer to *Figure 8*.

OPL

Pull panel down from top. Refer to *Figure 8*.

20. LINT SCREEN

Refer to *Figure 9*.

STACKED DRYING TUMBLER

- Unlock and remove lint drawer.
- Remove lint screen.

STAND ALONE DRYING TUMBLER

- Unlock and remove lint panel. Refer to *Figure 8*.
- Apply pressure on top of screen to release screen from clip.
- Remove screen.

TO REPLACE SCREEN

- Drop bottom of screen between lugs on bottom. Refer to *Figure 9*.
- Secure top of screen behind clip.

21. LINT DRAWER SEAL

Refer to *Figure 10*.

STACKED DRYING TUMBLER

- Unlock and remove lint drawer.
- Remove damaged or worn seal from front panel.
- Degrease area where new seal is to be placed.

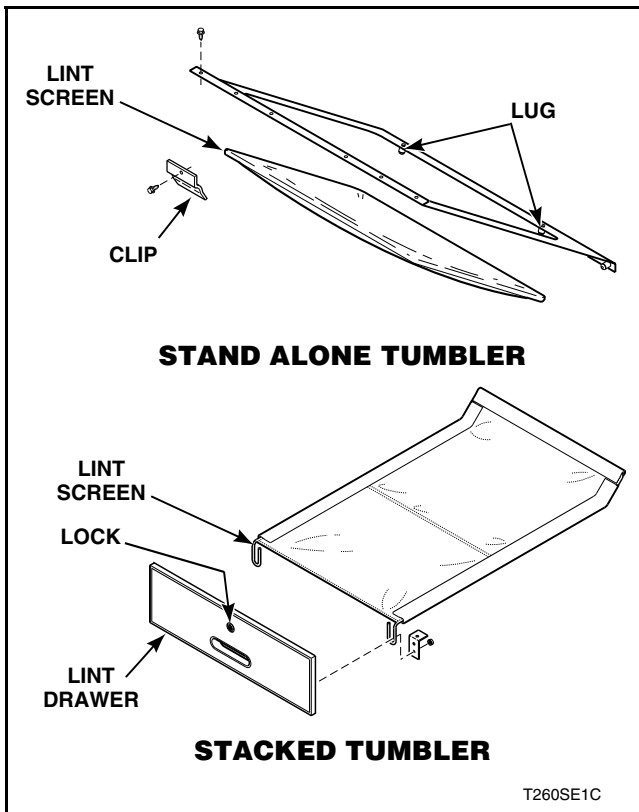


Figure 9



WARNING

For personal safety use degreaser/solvent only in a well ventilated area away from any open flames or sources of ignition.

W242

- When installing new seal, make sure it does not extend into lint drawer opening cavity.



WARNING

To reduce the risk of electric shock, fire, explosion, serious injury or death:

- Disconnect electric power to the tumbler before servicing.
- Close gas shut-off valve to gas tumbler before servicing.
- Close steam valve to steam tumbler before servicing.
- Never start the tumbler with any guards/panels removed.
- Whenever ground wires are removed during servicing, these ground wires must be reconnected to ensure that the tumbler is properly grounded.

W002

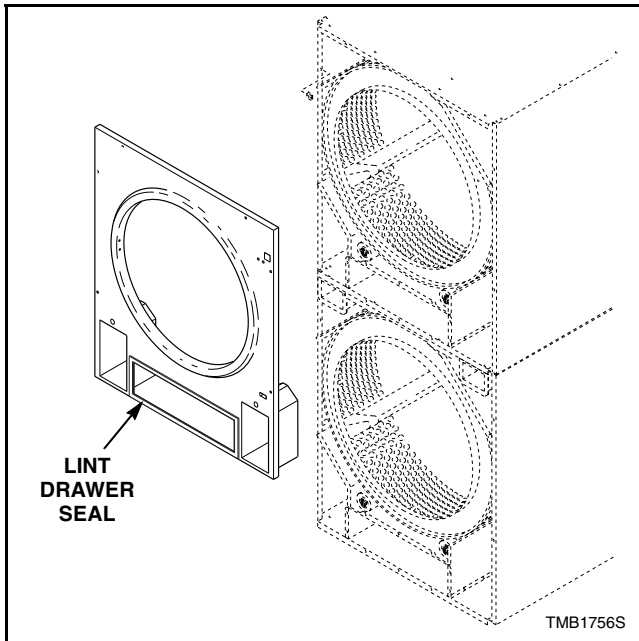


Figure 10

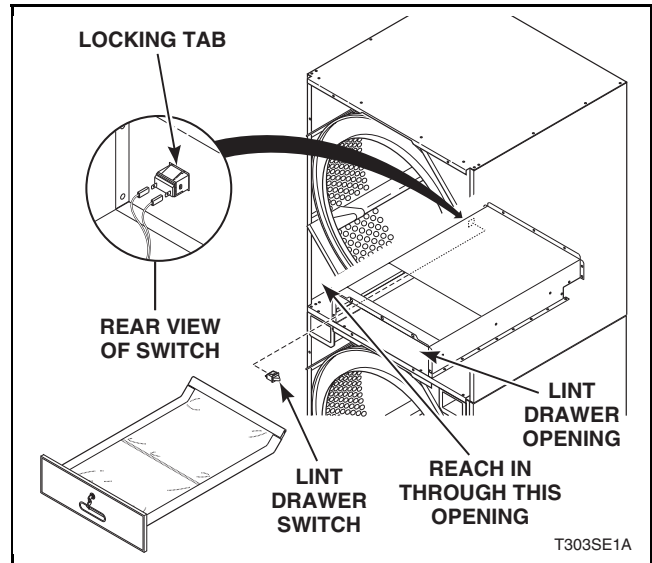


Figure 11

22. LINT DRAWER/PANEL SWITCH

Refer to *Figure 11*.

STACKED DRYING TUMBLER

- Unlock and remove lint drawer. Refer to *Paragraph 19*.
- Unlock and remove left control.
- Disconnect harnesses.
- Remove four screws holding plate at rear of control box. Refer to *Figure 7*.
- Reach in through left control opening and disconnect wires from lint drawer switch terminal.
- Compress locking tabs on top and bottom of switch. Push switch through into lint drawer opening.

NOTE: When installing switch, switch lever must point toward rear of tumbler.

STAND ALONE DRYING TUMBLER

Refer to *Figure 12*.

- Remove front panel. Refer to *Figure 3*.

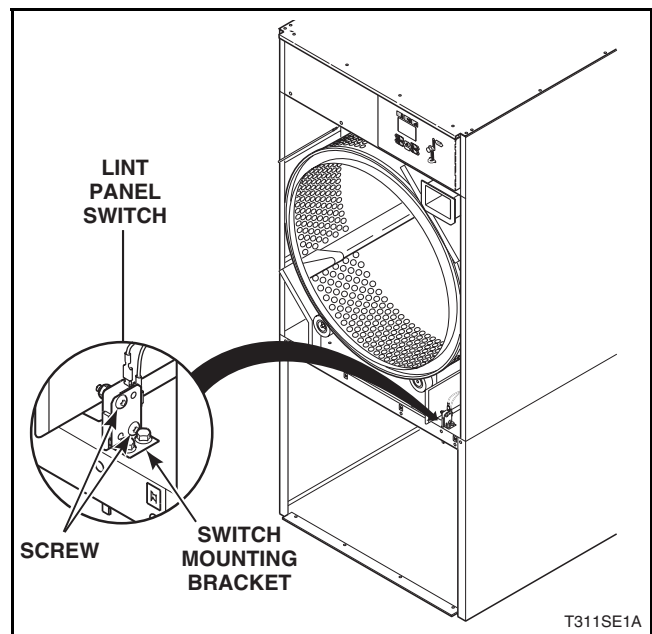


Figure 12



WARNING

To reduce the risk of electric shock, fire, explosion, serious injury or death:

- Disconnect electric power to the tumbler before servicing.
- Close gas shut-off valve to gas tumbler before servicing.
- Close steam valve to steam tumbler before servicing.
- Never start the tumbler with any guards/panels removed.
- Whenever ground wires are removed during servicing, these ground wires must be reconnected to ensure that the tumbler is properly grounded.

W002

23. JUNCTION BOX/CONTROL BOX

STACKED DRYING TUMBLER

- a. Remove four screws holding junction box cover in place. Refer to *Figure 28*.
- b. Remove junction box cover.

STAND ALONE DRYING TUMBLER

- a. Remove four screws holding control tray cover in place. Refer to *Figure 29*.
- b. Remove control tray cover.

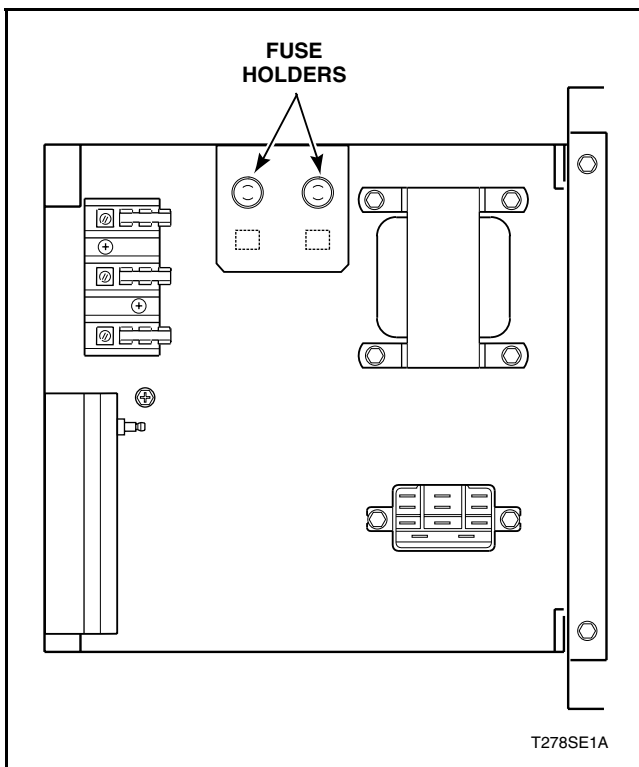


Figure 13

24. FUSE AND FUSE HOLDER ASSEMBLY

Refer to *Figures 13, 14 and 15*.

NOTE: Fuse holder is located in the junction box at the rear of the machine. There is a fuse access door in the junction box cover for changing fuses.

- a. Remove junction box cover. Refer to *Paragraph 23*.
- b. Turn fuse cap counterclockwise to remove fuse.
- c. Disconnect wires from fuse holder.

NOTE: Refer to wiring diagram when rewiring fuse.

- d. Remove retaining nut holding fuse holder assembly to junction box and remove assembly.

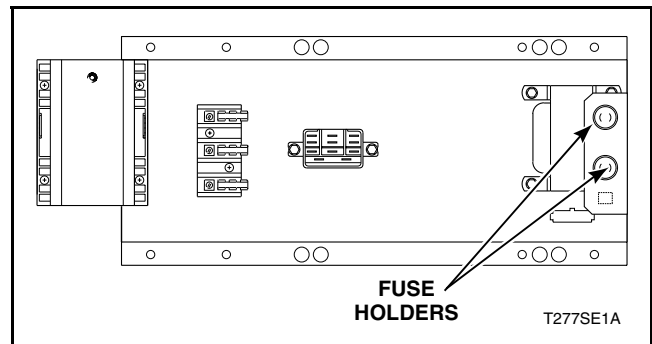


Figure 14

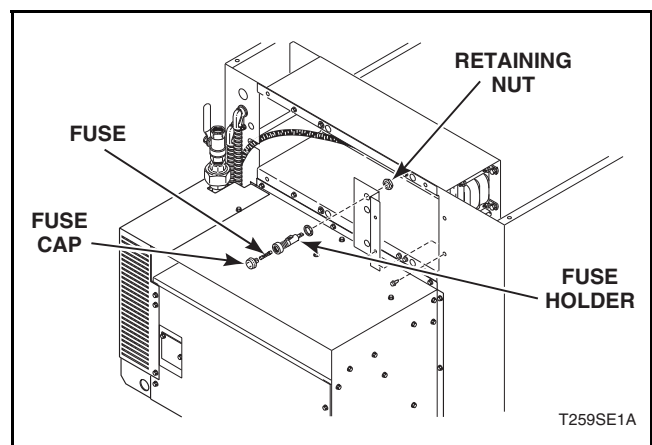


Figure 15



WARNING

To reduce the risk of electric shock, fire, explosion, serious injury or death:

- Disconnect electric power to the tumbler before servicing.
- Close gas shut-off valve to gas tumbler before servicing.
- Close steam valve to steam tumbler before servicing.
- Never start the tumbler with any guards/panels removed.
- Whenever ground wires are removed during servicing, these ground wires must be reconnected to ensure that the tumbler is properly grounded.

W002

25. CYLINDER ROLLERS

Refer to *Figure 16*.

- a. Unlock and remove lint drawer/panel. Refer to *Figure 11*.
- b. Remove control panel and control assembly.
- c. Remove front panel.
- d. Remove nuts from end of roller shafts. Refer to *Figure 16*.
- e. Lift cylinder slightly and remove rollers from shafts. Refer to *Figure 16*.

26. ROLLER SHAFT

Refer to *Figure 16*.

- a. Unlock and remove lint drawer/panel. Refer to *Figure 11*.
- b. Remove front panel. Refer to *Figures 3 and 4*.
- c. Remove cylinder rollers. Refer to *Paragraph 25*.
- d. Remove nuts from front and back of roller shaft.
- e. Slide shaft back out of air duct roller support assembly.

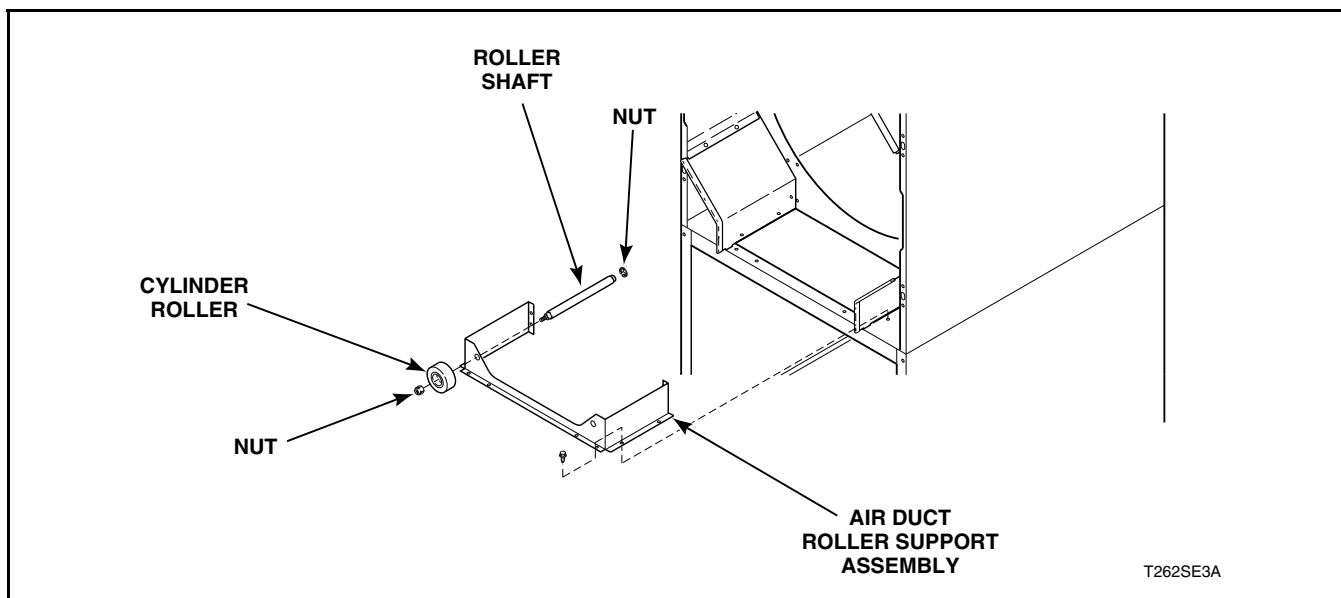


Figure 16

T262SE3A



WARNING

To reduce the risk of electric shock, fire, explosion, serious injury or death:

- Disconnect electric power to the tumbler before servicing.
- Close gas shut-off valve to gas tumbler before servicing.
- Close steam valve to steam tumbler before servicing.
- Never start the tumbler with any guards/panels removed.
- Whenever ground wires are removed during servicing, these ground wires must be reconnected to ensure that the tumbler is properly grounded.

W002

27. CYLINDER AND BEARING ASSEMBLY

STACKED DRYING TUMBLER

Refer to *Figure 17*.

- a. Unlock and remove upper lint drawer.
(For lower tumbler, both upper and lower lint drawers need to be removed. Remove two screws in upper lint compartment opening.)
Refer to *Paragraph 19*.
- b. Remove controls. Refer to *Paragraph 18*.
- c. Remove front panel. Refer to *Paragraph 16*.
- d. Remove palnut, jamnut and washer from cylinder shaft. Refer to *Figure 17*.
- e. Remove drive access cover at rear of tumbler.
Refer to *Figure 18*.



CAUTION

To reduce the risk of injury, use care when reaching into cabinet through belt service door. The idler pulley could snap into place, causing injury.

W230

- f. Reach into cabinet and carefully apply downward pressure on idler pulley. Slide belt off motor pulley and then slowly release pressure on idler pulley. Refer to *Figure 18*.
- g. Pull cylinder out through front of cabinet.
- h. Install cylinder guide tool on cylinder shaft before reinstalling cylinder. Refer to *Figure 20*.

STAND ALONE DRYING TUMBLER

- a. Unlock and remove lint panel. Refer to *Paragraph 19*.
- b. Remove front panel. Refer to *Paragraph 16*.
- c. Remove palnut, jamnut and washer from cylinder shaft. Refer to *Figure 17*.
- d. Remove drive access cover at rear of tumbler.
Refer to *Figure 31*.
- e. Supporting the motor, lift up and run belt off motor pulley. Refer to *Figure 37*.
- f. Pull cylinder out through front of cabinet.
- g. Install cylinder guide tool on cylinder shaft before reinstalling cylinder. Refer to *Figure 20*.

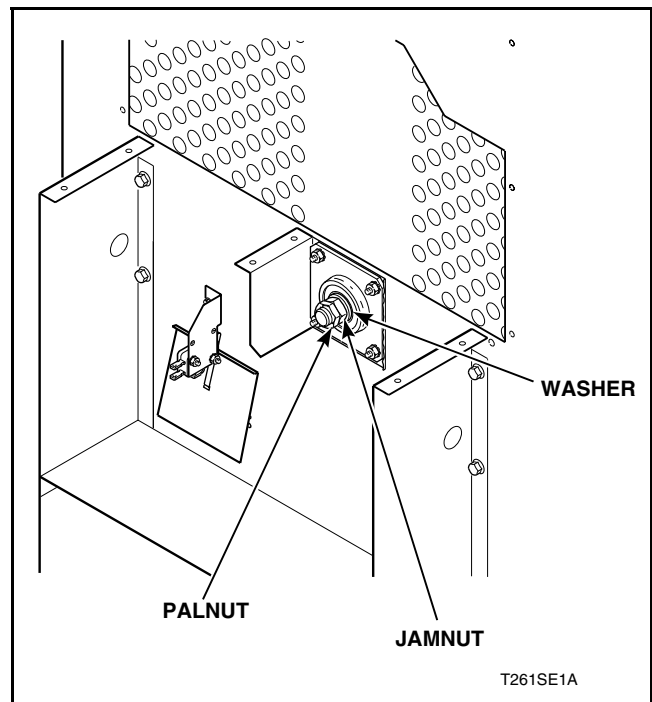


Figure 17



WARNING

To reduce the risk of electric shock, fire, explosion, serious injury or death:

- Disconnect electric power to the tumbler before servicing.
- Close gas shut-off valve to gas tumbler before servicing.
- Close steam valve to steam tumbler before servicing.
- Never start the tumbler with any guards/panels removed.
- Whenever ground wires are removed during servicing, these ground wires must be reconnected to ensure that the tumbler is properly grounded.

W002

28. CYLINDER IDLER

Refer to *Figure 18*.

STACKED DRYING TUMBLER

a. Remove drive access cover. Refer to *Figure 31*.

- f. Remove four nuts and bolts holding motor and mounting bracket to back of cabinet.
- g. Remove motor assembly.
- h. Remove three bolts and nuts holding idler assembly to cabinet and remove idler assembly.



CAUTION

To reduce the risk of injury, use care when reaching into cabinet through belt service door. The idler pulley could snap into place, causing injury.

W230

- b. Reach into cabinet and carefully apply downward pressure on idler pulley. Slide belt off motor pulley, then slowly release pressure on idler pulley.
- c. Pull cylinder out through front of cabinet.
- d. Remove two screws holding the motor harness conduit cover to connector at motor. Remove conduit cover.
- e. Disconnect harness wires from motor. Turn harness connector out of motor.

Idler Lock Bracket

NOTE: This section pertains only to machines without an idler lock bracket already installed.

- (1) Remove two screws on drive access cover and remove door. Refer to *Figure 31*.
- (2) Reach into cabinet and carefully apply downward pressure on idler pulley. Slide belt off pulleys and slowly release pressure on idler pulley.
- (3) Use 1/4" ratchet with a short extension and 1/2" socket to remove internal top right nut holding the idler mounting bracket to cabinet.
- (4) Slide idler lock bracket over bolt with tab to the left and pointing into the cabinet.
- (5) Replace nut and lock into place.

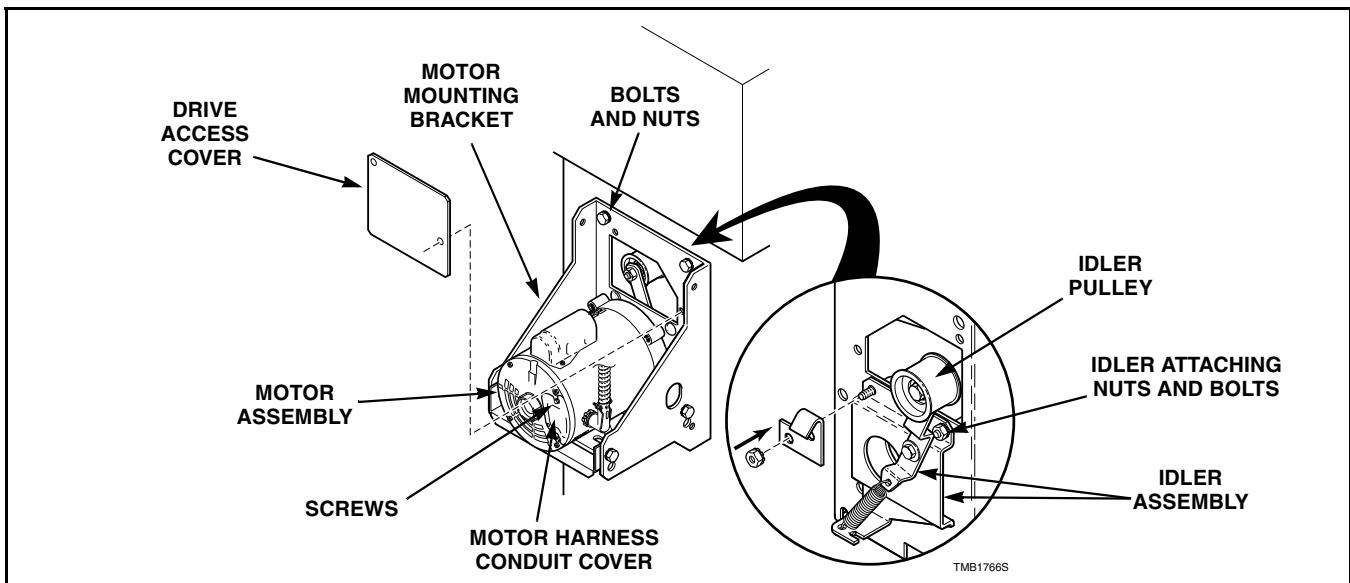


Figure 18



WARNING

To reduce the risk of electric shock, fire, explosion, serious injury or death:

- Disconnect electric power to the tumbler before servicing.
- Close gas shut-off valve to gas tumbler before servicing.
- Close steam valve to steam tumbler before servicing.
- Never start the tumbler with any guards/panels removed.
- Whenever ground wires are removed during servicing, these ground wires must be reconnected to ensure that the tumbler is properly grounded.

W002

To Re-Install Belt

Refer to *Figure 19*.

- (1) Reach into cabinet through drive access cover and apply downward pressure on idler pulley until idler lever clears idler lock bracket. Insert a screwdriver through hole in bracket.

NOTE: Turn the cylinder clockwise if rotating from the front of the tumbler and counterclockwise from the rear.

- (7) Replace drive access cover and guard.
- (8) Connect power to tumbler and check for proper operation.



CAUTION

Use extreme care when idler lever is in this position; it is spring loaded. If screwdriver is accidentally removed, serious injury and/or damage to the tumbler could result from idler lever slamming back into position.

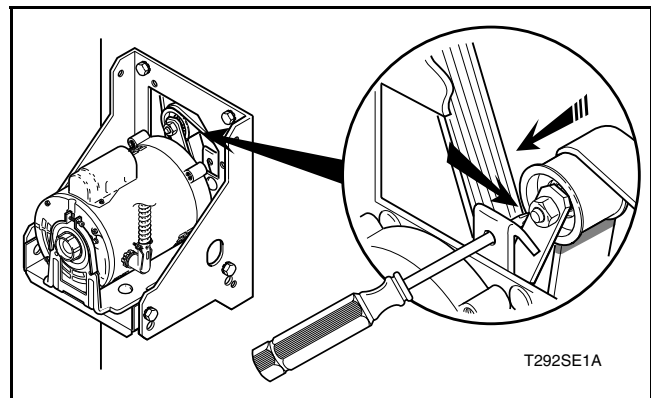
W231

NOTE: Use a #3 Phillips screwdriver that is at least 8 inches long.

- (2) Slowly release pressure until idler lever rests on screwdriver shaft.
- (3) Carefully install belt.
- (4) Apply downward pressure on idler lever until it is possible to remove screwdriver.

IMPORTANT: Removing screwdriver without first relieving pressure on the idler lever will cause idler to snap back into place. This could cause injury to the person, the person's hand or damage the tumbler.

- (5) Slowly release pressure until idler pulley seats with the belt.
- (6) Rotate cylinder by hand to check that the belt is tracking properly.



T292SE1A

Figure 19

STAND ALONE DRYING TUMBLER

- a. Remove control panel. Refer to *Paragraph 18*.
- b. Remove lint panel. Refer to *Paragraph 19*.
- c. Remove front panel. Refer to *Paragraph 16*.
- d. Remove drive access cover. Refer to *Figure 31*.
- e. Lift motor up and run belt off pulley.
- f. Remove cylinder.
- g. Remove four screws holding idler bracket to tumbler and remove idler.



WARNING

To reduce the risk of electric shock, fire, explosion, serious injury or death:

- Disconnect electric power to the tumbler before servicing.
- Close gas shut-off valve to gas tumbler before servicing.
- Close steam valve to steam tumbler before servicing.
- Never start the tumbler with any guards/panels removed.
- Whenever ground wires are removed during servicing, these ground wires must be reconnected to ensure that the tumbler is properly grounded.

W002

29. CYLINDER SEALS

Refer to *Figure 20*.

REAR CYLINDER SEAL

- a. Remove cylinder assembly. Refer to *Paragraph 27*.
- b. Remove seal from seal support on rear panel.
- c. Degrease area where new seal is to be placed. Scrape any remaining seal/glue remnants from seal support.
- d. Apply generous amount of glue into seal support.
- e. Carefully install seal into glue surface. Apply pressure until glue is able to support seal and hold it in position.



WARNING

For personal safety use degreaser/solvent only in a well ventilated area away from any open flames or sources of ignition.

W242

FRONT BAFFLE GASKETS

Refer to *Figure 21*.

- a. Remove lint panel/drawer. Refer to *Paragraph 19*.
- b. Remove control panel and controls. Refer to *Paragraph 18*.
- c. Remove front panel. Refer to *Paragraph 16*.
- d. Remove gasket from baffles.

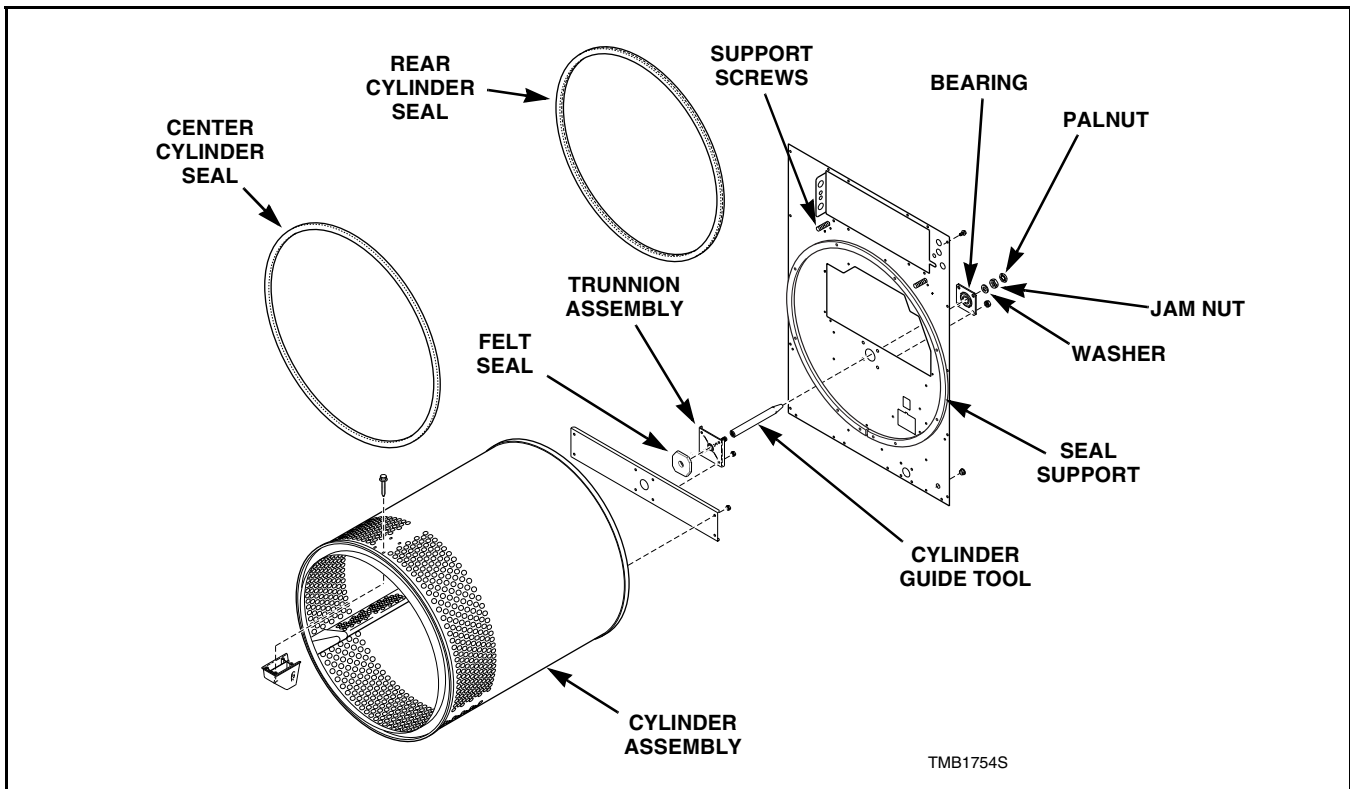


Figure 20



WARNING

To reduce the risk of electric shock, fire, explosion, serious injury or death:

- Disconnect electric power to the tumbler before servicing.
- Close gas shut-off valve to gas tumbler before servicing.
- Close steam valve to steam tumbler before servicing.
- Never start the tumbler with any guards/panels removed.
- Whenever ground wires are removed during servicing, these ground wires must be reconnected to ensure that the tumbler is properly grounded.

W002

30. ROLLER SUPPORT AND BAFFLE ASSEMBLY

Refer to *Figure 21*.

- Remove cylinder and bearing assembly. Refer to *Paragraph 27*.
- Remove cylinder seals. Refer to *Paragraph 29*.
- Remove screws holding roller support to cabinet.
- Remove screws holding baffles to heat shields.
- Remove screws holding baffles to center partition.
- Remove baffles.

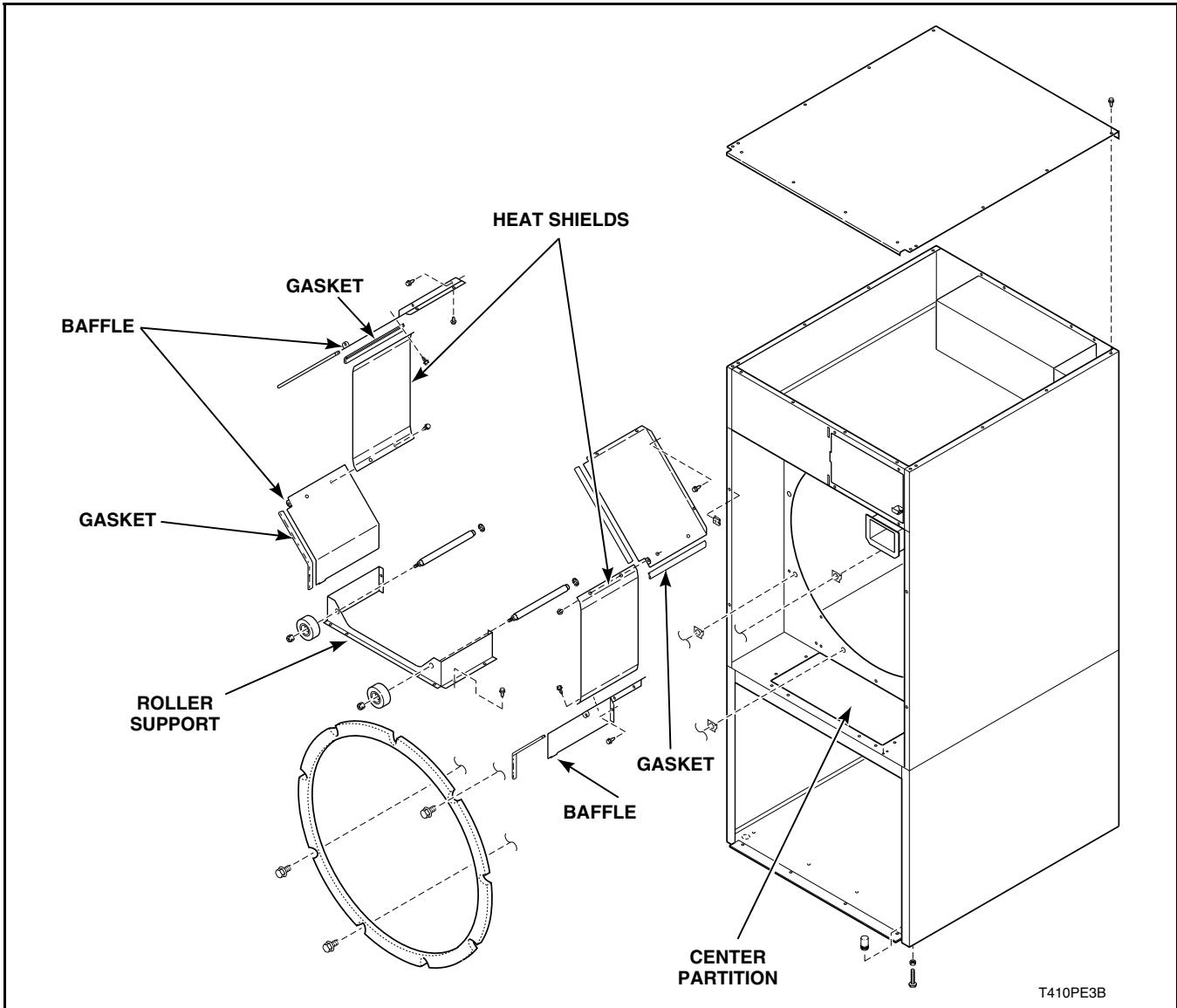


Figure 21



WARNING

To reduce the risk of electric shock, fire, explosion, serious injury or death:

- Disconnect electric power to the tumbler before servicing.
- Close gas shut-off valve to gas tumbler before servicing.
- Close steam valve to steam tumbler before servicing.
- Never start the tumbler with any guards/panels removed.
- Whenever ground wires are removed during servicing, these ground wires must be reconnected to ensure that the tumbler is properly grounded.

W002

31. AIRFLOW SWITCH

Refer to *Figure 22*.

- a. Remove fan motor assembly. (Stacked Tumblers only). Refer to *Paragraph 46*.
- b. Remove two screws on air flow switch guard and remove guard.
- c. Disconnect wires from switch.

NOTE: Refer to wiring diagram when rewiring switch.

- d. Remove two screws and one speed nut holding switch to mounting bracket.

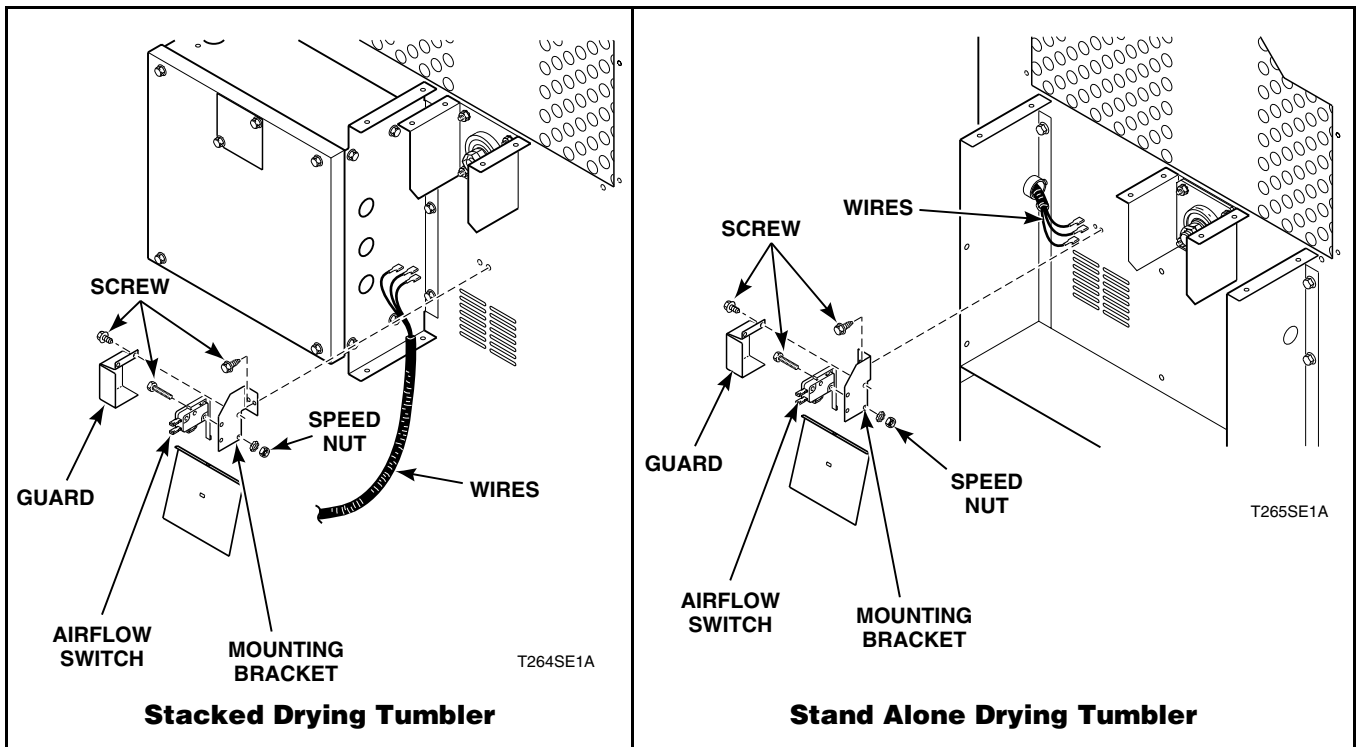


Figure 22



WARNING

To reduce the risk of electric shock, fire, explosion, serious injury or death:

- Disconnect electric power to the tumbler before servicing.
- Close gas shut-off valve to gas tumbler before servicing.
- Close steam valve to steam tumbler before servicing.
- Never start the tumbler with any guards/panels removed.
- Whenever ground wires are removed during servicing, these ground wires must be reconnected to ensure that the tumbler is properly grounded.

W002

32. STOVE HIGH LIMIT THERMOSTAT

Refer to *Figure 23*.

- Remove cover screws holding gas valve cover to stove and remove cover.
- Disconnect wires from stove limit thermostat.

NOTE: Refer to wiring diagram when rewiring thermostat.

- Remove screws holding stove limit thermostat to stove.

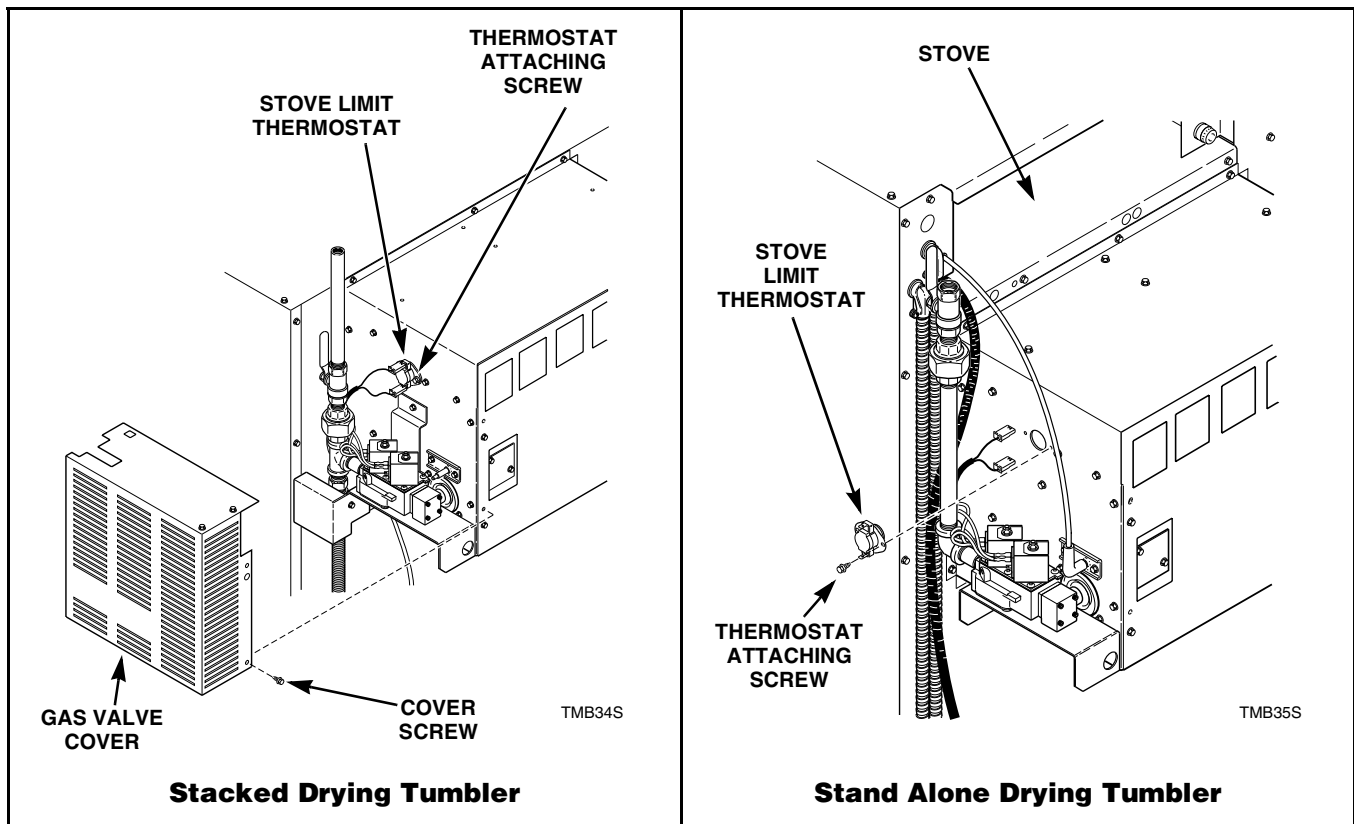


Figure 23



WARNING

To reduce the risk of electric shock, fire, explosion, serious injury or death:

- Disconnect electric power to the tumbler before servicing.
- Close gas shut-off valve to gas tumbler before servicing.
- Close steam valve to steam tumbler before servicing.
- Never start the tumbler with any guards/panels removed.
- Whenever ground wires are removed during servicing, these ground wires must be reconnected to ensure that the tumbler is properly grounded.

W002

33. COMPLETE GAS VALVE ASSEMBLY

STACKED DRYING TUMBLER

Refer to *Figure 21*.

Upper Tumbler

- a. Remove screws holding gas valve cover to stove and remove cover. Refer to *Figure 23*.
- b. Disconnect gas valve wire connections.
- c. Disconnect gas line going to upper pocket tumbler.
- d. Disconnect gas valve pipe union nut holding gas shut off valve to gas valve nipple.
- e. Remove screws holding gas valve to gas valve bracket and remove valve.

Lower Tumbler

- a. Remove screws holding gas valve cover to stove and remove cover. Refer to *Figure 23*.
- b. Disconnect gas valve wire connections.
- c. Disconnect gas line at lower pocket gas valve.
- d. Remove screws holding gas valve to gas valve bracket and remove valve.

IMPORTANT: When reinstalling gas valve, purge air and sediment from gas service line before connecting to tumbler. Purge remaining air until odor of gas is detected, then tighten connection. Use pipe compound resistant to action of L.P. gas on all pipe threads.



WARNING

To reduce risk of fire or explosion, check pipe connections for gas leaks with a non-corrosive leak detection fluid. Do not use an open flame to check for gas leaks!

W310

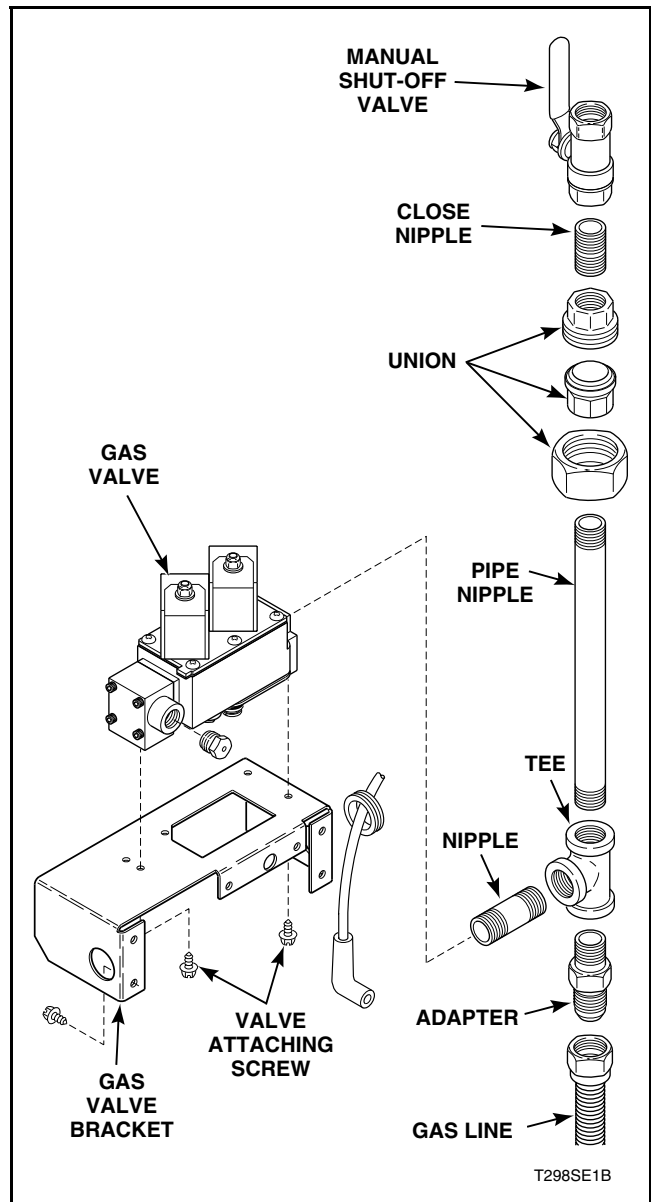


Figure 24



WARNING

To reduce the risk of electric shock, fire, explosion, serious injury or death:

- Disconnect electric power to the tumbler before servicing.
- Close gas shut-off valve to gas tumbler before servicing.
- Close steam valve to steam tumbler before servicing.
- Never start the tumbler with any guards/panels removed.
- Whenever ground wires are removed during servicing, these ground wires must be reconnected to ensure that the tumbler is properly grounded.

W002

STAND ALONE DRYING TUMBLER

Refer to *Figure 25*.

- Remove gas valve cover. Refer to *Figure 23*.
- Disconnect gas valve wire connections.
- Disconnect gas valve pipe union holding gas shut-off valve to gas valve nipple.
- Remove screws holding gas valve to gas valve bracket and remove valve.

IMPORTANT: When reinstalling gas valve, purge air and sediment from gas service line before connecting to tumbler. Purge remaining air until odor of gas is detected, then tighten connection. Use pipe compound resistant to action of L.P. gas on all pipe threads.



WARNING

To reduce risk of fire or explosion, check pipe connections for gas leaks with a non-corrosive leak detection fluid. Do not use an open flame to check for gas leaks!

W310

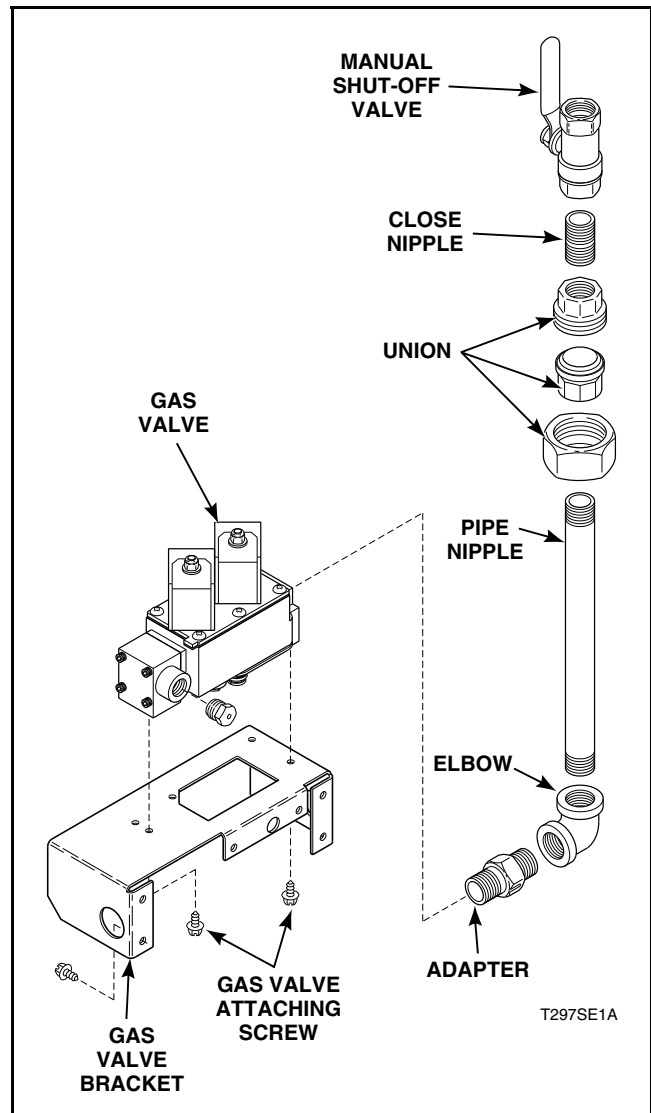


Figure 25



WARNING

To reduce the risk of electric shock, fire, explosion, serious injury or death:

- Disconnect electric power to the tumbler before servicing.
- Close gas shut-off valve to gas tumbler before servicing.
- Close steam valve to steam tumbler before servicing.
- Never start the tumbler with any guards/panels removed.
- Whenever ground wires are removed during servicing, these ground wires must be reconnected to ensure that the tumbler is properly grounded.

W002

34. BURNER TUBE ASSEMBLY

Refer to *Figure 26*.

- a. Remove complete gas valve assembly. Refer to *Paragraph 33*.
- b. Remove stove guard screws holding stove guard to bottom of stove and remove guard.
- c. Remove screws holding burner to stove.
- d. Remove burner by sliding burner tube away from gas valve end of stove.
- e. Pull down on gas valve end of burner tube and remove from bottom of stove.

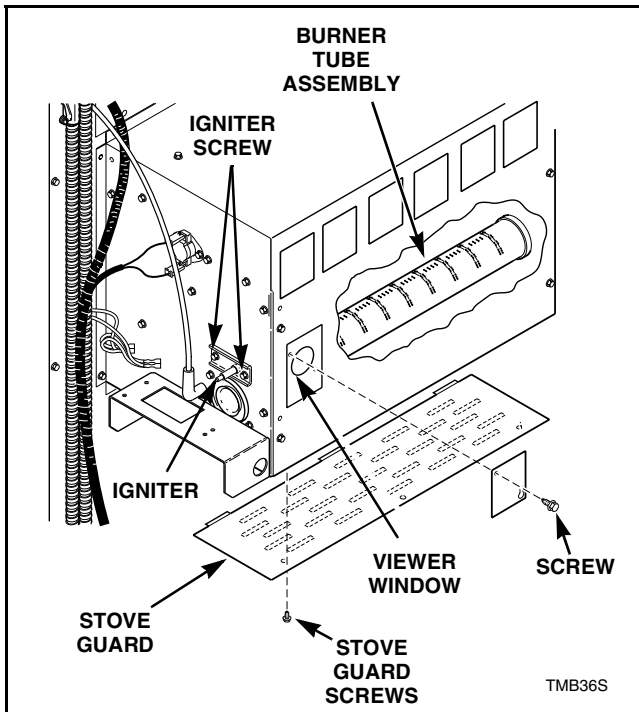


Figure 26

35. VIEWER WINDOW

Refer to *Figure 26*.

- a. Loosen screw in upper left corner.
- b. Remove lower screw.
- c. Turn plate counterclockwise in order to view burner tube and igniter gap.

36. IGNITER ASSEMBLY

- a. Remove screws holding gas valve cover to stove and remove cover. Refer to *Paragraph 33*.
- b. Remove two screws holding igniter to stove and remove igniter.

IMPORTANT: When reinstalling igniter to burner, gap should be .110" - .140" (2.79 - 3.55 mm). Refer to *Figure 27*.

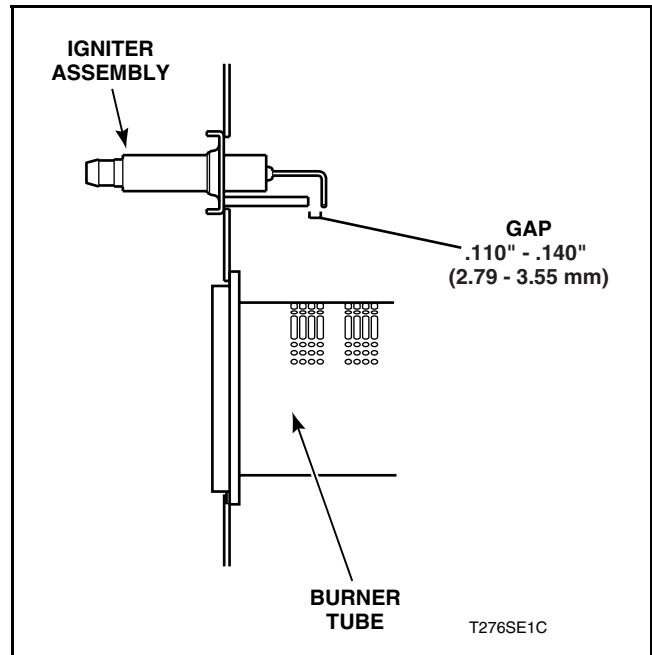


Figure 27



WARNING

To reduce the risk of electric shock, fire, explosion, serious injury or death:

- Disconnect electric power to the tumbler before servicing.
- Close gas shut-off valve to gas tumbler before servicing.
- Close steam valve to steam tumbler before servicing.
- Never start the tumbler with any guards/panels removed.
- Whenever ground wires are removed during servicing, these ground wires must be reconnected to ensure that the tumbler is properly grounded.

W002

37. ELECTRONIC IGNITION CONTROL

STACKED DRYING TUMBLER

Refer to *Figure 28*.

- a. Remove screws holding rear control box cover to control box and remove cover.
- b. Disconnect wire harness.
- c. Remove high voltage lead.
- d. Remove screws holding ignition control to control box and remove ignition control.

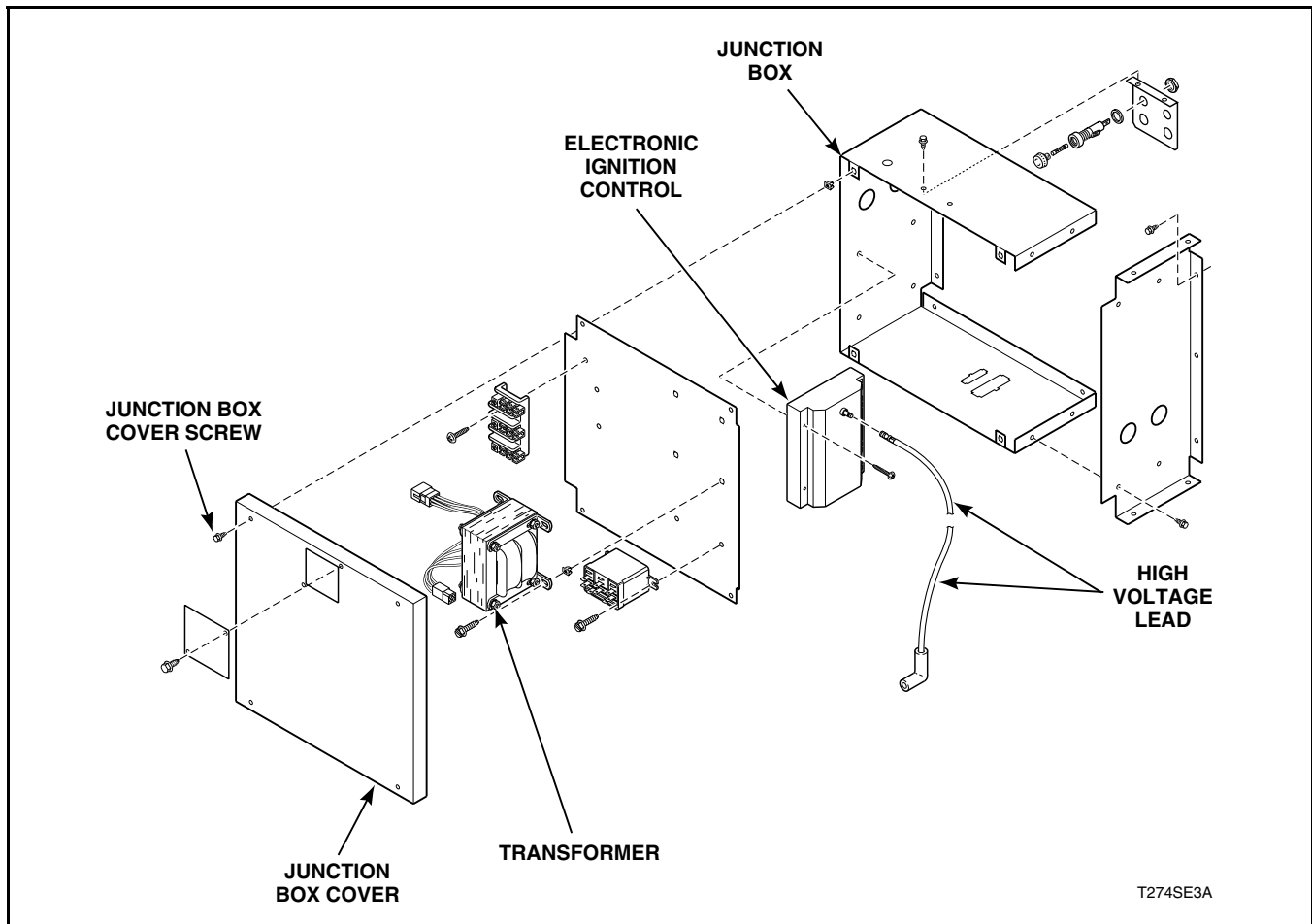


Figure 28



WARNING

To reduce the risk of electric shock, fire, explosion, serious injury or death:

- Disconnect electric power to the tumbler before servicing.
- Close gas shut-off valve to gas tumbler before servicing.
- Close steam valve to steam tumbler before servicing.
- Never start the tumbler with any guards/panels removed.
- Whenever ground wires are removed during servicing, these ground wires must be reconnected to ensure that the tumbler is properly grounded.

W002

STAND ALONE DRYING TUMBLER

Refer to *Figure 29*.

- a. Remove screws holding control tray cover to control box and remove cover.
- b. Disconnect wire harness.
- c. Remove high tension lead.
- d. Remove screws holding ignition control to control box and remove ignition control.

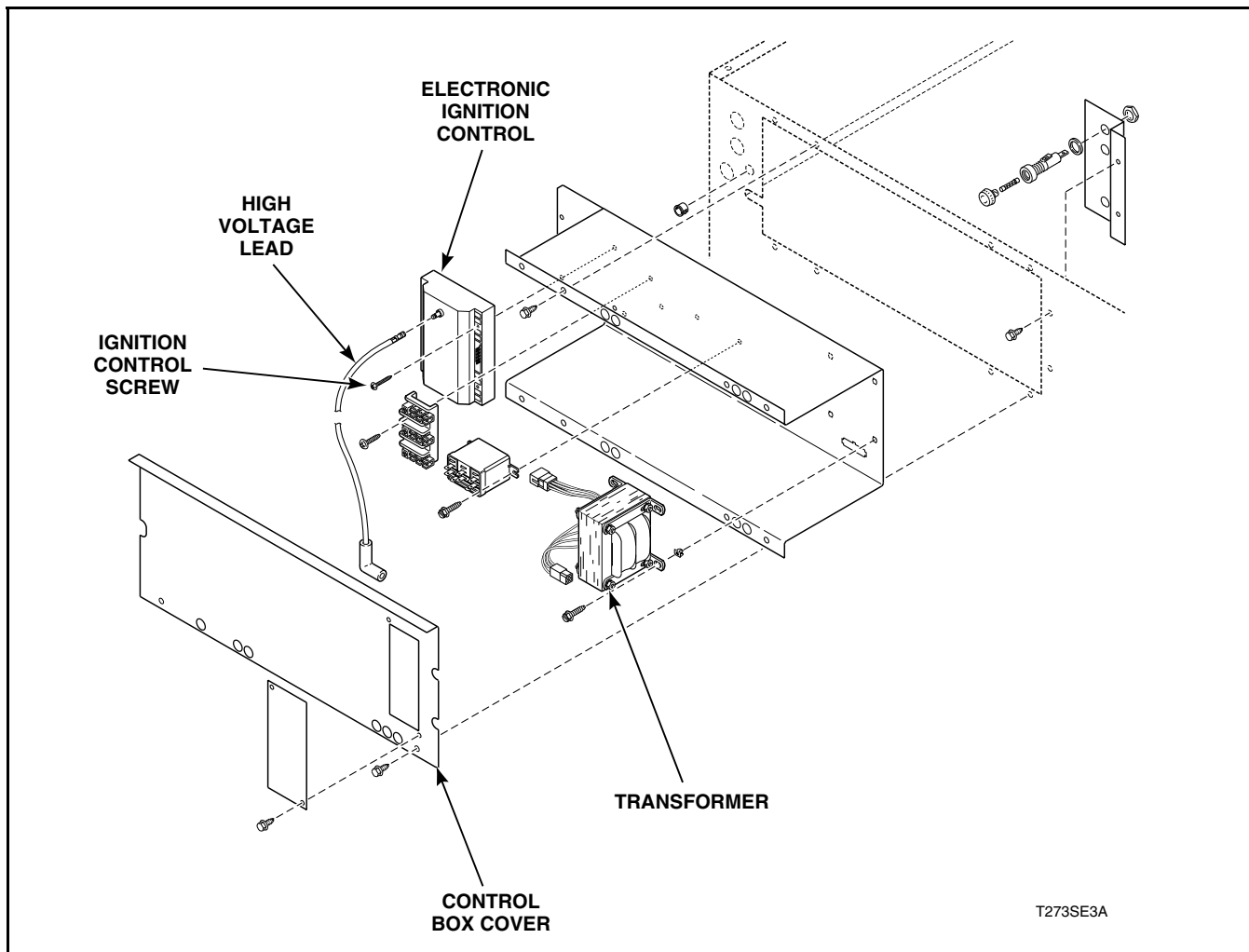


Figure 29



WARNING

To reduce the risk of electric shock, fire, explosion, serious injury or death:

- Disconnect electric power to the tumbler before servicing.
- Close gas shut-off valve to gas tumbler before servicing.
- Close steam valve to steam tumbler before servicing.
- Never start the tumbler with any guards/panels removed.
- Whenever ground wires are removed during servicing, these ground wires must be reconnected to ensure that the tumbler is properly grounded.

W002

38. THERMISTOR

STACKED DRYING TUMBLER

Refer to *Figure 30*.

- a. Remove screws holding guard to blower housing.
- b. Disconnect wires to thermistor.
- c. Unscrew thermistor by turning counterclockwise.

NOTE: Do not turn thermistor by spade terminals.

STAND ALONE DRYING TUMBLER

Refer to *Figure 31*.

- a. Remove screws holding guard to tumbler and remove cover.
- b. Disconnect wires to thermistor.
- c. Unscrew thermistor by turning counterclockwise.

NOTE: Do not turn thermistor by spade terminals.

IMPORTANT: Do not damage thermistor during removal.

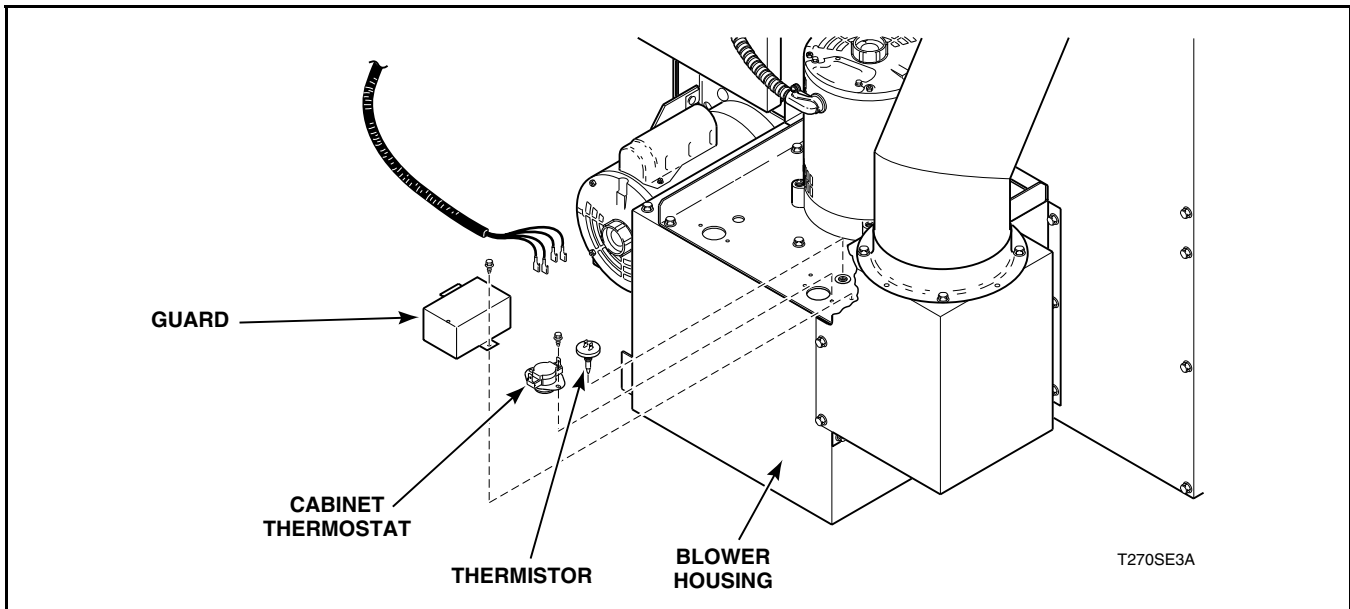


Figure 30



WARNING

To reduce the risk of electric shock, fire, explosion, serious injury or death:

- Disconnect electric power to the tumbler before servicing.
- Close gas shut-off valve to gas tumbler before servicing.
- Close steam valve to steam tumbler before servicing.
- Never start the tumbler with any guards/panels removed.
- Whenever ground wires are removed during servicing, these ground wires must be reconnected to ensure that the tumbler is properly grounded.

W002

39. CABINET THERMOSTAT

STACKED DRYING TUMBLER

Refer to *Figure 30*.

- a. Remove screws holding guard to blower housing.
- b. Disconnect wires to cabinet thermostat.
- c. Remove screws holding thermostat to blower housing and remove cabinet thermostat.

STAND ALONE DRYING TUMBLER

Refer to *Figure 31*.

- a. Remove screws holding guard to tumbler and remove guard.
- b. Disconnect wires from cabinet thermostat.
- c. Remove screws holding cabinet thermostat to cabinet and remove cabinet thermostat.

NOTE: Thermistor and cabinet thermostat are located inside cabinet in models after Serial No. 9807017296. Refer to *Figure 31*.

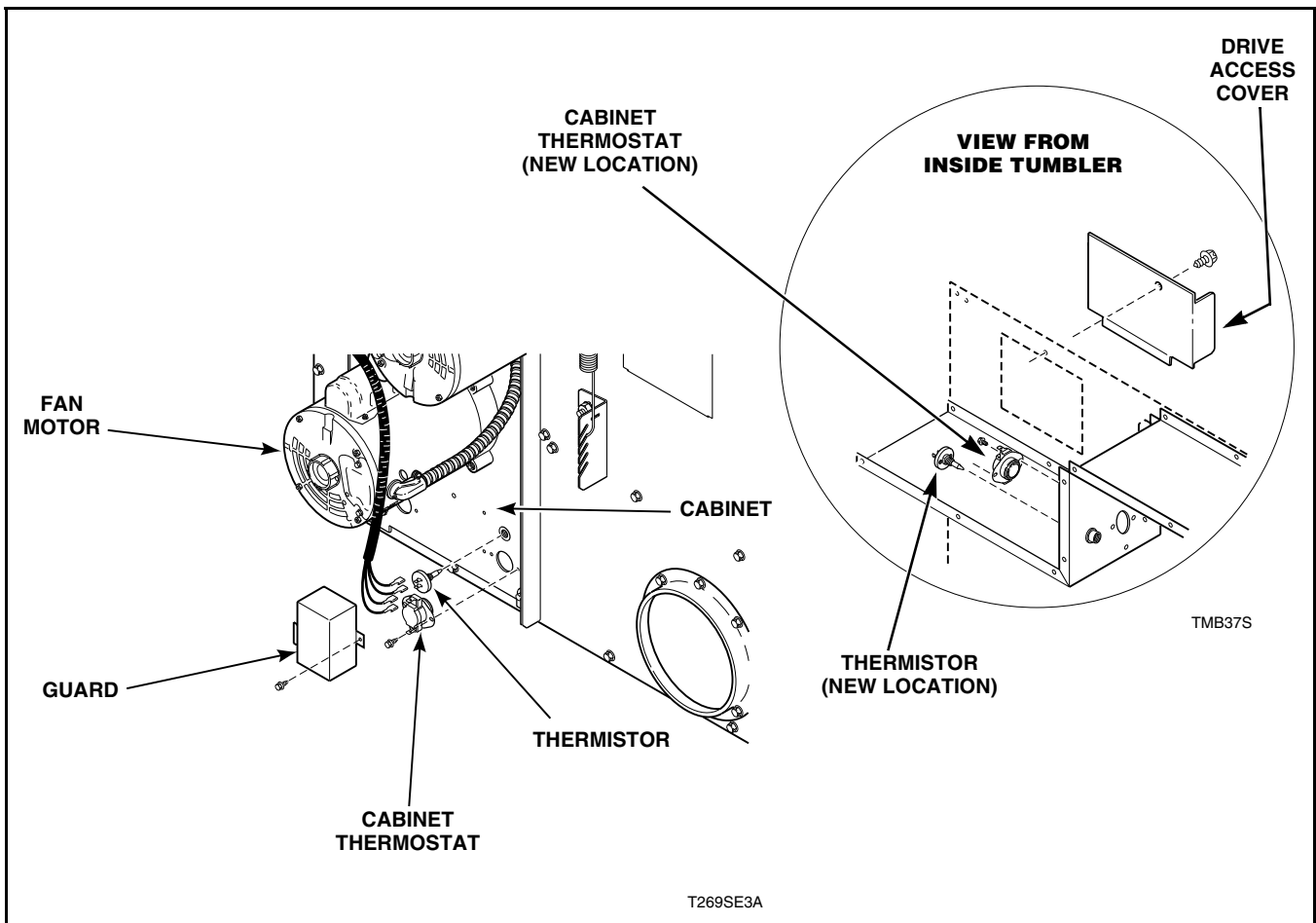


Figure 31



WARNING

To reduce the risk of electric shock, fire, explosion, serious injury or death:

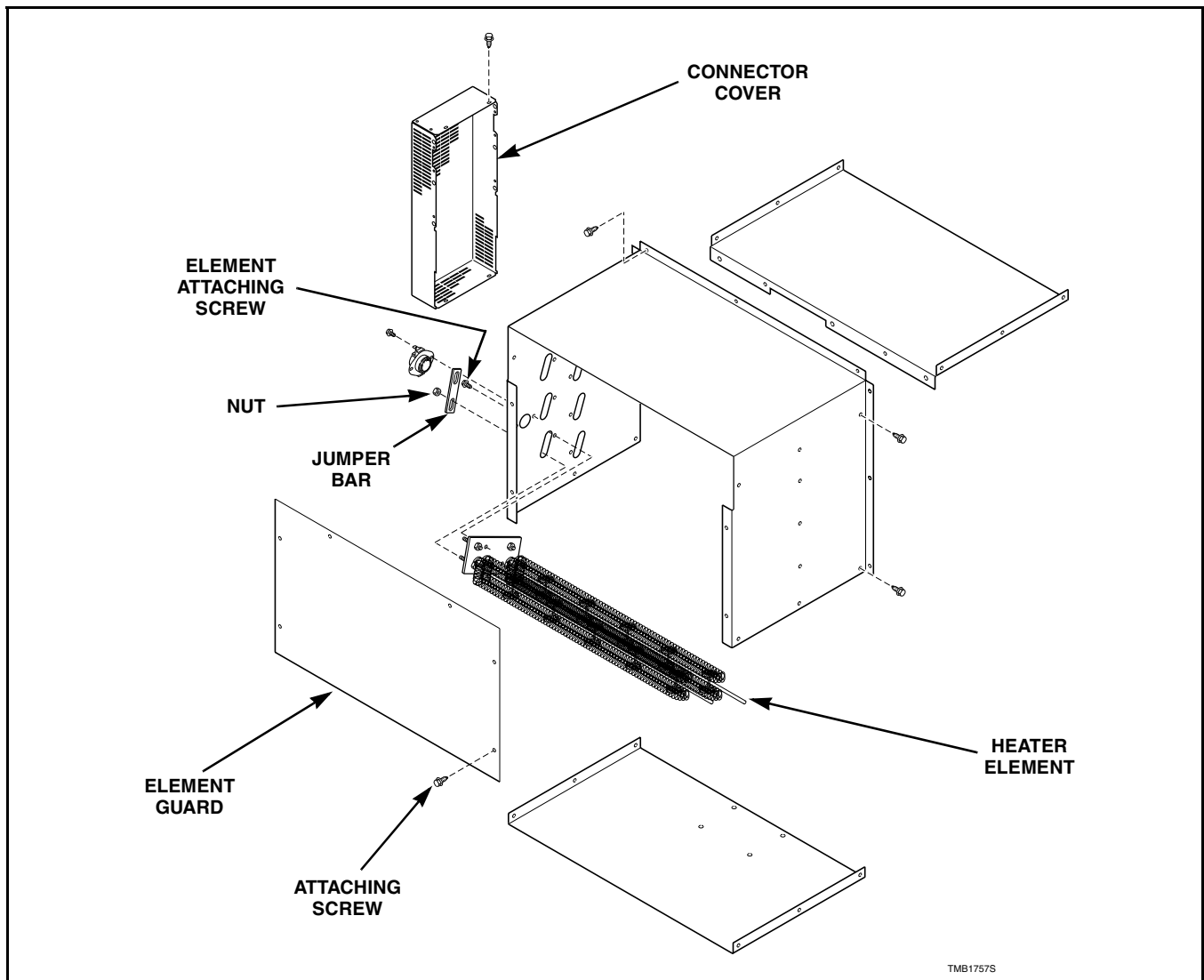
- Disconnect electric power to the tumbler before servicing.
- Close gas shut-off valve to gas tumbler before servicing.
- Close steam valve to steam tumbler before servicing.
- Never start the tumbler with any guards/panels removed.
- Whenever ground wires are removed during servicing, these ground wires must be reconnected to ensure that the tumbler is properly grounded.

W002

40. HEATER ELEMENT (Electric Models)

Refer to *Figure 32*.

- a. Remove three screws holding connector cover in place. Remove guard.
- b. Remove nuts attaching element wires and jumper bars to elements. Disconnect element wires.
- c. Remove six screws holding element guard to back of heater box. Remove guard.
- d. Remove element attaching screw holding element to the left side of stove (viewed from rear of tumbler).
- e. Slide element to right and pull left side of element down and out to the left to remove element (viewed from rear of tumbler).



TMB1757S

Figure 32



WARNING

To reduce the risk of electric shock, fire, explosion, serious injury or death:

- Disconnect electric power to the tumbler before servicing.
- Close gas shut-off valve to gas tumbler before servicing.
- Close steam valve to steam tumbler before servicing.
- Never start the tumbler with any guards/panels removed.
- Whenever ground wires are removed during servicing, these ground wires must be reconnected to ensure that the tumbler is properly grounded.

W002

41. CONTACTORS AND TERMINAL BLOCK (Electric Models)

Refer to *Figure 33*.

- a. Remove screws holding cover and remove cover.
- b. Loosen terminal screws and remove all wires from contactor.

- c. Disconnect wires from contactor.
- d. Remove four contactor attaching screws and remove contactor.

NOTE: Refer to wiring diagram when rewiring contactor.

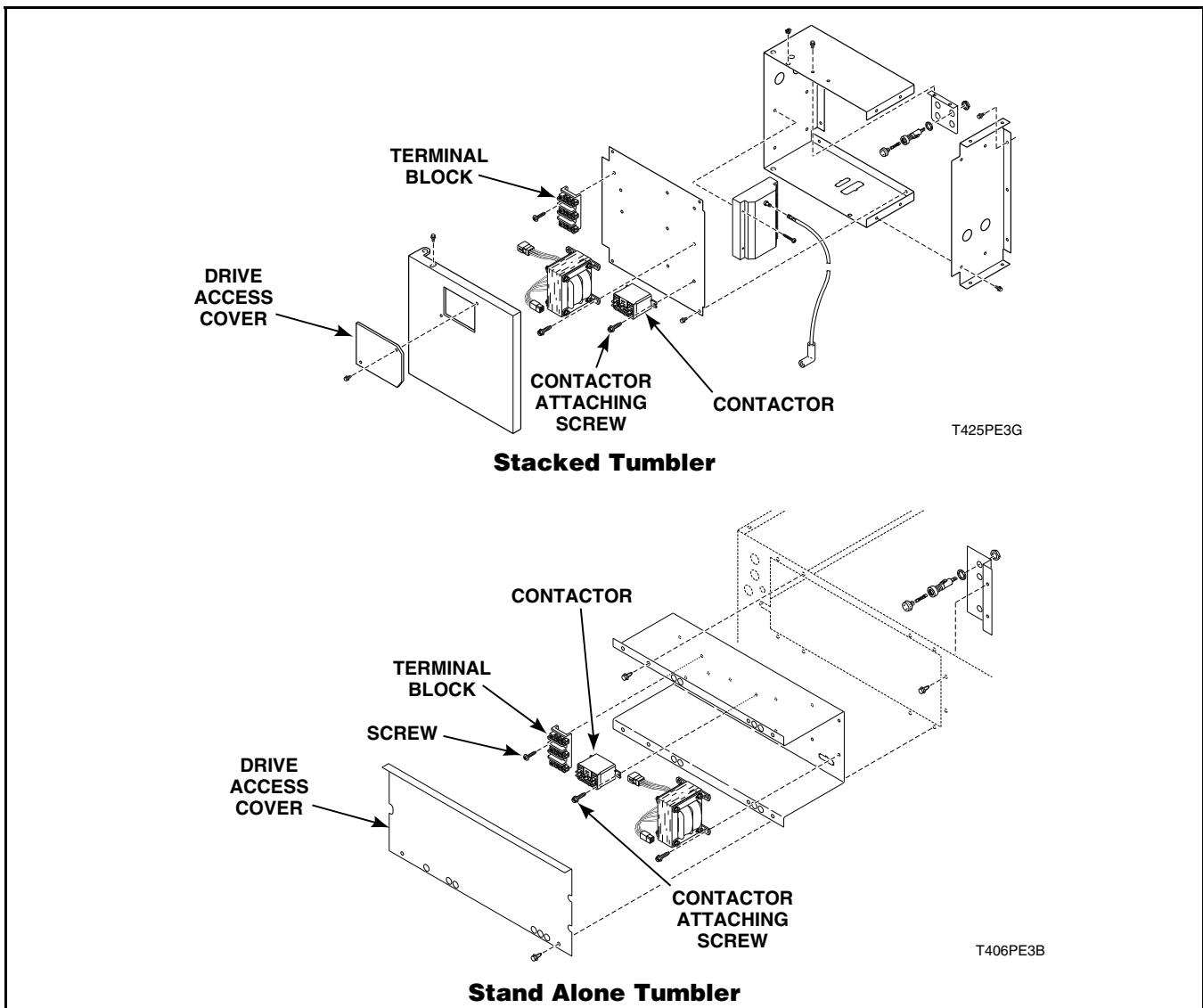


Figure 33



WARNING

To reduce the risk of electric shock, fire, explosion, serious injury or death:

- Disconnect electric power to the tumbler before servicing.
- Close gas shut-off valve to gas tumbler before servicing.
- Close steam valve to steam tumbler before servicing.
- Never start the tumbler with any guards/panels removed.
- Whenever ground wires are removed during servicing, these ground wires must be reconnected to ensure that the tumbler is properly grounded.

W002

42. STEAM COIL

Refer to *Figure 34*.



CAUTION

Allow steam coils and valve to cool down before attempting any service procedures.

W249

- Disconnect pipes to steam coils.
- Remove bottom screws holding steam coils to back of tumbler cabinet.
- Support steam coils and remove top screws, then remove steam coils.

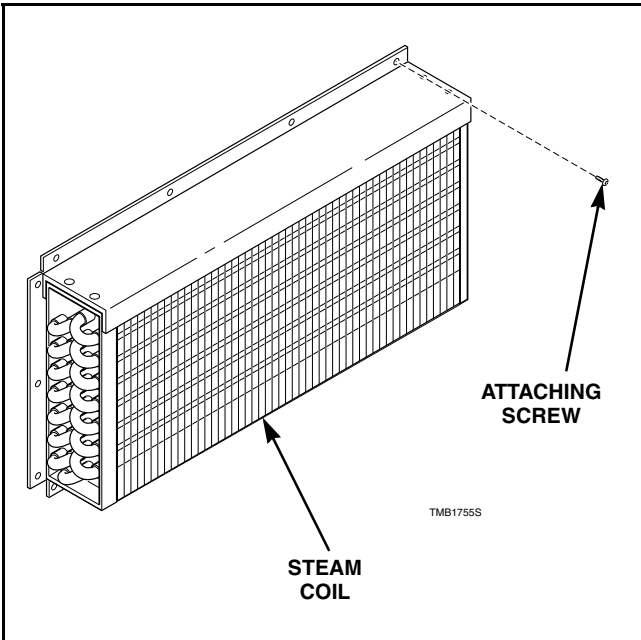


Figure 34

43. STEAM SOLENOID VALVE

Refer to *Figure 35*.



CAUTION

Allow steam coils and valve to cool down before attempting any service procedures.

W249

- Disconnect pipes.
- Disconnect wires.
- Remove valve by turning valve counterclockwise.

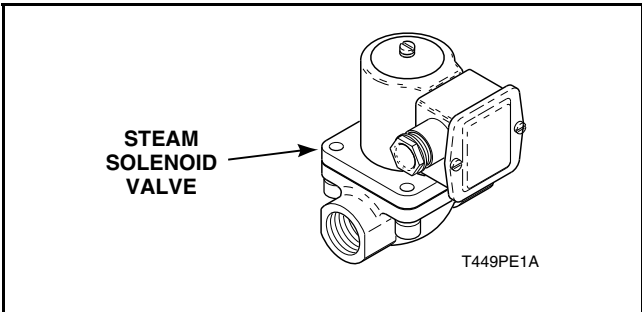


Figure 35



WARNING

To reduce the risk of electric shock, fire, explosion, serious injury or death:

- Disconnect electric power to the tumbler before servicing.
- Close gas shut-off valve to gas tumbler before servicing.
- Close steam valve to steam tumbler before servicing.
- Never start the tumbler with any guards/panels removed.
- Whenever ground wires are removed during servicing, these ground wires must be reconnected to ensure that the tumbler is properly grounded.

W002

44. DRIVE BELT

Refer to *Figure 36*.

STACKED DRYING TUMBLER

- a. Unlock and remove lint drawer. Refer to *Paragraph 19*.
- b. Remove front panel. Refer to *Paragraph 16*.
- c. Remove two screws on drive access cover. Remove door. Refer to *Figure 31*.
- d. Remove palnut, jamnut and washer from cylinder shaft. Refer to *Figure 17*.
- e. Install cylinder guide tool on cylinder shaft. Refer to *Figure 20*.
- f. Remove cylinder.



CAUTION

To reduce the risk of injury, use care when reaching into cabinet through belt service door. The idler pulley could snap into place, causing injury.

W230

- g. Reach into cabinet and carefully apply downward pressure on idler pulley. Slide belt off motor pulley and then slowly release pressure on idler pulley.
- h. Pull cylinder out through front of cabinet. Refer to *Paragraph 27*.

NOTE: Before reassembling cylinder, clean interior of cabinet, checking to make sure all tools have been removed.

INSTALLING BELT

- a. Hang new belt from two screws above rear seal channel and position seal around outside of seal support. Refer to *Figure 20*.
- b. Install cylinder. Refer to *Paragraph 27*, step h.

NOTE: When installing cylinder belt, be sure belt is properly positioned around cylinder and on motor pulley and idler. Rotate cylinder clockwise to align belt around belt path. *Figure 36* shows proper belt position for stacked tumblers.

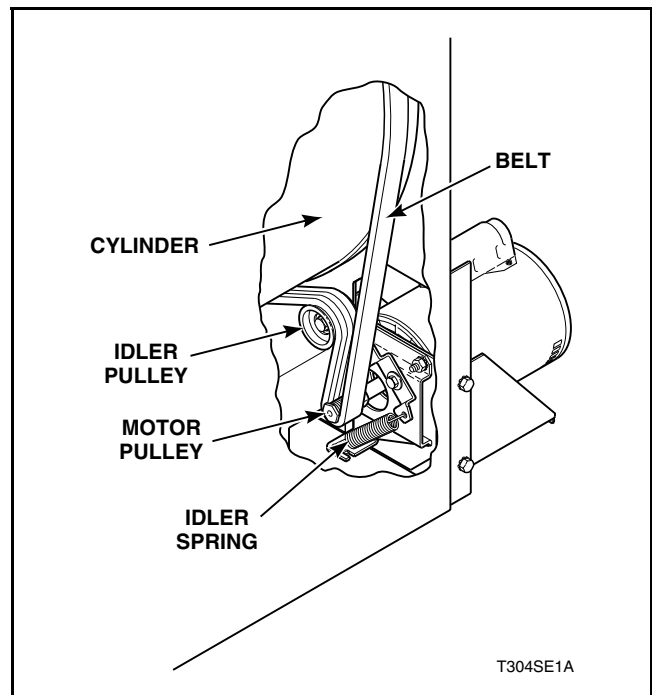


Figure 36



WARNING

To reduce the risk of electric shock, fire, explosion, serious injury or death:

- Disconnect electric power to the tumbler before servicing.
- Close gas shut-off valve to gas tumbler before servicing.
- Close steam valve to steam tumbler before servicing.
- Never start the tumbler with any guards/panels removed.
- Whenever ground wires are removed during servicing, these ground wires must be reconnected to ensure that the tumbler is properly grounded.

W002

STAND ALONE DRYING TUMBLER

Refer to *Figure 37*.

- a. Unlock and remove lint panel. Refer to *Paragraph 19*.
- b. Remove front panel. Refer to *Paragraph 16*.
- c. Remove palnut, jamnut and washer from trunnion shaft. Refer to *Figure 17*.
- d. Install cylinder guide tool on cylinder shaft. Refer to *Figure 20*.

- e. Remove drive access cover at rear of tumbler. Refer to *Figure 31*.
- f. Raise motor assembly and run belt off motor pulley.
- g. Pull cylinder out through front of cabinet. Refer to *Paragraph 27*.

NOTE: Before reassembling cylinder, clean interior of cabinet, checking to make sure all tools have been removed.

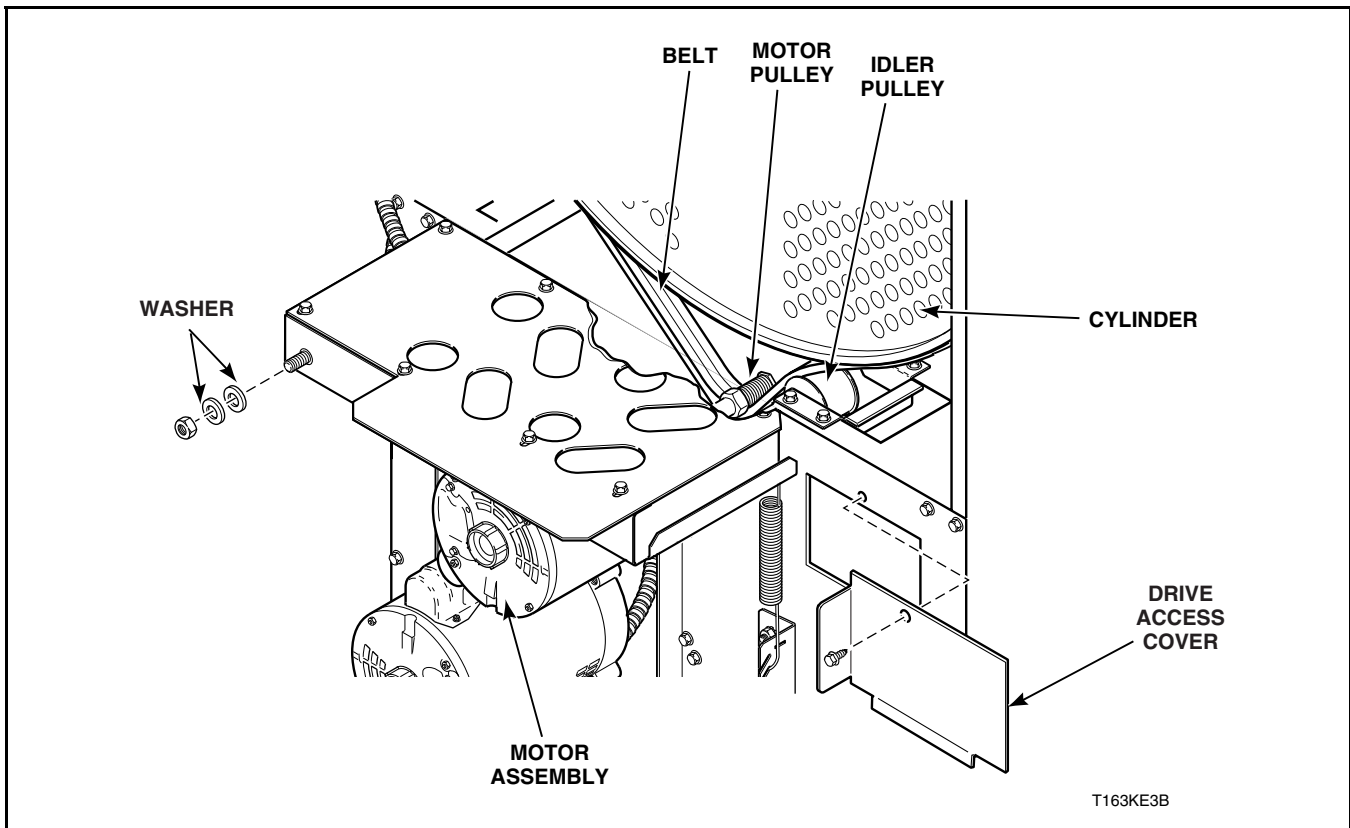


Figure 37



WARNING

To reduce the risk of electric shock, fire, explosion, serious injury or death:

- Disconnect electric power to the tumbler before servicing.
- Close gas shut-off valve to gas tumbler before servicing.
- Close steam valve to steam tumbler before servicing.
- Never start the tumbler with any guards/panels removed.
- Whenever ground wires are removed during servicing, these ground wires must be reconnected to ensure that the tumbler is properly grounded.

W002

45. FAN

STACKED DRYING TUMBLER

Refer to *Figure 38*.

- a. Remove airflow switch. Refer to *Paragraph 31*.
- b. Remove guard and harness. Refer to *Figure 7*.
- c. Unscrew thermistor. Refer to *Figure 30*.

NOTE: Do not turn thermistor by spade terminals.

IMPORTANT: Before attempting to service fan, always remove thermistor to prevent damage.

- d. Remove ten screws holding fan motor to tumbler.
- e. Tilt fan motor forward until it clears stove.
- f. Lift fan motor out.
- g. Remove jamnut and palnut holding fan to motor shaft. Refer to *Figure 40*.

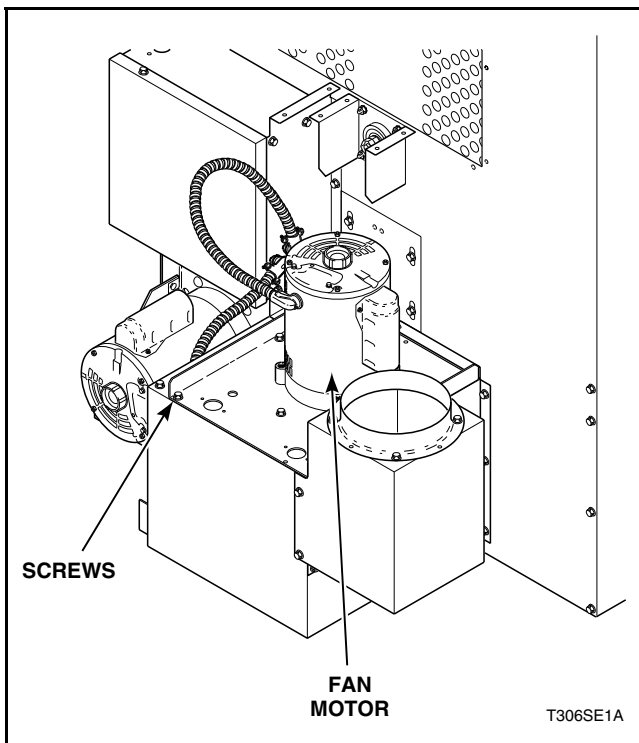


Figure 38

STAND ALONE DRYING TUMBLER

Refer to *Figure 39*.

- a. Unscrew thermistor.
- b. Remove four nuts and six screws holding fan to rear of tumbler.
- c. Tip fan up from bottom to remove.
- d. Remove jamnut and palnut holding fan to motor shaft. Refer to *Figure 41*.
- e. Slide fan off shaft.

NOTE: Before attempting to service fan, always remove thermistor to prevent damage.

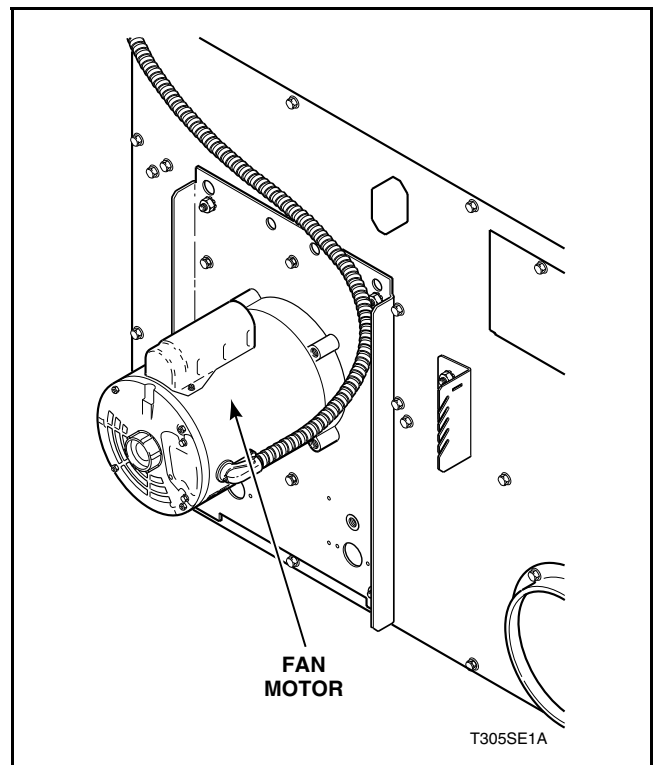


Figure 39



WARNING

To reduce the risk of electric shock, fire, explosion, serious injury or death:

- Disconnect electric power to the tumbler before servicing.
- Close gas shut-off valve to gas tumbler before servicing.
- Close steam valve to steam tumbler before servicing.
- Never start the tumbler with any guards/panels removed.
- Whenever ground wires are removed during servicing, these ground wires must be reconnected to ensure that the tumbler is properly grounded.

W002

46. FAN MOTOR ASSEMBLY

STACKED DRYING TUMBLER

Refer to *Figure 40*.

- a. Remove cabinet limit cover and harness. Refer to *Figure 30*.
- b. Unscrew thermistor.

NOTE: Do not turn thermistor by spade terminals.

IMPORTANT: Before attempting to service fan, always remove thermistor to prevent damage.

- c. Disconnect wire harness to fan motor.
- d. Remove ten screws holding fan motor assembly to blower housing. Refer to *Figure 38*.
- e. Tilt fan motor forward until it clears stove.
- f. Remove palnut and jamnut holding fan to motor shaft and remove fan from motor shaft.
- g. Remove four bolts holding fan motor to mounting plate and remove motor.

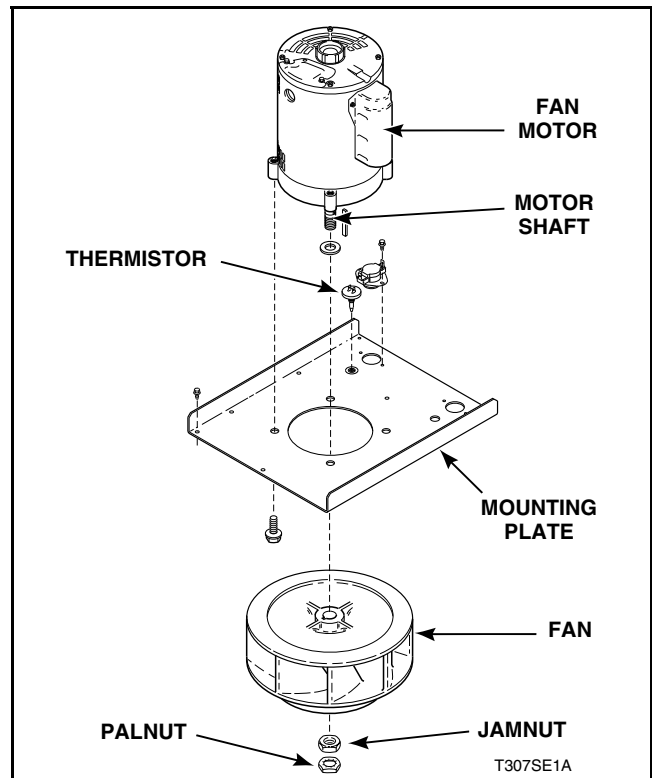


Figure 40



WARNING

To reduce the risk of electric shock, fire, explosion, serious injury or death:

- Disconnect electric power to the tumbler before servicing.
- Close gas shut-off valve to gas tumbler before servicing.
- Close steam valve to steam tumbler before servicing.
- Never start the tumbler with any guards/panels removed.
- Whenever ground wires are removed during servicing, these ground wires must be reconnected to ensure that the tumbler is properly grounded.

W002

STAND ALONE DRYING TUMBLER

Refer to *Figure 41*.

- a. Remove sensor guard from fan motor mounting plate.

IMPORTANT: Before attempting to service fan, always remove thermistor to prevent damage.

- b. Remove six screws and four nuts holding fan motor mounting plate to cabinet.
- c. Remove palnut and jamnut from motor shaft and remove fan from motor shaft.
- d. Remove bolts holding mounting plate to motor and remove motor.

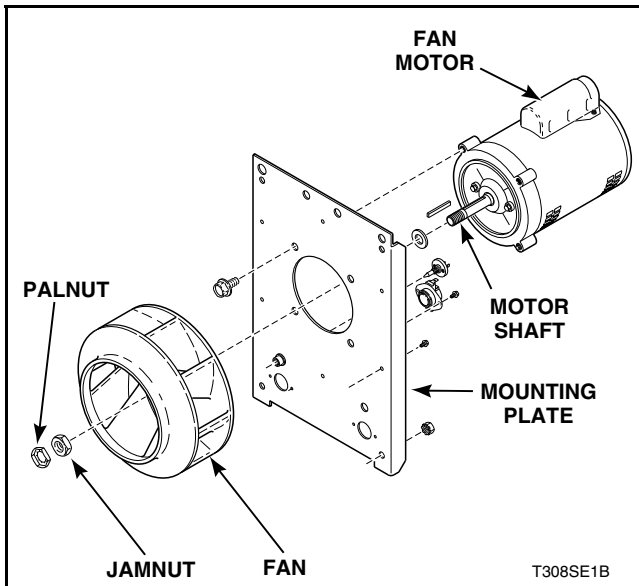


Figure 41

47. DRIVE MOTOR

STACKED DRYING TUMBLER

Refer to *Figure 42*.

- a. Remove two screws attaching drive access cover to cabinet. Remove door. Refer to *Figure 31*.
- b. Reach into cabinet and carefully apply downward pressure on idler pulley. Slide belt off pulley and slowly release pressure on idler pulley. Refer to *Figure 36*.



CAUTION

To reduce the risk of injury, use care when reaching into cabinet through belt service door. The idler pulley could snap into place, causing injury.

W230

- c. Remove two screws holding the motor harness conduit cover to connector at motor. Remove conduit cover.
- d. Disconnect two harness wires from motor and pull wires out. Turn harness connector out of motor.
- e. Remove four nuts holding motor and motor mount to back of cabinet. Refer to *Figure 42*.
- f. Remove motor assembly.

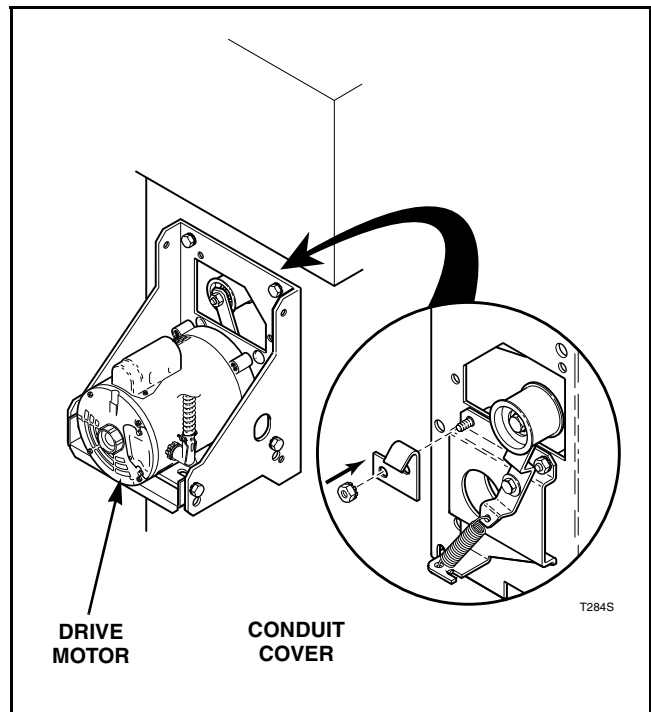


Figure 42



WARNING

To reduce the risk of electric shock, fire, explosion, serious injury or death:

- Disconnect electric power to the tumbler before servicing.
- Close gas shut-off valve to gas tumbler before servicing.
- Close steam valve to steam tumbler before servicing.
- Never start the tumbler with any guards/panels removed.
- Whenever ground wires are removed during servicing, these ground wires must be reconnected to ensure that the tumbler is properly grounded.

W002

STAND ALONE DRYING TUMBLER

Refer to *Figure 43*.

- a. Remove two screws holding drive access cover in place. Remove door. Refer to *Figure 31*.
- b. Lift motor up.
- c. Reach into cabinet and disconnect belt by rolling off pulley.
- d. Unscrew bolt at end of shaft.
- e. While supporting motor, remove four bolts on top of motor.
- f. Disconnect spring.
- g. Remove motor.

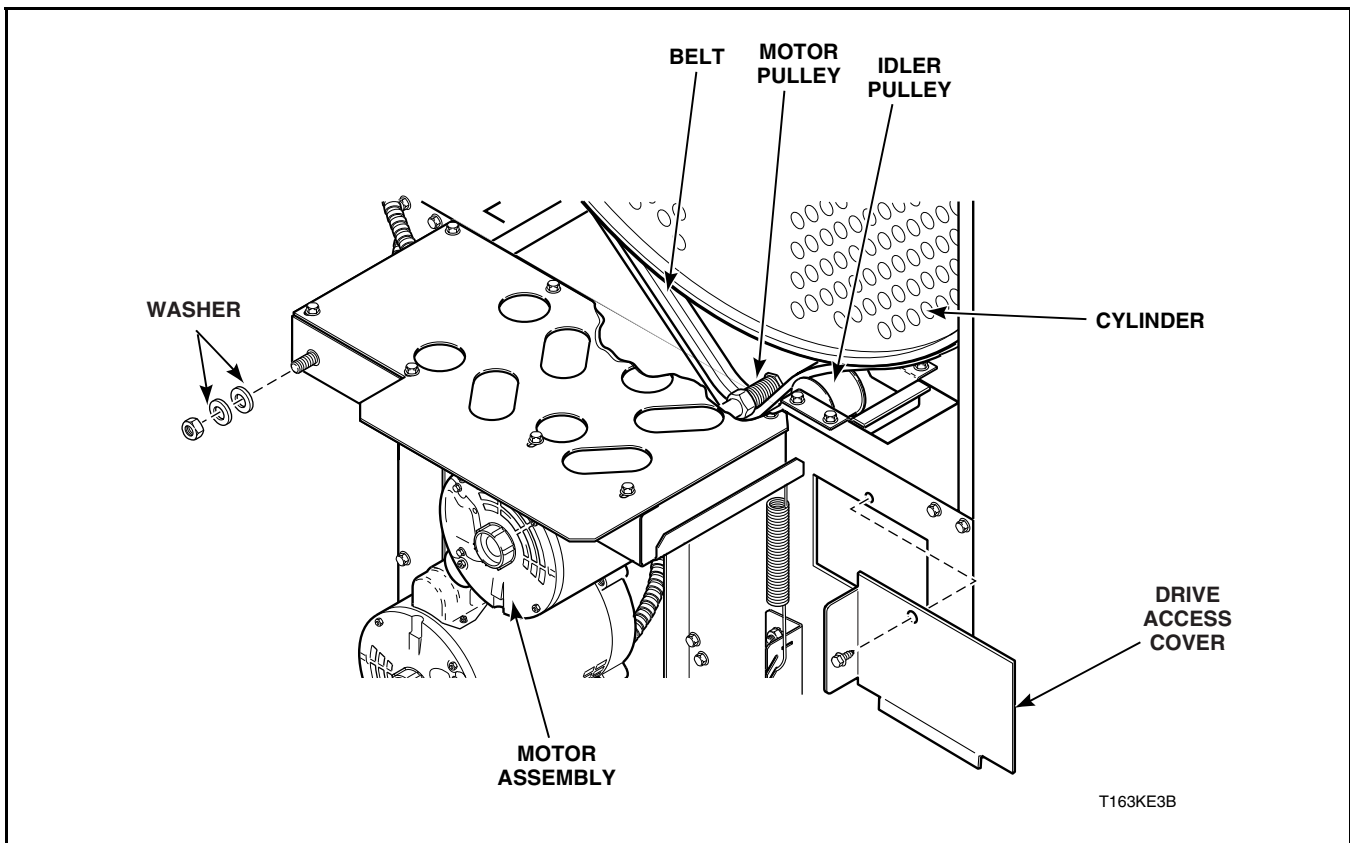


Figure 43

Section 6 Adjustments



WARNING

To reduce the risk of electric shock, fire, explosion, serious injury or death:

- Disconnect electric power to the tumbler before servicing.
- Close gas shut-off valve to gas tumbler before servicing.
- Close steam valve to steam tumbler before servicing.
- Never start the tumbler with any guards/panels removed.
- Whenever ground wires are removed during servicing, these ground wires must be reconnected to ensure that the tumbler is properly grounded.

W002

48. LEVELING LEGS

NOTE: Keep the tumbler as close to the floor as possible. All legs must rest firmly on the floor so weight of tumbler is evenly distributed. Tumbler must not rock.

- a. Check front to rear level by rotating clothes cylinder until one of the cylinder ribs is at the bottom. Place a level on the rib. Adjust legs as necessary.

NOTE: The front of the tumbler should be slightly higher than the rear (approximately 1/8 inch, 3.18 mm). This will prevent the clothes, while tumbling, from wearing on the door glass gasket.

- b. Check side to side level by placing a level on front and rear of top panel. Adjust legs as necessary.

IMPORTANT: Do not remove plastic caps covering leveling legs in lint compartment.



WARNING

The stacked drying tumbler has a 5th leveling leg on the blower housing. It is very important to properly adjust this leg. Unit is back heavy and could rock or tip.

W250

STACKED TUMBLER ONLY

Refer to *Figure 44*.

- a. Level four main legs and then run fifth leg to floor and secure.

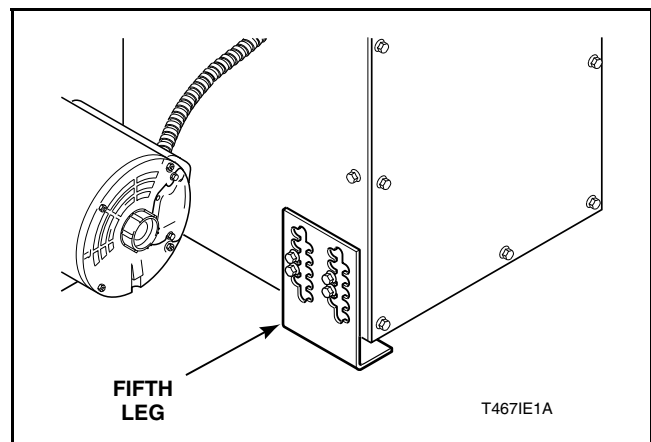


Figure 44

49. AIRFLOW SWITCH ADJUSTMENT

The airflow switch is set at the factory for proper operation. No adjustment necessary.



WARNING

To reduce the risk of electric shock, fire, explosion, serious injury or death:

- Disconnect electric power to the tumbler before servicing.
- Close gas shut-off valve to gas tumbler before servicing.
- Close steam valve to steam tumbler before servicing.
- Never start the tumbler with any guards/panels removed.
- Whenever ground wires are removed during servicing, these ground wires must be reconnected to ensure that the tumbler is properly grounded.

W002

50. CYLINDER DOOR SWITCH

The door switch should be adjusted so the cylinder stops when door is opened 2 inches (51 mm), plus or minus 1/4 inch (6 mm). The switch is normally open and is closed when the door is closed. If adjustment is needed, proceed as follows:

- a. Close door and start tumbler. Slowly open loading door. Cylinder and heat system should shut off when door is open 2 inches (51 mm), plus or minus 1/4 inch (6 mm).
- b. Slowly close loading door. When door is 2 inches or less from being fully closed, the switch actuator on the door should contact the switch plunger and depress it enough to close the switch with an audible “click”.

If tab does not depress the switch plunger enough to operate the switch, bend tab on loading door OUTWARD and repeat steps “a” and “b.”.

EU MODELS

European tumblers have a second door switch near the top of the door. Refer to *Figure 45*. This switch also should be adjusted so the cylinder stops when door is opened 2 inches (51 mm), plus or minus 1/4 inch (6 mm). This switch is normally closed and is opened by the hinge cam when the door is opened. If adjustment is needed, proceed as follows:

- a. Remove lower switch actuator so upper switch click can be heard.
- b. Loosen upper door switch screws just enough so switch can be moved left or right. Move switch right if door opens too far before switch clicks. Move switch left if door doesn't open far enough before switch clicks.
- c. Retighten door switch screws and retest. Repeat step “b” if further adjustment is needed.
- d. Reinstall lower switch actuator.

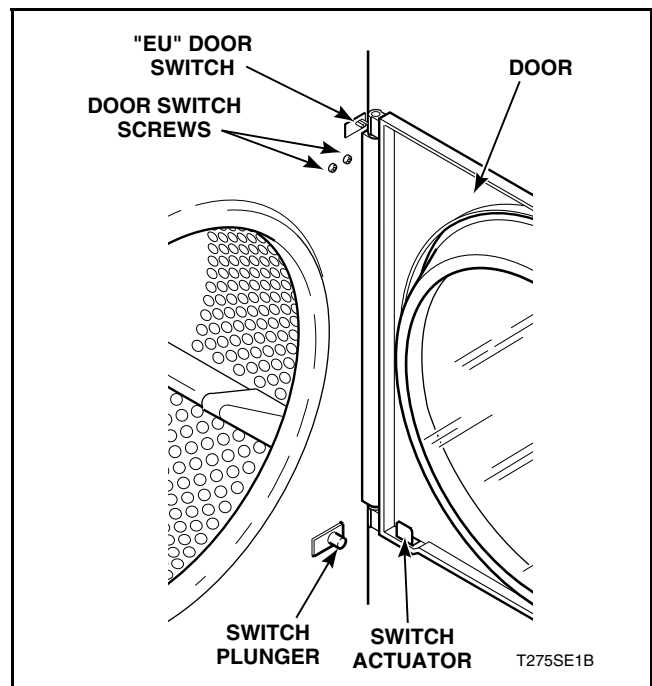


Figure 45



WARNING

To reduce the risk of electric shock, fire, explosion, serious injury or death:

- Disconnect electric power to the tumbler before servicing.
- Close gas shut-off valve to gas tumbler before servicing.
- Close steam valve to steam tumbler before servicing.
- Never start the tumbler with any guards/panels removed.
- Whenever ground wires are removed during servicing, these ground wires must be reconnected to ensure that the tumbler is properly grounded.

W002

51. CYLINDER DOOR STRIKE

(Refer to *Figure 46*)

The door strike must be adjusted so that sufficient tension holds loading door closed against the force of a load tumbling against it. The door is properly adjusted when 8-15 lbs. (3.60-6.75 kg) of pull is required to open door.

To adjust, open door, loosen jamnut and turn door strike screw in or out as required. Retighten jamnut.

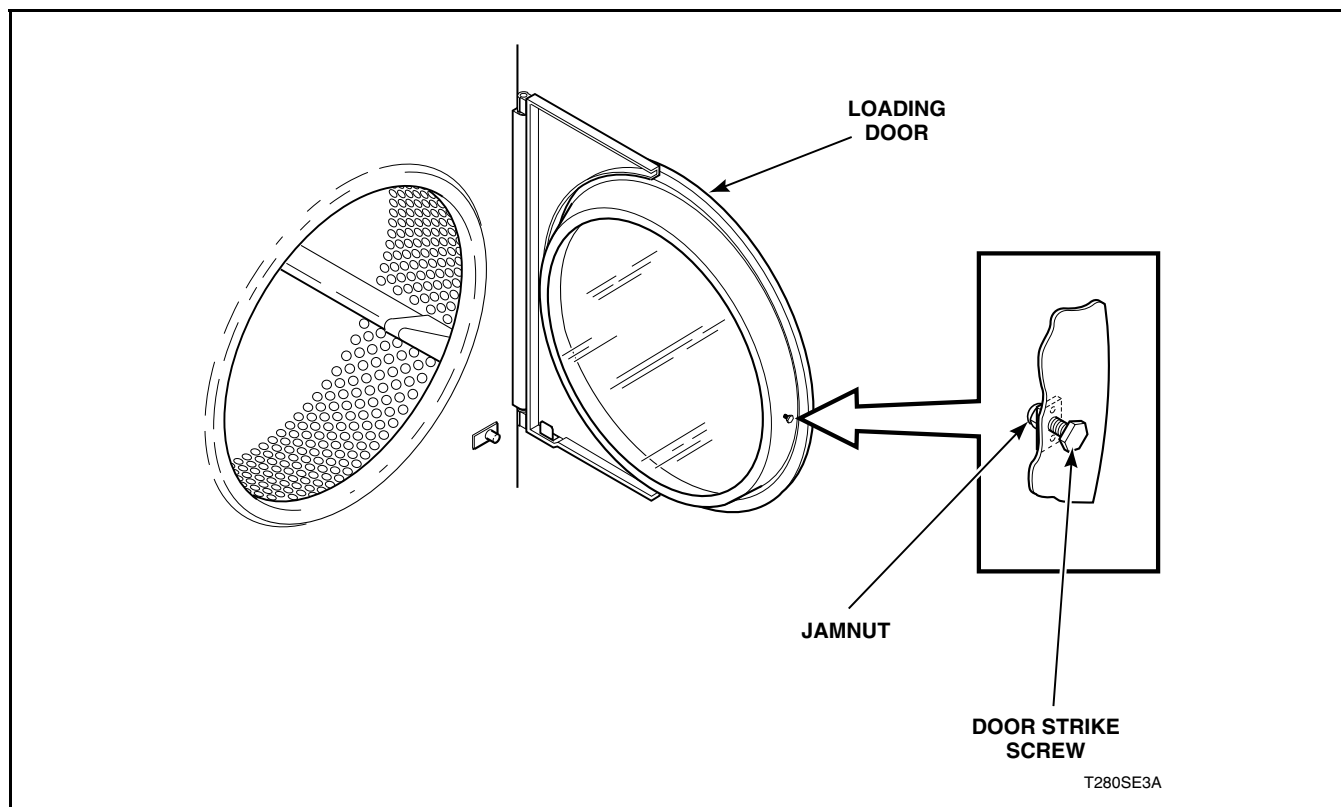
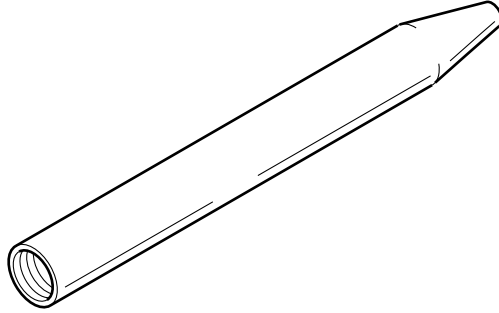


Figure 46

Section 7

Special Tools



T147SE3A

263P4
CYLINDER GUIDE TOOL