

AD-200

1 Auto Door / 2-Way Tilt
Operator's Manual

WARNING: For your safety the information in this manual must be followed to minimize the risk of fire or explosion or to prevent property damage, personal injury or loss of life.

Do not store or use gasoline or other flammable vapors and liquids in the vicinity of this or any other appliance.

WHAT DO YOU DO IF YOU SMELL GAS

- * Do not try to light any appliance.
- * Do not touch any electrical switch; do not use any phone in your building.
- * Clear the room, building or area of all occupants.
- * Immediately call your gas supplier from a neighbor's phone. Follow the gas supplier's instructions.
- * If you cannot reach your gas supplier, call the fire department.

Installation and service must be performed by a qualified installer, service agency or the gas supplier.



For replacement parts, contact the distributor from which the dryer was purchased or
American Dryer Corporation
88 Currant Road
Fall River MA 02720-4781
Telephone: (508) 678-9010 / Fax: (508) 678-9447

Retain This Manual In A Safe Place For Future Reference

American Dryer Corporation products embody advanced concepts in engineering, design, and safety. If this product is properly maintained, it will provide many years of safe, efficient, and trouble-free operation.

ONLY properly licensed technicians should service this equipment.

Observe all safety precautions displayed on the equipment or specified in the installation/ operator's manual included with the dryer.

UNDER NO CIRCUMSTANCES should the door switches, level switches, or the heat circuit devices ever be disabled.

We have tried to make this manual as complete as possible and hope you will find it useful. ADC reserves the right to make changes from time to time, without notice or obligation, in prices, specifications, colors, and material, and to change or discontinue models.

Important

For your convenience, log the following information:

DATE OF PURCHASE _____ MODEL NO. **AD-200**

DISTRIBUTOR'S NAME _____

Serial Number(s) _____

Replacement parts can be obtained from your distributor or the ADC factory. When ordering replacement parts from the factory, you can FAX your order to ADC at (508) 678-9447 or telephone your orders directly to the ADC Parts Department at (508) 678-9010. Please specify the dryer model number and serial number in addition to the description and part number, so that your order is processed accurately and promptly.

The illustrations on the following pages may not depict your particular dryer exactly. The illustrations are a composite of the various dryer models. Be sure to check the descriptions of the parts thoroughly before ordering.

INSTRUCTIONS TO BE FOLLOWED IN THE EVENT THE USER SMELLS GAS MUST BE POSTED IN A PROMENT LOCATION. THE INSTRUCTIONS TO BE POSTED SHALL BE OBTAINED FROM THE LOCAL GAS SUPPLIER.

IMPORTANT

YOU MUST DISCONNECT and LOCKOUT THE ELECTRIC SUPPLY and THE GAS SUPPLY or THE STEAM SUPPLY BEFORE ANY COVERS or GUARDS ARE REMOVED FROM THE MACHINE TO ALLOW ACCESS FOR CLEANING, ADJUSTING, INSTALLATION, or TESTING OF ANY EQUIPMENT per OSHA (Occupational Safety and Health Administration) STANDARDS.

CAUTION

LABEL ALL WIRES PRIOR TO DISCONNECTION WHEN SERVICING THE COMPUTER BOARD and THE IGNITION MODULE. WIRING ERRORS CAN CAUSE IMPROPER AND DANGEROUS OPERATION. WIRING ERRORS CAN CAUSE IMPROPER AND DANGEROUS OPERATION.

CAUTION

DRYER(S) SHOULD NEVER BE LEFT UNATTENDED WHILE IN OPERATION.

WARNING

The dryer must not be operated with any of the the front control doors, side access doors, or service panels removed. PERSONAL INJURY COULD RESULT.

FOR YOUR SAFETY

DO NOT STORE OR USE GASOLINE OR OTHER FLAMMABLE VAPOR AND LIQUIDS IN THE VICINITY OF THIS OR ANY OTHER APPLIANCE.

DO NOT DRY MOP HEADS IN THE DRYER.

DO NOT USE DRYER IN THE PRESENCE OF DRY CLEANING FUMES.

IMPORTANT

PLEASE OBSERVE ALL SAFETY PRECAUTIONS displayed on the equipment and/or specified in the installation/operator's manual included with the dryer.

Dryer(s) must not be installed or stored in an area where it will be exposed to water and/or weather.

The wiring diagram for the dryer is located in the front left electrical control box area.

Table of Contents

- AD-200 Machine Operation Summary 2**
 - AD-200 Front View 3

- AD-200 Detailed Operation Information 4**
 - DRY 4
 - LOAD/UNLOAD 4
 - Load/Unload Level 4
 - Load Tilted 5
 - Unload Tilted 5
 - Dry 5

AD-200

1 Auto Door / 2-Way Tilt

MACHINE OPERATION SUMMARY

This AD-200 incorporates one (1) Emergency Stop Button located on the right front control door (refer to the illustration on page 3). This button is "TURN TO RELEASE" and **must** be in the released mode to power the machine. The Phase 5 microcomputer's display will light when the Emergency Stop Button is released. To turn on the AD-200's control voltage, press the green "ON" button located on the right front control panel.

NOTE: If a Sprinkler System is incorporated in the machine, the Sprinkler System **must** be powered for the control power to engage. Refer to the AD-200 Sprinkler System Addendum (ADC Part No. 112132) for Sprinkler System information.

The AD-200 has two (2) electronic controllers:

- Phase 5 micro-computer...for material drying.
- Micro-1 PLC (Programmable Logic Controller)...for loading, unloading, and burner status monitoring.

The Phase 5 microcomputer responds to keypad commands only when the AD-200's tumbler section is level with **ALL** doors and the lint drawer closed. The Micro-1 PLC (Programmable Logic Controller) controls loading and unloading only when the AD-200 is not drying material.

"LOAD - DRY - UNLOAD" selector switch, located on the right front control door (refer to the illustration on page 3), is provided for loading and unloading the AD-200. This selector switch *will not* operate while the AD-200 is in a drying cycle.

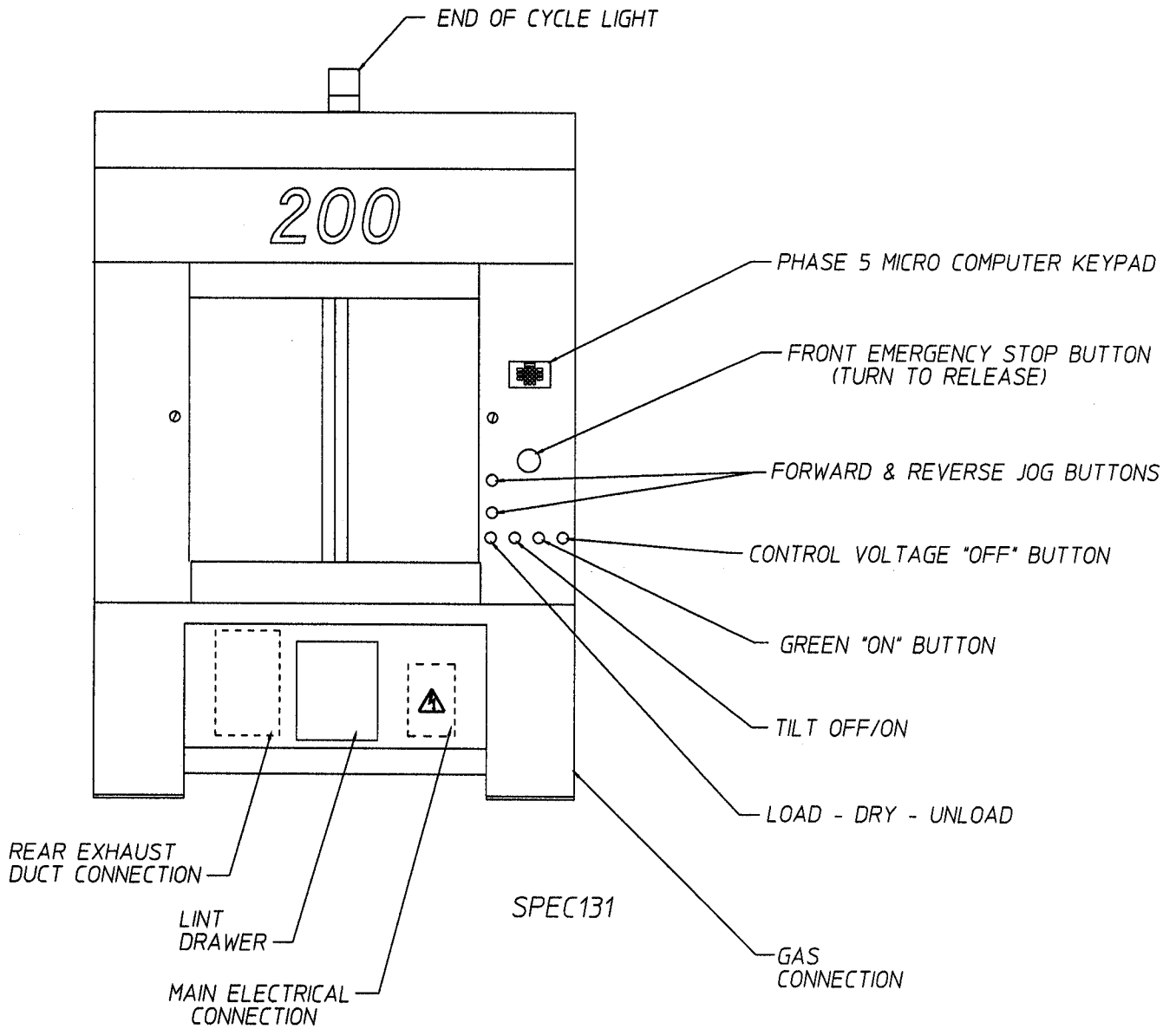
NOTE: The "LOAD - DRY - UNLOAD" selector switch works in conjunction with the "TILT OFF/ON" selector, where the operator can select whether to "LOAD" or "UNLOAD" the dryer in the level or tilted position.

The "TILT OFF/ON" selector, located on the right front control door (refer to the illustration on page 3), is for enabling or disabling the "LOAD/UNLOAD" tilt functions;

i.e., "LOAD LEVEL" - "UNLOAD LEVEL"
"LOAD TILTED" - "UNLOAD TILTED"

In the "OFF" position the doors will open, however, the machine *will not tilt*. Likewise, in the "ON" position, loading and unloading will occur in their respective tilt positions.

AD-200 FRONT VIEW



The AD-200 Tilt/ Auto Doors operate in the following manner:

- Doors **must be open** prior to tilting forwards or backwards from a level position.

IMPORTANT: The lint drawer **must be closed** prior to a tilt command. Failure to close the lint drawer completely (to engage the lint drawer closed switch) will prevent tilting of the dryer.

AD-200 DETAILED OPERATION INFORMATION

DRY

To dry material, the "LOAD - DRY - UNLOAD" selector switch **must be** in the Dry Position, the front Auto Doors **must be** closed, and tumbler section level.

Once **ALL** the conditions are satisfied the Phase 5 microcomputers keypad will respond to keystroke inputs and drying cycles can be selected.

Anytime the airjet signal is asserted the "END OF CYCLE" light will begin to flash once a second and remain on until either a "LOAD" or "UNLOAD" selection is made.

LOAD/UNLOAD

"LOAD/UNLOAD" LEVEL

A "LOAD" or "UNLOAD" level selection will cause the following to occur:

- The "END OF CYCLE" light will stop flashing.
- The Phase 5 keyboard will become inactive
- The front doors will open.

NOTE: The jog feature *does not* operate in the level position.

"LOAD TILTED"

A "LOAD TILTED" selection will cause the following to occur:

- The "END OF CYCLE" light will stop flashing.
- The Phase 5 keyboard will become inactive.
- The front doors will open.
- The tumbler section will tilt to the rear (front up).
- Once the tumbler tilts, the front jog functions will be enabled. The jog function allows the operator to jog the tumbler forward or reverse to load material into the tumbler.

"UNLOAD TILTED"

The "UNLOAD TILTED" selection will cause the following to occur:

- The "END OF CYCLE" light will stop flashing.
- The Phase 5 keyboard will become inactive.
- The front doors will open.
- The tumbler section will tilt to the front (rear up).
- Once the tumbler tilts, the front jog functions will be enabled. The jog function allows the operator to jog the tumbler forward or reverse to unload material from the tumbler.

NOTE: There is a 4 to 5 second dwell time between a forward and a reverse selection to prevent plug starting the drive motor.

"DRY"

If the machine is in the level position, the "DRY" selection will:

- Close the front doors.
- Enable the Phase 5 keyboard to respond to keypad inputs.

If the machine is in the tilted position, the "DRY" selection will:

- Close the front doors.
- Disable the front jog buttons.
- Level the tumbler section.
- Enable the Phase 5 keyboard to respond to keypad inputs.

ADC 112236 1-08/04/95-10 2*-09/20/95-10

