

AD-310 Phase 7

(with Non-Tilting Options)

Installation Manual

WARNING: For your safety the information in this manual must be followed to minimize the risk of fire or explosion or to prevent property damage, personal injury or death.

— Do not store or use gasoline or other flammable vapor and liquids in the vicinity of this or any other appliance.

— **WHAT DO YOU DO IF YOU SMELL GAS**

- * Do not try to light any appliance.
- * Do not touch any electrical switch; do not use any phone in your building.
- * Clear the room, building or area of all occupants.
- * Immediately call your gas supplier from a neighbor's phone. Follow the gas supplier's instructions.
- * If you cannot reach your gas supplier, call the fire department.

— Installation and service must be performed by a qualified installer, service agency or the gas supplier.

AVERTISSEMENT: Assurez-vous de bien suivre les instructions données dans cette notice pour réduire au minimum le risque d'incendie ou d'explosion ou pour éviter tout dommage matériel, toute blessure ou la mort.

— Ne pas entreposer ni utiliser d'essence ni d'autres vapeurs ou liquides inflammables dans le voisinage de cet appareil ou de tout autre appareil.

— **QUE FAIRE SI VOUS SENTEZ UNE ODEUR DE GAZ:**

- * Ne pas tenter d'allumer d'appareil.
- * Ne touchez à aucun interrupteur. Ne pas vous servir des téléphones se trouvant dans le bâtiment où vous vous trouvez.
- * Évacuez la pièce, le bâtiment ou la zone.
- * Appelez immédiatement votre fournisseur de gaz depuis un voisin. Suivez les instructions du fournisseur.
- * Si vous ne pouvez rejoindre le fournisseur de gaz, appelez le service des incendies.

— L'installation et l'entretien doivent être assurés par un installateur ou un service d'entretien qualifié ou par le fournisseur de gaz.



For replacement parts, contact the reseller from which the dryer was purchased or

American Dryer Corporation

88 Carrant Road

Fall River MA 02720-4781

Telephone: (508) 678-9000 / Fax: (508) 678-9447

E-mail: techsupport@amdry.com

Retain This Manual In A Safe Place For Future Reference

American Dryer Corporation products embody advanced concepts in engineering, design, and safety. If this product is properly maintained, it will provide many years of safe, efficient, and trouble-free operation.

ONLY qualified technicians should service this equipment.

OBSERVE ALL SAFETY PRECAUTIONS displayed on the equipment or specified in the installation manual included with the dryer.

The following “**FOR YOUR SAFETY**” caution **must be** posted near the dryer in a prominent location.

FOR YOUR SAFETY

Do not store or use gasoline or other flammable vapors or liquids in the vicinity of this or any other appliance.

POUR VOTRE SÉCURITÉ

Ne pas entreposer ni utiliser d'essence ni d'autres vapeurs ou liquides inflammables dans le voisinage de cet appareil ou de tout autre appareil.

We have tried to make this manual as complete as possible and hope you will find it useful. **ADC** reserves the right to make changes from time to time, without notice or obligation, in prices, specifications, colors, and material, and to change or discontinue models.

Important

For your convenience, log the following information:

DATE OF PURCHASE _____ **MODEL NO.** **AD-310 Non-Tilting**

RESELLER'S NAME _____

Serial Number(s) _____

Replacement parts can be obtained from your reseller or the **ADC** factory. When ordering replacement parts from the factory, you can FAX your order to **ADC** at (508) 678-9447 or telephone your order directly to the **ADC** Parts Department at (508) 678-9000. Please specify the dryer **model number** and **serial number** in addition to the **description** and **part number**, so that your order is processed accurately and promptly.

“IMPORTANT NOTE TO PURCHASER”

Information **must be** obtained from your local gas supplier on the instructions to be followed if the user smells gas. These instructions **must be** posted in a prominent location near the dryer.

IMPORTANT

YOU MUST DISCONNECT AND LOCKOUT THE ELECTRIC SUPPLY AND THE GAS SUPPLY OR THE STEAM SUPPLY BEFORE ANY COVERS OR GUARDS ARE REMOVED FROM THE MACHINE TO ALLOW ACCESS FOR CLEANING, ADJUSTING, INSTALLATION, OR TESTING OF ANY EQUIPMENT PER OSHA (Occupational Safety and Health Administration) STANDARDS.

“Caution: Label all wires prior to disconnection when servicing controls. Wiring errors can cause improper operation.”

«Attention: Lors des opérations d'entretien des commandes étiqueter tous fils avant de les déconnecter. Toute erreur de câblage peut être une source de danger et de panne.»

CAUTION

DRYERS SHOULD NEVER BE LEFT UNATTENDED WHILE IN OPERATION.

WARNING

**CHILDREN SHOULD NOT BE ALLOWED TO PLAY ON OR NEAR THE DRYER(S).
CHILDREN SHOULD BE SUPERVISED IF NEAR DRYERS IN OPERATION.**

FOR YOUR SAFETY

DO NOT DRY MOP HEADS IN THE DRYER.

DO NOT USE DRYER IN THE PRESENCE OF DRY CLEANING FUMES.

WARNING

UNDER NO CIRCUMSTANCES should the door switch or the heat circuit devices ever be disabled.

WARNING

The dryer *must never be* operated with any of the back guards, outer tops, or service panels removed. PERSONAL INJURY OR FIRE COULD RESULT.

WARNING

DRYER *MUST NEVER BE* OPERATED WITHOUT THE LINT FILTER/SCREEN IN PLACE, EVEN IF AN EXTERNAL LINT COLLECTION SYSTEM IS USED.

IMPORTANT

PLEASE OBSERVE ALL SAFETY PRECAUTIONS displayed on the equipment and/or specified in the installation manual included with the dryer.

Dryers *must not be* installed or stored in an area where it will be exposed to water or weather.

The wiring diagram for the dryer is located in the front electrical control box area.

Table of Contents

SECTION I

IMPORTANT INFORMATION	3
A. Receiving and Handling	3
B. Safety Precautions	4

SECTION II

SPECIFICATIONS/DIMENSIONS AND COMPONENT IDENTIFICATION	6
A. Specifications (Gas and Steam)	6
B. Dimensions and Component Location	7

SECTION III

INSTALLATION PROCEDURES	9
A. Reassembly Of Dryer	9
B. Location Requirements	14
C. Fresh Air Supply Requirements	15
D. Exhaust Requirements	16
E. Compressed Air Supply System	22
F. Electrical Information	25
G. Gas Information	29
H. Water Supply Connection For Optional Sprinkler System	32
I. Steam Information	33
J. Preoperational Tests	38
K. Preparation For Operation/Start-Up	40
L. Shut Down Instructions	41

SECTION IV

SERVICE/PARTS INFORMATION	42
A. Service	42
B. Parts	42

SECTION V

WARRANTY INFORMATION	43
A. Returning Warranty Card(s)	43
B. Warranty	43
C. Returning Warranty Part(s)	43

SECTION VI	
ROUTINE MAINTENANCE	45
A. Cleaning	45
B. Adjustments	47
C. Lubrication	47
SECTION VII	
COMPONENT SYSTEM DESCRIPTIONS	48
A. Basket (Tumbler) Drive System	48
B. Basket (Tumbler)	49
C. Air Blower Drive System	49
D. Safety Devices	49
E. Steam Damper Actuator System	51
SECTION VIII	
BURNER AND BASKET (TUMBLER)/LINT CHAMBER MANUAL RESET	
HI-LIMIT INSTRUCTIONS	52
Gas Models Only	52
Steam Models Only	53
SECTION IX	
DATA LABEL INFORMATION	54
A. Data Label	54
SECTION X	
PROCEDURE FOR FUNCTIONAL CHECK OF REPLACEMENT	
COMPONENTS	56
SECTION XI	
PHASE 7 OPL SYSTEM DIAGNOSTICS	58
A. Diagnostic (L.E.D. Display) Fault Messages	58
B. I/O Board Input and Output L.E.D. Indicators	60
SECTION XII	
TROUBLESHOOTING	65
SECTION XIII	
OPTIONAL SPRINKLER SYSTEM COMPONENTS	73
Optional Sprinkler Circuit Components	73
Sprinkler Option Temperature Controller Settings	75

SECTION I

IMPORTANT INFORMATION

A. RECEIVING AND HANDLING

The dryer is shipped in a protective stretch wrap cover with protective cardboard corners and top cover (or optional box) as a means of preventing damage in transit. Upon delivery, the dryer and/or packaging, and wooden skid **should be** visually inspected for shipping damage. If any damage whatsoever is noticed, inspect further before delivering carrier leaves.

Dryers damaged in shipment:

1. **ALL** dryers **should be** inspected upon receipt and before they are signed for.
2. If there is suspected damage or actual damage, the trucker's receipt **should be** so noted.
3. If the dryer is damaged beyond repair, it **should be** refused. Those dryers, which were not damaged in a damaged shipment **should be** accepted, but the number received and the number refused **must be** noted on the receipt.
4. If you determine that the dryer was damaged after the trucker has left your location, you should call the delivering carrier's freight terminal immediately and file a claim. The freight company considers this concealed damage. This type of freight claim is very difficult to get paid and becomes extremely difficult when more than a day or two passes after the freight was delivered. It is your responsibility to file freight claims. Dryer/parts damaged in transit **cannot** be claimed under warranty.
5. Freight claims are the responsibility of the consignee, and **ALL** claims **must be** filed at the receiving end. **ADC** assumes no responsibility for freight claims or damages.
6. If you need assistance in handling the situation, please contact the **ADC** Traffic Manager at (508) 678-9000.

IMPORTANT: The basket (tumbler) section of the dryer **must be** transported and handled in an upright position at **ALL** times.

B. SAFETY PRECAUTIONS

WARNING: For your safety, the information in this manual *must be* followed to minimize the risk of fire or explosion or to prevent property damage, personal injury, or loss of life.

WARNING: The dryer *must never be* operated with any of the back guards, outer tops, or service panels removed. **PERSONAL INJURY OR FIRE COULD RESULT.**

1. **DO NOT** store or use gasoline or other flammable vapors and liquids in the vicinity of this or any other appliance.
2. Purchaser/user should consult the local gas supplier for proper instructions to be followed in the event the user smells gas. The instructions **should be** posted in a prominent location.
3. WHAT TO DO IF YOU SMELL GAS...
 - a. **DO NOT** try to light any appliance.
 - b. **DO NOT** touch any electrical switch.
 - c. **DO NOT** use any phone in your building.
 - d. Clear the room, building, or area of **ALL** occupants.
 - e. Immediately call your gas supplier from a neighbor's phone. Follow the gas supplier's instructions.
 - f. If you **cannot** reach your gas supplier, call the fire department.
4. Installation and service **must be** performed by a qualified installer, service agency, or gas supplier.
5. Dryer(s) **must be** exhausted to the outdoors.
6. Although **ADC** produces a very versatile dryer, there are some articles that, due to fabric composition or cleaning method, **should not be** dried in it.

WARNING: Dry only water washed fabrics. **DO NOT** dry articles spotted or washed in dry cleaning solvents, a combustible detergent, or "all purpose" cleaner.
EXPLOSION COULD RESULT.

WARNING: **DO NOT** dry rags or articles coated or contaminated with gasoline, kerosene, oil, paint, or wax.
EXPLOSION COULD RESULT.

WARNING: **DO NOT** dry mop heads. Contamination by wax or flammable solvents will create a fire hazard.

WARNING: **DO NOT** use heat for drying articles that contain plastic, foam, sponge rubber, or similarly textured rubber materials. Drying in a heated basket (tumbler) may damage plastics or rubber and also may be a fire hazard.

7. A program **should be** established for the inspection and cleaning of lint in the heating unit area, exhaust ductwork, and inside the dryer. The frequency of inspection and cleaning can best be determined from experience at each location.

WARNING: The collection of lint in the burner area and exhaust ductwork can create a potential fire hazard.

8. For personal safety, the dryer **must be** electrically grounded in accordance to local codes and/or the National Electrical Code ANSI/NFPA NO. 70-LATEST EDITION, or in Canada, the Canadian Electrical Codes Parts 1 & 2 CSA C22.1-1990 or LATEST EDITION.

NOTE: Failure to do so will VOID THE WARRANTY.

9. UNDER NO CIRCUMSTANCES should the dryer door switches, lint door switch, heat safety circuit ever be disabled.

WARNING: PERSONAL INJURY OR FIRE COULD RESULT.

10. This dryer is not to be used in the presence of dry cleaning solvents or fumes.
11. Remove articles from the dryer as soon as the drying cycle has been completed.

WARNING: Articles left in the dryer after the drying and cooling cycles have been completed can create a fire hazard.

12. **DO NOT** operate steam dryers with more than 125 PSI (8.62 bars) steam pressure. Excessive steam pressure can damage steam coil and/or harm personnel.
13. Replace leaking flexible hoses or other steam fixtures immediately. **DO NOT** operate the dryer with leaking flexible hoses. **PERSONAL INJURY MAY RESULT.**
14. **READ AND FOLLOW ALL CAUTION AND DIRECTION LABELS ATTACHED TO THE DRYER.**
15. For safety, proper operation, and optimum performance, the dryer must not be operated with a load less than sixty-six percent (66%), 204 lbs. (92.53 kg.) of its rated capacity.

WARNING: YOU MUST DISCONNECT AND LOCKOUT THE ELECTRIC SUPPLY AND THE GAS SUPPLY OR THE STEAM SUPPLY BEFORE ANY COVERS OR GUARDS ARE REMOVED FROM THE MACHINE TO ALLOW ACCESS FOR CLEANING, ADJUSTING, INSTALLATION, OR TESTING OF ANY EQUIPMENT PER OSHA (Occupational Safety and Health Administration) STANDARDS.

SECTION II

SPECIFICATIONS/DIMENSIONS AND COMPONENT IDENTIFICATION

A. SPECIFICATIONS (GAS AND STEAM)

MAXIMUM CAPACITY (DRY WEIGHT)		310 lbs	141 kg	
BASKET (TUMBLER) DIAMETER		62-1/2"	158.75 cm	
BASKET (TUMBLER) DEPTH		60"	152.4 cm	
BASKET (TUMBLER) VOLUME		106.5 cu. ft.	3.02 cu. m.	
DRIVE MOTOR		5 HP	3.73 kw	
DOOR OPENING (DIAMETER)		36-3/4" w x 43" h	93.3 cm x 109.2 cm	
DOOR STILL HEIGHT - LEVEL		36-1/2"	92.71 cm	
COMPRESSED AIR		80 PSI	5.51 bars	
COMPRESSED AIR CONNECTION		3/8" F.P.T.		
Gas*	VOLTAGE AVAILABLE		208-600v 3ø 3, 4w 50/60 Hz	
	BLOWER MOTOR		15 HP 11.25 kw	
	HEAT INPUT		1,125,000 btu/hr 283,500 kcal/hr	
	APPROX. WEIGHT (UNCRATED)		5,100 lbs 2,314 kg	
	AIRFLOW		6,500 cfm 184.1 cmm	
	INLET PIPE SIZE		1-1/2"	
Steam*	VOLTAGE AVAILABLE		208-600v 3ø 3, 4w 50/60 Hz	
	BLOWER MOTOR		25 HP 18.64 kw	
	APPROX. WEIGHT (UNCRATED)		5,600 lbs 2,540 kg	
	AIRFLOW		8,500 cfm 240.7 cmm	
	STEAM CONSUMPTION		BOILER HP NORMAL LOAD	
	1,153 lbs/hr	524 kg/hr	55	
	OPERATING STEAM PRESSURE		STEAM SUPPLY	STEAM RETURN
	125 PSI max	8.62 bars	2"	2"

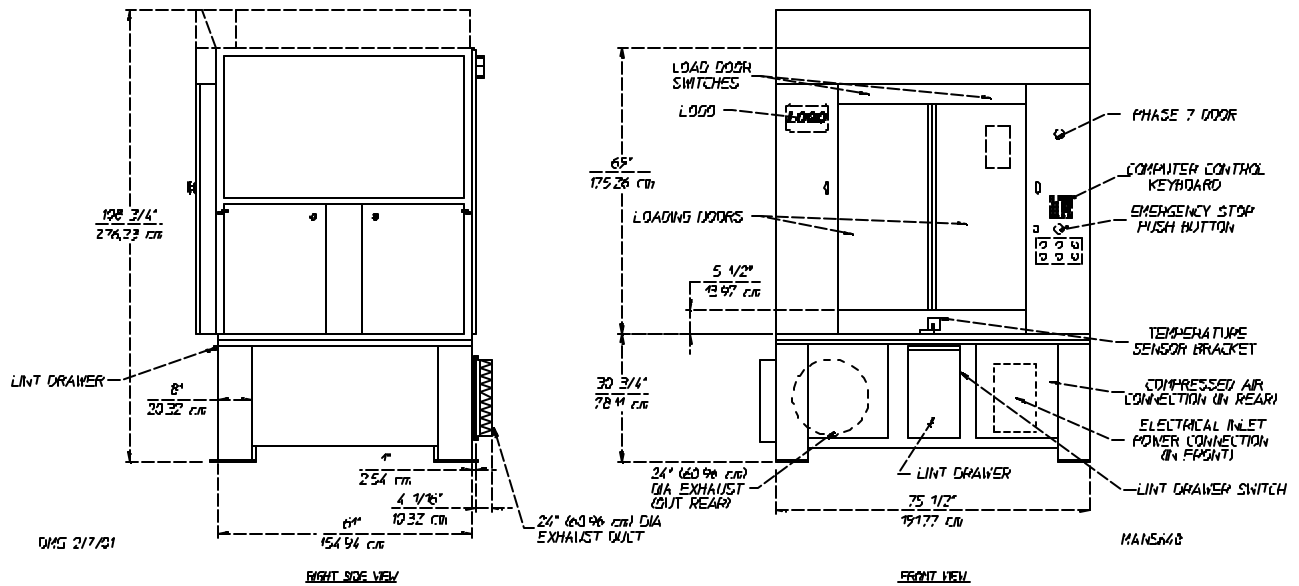
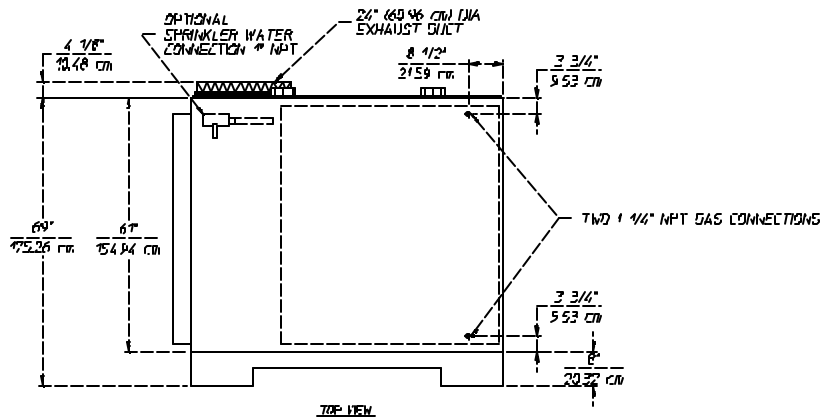
Shaded areas are stated in metric equivalents

* Dryers **must be** provided with a clean, dry, and regulated 80 PSI +/- 10 PSI (5.51 bars +/- 0.68 bars) air supply (equivalent volume = 9 cfh [0.25 cmh]).

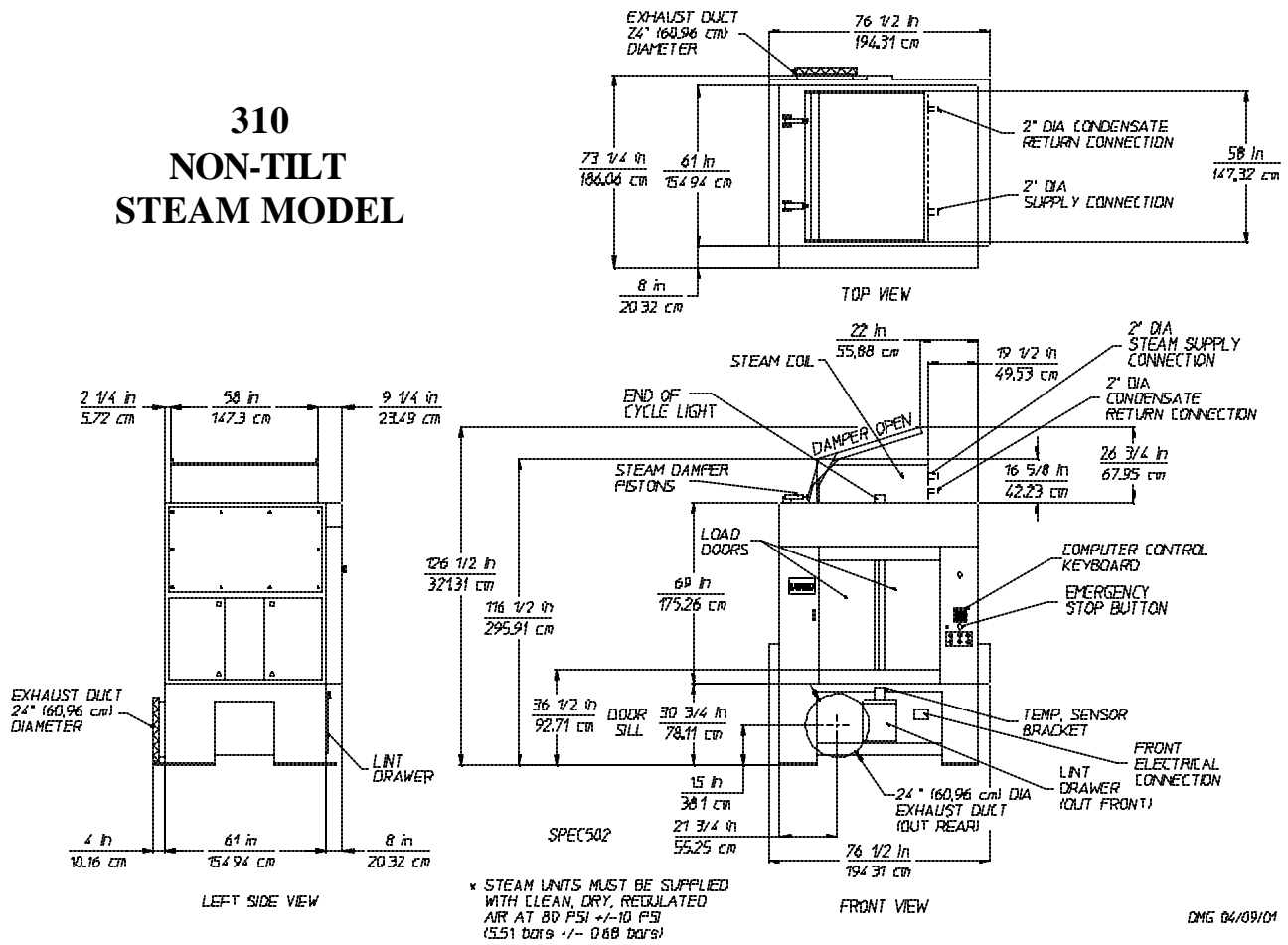
NOTE: ADC reserves the right to make changes in specifications at any time without notice or obligation.

B. DIMENSIONS AND COMPONENT LOCATION

310 NON-TILT GAS MODEL



310 NON-TILT STEAM MODEL



SECTION III

INSTALLATION PROCEDURES

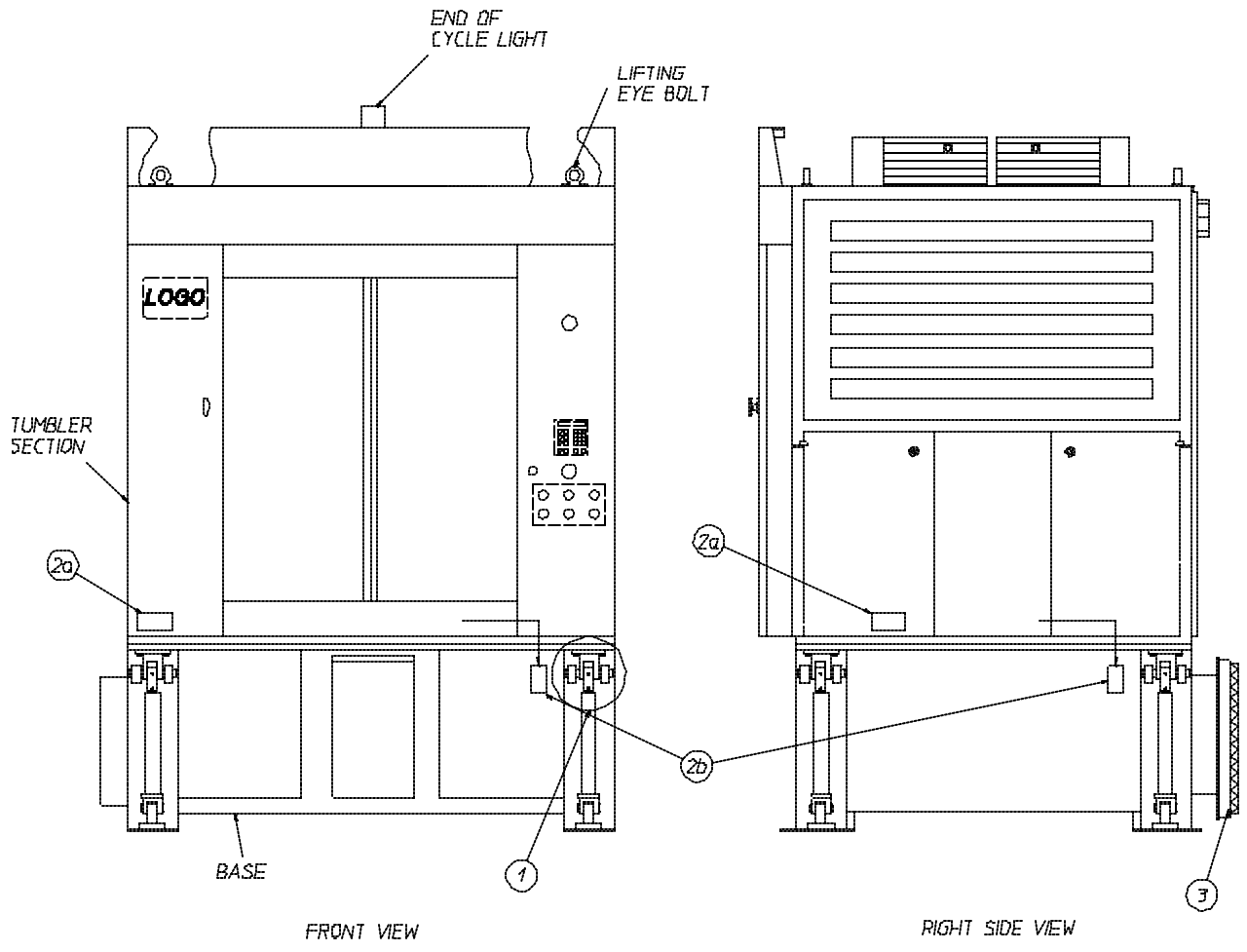
Installation **should be** performed by competent technicians in accordance with local and state codes. In the absence of these codes, the installation **must conform** to applicable American National Standards: ANSI Z223.1-LATEST EDITION (National Fuel Gas Code) or ANSI/NFPA NO. 70-LATEST EDITION (National Electrical Code) or in Canada, the installation **must conform** to applicable Canadian Standards: CAN/CGA-B149.1-M91 (Natural Gas) or CAN/CGA-B149.2-M91 (Liquid Propane [L.P.] Gas) or LATEST EDITION (for General Installation and Gas Plumbing) or Canadian Electrical Codes Parts 1 and 2 CSA C22.1-1990 or LATEST EDITION (for Electrical Connections).

A. REASSEMBLY OF DRYER

<p>IMPORTANT: Always keep the basket (tumbler) section of the dryer in an upright position when moving it.</p>

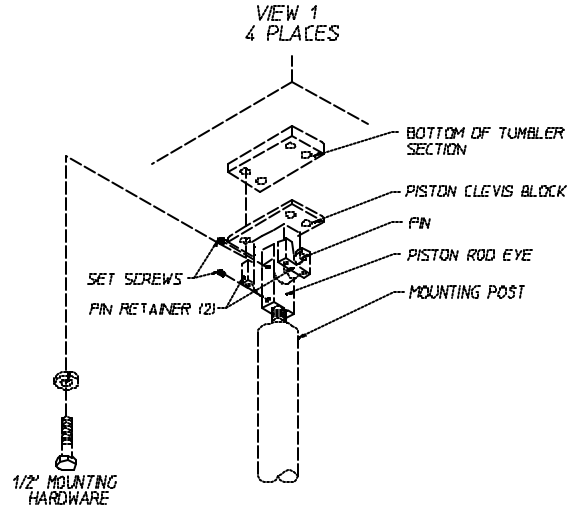
The dryer may be shipped one (1) of two (2) ways; as a complete unit fully assembled and ready for hookup or with the basket (tumbler) section separated from the base. If the dryer is shipped in two (2) pieces, the basket (tumbler) section will have to be lifted onto the base. Use cables through the eyebolts on top of the basket (tumbler) section, or use a forklift for the lifting process.

1. Reassembly Instructions For Gas Dryer Shipped In Two (2) Pieces



FRONT VIEW

RIGHT SIDE VIEW



MAN5601

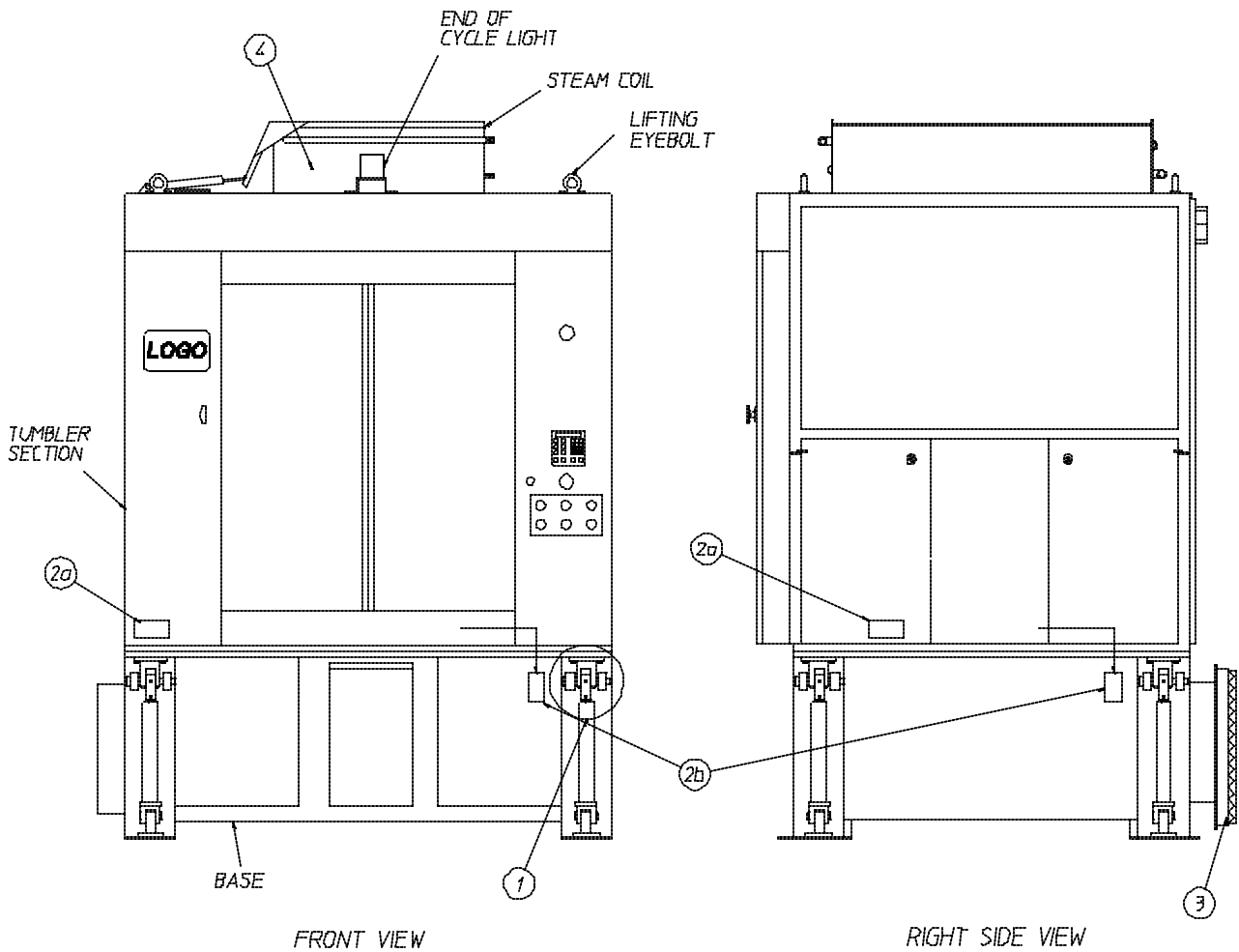
DMG 01/24/01

a. Reassembly Instructions For Non-Tilt Gas Dryers:

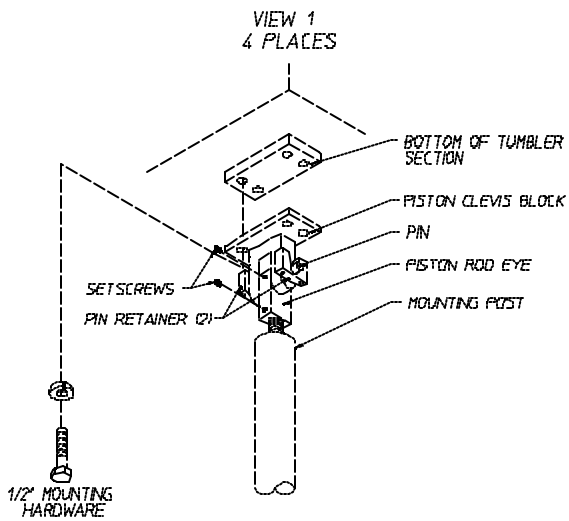
Lift the basket (tumbler) section onto the base.

- 1) The dryer has four (4) support posts assemblies which are located in each corner of the base. On top of each post assembly is a clevis block which **must be** bolted to the basket (tumbler) section. Use the 4-1/2" diameter x 1-1/8" long bolts and lock washers to bolt each clevis block to the basket (tumbler) section. (Refer to **View 1** on the previous page.)
- 2) Basket (tumbler) power cable reconnection:
 - a) A plug and cable is located in the right of the base. This **must be** lifted up and reconnected into the mating socket located at the bottom of the right basket (tumbler) section.
 - b) Pull the basket (tumbler) section power cable up from the left side of the base through the hole in the bottom of the basket (tumbler) section. Reconnect the wires of this cable into the 2-inch x 4-inch (5.08 cm x 10.16 cm) basket (tumbler) junction box located at the bottom of the basket (tumbler) section. (Refer to the **illustration** on the previous page.)
 - c) Drop the control cable connector from the rear right side of the basket (tumbler) section into the base. Reconnect the industrial grade plug in to its mating socket.
- 3) Bolt the 24-inch (60.96 cm) diameter exhaust duct transition piece to the dryers rectangular exhaust duct. The exhaust duct exits the dryer from the rear of the base. (Refer to the **illustration** on the previous page.) Use the 1/4-20 self drilling screws supplied with the dryer.

2. Reassembly Instructions For Steam Dryer Shipped In Two (2) Pieces



MAN5738



DMG 04/09/01

a. Reassembly Instructions For Non-Tilt Steam Dryers:

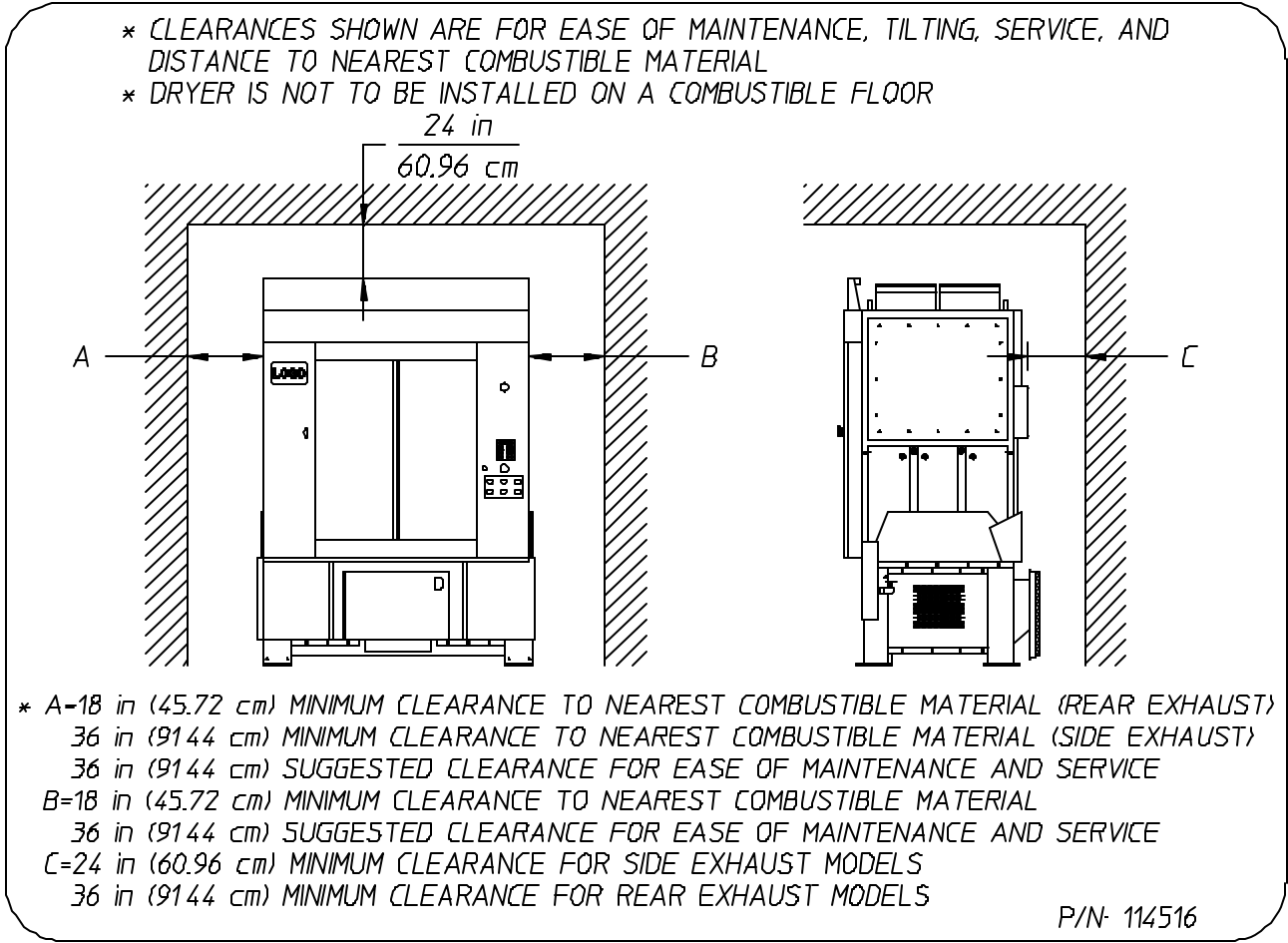
Lift the basket (tumbler) section onto the base.

- 1) The dryer has four (4) support posts assemblies which are located in each corner of the base. On top of each post assembly is a clevis block which **must be** bolted to the basket (tumbler) section. Use the 4-1/2" diameter x 1-1/8" long bolts and lock washers to bolt each clevis block to the basket (tumbler) section. (Refer to **View 1** on the previous page.)
- 2) Basket (tumbler) power cable reconnection:
 - a) A plug and cable is located in the right of the base. This **must be** lifted up and reconnected into the mating socket located at the bottom of the right basket (tumbler) section.
 - b) Pull the basket (tumbler) section power cable up from the left side of the base through the hole in the bottom of the basket (tumbler) section. Reconnect the wires of this cable into the 2-inch x 4-inch (5.08 cm x 10.16 cm) basket (tumbler) junction box located at the bottom of the basket (tumbler) section. (Refer to the **illustration** on the previous page.)
 - c) Drop the control cable connector from the rear right side of the basket (tumbler) section into the base. Reconnect the industrial grade plug in to its mating socket.
- 3) Bolt the 24-inch (60.96 cm) diameter exhaust duct transition piece to the dryers rectangular exhaust duct. The exhaust duct exits the dryer from the rear of the base. (Refer to the **illustration** on the previous page.) Use the 1/4-20 self drilling screws supplied with the dryer.
- 4) If a steam dryer is shipped in two (2) pieces, the steam coil may have been removed from the top of the basket (tumbler) section and shipped with the base. If this is the case, lift the steam coil on to the top of the basket (tumbler) section with the steam pipe connections facing towards the right side of the dryer and bolt the coil to the top of the dryer with a 1/4-inch hardware supplied. There are three (3) panels that cover the front, right side, and rear of the steam coil. Fasten these in position also.

B. LOCATION REQUIREMENTS

The non-tilting model dryer requires 18-inches (45.72 cm) of space on each side of the dryer and 24-inches (60.96 cm) of space behind the unit for ease of service. A minimum of 12-inches (30.48 cm) **must be** allowed between the top of a gas dryer and the ceiling. A ceiling height of 120-inches (304.8 cm) is required for gas dryers, and a ceiling height for 130-inches (330.2 cm) is required for steam dryers. The dryer **must be** leveled for proper operation. If shimming is required, put metal shims which are the same size as the base feet under the base feet. The dryer **must be** lagged to the floor.

WARNING: Dryer *should be* located where a minimum length of exhaust duct **will be** necessary.



DMG 01/29/01

MAN5622

C. FRESH AIR SUPPLY REQUIREMENTS

When the dryer is operating, it draws in room air, heats it, passes this air through the basket (tumbler), and exhausts it out of the building. Therefore, the room air **must be** continually replenished from the outdoors. If the make-up air is inadequate, drying time and drying efficiency will be adversely affected. Ignition problems and sail switch “fluttering” problems may result, as well as premature motor failure from overheating.

Air supply (make-up air) **must be** given careful consideration to assure proper performance of each dryer. An unrestricted source of air is necessary for each dryer. An airflow of 6,500 cfm (cubic feet per minute) 182.2 cmm (cubic meters per minute) **must be** supplied to each gas dryer and 8,500 cfm (240.7 cmm) for each steam dryer. As a general rule, an unrestricted air entrance from the outdoors (atmosphere) of a minimum of 6 square feet (0.56 square meters) is required for each gas dryer and a minimum of 8 square feet (0.74 square meters) for each steam dryer.

To compensate for the use of registers or louvers used over the openings, this make-up air area **must be** increased by approximately thirty-three percent (33%). Make-up air openings **should not be** located in an area directly near where exhaust vents exit the building.

It is not necessary to have a separate make-up air opening for each dryer. Common make-up air openings are acceptable. However, they **must be** set up in such a manner that the make-up air is distributed equally to **ALL** the dryers.

Allowances **must be** made for remote or constricting passageways or where dryers are located at excessive altitudes or predominantly low pressure areas.

IMPORTANT: Make-up air *must be* provided from a source free of dry cleaning solvent fumes. Make-up air that is contaminated by dry cleaning solvent fumes will result in irreparable damage to the motors and other dryer components.

NOTE: Component failure due to dry cleaning solvent fumes will VOID THE WARRANTY.

D. EXHAUST REQUIREMENTS

NOTE: For 1 door dryers, the 24-inch (60.96 cm) diameter exhaust duct exits from the rear of the base. For 2 door dryers, the 24-inch (60.96 cm) diameter exhaust duct exits from the left side of the base.

1. General Exhaust Ductwork Information

Exhaust ductwork **should be** designed and installed by a qualified professional. Improperly sized ductwork will create excessive back pressure which results in slow drying, increased use of energy, overheating of the dryer, and shutdown of the burner by the airflow (sail) switches, burner hi-limits, or basket (tumbler) hi-limit thermostats.

CAUTION: DRYER *MUST BE* EXHAUSTED TO THE OUTDOORS.

CAUTION: IMPROPERLY SIZED OR INSTALLED EXHAUST DUCTWORK CAN CREATE A POTENTIAL FIRE HAZARD.

NOTE: THE DRYER *MUST BE* INDEPENDENTLY EXHAUSTED. COMMON DUCTWORK IS NOT ACCEPTABLE.

The exhaust ductwork **should be** laid out in such a way that the ductwork travels as directly as possible to the outdoors with as few turns as possible. Single or independent dryer venting is recommended.

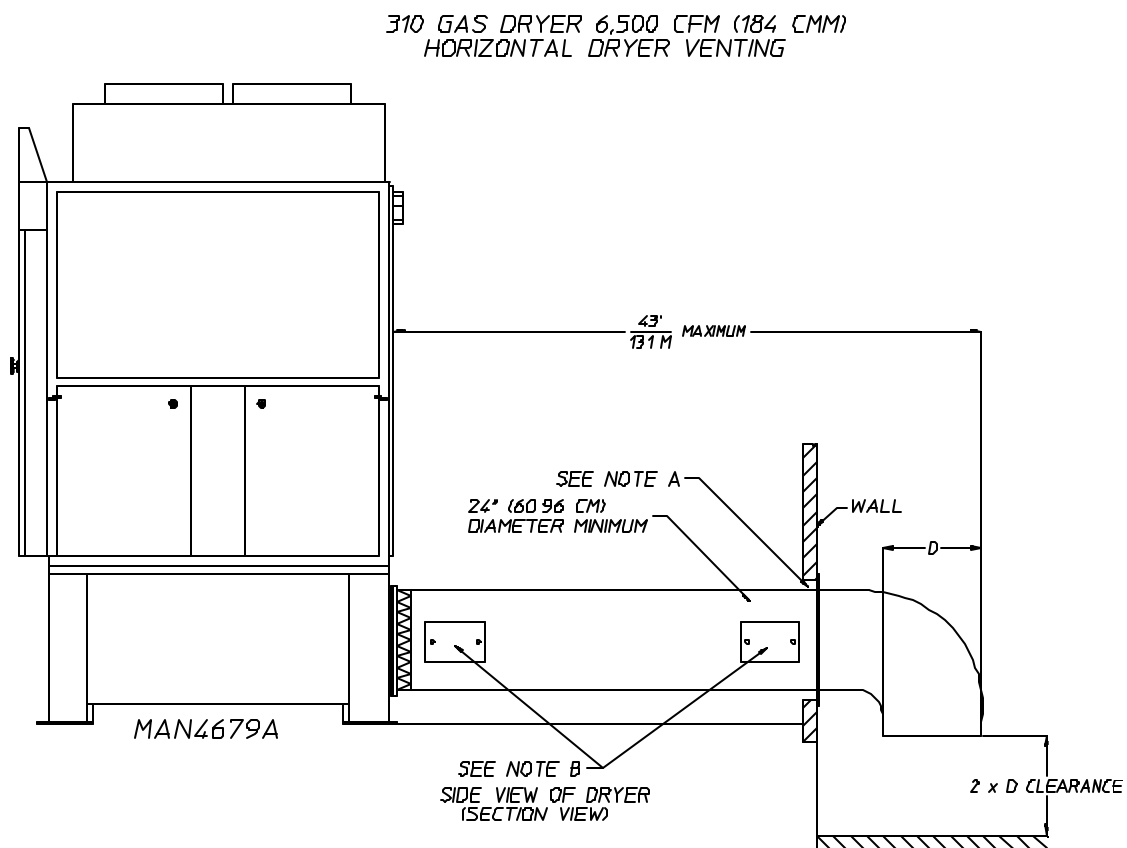
The shape of the ductwork is not critical so long as the minimum cross section area is provided. It is suggested that the use of 90° turns in ducting be avoided; use 30° and/or 45° angles instead. The radius of the elbow **should preferably be** 1-1/2 times the diameter of the duct.

ALL ductwork **should be** smooth inside with no projections from sheet metal screws or other obstructions, which will collect lint. When adding ducts, the ducts to be added should overlap the duct to which it is connected. **ALL** ductwork joints **must be** taped to prevent moisture and lint from escaping into the building. Additionally, inspection doors **should be** installed at strategic points in the exhaust ductwork for periodic inspection and cleaning of lint from the ductwork.

The internal dimensions of the dryer's rectangular exhaust vent ductwork is 8-1/2" x 21-inches (20.6 cm x 53.5 cm). A transition piece to 24-inches (60.96 cm) in diameter round is supplied. The location's exhaust duct **must be** the minimum exhaust size requirement of (24-inch [60.96 cm] round duct or 452 square inch [2,916 square centimeters] square duct) the ductwork from the dryer to the outside exhaust outlet for a horizontal run with no more than one (1) elbow **must not exceed** 43 feet (13.1 meters) for gas and 20 feet (6.09 meters) for steam dryers. (Refer to the **illustration below** and on **page 18**.) For locations with more than one (1) elbow, the minimum exhaust size for a gas model dryer is 28-inch (71.12 cm) round duct (615 square inch [3,967 square centimeters] duct). For steam model a 32-inch (81.28 cm) round duct (840 square inch [5,419 square centimeters] duct) **must be** used. The horizontal or vertical duct total run on both gas and steam models **must not exceed** 50 feet (15.24 meters) which includes the use of no more than three (3) elbows (refer to the **illustrations** on **page 19** and **page 20**). Should more than the maximum number of elbows be used or if the run exceeds the maximum limits noted, a professional heating, venting, and air conditioning (HVAC) firm **should be** consulted for proper venting information.

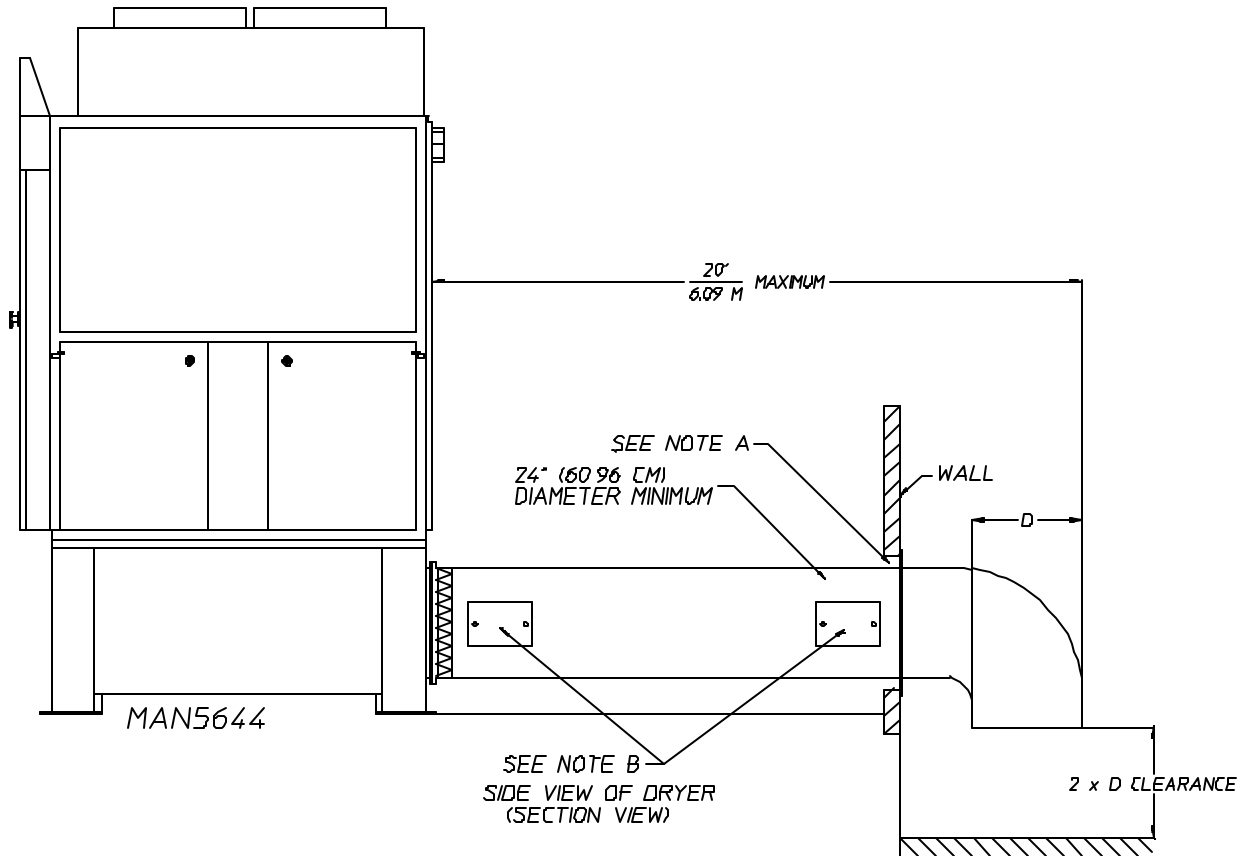
IMPORTANT: For extended ductwork runs or where more than the specified number of elbows are used, a professional HVAC firm **should be** contacted for proper venting information.

NOTE: For extended ductwork runs the cross-sectional area of a duct can only be increased to an extent. In some cases the addition of a booster fan in the ductwork may be necessary.



DMG 02/09/01

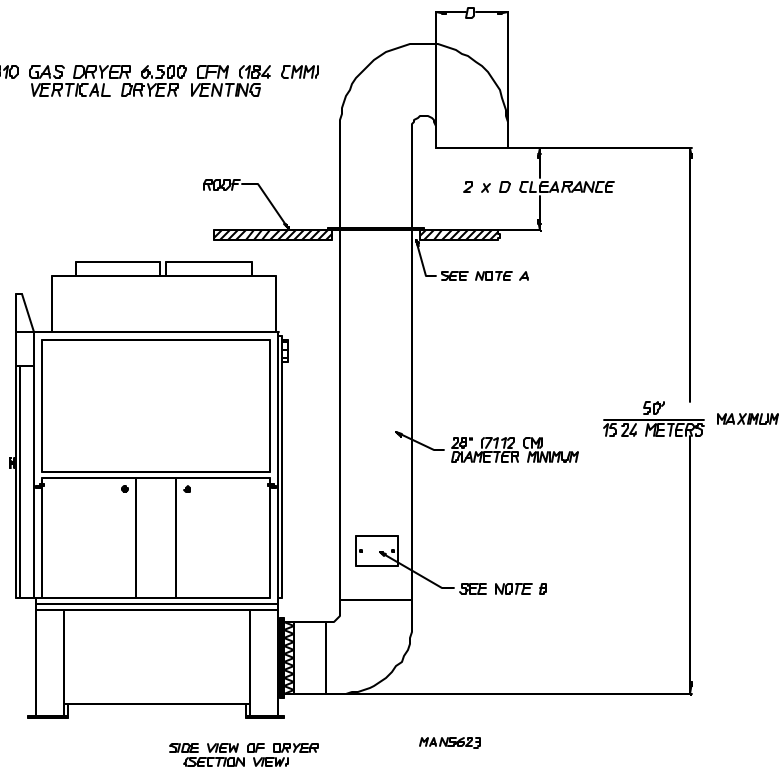
310 STEAM DRYER 8,500 CFM (240 CM)
HORIZONTAL DRYER VENTING



- NOTE "A"- OPENING MUST BE 2-INCHES (5.08 CM) LARGER THAN THE DUCT (ALL THE WAY AROUND) THE DUCT MUST BE CENTERED WITHIN THIS OPENING
- "B"- INSPECTION DOORS SHOULD BE INSTALLED AT STRATEGIC POINTS FOR PERIODIC INSPECTION AND CLEANING

DMG 02/09/01

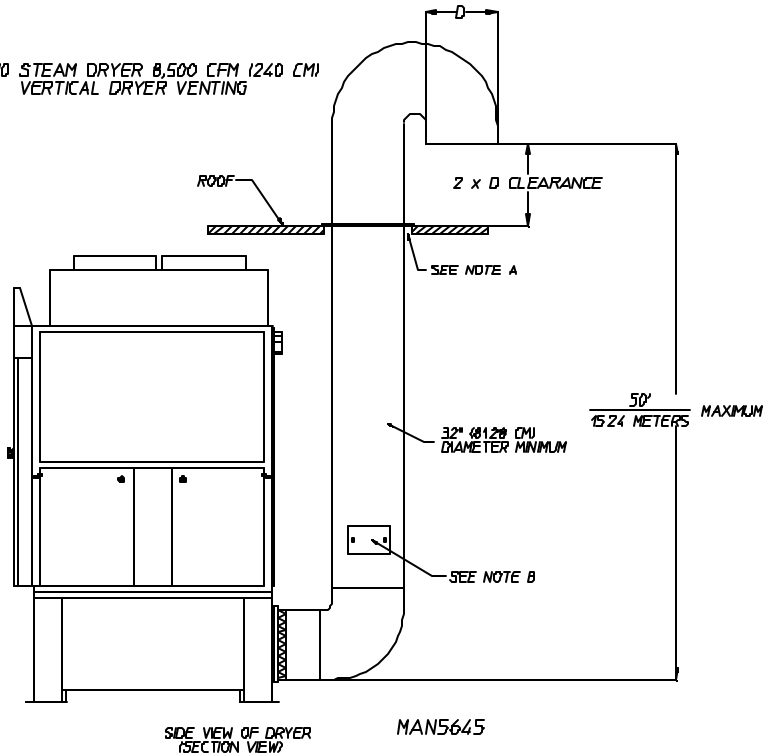
310 GAS DRYER 6,500 CFM (184 CMH)
VERTICAL DRYER VENTING



NOTE "A"- OPENING MUST BE 2-INCHES (5.08 CM) LARGER THAN THE DUCT (ALL THE WAY AROUND) THE DUCT MUST BE CENTERED WITHIN THIS OPENING
 "B"- INSPECTION DOORS SHOULD BE INSTALLED AT STRATEGIC POINTS FOR PERIODIC INSPECTION AND CLEANING.

DNB 02/09/01

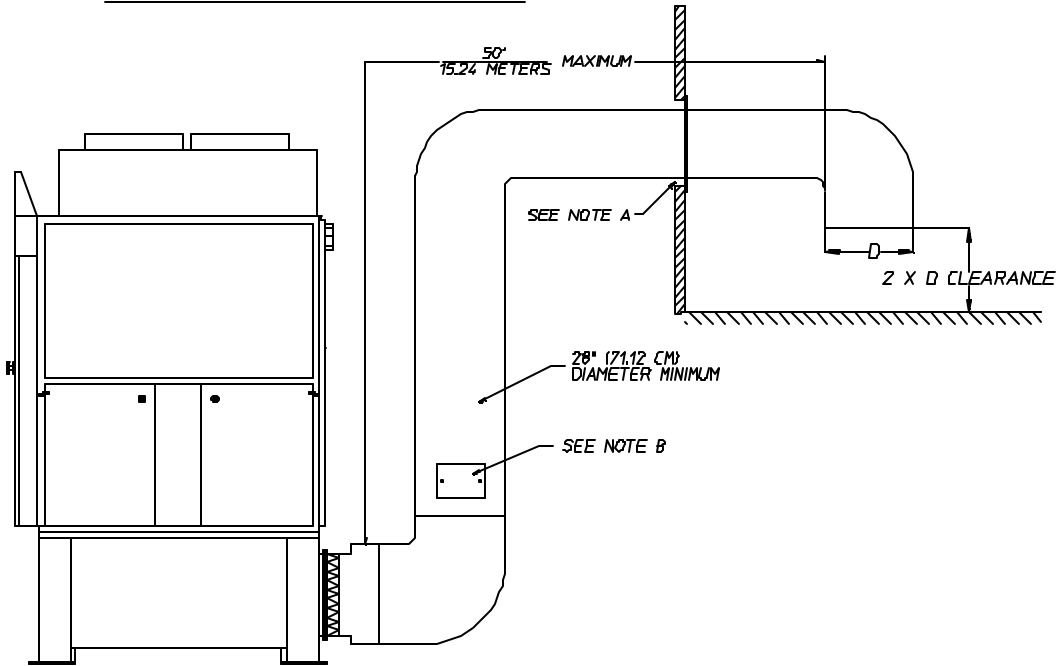
310 STEAM DRYER 8,500 CFM (240 CMH)
VERTICAL DRYER VENTING



NOTE "A"- OPENING MUST BE 2-INCHES (5.08 CM) LARGER THAN THE DUCT (ALL THE WAY AROUND) THE DUCT MUST BE CENTERED WITHIN THIS OPENING
 "B"- INSPECTION DOORS SHOULD BE INSTALLED AT STRATEGIC POINTS FOR PERIODIC INSPECTION AND CLEANING

DNB 02/09/01

310 GAS DRYER 6,500 CFM (184 CMM)
VERTICAL/HORIZONTAL DRYER VENTING



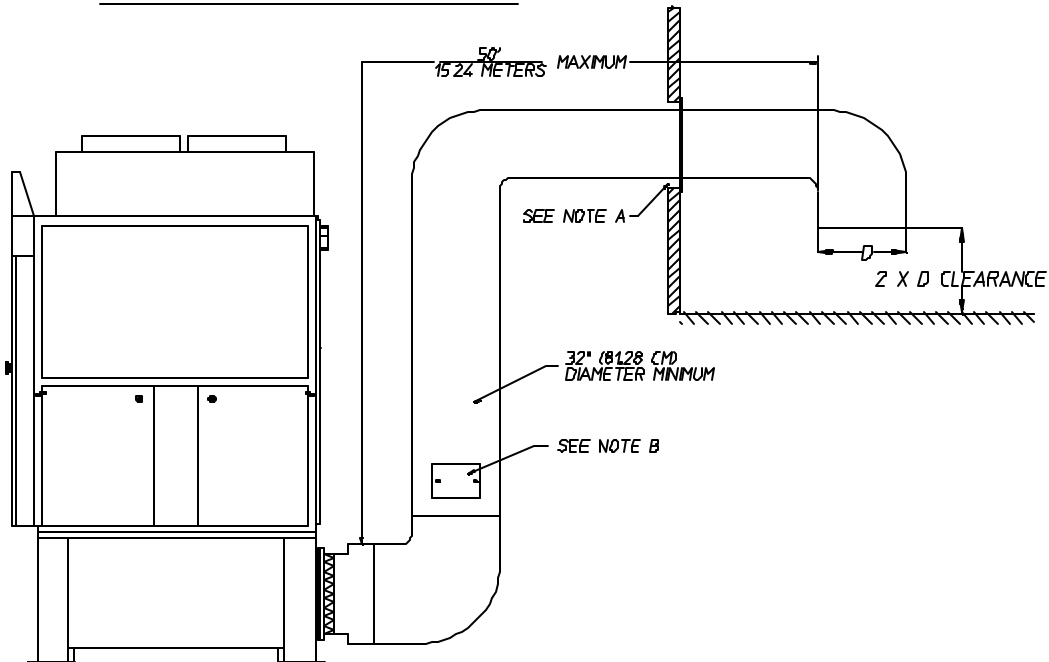
SIDE VIEW OF DRYER
 (SECTION VIEW)

MAN5696

- NOTE: "A"- OPENING MUST BE 2-INCHES (5.08 CM) LARGER THAN THE DUCT (ALL THE WAY AROUND). THE DUCT MUST BE CENTERED WITHIN THIS OPENING.
 "B"- INSPECTION DOORS SHOULD BE INSTALLED AT STRATEGIC POINTS FOR PERIODIC INSPECTION AND CLEANING.

DMG 02/23/01

310 STEAM DRYER 8,500 CFM (240 CMM)
VERTICAL/HORIZONTAL DRYER VENTING



SIDE VIEW OF DRYER
 (SECTION VIEW)

MAN5697

- NOTE: "A"- OPENING MUST BE 2-INCHES (5.08 CM) LARGER THAN THE DUCT (ALL THE WAY AROUND). THE DUCT MUST BE CENTERED WITHIN THIS OPENING.
 "B"- INSPECTION DOORS SHOULD BE INSTALLED AT STRATEGIC POINTS FOR PERIODIC INSPECTION AND CLEANING.

DMG 02/23/01

a. Outside Ductwork Protection

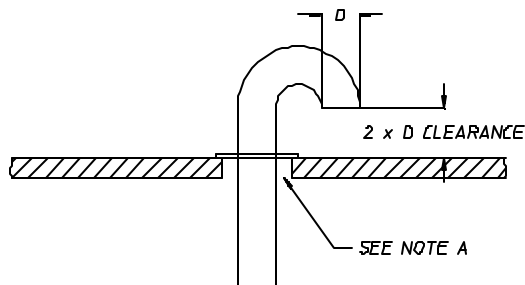
- 1) To protect the outside end of horizontal ductwork from the weather, a 90° elbow bent downward **should be** installed where the exhaust exits the building. If the exhaust ductwork travels vertically up through the roof, it **should be** protected from the weather by using a 180° turn to point the opening downward. In either case, allow at least twice the diameter of the duct between the duct opening and nearest obstruction.

IMPORTANT: DO NOT use screens, louvers, or caps on the outside opening of the exhaust ductwork.

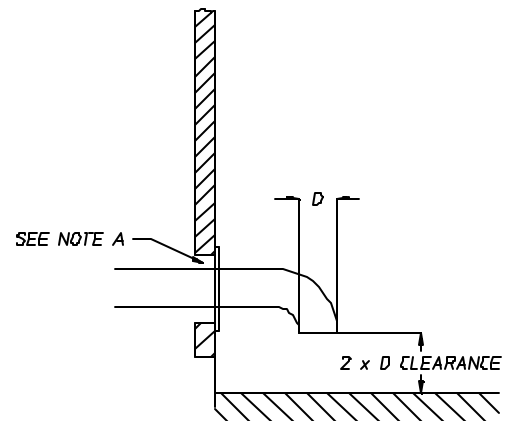
NOTE: Exhaust back pressure measured by a manometer at the dryer exhaust duct area **must not exceed** 0.3 inches (0.74 mb) of water column (W.C.).

NOTE: When the exhaust ductwork passes through a wall, ceiling, or roof made of combustible materials, the opening **must be** 2-inches (5.08 cm) larger than the duct (all the way around). The duct **must be** centered within this opening.

VERTICAL DUCTING



HORIZONTAL DUCTING



NOTE "A": OPENING MUST BE TWO (2) INCHES (5.08 CM) LARGER THAN DUCT (ALL THE WAY AROUND). THE DUCT MUST BE CENTERED WITHIN THIS OPENING

MAN4706

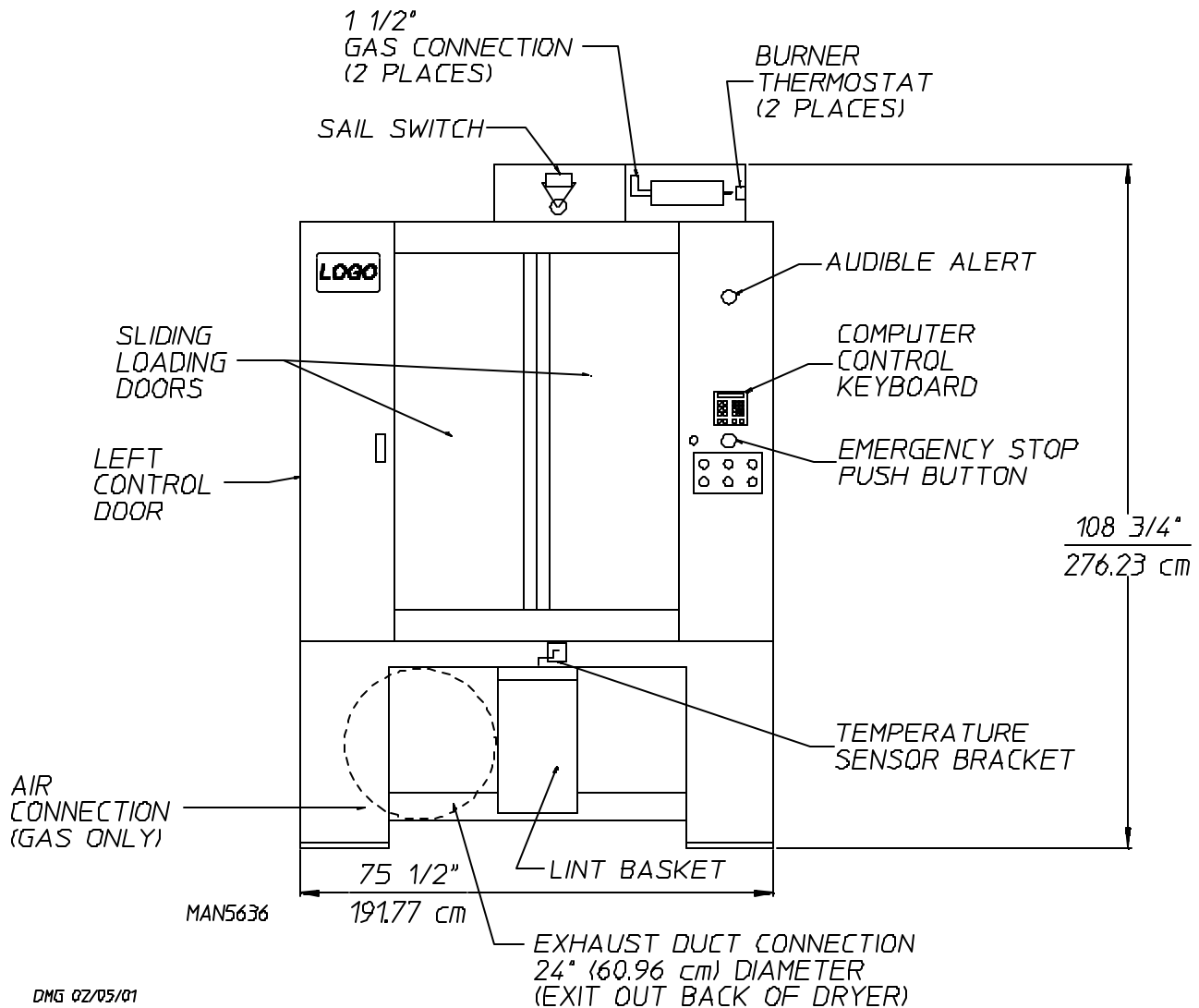
E. COMPRESSED AIR SUPPLY SYSTEM

A clean, dry, and regulated air supply of 80 PSI (5.51 bars) compressed air **must be** supplied to the dryer. The connection size is 1/8-inch N.P.T. No air filtering or pressure regulating devices are provided with the standard non-tilt dryer. A filter/regulator/gauge (F/R/G) assembly is provided on dryers with the optional automatic loading doors or the optional sprinkler system.

1. Compressed Air Supply Connection Location For Non-Tilt Dryers Built Without A Sprinkler System OR Without Automatic Loading Doors

a. Gas Dryers

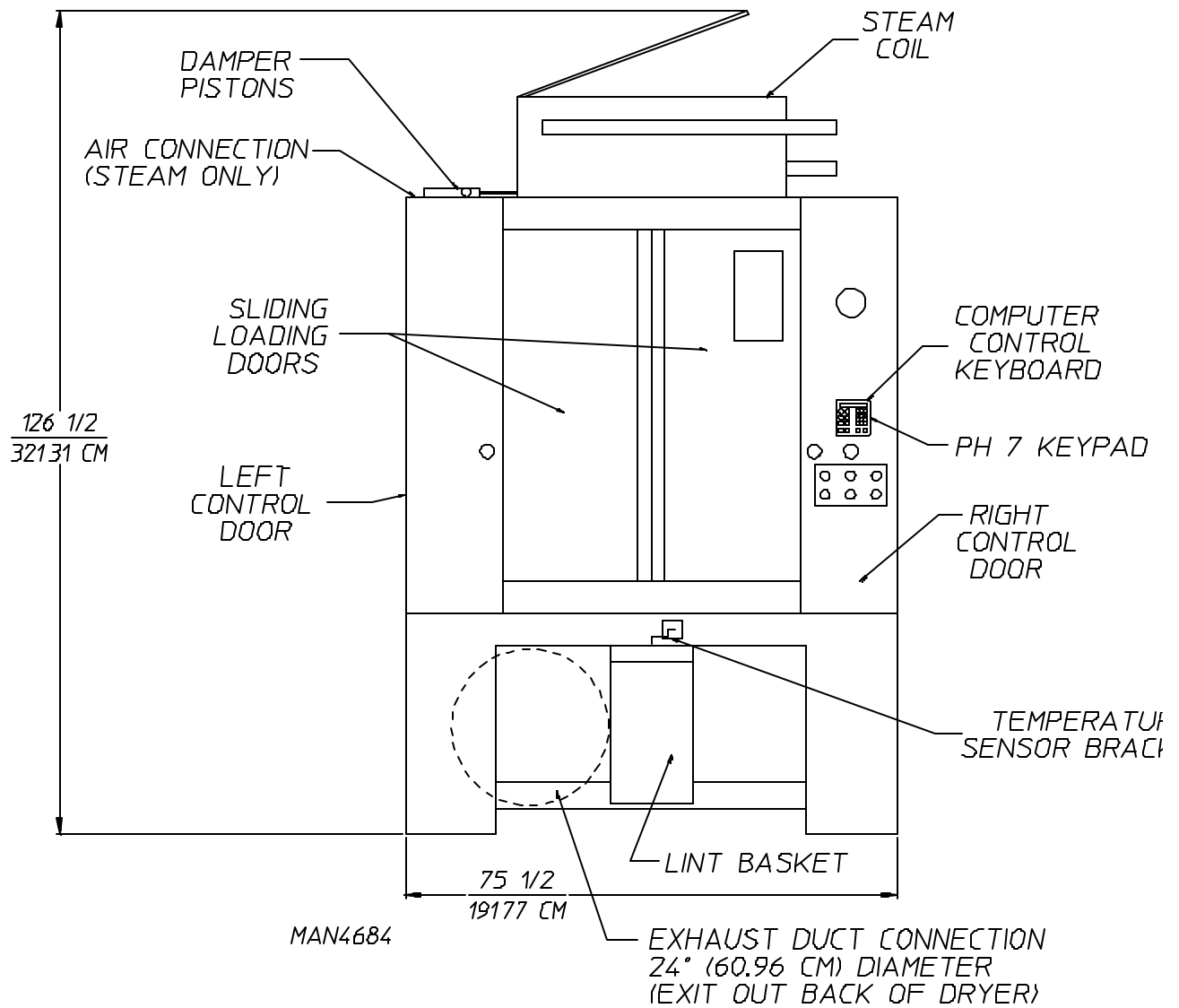
The air line supply connection is made into the 1/8-inch N.P.T. port on the air jet solenoid valve which is located in the base of the dryer. (Refer to the **illustration below.**)



DMS 02/05/01

b. Steam Dryers

The air line supply connection is made into the 1/8-inch N.P.T. tee which is located at the left hand side of the top of the dryer. (Refer to the **illustration below.**)



2. Optional Compressed Air Components

A filter/regulator/gauge (F/R/G) assembly is supplied with the dryer only if the dryer was built with either the optional sprinkler system or with the optional automatic (piston) operated loading doors.

a. Filter/Regulator/Gauge (F/R/G) Assembly

The compressed air supply to the dryer is connected into the 3/8-inch F.P.T. fitting of the F/R/G assembly which is located at the bottom rear of the right side of the base.

The F/R/G assembly performs three (3) essential functions. The filter removes most solids and liquid particles from the compressed air stream and traps them in its bowl where this waste can be readily removed through the drain valve at the bottom of the bowl.

The filter bowl **should be** cleaned monthly.

The regulator will maintain a nearly constant outlet air pressure so that the dryer's air pistons will function normally despite upstream air pressure variations. After the compressed air is connected into the F/R/G assembly, adjust the regulator knob so that the gauge needle reads 80 PSI (5.51 bars).

b. Optional Automatic (Piston Operated) Load/Unload Doors

If the dryer is equipped with the automatic door option then the loading doors are operated by two (2) pneumatic pistons located above the load doors. On 2 door dryers, the unloading doors on the back of the dryer will also be controlled by 2-pistons, located above the unload doors.

The 24 volt solenoid valve operators controlling the door pistons are located on the pneumatic plate in the rear of the dryer's base. These solenoid valves are configured so that if power to the dryer is shut off, the door pistons ports are bled to the atmosphere so that the doors can be opened and closed by hand.

c. Optional Sprinkler Valve

The sprinkler water flow is controlled by a pneumatically operated water valve, which is located in the left side of the base. This water valve is controlled by a 3-port/2-position, 24 volt double solenoid valve which is located at the top of the dryer's pneumatic plate. If no voltage is applied to both solenoids then **ALL** three 3-ports are blocked. This means that if the sprinkler is activated and power to the dryer is then shut off, the sprinkler will stay on, until the manual water valve is closed or until the dryer's internal temperature drops below the sprinkler set point temperature and the sprinkler reset button is physically pushed.

F. ELECTRICAL INFORMATION

1. Electrical Requirements

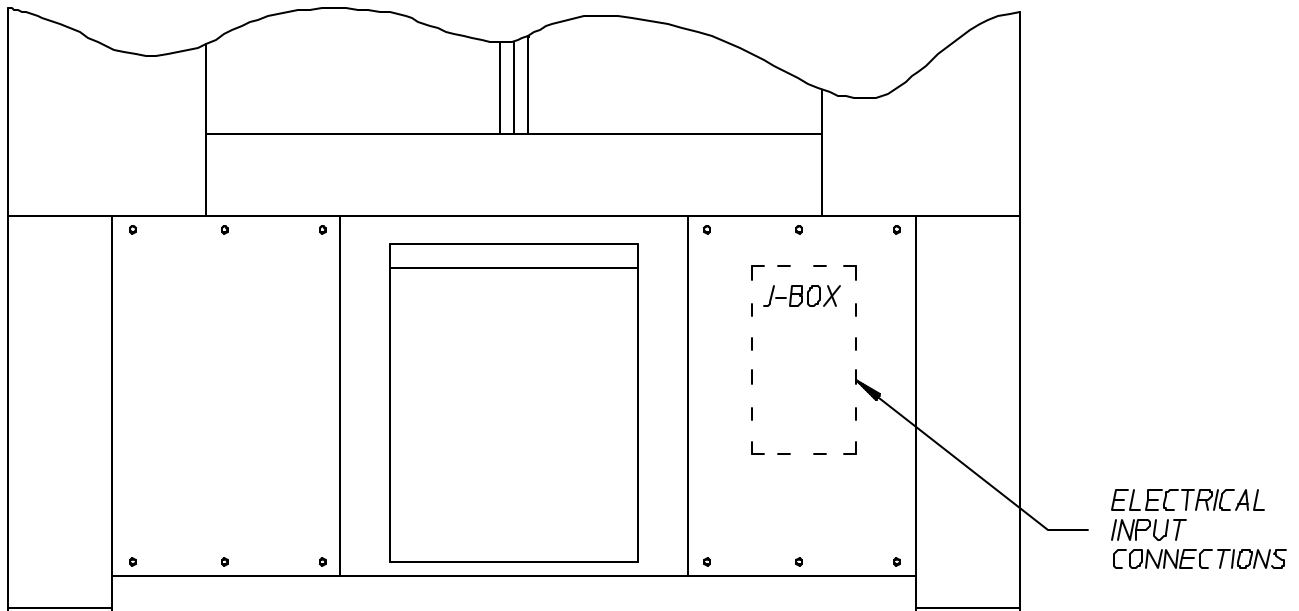
It is your responsibility to have **ALL** electrical connections made by a properly licensed and competent electrician to assure that the electrical installation is adequate and conforms to local and state regulations or codes. In the absence of such codes, **ALL** electrical connections, materials, and workmanship **must conform** to the applicable requirements of the National Electrical Code ANSI/NFPA NO. 70-LATEST EDITION or in Canada, the Canadian Electrical Codes Parts 1 and 2 CSA C22.1-1990 or LATEST EDITION.

IMPORTANT: Failure to comply with these codes or ordinances, and/or the requirements stipulated in this manual can result in personal injury or component failure.

NOTE: Component failure due to improper installation **VOIDS THE WARRANTY.**

Each dryer **should be** connected to an independently protected branch circuit. The dryer **must be** connected with copper wire only. **DO NOT use aluminum wire, which could cause a fire hazard.** The copper conductor wire/cable **must be** of proper ampacity and insulation in accordance with electric codes for making **ALL** service connects.

NOTE: The use of aluminum wire will **VOID THE WARRANTY.**



DMG 02/05/01

FRONT VIEW OF
NON-TILT BASE

MAN5637

2. Electrical Service Specifications

310 (Gas) Non-Tilt

15 HP Blower/5 HP Drive Motor

ELECTRICAL SERVICE SPECIFICATIONS (PER DRYER)

IMPORTANT: 208 VAC and 230 VAC **ARE NOT THE SAME**. When ordering, *specify exact voltage*.

- NOTES:**
- A. Fuse ratings are dual element, time delay, current limiting, class RK1 or RK5 **ONLY**.
 - B. Circuit breakers are thermal/magnetic (industrial) motor curve type **ONLY**. For others, calculate/ verify correct breaker size according to appliance amp draw rating and type of breaker used.
 - C. Circuit breakers for 3-phase (3 ϕ) dryers **must be** 3-pole type.

SERVICE VOLTAGE	PHASE	WIRE SERVICE	APPROX. AMP DRAW	FUSING	CIRCUIT BREAKER
				Dual Element Time Delay	
208	3 ϕ	3/4	57	80	90
230	3 ϕ	3	53	80	90
380	3 ϕ	3/4	31	50	60
416	3 ϕ	3/4	29	50	60
460/480	3 ϕ	3/4	30	50	60

IMPORTANT: The dryer *must be* connected to the electric supply shown on the data label that is affixed to the right electrical control panel.

WARNING: 208 VAC and 230 VAC **ARE NOT THE SAME**. Any damage done to dryer components due to improper voltage connections will automatically **VOID THE WARRANTY**.

NOTE: ADC reserves the right to make any changes in specifications at any time without notice or obligation.

310 (Steam) Non-Tilt

25 HP Blower Motor/5 HP Drive Motor

IMPORTANT: 208 VAC and 230 VAC ARE NOT THE SAME When ordering, *specify exact voltage.*

- NOTES:**
- A. Fuse ratings are dual element, time delay, current limiting, class RK1 or RK5 **ONLY**.
 - B. Circuit breakers are thermal/magnetic (industrial) motor curve type **ONLY**. For others, calculate/ verify correct breaker size according to appliance amp draw rating and type of breaker used.
 - C. Circuit breakers for 3-phase (3 ϕ) dryers **must be** 3-pole type.

SERVICE VOLTAGE	PHASE	WIRE SERVICE	APPROX. AMP DRAW	FUSING	CIRCUIT BREAKER
				Dual Element Time Delay	
208	3 ϕ	3/4	81	100	110
230	3 ϕ	3	72	100	110
380	3 ϕ	3/4	45	60	90
416	3 ϕ	3/4	40	60	80
460/480	3 ϕ	3/4	40	60	80

IMPORTANT: The dryer *must be* connected to the electric supply shown on the data label that is affixed to the right electrical control panel.

WARNING: 208 VAC and 230 VAC ARE NOT THE SAME. Any damage done to dryer components due to improper voltage connections will automatically VOID THE WARRANTY.

NOTE: ADC reserves the right to make any changes in specifications at any time without notice or obligation.

3. Electrical Connections

NOTE: A wiring diagram is included with each dryer and is located in the blueprint pocket inside the left side control cabinet.

The main electrical input connections to the dryer are the 3-phase (3 ϕ) power leads (L1, L2, and L3), GROUND, and in the case of 4 wire service, the NEUTRAL. These electrical connections are made at the power distribution block located in the base front electrical enclosure.

If the dryer has an optional sprinkler circuit then a separate single-phase (1 ϕ) source **must be** supplied to the sprinkler circuit at the name plate voltage. These connections are made at the power distribution block located in the base front electrical enclosure.

The main electrical (3-phase [3 ϕ]) connections (L1, L2, and L3) and the optional (single-phase [1]) connection **must be** provided and installed in accordance with state and local codes. In the absence of these codes, grounding **must conform** to applicable requirements of the National Electrical Code ANSI/NFPA NO. 70-LATEST EDITION. In **ALL** cases, a strain relief **must be** used where the wire(s) enter the dryer electrical service (relay) box.

NOTE: A CIRCUIT SERVICING EACH DRYER MUST BE PROVIDED.

4. Main Grounding

A ground (earth) connection **must be** provided and installed in accordance with state and local codes. In the absence of these codes, grounding **must conform** to applicable requirements of the National Electrical Code ANSI/NFPA NO. 70-LATEST EDITION, or in Canada, the installation **must conform** to applicable Canada Standards: Canadian Electrical Codes Parts 1 & 2 CSA C22.1-1990 or LATEST EDITION. The ground connection may be to a proven earth ground at the location service panel.

NOTE: A grounding connection (terminal lug) is provided in the dryer in the Base Electrical Junction Box.

For added personal safety, when possible, it is suggested that a separate ground wire (sized per local codes) be connected from the ground connection of the dryer to a cold water pipe. **DO NOT ground to a gas or hot water pipe.** The grounded cold water pipe **must have** metal to metal connections all the way to electrical ground. If there are any nonmetallic interruptions, such as a meter, pump, plastic, rubber, or other insulating connectors, they **must be** jumped out with no. 4 copper wire and securely clamped to bare metal at both ends.

IMPORTANT: For personal safety and proper operation, the dryer **must be** grounded. For proper operation of the microprocessor controller (computer), an earth (zero) ground is required.

NOTE: Grounding via metallic electrical conduit (pipe) **is not recommended.**

G. GAS INFORMATION

It is your responsibility to have **ALL** plumbing connections made by a qualified professional to assure that the gas plumbing installation is adequate and conforms to local and state regulations or codes. In the absence of such codes, **ALL** plumbing connections, materials, and workmanship **must conform** to the applicable requirements of the National Fuel Gas Code ANSI Z223.1-LATEST EDITION, or in Canada, the Canadian Installation Codes CAN/CGA-B149.1-M91 (Natural Gas) or CAN/CGA-B149.2-M91 (Liquid Propane [L.P.] Gas) or LATEST EDITION.

IMPORTANT: Failure to comply with these codes or ordinances, and/or the requirements stipulated in this manual, can result in personal injury and improper operation of the dryer.

The dryer and its individual shutoff valves **must be** disconnected from the gas supply piping system during any pressure testing of that system at test pressures in excess of 1/2 psig (3.5 kPa). The dryer **must be** isolated from the gas supply piping system by closing its individual manual shutoff valve during any pressure test of the gas supply system at test pressures equal to or less than 1/2 psig (3.5 kPa).

IMPORTANT: Failure to isolate or disconnect dryer from supply as noted can cause irreparable damage to the gas valve VOIDING THE WARRANTY.

WARNING: FIRE OR EXPLOSION COULD RESULT.

1. Gas Supply

The gas dryer installation **must meet** the American National Standard...National Fuel Gas Code ANSI Z223.1-LATEST EDITION, or in Canada, the Canadian Installation Codes CAN/CGA-B149.1 M91 (Natural Gas) or CAN/CGA-B149.2-M91 (L.P. Gas) or LATEST EDITION, as well as local codes and ordinances and **must be** done by a qualified professional.

NOTE: Undersized gas piping will result in ignition problems, slow drying, increased use of energy, and can create a safety hazard.

The dryer **must be** connected to the type of heat/gas indicated on the dryer label that is affixed to the right electrical control panel. If this information does not agree with the type of gas available, **DO NOT operate the dryer**. Contact the reseller who sold the dryer or contact the **ADC** factory.

IMPORTANT: Any burner changes or conversions **must be** made by a qualified professional.

The input ratings shown on the dryer data label are for elevations up to 2,000 feet (610 meters), unless elevation requirements over 2,000 feet (610 meters) were specified at the time the dryer order was placed with the factory. The adjustment or conversion of the dryers in the field for elevations over 2,000 feet (610 meters) is made by changing each burner orifice. If this conversion is necessary, contact the reseller who sold the dryer or contact the **ADC** factory.

2. Technical Gas Data

a. Gas Specifications

TYPE OF GAS				
	NATURAL		LIQUID PROPANE	
Manifold Pressure*	3.5 inches W.C.	8.7 mb	10.5 inches W.C.	26.1 mb
In-Line Pressure	6.0 - 12.0 inches W.C.	14.92 - 29.9 mb	10.5 inches W.C.	26.1 mb

Shaded areas are stated in metric equivalents

* Measured at outlet side of gas valve pressure tap when gas valve is on.

b. Gas Connections

Run a 1-1/2" pipe from the main gas header to the dryer. There are two (2) 1-1/4" gas pipe connections at the top of the dryer. The dryer has two (2) gas burner boxes and each one (1) has its own 1-1/4" gas connection.

Inlet connection ----- two (2) 1-1/4" N.P.T.
 Inlet Supply Size ----- 1-1/2" N.P.T. (minimum)
 BTU/hr input (per dryer) - 1,125,000 (283,500 kcal/hr)

1) Natural Gas

Pressure regulation is controlled by both gas valve's internal regulators. Incoming supply pressure **must be** consistently between a minimum of 6.0 inches (14.92 mb) water column (W.C.) and a maximum of 12.0 inches (29.9 mb) water column.

2) Liquid Propane (L.P.) Gas

Dryers made for use with L.P. gas have both of their gas valves internal pressure regulators blocked open so that the gas pressure **must be** regulated upstream of the dryer. The pressure is measured at each gas valve pressure tap **must be** a consistent 10.5 inches (26.1 mb) water column. There is no regulator or regulation provided in an L.P. gas dryer. The water column **must be** regulated at the source (L.P. tank) or external regulator/regulation **must be** added to each dryer.

3. Piping Connections

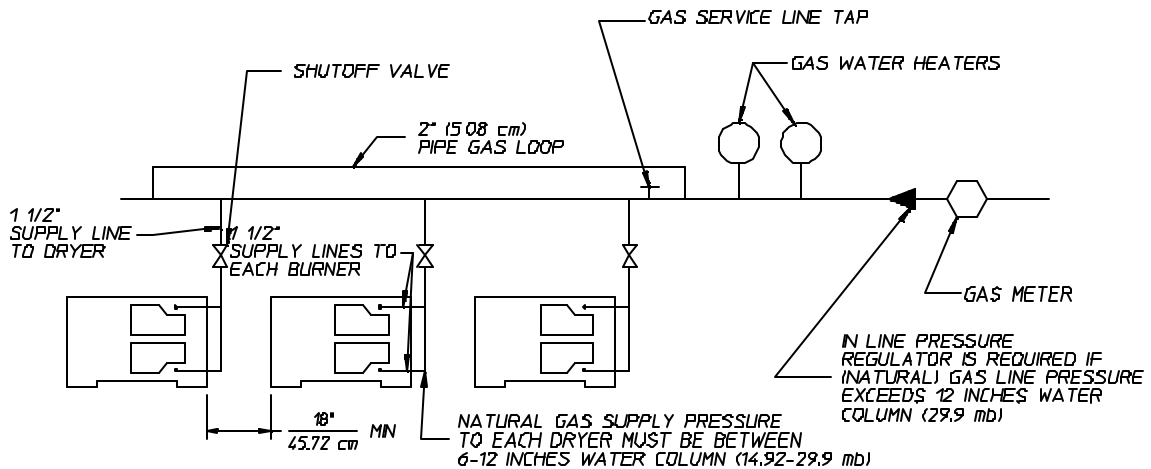
ALL components/materials **must conform** to National Fuel Gas Code Specifications ANSI Z223.1-LATEST EDITION, or in Canada, CAN/CGA-B149.1-M91 (Natural Gas) or CAN/CGA-B149.2-M91 (Liquid Propane [L.P.] Gas) or LATEST EDITION (for General Installation and Gas Plumbing), as well as local codes and ordinances and **must be** done by a qualified professional. It is important that gas pressure regulators meet applicable pressure requirements, and that gas meters be rated for the total amount of **ALL** the appliance BTUs being supplied.

The dryer is provided with two (2) 1-1/4" N.P.T. inlet pipe connections extending out of the top of the burner boxes. The minimum pipe size (supply line) to the dryer is 1-1/2" N.P.T. For ease of servicing, the gas supply line to each dryer **must have** its own shutoff valve.

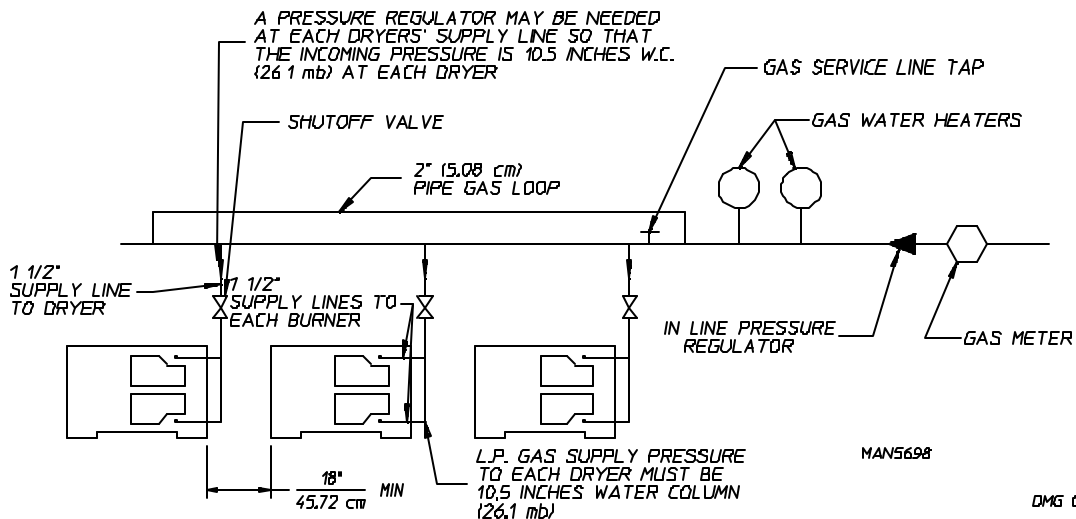
The size of the main gas supply line (header) will vary depending on the distance this line travels from the gas meter or, in the case of L.P. gas, the supply tank, other gas-operated appliances on the same supply line, etc.. Specific information regarding supply line size **should be** determined by the gas supplier.

NOTE: Undersized gas supply piping can create a low or inconsistent pressure which will result in erratic operation of the burner ignition system.

TYPICAL NATURAL GAS INSTALLATION



TYPICAL L.P. GAS INSTALLATION



Consistent gas pressure is essential at **ALL** gas connections. It is recommended that a 2-inch (5.08 cm) pipe gas loop be installed in the supply line servicing a bank of dryers. An in-line pressure regulator **must be** installed in the gas supply line (header) if the (natural) gas pressure exceeds 12.0 inches (29.9 mb) of water column (W.C.) pressure.

IMPORTANT: A water column pressure of 3.5 inches (8.7 mb) for natural gas and 10.5 inches (26.1 mb) for liquid propane (L.P.) dryers is required at the gas valve pressure tap of each dryer for proper and safe operation.

A 1/8-inch N.P.T. plugged tap, accessible for a test gauge connection, **must be** installed in the main gas supply line immediately upstream of each dryer.

IMPORTANT: Pipe joint compounds that resist the action of natural and L.P. gases **must be** used.

IMPORTANT: Test **ALL** connections for leaks by brushing on a soapy water solution (liquid detergent works well).

WARNING: NEVER TEST FOR GAS LEAKS WITH A FLAME!!!

ALL components/materials **must conform** to National Fuel Gas Code Specifications ANSI Z223.1-LATEST EDITION, or in Canada, CAN/CGA-B149.1-M91 (Natural Gas) or CAN/CGA-B149.2-M91 (L.P. Gas) or LATEST EDITION (for General Installation and Gas Plumbing), as well as local codes and ordinances and **must be** done by a qualified professional. It is important that gas pressure regulators meet applicable pressure requirements, and that gas meters be rated for the total amount of **ALL** the appliance BTUs being supplied

IMPORTANT: The dryer and its individual shutoff valve **must be** disconnected from the gas supply piping system during any pressure testing of that system at test pressures in excess of 1/2 psig (3.5 kPa).

NOTE: The dryer **must be** isolated from the gas supply piping system by closing its individual manual shutoff valve during any pressure testing of the gas supply piping system at test pressures equal to or less than 1/2 psig (3.5 kPa).

H. WATER SUPPLY CONNECTION FOR OPTIONAL SPRINKLER SYSTEM

If the optional sprinkler system was purchased with the dryer, connect a 40-70 psig (276-483 kPa) supply of water into the 1-inch F.P.T. sprinkler shutoff valve, which is located on top of the dryer on the left hand side.

I. STEAM INFORMATION

It is your responsibility to have **ALL** steam plumbing connections made by a qualified professional to assure that the installation is adequate and conforms to local and state regulations or codes.

IMPORTANT: Failure to comply with the requirements stipulated in this manual can result in component failure which will VOID THE WARRANTY.

NOTE: The dryer is manufactured with a pneumatic (piston) damper system which requires an external supply of clean, dry, and regulated air 80 PSI +/- 10 PSI (5.51 bars +/- 0.68 bars).

1. Steam Coil PH Level

The normal PH level for copper type steam coils **must be** maintained between a value of 8.5 to 9.5. For steel type steam coils the PH level **must be** maintained between a value of 9.5 to 10.5. These limits are set to limit the acid attack of the steam coils.

IMPORTANT: Coil failure due to improper PH level will VOID THE WARRANTY.

2. Steam Requirements - High Pressure

Inlet -----2-inch supply line connection

Return -----2-inch return line connection

OPERATING STEAM PRESSURE		
MAXIMUM	125 psig	862 kPa
MINIMUM	100 psig	689 kPa
HEAT INPUT (NORMAL LOAD)	35 Bhp	
CONSUMPTION (APPROXIMATE)	1,153 lbs/hr	524 kg/hr

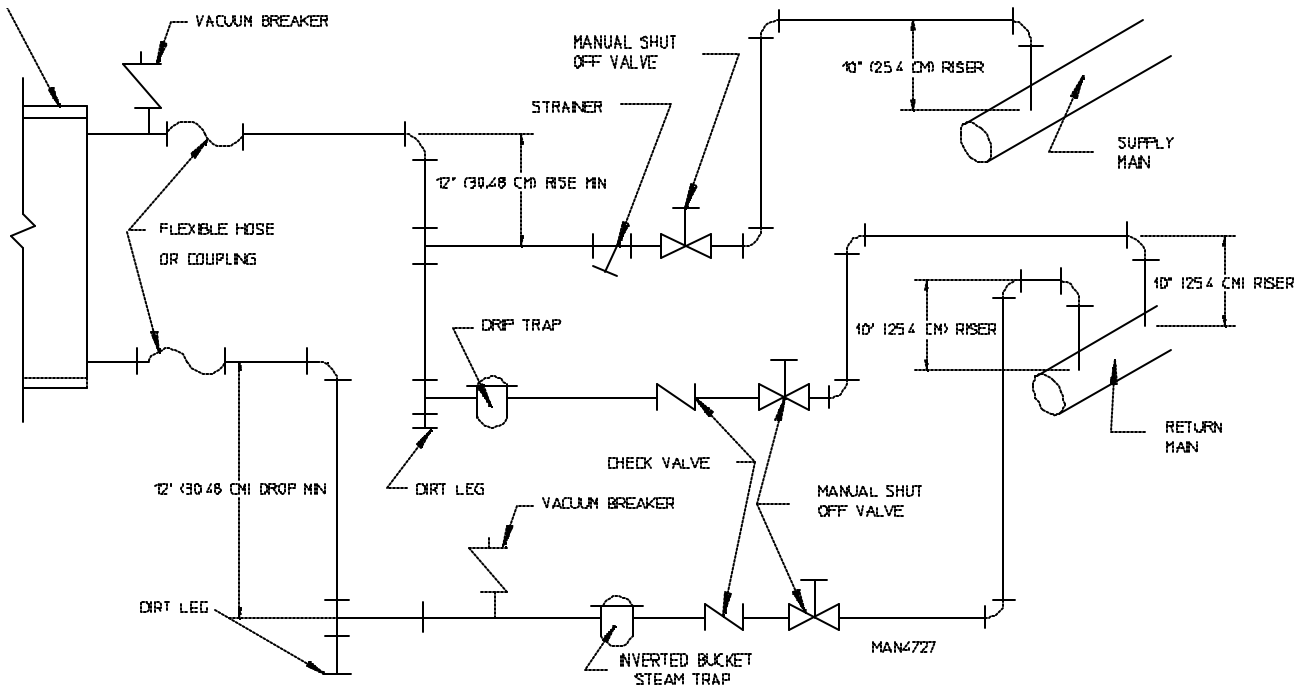
Shaded areas are stated in metric equivalents

3. Installation Instructions

To insure that an adequate supply of steam is provided, be sure that the steam supply and steam return lines are sized and laid out as stipulated in this manual. Inadequate steam supply and steam return lines or improper steam plumbing will result in poor performance and can cause component failure. Clean, dry, and regulated steam **must be** provided to the dryer.

IMPORTANT: Steam coil failure due to water hammer by wet steam will VOID THE WARRANTY.

- a. The presence of the condensate in the steam supply will cause water hammer and subsequent heat exchanger (steam coil) failure. The steam supply connection into the main supply line **must be** made within a minimum 10-inch (25.4 cm) riser. This will prevent any condensate from draining towards the dryer.
- b. The steam supply piping to the dryer must include a 12-inch (30.48 cm) rise along with a drip trap and check valve. This will prevent any condensate from entering the steam coil.
- c. Flexible hoses or couplings **must be** used. The dryer vibrates slightly when it runs and this will cause the steam coil connections to crack if they are hard piped to the supply and return mains.
- d. Shutoff valves for each dryer **should be** installed in the supply, return, and drip trap return lines. This will allow the dryer to be isolated from the supply and return mains if the dryer needs maintenance work.
- e. Install an inverted bucket steam trap and check valve for each unit at least 12-inches (30.48 cm) below steam coil as close to the coil as possible.
- f. The supply and return lines **should be** insulated. This will save energy and provide for safety of the operator and maintenance personnel.
- g. Water pockets in the supply line, caused by low points, will provide wet steam to the coil possibly causing coil damage. **ALL** horizontal runs of steam supply piping **should be** pitched 1/4-inch (0.64 cm) for every 1 foot (0.31 meters) back towards the steam supply header causing any condensate in the line to drain to the header. Install a bypass trap in any low point to eliminate wet steam.



4. Steam Damper Air System Connections

The dryer is manufactured with a pneumatic (piston) damper system which requires an external supply of compressed air. The air connection is made at the left hand side on top of the dryer.

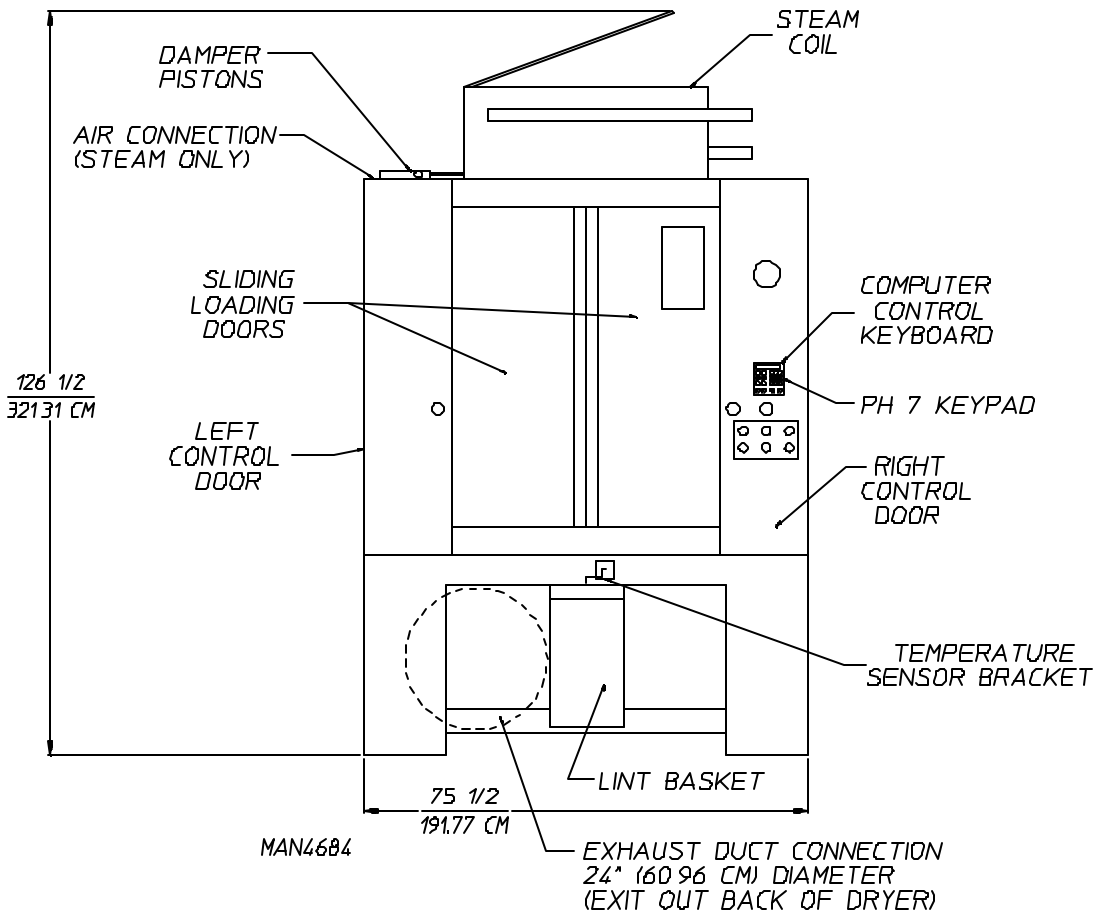
a. Air Requirements

Compressed Air Supply	Air Pressure	
Normal	80 PSI	5.51 bars
Minimum Supply	70 PSI	4.82 bars
Maximum Supply	90 PSI	6.20 bars

Shaded areas are stated in metric equivalents

b. Air Connection

Air connection to system --- 1/8-inch F.P.T.



- c. No air regulation is provided with a standard dryer. External regulation/filtration of 80 PSI (5.51 bars) **must be** provided. It is suggested that a filter/regulator/gauge (F/R/G) arrangement be added to the compressed air line just before the dryer connection. This is necessary to insure that correct and clean air pressure is achieved. The F/R/G is provided on dryers with the optional automatic door or the optional sprinkler circuit.

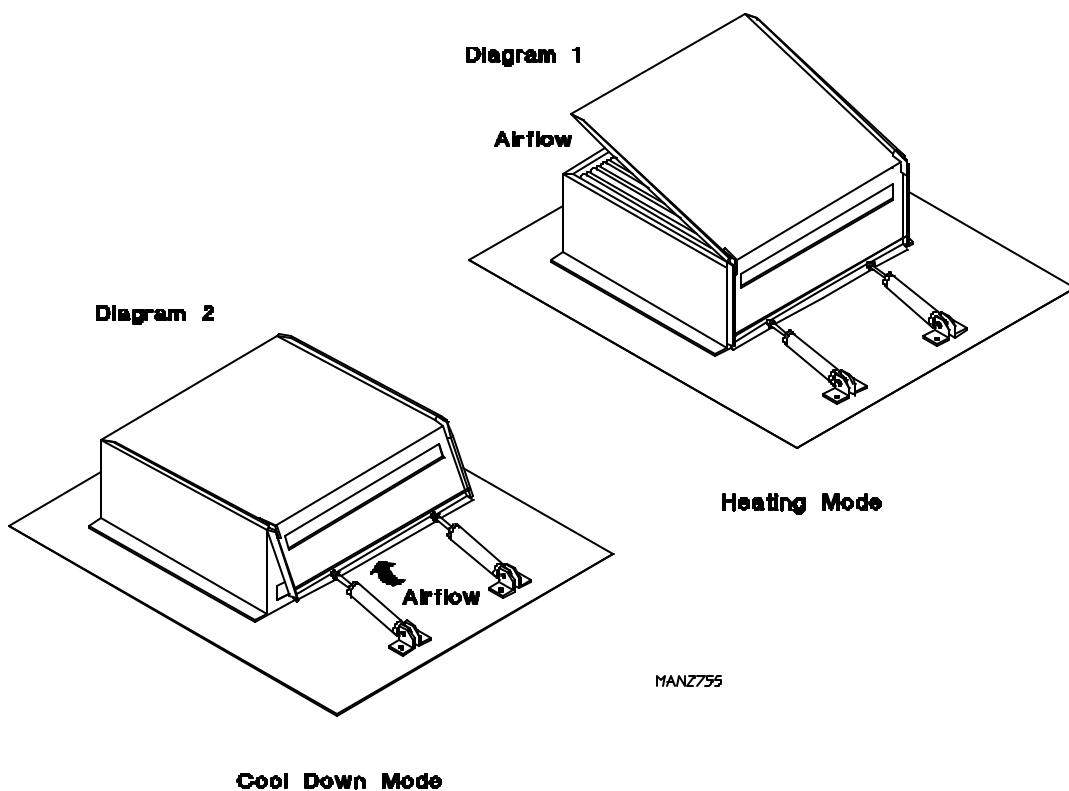
5. Steam Damper System Operation

The steam damper, as shown in the **illustration below**, allows the coil to stay constantly charged eliminating repeated expansion and contraction. When the damper is opened, the air immediately passes through the already hot coil, providing instant heat to start the drying process. When the damper is closed, ambient air is drawn directly into the basket (tumbler), allowing a rapid cool down.

Diagram 1 --shows the damper in the heating (open) mode, allowing heat into the basket (tumbler).

Diagram 2 --shows the damper in the cool down (closed) mode, pulling ambient air directly into the basket (tumbler) without passing through the coils.

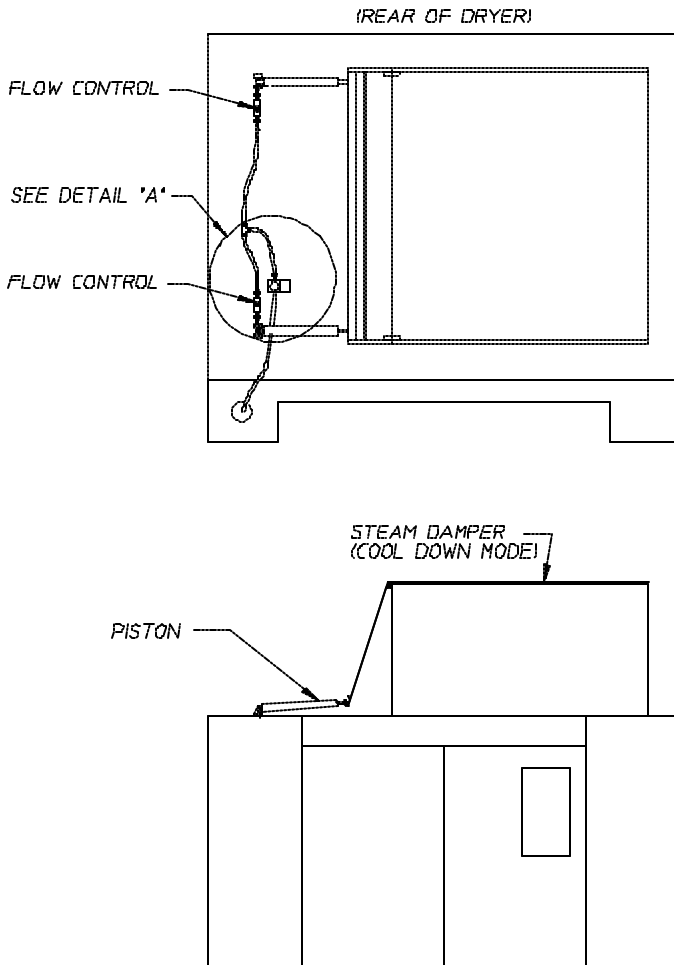
NOTE: With the dryer off or with no air supply, the damper is in the cool down mode as shown in Diagram 2.



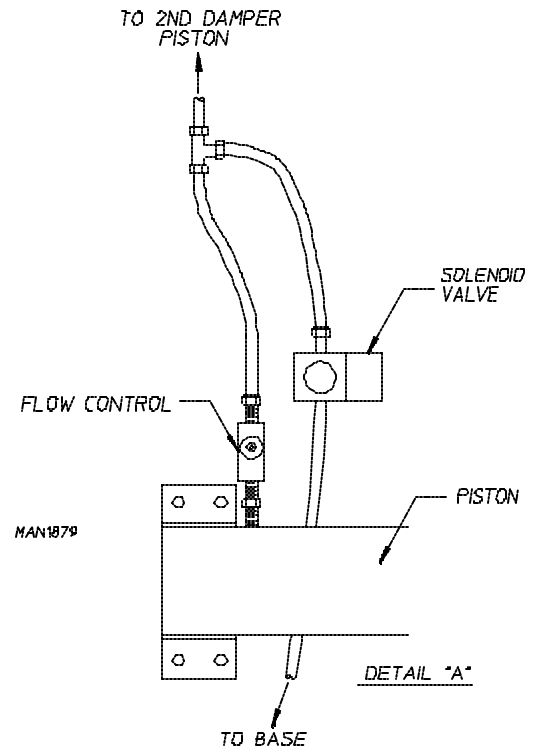
6. Steam Damper Air Piston (Flow Control) Operation Adjustment

Steam damper operation was tested and adjusted prior to shipping at 80 PSI (5.51 bars). If steam damper adjustment is necessary, locate the flow control valve and make the necessary adjustments as noted below.

NOTE: Adjust both flow control valves equally, so that both pistons operate at the same time.



NOTE.
TURNING KNOB ON FLOW CONTROL CLOCKWISE WILL RESTRICT AIR FLOW. TURNING KNOB COUNTER-CLOCKWISE WILL ALLOW HIGHER AIR FLOW



J. PREOPERATIONAL TESTS

ALL dryers are thoroughly tested and inspected before leaving the factory. However, a preoperational test **should be** performed before the dryer is publicly used. It is possible that adjustments have changed in transit or due to marginal location (installation) conditions.

1. Turn on electric power to the dryer.
2. Make sure the loading doors are closed and the lint drawer is closed.
3. Make sure “green” power button is in and illuminated.
4. Microprocessor controller (computer) system operational test -- to start the dryer:
 - a. Display will read “READY.”
 - b. Press “D” (preprogrammed) cycle key on the keyboard (touch pad).
5. The dryer will then start. (i.e., blower, basket [tumbler] and heat)
6. The light emitting diode (L.E.D.) display will read MANUAL DRYING CYCLE D, 00:00 MIN REMAIN.

NOTE: Press the “UP ARROW” to view the basket (tumbler) temperature at anytime.

NOTE: The dryer can be stopped at anytime by pressing the “STOP/CLEAR” key. If the temperature is above the Cool Down set point when the “STOP/CLEAR” is pressed, the dryer will go into a Cool Down Cycle. If the “STOP/CLEAR” key is pressed again at this point the cycle that was in progress **will be** canceled and returned to the “READY” state. If the temperature is below the Cool Down set point. The cycle that was in progress **will be** canceled, and go to Wrinkle Guard.

7. When the programmed drying time has expired, the Phase 7 OPL microprocessor controller (computer) will proceed into the Cool Down Cycle (Mode).
8. Once the Cool Down Cycle begins at the end of the heat cycle the L.E.D. display will read COOL DOWN TEMP ___/___MINUTE REMAINING. At the end of the heat cycle the dryer will shut off the heat, and continue the fan and basket (tumbler) until the Cool Down Time, or temperature is reached.
9. Once the Cool Down Cycle is completed the Phase 7 OPL microprocessor controller (computer) will proceed into the Wrinkle Guard Cycle. The Audio Alert tone will sound for (the amount set in Audio Alert ON Time). The L.E.D. display will read “WRINKLE GUARD.” The times are fixed at two (2) minutes OFF, 2 minutes ON for a max time of 99 minutes. These times are not programmable. During the ON time, the Blower (fan) and the (basket) tumbler will start to rotate (without heat for two [2] minutes). The Phase 7 OPL microprocessor controller (computer) will repeat this process until the Maximum Wrinkle Guard On Time has expired (99 minutes). The L.E.D. display will then read “CYCLE DONE” and lockout the dryer functions until the doors are opened. It will then return to “READY.”

NOTE: Mechanical functions of the dryer **is not** allowed during the ON time. The blower (fan) **must be** OFF to perform mechanical functions. However the “STOP/CLEAR” key may be pressed at any time to end a the Wrinkle Guard cycle. Mechanical functions of the dryer is allowed during the OFF time.

NOTE: Dryer can be stopped at any time by opening the main door or by pressing the “CLEAR/STOP” key. To restart the dryer, press the “ENTER/START” key or a preprogrammed cycle key (i.e., “E”).

NOTE: Pressing keyboard (touch pad) key “A,” “B,” “C,” “D,” and “F” will also start the dryer. The six (6) preprogrammed drying cycles (“A” thru “F”) have been stored in the Microprocessor controller’s (computer’s) memory. Refer to the Programming Manual supplied with the dryer for these preprogrammed cycles.

10. Check to insure that the basket (tumbler) starts in the clockwise (CW) direction. Additionally, check the direction of the blower motor to insure that it rotates in the counterclockwise (CCW) direction as viewed from the left side of the dryer. If it does, the phasing is correct. If the phasing is incorrect, reverse two (2) of the leads at L1, L2, or L3 of the power supply connections made to the dryer.

IMPORTANT: Dryer blower motor and impellor/fan shaft as viewed from the left side of the dryer must turn in the counterclockwise (CCW) direction, otherwise the dryer efficiency **will be** drastically reduced, and premature component failure can result.

11. Heat Circuit Operational Test

a. Gas Models

- 1) When the dryer is first started (during initial start-up), the burners have a tendency not to ignite on the first attempt. This is because the gas supply piping is filled with air, so the dryer may have to be stopped and restarted several times for this air to be purged from the lines.
- 2) The dryer has two (2) burner boxes and each burner has its own Direct Spark Ignition (DSI) module and Spark Ignition/Flame-Probe Assembly. If ignition is not established after first attempt, the heat circuit DSI module will lockout until it is manually reset. To reset the DSI system, open and close the loading doors and restart the dryer (press “ENTER/START” key).

If one burner lights and the other does not, then the system will shut both burners off and the burner fault code will be displayed showing which of the two (2) burner failed to ignite.

NOTE: During the purging period, verify that **ALL** gas shutoff valves are open.

- 3) Once ignition is established, a gas pressure test **should be** taken at each gas valve pressure tap of the dryer to assure that the water column (W.C.) pressure is correct and consistent.

NOTE: Water column pressure requirements (measured at both gas valve pressure taps)...

Natural Gas----- 3.5 inches (8.7 mb) water column.

Liquid Propane (L.P.) ----- 10.5 (26.1 mb) inches water column.

IMPORTANT: There is no regular provided in an L.P. dryer. The water column pressure ***must be*** regulated at the source (L.P. tank), or an external regulator ***must be*** added to each dryer.

b. Steam Models

- 1) Check to insure that the steam damper is functioning properly.

- 2) Make a complete operational check of **ALL** safety-related circuits (i.e., lint drawer switch and sail switches on gas models).
- 3) A reversing basket (tumbler) **should never be** operated with less than a 100 lb. (45.4 kg.) load (dry weight). The size of the load will affect the coast-down and dwell (stop) times. The basket (tumbler) must come to a complete stop before starting in the opposite direction. For automatic (mode) cycle only, the spin and stop times are not adjustable and have been preprogrammed into the microprocessor controller (computer) for a 2-1/2 minute reverse spin time and a 7-second dwell (stop) time.

BASKET COATING

The basket (tumbler) is treated with a protective coating. We suggest dampening old garments or cloth material with a solution of water and nonflammable mild detergent and tumbling them in the basket (tumbler) to remove this coating.

- 4) Each dryer **should be** operated through one (1) complete cycle to assure that no further adjustments are necessary and that **ALL** components are functioning properly.
- 5) Microprocessor controller (computer) programs/selections...
 - a. Each microprocessor controller (computer) has been preprogrammed by the factory with the most commonly used parameter (programs) selections. If computer program changes are required, refer to the computer programming manual which was shipped with the dryer.

K. PREPARATION FOR OPERATION/START-UP

The following items **should be** checked before attempting to operate the dryer:

1. Read **ALL** “CAUTION,” “WARNING,” and “DIRECTION” labels attached to the dryer.
2. Check incoming supply voltage to be sure that it is the same as indicated on the dryer data label affixed behind the right control box door. In case of 208 VAC, for dryers with sprinkler option, verify single-phase (1Ø) voltage is correct. The supply voltage must match the electrical service **exactly**.
3. **GAS MODELS** - check to assure that the dryer is connected to the type of heat/gas indicated on the dryer data label.
4. **GAS MODELS** - the sail switch damper assembly was installed and adjusted at the factory prior to shipping. However, each sail switch adjustment **must be** checked to assure that this important safety control is functioning.
5. **GAS MODELS** - be sure that **ALL** gas shutoff valves are in the open position.
6. Be sure **ALL** side and base panels are on the dryer.
7. Check **ALL** service doors to assure that they are closed and secure.
8. Be sure lint drawer is securely in place.

NOTE: LINT DRAWER *MUST BE ALL THE WAY IN PLACE TO ACTIVATE SAFETY SWITCH OTHERWISE THE DRYER WILL NOT START.*

9. Rotate the basket (tumbler/drum) by hand to be sure it moves freely.

L. SHUT DOWN INSTRUCTIONS

If the dryer is to be shut down (taken out of service) for a period of time, the following **must be** performed;

1. Discontinue power to the dryer either at the external disconnect switch or the circuit breaker.
2. Discontinue the heat supply:
 - a. ***GAS MODELS ... discontinue the gas supply.***
 - 1) **SHUT OFF external gas supply shutoff valve.**
 - 2) **SHUT OFF internal gas supply shutoff valve located in the gas valve burner area.**
 - b. ***STEAM MODELS ... discontinue steam supply.***
 - 1) **SHUT OFF external (location furnished) shutoff valve.**
 - 2) **SHUT OFF internal steam valves in the supply lines and the return lines.**

SECTION V

SERVICE/PARTS INFORMATION

A. SERVICE

1. Service **must be** performed by a qualified trained technician, service agency, or gas supplier. If service is required, contact the reseller from whom the **ADC** equipment was purchased. If the reseller **cannot** be contacted or is unknown, contact the **ADC** Service Department for a reseller in your area.

NOTE: When contacting the **ADC** Service Department, be sure to give them the correct **model number** and **serial number** so that your inquiry is handled in an expeditious manner.

B. PARTS

1. Replacement parts **should be** purchased from the reseller from whom the **ADC** equipment was purchased. If the reseller **cannot** be contacted or is unknown, contact the **ADC** Parts Department for a reseller in your area. Parts may also be purchased directly from the factory by calling the **ADC** Parts Department at (508) 678-9000 or you may FAX in your order at (508) 678-9447.

NOTE: When ordering replacement parts from the **ADC** reseller or the **ADC** factory be sure to give them the correct **model number** and **serial number** so that your parts order can be processed in an expeditious manner.

SECTION VI

WARRANTY INFORMATION

A. RETURNING WARRANTY CARD(S)

1. Before any dryer leaves the **ADC** factory test area, a warranty card is placed on the back side of the main door glass. These warranty cards are intended to serve the customer where we record the individual installation date and warranty information to better serve you should you file a warranty claim.
 - a. If a warranty card did not come with your dryer, contact the **ADC** Warranty Department or the **ADC** Service Department at (508) 678-9000.

IMPORTANT: A separate warranty card *must be* completed and returned for each individual dryer.

NOTE: Be sure to include the installation date when returning the warranty card(s).

B. WARRANTY

For a copy of the **ADC** commercial warranty covering your particular dryer(s), contact the **ADC** reseller from whom you purchased the equipment and request a dryer warranty form. If the reseller **cannot** be contacted or is unknown, warranty information can be obtained from the factory by contacting the **ADC** Warranty Department at (508) 678-9000.

NOTE: Whenever contacting the **ADC** factory for warranty information, be sure to have the dryer's **model number** and **serial number** available so that your inquiry can be handled in an expeditious manner.

C. RETURNING WARRANTY PART(S)

ALL dryer or parts warranty claims or inquires **should be** addressed to the **ADC** Warranty Parts Department. To expedite processing, the following procedures **must be** followed:

1. No parts are to be returned to **ADC** without prior written authorization ("Return Material Authorization" [R.M.A.]) from the factory.

NOTE: An R.M.A. is valid for only thirty (30) days from date of issue.

- a. The R.M.A. issued by the factory, as well as any other correspondence pertaining to the returned part(s), **must be** included inside the package with the failed merchandise.

2. Each part **must be** tagged with the following information:
 - a. **Model number** and **serial number** of the dryer from which part was removed.
 - b. Nature of failure (be specific).
 - c. Date of dryer installation.
 - d. Date of part failure.
 - e. Specify whether the part(s) being returned is for a replacement, a credit, or a refund.

NOTE: If a part is marked for a credit or a refund, the invoice number covering the purchase of the replacement part **must be** provided.

NOTE: Warranty tags (ADC Part No. 450064) are available at “no charge” from ADC upon request.

3. The company returning the part(s) must clearly note the complete company name and address on the outside of the package.
4. **ALL** returns **must be** properly packaged to insure that they are not damaged in transit. *Damage claims are the responsibility of the shipper.*

IMPORTANT: No replacements, credits, or refunds **will be** issued for merchandise damaged in transit.

5. **ALL** returns **should be** shipped to the ADC factory in such a manner that they are insured and a proof of delivery can be obtained by the sender.
6. **Shipping charges are not the responsibility of ADC. ALL returns should be “prepaid” to the factory. Any “C.O.D.” or “COLLECT” returns will not be accepted.**

IMPORTANT: No replacements, credits, or refunds **will be** issued if the claim **cannot** be processed due to insufficient information. The party filing the claim **will be** notified in writing, either by “FAX” or “CERTIFIED MAIL - Return Receipt Requested,” as to the information necessary to process claim. If reply **is not** received by the ADC Warranty Department within thirty (30) days from the FAX/letter date, then no replacements, credits, or refunds **will be** issued, and the merchandise **will be** discarded.

SECTION VI

ROUTINE MAINTENANCE

A. CLEANING

A program and/or schedule **should be** established for periodic inspection, cleaning, and removal of lint from various areas of the dryer, as well as throughout the ductwork system. The frequency of cleaning can best be determined from experience at each location. Maximum operating efficiency is dependent upon proper air circulation. The accumulation of lint can restrict this airflow. If the guidelines in this section are met, an ADC dryer will provide many years of efficient, trouble free, and most importantly, safe operation.

WARNING: LINT FROM MOST FABRICS IS HIGHLY COMBUSTIBLE. THE ACCUMULATION OF LINT CAN CREATE A POTENTIAL FIRE HAZARD.

WARNING: KEEP DRYER AREA CLEAR AND FREE FROM COMBUSTIBLE MATERIALS, GASOLINE, AND OTHER FLAMMABLE VAPORS AND LIQUIDS.

NOTE: Suggested time intervals shown are for average usage which is considered six (6) to eight (8) operational (running) hours per day.

SUGGESTED CLEANING SCHEDULE

EVERY THIRD OR FOURTH LOAD

Clean the lint basket. A clogged lint basket will cause poor dryer performance. The lint basket is located in the lint drawer in the base of the dryer. Pull out the lint drawer, brush the lint off the lint basket, and remove the lint. Inspect lint screen and replace if torn.

NOTE: Frequency can best be determined at each location.

WEEKLY

Open the hinged panels on each side of the basket (tumbler) section and remove any lint accumulation, from the basket (tumbler) drive motor, drive shafts, gear reducer, V-belts, drive wheels, and drive shaft bearings.

Slide the lint basket **ALL** the way out of the dryer and clean any lint accumulation off of the temperature sensor bracket, which is located above the lint basket.

WARNING: TO AVOID THE HAZARD OF ELECTRICAL SHOCK, DISCONTINUE ELECTRICAL SUPPLY TO THE DRYER.

MONTHLY

Empty the compressed air filter bowl.

EVERY 3 MONTHS

Re-grease the two (2) 1-3/8" bearings that support the impellor/fan shaft. Use Shell Alvania #2 grease or its equivalent. Impellor/fan shaft bearings **must be** lubricated.

Apply a hi-temperature grease to the four (4) 1-1/2" diameter basket (tumbler) drive shaft pillow block bearings. (Use Shell Alvania #2 grease or its equivalent).

Retighten setscrews in the collars of the four (4) 1-1/2" diameter basket (tumbler) drive shaft bearings.

Clean lint accumulation from the gas valve/burner area at the top of the dryer, the fan (impellor) motor, and the fan/impellor bearings located in the dryer's base.

NOTE: To prevent damage, avoid cleaning and/or touching ignitor/flame-probe assembly.

EVERY 6 MONTHS

Remove the gear oil in the basket (tumbler) drive shaft gear reducer. Replace with 1.4 liters of Mobil oil DTE HH5G (I.S.O. viscosity grade 460) or its equivalent.

Check fan (impellor) and drive motor V-belts for tightness and wear. Retighten and replace if required.

STEAM MODELS - Clean the steam coil fins. We suggest using compressed air and a vacuum cleaner with brush attachment.

NOTE: When cleaning steam coil fins, be careful not to bend the fins. If fins are bent, straighten by using a fin comb, which is available from local air conditioning supply houses.

Inspect and remove lint accumulation in customer furnished exhaust ductwork system and from dryer's internal exhaust ducting.

CAUTION: THE ACCUMULATION OF LINT IN THE EXHAUST DUCTWORK CAN CREATE A POTENTIAL FIRE HAZARD.

NOTE: DO NOT OBSTRUCT THE FLOW OF COMBUSTION AND VENTILATION AIR. CHECK CUSTOMER FURNISHED BACK DRAFT DAMPERS IN THE EXHAUST DUCTWORK. INSPECT AND REMOVE ANY LINT ACCUMULATION, WHICH CAN CAUSE THE DAMPER TO BIND OR STICK.

NOTE: When cleaning the dryer cabinet(s), avoid using harsh abrasives. A product intended for the cleaning of appliances is recommended.

B. ADJUSTMENTS

7 DAYS AFTER INSTALLATION AND EVERY 6 MONTHS THEREAFTER

Inspect bolts, nuts, screws (bearing setscrews), and nonpermanent gas connections (unions, shutoff valves, orifices, and grounding connections). Motor and drive belts **should be** examined. Cracked or seriously frayed belts **should be** replaced. Tighten loose V-belts when necessary. Complete operational check of controls and valves. Complete operational check of **ALL** safety devices (door switch, lint drawer switch, sail switch, burner, and hi-limit thermostats).

30 DAYS AFTER INSTALLATION

SHUT OFF ALL POWER TO THE DRYER. Verify that the electrical connections to the motor contactors and overloads are tight. This is done to accommodate the compression of the wires over time.

C. LUBRICATION

MONTHLY

The two (2) bearings that support the impellor/fan shaft **must be** lubricated. Use Shell Alvania #2 grease or its equivalent. Generically, this grease would be described as an NLGI Grade 2 multipurpose industrial grease with a lithium thickener and mineral base oil.

EVERY 3 MONTHS

The four (4) bearings that support the drive and idler shafts **must be** lubricated. Use Shell Alvania #2 grease or its equivalent. Generically, this grease would be described as an NLGI Grade 2 multipurpose industrial grease with a lithium thickener and mineral base oil.

SECTION VII

COMPONENT SYSTEM DESCRIPTIONS

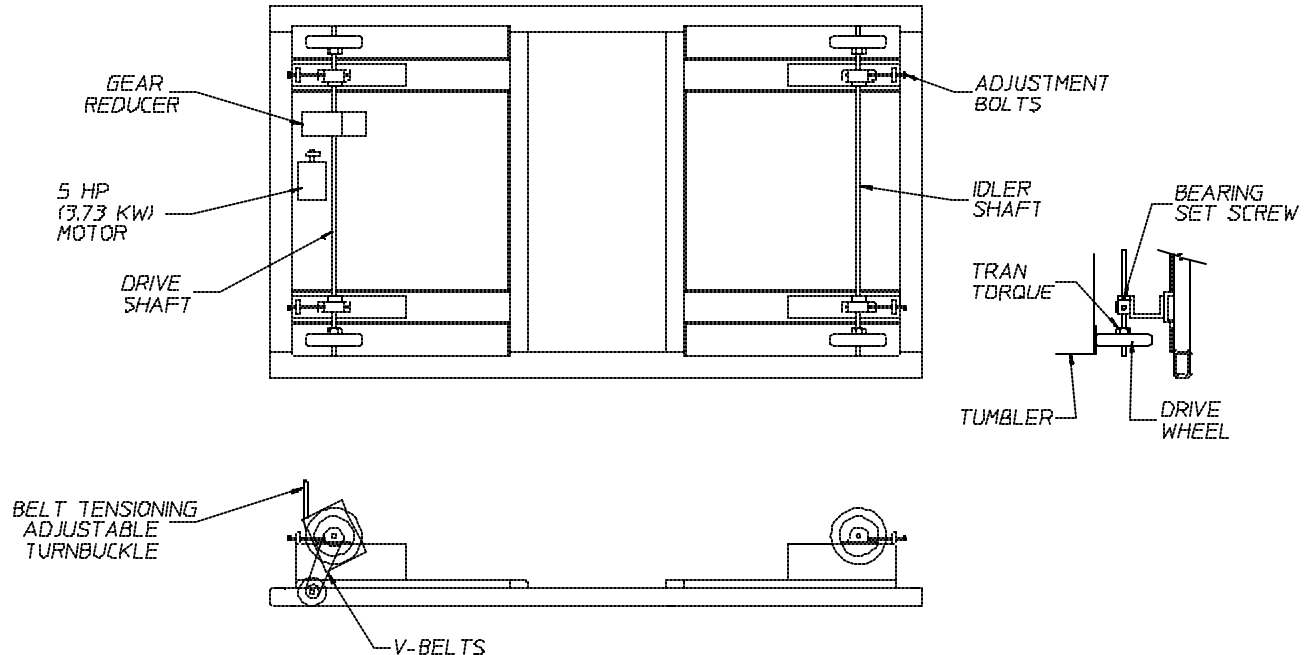
A. BASKET (TUMBLER) DRIVE SYSTEM

The basket (tumbler) is supported and driven by four (4) 11-inch (27.94 cm) diameter drive wheels. Two (2) of these wheels are attached to a 1-1/2" (3.81 cm) diameter idler shaft, while the other two (2) are attached to a 1-1/2" (3.81 cm) diameter drive shaft. Each of the wheels is fastened to the shafts by a taper lock bushing. The taper lock is made up of three (3) pieces: an inner collar, an outer sleeve, and a key. The inner and outer elements have matching opposing tapers. As a result, when the bolts are tightened, the taper lock contracts onto the shaft and expands into the drive wheel hub locking the wheel onto the shaft.

The idler shaft and drive shaft are each supported by two (2) 1-1/2" (3.81 cm) diameter pillow block bearings. These bearings sit on slotted support channels and can be moved inward or outward by the adjustment bolts to raise or lower the basket (tumbler).

The drive system consists of a shaft mounted gear reducer, two (2) V-belts, and a 5 HP (3.73 kw) drive motor. Belt tension can be adjusted by tightening or loosening the gear reducer turnbuckle.

BASKET (TUMBLER) DRIVE SYSTEM



WHEN REPLACING A DRIVE WHEEL.

- 1 ALWAYS CHANGE BOTH WHEELS ON A SHAFT
- 2 MARK POSITION OF BEARINGS ON SUPPORTS THIS WILL MAKE REASSEMBLY OF SHAFT AND CENTERING OF TUMBLER EASIER
- 3 SHOVE BLOCKS OF WOOD UNDER TUMBLER TO TAKE IT'S WEIGHT OFF OF DRIVE WHEELS
- 4 REMOVE BEARING HOLD DOWN BOLTS AND ADJUSTMENT BOLTS.
- 5 SLIDE COMPLETE SHAFT ASSEMBLY OUT OF SIDE OF DRYER

MAN4710

B. BASKET (TUMBLER)

The basket (tumbler) is made of 14-gauge stainless steel perforated panels, four (4) stainless steel ribs, and two (2) outer basket (tumbler) rings made of rolled steel angle iron that has been turned on a lathe for smoothness. The basket (tumbler) is a completely welded assembly so the perforated panels are not removable.

C. AIR BLOWER DRIVE SYSTEM

The impellor (fan) used in the dryer is an 18-1/4" (46.35 cm) diameter squirrel cage impellor (fan) wheel. It spins in a counterclockwise (CCW) direction looking at the back of the blower housing.

The impellor (fan) shaft is mounted in two (2) pillow block bearings, and the shaft is driven by two (2) B-section V-belts connected to the blower motor.

The blower motor is mounted on an adjustable base. The motor position can be easily adjusted so that proper tension can be maintained on the V-belts.

D. SAFETY DEVICES

1. Load/Unload Door Switches

There are two (2) of these switches located above the main loading doors. These switches ensure that the doors are closed before the dryer can start and ensures that the doors are fully open before the dryer will tilt. If the dryer is started when the load doors are open, the microprocessor controller (computer) light emitting diode (L.E.D.) display will show "front door not closed" or "rear door not closed" for 2 door dryers.

2. Lint Basket Switch

This switch ensures that the lint basket is closed before the dryer can start. This switch is located at the front of the dryer at the right side of the lint basket. If the lint basket is open when the dryer is started, the microprocessor controller (computer) L.E.D. will display "Lint Drawer Open" and will not reset until the lint drawer has been closed. For a "clean lint" prompt the lint drawer must remain open for 15-seconds.

3. Manual Reset Basket (Tumbler) Hi-Limit Safety Thermostat

The manual reset basket (tumbler) hi-limit switch is a thermostat type switch located above the lint basket. Its function is to discontinue heat (flame) in the event of an over temperature situation (above 225° F [107° C]). This will shut off the gas flow to the burner boxes; and the display will read an error code of "tumbler hi-limit fault." The manual reset hi-limit safety **must be** manually reset and the Phase 7 computer **must be** reset. (Access to the switch is gained by sliding/pulling the lint basket completely out of the dryer.)

4. Burner Box Hi-Limit Safety Thermostats (for Gas Dryers ONLY)

These disk temperature switches have a setting of 330° F (166° C). They are located on the right side of each burner box, and they are a manual reset type of switch. These switches ensure that there is a proper airflow through the burner box. Upon a low airflow condition, which may be caused by a clogged lint screen excessively long or blocked exhaust duct, or improper make-up air, the temperature in the burner boxes will increase tripping these switches. This will shut off the gas flow to the burner boxes; and the display will read an error code of "Burner Hi-Limit Fault." The thermostat **must be** manually reset and the Phase 7 computer **must be** reset.

5. Sail Switches (for Gas Dryers Only)

The sail switches are located in the front and back of the burner boxes. A sail switch consists of a round damper plate on a lever arm, which is in contact with an electric switch. When the air blower comes on, it draws air through the gas burners. This creates a negative pressure inside the burner boxes. This negative pressure pulls in the sail switches. If the sail switches **DO NOT** pull in, this will prevent the dryer from operating and a sail switch fault will display.

NOTE: An overly long or blocked exhaust duct, lack of make-up air, or clogged lint screen will prevent the sail switches from pulling in.

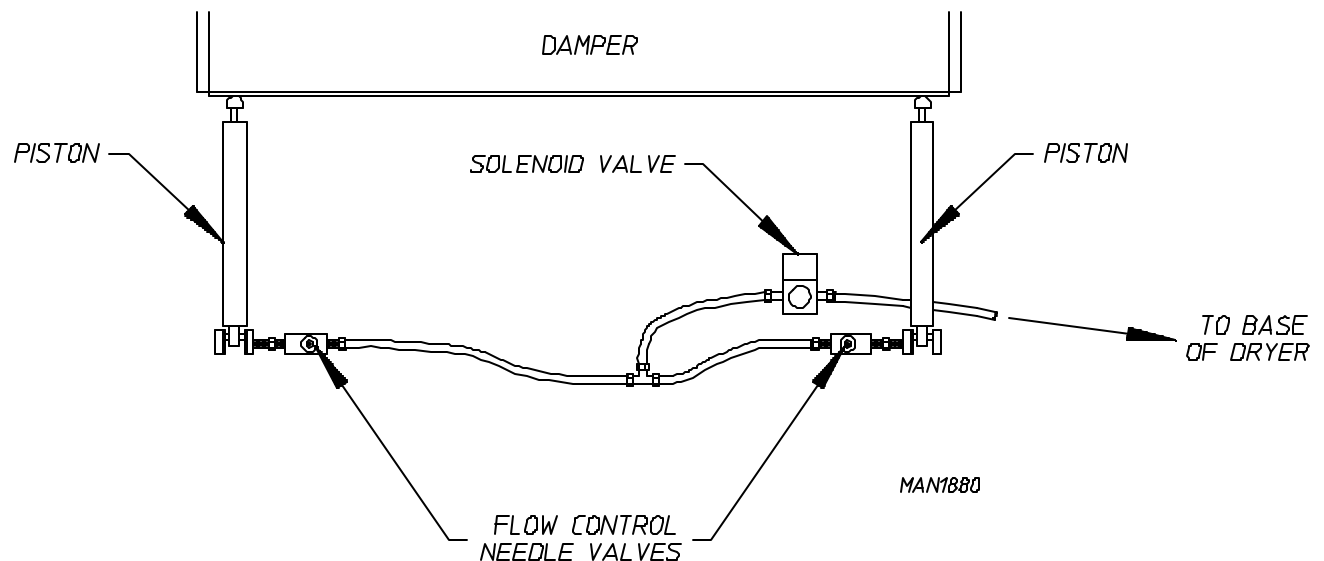
E. STEAM DAMPER ACTUATOR SYSTEM

The system consists of a hinged damper plate, two (2) pneumatic pistons (each with its own airflow needle valve) to control the speed of both pistons actuation, and a 24 volt solenoid valve.

On a call for heat, a 24 volt signal is applied to the 3-way/2-position solenoid valve. This signal switches the valve so that compressed air is sent to the pistons. The piston rods extend, pushing the hinged steam damper plate to the opened position. This allows room air to be drawn through the hot steam coil and then through the basket (tumbler).

When the temperature set point has been reached, the 24 volt signal is removed from the solenoid valve, so that the solenoid valve blocks the air supply to the pistons, and the air in the pistons is bled to the atmosphere. The springs in the pistons now retract the piston rods, closing the steam damper: The steam damper plate now covers the steam coil and allows room air to bypass the coil before entering the basket (tumbler) for a rapid cool down.

The steam damper plate should open and close slowly and smoothly. The speed can be modulated by adjusting both needle valve knobs. Turning the knob clockwise (CW) restricts the compressed airflow and slows down the steam damper motion. Counterclockwise (CCW) adjustment speeds up the steam damper motion. Upon completion of adjustment, tighten the needle valve's locking nut.



NOTE: Turning knob on flow control clockwise (CW) will restrict airflow. Turning knob counterclockwise (CCW) will allow higher airflow.

SECTION VIII

BURNER AND BASKET (TUMBLER)/LINT CHAMBER

MANUAL RESET HI-LIMIT INSTRUCTIONS

IMPORTANT

MANUAL RESET HI-LIMIT INSTRUCTIONS

(PHASE 7 - GAS MODELS ONLY)

This dryer was manufactured with a burner manual reset hi-limit and basket (tumbler)/lint chamber hi-limit thermostat. If either burner manual reset hi-limit thermostat is open prior to the start of the drying cycle, or during the cycle, the dryer will recognize the open state of the burner hi-limit thermostat and display a hi-limit fault. The manual reset hi-limit thermostat **must be** reset manually.

This hi-temperature condition may be caused due to a restricted exhaust, poor airflow, or improper burner oven operation.

The location of the manual reset hi-limit switch is on the left side of the burner box and the basket (tumbler) hi-limit is located in the lint chamber area.

WARNING: Discontinue power to the dryer before attempting to reset hi-limit.

IMPORTANT

This dryer is equipped with a burner hi-limit and tumbler/lint chamber hi-limit thermostat which must be reset manually.

WARNING: Discontinue power to dryer before attempting to reset hi-limit.

ADC P/N: 114093

IMPORTANT

MANUAL RESET HI-LIMIT INSTRUCTIONS

(PHASE 7 - STEAM MODELS ONLY)

This dryer was manufactured with a manual reset basket (tumbler)/lint chamber hi-limit thermostat. If the manual reset thermostat is open prior to the start of the drying cycle, or during the cycle, the dryer will recognize the open state of the hi-limit thermostat and will display a hi-limit fault. The manual reset hi-limit **must be** reset manually.

This hi-temperature condition may be caused due to a restricted exhaust, poor airflow, or improper heating unit operation.

The location of the manual reset hi-limit is in the lint chamber area.

WARNING: Discontinue power to the dryer before attempting to reset hi-limit.

IMPORTANT

This dryer is equipped with a lint chamber hi-limit thermostat which must be reset manually.

WARNING: Discontinue power to dryer before attempting to reset hi-limit.

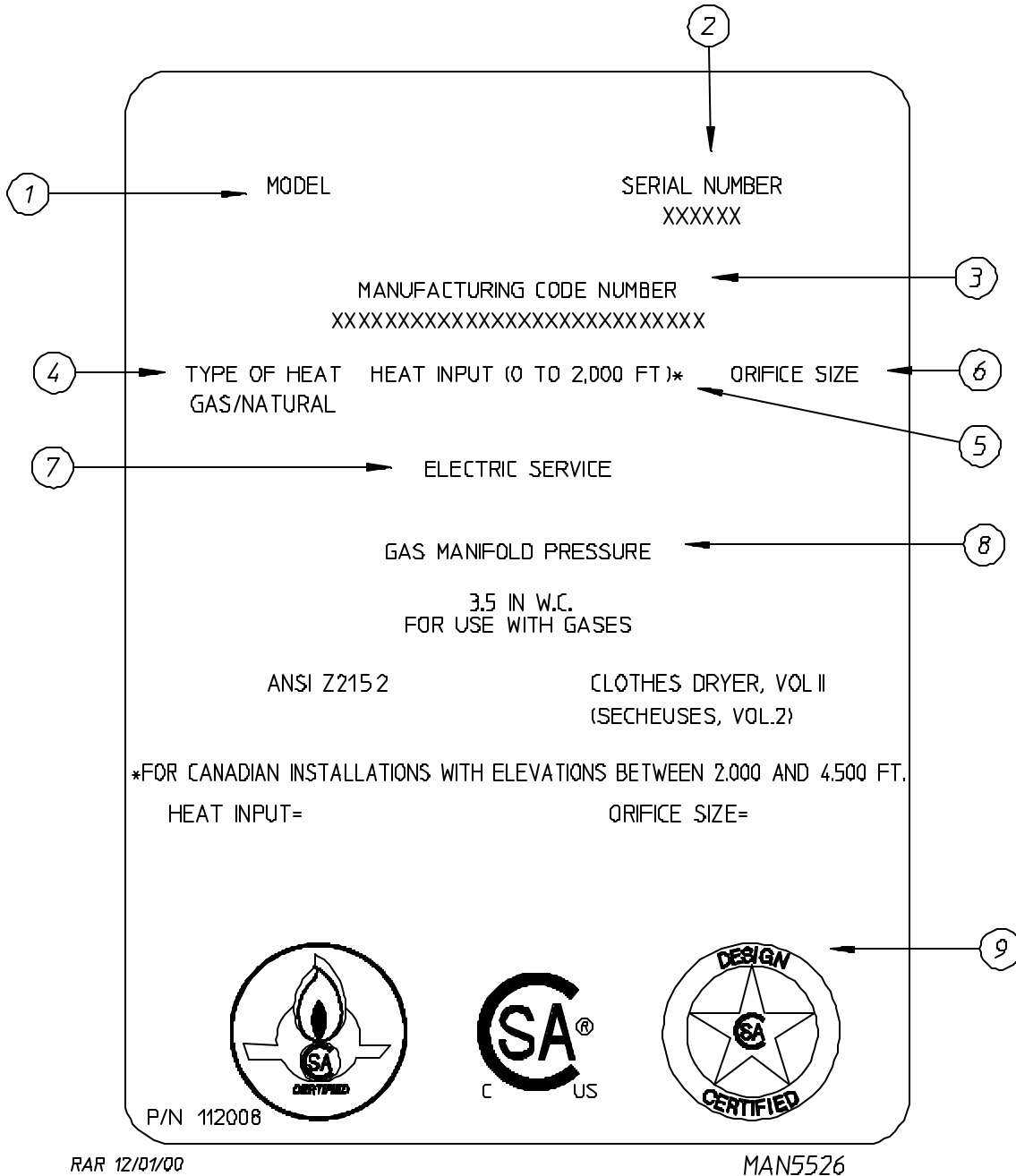
ADC P/N: 114093

SECTION IX

DATA LABEL INFORMATION

A. DATA LABEL

Contact **American Dryer Corporation**



When contacting **ADC**, certain information is required to insure proper service/parts information from **ADC**. This information is on the data label located on the right electrical control panel. When contacting **ADC** please have the **model number** and **serial number** available.

THE DATA LABEL

1. MODEL NUMBER

The model number is an **ADC** number, which describes the size of the dryer and the type of heat (gas, electric, or steam).

2. SERIAL NUMBER

The serial number allows **ADC** to gather information on your particular dryer.

3. MANUFACTURING CODE NUMBER

The manufacturing code number is a number issued by **ADC**, which describes **ALL** possible options on your particular model.

4. TYPE OF HEAT

This describes the type of heat for your particular dryer; gas (either natural gas or liquid propane [L.P.] gas) or steam.

5. HEAT INPUT (for GAS DRYERS)

This describes the heat input in British Thermal Units per Hour (BTUH).

6. ORIFICE SIZE (for GAS DRYERS)

Gives the number drill size used.

7. ELECTRIC SERVICE

This describes the electric service for your particular model.

8. GAS MANIFOLD PRESSURE (for GAS DRYERS)

This describes the manifold pressure taken at the gas valve tap.

9. APPLICABLE APPROVAL SEAL(S)

I.e., Canadian Standards Association International.

SECTION X

PROCEDURE FOR FUNCTIONAL CHECK OF REPLACEMENT COMPONENTS

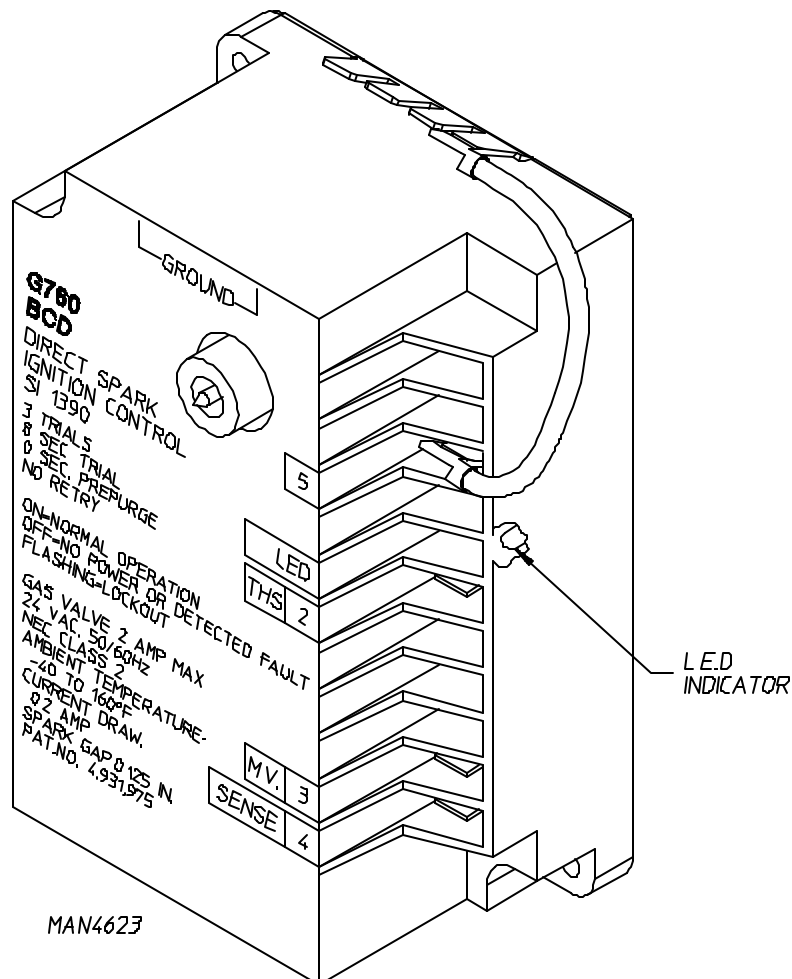
1. For Models With Johnson Controls Direct Spark Ignition (DSI) Module (G760)

Theory Of Operation:

Start the drying cycle. When the gas burner ignites within the chosen trial for ignition time (6-seconds), the flame sensor detects gas burner flame and signals the DSI module to keep the gas valve open...as long as there is a call for heat. The DSI module will "LOCKOUT" if the gas burner flame is not sensed at the end of the trial for ignition period. The trial for ignition period will be repeated for a total of three (3) retries/trials (the initial try and two [2] more retries/trials). If the flame is not sensed at the end of the third retry/trial (inter-purge period of 30-seconds) the DSI module will "LOCKOUT" (light emitting diode [L.E.D.] flashes).

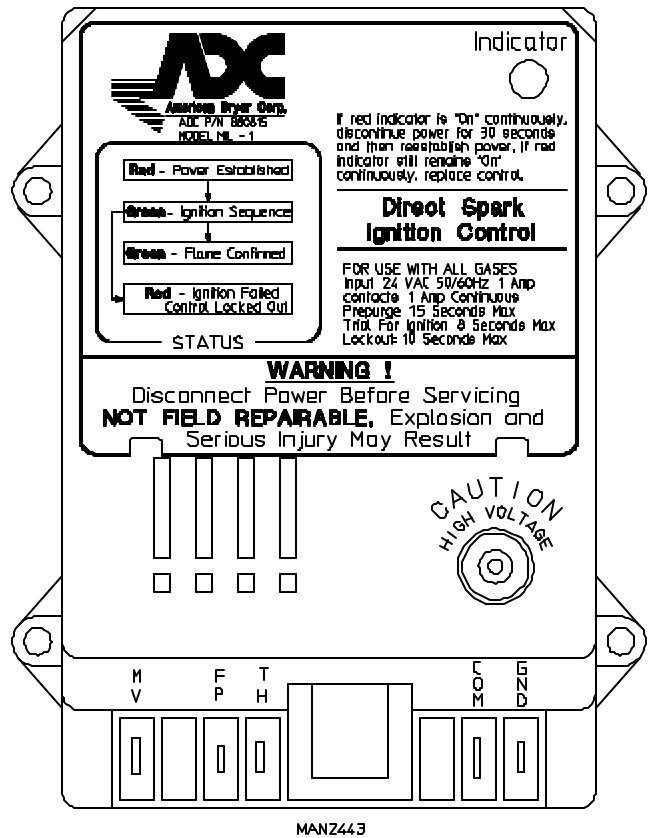
A steady L.E.D. indicator indicates normal operation.

No L.E.D. indicator indicates a power or an internal failure has occurred.



2. For Direct Spark Ignition (DSI) System Models Manufactured With ADC Module Part No. 880815

- a. Upon completing installation of the replacement DSI module, reestablish power to the dryer.
- b. Starting the drying cycle.
- c. The ignition DSI module's light emitting diode (L.E.D.) indicator will light "red" for up to approximately 1.5-seconds (prepurge time).
- d. The module's indicator light will then turn "green." The gas valve will be energized and the ignitor probe will spark for approximately 8-seconds. The burner flame **should now be** established.
- e. With the burner flame on, remove the flame sensor wire from the FS terminal of the DSI module.
- f. The burner flame must shut off and the ignition module must lockout with the DSI module's indicator light "red."
- g. Stop the drying cycle, with the flame sensor wire still removed, restart the drying cycle.
- h. The ignition module must proceed through the prepurge, with the indicator light "red," the ignition trial time of approximately 8-seconds, with the indicator light "green," and then proceed to lockout with the indicator light "red."
- i. Functional check of the DSI module is complete.



- 1) Replace the flame sensor wire from the FS terminal to the DSI module.

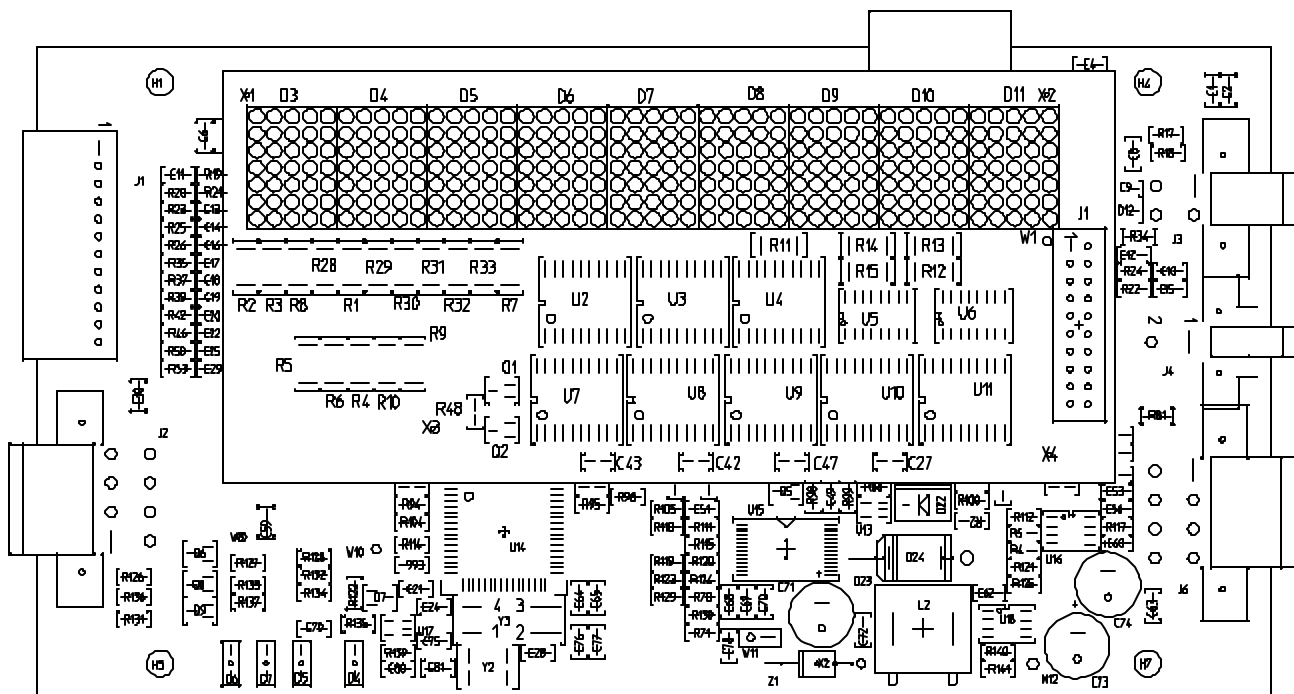
SECTION XI

PHASE 7 OPL SYSTEM DIAGNOSTICS

IMPORTANT: YOU MUST DISCONNECT AND LOCKOUT THE ELECTRIC SUPPLY AND THE GAS SUPPLY OR THE STEAM SUPPLY BEFORE ANY COVERS OR GUARDS ARE REMOVED FROM THE MACHINE TO ALLOW ACCESS FOR CLEANING, ADJUSTING, INSTALLATION, OR TESTING OF ANY EQUIPMENT PER OSHA (Occupational Safety and Health Administration) STANDARDS.

ALL major circuits, including door, microprocessor temperature sensor, heat and motor circuits are monitored. The Phase 7 OPL microprocessor controller (computer) will inform the user, via the light emitting diode (L.E.D.) display of certain failure messages, along with L.E.D. indicators on the input/output (I/O) board on the back panel of the front right control door.

A. DIAGNOSTIC (L.E.D. DISPLAY) FAULT MESSAGES



DMG 01/16/01

MAN5587

CALL FOR SERVICE - Indicates a board failure.

FRONT DOOR NOT CLOSED - A front door is open when it **should be** closed.

REAR DOOR NOT CLOSED - A rear door is open when it **should be** closed.

CHECK CONTROL POWER - Indicates control power is off.

EXHAUST HIGH TEMP FAULT - Indicates the temperature in the basket (tumbler) is above 225° F (107° C).

LINT DRAWER OPEN - Indicates the lint drawer is open and needs to be closed.

DRY ENABLE FAULT - Indicates the dryer is not level and **ALL** doors are closed. Not ready to start drying.

FRONT NOT DOWN - dryer is tilted back.

REAR NOT DOWN - dryer is tilted forward.

TUMBLER OVERLOAD FAULT - Indicates the basket (tumbler) overload has tripped open.

FAN OVERLOAD FAULT - Indicates the fan overload has tripped open.

EXHAUST HI-LIMIT FAULT - Indicates the temperature disk in the exhaust has opened.

FRONT SAIL SWITCH CLOSED FAULT - Front sail switch is closed and **should be** open.

FRONT SAIL SWITCH OPEN FAULT - Front sail switch is open and **should be** closed.

REAR SAIL SWITCH CLOSED FAULT - Rear sail switch is closed and **should be** open.

REAR SAIL SWITCH OPEN FAULT - Rear sail switch is open and **should be** closed.

FAN CONTACTOR FAULT - The fan contactor was not pulled in.

FRONT BURNER HI-LIMIT FAULT - Indicates the temperature disk in the front burner has opened.

REAR BURNER HI-LIMIT FAULT - Indicates the temperature disk in the rear burner has opened.

FRONT BURNER VALVE FAULT - Indicates front gas valve is not working or no gas is turned on or flameout.

REAR BURNER VALVE FAULT - Indicates rear gas valve is not working or no gas is turned on or flameout.

FRONT BURNER IGNITION CONTROL FAULT - Front ignition module is not working or failure to ignite.

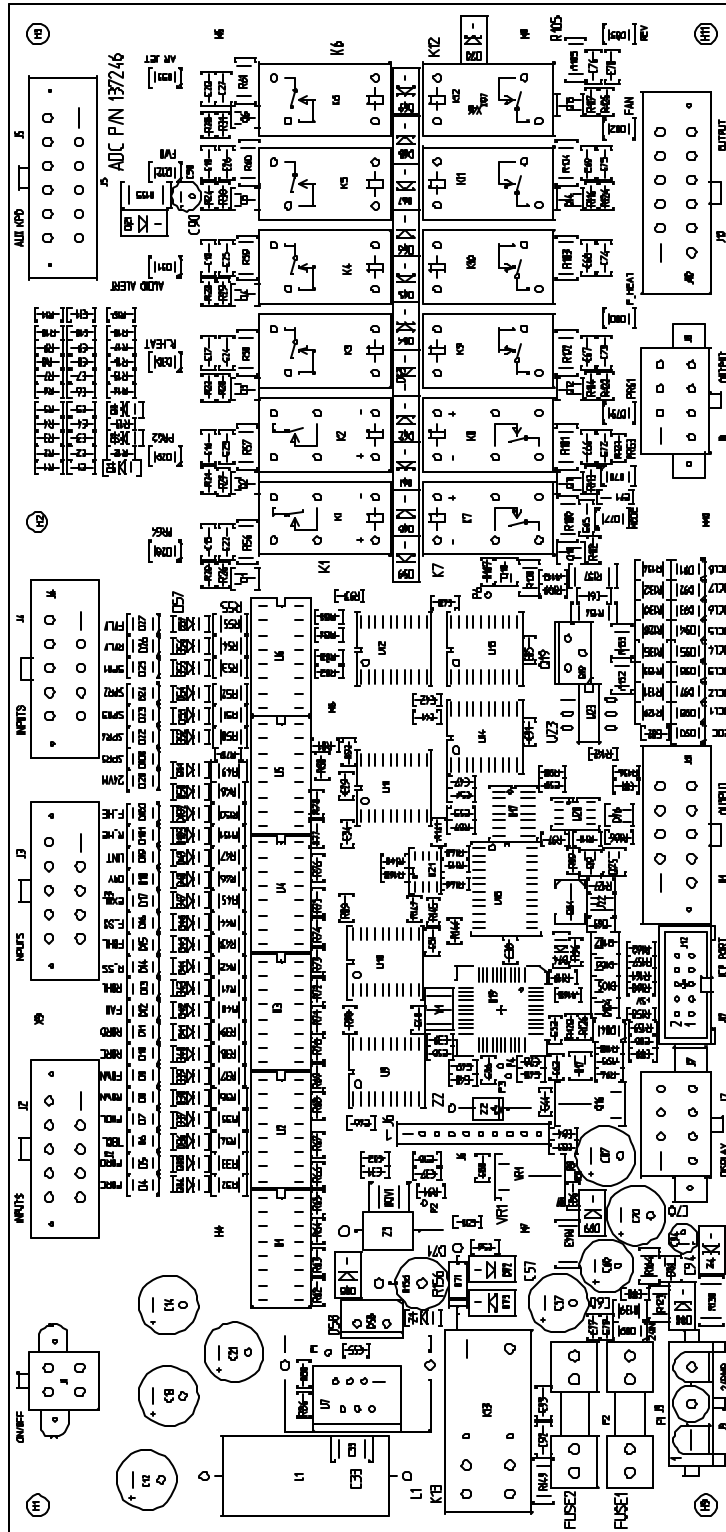
REAR BURNER IGNITION CONTROL FAULT - Rear ignition module is not working or failure to ignite.

ROTATION FAULT - Indicates the basket (tumbler) is not rotating.

BAD PROBE - Indicates the temperature probe is open or shorted.

LOW VOLTAGE FAULT - Indicates power has dropped below the operating values and will shut down.

B. I/O BOARD INPUT AND OUTPUT L.E.D. INDICATORS



MAN5584

DMG 01/16/01

INPUTS: (RED)

1. FDRC - Front Door Closed
2. FDRO - Front Door Open
3. TBOL - Basket (Tumbler) Overload
4. FNOL - Fan Overload
5. RDWN - Rear Down
6. FDWN - Front Down
7. RDRC - Rear Door Closed
8. RDRO - Rear Door Open
9. FAN - Blower Fan On
10. RBHL - Rear Burner High Limit
11. R_SS - Rear Sail Switch
12. FBHL - Front Burner High Limit
13. F_SS - Front Sail Switch
14. EXHL - Exhaust High Limit
15. DRY - Dry Enable Bit
16. LINT - Lint Drawer
17. R_HE - Rear Heat Enable
18. F_HE - Front Heat Enable
19. 24VIN - Control Voltage 24 Volts AC
20. SPR5 - Spare Input #5
21. SPR4 - Spare Input #4
22. SPR3 - Spare Input #3
23. SPR2 - Spare Input #2
24. SPR1 - Spare Input #1
25. RVLV - Rear Gas Valve
26. FVLV - Front Gas Valve
27. 24IN - Board 24 Volt AC
28. +5V - Regulated Voltage
29. Model - Communication

OUTPUTS: (GREEN)

1. R_HEAT - Rear Heat
2. AUDIO ALERT - Horn On
3. FWD - Basket (Tumbler) Forward
4. REV - Basket (Tumbler) Reverse
5. AIR JET - Air Jet On
6. FAN - Blower Fan On
7. F_HEAT - Front Heat
8. PRG1 - Programmable Output #1
9. PRG2 - Programmable Output #2
10. PRG3 - Programmable Output #3
11. PRG4 - Programmable Output #4
12. OCL1 - Open Collector Output #1
13. OCL2 - Open Collector Output #2
14. OCL3 - Open Collector Output #3
15. OCL4 - Open Collector Output #4
16. OCL5 - Open Collector Output #5
17. OCL6 - Open Collector Output #6
18. OCL7 - Open Collector Output #7
19. OCL8 - Open Collector Output #8
20. EOC - End Of Cycle Light

Input/Output (I/O) Board Input Description (“Red” light emitting diode [L.E.D.]

-
- | | | |
|----|---------------------|--|
| 1. | FDRC – (RED L.E.D.) | This L.E.D. will indicate the status of the Front Doors. If the doors are closed, then the L.E.D. is ON. |
| 2. | FDRO – (RED L.E.D.) | This L.E.D. will indicate the status of the Front Doors. If the doors are open, then the L.E.D. is ON. |
| 3. | TBOL – (RED L.E.D.) | This L.E.D. will indicate the status of the Basket (tumbler) Overload Contact. If the contact is closed, then the L.E.D. is ON. If it faults open, then the L.E.D. is OFF. |
| 4. | FNOL – (RED L.E.D.) | This L.E.D. will indicate the status of the Fan Overload Contact. If the contact is closed, then the L.E.D. is ON. If it faults open, then the L.E.D. is OFF. |
| 5. | RDWN – (RED L.E.D.) | This L.E.D. will indicate the status of the Rear Tilt. If the rear of the dryer is down, then the L.E.D. is ON (optional). |
| 6. | FDWN – (RED L.E.D.) | This L.E.D. will indicate the status of the Front Tilt. If the front of the dryer is down, then the L.E.D. is ON (optional). |
| 7. | RDRC – (RED L.E.D.) | This L.E.D. will indicate the status of the Rear Doors. If the doors are closed, then the L.E.D. is ON. |

8. RDRO – (RED L.E.D.) This L.E.D. will indicate the status of the Rear Doors. If the doors are open, then the L.E.D. is ON.
9. FAN – (RED L.E.D.) This L.E.D. will indicate the status of the Blower Fan. If the fan is on, then the L.E.D. is ON.
10. RBHL – (RED L.E.D.) This L.E.D. will indicate the status of the Rear Burner Hi-Limit Disk. If the disk is closed (Temperature below 330° F [166° C]), then the L.E.D. is ON.
11. R_SS – (RED L.E.D.) This L.E.D. will indicate the status of the Rear Sail Switch. If the switch is closed, then the L.E.D. is ON.
12. FBHL – (RED L.E.D.) This L.E.D. will indicate the status of the Front Burner Hi-Limit Disk. If the disk is closed (Temperature below 330° F [166° C]), then the L.E.D. is ON.
13. F_SS – (RED L.E.D.) This L.E.D. will indicate the status of the Front Sail Switch. If the switch is closed, then the L.E.D. is ON.
14. EXHL – (RED L.E.D.) This L.E.D. will indicate the status of the Exhaust Hi-Limit Disk. If the disk is closed (Temperature below 225° F [107° C]), then the L.E.D. is ON.
15. DRY – (RED L.E.D.) This L.E.D. will indicate the status of the Programmable Logic Controller (PLC). If the mechanical functions of the dryer have been set to the DRY position, the PLC will send a signal to the Phase 7 board. This signal will indicate that **ALL** the doors are closed and the dryer is level. When these conditions are met, then the L.E.D. is ON.
16. LINT – (RED L.E.D.) This L.E.D. will indicate the status of the Lint Drawer. If the drawer is closed, then the L.E.D. is ON.
17. R_HE Supply power for rear heat output (optional).
18. F_HE Supply power for front heat output.
19. 24VM – (RED L.E.D.) Control voltage at the spare inputs.
20. FVLV – (RED L.E.D.) This L.E.D. will indicate the status of the Front Gas Valve. If the Front Gas Valve is open (ON), then the L.E.D. is ON.
21. RVLV – (RED L.E.D.) This L.E.D. will indicate the status of the Rear Gas Valve. If the Rear Gas Valve is open (ON), then the L.E.D. is ON.
22. SPR1 – (RED L.E.D.) This is for a spare input to be used with programmable outputs.
23. SPR2 – (RED L.E.D.) This is for a spare input to be used with programmable outputs.
24. SPR3 – (RED L.E.D.) This is for a spare input to be used with programmable outputs.
25. SPR4 – (RED L.E.D.) This is for a spare input to be used with programmable outputs.
26. SPR5 – (RED L.E.D.) This is for a spare input to be used with programmable outputs.
27. +24 – (RED L.E.D.) This L.E.D. will indicate the board voltage that is protected by Fuse #2.
28. 24IN – (RED L.E.D.) This L.E.D. will indicate 24 VAC to the board.
29. MCR+ - (RED L.E.D.) This L.E.D. will indicate the status of the Control Voltage. If the Power On button is pressed (Green Button Light is On), then the L.E.D. is ON.

Input/Output (I/O) Board Output Description (“Green” light emitting diode [L.E.D.]

1. R_HEAT – (GREEN L.E.D.) This L.E.D. will indicate the status of the Rear Heat output. If the request to turn on the Rear Burner is made, then the L.E.D. is ON.
2. ALERT – (GREEN L.E.D.) This L.E.D. will indicate the status of the Horn output. If the request to turn on the Horn is made, then the L.E.D. is ON.
3. FWD – (GREEN L.E.D.) This L.E.D. will indicate the status of the Basket (tumbler) Forward direction output. If the request to tumble the drum in the Forward direction is made, then the L.E.D. is ON.
4. REV – (GREEN L.E.D.) This L.E.D. will indicate the status of the Basket (tumbler) Reverse direction output. If the request to tumble the drum in the Reverse direction is made, then the L.E.D. is ON.
5. AIR JET – (GREEN L.E.D.) This L.E.D. will indicate the status of the Air Jet output. If the request to turn on the Air Jet is made, then the L.E.D. is ON.
6. FAN – (GREEN L.E.D.) This L.E.D. will indicate the status of the Fan output. If the request to turn on the Fan (blower) is made, then the L.E.D. is ON.
7. F_HEAT – (GREEN L.E.D.) This L.E.D. will indicate the status of the Front Heat output. If the request to turn on the Front Burner is made, then the L.E.D. is ON.
8. PGR1 – (GREEN L.E.D.) This is for a spare output to be programmed.
9. PGR2 – (GREEN L.E.D.) This is for a spare output to be programmed.
10. PGR3 – (GREEN L.E.D.) This is for a spare output to be programmed.
11. PGR4 – (GREEN L.E.D.) This is for a spare output to be programmed.
12. OCL1 – (GREEN L.E.D.) This L.E.D. will indicate the status of the Open Collector #1 output. If the request to turn on the Open Collector #1 is made, then the L.E.D. is ON. (Programmable and Defaulted to Front Door Open.)
13. OCL2 – (GREEN L.E.D.) This L.E.D. will indicate the status of the Open Collector #2 output. If the request to turn on the Open Collector #2 is made, then the L.E.D. is ON. (Programmable and Defaulted to Front Door Closed.)
14. OCL3 – (GREEN L.E.D.) This L.E.D. will indicate the status of the Open Collector #3 output. If the request to turn on the Open Collector #3 is made, then the L.E.D. is ON. (Programmable and Defaulted to Lint Drawer.)
15. OCL4 – (GREEN L.E.D.) This L.E.D. will indicate the status of the Open Collector #4 output. If the request to turn on the Open Collector #4 is made, then the L.E.D. is ON. (Programmable and Defaulted to Front Down.)

16. OCL5 – (GREEN L.E.D.) This L.E.D. will indicate the status of the Open Collector #5 output. If the request to turn on the Open Collector #5 is made, then the L.E.D. is ON. (Programmable and Defaulted to Rear Down.)
17. OCL6 – (GREEN L.E.D.) This L.E.D. will indicate the status of the Open Collector #6 output. If the request to turn on the Open Collector #6 is made, then the L.E.D. is ON. (Programmable and Defaulted to Rear Door Open.)
18. OCL7 – (GREEN L.E.D.) This L.E.D. will indicate the status of the Open Collector #7 output. If the request to turn on the Open Collector #7 is made, then the L.E.D. is ON. (Programmable and Defaulted to Rear Door Closed.)
19. OCL8 – (GREEN L.E.D.) This L.E.D. will indicate the status of the Open Collector #8 output. If the request to turn on the Open Collector #8 is made, then the L.E.D. is ON. (Programmable and Defaulted to Spare.)
20. EOC – (GREEN L.E.D.) This L.E.D. will indicate the status of the End Of Cycle light output. If the request to turn on the End Of Cycle light is made, then the L.E.D. is ON.

SECTION XII

TROUBLESHOOTING

IMPORTANT: YOU MUST DISCONNECT AND LOCKOUT THE ELECTRIC SUPPLY AND THE GAS SUPPLY OR THE STEAM SUPPLY BEFORE ANY COVERS OR GUARDS ARE REMOVED FROM THE MACHINE TO ALLOW ACCESS FOR CLEANING, ADJUSTING, INSTALLATION, OR TESTING OF ANY EQUIPMENT PER OSHA (Occupational Safety and Health Administration) STANDARDS.

The information provided will help isolate the most probable components associated with the difficulty described. The experienced technician realizes, however, that a loose connection or broken/shorted wire may be at fault where electrical components are concerned...not necessarily the suspect component itself. Electrical parts **should always be** checked for failure before being returned to the factory.

IMPORTANT: When replacing blown fuses, the replacement *must be* of the exact rating as the fuse being replaced. The information provided *should not be* misconstrued as a handbook for use by an untrained person in making repairs.

WARNING: ALL SERVICE AND TROUBLESHOOTING **SHOULD BE** PERFORMED BY A QUALIFIED PROFESSIONAL OR SERVICE AGENCY.

WARNING: WHILE MAKING REPAIRS, OBSERVE ALL SAFETY PRECAUTIONS DISPLAYED ON THE DRYER OR SPECIFIED IN THIS MANUAL.

A. No Display...

1. "EMERGENCY STOP" (E-Stop) button pushed in.
2. Service panel fuses blown or tripped breaker.
3. Blown F2 (fuse 2) on microprocessor controller (computer) input/output (I/O) board.
4. Blown CB7 (circuit breaker) on right hand control panel.
5. Failed display board.
6. Failed communication cable.
7. Failed microprocessor controller (computer) I/O board.
8. Optional sprinkler circuit emergency relay is not engaged...
 - a. Service panel fuse blown or tripped breaker.
 - b. Sprinkler circuit hi-limit has tripped.

NOTE: SPRINKLER *MUST HAVE* POWER FOR THE DRYER TO OPERATE.

B. Drive motor is not operating (does not start)...

* **Microprocessor controller (computer) relay output indicator (either forward “FWD” or reverse “REV”) is on.**

1. Blown drive motor contactor overloads.
2. Failed drive motor contactor.
3. Failed drive motor.
4. No 24 VAC present at drive motor contactor coil.

* **Microprocessor controller (computer) relay output indicator (neither forward “FWD” nor reverse “REV”) is on.**

1. Failed microprocessor controller (computer) input/output (I/O) board.

C. Drive motor operates in one (1) direction ONLY...stops and restarts in the same direction...

* **Appropriate microprocessor controller (computer) relay output indicator is on.**

1. Failed reversing contactor (relay).
2. Failed electrical reversing contactor interlock.

* **Appropriate microprocessor controller (computer) relay output indicator is off.**

1. Failed microprocessor controller (computer) I/O board.

D. Drive motor operates okay for a few minutes and then either repeatedly or occasionally trips the overload protector...

NOTE: When the overload protector trips, the microprocessor controller (computer) I/O board, “red” light emitting diode (L.E.D.) “TBOL” **will be** off and the display will read “Tumbler Overload Fault.”

1. Motor is overheating...
 - a. Motor air vents clogged with lint.
 - b. Low voltage to motor.
 - c. Failed motor.
 - d. Basket (tumbler) is binding...check for an obstruction.
 - e. Basket (tumbler) bearings are binding.

- f. V-belts are too tight.
 - g. Dryer has an oversized load.
 - h. Voltage to the dryer is incorrect...check dryer data label for specified voltage.
2. Failed overload protector...
 - a. Incorrect overload setting.

E. Impellor (fan) motor is not operating (does not start)...

* **Microprocessor controller (computer) input/output (I/O) board “FAN” relay output indicator is on.**

1. Blown blower (fan and impellor) motor overloads.
2. Failed blower (fan and impellor) motor contactor (relay).
3. Failed blower (fan and impellor) motor.
4. No 24 VAC present at fan motor contactor coil.

* **Microprocessor controller (computer) I/O board “FAN” relay output indicator is off.**

1. Failed microprocessor controller (computer) I/O board.

F. Blower (fan and impellor) motor operates okay for a few minutes and then either repeatedly or occasionally trips the overload protector...

NOTE: When the overload protector trips, the microprocessor controller (computer) I/O board “red” light emitting diode (L.E.D.) “FNOL” **will be** off and the display will read “Fan Overload Fault.”

1. Motor is overheating...
 - a. Motor air vents clogged with lint.
 - b. Low voltage to motor.
 - c. Failed motor.
 - d. Basket (tumbler) is binding...check for an obstruction.
 - e. Failed gear reducer or basket (tumbler) bearing.
 - f. V-belts are too tight.
 - g. Motor is running at incorrect voltage.

2. Failed overload protector...
 - a. Incorrect overload setting.
3. Blown drive motor and blower (fan and impellor) motor fuses or overloads.
4. Failed motors (both blower [fan and impellor] motor and drive motor).
5. Failed microprocessor controller (computer).

G. Microprocessor controller (computer) display board light emitting diode (L.E.D.) display reads “BAD PROBE” continuously and the buzzer (tone) sounds every 30-seconds...

1. Fault in microprocessor heating sensing circuit...
 - a. Failed microprocessor temperature sensor.
 - b. Failed microprocessor controller (computer) display board.
 - c. Broken wire or connection between the microprocessor controller (computer) and the microprocessor temperature sensor.

H. Microprocessor controller (computer) L.E.D. display reads “DRY ENABLE” fault...

1. Front or rear doors open.
2. Dryer is not in level position.
3. Broken connection between level switches.
4. Level switches need to be adjusted.
5. Input from Programmable Logic Controller (PLC) is not present...
 - a. TSX07 does not have supply power.
 - b. Failed TSX07 PLC.
6. Failed microprocessor controller (computer) input/output (I/O) board.

I. Microprocessor controller (computer) I/O board display reads “FRONT DOORS NOT CLOSED” or “REAR DOORS NOT CLOSED.”

1. Fault (open circuit) in front or rear switch circuit door.
2. One (1) of the front or rear door switches has failed.
3. One (1) of the front or rear door switch contact magnets is either missing or is broken.
4. Broken wire or connection in front door.

5. Front or rear doors are opened during cycle.
 6. Failed microprocessor controller (computer) input/output (I/O) board.
- J. Microprocessor controller (computer) light emitting diode (L.E.D.) displays “Lint Drawer Open.”**
1. Lint drawer is not closed **ALL** the way.
 2. Lint drawer switch is out of proper adjustment.
 3. Failed lint drawer switch.
 4. Failed microprocessor controller (computer) I/O board.
- K. Microprocessor controller (computer) will not accept any keyboard (touch pad) entries, (i.e., L.E.D. display reads “READY” and when keyboard [touch pad] entries are selected, the L.E.D. display continues to read “READY”)...**
1. Failed keyboard (touch pad) label assembly.
 2. Failed microprocessor controller (computer) display board.
- L. Microprocessor controller (computer) will ONLY accept certain keyboard (touch pad) entries...**
1. Failed keyboard (touch pad) label assembly.
 2. Failed microprocessor controller (computer) display board.
- M. Microprocessor controller (computer) locks up and the display reads erroneous messages or ONLY partial segments...**
1. Transient power voltage spikes...disconnect the electrical power to the dryer, wait 1 minute and reestablish power to the dryer. If problem is still evident...
 - a. Failed microprocessor controller (computer).
 - b. Failed keyboard (touch pad) label assembly.
- N. Dryer stops during a cycle, microprocessor controller (computer) buzzer (tone) sounds for a few seconds, and then microprocessor controller (computer) returns to “READY”...**
1. Loose connection somewhere in the main power circuit to the microprocessor controller (computer).
- O. Microprocessor controller (computer) display reads “Rotation Fault”...**
1. Rotational sensor circuit failure...fault somewhere in the basket (tumbler) rotation or circuit...
 - a. Basket (tumbler) is not rotating...
 - 1) Broken basket (tumbler) drive belts.

- 2) Failure in drive motor circuit.
- b. Faulty rotation sensor.
- c. Broken wire or connection between rotation sensor and microprocessor controller (computer) display board.
- d. Failure in rotational sensor circuit, magnet missing, or gap too large.
- e. Basket (tumbler) rotation below 12 RPMS.

P. Microprocessor controller (computer) reads “Exhaust High Temp Fault”...

- 1. Possible overheating condition...microprocessor controller (computer) display board has sensed a temperature, which has exceeded 225° F (107° C).

Exhaust High Temp Fault will display until the stop key has been passed. A cycle **cannot** be started until the temperature is below 220° F (104° C).

Q. Dryer operates but is taking too long to dry...

- 1. Exhaust ductwork run is too long or is undersized...back pressure **cannot** exceed 0.3 inches (0.74 mb) water column (W.C.).
- 2. Restriction in ductwork...check duct from the dryer **ALL** the way to the outdoors.
- 3. Low or inconsistent gas pressure (**for gas models only**).
- 4. Insufficient make-up air.
- 5. Poor air and gas mixture at burner - yellow or poor flame pattern...adjust gas burner air adjustment shutters (**for gas models only**).
- 6. Lint drawer or screen is not being cleaned on a regular basis or often enough.
- 7. Extractors (washers) are not performing properly.
- 8. Sail switch is fluttering...restriction in exhaust (**for gas models only**).
- 9. Failed microprocessor controller (computer)...temperature calibration is inaccurate.
- 10. Failed microprocessor temperature sensor...calibration is inaccurate.
- 11. Failed burner hi-limit (**for gas models only**).
- 12. Failed 225° F (107° C) manual reset hi-limit (thermostat).
- 13. Steam damper system is not functioning properly (**for steam models only**)...
 - a. Steam damper sticking closed.
 - b. Leak in pneumatic system.

14. Undersized load, dryer requires a minimum load size of approximately 125 lbs. (57 kg.) for maximum drying efficiency.

R. Excessive noise and vibration...

1. Dryer is not leveled properly.
2. Impellor (fan/blower) out of balance...
 - a. Excessive lint buildup on impellor (fan/blower)...check air jet.
 - b. Failed impellor (fan/blower).
3. Loose motor mount.
4. Failed idler bearings or basket (tumbler) bearings.
5. V-belt(s) either too tight or too loose.
6. Basket (tumbler) drive wheels are worn or are loose.
7. Setscrews of basket (tumbler) drive shaft bearings are loose.
8. Failed motor bearing.
9. Drive wheel is loose.
10. Failed drive wheel.

S. Dryer will not tilt...

*** Tilt to load.**

1. Correct door signals are not present...
 - a. Door open to tilt up.
 - b. Door closed to tilt level.
2. Defective proximity switch.
3. No (external) compressed air to pneumatic switches...80 PSI (5.51 bars) required (11 cfh [0.31 cmh]).
4. Lint drawer is open.

* **Tilt to unload.**

1. Correct door signals are not present...
 - a. Door open to tilt down.
 - b. Door closed to tilt level.
2. Defective proximity switch.
3. No (external) compressed air to pneumatic switches...80 PSI (5.51 bars) required (11 cfh [0.31 cmh]).
4. Lint drawer is open.

SECTION XIII

OPTIONAL SPRINKLER SYSTEM COMPONENTS

OPTIONAL SPRINKLER CIRCUIT COMPONENTS

AUTO “EMERGENCY STOP” (E-Stop) RELAY

This device, located in the front right electrical enclosure, supplies the main control voltage to the dryer.

The dryer’s sprinkler circuit supplies or removes 120 VAC to the coil of this relay for the “EMERGENCY STOP” (E-Stop) power disconnect control.

TEMPERATURE CONTROLLER

This device is located in the front left electrical enclosure and monitors the sprinkler circuit temperature. Its operating functions are preset at the factory and **should not** require any adjustment.

RESISTIVE TEMPERATURE DEVICE (RTD) TEMPERATURE PROBE

This device is a high temperature 100 ohm (100 W) RTD probe and is located on the upper left side of the basket (tumbler).

PNEUMATIC VALVE

This is a dual pneumatic 110 VAC control valve and is located in the lower rear base section of the dryer. Power to turn “ON” the pneumatic valve is supplied from the sprinkler control circuit. Power to turn “OFF” the sprinkler is supplied from a manual reset button located on the right front control door.

SPRINKLER VALVE

This valve controls the flow of the sprinkler water. It is air actuated and requires air pressure to turn “ON” or “OFF.”

NOTE THAT THERE IS A “RED” INDICATING PISTON AT THE REAR OF THIS SPRINKLER VALVE.

The piston indicates the current state of the valve; when the piston is “IN” the valve is “CLOSED,” when the piston is “OUT” the valve is “OPEN.”

ALARM HORN

This component is an audible device to indicate that the sprinkler system has tripped and that water is flowing into the basket (tumbler). The alarm horn will reset when the sprinkler system is reset.

SPRINKLER RESET BUTTON

This amber colored push button is located on the right hand control door and illuminates when the sprinkler system is activated. Attempting to reset the sprinkler system with this button can be tried, however, if the sprinkler circuit continues to be in the active mode the reset function will not latch.

SPRINKLER AND MAIN POWER CONNECTIONS

There are two (2) individual power connections to the dryer that includes the sprinkler system option.

1. Main dryer power (3-phase [3 ϕ]).
2. Dedicated sprinkler system circuit power (single-phase [1 ϕ]).

Both of these connections are at the voltage rating of the dryer and can be installed in the front right base electrical enclosure. The larger connection is for main electrical power and the smaller connections, located to the right of the larger connection is for the dedicated sprinkler system circuit power.

Refer to the dryer nameplate for voltage rating information.

SPRINKLER THEORY OF OPERATION

1. Power sprinkler system circuit.
2. “**TURN TO RELEASE**” ALL “EMERGENCY STOP” (E-Stop) buttons.
3. Run dryer.

If the temperature of the basket (tumbler) should rise above the sprinkler controller’s preset value the sprinkler system will activate and the following will occur:

- An “AUTOMATIC ‘EMERGENCY STOP’” (E-Stop) will stop the dryer.
- The alarm horn will sound.
- The amber sprinkler system reset button will light.
- The sprinkler system will spray water into the basket (tumbler).
- The water will flow and the alarm horn will sound until;

The temperature of the basket (tumbler) falls below sprinkler controller’s preset value and the sprinkler system reset button is pressed.

NOTE: THE SPRINKLER SYSTEM DOES NOT AUTOMATICALLY RESET.

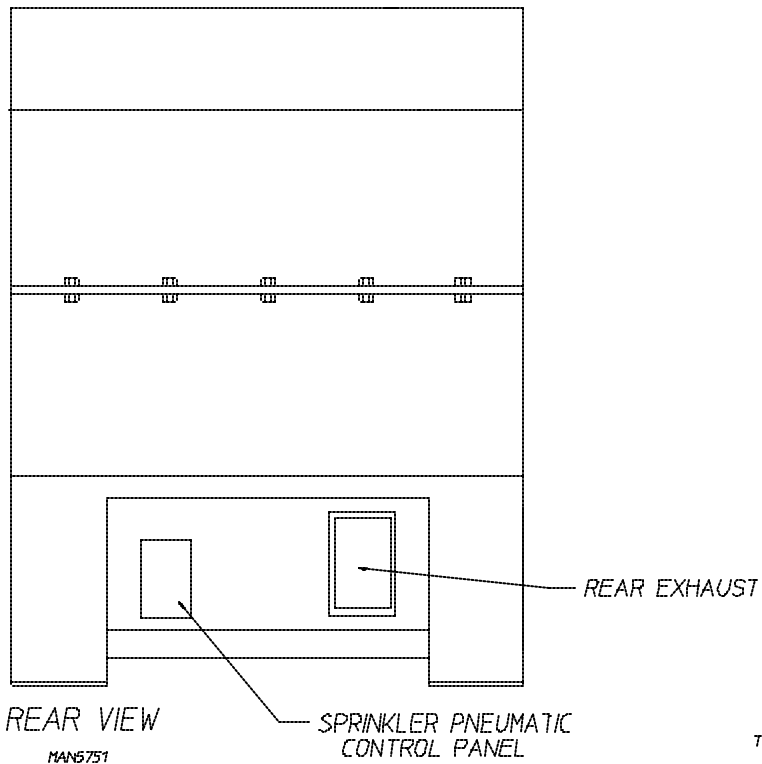
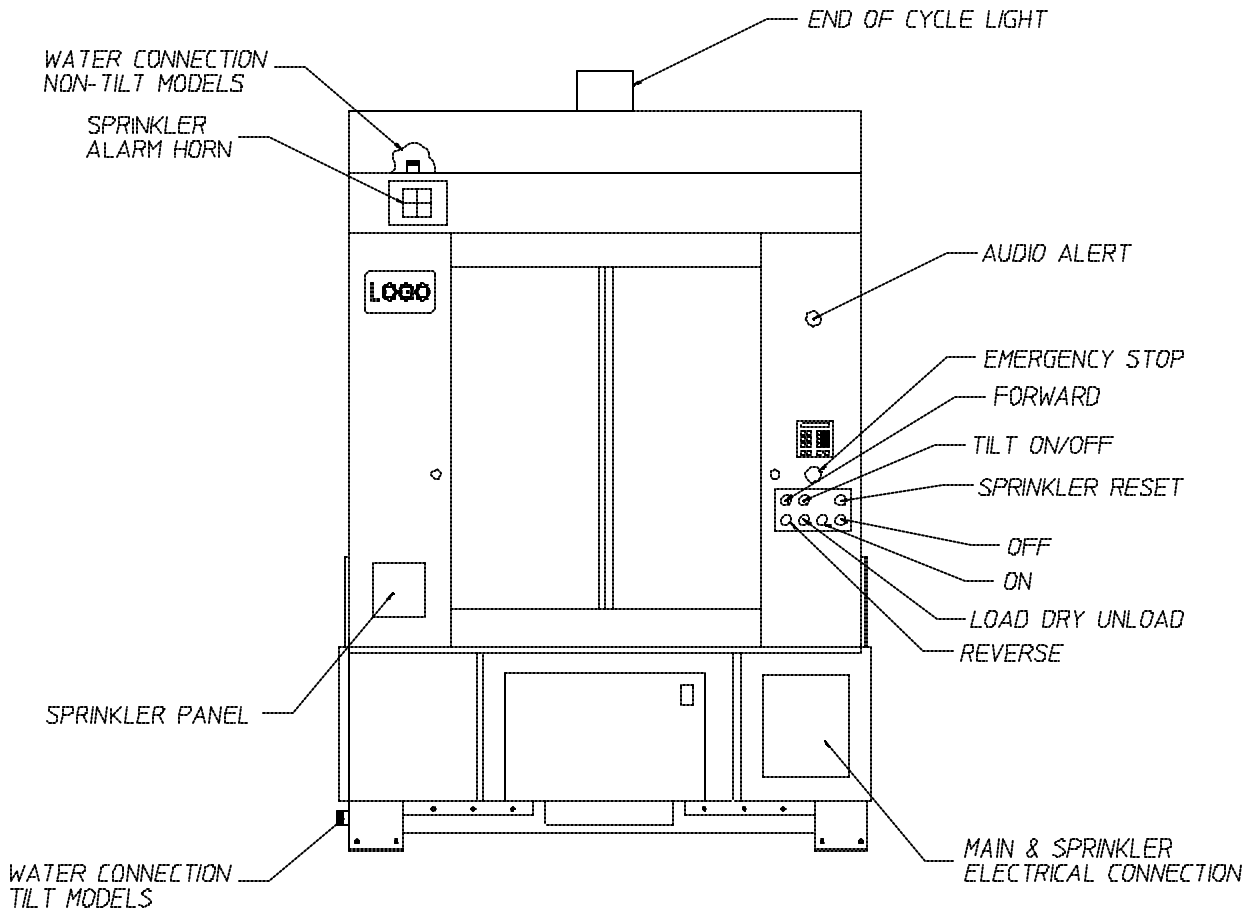
Sprinkler Option Temperature Controller Settings

NOTE: Refer to Controller's User's Manual for further information on controller options.

Message Display	Message Description	Settings
SECr	SECURITY CODE	FULL SECURITY - SET TO 110 (DISPLAYED AS 1) "VIEW ONLY" NO SECURITY - SET TO 111 (DISPLAYED AS 4) "ALL FEATURES UNLOCKED"
InP	INPUT DEVICE	P 385 = RTD INPUT
F-C	° F OR ° C	SELECT TYPE REQUIRED (FAHRENHEIT OR CELSIUS)
dPt	DECIMAL POINT	0, NO DECIMAL POINT
InPt	INPUT FAULT TIMER	0.2
SPL	SET POINT LOW	500 (SETTING <i>CANNOT BE</i> LOWER)
SPH	SET POINT HIGH	700 (SETTING <i>CANNOT BE</i> HIGHER)
SPSt	SET POINT STATE	rE (REVERSE ACTION)
SPLP	SET POINT LAMP	0 oFF (LAMP OFF WHEN OUTPUT IS ON)
AL	HIGH ALARM ONLY	Hi
ALt	ALARM TYPE	Abs (ABSOLUTE ALARM)
ALrE	ALARM RESET	OnOF (AUTOMATIC RESET)
ALPi	ALARM POWER INTERRUPT	OFF (ALARM INHIBIT IS OFF)
ALiH	ALARM INHIBIT	OFF (ALARM INHIBIT IS OFF)
ALSt	ALARM OUTPUT STATE	CLOS (CLOSES CONTACTS AT ALARM SET POINT)
ALLP	ALARM LAMP	0 ON (ALARM LAMP IS ON WHEN ALARM CONTACT IS CLOSED)
ALHi	ALARM HI	575° F OR 301.6° C (NOTE: ADJUST SAME AS SP)
Cy	CYCLE RATE	OnOF
SP_d	SET POINT ON-OFF DIFFERENTIAL	-1
rt	RAMP TIME	OFF
InPC	INPUT CORRECTION	0
FiLt	DIGITAL FILTER	2
SP	TEMPERATURE SET POINT	575° F OR 301.6° C

Note: When message display (Cy) set to OnOF.
 SPOL (SET POINT OUTPUT LOW LIMIT) not in use.
 SPOH (SET POINT OUTPUT HIGH LIMIT) not in use.
 Are not displayed.

PHASE 7 SPRINKLER LOCATIONS



TCOSTA 04/13/01

