

ADG-170DR / MLG-170DR Installation Manual

Phase 7 / Non-Coin / DSI / Dual Timer / Fire Suppression System

WARNING: For your safety the information in this manual must be followed to minimize the risk of fire or explosion and to prevent property damage, personal injury or death.

— Do not store or use gasoline or other flammable vapors and liquids in the vicinity of this or any other appliance.

— WHAT TO DO IF YOU SMELL GAS:

- Do not try to light any appliance.
- Do not touch any electrical switch; do not use any phone in your building.
- Clear the room, building or area of all occupants.
- Immediately call your gas supplier from a neighbor's phone. Follow the gas supplier's instructions.
- If you cannot reach your gas supplier, call the fire department.

— Installation and service must be performed by a qualified installer, service agency or the gas supplier.

AVERTISSEMENT: Assurez-vous de bien suivre les instructions données dans cette notice pour réduire au minimum le risque d'incendie ou d'explosion ou pour éviter tout dommage matériel, toute blessure ou la mort.

— Ne pas entreposer ni utiliser d'essence ni d'autres vapeurs ou liquides inflammables à proximité de cet appareil ou de tout autre appareil.

— QUE FAIRE SI VOUS SENTEZ UNE ODEUR DE GAZ:

- Ne pas tenter d'allumer d'appareils.
- Ne touchez à aucun interrupteur. Ne pas vous servir des téléphones se trouvant dans le bâtiment.
- Évacuez la pièce, le bâtiment ou la zone.
- Appelez immédiatement votre fournisseur de gaz depuis un voisin. Suivez les instructions du fournisseur.
- Si vous ne pouvez rejoindre le fournisseur de gaz, appelez le service des incendies.

— L'installation et l'entretien doivent être assurés par un installateur ou un service d'entretien qualifié ou par le fournisseur de gaz.



American Dryer Corporation

88 Carrant Road
Fall River MA 02720-4781 USA
Telephone: +1 (508) 678-9000 / Fax: +1 (508) 678-9447
e-mail: techsupport@amdry.com

www.adclaundry.com

ADC Part No. 113409-8

Retain This Manual in a Safe Place for Future Reference

This product embodies advanced concepts in engineering, design, and safety. If this product is properly maintained, it will provide many years of safe, efficient, and trouble free operation.

Only qualified technicians should service this equipment.

OBSERVE ALL SAFETY PRECAUTIONS displayed on the equipment or specified in the installation manual included with the dryer.

The following “**FOR YOUR SAFETY**” caution must be posted near the dryer in a prominent location.

FOR YOUR SAFETY

Do not store or use gasoline or other flammable vapors and liquids in the vicinity of this or any other appliance.

POUR VOTRE SÉCURITÉ

Ne pas entreposer ni utiliser d'essence ni d'autres vapeurs ou liquides inflammables à proximité de cet appareil ou de tout autre appareil.

We have tried to make this manual as complete as possible and hope you will find it useful. The manufacturer reserves the right to make changes from time to time, without notice or obligation, in prices, specifications, colors, and material, and to change or discontinue models. The illustrations included in this manual may not depict your particular dryer exactly.

IMPORTANT

For your convenience, log the following information:

DATE OF PURCHASE _____ MODEL NO. _____

RESELLER'S NAME _____

Serial Number(s) _____

Replacement parts can be obtained from your reseller or the ADC factory. When ordering replacement parts from the factory, you can FAX your order to ADC at +1 (508) 678-9447 or telephone your order directly to the ADC Parts Department at +1 (508) 678-9000. Please specify the dryer model number and serial number in addition to the description and part number, so that your order is processed accurately and promptly.

These instructions are only valid if the following country code is on the appliance... If this code is not present on the appliance, it is necessary to refer to the technical instructions which will provide the necessary information concerning the modification of the appliance to the condition of use for the country.

In accordance with EN ISO 3166-1, the names of countries shall be represented by the following codes:

GB United Kingdom
IE Ireland

“IMPORTANT NOTE TO PURCHASER”

Information must be obtained from your local gas supplier on the instructions to be followed if the user smells gas. These instructions must be posted in a prominent location near the dryer.

⚠ WARNING

Proposition 65

Use of this product could expose you to substances from fuel combustion that contain chemicals known to the State of California to cause cancer, birth defects and other reproductive harm.

IMPORTANT

You must disconnect and lockout the electric supply and the gas supply or the steam supply before any covers or guards are removed from the machine to allow access for cleaning, adjusting, installation, or testing of any equipment per Occupational Safety and Health Administration (OSHA) standards.

Please observe all safety precautions displayed on the equipment and/or specified in the installation manual included with the dryer.

CAUTION

The dryer(s) should never be left unattended while in operation.

“Caution: Label all wires prior to disconnection when servicing controls. Wiring errors can cause improper operation.”

«Attention: Au moment de l'entretien des commandes, étiquetez tous les fils avant de les débrancher. Des erreurs de câblage peuvent entraîner un fonctionnement inadéquat et dangereux.»

WARNING

Children should not be allowed to play on or near the dryer(s). Children should be supervised if near dryer(s) in operation.

Under no circumstances should the dryer door switch(es), lint door/drawer switch(es), or heat safety circuit(s) ever be disabled.

Do not modify this appliance.

The dryer must never be operated with any of the back guards, outer tops, or service panels removed. Personal injury or fire could result.

The dryer must never be operated without the lint filter/screen in place, even if an external lint collection system is used.

If the hi-limit switch trips, a service call is required to investigate the reason and resolve the issue.

FOR YOUR SAFETY

Do not dry mop heads in the dryer. Do not use dryer in the presence of dry cleaning fumes.

The dryers must not be installed or stored in an area where it will be exposed to water and/or weather.

The wiring diagram for the dryer is located in the front electrical control box area.

In the State of Massachusetts, the following installation instructions apply:

- Installations and repairs must be performed by a qualified or licensed contractor, plumber, or gasfitter qualified or licensed by the State of Massachusetts.
- If using a ball valve, it shall be a T-handle type.
- A flexible gas connector, when used, must not exceed 3 feet.

Table of Contents

SECTION I	
SAFETY PRECAUTIONS	4
SECTION II	
SPECIFICATIONS	6
SECTION III	
INSTALLATION PROCEDURES	8
A. Location Requirements	8
B. Unpacking / Setting Up	9
C. Dryer Enclosure Requirements	11
D. Fresh Air Supply Requirements	12
E. Exhaust Requirements	13
F. Electrical Information	19
G. Gas Information	22
H. Water Information	25
I. Preparation For Operation / Start-up	26
J. Preoperational Test	27
K. Preoperational Instructions	28
L. Compressed Air Requirements	30
M. Shutdown Instructions	30
SECTION IV	
SERVICE / PARTS INFORMATION	31
A. Service	31
B. Parts	31
SECTION V	
WARRANTY INFORMATION	32
A. Returning Warranty Cards	32
B. Warranty	32
C. Returning Warranty Parts	32
SECTION VI	
ROUTINE MAINTENANCE	34
A. Cleaning	34
B. Adjustments	35
C. Lubrication	35
SECTION VII	
MANUAL RESET BURNER HI-LIMIT INSTRUCTIONS	36
A. Phase 7	36
B. Dual Timer	36
SECTION VIII	
DATA LABEL INFORMATION	37
SECTION IX	
PROCEDURE FOR FUNCTIONAL CHECK OF REPLACEMENT COMPONENTS	38
SECTION X	
PROGRAMMING	40

SECTION I

SAFETY PRECAUTIONS

WARNING: For your safety, the information in this manual *must be* followed to minimize the risk of fire or explosion or to prevent property damage, personal injury, or loss of life.

WARNING: The dryer *must never be* operated with any of the back guards, outer tops, or service panels removed. **PERSONAL INJURY OR FIRE COULD RESULT.**

1. **DO NOT** store or use gasoline or other flammable vapors and liquids in the vicinity of this or any other appliance.
2. **DO NOT** spray aerosols in the vicinity of this appliance while it is in operation.
3. Purchaser/user should consult the local gas supplier for proper instructions to be followed in the event the user smells gas. The instructions **should be** posted in a prominent location.
4. WHAT TO DO IF YOU SMELL GAS:
 - a. **DO NOT** try to light any appliance.
 - b. **DO NOT** touch any electrical switch.
 - c. **DO NOT** use any phone in your building.
 - d. Clear the room, building, or area of **ALL** occupants.
 - e. Immediately call your gas supplier from a neighbor's phone. Follow the gas supplier's instructions.
 - f. If you **cannot** reach your gas supplier, call the fire department.
5. Installation and service **must be** performed by a qualified installer, service agency, or gas supplier.
6. The dryer(s) **must be** exhausted to the outdoors.
7. Although ADC produces a very versatile dryer, there are some articles that, due to fabric composition or cleaning method, **should not be** dried in it.

WARNING: Dry only water washed fabrics. **DO NOT** dry articles spotted or washed in dry cleaning solvents, a combustible detergent, industrial chemicals, or "all purpose" cleaner. **EXPLOSION COULD RESULT.**

WARNING: **DO NOT** dry rags or articles coated or contaminated with gasoline, kerosene, oil, paint, or wax. **EXPLOSION COULD RESULT.**

WARNING: **DO NOT** dry mop heads. Contamination by wax or flammable solvents will create a fire hazard.

WARNING: **DO NOT** use heat for drying articles that contain plastic, foam, sponge rubber, or similarly textured rubberlike materials. Drying in a heated tumbler may damage plastics or rubber and may be a fire hazard.

8. The possible presence of residual quantities of aggressive or decomposed chemicals in the load may produce damage to the machine and harmful fumes.
9. A program **should be** established for the inspection and cleaning of lint in the burner area, exhaust ductwork, and area around the back of the dryer. The frequency of inspection and cleaning can best be determined from experience at each location.

WARNING: The collection of lint in the burner area and exhaust ductwork can create a potential fire hazard.

10. For personal safety, the dryer **must be** electrically grounded in accordance with local codes and/or the National Electrical Code ANSI/NFPA NO. 70-LATEST EDITION, or in Canada, the Canadian Electrical Codes Parts 1 & 2 CSA C22.1-1990 or LATEST EDITION.

NOTE: Failure to do so will VOID THE WARRANTY.

11. **UNDER NO CIRCUMSTANCES** should the dryer door switches, the lint drawer switch, or the heat safety circuit ever be disabled.

WARNING: PERSONAL INJURY OR FIRE COULD RESULT.

12. This dryer is not to be used in the presence of dry cleaning solvents or fumes.
13. Remove articles from the dryer as soon as the drying cycle has been completed.

WARNING: Articles left in the dryer after the drying and cooling cycles have been completed can create a fire hazard.

14. **READ AND FOLLOW ALL CAUTION AND DIRECTION LABELS ATTACHED TO THE DRYER.**
15. For safety, proper operation, and optimum performance, the dryer **must not be** operated with a load less than sixty-six percent (66%), 112 pounds (51 kg) of its rated capacity.

WARNING: YOU MUST DISCONNECT AND LOCKOUT THE ELECTRIC SUPPLY AND THE GAS SUPPLY OR THE STEAM SUPPLY BEFORE ANY COVERS OR GUARDS ARE REMOVED FROM THE MACHINE TO ALLOW ACCESS FOR CLEANING, ADJUSTING, INSTALLATION, OR TESTING OF ANY EQUIPMENT PER OCCUPATIONAL SAFETY AND HEALTH ADMINISTRATION (OSHA) STANDARDS.

IMPORTANT: The dryer *must be* installed in a location/environment, which the ambient temperature remains between 40° F (4.44° C) and 130° F (54.44° C).

WARNING: Disconnect power before resetting the hi-limit. The hi-limit is located on the left side of the burner box, looking at the box from the back of the dryer. Press and release and the hi-limit will reset.

CE ONLY

IMPORTANT: This appliance must only be installed and operated in the country of destination indicated on the dryer's data plate. If the appliance is to be installed and operated in a country other than the one indicated on the data plate, a data plate amendment must be obtained from **American Dryer Corporation**.

IEC335 applies.

SECTION II

SPECIFICATIONS

MAXIMUM CAPACITY (DRY WEIGHT)		170 lb	77.11 kg	
TUMBLER DIAMETER		51-1/2"	130.81 cm	
TUMBLER DEPTH		42-3/4"	108.59 cm	
TUMBLER VOLUME		51.5 cu ft	1449.823 L	
TUMBLER / DRIVE MOTOR		1 hp	0.75 kW	
BLOWER / FAN MOTOR		7-1/2 hp	5.59 kW	
DOOR OPENING (DIAMETER)		31-3/8"	79.71 cm	
DOOR SILL HEIGHT		36-1/2"	92.71 cm	
WATER CONNECTION		3/4"-11.5 NH (North America) 3/4" B.S.P.T. (Outside North America)		
DRYERS PER 20'/40' CONTAINER		3 / 7		
DRYERS PER 48'/53' TRUCK		8 / 8		
GAS	VOLTAGE AVAILABLE		208-575v 3 ϕ 3,4w 50/60 Hz	
	APPROX. NET WEIGHT		1,848 lb 838.24 kg	
	APPROX. SHIPPING WEIGHT		2,014 lb 913.54 kg	
	AIRFLOW		2,503 cfm 70.87 cmm	
	HEAT INPUT		395,000 Btu/hr 99,538 kcal/hr	
	EXHAUST CONNECTION (DIAMETER)		12"	30.48 cm
	COMPRESSED AIR CONNECTION		1/4" Quick Connection	
	COMPRESSED AIR VOLUME		4.25 cfh	0.12 cmh
	INLET PIPE CONNECTION		1" M.N.P.T. (North America) 1-1/2" F.B.S.P.T. (Outside North America)	
ELECTRIC	VOLTAGE AVAILABLE		N / A	
	APPROX. NET WEIGHT			
	APPROX. SHIPPING WEIGHT			
	AIRFLOW			
	EXHAUST CONNECTION (DIAMETER)			
	COMPRESSED AIR CONNECTION			
	COMPRESSED AIR VOLUME			
	OVEN SIZE			
	kW	Btu/hr		kcal/hr
STEAM	VOLTAGE AVAILABLE		N / A	
	APPROX. NET WEIGHT			
	APPROX. SHIPPING WEIGHT			
	AIRFLOW			
	STEAM CONSUMPTION			
	OPERATING STEAM PRESSURE			
	EXHAUST CONNECTION (DIAMETER)			
	COMPRESSED AIR CONNECTION			
	COMPRESSED AIR VOLUME			
	BOILER HP (NORMAL LOAD)			
	SUPPLY CONNECTION			
	RETURN CONNECTION			

Shaded areas are stated in metric equivalents

7/29/14

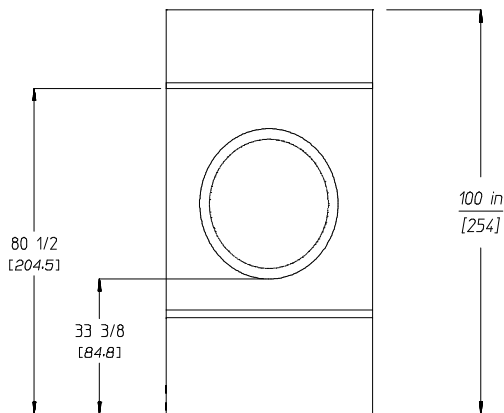
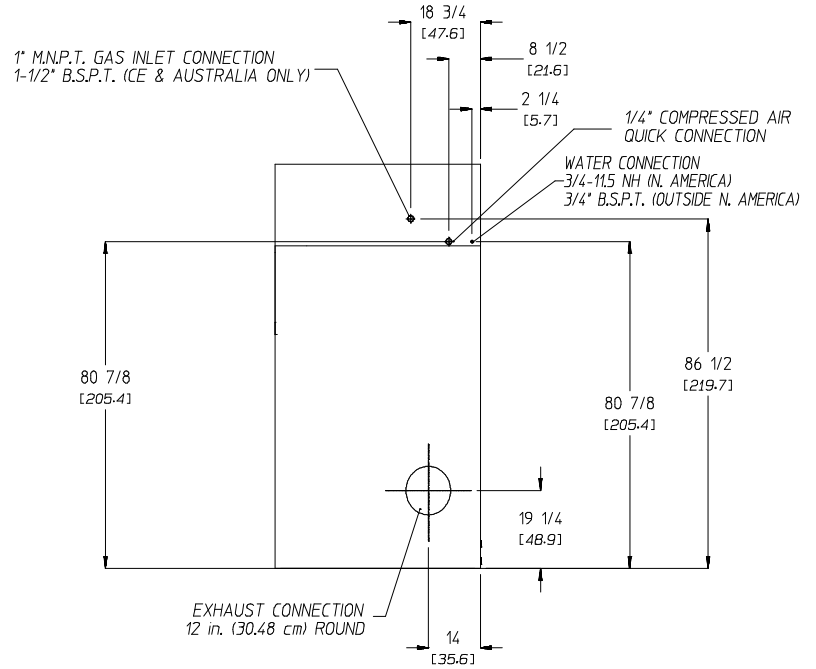
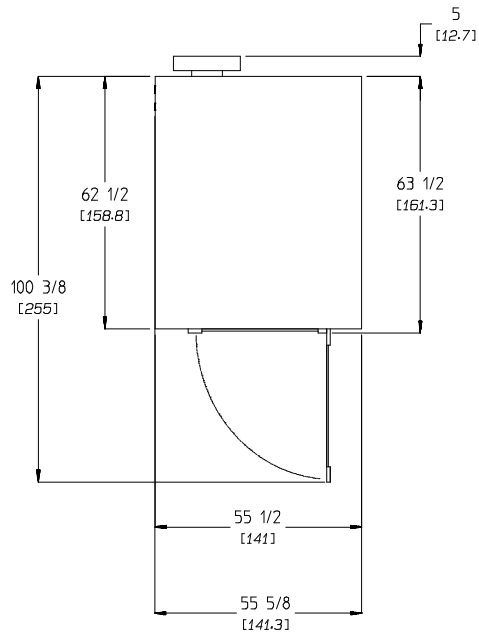
IMPORTANT: Gas dryers *must be* provided with a clean, dry, and regulated 80 psi \pm 10 psi (5.51 bar \pm 0.68 bar) air supply.

NOTE: ADC reserves the right to make changes in specifications at any time without notice or obligation.

Specifications – Gas

DRYER NOTES:

- ° DUCTWORK SIZE VARIES WITH INSTALLATION CONDITIONS.
- ° EXHAUST STATIC PRESSURE MUST BE NO LESS THAN 0 AND MUST NOT EXCEED 0.6" (1.48 mB) WATER COLUMN.



NOTE: ADC reserves the right to make changes in specifications at any time without notice or obligation.

SECTION III

INSTALLATION PROCEDURES

Installation **should be** performed by competent technicians in accordance with local and state codes. In the absence of these codes, the installation **must conform** to applicable American National Standards: ANSI Z223.1-LATEST EDITION (National Fuel Gas Code) or ANSI/NFPA NO. 70-LATEST EDITION (National Electrical Code) or in Canada, the installation **must conform** to applicable Canadian Standards: CAN/CGA-B149.1-M91 (Natural Gas) or CAN/CGA-B149.2-M91 (Liquid Propane [L.P.] Gas) or LATEST EDITION (for General Installation and Gas Plumbing) or Canadian Electrical Codes Parts 1 & 2 CSA C22.1-1990 or LATEST EDITION (for Electrical Connections).

A. LOCATION REQUIREMENTS

Before installing the dryer, be sure the location conforms to local codes and ordinances. In the absence of such codes or ordinances the location **must conform** with the National Fuel Gas Code ANSI.Z223.1 LATEST EDITION, or in Canada, the installation **must conform** to applicable Canadian Standards: CAN/CGA-B149.1-M91 (Natural Gas) or CAN/CGA-B149.2-M91 (L.P. Gas) or LATEST EDITION (for General Installation and Gas Plumbing).

1. The dryer **must be** installed on a sound level floor capable of supporting its weight. Carpeting **must be** removed from the floor area that the dryer is to rest on.

IMPORTANT: “The dryer **must be** installed on noncombustible floors only.”

2. The dryer **must not be** installed or stored in an area where it will be exposed to water and/or weather.
3. The dryer is for use in noncombustible locations.
4. Provisions for adequate air supply **must be** provided as noted in this manual (refer to **Fresh Air Supply Requirements** in Section D).
5. Clearance provisions **must be** made from combustible construction as noted in this manual (refer to **Dryer Enclosure Requirements** in Section C).
6. Provisions **must be** made for adequate clearances for servicing and for operation as noted in this manual (refer to **Dryer Enclosure Requirements** in Section C).
7. The dryer **must be** installed with a proper exhaust duct connection to the outside as noted in this manual (refer to **Exhaust Requirements** in Section E).
8. The dryer **must be** located in an area where correct exhaust venting can be achieved as noted in this manual (refer to **Exhaust Requirements** in Section E).

IMPORTANT: The dryer **should be** located where a minimum amount of exhaust duct will be necessary.

9. The dryer **must be** installed with adequate clearance for air openings into the combustion chamber.

CAUTION: This dryer produces combustible lint and **must be** exhausted to the outdoors. Every 6 months, inspect the exhaust ducting and remove any lint buildup.

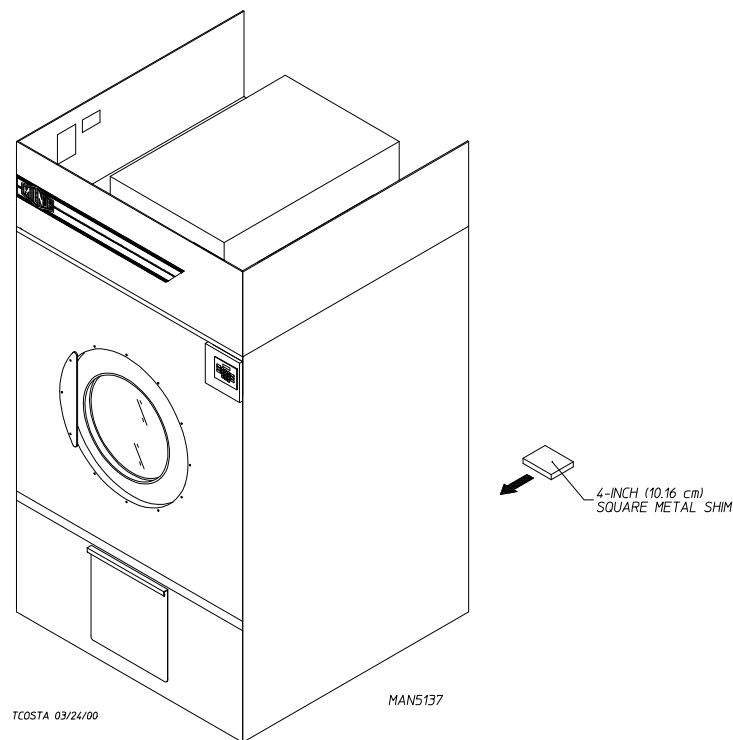
IMPORTANT: The dryer *must be* installed in a location/environment, which the ambient temperature remains between 40° F (4.44° C) and 130° F (54.44° C).

B. UNPACKING / SETTING UP

Remove protective shipping material (i.e., plastic wrap and/or optional shipping box) from dryer.

IMPORTANT: The dryer *must be* transported and handled in an upright position at **ALL** times.

The dryer can be moved to its final location while still attached to the skid or with the skid removed. To remove the skid from the dryer, locate and remove the four (4) lag bolts securing the base of the dryer to the wooden skid. Two (2) are at the rear base, and two (2) are located in the bottom of the lint chamber. To remove the two (2) lag bolts located in the lint chamber area, remove the lint drawer and the three (3) Phillips head screws securing the lint door in place.



1. Leveling Dryer

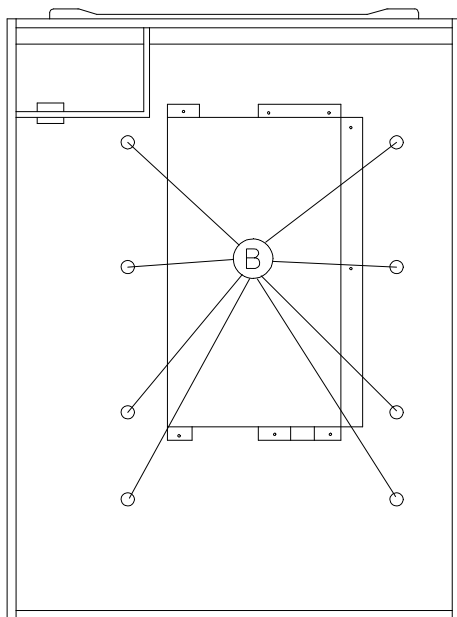
- To level the dryer, place 4-inch (10.16 cm) square metal shims or other suitable material under the base pads. It is suggested that the dryer be tilted slightly to the rear (refer to the **illustration above**).
- The V-belts are disconnected from the tumbler drive motor for shipping. Reconnect V-belts before starting the dryer.

2. If more headroom is needed when moving the dryer into position, the top console (module) may be removed.

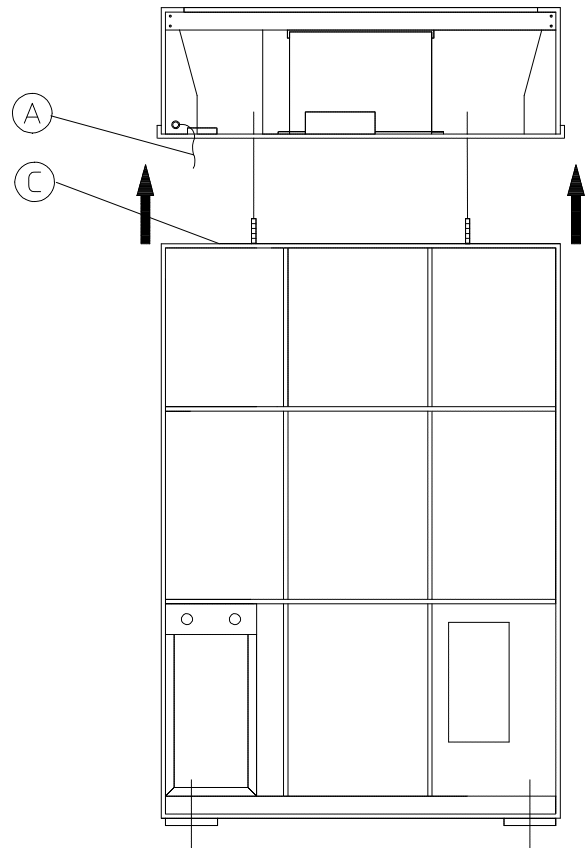
a. To Remove Top Console (module)...

- 1) Disconnect the ground wire (A in the **illustration below**) located at the rear upper left corner of the dryer.
- 2) Remove the eight (8) sets of nuts and washers (B in the **illustration below**) holding the console (module) to the base.
- 3) Disconnect the white plug connector (C in the **illustration below**) located on the top of the rear electric service/relay box (provides power to the heat circuit).
- 4) Disconnect air connection from the 3-way micro valve.
- 5) Lift the console (module) off of the dryer base.

IMPORTANT: The dryer *must be* transported and handled in an upright position at **ALL** times.



TOP (CUT-AWAY) VIEW



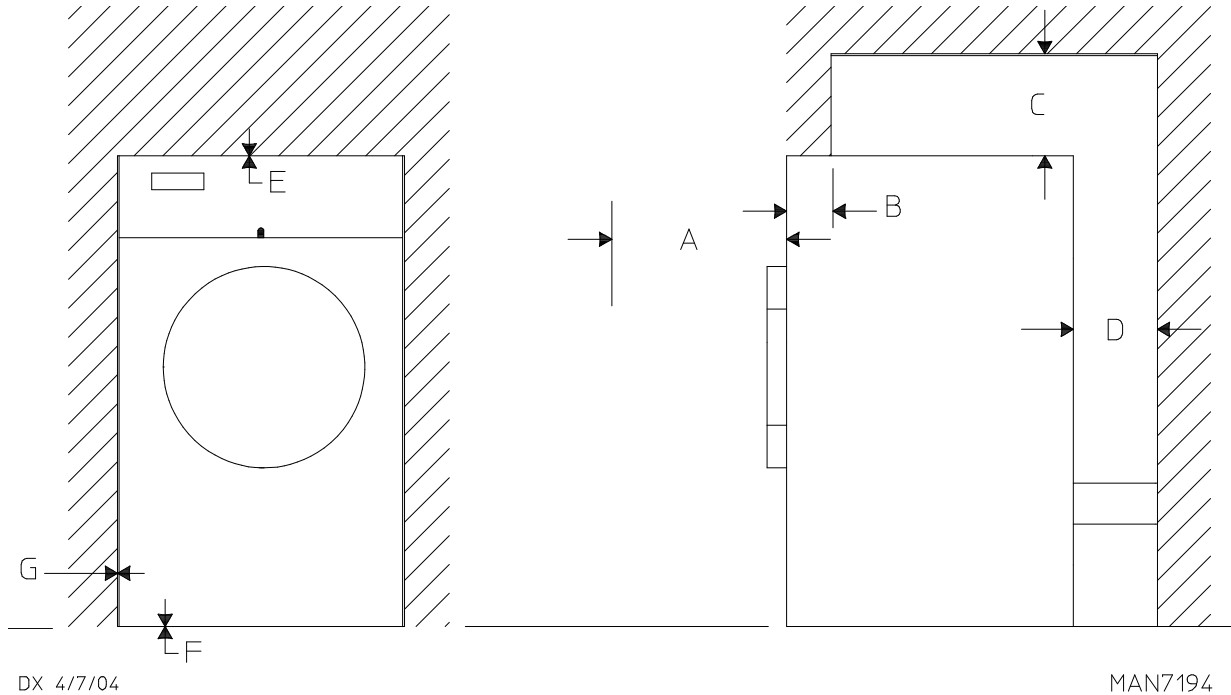
REAR VIEW

MAN4050

C. DRYER ENCLOSURE REQUIREMENTS

Bulkheads and partitions **should be** made of noncombustible material.

NOTE: Allowances *must be* made for opening the control door.



- A 40-inches (101.6 cm) for optimum opening of load door.
- B The maximum thickness of the bulkhead is 4-inches (10.16 cm).
- C A minimum overhead clearance of 12-inches (30.48 cm) is required, providing no sprinkler is located above the dryer.
- D The dryer **should be** positioned 24-inches (60.96 cm) away from the nearest obstruction and 36-inches (91.44 cm) is recommended for ease of installation, maintenance, and service.
- E 2-inch (5.08 cm) minimum is required for opening the control door.
- F Flooring **should be** level or below dryer cabinet for ease of removing panels during maintenance.
- G The dryers may be positioned sidewall to sidewall, however a 1/16" (1.5875 mm) minimum allowance **must be** made for the opening and closing of the control door, along with the removal of panels during maintenance.

D. FRESH AIR SUPPLY REQUIREMENTS

This appliance may only be installed in a room that meets the appropriate ventilation requirements specified in the national installation regulations.

When the dryer is operating, it draws in room air, heats it, passes this air through the tumbler, and exhausts it out of the building. Therefore, the room air **must be** continually replenished from the outdoors. If the make-up air is inadequate, drying time and drying efficiency will be adversely affected. Ignition problems and sail switch “fluttering” problems may result, as well as premature motor failure from overheating. The dryer **must be** installed with provisions for adequate combustion and make-up air supply.

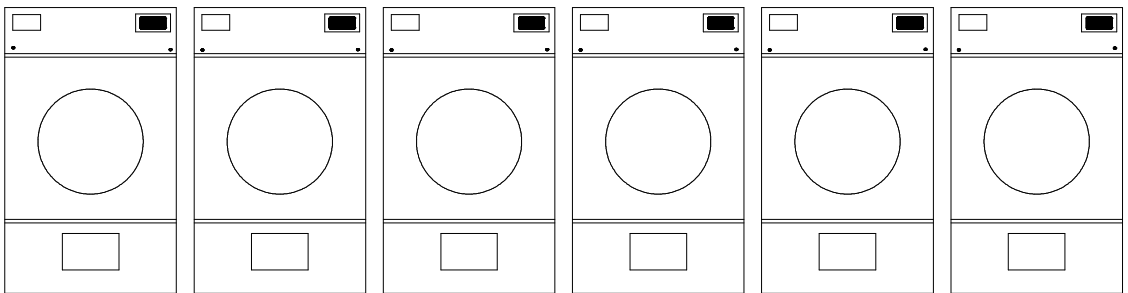
Air supply (make-up air) **must be** given careful consideration to ensure proper performance of each dryer. An unrestricted source of air is necessary for each dryer. As a general rule, an unrestricted air entrance from the outdoors (atmosphere) of a minimum of 3.25 square feet (0.30 square meters) is required for each dryer.

To compensate for the use of registers or louvers used over the openings, this make-up air **must be** increased by approximately thirty-three percent (33%). Make-up air openings **should not be** located in an area directly near where exhaust vents exit the building.

It is not necessary to have a separate make-up air opening for each dryer. Common make-up air openings are acceptable. However, they **must be** set up in such a manner that the make-up air is distributed equally to **ALL** the dryers.

EXAMPLE: For a bank of six (6) dryers, two (2) unrestricted openings measuring 3.25 feet by 3 feet (0.99 meters by 0.91 meters) are acceptable.

Allowances **must be** made for remote or constricting passageways or where dryers are located at excessive altitudes or predominantly low pressure areas.



MAN5878A

TYPICAL INSTALLATION SHOWING MAKE-UP AIR OPENINGS

IMPORTANT: Make-up air **must be** provided from a source free of dry cleaning solvent fumes. Make-up air that is contaminated by dry cleaning solvent fumes will result in irreparable damage to the motors and other dryer components.

NOTE: Component failure due to dry cleaning solvent fumes will VOID THE WARRANTY.

E. EXHAUST REQUIREMENTS

1. General Exhaust Ductwork Information

Exhaust ductwork **should be** designed and installed by a qualified professional. Improperly sized ductwork will create excessive back pressure which results in slow drying, increased use of energy, overheating of the dryer, and shutdown of the burner by the airflow (sail) switches, burner hi-limits, or tumbler hi-heat thermostats. The dryer **must be** installed with a proper exhaust duct connection to the outside.

The design of the flue system shall be such that any condensate formed when operating the appliance from cold shall either be retained and subsequently re-evaporated or discharged.

CAUTION: This dryer produces combustible lint and **must be** exhausted to the outdoors.

CAUTION: IMPROPERLY SIZED OR INSTALLED EXHAUST DUCTWORK CAN CREATE A POTENTIAL FIRE HAZARD.

NOTE: When a dryer is exhausted separately, **it is recommended** that a back draft damper be installed.

NOTE: When dryers are exhausted into a multiple (common) exhaust line, each dryer **must be** supplied with a back draft damper.

The ductwork **should be** laid out in such a way that the ductwork travels as directly as possible to the outdoors with as few turns as possible. Single or independent dryer venting is recommended.

When single dryer venting is used, the ductwork from the dryer to the outside exhaust outlet **should not exceed** 15 feet (4.57 meters). In the case of multiple (common) dryer venting, the distance from the last dryer to the outside exhaust outlet **should not exceed** 15 feet (4.57 meters). The shape of the ductwork **is not** critical as long as the minimum cross-sectional area is provided. It is suggested that the use of 90° turns **be avoided**; use 30° and/or 45° bends/angles instead. The radius of the elbows **should preferably be** 1-1/2 times the diameter of the duct. Excluding tumbler/dryer elbow connections or elbows used for outside protection from the weather, no more than three (3) elbows **should be** used in the exhaust duct run. If more than three (3) elbows are used, the cross-sectional area of the ductwork **must be** increased in proportion to the number of elbows used.

ALL ductwork **should be** smooth inside with no projections from sheet metal screws or other obstructions, which will collect lint. When adding ducts, the duct to be added should overlap the duct to which it is to be connected. **ALL** ductwork joints **must be** taped to prevent moisture and lint from escaping into the building. Inspection doors **should be** installed at strategic points in the exhaust ductwork for periodic inspection and cleaning of lint from the ductwork.

IMPORTANT: Exhaust back pressure measured by a manometer in the exhaust duct **must be** no less than 0 and **must not exceed** 0.6 inches (1.48 mb) of water column (W.C.).

NOTE: When the exhaust ductwork passes through a wall, ceiling, or roof made of combustible materials, the opening **must be** 2-inches (5.08 cm) larger than the duct (all the way around). The duct **must be** centered within this opening.

NOTE: As per the National Fuel Gas Code, “Exhaust ducts for Type 2 clothes dryers shall be constructed of sheet metal or other noncombustible material. Such ducts shall be equivalent in strength and corrosion resistance to ducts made of galvanized sheet steel not less than 26 gauge (0.0195-inches [0.5 mm]) thick.”

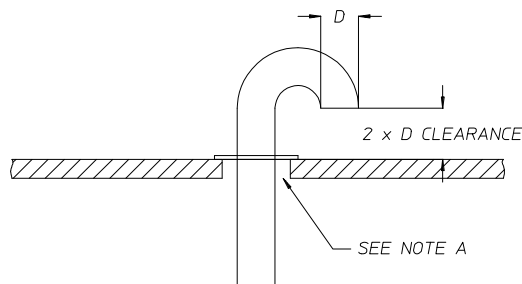
IMPORTANT: It is recommended that exhaust or booster fans not be used in the exhaust ductwork system.

Outside Ductwork Protection

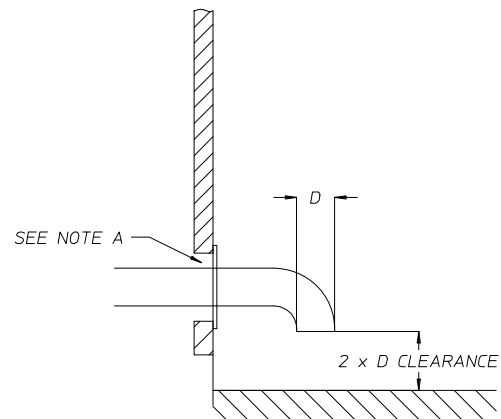
To protect the outside end of horizontal ductwork from the weather, a 90° elbow bent downward **should be** installed where the exhaust exits the building. If the ductwork travels vertically up through the roof, it **should be** protected from the weather by using a 180° turn to point the opening downward. In either case, allow at least twice the diameter of the duct between the duct opening and the nearest obstruction.

IMPORTANT: ***DO NOT*** use screens, louvers, or caps on the outside opening of the exhaust ductwork.

VERTICAL DUCTING



HORIZONTAL DUCTING



NOTE "A": OPENING MUST BE TWO (2) INCHES (5.08 CM) LARGER THAN DUCT (ALL THE WAY AROUND). THE DUCT MUST BE CENTERED WITHIN THIS OPENING.

MAN4706

2. Single Dryer Venting

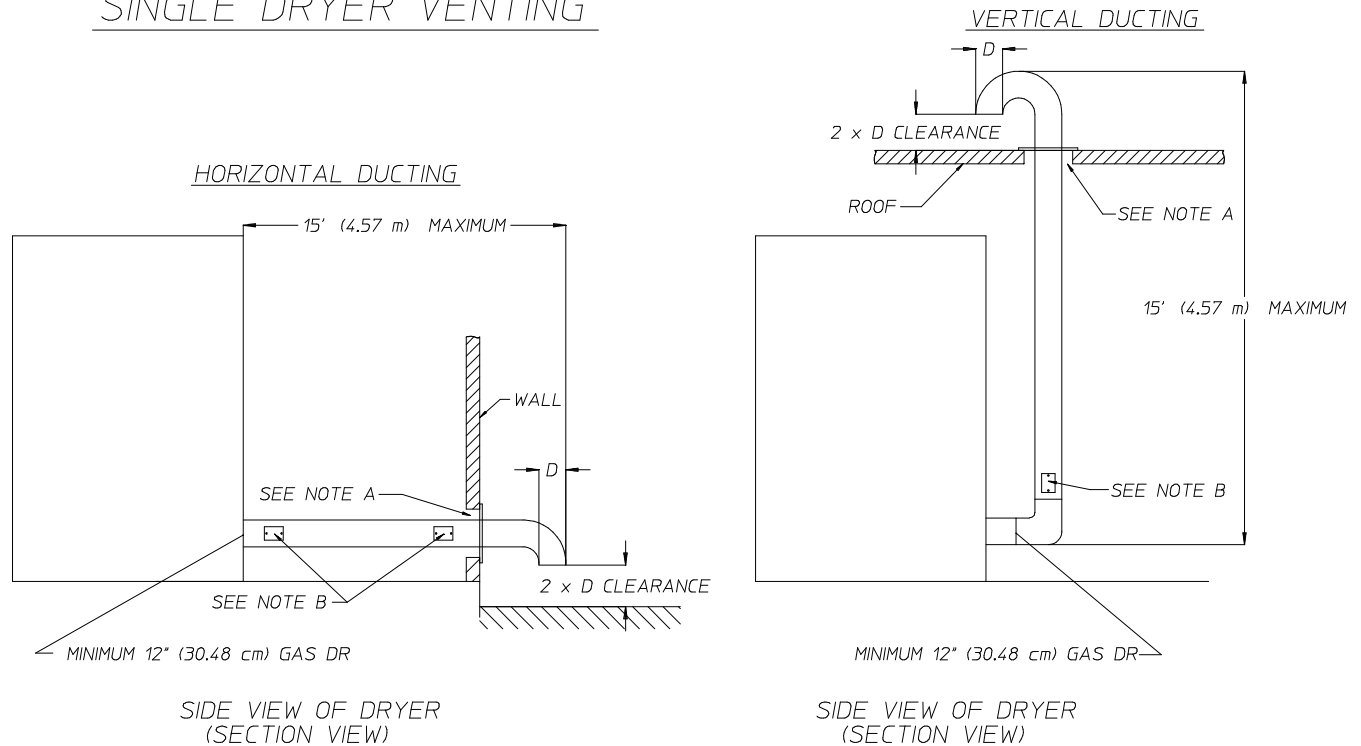
Where possible, it is suggested to provide a separate exhaust duct for each dryer. The exhaust duct **should be** laid out in such a way that the ductwork travels as directly as possible to the outdoors with as few turns as possible. It is suggested that the use of 90° turns in the ducting be avoided; use 30° and/or 45° angles instead. The shape of the exhaust ductwork is not critical as long as the minimum cross section area is provided.

IMPORTANT: The minimum duct size for a gas unit is 12-inches (30.48 cm) for a round duct and 12-inches x 10-inches (30.48 cm x 25.4 cm) for a square duct. **THE DUCT SIZE MUST NOT BE REDUCED ANYWHERE DOWNSTREAM OF THE DRYER.**

IMPORTANT: Exhaust back pressure measured by a manometer at each tumbler exhaust duct area **must be** no less than 0 and **must not exceed** 0.6 inches (1.48 mb) of water column (W.C.).

It is suggested that the ductwork from each dryer not exceed 15 feet (4.57 meters) with no more than three (3) elbows (excluding dryer connections). If the ductwork exceeds 15 feet (4.57 meters) or has numerous elbows, the cross-sectional area of the ductwork **must be** increased in proportion to the length and number of elbows in it. In calculating duct size, the cross-sectional area of a square or rectangular duct **must be** increased twenty percent (20%) for each additional 15 feet (4.57 meters). The diameter of a round exhaust duct **should be** increased ten percent (10%) for each additional 10 feet (3.04 meters). Each 90° elbow is equivalent to an additional 40 feet (12.19 meters), and each 45° elbow is equivalent to an additional 20 feet (6.09 meters).

SINGLE DRYER VENTING



NOTE: "A"- OPENING MUST BE 2-INCHES (5.08 cm) LARGER THAN DUCT (ALL THE WAY AROUND).
 THE DUCT MUST BE CENTERED WITHIN THIS OPENING.
 "B"- INSPECTION DOORS SHOULD BE INSTALLED AT STRATEGIC POINTS FOR PERIODIC INSPECTION AND CLEANING

ASILVA 12/21/04

MAN7307

IMPORTANT: For extended ductwork runs, the cross section area of the ductwork can only be increased to an extent. Maximum proportional ductwork runs **cannot** exceed 15 feet (4.57 meters) more than the original limitations of 15 feet (4.57 meters) with three (3) elbows. When the ductwork approaches the maximum limits as noted in this manual, a professional heating, ventilating, and air-conditioning (HVAC) firm **should be** consulted for proper venting information.

ALL ductwork **should be** smooth inside with no projections from sheet metal screws or other obstructions, which will collect lint. When adding ducts, the duct to be added should overlap the duct to which it is to be connected. **ALL** ductwork joints **must be** taped to prevent moisture and lint from escaping into the building. Inspection doors **should be** installed at strategic points in the exhaust ductwork for periodic inspection and cleaning of lint from the ductwork.

NOTE: When the exhaust ductwork passes through a wall, ceiling, or roof made of combustible materials, the opening **must be** 2-inches (5.08 cm) larger than the duct (all the way around). The duct **must be** centered within this opening.

Outside Ductwork Protection

To protect the outside end of the horizontal ductwork from the weather, a 90° elbow bent downward **should be** installed where the exhaust exits the building. If the ductwork travels vertically up through the roof, it **should be** protected from the weather by using a 180° turn to point the opening downward. In either case, allow at least twice the diameter of the duct between the duct opening and the nearest obstruction.

IMPORTANT: DO NOT use screens, louvers, or caps on the outside opening of the exhaust ductwork.

3. Multiple Dryer (Common) Venting

If it is not feasible to provide separate exhaust ducts for each dryer, ducts from individual dryers may be channeled into a “common main duct.” The individual ducts should enter the bottom or side of the main duct at an angle not more than 45° in the direction of the flow and **should be** spaced at least 55-3/4” (141.61 cm) apart. The main duct **should be** tapered, with the diameter increasing before each individual 18-inch (45.72 cm) duct is added.

IMPORTANT: The dryer **is not** provided with a back draft damper. When exhausted into a multiple (common) exhaust line, a back draft damper **must be** installed at each dryer duct.

IMPORTANT: No more than three (3) dryers **should be** connected to one (1) main common duct.

The main duct may be any shape or cross-sectional area, as long as the minimum cross section area is provided. The **illustration** on **page 18** shows the minimum cross section area for multiple dryer round or square venting. These figures **must be** increased 10 square inches (64.52 square centimeters) when rectangular main ducting is used, and the ratio of duct width to depth **should not be** greater than 3-1/2 to 1. These figures **must be** increased in proportion if the main duct run to the last dryer to where it exhausts to the outdoors is unusually long (over 15 feet [4.57 meters]) or has numerous elbows (more than three [3]) in it. In calculating ductwork size, the cross-sectional area of a square or rectangular duct **must be** increased twenty percent (20%) for each additional 20 feet (6.09 meters). The diameter of a round exhaust **must be** increased ten percent (10%) for each additional 20 feet (6.09 meters). Each 90° elbow is equivalent to an additional 40 feet (12.19 meters) and each 45° elbow is equivalent to an additional 20 feet (6.09 meters).

IMPORTANT: For extended ductwork runs, the cross section area of the ductwork can only be increased to an extent. Maximum proportional ductwork runs **cannot** exceed 15 feet (4.57 meters) more than the original limitations of 15 feet (4.57 meters) with three (3) elbows. When the ductwork approaches the maximum limits as noted in this manual, a professional heating, ventilating, and air-conditioning (HVAC) firm **should be** consulted for proper venting information.

IMPORTANT: Exhaust back pressure measured by a manometer in the exhaust duct **must be** no less than 0 and **must not exceed** 0.6 inches (1.48 mb) of water column (W.C.).

The ductwork **should be** smooth inside with no projections from sheet metal screws or other obstructions, which will collect lint. When adding ducts, the duct to be added should overlap the duct to which it is to be connected. **ALL** ductwork joints **must be** taped to prevent moisture and lint from escaping into the building. Inspection doors **should be** installed at strategic points in the exhaust ductwork for periodic inspection and cleaning of lint from the ductwork.

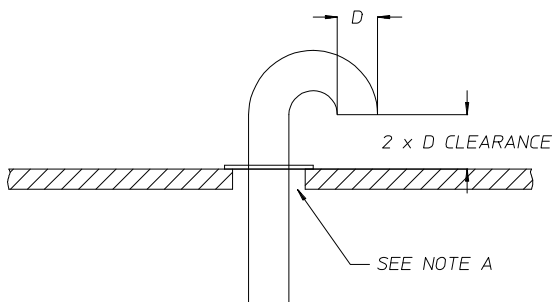
NOTE: When the exhaust ductwork passes through a wall, ceiling, or roof made of combustible materials, the opening **must be** 2-inches (5.08 cm) larger than the duct (all the way around). The duct **must be** centered within this duct.

Outside Ductwork Protection

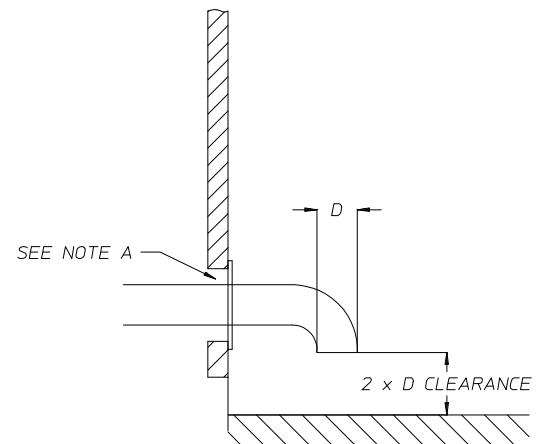
To protect the outside end of the horizontal ductwork from the weather, a 90° elbow bent downward **should be** installed where the exhaust exits the building. If the exhaust ductwork travels vertically up through the roof, it **should be** protected from the weather by using a 180° turn to point the opening downward. In either case, allow at least twice the diameter of the duct between the duct opening and the nearest obstruction.

IMPORTANT: DO NOT use screens, louvers, or caps on the outside opening of the exhaust ductwork.

VERTICAL DUCTING



HORIZONTAL DUCTING

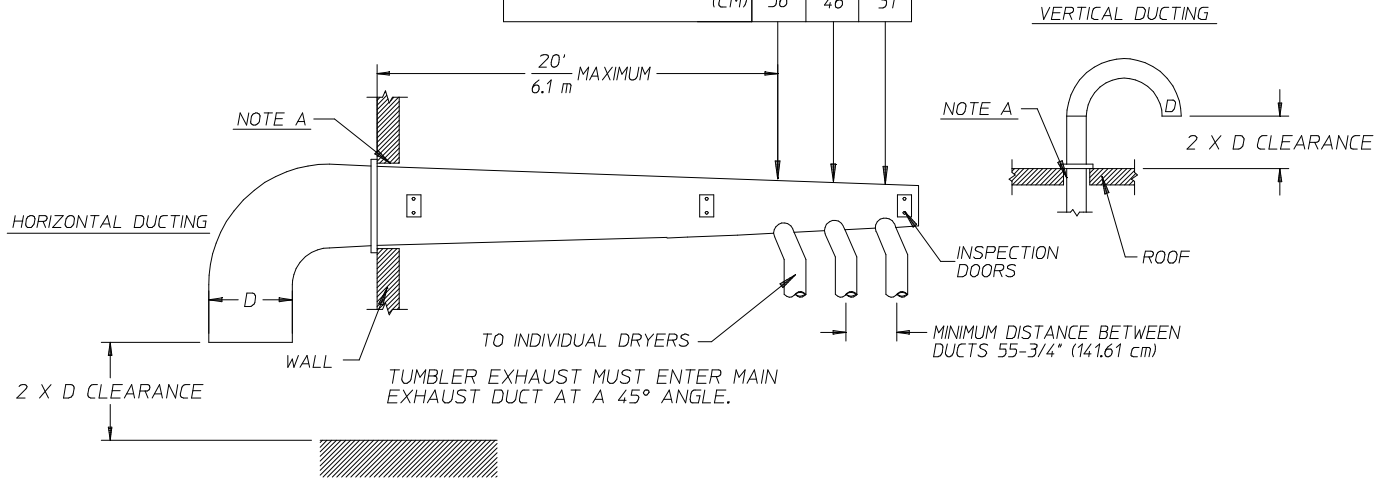


NOTE *A*: OPENING MUST BE TWO (2) INCHES (5.08 CM) LARGER THAN DUCT (ALL THE WAY AROUND). THE DUCT MUST BE CENTERED WITHIN THIS OPENING.

MAN4706

**MULTIPLE DRYER VENTING (GAS DR MODELS)
WITH 12" (30.48 CM) DIAMETER (3,700 CFM [104.77 CMM]) CONNECTIONS AT COMMON DUCT**

NO. OF DRYERS	3	2	1
MINIMUM CROSS SECTION AREA (SQ IN)	615	455	255
MINIMUM CROSS SECTION AREA (SQ CM)	3967	2935	1645
MINIMUM ROUND DUCT DIAMETER (IN)	22	18	12
MINIMUM ROUND DUCT DIAMETER (CM)	56	46	31

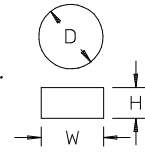


**IMPORTANT: NO MORE THAN 3 DRYERS CAN
BE CONNECTED TO ONE COMMON DUCT (VENT).**

FORMULAS TO CALCULATE DUCTING CROSS SECTIONAL AREA

CROSS SECTIONAL AREA OF A ROUND DUCT = $0.785 (19.939 \text{ mm}) \times D^2$ WHERE D = DIAMETER OF THE DUCT.

CROSS SECTIONAL AREA OF A RECTANGULAR DUCT = $W \times H$ WHERE W = WIDTH AND H = HEIGHT.



NOTE A: OPENING MUST BE 2-INCHES (5.08 cm) LARGER THAN THE DUCT (ALL THE WAY AROUND). THE DUCT MUST BE CENTERED WITHIN THIS OPENING.

MAN7308
ASILVA 12/21/04

F. ELECTRICAL INFORMATION

1. Electrical Requirements

ALL electrical connections must be made by a properly licensed and competent electrician. This is to ensure that the electrical installation is adequate and conforms to local and state regulations or codes. In the absence of such codes, **ALL** electrical connections, materials, and workmanship **must conform** to the applicable requirements of the National Electrical Code ANSI/NFPA NO. 70-LATEST EDITION or in Canada, the Canadian Electrical Codes Parts 1 & 2 CSA C22.1-1990 or LATEST EDITION.

IMPORTANT: Failure to comply with these codes or ordinances, and/or the requirements stipulated in this manual can result in personal injury or component failure.

NOTE: Component failure due to improper installation will VOID THE WARRANTY.

Each dryer **should be** connected to an independently protected branch circuit. The dryer **must be** connected with copper wire only. ***DO NOT use aluminum wire, it could create a fire hazard.*** The copper conductor wire/cable **must be** of proper ampacity and insulation in accordance with electric codes for making **ALL** service connections.

NOTE: The use of aluminum wire will VOID THE WARRANTY.

IMPORTANT: A separate protected circuit ***must be*** provided to each dryer.

NOTE: An individual ground circuit ***must be*** provided to each dryer, do not daisy chain.

IMPORTANT: The dryer ***must be*** connected to the electric supply shown on the dryer data label. In the case of 208 VAC or 240 VAC, the supply voltage must match the electric service specifications of the dryer data label **exactly**.

IMPORTANT: The wire size ***must be*** properly sized to handle the related current.

WARNING: **208 VAC AND 240 VAC ARE NOT THE SAME**. Any damage done to dryer components due to improper voltage connections will automatically VOID THE WARRANTY.

NOTE: The manufacturer reserves the right to make changes in specifications at any time without notice or obligation.

2. Electrical Service Specifications

a. Gas Models Only

<h1>Gas</h1>					
ELECTRICAL SERVICE SPECIFICATIONS (PER DRYER)					
<p>IMPORTANT: 208 VAC AND 230/240 VAC ARE NOT THE SAME. When ordering, specify exact voltage.</p> <p>NOTES:</p> <ul style="list-style-type: none"> A. When fuses are used they must be dual element, time delay, current limiting, class RK1 or RK5 ONLY. Calculate/determine correct fuse value, by applying either local and/or National Electrical Codes to listed appliance amp draw data. B. Circuit breakers are thermal-magnetic (industrial) motor curve type ONLY. For others, calculate/verify correct breaker size according to appliance amp draw rating and type of breaker used. C. Circuit breakers for 3-phase (3\emptyset) dryers must be 3-pole type. 					
SERVICE VOLTAGE	PHASE	WIRE SERVICE	APPROX. AMP DRAW		CIRCUIT BREAKER
			60 Hz	50 Hz	
208	3 \emptyset	3	29	—	40
220	3 \emptyset	3	28	28	40
230	3 \emptyset	3	27	32	40
240	3 \emptyset	3	27	—	40
380	3 \emptyset	3	17	—	30
380	3 \emptyset	4*	—	17	30
400	3 \emptyset	4*	—	17	30
416	3 \emptyset	4*	—	16	20
440	3 \emptyset	3	15	—	20
460	3 \emptyset	3	14	—	20
480	3 \emptyset	3	14	—	20
575	3 \emptyset	3	18	—	30

* 3-Wire is available.

9/17/14

3. Grounding

A ground (earth) connection **must be** provided and installed in accordance with state and local codes. In the absence of these codes, grounding **must conform** to applicable requirements of the National Electrical Code ANSI/NFPA NO. 70-LATEST EDITION, or in Canada, the installation **must conform** to applicable Canada Standards: Canadian Electrical Codes Parts 1 & 2 CSA C22.1-1990 or LATEST EDITION. The ground connection may be to a proven earth ground at the location service panel.

For added personal safety, when possible, it is suggested that a separate ground wire (size per local codes) be connected from the ground connection of the dryer to a grounded cold water pipe. **DO NOT ground to a gas pipe or hot water pipe.** The grounded cold water pipe must have metal-to-metal connection **ALL** the way to the electrical ground. If there are any nonmetallic interruptions, such as, a meter, pump, plastic, rubber, or other insulating connectors, they **must be** jumped out with a wire (size per local codes) and securely clamped to bare metal at both ends.

IMPORTANT: For personal safety and proper operation, the dryer **must be** grounded.

Provisions are made for ground connection in each dryer at the electrical service connection area.

4. Electrical Connections

A wiring diagram is located inside the control box for connection data.

If local codes permit, power to the dryer can be made by the use of a flexible U.L. listed power cord/pigtail (wire size **must conform** to rating of dryer), or the dryer can be hard wired directly to the service breaker panel. In both cases, a strain relief **must be** installed where the wiring enters the dryer.

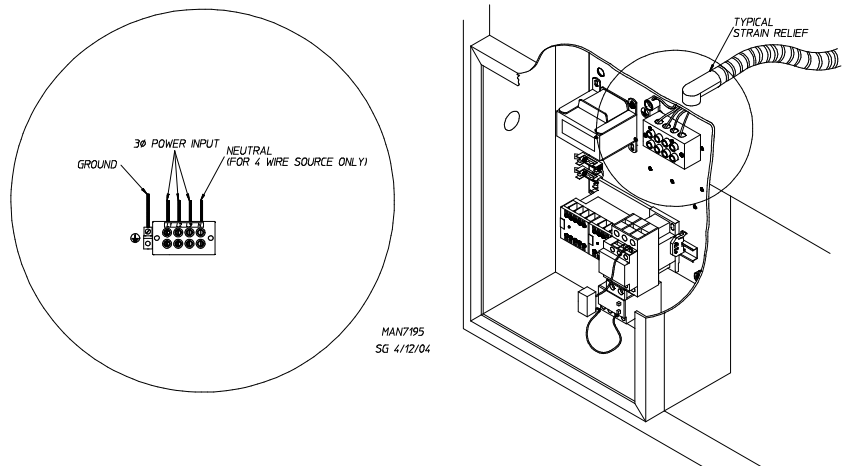
The “LINE POWER” and the “GROUND” connections to the dryer **must be** made through the knockout hole at the top of the electric service/relay box. A strain relief **must be** used where the line power ground wires go into the electric service/relay box.

a. 3-Phase (3 ϕ) Wiring Connections/Hookup

The electrical connections on **ALL** 3-phase (3 ϕ) gas dryers are made into the rear service box located at the upper left area of the dryer. The electrical connections are made at the power distribution block located in the service box. The ground connection is made to the copper lug, also provided in this box. To gain access, the service box cover **must be** removed.

IMPORTANT: A separate protected circuit **must be** provided to each dryer.

The neutral will only be used on 4-wire service. This is typical for 380-416V, 50 Hz.



G. GAS INFORMATION

It is your responsibility to have **ALL** plumbing connections made by a qualified professional to ensure that the gas plumbing installation is adequate and conforms to local and state regulations or codes. In the absence of such codes, **ALL** plumbing connections, materials, and workmanship **must conform** to the applicable requirements of the National Fuel Gas Code ANSI Z223.1-LATEST EDITION, or in Canada, the Canadian Installation Codes CAN/CGA-B149.1-M91 (Natural Gas) or CAN/CGA-B149.2-M91 (Liquid Propane [L.P.] Gas) or LATEST EDITION.

In Australia, the fuel gas code is AS 5601/AG 601, local authority, gas, electricity, and any other relevant statutory regulations.

IMPORTANT: Failure to comply with these codes or ordinances, and/or the requirements stipulated in this manual, can result in personal injury and improper operation of the dryer.

The dryer and its individual shutoff valves **must be** disconnected from the gas supply piping system during any pressure testing of that system at test pressures in excess of 1/2 psig (3.5 kPa). The dryer **must be** isolated from the gas supply piping system by closing its individual manual shutoff valve during any pressure test of the gas supply system at test pressures equal to or less than 1/2 psig (3.5 kPa).

IMPORTANT: Failure to isolate or disconnect dryer from supply as noted can cause irreparable damage to the gas valve, which will VOID THE WARRANTY.

WARNING: FIRE OR EXPLOSION COULD RESULT.

1. Gas Supply

The gas dryer installation **must meet** the American National Standard...National Fuel Gas Code ANSI Z223.1-LATEST EDITION, or in Canada, the Canadian Installation Codes CAN/CGA-B149.1 M91 (Natural Gas) or CAN/CGA-B149.2-M91 (L.P. Gas) or LATEST EDITION, as well as local codes and ordinances and **must be** done by a qualified professional.

NOTE: Undersized gas piping will result in ignition problems, slow drying, increased use of energy, and can create a safety hazard.

The dryer **must be** connected to the type of heat/gas indicated on the dryer data label. If this information does not agree with the type of gas available, **DO NOT operate the dryer**. Contact the reseller who sold the dryer or contact the **ADC** factory.

IMPORTANT: Any burner changes or conversions **must be** made by a qualified professional.

The input ratings shown on the dryer data label are for elevations up to 2,000 feet (609.6 meters), unless elevation requirements of over 2,000 feet (609.6 meters) were specified at the time the dryer order was placed with the factory. The adjustment or conversion of dryers in the field for elevations over 2,000 feet (609.6 meters) is made by changing each burner orifice. If this conversion is necessary, contact the reseller who sold the dryer or contact the **ADC** factory.

IMPORTANT: THIS GAS DRYER IS NOT PROVIDED WITH AN INTERNAL GAS SUPPLY SHUTOFF AND AN EXTERNAL GAS SUPPLY SHUTOFF **MUST BE** PROVIDED.

2. Technical Data

a. Gas Specifications

TYPE OF GAS				
	NATURAL		LIQUID PROPANE	
Manifold Pressure*	3.5 inches W.C.	8.7 mb	10.5 inches W.C.	26.1 mb
In-Line Pressure	6.0 - 12.0 inches W.C.	14.92 - 29.9 mb	11.0 inches W.C.	27.4 mb

Shaded areas are stated in metric equivalents

* Measured at the gas valve pressure tap when the gas valve is on.

b. Gas Connections:

Inlet connection _____ 1-1/2" F.P.T.
 Inlet supply size _____ 1-1/2" Pipe Diameter (minimum)
 Btu/hr input _____ 395,000 (99,538 kcal/hr)

1) Natural Gas

Regulation is controlled by the dryer's gas valve's internal regulator. Incoming supply pressure **must be** consistent between a minimum of 6.0 inches (14.92 mb) and a maximum of 12.0 inches (29.9 mb) water column (W.C.) pressure.

2) Liquid Propane (L.P.) Gas

The dryers made for use with L.P. gas have the gas valve's internal pressure regulator blocked open so that the gas pressure **must be** regulated upstream of the dryer. The pressure measured at each gas valve pressure tap **must be** a consistent 10.5 inches (26.1 mb) water column. There is no regulator or regulation provided in an L.P. dryer. The water column pressure **must be** regulated at the source (L.P. tank) or an external regulator **must be** added to each dryer.

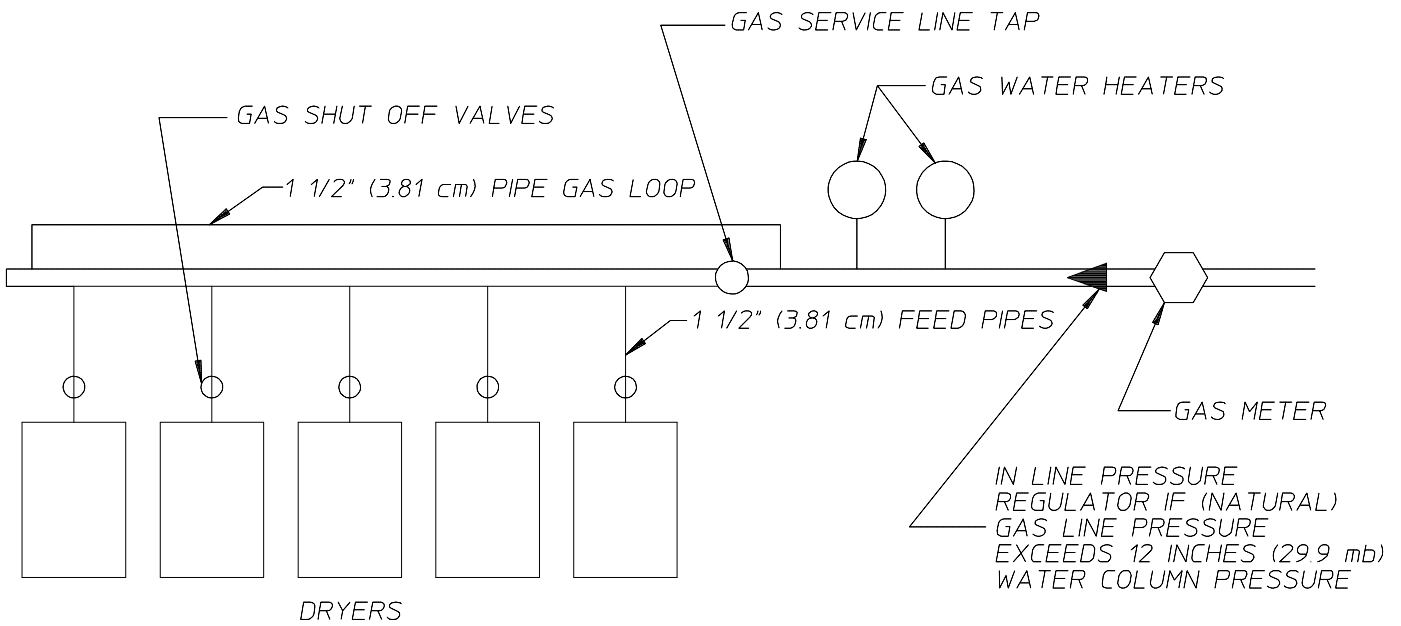
TYPE OF GAS								Liquid Propane Conversion Kit Part Number
Btu / hr Rating	kcal / hr Rating	Natural			Liquid Propane			
		Qty.	D.M.S.*	Part No.	Qty.	D.M.S.*	Part No.	
395,000	99,538	4	#13	140860	4	#34	140852	887247

Shaded area is stated in metric equivalent

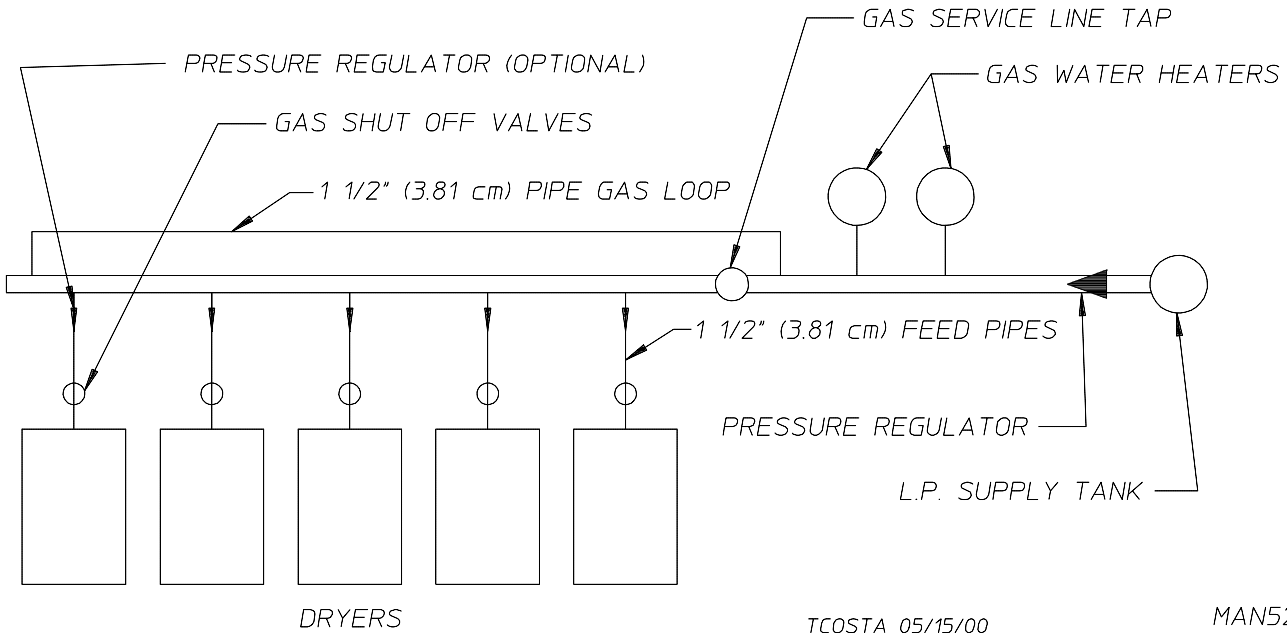
* Drill Measurement Size (D.M.S.) equivalents are as follows:

Natural Gas #13 = 0.185" (4.699 mm).
 Liquid Propane Gas #34 = 0.111" (2.819 mm).

TYPICAL NATURAL GAS INSTALLATION



TYPICAL L.P. GAS INSTALLATION



TCOSTA 05/15/00

MAN5273

H. WATER INFORMATION

BEFORE YOU START!

CHECK LOCAL CODES AND PERMITS

Call your local water company or the proper municipal authority for information regarding local codes.

IMPORTANT: It is your responsibility to have **ALL** plumbing connections made by a qualified professional to ensure that the plumbing installation is adequate and conforms to local, state, and federal regulations or codes.

IMPORTANT: It is the installer's or owner's responsibility to see that the required water pressure, pipe size, or connections are provided. The manufacturer assumes no responsibility if the fire suppression system is not connected, installed, or maintained properly.

INSTALLATION

1. Water Supply

The fire suppression system **must be** supplied with a minimum water pipe size of 1/2-inch (12.7 mm) and be provided with 40 psi +/- 20 psi (2.75 bar +/- 1.37 bar) of pressure.

If the rear area of the dryer or the water supply is located in an area where it will be exposed to cold/freezing temperatures, provisions **must be** made to protect these water lines from freezing.

WARNING: If the water in the supply line or water solenoid valve freezes, the fire suppression system **will be** INOPERATIVE!!

2. Water Connections

The water connection is made to the 3/4"-11.5 NH hose adaptor, which is shipped in the tumbler and must be installed to the 1/2" N.P.T. water connection, located at the upper rear of the dryer. A flexible supply line/coupling must be used in an effort to avoid damaging the electric water solenoid valve.

NOTE: The 3/4"-11.5 NH is a standard hose coupling screw thread. It **is not** to be confused with 3/4" N.P.T. The sealing of an NH connection is made with a washer opposed to the mating threads of an N.P.T. assembly. The two (2) thread designs **are not** compatible.

It is recommended that a filter or strainer be installed in the water supply line.

IMPORTANT: Flexible supply line/coupling **must be** used. Solenoid valve failure due to hard plumbing connections WILL VOID WARRANTY.

IMPORTANT: The dryer is to be connected to the water mains using a new hose set and the old hose set **should not be** reused.

OPTIONAL MANUAL BYPASS

Provisions are made in the dryer's fire suppression system for the installation of an optional manual bypass. The connections for the manual bypass are made at the "tee" or "three way" fitting, located in the outlet supply side of the water solenoid valve. The manual ball cock shutoff valve must be located outside of the dryer at a distance from the dryer where it is easily accessible. The use and connection of this manual bypass is at the option or discretion of the owner.

The water connection for the manual bypass is made to the "tee" or "three way" fitting, which has a 3/8" F.N.P.T. and a coupling must be used to provide the minimum 1/2-inch (12.7 mm) supply (feed) line.

3. Electrical Requirements

No independent external power source or supply connection is necessary. The 24-volt power to operate the fire suppression system is accomplished internally in the dryer (from the dryer controls).

WARNING: Electrical power *must be* provided to the dryer at **ALL** times. If the main electrical power supply to the dryer is disconnected, the fire suppression system is INOPERATIVE!!

I. PREPARATION FOR OPERATION/START-UP

The following items **should be** checked before attempting to operate the dryer:

1. Read **ALL** "CAUTION," "WARNING," and "DIRECTION" labels attached to the dryer.
2. Check incoming supply voltage to be sure that it is the same as indicated on the dryer data label. In the case of 208 VAC or 240 VAC **THE SUPPLY VOLTAGE MUST MATCH THE ELECTRIC SERVICE EXACTLY**.
3. GAS MODELS – check to ensure that the dryer is connected to the type of heat/gas indicated on the dryer data label.
4. GAS AND ELECTRIC MODELS – the sail switch damper assembly was installed and pre-adjusted at the factory prior to shipping. However, each sail switch adjustment **must be** checked to ensure that this important safety control is functioning.
5. Check to be sure that the drive belts between the idler pulley and the motor pulley have been reconnected.

NOTE: The drive belts were disconnected at the factory prior to dryer shipment.

6. GAS MODELS – be sure that **ALL** gas shutoff valves are in the open position.
7. Be sure **ALL** back panels (guards) and electric box covers have been replaced.
8. Check **ALL** service doors to ensure that they are closed and secured in place.
9. Be sure the lint drawer is securely in place.

NOTE: LINT DRAWER MUST BE ALL THE WAY IN PLACE TO ACTIVATE THE SAFETY SWITCH OTHERWISE THE DRYER WILL NOT START.

10. Rotate the tumbler (drum) by hand to be sure it moves freely.

11. Check bolts, nuts, screws, terminals, and fittings for security.
12. Check to ensure air supply (80 psi [5.51 bar]) is connected to the dryer.
13. Check tumbler bearing setscrews to ensure they are **ALL** tight.

J. PREOPERATIONAL TEST

ALL dryers are thoroughly tested and inspected before leaving the factory. However, a preoperational test **should be** performed before the dryer is publicly used. It is possible that adjustments have changed in transit or due to marginal location (installation) conditions. Installer must instruct the user on how to correctly operate the dryer before leaving.

1. Turn on electric power to the dryer.
2. Make sure the main door is closed and the lint drawer is securely in place.
3. Refer to the Operating Instructions for starting your particular model dryer.
4. Check to ensure that the tumbler starts in the clockwise (CW) direction. Additionally, check the direction of the blower motor impellor (fan) to ensure that the impellor (fan) rotates in the clockwise (CW) direction as viewed from the front. If it is, the phasing is correct. If the phasing is incorrect, reverse two (2) of the leads at L1, L2, or L3 of the power supply connections made to the dryer.

IMPORTANT: The dryer blower motor/pulley that drives the impellor/fan (squirrel cage) when viewed from the back of the dryer must turn in the counterclockwise (CCW) direction, otherwise the dryer efficiency **will be** drastically reduced and premature component failure can result.

5. Heat Circuit Operational Test

a. Gas Models

- 1) When the dryer is first started (during initial start-up), the burner has a tendency not to ignite on the first attempt. This is because the gas supply piping is filled with air, so it may take a few minutes for this air to be purged from the lines.
- 2) The dryer is equipped with a Direct Spark Ignition (DSI) system, which has internal diagnostics. If ignition is not established after three (3) attempts, the heat circuit DSI module will LOCKOUT until it is manually reset. To reset the DSI system, open and close the main door and restart the dryer (press the “START” key).

NOTE: During the purging period, check to be sure that **ALL** gas shutoff valves are open.

- 3) Once ignition is established, a gas pressure test **should be** taken at the gas valve pressure tap of each dryer to ensure that the water column (W.C.) pressure is correct and consistent.

NOTE: Water column pressure requirements (measured at the gas valve pressure tap)...

Natural Gas ----- 3.5 Inches (8.7 mb) Water Column.
 Liquid Propane (L.P.) Gas ---- 10.5 Inches (26.1 mb) Water Column.

IMPORTANT: There is no regulator provided in an L.P. dryer. The water column (W.C.) pressure *must be* regulated at the source (L.P. tank) or an external regulator *must be* added to each dryer.

6. Make a complete operational check of **ALL** safety-related circuits (i.e., lint drawer switch and sail switch on gas models).

NOTE: To check for proper sail switch operation, open the main door and while holding main door switch plunger in, start the dryer. The dryer should start but the heat circuit *should not be* activated (on). If the heat (burner) does activate, shut the dryer off and make the necessary adjustments.

7. Reversing tumbler dryers **should never be** operated with less than a 112 lb (51 kg) load (dry weight), since the load's weight affects tumbler coast time during a direction reversal command. It is important that the tumbler come to a complete stop prior to starting in opposite direction.
 - a. Microprocessor Controller (Computer) Dryer Models
 - 1) Spin and dwell (stop) times are not adjustable in the Automatic Mode and have been preprogrammed into the microprocessor controller (computer) for 150-seconds spin time in the forward direction and 120-seconds in the reverse direction with a 5-second dwell (stop) time.
 - 2) Spin and dwell (stop) times are adjustable in the Manual (timed) Mode.

TUMBLER COATING

The tumbler is treated with a protective coating. We suggest dampening old garments or cloth material with a solution of water and nonflammable mild detergent and tumbling them in the tumbler to remove this coating.

8. Each dryer **should be** operated through one (1) complete cycle to ensure that no further adjustments are necessary and that **ALL** components are functioning properly.
9. Make a complete operational check of **ALL** operating controls.
 - a. Microprocessor Controller (Computer) Programs/Selections
 - 1) Each microprocessor controller (computer) has been preprogrammed by the factory with the most commonly used parameter (program) selections. If computer changes are required, refer to the computer programming manual, which was shipped with the dryer.

K. PREOPERATIONAL INSTRUCTIONS

IMPORTANT: For more detailed information regarding the microprocessor controller (computer), refer to the microprocessor user's manual included with the dryer.

1. Microprocessor Controller (Computer)

The light emitting diode (L.E.D.) display reads "READY" (no cycle in progress).

Press the letter on the keypad corresponding to the cycle desired (i.e., key "D").

The dryer will then start (i.e., blower, tumbler, and heat).

The L.E.D. display will read MANUAL DRYING CYCLE D, 00:00 MIN REMAIN.

NOTE: The dryer can be stopped at any time by pressing the “STOP/CLEAR” key, at this time the dryer will go into a cycle pause. If the “STOP/CLEAR” key is pressed again at this point, the cycle that was in progress **will be** cancelled and returned to the “READY” state.

When the programmed drying time has expired, the Phase 7 non-coin microprocessor controller (computer) will proceed into the Cool Down Cycle.

Once the Cool Down Cycle begins at the end of the heat cycle, the L.E.D. display will read COOL DOWN TEMP ___/___ MINUTES remaining. At the end of the heat cycle, the dryer will shut off the heat and continue the fan and tumbler until the Cool Down Time or temperature is reached.

2. Dual Timer Dryers

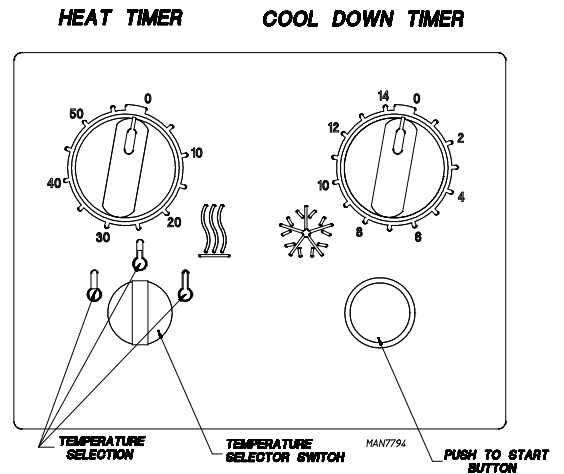
Turn drying timer knob for a time of 20 minutes.

Select “High Temp.”

Push “Push to Start” button.

To stop the dryer, open the main door.

Spin and dwell (stop) times are adjustable at the reversing timer.

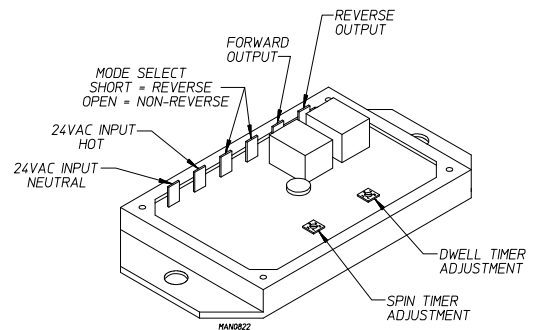


3. Reversing Timer Spin/Dwell Adjustments

Timer models have an electronic reversing timer in the electrical service box, which is located in the upper left rear area of the dryer.

Both the Dwell (stop) Time and the basket (tumbler) Spin Time are adjustable by mode selection switches located on the electronic timer (as noted in the **illustration below**).

TIMING LEGEND					
SPIN TIME					
Adjustment Position Number	1	2	3	4	5
Time in Seconds*	30	60	90	120	150
DWELL (STOP) TIME					
Adjustment Position Number	1	2	3	4	5
Time in Seconds*	5	6.3	7.6	8.9	10.2
* Values shown are +/- 1-second.					



L. COMPRESSED AIR REQUIREMENTS

The dryer requires an external supply of compressed air (4.25 cfm @ 80 psi [0.12 cmh @ 5.51 bar]). Compressed air is necessary/required for blower air jet operation to clean lint from the impellor/fan (squirrel cage).

1. Air Requirements

Compressed Air Supply	Air Pressure	
	Normal	80 psi
Minimum Supply	70 psi	4.82 bar
Maximum Supply	90 psi	6.21 bar

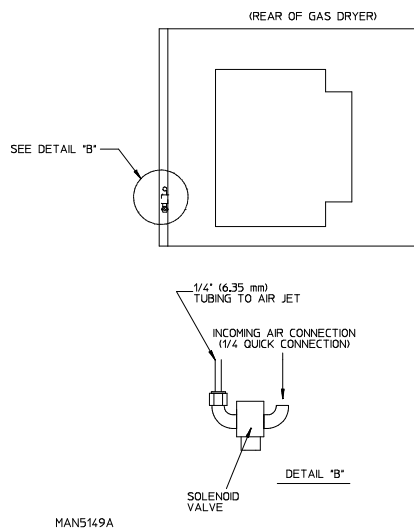
Shaded areas are stated in metric equivalents

2. Air Regulation

No air regulation or air filtration is provided with the dryer. External regulation/filtration of 80 psi (5.51 bar) **must be** provided. It is suggested that a regulator/filter gauge arrangement be added to the compressed air line just before the dryer connection. This is necessary to ensure that correct and clean air pressure is achieved.

3. Air Connection

Air connection to this system is a 1/4" quick connection as show in the **illustration below**.



M. SHUTDOWN INSTRUCTIONS

If the dryer is to be shutdown (taken out of service) for a period of time, the following **must be** performed:

1. Discontinue power to the dryer either at the external disconnect switch or the circuit breaker.
2. Discontinue the heat supply:
 - a. **GAS MODELS ... discontinue the gas supply.**

- 1) **SHUT OFF external gas supply shutoff valve.**

SECTION IV

SERVICE / PARTS INFORMATION

A. SERVICE

1. Service **must be** performed by a qualified trained technician, service agency, or gas supplier. If service is required, contact the reseller from whom the **ADC** equipment was purchased. If the reseller **cannot** be contacted or is unknown, contact the **ADC** Service Department for a reseller in your area.

NOTE: When contacting the **ADC** Service Department, be sure to give them the correct **model number** and **serial number** so that your inquiry is handled in an expeditious manner.

B. PARTS

1. Replacement parts **should be** purchased from the reseller from whom the **ADC** equipment was purchased. If the reseller **cannot** be contacted or is unknown, contact the **ADC** Parts Department for a reseller in your area. Parts may also be purchased directly from the factory by calling the **ADC** Parts Department at +1 (508) 678-9000 or you may FAX in your order at +1 (508) 678-9447.

NOTE: When ordering replacement parts from the **ADC** reseller or the **ADC** factory be sure to give them the correct **model number** and **serial number** so that your parts order can be processed in an expeditious manner.

SECTION V

WARRANTY INFORMATION

A. RETURNING WARRANTY CARDS

Before any dryer leaves the **ADC** factory test area, a warranty card is placed on the back side of the main door glass. These warranty cards are intended to serve the customer where we record the individual installation date and warranty information to better serve you should you file a warranty claim.

If a warranty card did not come with your dryer, contact the **ADC** Warranty Department or the **ADC** Service Department at +1 (508) 678-9000.

IMPORTANT: A separate warranty card *must be* completed and returned for each individual dryer.

NOTE: Be sure to include the installation date when returning the warranty card(s).

B. WARRANTY

For a copy of the **ADC** commercial warranty covering your particular dryer(s), contact the **ADC** reseller from whom you purchased the equipment and request a dryer warranty form. If the reseller **cannot** be contacted or is unknown, warranty information can be obtained from the factory by contacting the **ADC** Warranty Department at +1 (508) 678-9000.

NOTE: Whenever contacting the **ADC** factory for warranty information, be sure to have the dryer's **model number** and **serial number** available so that your inquiry can be handled in an expeditious manner.

C. RETURNING WARRANTY PARTS

ALL dryer or parts warranty claims or inquiries **should be** addressed to the **ADC** Warranty Parts Department. To expedite processing, the following procedures **must be** followed:

1. No parts are to be returned to **ADC** without prior written authorization (“Return Material Authorization” [R.M.A.]) from the factory.

NOTE: An R.M.A. is valid for only thirty (30) days from date of issue.

- a. The R.M.A. issued by the factory, as well as any other correspondence pertaining to the returned part(s), **must be** included inside the package with the failed merchandise.

2. Each part **must be** tagged with the following information:
 - a. **Model number** and **serial number** of the dryer from which part was removed.
 - b. Nature of failure. (Be specific.)
 - c. Date of dryer installation.
 - d. Date of part failure.
 - e. Specify whether the part(s) being returned is for a replacement, a credit, or a refund.

NOTE: If a part is marked for a credit or a refund, the invoice number covering the purchase of the replacement part **must be** provided.

NOTE: Warranty tags (ADC Part No. 450064) are available at “no charge” from ADC upon request.

3. The company returning the part(s) must clearly note the complete company name and address on the outside of the package.
4. **ALL** returns **must be** properly packaged to ensure that they are not damaged in transit. *Damage claims are the responsibility of the shipper.*

IMPORTANT: No replacements, credits, or refunds **will be** issued for merchandise damaged in transit.

5. **ALL** returns **should be** shipped to the ADC factory in such a manner that they are insured and a proof of delivery can be obtained by the sender.
6. **Shipping charges are not the responsibility of ADC. ALL returns should be “prepaid” to the factory. Any “C.O.D.” or “COLLECT” returns will not be accepted.**

IMPORTANT: No replacements, credits, or refunds **will be** issued if the claim **cannot** be processed due to insufficient information. The party filing the claim **will be** notified in writing, either by “FAX” or “CERTIFIED MAIL – Return Receipt Requested,” as to the information necessary to process claim. If reply **is not** received by the ADC Warranty Department within thirty (30) days from the FAX/letter date, then no replacements, credits, or refunds **will be** issued, and the merchandise **will be** discarded.

SECTION VI

ROUTINE MAINTENANCE

A. CLEANING

A program and/or schedule **should be** established for periodic inspection, cleaning, and removal of lint from various areas of the dryer, as well as throughout the ductwork system. The frequency of cleaning can best be determined from experience at each location. Maximum operating efficiency is dependent upon proper air circulation. The accumulation of lint can restrict this airflow. If the guidelines in this section are met, an ADC dryer will provide many years of efficient, trouble free, and most importantly, safe operation.

WARNING: LINT FROM MOST FABRICS IS HIGHLY COMBUSTIBLE. THE ACCUMULATION OF LINT CAN CREATE A POTENTIAL FIRE HAZARD.

WARNING: KEEP DRYER AREA CLEAR AND FREE FROM COMBUSTIBLE MATERIALS, GASOLINE, AND OTHER FLAMMABLE VAPORS AND LIQUIDS.

NOTE: Suggested time intervals shown are for average usage, which is considered six (6) to eight (8) operational (running) hours per day.

IMPORTANT: The dryer produces combustible lint and *must be* exhausted to the outdoors. Every 6 months, inspect the exhaust ducting and remove any lint buildup.

CLEAN LINT FROM LINT DRAWER/SCREEN EVERY THIRD OR FOURTH LOAD.

NOTE: The frequency of cleaning the lint screens can best be determined from experience at each location.

WEEKLY

Clean lint accumulation from the lint chamber, thermostat, and microprocessor temperature sensor (sensor bracket) area.

WARNING: TO AVOID HAZARD OF ELECTRICAL SHOCK, DISCONTINUE ELECTRICAL POWER SUPPLY TO THE DRYER.

90 DAYS

Remove lint from around tumbler, motors, and surrounding areas. Remove lint from the gas valve burner area with a dusting brush or vacuum cleaner attachment.

Impellor (fan/blower) shaft bearings **should be** lubricated using Shell Alvania grease NLGI 2 or its equivalent. Generically, this grease would be described as an NLGI grade 2 multipurpose industrial grease with a lithium thickener and mineral base oil.

Check to make sure that the setscrews on the impellor/fan shaft bearings are tight.

NOTE: To prevent damage, avoid cleaning and/or touching the Direct Spark Ignitor.

6 MONTHS

Inspect and remove lint accumulation in customer furnished exhaust ductwork system and from dryer's internal exhaust ducting.

NOTE: THE ACCUMULATION OF LINT IN THE EXHAUST DUCTWORK CAN CREATE A POTENTIAL FIRE HAZARD.

NOTE: DO NOT OBSTRUCT THE FLOW OF COMBUSTION AND VENTILATION AIR. CHECK CUSTOMER FURNISHED BACK DRAFT DAMPERS IN THE EXHAUST DUCTWORK. INSPECT AND REMOVE ANY LINT ACCUMULATION, WHICH CAN CAUSE THE DAMPER TO BIND OR STICK.

NOTE: A back draft damper that is sticking partially closed can result in slow drying and shut down of the heat circuit safety switches or thermostats.

NOTE: If the hi-limit trips due to a high temperature occurrence, you must disconnect power before resetting. To reset, press and release the reset button, which is located on the left side of the burner box, looking at the box from the back of the dryer.

NOTE: When cleaning the dryer cabinet(s), avoid using harsh abrasives. A product intended for the cleaning of appliances is recommended.

Check ALL V-belts for tightness and wear. Retighten, realign, or replace if required.

NOTE: V-belts *should be* replaced in matched sets (pairs).

B. ADJUSTMENTS

7 DAYS AFTER INSTALLATION AND EVERY 6 MONTHS THEREAFTER

Inspect bolts, nuts, screws, (bearing setscrews), grounding connections, and nonpermanent gas connections (unions, shutoff valves, and orifices). Fan (impellor) V-belts, along with the motor and drive belts **should be** examined and replaced if necessary. Tighten loose V-belts when necessary. Complete an operational check of controls and valves. Complete an operational check of ALL safety devices (i.e., door switches, lint drawer switch, sail switch, and hi-limit thermostats).

NOTE: Squirrel cage type fan (impellor) on the blower motor **must be** inspected and cleaned every 6 months.

C. LUBRICATION

The fan shaft bearings and ALL the tumbler drive shaft and idler shaft bearings **must be** lubricated every 3 months. Use a #2 grease or its equivalent (Magnalube-G Teflon® grease with an operating range of -40° F to 530° F). Lubrication is necessary or premature bearing failure will be the result.

The motor bearings are permanently lubricated and **DO NOT** require to be serviced.

SECTION VII

MANUAL RESET BURNER HI-LIMIT INSTRUCTIONS

A. PHASE 7

This dryer was manufactured with a manual reset burner hi-limit thermostat, which is monitored by the Phase 7 computer. If the burner hi-limit is open prior to the start of the drying cycle, the dryer will start momentarily and then shut down, the Phase 7 computer will display “BURNER HIGH LIMIT FAULT” with an audio indication.

If the burner hi-limit opens during a drying cycle, the Phase 7 computer will also display the same error code described above, along with an audio indication. If the drum temperature is above 100° F (38° C), the dryer will continue to run with no heat for 3 minutes or until the drum temperature has dropped below 100° F (38° C). The CLEAR/STOP button on the Phase 7 keypad **must be** pressed to clear the error condition.

B. DUAL TIMER

This dryer was manufactured with a manual reset burner hi-limit thermostat. If the burner hi-limit is open prior to the start of the drying cycle, or during the cycle, the dryer will not recognize the open state of the burner hi-limit and will start or continue through the drying cycle with no heat. Manual reset hi-limit **must be** reset manually.

This hi-temperature condition may be caused due to a restricted exhaust, poor airflow, or improper burner operation.

The location of the burner hi-limit is on the right side of the burner box, looking at the burner from the back of the dryer.

WARNING: Discontinue power to dryer before attempting to reset hi-limit.

IMPORTANT IMPORTANT IMPORTANTE

HEATING UNIT IS EQUIPPED WITH A HI-LIMIT
THERMOSTAT WHICH *MUST BE RESET MANUALLY.*

WARNING - DISCONTINUE POWER TO DRYER
BEFORE ATTEMPTING TO RESET HI-LIMIT.

L'ÉLÉMENT CHAUFFANT EST ÉQUIPÉ D'UN THERMOSTAT À
LIMITE MAXIMALE QUI *DOIT ÊTRE RÉGLÉ MANUELLEMENT.*

MISE EN GARDE - COUPER LE COURANT D' ALIMENTATION DU
SÈCHE-LINGE AVANT DE RÉGLER LA LIMITE MAXIMALE.

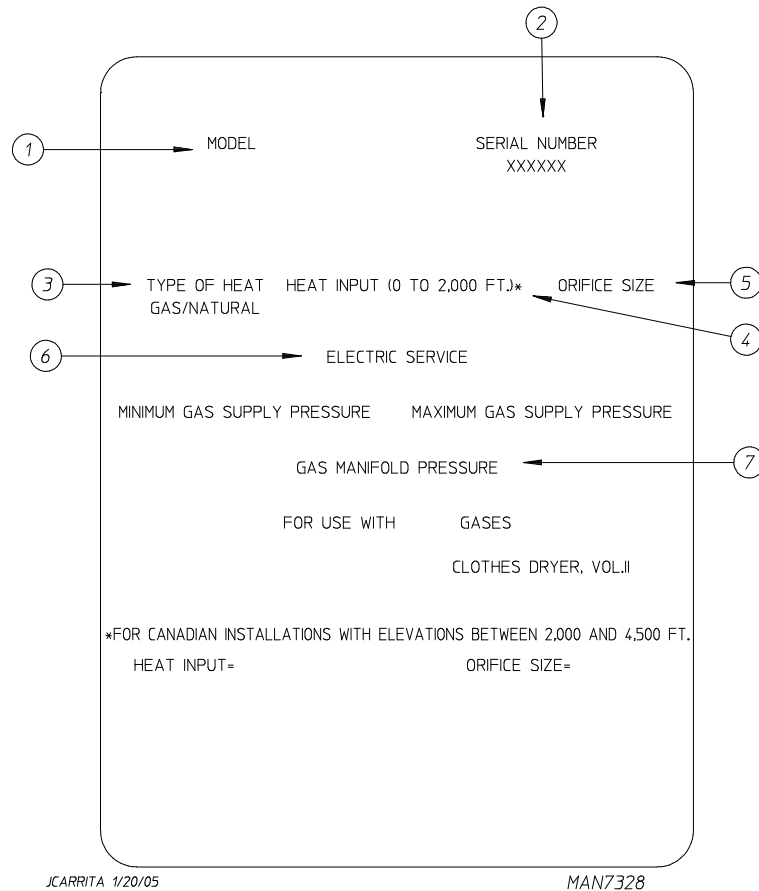
LA UNIDAD DE CALENTAMIENTO ESTÁ EQUIPADA CON UN TERMOSTATO
DE LÍMITE SUPERIOR *QUE DEBE REINICIARSE MANUALMENTE.*

ADVERTENCIA - DESCONECTE LA ALIMENTACIÓN ELÉCTRICA
A LA SECADORA ANTES DE REINICIAR EL LÍMITE SUPERIOR.

ADC P/N: 114076

SECTION VIII

DATA LABEL INFORMATION



When contacting **ADC**, certain information is required to ensure proper service/parts information from **ADC**. This information is on the dryer data label that is affixed to the right electrical control panel. When contacting **ADC** please have the **model number** and **serial number** available.

1. **Model Number** – This describes the style of dryer and type of heat (gas, electric, or steam).
2. **Serial Number** – Allows the manufacturer to gather information on your particular dryer.
3. **Type of Heat** – This describes the type of heat for your particular dryer, gas (either natural gas or L.P. gas), electric, or steam.
4. **Heat Input** (For Gas Dryers) – This describes the heat input in British thermal units per hour (Btu/hr) or kilowatts (kW).
5. **Orifice Size** (For Gas Dryers) – Gives the number drill size used.
6. **Electric Service** – This describes the voltage and current rating for a particular model.
7. **Gas Manifold Pressure** (For Gas Dryers) – This describes the manifold pressure taken at the gas valve tap.

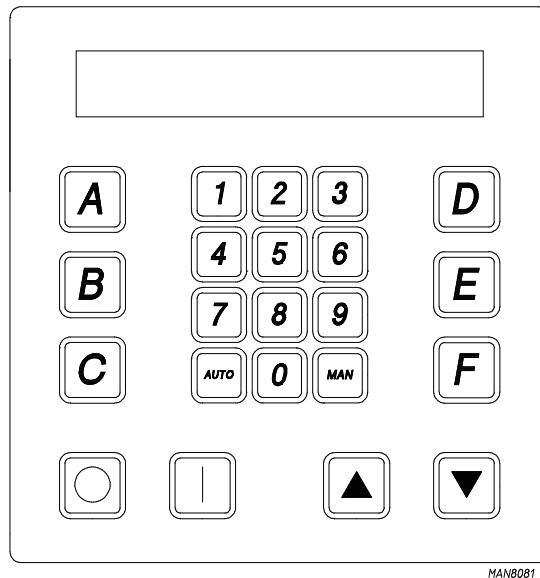
SECTION IX

PROCEDURE FOR FUNCTIONAL CHECK

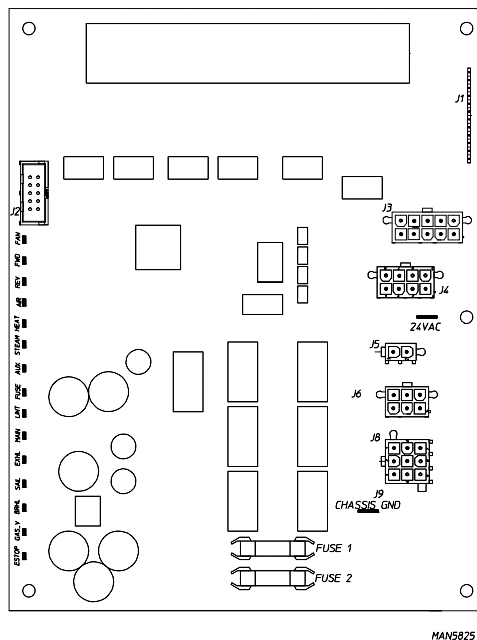
OF REPLACEMENT COMPONENTS

1. Microprocessor Controller (Computer) Board

- a. Upon completing installation of the replacement microprocessor controller (computer) board, reestablish power to the dryer.
- b. Start the drying cycle by pressing any of the preset cycles in letters A-F.



- c. Verify that the applicable indicator lights on the microprocessor controller (computer) board are lit. (Refer to the **illustration below.**)



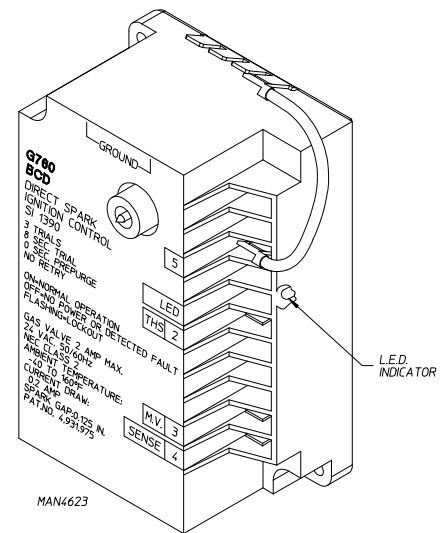
2. For Models with Direct Spark Ignition (DSI) Module (Type I)

Theory of Operation:

Start the drying cycle. When the gas burner ignites within the chosen trial for ignition time (6-seconds), the flame sensor detects gas burner flame and signals the DSI module to keep the gas valve open as long as there is a call for heat. The DSI module will “LOCKOUT” if the gas burner flame is not sensed at the end of the trial for ignition period. The trial for ignition period will be repeated for a total of three (3) retries/trials (the initial try and two [2] more retries/trials). If the flame is not sensed at the end of the third retry/trial (inter-purge period of 30-seconds) the DSI module will “LOCKOUT” (light emitting diode [L.E.D.] diagnostic indicator flashes).

A steady L.E.D. indicator indicates normal operation.

No L.E.D. indicator indicates a power or an internal failure has occurred.



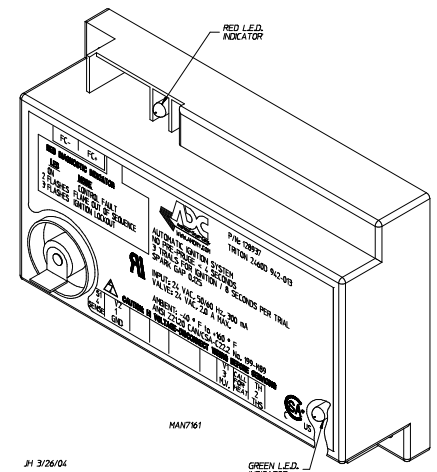
3. For Models with DSI Module (Type II)

Theory of Operation:

Start the drying cycle. When the gas burner ignites within the chosen trial for ignition time (8-seconds), the flame sensor detects gas burner flame and signals the DSI module to keep the gas valve open as long as there is a call for heat. The DSI module will “LOCK OUT” if the gas burner flame is not sensed at the end of the trial for ignition period. The trial for ignition period will be repeated for a total of three (3) retries/trials (the initial try and two [2] more retries/trials). If the flame is not sensed at the end of the third retry/trial (inter-purge period of 30-seconds), the DSI module will “LOCK OUT” (a red L.E.D. diagnostic indicator will flash).

An unlit red L.E.D. diagnostic indicator indicates normal operation.

A lit green L.E.D. diagnostic indicator indicates dryer controller is calling for heat and that **ALL** interlocks have been satisfied.



SECTION X

PROGRAMMING

To Enter Programming Mode
Press **0** And **▲** Keys Together

To Exit Programming Mode Press **0** Multiple Times
Until Display Returns to "Ready".

0:	SELECT LANGUAGE
1:	SELECT SYSTEM PARAMETERS
0:	DRYER SETUP
0:	SELECT MODEL
1:	SYSTEM TEMP
2:	ENTER LINT COUNT 1 TO 5
3:	ENTER AUDIO ALERT ON TIMES 0 TO 10
4:	ROTATION SENSOR
1:	REVERSING SETUP
0:	ENTER SPIN TIME 30 TO 120 SECONDS
1:	ENTER STOP TIME 5 TO 10 SECONDS
2:	WRINKLE GUARD SETUP
0:	WRINKLE GUARD AUDIO ALERT
3:	STEAM INJECTION SETUP
2:	PROGRAM A - F CYCLES
2:	ENTER A - F
2:	SELECT CYCLE TYPE
2:	AUTO
0:	REVERSE MODE
1:	ENTER DRY TEMP 160 (71) TO 200 F (94 C) *
2:	ENTER DRYNESS LEVEL
3:	ENTER CYCLE ADJUSTMENT VALUE 0 TO 99
4:	CONTROLLED COOL DOWN
5:	ENTER COOL DOWN TIME 0 TO 99 MINUTES
6:	ENTER COOL DOWN TEMP 70 (21) TO 100 F (38 C)
2:	MANUAL
0:	REVERSE MODE
1:	ENTER DRY TIME 0 TO 99 MINUTES
2:	ENTER DRY TEMP 100 (38) TO 200 F (94 C) *
3:	CONTROLLED COOL DOWN
4:	ENTER COOL DOWN TIME 0 TO 99 MINUTES
5:	ENTER COOL DOWN TEMP 70 (21) TO 100 F (38 C)
6:	STEAM INJECTION
3:	PROGRAM 0 - 40 CYCLES
3:	ENTER 0 - 40
3:	SELECT CYCLE TYPE
3:	AUTO
0:	REVERSE MODE
1:	ENTER DRY TEMP 160 (71) TO 200 F (94 C) *
2:	ENTER DRYNESS LEVEL
3:	ENTER CYCLE ADJUSTMENT VALUE 0 TO 99
4:	CONTROLLED COOL DOWN
5:	ENTER COOL DOWN TIME 0 TO 99 MINUTES
6:	ENTER COOL DOWN TEMP 70 (21) TO 100 F (38 C)
3:	MANUAL
0:	REVERSE MODE
1:	ENTER DRY TIME 0 TO 99 MINUTES
2:	ENTER DRY TEMP 100 (38) TO 200 F (94 C) *
3:	CONTROLLED COOL DOWN
4:	ENTER COOL DOWN TIME 0 TO 99 MINUTES
5:	ENTER COOL DOWN TEMP 70 (21) TO 100 F (38 C)
6:	STEAM INJECTION
4:	DEFAULT SETTING FAULT HISTORY
5:	SAFE SYSTEM VALVE TEST OR 0 + ▲
DISPLAY: 0 SAFE TEMP ▲ TUMBLER TEMP ▼ CTL VAC / RPM	
* 160 F (71 C) MAXIMUM TEMP ON AXIAL MODELS	

SAIL SWITCH CLOSED FAULT – Sail switch is closed – should be open at the start of a cycle.

SAIL SWITCH OPEN FAULT – Sail switch remained open after the cycle started. Should have closed.

BURNER HIGH LIMIT FAULT – Burner temp. disk has opened.

BURNER IGNITION CONTROL – No signal to gas valve from (DSI) module during trial for ignition time. DSI module is bad.

IGNITION FAULT – Gas valve did not remain open after trial for ignition. Indicates that no flame was detected.

FLAME FAULT – Flame was detected during trial for ignition but failed later.

ROTATION FAULT – Indicates the tumbler is not rotating.

OPEN EXHAUST TEMPERATURE PROBE – Indicates the exhaust temperature probe is open or shorted.

OPEN FIRE SUPPRESSION SYSTEM (F.S.S.) PROBE FAULT – Indicates the temperature probe for the F.S.S. is open or shorted.

LOW VOLTAGE FAULT – Volt dropped below the operating value.

EE PROM FAULT ### – Error in memory location. Fault correction:

Enter the program mode by pressing the UP and STOP keys.

Press "4" and ENTER keys in password "FAA" Press UP ARROW.

Press enter to confirm reset of EE PROM.

Inputs (Red L.E.D.s) All indications are with L.E.D. lit

ESTOP – Indicates E-STOP has been pressed.

GAS_V – Indicates the gas valve is open (ON).

BRHL – Indicates the burner high limit disk is closed (temperature below 330° F [166° C]).

SAIL – Indicates the sail switch is closed.

EXHL – Indicates the exhaust high limit disk is closed (temperature below 225° F [107° C]).

MAIN – Indicates the status of main door is closed.

LINT – Indicates the lint drawer is closed.

FUSE – Indicates the status of the control voltage after POWER ON button has been pressed.

Outputs (Green L.E.D.s) All indications are with L.E.D. lit

AUX – This is for a spare output to be programmed.

STEAM – Indicates the status of the steam injection output.

_HEAT – Indicates the status of the heat output.

AIR – Indicates the status of the air jet output.

REV – Indicates the status of the tumbler reverse direction output.

If the request to tumble the drum in the reverse direction is made, then the L.E.D. is ON.

FWD – This L.E.D. will indicate the status of the tumbler forward direction output.

FAN – This L.E.D. will indicate the status of the fan output.

Phase 7.2 Non-Coin Diagnostic Codes

MAIN DOOR OPENED – A main door or door circuit is open.

EXHAUST HIGH TEMP FAULT – Tumbler is above 220° F (104° C).

LINT ACCESS OPEN – Lint drawer or lint door circuit is open.

EXHAUST HIGH LIMIT FAULT – Temp. disk under tumbler is open.

NOTES _____

