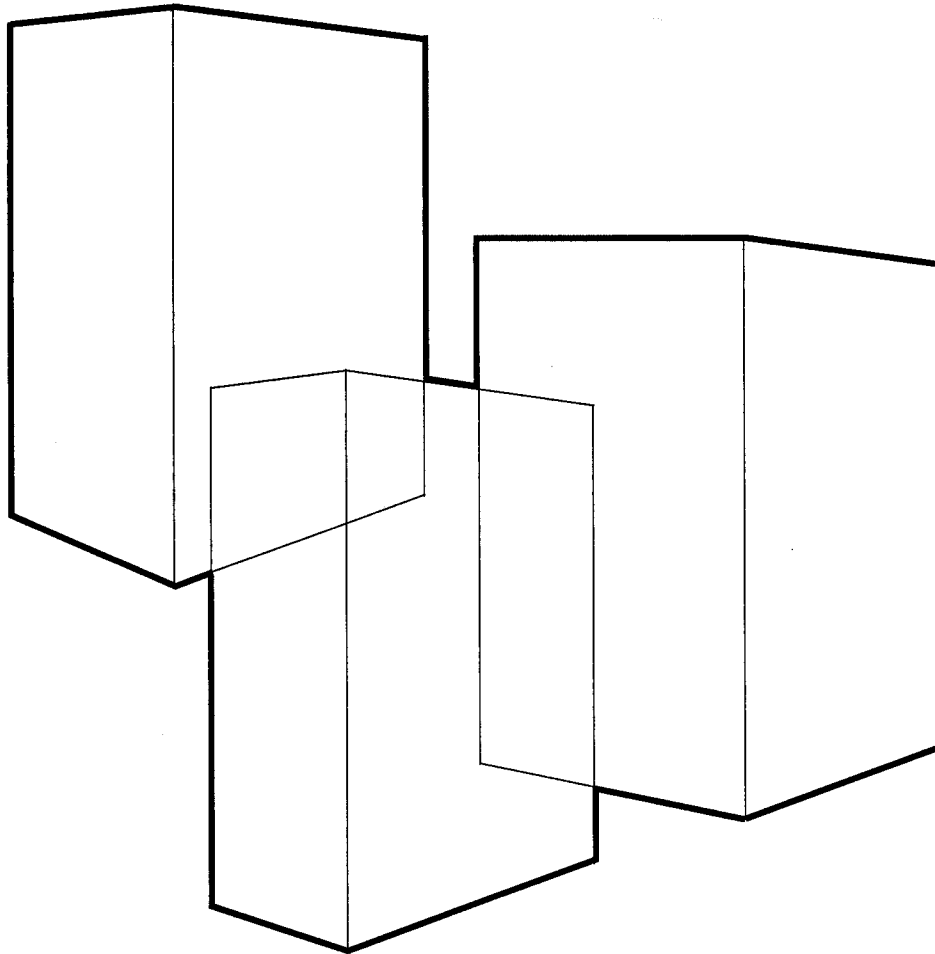


GAS
ELECTRIC
STEAM

REPRINT
1977
SERVICE MANUAL

MODELS

AD-15	AD-35
AD-20	AD-50
AD-25	AD-60
AD-30	AD-65



A COMPLETE LINE OF CLOTHES DRYING TUMBLERS

ADC
American Dryer Corp.
88 CURRANT ROAD / FALL RIVER, MA 02720-4781
TELEPHONE: (508) 678-9000 / FAX (508) 678-9447
e-mail address: service@amdry.com

Installation / Service / Parts

Retain This Manual In A Safe Place For Future Reference

American Dryer Corporation products embody advanced concepts in engineering, design, and safety. If this product is properly maintained, it will provide many years of safe, efficient, and trouble-free operation.

ONLY properly licensed technicians should service this equipment.

OBSERVE ALL SAFETY PRECAUTIONS displayed on the equipment or specified in the installation/operator's manual included with the dryer.

WARNING: UNDER NO CIRCUMSTANCES should the door switch or the heat circuit devices ever be disabled.

WARNING: The dryer must never be operated with any of the back guards, outer tops, or service panels removed. PERSONAL INJURY or FIRE COULD RESULT.

We have tried to make this manual as complete as possible and hope you will find it useful. ADC reserves the right to make changes from time to time, without notice or obligation, in prices, specifications, colors, and material, and to change or discontinue models.

Important

For your convenience, log the following information:

DATE OF PURCHASE _____ MODEL NO. _____

DISTRIBUTORS NAME _____

Serial Number(s) _____

Replacement parts can be obtained from your distributor or the ADC factory. When ordering replacement parts from the factory, you can FAX your order to ADC at (508) 678-9447 or telephone your orders directly to the ADC Parts Department at (508) 678-9010. Please specify the dryer **model number** and **serial number** in addition to the **déscription** and **part number**, so that your order is processed accurately and promptly.

The illustrations on the following pages may not depict your particular dryer exactly. The illustrations are a composite of the various dryer models. Be sure to check the descriptions of the parts thoroughly before ordering.

INSTRUCTIONS TO BE FOLLOWED IN THE EVENT THE USER SMELLS GAS MUST BE POSTED IN A PROMINENT LOCATION. THE INSTRUCTIONS TO BE POSTED SHALL BE OBTAINED FROM THE LOCAL GAS SUPPLIER.

IMPORTANT

YOU MUST DISCONNECT and LOCKOUT THE ELECTRIC SUPPLY and THE GAS SUPPLY or THE STEAM SUPPLY BEFORE ANY COVERS or GUARDS ARE REMOVED FROM THE MACHINE TO ALLOW ACCESS FOR CLEANING, ADJUSTING, INSTALLATION, or TESTING OF ANY EQUIPMENT per OSHA (Occupational Safety and Health Administration) STANDARDS.

FOR YOUR SAFETY

DO NOT STORE OR USE GASOLINE OR OTHER FLAMMABLE VAPOR AND LIQUIDS IN THE VICINITY OF THIS OR ANY OTHER APPLIANCE.

DO NOT DRY MOP HEADS IN THE DRYER.

DO NOT USE DRYER IN THE PRESENCE OF DRY CLEANING FUMES.

WARNING

CHILDREN SHOULD NOT BE ALLOWED TO PLAY ON OR IN THE DRYER(S).

CHILDREN SHOULD BE SUPERVISED IF NEAR DRYER(S) IN OPERATION.

CAUTION

DRYER(S) SHOULD NEVER BE LEFT UNATTENDED WHILE IN OPERATION.

IMPORTANT

PLEASE OBSERVE ALL SAFETY PRECAUTIONS displayed on the equipment and/or specified in the installation/operator's manual included with the dryer.

Dryer(s) must not be installed or stored in an area where it will be exposed to water and/or weather.

The wiring diagram for the dryer is located in the front electrical control box area.

PAGE NUMBER

SECTION I

Installation Procedures 1-1

SECTION II

Operational Procedures 2-1

Maintenance 2-1

SECTION III

Servicing 3-1

Trouble Chart 3-14

SECTION IV

Parts Manual 4-1

SECTION V

Technical Data

A. Exhaust System 5-2

B. Installation Connection Data 5-4

C. Orifice and Water Column Tables 5-6

D. Electric Ovens Selection Table 5-7

E. Electric Relay Replacement Table 5-8

SECTION I

INSTALLATION

Except where conditions do not allow, dryer should be handled in an upright position at all times. This unit should be installed by competent workmen in accordance with local and state codes.

UNCRATING DRYER. Remove carton or slatted crate, packing, and polyethylene cover from dryer. Dryer is fastened to the skid by four bolts. Remove skid by unscrewing these bolts. Two can be reached from the rear of the dryer, and two are located in the lint chamber. Slide the dryer off the skid. Remove the protective tape from the doors and sail switch if applicable. Read and follow instructions attached to the main door glass.

LOCATION OF DRYER. Position dryer with back about two feet from wall to allow room for ductwork, piping and maintenance. Level dryer using the four legs located in the base.

DRYER ENCLOSURE. Bulkheads and partitions should be made of non-combustible materials but must be located twelve inches above dryer top panel. (See Fig. 1, page 5-4.) Air considerations are important for adequate operation.

EXHAUST DUCT AND AIR INTAKE. See figures 1 and 2 on page 5-2 and 5-3 in the technical data section. Also see page 5-5 for duct locations.

ELECTRICAL CONNECTIONS. The only electrical connection necessary on the gas or the steam dryer is to the junction box or to the side of the wiring channel. See page 5-5. Use the wiring diagram on the inner side of the control door for connection data. Connect the power wiring as per the local code, (minimum #12 wire). Check the data plate for the correct voltage for your particular dryer. On the electric dryer, the only connections are to the relay in the relay box in the rear of the dryer. See the schematic on the relay cover for the proper connections. **CAUTION:** Use only copper cable for installation connections. The use of aluminum cable will void your warrantee.

Low voltage is a cause of motor overheating and failure. Be sure that your power supply is adequate. Overload protection and individual switches may be installed for each dryer. The motors are internally protected against overloading.

GAS CONNECTIONS: All dryers are provided with a 1/2" gas inlet. See page 5-5 for gas inlet locations. Check with your gas supplier for correct line size and pressure for your installation. A built-in pressure regulator reduces all line pressure to 3 1/2" W.C. at the burner manifold except for L.P. gas where pressure regulation is provided by the gas supplier.

A shut off cock and union should be provided at the rear of each dryer for service convenience. A pipe joint sealant compound resistant to liquefied petroleum gases should be used on all gas connections. The gas connections should be tested for leaks by the use of a soap and water solution. Dryers, as ordered from the factory, are equipped with the proper gas orifices and adjusted air mixture for the type of gas to be used. (See page 5-6, Table 1, 2, and 3.) If further mixture adjustment is necessary, rotate the air orifice plates until yellow color is at a minimum in the flame.

INSTALLATION INSTRUCTIONS FOR STEAM DRYERS

LOW PRESSURE

It is very important to realize that in the installation of low pressure steam dryers (nine to fifteen P.S.I.G.), that there is very little pressure to push the steam through the system. Therefore, in installation of from three to seven dryers we strongly recommend the following:

- a) a 3" pipe for main steam line
- b) a 2" pipe for return steam line
- c) a 1" pipe from main steam line to dryer
- d) a 1" pipe from dryer to return

Perhaps most important of all, the return line from coil of each dryer should be positioned for a gravity feed to condensate tank. A separate impulse trap and filter should be installed at each dryer. For efficiency, all steam and condensate lines should be well insulated. For proper flow of steam and condensate, piping should be planned and installed in accordance with good commercial steam system practices.

After the first day or two of operation, the filters should be cleaned out to remove any piping compound or other foreign material.

In event of slower drying, the following points should be checked:

- a) Pressure (10-15 P.S.I.G.)
- b) Filters and traps clean and working.
- c) Plumbing checked for proper flow of steam and condensate.
- d) Sufficient make up air at heat exchanger.
- e) Dryers properly exhausted.

A high pressure steam dryer is also available and is similar to the low pressure unit. Each coil has one 1" inlet and one 1/2" outlet and is rated for 125 P.S.I.G. maximum pressure.

For steam connections and exhaust location see page 5-5.

SECTION II

OPERATING INSTRUCTIONS

- LIGHTING PILOT:
- a) Turn on gas supply to the dryer.
 - b) Push and hold down red reset button on gas valve.
 - c) Light pilot and continue to hold down reset button thirty to forty-five seconds. Release reset button. The pilot should remain lit. If not, repeat steps b & c.
 - d) The main burner should now ignite from the pilot when the dryer is operated.
 - e) If for some reason the pilot goes out, a five minute complete shut-off period should be observed before relighting the pilot.
 - f) If the pilot does not light or stay lit after the repeated procedure, consult Section III of this manual.

All dryers are thoroughly tested and inspected before leaving our plant. However, a pre-operational test should be taken before the dryer is to be publicly used. It is possible that adjustments have changed in transit.

IMPORTANT: The tumbler of the dryer is treated with a protective coating. Tumble old clothes using a mild detergent to remove this coating.

MAINTENANCE

CLEANING: Be sure the snap action thermostats and door switches are kept free from lint accumulation. Clean lint from the bottom and walls of the lint chamber and from lint trap and lint screens at least once a week. These cleaning requirements are essential to efficient and safe operation. Lint from most fabrics is highly combustible.

LUBRICATION: Apply a drop of oil occasionally to the back draft damper pivots. See the instructions printed on the motor back plate for lubrication.

BELT ADJUSTMENT: Make belt adjustments periodically. See page 4-14. Do not remove belts.

- 1) Loosen bolts (7) and (8) and jam nut (1).
- 2) Advance screw (5) until belts are in proper tension.
- 3) Retighten bolts and jam nut.
- 4) Apply a belt conditioner periodically according to the container instructions.

SECTION III

SERVICING

GENERAL: All electrical service should be made with POWER-OFF. Any service tests requiring POWER-ON should be made only by fully guaranteed electricians.

ELECTRICAL COMPONENTS EXCLUDING THE MOTOR: Electrical switches and thermostats can be checked with an ohmeter connected in parallel to the component or to its leads on the terminal board if accessibility is not feasible. The snap action thermostats have normally closed contacts and open only when the preset temperature is reached. To test a snap action thermostat in the above manner, it must be determined whether the thermostat should be in a closed or an open position. Thermostats can fail in either the closed or open position.

INDICATOR LIGHT: This light indicates that the dryer is either on or off and is located in the upper right hand corner of the front panel.

TO REPLACE:

- a) Turn power off.
- b) Disconnect the indicator light leads from the terminal board.
- c) Remove the light from the front panel.
- d) Replace by reversing procedure.

ROCKER SWITCH: This switch is used for selection of temperature and is located on the front panel.

TO REPLACE:

- a) Turn power off.
- b) Remove switch from the front panel.
- c) Disconnect leads from the switch.
- d) Replace switch after connecting the leads as per the schematic on the control door.

ELECTRIC TIMER: This unit regulates time required to operate dryer and is located on the upper right hand corner of the front panel.

- TO REPLACE:
- a) Turn power off.
 - b) If only the clock is defective, hold the clock with your left hand and rotate counter-clockwise and remove. Replace new clock by rotating clockwise. (Not all timers have this feature and must be removed to gain access to screws.)
 - c) Disconnect the timer leads from the terminal board.
 - d) Loosen the screw in timer knob and remove.
 - e) Remove the hex nut which holds the timer to the front panel.
 - f) Remove timer from dryer through the wiring box, and replace with new unit if needed.
 - g) To attach timer to the dryer, reverse the removal procedure and connect wiring per the schematic located on inside of the control door.

COIN METER: The coin meter controls both the timing motor and dryer operation. Both units operate until the purchased time has expired. The coin meter is located on the upper right hand corner of the front panel, and is in the coinmeter vault on the 15# and 30# dryers. (See illustration pages 4-10, 4-24.)

- TO REPLACE:
- a) Turn power off.
 - b) Disconnect the leads of the coin meter (2) from the terminal board (5).
 - c) Unscrew the nylon extension nut (1). Rotate bottom of meter away from panel as shown by arrow.
 - d) Replace the unit if needed. If only a switch adjustment is needed refer to Greenwald literature.
 - e) Replace by reversing the removal procedure and connect wiring per the schematic located on inside of the control door.

MAIN DOOR SWITCH: This switch is located in the rear lower right hand corner of the front panel and breaks the motor and heating unit circuit when the main door is opened. The meter indicator light and pilot remain on. (See illustration page 4-10.)

- TO REPLACE
OR ADJUST:
- a) Turn power off.
 - b) Open lint door for accessibility to the main door switch.
 - c) If an adjustment is needed, loosen the two screws holding the main door switch (10). If the switch is defective, disconnect the wire leads from switch and replace.

- d) Position the door switch so that it will be activated by the actuator rod when the door is closed and tighten screws.
- e) Close the lint door.

LINT DOOR SWITCH (15, 20 & 25 lb. dryers only unless special ordered): This switch is located in the rear lower right hand corner of the front panel and breaks the motor and heating unit circuit when the lint door is opened. The meter indicator lights, and the pilot remain on. (See illustration page 4-10.)

TO REPLACE
OR ADJUST:

- a) Turn power off.
- b) Open the lint door for accessibility to the lint door switch (13).
- c) If an adjustment is needed, loosen the bezel nuts (14) holding the switch to the front panel. If the switch is defective, disconnect the wire leads from switch and replace.
- d) Adjust the rear bezel nut so the switch will be activated when the lint door is closed and tighten the front nut.
- e) Close the lint door.

TEMPERATURE CONTROL SNAP ACTION THERMOSTATS: These thermostats will open or close the circuit to the heating unit when their preset temperatures are reached. The thermostats are located under the right wrapper. (See illustration 4-9 or 4-31 for prior production. For current production see illustration page 4-35.)

TO REPLACE:

- BE SURE ELECTRICAL POWER IS OFF BEFORE ATTEMPTING TO REPLACE.
- a) Open Lint door for accessibility to the thermostat group.
 - b) Loosen screws (11), slide bracket assembly (2) to rear and pull away from support.
 - c) Disconnect the wiring to the defective thermostat and remove.
 - d) Remove screws (1) retaining defective thermostat (4) or (5) and remove thermostat.
 - e) Replace the thermostat by reversing the removal procedure.

HI HEAT OVERLOAD PROTECTOR: This thermostat will open the heating unit circuit if an excessive temperature occurs due to a failure of either of the excessive temperature control snap action thermostats. The clock, motor, indicator lights, and pilot will remain on. This thermostat is a hi temp protector and only operates on and off in the event the regular thermostats should fail. The dryer will operate at higher temperatures, and corrective measures should be taken. See Temperature Control Snap Action Thermostats in this section. (See illustration 4-9 or 4-31 for prior production. For current production see page 4-35.)

TO REPLACE: BE SURE ELECTRICAL POWER IS OFF BEFORE ATTEMPTING TO REPLACE.

- a) Follow same procedure as shown in this section for replacement of temperature control snap action thermostats.

HIGH LIMIT SNAP ACTION THERMOSTAT: This thermostat is located on the left side of the gas burner (see illustration page 4-18) and on the rear of the electric oven (see page 4-20). This thermostat serves as an added precaution against failure of the air switch to open in the event of a motor failure or a reduced draft condition.

TO REPLACE:

- a) Turn power off
- b) Remove the high limit thermostat cover (1).
- c) Disconnect the leads from the thermostat (4).
- d) Remove the screws (3) holding the thermostat (4).
- e) Replace by reversing the removal procedure.

SAIL SWITCH: This switch controls the burner circuit only and is located in the rear of the burner on the gas models and on the front of the oven on electric models. When the dryer is operating and there is a proper air flow, the sail switch damper is sucked in closing the circuit and the burners ignite. If an improper air flow occurs the damper will be released and the circuit will open. (See illustration page 4-30.)

TO REPLACE:

- a) Turn power off.
- b) Remove the two screws (13) which hold the sail switch box (10) to the rear of the burner box.
- c) Disconnect the leads from the sail switch (5).
- d) Remove the two screws (12) which hold the sail switch mounting bracket (6) to the sail switch box.
- e) Remove the two screws (4) which hold the sail switch to the sail mounting bracket.
- f) Replace by reversing the removal procedure.

TO ADJUST: With the dryer operating on heat, bend the actuator arm of the switch (5). Pull sail wire support arm (11) away from the burner to a vertical hanging position. The switch should open and extinguish the burner. Let the sail (9) return to the burner wall. The sail switch, should close to reignite the burner. Check the proper open position of the switch by opening the loading door and depressing the loading door switch to keep the machine operating. The burner should remain extinguished until the door is closed. CAUTION: Do not abort this switch by taping or screwing sail to burner. This switch should be checked periodically for proper opening to reduce the hazard of fire.

GAS VALVE SOLENOID: The solenoid is actuated by the snap action thermostats and turns the main burners on or off. This solenoid may not necessarily be defective if the main burners do not go on. (See illustration page 4-18, and paragraph H page 3-17.)

TO REPLACE:

- a) Turn power off.
- b) If applicable disconnect the solenoid wire leads from the terminal board and remove the BX fitting (28) from the wiring box, (earlier production models).
- c) Remove the four screws which hold the solenoid (29) to the valve body (31).
- d) If applicable remove the BX (27) off the wires of the defective solenoid and on to the wires of the new solenoid.
- e) Replace new solenoid utilizing a new gasket and reversing the removal procedure.
- f) Check for gas leakage with a soapy solution.

PILOT: The pilot operates as follows: the thermocouple when heated holds the automatic valve open. If the pilot blows out, the thermocouple cools, and closes the pilot valve. This prevents the gas from being turned on without igniting. If the pilot will not remain lit, check the thermocouple output. If this is adequate, then the pilot valve is defective. If the pilot flame is very low, the pilot line filter may need to be replaced. (See illustration page 4-18.)

TO REPLACE:

- a) Turn power off.
- b) Disconnect the thermocouple (16) and the pilot gas supply line (17) from the pilot valve (30).
- c) Remove the four screws which hold the pilot valve to the valve body (31).
- d) Replace with new automatic pilot reset valve utilizing a new gasket and reversing the removal procedure.

THERMOCOUPLE: The thermocouple should generate a minimum of 15 millivolts to keep the pilot reset valve open. In normal operation it generates 20 to 25 millivolts. If the output of the thermocouple is low, it should be replaced. Millivoltmeters are available. (See parts price list part number 168000.) (See illustration page 4-18.)

- TO REPLACE:
- a) Turn power and gas off.
 - b) Disconnect the thermocouple (16) and the pilot gas supply line (17).
 - c) Remove the two screws (23).
 - d) Work pilot burner assembly (14) free through the opening between the main burners (11).
 - e) Remove the thermocouple and replace by reversing the above procedure.

PRESSURE REGULATOR: All gas dryers are equipped with pressure regulators, except L.P. gas dryers. The pressure regulator insures that the rate of gas consumption is constant. The pressure regulator is preset to 3 1/2" W.C. manifold pressure for natural gas. There is a manifold pressure tap just below the solenoid. Remove the plug and connect a manometer or pressure gauge. A pressure gauge is available from the factory (P/N 168100). To adjust manifold pressure remove cap screw from the regulator well. Turn the slotted head adjustment screw in the well clockwise to increase manifold pressure (counter clockwise to decrease pressure). Replace cap screw. A conversion kit to modify the gas valve, burner and pilot to utilize a different gas is available from the factory.

BURNER ASSEMBLY: The main burners themselves should need no attention during the life of the dryer. But if there is any change in the rating of the gas BTU per cubic foot or specific gravity, the pilot and main burner orifice may have to be changed. If converting any dryer from one gas to another such as natural gas to L.P. gas or L.P. gas to manufactured gas, the pilot orifice and the main burner orifice will have to be changed according to Tables 1 and 2 in Section V. A filter on the pilot gas supply line is required on some models. Field kits are available from the factory to make these conversions. (See illustration page 4-18.)

TO REPLACE THE
MAIN BURNER ORIFICES:

- a) Turn gas supply and power off.
- b) Disconnect the gas supply line and remove the two screws (5) holding the pipe bracket (9) on the front right hand side of the burner box (8).
- c) Remove the two screws (5) holding the manifold bracket (25) to the front of the burner box.
- d) Disconnect the thermocouple (16) and the pilot gas supply line (17) from the pilot valve (30).
- e) Pull the valve and manifold (26) assembly forward and unscrew the main burner orifices (22) and replace. (See Table No. 1 in Section V.)

- f) Reverse the removal procedure for re-installing.

PILOT ORIFICE: The small opening of the pilot orifice can easily be clogged if there is any foreign matter in the line. It is possible to clean the orifice by using compressed air or washing out. If this fails the orifice should be replaced. The size is stamped on the side of the orifice. (See Table No. 2 in Section V. See Page 3-10 for Pilot Orifice replacement.)

DO NOT USE ANY INSTRUMENTS OR TOOLS TO CLEAN ORIFICES.

MOTOR: All motors are equipped with internal thermal overload protection, which stops the motor whenever it becomes overheated. Causes of possible overheating are: overloading tumbler, restricted air circulation around the motor, lint blockage of motor frame vents. If the motor overheats, corrective action must be taken. If a motor is suspected of being defective, remove drive belt, remove the plate on the back of the motor and connect motor directly to the line voltage. (See illustration Page 4-12.)

TO REPLACE:

- a) Turn power off.
- b) Remove the V-belt (5) from the motor (9).
- c) Disconnect the wiring harness (4) from the motor.
- d) Remove the four nuts (11) holding the motor mount to the dryer and remove.
- e) Remove the two nuts (18) on the motor shaft (L.H. thread-turn clockwise) and work impeller (16) free from motor shaft by means of an impeller puller (Part #880400) to prevent damage to the motor shaft.
- f) Loosen set screw on the sheave (6) and remove the sheave and key (7).
- g) Remove the four bolts (2) holding the motor to the motor mount and replace with a new motor by reversing the removal procedure. See page 3-12 for belt adjustment if required.

IMPELLER: The impeller is fastened to the motor shaft and should need no replacement for the life of the dryer unless damaged.

TO REPLACE: Follow motor replacement procedure steps d & g.

VERTICAL ALIGNMENT OF
TUMBLER:

(See illustrations page 4-15/4-16.)

- a) Loosen the four bolts (6)/(9) on the sides of the bearing box (9)/(11).
- b) Back off jam nuts (5)/(7) on adjustment screws (8)/(12).
- c) Turn the screws (8)/(12) clockwise evenly to raise tumbler or counter clockwise to lower tumbler.

- d) Rotate tumbler from front and check alignment with opening.
- e) Leave a larger gap from the inside rim of the front panel opening to the basket on the top and a smaller gap on the bottom to compensate for the additional weight of clothing.
- f) Tighten the two bolts (6)/(9) on the sides of the bearing box and tighten the jam nuts to the adjustment bolts.
- g) Check tumbler drive belt for proper tension. Adjust if required.

LATERAL ALIGNMENT
OF TUMBLER:

30#, 35#, 50#, 60# and 65# Only.

- a) Loosen the two bolts (4) 1/2-1 turn holding the pillow block bearing (6) to the bearing box (11).
- b) Back off the jam nuts (7) on the side adjustment bolts (10). Adjust bolts to move the tumbler laterally. Rotate tumbler from front and check alignment with opening. The spacing between the tumbler and the inside rim of the front panel should be equal.
- c) Tighten the bolts holding the pillow block bearing and tighten the jam nuts on the adjustment bolts.

TO REPLACE TUMBLER
OR TUMBLER SUPPORT:

(See illustrations page 4-10/4-35.)

1. REMOVAL OF FRONT PANEL

- a) Turn power off and disconnect the meter (2) or the timer wires from the terminal board.
- b) Disconnect the push button wiring harness from the terminal board (earlier models). Disconnect the rocker switch (16) and indicator light leads (15).
- c) Disconnect plug (10) to thermostat group and disconnect wire leads from thermostat and door switch(es) at terminal board, or...
- d) Disconnect the two leads coming from the rear of the dryer to the switch(es) (10).
- e) Remove the two screws (3) on the top corner of the front panel (5).
- f) Remove the two screws (3) in the control door chamber.
- g) Remove the four screws (6) on the front panel. Remove front panel.

2. REMOVAL OF BACKGUARD

- a) Remove nuts (4).
- b) Remove backguard (5).

3. REMOVAL OF THE 18" PULLEY

(See illustration page 4-15.)

- a) Rotate pulley (11) and roll V-belt (10) out of groove.
- b) Remove bolt (6) from the back of pulley.
- c) Loosen pulley set screws.
- d) Remove pulley and key (12).
- e) Replace by reversing removal procedure.

4. REMOVAL OF TUMBLER ASSEMBLY AND TUMBLER SUPPORT

(See illustration page 4-15/4-16.)

- a) Loosen the two set screws on both bearings (4) (page 4-15) (15#, 20# and 25# dryers) and remove ring from shaft. These can be reached through the opening on bottom of bearing housing, or...
- b) Loosen the two set screws on both bearings (1)/(6) (page 4-16) (30#, 35#, 50# and 60# dryers). The two set screws on the pillow block bearing (6) can be reached from the top of the bearing. The two set screws on the 1 3/8" flange bearing (1) can be reached through the opening on bottom of bearing housing.
- c) Remove the tumbler and the tumbler support assembly from the dryer. If the tumbler cannot be removed freely, strike the end of the shaft with a mallet and block to move shaft past burrs made by set screws. NEVER STRIKE END OF SHAFT WITH A HAMMER DIRECTLY.
Remove tumbler.

5. REMOVAL OF TUMBLER FROM TUMBLER SUPPORT

(See illustration page 4-17.)

- a) Remove screw (5) in the center of tumbler backwall (4).
- b) Remove tie rods (6).
- c) Replace either tumbler (4) or tumbler support (3).
- d) Reverse the removal procedure for re-installing.

BEARINGS: Bearings are sealed and need no lubrication. If replacement is needed follow the replacement instruction outlined on the next page for the faulty bearing.

TO REPLACE THE REAR 1" FLANGE BEARING:

(15#, 20# and 25# Dryers) (See illustration page 4-15.)

- a) Follow steps 2 and 3 of the replacement of tumbler and tumbler support.
- b) Remove the three nuts (5) holding rear flange bearing (4) to bearing housing (9).
- c) Loosen the two set screws on the rear flange bearing (4), and remove.

TO REPLACE THE FRONT 1 1/4" FLANGE BEARING:

(15#, 20# and 25# Dryers) (See illustration page 4-15.)

- a) Follow steps a through c, from replacement of 1 1/4 " flange bearing.
- b) Remove the four bolts (6) on the sides of bearing housing (9) and remove.
- c) Remove the three nuts (5) holding the front flange bearing to dryer.
- d) Loosen the two set screws on the front flange bearing (4) and remove.
- e) Reverse the removal procedure for re-installing.
- f) Realign tumbler. (See tumbler alignment page 3-8.)

TO REPLACE THE REAR PILLOW BLOCK BEARING:

(30#, 35#, 50#, 60# and 65# Dryers) (See illustration page 4-16.)

- a) Follow steps 2 and 3 from replacement of the tumbler and tumbler support.
- b) Loosen jam nuts (7) and adjustment screws (10).
- c) Loosen set screws from rear bearings (6).
- d) Remove the two bolts (4) holding the pillow block bearing (6) to bearing housing (11) and remove.
- e) Replace by reversing the removal procedure.

TO REPLACE THE 1 3/8" FRONT FLANGE BEARING:

(30#, 35#, 50#, 60# and 65# Dryers) (See illustration page 4-16.)

- a) Follow steps a through d from replacement of the rear pillow block bearing.
- b) Remove the four bolts (9) on the sides of the bearing housing (11) and remove.
- c) Remove the four nuts (3) holding the front flange bearing (1) to the dryer.
- d) Loosen the two set screws on the front flange bearing (1) and remove.

- e) Replace and reverse the removal procedure for reinstalling.
- f) Realign tumbler. (See tumbler alignment in this section.)

V-BELTS: V-Belts should have a proper tension. If too loose they will slip, if too tight, excessive wear on the bearings results. If the pulleys are not properly aligned, excessive belt wear results.

TO ALIGN BELTS: (See illustration page 4-12.)

- a) Loosen set screw on motor sheave (6). Since the 18" pulley should be flush with the end of the shaft and the idler pulley is self aligning, position the motor sheave so belts ride evenly on pulleys.
- b) Reposition key as required and tighten set screw.

BELT TENSION ADJUSTMENT: (See illustration page 4-14.)

- a) Loosen the two bolts (7)(8) on the adjustment block (6).
- b) Back off jam nut (1) on the adjustment screw (5) and loosen/tighten screw to relax/increase belt tension.
- c) Tighten bolts on adjustment block.
- d) Tighten jam nut on the adjustment block.

18" PULLEY: Replacement of the 18" pulley is explained under tumbler and tumbler support page 3-9.

IDLER PULLEY: (See illustration page 4-14.)

- a) Rotate 18" pulley and roll belt (9) out of groove.
- b) Rotate idler pulley (10) and roll belt (12) out of groove.
- c) Remove idler pulley from shaft.
- d) Replace by reversing removal procedure.

REPLACEMENT OF MAIN DOOR GLASS AND GASKET:

(See illustration page 4-4.) A dull rounded blade made of a plastic or hardwood should be used to avoid scratching the glass or tearing the gasket.

- a) Open door and roll inside lip of gasket (9) away from glass (10) starting at the end seam (bottom). Probe the blade under edge of glass and advance tool around the glass.

- b) Pull gasket off the edge of the door (2) cutout.
- c) **Examine end of extruded gasket.** Starting at bottom of circle insert edge of door cutout into the thin slot of gasket with the thick slot for the glass toward the inside or rear of door. Press gasket into place around cutout. Do not cut access length from gasket. Work gasket around circle until ends butt neatly.
- d) Press edge of glass firmly into wide gasket slot at bottom and work glass into slot with tool inserted between rear surface of glass and gasket lip. Advance tool around the gasket while pressing edge of glass into slot.
- e) Work butt ends of gasket to obtain a neat, tight joint.

LINT SCREEN: (See illustration page 4-7 and 4-8.)

- a) Remove screws (4) and lint screen retainer.
- b) Remove screen (2).

LOCKS:

- a) Remove screw holding pawl.
- b) Slide retaining spring away from lock.
- c) Remove lock.
- d) Replace by reversing removal procedure.

PILOT ORIFICE REPLACEMENT

TO REPLACE PILOT ORIFICE: (See illustration page 4-18.)

- a) Turn gas and power off.
- b) Disconnect the thermocouple (16) and the pilot gas supply line (17) from the pilot valve (30).
- c) Remove screws (23).
- d) Work pilot assembly (14) free through the opening between the main burner (11).
- e) Remove the pilot gas supply line (17) from the pilot orifice (15).

- f) Remove the pilot orifice (15) from the pilot (14).
- g) Replace by reversing the removal procedure.

ELECTRIC HEATING ELEMENT: This element produces heat in the electric oven to dry the clothes. This element is rated at 3KW, 4KW, and 5KW at 208V or 240V. The quantity and rating will vary for different ovens. (The rating is stamped on the frame of the element.) (See illustration page 4-20.)

TO REPLACE:

- a) Turn power off.
- b) Remove screws (20) and electric oven rear cover (21).
- c) Disassemble terminal hardware (27) through (32) from both terminals of defective element (2).
- d) Remove sail hanger (12) from sail switch housing (13).
- e) Remove screws holding cover plate (3).
- f) Remove cover plate and slide out defective element.
- g) Replace element by reversing removal procedure.

ELECTRIC RELAY CONTACTOR: The relay contactor controls power to the electric oven. (See illustration page 4-20.)

TO REPLACE:

- a) Turn power off.
- b) Remove rear cover screws (20) and cover (21).
- c) Remove side cover screws (20) and cover (25). Disconnect all wire leads.
- d) Remove contactor mounting nuts (22) and relay contactor (24).
- e) Remove nuts holding contactor to its mounting plate. See page 4-22 (7), (8) and (4).
- f) Replace by reversing removal procedures.
- g) To replace a defective coil only, refer to Furnas Instruction Sheet.

TROUBLE CHART

<u>TROUBLE</u>	<u>PROBABLE CAUSE AND REMEDY</u>
A. The dryer does not turn on.	<ol style="list-style-type: none">(1) Check power supply fuses or circuit breaker.(2) The power supply voltage does not correspond to the voltage indicated on the dryer data plate.(3) The timer or the coin meter circuit is open, or the timer or coin meter is defective. See Page 3-2.(4) The main door switch linkage is not functioning properly or the main door switch is defective. See Page 3-2. (Timer models only)(5) Check wiring for an open circuit or faulty connection.
B. The dryer starts but tumbler won't revolve.	<ol style="list-style-type: none">(1) Contaminated by oils, worn or loose V-Belt. See Page 3-9.(2) Motor sheave is loose. See Page 3-9.(3) Basket is overloaded.(4) Belt is riding in the bottom of the motor sheave groove.
C. The dryer starts and tumbler revolves, but heating unit does not operate.	<ol style="list-style-type: none">(1) Lint door is open (models not equipped with switch only).(2) Sail switch is open, out of adjustment, or defective. See Page 3-4.(3) A defective relay contactor coil (electric dryers).(4) The electric power to the heating unit is disconnected.(5) The gas is turned off.(6) The pilot flame is out. See Section III, Part H.(7) The main burner will not go on. See Section III, Part I (1), (2), (4), (5).(8) Restricted gas supply.(9) Defective high and low snap action thermostat. See Page 3-3.(10) A defective hi-limit thermostat. See Page 3-4.
D. Slow drying (full load).	<ol style="list-style-type: none">(1) The gas supply line may be inadequate to produce full rated gas input.(2) The dryer is being overloaded.(3) Partial belt slippage.(4) Insufficient make-up air. See Page 5-3.

TROUBLE CHART

TROUBLE

PROBABLE CAUSE AND REMEDY

- (5) Loading door or lint door is not fully closed. Seals missing, doors deformed.
 - (6) Extractor(s) not performing properly.
 - (7) An inadequate exhausting system. See Page 5-5.
 - (8) The lint screen is blocked or dirty. See Page 2-1.
 - (9) An exceptionally cold, humid room atmosphere.
- E. Slow drying (part load) Same as D(4) through D(8).
- F. The dryer is overheating. (1) The high or low snap action thermostat is defective. See Page 3-3.
(2) High gas pressure: check the gas pressure and adjust to the table on Page 5-5.
(3) Wrong type of gas for dryer. See nameplate.
- G. The dryer won't stop. (1) Timer or meter is defective. See Page 3-2.
- H. The pilot won't light or will not stay lit. (1) The gas is turned off.
(2) The pilot orifice is blocked or partially blocked. See Page 3-6.
(3) The filter is blocked or partially blocked. Replace.
(4) Defective thermocouple. See Page 3-5.
(5) Defective pilot valve. See Page 3-5.
(6) A severe external draft.
- I. The main burner will not light. (1) A defective gas valve solenoid. See Page 3-4
(2) An open solenoid circuit. See Page 3-4.
(3) Sail switch is out of adjustment or defective. See Page 3-2.
- J. The main burners are burning with a yellow flame. (1) Air shutters need adjusting. See Page 1-1.
(2) The burners are dirty.
(3) A high gas pressure. See Section III, Trouble Chart Part F(3).
(4) Wrong type of gas for dryer. See nameplate.

TROUBLE CHART

<u>TROUBLE</u>	<u>PROBABLE CAUSE AND REMEDY</u>
K. A premature motor burn out.	(1) A low supply voltage: have electrician check voltage. (2) V-Belts are set too tight. See Page 3-9. (3) The dryer is being overloaded. (4) The motor wired incorrectly. (5) Voltage supply is different from nameplate voltage.
L. An excessive noise or vibration in the dryer.	(1) The dryer is not level. See Page 1-1. (2) The basket is out of adjustment. See Page 3-7. (3) The V-Belts are too loose or too tight. See Page 3-9. (4) Bearing or pulley set screws are loose or keys are worn or loose in keyways of shafts.
M. The dryer is cycling on the high limit thermostat.	(1) An inadequate air flow. See Page 5-5. (2) Sail switch out of adjustment or defective.
N. The motor starts and stops.	(1) The thermal overload is tripping the motor. See Page 3-6.

IMPORTANT:

When ordering parts specify: Dryer Model Number and Serial Number in addition to the Part Number so we can fill your order accurately and promptly.

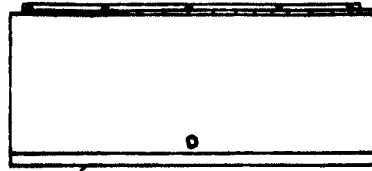
SECTION IV

PARTS MANUAL

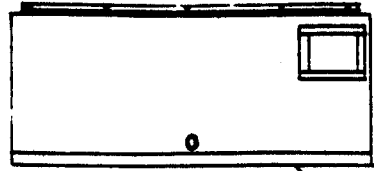
PART ILLUSTRATIONS & DESCRIPTION

	Page No.
Control Door Assembly.....	4-2,3
Main Door Assembly.....	4-4
Lint Door (Hinge Type) Assembly.....	4-5
Lint Door (Drop Type) Assembly.....	4-6
Lint Trap Assemblies.....	4-7,8
Small Sensor Assembly.....	4-9
Front Panel Assembly.....	4-10,11
Motor Mount Assembly.....	4-12,13
Idler Assembly.....	4-14
Bearing Housing Assemblies.....	4-15,16
Tumbler & Tumbler Support Assembly.....	4-17
Gas Burner Assembly.....	4-18,19
Electric Oven Assemblies.....	4-20,21,22,23
15#, 30# Meter Case.....	4-24
Slidemeter Case.....	4-25
Steam Coil Assembly.....	4-26
Control Chamber.....	4-27
Backguard.....	4-28,29
Damper.....	4-29
Sail Switch.....	4-30
Large Sensor Assembly.....	4-31
Ticket Control.....	4-32,33
Glo-Bar Ignition Assembly.....	4-34
New Sensor Assembly.....	4-35
Parts Not Illustrated.....	4-36
Timer & Meter Section.....	4-37
Std. & P.R. Burner Complete Assy.....	4-38,39,40,41,42
Glo-Bar Burner Complete Assy.....	4-42,43
Electric Oven Complete Assy.....	4-43
Motor Harnesses.....	4-44
Motor Mount Complete Assy.....	4-45,46,49
Misc. Harnesses.....	4-46,47,48
Reversing Controls (50# & 65#).....	4-50,51

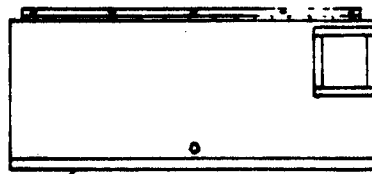
NOTE: The illustrations on the following pages may not necessarily depict exactly your specific dryer. These illustrations are a composite of the various dryer models. Be sure to check the descriptions of the parts thoroughly before ordering. If the part desired is not illustrated, please check Page 4-36.



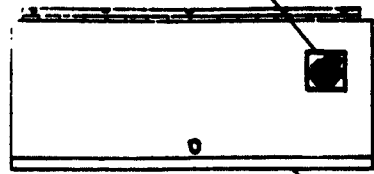
23



25

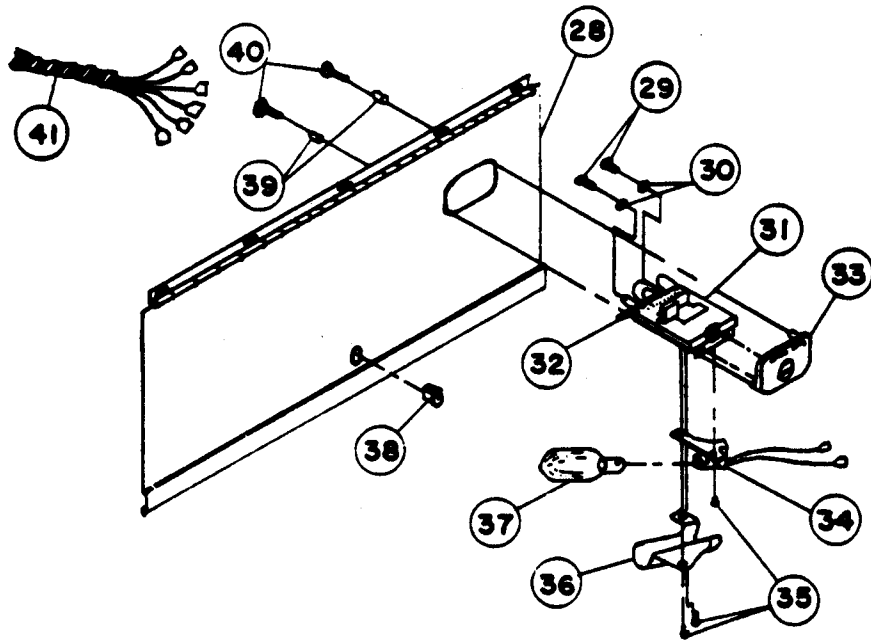


24



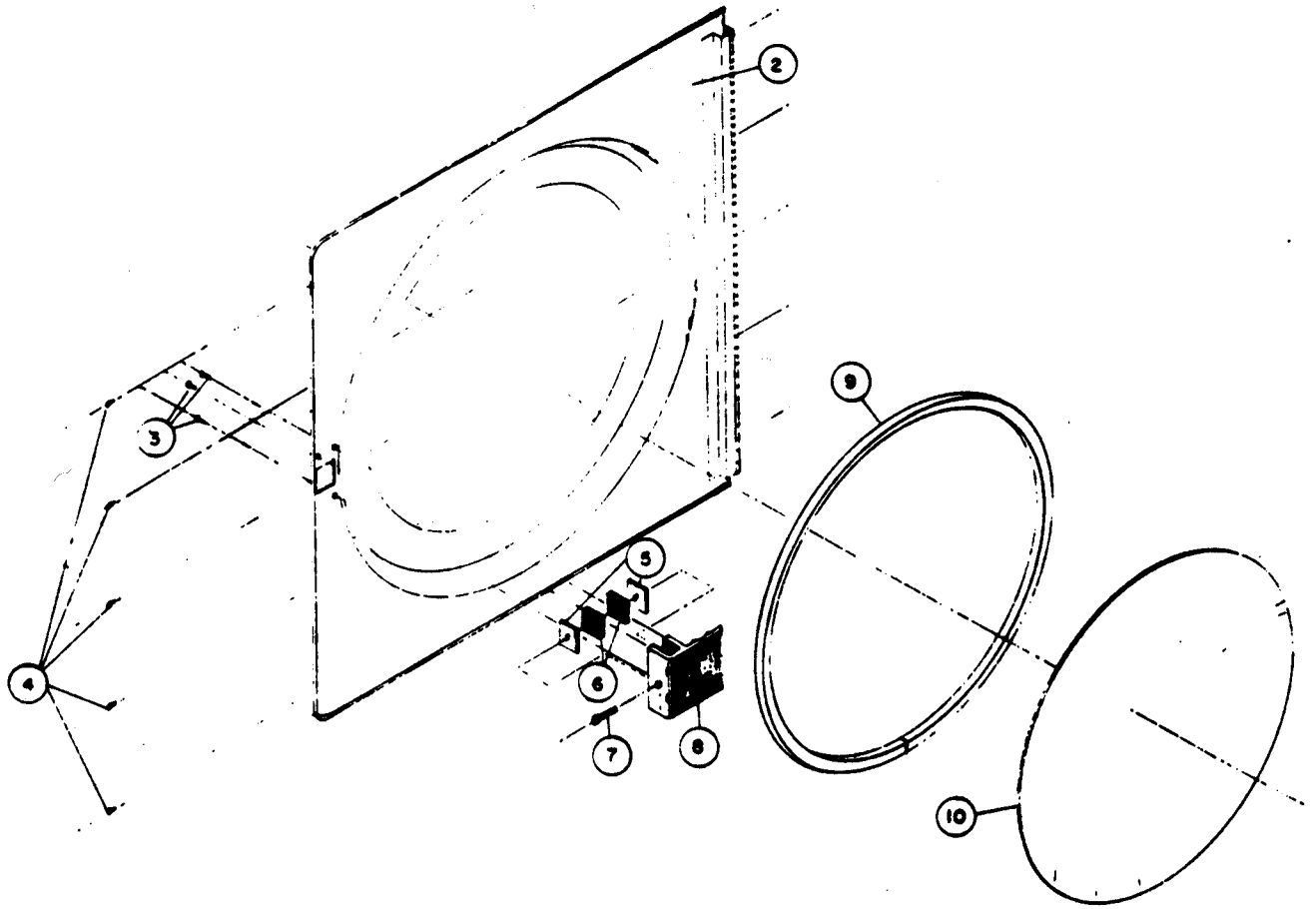
26

27

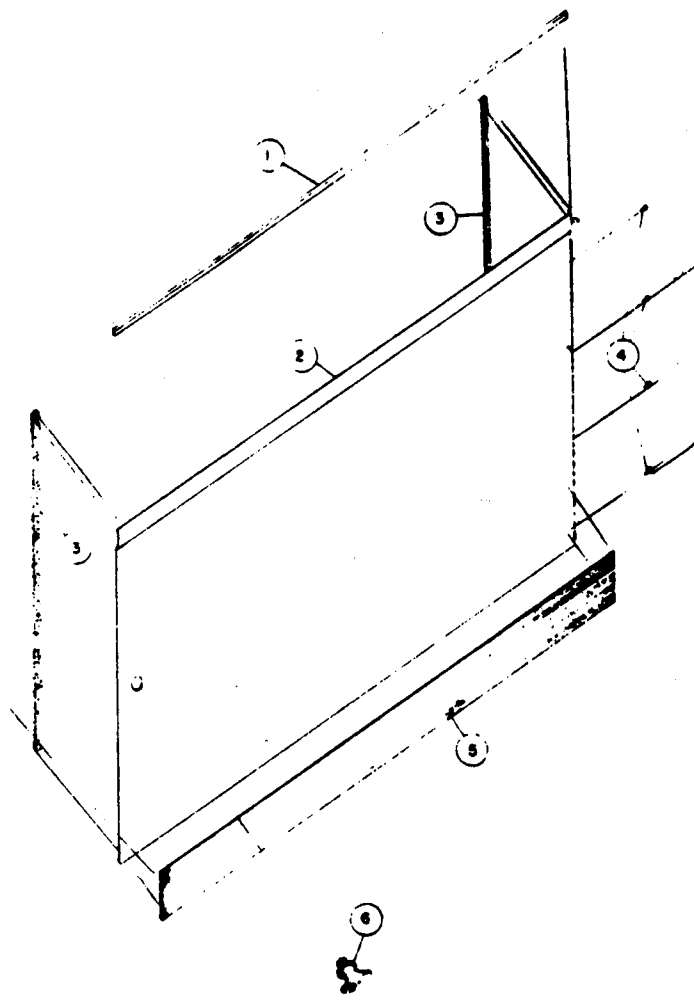


ILLUS. NO.	PART NO.	DESCRIPTION	QTY.	DRYER MODELS UTILIZING PART									
				15#	20#	25#	30#	35#	50#	60#	65#		
23	800000	Standard Control Door	1			x	x			x	x	x	x
24	800006	Slide Meter Control Door	1	x	x	x	x						
25	800002	Metered Control Door	1	x				x					
26	800003	Timer Control Door	1	x				x					
27	112003	60 Min. Timer Label	1	x				x					
	112004	60 Min. Timer Label C.D.	1	x				x					
	112005	60 Min. Timer Label Buzzer	1	x				x					
	112008	30 Min. Timer Label C.D.	1	x				x					
	112010	Dual Timer Label 60-15	1	x				x					
28	800001	Ticket Control Door	1	x	x	x	x	x	x				
29	150105	8-32 x 1/4 R.H. M.S.	2	x	x	x	x	x	x				
30	153000	#8 Washer	1	x	x	x	x	x	x				
31	880200	Comp. Ticket Control	1	x	x	x	x	x	x				
32	125800	Ticket Control Only	1	x	x	x	x	x	x				
33	125804	Front Plate	1	x	x	x	x	x	x				
34	125817	Lamp Socket	1	x	x	x	x	x	x				
35	125823	4-40 x 1/4 R.H. M.S.	3	x	x	x	x	x	x				
36	125818	Lamp Shield	1	x	x	x	x	x	x				
37	125822	Lamp 115V/125V	1	x	x	x	x	x	x				
38	160001	Control Door Lock Unit	1	x	x	x	x	x	x				
39	125810	2-12436 Cap For Covering Screw	2	x	x	x	x	x	x				
40	125811	10-32 x 5/16 Slotted H.H. M.S.	2	x	x	x	x	x	x				
41	833000	Ticket Harness	1	x	x	x	x	x	x				

Meters and Timers See Page 4-36

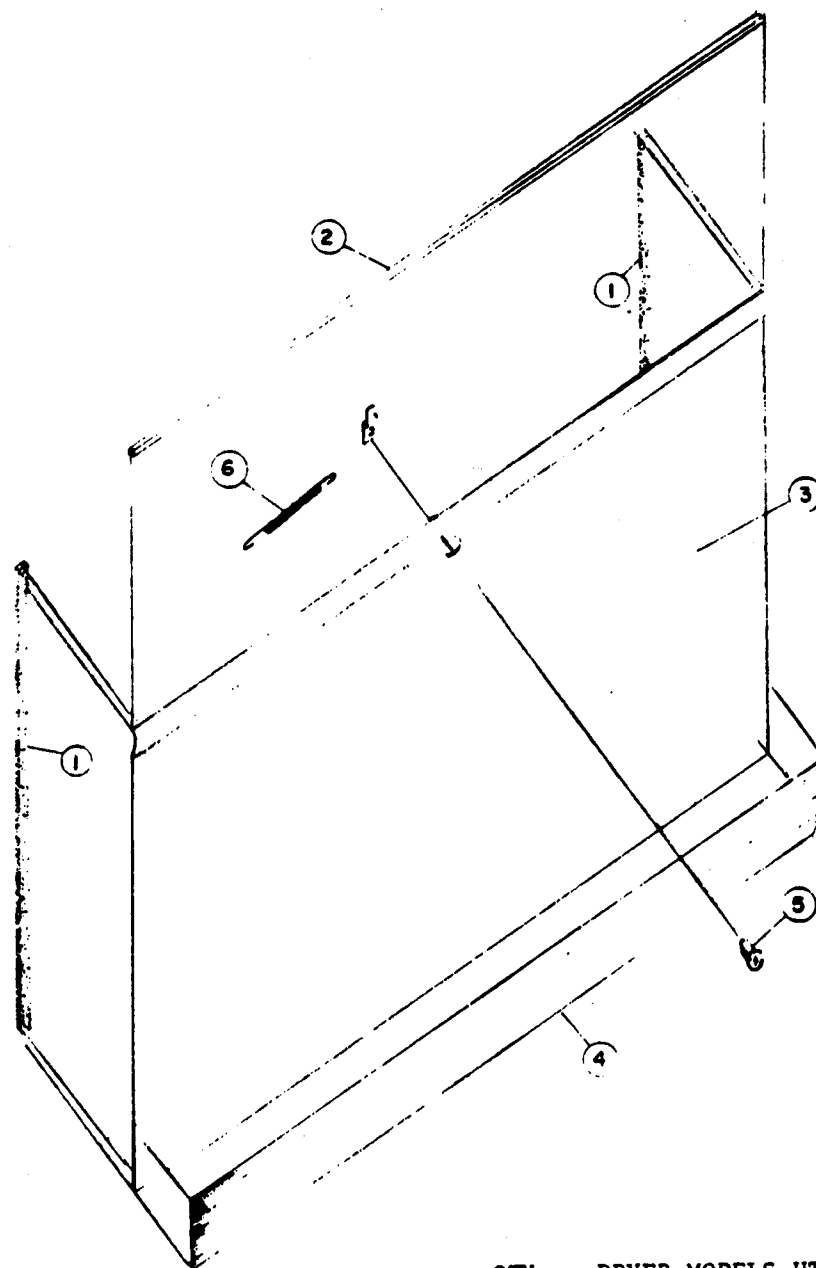


ILLUS. NO.	PART NO.	DESCRIPTION	QTY.	DRYER MODELS UTILIZING PART							
				15#	20#	25#	30#	35#	50#	60#	65#
2	800100	Main Door Comp. Assy. - Conv. Glass	1	x	x	x	x	x	x	x	x
	800101	Main Door Comp. Assy. - Stop Glass	1	x	x	x	x	x	x	x	x
	800102	Main Door - Conv. Glass Assy. L/Handle	1	x	x	x	x	x	x	x	x
	800103	Main Door - Stop Glass Assy. L/Handle	1	x	x	x	x	x	x	x	x
	800104	Main Door Assy. L/Glass	1	x	x	x	x	x	x	x	x
	800105	Main Door Only	1	x	x	x	x	x	x	x	x
	800106	Solid Main Door Comp. Assy.	1	x	x	x	x	x	x	x	x
3	150400	10-24 x 1/2" Phil. Tapt.	3	x	x	x	x	x	x	x	x
	150402	10-24 x 5/8" Truss Hd.	5	x	x	x	x	x	x	x	x
4	306801	Magnet Keeper	2	x	x	x	x	x	x	x	x
5	102100	Magnet	2	x	x	x	x	x	x	x	x
6	150401	10-24 x 1 1/4" Fl. Hd. Phil. Tapt.	1	x	x	x	x	x	x	x	x
7	300300	Main Door Handle	1	x	x	x	x	x	x	x	x
8	102300	Main Door Glass Gasket	1	x	x	x	x	x	x	x	x
9	102200	Main Door Glass (Convex-Plain)	1	x	x	x	x	x	x	x	x
10	102201	Main Door Glass (Flat-Stop)	1	x	x	x	x	x	x	x	x

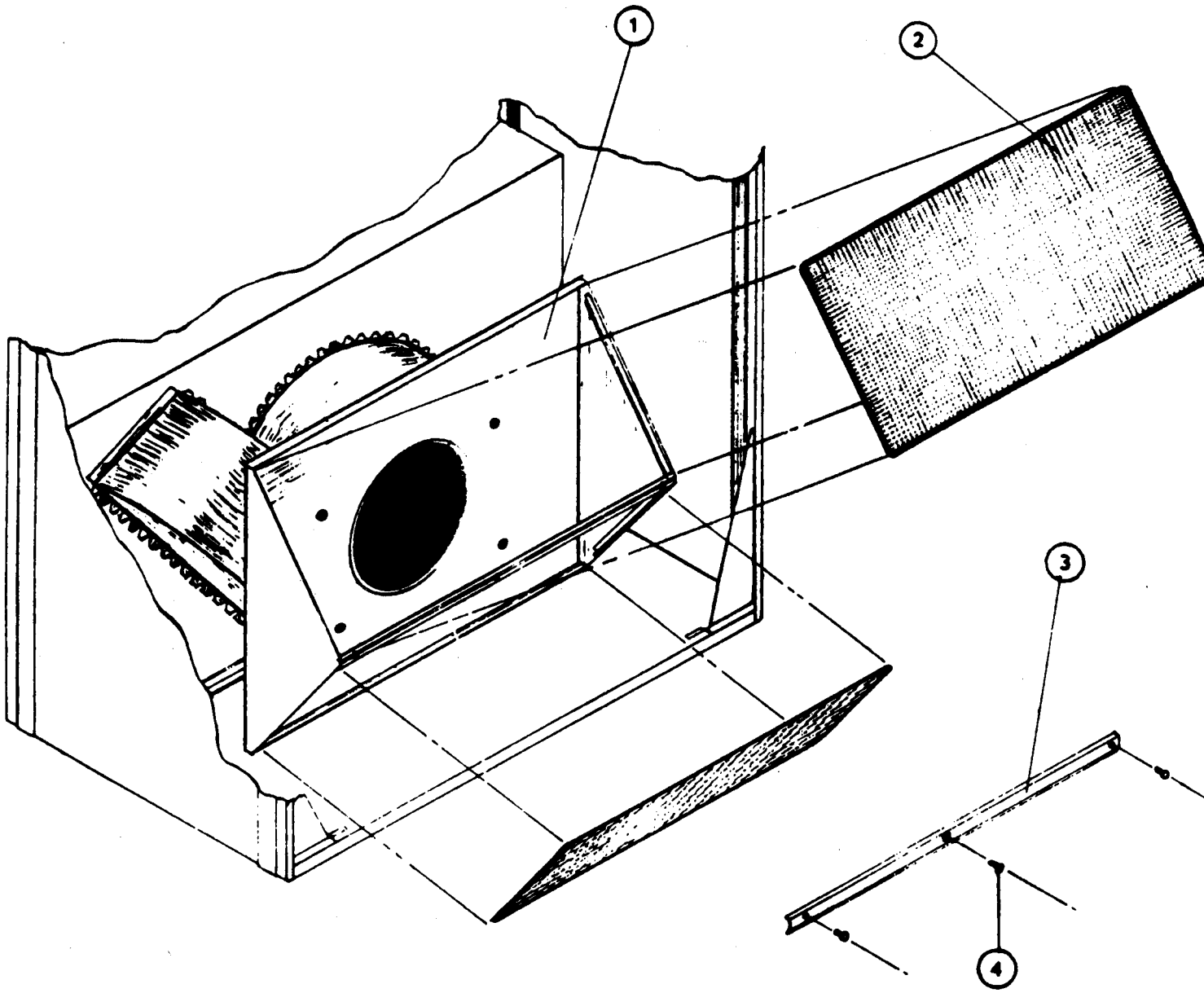


ILLUS. NO.	PART NO.	DESCRIPTION	QTY.	DRYER MODELS UTILIZING PART					
				15#	20#	25#	30#	35#	50#
1	102301	Lint Door Gasket (Prior to 1-1-72)	1		x	x		x	x
2	800204	R.H. Hinge Lint Door Assy.	1			x		x	x
2	800205	L.H. Hinge Lint Door Assy.	1			x		x	x
	800206	R.H. Hing Lint Door Assy.	1		x				
	800207	L.H. Hinge Lint Door Assy.	1		x				
	800208	R.H. Hinge Lint Door Assy.	1					x	
	800209	L.H. Hinge Lint Door Assy.	1					x	
	800210	R.H. Hinge Lint Door Assy.	1		x				
	800211	L.H. Hinge Lint Door Assy.	1		x				
3	117600	Noise Suppressor	7'	x	x	x	x	x	x
4	150200	10-32 x 1/2" Tr. Hd. Tappits	4	x	x	x	x	x	x
5	300000	Kick Plate 34"	1			x	x		x
	300002	Kick Plate 31"	1		x			x	
	800254	Kickplate Kits	1		x			x	
	800255	Kickplate Kits	1			x	x		x
6	160200	Knob Latch	1		x	x	x	x	x
	160001	Lint Door Lock (If Applicable)	1		x	x	x	x	x
	160003	Dummy Lock (If Applicable)	1		x	x	x	x	x

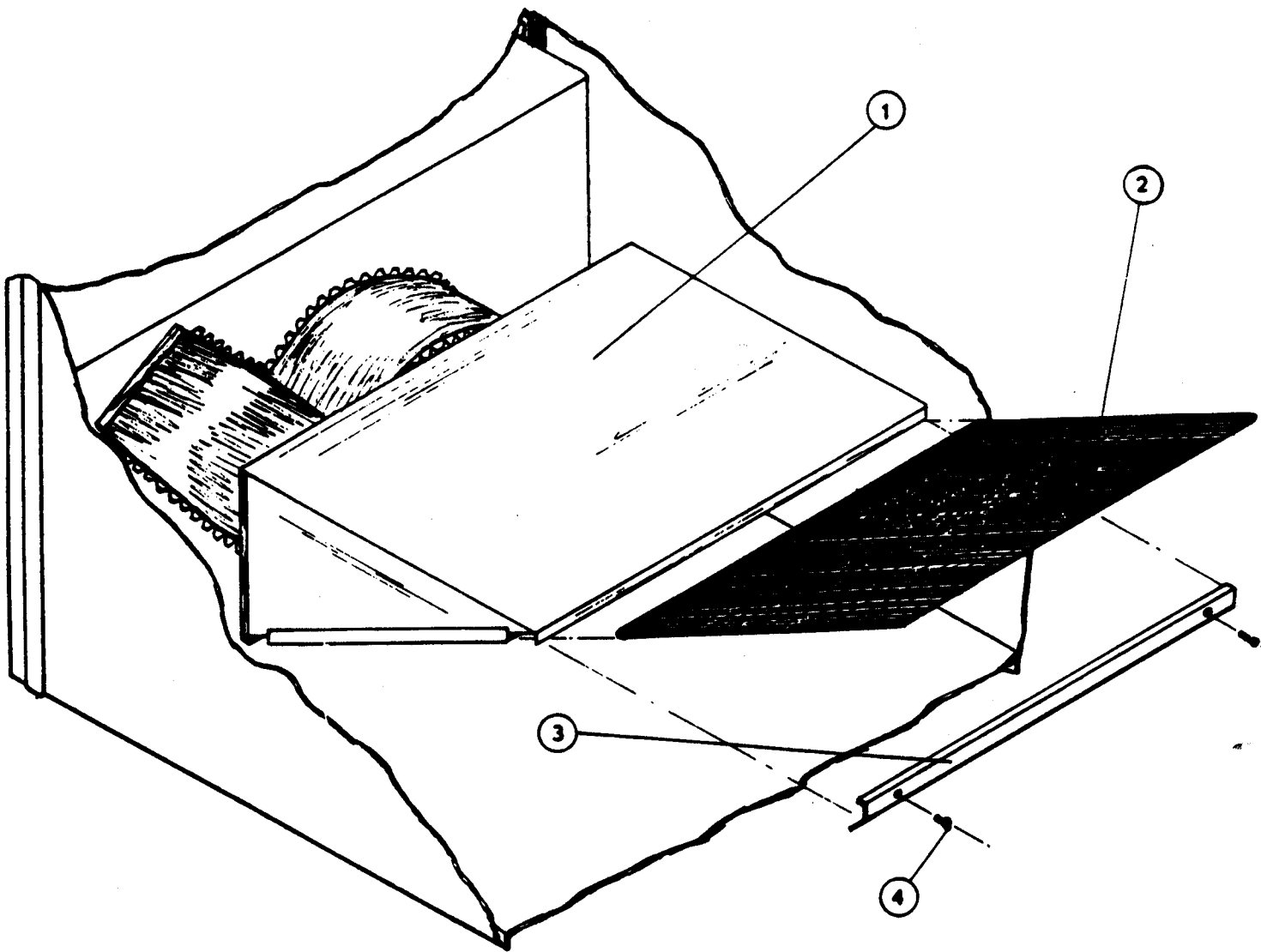
R.H. indicates Right Hand. L.H. indicates Left Hand.



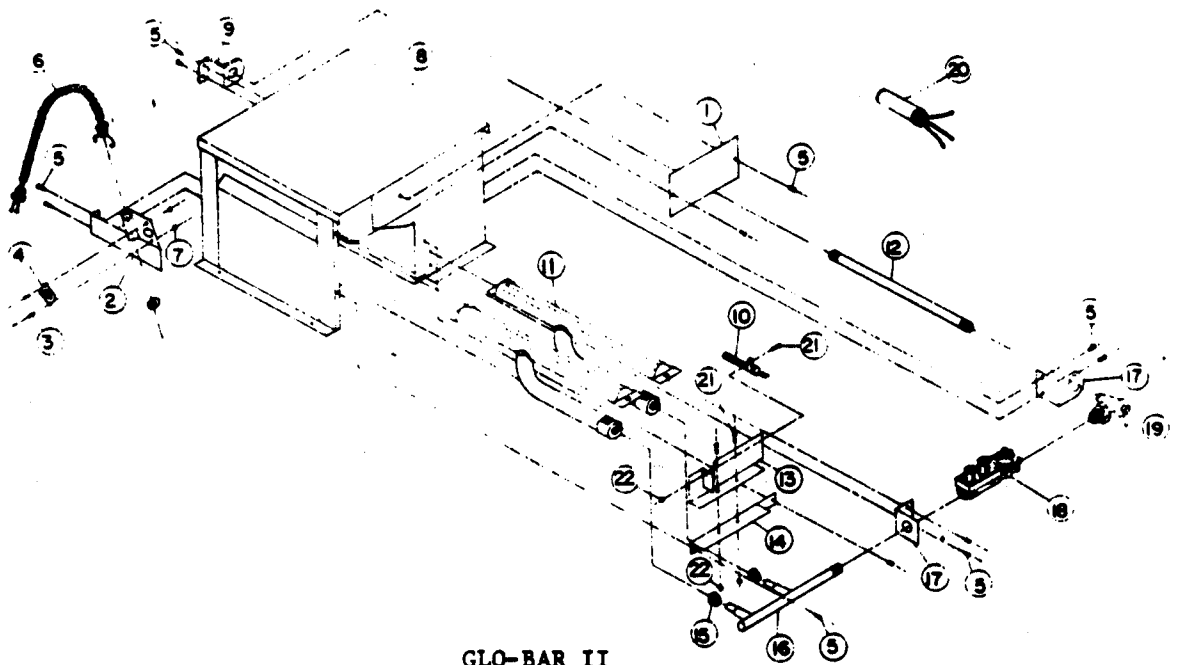
ILLUS. NO.	PART NO.	DESCRIPTION	QTY.	DRYER MODELS UTILIZING PART								
				15#	20#	25#	30#	35#	50#	60#	65#	
1	117600	Noise Suppressor Tape	7'	x	x	x	x	x	x	x	x	x
2	102301	Lint Door Gasket (Prior to 1-1-72)	1		x	x		x	x			
3	800200	Lint Door Drop Assy.	1			x		x	x			
	800201	Lint Door Drop Assy.	1		x							
	800202	Lint Door Drop Assy.	1				x					
	800203	Lint Door Drop Assy.	1	x								
	800212	Lint Door Drop Assy.	1								x	x
4	300001	Kickplate 34"	1		x	x		x	x			
	300003	Kickplate 31"	1	x			x					
	300004	Kickplate 38"	1								x	x
	800250	Kickplate Kits	1	x			x					
	800251	Kickplate Kits	1		x	x		x	x			
	800252	Kickplate Kits	1								x	x
5	160001	Lint Door Lock	1	x	x	x	x	x	x	x	x	x
	160200	Knob Latch (If Applicable)	1	x	x	x	x	x	x	x	x	x
	1600003	Dummy Lock (If Applicable)	1	x	x	x	x	x	x	x	x	x
6	157000	Spring	1	x	x	x	x	x	x	x	x	x



ILLUS. NO.	PART NO.	DESCRIPTION	QTY.	DRYER MODELS UTILIZING PART								
				15#	20#	25#	30#	35#	50#	60#	65#	
1	800403	Sm. Lint Trap Only	1	x	x	x						
	800406	Sr. Lint Trap Comp. Assy.	1	x	x	x						
2	800500	Lint Screens	2	x	x	x						
3	304100	Lint Screen Hold Down	1	x	x	x						
4	150300	#10 x 1/2" S.D.S. Screws	3	x	x	x						

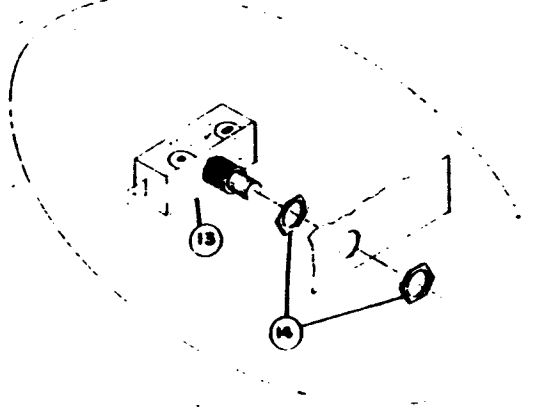
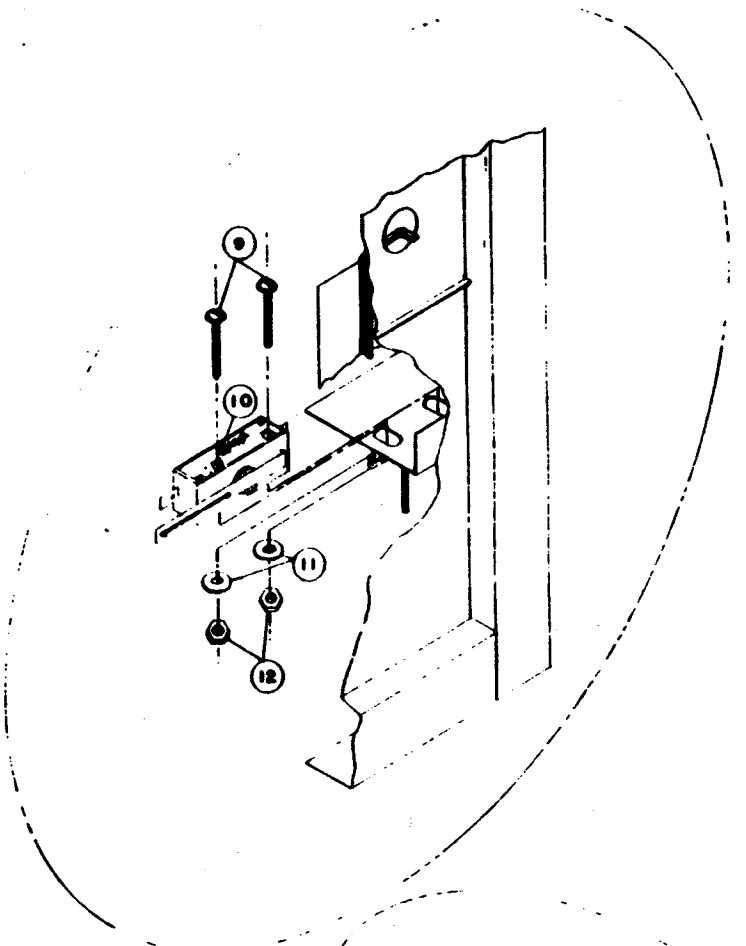
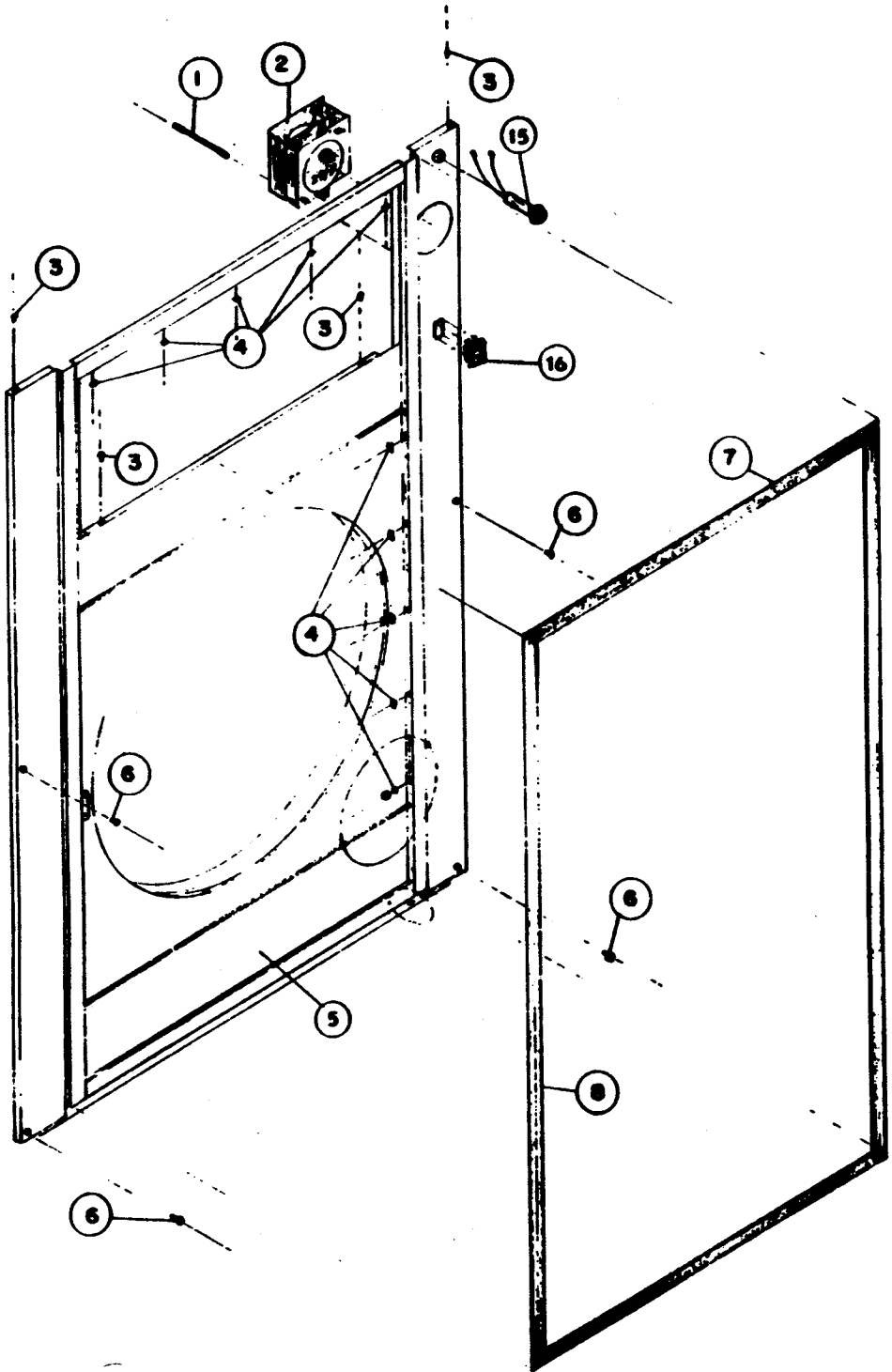


ILLUS. NO	PART NO.	DESCRIPTION	QTY.	DRYER MODELS UTILIZING PART								
				15#	20#	25#	30#	35#	50#	60#	65#	
1	800404	Lg. Lint Trap Only	1			x	x	x	x	x		
	800402	Lg. Lint Trap Comp. Assy.	1			x	x	x	x	x		
2	800501	Lint Screen	1			x	x	x	x	x		
3	304101	Lint Screen Hold Down	1			x	x	x	x	x		
4	150300	#10 x 1/2" S.D.S. Screws	2			x	x	x	x	x		
Note	800406	Rev. Lint Trap Only	1						x	x		x
	800700	Rev. Lint Trap Comp.	1						x	x		y

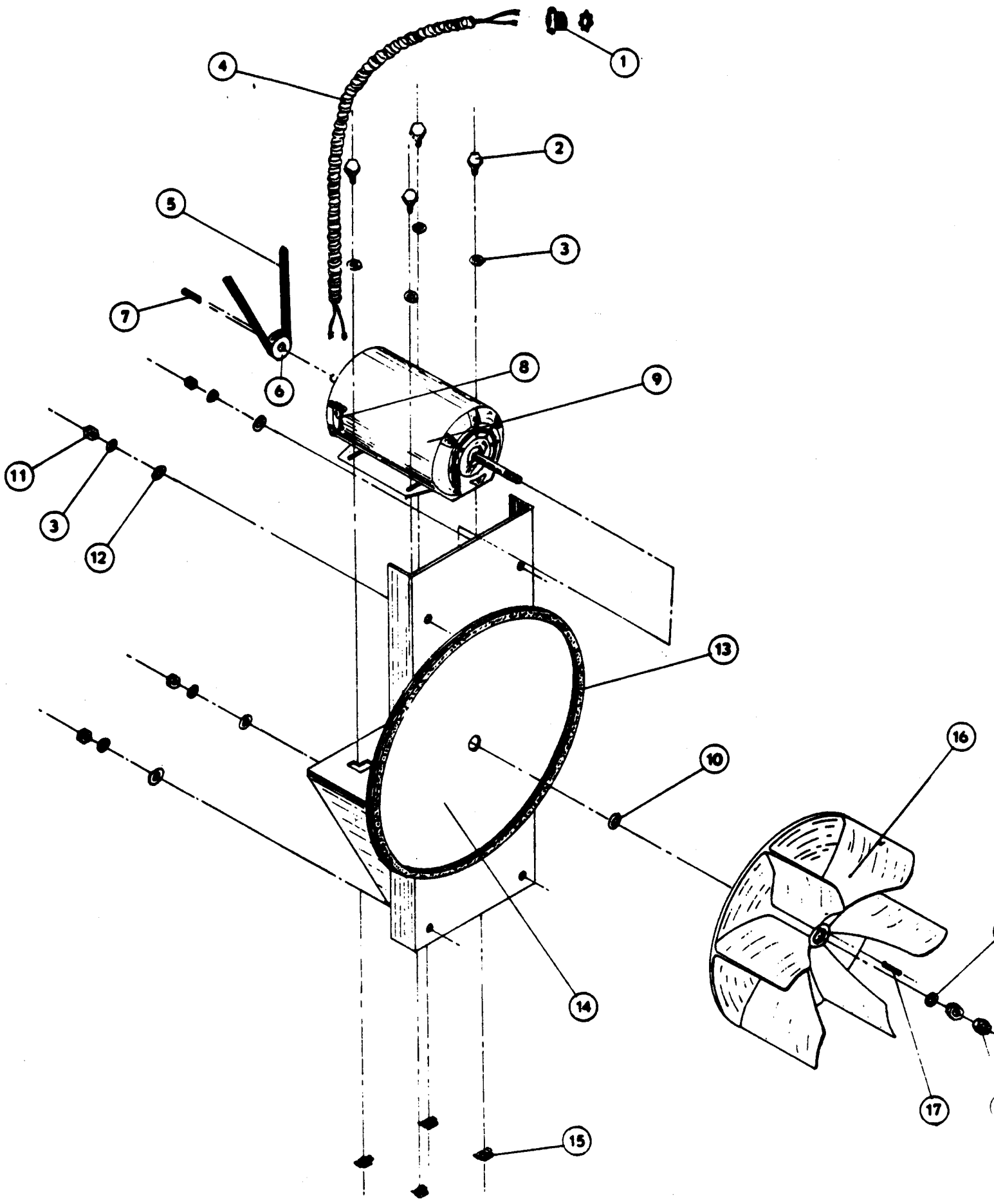


GLO-BAR II

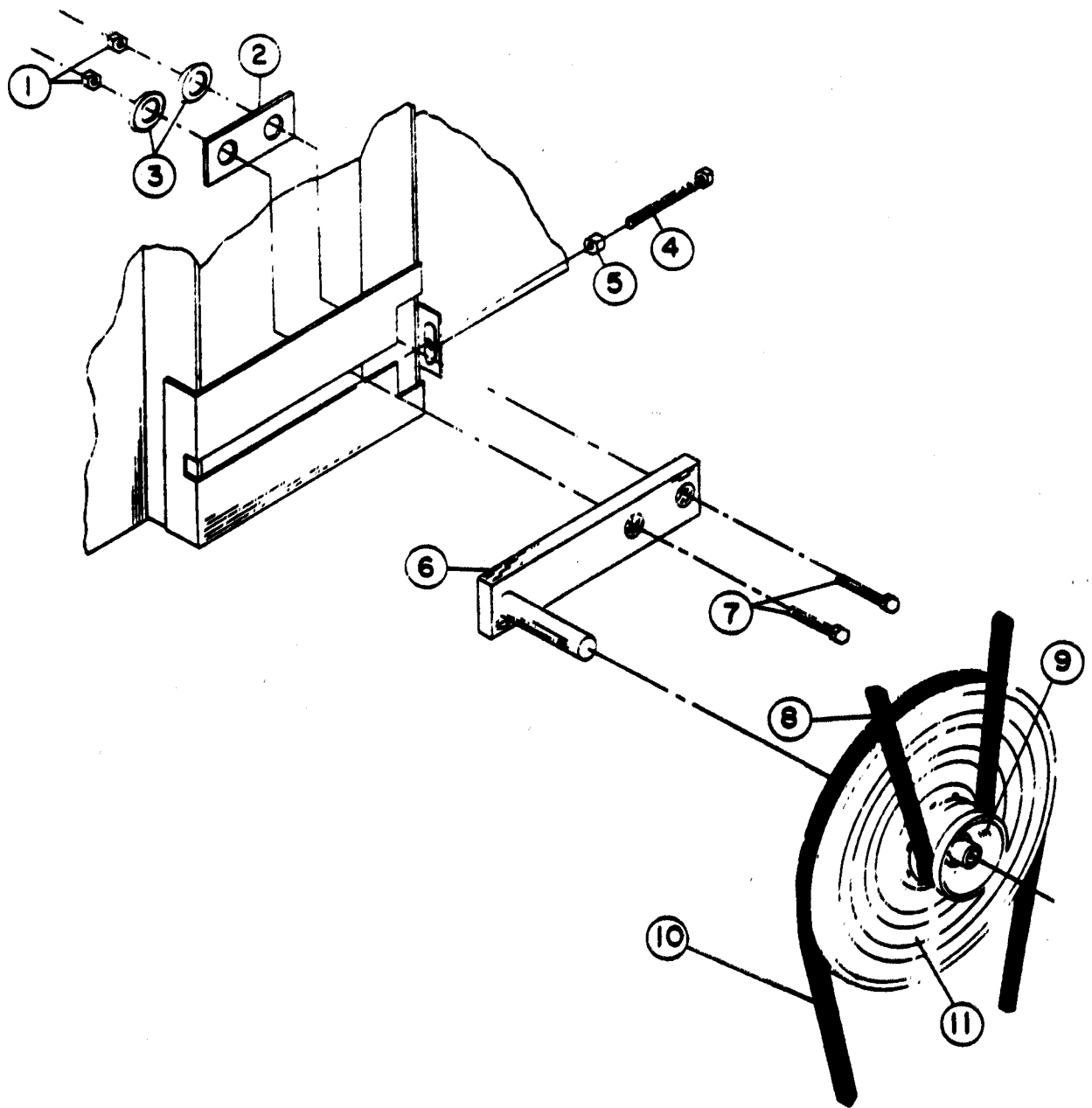
ILLUS. NO.	PART NO.	DESCRIPTION	QTY.	DRYER MODELS UTILIZING PART									
				15#	20#	25#	30#	35#	50#	60#	65#		
1	318801	Heat Shield	1	x	x	x	x	x					
	318800	Heat Shield	1							x	x	x	
2	319705	Hi Limit Bracket	1	x	x	x	x	x	x	x	x	x	
3	150001	6-32 Rd. Hd. M.S.	2	x	x	x	x	x	x	x	x	x	
4	130400	L-290 Hi Limit Switch	1	x	x	x	x	x	x	x	x	x	
5	150300	#10 x 1/2 SDS Screw	2	x	x	x	x	x	x	x	x	x	
6	830000	Hi Limit Harness	1	x									
	830001	Hi Limit Harness	1		x								
	830002	Hi Limit Harness	1			x							
	830003	Hi Limit Harness	1				x						
	830004	Hi Limit Harness	1					x					
	830005	Hi Limit Harness	1						x				
	830006	Hi Limit Harness	1							x			
7	152000	6-32 Hex Nut	2	x	x	x	x	x	x	x	x	x	
8	804002	Burner Box Tube Type	1	x	x	x							
	804003	Burner Box Tube Type	1				x	x	x				
	804004	Burner Box Tube Type	1								x	x	
9	318700	Pipe Bracket	1	x	x	x	x	x	x	x	x	x	
10	875102	Glo-Bar II Igniter 110 Volts	1	x	x	x	x	x	x	x	x	x	
11	141104	Main Burner Tube Type	2	x	x	x							
	141105	Main Burner Tube Type	2				x	x					
	141105	Main Burner Tube Type	3							x	x	x	
12	142800	1/2 x 14 Pipe	1	x	x	x							
	142805	1/2 x 24 Pipe	1				x	x	x	x	x	x	
13	319805	Glo-Bar Mtg. Bracket	1	x	x	x	x	x					
	319800	Glo-Bar Mtg. Bracket	1							x	x	x	
14	318906	Burner Rest	1	x	x	x	x	x					
	318907	Burner Rest	1							x	x	x	
15	See Chart	Main Burner Orifices	2	x	x	x	x	x	x	x	x	x	
16	141205	Manifold Two Port	1	x	x	x	x	x	x				
	141203	Manifold Three Port	1									x	x
17	318701	Pipe Bracket	1	x	x	x	x	x	x	x	x	x	
18	140013	3/8 Gas Valve Glo-Bar II	1	x	x	x	x	x					
	140012	1/2 Gas Valve Glo-Bar II	1								x	x	x
19	141301	Union Shut Off	1	x	x	x	x	x	x	x	x	x	
20	875100	Electronic Control 110 Volts	1	x	x	x	x	x	x	x	x	x	
21	150100	8-32 x 1/2 Rd. Hd. M.S.	2	x	x	x	x	x	x	x	x	x	
22	152001	8-32 Hex Nut	2	x	x	x	x	x	x	x	x	x	



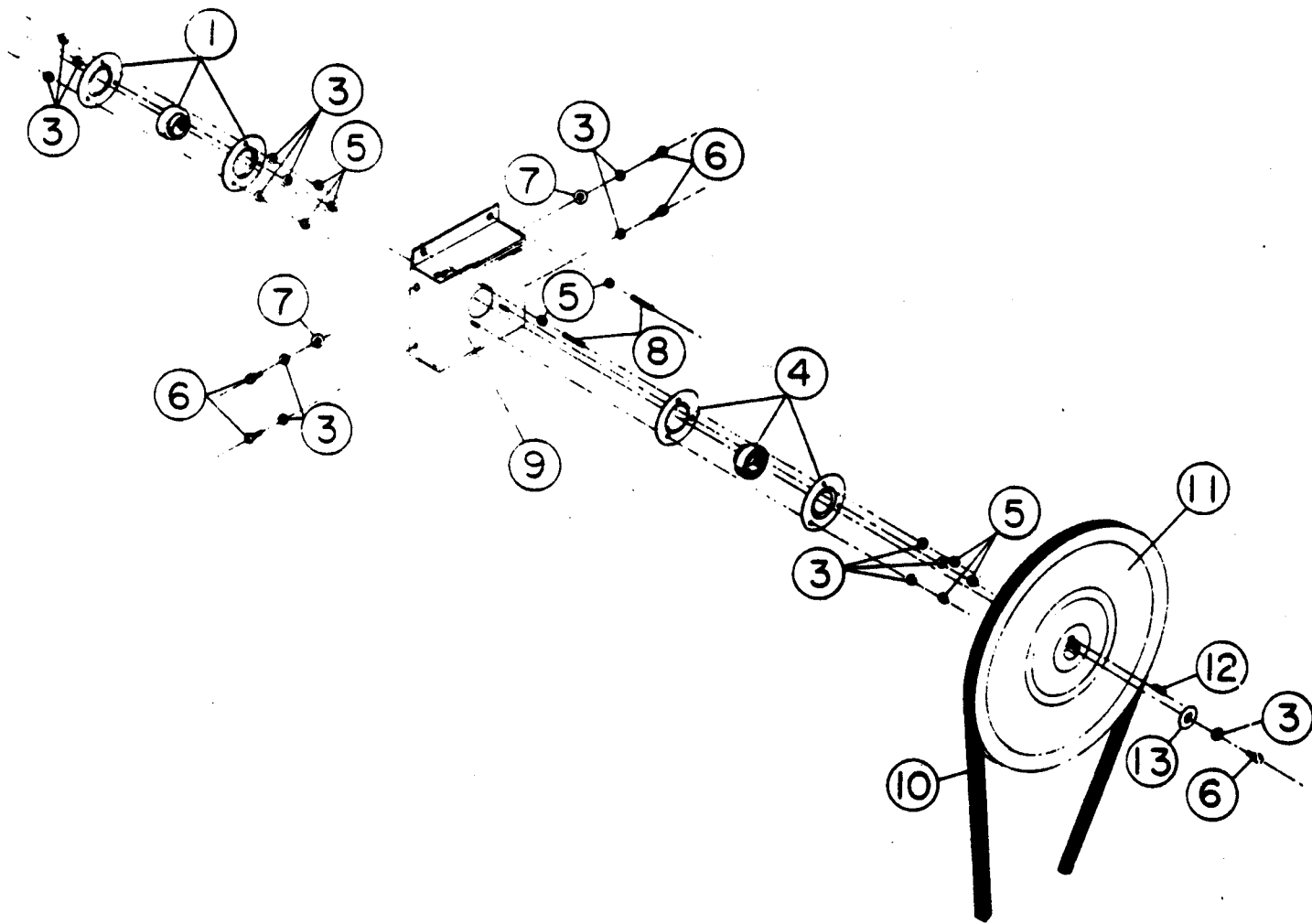
ILLUS. NO.	PART NO.	DESCRIPTION	QTY.	DRYER MODELS UTILIZING PART									
				15#	20#	25#	30#	35#	50#	60#	65#		
1	106000	Nylon Meter Shaft Nut	1		x	x		x	x				
2		Meter and Timers (See Page 4-36)											
3	150300	#10 x 1/2" SDS Tek	4	x	x	x	x	x	x	x	x	x	x
4	154003	10-24 Tinnerman Nut	10	x	x	x	x	x	x	x	x	x	x
5	800300	Std. R.H. Meter Front Panel	1		x	x		x	x				
	800301	Std. L.H. Meter Front Panel	1		x	x		x	x				
	800302	Std. R.H. Timer Front Panel	1		x	x		x	x				
	800303	Std. L.H. Timer Front Panel	1		x	x		x	x				
	800304	Std. R.H. Dual Timer Front Panel	1		x	x		x	x				
	800305	Std. L.H. Dual Timer Front Panel	1		x	x		x	x				
	800306	Std. R.H. Dual Meter Front Panel	1		x	x		x	x				
	800307	Std. L.H. Dual Meter Front Panel	1		x	x		x	x				
	800308	Std. R.H. Front Panel N/M	1		x	x		x	x				
	800309	Std. L.H. Front Panel N/M	1		x	x		x	x				
	800310	Std. R.H. Slm. Front Panel	1		x	x		x	x				
	800311	Std. L.H. Slm. Front Panel	1		x	x		x	x				
	800312	Nar. R.H. Front Panel	1	x				x					
	800313	Nar. L.H. Front Panel	1	x				x					
	800314	R.H. Timer Front Panel	1									x	x
	800315	L.H. Timer Front Panel	1									x	x
	800316	R.H. Dual Timer Front Panel	1									x	x
	800317	L.H. Dual Timer Front Panel	1									x	x
	800320	Std. R.H. Timer/Lock Front Panel	1		x	x		x	x				
	800321	Std. L.H. Timer/Lock Front Panel	1		x	x		x	x				
	800322	Nar. R.H. Slm. Front Panel	1	x				x					
	800323	Nar. L.H. Slm. Front Panel	1	x				x					
	800324	R.H. Meter Front Panel	1									x	x
	800325	L.H. Meter Front Panel	1									x	x
	800326	R.H. Dual Meter Front Panel	1									x	x
	800327	L.H. Dual Meter Front Panel	1									x	x
6	150200	10-32 x 1/2" Tr. Hd. Tappits	5	x	x	x	x	x	x	x	x	x	x
7	300200	Front Panel Trim (Top & Bottom)	2	x	x	x	x	x	x	x	x	x	x
8	300100	Front Panel Trim Sides	2	x	x	x	x	x	x				
	300101	Front Panel Trim Sides	2									x	x
	800380	Front Panel Trim Kits	1	x	x	x	x	x	x				
	800381	Front Panel Trim Kits	1									x	x
9	150002	6-32 x 1" Rd. Hd. M.S.	2	x	x	x	x	x	x	x	x	x	x
10	122000	Main Door Switch	1	x	x	x	x	x	x	x	x	x	x
11	153000	#8 Steel Burr	2	x	x	x	x	x	x	x	x	x	x
12	152000	6-32 Hex Nut	2	x	x	x	x	x	x	x	x	x	x
13	122100	Lint Door Switch	1	x	x	x							
14	152003	Lint Door Switch Nuts	2	x	x	x							
15	123000	Pilot Light 110V	1	x	x	x	x	x	x	x	x	x	x
	123001	Pilot Light 220V	1	x	x	x	x	x	x	x	x	x	x
16	122400	Heat Selector Switch	1	x	x	x	x	x	x	x	x	x	x



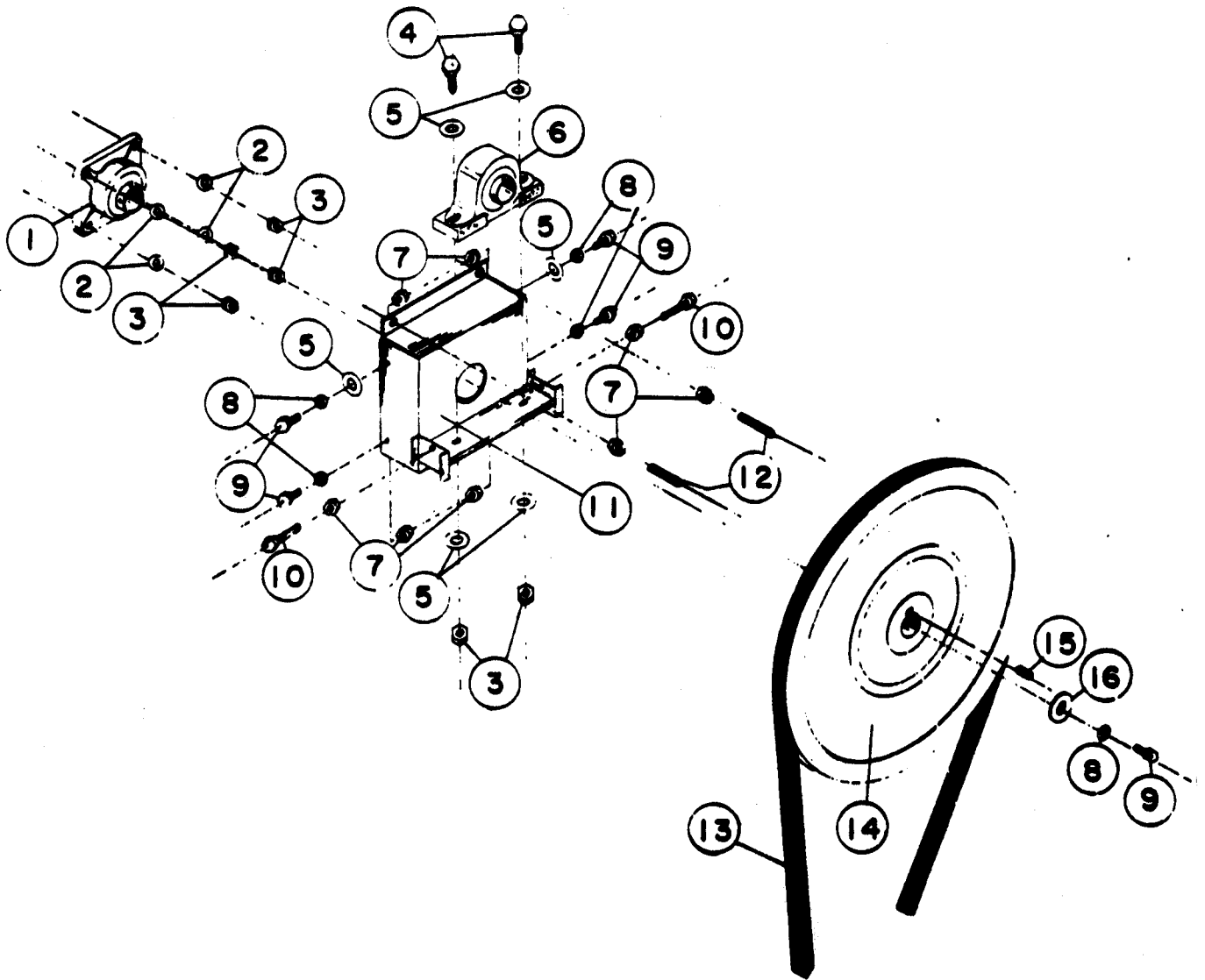
ILLUS. NO.	PART NO.	DESCRIPTION	QTY.	DRYER MODELS UTILIZING PART								
				15#	20#	25#	30#	35#	50#	60#	65#	
1	120100	3/8" Straight Connector	1				x	x	x	x	x	
	120200	3/8" 90 Angle Connector	1	x	x	x						
2	150501	5/16"-18 x 3/4" M.B.	4	x	x	x	x	x	x	x	x	
3	153002	5/16" Lock Washer	8	x	x	x	x	x	x	x	x	
4		Motor Harnesses (See Page 4-44.)										
5	100101	48" V Belt	1	x	x	x	x	x	x	x	x	
6	101102	1/2" x 1 3/4" Sheave	1		x	x						
	101103	5/8" x 1 3/4" Sheave	1					x	x	x		
	101104	1/2" x 2" Sheave	1	x	x	x						
	101105	5/8" x 2" Sheave	1				x	x	x	x		
	101116	1/2" x 2 1/4" Sheave	1	x								
	101123	5/8 x 2 Double Groove Sheave	1								x	
7	100701	3/16" x 3/16" x 1" Key (1/2 HP Only)	1			x	x	x	x	x	x	
8	120200	3/8" 90 Angle Connector	1	x	x	x	x	x	x	x	x	
9	100000	1/3 HP 115/60/1 Motor 48Z Frame	1	x	x	x						
	100001	1/3 HP 220/60/1 Motor 48Z Frame	1	x	x	x						
	100002	1/2 HP 115/60/1 Motor 56Z Frame	1				x	x	x	x	x	
	100003	1/2 HP 220/50/1 Motor 56Z Frame	1	x	x	x	x	x	x	x	x	
	100004	1/2 HP 440/50/3 Motor 56Z Frame	1	x	x	x	x	x	x	x	x	
	100005	1/2 HP 200/60/3 Motor 56Z Frame	1	x	x	x	x	x	x	x	x	
	100006	1/2 HP 220/60/1 Motor 56Z Frame	1				x	x	x	x	x	
	100010	1/2 HP 100/50/1 Motor 56Z Frame	1	x	x	x	x	x	x	x	x	
	100015	1/2 HP 100/60/1 Motor 56Z Frame	1	x	x	x	x	x	x	x	x	
	10	153006	1/2" Spec. Motor Washer	2	x	x	x	x	x	x	x	x
	11	152004	5/16"-18 Hex Nut	4	x	x	x	x	x	x	x	x
12	153001	5/16" Flat Washer	4	x	x	x	x	x	x	x	x	
13	117600	Motor Mount Gasket	1	x	x	x	x	x	x	x	x	
14	800900	1/3 HP Motor Mount Only	1	x								
	800901	1/3 HP Motor Mount Only	1		x							
	800902	1/3 HP Motor Mount Only	1			x						
	800903	1/2 HP Motor Mount Only	1				x					
	800904	1/2 HP Motor Mount Only	1					x				
	800905	1/2 HP Motor Mount Only	1						x			
	800906	1/2 HP Motor Mount Only	1							x	x	
	800908	1/2 HP Motor Mount Only	1	x								
	800909	1/2 HP Motor Mount Only	1		x							
	800910	1/2 HP Motor Mount Only	1			x						
		Mtr. Mount Comp. Assy. See Pg. 4-44										
15	154000	5/16"-18 Tinnerman Nut	4	x	x	x	x	x	x	x	x	
16	100600	11" Impeller (Red)	1	x	x							
	100601	12" Impeller (Yellow)	1	x	x	x	x	x	x	x		
	100602	13" Impeller (Orange)	1			x	x	x	x	x		
17	100702	1/8" x 1/8" x 1 1/2" Key	1	x	x	x	x	x	x	x	x	
18	152006	1/2"-20 L.H. Nut	2	x	x	x	x	x	x	x	x	



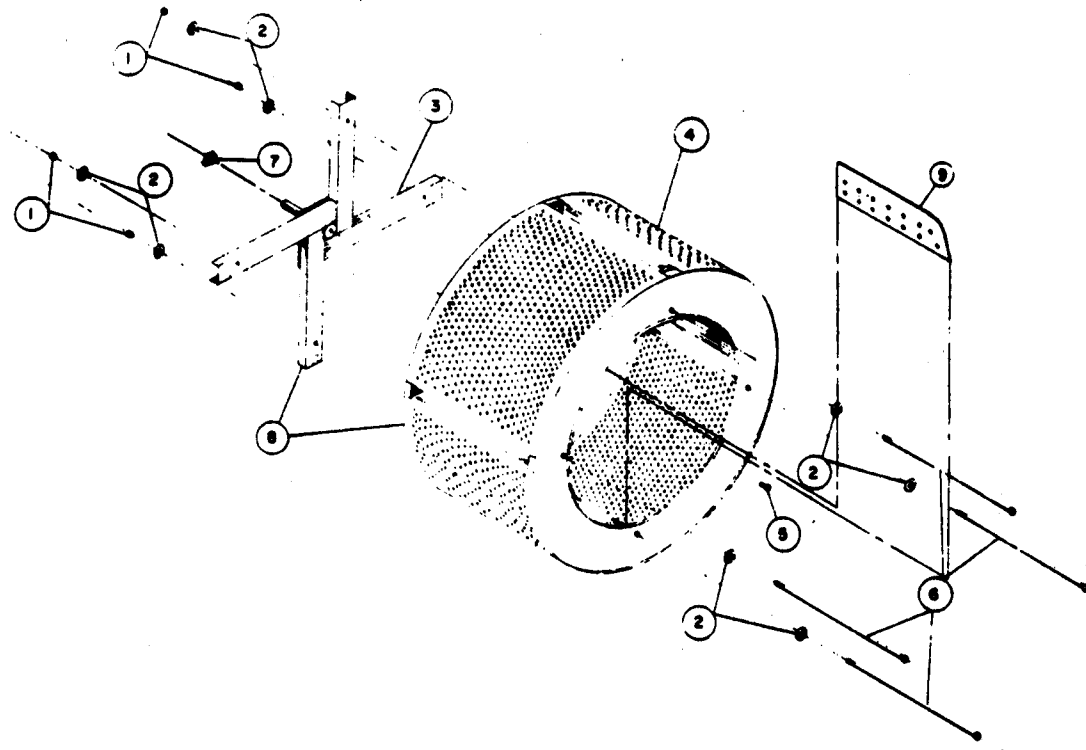
ILLUS. NO.	PART NO.	DESCRIPTION	QTY. DRYER MODELS UTILIZING PART																	
			15#	20#	25#	30#	35#	50#	60#	65#										
1	152005	3/8"-16 Hex Nut																		
2	311605	Square Washer																		
3	153004	3/8" Flat Washer																		
4	150509	5/16"-18 x 3" Hex M.B.																		
5	152004	5/16"-18 Hex Nut																		
6	801000	3 Hole Adj. Block W/Shaft																		
	801002	3 Hole Adj. Block W/Shaft																		
7	150600	3/8"-16 x 1 1/2" Hex M.B.																		
8	100100	66" V-Belt																		
	100101	48" V-Belt																		
	100105	52" V-Belt																		
	100112	59" V-Belt																		
10	100101	48" V-Belt																		
	100105	52" V-Belt																		
	100112	59" V-Belt																		
11	101101	9" Pulley																		
	101122	11" Pulley																		



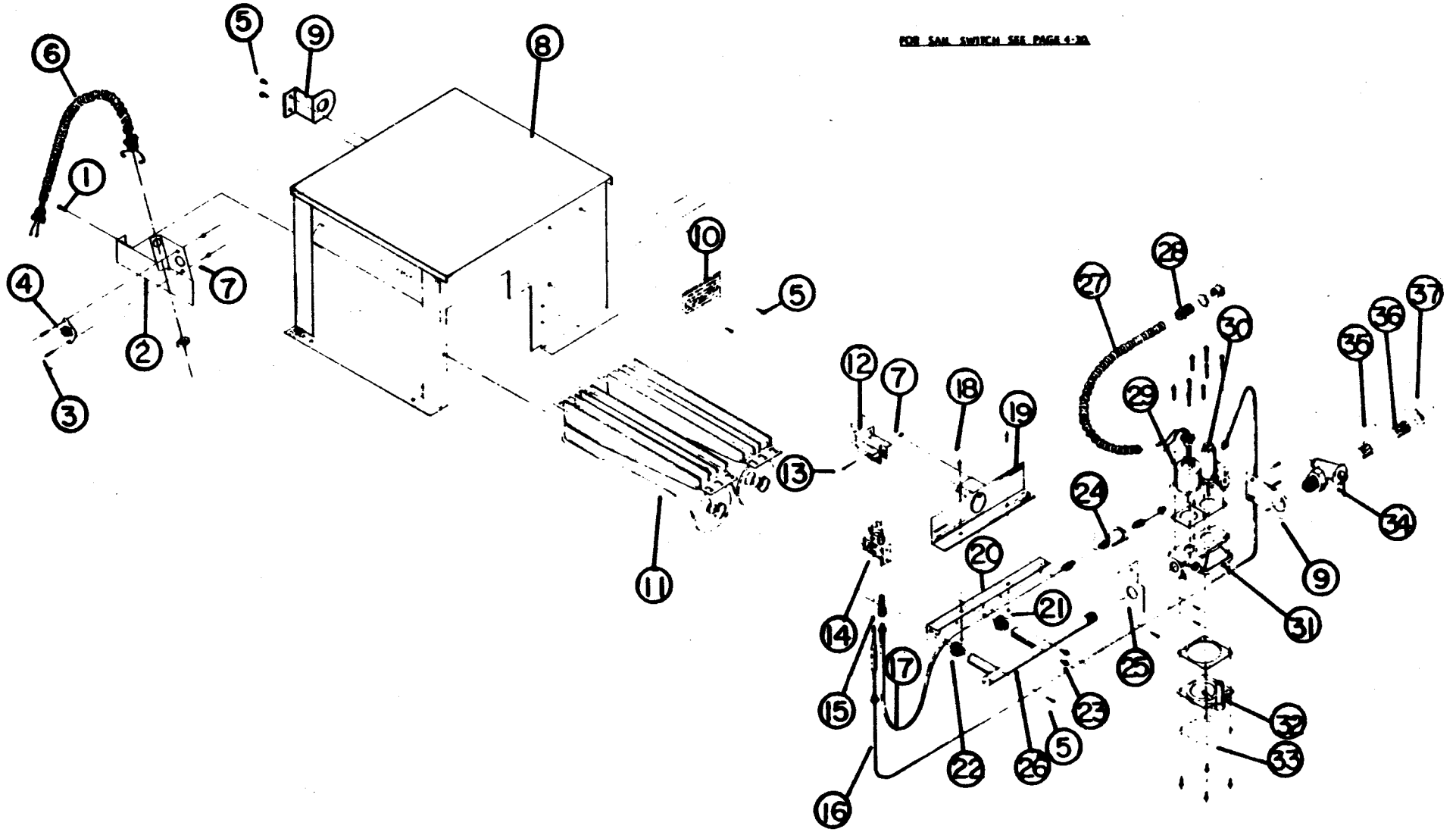
ILLUS. NO.	PART NO.	DESCRIPTION	QTY.	DRYER MODELS UTILIZING PART						
				15#	20#	25#	30#	35#	50#	60#
1	100213	1 1/4" Flange Bearing	1	x	x	x				
3	153002	5/16" Lock Washer	14	x	x	x				
4	100201	1" Flange Bearing	1	x	x	x				
5	152004	5/16"-18 Hex Nut	12	x	x	x				
6	150501	5/16"-18 x 3/4" Hex M.B.	5	x	x	x				
7	153004	3/8" Flat Washer	2	x	x	x				
8	150608	5/16"-18 x 1 1/4 Set Screw	2	x	x	x				
9	801100	Bearing Housing W/Hdwe.	1	x	x	x				
10	100100	66" V-Belt	1	x	x	x				
11	101100	18" Pulley	1	x	x	x				
12	100700	1/4" x 1/4" x 1" Key	1	x	x	x				
13	153003	3/8" x 1 1/2" Fender Washer	1	x	x	x				



ILLUS. NO.	PART NO.	DESCRIPTION	QTY.	DRYER MODELS UTILIZING PART								
				15#	20#	25#	30#	35#	50#	60#	65#	
1	100203	1 3/8" Flange Bearing	1		x	x	x	x	x	x		
2	153005	3/8" Lock Washer	4		x	x	x	x	x	x		
3	152005	3/8"-16 Hex Nut	6		x	x	x	x	x	x		
4	150600	3/8"-16 x 1 1/2" Hex M.B.	2		x	x	x	x	x	x		
5	153004	3/8" Flat Washer	6		x	x	x	x	x	x		
6	100202	1 3/8" Pillow Block Bearing	1		x	x	x	x	x	x		
7	152004	5/16"-18 Hex Nut	8		x	x	x	x	x	x		
8	153002	5/16" Lock Washer	5		x	x	x	x	x	x		
9	150501	5/16"-18 x 3/4" Hex M.B.	5		x	x	x	x	x	x		
10	150503	5/16"-18 x 2" Hex M.B.	2		x	x	x	x	x	x		
11	801101	Bearing Housing W/Hdwe.	1		x	x	x	x	x	x		
12	150608	5/16"-18 x 1 1/4 Set Screw	2		x	x	x	x	x	x		
13	100100	66" V-Belt	1		x	x	x	x	x	x		
14	101100	18" Pulley	1		x	x	x	x	x	x		
	101100	18" Pulley	2									x
15	100700	1/4" x 1/4" x 1" Key	1		x	::	x	x	x	x		
16	153003	3/8" x 1 1/2" Fender Washer	1		x	x	.	x	x	x		

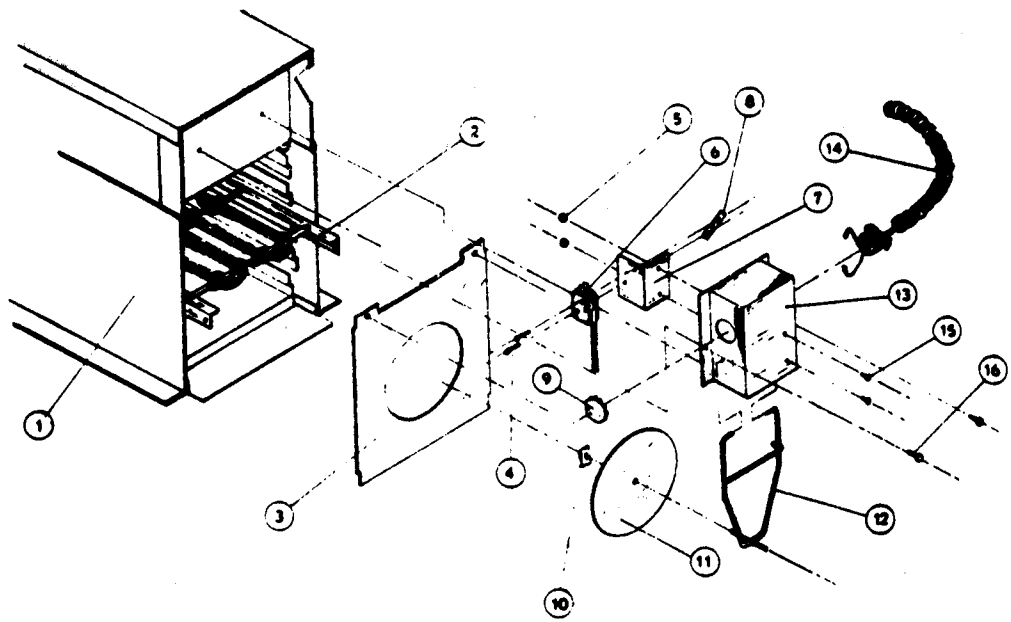


ILLUS. NO.	PART NO.	DESCRIPTION	QTY.	DRYER MODELS UTILIZING PART									
				15#	20#	25#	30#	35#	50#	60#	65#		
1	152004	5/16"-18 Hex Nut	4										
	152005	3/8"-16 Hex Nut	4	x	x	x	x	x			x		
2	153001	5/16" Flat Washer	8	x	x	x	x	x				x	
	153004	3/8" Flat Washer	8								x		
3	800609	Tumbler Support	1	x						x		x	
	800608	Tumbler Support	1										
	800603	Tumbler Support	1		x	x							
	800604	Tumbler Support	1				x						
	800605	Tumbler Support	1					x					
	800606	Tumbler Support	1						x				
	800607	Tumbler Support	1								x		
	4	800700	Tumbler Only	1									x
		800701	Tumbler Only	1	x								
		800702	Tumbler Only	1		x							
800703		Tumbler Only	1			x							
800704		Tumbler Only	1				x						
800705		Tumbler Only	1					x					
800706		Tumbler Only	1						x				
800707		Tumbler Only	1								x		
5	150500	5/16"-18 x 3/4" Sl. Rd. Hd. M.B.	1	x	x	x	x	x	x	x		x	
6	100900	5/16"-18 x 17 1/2" Tie Rod	4	x	x								
	100901	5/16"-18 x 20 1/2" Tie Rod	4										
	100902	5/16"-18 x 31" Tie Rod	4			x							
	100903	3/8"-16 x 38 1/2" Tie Rod	4				x	x			x		
	100905	3/8"-16 x 37" Tie Rod	4						x				
	800809	Tumbler & Tumbler Support Assembly	1	x								x	
	800810	Tumbler & Tumbler Support Assembly	1		x								
	800811	Tumbler & Tumbler Support Assembly	1			x							
8	800803	Tumbler & Tumbler Support Assembly	1				x						
	800804	Tumbler & Tumbler Support Assembly	1					x					
	800805	Tumbler & Tumbler Support Assembly	1						x				
	800806	Tumbler & Tumbler Support Assembly	1							x			
	800808	Tumbler & Tumbler Support Assembly	1								x		
	9	508000	Tumbler & Tumbler Support Assembly	1									x
			Baffle	2							x		

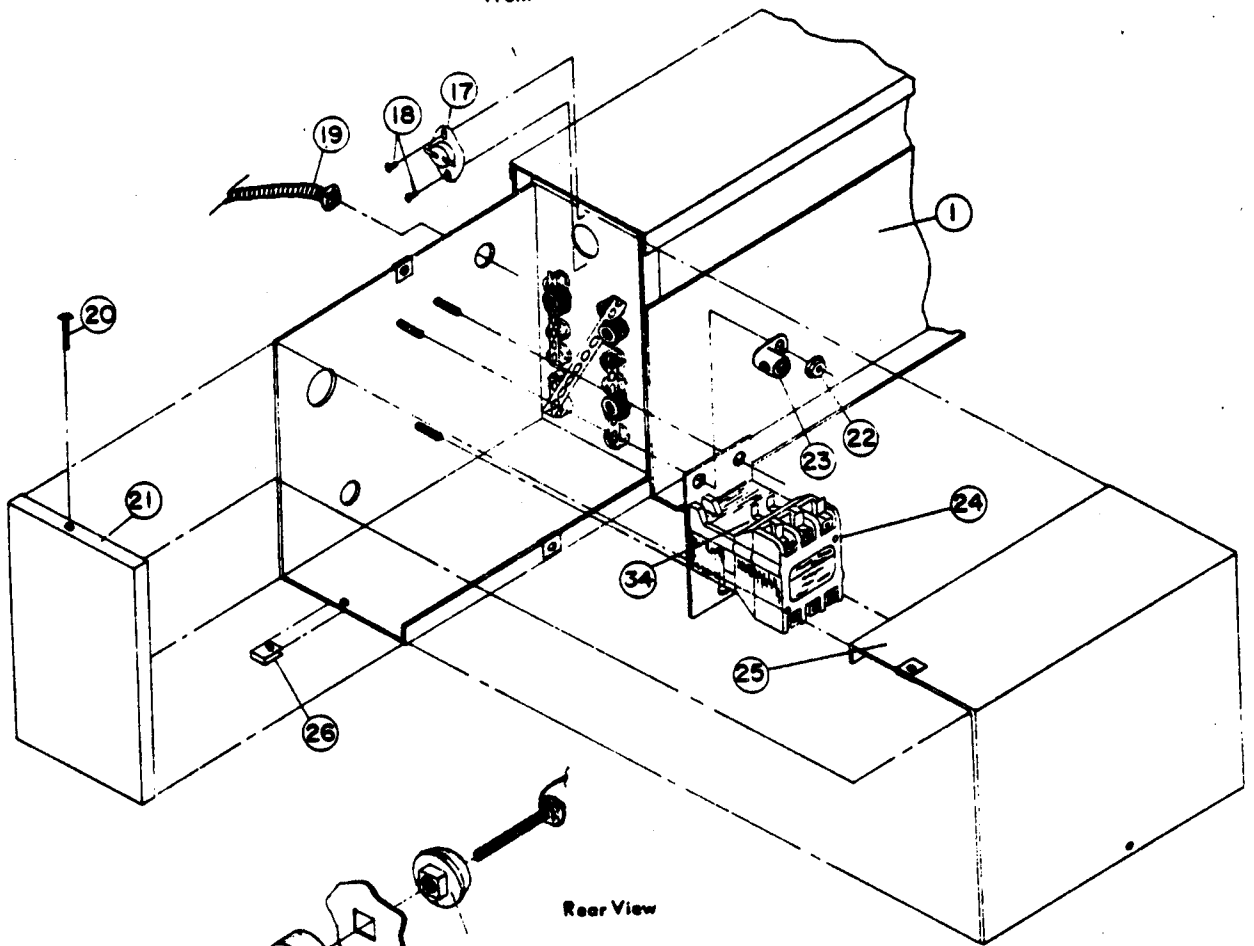


FOR SAM SWITCH SEE PAGE 4-20

ILLUS. NO.	PART NO.	DESCRIPTION	QTY.	DRYER MODELS UTILIZING PART								ILLUS. NO.	PART NO.	DESCRIPTION	QTY.	DRYER MODELS UTILIZING PART							
				15#	20#	25#	30#	35#	50#	60#	65#					15#	20#	25#	30#	35#	50#	60#	65#
1	150300	#10 x 1/2 SDS Tek	2	x	x	x	x	x	x	x		140822	Burner Orifice #27	2			x	x	x				
2	802500	Hi Limit Mfg. Brkt. Only	1	x	x	x	x	x	x	x		140823	Burner Orifice #26	2				x	x				
	802501	Hi Limit Assy. Less Harness	1	x	x	x	x	x	x	x		140824	Burner Orifice #24	2		x							
3	150001	6-32 x 1/2 Rd. Hd. M.S.	2	x	x	x	x	x	x	x		140825	Burner Orifice #23	2		x							
4	130500	1-290 Hi Limit	1		x	x		x	x			140826	Burner Orifice #22	2				x	x				
	130401	1-330 Hi Limit	1	x	x	x	x	x	x	x		140827	Burner Orifice #21	2				x	x				
5	150300	#10 x 1/2 SDS Tek	10	x	x	x	x	x	x	x		140828	Burner Orifice #20	2				x	x				
6	830000	Hi Limit Harness	1	x								140829	Burner Orifice #18	2				x	x				
	830001	Hi Limit Harness	1		x							140830	Burner Orifice #17	2			x		x				
	830002	Hi Limit Harness	1			x						140831	Burner Orifice #16	2			x	x	x				
	830003	Hi Limit Harness	1				x					140832	Burner Orifice #15	2			x		x				
	830004	Hi Limit Harness	1					x				140833	Burner Orifice #14	2				x	x				
	830005	Hi Limit Harness	1						x			140834	Burner Orifice #11	2					x				
	830006	Hi Limit Harness	1							x		140835	Burner Orifice #10	2					x				
7	152000	6-12 Hex Nut	3	x	x	x	x	x	x	x		140836	Burner Orifice #9	2				x					
8	804000	Small Burner Box	1	x	x	x						140837	Burner Orifice #8	2				x					
	804001	Large Burner Box	1				x	x	x	x		140838	Burner Orifice #3	2					x				
		Small Or Large Burner Box Complete (See Page 4-37.)										140839	Burner Orifice #2	2					x				
9	318700	Sm. Burner Pipe Brkt.	1	x	x	x	x	x	x	x		140840	Burner Orifice #1	2					x				
	318701	Sm. Burner Pipe Brkt.	1	x	x	x	x	x	x	x		140841	Burner Orifice #1/16	2	x	x							
	318702	Lg. Burner Pipe Brkt.	1				x	x	x	x		140843	Burner Orifice #1/8	2		x							
10	112200	Pilot Lighting Instr. Plate	1	x	x	x	x	x	x	x	23	140845	Burner Orifice #53	2	x								
11	141100	Small Gas Burner	2	x	x	x					24	150201	10-32 x 1/4" Rd. Hd. M.S.	2	x	x	x	x	x				
	141101	Large Gas Burner	2				x	x	x	x		141000	Filter Only (Nat. & LP)	1	x	x	x	x	x				
12	802600	Pilot Mounting Brkt.	1	x	x	x	x	x	x	x	25	141001	Filter Only (Mfg.)	1	x	x	x	x	x				
13	150002	6-32 x 1" Rd. Hd. M.S.	1	x	x	x	x	x	x	x		318600	Sm. Manifold Brkt.	1	x	x	x	x	x				
14	140500	Double Pilot	1	x	x	x	x	x	x	x	26	318601	Lg. Manifold Brkt.	1				x	x				
15	140700	Pilot Orifice .010 LP	1			x	x					141200	1/2" Manifold	1	x	x	x	x	x				
	140701	Pilot Orifice .012 LP (Std.)	1	x	x	x	x	x	x	x	27	141201	3/4" Manifold	1				x	x				
	140702	Pilot Orifice .021 Nat.	1			x	x					830200	Solenoid Harness 110V	1	x								
	140703	Pilot Orifice .025 Nat. (Std.)	1	x	x	x	x	x	x	x		830201	Solenoid Harness 110V	1		x							
	140704	Pilot Orifice .025 Mfg. (Std.)	1	x	x	x	x	x	x	x		830202	Solenoid Harness 110V	1			x						
16	140600	Thermocouple	1	x	x	x	x	x	x	x		830203	Solenoid Harness 110V	1			x						
17	802901	LP Pilot Line With Filter	1	x	x	x	x	x	x	x		830204	Solenoid Harness 110V	1				x					
	802902	Nat. Pilot Line With Filter	1	x	x	x	x	x	x	x		830205	Solenoid Harness 110V	1					x				
	802903	Mfg. Pilot Line With Filter	1	x	x	x	x	x	x	x		830206	Solenoid Harness 110V	1					x				
	143100	Pilot Line With No Filter	1	x	x	x	x	x	x	x		830300	Solenoid Harness 220V	1	x								
18	150100	8-32 x 1/2" Rd. Hd. M.S.	2	x	x	x	x	x	x	x		830301	Solenoid Harness 220V	1		x							
19	802700	Burner Shield Assy.	1	x	x	x						830302	Solenoid Harness 220V	1			x						
	802701	Burner Shield P.R. Assy.	1	x	x	x						830303	Solenoid Harness 220V	1				x					
	802702	Burner Shield P.R. Assy.	1				x	x	x	x		830304	Solenoid Harness 220V	1					x				
	318800	Burner Shield	1				x	x	x	x		830305	Solenoid Harness 220V	1					x				
20	318900	Sm. Burner Rest	1	x	x	x					28	830306	Solenoid Harness 220V	1					x				
21	152001	8-32 Hex Nut	2	x	x	x	x	x	x	x	29	120100	3/8" Straight Connector	2	x	x	x	x	x				
22	140800	Burner Orifice #52	2	x	x							140100	1/2" - 110V Solenoid	1	x	x	x	x	x				
	140801	Burner Orifice #51	2		x							140102	3/4" - 110V Solenoid	1				x	x				
	140802	Burner Orifice #50	2			x						140101	1/2" - 220V Solenoid	1	x	x	x	x	x				
	140803	Burner Orifice #49	2				x	x			30	140103	3/4" - 220V Solenoid	1				x	x				
	140804	Burner Orifice #48	2			x	x	x				140200	1/2" Pilot Hood	1	x	x	x	x	x				
	140805	Burner Orifice #47	2				x	x			31	140201	3/4" Pilot Hood	1				x	x				
	140806	Burner Orifice #46	2					x				140000	1/2" - 110V Base Gas Valve	1	x	x	x	x	x				
	140807	Burner Orifice #45	2						x			140001	1/2" - 220V Base Gas Valve	1	x	x	x	x	x				
	140808	Burner Orifice #44	2						x			140002	3/4" - 110V Base Gas Valve	1				x	x				
	140809	Burner Orifice #43	2							x	32	140003	3/4" - 220V Base Gas Valve	1				x	x				
	140810	Burner Orifice #42	2							x		140300	1/2" Base Regulator	1	x	x	x	x	x				
	140811	Burner Orifice #41	2							x	33	140301	3/4" Base Regulator	1				x	x				
	140812	Burner Orifice #40	2	x					x	x		140400	1/2" Valve Conversion Plate to LP	1	x	x	x	x	x				
	140813	Burner Orifice #39	2							x		140401	3/4" Valve Conversion Plate to LP	1				x	x				
	140814	Burner Orifice #38	2	x	x					x		880300	Comp. LP Conv. Kit for 1/2 Valve	1	x	x	x	x	x				
	140815	Burner Orifice #37	2							x		880301	Comp. LP Conv. Kit for 3/4 Valve	1				x	x				
	140816	Burner Orifice #36	2								34	141301	1/2" Union Shut Off	1	x	x	x	x	x				
	140817	Burner Orifice #34	2									141300	3/4" Union Shut Off	1				x	x				
	140818	Burner Orifice #31	2								35	142502	1/2" x 3/4" Street Elbow	1		x	x						
	140819	Burner Orifice #30	2									142503	3/4" x 3/4" Street Elbow	1					x				
	140820	Burner Orifice #29	2								36	142700	1/2" Close Nipple	1	x	x	x	x	x				
											37	142500	1/2" Elbow	1	x	x	x	x	x				

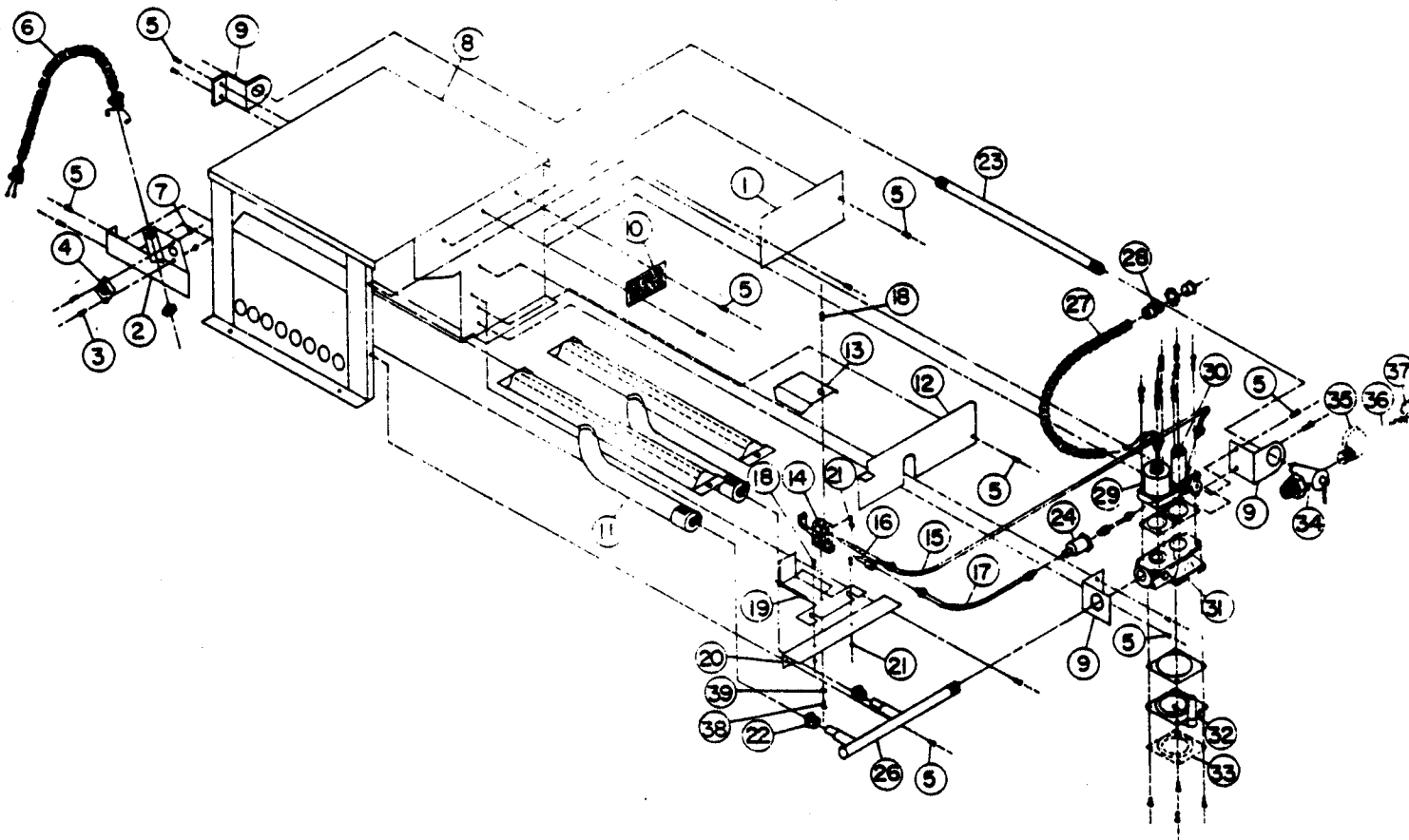


Front View



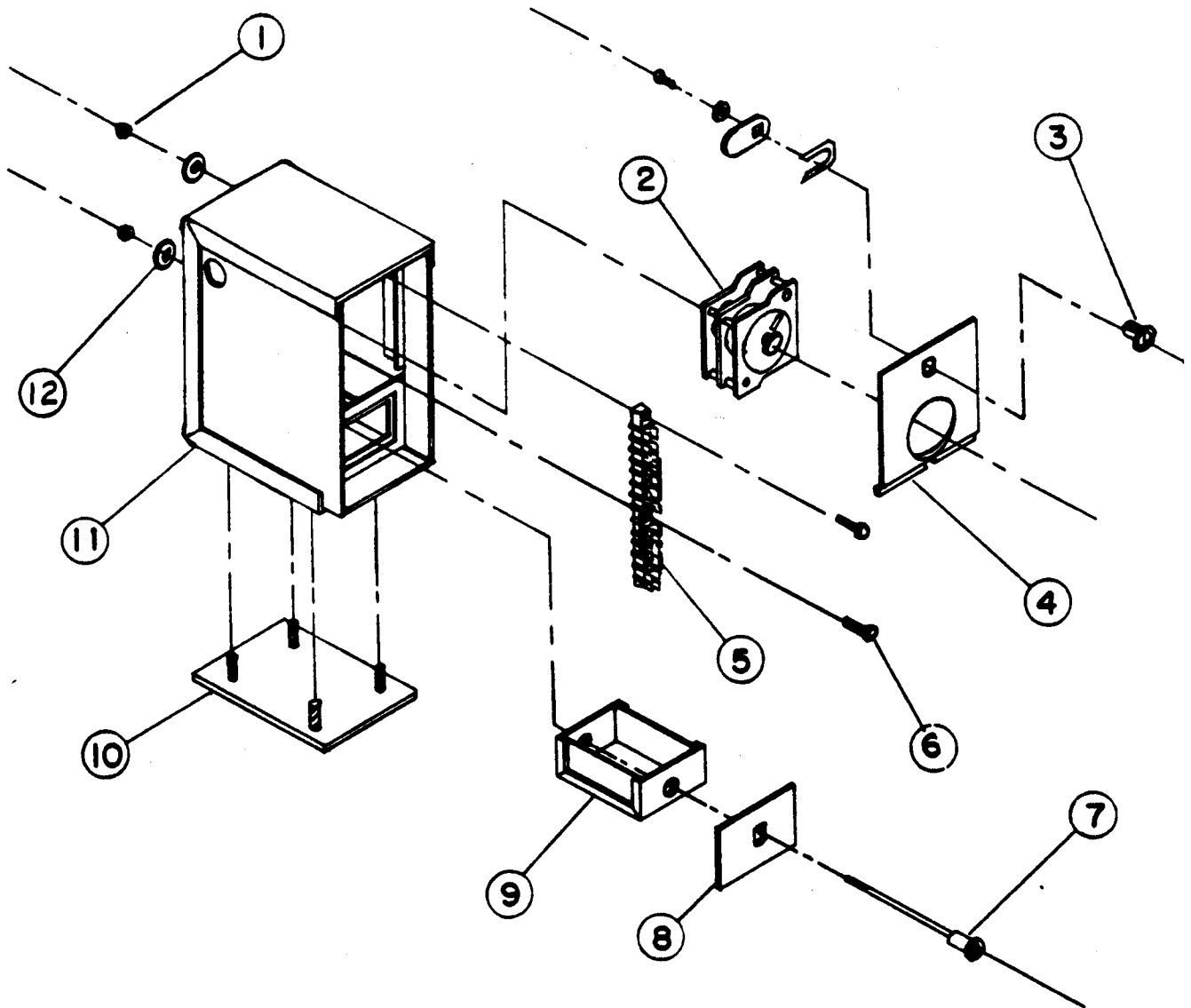
Rear View

ILLUS. NO.	PART NO.	DESCRIPTION	QTY.	DRYER MODELS UTILIZING PART										
				15#	20#	25#	30#	35#	50#	60#	65#			
1	803000	Sm. Electric Oven Box Only	1	x	x	x								
	803001	Lg. Electric Oven Box Only	1				x	x	x	x	x			
		Small and Large Electric Oven Complete - See Page 4-42												
2	120010	4KW 208V 22" Electric Element	Varies				x	x	x	x	x			
	120011	4KW 240V 22" Electric Element	Varies				x	x	x	x	x			
	120012	5KW 208V 22" Electric Element	Varies				x	x	x	x	x			
	120013	5KW 240V 22" Electric Element	Varies				x	x	x	x	x			
	120006	3KW 208V 12 5/8" Electric Element	Varies	x	x	x								
	120007	3KW 240V 12 5/8" Electric Element	Varies	x	x	x								
	120008	4KW 208V 12 5/8" Electric Element	Varies	x	x	x								
	120009	4KW 240V 12 5/8" Electric Element	Varies	x	x	x								
3	803100	Electric Oven Front Cover	1	x	x	x	x	x	x	x	x			
4	150303	#4 x 5/8" Pan Head Screws	2	x	x	x	x	x	x	x	x			
5	152001	8-32 Hex Nut	2	x	x	x	x	x	x	x	x			
6	122200	Sail Switch Only	1	x	x	x	x	x	x	x	x			
7	319203	Sail Switch Mounting Brkt.	1	x	x	x	x	x	x	x	x			
8	154004	Twin Speed Nut	1	x	x	x	x	x	x	x	x			
9		7/8" Dia. Plug	1	x	x	x	x	x	x	x	x			
10	154001	10-24 Speed Nut	1	x	x	x	x	x	x	x	x			
11	319202	Sail Switch Damper	1	x	x	x	x	x	x	x	x			
12	105500	Electric Oven Sail Sw. Rod	1	x	x	x	x	x	x	x	x			
13	802800	Sail Switch Box	1	x	x	x	x	x	x	x	x			
14	830100	Electric Oven Sail Sw. Harness	1	x										
	830101	Electric Oven Sail Sw. Harness	1		x									
	830102	Electric Oven Sail Sw. Harness	1			x								
	830103	Electric Oven Sail Sw. Harness	1				x							
	830104	Electric Oven Sail Sw. Harness	1					x						
	830105	Electric Oven Sail Sw. Harness	1						x					
	830106	Electric Oven Sail Sw. Harness	1							x				
15	150102	8-32 x 3/8" Pan Hd. Screws	2	x	x	x	x	x	x	x	x			
16	150300	#10 x 1/2" SDS Tekes	2	x	x	x	x	x	x	x	x			
17	130401	L-330 High Limit	1	x	x	x	x	x	x	x	x			
18	150301	8-18 x 7/16" #2 SDS Tekes	2	x	x	x	x	x	x	x	x			
19	830109	Electric Oven Hi-Limit Harness	1	x										
	830110	Electric Oven Hi-Limit Harness	1		x									
	830111	Electric Oven Hi-Limit Harness	1			x								
	830112	Electric Oven Hi-Limit Harness	1				x							
	830113	Electric Oven Hi-Limit Harness	1					x						
	830114	Electric Oven Hi-Limit Harness	1						x					
	830115	Electric Oven Hi-Limit Harness	1							x				
20	150403	10-24 x 5/8" Truss Head	4	x	x	x	x	x	x	x	x			
21	321001	Sm. Relay Box Cover	1	x	x	x								
	321000	Lg. Relay Box Cover	1				x	x	x	x	x			
22	152001	Pal Nut	4	x	x	x	x	x	x	x	x			
23	121010	70A 14-4 Term. Lug	1	x	x	x	x	x	x	x	x			
24	131302	110V (50A) Relay	1	x	x	x	x							
	131303	220V (50A) Relay	1	x	x	x	x							
	131304	110V (62A) Relay	1	x	x	x	x	x	x	x	x			
	131305	220V (62A) Relay	1					x	x	x	x			
	131306	110V (75A) Relay	1	x	x	x	x	x	x	x	x			
	131307	220V (75A) Relay	1	x	x	x	x	x	x	x	x			
	131308	110V (93A) Relay	1					x	x	x	x			
	131309	220V (93A) Relay	1						x	x	x			
25	321300	Sm. Relay Box Right Side	1	x	x	x								
	321301	Lg. Relay Box Right Side	1				x	x	x	x	x			
26	154001	10-24 Speed Nut	4	x	x	x	x	x	x	x	x			
27	121010	Terminal Lug Connector (1 Per Phase)	Varies	x	x	x	x	x	x	x	x			
28	120081	Internal Ceramic Insulator (2 Per Element)	Varies	x	x	x	x	x	x	x	x			
29	120080	External Ceramic Insulator (2 Per Element)	Varies	x	x	x	x	x	x	x	x			
30	152008	10-32 Hex Nut (4 Per Element)	Varies	x	x	x	x	x	x	x	x			
31	121011	Bus Bar Hook Up (Set)	1	x	x	x	x	x	x	x	x			
32	153009	#10 Star Washer (2 Per Element)	Varies	x	x	x	x	x	x	x	x			
33	152008	10-32 Hex Nut (4 Per Element)	Varies	x	x	x	x	x	x	x	x			
34	131800	110V Coil For (50A) Relay	1	x	x	x	x							
	131801	220V Coil For (50A) Relay	1	x	x	x	x							
	131802	110V Coil For (62A) Relay	1	x	x			x	x	x	x			
	131803	220V Coil For (62A) Relay	1	x	x				x	x	x			
	131804	110V Coil For (75A) Relay	1	x	x				x	x	x			
	131805	220V Coil For (75A) Relay	1	x	x					x	x			
	131806	110V Coil For (93A) Relay	1			x	x	x	x	x	x			
	131807	220V Coil For (93A) Relay	1					x	x	x	x			

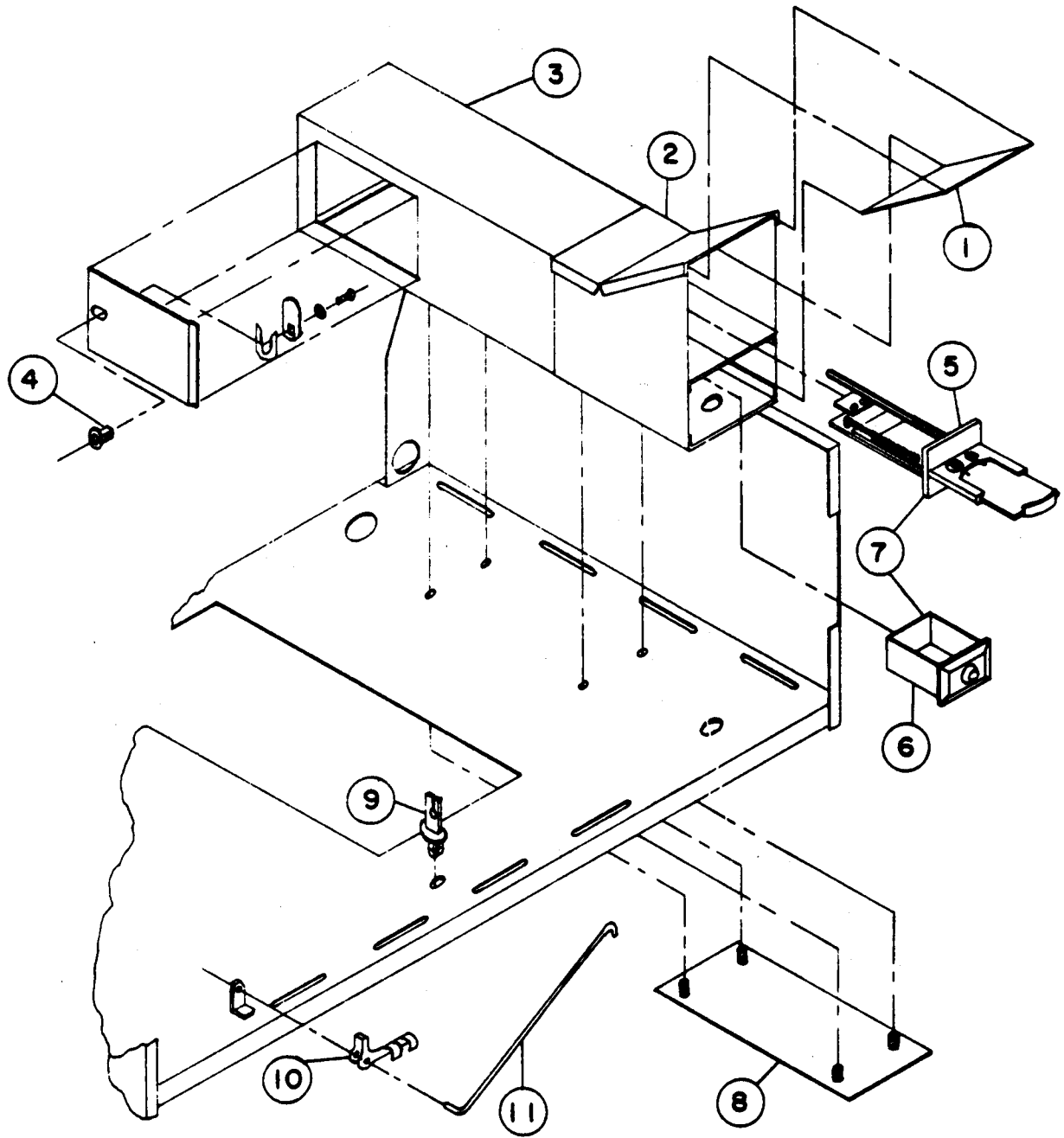


INDIAN BURNERS AFTER MAY, 1976

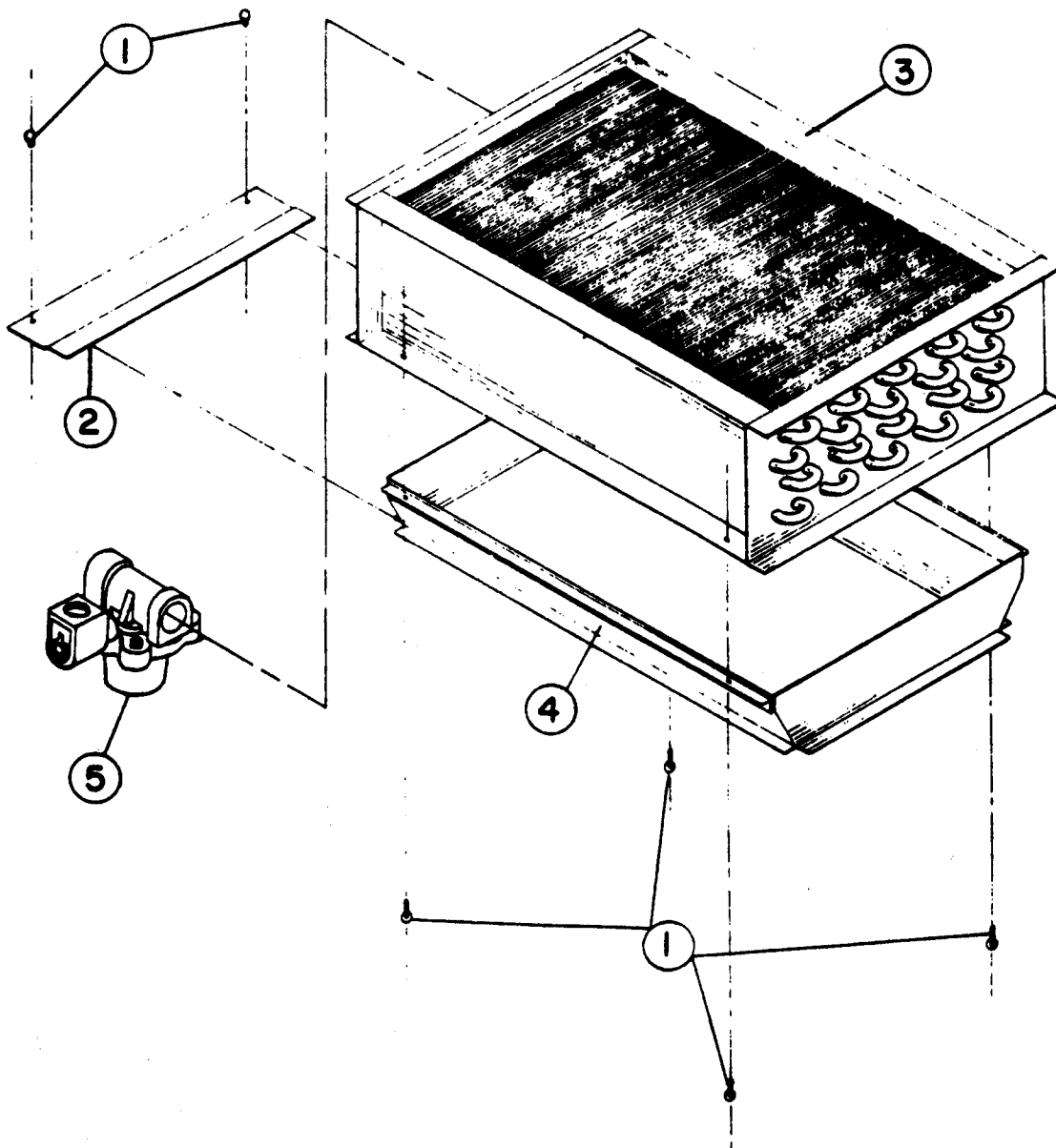
ILLUS. NO.	PART NO.	DESCRIPTION	QTY.	DRYER MODELS UTILIZING PART							
				15#	20#	25#	30#	35#	50#	65#	
1	318801	Heat Shield	1		x	x	x	x	x		
	318800	Heat Shield	1		x	x	x	x	x		
2	319705	Hi Limit Bracket	1							x	x
3	150001	6-32 Rd. Hd. M.S.	2		x	x	x	x	x	x	x
4	130400	L-290 Hi Limit Switch	1		x	x	x	x	x	x	x
5	150300	#10 x 1/2 SWS Screw	13		x	x	x	x	x	x	x
6	830000	Hi Limit Harness	1		x						
	830001	Hi Limit Harness	1			x					
	830002	Hi Limit Harness	1				x				
	830003	Hi Limit Harness	1					x			
	830004	Hi Limit Harness	1						x		
	830005	Hi Limit Harness	1							x	
	830006	Hi Limit Harness	1								x
7	152000	6-32 Hex Nut	2		x	x	x	x	x	x	x
8	804002	Burner Box Tube Type	1		x	x	x				
	804003	Burner Box Tube Type	1					x	x	x	
	804004	Burner Box Tube Type	1								x
9	318700	Pipe Bracket	2		x	x	x	x	x	x	x
10	112200	Instruction Plate (AGA Only)	1		x	x	x	x	x	x	x
11	141104	Main Burner Tube Type	2		x	x	x				
	141105	Main Burner Tube Type	2					x	x		
	141105	Main Burner Tube Type	3							x	x
12	319106	Pilot Shield	1		x	x	x	x	x		
	319107	Pilot Shield	1							x	x
13	319105	Pilot Hood	1		x	x	x	x	x	x	x
14	140500	Double Pilot	1		x	x	x	x	x	x	x
15	140602	Thermocouple	1		x	x	x	x	x		
	140600	Thermocouple	1							x	x
16	140701	.012 L.P. Gas Orifice	1		x	x	x	x	x	x	x
	140703	.025 Nat. Gas Orifice	1		x	x	x	x	x	x	x
	140704	.025 Mfg. Gas Orifice	1		x	x	x	x	x	x	x
17	143100	Pilot Line	1		x	x	x	x	x	x	x
18	150201	10-32 x 1/4 Rd. Hd. M.S.	1		x	x	x	x	x	x	x
19	319104	Pilot Mfg. Brkt. Tube Type	1		x	x	x	x	x	x	x
20	318906	Burner Rest	1		x	x	x	x	x		
	318907	Burner Rest	1							x	x
21	150100	8-32 x 1/2 Rd. Hd. M.S.	2		x	x	x	x	x	x	x
22	See Chart	Main Burner Orifice			x	x	x	x	x	x	x
23	142800	1/2 x 14 Pipe (AGA Only)	1		x	x	x				
	142805	1/2 x 24 Pipe (AGA Only)	1					x	x	x	x
24	141001	Mfg. Gas Pilot Filter	1		x	x	x	x	x	x	x
26	141205	Manifold 1/2-2 Port	1		x	x	x	x	x	x	
	141203	Manifold 1/2-3 Port	1								x
27	830200	Solenoid Harness - 110 Volts	1		x	x	x	x	x	x	x
	830300	Solenoid Harness - 220 Volts	1		x	x	x	x	x	x	x
28	120100	3/8 Straight Connector	1		x	x	x	x	x	x	x
29	140106	110 Volt Solenoid	1		x	x	x	x	x	x	x
	140101	220 Volt Solenoid	1		x	x	x	x	x	x	x
30	140200	Pilot Hood	1		x	x	x	x	x	x	x
31	140100	110 Volt Gas Valve	1		x	x	x	x	x	x	x
	140101	220 Volt Gas Valve	1		x	x	x	x	x	x	x
32	140300	1/2" Base Regulator	1		x	x	x	x	x	x	x
33	140400	1/2" Valve L.P. Conversion Plate	1		x	x	x	x	x	x	x
34	141301	1/2" Union Shut Off (AGA Only)	1		x	x	x	x	x	x	x
35	142502	1/2" x 3/4" Street Elbow	1							x	x
36	142700	1/2" Close Nipple	1		x	x	x	x			
37	142500	1/2" Elbow	1		x	x	x	x			
38	150100	8-32 x 1/2" Rd. Hd. M.S.	2		x	x	x	x	x	x	x
39	152001	8-32 Hex Nut	2		x	x	x	x	x	x	x



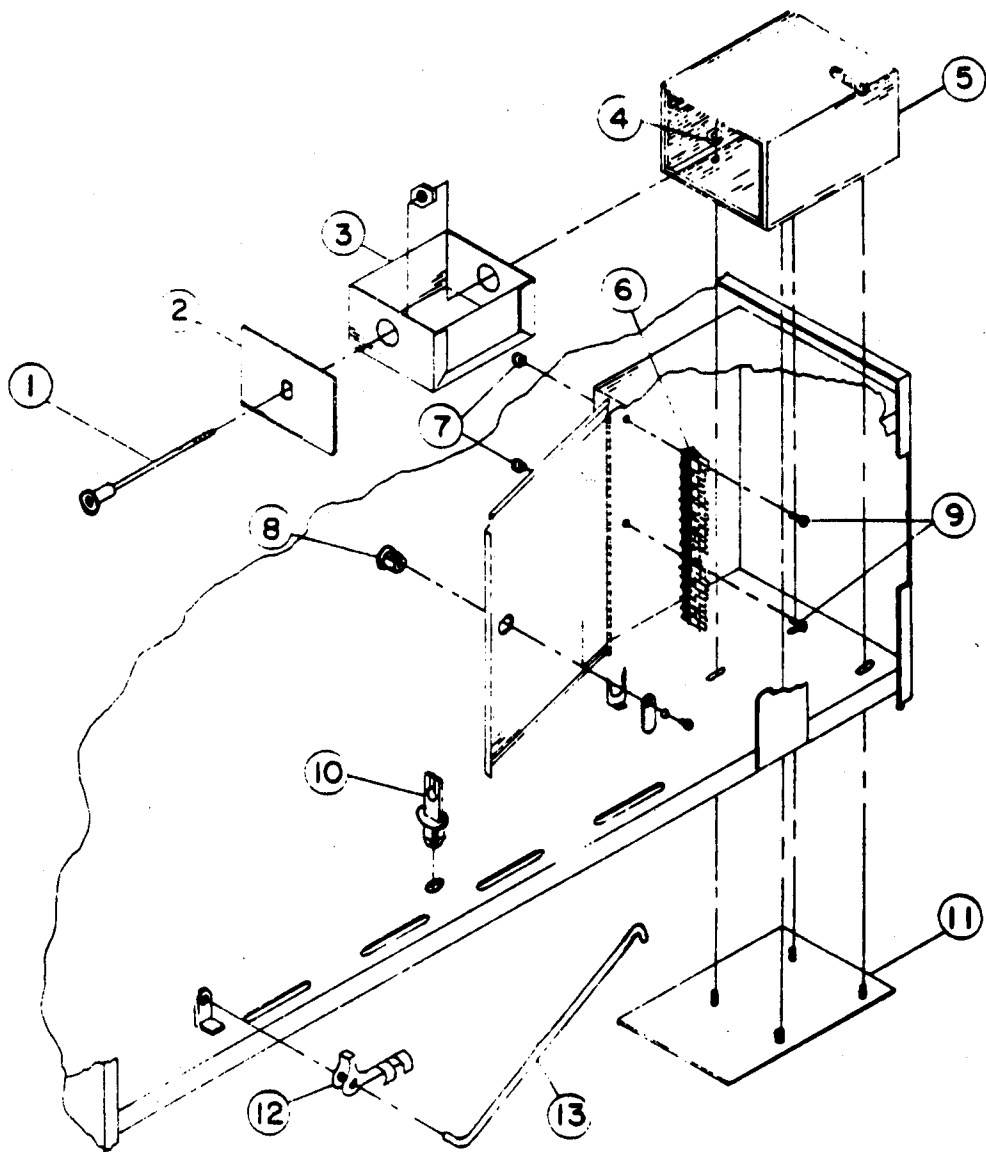
ILLUS. NO.	PART NO.	DESCRIPTION	QTY.	DRYER MODELS UTILIZING PART						
				15#	20#	25#	30#	35#	50#	60#
1	152000	6-32 Hex Nuts	2					x		x
2		Meters and Timers See Page 4-36	1					x		x
3	160002	Wiring Box Lock	1					x		x
4	801606	Meter Case Faceplate Reg. Meter	1					x		x
	801607	Meter Case Faceplate Dual Meter	1					x		x
5	120700	Terminal Board	1					x		x
6	1500C1	#6-32 x 1/2" Rd. Hd. M.S.	2					x		x
7	160000	Coin Box Lock	1					x		x
8	316004	Coin Box Faceplate	1					x		x
9	801605	Coin Box Only	1					x		x
10	801604	Meter Case Mounting Plate	1					x		x
11	801601	Std. Meter Case Assy.	1					x		x
	801602	Dual Meter Case Assy.	1					x		x
	801603	Timer Case Assy.	1					x		x
12	153010	#6 Star Washers	2					x		x



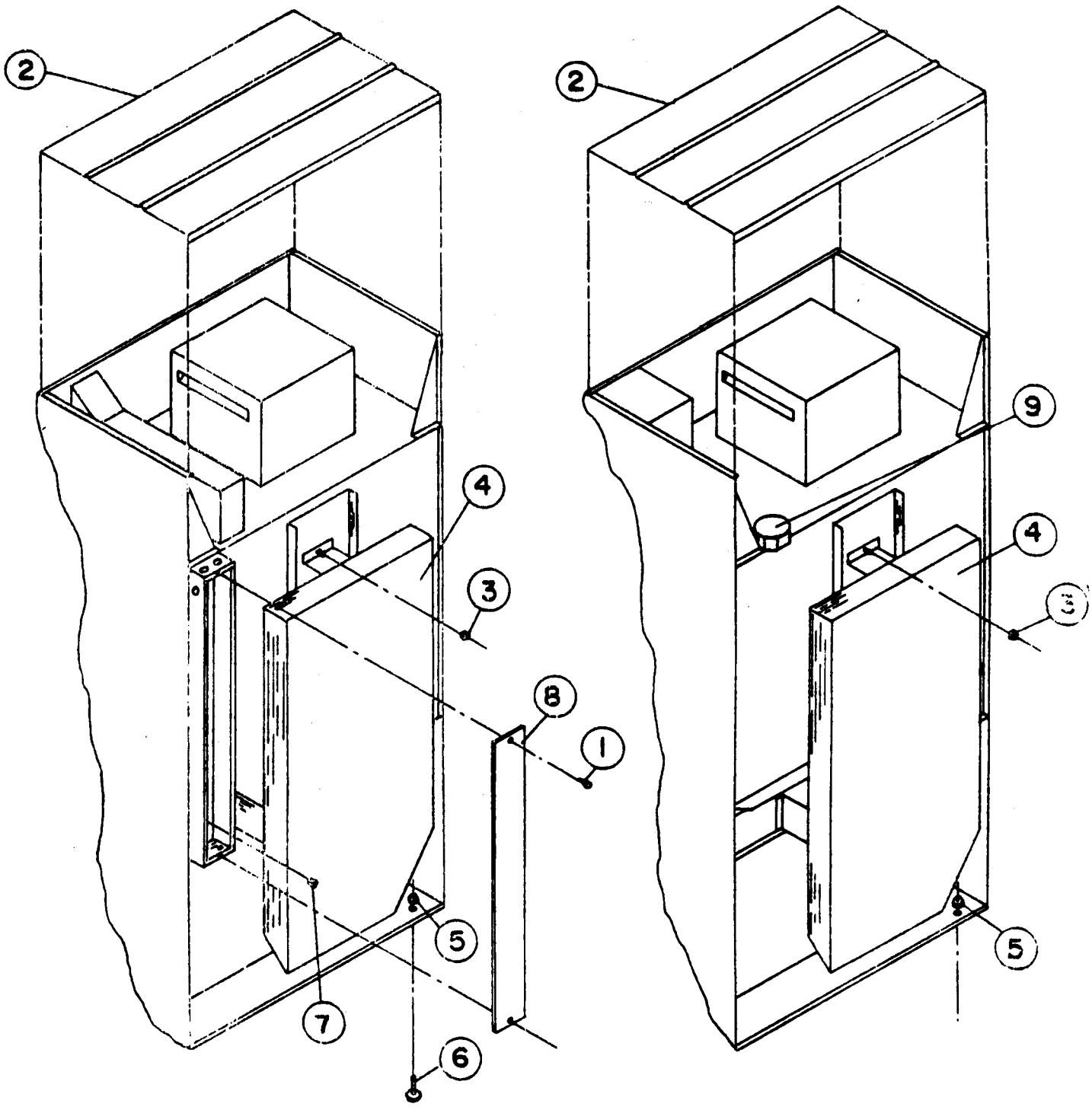
ILLUS. NO.	PART NO.	DESCRIPTION	QTY.	DRYER MODELS UTILIZING PART									
				15#	20#	25#	30#	35#	50#	60#	65#		
1	315404	Stainless Steel Mirror	1	x	x	x	x	x	x				
2	801700	Slide Meter Extension	1	x	x	x	x	x	x				
3	125900	Slide Meter Case W/110V PP Acc.	1	x	x	x	x	x	x				
4	160002	Wiring Box Lock	1	x	x	x	x	x	x				
5	125901	35c Chute	1	x	x	x	x	x	x				
6	125902	Medeco Coin Box	1	x	x	x	x	x	x				
7	125903	35c Medeco Kit	1	x	x	x	x	x	x				
8	801701	Slide Meter Mtng. Plate	1	x	x	x	x	x	x				
9	102600	Support Rod Catch	1	x	x	x	x	x	x	x	x		
10	102601	Rod Retaining Clip	1	x	x	x	x	x	x	x	x	x	
11	102500	Control Door Support Rod	1	x	x	x	x	x	x	x	x	x	x



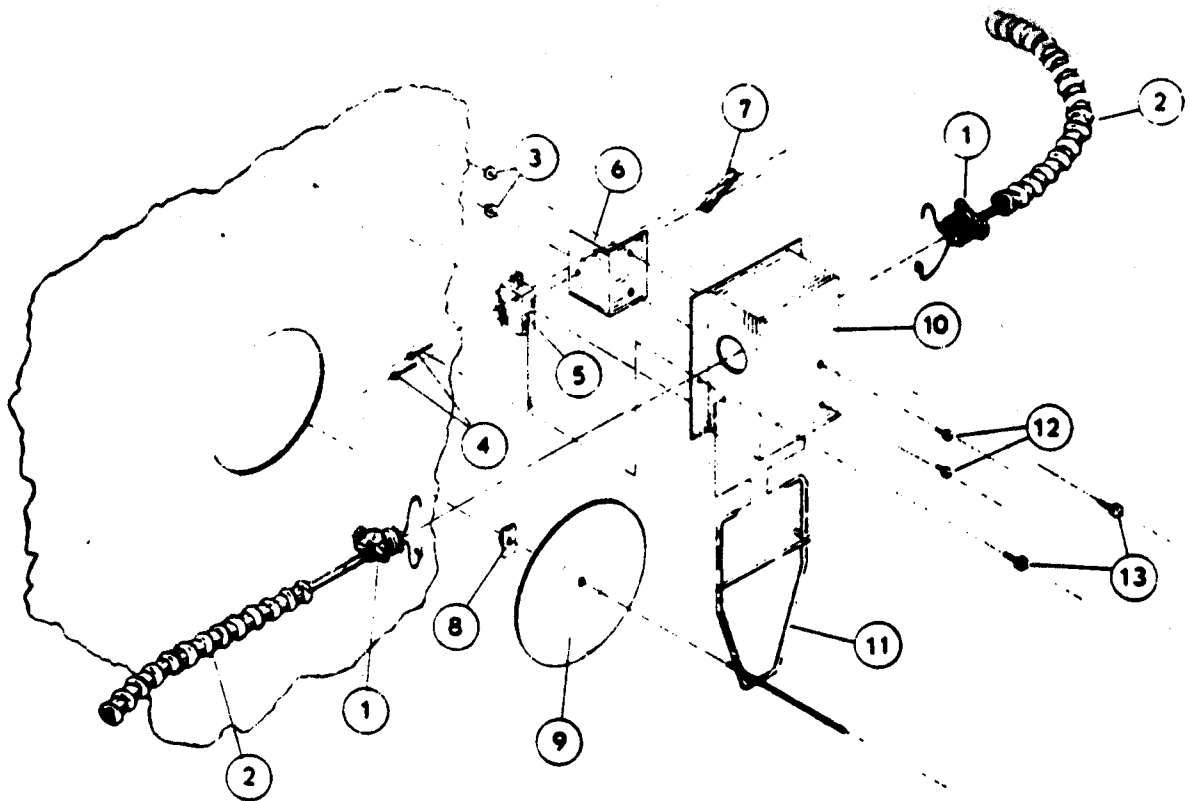
ILLUS. NO.	PART NO.	DESCRIPTION	QTY.	DRYER MODELS UTILIZING PART								
				15#	20#	25#	30#	35#	50#	60#	65#	
1	150300	#10 x 1/2" SDS Tek	6	x	x	x	x	x	x	x	x	x
2	323400	Steam Rack Hold Down	1	x	x	x	x	x	x	x	x	x
3	165000	Sm. Steam Coil (High Pressure)	1	x	x	x						
	165001	Sm. Steam Coil (Low Pressure)	1	x	x	x						
	165002	Lg. Steam Coil (High Pressure)	1				x	x	x	x	x	
	165003	Lg. Steam Coil (Low Pressure)	1				x	x	x	x	x	
4	803503	Sm. Low Pressure Steam Rack	1	x	x	x						
	803502	Sm. High Pressure Steam Rack	1	x	x	x						
	803501	Lg. Low Pressure Steam Rack	1				x	x	x	x	x	
	803500	Lg. High Pressure Steam Rack	1				x	x	x	x	x	
5	165100	1" Steam Valve 110 HP & LP	1	x	x	x						
	165101	1" Steam Valve 220 HP & LP	1	x	x	x						
	165102	1 1/4" Steam Valve 110 HP & LP	1				x	x	x	x	x	
	165103	1 1/4" Steam Valve 220 HP & LP	1				x	x	x	x	x	



ILLUS. NO.	PART NO.	DESCRIPTION	QTY.	DRYER MODELS UTILIZING PART							
				15#	20#	25#	30#	35#	50#	60#	65#
1	160000	Coin Box Lock	1		x	x		x	x	x	x
2	316004	Coin Box Face Plate	1					x	x	x	x
2	316205	Heavy Coin Box Face Plate	1		x	x					
3	801605	Coin Box Only	1		x	x		x	x	x	x
4	152002	1/4" x 20 Hex Nuts	4		x	x					
5	802100	Heavy Coin Vault Assy.	1		x	x					
6	120700	Terminal Board	1		x	x		x	x	x	x
7	152000	6-32 Hex Nut	2		x	x		x	x	x	x
8	160002	Wiring Box Lock	1		x	x		x	x	x	x
9	150001	6-32 x 1/2" R.H. M.S.	2		x	x		x	x	x	x
10	102600	Supt. Rod Catch	1	x	x	x	x	x	x	x	x
11	802102	Heavy Coin Vault Mounting Plate	1		x	x					
12	102601	Rod Retaining Clip	1	x	x	x	x	x	x	x	x
13	102500	Control Door Support Rod	1	x	x	x	x	x	x	x	x
14	802000	Reg. Coin Box Comp.	1					x	x	x	x
	802101	Heavy Coin Vault Coin Box Comp.	1		x	x					
15	802200	Heavy Coin Vault Comp.	1		x	x					

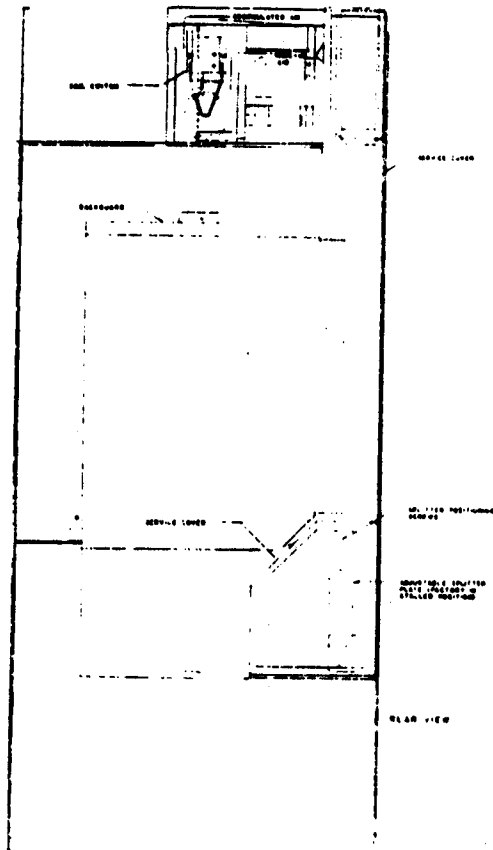


ILLUS. NO.	PART NO.	DESCRIPTION	QTY.	DRYER MODELS UTILIZING PART									
				15#	20#	25#	30#	35#	50#	60#	65#		
1	150300	#10-1/2 SDS Teks	5	x	x	x							
	150300	#10-1/2 SDS Teks	7				x	x	x	x			
2	312504	Outer Top Panel	1	x									
	312503	Outer Top Panel	1		x								
	312500	Outer Top Panel	1			x							
	312502	Outer Top Panel	1				x						
	312501	Outer Top Panel	1					x					
	312505	Outer Top Panel	1						x				
	312506	Outer Top Panel	1							x			
	312510	Outer Top Panel	1								x		
3	152002	1/4"-20 Hex Nut	3	x	x	x	x	x	x	x	x		
4	801505	Back Guard	1	x									
	801500	Back Guard	1		x								
	801501	Back Guard	1			x							
	801507	Back Guard	1				x						
	801502	Back Guard	1					x					
	801503	Back Guard	1						x				
	801504	Back Guard	1								x		
	801509	Back Guard	1									x	
4	801506	Electric Back Guard	1	x									
	801508	Electric Back Guard	1				x						
5	152005	3/8"-16 Hex Nut	4	x	x	x	x	x	x	x	x	x	x
6	103500	Leveling Legs	4	x	x	x	x	x	x	x	x	x	x
7	121400	Bushing	1	x	x	x							
8	311900	Wiring Channel Cover	1	x	x	x							
-	800500	6" Damper Replacement	1	x	x								
-	800501	8" Damper Replacement	1			x	x	x	x	x	x	x	



ILLUS. NO.	PART NO.	DESCRIPTION	QTY.	DRYER MODELS UTILIZING PART									
				15#	20#	25#	30#	35#	50#	60#	65#		
1	120100	3/8" Straight Connector	2	x	x	x	x	x	x	x	x	x	x
2	830000	Sail Switch - Hi Limit Harness	1	x									
	830001	Sail Switch - Hi Limit Harness	1		x								
	830002	Sail Switch - Hi Limit Harness	1			x							
	830003	Sail Switch - Hi Limit Harness	1				x						
	830004	Sail Switch - Hi Limit Harness	1					x					
	830005	Sail Switch - Hi Limit Harness	1						x				
	830006	Sail Switch - Hi Limit Harness	1								x		x
	830100	Sail Switch - Elec. Harness	1	x									
	830101	Sail Switch - Elec. Harness	1		x								
	830102	Sail Switch - Elec. Harness	1			x							
	830103	Sail Switch - Elec. Harness	1				x						
	830104	Sail Switch - Elec. Harness	1					x					
	830105	Sail Switch - Elec. Harness	1						x				
	830106	Sail Switch - Elec. Harness	1									x	x
3	152001	8-32 Hex Nuts	2	x	x	x	x	x	x	x	x	x	x
4	150303	#4 x 5/8" Pan Head Screw	2	x	x	x	x	x	x	x	x	x	x
5	122200	Sail Switch	1	x	x	x	x	x	x	x	x	x	x
6	319203	Sail Switch Mounting Bracket	1	x	x	x	x	x	x	x	x	x	x
7	154004	Twin Speed Nut	1	x	x	x	x	x	x	x	x	x	x
8	154001	10-24 Speed Nut	1	x	x	x	x	x	x	x	x	x	x
9	319202	Sail Switch Damper	1	x	x	x	x	x	x	x	x	x	x
10	802800	Sail Switch Box	1	x	x	x	x	x	x	x	x	x	x
11	105500	Sail Switch Rod	1	x	x	x	x	x	x	x	x	x	x
12	150102	8-32 x 3/8" Pan Head	2	x	x	x	x	x	x	x	x	x	x
13	150300	#10 x 1/2" SDS Teks	2	x	x	x	x	x	x	x	x	x	x
	802801	Sail Switch Box Complete Less Harness	1	x	x	x	x	x	x	x	x	x	x

HEAT RECLAIMER MODELS (GAS)



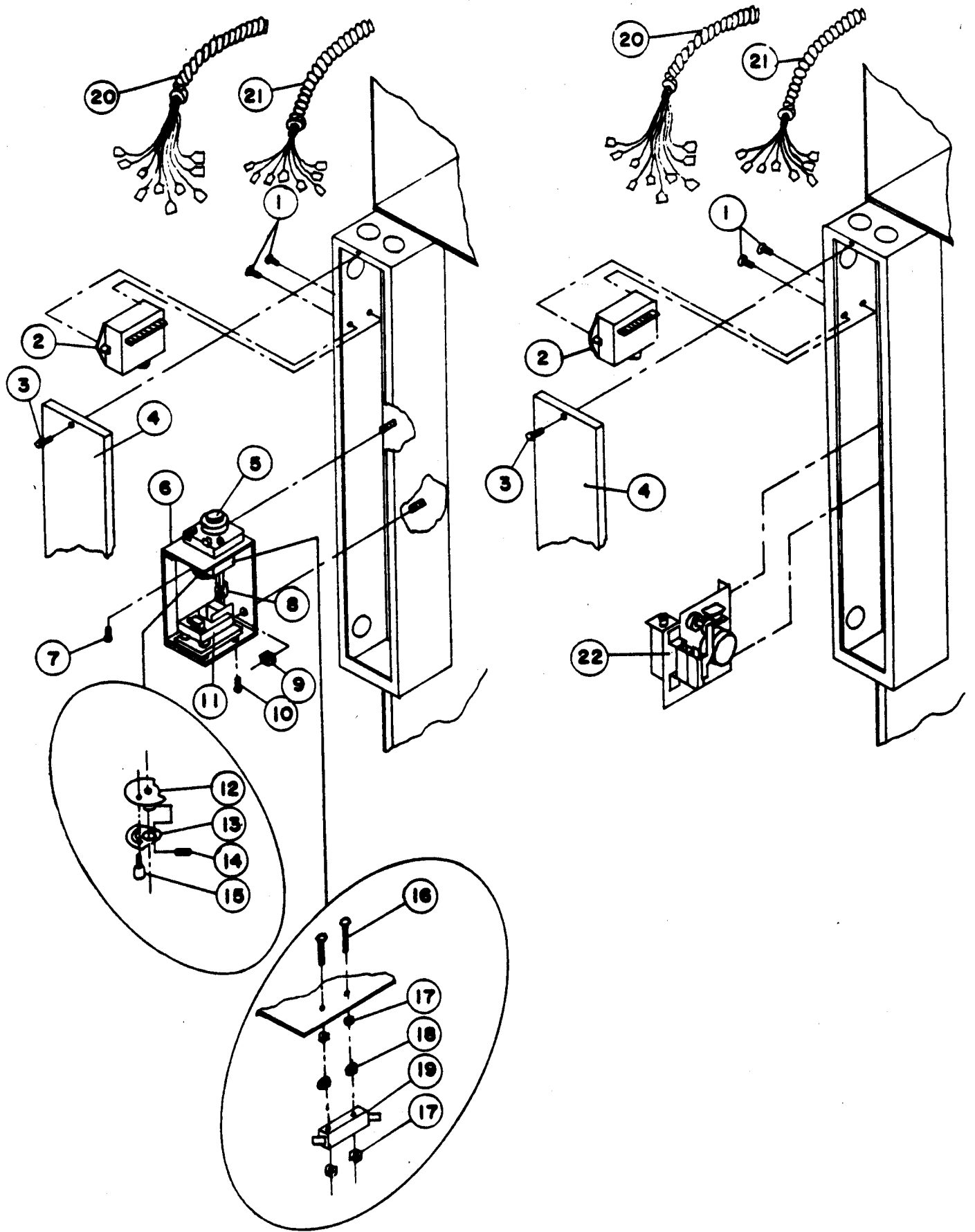
All gas models are available with a Heat Reclaimer and Glo-Bar II electric automatic ignition as optional equipment. Up to 45% gas savings may be realized.

A portion of the hot exhaust air is recirculated via the rear duct into the separate bonnet and flue passages where it is preheated by the hotter make-up air from the burners, and then returned to the tumbler compartment. The rear panels of the recirculating duct are removable for periodic cleaning. (It is suggested the recirculating duct be cleaned at least every thirty hours of dryer operation.)

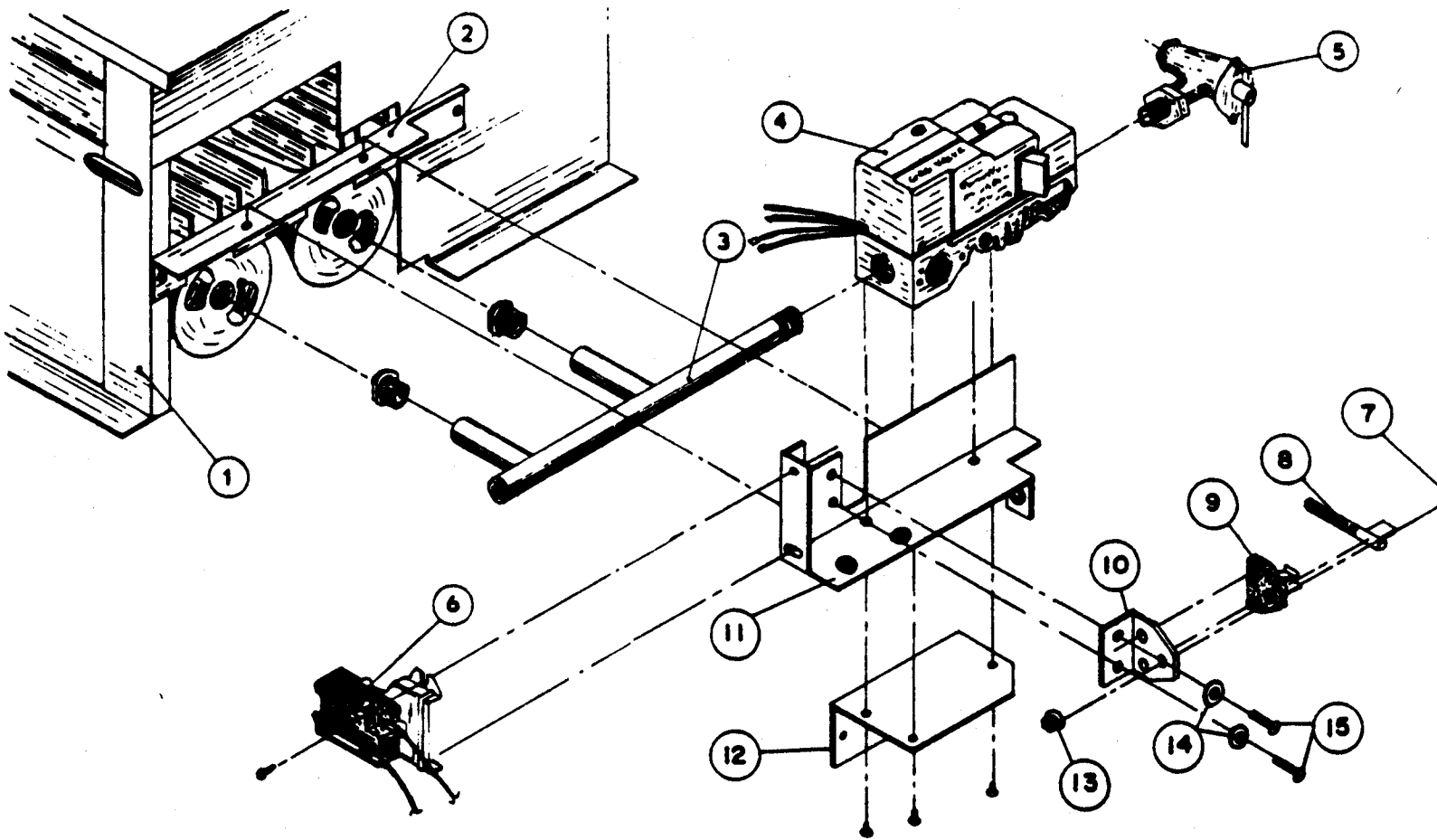
The lower access panel is also provided with a back draft damper and an adjustable splitter plate. The splitter is provided with screw holes for three different positions. It is installed at the factory in the position most suitable for the usual exhaust duct installations of most laundries.

If the duct path is longer than normal, the splitter should be repositioned to the right (as viewed from the rear); to the left for very short exhaust duct paths (which may also provide greater heat savings). Optimum fuel savings can be realized for a particular exhaust duct installation by other positions of the splitter.

IMPORTANT: Always check the operation of the sail switch to insure its proper function without flutter.

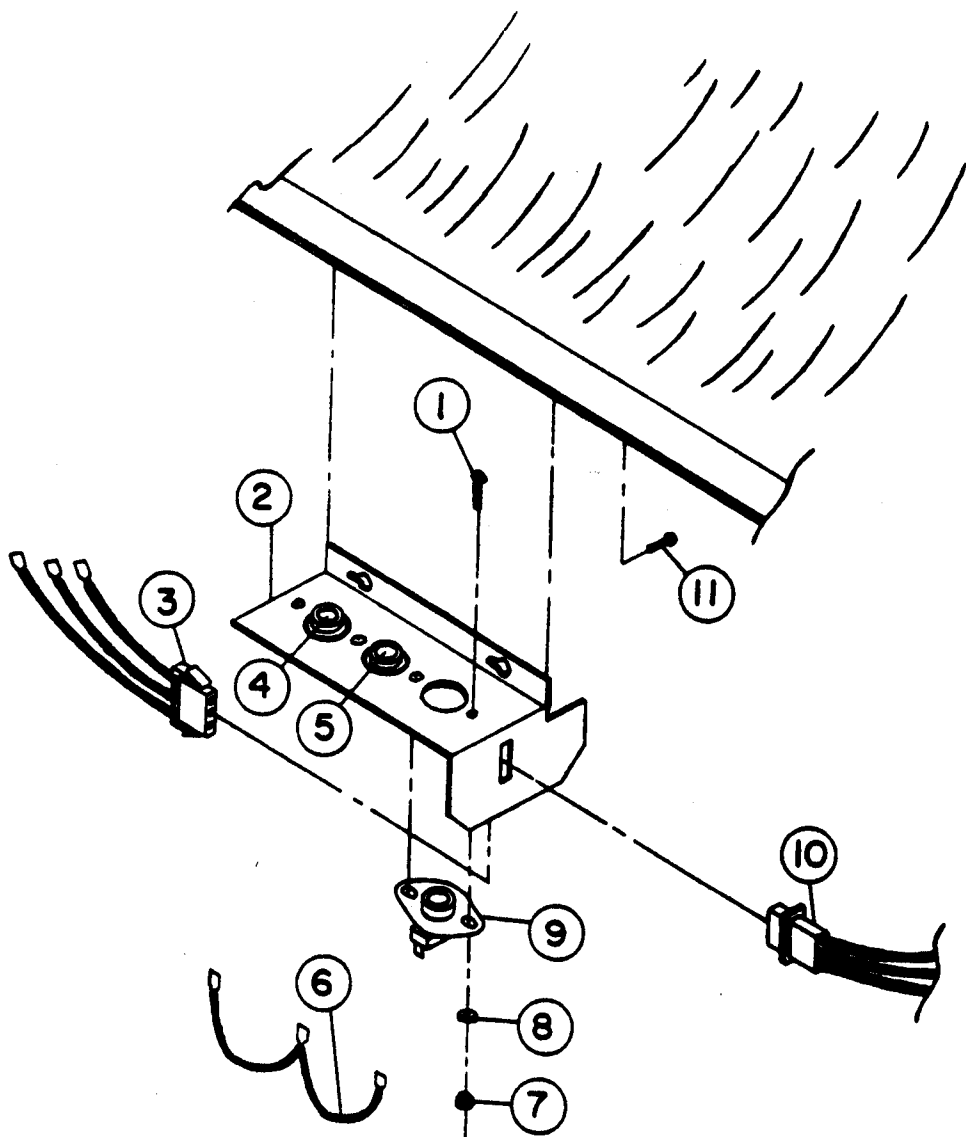


PLUS. NO.	PART NO.	DESCRIPTION	QTY.	DRYER MODELS UTILIZING PART						
				15#	20#	25#	30#	35#	50#	60#
1	125812	#8 x 3/4 H.H. SDS Screw	2	x	x	x	x	x		
2	125801	Electronic Control	1	x	x	x	x	x		
3	150300	#10 x 1/2 Hex Washer Head Screw	2	x	x	x	x	x		
4	311901	Ticket Wiring Channel Cover	1	x	x	x	x	x		
5	125803	Timer	1	x	x	x	x	x		
6	801901	Ticket Assy. Bracket	1	x	x	x	x	x		
7	150105	8-32 x 1/4 R.H. M.S.	2	x	x	x	x	x		
8	125806	Coupling	1	x	x	x	x	x		
9	125002	1/4 x 20 Hex Nut	2	x	x	x	x	x		
10	150102	8-32 x 3/8 Pan Head M.S.	4	x	x	x	x	x		
11	125802	Gear Motor	1	x	x	x	x	x		
12	125807	Adjustable Cam	1	x	x	x	x	x		
13	125809	Adjustable Cam	1	x	x	x	x	x		
14	154300	8-32 x 1/2 Socket Set Screw	1	x	x	x	x	x		
15	125808	Thumb Screw	1	x	x	x	x	x		
16	150002	6-32 x 1 R.H. M.S.	2	x	x	x	x	x		
17	152000	6-32 Hex Nut	4	x	x	x	x	x		
18	153000	#8 Burr	2	x	x	x	x	x		
19	125805	Switch	1	x	x	x	x	x		
20	833100	TC Control Harness	1	x	x	x	x	x		
21	833200	TC Sensor Harness	1	x	x	x	x	x		
22	125821	Greenwald P.P. Accumulator	1	x	x	x	x	x		



Glo-Bar with Automatic Dual Gas Valve

ILLUS. NO.	PART NO.	DESCRIPTION	QTY.	DRYER MODELS UTILIZING PART					
				15#	20#	25#	30#	35#	50#
1	804000	Sm. Gas Burner Box Only	1	x	x	x			
	804001	Lg. Gas Burner Box Only	1						x
		Sm. Glo-Bar Gas Burner Comp. (See Page 4-41)	1	x	x	x			
		Lg. Glo-Bar Gas Burner Comp. (See Page 4-41)	1						x
2	318900	Burner Rest	1	x	x	x			
3	141202	3/8" Manifold	1	x	x	x			
4	140004	3/8" Automatic Dual Valve	1	x	x	x		x	
5	141302	3/8" Union Shut Off	1	x	x	x		x	
6	130500	I.R. Sensor	1	x	x	x		x	
7	150100	6-32 x 7/16" R.H.M.S.	1	x	x	x		x	
8	128900	Glo-Bar 110V	1	x	x	x		x	
9	128909	Glo-Bar Ceramic Block 110V	1	x	x	x		x	
10	319503	Ceramic Block Mtng. Brkt.	1	x	x	x		x	
11	802703	Glo-Bar & Sensor Mtng. Brkt.	1	x	x	x			
	802704	Glo-Bar & Sensor Mtng. Brkt.	1						x
12	319501	Valve Mtng. Brkt.	1	x	x	x		x	
13	152000	Pal Nut #6	1	x	x	x		x	
14	153000	#8 Flat Washer	2	x	x	x		x	
15	150102	8-32 x 7/16" P n Head M.S.	2	x	x	x		x	



ILLUS. NO.	PART NO.	DESCRIPTION	QTY.	DRYER MODELS UTILIZING PART								
				15#	20#	25#	30#	35#	50#	60#	65#	
1	150001	6-32 x 1/2" R.H. M.S.	3	x	x	x	x	x	x	x	x	x
2	305006	Sensor Bracket Only	1	x	x	x	x	x	x	x	x	x
3	122608	3-Pin Amp Connector Male	1	x	x	x	x	x	x	x	x	x
4	130103	L-225 Hi Heat Protector	1	x	x	x	x	x	x	x	x	x
5	130100	Lg. 150 Lo Temp Sensor	1	x	x	x	x	x	x	x	x	x
6	831700	Jumper Wire	1	x	x	x	x	x	x	x	x	x
7	152000	6-32 Hex Nut	1	x	x	x	x	x	x	x	x	x
8	153008	#6 Lock Washer	3	x	x	x	x	x	x	x	x	x
9	130101	Large 180 Hi Temp Sensor	3	x	x	x	x	x	x	x	x	x
10	122609	3-Pin Amp Connector Female	1	x	x	x	x	x	x	x	x	x
11	150300	8-18 x 7/16" Teks	1	x	x	x	x	x	x	x	x	x
			2	x	x	x	x	x	x	x	x	x

ADDITIONAL PARTS AVAILABLE BUT NOT ILLUSTRATED

100013	3/4 HP 208/220/440V 50/60 3Ø Motor	131000	220V Relay for Buzzer
100014	3/4 HP 115/230V 60 Cy. 1Ø Motor	131100	240V 2 Pole Relay
112000	Label - Ultraviolet	131500	120V 4 Pole Relay
112001	Label - Lock Door Securely	131501	240V 4 Pole Relay
112002	Label - For Faster Drying	132000	277-220 Transformer
112014	High Voltage Label	140008	1/2" Valve for Direct Ignition
112015	Manual Reset Label	140009	3/4" Valve for Direct Ignition
112018	Buzzer Arrow Label	142501	3/4" Elbow
112019	More Time Label	142600	1/2" Black Union
112022	10¢-20 Greenwald Decals	142601	3/4" Black Union
112023	35¢ To Start Decal	142701	3/4" Close Nipple
112024	Dual Meter Decal	142702	1/2" x 2 1/2" Nipple
112500	Woodgrain-Walnut-Front Panel	142801	1/2" x 14" Nipple
112501	Woodgrain-Teakwood-Front Panel	142802	3/4" x 24" Nipple
117500	Double Stick Tape	154100	8-32 Rivnut
117600	3/8" x 1/4" Grey Foam Tape	154200	5/32 Pop Rivet
120000	15 1/2" Heating Element 1500W 208V	154201	5/32 Drive Rivet
120001	15 1/2" Heating Element 1500W 240V	154203	1/4" Drive Rivet
120002	21" Heating Element 2000W 208V	160100	Key for Coin Box
120003	21" Heating Element 2000W 240V	160101	Key for D233-A
120004	27" Heating Element 2000W 208V	160102	Key for E-41-A
120005	27" Heating Element 2000W 240V	160300	Straight Cam
120300	3/8 45 Angle Conn.	168000	Millivoltmeter
120500	3/8" Jiffy Clip	168100	Manometer
120701	Terminal Block (4)	168200	Thermometer
120702	Terminal Block (3)	168201	Thermometer Lead
120800	Line Connector	313900	Main Door Striker Pad
120801	Insulators for LDS	314000	Timer Plate (Exterior Mounting)
120802	Red Butt Conn.	315209	Meter Case CB Face Plate
120900	#72B Wire Nut	315602	Sidemount Spacer Plate
120901	Penn Crimp	321800	Relay Box Cover (Conv. Unit)
120902	#74B Wire Nut	801200	Meter Hole Plate
121100	Junction Box	801201	Timer Plate (Interior Mounting)
121101	Junction Box Cover	801400	Sensor Holder Comp.
121500	Harness Ties	801401	Sensor Holder Only
121501	Uniglas Sleeving	801800	Std. SM Mounting Plate
121502	1/2" Spirap	801801	Spec. SM Mounting Plate
121600	Nylon Stand Off	801900	Ticket Box
122402	Rocker Switch - Towels - Unif.	803400	Ozone Junction Box
122500	Toggle Switch (Single Throw)	880000	Parts Kit SM
122501	Toggle Switch (Double Throw)	880001	Parts Kit LG
126000	Ozone Bulb	880300	1/2" LP Conversion Kit - ADG 50
126100	Ozone Ballast	880400	Impeller Puller
128200	Co-Pilot P.R. Electrode	801405	Sensor Brkt. Only
128201	Co-Pilot P.R. Control - 110	801406	Sensor Brkt. Comp.
128202	Co-Pilot P.R. Control - 220	875102	Glo-Bar II - 110 Volts
		875100	Electronic Control - 110 Volts
		875103	Lead Wires for Glo-Bar II

METER & TIMER SECTION

Electric Timers

124000 60 Min. Timer - 110V
 124001 60 Min. Timer - 220V
 124002 30 Min. Timer - 110V
 124003 30 Min. Timer - 220V
 124004 15 Min. Timer - 110V
 124005 15 Min. Timer - 220V

Timer Knobs

124100 60 Min. Timer Knob
 124101 30 Min. Timer Knob
 124102 15 Min. Timer Knob
 124103 Arrow Timer Knob

Buzzer

124800 Buzzer 110V
 124801 Buzzer 220V

Perma Press Meters

125000 25c/30 Min. P.P. 110V Meter
 125001 10c/10 Min. P.P. 110V Meter
 125002 5c/5 Min. P.P. 110V Meter
 125003 25c/30 Min. P.P. 220V Meter
 125004 10c/10 Min. P.P. 220V Meter
 125005 5c/5 Min. P.P. 220V Meter
 125300 Dual Coin P.P. Meter 110V
 125301 Dual Coin P.P. Meter 220V
 125400 35c To Start P.P. Meter 110V
 125401 35c To Start P.P. Meter 220V

Cool Down Meters

125100 25c/30 Min. C.D. 110V Meter
 125101 10c/10 Min. C.D. 110V Meter
 125102 5c/5 Min. C.D. 110V Meter
 125103 25c/30 Min. C.D. 220V Meter
 125104 10c/10 Min. C.D. 220V Meter
 125105 5c/5 Min. C.D. 220V Meter

Timer Labels

112003 60 Min. Timer Label
 112004 60 Min. Timer Label C.D.
 112005 60 Min. Timer Label Buzzer
 112008 30 Min. Timer Label C.D.
 112010 Dual Timer Label 60-15

Reg. Meters

125200 25c/30 Min. Reg. 110V Meter
 125201 10c/10 Min. Reg. 110V Meter
 125202 5c/5 Min. Reg. 110V Meter
 125203 25c/30 Min. Reg. 220V Meter
 125204 10c/10 Min. Reg. 220V Meter
 125205 5c/5 Min. Reg. 220V Meter

Meter Components

125500 2 Pt. Cam
 125501 3 Pt. Cam
 125502 4 Pt. Cam
 125503 5 Pt. Cam
 125504 6 Pt. Cam
 125505 7 Pt. Cam
 125506 8 Pt. Cam
 125507 9 Pt. Cam
 125508 10 Pt. Cam
 125509 11 Pt. Cam
 125510 12 Pt. Cam
 125522 8 Pt. SLM Cam
 125521 10 Pt. SLM Cam
 125511 1 Hr. Meter Clock - 110V
 125512 1 Hr. Meter Clock - 220V
 125519 90 Min. 120V 60 Cy. Clock
 125520 2 Hr. 110V 60 Cy. Clock
 125513 Reg. Meter Switch & Brkt.
 125514 C.D. Meter Switch & Brkt.
 125515 P.P. Meter Time or C.D. Sw.
 125516 P.P. Meter P.P. Switch
 125517 5 NP Conversion Kit
 125518 P.P. Clutch Plate

Export Meters

125206 6d/7 1/2 Min. Exp. Meter
 125207 5 NP/1 - 10 Min. Exp. Meter
 125208 5 Bel. Fr./7 1/2 Min. Exp. Meter
 125209 5 Peseta Exp. Meter
 125210 Token Meter
 125211 New French Fr. Exp. Meter
 125212 Israel Exp. Meter
 125213 Yen 110V P.P. Meter (50)
 125214 10c/7 1/2 Min. Austral. Mtr.
 125215 Yen 110V P.P. Meter (60)

STD. & P.R. BURNER COMPLETE ASSEMBLY

PART NO.	DESCRIPTION	QTY.	DRYER MODELS UTILIZING PART									
			15#	20#	25#	30#	35#	50#	60#	65#		
804200	Std. Nat. - 110 Burner Comp.	1										
804201	Std. Nat. - 110 Burner Comp.	1		x								
804202	Std. Nat. - 110 Burner Comp.	1			x							
804203	Std. Nat. - 110 Burner Comp.	1				x						
804204	Std. Nat. - 110 Burner Comp.	1					x					
804205	Std. Nat. - 110 Burner Comp.	1						x				
804206	Std. Nat. - 110 Burner Comp.	1							x		x	
804300	Std. Nat. - 220 Burner Comp.	1	x									
804301	Std. Nat. - 220 Burner Comp.	1		x								
804302	Std. Nat. - 220 Burner Comp.	1			x							
804303	Std. Nat. - 220 Burner Comp.	1				x						
804304	Std. Nat. - 220 Burner Comp.	1					x					
804305	Std. Nat. - 220 Burner Comp.	1						x				
804306	Std. Nat. - 220 Burner Comp.	1							x		x	
804400	Std. LP - 110 Burner Comp.	1	x									
804401	Std. LP - 110 Burner Comp.	1		x								
804402	Std. LP - 110 Burner Comp.	1			x							
804403	Std. LP - 110 Burner Comp.	1				x						
804404	Std. LP - 110 Burner Comp.	1					x					
804405	Std. LP - 110 Burner Comp.	1						x				
804406	Std. LP - 110 Burner Comp.	1							x			
804500	Std. LP - 220 Burner Comp.	1	x									
804501	Std. LP - 220 Burner Comp.	1		x								
804502	Std. LP - 220 Burner Comp.	1			x							
804503	Std. LP - 220 Burner Comp.	1				x						
804504	Std. LP - 220 Burner Comp.	1					x					
804505	Std. LP - 220 Burner Comp.	1						x				
804506	Std. LP - 220 Burner Comp.	1							x		x	
804600	Std. Mfg. - 110 Burner Comp.	1	x									
804601	Std. Mfg. - 110 Burner Comp.	1		x								
804602	Std. Mfg. - 110 Burner Comp.	1			x							
804603	Std. Mfg. - 110 Burner Comp.	1				x						
804604	Std. Mfg. - 110 Burner Comp.	1					x					
804605	Std. Mfg. - 110 Burner Comp.	1						x				
804606	Std. Mfg. - 110 Burner Comp.	1							x		x	
804700	Std. Mfg. - 220 Burner Comp.	1	x									
804701	Std. Mfg. - 220 Burner Comp.	1		x								
804702	Std. Mfg. - 220 Burner Comp.	1			x							
804703	Std. Mfg. - 220 Burner Comp.	1				x						
804704	Std. Mfg. - 220 Burner Comp.	1					x					
804705	Std. Mfg. - 220 Burner Comp.	1						x				
804706	Std. Mfg. - 220 Burner Comp.	1							x		x	
804800	Std. Mxd. - 110 Burner Comp.	1	x									
804801	Std. Mxd. - 110 Burner Comp.	1		x								
804802	Std. Mxd. - 110 Burner Comp.	1			x							
804803	Std. Mxd. - 110 Burner Comp.	1				x						
804804	Std. Mxd. - 110 Burner Comp.	1					x					
804805	Std. Mxd. - 110 Burner Comp.	1						x				
804806	Std. Mxd. - 110 Burner Comp.	1							x		x	
804900	Std. Mxd. - 220 Burner Comp.	1	x									
804901	Std. Mxd. - 220 Burner Comp.	1		x								
804902	Std. Mxd. - 220 Burner Comp.	1			x							
804903	Std. Mxd. - 220 Burner Comp.	1				x						

PART NO.	DESCRIPTION	QTY.	DRYER MODELS UTILIZING PART							
			15#	20#	25#	30#	35#	50#	60#	65#
804904	Std. Mxd. - 220 Burner Comp.	1					x			
804905	Std. Mxd. - 220 Burner Comp.	1						x		
804906	Std. Mxd. - 220 Burner Comp.	1							x	x
805000	Std. Prop. - 110 Burner Comp.	1	x							
805001	Std. Prop. - 110 Burner Comp.	1		x						
805002	Std. Prop. - 110 Burner Comp.	1			x					
805003	Std. Prop. - 110 Burner Comp.	1				x				
805004	Std. Prop. - 110 Burner Comp.	1					x			
805005	Std. Prop. - 110 Burner Comp.	1						x		
805006	Std. Prop. - 110 Burner Comp.	1							x	x
805100	Std. Prop. - 220 Burner Comp.	1	x							
805101	Std. Prop. - 220 Burner Comp.	1		x						
805102	Std. Prop. - 220 Burner Comp.	1			x					
805103	Std. Prop. - 220 Burner Comp.	1				x				
805104	Std. Prop. - 220 Burner Comp.	1					x			
805105	Std. Prop. - 220 Burner Comp.	1						x		
805106	Std. Prop. - 220 Burner Comp.	1							x	x
805200	AGA Nat. - 110 Burner Comp.	1	x	x						
805201	AGA Nat. - 110 Burner Comp.	1			x					
805202	AGA Nat. - 110 Burner Comp.	1				x				
805203	AGA Nat. - 110 Burner Comp.	1					x			
805204	AGA Nat. - 110 Burner Comp.	1						x	x	x
805300	AGA Nat. - 220 Burner Comp.	1	x	x						
805301	AGA Nat. - 220 Burner Comp.	1			x					
805302	AGA Nat. - 220 Burner Comp.	1				x				
805303	AGA Nat. - 220 Burner Comp.	1					x			
805304	AGA Nat. - 220 Burner Comp.	1						x	x	x
805400	AGA LP - 110 Burner Comp.	1	x	x						
805401	AGA LP - 110 Burner Comp.	1			x					
805402	AGA LP - 110 Burner Comp.	1				x				
805403	AGA LP - 110 Burner Comp.	1					x			
805404	AGA LP - 110 Burner Comp.	1						x	x	x
805500	AGA LP - 220 Burner Comp.	1	x	x						
805501	AGA LP - 220 Burner Comp.	1			x					
805502	AGA LP - 220 Burner Comp.	1				x				
805503	AGA LP - 220 Burner Comp.	1					x			
805504	AGA LP - 220 Burner Comp.	1						x	x	x
805600	AGA Mfg. - 110 Burner Comp.	1	x	x						
805601	AGA Mfg. - 110 Burner Comp.	1			x					
805602	AGA Mfg. - 110 Burner Comp.	1				x				
805603	AGA Mfg. - 110 Burner Comp.	1					x			
805604	AGA Mfg. - 110 Burner Comp.	1						x	x	x
805700	AGA Mfg. - 220 Burner Comp.	1	x	x						
805701	AGA Mfg. - 220 Burner Comp.	1			x					
805702	AGA Mfg. - 220 Burner Comp.	1				x				
805703	AGA Mfg. - 220 Burner Comp.	1					x			
805704	AGA Mfg. - 220 Burner Comp.	1						x	x	x
805800	AGA Mxd. - 110 Burner Comp.	1	x	x						
805801	AGA Mxd. - 110 Burner Comp.	1			x					
805802	AGA Mxd. - 110 Burner Comp.	1				x				
805803	AGA Mxd. - 110 Burner Comp.	1					x			
805804	AGA Mxd. - 110 Burner Comp.	1						x	x	x

PART NO.	DESCRIPTION	QTY.	DRYER MODELS UTILIZING PART									
			15#	20#	25#	30#	35#	50#	60#	65#		
805900	AGA Mxd. - 220 Burner Comp.	1	x	x								
805901	AGA Mxd. - 220 Burner Comp.	1			x							
805902	AGA Mxd. - 220 Burner Comp.	1				x						
805903	AGA Mxd. - 220 Burner Comp.	1					x					
805904	AGA Mxd. - 220 Burner Comp.	1						x	x	x		
806000	AGA Prop. - 110 Burner Comp.	1	x	x								
806001	AGA Prop. - 110 Burner Comp.	1			x							
806002	AGA Prop. - 110 Burner Comp.	1				x						
806003	AGA Prop. - 110 Burner Comp.	1					x					
806004	AGA Prop. - 110 Burner Comp.	1						x	x	x		
806100	AGA Prop. - 220 Burner Comp.	1	x	x								
806101	AGA Prop. - 220 Burner Comp.	1			x							
806102	AGA Prop. - 220 Burner Comp.	1				x						
806103	AGA Prop. - 220 Burner Comp.	1					x					
806104	AGA Prop. - 220 Burner Comp.	1						x	x	x		
806200	P.R. Nat. - 110 Burner Comp.	1	x									
806201	P.R. Nat. - 110 Burner Comp.	1		x								
806202	P.R. Nat. - 110 Burner Comp.	1			x							
806203	P.R. Nat. - 110 Burner Comp.	1				x						
806204	P.R. Nat. - 110 Burner Comp.	1					x					
806205	P.R. Nat. - 110 Burner Comp.	1						x				
806206	P.R. Nat. - 110 Burner Comp.	1							x	x		
806300	P.R. Nat. - 220 Burner Comp.	1	x									
806301	P.R. Nat. - 220 Burner Comp.	1		x								
806302	P.R. Nat. - 220 Burner Comp.	1			x							
806303	P.R. Nat. - 220 Burner Comp.	1				x						
806304	P.R. Nat. - 220 Burner Comp.	1					x					
806305	P.R. Nat. - 220 Burner Comp.	1						x				
806306	P.R. Nat. - 220 Burner Comp.	1							x	x		
806400	P.R. LP - 110 Burner Comp.	1	x									
806401	P.R. LP - 110 Burner Comp.	1		x								
806402	P.R. LP - 110 Burner Comp.	1			x							
806403	P.R. LP - 110 Burner Comp.	1				x						
806404	P.R. LP - 110 Burner Comp.	1					x					
806405	P.R. LP - 110 Burner Comp.	1						x				
806406	P.R. LP - 110 Burner Comp.	1							x			
806500	P.R. LP - 220 Burner Comp.	1	x							x	x	
806501	P.R. LP - 220 Burner Comp.	1		x								
806502	P.R. LP - 220 Burner Comp.	1			x							
806503	P.R. LP - 220 Burner Comp.	1				x						
806504	P.R. LP - 220 Burner Comp.	1					x					
806505	P.R. LP - 220 Burner Comp.	1						x				
806506	P.R. LP - 220 Burner Comp.	1							x			
806600	P.R. Mfg. - 110 Burner Comp.	1	x								x	x
806601	P.R. Mfg. - 110 Burner Comp.	1		x								
806602	P.R. Mfg. - 110 Burner Comp.	1			x							
806603	P.R. Mfg. - 110 Burner Comp.	1				x						
806604	P.R. Mfg. - 110 Burner Comp.	1					x					
806605	P.R. Mfg. - 110 Burner Comp.	1						x				
806606	P.R. Mfg. - 110 Burner Comp.	1							x			
806700	P.R. Mfg. - 220 Burner Comp.	1	x								x	x
806701	P.R. Mfg. - 220 Burner Comp.	1		x								
806702	P.R. Mfg. - 220 Burner Comp.	1			x							

PART NO.	DESCRIPTION	QTY.	DRYER MODELS UTILIZING PART							
			15#	20#	25#	30#	35#	50#	60#	65#
806703	P.R. Mfg. - 220 Burner Comp.	1					x			
806704	P.R. Mfg. - 220 Burner Comp.	1						x		
806705	P.R. Mfg. - 220 Burner Comp.	1							x	
806706	P.R. Mfg. - 220 Burner Comp.	1								x
806800	P.R. Mxd. - 110 Burner Comp.	1	x							x
806801	P.R. Mxd. - 110 Burner Comp.	1		x						
806802	P.R. Mxd. - 110 Burner Comp.	1				x				
806803	P.R. Mxd. - 110 Burner Comp.	1					x			
806804	P.R. Mxd. - 110 Burner Comp.	1						x		
806805	P.R. Mxd. - 110 Burner Comp.	1							x	
806806	P.R. Mxd. - 110 Burner Comp.	1								x
806900	P.R. Mxd. - 220 Burner Comp.	1	x							
806901	P.R. Mxd. - 220 Burner Comp.	1		x						
806902	P.R. Mxd. - 220 Burner Comp.	1				x				
806903	P.R. Mxd. - 220 Burner Comp.	1					x			
806904	P.R. Mxd. - 220 Burner Comp.	1						x		
806905	P.R. Mxd. - 220 Burner Comp.	1							x	
806906	P.R. Mxd. - 220 Burner Comp.	1								x
807000	P.R. Prop. - 110 Burner Comp.	1	x							
807001	P.R. Prop. - 110 Burner Comp.	1		x						
807002	P.R. Prop. - 110 Burner Comp.	1				x				
807003	P.R. Prop. - 110 Burner Comp.	1					x			
807004	P.R. Prop. - 110 Burner Comp.	1						x		
807005	P.R. Prop. - 110 Burner Comp.	1							x	
807006	P.R. Prop. - 110 Burner Comp.	1								x
807100	P.R. Prop. - 220 Burner Comp.	1	x							
807101	P.R. Prop. - 220 Burner Comp.	1		x						
807102	P.R. Prop. - 220 Burner Comp.	1				x				
807103	P.R. Prop. - 220 Burner Comp.	1					x			
807104	P.R. Prop. - 220 Burner Comp.	1						x		
807105	P.R. Prop. - 220 Burner Comp.	1							x	
807106	P.R. Prop. - 220 Burner Comp.	1								x
807200	AGA - P.R. Nat. - 110 Burner Comp.	1	x	x						
807201	AGA - P.R. Nat. - 110 Burner Comp.	1				x				
807202	AGA - P.R. Nat. - 110 Burner Comp.	1					x			
807203	AGA - P.R. Nat. - 110 Burner Comp.	1						x		
807204	AGA - P.R. Nat. - 110 Burner Comp.	1							x	x
807300	AGA - P.R. Nat. - 220 Burner Comp.	1	x	x						
807301	AGA - P.R. Nat. - 220 Burner Comp.	1				x				
807302	AGA - P.R. Nat. - 220 Burner Comp.	1					x			
807303	AGA - P.R. Nat. - 220 Burner Comp.	1						x		
807304	AGA - P.R. Nat. - 220 Burner Comp.	1							x	x
807400	AGA - P.R. L.P. - 110 Burner Comp.	1	x	x						
807401	AGA - P.R. L.P. - 110 Burner Comp.	1				x				
807402	AGA - P.R. L.P. - 110 Burner Comp.	1					x			
807403	AGA - P.R. L.P. - 110 Burner Comp.	1						x		
807404	AGA - P.R. L.P. - 110 Burner Comp.	1							x	x
807500	AGA - P.R. L.P. - 220 Burner Comp.	1	x	x						
807501	AGA - P.R. L.P. - 220 Burner Comp.	1				x				
807502	AGA - P.R. L.P. - 220 Burner Comp.	1					x			
807503	AGA - P.R. L.P. - 220 Burner Comp.	1						x		
807504	AGA - P.R. L.P. - 220 Burner Comp.	1							x	x
807600	AGA - P.R. Mfg. - 110 Burner Comp.	1	x	x						

PART NO.	DESCRIPTION	QTY.	DRYER MODELS UTILIZING PART							
			15#	20#	25#	30#	35#	50#	60#	65#
807601	AGA - P.R. Mfg. - 110 Burner Comp.	1			x					
807602	AGA - P.R. Mfg. - 110 Burner Comp.	1				x				
807603	AGA - P.R. Mfg. - 110 Burner Comp.	1					x			
807604	AGA - P.R. Mfg. - 110 Burner Comp.	1						x	x	x
807700	AGA - P.R. Mfg. - 220 Burner Comp.	1	x	x						
807701	AGA - P.R. Mfg. - 220 Burner Comp.	1			x					
807702	AGA - P.R. Mfg. - 220 Burner Comp.	1				x				
807703	AGA - P.R. Mfg. - 220 Burner Comp.	1					x			
807704	AGA - P.R. Mfg. - 220 Burner Comp.	1						x	x	x
807800	AGA - P.R. Mxd. - 110 Burner Comp.	1	x	x						
807801	AGA - P.R. Mxd. - 110 Burner Comp.	1			x					
807802	AGA - P.R. Mxd. - 110 Burner Comp.	1				x				
807803	AGA - P.R. Mxd. - 110 Burner Comp.	1					x			
807804	AGA - P.R. Mxd. - 110 Burner Comp.	1						x	x	x
807900	AGA - P.R. Mxd. - 220 Burner Comp.	1	x	x						
807901	AGA - P.R. Mxd. - 220 Burner Comp.	1			x					
807902	AGA - P.R. Mxd. - 220 Burner Comp.	1				x				
807903	AGA - P.R. Mxd. - 220 Burner Comp.	1					x			
807904	AGA - P.R. Mxd. - 220 Burner Comp.	1						x	x	x
808000	AGA - P.R. Prop. - 110 Burner Comp.	1	x	x						
808001	AGA - P.R. Prop. - 110 Burner Comp.	1			x					
808002	AGA - P.R. Prop. - 110 Burner Comp.	1				x				
808003	AGA - P.R. Prop. - 110 Burner Comp.	1					x			
808004	AGA - P.R. Prop. - 110 Burner Comp.	1						x	x	x
808100	AGA - P.R. Prop. - 220 Burner Comp.	1	x	x						
808101	AGA - P.R. Prop. - 220 Burner Comp.	1			x					
808102	AGA - P.R. Prop. - 220 Burner Comp.	1				x				
808103	AGA - P.R. Prop. - 220 Burner Comp.	1					x			
808104	AGA - P.R. Prop. - 220 Burner Comp.	1						x	x	x

COMPLETE GLO-BAR BURNER ASSEMBLIES

PART NO.	DESCRIPTION	QTY.	DRYER MODELS UTILIZING PART							
			15#	20#	25#	30#	35#	50#	60#	65#
808200	GB Nat. - 110 Burner Comp.	1	x							
808201	GB Nat. - 110 Burner Comp.	1		x						
808202	GB Nat. - 110 Burner Comp.	1			x					
808203	GB Nat. - 110 Burner Comp.	1				x				
808300	GB LP - 110 Burner Comp.	1	x							
808301	GB LP - 110 Burner Comp.	1		x						
808302	GB LP - 110 Burner Comp.	1			x					
808303	GB LP - 110 Burner Comp.	1				x				
808400	GB Mfg. - 110 Burner Comp.	1	x							
808401	GB Mfg. - 110 Burner Comp.	1		x						
808402	GB Mfg. - 110 Burner Comp.	1			x					
808403	GB Mfg. - 110 Burner Comp.	1				x				
808500	GB Mxd. - 110 Burner Comp.	1	x							
808501	GB Mxd. - 110 Burner Comp.	1		x						
808502	GB Mxd. - 110 Burner Comp.	1			x					
808503	GB Mxd. - 110 Burner Comp.	1				x				
808600	GB Prop. - 110 Burner Comp.	1	x							
808601	GB Prop. - 110 Burner Comp.	1		x						
808602	GB Prop. - 110 Burner Comp.	1			x					
808603	GB Prop. - 110 Burner Comp.	1				x				

PART NO.	DESCRIPTION	QTY.	DRYER MODELS UTILIZING PART							
			15#	20#	25#	30#	35#	50#	60#	65#
808700	AGA - GB Nat. - 110 Burner Comp.	1	x	x						
808701	AGA - GB Nat. - 110 Burner Comp.	1			x					
808702	AGA - GB Nat. - 110 Burner Comp.	1				x				
808800	AGA - GB LP - 110 Burner Comp.	1	x	x						
808801	AGA - GB LP - 110 Burner Comp.	1			x					
808802	AGA - GB LP - 110 Burner Comp.	1				x				
808900	AGA - GB Mfg. - 110 Burner Comp.	1	x	x						
808901	AGA - GB Mfg. - 110 Burner Comp.	1			x					
808902	AGA - GB Mfg. - 110 Burner Comp.	1				x				
809000	AGA - GB Mxd. - 110 Burner Comp.	1	x	x						
809001	AGA - GB Mxd. - 110 Burner Comp.	1			x					
809002	AGA - GB Mxd. - 110 Burner Comp.	1				x				
809100	AGA - GB Prop. - 110 Burner Comp.	1	x	x						
809101	AGA - GB Prop. - 110 Burner Comp.	1			x					
809102	AGA - GB Prop. - 110 Burner Comp.	1				x				

ELECTRIC OVEN COMPLETE ASSEMBLY

PART NO.	DESCRIPTION	QTY.	DRYER MODELS UTILIZING PART							
			15#	20#	25#	30#	35#	50#	60#	65#
815000	12KW 208V 1 Ph. Oven Comp.	1	x	x						
815001	15KW 208V 1 Ph. Oven Comp.	1	x	x						
815002	18KW 208V 1 Ph. Oven Comp.	1		x	x					
815003	20KW 208V 1 Ph. Oven Comp.	1				x	x	x	x	x
815100	12KW 208V 3 Ph. Oven Comp.	1	x	x						
815101	15KW 208V 3 Ph. Oven Comp.	1				x				
815102	18KW 208V 3 Ph. Oven Comp.	1		x	x					
815103	24KW 208V 3 Ph. Oven Comp.	1			x					
815104	24KW 208V 3 Ph. Oven Comp.	1				x	x	x	x	x
815105	30KW 208V 3 Ph. Oven Comp.	1					x	x	x	x
815200	12KW 230V 1 Ph. Oven Comp.	1	x	x						
815201	15KW 230V 1 Ph. Oven Comp.	1	x	x						
815202	18KW 230V 1 Ph. Oven Comp.	1		x	x					
815203	20KW 230V 1 Ph. Oven Comp.	1				x	x	x	x	x
815300	12KW 230V 3 Ph. Oven Comp.	1	x	x						
815301	15KW 230V 3 Ph. Oven Comp.	1				x				
815302	18KW 230V 3 Ph. Oven Comp.	1		x	x					
815303	24KW 230V 3 Ph. Oven Comp.	1			x					
815304	24KW 230V 3 Ph. Oven Comp.	1				x	x	x	x	x
815305	30KW 230V 3 Ph. Oven Comp.	1					x	x	x	x
815400	15KW 380V 3 Ph. Oven Comp.	1	x	x	x					
815401	20KW 380V 3 Ph. Oven Comp.	1			x					
815402	20KW 380V 3 Ph. Oven Comp.	1				x	x	x	x	x
815403	25KW 380V 3 Ph. Oven Comp.	1					x	x	x	x
815500	18KW 416V 3 Ph. Oven Comp.	1		x	x					
815501	24KW 416V 3 Ph. Oven Comp.	1			x					
815602	24KW 416V 3 Ph. Oven Comp.	1					x	x	x	x
815603	30KW 416V 3 Ph. Oven Comp.	1					x	x	x	x
815700	18KW 480V 3 Ph. Oven Comp.	1		x	x					
815701	24KW 480V 3 Ph. Oven Comp.	1			x					
815702	24KW 480V 3 Ph. Oven Comp.	1					x	x	x	x
815703	30KW 480V 3 Ph. Oven Comp.	1					x	x	x	x

MOTOR HARNESES

PART NO.	DESCRIPTION	QTY.	DRYER MODELS UTILIZING PART											
			15#	20#	25#	30#	35#	50#	60#	65#				
831000	Motor Harness (G-S)	1	x											
831001	Motor Harness (G-S)	1		x										
831002	Motor Harness (G-S)	1			x									
831003	Motor Harness (G-S)	1				x								
831004	Motor Harness (G-S)	1					x							
831005	Motor Harness (G-S)	1						x						
831006	Motor Harness (G-S)	1							x					
831007	Motor Harness (G-S)	1	x									x	x	
831008	Motor Harness (G-S)	1		x										
831009	Motor Harness (G-S)	1			x									
831100	Motor Harness (E)	1	x											
831101	Motor Harness (E)	1		x										
831102	Motor Harness (E)	1			x									
831103	Motor Harness (E)	1				x								
831104	Motor Harness (E)	1					x							
831105	Motor Harness (E)	1						x						
831106	Motor Harness (E)	1							x					
831107	Motor Harness (E)	1	x									x	x	
831108	Motor Harness (E)	1		x										
831109	Motor Harness (E)	1			x									
831110	Motor Harness (E)	1				x								
831111	Motor Harness (E)	1					x							
831112	Motor Harness (E)	1						x						
831113	Motor Harness (E)	1							x					
831200	Motor Harness (G-S) Ex.	1	x											
831201	Motor Harness (G-S) Ex.	1		x										
831202	Motor Harness (G-S) Ex.	1			x									
831203	Motor Harness (G-S) Ex.	1				x								
831204	Motor Harness (G-S) Ex.	1					x							
831205	Motor Harness (G-S) Ex.	1						x						
831206	Motor Harness (G-S) Ex.	1							x					
831207	Motor Harness (G-S) Ex.	1	x											
831208	Motor Harness (G-S) Ex.	1		x										
831209	Motor Harness (G-S) Ex.	1			x									
831300	Motor Harness (E) Ex.	1	x											
831301	Motor Harness (E) Ex.	1		x										
831302	Motor Harness (E) Ex.	1			x									
831303	Motor Harness (E) Ex.	1				x								
831304	Motor Harness (E) Ex.	1					x							
831305	Motor Harness (E) Ex.	1						x						
831306	Motor Harness (E) Ex.	1							x					
831400	3 Ph. Motor Harness	1	x											
831401	3 Ph. Motor Harness	1		x										
831402	3 Ph. Motor Harness	1			x									
831403	3 Ph. Motor Harness	1				x								
831404	3 Ph. Motor Harness	1					x							
831405	3 Ph. Motor Harness	1						x						
831406	3 Ph. Motor Harness	1							x					
831460	Rev. Drive Motor Harness	1								x		x	x	
831461	Rev. Drive Motor Harness	1								x		x	x	

MOTOR MOUNT COMPLETE

PART NO.	DESCRIPTION:	QTY.	DRYER MODELS UTILIZING PART							
			15#	20#	25#	30#	35#	50#	60#	
803700	MM 1/3-110/60/1 Comp.	1	x							
803701	MM 1/3-220/60/1 Comp.	1	x							
803702	MM 1/2-208/60/3 Comp.	1	x							
803703	MM 1/2-230/60/3 Comp.	1	x							
803704	MM 1/3-110/60/1 STM Comp.	1	x							
803707	MM 1/2-220/60/3 STM Comp.	1	x							
803708	MM 1/2-220/50/1 EXP Comp.	1	x							
803709	MM 1/2-440/50/3 EXP Comp.	1	x							
803710	MM 1/3-100/50/1 EXP Comp.	1	x							
803711	MM 1/2-220/50/1 XPSTM Comp.	1	x							
803712	MM 1/2-440/50/3 XPSTM Comp.	1	x							
803713	MM 1/3-100/50/1 XPSTM Comp.	1	x							
803724	MM 1/3-110/60/1 Comp.	1						x		
803725	MM 1/3-220/60/1 Comp.	1						x		
803726	MM 1/2-208/60/3 Comp.	1						x		
803727	MM 1/2-230/60/3 Comp.	1						x		
803728	MM 1/3-110/60/1 STM Comp.	1						x		
803729	MM 1/3-220/60/1 STM Comp.	1						x		
803730	MM 1/2-208/60/3 STM Comp.	1						x		
803731	MM 1/2-220/60/3 STM Comp.	1						x		
803732	MM 1/2-220/50/1 EXP Comp.	1						x		
803733	MM 1/2-440/50/3 EXP Comp.	1						x		
803734	MM 1/3-100/50/1 EXP Comp.	1						x		
803735	MM 1/2-220/50/1 XPSTM Comp.	1						x		
803736	MM 1/2-440/50/3 XPSTM Comp.	1						x		
803737	MM 1/3-100/50/1 XPSTM Comp.	1						x		
803748	MM 1/3-110/60/1 Comp.	1							x	
803749	MM 1/3-220/60/1 Comp.	1							x	
803750	MM 1/2-208/60/3 Comp.	1							x	
803751	MM 1/2-230/60/3 Comp.	1							x	
803752	MM 1/2-110/60/1 STM Comp.	1							x	
803753	MM 1/2-220/60/1 STM Comp.	1							x	
803754	MM 1/2-208/60/3 STM Comp.	1							x	
803755	MM 1/2-220/60/3 STM Comp.	1							x	
803756	MM 1/2-220/50/1 EXP Comp.	1							x	
803758	MM 1/3-100/50/1 EXP Comp.	1							x	
803759	MM 1/2-220/50/1 XPSTM Comp.	1							x	
803760	MM 1/2-440/50/3 XPSTM Comp.	1							x	
803761	MM 1/3-100/50/1 XPSTM Comp.	1							x	
803800	MM 1/2-110/60/1 Comp.	1								x
803801	MM 1/2-220/60/1 Comp.	1								x
803802	MM 1/2-208/60/3 Comp.	1								x
803803	MM 1/2-230/60/3 Comp.	1								x
803804	MM 1/2-110/60/1 STM Comp.	1								x
803805	MM 1/2-220/60/1 STM Comp.	1								x
803806	MM 1/2-208/60/3 STM Comp.	1								x
803807	MM 1/2-220/60/3 STM Comp.	1								x
803808	MM 1/2-220/50/1 EXP Comp.	1								x
803809	MM 1/2-440/50/3 EXP Comp.	1								x
803810	MM 1/2-100/50/1 EXP Comp.	1								x
803811	MM 1/2-220/50/1 XPSTM Comp.	1								x
803812	MM 1/2-440/50/3 XPSTM Comp.	1								x
803813	MM 1/2-100/50/1 XPSTM Comp.	1								x

PART NO.	DESCRIPTION	QTY.	DRYER MODELS UTILIZING PART											
			15#	20#	25#	30#	35#	50#	60#	65#				
803824	MM 1/2-110/60/1 Comp.	1						x						
803825	MM 1/2-220/60/1 Comp.	1						x						
803826	MM 1/2-208/60/3 Comp.	1						x						
803827	MM 1/2-230/60/3 Comp.	1						x						
603828	MM 1/2-110/60/1 STM Comp.	1						x						
803829	MM 1/2-220/60/1 STM Comp.	1						x						
803830	MM 1/2-208/60/3 STM Comp.	1						x						
803831	MM 1/2-220/60/3 STM Comp.	1						x						
803832	MM 1/2-220/50/1 EXP Comp.	1						x						
803833	MM 1/2-440/50/3 EXP Comp.	1						x						
803834	MM 1/2-100/50/1 EXP Comp.	1						x						
803835	MM 1/2-220/50/1 XPSTM Comp.	1						x						
803836	MM 1/2-440/50/3 XPSTM Comp.	1						x						
803837	MM 1/2-100/50/1 XPSTM Comp.	1						x						
803848	MM 1/2-110/60/1 Comp.	1									x			
803849	MM 1/2-220/60/1 Comp.	1									x			
803850	MM 1/2-208/60/3 Comp.	1									x			
803851	MM 1/2-230/60/3 Comp.	1									x			
803852	MM 1/2-110/60/1 STM Comp.	1									x			
803853	MM 1/2-220/60/1 STM Comp.	1									x			
803854	MM 1/2-208/60/3 STM Comp.	1									x			
803855	MM 1/2-220/60/3 STM Comp.	1									x			
803856	MM 1/2-220/50/1 EXP Comp.	1									x			
803857	MM 1/2-440/50/3 EXP Comp.	1									x			
803858	MM 1/2-100/50/1 EXP Comp.	1									x			
803859	MM 1/2-220/50/1 XPSTM Comp.	1									x			
803860	MM 1/2-440/50/3 XPSTM Comp.	1									x			
803861	MM 1/2-100/50/1 XPSTM Comp.	1									x			
803872	MM 1/2-110/60/1 Comp.	1										x	x	
803873	MM 1/2-220/60/1 Comp.	1										x	x	
803874	MM 1/2-208/60/3 Comp.	1										x	x	
803875	MM 1/2-230/60/3 Comp.	1										x	x	
803876	MM 1/2-110/60/1 STM Comp.	1										x	x	
803877	MM 1/2-220/60/1 STM Comp.	1										x	x	
803878	MM 1/2-208/60/3 STM Comp.	1										x	x	
803879	MM 1/2-220/60/3 STM Comp.	1										x	x	
803880	MM 1/2-220/50/1 EXP Comp.	1										x	x	
803881	MM 1/2-440/50/3 EXP Comp.	1										x	x	
803882	MM 1/2-100/50/1 EXP Comp.	1										x	x	
803883	MM 1/2-220/50/1 XPSTM Comp.	1										x	x	
803884	MM 1/2-440/50/3 XPSTM Comp.	1										x	x	
803885	MM 1/2-100/50/1 XPSTM Comp.	1										x	x	

STM indicates steam. EXP indicates export. XPSTM indicates export steam.

MISC. HARNESSSES

PART NO.	DESCRIPTION	QTY.	DRYER MODELS UTILIZING PART											
			15#	20#	25#	30#	35#	50#	60#	65#				
834800	15# Steam Solenoid	1	x											
834801	20# Steam Solenoid	1		x										
834802	25# Steam Solenoid	1			x									
834803	30# Steam Solenoid	1				x								
834804	35# Steam Solenoid	1					x							
834805	50# Steam Solenoid	1						x						
834806	60# and 65# Steam Solenoid	1										x	x	
831700	Sensor Jumper	1	x	x	x	x	x	x	x	x	x	x	x	

MISC. HARNESES

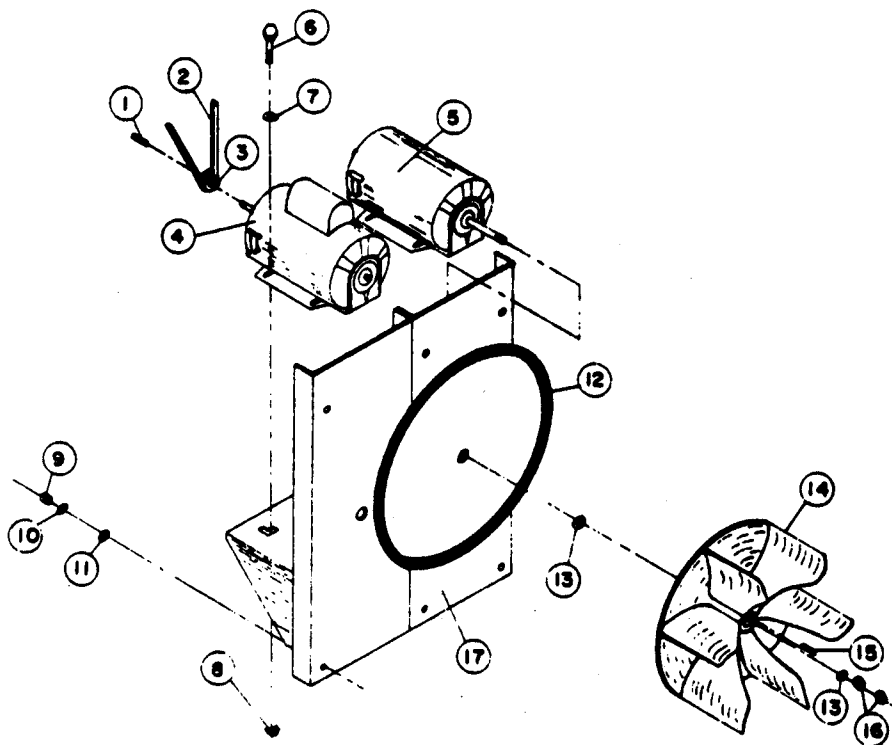
PART NO.	DESCRIPTION	QTY.	DRYER MODELS UTILIZING PART							
			15#	20#	25#	30#	35#	50#	60#	65#
830400	WR - Solenoid Harness	1	x	x	x	x				
830500	Timer - AD R. Sw. Harness	1		x	x		x	x	x	x
830501	Meter - AD R. Sw. Harness	1		x	x		x	x	x	x
830502	Timer - P.P. R. Sw. Harness			x	x		x	x	x	x
830503	Meter - P.P. R. Sw. Harness	1		x	x		x	x	x	x
830504	15-30 AD R. Sw. Harness	1	x				x			
830505	15-30 P.P. R. Sw. Harness	1	x				x			
830600	Reg. Timer on Ctrl. Dr. Harness	1	x				x			
830601	C.D. Timer on Ctrl. Dr. Harness	1	x				x			
830602	P.P. Timer on Ctrl. Dr. Harness	1	x				x			
830700	Reg. Timer Leads	1		x	x		x	x	x	x
830701	C.D. Timer Leads	1		x	x		x	x	x	x
830702	P.P. Timer Leads	1		x	x		x	x	x	x
830750	P.P. Dual Timer	1		x	x		x	x	x	x
830751	P.P. Dual Timer on Ctrl. Dr.	1	x				x			
830800	P.P. Meter Leads	1	x	x	x		x	x	x	x
831500	15# Sensor & Drive Harness - GS	1	x							
831501	20# Sensor & Drive Harness - GS	1		x						
831502	25# Sensor & Drive Harness - GS	1			x					
831503	30# Sensor & Drive Harness - GS	1				x				
831504	35# Sensor & Drive Harness - GS	1					x			
831505	50# Sensor & Drive Harness - GS	1						x		
831506	60# Sensor & Drive Harness - GS	1							x	x
831507	15# Sensor & Drive Harness - GS - New	1	x							
831508	20# Sensor & Drive Harness - GS - New	1		x						
831509	25# Sensor & Drive Harness - GS - New	1			x					
831510	30# Sensor & Drive Harness - GS - New	1				x				
831511	35# Sensor & Drive Harness - GS - New	1					x			
831512	50# Sensor & Drive Harness - GS - New	1						x		
831513	60# Sensor & Drive Harness - GS - New	1							x	x
831600	15# Sensor & Drive Harness - E	1	x							
831601	20# Sensor & Drive Harness - E	1		x						
831602	25# Sensor & Drive Harness - E	1			x					
831603	30# Sensor & Drive Harness - E	1				x				
831604	35# Sensor & Drive Harness - E	1					x			
831605	50# Sensor & Drive Harness - E	1						x		
831606	60# Sensor & Drive Harness - E	1							x	x
832000	15# SLM Control Harness	1	x							
832001	20# SLM Control Harness	1		x						
832002	25# SLM Control Harness	1			x					
832003	30# SLM Control Harness	1				x				
832100	15# SLM Harness	1	x							
832101	20# SLM Harness	1		x						
832102	25# SLM Harness	1			x					
832103	30# SLM Harness	1				x				
832200	15# SLM Sensor Harness	1	x							
832201	20# SLM Sensor Harness	1		x						
832202	25# SLM Sensor Harness	1			x					
832203	30# SLM Sensor Harness	1				x				

PART NO.	DESCRIPTION	QTY.	DRYER MODELS UTILIZING PART							
			15#	20#	25#	30#	35#	50#	60#	65#
833500	15# SM Harness	1	x							
833501	20# SM Harness	1		x						
833502	25# SM Harness	1			x					
834500	Transformer Harness	1	x	x	x	x	x	x	x	x
831802	Sensor Harness	1	x	x	x	x	x	x	x	x
831900	Main Door Switch Harness	1	x	x	x	x	x	x	x	x
831901	Main Door Switch Jumper	1	x	x	x	x	x	x	x	x
832300	SLM Power Harness	1	x	x	x					

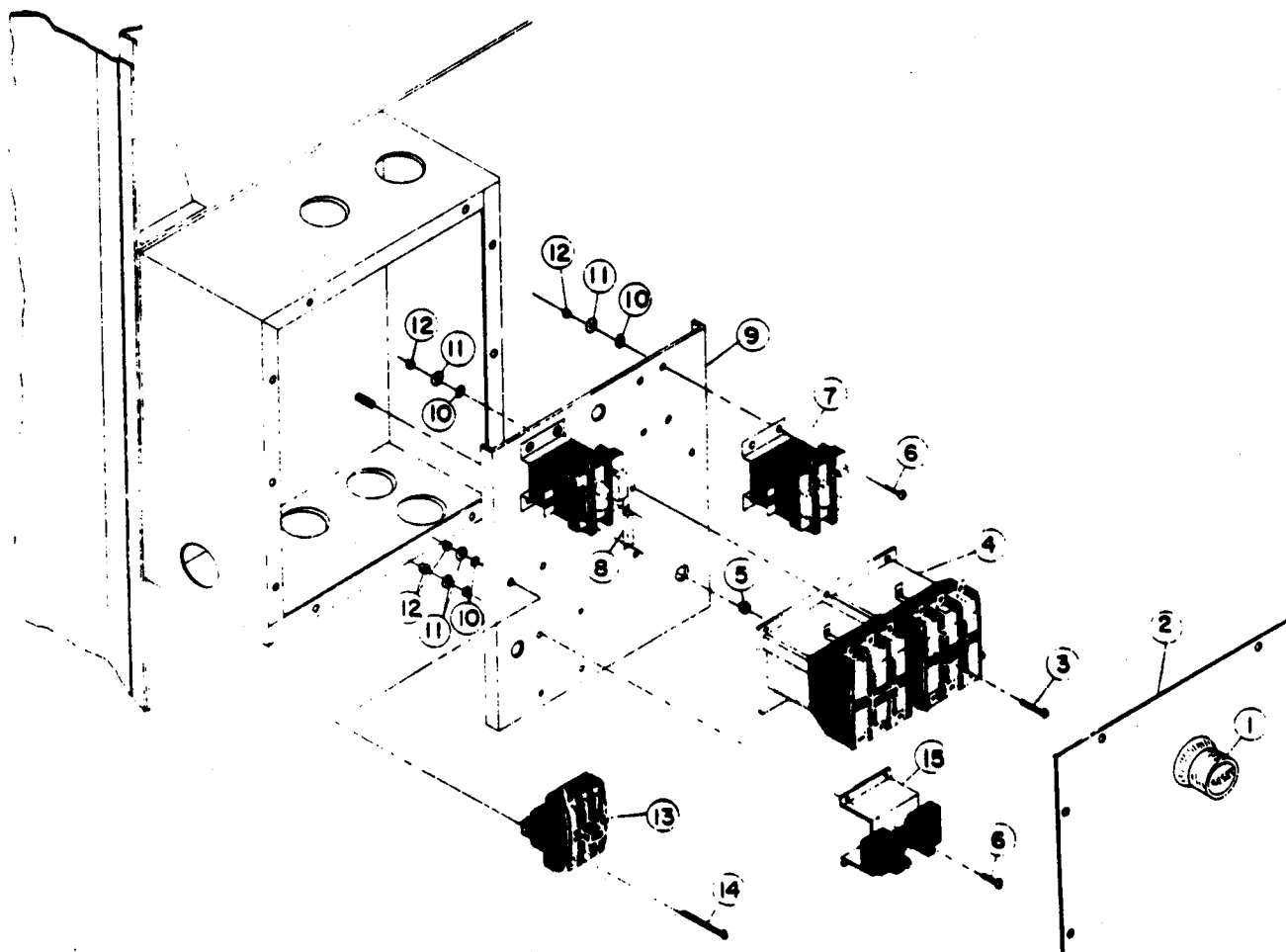
PART NO.	DESCRIPTION	QTY.	DRYER MODELS UTILIZING PART																
			15#	20#	25#	30#	35#	50#	60#	65#									
803705	MM 1/2 - 220/60/1 STM Comp.	1		x															
803706	MM 1/2 - 208/60/3 STM Comp.	1		x															
803714	MM 1/3 - 100/60/1 EXP Comp.	1		x															
803715	MM 1/3 - 100/60/1 XPSTM Comp.	1		x															
803716	MM 1/2 - 200/50/1 XPSTM Comp.	1		x															
803717	MM 1/2 - 200/60/1 XPSTM Comp.	1		x															
803718	MM 1/2 - 200/50/1 EXP Comp.	1		x															
803719	MM 1/2 - 200/60/1 EXP Comp.	1		x															
803738	MM 1/3 - 100/60/1 EXP Comp.	1						x											
803739	MM 1/3 - 100/60/1 XPSTM Comp.	1						x											
803740	MM 1/2 - 200/50/1 XPSTM Comp.	1						x											
303741	MM 1/2 - 200/60/1 XPSTM Comp.	1						x											
803742	MM 1/2 - 200/50/1 EXP Comp.	1						x											
803743	MM 1/2 - 200/60/1 EXP Comp.	1						x											
803757	MM 1/2 - 440/50/3 EXP Comp.	1								x									
803762	MM 1/3 - 100/60/1 EXP Comp.	1								x									
803763	MM 1/3 - 100/60/1 XPSTM Comp.	1								x									
803764	MM 1/2 - 200/50/1 XPSTM Comp.	1								x									
803765	MM 1/2 - 200/60/1 XPSTM Comp.	1								x									
803766	MM 1/2 - 200/50/1 EXP Comp.	1								x									
803767	MM 1/2 - 200/60/1 EXP Comp.	1								x									
803814	MM 1/2 - 100/60/1 EXP Comp.	1																x	
803815	MM 1/2 - 100/60/1 XPSTM Comp.	1																x	
803816	MM 1/2 - 200/50/1 XPSTM Comp.	1																x	
803817	MM 1/2 - 200/60/1 XPSTM Comp.	1																x	
803818	MM 1/2 - 200/50/1 EXP Comp.	1																x	
803819	MM 1/2 - 200/60/1 EXP Comp.	1																x	
803838	MM 1/2 - 100/60/1 EXP Comp.	1																	x
803839	MM 1/2 - 100/60/1 XPSTM Comp.	1																	x
803840	MM 1/2 - 200/50/1 XPSTM Comp.	1																	x
803841	MM 1/2 - 200/60/1 XPSTM Comp.	1																	x
803842	MM 1/2 - 200/50/1 EXP Comp.	1																	x
803843	MM 1/2 - 200/60/1 EXP Comp.	1																	x
803862	MM 1/2 - 100/60/1 EXP Comp.	1																	x
803863	MM 1/2 - 100/60/1 XPSTM Comp.	1																	x
803864	MM 1/2 - 200/50/1 XPSTM Comp.	1																	x
803865	MM 1/2 - 200/60/1 XPSTM Comp.	1																	x
803866	MM 1/2 - 200/50/1 EXP Comp.	1																	x
803867	MM 1/2 - 200/60/1 EXP Comp.	1																	x
803886	MM 1/2 - 100/60/1 EXP Comp.	1																	x
803887	MM 1/2 - 100/60/1 XPSTM Comp.	1																	x
803888	MM 1/2 - 200/50/1 XPSTM Comp.	1																	x
803889	MM 1/2 - 200/60/1 XPSTM Comp.	1																	x
803890	MM 1/2 - 200/50/1 EXP Comp.	1																	x
803891	MM 1/2 - 200/60/1 EXP Comp.	1																	x

STM - Indicates Steam
EXP - Indicates Export
XPSTM - Indicates Export Steam

ILLUS. NO.	PART NO.	DESCRIPTION	QTY.	DRYER MODELS UTILIZING PART						
				15#	20#	25#	30#	35#	50#	60#
1	100701	3/16" x 3/16" x 1" Key	2					x	x	x
2	100101	48" V Belt	1					x		
	100105	52" V Belt	1						x	x
3	101103	5/8" x 1 3/4" Sheave	1					x	x	x
4	100019	1/2 HP 230V/60/1Ø Tumbler Motor	1					x	x	x
	100020	1/2 HP 208V/230V/60/3Ø Tumbler Motor	1					x	x	x
5	100018	1/3 HP 230V/60/1Ø Blower Motor	1					x	x	x
	100021	1/2 HP 208V/230V/60/3Ø Blower Motor	1					x	x	x
6	150501	5/16"-18 x 3/4" M.B.	8					x	x	x
7	153002	5/16" Lock Washer	8					x	x	x
8	154000	5/16" Tinnerman Nut	8					x	x	x
9	152004	5/16"-18 Hex Nut	6					x	x	x
10	153002	5/16" Lock Washer	6					x	x	x
11	153001	5/16" Flat Washer	6					x	x	x
12	800911	1Ø Rev. Motor Mount Only	1					x	x	x
	800912	3Ø Rev. Motor Mount Only	1					x	x	x
13	153006	1/2" Spec Motor Washer	2					x	x	x
14	100601	12" Impeller (Yellow) Gas or Electric	1					x	x	x
	100602	13" Impeller (Orange) Steam	1					x	x	x
15	100702	1/8" x 1/8" x 1 1/2" Key	1					x	x	x
16	152006	1/2"-20 L.H. Nut	2					x	x	x
17	803895	230V 1Ø Motor Mount Assy. Comp.	1					x	x	x
	803896	208V/230V 3Ø Motor Mount Assy. Comp.	1					x	x	x
	803897	230V 1Ø Motor Mount Assy. Comp. (Steam)	1					x	x	x
	803898	208V/230V 3Ø Motor Mount Assy. Comp. (Steam)	1					x	x	x



ILLUS. NO.	PART NO.	DESCRIPTION	QTY.	DRYER MODELS UTILIZING PART							
				15#	20#	25#	30#	35#	50#	60#	65#
1	132100	Overload Reset Kit	1						x	x	x
2	803611	Reversing Control Box Cover	1						x	x	x
3	150100	8-32 x 1/2 Rd. Hd. M.S.	4						x	x	x
4	132401	Dual Contactor (230V)	1						x	x	x
5	152004	5/16-18 Hex Nut	3						x	x	x
6	150102	8-32 x 3/8 P.H. M.S.	12						x	x	x
7	132300	Overload Relay (3Ø Only)	2						x	x	x
8	132307	Heater Overload (3Ø Only)	6						x	x	x
9	803604	Relay Mounting Panel (Only)	1						x	x	x
	803605	Relay Mounting Panel Comp. (230V/3Ø)	1						x	x	x
	803607	Relay Mounting Panel Comp. (208V/3Ø)	1						x	x	x
	803609	Relay Mounting Panel Comp. (230V/1Ø)	1						x	x	x
10	153012	#8 Star Washer	18						x	x	x
11	153000	#8 Washer	18						x	x	x
12	152001	8-32 Hex Nut	18						x	x	x
13	132400	Impeller Contactor	1						x	x	x
14	150103	8-32 x 3/4 Rd. Hd. M.S.	2						x	x	x
15	132200	Reversing Timer	1						x	x	x



SECTION V
TECHNICAL DATA

- a.) Exhaust System 5-2
- b.) Installation Connection Data 5-4
- c.) Orifice & Water Column Tables 5-6
- d.) Electric Ovens Selection Table 5-7
- e.) Electric Relay Replacement Table 5-8

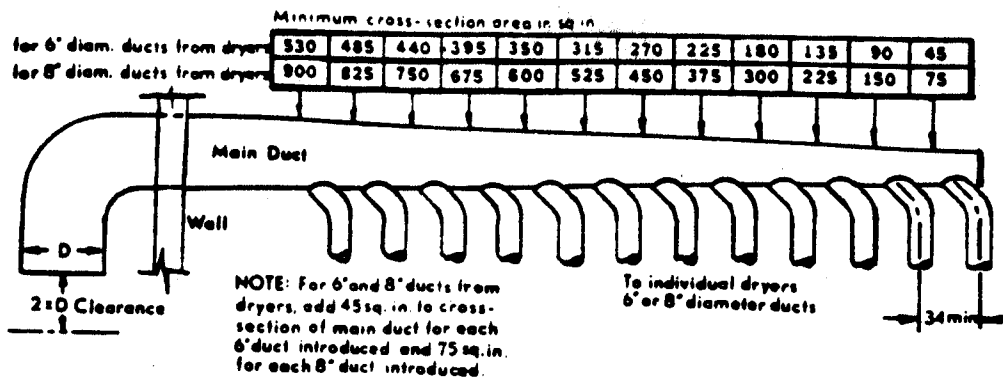


Figure 1

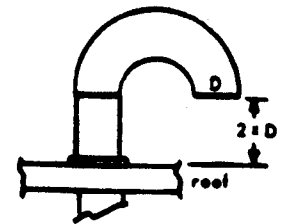


Fig. 2

EXHAUST DUCT AND AIR INTAKE. Where possible, it is desirable to provide a separate exhaust air duct for each dryer. The duct should be 6" to 8" in diameter, depending upon the air outlet diameter of the dryer. The duct should go as directly as possible to the outside air. Avoid right angle turns in the ducting; use 30 degree or 45 degree angles instead. The radius of the elbows should preferably be 1 1/2 times the diameter of the duct.

To protect the outside end of the duct from the weather, it may be bent downward as indicated in Figure 1. Leave at least twice the diameter of the duct clear between the duct opening and the nearest obstruction. If the exhaust duct goes through the roof, it may be protected from the weather by a hood, or by using a 180 degree turn to point the opening down. In either case, allow at least twice the diameter of the duct as clearance from the nearest obstruction as indicated above.

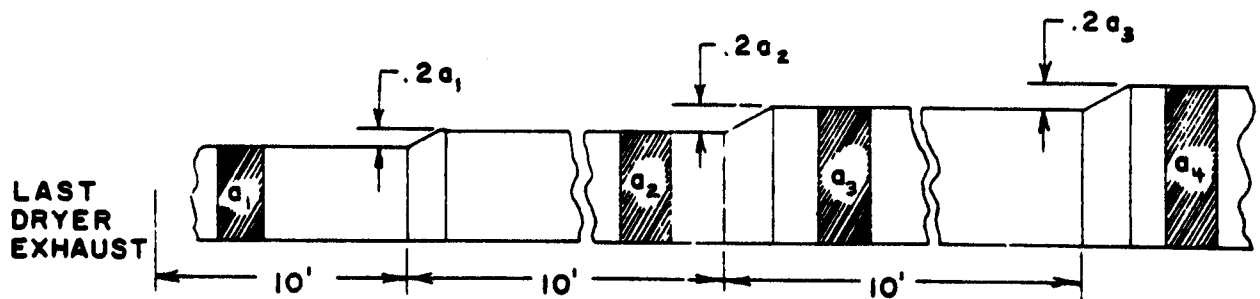
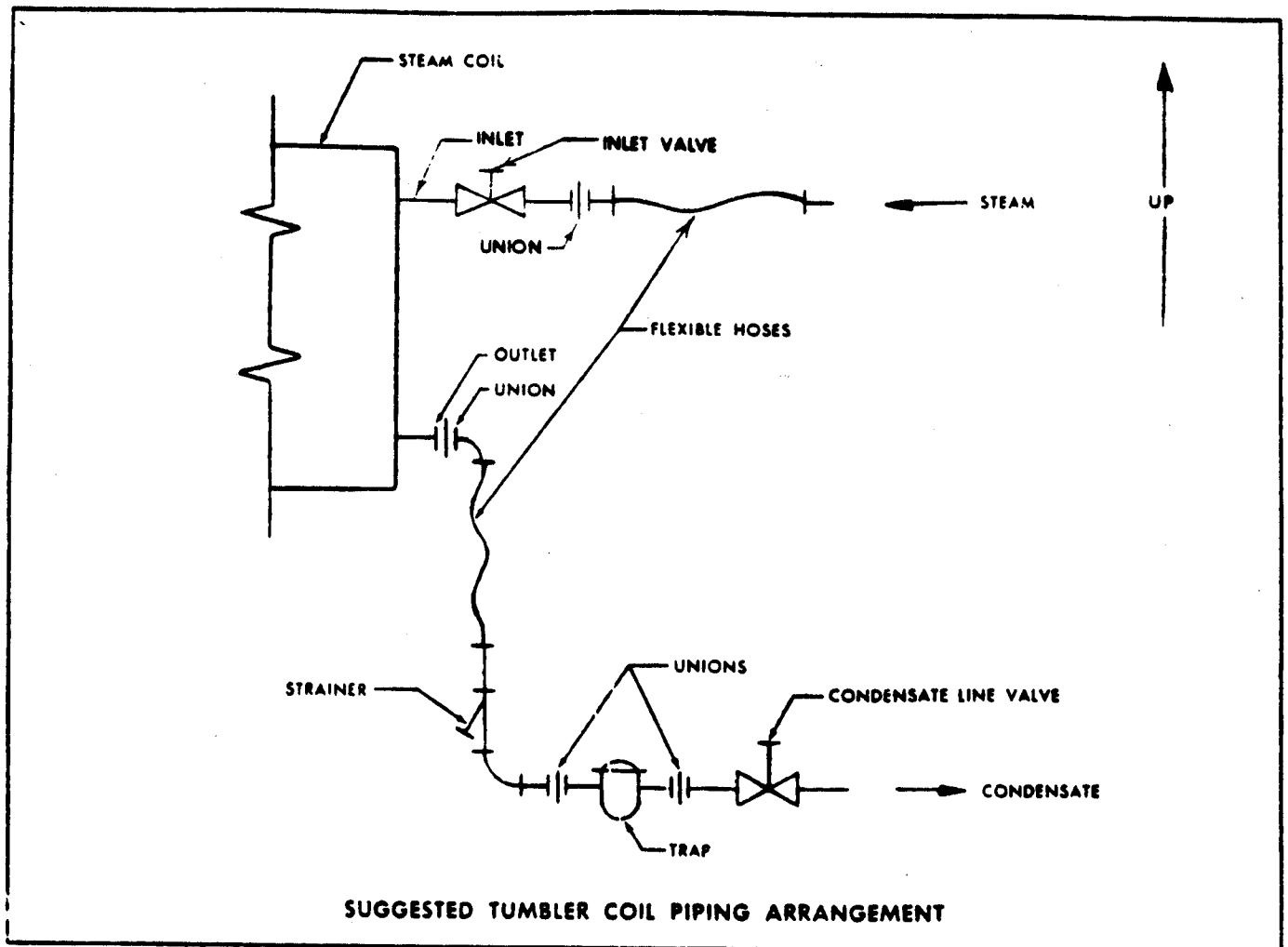
Do not use screens or caps on the outside opening of the exhaust duct. The ducting should be smooth inside, with no projections from sheet metal screws or other obstructions which will collect lint. When adding ducts, the duct to be added should overlap the duct that it is to be connected to. Provide inspection doors for periodic clean-out of lint from the main duct.

If it is not feasible to provide separate exhaust ducts for each dryer, ducts from the individual dryers may be channeled into a common main duct. The individual ducts should enter the bottom or side of the main duct at an angle not more than 45 degrees and should be spaced at least 34" apart. The main duct should be tapered, with the diameter increasing before each individual duct is added. The minimum increase in cross-section area should be 45 square inches for each 6" duct added, and 75 square inches for each 8" duct added. The main duct may be any shape of cross section so long as the minimum cross section area is provided. Figure 1 shows the minimum cross section areas of the main duct for either 6" or 8" dryer ducts. These figures should be increased if the main duct is unusually long (20' or over) or has numerous elbows in it.

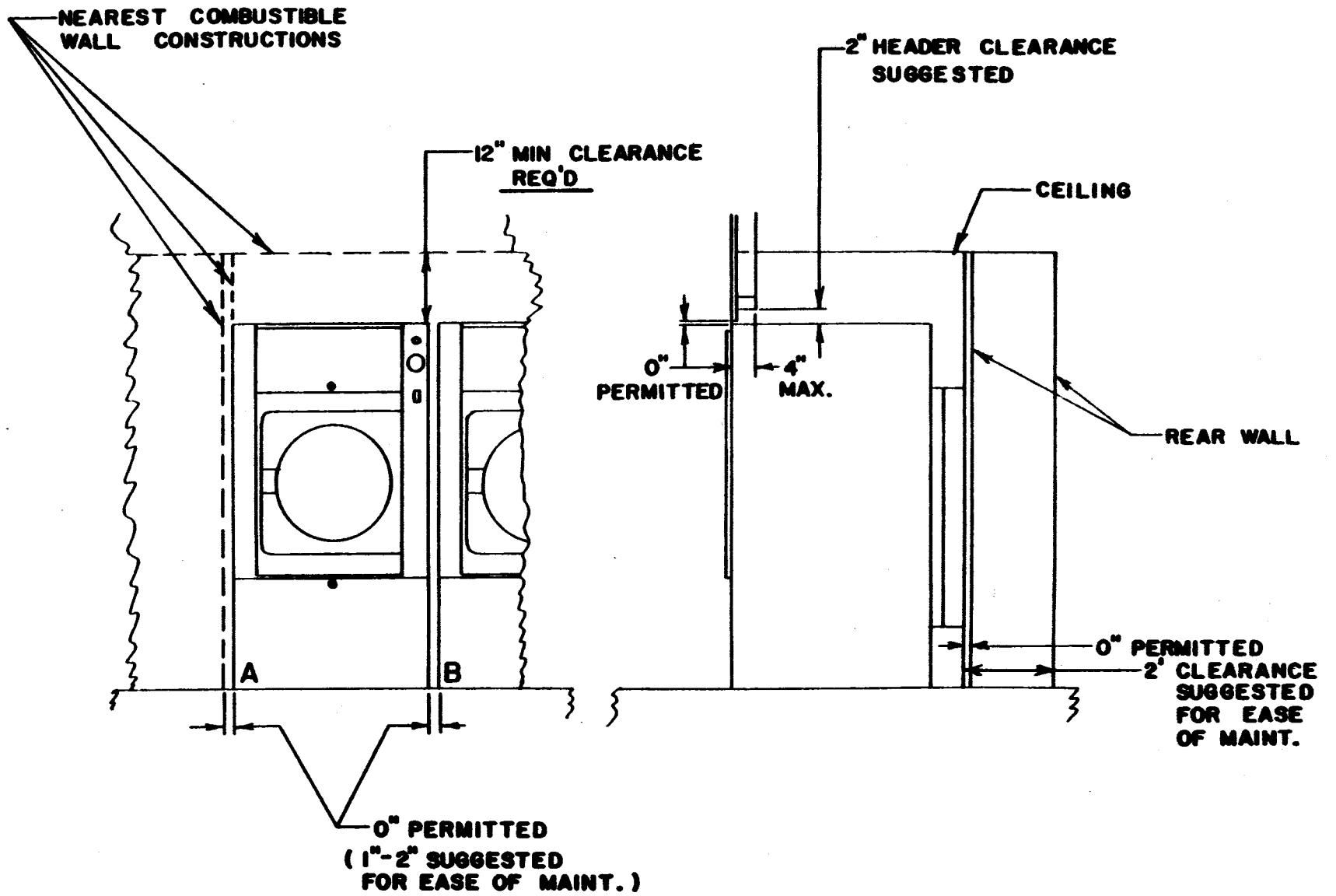
An opening from the outside air, to the room in which the dryers are operating, should be provided for make-up air. This should be approximately two to three times the cross-section area of the total of the exhaust ducts.*

Inadequate exhaust facilities may cause high temperature limit switches or air flow switches to shut off the dryers. Do not disable the switches, which are provided for your safety. Instead, investigate the exhaust ducting. Any obstruction, or air friction due to bends in the ducting, will cause back-pressure and slow the passage of air through the system with resulting inefficiency and fire hazard.

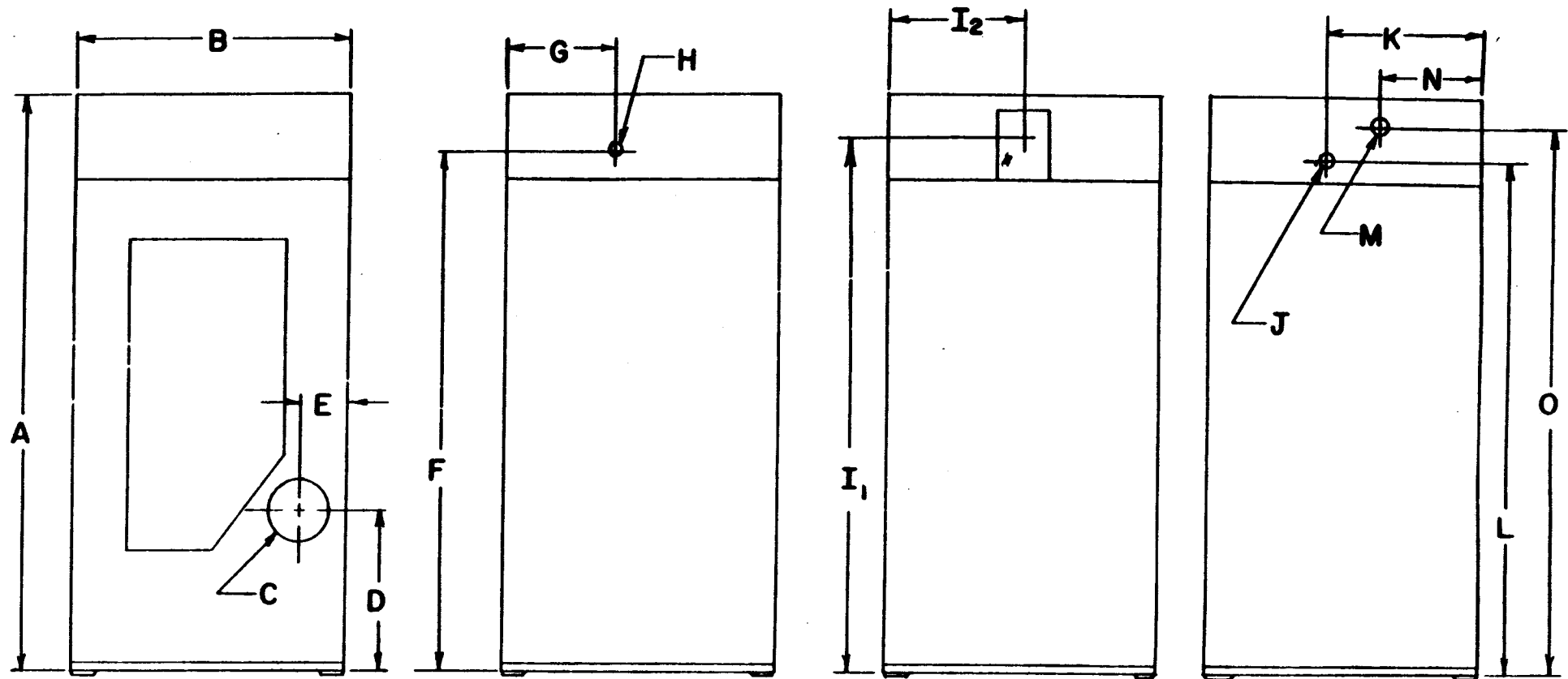
*For steam dryers, the area should be from four to five times the total area of the exhaust duct.



INCREASE OF DUCT AREA FOR LONG EXHAUST DUCT INSTALLATIONS.



INSTALLATION DRYER CLEARANCE TO ADJACENT WALL STRUCTURES



MODEL	HEIGHT A	WIDTH B	DIA C	GAS INLET					ELECTRIC		STEAM RETURN			STEAM SUPPLY				
				D	E	F	G	H	POWER IN I ₁	I ₂	J	K	K	L	M	M	N	O
15"	68	31 3/8	6	16 1/4	6	59 1/2	11 1/2	1/2	59 3/4	17 1/4	1/2	20 1/4	20 1/4	61	1	1	12 1/4	65
20"	68	34 1/4	6	16 1/4	6	59 1/2	13	1/2	59 3/4	18 3/4	1/2	21 3/4	21 3/4	61	1	1	13 3/4	65
25"	72	34 1/4	8	20 1/4	6	63 1/2	13	1/2	63 3/4	18 3/4	1/2	21 3/4	21 3/4	65	1	1	13 3/4	69
30"	72	31 3/8	8	20 1/4	6	63 1/2	11 1/2	1/2	63 3/4	17 1/4	1/2	19	18 1/4	65 1/4	1 1/4	1	11 1/2	69 1/8
35"	72	34 1/4	8	20 1/4	6	63 1/2	13	1/2	63 3/4	18 3/4	1/2	20 1/2	19 3/4	65 1/4	1 1/4	1	13	69 1/8
50"	72	34 1/4	8	20 1/4	6	63 1/2	13	1/2	63 3/4	18 3/4	1/2	20 1/2	19 3/4	65 1/4	1 1/4	1	13	69 1/8
65"	76	38 1/4	8	20 1/4	8	67 1/2	15	1/2	67 3/4	20 3/4	1/2	22 1/2	21 3/4	69 1/4	1 1/4	1	15	73 1/8

*All Heat Reclaimer Models With 6" Diameter Exhaust Duct Except 65# (8" Diameter).

TABLE 1	MAIN BURNER ORIFICE SIZE							
STANDARD	NATURAL		MANUFACTURED		PROPANE		BUTANE	
MODEL (BTUH)	PART NO.	DMS	PART NO.	DMS	PART NO.	DMS	PART NO.	DMS
ADG-15 (50,000)	140810	42	140819	30	140848	54	140848	54
ADG-20 (67,000)	140816	36	140852	25	140800	52	140841	1/16
ADG-25 (78,000)	140851	32	140828	20	140802	50	140801	51
ADG-30 (90,000)	140843	1/8	140830	17	140803	49	140802	50
ADG-35 (105,000)	140820	29	140853	12	140806	46	140804	48
ADG-50 (120,000)	140822	27	140837	8	140808	44	140807	45
ADG-65 (140,000)	140819	30	140831	16	140804	48	140803	49
ADGB-15 (52,000)	140811	41	140820	29	140845	53	140848	54
ADGB-20 (69,000)	140849	35	140824	24	140801	51	140841	1/16
ADGB-25 (80,000)	140818	31	140846	19	140802	50	140801	51
ADGB-30 (92,000)	140819	30	140833	14	140804	48	140803	49

TABLE 2	MAIN BURNER ORIFICE SIZE							
HEAT RECLAIMER	NATURAL		MANUFACTURED		PROPANE		BUTANE	
MODEL (BTUH)	PART NO.	DMS	PART NO.	DMS	PART NO.	DMS	PART NO.	DMS
ADG-15 (47,000)	140809	43	140843	1/8	140848	54	140847	55
ADG-20 (60,000)	140814	38	140822	27	140845	53	140845	53
ADG-25 (70,000)	140849	35	140824	24	140800	52	140841	1/16
ADG-30 (80,000)	140851	32	140846	19	140802	50	140801	51
ADG-35 (90,000)	140843	1/8	140830	17	140804	48	140802	50
ADG-50 (95,000)	140819	30	140832	15	140804	48	140803	49
ADG-65 (105,000)	140820	29	140853	12	140806	46	140804	48

TABLE 3	PILOT BURNER ORIFICE SIZE							
	NATURAL		MANUFACTURED		PROPANE		BUTANE	
MODEL	PART NO.	SIZE	PART NO.	SIZE	PART NO.	SIZE	PART NO.	SIZE
ADG-(ALL)	140703	.025	140704	.025	140701	.012	140701	.012

TABLE 4	MANIFOLD PRESSURE (INCHES OF WATER)							
MODEL	NATURAL		MANUFACTURED		PROPANE		BUTANE	
ALL	3-4		3-4		9-11		9-11	

ELECTRIC OVEN SELECTION TABLE

AVAILABLE ELECTRIC OVEN SIZES					DRYER MODELS UTILIZING PART							
KW	BTU	VOLTAGE & PHASE	AMPS PER PHASE	MINIMUM SIZE SUPPLY WIRE	15#	20#	25#	30#	35#	50#	60#	65#
12	40,980	208V 1Ø	57.5	#6	x	x						
12	40,980	230V 1Ø	50	#6	x	x						
12	40,980	208V 3Ø	33	#8	x	x						
12	40,980	230V 3Ø	30	#10	x	x						
15	51,225	208V 1Ø	72	#3	x	x						
15	51,225	230V 1Ø	66	#4	x	x						
15	51,225	208V 3Ø	42	#6				x				
15	51,225	230V 3Ø	38	#8				x				
15	51,225	380V 3Ø	22.5	#10	x	x	x					
18	61,470	208V 1Ø	86.5	#2		x	x					
18	61,470	230V 1Ø	78.5	#3		x	x					
18	61,470	208V 3Ø	50	#6		x	x					
18	61,470	230V 3Ø	45	#6		x	x					
18	61,470	416V 3Ø	25	#10		x	x					
18	61,470	480V 3Ø	22.5	#10		x	x					
20	68,300	208V 1Ø	96	#2				x	x	x	x	x
20	68,300	230V 1Ø	87	#2				x	x	x	x	x
20	68,300	380V 3Ø	30	#10			x	x	x	x	x	x
24	81,960	208V 3Ø	67	#4			x	x	x	x	x	x
24	81,960	230V 3Ø	60	#4			x	x	x	x	x	x
24	81,960	416V 3Ø	33.5	#8			x		x	x	x	x
24	81,960	480V 3Ø	30	#10			x		x	x	x	x
25	85,375	380V 3Ø	37	#8					x	x	x	x
30	102,450	208V 3Ø	83.5	#2					x	x	x	x
30	102,450	230V 3Ø	75	#3					x	x	x	x
30	102,450	416V 3Ø	41.5	#6					x	x	x	x
30	102,450	480V 3Ø	38	#8					x	x	x	x

ELECTRIC OVEN RELAY REPLACEMENT TABLE

KW	BTU	VOLTAGE & PHASE	RELAY PART NO.	DRYER MODELS UTILIZING PART									
				15#	20#	25#	30#	35#	50#	60#	65#		
12	40,980	208V 1Ø	131304	x	x								
12	40,980	230V 1Ø	131303	x	x								
12	40,980	208V 3Ø	131302	x	x								
12	40,980	230V 3Ø	131303	x	x								
15	51,225	208V 1Ø	131306	x	x								
15	51,225	230V 1Ø	131307	x	x								
15	51,225	208V 3Ø	131302				x						
15	51,225	230V 3Ø	131303				x						
15	51,225	380V 3Ø	131303	x	x	x							
18	61,470	208V 1Ø	131308		x	x							
18	61,470	230V 1Ø	131307		x	x							
18	61,470	208V 3Ø	131302		x	x							
18	61,470	230V 3Ø	131303		x	x							
18	61,470	416V 3Ø	131303		x	x							
18	61,470	480V 3Ø	131303		x	x							
20	68,300	208V 1Ø	131308				x	x	x	x	x	x	x
20	68,300	230V 1Ø	131309				x	x	x	x	x	x	x
20	68,300	380V 3Ø	131303			x	x	x	x	x	x	x	x
24	81,960	208V 3Ø	131306			x	x	x	x	x	x	x	x
24	81,960	230V 3Ø	131305			x	x	x	x	x	x	x	x
24	81,960	416V 3Ø	131303			x		x	x	x	x	x	x
24	81,960	480V 3Ø	131303			x		x	x	x	x	x	x
25	85,375	380V 3Ø	131303					x	x	x	x	x	x
30	102,450	208V 3Ø	131308					x	x	x	x	x	x
30	102,450	230V 3Ø	131307					x	x	x	x	x	x
30	102,450	416V 3Ø	131303					x	x	x	x	x	x
30	102,450	480V 3Ø	131303					x	x	x	x	x	x

ADC 450078 1 - 12/88-----50 2 - 04/90-----100 3 - 08/93-----100
4 - 10/30/96-100 5 * 11/11/96-100

