

AD-24 Parts Manual 1988 thru 1991

American Dryer Corporation
88 Currant Road
Fall River, MA 02720-4781
Telephone: (508) 678-9010 / Cable: AMDRY / Fax: (508) 678-9447

032392

ADC Part No. 450086

Retain This Manual In A Safe Place For Future Reference

American Dryer Corporation products embody advanced concepts in engineering, design, and safety. If this product is properly maintained, it will provide many years of safe, efficient, and trouble-free operation.

ONLY properly licensed technicians should service this equipment.

Observe all safety precautions displayed on the equipment or specified in the installation/operator's manual included with the dryer.

Under **NO circumstances should the dryer door switch or the heat circuit devices ever be disabled.**

We have tried to make this manual as complete as possible and hope you will find it useful. ADC reserves the right to make changes from time to time, without notice or obligation, in prices, specifications, colors, and materials and to change or discontinue models.

Important

For your convenience, log the following information:

DATE OF PURCHASE _____ MODEL NO. AD-24
DISTRIBUTOR'S NAME _____
Serial No.(s) _____

Replacement parts can be ordered from your distributor or the ADC factory. When ordering replacement parts from the factory, you can fax your order to ADC at (508) 678-9447 or telephone your orders directly to the ADC Parts Department at (508) 678-9010. Please specify the dryer **model number** and **serial number** in addition to the description and part number, so that your order is processed accurately and promptly.

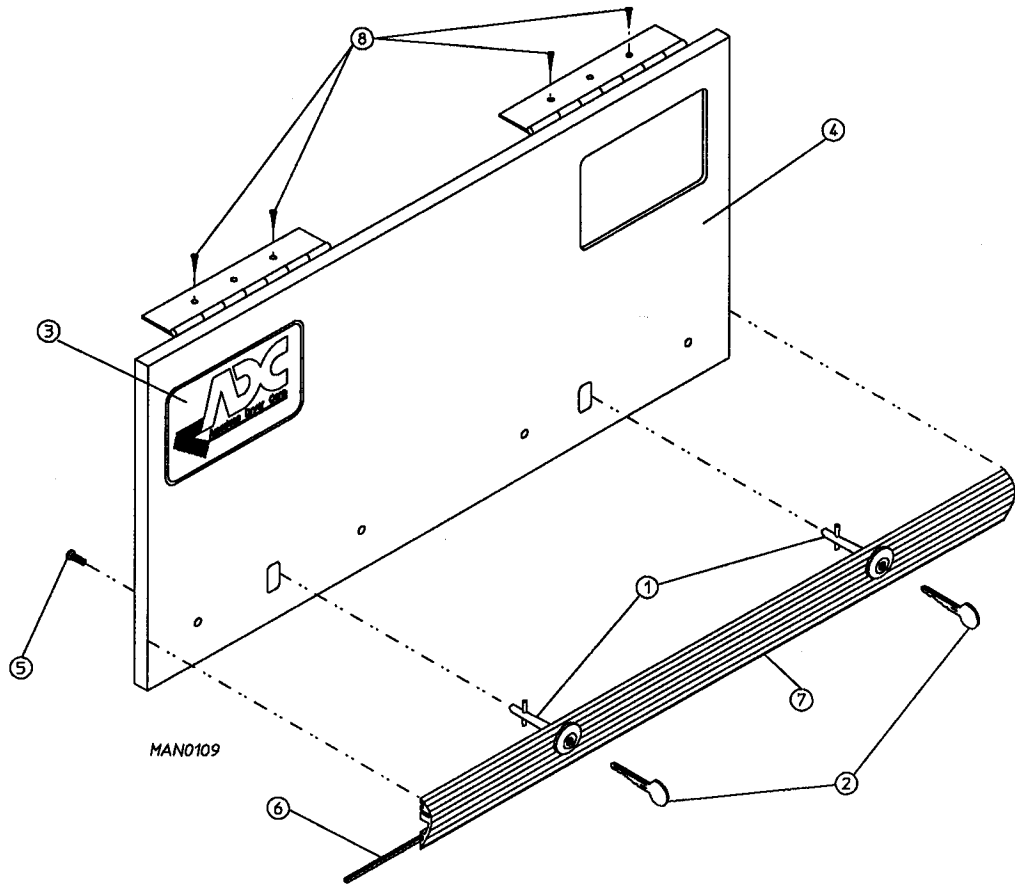
The illustrations on the following pages may not depict your particular dryer exactly. The illustrations are a composite of the various dryer models. Be sure to check the descriptions of the parts thoroughly before ordering.

INSTRUCTIONS TO BE FOLLOWED IN THE EVENT THE USER
SMELLS GAS MUST BE POSTED IN A PROMINENT LOCATION. THE
INSTRUCTIONS TO BE POSTED SHALL BE OBTAINED FROM THE
LOCAL GAS SUPPLIER.

Table Of Contents

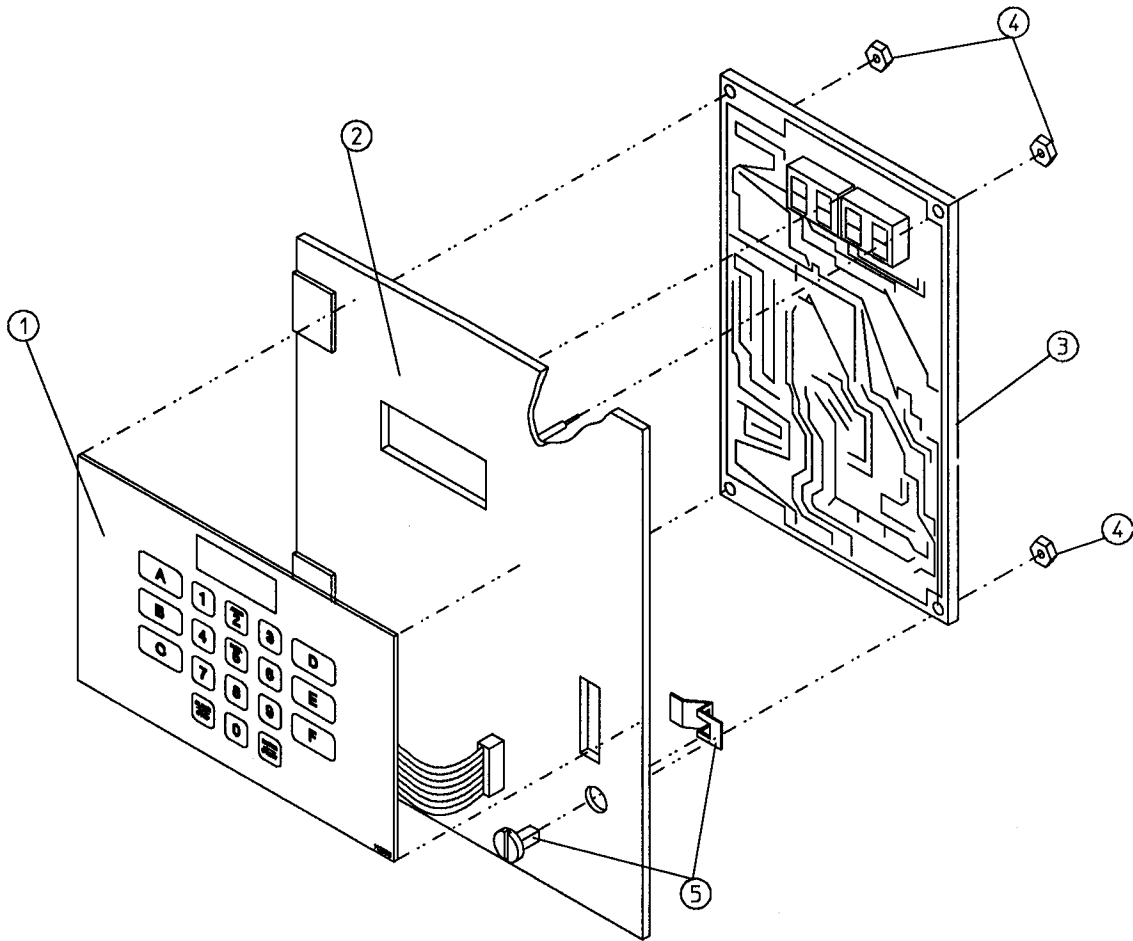
AD-24 High Security Control Door Assembly	1
Phase 3 O.P.L. Microprocessor Control Panel Assembly	2
Phase 3 O.P.L. Microprocessor Control Box Assembly	3
Phase 4 O.P.L. Microprocessor Control Panel Assembly	4
Phase 4 O.P.L. Microprocessor Control Box Assembly	5
Phase 4 Single Coin Computer Control Panel / Box Assembly	6, 7
Phase 4 Dual Coin Computer Control Panel / Box Assembly	8, 9
Phase 4.1 Single Coin Microprocessor Control Panel Assembly	10
Phase 4.1 Single Coin Microprocessor Control Box Assembly	11
Phase 4.1 Dual Coin Microprocessor Control Panel Assembly	12
Phase 4.1 Dual Coin Microprocessor Control Box Assembly	13
AD-24 Slide Meter Case Assembly	14
AD-24 High Security Coin Vault Assembly	15
AD-24 Front Panel Assembly (Latch-type)	16
AD-24 Front Panel Assembly (Magnet-Type)	17
Main Door Assembly (Latch-Type)	18
Main Door Assembly (Magnet-Type)	19
Main Door Switch Assembly (N.S. Series)	20
Main Door Switch Assembly (Plunger-Type)	21
Lint Door Assembly	22
Lint Trap Assembly	23

AD-24 Tumbler / Support Assembly (Non-Tapered Ribs)	24
AD-24 Tumbler / Support Assembly (Tapered Ribs)	25
Tumbler Bearing Assembly	26, 27
Idler Bearing Assembly	28, 29
AD-24 Totally Enclosed Fan-cooled Motor Mount Assembly (60Hz Models Only)	30, 31
Sensor Bracket Assembly	32
Control / Heat Step-down Transformer (Glo-Bar Models Only)	33
Direct Spark Ignition (DSI) Burner Assembly	34, 35
AD-24 Hi/Lo Burner Assembly	36, 37
AD-24 Sail Switch / Hi-Limit Assembly	38
Replacement Coils For 3/8" Hi/Lo Gas Valve	39
3 - Phase Motor, Electric Relay Panel Assembly	40
AD-24 Outer Top / Back Guard Assembly	41
Parts Available But Not Listed	42
Microprocessor Coin Acceptor Listing	43
Wiring Diagrams	44



Illus. No.	Part No.	Qty.	Description
1	160040	2	High Security Control Door Lock Only (XX4451)
	160026	2	Coinmach Control Door Lock Only (no key)
2	160126	2	Key Only For Coinmach Control Door Lock
	160140	2	Key Only For High Security Control Door Lock (XX4451)
3	112350	1	ADC Logo Only
	112330	1	Coinmach Logo Only
4*	800028	1	AD - 24 High Security Control Door Assembly (includes illus. nos. 4 through 7)
	800135	1	AD - 24 Slide Meter Control Door Assembly (includes illus. nos. 4 through 7)
5	150201	4	10-32 x 1/4" Phil. R. H. Machine Screw
6	102307	3	Trim Bumper Gasket (sold in feet)
7	180206	1	AD - 24 Top Trim Strip With 2 Lock Holes
8	150420	4	10-16 x 5/8" Tamper Proof Tek-3 Screw
	150421	1	Tamper Proof Screw Hand Driver

* Specify color when ordering

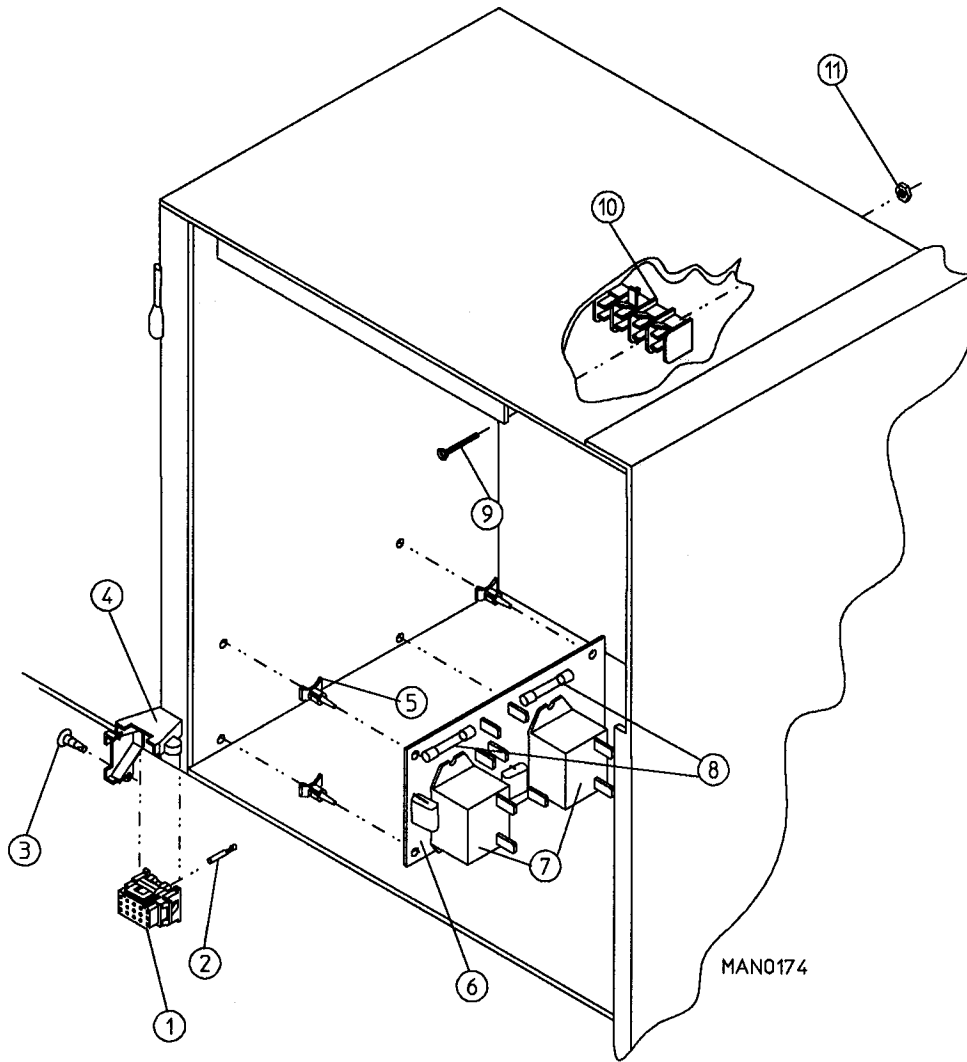


MAN0175

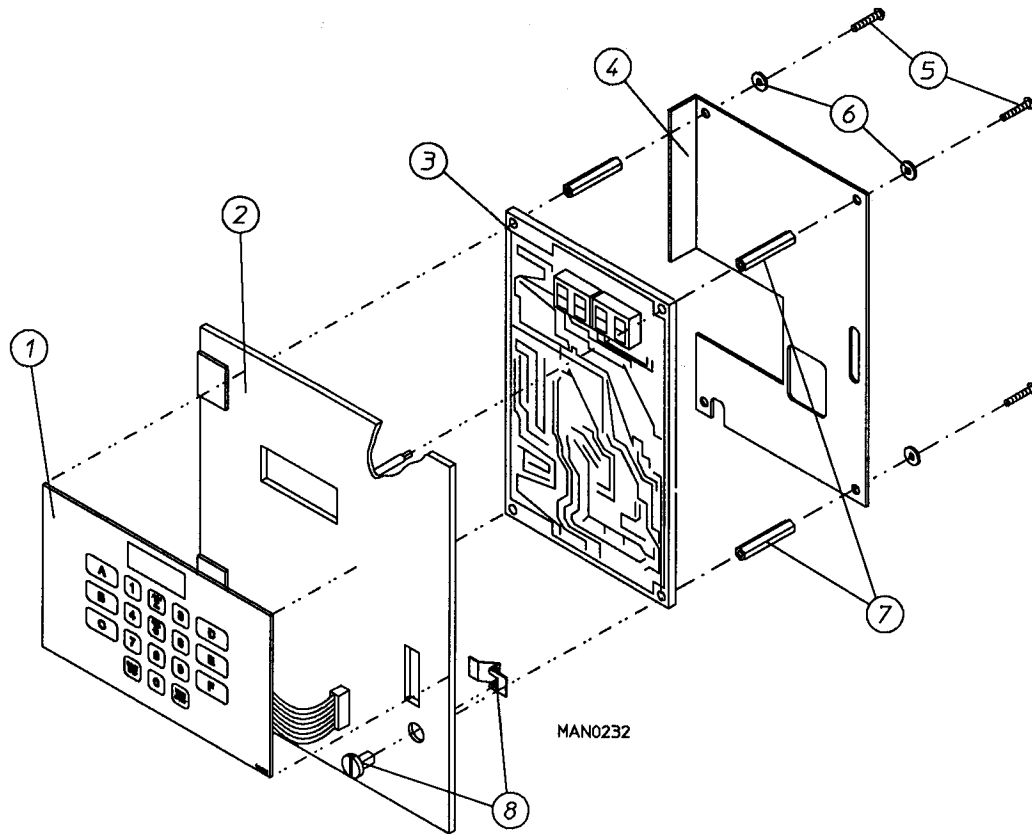
Illus. No.	Part No.	Qty.	Description
1	112535	1	O. P. L. English Keyboard Label Assembly
2	800057	1	Microprocessor Control Panel Only
	800164	1	Microprocessor Control Panel Only with Battery Bracket
	800161	1	Phase 3 O. P. L. Non Rev. Microprocessor Control Panel Assembly Complete (includes illus. nos. 1 through 5)
	800163	1	Phase 3 O. P. L. Non Rev. Microprocessor Control Panel Assembly Complete with Battery Option (includes illus. nos. 1 through 5)
3	137092	1	Phase 3 O. P. L. Non Rev. Controller Only
	137093	1	Phase 3 O. P. L. Non Rev. Controller Only with Battery Clip
4	152001	4	8-32 Hex Nut
5	160005	1	Spring Turn Latch (2 piece)

IMPORTANT: Check label on computer chip to verify correct part number for controller.

NOTE: O. P. L. controllers listed are suitable for all voltage applications



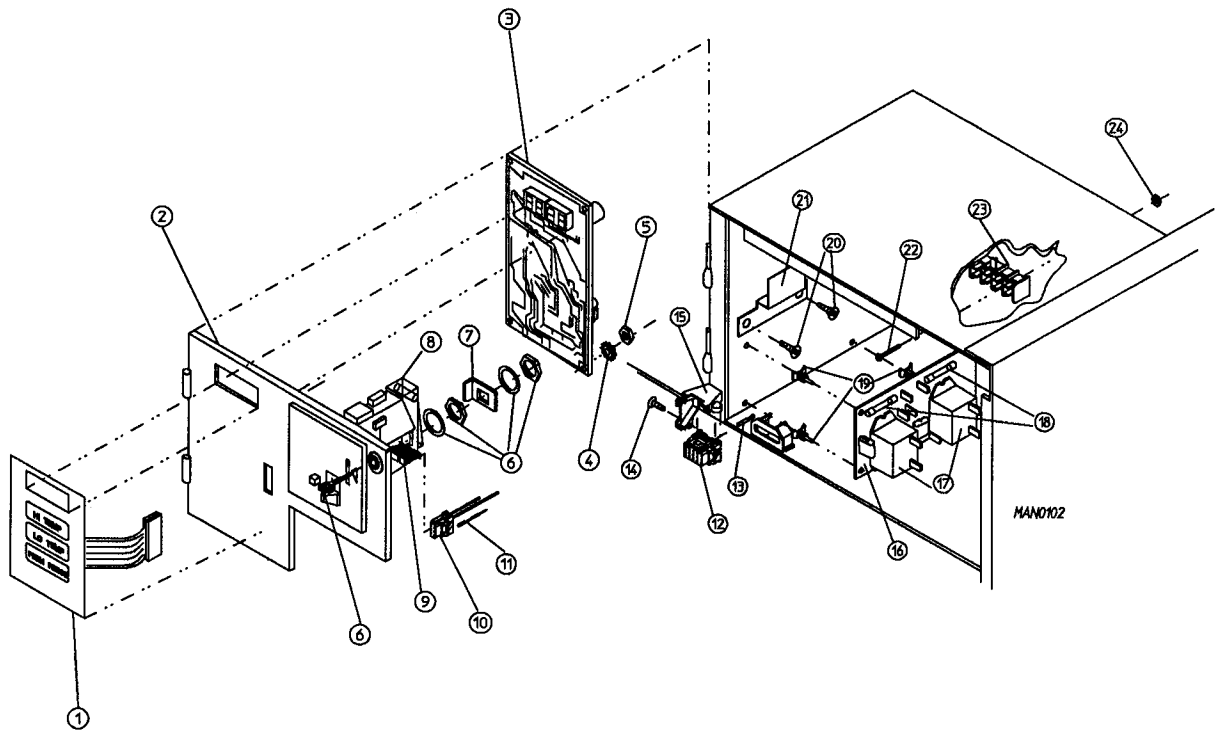
Illus. No.	Part No.	Qty.	Description
1	137020	1	15 Pin Microprocessor Connector Only
2	137021	13	Microprocessor Socket Only
	122800	1	Microprocessor (female) Pin Extraction Tool
3	150315	1	#6 x 3/8" Phil. P. H. Screw
4	137022	1	15 Pin Strain Relief
5	137013	4	Nylon Standoff
6	137077	1	Arc Suppressor Board with Relays 115V
	137061	1	Arc Suppressor Board Only (without relays)
	137150	1	Solid State Relay Board Only (115V application only)
7	131916	2	P. C. B. Relay Only 115V
8	136052	2	4-Amp Fuse Only
9	150002	2	6-32 x 1" R. H. Machine Screw
10	120709	1	Terminal Strip (8-position)
11	151000	2	6-32 Pal Nut



Illus. No.	Part No.	Qty.	Description
1	112535	1	O. P. L. English Keyboard Label Assembly
2	800057	1	Microprocessor Panel Only
	800164	1	Microprocessor Panel Assembly Only with Battery Bracket
	800171	1	Phase 4 O. P. L. Non Rev. Microprocessor Control Panel Assembly Complete (includes illus. nos. 1, 2, 3, 5, and 8)
	865095	1	Phase 4 O. P. L. Non Rev. Microprocessor Control Panel Assembly Complete with Battery Option (includes illus. nos. 1, 2, 3, 5, and 8)
3	137125	1	Phase 4 O. P. L. Non Rev. Controller Only
	137126	1	Phase 4 O. P. L. Non Rev. Controller Only with Battery Clip
4*	306052	1	Electrostatic Shield
5	150108*	4	8-32 x 1/2" P. H. Machine Screw
	152001	4	8-32" Hex Nut
6*	153000	4	#8 Steel Burr
7*	137011	4	8/32" Aluminum Standoff
8	160005	1	Spring Turn Latch (2 piece)

IMPORTANT: Check label on computer chip to verify correct part number for controller.

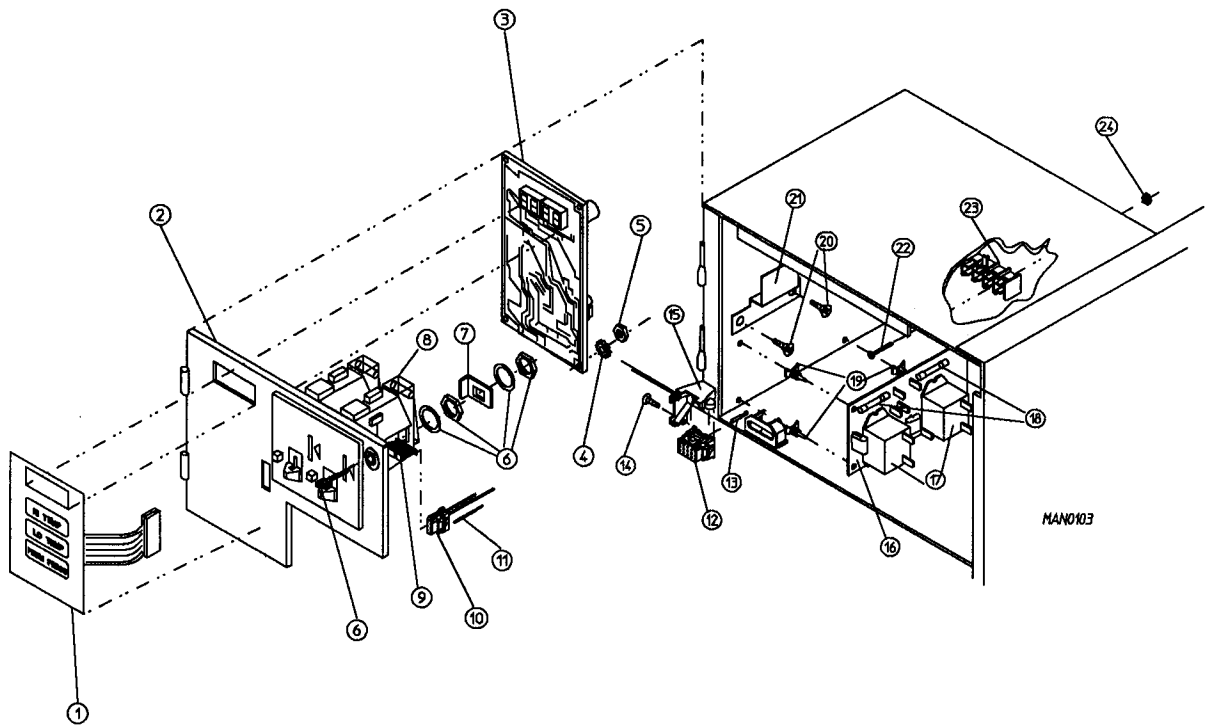
* Used on gas dryer models with Direct Spark Ignition (DSI) system manufactured prior to March 13,1989.



Illus. No.	Part No.	Qty.	Description
1	112526	1	Coin Keyboard Label Assembly
2	800175	1	Phase 4 Coin Control Panel Assembly (includes illus. nos. 1 through 5)
	800176	1	Phase 4 Coin Control Panel Assembly with Battery Option (includes illus. nos. 1 through 5)
	865100	1	Coin Control Panel Only
3	137110	1	Phase 4 Coin Controller Only
	137115	1	Phase 4 Coin Controller Only with Battery Clip
4	153012	4	#8 Star Washer
5	152001	4	#8-32 Hex Nut
6	160015	1	MK-100 High Security Lock Assembly Only With Key
	160104	1	MK-100 Key Only
7	160012	1	AD-24 Computer Panel Lock Cam Only
8*	125100	1	25¢ Optic Coin Acceptor
9	137056	1	Optic Switch Only (Greenwald)
10	137023	1	Optic Switch Connector Only
11	137021	3	Microprocessor Socket Only
	865050	1	Single Coin Optical Switch Harness
12	137020	1	15 Pin Microprocessor Connector Only
13	137021	14	Microprocessor Socket Only
	122800	1	Microprocessor (female) Pin Extraction Tool
14	150315	1	#6 x 3/8" Phillips Pan Head Tek Screw
15	137022	1	15-Pin Strain Relief Only
16	137077	1	Arc Suppressor Board with Relays 115V
	137061	1	Arc Suppressor Board Only (without relays)
	137150	1	Solid State Relay Board Only (115V application only)
17	131916	2	P. C. B. Relay Only 115V
18	136052	2	4-Amp Fuse Only
19	137013	4	Nylon Standoff
20	150301	2	8-18 x 7/16" Phillips Pan Head Tek Screw
21	305542	1	Battery Bracket
22	150002	2	6-32 x 1" R. H. Machine Screw
23	120709	1	Terminal Strip (8-position)
24	151000	2	6-32 Pal Nut

IMPORTANT: Check label on computer chip to verify correct part number of controller.

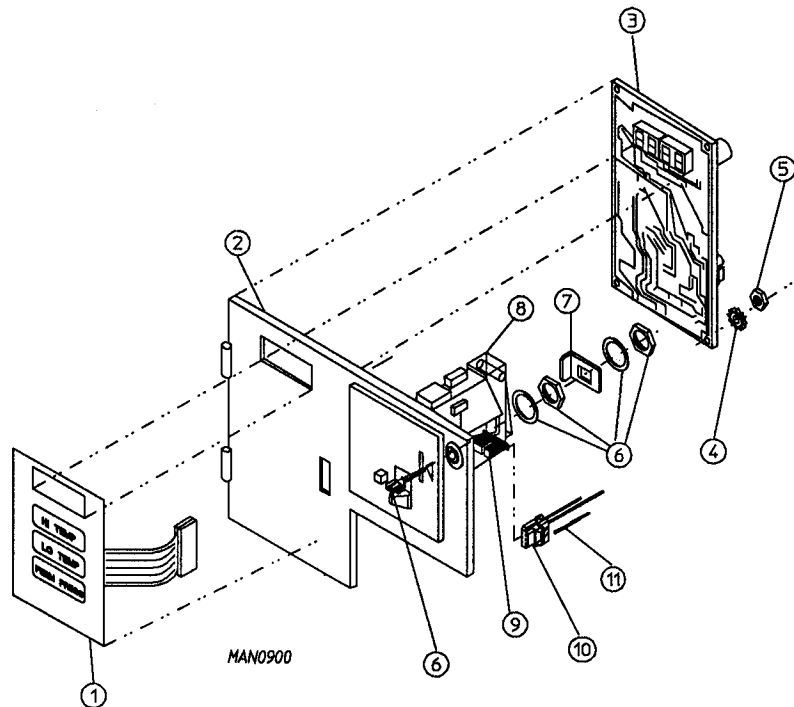
* Consult factory for coin acceptors not listed.



Illus. No.	Part No.	Qty.	Description
1	112526	1	Coin Keyboard Label Assembly
2	800175	1	Phase 4 Coin Control Panel Assembly (includes illus. nos. 1 through 5)
	800176	1	Phase 4 Coin Control Panel Assembly with Battery Option (includes illus. nos. 1 through 5)
	865100	1	Coin Control Panel Only
3	137110	1	Phase 4 Coin Controller Only
	137115	1	Phase 4 Coin Controller Only with Battery Clip
4	153012	4	#8 Star Washer
5	152001	4	#8-32 Hex Nut
6	160015	1	MK-100 High Security Lock Assembly Only With Key
	160104	1	MK-100 Key Only
7	160012	1	AD-24 Computer Panel Lock Cam Only
8*	125116	1	10¢/25¢ Optic Coin Acceptor
9	137056	2	Optic Switch Only (Greenwald)
10	137023	2	Optic Switch Connector Only
11	137021	6	Microprocessor Socket Only
	865051	1	Dual Coin Optical Switch Harness
12	137020	1	15 Pin Microprocessor Connector Only
13	137021	14	Microprocessor Socket Only
	122800	1	Microprocessor (female) Pin Extraction Tool
14	150315	1	#6 x 3/8" Phillips Pan Head Tek Screw
15	137022	1	15-Pin Strain Relief Only
16	137077	1	Arc Suppressor Board with Relays 115V
	137061	1	Arc Suppressor Board Only (without relays)
	137150	1	Solid State Relay Board Only (115V application only)
17	131916	2	P. C. B. Relay Only 115V
18	136052	2	4-Amp Fuse Only
19	137013	4	Nylon Standoff
20	150301	2	8-18 x 7/16" Phillips Pan Head Tek Screw
21	305542	1	Battery Bracket
22	150002	2	6-32 x 1" R. H. Machine Screw
23	120709	1	Terminal Strip (8-position)
24	151000	2	6-32 Pal Nut

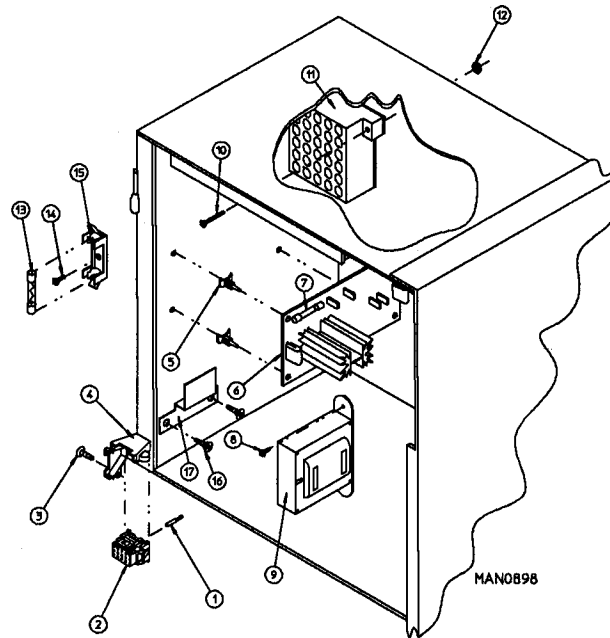
IMPORTANT: Check label on computer chip to verify correct part number of controller.

* Consult factory for coin acceptors not listed.



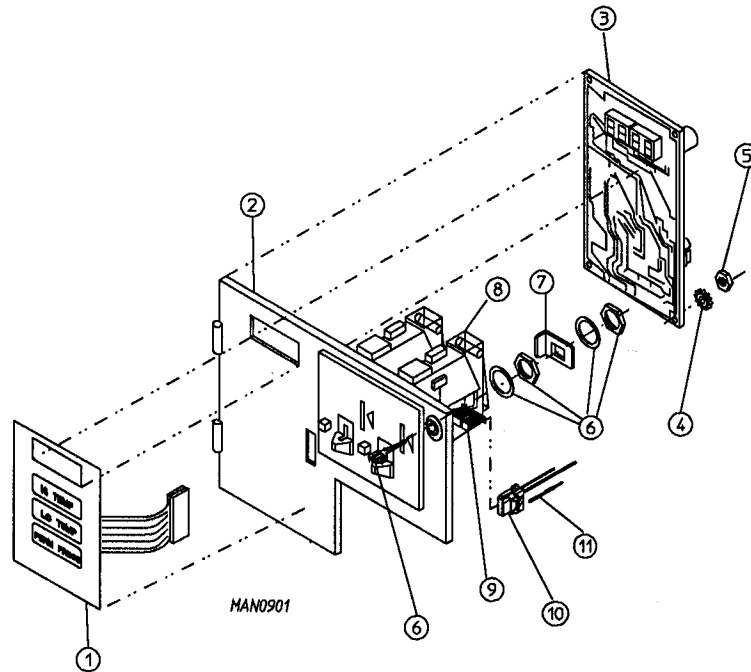
Illus No.	Part No.	Qty.	Description
1	112526	1	Coin Keyboard Label Assembly
2	800185	1	Phase 4.1 Coin Control Panel Assembly (includes illus. nos. 1 through 5)
	800186	1	Phase 4.1 Coin Control Panel Assembly with Battery Option (includes illus. nos. 1 through 5)
	865100	1	Coin Control Panel Only
3	137130	1	Phase 4.1 Coin Controller Only
	137131	1	Phase 4.1 Coin Controller Only With Battery Clip
4	153012	4	#8 Star Washer
5	152001	4	#8-32 Hex Nut
6	160015	1	MK-100 High Security Lock Assembly Only With Key
	160104	1	MK-100 Key Only
7	160012	1	AD-24 Computer Panel Lock Cam Only
8	----	1	Microprocessor Single Coin Acceptor With Optical Switch (See Microprocessor Coin Acceptor Listing on page 43)
	125100	1	25¢ Optic Coin Acceptor
9	137056	1	Optic Switch Only (Greenwald)
10	137023	1	Optic Switch Connector Only
11	137021	3	Microprocessor Socket Only
	865050	1	Single Coin Optic Switch Harness

IMPORTANT: Check label on computer chip to verify correct part number of controller.



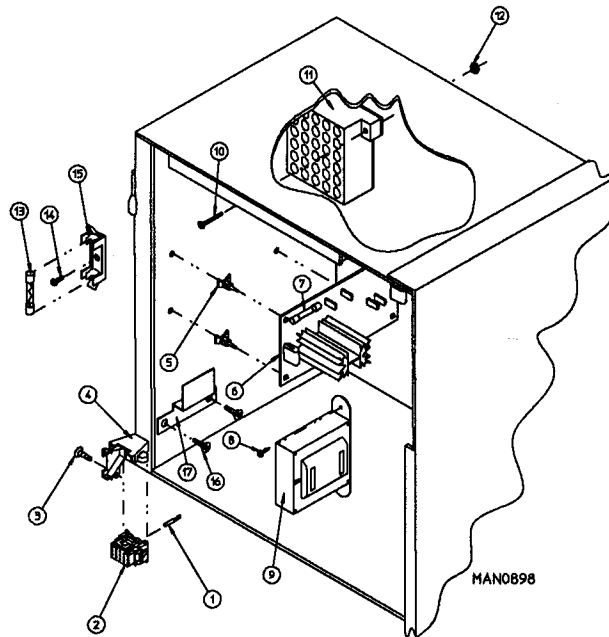
Illus No.	Part No.	Qty.	Description
1	137021	12	Microprocessor Socket Only
2	137020	1	15-Pin Microprocessor Connector Only
	122800	1	Microprocessor (female) Pin Extraction Tool
3	150315	1	#6 x 3/8" Phillips Pan Head Screw
4	137022	1	15-Pin Strain Relief Only
5	137013	4	Nylon Standoff
6	137151	1	Solid State Relay Board
	137061	1	Arc Suppressor Board Only without Relay
	131916	1	P. C. B. (electromechanical) Relay Only (115V)
	131930	1	P. C. B. (electromechanical) Relay Only (208 / 230V)
7	136057	*	1/2-Amp (Slo-Blo) Fuse Only
	136052	*	4-Amp Fuse Only
8	150300	2	#10 x 1/2" Hex Washer Tek. Screw
9	141403	1	DSI 24VAC Transformer (gas models with Direct Spark Ignition ONLY)
10	150002	2	#6-32 x 1" Round Head Machine Screw
11	120715	1	30-Position Terminal Block
12	151000	2	#6-32 Pal Nut
13	136057	*	1/2-Amp (Slo-Blo) Fuse Only
14	150301	*	#8-7/16 Self-Tapping Screw
15	136008	*	Fuse Block / Strip Only
16	150301	2	#8-18 x 7/16" Phillips Pan Head Tek Screw
17	305542	1	Battery Bracket

* As Required



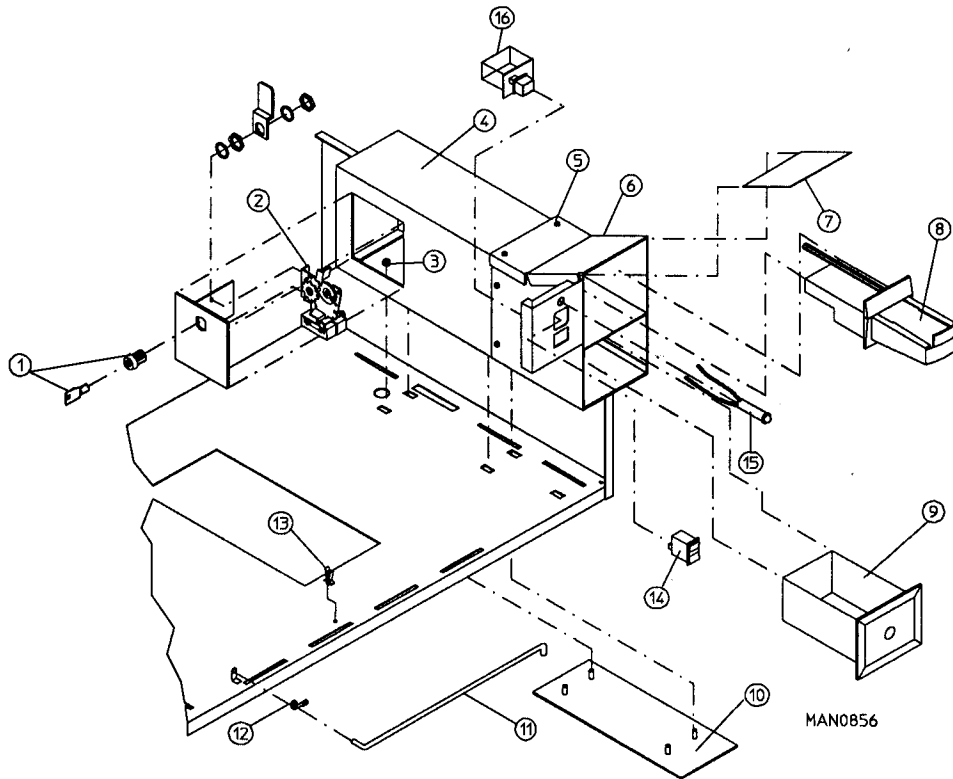
Illus No.	Part No.	Qty.	Description
1	112526	1	Coin Keyboard Label Assembly
2	800185	1	Phase 4.1 Coin Control Panel Assembly (includes illus. nos. 1 through 5)
	800186	1	Phase 4.1 Coin Control Panel Assembly with Battery Option (includes illus. nos. 1 through 5)
	865100	1	Coin Control Panel Only
3	137130	1	Phase 4.1 Coin Controller Only
	137131	1	Phase 4.1 Coin Controller Only With Battery Clip
4	153012	4	#8 Star Washer
5	152001	4	#8-32 Hex Nut
6	160015	1	MK-100 High Security Lock Assembly Only With Key
	160104	1	MK-100 Key Only
7	160012	1	AD-24 Computer Panel Lock Cam Only
8	-----	1	Microprocessor Dual Coin Acceptor With Optical Switch (See Microprocessor Coin Acceptor Listing on page 43)
	125116	1	10¢/25¢ Optic Coin Acceptor
9	137056	2	Optic Switch Only (Greenwald)
10	137023	2	Optic Switch Connector Only
11	137021	6	Microprocessor Socket Only
	865051	1	Dual Coin Optic Switch Harness

IMPORTANT: Check label on computer chip to verify correct part number of controller.



Illus No.	Part No.	Qty.	Description
1	137021	12	Microprocessor Socket Only
2	137020	1	15-Pin Microprocessor Connector Only
	122800	1	Microprocessor (female) Pin Extraction Tool
3	150315	1	#6 x 3/8" Phillips Pan Head Screw
4	137022	1	15-Pin Strain Relief Only
5	137013	4	Nylon Standoff
6	137151	1	Solid State Relay Board
	137061	1	Arc Suppressor Board Only without Relay
	131916	1	P. C. B. (electromechanical) Relay Only (115V)
	131930	1	P. C. B. (electromechanical) Relay Only (208 / 230V)
7	136057	*	1/2-Amp (Slo-Blo) Fuse Only
	136052	*	4-Amp Fuse Only
8	150300	2	#10 x 1/2" Hex Washer Tek. Screw
9	141403	1	DSI 24VAC Transformer (gas models with Direct Spark Ignition ONLY)
10	150002	2	#6-32 x 1" Round Head Machine Screw
11	120715	1	30-Position Terminal Block
12	151000	2	#6-32 Pal Nut
13	136057	*	1/2-Amp (Slo-Blo) Fuse Only
14	150301	*	#8-7/16 Self-Tapping Screw
15	136008	*	Fuse Block / Strip Only
16	150301	2	#8-18 x 7/16" Phillips Pan Head Tek Screw
17	305542	1	Battery Bracket

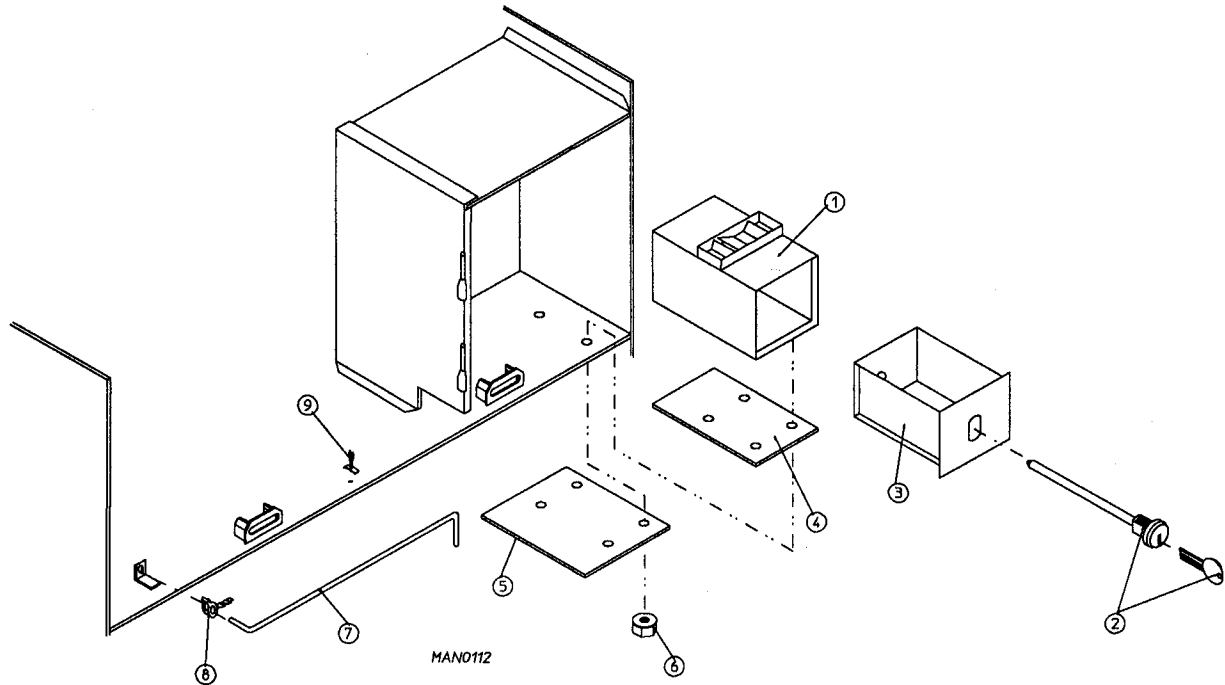
* As Required



Illus. No.	Part No.	Qty.	Description
1	160099	1	Lock / Key / Cam and Hardware
	160199*	1	Key Only for Slide Meter Lock
2	125906	1	Slide Meter Accumulator 115VAC
3	152014	4	1/4-20 Free Spin Wash Nut
4	125900	1	Slide Meter Case Only With Door Less Lock
5	154203	6	1/4" Drive Rivet
6	801700	1	Slide Meter Extension Only with Mirror (includes illus. nos. 6 and 7)
7	315404	1	Stainless Steel Mirror Only
8	-----	1	Typical Slide Meter Coin Chute (not available from ADC)
9	-----	1	Typical Slide Meter Coin Box (not available from ADC)
10	801701	1	Slide Meter Case Mounting Plate
11	102502	1	Control Door Support Rod
12	102601	1	Control Door Support Rod Retainer Clip
13	102600	1	Control Door Support Rod Catch
14	122400	1	Rocker Heat Selector Switch
15	123000	1	Red Indicator Light 115VAC
16	131812	1	Push-to-Start Relay 115VAC

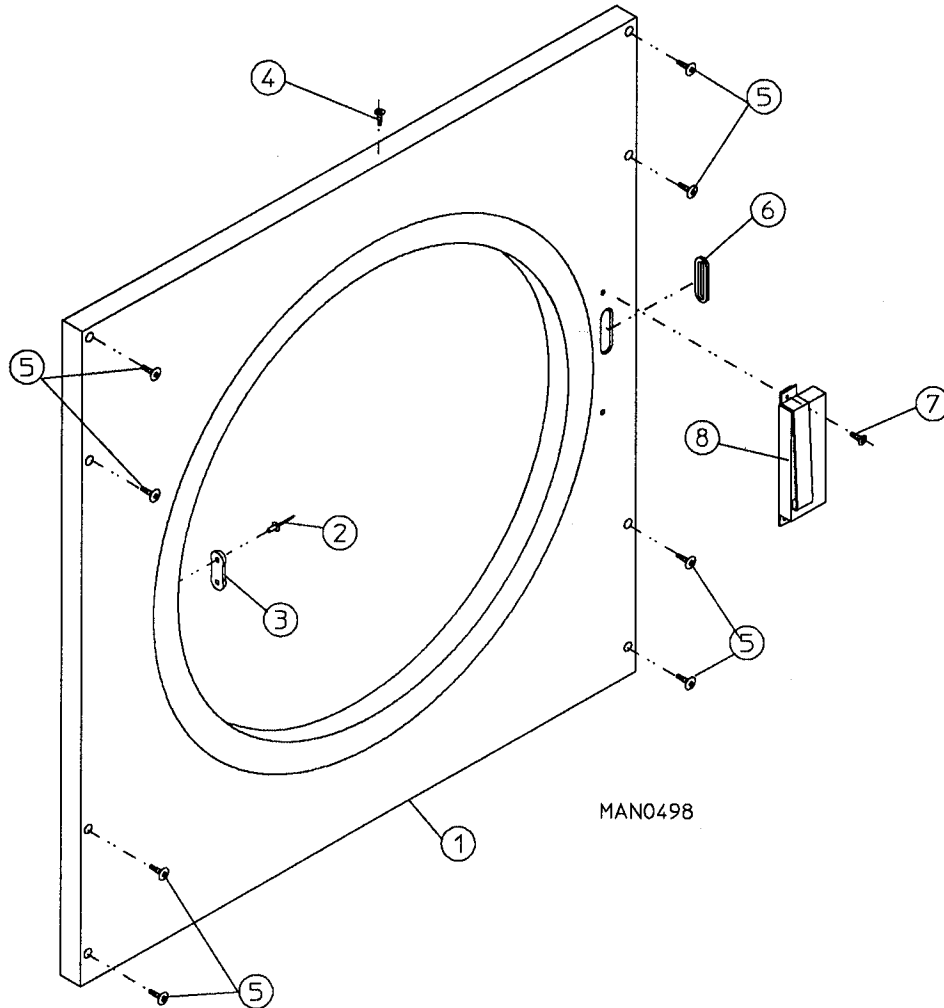
IMPORTANT: Parts listed are for 115VAC controls only. For other voltages, contact factory.

* Specify key number when ordering.



Illus. No.	Part No.	Qty.	Description
1	802146	1	AD - 24 High Security Coin Vault Assembly Complete (includes illus. nos. 1 through 3)
	802139	1	AD - 24 High Security Coin Vault Only
2	160023*	1	Coinmach High Security Lock with Key
	160114*	1	Key Only for Coinmach High Security Lock
	160022	1	AD - 24 High Security Screw Lock with Key
	160113	1	Key Only For High Security Screw Lock
3	802138	1	AD - 24 High Security Coin Box Assembly with Lock
	802147	1	AD - 24 High Security Coin Box Only
4	316048	1	AD - 24 Coin Vault Spacer Plate
5	309250	1	AD - 24 Coin Vault Slot Cover
6	152014	4	1/4-20 Free Spin Wash Nut
7	102502	1	AD - 24 Control Door Support Rod
8	102601	1	Control Door Rod Retainer Clip
9	102600	1	Control Door Support Rod Catch

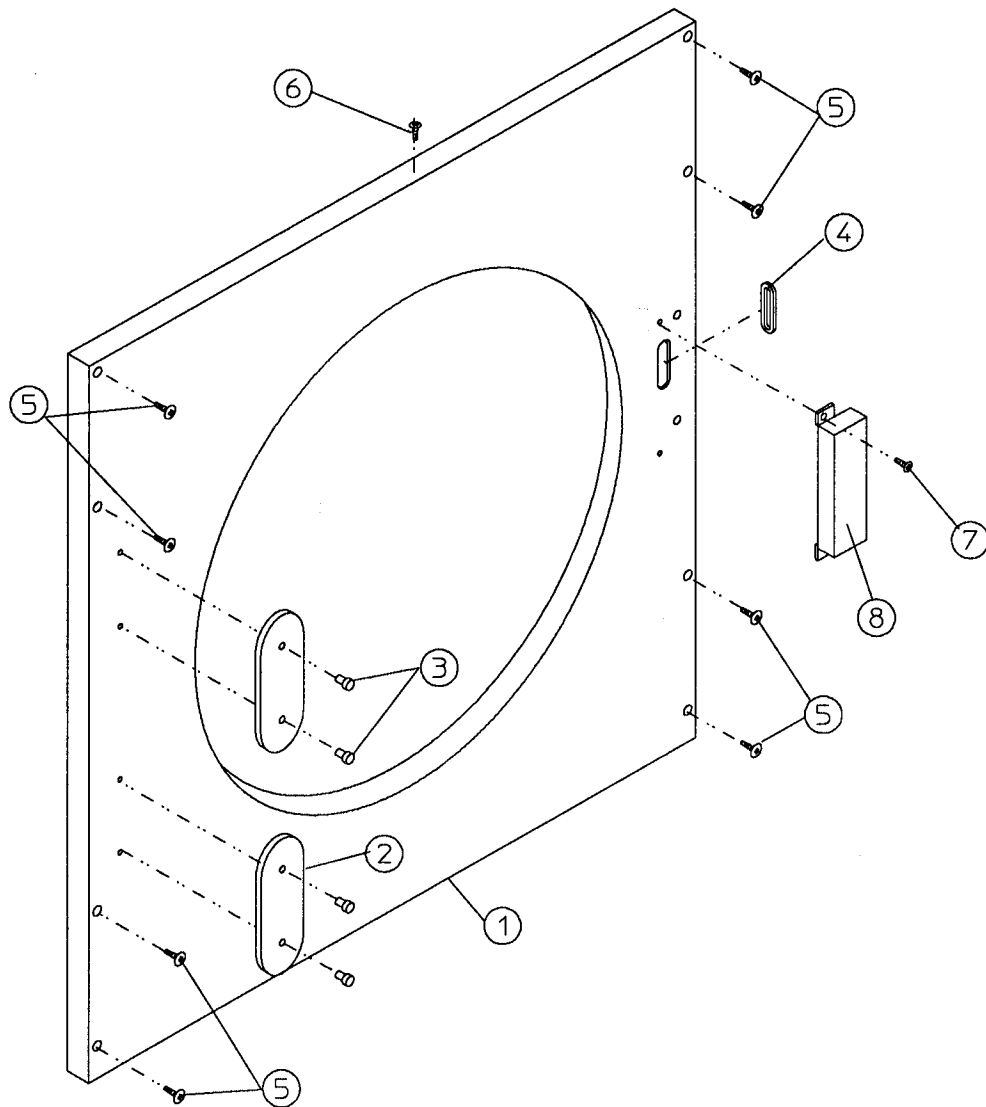
* Specify key number when ordering



Illus. No.	Part No.	Qty.	Description
1	800675	1	AD-24 R. H. Insulated Front Panel Assembly (latch type) Complete w / Hinge (includes illus. nos. 1, 2, 3, and 6)
2	154215	2	5/32" Pop Rivet
3	170330	1	Friction Door Latch
4	150300	1	#10 x 1/2" Hex Washer Tek. Screw
5	150415	8	#10-16 x 1/2" Phillips Right-Hand Crimptite Screw
6	121405	1	Rubber Grommet
7	150205	2	#10-32 x 1/4" Fillister Head Screw
8	-----	1	N. S. Series Door Switch (<u>FOR MICROPROCESSOR MODELS MFD. AS OF NOV. 21, 1990 AND NON-MICROPROCESSOR MODELS MFD. AS OF NOV. 15, 1990</u>) See Main Door Switch Assembly on Page 20

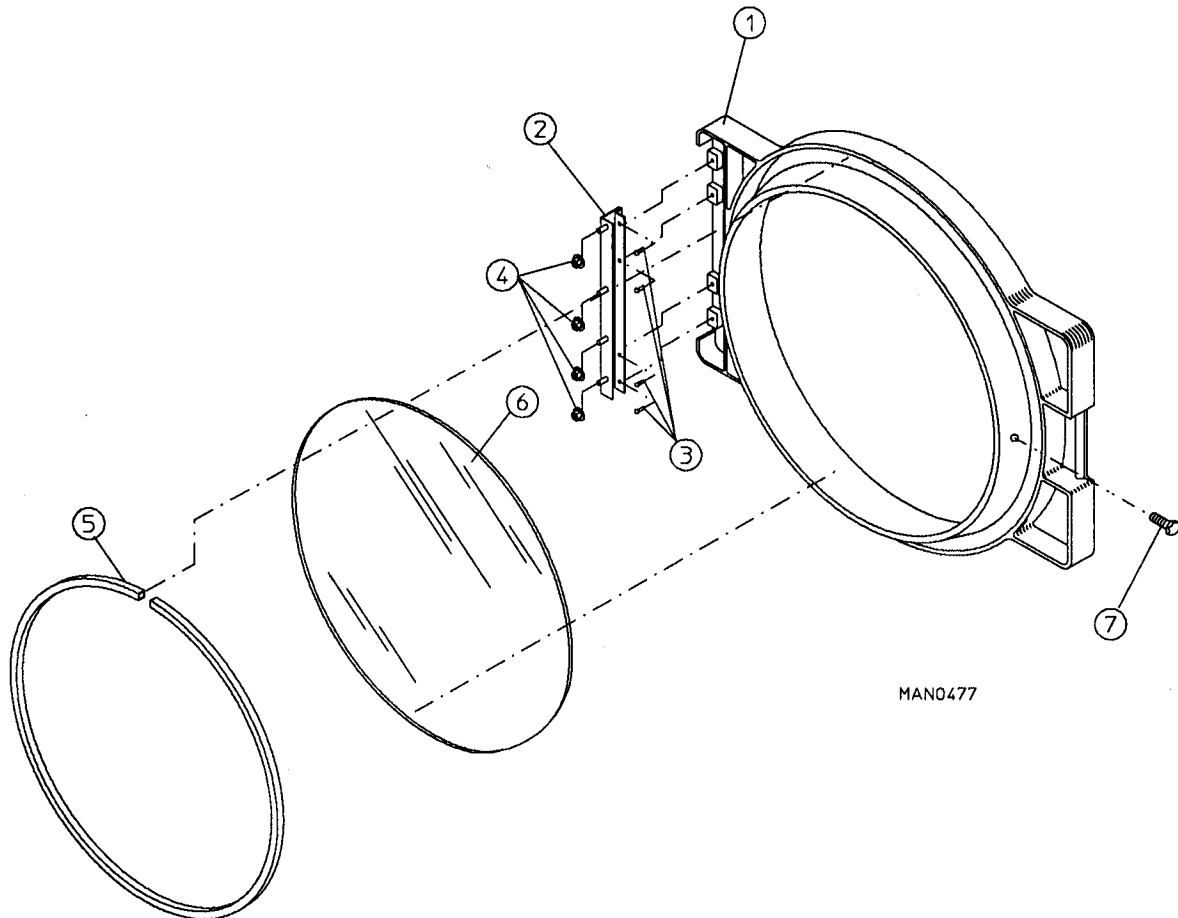
* Specify color when ordering

Magnet - Type



Illus. No.	Part No.	Qty.	Description
1	800379	1	AD - 24 R. H. Front Panel Assembly (magnet-type) Complete with Hinge (includes illus. nos. 1 through 4)
2	170340	2	3-1/2" Stainless Steel Striker Pad
3	154200	4	5/32" Pop Rivet
4	121405	1	Rubber Grommet
5	150415	8	#10-16 x 1/2" Phillips Right-Hand Crimptite Screw
6	150301	1	#10 x 1/2" Hex Washer Tek. Screw
7	150201	2	#10-32 x 1/4" Phillips Pan Head Tek. Screw
8	-----	1	Plunger-Type Door Switch (<u>FOR MICROPROCESSOR MODELS MFD. PRIOR TO NOV. 21, 1990 AND NON-MICROPROCESSOR MODELS MFD. PRIOR TO NOV. 15, 1990</u> See Main Door Switch Assembly on page 21.

* Specify color when ordering.

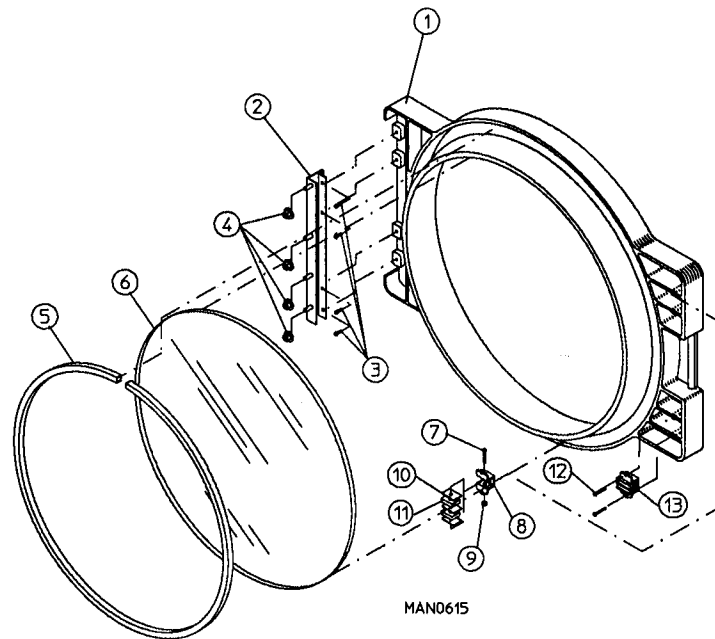


MAN0477

Illus. No.	Part No.	Qty.	Description
1*	800285	1	Gray Main Door Assembly (latch- type) Complete (includes illus. nos. 1 and 5 through 7)
2	103050	1	12-1/2" Stainless Steel Main Door Hinge
3	150410	4	#10-24 x 3/8" Phillips Pan Head Taptite Screw
4	152014	4	1/4-20 Free Spin Wash Nut
5	102350	1	68-1/2" Main Door Gasket
6	102210	1	20-7/16" Door Glass
	170730	1	Glass Adhesive for Lightweight (plastic) Main Door Assembly
7	150431	1	Main Door Latch Screw (#10x7/16" dome hex head screw)

* Contact factory for colors other than gray.

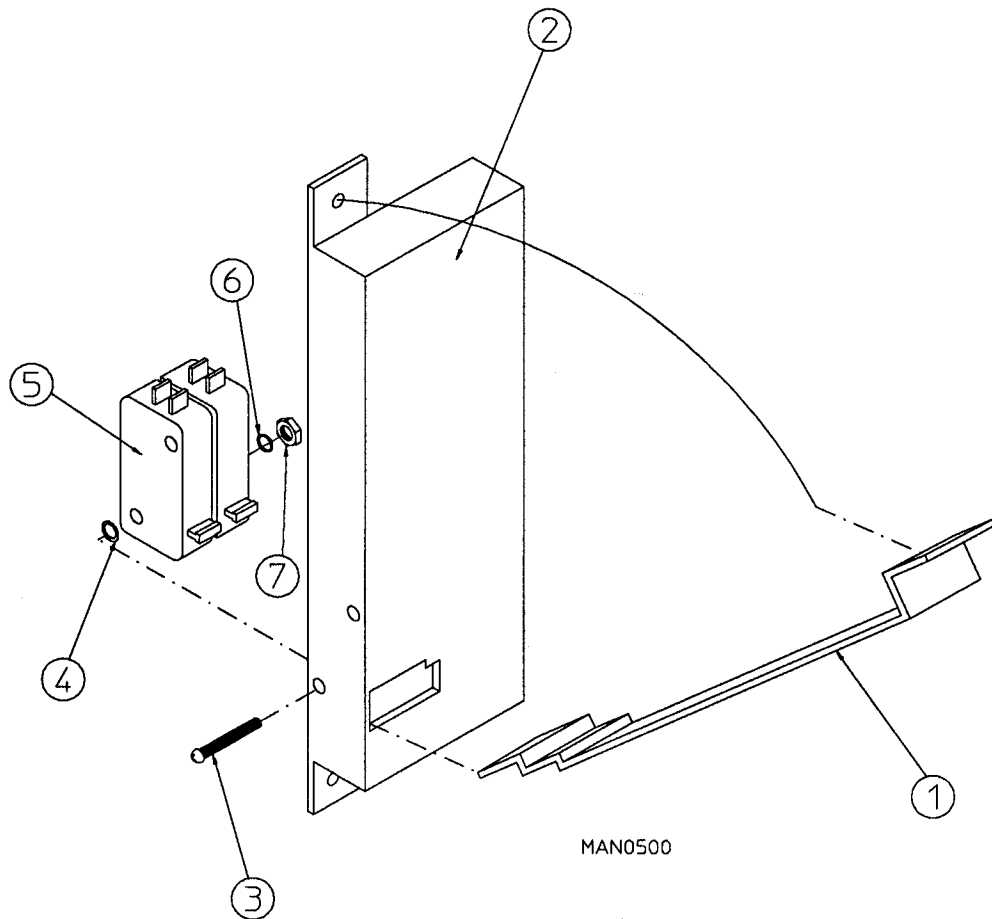
Magnet - Type



Illus. No.	Part No.	Qty.	Description
1*	800136**	1	Gray Main Door Assembly (magnet-type) Complete (includes (illus. nos. 1 through 12)
	800133**	1	Gray Main Door Assembly (magnet-type) Less Accessories (includes illus. nos. 1, 2, and 3 only)
	800134**	1	Gray Main Door Assembly (magnet-type) with Glass, Gasket and Hinge Only (includes illus. nos. 1, 2, 3, 5, and 6 only)
2	103050	1	12-1/2" Stainless Steel Main Door Hinge
3	150410	4	#10-24 x 3/8" Phillips Pan Head Taptite Screw
4	152014	4	1/2-20 Free Spin Wash Nut
5	102350	1	68-1/2" Main Door Gasket
6	102210	1	20-7/16" Door Glass
7	150002	2	#6-32 x 1" Right-Hand Machine Screw
8	102105	2	Magnet Holder Only
9	152013	2	#6-32 Hex Nut
10	306802	6	Magnet Keeper
11	102102	4	Door Magnet (.215)
12	150410	4	#10-24 x 3/8" Phillips Pan Head Taptite Screw
13	800131	2	Cast Aluminum Magnet Holder Assembly Complete (includes illus. nos. 7 through 11)
	170730	1	Glass Adhesive for Lightweight (plastic) Main Door
	170725	1	Glass and Gasket Adhesive for Cast Main Door

* All dryers manufactured as of June 1, 1989, are built with a lightweight (plastic) main door assembly.

** Contact factory for colors other than gray.



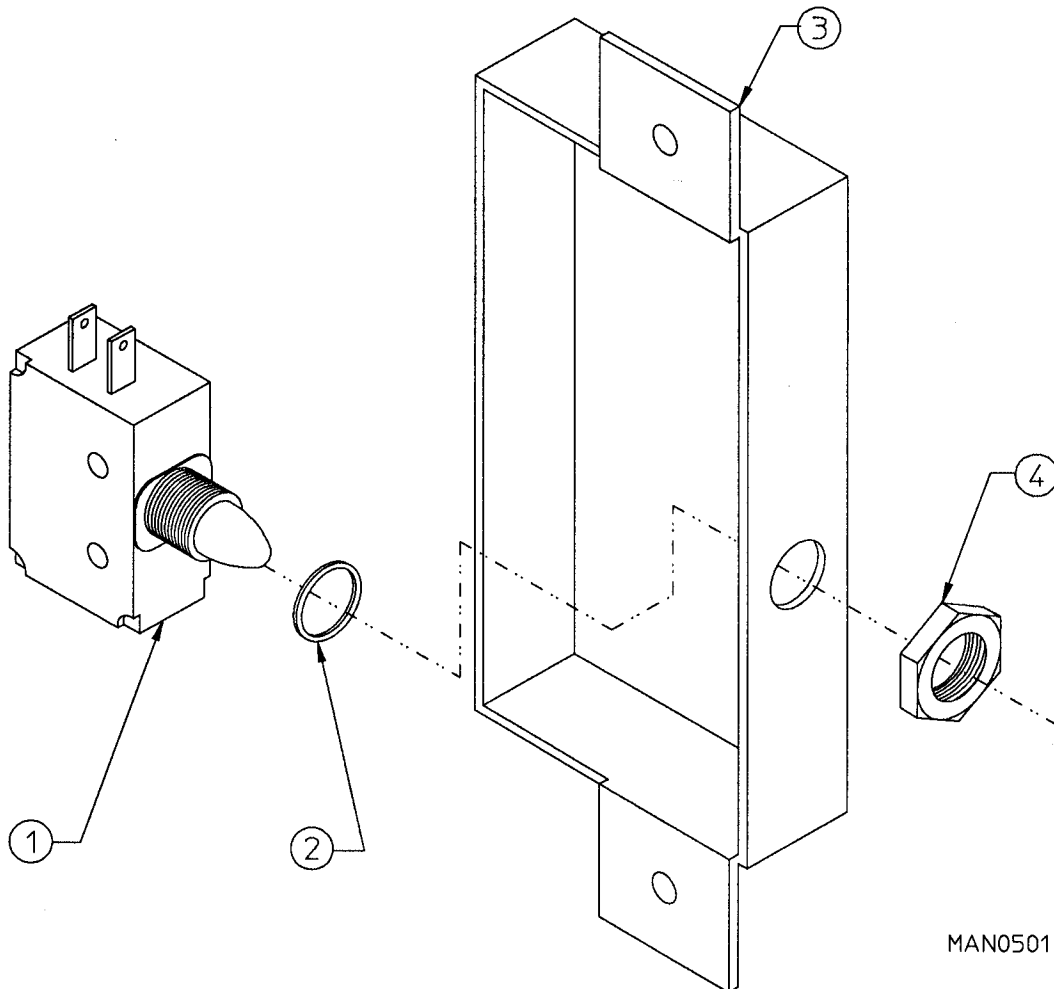
Illus No.	Part No.	Qty.	Description
1	313215	1	Door Switch Actuator Arm
2	800445*	1	N. S. Series <u>MICROPROCESSOR</u> Main Door Switch Housing Assembly Complete (includes illus. nos. 1 through 7) <u>FOR MODELS MFD. AS OF NOV. 21, 1990</u>
	800446**	1	N. S. Series <u>NON-MICROPROCESSOR</u> Main Door Switch Housing Assembly Complete (includes illus. nos. 1 through 7) <u>FOR MODELS MFD. AS OF NOV. 15, 1990</u>
3	150025	2	#4-40 x 1" Pan Head Machine Screw
4	153045	2	#4 Lock Washer
5	137004	***	N. S. Series Main Door Switch Only
6	153045	2	#4 Lock Washer
7	152016	2	#4-40 Hex Nut

* Microprocessor model dryers require two (2) N. S. Series Main Door Switches.

** Non-microprocessor model dryers require one (1) N. S. Series Main Door Switch.

*** As Required (either 1 or 2)

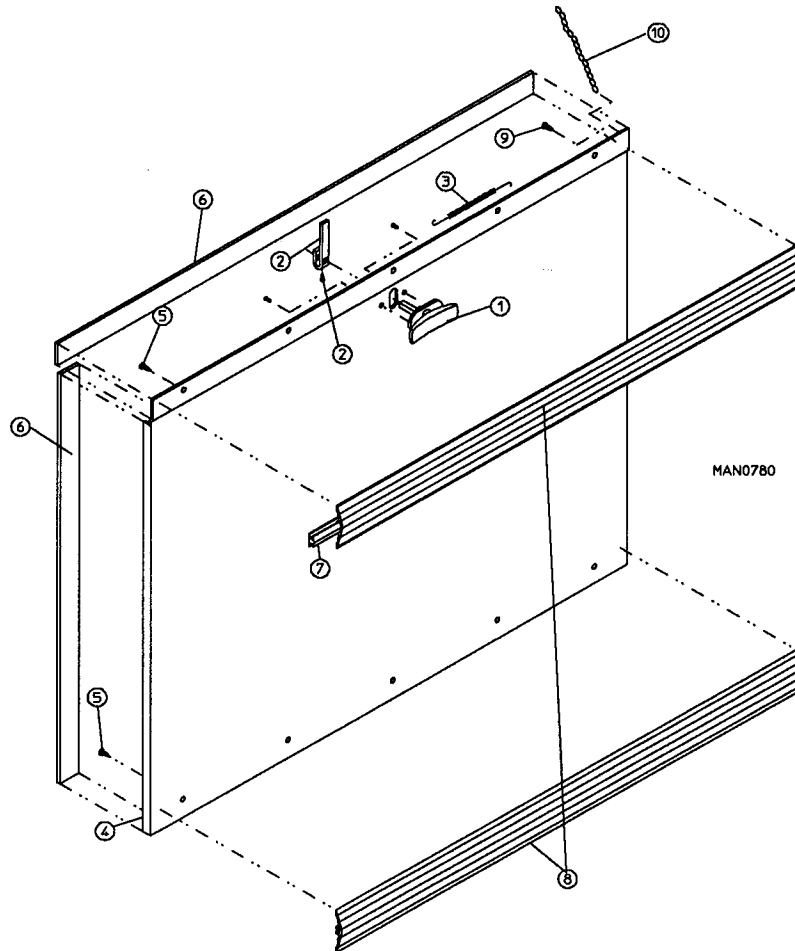
Plunger - Type



MAN0501

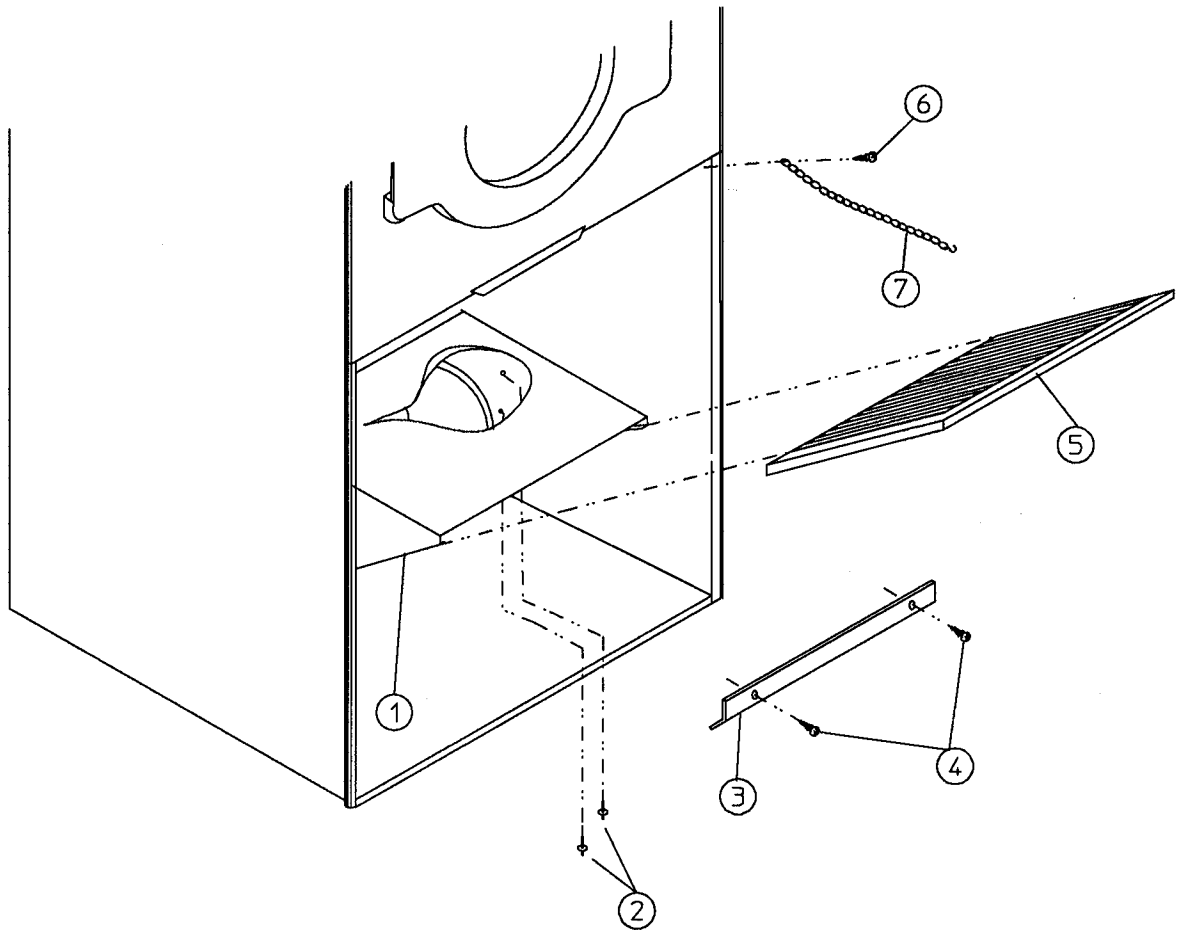
Illus. No.	Part No.	Qty.	Description
1	137003	1	Plunger-Type Main Door Switch
2	401551	*	Door Switch Spacer / Washer
3	870010	1	Plunger-Type Main Door Switch Assembly Complete (includes illus. nos. 1 through 4) <u>FOR MICROPROCESSOR MODELS MFD. PRIOR TO NOV. 21, 1990, AND NON-MICROPROCESSOR MODELS MFD. PRIOR TO NOV. 15, 1990</u>
	313209	1	Main Door Switch Housing Only
4	152003	1	3/8-32 x 1/2" Door Switch Nut

* As Required (either 1 or 2)



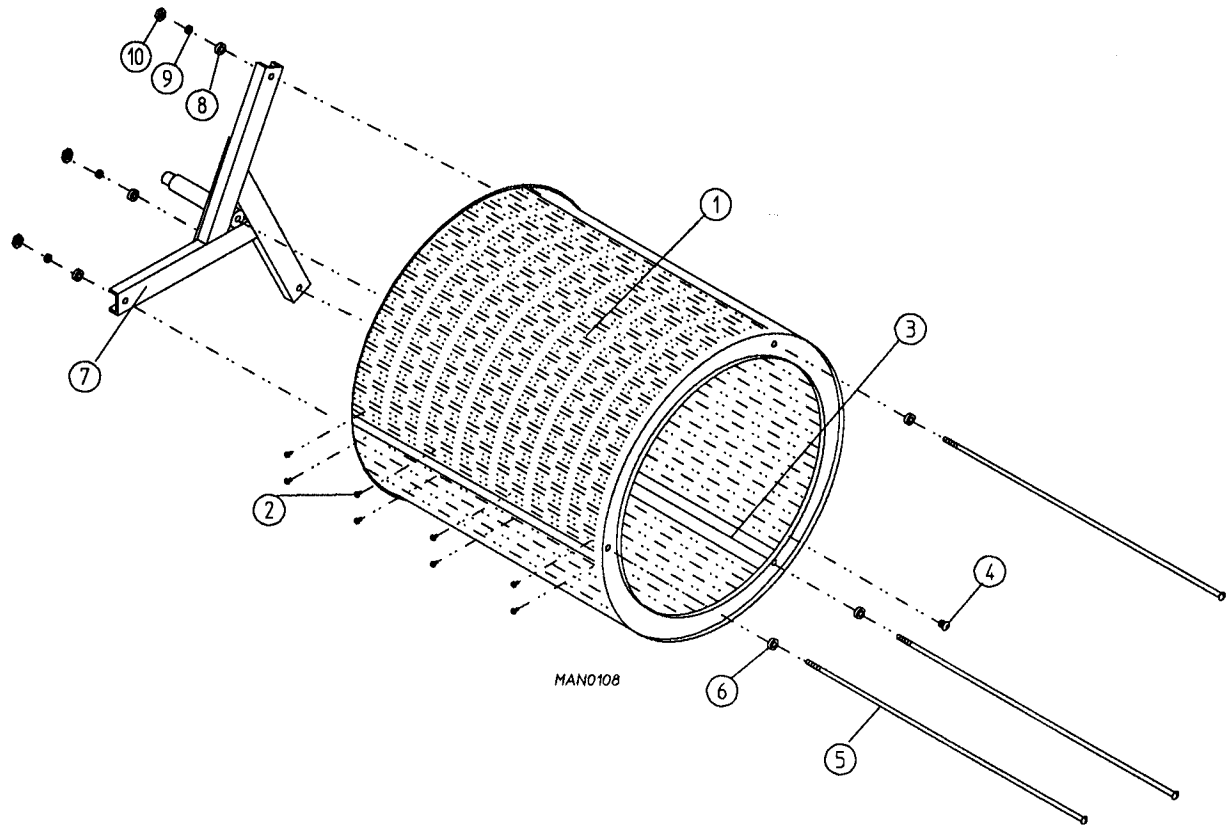
Illus. No.	Part No.	Qty.	Description
1	800150	1	Knob Latch Assembly Complete (includes illus. nos. 1 and 2)
	160200	1	Knob Latch with 2 Screws
2	160009	1	Knob Latch Adjustable Cam
	150425	1	#12-24 x 3/8" Slotted Pan Head Screw For Cam
3	157000	1	Drop Lint Door Spring
4*	800199	1	AD - 24 Drop Lint Door Assembly (includes illus. nos. 4 through 8)
5	150201	10	10-32 x 1/4" Phil. R. H. Machine Screw
6	117600	7	Noise Suppressor Tape (sold in feet)
7	102307	3	Trim Bumper Gasket (sold in feet)
8	180213	2	AD - 24 Trim / Kick Plate (28-3/8" long)
9	150415	2	10-16 x 1/2" Phil. R. H. Crimptite Screw
10	108120	1	Chain for Drop Lint Door (sold in feet)

* Specify color when ordering.



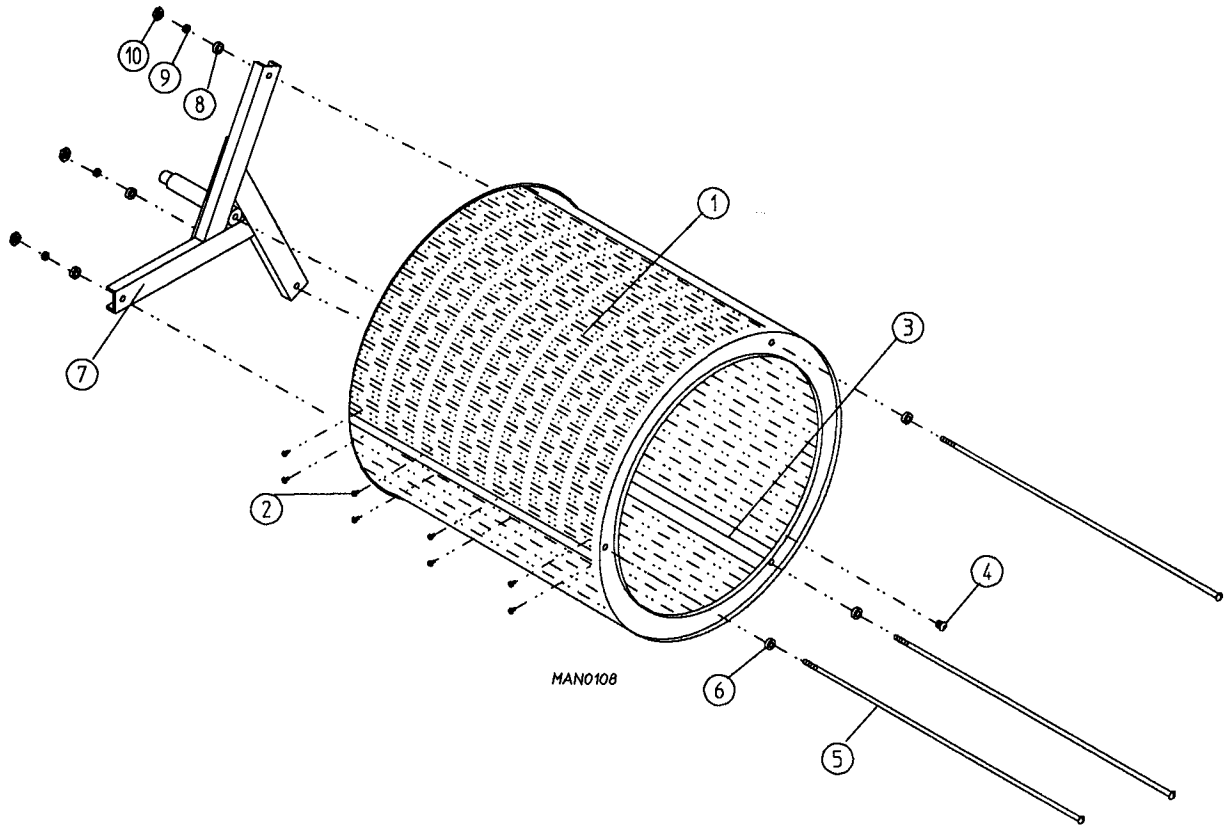
MAN0107

Illus. No.	Part No.	Qty.	Description
1	800429	1	AD - 24 Lint Trap Assembly Complete (includes illus. nos. 1, 3, 4, and 5)
	800419	1	AD - 24 Lint Trap Only
2	154200	7	5/32 Pop Rivet
3	304102	1	Lint Screen Holder Only
4	150415	2	10-16 x 1/2" Phil. R. H. Crimptite Screw
5	800503	1	Lint Screen Only
6	150419	2	#6 Tamper Proof Screw
	150418	1	Tamper Proof Driver
7	108120	1	Chain for Drop Lint Door

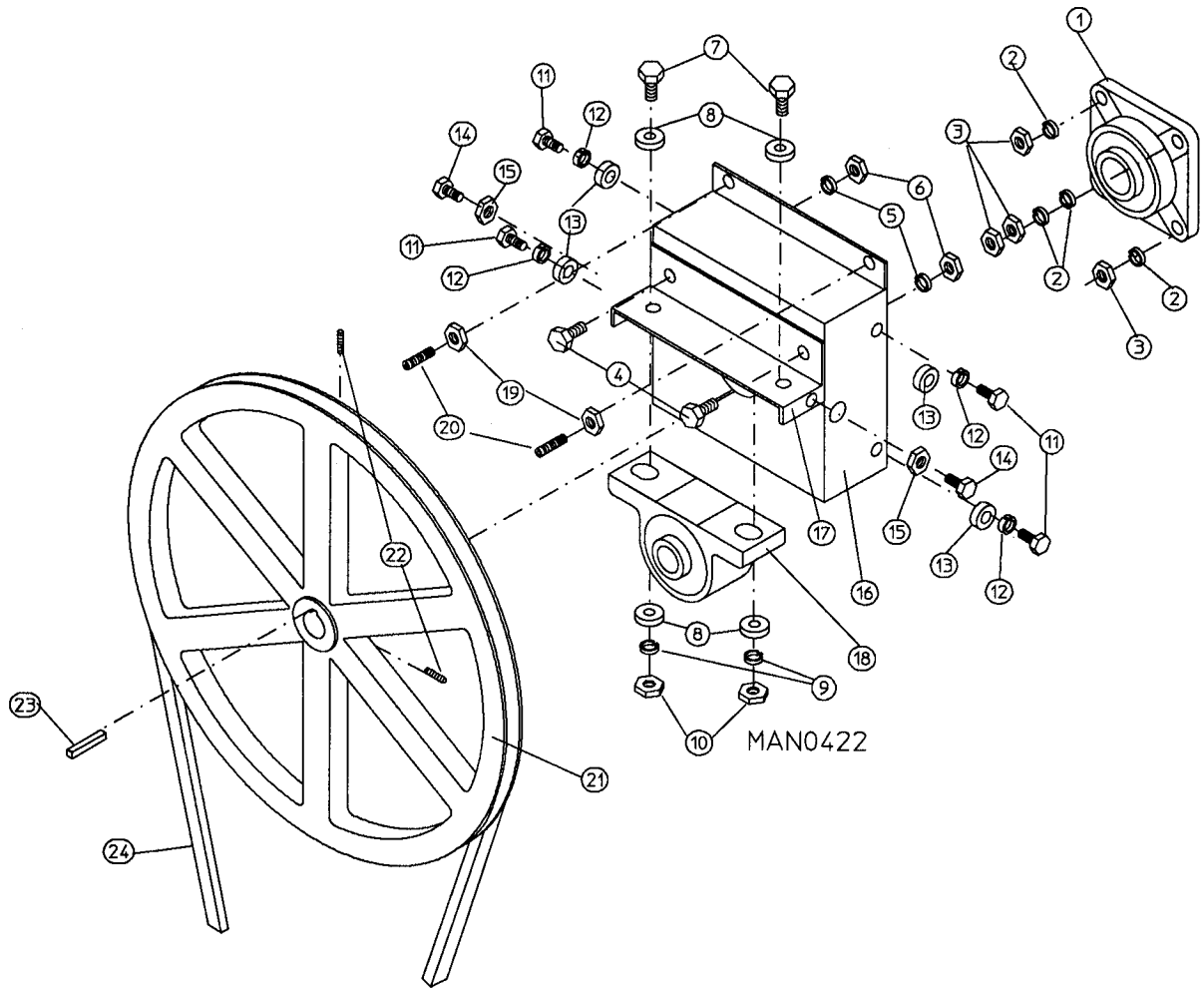


Illus. No.	Part No.	Qty.	Description
1	800824	1	AD - 24 Tumbler and Support Assembly Complete (includes illus. nos. 1 through 10)
	800711	1	AD - 24 Tumbler Only
2	150415	24	10-16 x 1/2" Phil. R. H. Crimptite Screw
3	301314	3	AD - 24 Tumbler Rib Only
4	150518	1	5/16-18 x 3/8" Socket Screw
5	100907	3	5/16-18 x 25" Tie Rod
6	153003	3	3/8 x 1-1/2" Fender Washer
7	800612	1	AD - 24 Tumbler Support Only
8	153001	3	5/16" Flat Washer
9	153002	3	5/16" Lock Washer
10	152004	3	5/16-18 Hex Nut

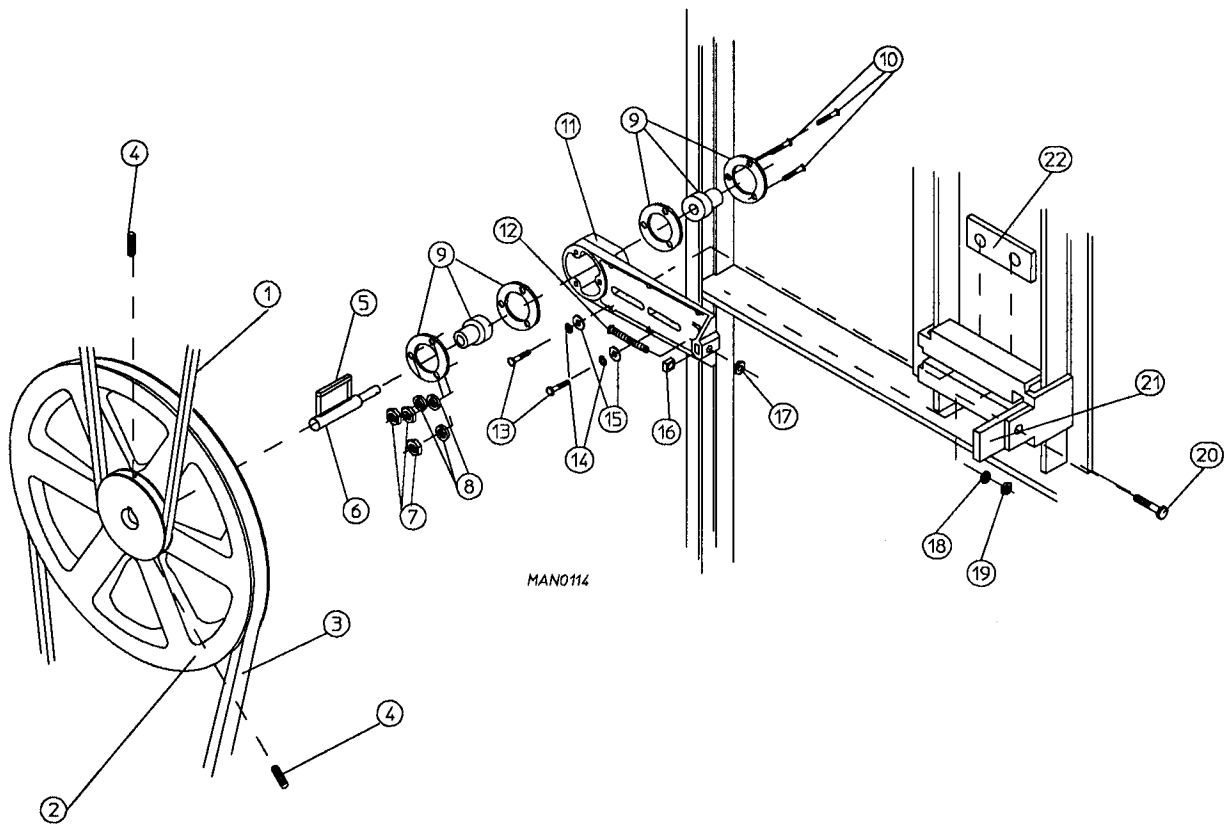
(Tapered Ribs)



Illus. No.	Part No.	Qty.	Description
1	800843	1	AD -24 Tumbler and Support Assembly Complete (includes illus. nos. 1 through 10)
	800716	1	AD - 24 Tumbler Only
2	150415	24	10-16 x 1/2" Phil. R. H. Crimptite Screw
3	301318	2	AD - 24 Tapered Rib Only (low rib)
	301317	1	AD - 24 Tapered Rib Only (high rib)
4	150518	1	5/16-18 x 3/8" Socket Screw
5	100907	3	5/16-18 x 25" Tie Rod
6	153003	3	3/8 x 1-1/2" Fender Washer
7	800612	1	AD - 24 Tumbler Support Only
8	153001	3	5/16" Flat Washer
9	153002	3	5/16" Lock Washer
10	152004	3	5/16-18 Hex Nut

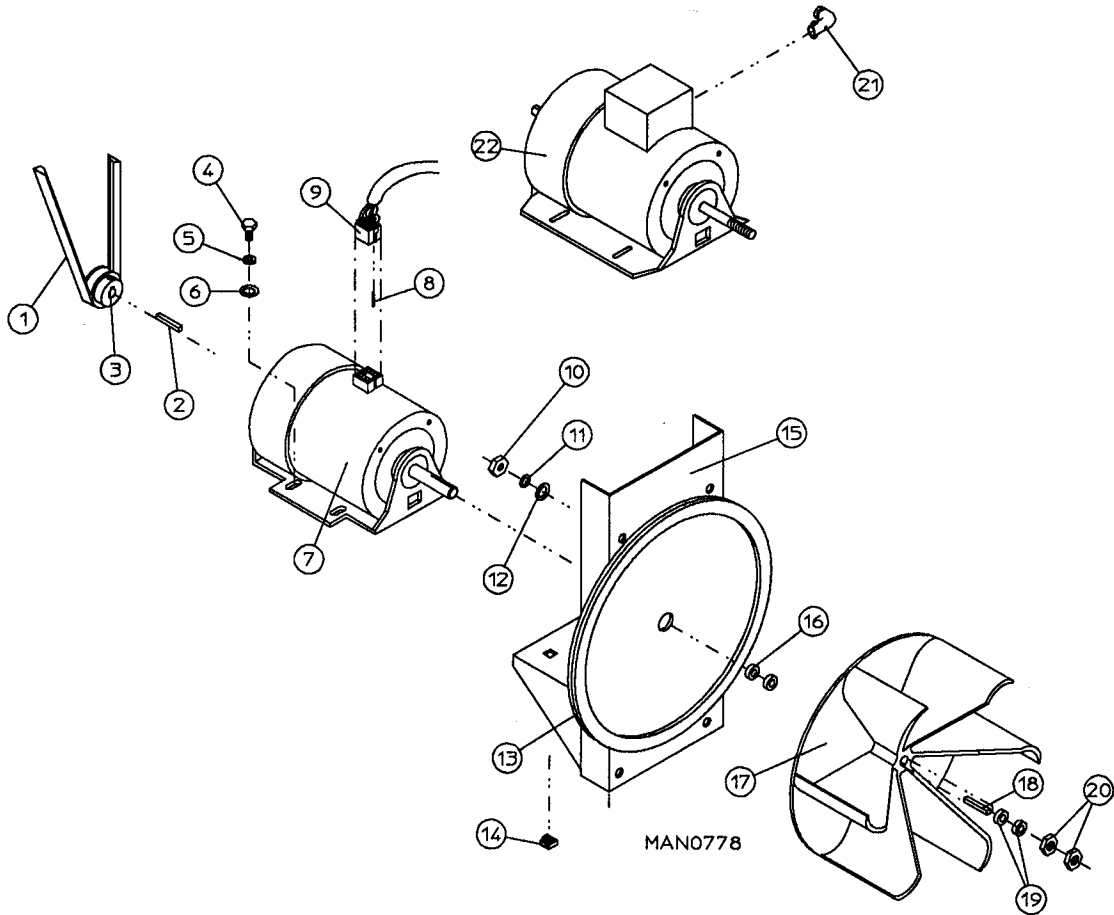


Illus. No.	Part No.	Qty.	Description
1	100203	1	1-3/8" Flange Bearing
2	153005	4	3/8" Lock Washer
3	152005	4	3/8-16 Hex Nut
4	150508	2	3/8-16 x 3/4" H. H. Machine Bolt
5	153005	2	3/8" Lock Washer
6	152005	2	3/8-16 Hex Nut
7	150600	2	3/8-16 x 1-1/2" H. H. Machine Bolt
8	153004	2 or 4	3/8" Flat Washer
9	153005	2	3/8" Lock Washer
10	152005	2	3/8-16 Hex Nut
11	150501	4	5/16-18 x 3/4" H. H. Machine Bolt
12	153002	4	5/16" Lock Washer
13	153001	4	5/16" Flat Washer
14	150621	2	5/16-18 x 1 1/2" H. H. Machine Bolt
15	152004	2	5/16-18 Hex Nut
16	801101	1	1-3/8" Bearing Box Assembly Complete (includes illus. nos. 4 through 16)
	801103	1	1-3/8" Bearing Box and Support Only (includes illus. nos. 4, 5, 6, 16, and 17)
	801105	1	1-3/8" Bearing Box Only
17	801104	1	Pillow Block Bearing Support Only
18	100202	1	1-3/8" Pillow Block Bearing Only
19	152005	2	3/8-16 Hex Nut
20	154303	2	3/8-16 x 1-1/4" Allen Set Screw
21	101100	1	18" Cast Pulley
22	154301	2	5/16-18 x 5/16" Allen Set Screw
23	100713	1	1/4" x 1/4" x 7/8" Key
24	100111	1	5L650 "V" Belt



MAN0114

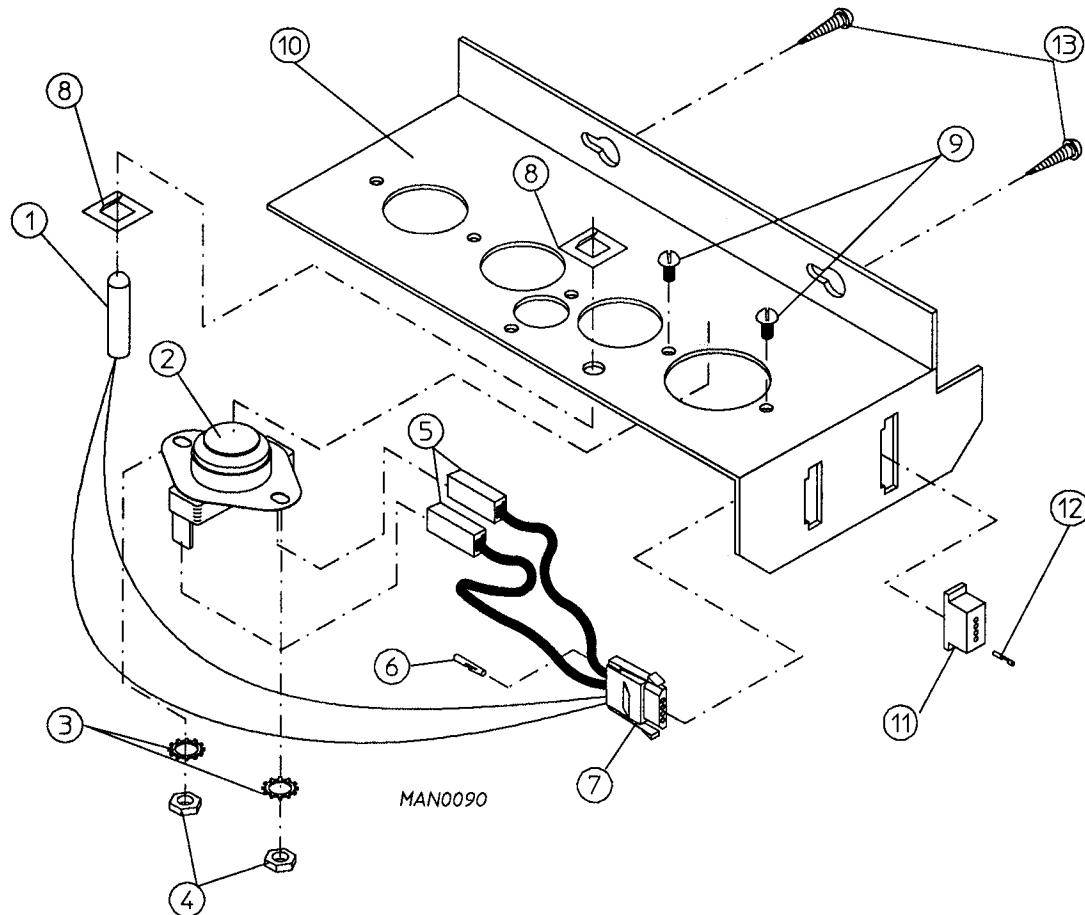
Illus. No.	Part No.	Qty.	Description
1	100111	1	5L650 "V" Belt (to tumbler assembly)
2	101129	1	9" x 2-1/2", 3/16" Key, Pulley
3	100105	1	4L520 "V" Belt (idler assembly to motor assembly)
4	154301	2	5/16-18 x 5/16" Allen Set Screw
5	100705	1	3/16" x 3/16"x1-3/8" Key
6	301850	1	5/8" x 3/4" Idler Shaft
7	152002	3	1/4-20 Hex Nut
8	153007	3	1/4" Lock Washer
9	100214	2	5/8" Idler Flange Bearing
10	150521	3	1/4-20 x 2" Carriage Bolt
11	801008	1	Idler Bearing Assembly Complete (includes illus. nos. 6 through 22)
	100406	1	Idler Bearing Mount Only
12	150509	1	5/16-18 x 3" H. H. Machine Bolt
13	150617	2	3/8-16 x 1" H. H. Machine Bolt
14	153005	2	3/8" Lock Washer
15	153004	2	3/8" Flat Washer
16	152020	1	5/16-18 Standard Square Nut
17	152004	1	5/16-18 Hex Nut
18	152005	1	3/8-16 Hex Nut
19	153005	1	3/8" Lock Washer
20	150617	1	3/8-16 x 1" H. H. Machine Bolt
21	301815	1	Idler Bracket Adjustment Plate
22	801009	1	Idler Square Washer



(60 Hz Models Only)

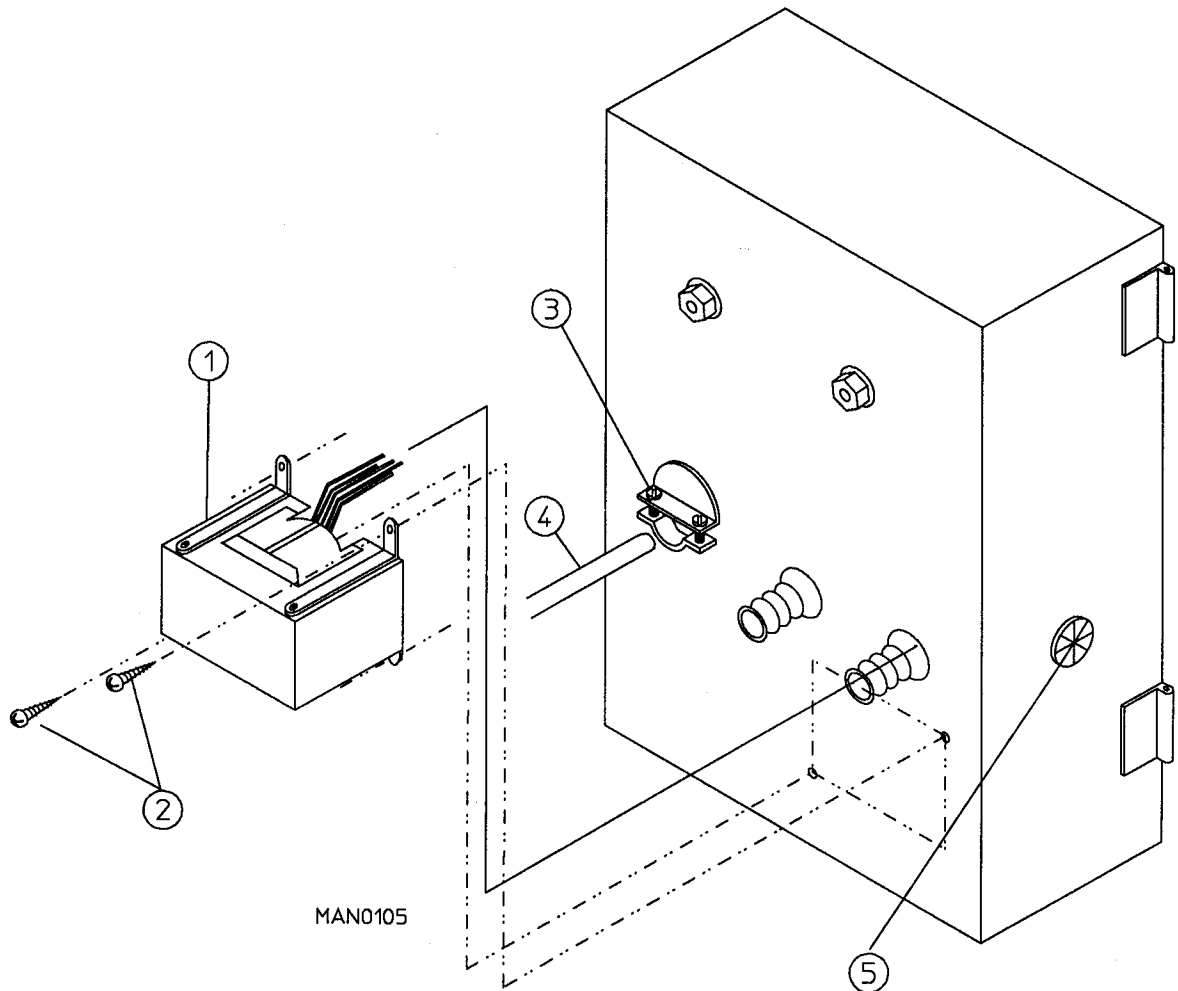
Illus. No.	Part No.	Qty.	Description
1	100105	1	4L520 "V" Belt (to idler assembly)
2	100701	1	3/16" x 3/16" x 1" Key (used on 3Ø models only)
3	101131	1	1/2" x 2 1/4" Motor Pulley (used on 1Ø motors only)
	101133	1	5/8" x 2 1/4" Motor Pulley (used on 3Ø motors only)
4	150501	4	5/16-18 x 3/4" Hex Head Machine Bolt
5	153002	4	5/16" Lock Washer
6	153001	4	5/16" Flat Washer
7	100065	1	1 /2 HP 100-230V 50/60 Hz 1Ø T. E. F. C. Motor (Plug Type)
8	122701	8	Socket Terminal Only
9	137030	1	8-Pin Housing Connector
10	152004	4	5/16-18 Hex Nut
11	153002	4	5/16" Lock Washer
12	153001	4	5/16" Flat Washer
13	117600	4	Noise Suppressor Tape (sold in feet)
14	154000	4	5/16-18 Tinnerman Nut
15	800909	1	1/2 HP Motor Mount Only (56Z frame)
	803871*	1	1/2 HP 115-230V 50 / 60 Hz 1Ø T. E. F. C. Motor Mount Assembly Complete with Plug Motor (includes illus. nos. 3 through 7 and 13 through 20)
	803917*	1	1/2 HP 115-230V 60 Hz 1Ø T. E. F. C. Motor Mount Assembly Complete (Non-Plug Type) (includes illus. nos. 3 through 6 and 13 through 22)
16	153050	2	1/2" S. A. E. Flat Washer
17	100604	1	12 1/2" Impellor with 1/2" Bore
18	100702	1	1/8" x 1/8" x 1-1/2" Key
19	153050	2	1/2" S. A. E. Flat Washer
20	152006	2	1/2-20 Left Hand Jam Nut
21	120200	1	3/8 x 90° Connector
22	100004	1	1/2 HP 115-230V 60 Hz 1Ø T. E. F. C. Motor (Non-Plug Type)

* Specify voltage when ordering.



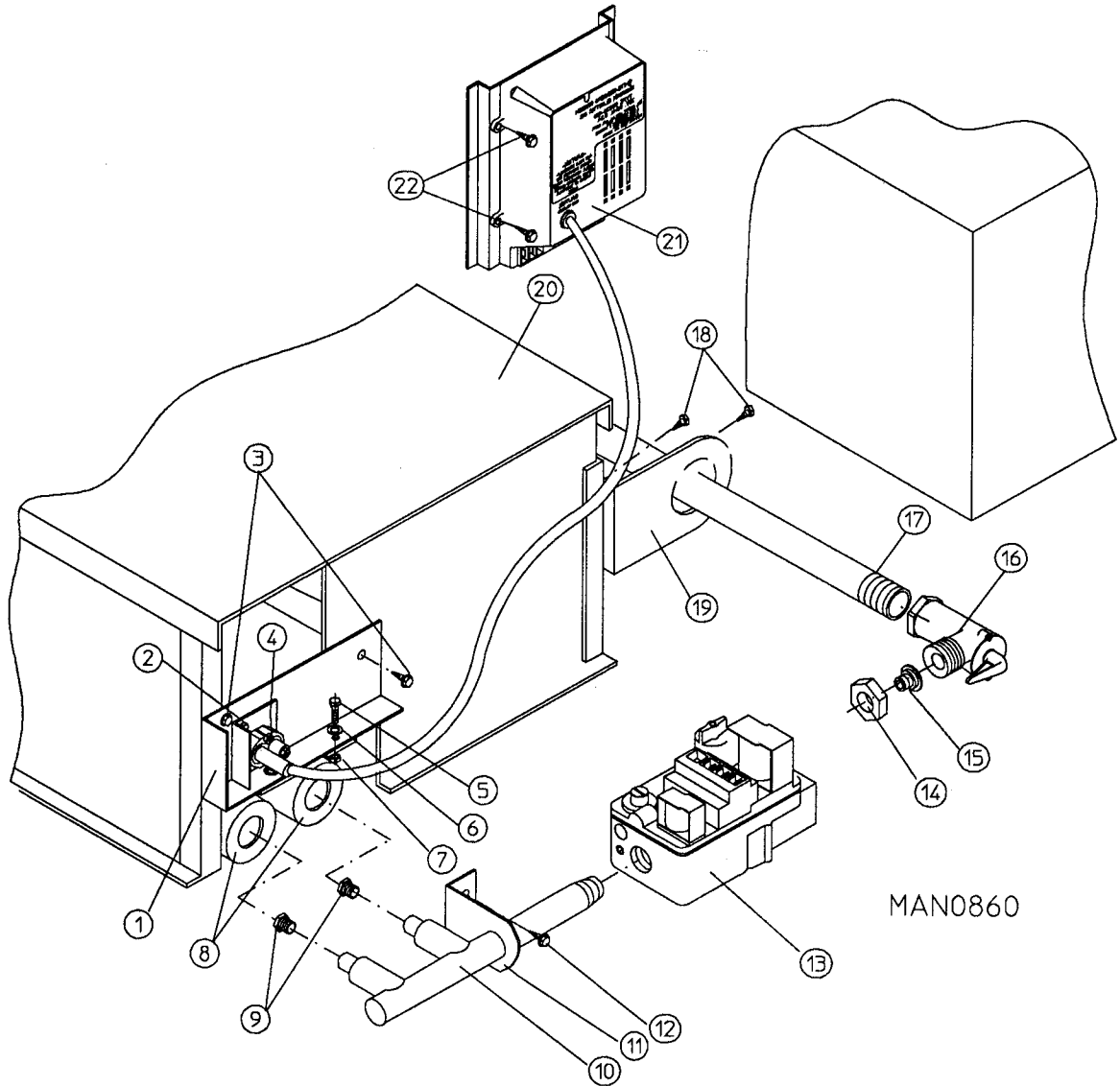
Illus. No.	Part No.	Qty.	Description
1	880251	1	1/4" Temperature Sensor Probe Assembly (includes illus. nos. 1, 5, 6, 7, and 8)
2	130103	1	225° Large Automatic Reset Thermostat
3	153010	2	#6 Star Washer
4	152000	2	6-32 Hex Nut
5	121028	2	Insulated Terminal Only
6	122701	4	Socket Terminal Only
7	122605	1	4-Pin Socket Connector Only
8	154007	2	1/4" Tinnerman Push-On Fastener
9	150000	2	6-32 x 1/4" R. H. Machine Screw
10	801425	1	Microprocessor Sensor Bracket Assembly Complete (includes illus. nos. 1 through 12)
	305007	1	Universal Sensor Bracket Only
11	122604	1	4-Pin Connector Only
12	122700	4	Pin Terminal Only
13	150301	2	8-18 x 7/16" Phil. P. H. Tek. Screw
	122801	1	Mate-N-Lock Extraction Tool

Glo Bar Models Only



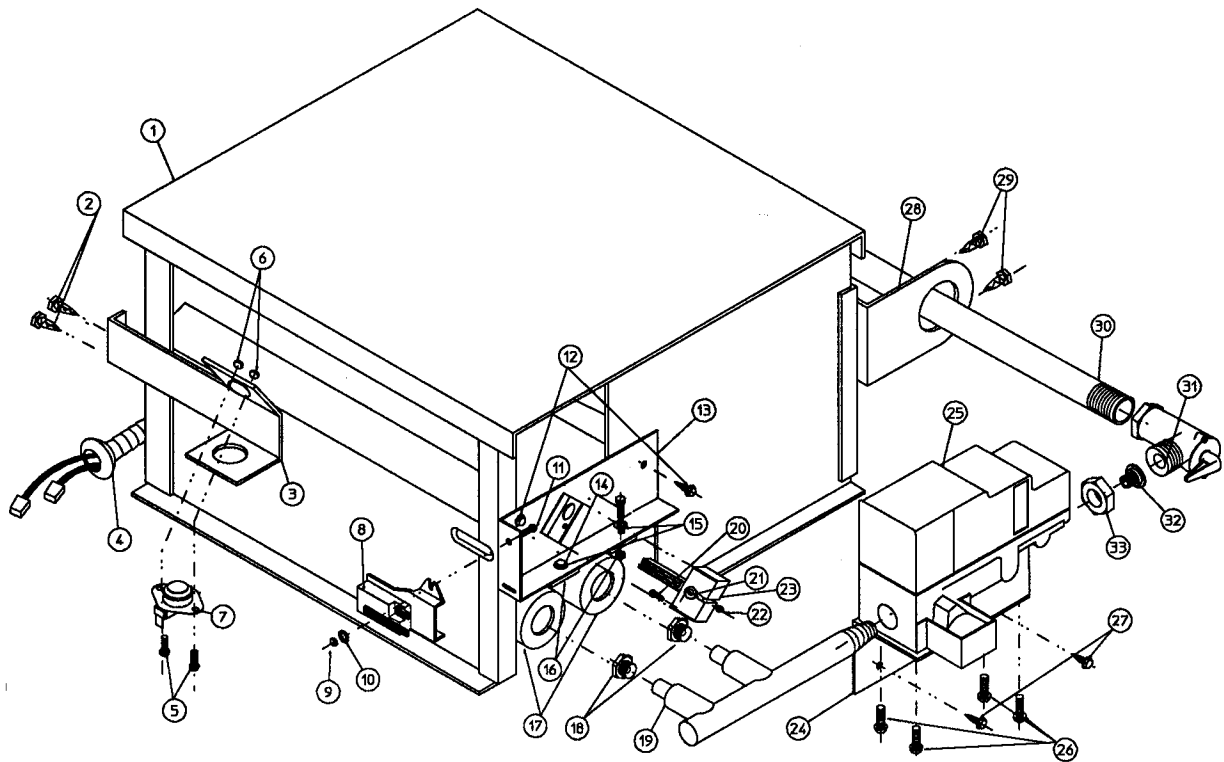
Illus. No.	Part No.	Qty.	Description
1*	132002	1	200 Watt Transformer 115V
	880210	1	Terminal Package for GB Transformer
2	150415	2	10-16 x 1/2" Phil. R. H. Crimptite Screw
3	120102	1	3/8" Straight Connector
4	133356	1	6'-7" Power Cord Only
5	121400	1	Universal Bushing

* Used on 208V / 230V models ONLY.



Illus. No.	Part No.	Qty.	Description
1	318030	1	DSI Burner Shield
2	150300	2	#10 x 1/2" S. D. Screw
3	150415	2	10-16 x 1/2" Phil. R. H. Crimptite Screw
4	128915	1	DSI Ignitor / Flame Probe Assembly (for models mfd. as of September 4, 1990)
	880134	1	Ignitor / Flame Probe Kit Assembly
	128925	1	DSI Ignitor / Flame Probe Assembly (for models mfd. prior to September 4, 1990)
5	150108	2	8-32 x 1/2" P. H. Machine Screw
6	153000	2	#8 Steel Burr
7	151001	2	8-32 Pal Nut
8	141104	2	Small Tube Burner
9	140815*	2	#37 Burner Orifice (natural gas) Only
	140800*	2	#52 Burner Orifice (liquid propane) Only
10	141230	1	1/2" Manifold (2-port)
11	318700	1	Pipe Bracket (bent)
12	150300	2	#10 x 1/2" S. D. Screw
13	128927	1	1/2" 24VAC Redundant (natural gas) Valve
	140411	1	DSI L. P. (gas valve) Conversion Kit
14	141325	1	Tail Piece Collar Only
15	141303	1	1/2" Union Tail Piece Only
16	141305	1	Union Shutoff Body Only
17	142809	1	1/2" x 29-1/8" Pipe
18	150415	4	10-16 x 1/2" Phil. R. H. Crimptite Screw
19	318700	2	Pipe Bracket (Bent)
20	809635	1	ADG - 24 DSI (natural gas) Burner Assembly (less orifices) Complete (includes illus. nos. 1 through 8 and 10 through 20)
	809644	1	ADG - 24 DSI (liquid propane) Burner Assembly (less orifices) Complete (includes illus. nos. 1 through 8 and 10 through 20)
	850850	1	AD - 24 Burner Box Only
21	128926	1	DSI Module Only (50/60 Hz)
22	150299	4	#10 x 1" S. D. Screws
	874058*	1	ADG - 24 DSI (liquid propane) Conversion Kit
	410001	1	1/2" Allen Wrench

* Consult factory for elevations over 2,000 feet.

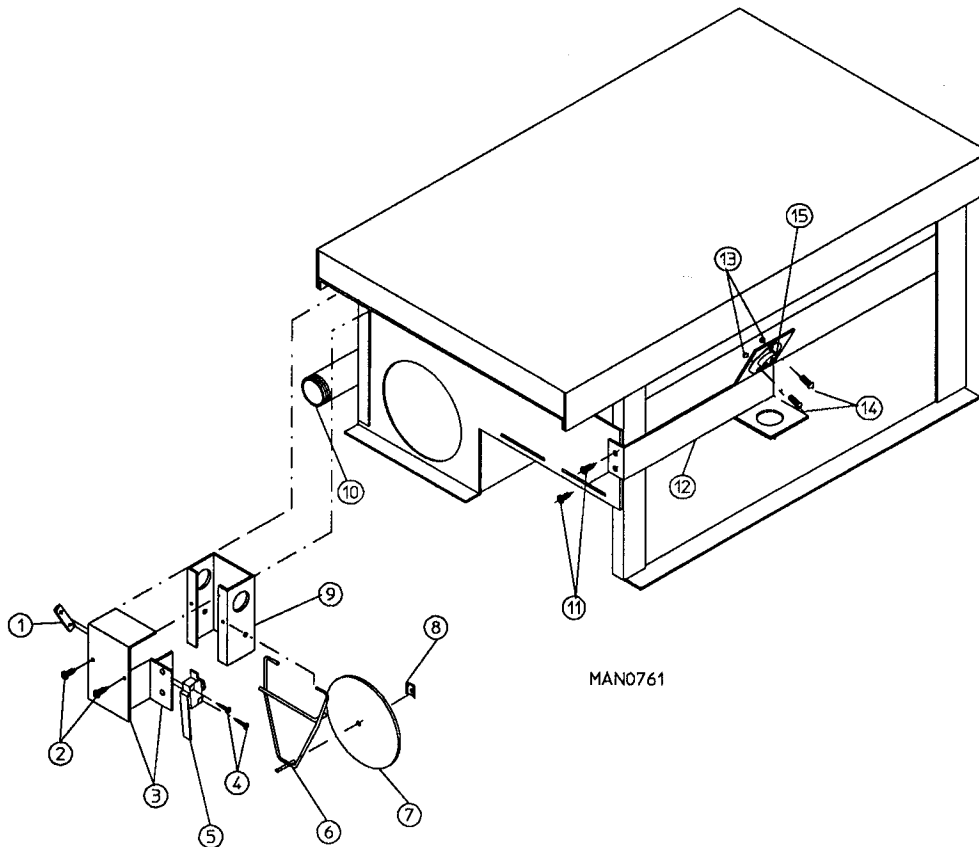


MAN0099

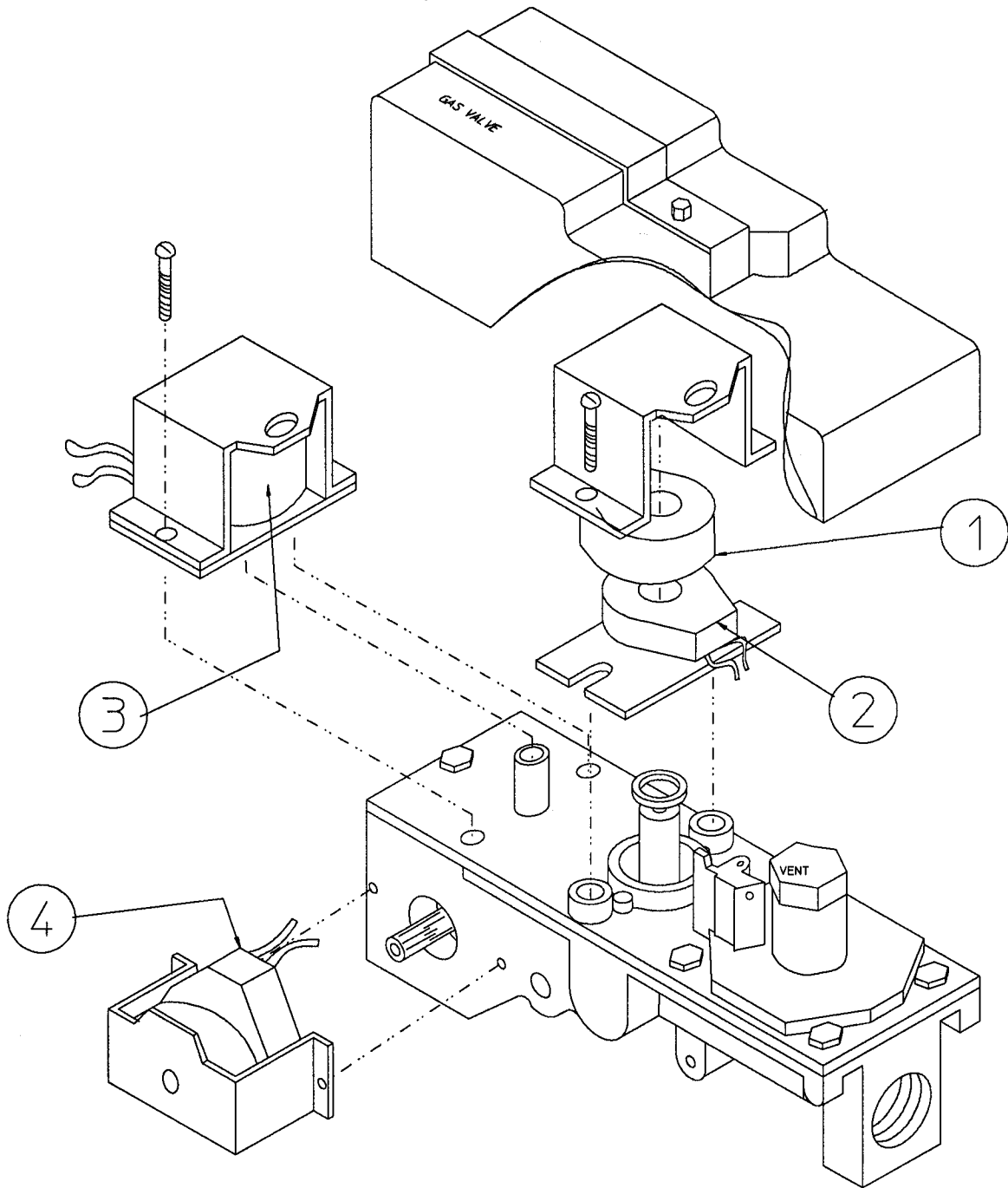
Illus. No.	Part No.	Qty.	Description
1	809618	1	AD - 24 Hi /Lo (natural gas) Burner Assembly (less orifices) Complete (includes illus. nos. 1 through 17 and 19 through 33)
	809617	1	AD - 24 Hi /Lo (liquid propane) Burner Assembly (less orifices) Complete (includes illus. nos. 1 through 17 and 19 through 33)
	804003	1	AD - 24 Burner Box Only
2	150415	2	10-16 x 1/2" Phil. R. H. Crimptite Screw
3	319704	1	Hi - Limit Mounting Bracket Only
4	830116	1	AD - 24 Hi - Limit Harness
5	150001	2	6-32 x 1/2" R. H. Machine Screw
6	151000	2	6-32 Pal Nut
7	130401	1	330° Hi - Limit
8	130500	1	IR Sensor
9	152001	1	8-32 Hex Nut
10	153012	1	#8 Star Washer

Illus. No.	Part No.	Qty.	Description
11	150108	1	8-32 x 1/2" P. H. Machine Screw
12	150415	2	10-16 x 1/2" Phil. R. H. Crimptite Screw
13	802705	1	IR / Glo-Bar Mounting Bracket Only
14	150108	2	8-32 x 1/2" P. H. Machine Screw
15	153000	2	#8 Steel Burr
16	151001	2	8-32 Pal Nut
17	141104	2	Small Tube Burner
18	140819*	2	#30 Burner Orifice (natural gas) Only
	140800*	2	#52 Burner Orifice (liquid propane) Only
19	141206	1	3/8" Swage Manifold Only
20	150002	1	6-32 x 1" R. H. Machine Screw
21	153017	1	#6 Steel Burr
22	151000	1	6-32 Pal Nut
23	128910	1	Glo - Bar
24	319501	1	3/8" Valve Mounting Bracket Only
25	140009	1	3/8" Hi /Lo (natural) Gas Valve
	800038	1	3/8" Hi /Lo (liquid propane) Gas Valve
26	150301	3	8-18 x 7/16" Phil. P. H. Tek. Screw
27	150415	2	10-16 x 1/2" Phil. R. H. Crimptite Screw
28	318700	2	Pipe Bracket Only
29	150415	4	10-16 x 1/2" Phil. R. H. Crimptite Screw
30	142809	1	1/2" x 29-1/8" Pipe
31	141305	1	Union Shutoff Body Only
32	141304	1	Union Tail Piece Only
33	141325	1	Tail Piece Collar Only
	874011	1	ADG - 24 GB / HR Hi /Lo (liquid propane) Conversion Kit (includes orifices)
	410000	1	3/8" Allen Wrench

* Consult factory for elevations over 2,000 feet.

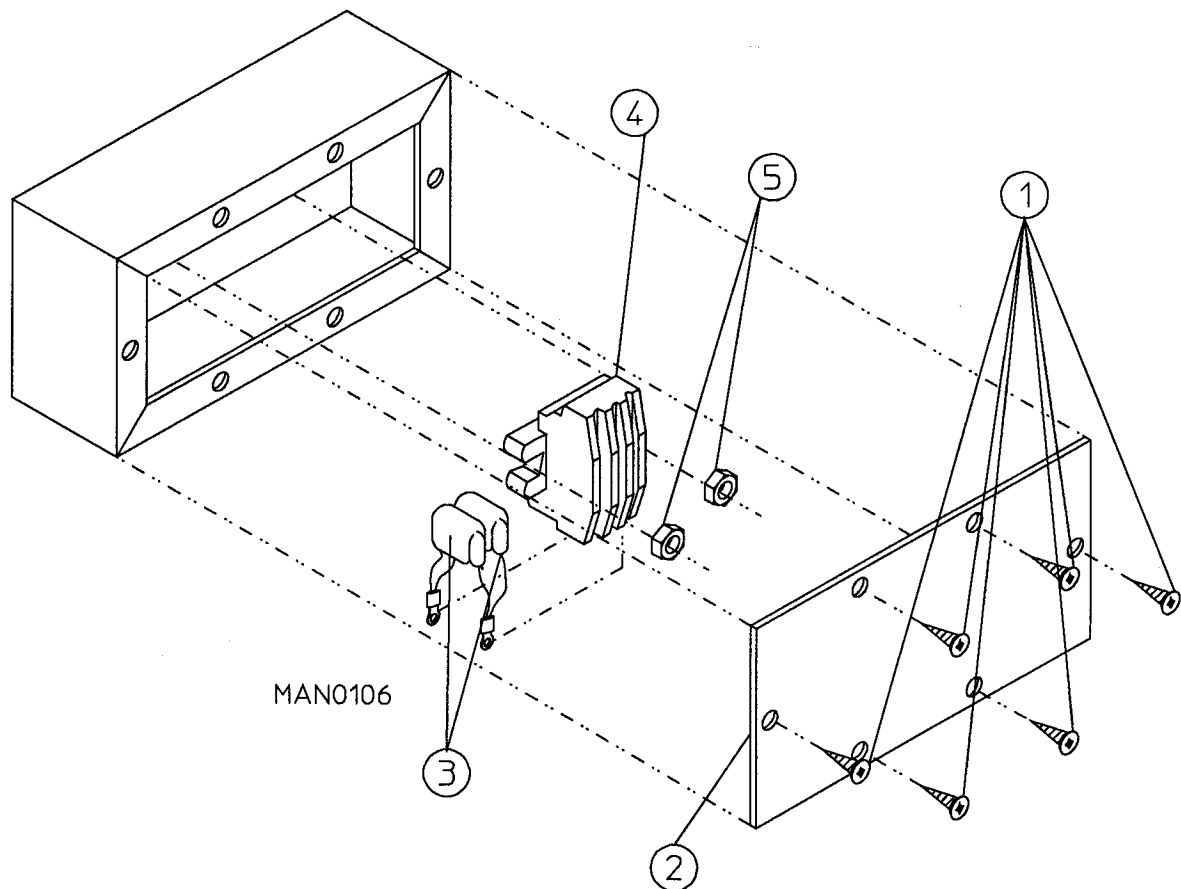


Illus. No.	Part No.	Qty.	Description
1	154004	1	Twin Speed Nut
2	150415	2	#10-16x1/2" Philips Right Hand Crimptite Screw
3	802799	1	Sail Switch Box Cover and Bracket Only
4	150303	2	#4x3/4" Pan Head "A" Machine Screw
5	122200	1	Sail Switch
6	105500	1	Sail Switch Actuator Rod
7	319202	1	Sail Switch Damper (flat)
8	154002	1	1/8" Push - On Fastener
9	802800	1	Sail Switch Box with Cover and Bracket Only
	802801	1	Sail Switch Box Assembly Complete (includes illus. nos. 1 through 9)
10	142809	1	1/2"x29-1/8" Pipe
11	150415	2	#10-16x1/2" Right Hand Machine Screw
12	319704	1	Hi - Limit Mounting Bracket Only
13	151000	2	#6-32 Pal Nut
14	151001	2	#6-32x1/2" Right Hand Machine Screw
15	130401	1	330° Hi - Limit

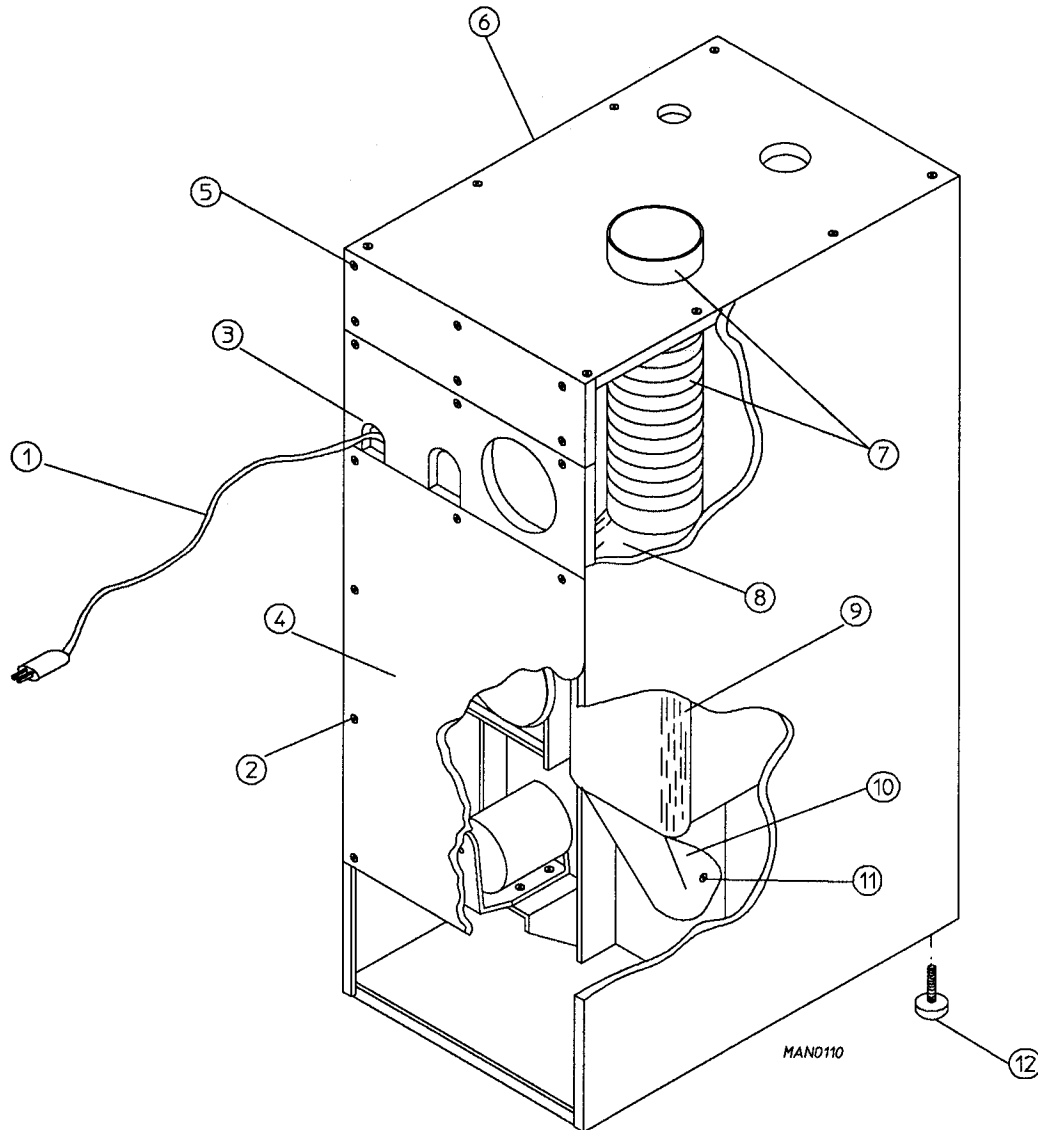


MAN0096

Illus. No.	Part No.	Qty.	Description
1	140116	1	Holding Coil
2	140115	1	Booster Coil
3	140117	1	Secondary Coil
4	140118	1	Hi /Lo Coil



Illus. No.	Part No.	Qty.	Description
1	150415	6	10-16x1/2" Phil. R. H. Crimptite Screw
2	311913	1	Service Box Cover Plate
3	880662	1	Dual RC Suppressers Only
4	132400	1	Impellor Contactor (Furnas)
	132425	1	Impellor Contactor (Telemecanique)
5	151001	2	8-32 Pal Nut



Illus. No.	Part No.	Qty.	Description
1	133356	1	6'-7" Power Cord Only
2	150301	9	8-18x7/16" Phil. P. H. Tek. Screw
3	330627	1	AD - 24 Center Back Guard
4	330626	1	AD - 24 Back Guard
5	150415	17	10-16x1/2" Phil. R. H. Crimptite Screw
6	312526	1	AD - 24 Outer Top Guard
7	143519	1	6"x4' Flexible Exhaust Duct
8	804023	1	Transition Duct with 6" Damper
9	143540	1	7" Oval-18-1/2" Long Duct
10	143515	1	6" Round-7" Oval-90° Boot
11	150415	2	10-16x1/2" Phil. R. H. Crimptite Screw
12	103500	4	Adjustable Leveling Leg
	117505	4	Aluminum Duct Tape (sold in feet)

Part No.	Description
112027	"Water Washed Fabrics" Label
112039	"Black / White / Green Ground" Label
112040	"Lint Compartment" Label
112041	"Caution Exhausted" Label
112530	"Program Location Summary" Coin Label
117505	Aluminum Duct Tape (sold in feet)
120100	3/8" Straight (BX) Connector
120200	3/8" - 90° (BX) Connector
120300	3/8" - 45° (BX) Connector
120400	3/8" Red Jacket (BX Insulator)
120500	3/8" Jiffy Clip (BX retainer clip)
120600	3/8" Green Field (BX)
120800	1/4" In - Line Connector
120802	Red Butt Connector
120902	#748 Wire Nut
120903	Crimp - On Wire Nut
121014	1/4" Insulated (female) Terminal
121026	Tab Receptacle Combination
121499	Harness Tie (4")
121500	Harness Tie (7")
121503	Harness Tie Mounting Clip
122800	Microprocessor (female) Pin Extraction Tool
122801	Pin / Socket Extraction Tool
122804	Manometer (water column test gauge)
137150	Solid State Relay Board (115V application Only)
150421	Tamper proof Screw Hand Driver
170725	Glass (and gasket) Adhesive (2.8 oz. tube)
410000	3/8" Allen Wrench (for 3/8" Hi/Lo valve tail piece)
410001	1/2" Allen Wrench (for 1/2" DSI valve tail piece)
874011	ADG - 24 GB / HR Hi /Lo (liquid propane) Conversion Kit (includes orifices)
874058	ADG-24D DSI (liquid propane) Conversion Kit
880200	Electrical Terminal (assortment) Kit
880210	Terminal Package for GB Transformer

NOTE: Coin acceptors listed include optical switch (P /N 137056)

Single Coin

<u>ADC P/N</u>	<u>Description</u>
125100	25 cent Optic Coin Acceptor (United States and Canada ONLY)
125127	1.00 Canadian Optic Coin Acceptor (Canada ONLY)
125101	10 New Pence Optic Coin Acceptor (United Kingdom ONLY)
125114	20 New Pence Optic Coin Acceptor (United Kingdom ONLY)
125115	1 Pound English Optic Coin Acceptor (United Kingdom ONLY)
125102	5 Belgian Franc Optic Coin Acceptor (Belgium ONLY)
125106	1 French Franc Optic Coin Acceptor (France ONLY)
125120	2 French Franc Optic Coin Acceptor (France ONLY)
125124	5 French Franc Optic Coin Acceptor (France ONLY)
125109	1 Danish Krona Optic Coin Acceptor (Denmark ONLY)
125125	25 Guilder Optic Coin Acceptor (Netherlands ONLY)
125108	.10 Australian Optic Coin Acceptor (Australia ONLY)
125107	.20 Australian Optic Coin Acceptor (Australia ONLY)
125130	1.00 Australian Optic Coin Acceptor (Australia ONLY)
125123	.50 New Zealand Optic Coin Acceptor (New Zealand ONLY)
125104	100 Yen Optic Coin Acceptor (Japan ONLY)
125103	.822 Token Optic Coin Acceptor
125121	.800 Token Optic Coin Acceptor
125129	Muller Token Optic Coin Acceptor
125132	.50 Singapore Optic Coin Acceptor
125133	1.00 Hong Kong Optic Coin Acceptor

Dual Coin

125116	10 / 25 cent Dual Optic Coin Acceptor (United States and Canada ONLY)
125128	.25 / 1.00 Dual Optic Coin Acceptor (Canada ONLY)
125112	10 / 20 Pence Dual Optic Coin Acceptor (United Kingdom ONLY)
125110	10 / 50 Pence Dual Optic Coin Acceptor (United Kingdom ONLY)
125111	20 / 50 Pence Dual Optic Coin Acceptor (United Kingdom ONLY)
125113	1 Pound / 20 Pence Dual Optic Coin Acceptor (United Kingdom ONLY)
125119	5 / 20 Belgian Franc Dual Optic Coin Acceptor (Belgium Only)
125122	2 / 5 French Franc Dual Optic Coin Acceptor (France Only)
125117	1 / 5 Danish Krona Dual Optic Coin Acceptor (Denmark ONLY)
125126	25 / 1 Guilder Dual Optic Coin Acceptor (Netherlands ONLY)
125118	.20 / .50 Singapore Dual Optic Coin Acceptor (Singapore ONLY)
125105	50 / 100 Yen Dual Optic Coin Acceptor (Japan ONLY)

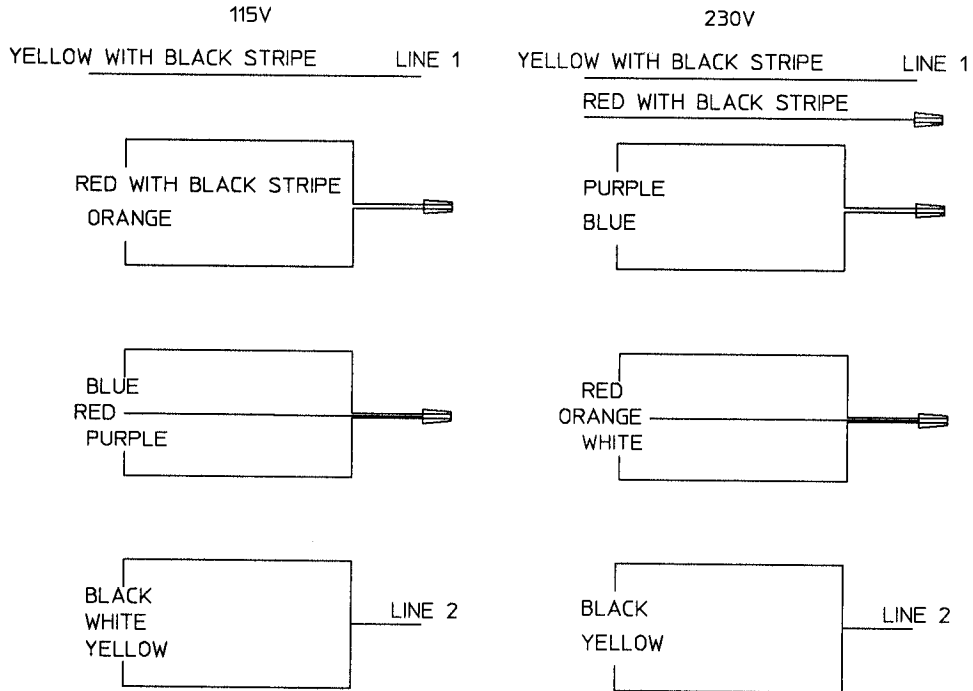
* Consult factory for coin acceptors not listed.

A wiring diagram is located on the back side of the control (service) door of each ADC dryer. Due to the various electrical options of the model AD - 24 dryer, the wiring diagrams on the following pages may not necessarily depict your specific dryer. The various wiring diagrams are identified by the number in the upper right - hand corner.

T. E. F. C. Motor Wiring.....	45
3 Phase (3Ø) Motor Wiring.....	46
Direct Spark Ignition Transformer Wiring.....	47
Glo - Bar Ignition Transformer Wiring.....	48
Phase 4 Coin Controller Circuits.....	49
Phase 4.1 Coin Controller Circuits.....	50
Phase 3 O. P. L. Controller Circuits.....	51
Phase 4 O. P. L. Controller Circuits.....	52

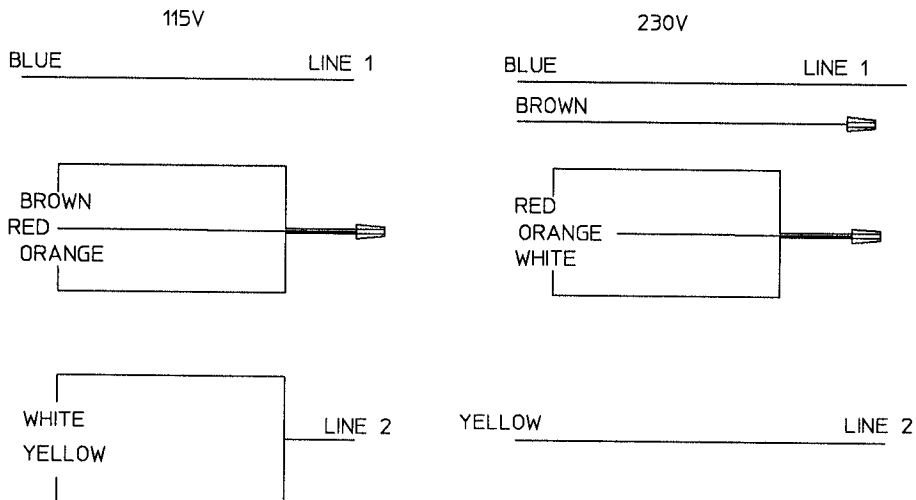
The motor used in an ADC dryer is a dual voltage motor. When replacing a motor in the field, the replacement motor could have been pre-wired by the factory for operation at either 115 volts or 230 volts. Check the internal wiring of the motor to assure that the motor is wired internally for correct voltage application.

IMPORTANT: Motor failure due to incorrect voltage application will void your warranty.



CENTURY

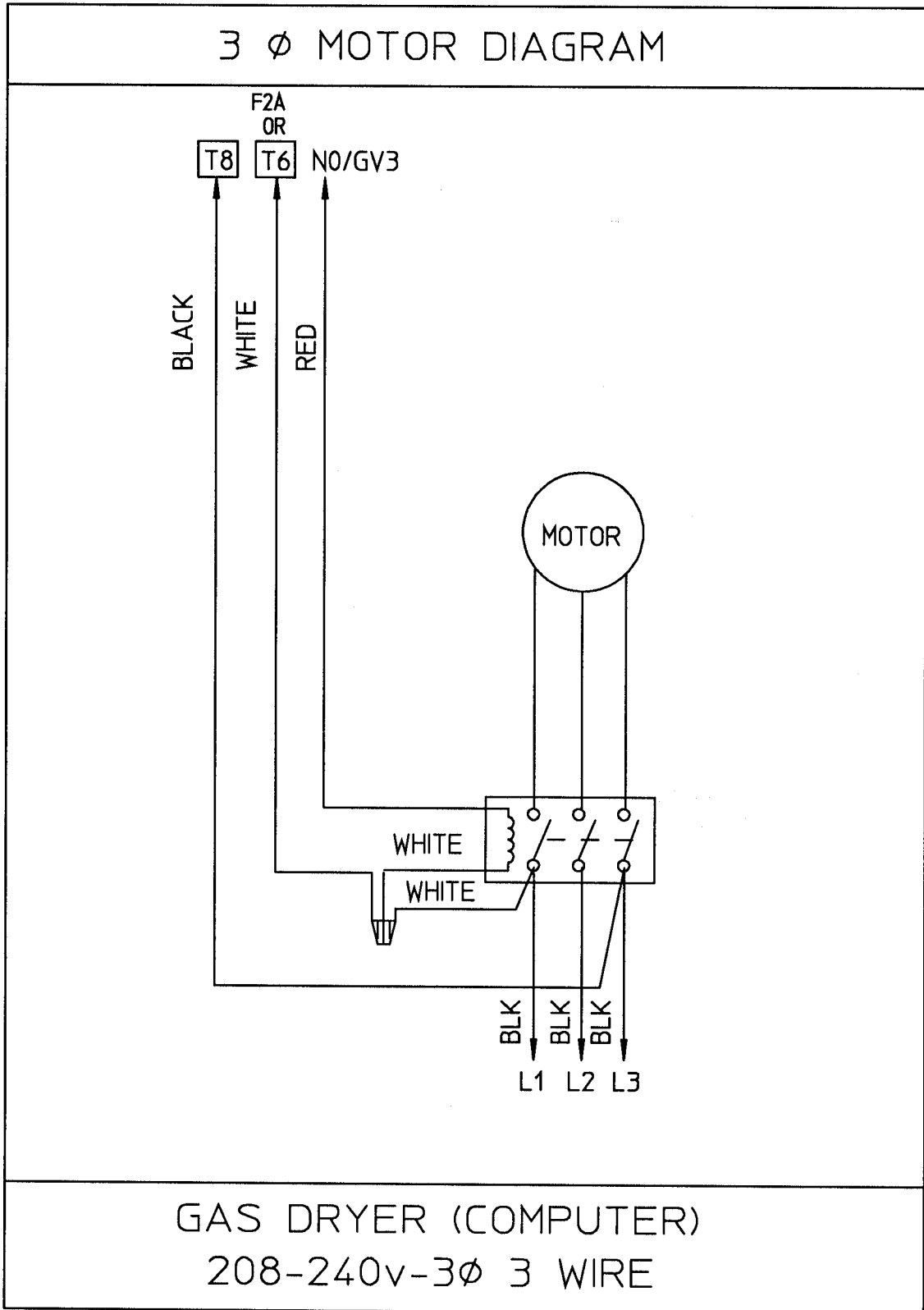
TYPE, 8-173337-01
P/N 100004



EMERSON

TYPE, SA630XJHP-7278
P/N 100004

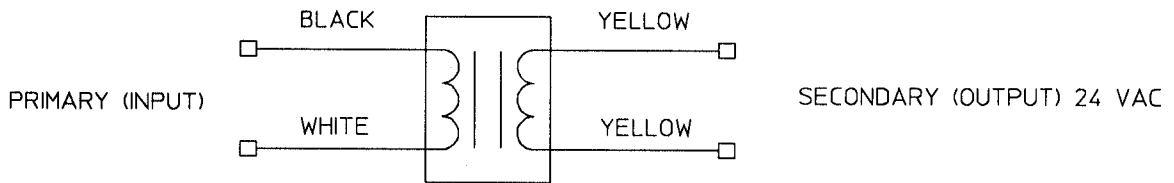
MAN0080



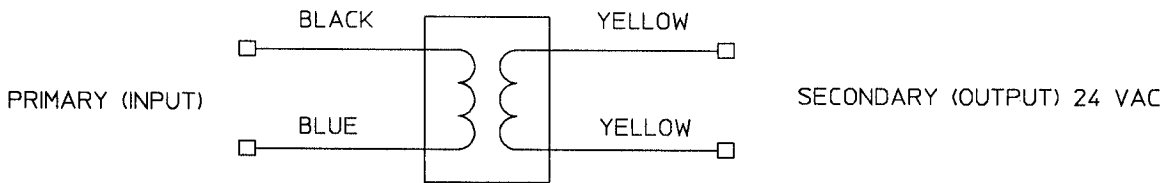
MAN0081

DSI TRANSFORMER WIRING

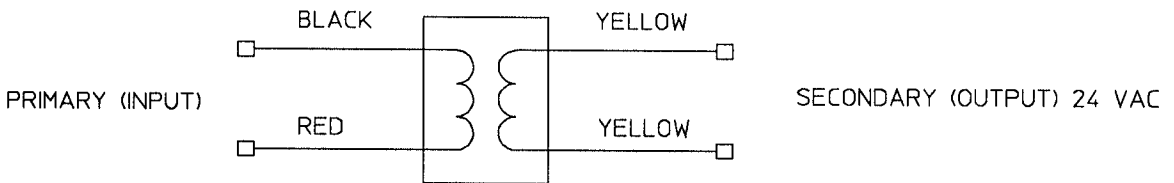
115 VAC CONTROLS



208 VAC CONTROLS



230 VAC CONTROLS



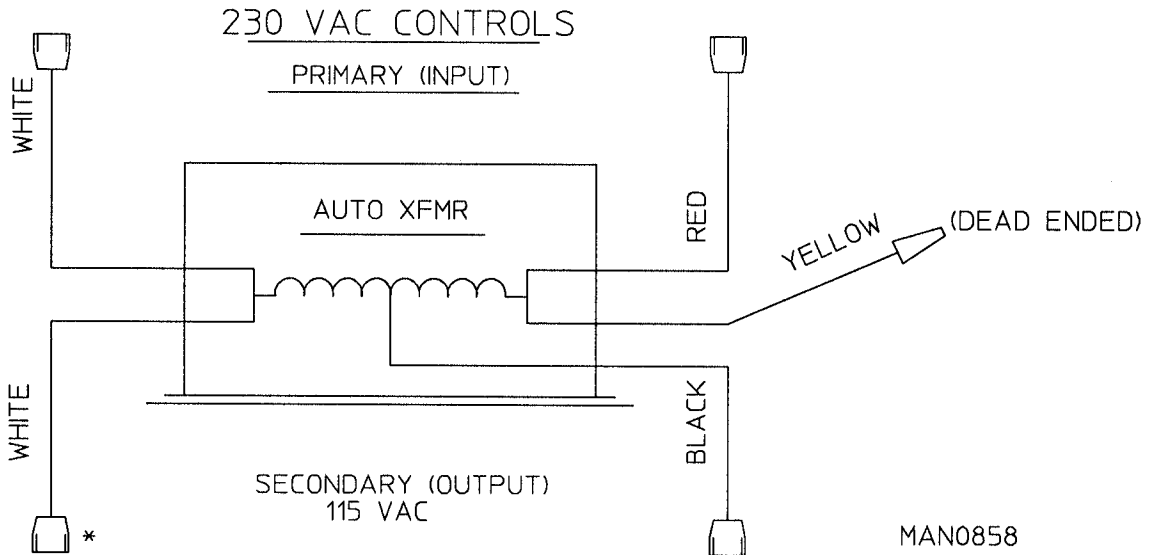
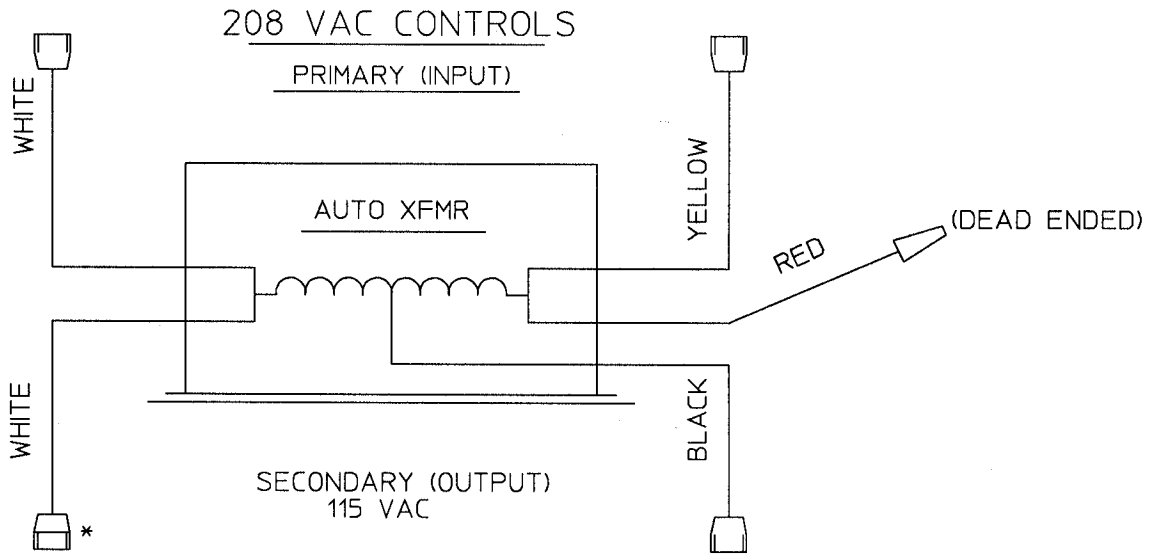
NOTES: TERMINALS (WIRES) NOT USED MUST BE CAPPED OFF.

MAN0255

IGNITION CIRCUIT TRANSFORMER WIRING

200 WATT TRANSFORMER

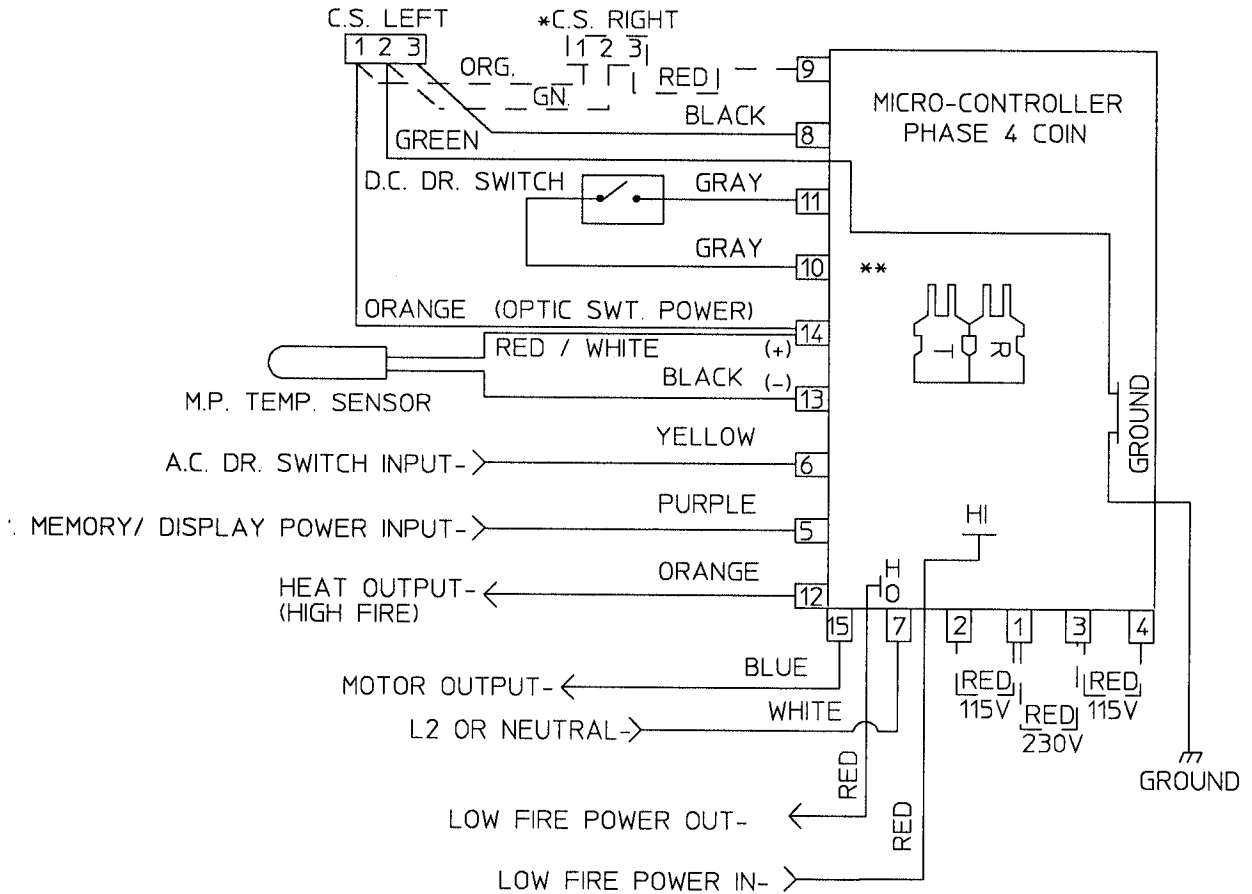
ADC P/N 132002



MAN0858

* LEAD NOT USED ON COMPUTER HI/LO MODELS

PHASE 4 COIN CONTROLLER CIRCUITS

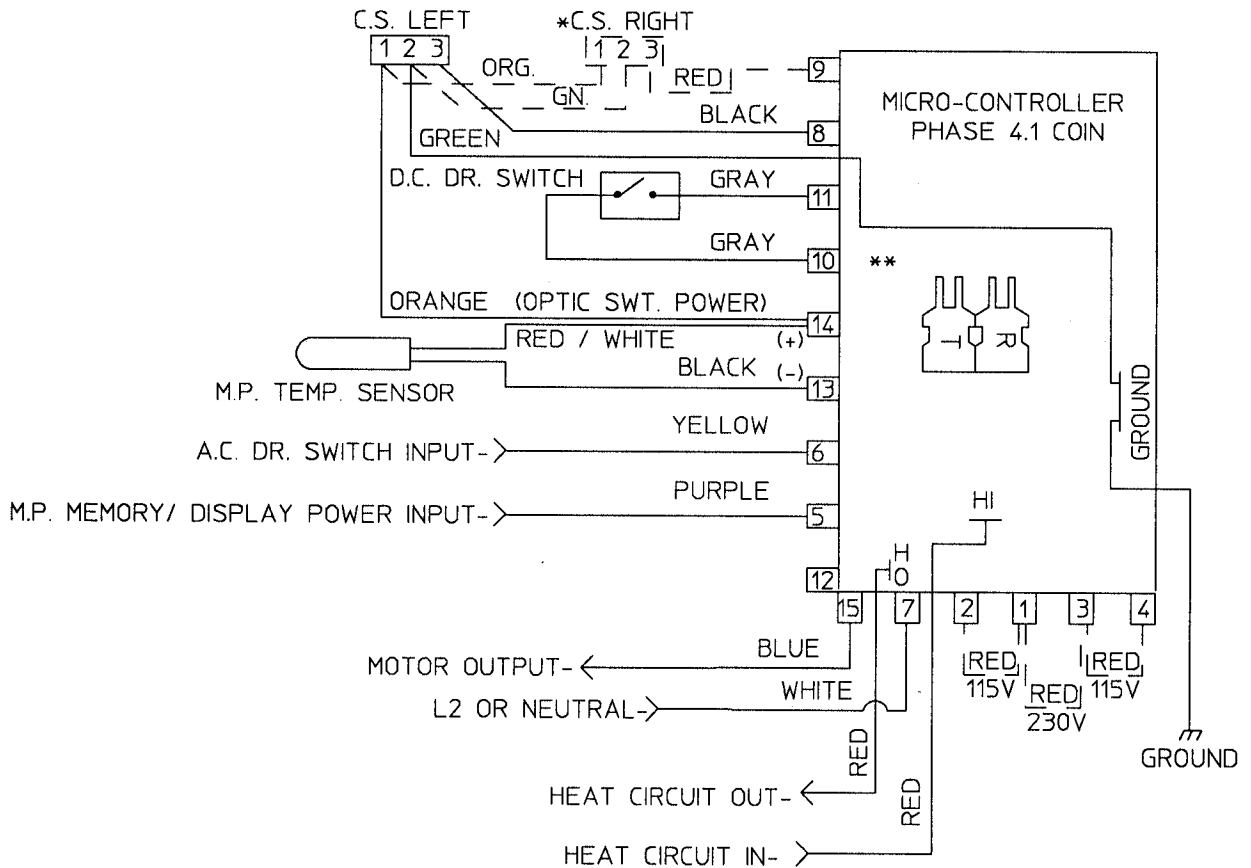


* DUAL COIN MODELS ONLY

MAN0087

** TRANSMITTER -RECEIVER FIBER OPTIC CONNECTORS

PHASE 4.1 COIN CONTROLLER CIRCUITS

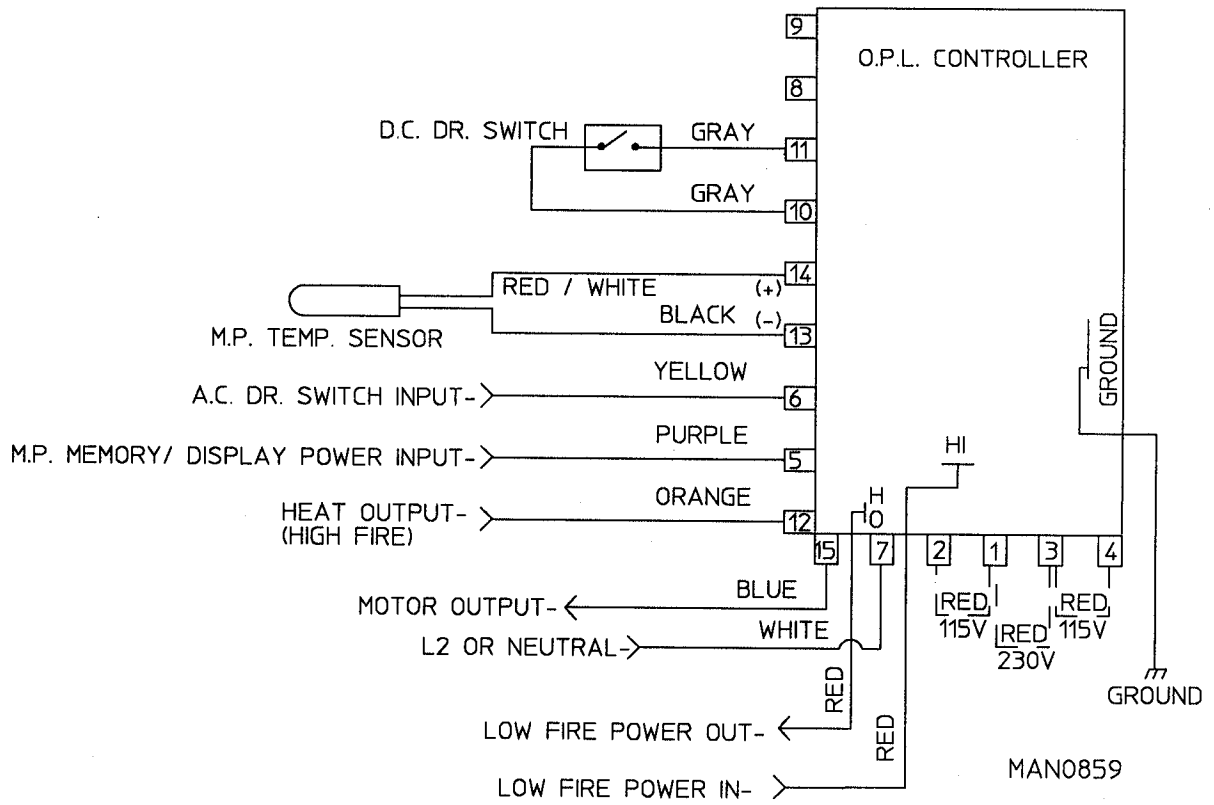


* DUAL COIN MODELS ONLY

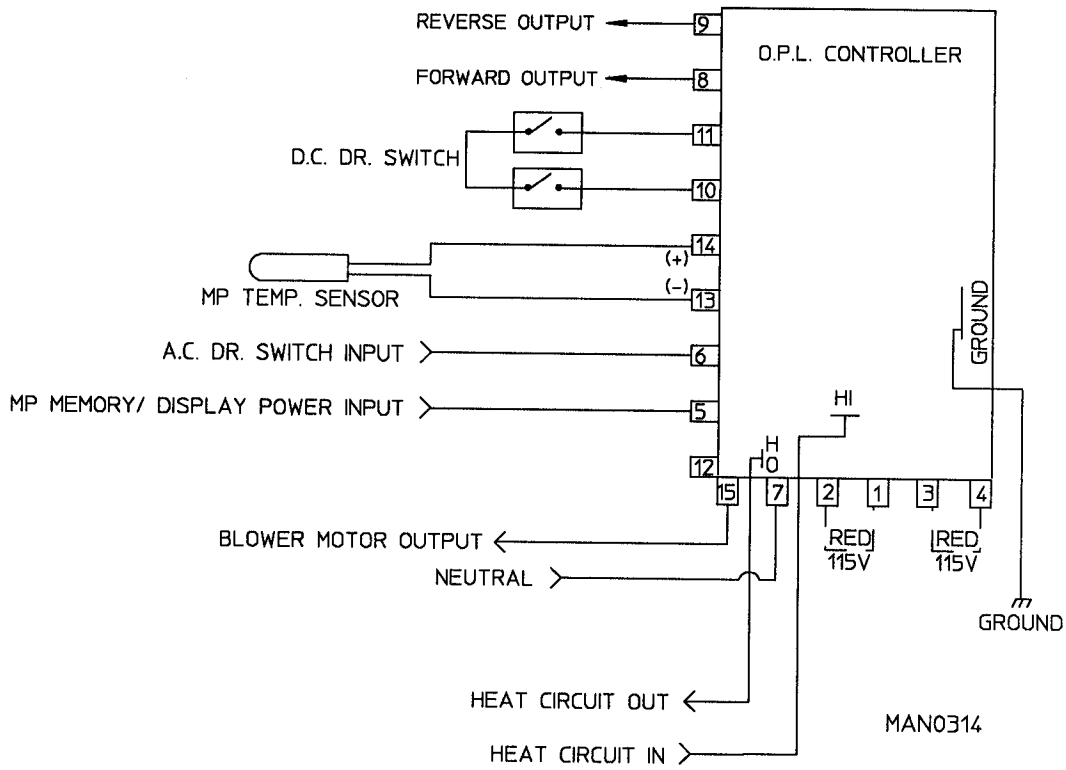
MAN0790

** TRANSMITTER -RECEIVER FIBER OPTIC CONNECTORS

Phase 3
OPL CONTROLLER CIRCUITS



PHASE 4 O.P.L. MICROPROCESSOR CONTROLLER CIRCUITS



ADC 450086 1-06/91-100 2-05/05/92-50 3-05/15/92-100

