



AD-120ES Parts Manual

24 VAC Phase 5

1995-2001

American Dryer Corporation
88 Currant Road
Fall River, MA 02720-4781
Telephone: (508) 678-9000 / Fax: (508) 678-9447
e-mail: techsupport@amdry.com

www.amdry.com

Retain This Manual In A Safe Place For Future Reference

American Dryer Corporation products embody advanced concepts in engineering, design, and safety. If this product is properly maintained, it will provide many years of safe, efficient, and trouble-free operation.

ONLY qualified technicians should service this equipment.

OBSERVE ALL SAFETY PRECAUTIONS displayed on the equipment or specified in the installation manual included with the dryer.

The following “**FOR YOUR SAFETY**” caution **must be** posted near the dryer in a prominent location.

FOR YOUR SAFETY

Do not store or use gasoline or other flammable vapors and liquids in the vicinity of this or any other appliance.

POUR VOTRE SÉCURITÉ

Ne pas entreposer ni utiliser d'essence ni d'autres vapeurs ou liquides inflammables à proximité de cet appareil ou de tout autre appareil.

We have tried to make this manual as complete as possible and hope you will find it useful. **ADC** reserves the right to make changes from time to time, without notice or obligation, in prices, specifications, colors, and material, and to change or discontinue models.

Important

For your convenience, log the following information:

DATE OF PURCHASE _____ **MODEL NO.** AD-120ES

RESELLER'S NAME _____

Serial Number(s) _____

Replacement parts can be obtained from your reseller or the **ADC** factory. When ordering replacement parts from the factory, you can FAX your order to **ADC** at (508) 678-9447 or telephone your order directly to the **ADC** Parts Department at (508) 678-9000. Please specify the dryer **model number** and **serial number** in addition to the **description** and **part number**, so that your order is processed accurately and promptly.

The illustrations on the following pages may not depict your particular dryer exactly. The illustrations are a composite of the various dryer models. Be sure to check the descriptions of the parts thoroughly before ordering.

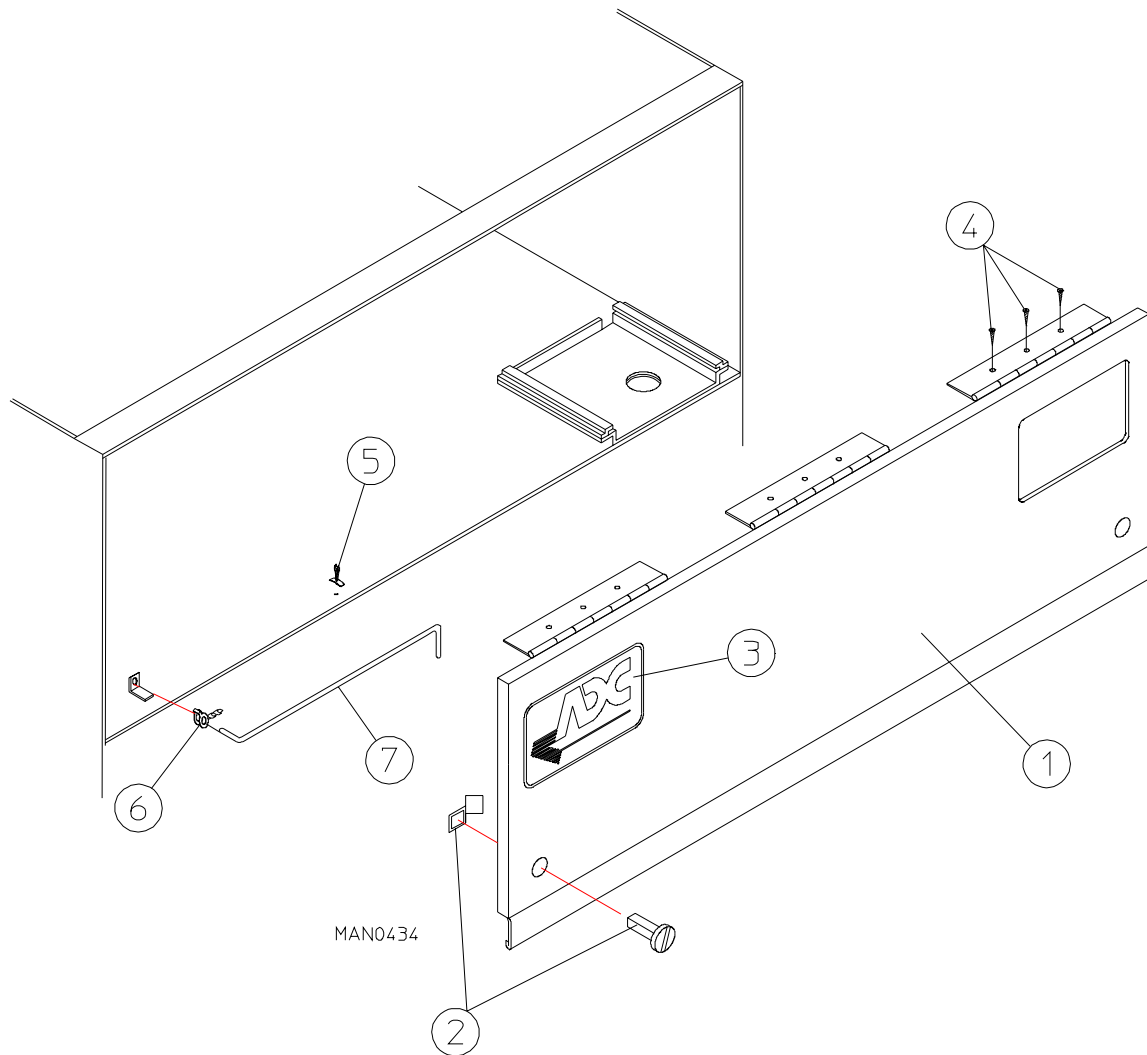
“IMPORTANT NOTE TO PURCHASER”

Information **must be** obtained from your local gas supplier on the instructions to be followed if the user smells gas. These instructions **must be** posted in a prominent location near the dryer.

Table of Contents

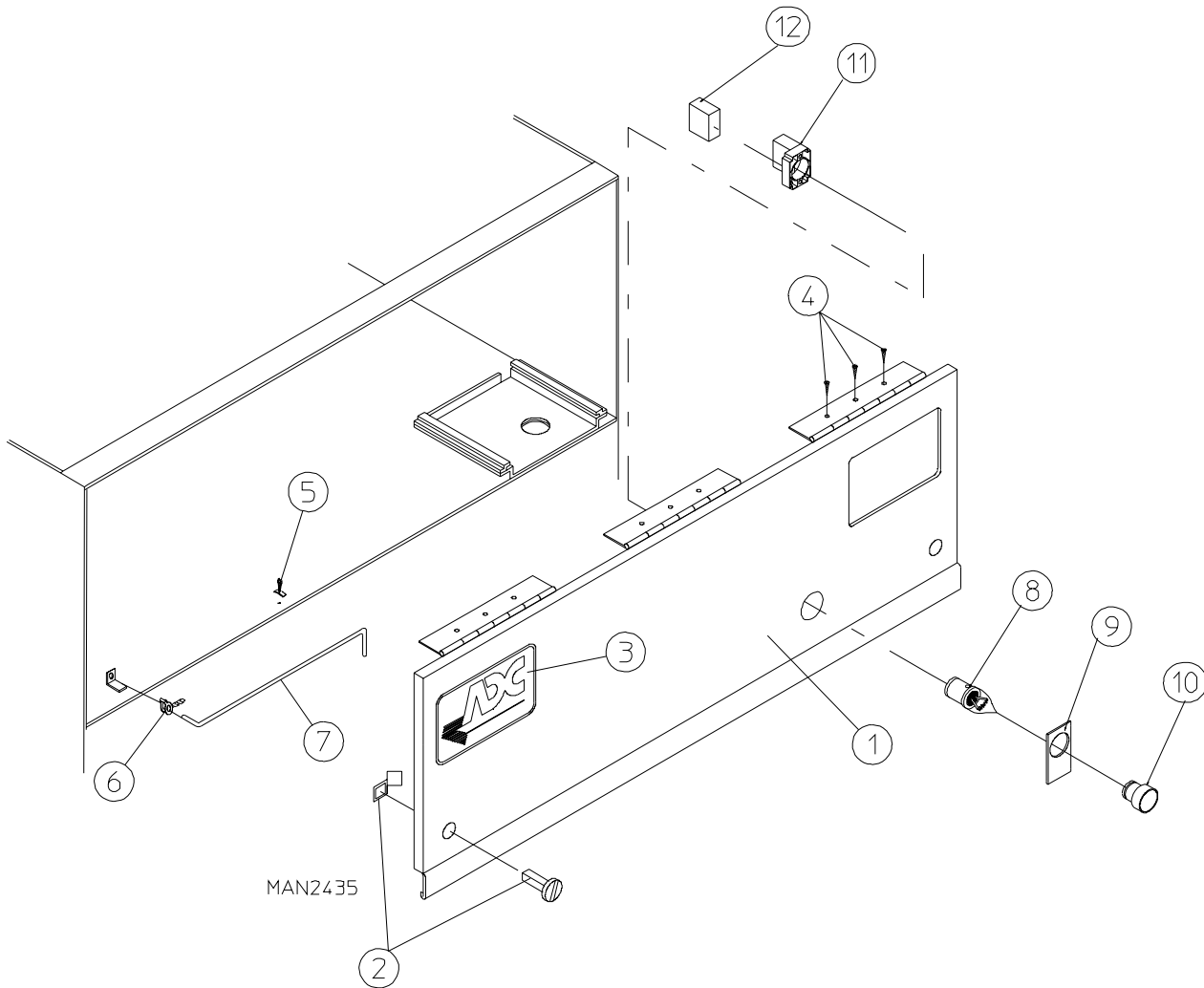
Control Door Assembly	3
Control Door Assembly (Sprinkler Option)	4
Microprocessor Control Panel Assembly	5
Microprocessor Control Box Assembly	6, 7
Dual Timer Control Panel Assembly	8, 9
Dual Timer Control Box Assembly	10, 11
Front Panel/Main Door Assemblies	
For Models Mfd. as of August 31, 2000	12, 13
Front Panel/Main Door Assemblies	
For Models Mfd. prior to August 31, 2000	14, 15
Main Door Switch Assembly	
For Models Mfd. as of August 31, 2000	16
Main Door Switch Assembly	
For Models Mfd. prior to August 31, 2000	17
Lint Drawer/Lint Drawer Switch Box Assemblies	
For Models Mfd. as of August 30, 1999	18
Lint Drawer/Lint Drawer Switch Box Assemblies	
For Models Mfd. Between December 1, 1994 and August 30, 1999	19
Lint Door Assembly	20
Microprocessor Controller (Computer) Temperature Sensor Bracket Assembly	21
Dual Timer Temperature Sensor Bracket Assembly	22, 23
Basket (Tumbler)/Support Assemblies	24, 25
Basket (Tumbler) Bearing Mount Assembly	26, 27
Idler Bearing Mount Assembly	28, 29
Basket (Tumbler) Drive Motor Mount Assembly	30, 31
Blower Motor Mount Assembly	
For Models Mfd. as of July 17, 2000	32
Impellor/Fan Assembly	
For Models Mfd. prior to November 6, 2000	33
Blower Motor Mount Assembly	
For Gas Models Mfd. prior to November 6, 2000	34, 35
Blower Motor Mount Assembly	
For Electric Models Mfd. prior to November 6, 2000	36, 37
Blower Motor Mount Assembly	
For Steam Models Mfd. prior to November 6, 2000	38, 39
Direct Spark Ignition (DSI) Burner Assembly	
For Gas Models Only	40, 41

Direct Spark Ignition (DSI) Module Assembly	
For Gas Models Mfd. as of April 1, 2000	42
Direct Spark Ignition (DSI) Module Assembly	
For Gas Models Mfd. prior to April 1, 2000	43
Electric Oven Assembly	
For Electric Models Only	44, 45
Electric Oven Relay Box Assembly	
208-240 VAC 3 ϕ 50/60 Hz	46
Electric Oven Relay Box Assembly	
380-416/480 VAC 3 ϕ 50/60 Hz	47
Sail Switch Assembly	48
Steam Damper Assembly	
For Steam Models Only	49
Microprocessor Reversing Contactor Mounting Panel Assembly	50
Dual Timer Reversing Contactor Mounting Panel Assembly	51
Extended Back Guard Assembly	52
Step Down Transformer Application Listing	53
Electric Oven Component Application Listing	
For Electric Models Only	54
Electric Oven Power Distribution	
72 kW 208-240 VAC 3 ϕ 50/60 Hz	55
Electric Oven Power Distribution	
72 kW 380-416/480 VAC 3 ϕ 50/60 Hz	56
Electric Oven Power Distribution	
80 kW 208-240 VAC 3 ϕ 50/60 Hz	57
Electric Oven Power Distribution	
80 kW 380-416/480 VAC 3 ϕ 50/60 Hz	58
Electric Oven Wiring	
72/80 kW 208-240 VAC 3 ϕ 50/60 Hz	59
Electric Oven Wiring	
72/80 kW 380-416/480 VAC 3 ϕ 50/60 Hz	60
Sprinkler Pneumatic Assembly	61
Sprinkler Panel Assembly	62, 63
Sprinkler Pipe Assembly	64, 65
Relay Panel (Sprinkler Option)	66, 67
Temperature Sensor Assembly for Sprinkler	68
Back Guard Assembly	69
Additional Parts Available	70

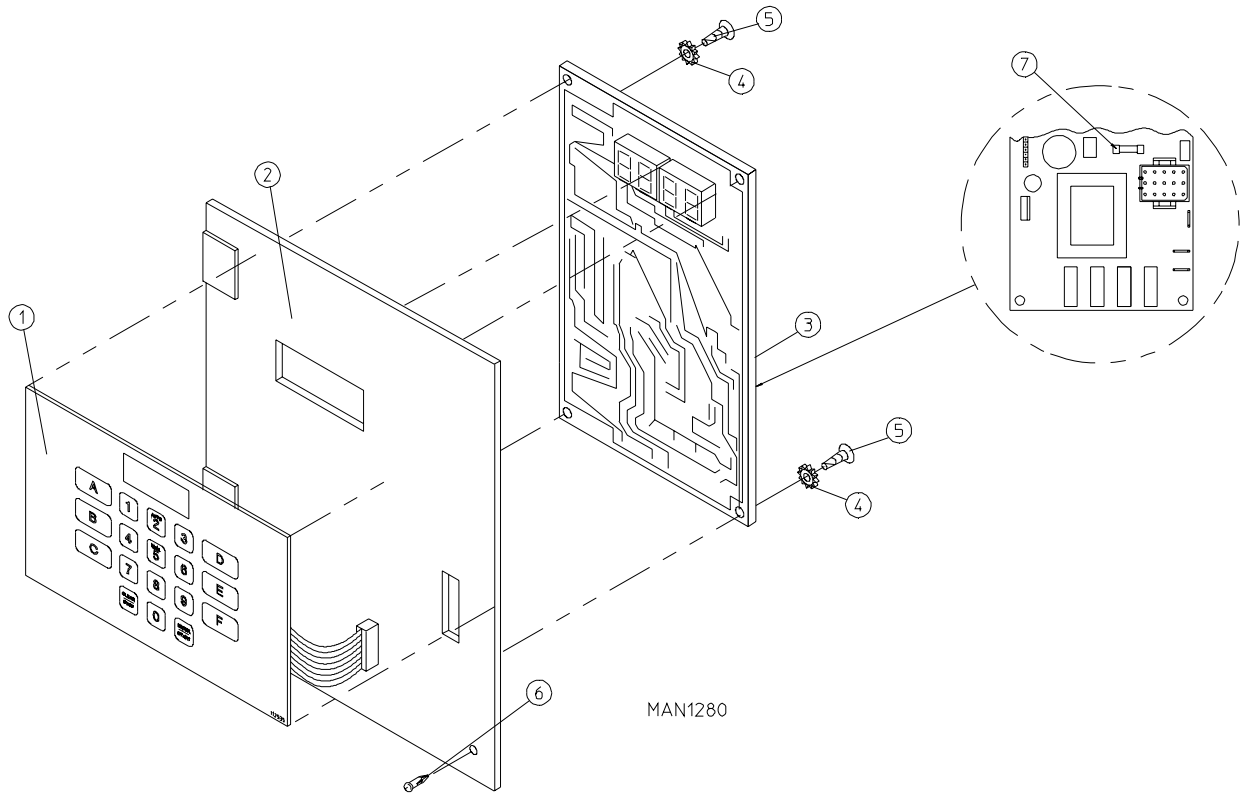


<u>Illus. No.</u>	<u>Part No.</u>	<u>Qty.</u>	<u>Description</u>
1	820004*	1	Control Door Assembly ONLY (for gas models and electric models Only)
	820003	1	Stainless Steel Control Door Assembly ONLY (for gas models and electric models Only)
	820006*	1	Short Control Door ONLY (for steam models Only)
	820009	1	Stainless Steel Control Door Assembly ONLY (for steam models Only)
2	160005	2	Spring Turn Latch (2-piece)
3	112360	1	ADC Logo ONLY
	870011	1	Logo Double Tape Kit
4	150309	9	#10-16 x 1/2" Hex Head TEK Crimptite Screw
5	102600	1	Control Door Support Rod Catch
6	102601	1	Control Door Retainer Clip
7	102505	1	Control Door Support Rod

* Specify color when ordering.



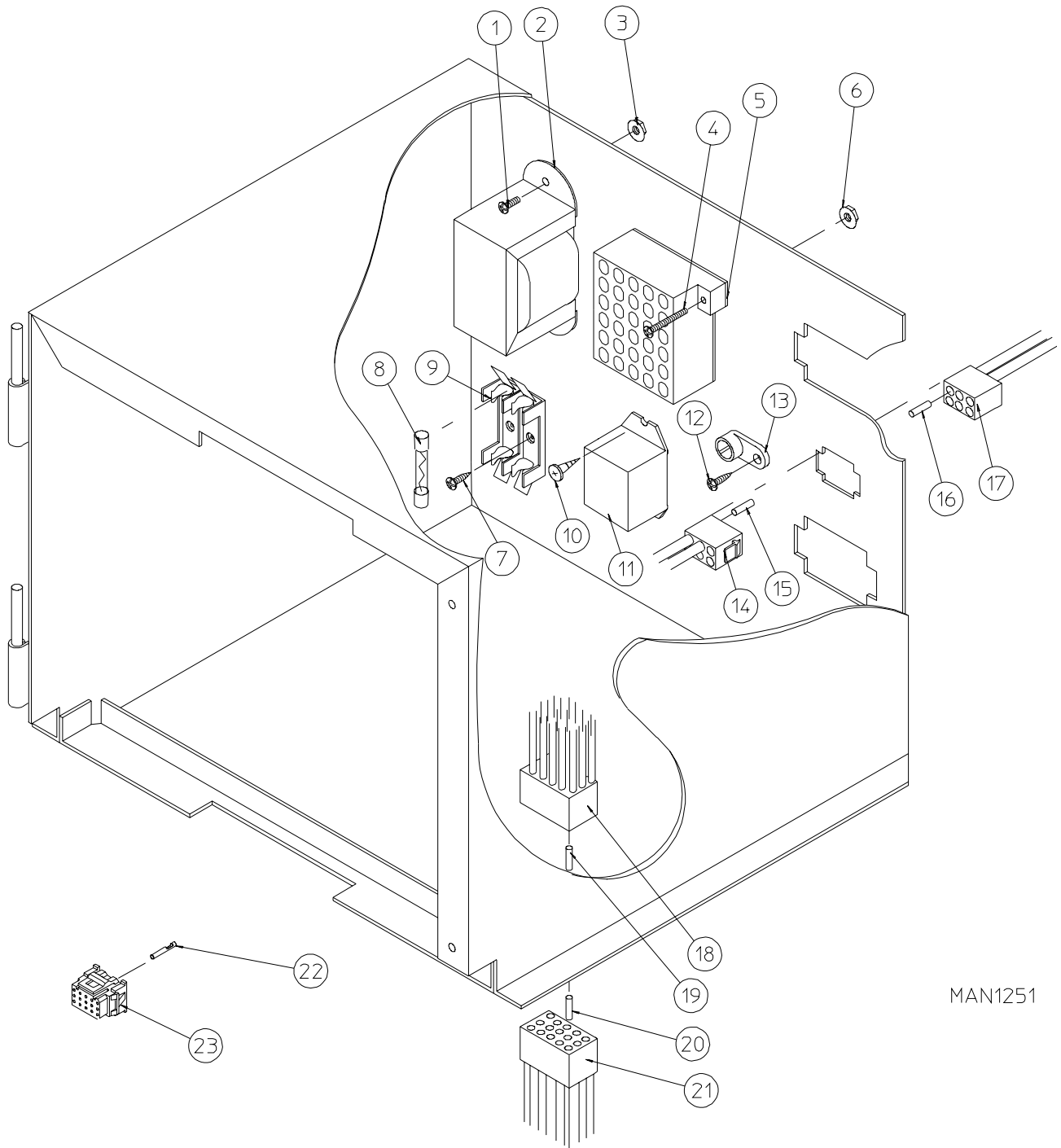
<u>Illus No.</u>	<u>Part No.</u>	<u>Qty.</u>	<u>Description</u>
1	881314	1	Control Door Assembly ONLY
2	160005	2	Spring Turn Latch (2-piece)
3	112360	1	ADC Logo ONLY
	870011	1	Double Tape Kit
4	150415	9	#10-16 x 1/2" Phillips Round Head Crimptite Screw
5	102600	1	Control Door Support Rod Catch
6	102601	1	Control Door Rod Retainer Clip
7	102505	1	Control Door Support Rod
8	123211	1	120V Panel Light Bulb
9	122420	1	Engraved Label "Sprinkler Stop"
10	123200	1	Amber Lighted Push-Button Operator
11	132388	1	Normally Opened (N.O.) Contact Block with Direct Supply Base
12	132387	1	Normally Closed (N.C.) Contact Block



Illus. No.	Part No.	Qty.	Description
1	112535	1	Non-Coin English Keyboard Label Assembly
	112276	1	Non-Coin Stick-On Label (English Only)*
	112275	1	3-Language Non-Coin Stick-On Label (Spanish, Italian, and Hebrew)*
	112277	1	3-Language Non-Coin Stick-On Label (English, Spanish, and Hebrew)*
	112278	1	5-Language Non-Coin Stick-On Label (Italian, Dutch, French, German, and Chinese)*
2	880836	1	Microprocessor Controller (computer) Control Panel ONLY
	801260	1	Microprocessor Controller (computer) Control Panel ONLY with Battery Bracket
	801215	1	Microprocessor Controller (computer) Control Panel Assembly Complete (includes illus. nos. 1 through 5 and 7)
	801214	1	Microprocessor Control Panel Assembly Complete with Battery Option (includes illus. nos. 1 through 5 and 7)
3	137231	1	Phase 5 Non-Coin Reversing Microprocessor Controller (computer) ONLY
	824998	1	Phase 5 Battery Clip ONLY
4	153010	2	#6 Star Washer
5	150005	2	#6-32 x 3/4" Phillips Round Head Machine Screw
6	150309	1	#10-16 x 1/2" Hex Head TEK Crimpite Screw
7	136048	1	1/8-amp Slo-Blo Fuse ONLY

* Not illustrated.

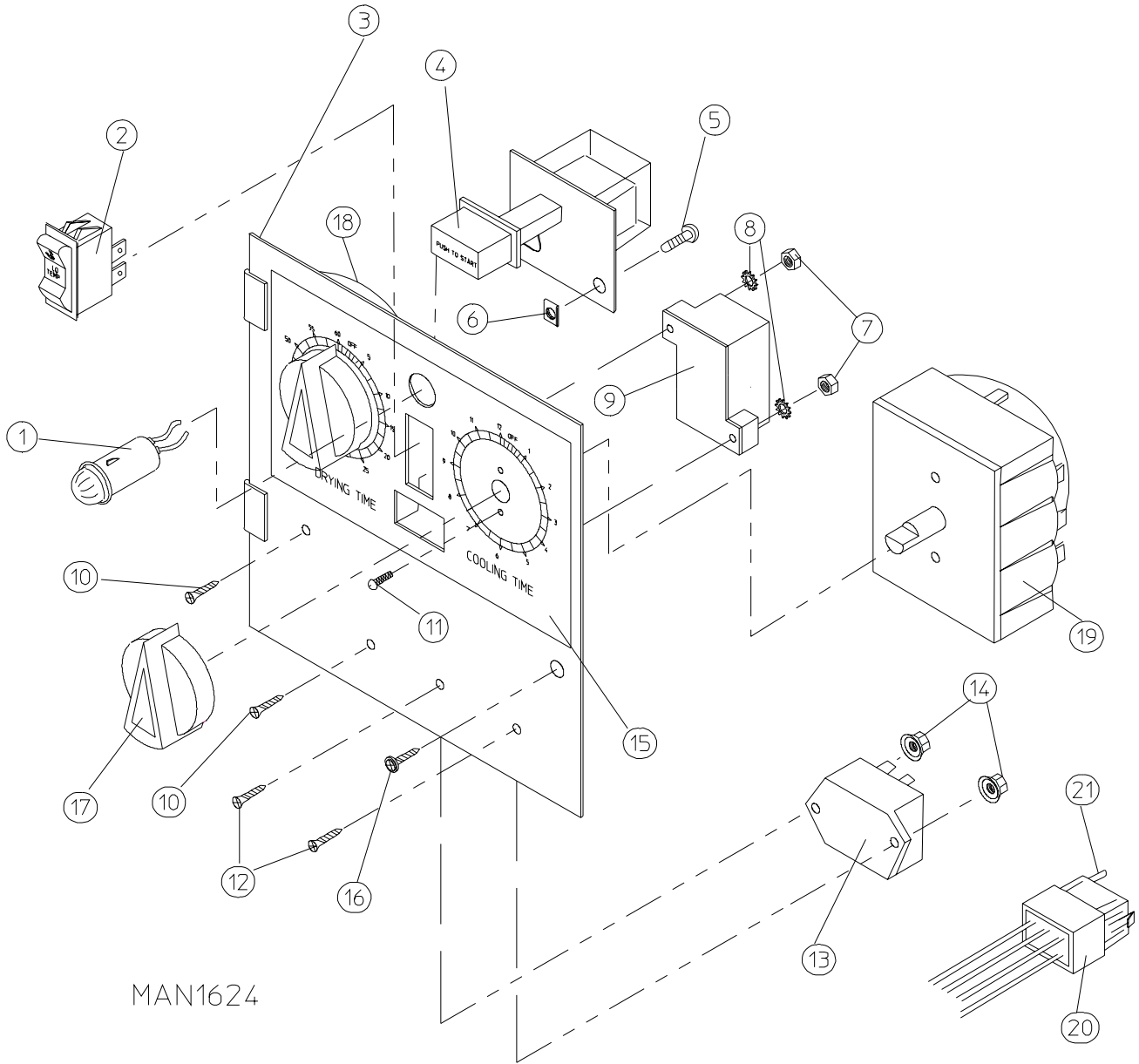
IMPORTANT: Check label on computer chip to verify correct part number for microprocessor controller (computer).



MAN1251

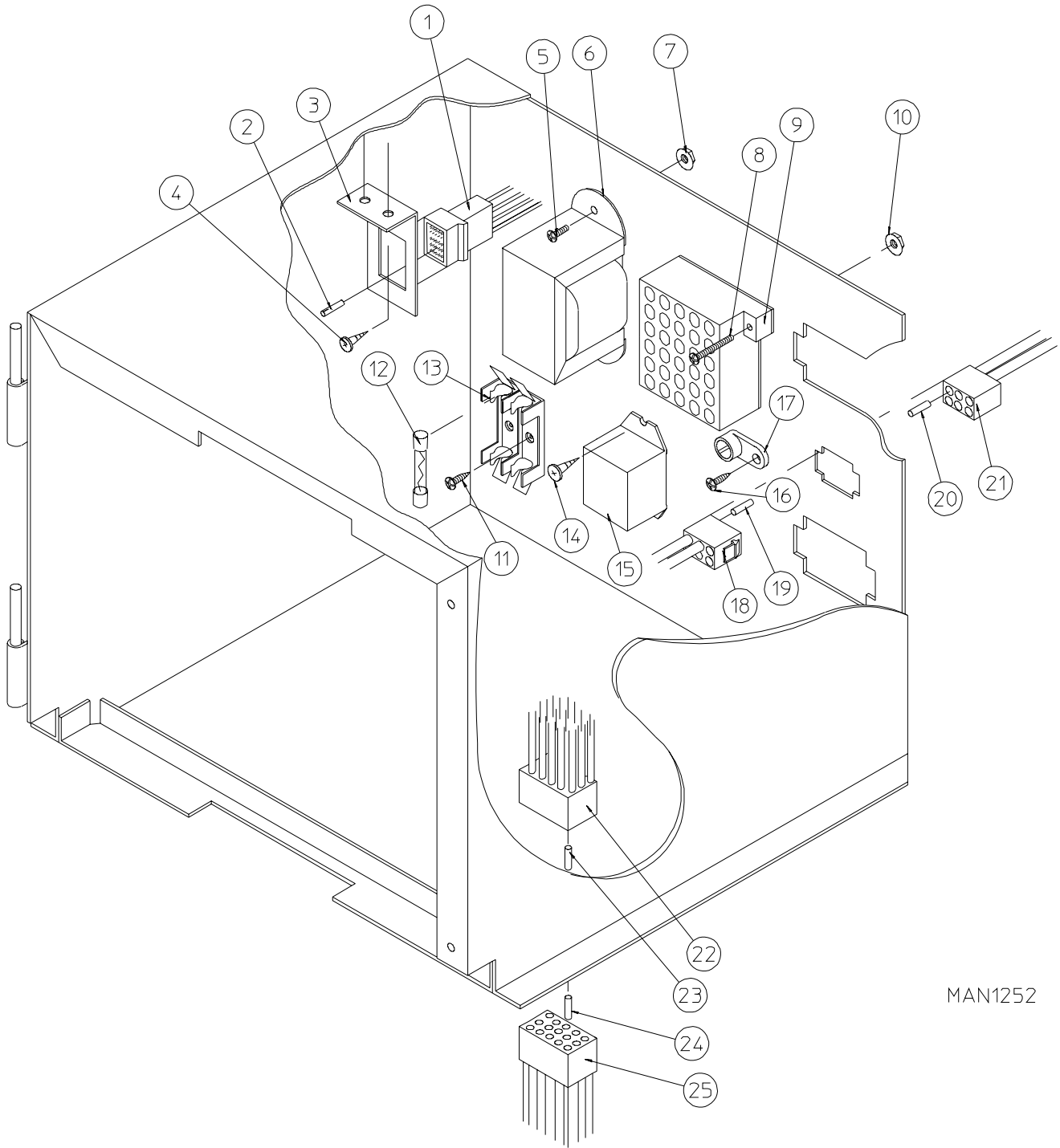
<u>Illus. No.</u>	<u>Part No.</u>	<u>Qty.</u>	<u>Description</u>
1	150100	2	#8-32 x 1/2" Round Head Machine Screw
2	141403	1	24 VAC Transformer - 50/60 Hz (for gas and steam models Only)
3	151001	2	#8-23 Pal Nut
4	150002	2	#6-32 x 1" Round Head Machine Screw
5	120715	1	30-Position Terminal Block
6	151000	2	#6-32 Pal Nut
7	150102	2 or 3	#8 x 3/8" Phillips Round Head TEK Screw
8	136057	2	1/8-amp Slo-Blo Fuse ONLY
	182453	2 or 3	6-amp (fast acting) Fuse (for electric models Only)
9	136008	2 or 3	Fuse Block/Strip ONLY
10	150413	2	#10-16 x 1/2" TORX Crimptite Screw
11	131932	1	24 VAC Relay (for electric models Only)
12	150413	1	#10-16 x 1/2" TORX Crimptite Screw
13	121010	1	L-70 Ground Lug
14	122631	1	6-Pin Connector ONLY
15	122705	*	Socket Terminal ONLY
16	122704	*	Pin Terminal ONLY
17	122630	1	6-Pin Connector ONLY
18	122625	1	15-Pin Connector ONLY
	137025	1	15-Position Strain Relief, Not Illustrated
19	122704	12	Pin Terminal ONLY
20	122705	12	Socket Terminal ONLY
21	122626	1	15-Pin Socket Connector ONLY
22	122706	11	Microprocessor Socket ONLY
23	122641	1	15-Pin Microprocessor Connector ONLY
---	122800	1	Microprocessor (female) Pin Extraction Tool, Not Illustrated
---	122801	1	Pin/Socket Extraction Tool, Not Illustrated

* As required (either 2 or 3).



MAN1624

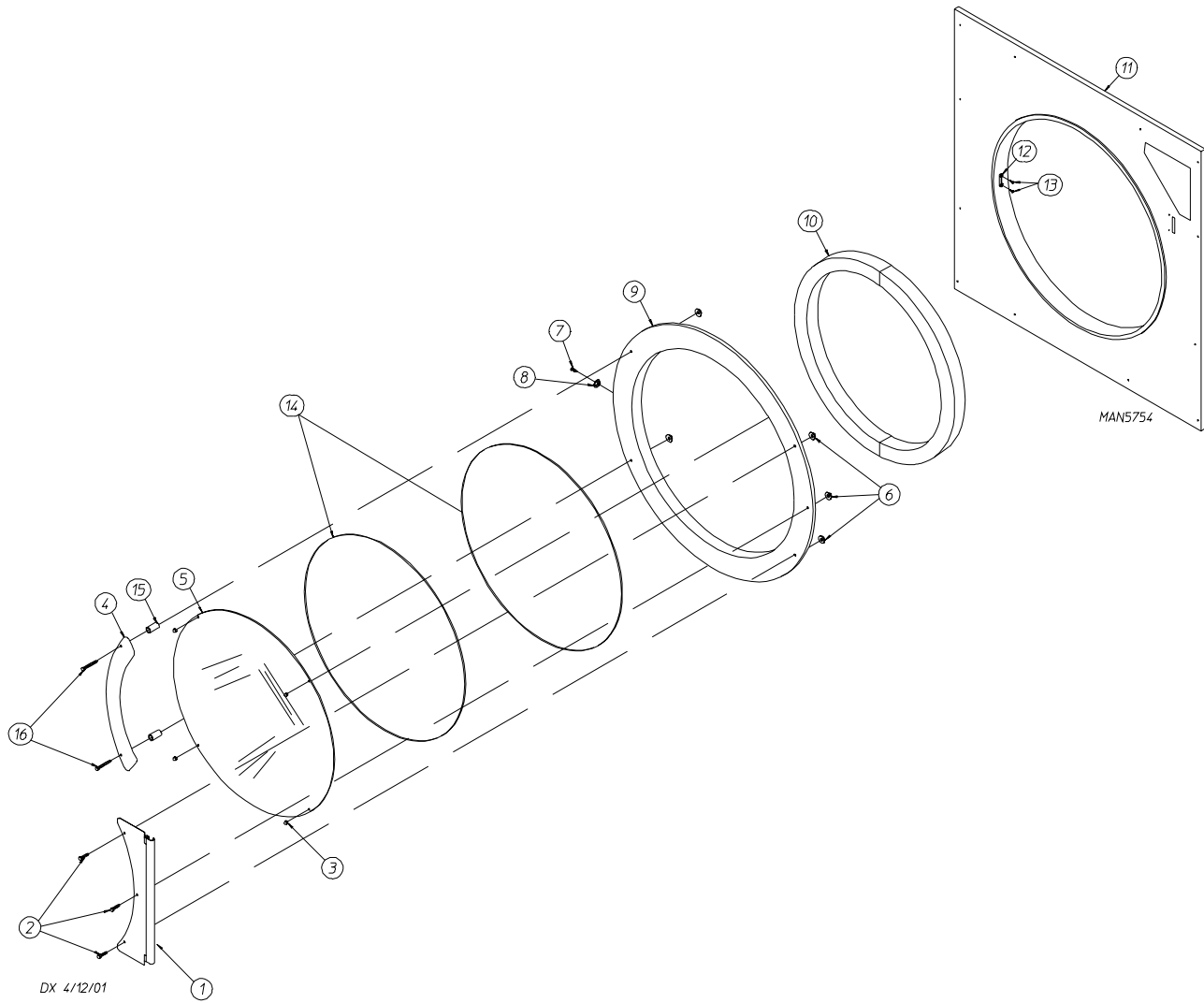
<u>Illus. No.</u>	<u>Part No.</u>	<u>Qty.</u>	<u>Description</u>
1	123005	1	Red Indicator Light - 24 VAC
2	122400	1	Rocker Heat Selector Switch
3	880838	1	Dual Timer Control Panel Assembly Complete - 24 VAC (includes illus. nos. 1 through 15 and 17 through 21)
	880837	1	Dual Timer Control Panel ONLY
4	131917	1	Push To Start Relay - 24 VAC
5	150207	2	#10-24 x 1/2" Phillips Round Head Machine Screw
6	154001	2	#10-24 Speed Nut
7	152000	2	#6-32 Hex Nut
8	153010	2	#6 Star Washer
9	120730	1	30-Position Terminal Block
10	153565	2	#6-32 x 1" Clinch Stud
11	150110	4	#8-32 x 1/4" Phillips Round Head Machine Screw
12	153560	2	#6-32 x 1/2" Clinch Stud
13	131931	1	Dual Timer Relay - 24 VAC
14	151000	1	#10-16 x 1/2" Pal Nut
15	112050	1	Dual Timer Label ONLY
16	150309	1	#10-16 x 1/2" Hex Head TEK Crimptite Screw
17	124103	2	Arrow Timer Knob
18	124025	1	60-Minute Timer - 24 VAC
19	124030	1	15-Minute Timer - 24 VAC
20	122602	1	9-Pin Connector ONLY
21	122700	7	Pin Terminal ONLY
---	122801	1	Pin/Socket Extraction Tool, Not Illustrated



MAN1252

<u>Illus. No.</u>	<u>Part No.</u>	<u>Qty.</u>	<u>Description</u>
1	122603	1	9-Pin Socket Connector
2	122701	7	Socket Terminal ONLY
	122801	1	Pin/Socket Extraction Tool, Not Illustrated
3	315010	1	9-Pin Connector Bracket
4	150300	2	#10-16 x 1/2" Hex Washer TEK Screw
5	150100	2	# 8-32 x 1/2" Phillips Round Head Machine Screw
6	141403	1	24 VAC Transformer - 50/60 Hz (for gas models and steam models Only)
7	151001	2	#8-23 Pal Nut
8	150002	2	#6-32 x 1" Phillips Round Head Machine Screw
9	120715	1	30-Position Terminal Block
10	151000	2	#6-32 Pal Nut
11	150102	2 or 3	#8 x 3/8" Phillips Round Head TEK Screw
12	136057	2	1/2-amp Slo-Blo Fuse ONLY
	182453	1	6-amp (fast acting) Fuse (for electric models Only)
13	136008	2 or 3	Fuse Block/Strip ONLY
14	150413	2	#10-16 x 1/2" TORX Crimptite Screw
15	131932	1	24 VAC Relay (for electric models Only)
16	150413	1	#10-16 x 1/2" TORX Crimptite Screw
17	121010	1	L-70 Ground Lug
18	122631	1	6-Pin Connector ONLY
19	122705	*	Socket Terminal ONLY
20	122704	*	Pin Terminal ONLY
21	122630	1	6-Pin Connector ONLY
	137025	1	6/15-Position Strain Relief, Not Illustrated
22	122625	1	15-Pin Connector ONLY
23	122704	12	Pin Terminal ONLY
24	122705	12	Socket Terminal ONLY
25	122626	1	15-Pin Socket Connector ONLY
---	122801	1	Pin/Socket Extraction Tool, Not Illustrated

* As required (either 2 or 3).

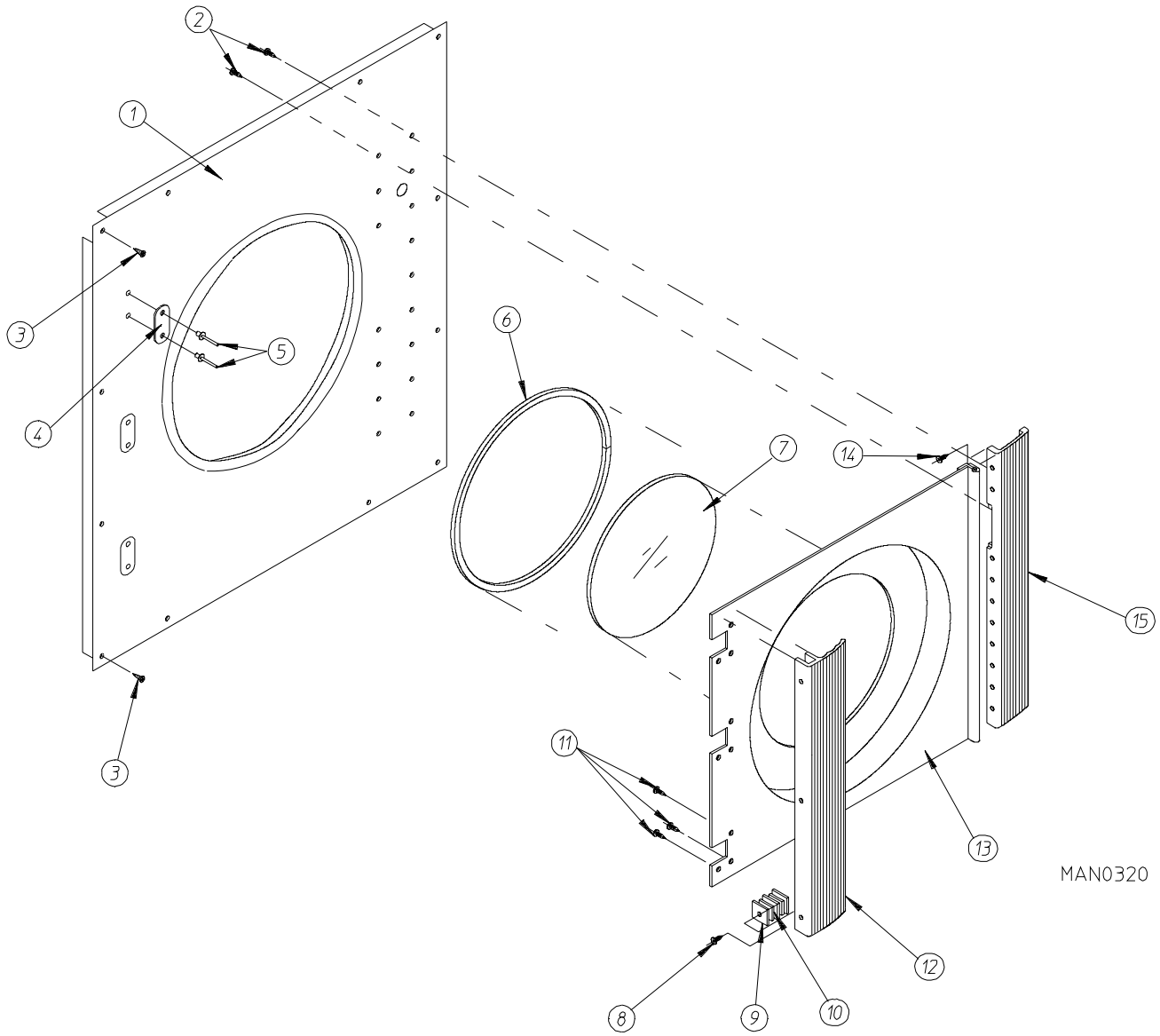


For Models Mfd. as of August 31, 2000

<u>Illus. No.</u>	<u>Part No.</u>	<u>Qty.</u>	<u>Description</u>
1	883081	1	Door Hinge (black)
2	150683	4	1/4-20 x 5/8" Carriage Bolt
3	151012	1	#10-32 Acorn Nut (white)
4	883082	1	Main Door Handle (black)
5	102214	1	30" Door Glass
	170730	1	Door Glass Adhesive (10.3 oz. cartridge)
6	152014	6	1/4-20 Free Spin Wash Nut
7	150120	1	Main Door Latch Screw (#10-32 dome hex head screw)
8	151010	1	#10-32 Acorn Nut
9	883083	1	Main Door Assembly Complete (black) (includes illus. nos. 2 through 10)
	883080	1	Main Door Ring (black)
10	882411	1	Extruded Steel Door Gasket
11*	825195	1	Front Panel Assembly (white)
12	170330	1	Friction Door Latch
13	154215	2	5/32" Pop Rivet
14	102360	2	0.0625 x 0.125 Gasket (black)
15	154270	2	1" Spacer
16	150685	1	1/4-20 x 1-3/4" Carriage Bolt

* Specify color when ordering.

For Models Mfd. prior to August 31, 2000



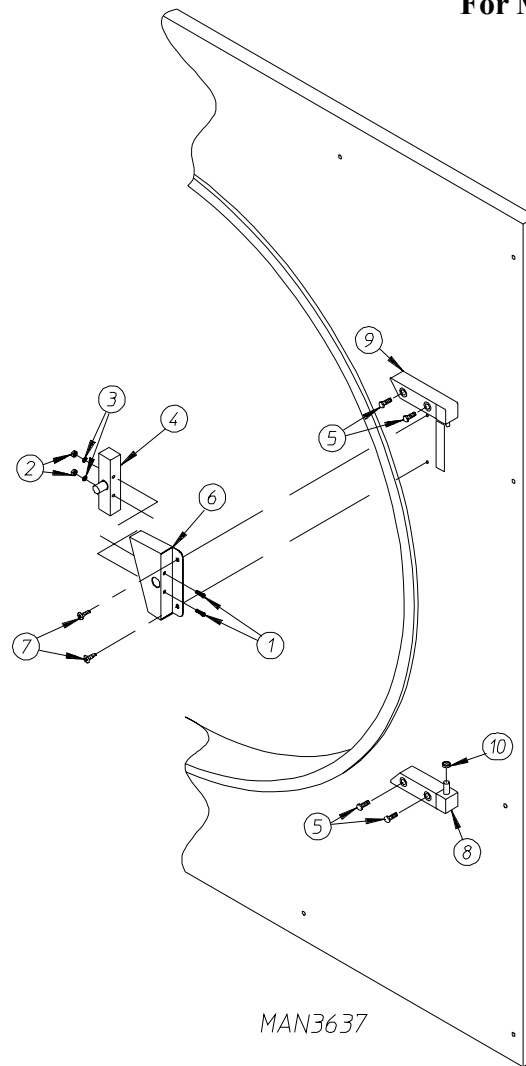
MAN0320

For Models Mfd. prior to August 31, 2000

<u>Illus. No.</u>	<u>Part No.</u>	<u>Qty.</u>	<u>Description</u>
1	820012*	1	Right Hand Front Panel Assembly (includes illus. nos. 1, 4, and 5)
	820014	1	Stainless Steel Right Hand Front Panel Assembly (includes illus. nos. 1, 4, and 5)
2	150309	15	#10-16 x 1/2" Hex Head TEK Crimptite Screw
3	150412	12	#10-16 x 3/4" Phillips Round Head Crimptite Screw
4	170340	3	3-1/2" Stainless Steel Striker Pad
5	154200	6	5/32" Pop Rivet
6	102308	1	Door Gasket ONLY (94" length)
7	102210	1	20-7/16" Door Glass ONLY
	170730	1	Glass Adhesive (10.3 oz. cartridge)
8	150401	3	#10-24 x 1-1/4" Phillips Taptite Screw
9	306801	9	Magnet Keeper ONLY
10	102102	6	1" x 3/4" x 0.197" Main Door Magnet ONLY
11	150430	9	#10 x 1/2" Phillips Pan Head Self-Tapping Machine Screw
12	180150	1	35" Granite Main Door Handle ONLY
13	800127*	1	Main Door Assembly Complete with Gray Cross Handle (includes illus. nos. 6 through 13)
	800128	1	Stainless Steel Main Door Assembly Complete with Gray Cross Handle (includes illus. nos. 6 through 13)
	800122*	1	Main Door Assembly with Glass and Gasket ONLY (includes illus. nos. 6, 7, and 13)
	800123	1	Stainless Steel Main Door Assembly with Glass and Gasket ONLY (includes illus. nos. 6, 7, and 13)
14	150430	10	#10 x 1/2" Phillips Pan Head Self-Tapping Machine Screw
15	180155	1	35" Cross Main Door Hinge Block ONLY (gray)

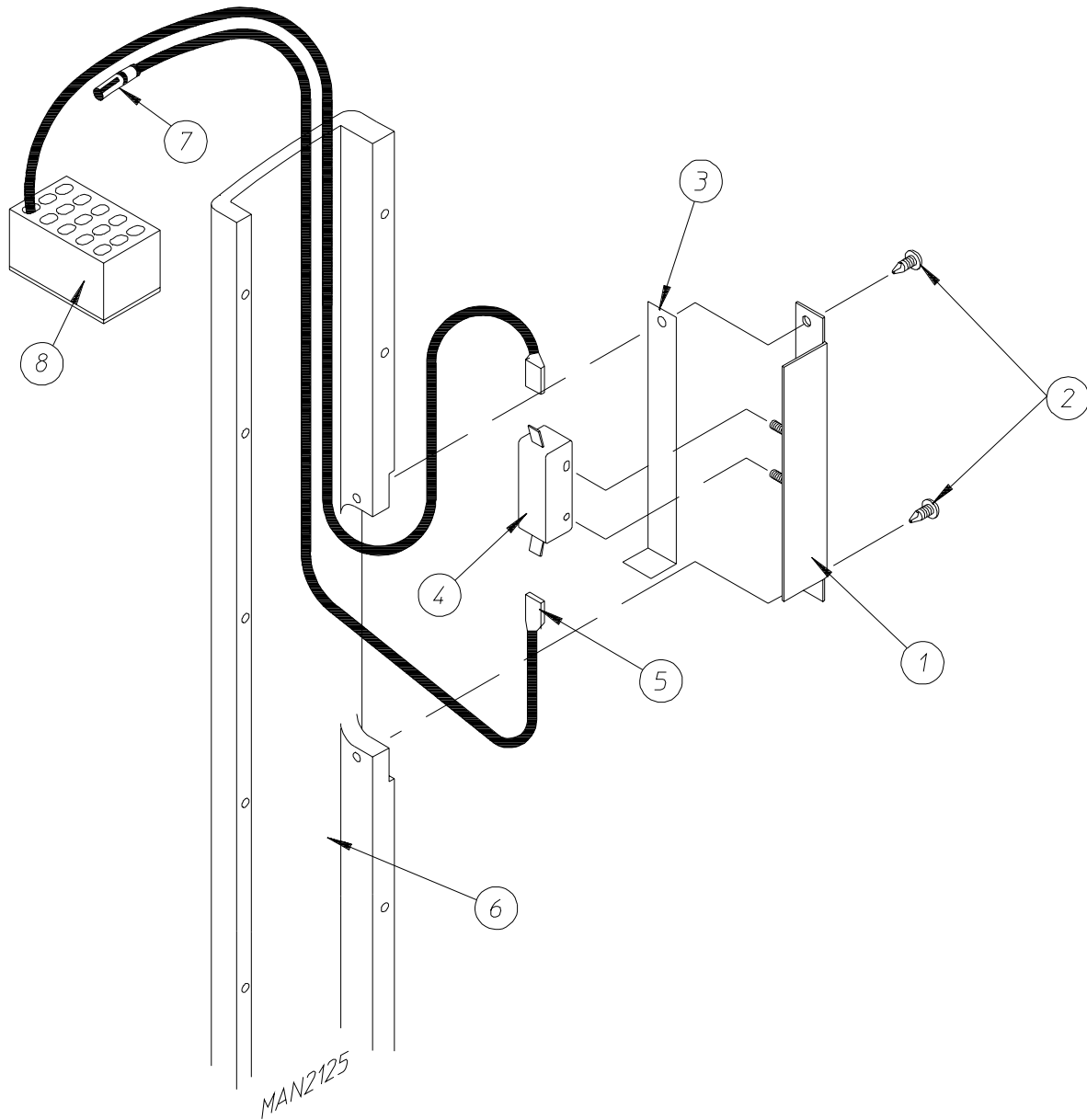
* Specify color when ordering.

For Models Mfd. as of August 31, 2000



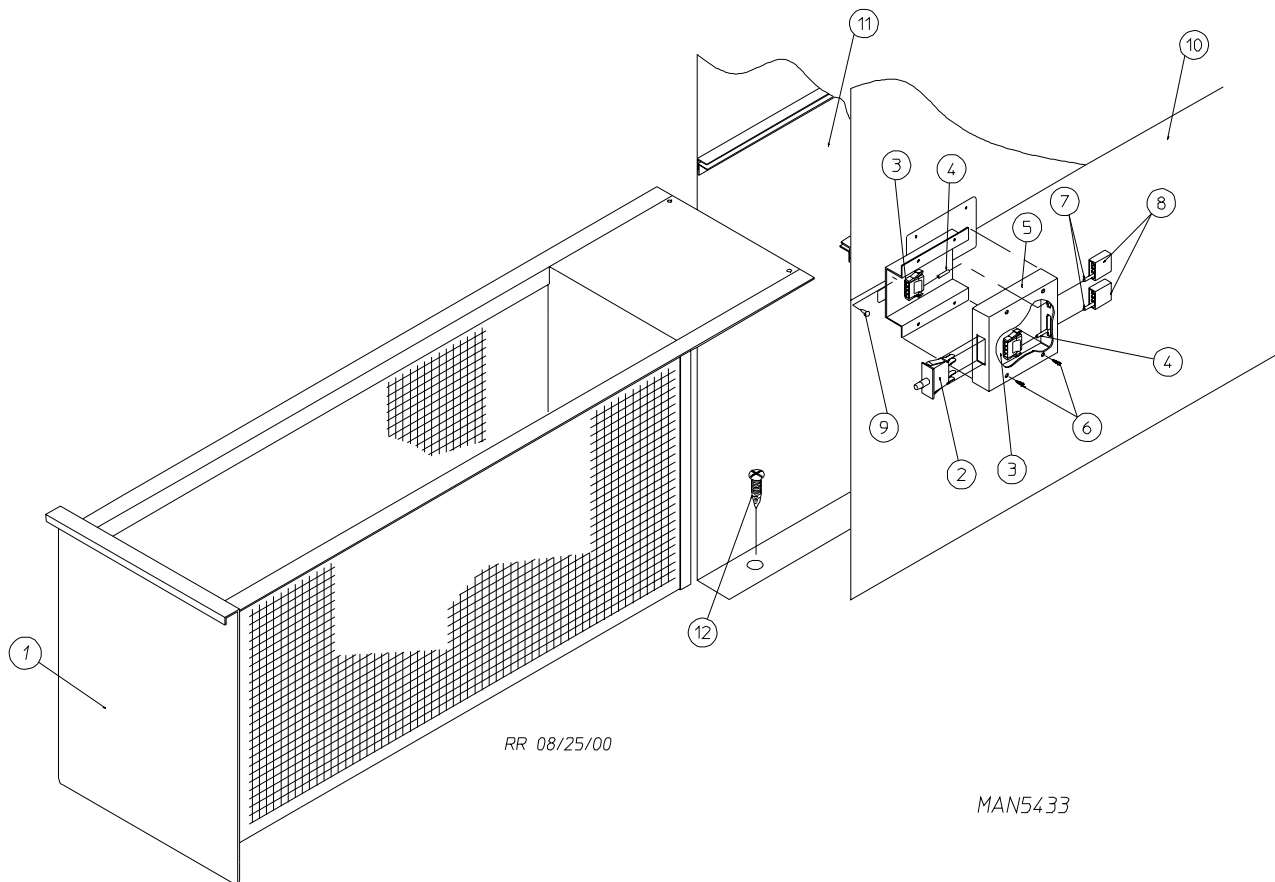
Illus. No.	Part No.	Qty.	Description
1	150006	2	#6-32 x 7/8" Phillips Pan Head Machine Screw
2	152013	2	#6-32 Hex Nut
3	153010	2	#6 Star Washer
4	137005	1	Single-Pole Door Switch
5	150445	4	1/4-20 x 3/4" Socket Head Cap Screw
6	881687	1	Main Door Switch Housing ONLY (white)
	881695	1	Main Door Switch Housing ONLY (blue)
	881702	1	Main Door Switch with Housing Assembly (white) (includes illus. nos. 1 through 4 and 6)
	881700	1	Main Door Switch with Housing Assembly (blue) (includes illus. nos. 1 through 4 and 6)
7	150443	2	1/4-20 x 3/4" Stainless Steel Cap Screw
8	881441	1	Bottom Hinge Block (white)
	881735	1	Bottom Hinge Block (blue)
9	881440	1	Top Hinge Block (white)
	881736	1	Top Hinge Block (blue)
10	153031	1	Nylon Washer

For Models Mfd. prior to August 31, 2000



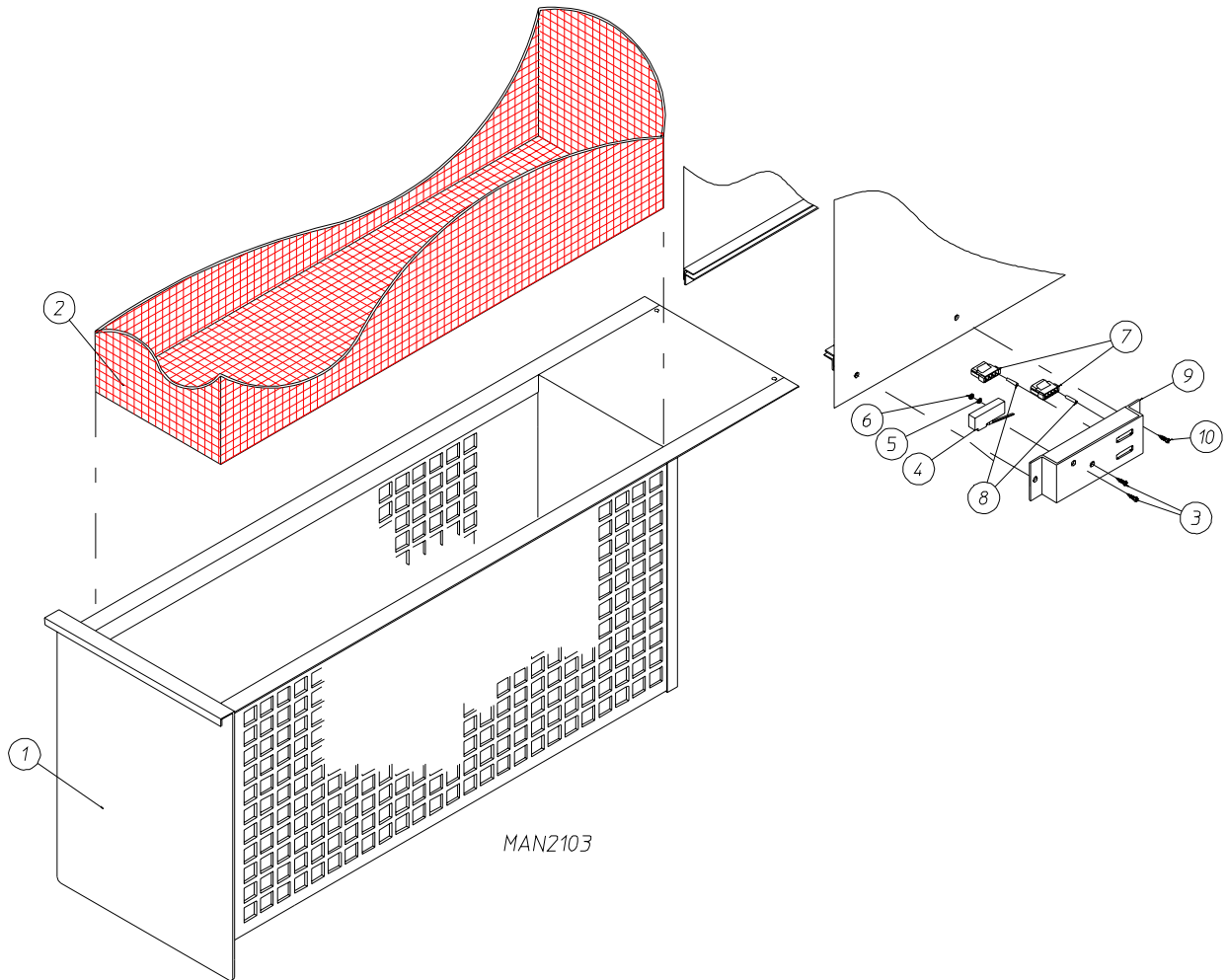
Illus. No.	Part No.	Qty.	Description
1	821098	1	Main Door Switch Assembly Complete (includes illus. nos. 1 through 4 and 6)
	821097	1	Main Door Switch Bracket Assembly ONLY
	102405	1	Main Door Switch Actuator ONLY
2	150415	2	#10-16 x 1/2" Phillips Round Head Crimptite Screw
3	102405	1	Main Door Switch Actuator
4	137005	1	Main Door Switch ONLY
5	121028	2	1/4" x 0.032 Insulated Terminal ONLY
6	180155	1	35" Cross Door Hinge Block ONLY (gray)
7	122705	2	Socket Mate to Split Pin
8	122626	1	15-Pin Cap Housing ONLY (M/L)

For Models Mfd. as of August 30, 1999



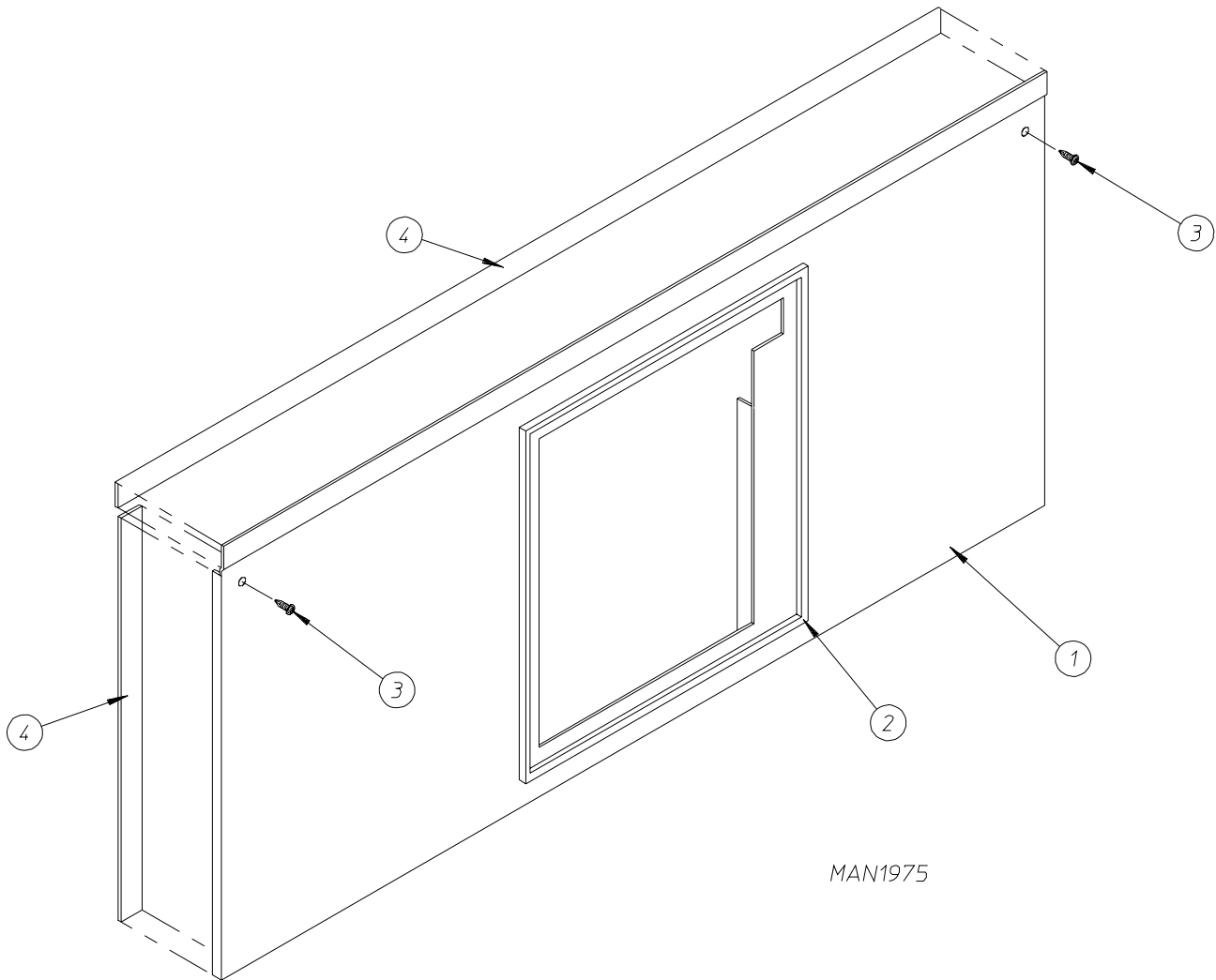
<u>Illus. No.</u>	<u>Part No.</u>	<u>Qty.</u>	<u>Description</u>
1	802106	1	Lint Basket Assembly
	802125	1	Stainless Steel Lint Basket Assembly
2	122116	1	Lint Drawer Switch ONLY
3	122605	1	4-Pin Socket Connector
4	122701	2	Socket Terminal ONLY
	122801	1	Pin/Socket Extraction Tool, Not Illustrated
5	882507	1	Lint Drawer Switch Box Assembly Complete (includes illus. nos. 3 through 6) For Models Mfd. as of August 30, 1999
6	150301	4	#8-18 x 7/16" Phillips Pan Head TEK Screw
7	122700	2	Pin Terminal ONLY
8	122604	1	4-Pin Connector
9	150301	2	#8-18 x 7/16" Phillips Pan Head TEK Screw
10	319076	1	Right Hand Divider Panel
11	319077	1	Left Hand Divider Panel
12	150301	14	#8-18 x 7/16" Phillips Pan Head TEK Screw

For Models Mfd. Between December 1, 1994 and August 30, 1999



<u>Illus. No.</u>	<u>Part No.</u>	<u>Qty.</u>	<u>Description</u>
1	881141*	1	Lint Drawer Assembly with Safety Switch Actuator Complete
	881173	1	Stainless Steel Lint Drawer Assembly with Safety Switch Actuator
2	820017	1	Lint Screen Assembly ONLY
3	153562	2	#6-32 x 3/4" Clinch Stud
4	136992	1	Lint Drawer Switch ONLY
5	153010	2	#6 Star Washer
6	152000	2	#6-32 Hex Nut
7	122605	2	4-Pin Socket Connector ONLY
8	122701	4	Socket Terminal ONLY
	122801	1	Pin/Socket Extraction Tool, Not Illustrated
9	821119	1	Lint Drawer Switch Assembly Complete (includes illus. nos. 3 and 9) For Models Mfd. prior to August 30, 1999
	821116	1	Lint Drawer Switch Mounting Bracket Assembly ONLY (includes illus. nos. 3 and 9)
10	150415	2	#10-16 x 1/2" Phillips Round Head Crimpite Screw

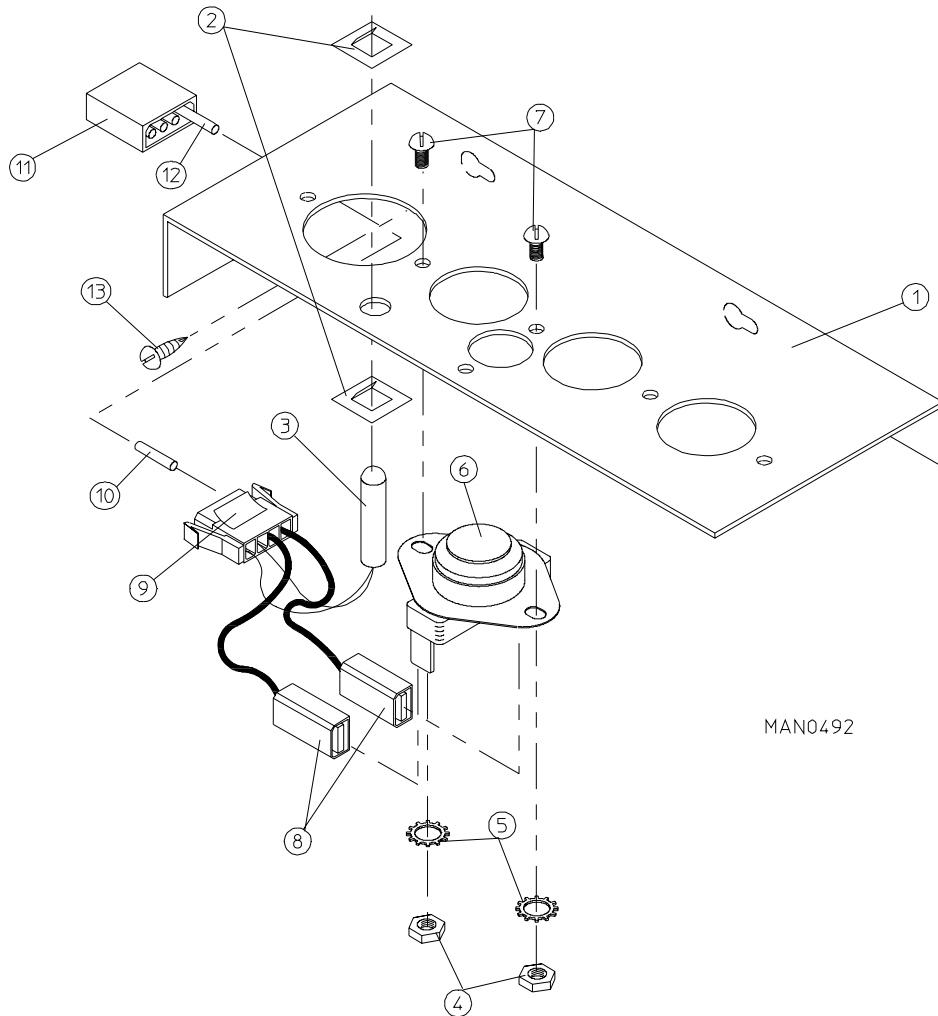
* Specify color when ordering.



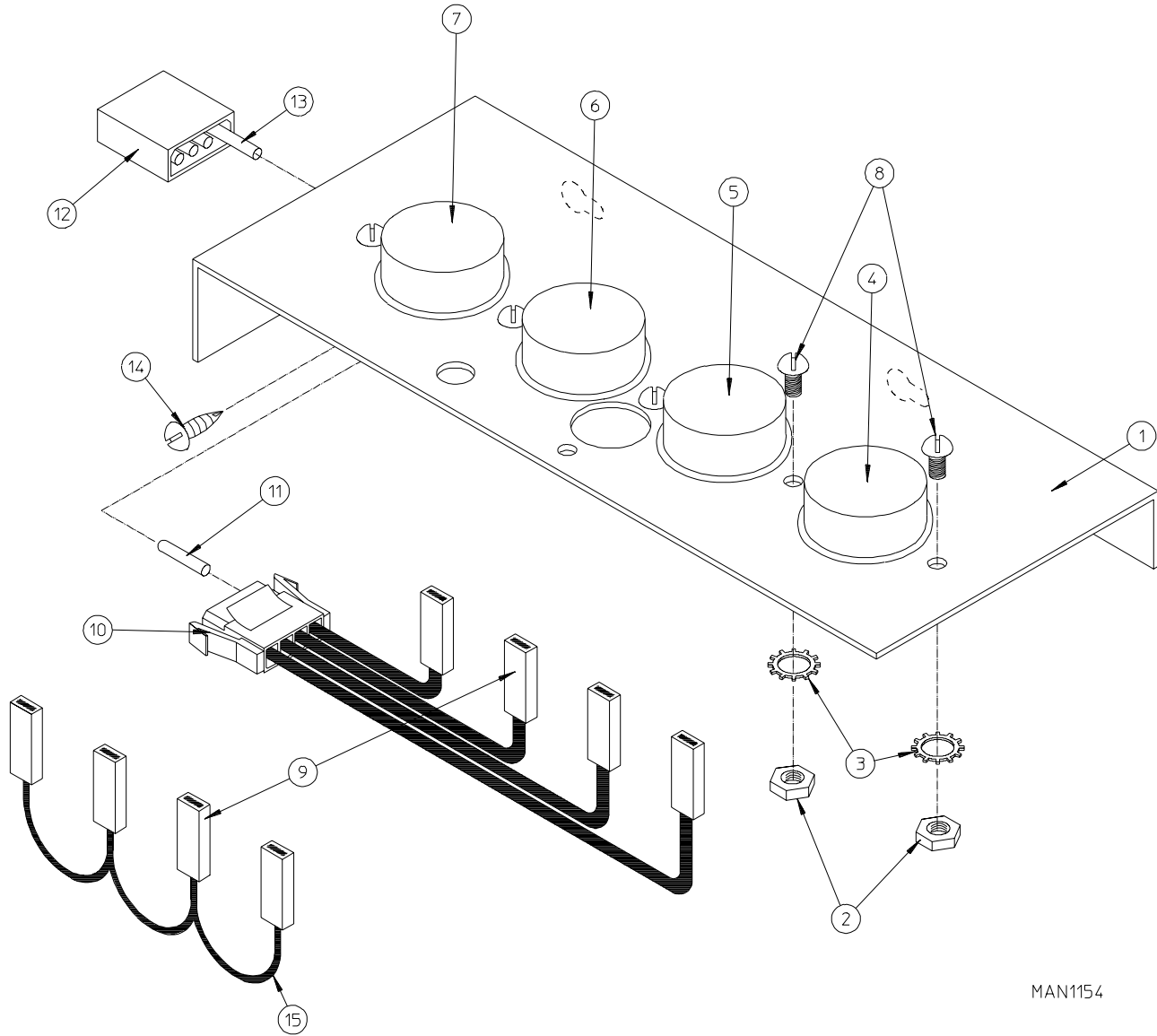
MAN1975

<u>Illus. No.</u>	<u>Part No.</u>	<u>Qty.</u>	<u>Description</u>
1	824256*	1	Lint Door Assembly (includes illus. nos. 1, 2, and 4) For Models Mfd. as of August 30, 1999
	820015*	1	Lint Drawer Assembly (includes illus. nos. 1, 2, and 4) For Models Mfd. Between December 1, 1994 and August 30, 1999
	820021	1	Stainless Steel Lint Door Assembly
2	117602	5	Gasket (sold by the foot)
3	150309	5	#10-16 x 1/2" Hex Head TEK Crimptite Screw
4	117604	8	Neoprene Sponge Tape (sold by the foot)

* Specify color when ordering.

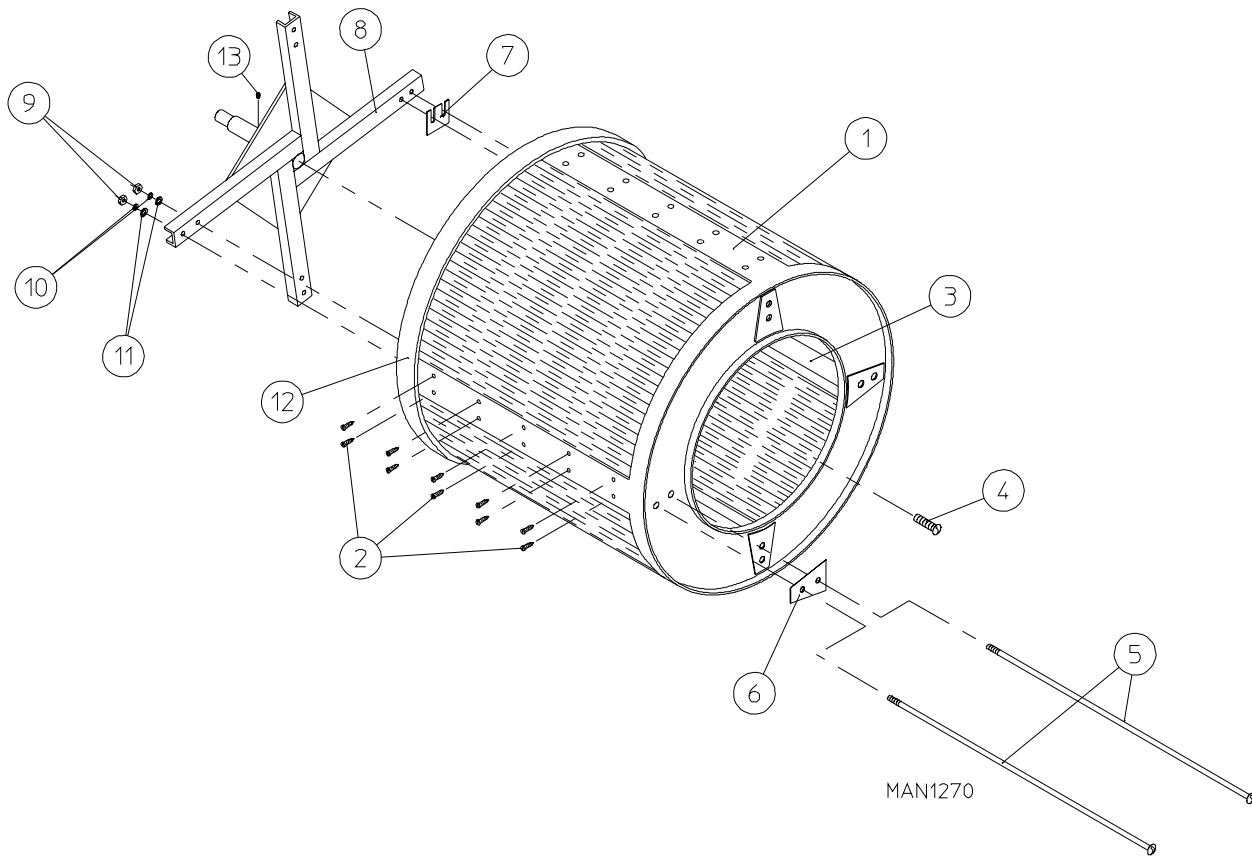


<u>Illus. No.</u>	<u>Part No.</u>	<u>Qty.</u>	<u>Description</u>
1	820022	1	Microprocessor Controller (computer) Temperature Sensor Bracket Assembly Complete (includes illus. nos. 1 through 10)
	331295	1	Temperature Sensor Bracket ONLY
2	154007	2	1/4" Tinnerman Push On Fastener
3	880251	1	1/4" Temperature Sensor Probe Assembly (includes illus. nos. 2, 3, 8, 9, and 10)
4	152000	2	#6-32 Hex Nut
5	153010	2	#6 Star Washer
6	130302	1	225° Large Automatic Reset Thermostat ONLY
7	150000	2	#6-32 x 1/4" Round Head Machine Screw
8	121028	2	Insulated Terminal
9	122605	1	4-Pin Socket Connector ONLY
10	122701	4	Socket Terminal ONLY
11	122604	1	4-Pin Connector ONLY
12	122700	4	Pin Terminal ONLY
	122801	1	Pin/Socket Extraction Tool, Not Illustrated
13	150301	2	#8-18 x 7/16" Phillips Pan Head TEK Screw



MAN1154

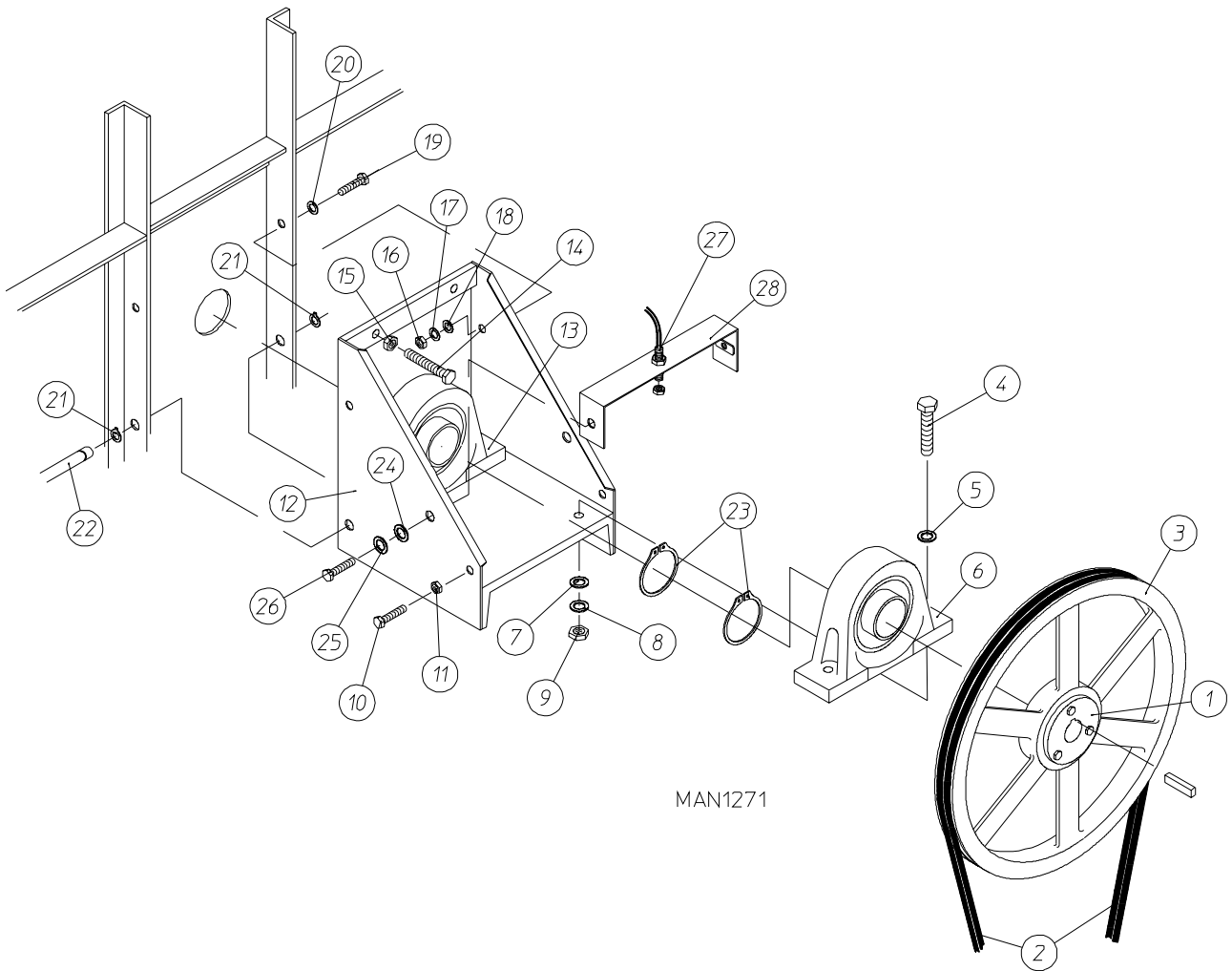
<u>Illus. No.</u>	<u>Part No.</u>	<u>Qty.</u>	<u>Description</u>
1	801404	1	Dual Timer Sensor Bracket Assembly Complete (includes illus. nos. 1 through 11 and 15)
	331295	1	Sensor Bracket ONLY
2	152000	5	#6-32 Hex Nut
3	153010	5	#6 Star Washer
4	130302	1	225° Large Thermostat ONLY
5	130107	1	160° Large Thermostat ONLY
6	130109	1	140° Large Thermostat ONLY
7	130101	1	180° Large Thermostat ONLY
8	150001	5	#6-32 x 1/2" Phillips Round Head Machine Screw
9	121028	8	Insulated Terminal
10	122605	1	4-Pin Socket (female) Connector ONLY
	840062	1	Sensor Bracket Harness Assembly (includes illus. nos. 9 through 11)
11	122701	4	Socket Terminal ONLY
12	122604	1	4-Pin Connector ONLY
13	122700	4	Pin Terminal ONLY
	122801	1	Pin/Socket Extraction Tool, Not Illustrated
14	150301	2	#8-18 x 7/16" Phillips Pan Head TEK Screw
15	840065	1	Sensor Jumper Harness ONLY



<u>Illus. No.</u>	<u>Part No.</u>	<u>Qty.</u>	<u>Description</u>
1	820110*	1	Basket (tumbler) ONLY without Felt Collar
	820111*	1	Stainless Steel Basket (tumbler) ONLY without Felt Collar
	820020	1	Basket (tumbler) and Support Assembly Complete (includes illus. nos. 1 through 12)
	820052	1	Basket (tumbler) and Support Assembly Complete with Rotational Sensor Option (includes illus. nos. 1 through 12)
	820030	1	Stainless Steel Basket (tumbler) and Support Assembly Complete (includes illus. nos. 1 through 12)
	820029	1	Stainless Steel Basket (tumbler) and Support Assembly Complete with Rotational Sensor Option (includes illus. nos. 1 through 12)
2	150413	40	#10-16 x 1/2" TORX Crimptite Screw
3	331105	4	Basket (tumbler) Rib ONLY
	331106	4	Stainless Steel Basket (tumbler) Rib ONLY
4	150500	1	5/16-18 x 3/4" Socket Button Head Screw
5	100910	8	1/2-13 x 44" Tie Rod
6	301700	4	Basket (tumbler) Reinforcing Plate ONLY
7	301701	**	Basket (tumbler) Shim ONLY
8	820115	1	Basket (tumbler) Support ONLY
	820116	1	Basket (tumbler) Support ONLY with Rotational Sensor Option
9	152011	8	1/2-13 Hex Nut
10	153026	8	1/2" Lock Washer
11	153011	8	9/16" Flat Washer
12	116006	1	Felt Collar ONLY
	401010	1	#847 Adhesive for Felt Collar (5 oz. tube)
13	821002	1	Rotational Magnet Holder Assembly (for microprocessor models with optional rotational sensor)

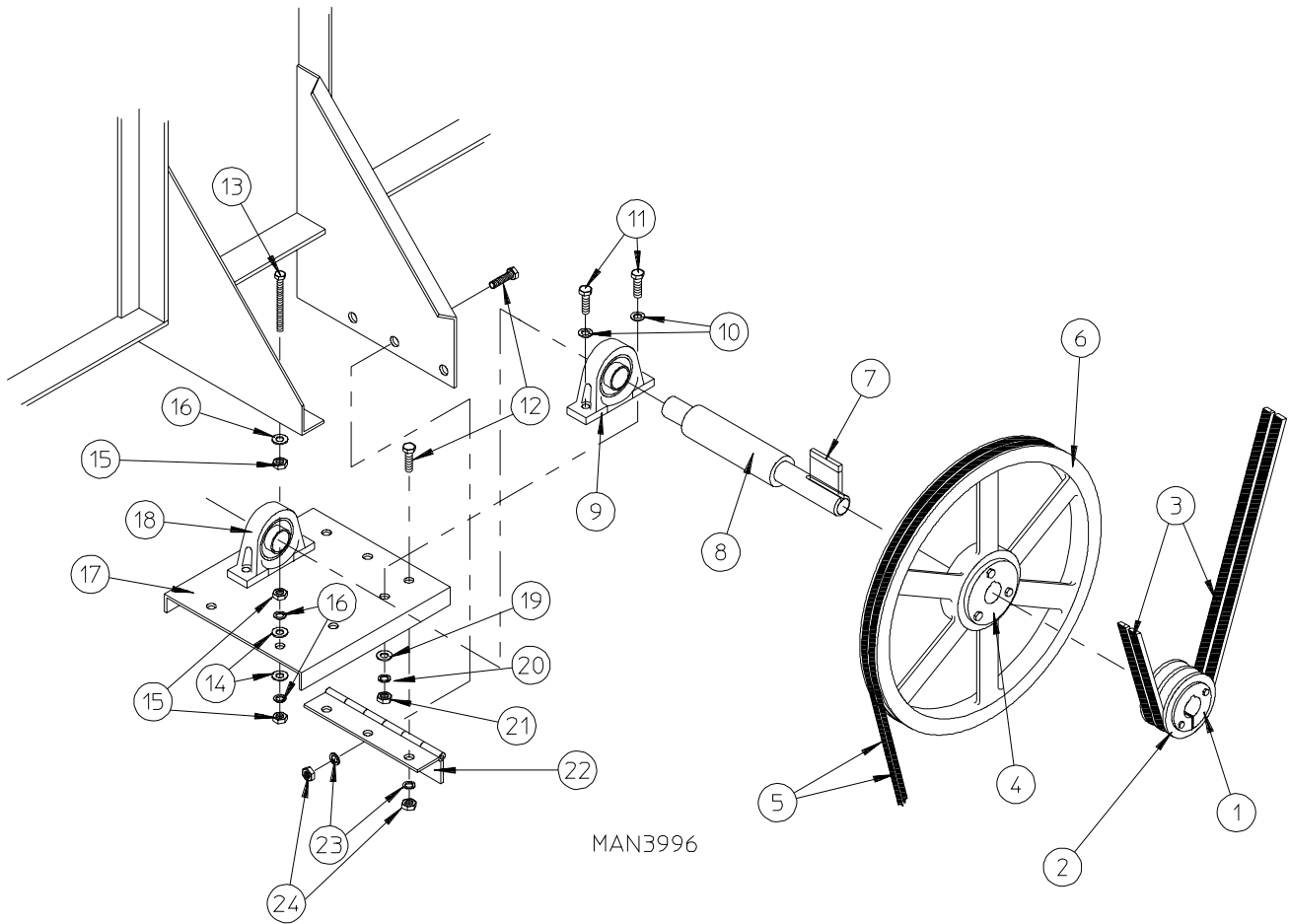
* Felt collar *is not included* and **must be** ordered separately.

** As required.



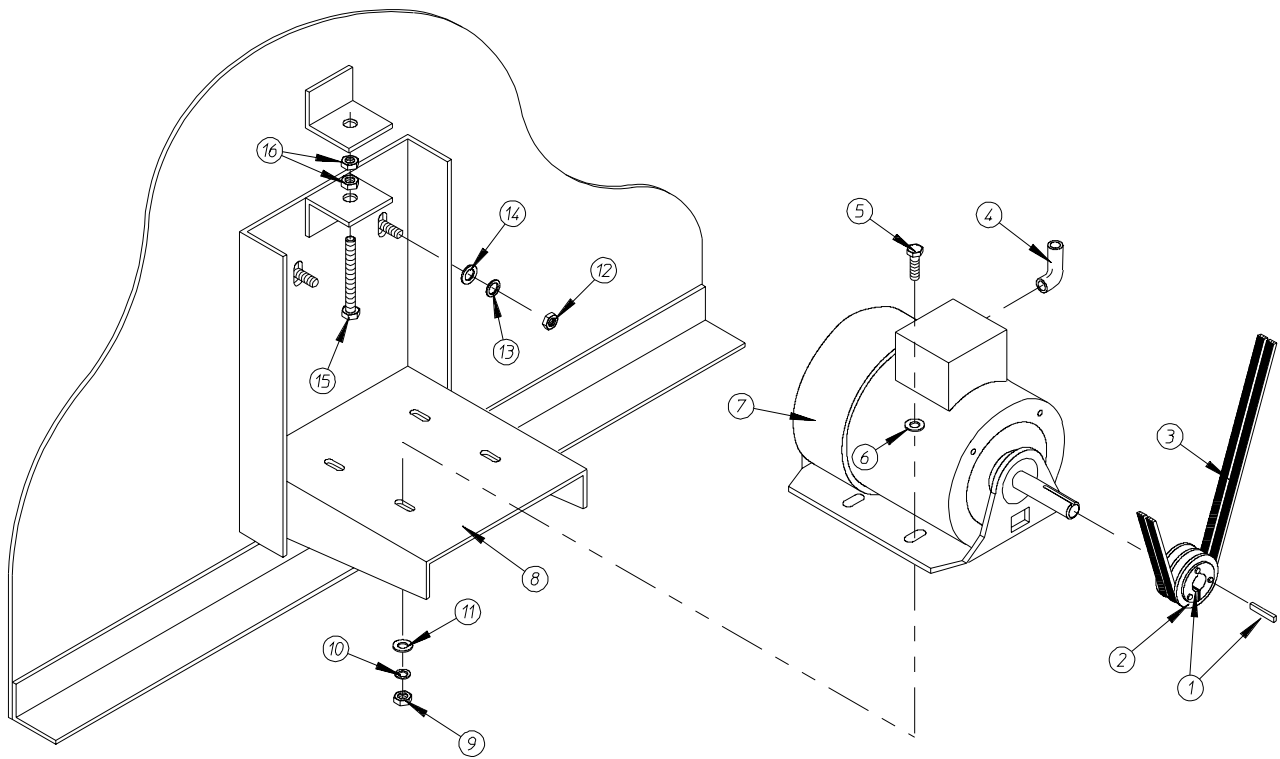
<u>Illus. No.</u>	<u>Part No.</u>	<u>Qty.</u>	<u>Description</u>
1	101137	1	2-1/4" SFX Bushing
2*	100135	2	AP-74 V-Belt
3	101136	1	20" Basket (tumbler) Pulley
4	150602	4	5/8-11 x 3" Hex Head Machine Bolt
5	153016	4	5/8" Flat Washer
6	880204	1	2-1/4" Pillow Block Bearing ONLY
7	153016	4	5/8" Flat Washer
8	153015	4	5/8" Lock Washer
9	152010	4	5/8-11 Hex Nut
10	150600	2	3/8-16 x 1-1/2" Hex Head Machine Bolt
11	152005	2	3/8-16 Hex Nut
12	801102	1	Basket (tumbler) Bearing Mount Assembly (includes illus. nos. 4 through 13)
13	880204	1	2-1/4" Pillow Block Bearing ONLY
14	150603	2	1/2-13 x 3" Square Head Machine Bolt
15	152011	2	1/2-13 Hex Nut
16	152005	2	3/8-16 Hex Nut
17	153005	2	3/8" Lock Washer
18	153004	4	3/8" Flat Washer
19	150600	2	3/8-16 x 1-1/2" Hex Head Machine Bolt
20	153004	2	3/8" Flat Washer
21	100801	2	5/8" Retaining Ring
22	301810	1	5/8" Hinge Pin
23	100811	2	2-1/4" Retaining Ring
24	153018	2	1/4" Flat Washer
25	153007	2	1/4" Lock Washer
26	150512	2	1/4-20 x 1/2" Hex Head Machine Bolt
27	824807	1	Rotational Sensor Assembly
28	880841	1	Rotational Sensor Mounting Bracket

* Replace in matched sets (both belts).



<u>Illus. No.</u>	<u>Part No.</u>	<u>Qty.</u>	<u>Description</u>
1	101110	1	1" Bushing
2	101113	1	2A3.0 Pulley
3*	100135	1	AP-74 V-Belt
4	101107	1	1" SK Bushing
5*	100170	1	3V-710 V-Belt
6	101112	1	19" Idler Pulley
7	100715	1	1/4" x 1/4" x 4-5/8" Key
8	301852	1	1" Idler Shaft ONLY
9	880205	1	1" Pillow Block Bearing ONLY
10	153004	4	3/8" Flat Washer
11	150600	4	3/8-16 x 1-1/2" Hex Head Machine Bolt
12	150512	6	1/4-20 x 1/2" Hex Head Machine Bolt
13	150509	2	5/16-18 x 3" Hex Head Machine Bolt
14	153001	4	5/16" Flat Washer
15	152004	6	5/16" Hex Nut
16	153002	8	5/16" Lock Washer
17	801001	1	Idler Bearing Mount Assembly Complete (includes illus. nos. 8 through 11 and 17 through 24)
	311401	1	Idler Bearing Mount ONLY
18	880205	1	1" Pillow Block Bearing ONLY
19	153004	4	3/8" Flat Washer
20	153005	4	3/8" Lock Washer
21	152005	4	3/8-16 Hex Nut
22	103005	1	Idler Adjustment Hinge ONLY
23	153007	6	1/4" Lock Washer
24	152002	6	1/4-20 Hex Nut

* Replace in matched sets (both belts).



MAN0329

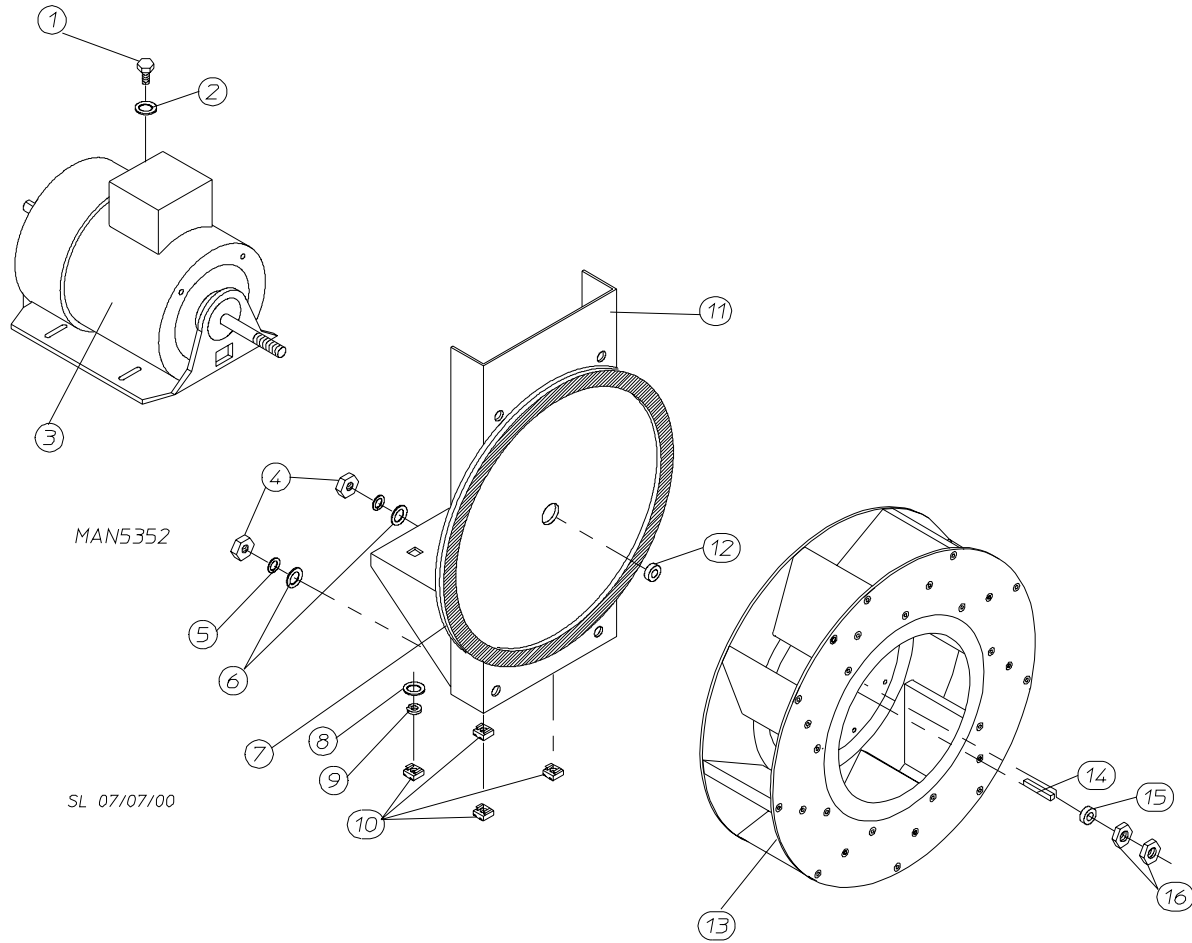
<u>Illus. No.</u>	<u>Part No.</u>	<u>Qty.</u>	<u>Description</u>
1	101121	1	5/8" SK Bushing
2	101114	1	2.65" Pulley (for 60 Hz models Only)
	101120	1	3.15" Pulley (for 50 Hz models Only)
3*	100170	1	3V-710 V-Belt
4	120200	1	3/8" x 90° Connector
5	150501	4	5/16-18 x 3/4" Hex Head Machine Bolt
6	153001	4	5/16" Flat Washer
7	100029	1	3/4 hp 208/230/460v 3ø 50/60 Hz and 380v 3ø 50 Hz Totally Enclosed, Fan-Cooled (T.E.F.C.) Motor (56Z frame)
	100084	1	3/4 hp 380v 3ø 60 Hz Totally Enclosed, Fan-Cooled (T.E.F.C.) Motor (56Z frame)
8	800952	1	Basket (tumbler) Motor Mount ONLY (56Z frame)
	800953**	1	3/4 hp 208/230/460v 3ø 60 Hz Basket (tumbler) Motor Mount Assembly Complete (includes illus. nos. 1, 2, 4 through 11, 15, and 16)
	800955**	1	3/4 hp 208/230/380/460v 3ø 50 Hz Basket (tumbler) Motor Mount Assembly Complete (includes illus. nos. 1, 2, 4 through 11, 15, and 16)
	800956**	1	3/4 hp 380v 3ø 60 Hz Basket (tumbler) Motor Mount Assembly Complete (includes illus. nos. 1, 2, 4 through 11, 15, and 16)
9	152004	4	5/16-18 Hex Nut
10	153002	4	5/16" Lock Washer
11	153001	4	5/16" Flat Washer
12	152004	4	5/16-18 Hex Nut
13	153002	4	5/16" Lock Washer
14	153001	4	5/16" Flat Washer
15	150619	1	3/8-16 x 3" Hex Head Machine Bolt
16	152005	2	3/8-16 Hex Nut

* Replace in matched sets (both belts).

** Specify voltage when ordering.

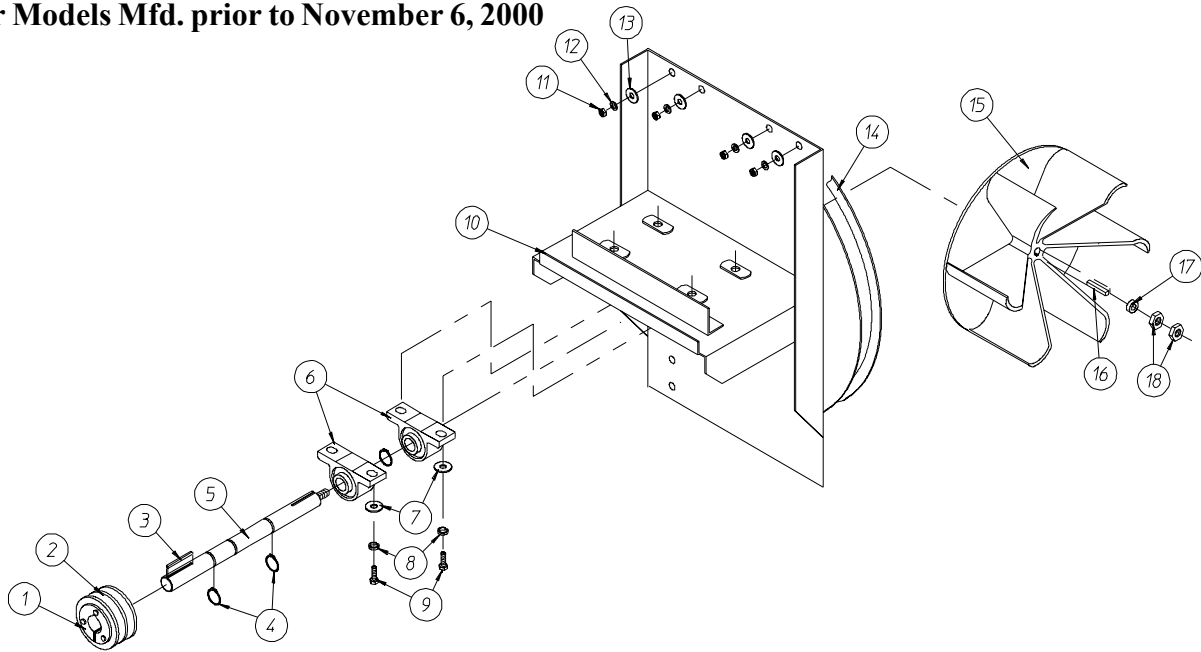
IMPORTANT: For voltages higher than 460 VAC, contact the ADC factory for correct part number of motor mount assembly.

For Models Mfd. as of July 17, 2000



<u>Illus. No.</u>	<u>Part No.</u>	<u>Qty.</u>	<u>Description</u>
1	150501	4	5/16-18 x 1" Hex Head Bolt
2	153001	4	5/16" Flat Washer
3	181043	1	3 hp Motor 208/230/460/416v 50 Hz
	100022	1	3 hp Motor 380v 3ø 60 Hz
	100088	1	3 hp Motor 575v 3ø 60 Hz
4	152004	4	5/16-18 Hex Nut
5	153002	4	5/16" Lock Washer
6	153001	4	5/16" Flat Washer
7	117604	4'	Noise Suppressor Tape (sold by the foot)
8	153001	4	5/16" Flat Washer
9	153002	4	5/16" Lock Washer
10	152004	4	5/16-18 Hex Nut
11	803561	1	Blower Motor Mount
12	153055	1	5/8" Motor Washer
13	802027	1	16" Riveted High Flow Impellor 7/8" Bore (60 Hz dryers)
	802024	1	16" Riveted Impellor 7/8" Bore (50 Hz dryers)
14	100705	1	3/16" x 3/16" x 1-3/8" Key
15	153055	1	5/8" Motor Washer
16	152006	2	1/2-20 Left Hand Jam Nut

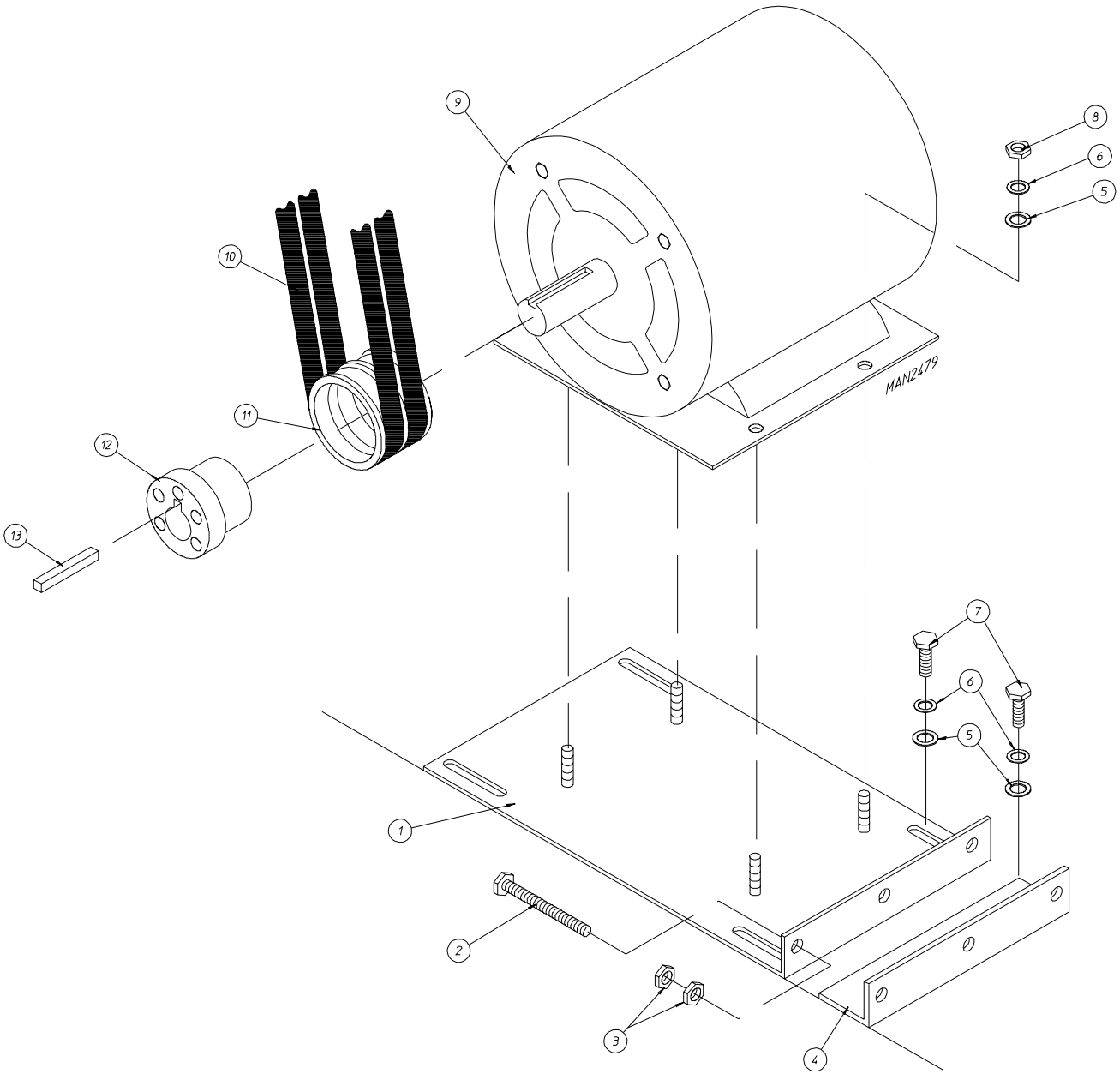
For Models Mfd. prior to November 6, 2000



MAN2931

Illus. No.	Part No.	Qty.	Description
1	101194	1	SDS x 1-3/8" Bushing (for 60 Hz models Only)
	101152	1	SH x 1-3/8" Bushing (for 50 Hz models Only)
2	101147	1	2B x 4.8 Pulley (for 60 Hz models Only)
	101148	1	2B x 4.0 Pulley (for 50 Hz models Only)
3	100706	1	5/16" x 5/16" x 1-3/8" Key
4	100811	2	Retaining Ring
5	317400	1	Impellor Shaft
6	880879	2	1-3/8" Pillow Block Bearing with Setscrews and Grease Fitting
	154326	4	5/16 x 3/8" Allen Setscrew ONLY
	170512	2	1/4-28 N.P.T. Grease Fitting ONLY
7	153004	4	3/8" Flat Washer
8	153005	4	3/8" Lock Washer
9	150601	4	3/8-16 x 2" Hex Head Machine Bolt
10	813002	1	Impellor Shaft Mount ONLY
	813023	1	Impellor Assembly Complete (for 60 Hz models Only) (includes illus. nos. 1 through 9 and 13 through 17)
	813024	1	Impellor Assembly Complete (for 50 Hz models Only) (includes illus. nos. 1 through 9 and 13 through 17)
11	152005	8	3/8-16 Hex Nut
12	153005	8	3/8" Lock Washer
13	153004	8	3/8" Flat Washer
14	117604	4	Neoprene Sponge Tape (sold by the foot)
15	100603	1	16" Impellor with 3/4" Bore
16	100714	1	3/16" x 3/16" x 1-7/8" Key
17	153065	1	1/2" x 1-1/2" Flat Washer (for models mfd. as of May 19, 1998)
	153050	1	1/2" x 1-1/16" Flat Washer (for models mfd. prior to May 19, 1998)
18	152006	2	1/2-20 Left Hand Jam Nut

For Gas Models Mfd. prior to November 6, 2000

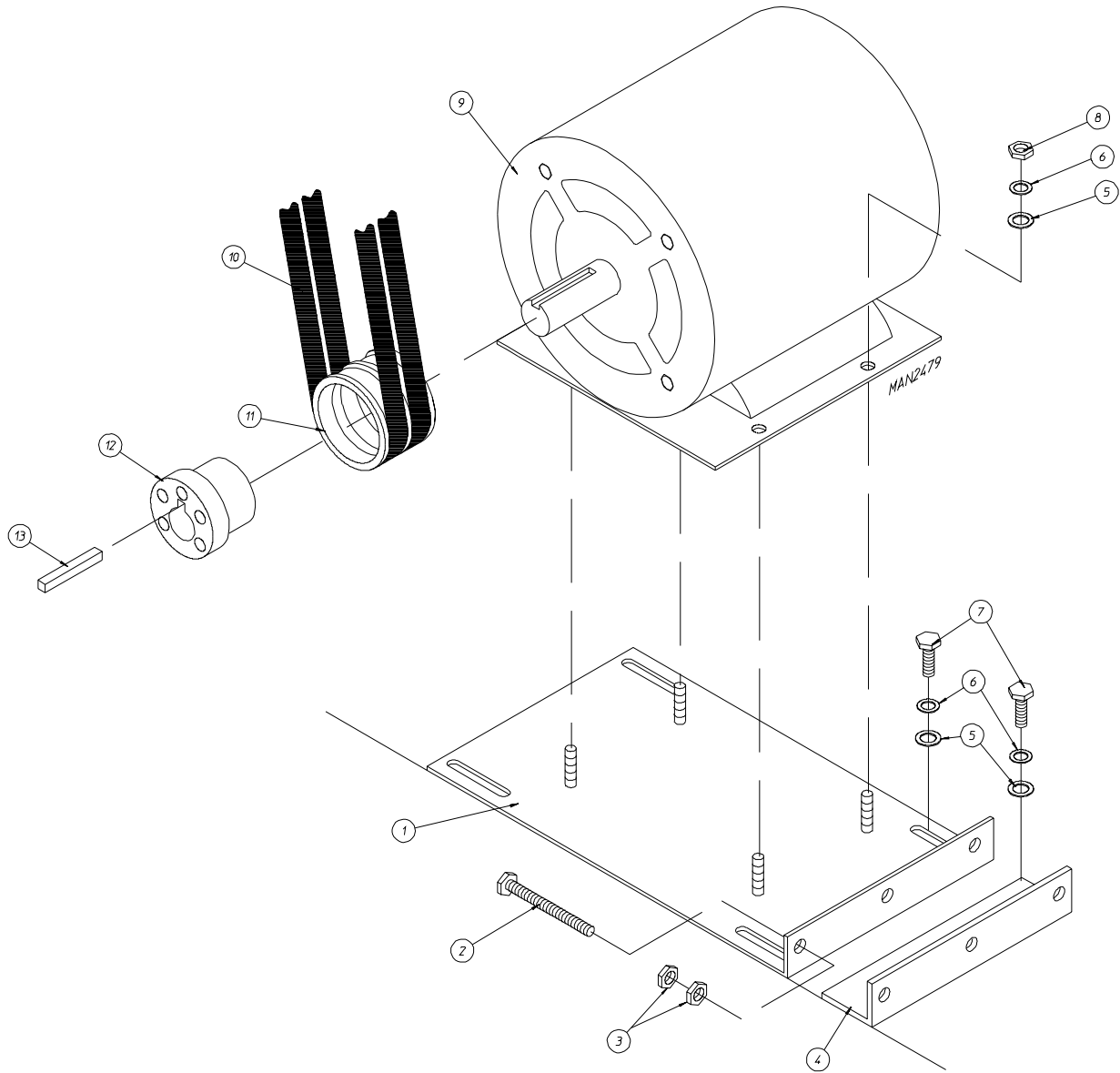


For Gas Models Mfd. prior to November 6, 2000

<u>Illus. No.</u>	<u>Part No.</u>	<u>Qty.</u>	<u>Description</u>
1	802253	1	Adjustable Plate Assembly (for models mfd. as of July 20, 1998)
	802229	1	Adjustable Plate Assembly (for models mfd. prior to July 20, 1998)
	813025	1	Blower Motor Mount Assembly Complete (includes illus. nos. 1 through 13) For 208-230/460 Volt - 60 Hz and 380/460 Volt - 50 Hz Models ONLY
	813049	1	Blower Motor Mount Assembly Complete (includes illus. nos. 1 through 13) For 380 Volt/60 Hz Models ONLY
2	152034	2	3/8-16 x 3-1/2" Hex Head Bolt
3	152005	4	3/8-16 Hex Nut
4	802232	1	Adjustable Angle Assembly
5	153001	11	5/16" Flat Washer
6	153002	11	5/16" Lock Washer
7	150501	7	5/16-18 x 3/4" Hex Head Machine Bolt
8	152004	4	5/16-18 Hex Nut
9	882078	1	3 hp Blower Motor with Adjusting Plate (for 208-230/460 volt - 60 Hz and 380/460 volt - 50 Hz models Only)
	100043	1	3 hp Blower Motor (for 208-230/460 volt - 60 Hz and 380-416 volt - 50 Hz models Only) For Models Mfd. as of January 7, 1999
	100081	1	3 hp Blower Motor (for 380 volt/60 Hz models Only) For Models Mfd. prior to January 7, 1999
10*	100169	1	5L-350 V-Belt
11	101135	1	2B x 5.4 Motor Pulley
12	101138	1	SDS x 1-1/8" Bore Bushing
13	100706	1	5/16" x 5/16" x 1-3/8" Key

* Replace in matched sets (both belts).

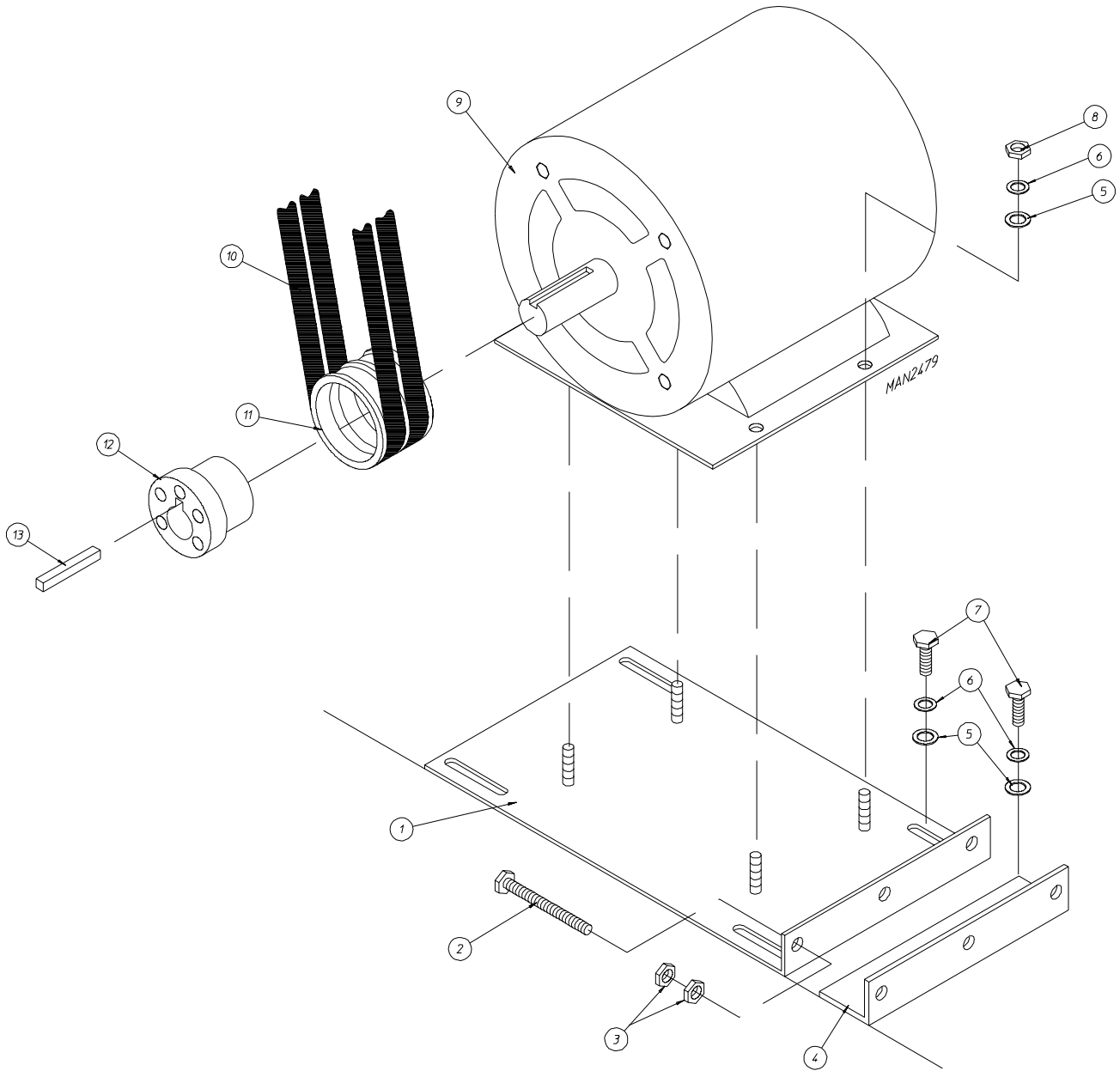
For Electric Models Mfd. prior to November 6, 2000



For Electric Models Mfd. prior to November 6, 2000

<u>Illus. No.</u>	<u>Part No.</u>	<u>Qty.</u>	<u>Description</u>
1	802253	1	Adjustable Plate Assembly (for models mfd. as of July 20, 1998)
	802229	1	Adjustable Plate Assembly (for models mfd. prior to July 20, 1998)
	813028	1	60 kW Electric Blower Motor Mount Assembly Complete (includes illus. nos. 1 through 13) For 208-230/460 Volt - 60 Hz and 380/460 Volt - 50 Hz Models ONLY
	813052	1	60 kW Electric Blower Motor Mount Assembly Complete (includes illus. nos. 1 through 13) For 380 Volt/60 Hz ONLY
	813025	1	72 kW Electric Blower Motor Mount Assembly Complete (includes illus. nos. 1 through 13) For 208-230/460 Volt - 60 Hz and 380/460 Volt - 50 Hz Models ONLY
	813049	1	72 kW Electric Blower Motor Mount Assembly Complete (includes illus. nos. 1 through 13) For 380 Volt/60 Hz Models ONLY
	813070	1	80 kW Electric Blower Motor Mount Assembly Complete (includes illus. nos. 1 through 13) For 208-230/460 Volt - 60 Hz and 380-416 Volt - 50 Hz Models ONLY (for models mfd. as of November 2, 1998)
	813027	1	80 kW Electric Blower Motor Mount Assembly Complete (includes illus. nos. 1 through 13) For 208-230/460 Volt - 60 Hz and 380/460 Volt - 50 Hz Models ONLY (for models mfd. prior to November 2, 1998)
	813051	1	80 kW Electric Blower Motor Mount Assembly Complete (includes illus. nos. 1 through 13) For 380 Volt/60 Hz Models ONLY
2	152034	2	3/8-16 x 3-1/2" Hex Head Machine Bolt
3	152005	4	3/8-16 Hex Nut
4	802232	1	Adjustable Angle Assembly
5	153001	11	5/16" Flat Washer
6	153002	11	5/16" Lock Washer
7	150501	7	5/16-18 x 3/4" Hex Head Machine Bolt
8	152004	4	5/16-18 Hex Nut
9	882078	1	3 hp Blower Motor with Adjusting Plate (for 208-230/460 volt - 60 Hz and 380/460 volt - 50 Hz models Only)
	100043	1	3 hp Blower Motor (for 208-230/460 volt - 60 Hz and 380-416 volt - 50 Hz models Only) For Models Mfd. as of January 7, 1999
	100081	1	3 hp Blower Motor (for 380 volt/60 Hz models Only) For Models Mfd. prior to January 7, 1999
10*	100156	1	5L-330 V-Belt (for 60 kW electric oven models Only)
	100169	1	5L-350 V-Belt (for 72 kW electric oven models Only)
	100168	1	5L-360 V-Belt (for 80 kW electric oven models Only)
11	101147	1	2B x 4.8 Motor Bushing (for 60 kW electric oven models Only)
	101135	1	2B x 5.4 Motor Bushing (for 72 kW electric oven models Only)
	101185	1	2B x 6.2 Motor Bushing (for 80 kW electric oven models Only)
12	101138	1	SDS x 1-1/8" Bore Bushing
13	100706	1	5/16" x 5/16" x 1-3/8" Key

For Steam Models Mfd. prior to November 6, 2000

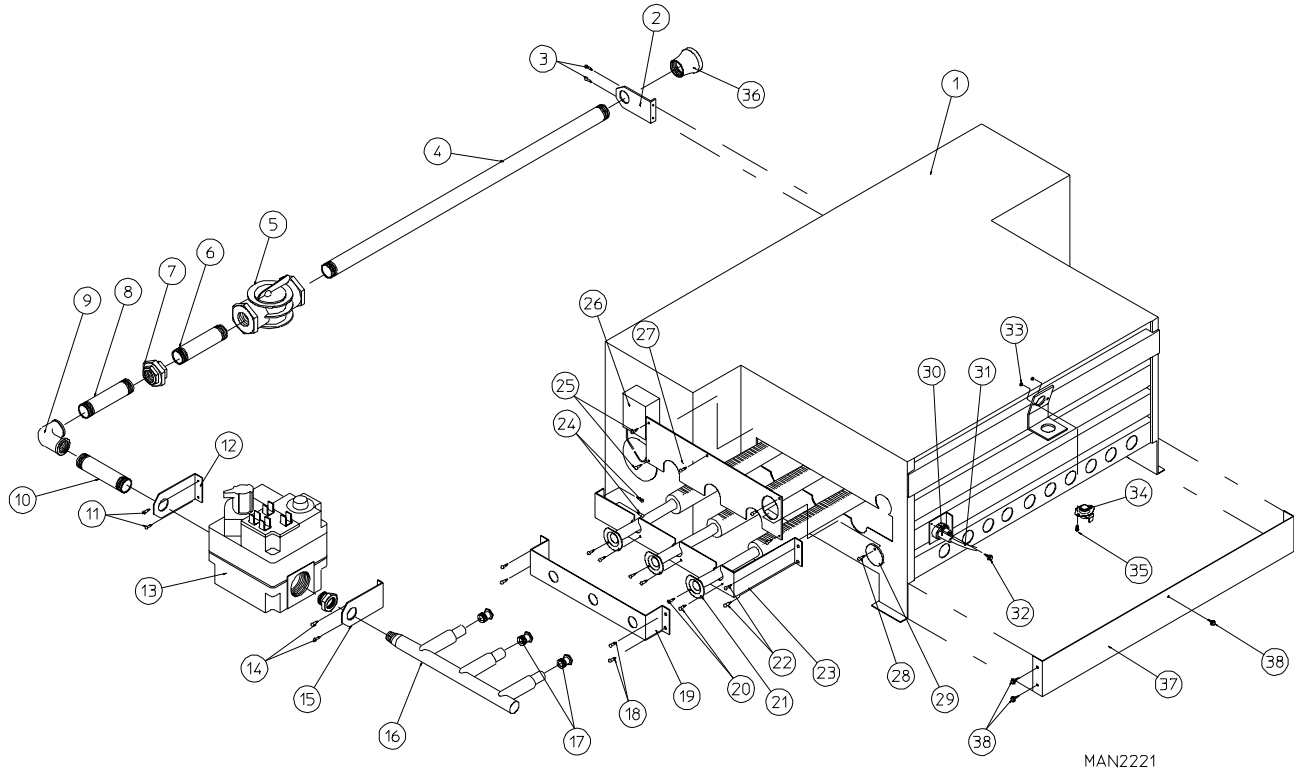


For Steam Models Mfd. prior to November 6, 2000

<u>Illus. No.</u>	<u>Part No.</u>	<u>Qty.</u>	<u>Description</u>
1	802253	1	Adjustable Plate Assembly (for models mfd. as of July 20, 1998)
	802229	1	Adjustable Plate Assembly (for models mfd. prior to July 20, 1998)
	813069	1	Blower Motor Mount Assembly Complete (includes illus. nos. 1 through 13) For 380-416 Volt/50 Hz Models ONLY (for models mfd. as of November 2, 1998)
	813026	1	Blower Motor Mount Assembly Complete (includes illus. nos. 1 through 13) For 208-230/460 Volt - 60 Hz and 380/460 Volt - 50 Hz Models ONLY (for models mfd. as of November 2, 1998)
	813069	1	Blower Motor Mount Assembly Complete (includes illus. nos. 1 through 13) For 380-416 Volt/50 Hz Models ONLY (for models mfd. as of January 7, 1999)
	813050	1	Blower Motor Mount Assembly Complete (includes illus. nos. 1 through 13) For 380 Volt/60 Hz Models ONLY (for models mfd. prior to January 7, 1999)
2	152034	2	3/8-16 x 3-1/2" Hex Head Bolt
3	152005	4	3/8-16 Hex Nut
4	802232	1	Adjustable Angle Assembly
5	153001	11	5/16" Flat Washer
6	153002	11	5/16" Lock Washer
7	150501	7	5/16-18 x 3/4" Hex Head Machine Bolt
8	152004	4	5/16-18 Hex Nut
9	882078	1	3 hp Blower Motor with Adjusting Plate (for 208-230/460 volt - 60 Hz and 380/460 volt - 50 Hz models Only)
	100043	1	3 hp Blower Motor (for 208-230/460 volt - 60 Hz and 380-416 volt - 50 Hz models Only) For Models Mfd. as of January 7, 1999
	100081	1	3 hp Blower Motor (for 380 volt/60 Hz models Only) For Models Mfd. prior to January 7, 1999
10*	100168	1	5L-360 V-Belt
11	101185	1	2B x 6.2 Motor Bushing
12	101138	1	SDS x 1-1/8" Bore Bushing
13	100706	1	5/16" x 5/16" x 1-3/8" Key

* Replace in matched sets (both belts).

For Gas Models ONLY



<u>Illus. No.</u>	<u>Part No.</u>	<u>Qty.</u>	<u>Description</u>
1	880874*	1	Direct Spark Ignition (DSI) Natural Gas Burner Assembly Complete Less Orifices (includes illus. nos. 1 through 16 and 18 through 36)
	880875*	1	Direct Spark Ignition (DSI) Liquid Propane (L.P.) Gas Burner Assembly Complete Less Orifices (includes illus. nos. 1 through 16 and 18 through 38)
	820201	1	Burner Box ONLY
2	331291	1	Pipe Bracket
3	150309	2	#10-16 x 1/2" Hex Head TEK Crimptite Screw
4	142813	1	3/4" x 32-1/2" Pipe
5	141300	1	3/4" Union Shut-off
6	142701	1	3/4" Closed Nipple
7	142601	1	3/4" Union
8	142710	1	3/4" x 4" Nipple
9	142504	1	3/4" x 90° Elbow
10	142734	1	3/4" x 5 1/2" Nipple
11	150413	2	#10-16 x 1/2" TORX Crimptite Screw
12	331291	1	Gas Valve Pipe Bracket
13	140026	1	3/4" Direct Spark Ignition (DSI) 24 VAC Redundant (natural gas) Gas Valve (3/4" to 1/2" reducing bushing included with gas valve)
	140411	-	24 VAC Gas Valve Liquid Propane (L.P.) Conversion Kit
14	150309	2	#10-16 x 1/2" Hex Head TEK Crimptite Screw
15	331291	1	Gas Valve Pipe Bracket
16	141208	1	3-Port Manifold

For Gas Models ONLY

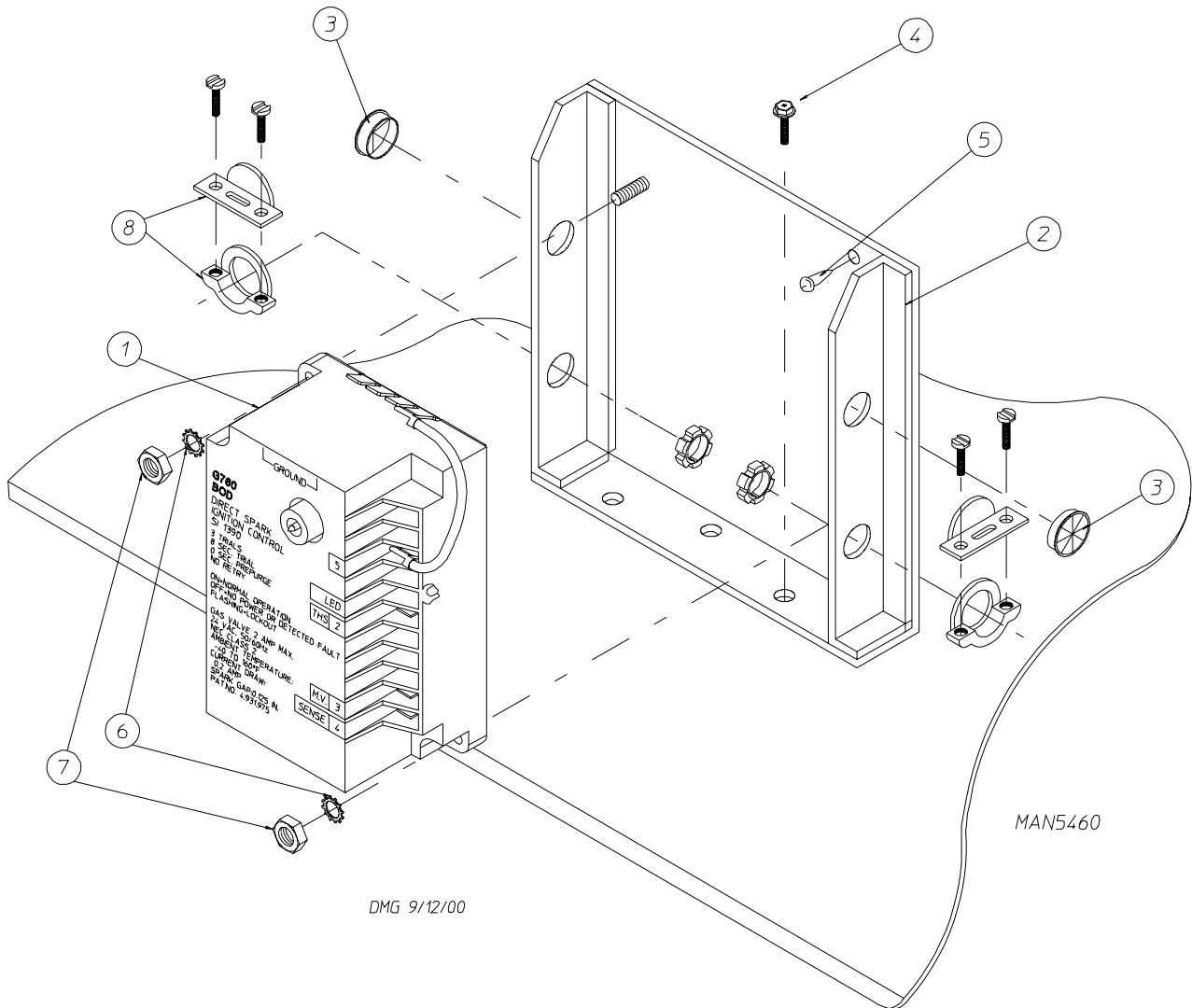
<u>Illus. No.</u>	<u>Part No.</u>	<u>Qty.</u>	<u>Description</u>
17**	140832	3	#4 Burner Orifice (natural gas) ONLY
	140819	3	#30 Burner Orifice (liquid propane [L.P.] gas) ONLY
18	150309	4	#10-16 x 1/2" Hex Head TEK Crimptite Screw
19	331288	1	Manifold Support ONLY
20	150309	6	#10-16 x 1/2" Hex Head TEK Crimptite Screw
21	141110	3	Burner Tube ONLY
22	150309	2	#10-16 x 1/2" Hex Head TEK Crimptite Screw
23	331287	1	Burner Tube Support ONLY
24	150309	2	#10-16 x 1/2" Hex Head TEK Crimptite Screw
25	150309	6	#10-16 x 1/2" Hex Head TEK Crimptite Screw
26	-----	1	Sail Switch (refer to Sail Switch Assembly on page 48)
27	331289	1	Burner Box Cover Plate ONLY
28	150413	1	#10-16 x 1/2" Phillips Round Head Screw
29	331290	1	Ignitor/Flame-Probe Sight Hole Disc ONLY
30	880325	1	PSE Ignitor Assembly Kit
	305410	1	Direct Spark Ignition (DSI) Ignitor Gap Feeler Gauge, Not Illustrated
31	880330	1	Direct Spark Ignition (DSI) Ignitor High Voltage (HV) Wire/Connector ONLY
32	150413	2	#10-16 x 1/2" Phillips Round Head Screw
33	151000	2	#6-32 Pal Nut
34	130201****	1	330° Hi-Limit Small Manual Reset Thermostat ONLY (for models mfd. as of May 26, 1998)
	130401	1	330° Hi-Limit Thermostat ONLY (for models mfd. prior to May 26, 1998)
35	150001	2	#6-32 x 1/2" Round Head Machine Screw
36	142924	1	1" to 3/4" Reducing Coupling
	142937	1	1" BSPT x 3/4" N.P.T. Coupling (for CE models Only)
37***	332256	1	Liquid Propane (L.P.) Burner Baffle ONLY
38***	150309	5	#10-16 x 1/2" Hex Head TEK Crimptite Screw
---	880886**	1	Direct Spark Ignition (DSI) Liquid Propane (L.P.) Conversion Kit (with 3/4" White-Rodgers gas valve)

* Orifices *are not included* and **must be** ordered separately.

** Consult factory for elevations over 2,000 feet.

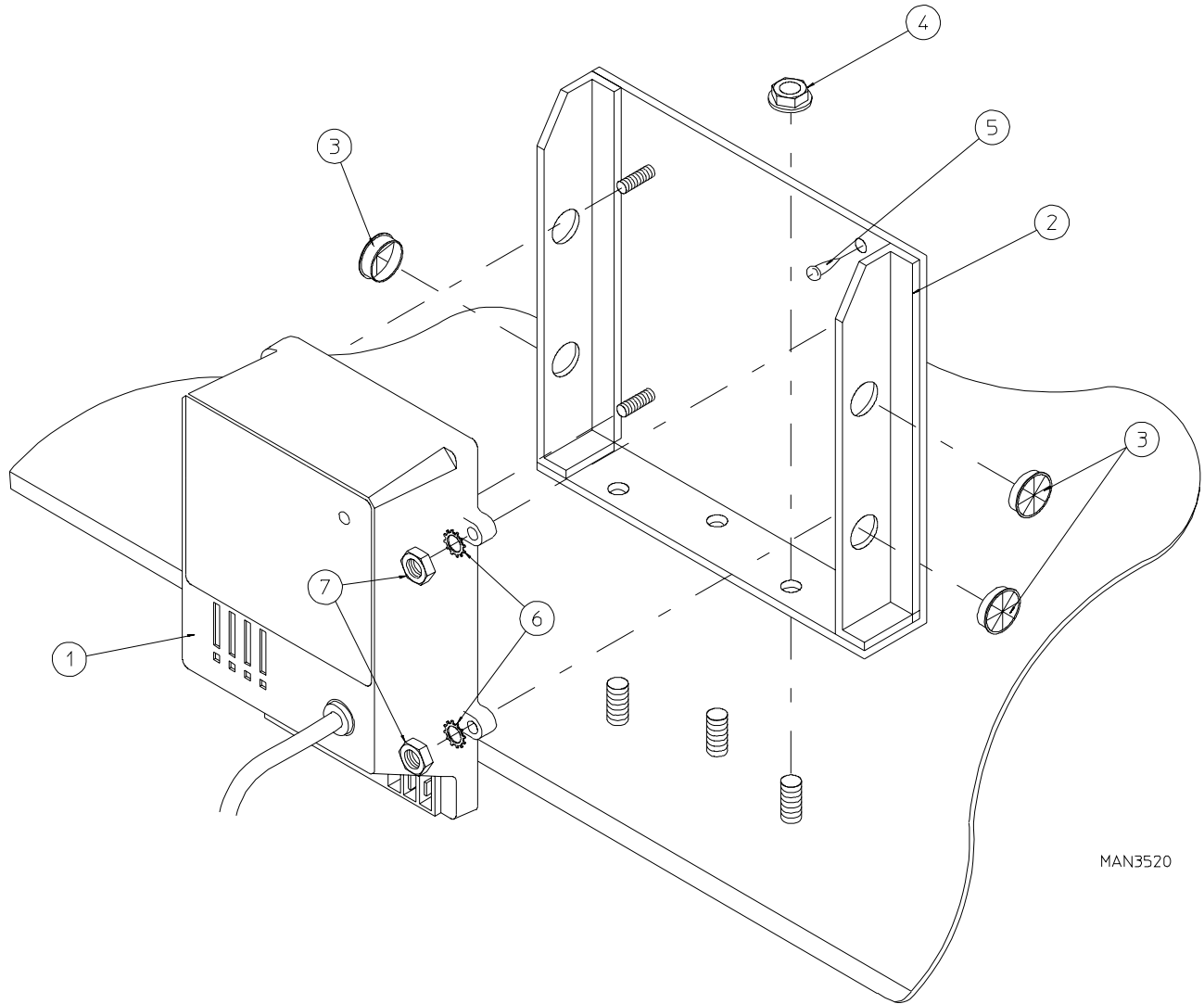
*** For liquid propane (L.P.) gas models ONLY.

**** **ADC** Part No. 130201 (330° Hi-Limit Small Manual Reset Thermostat) can and **should be** used in place of **ADC** Part No. 132401 (330° Hi-Limit Thermostat).



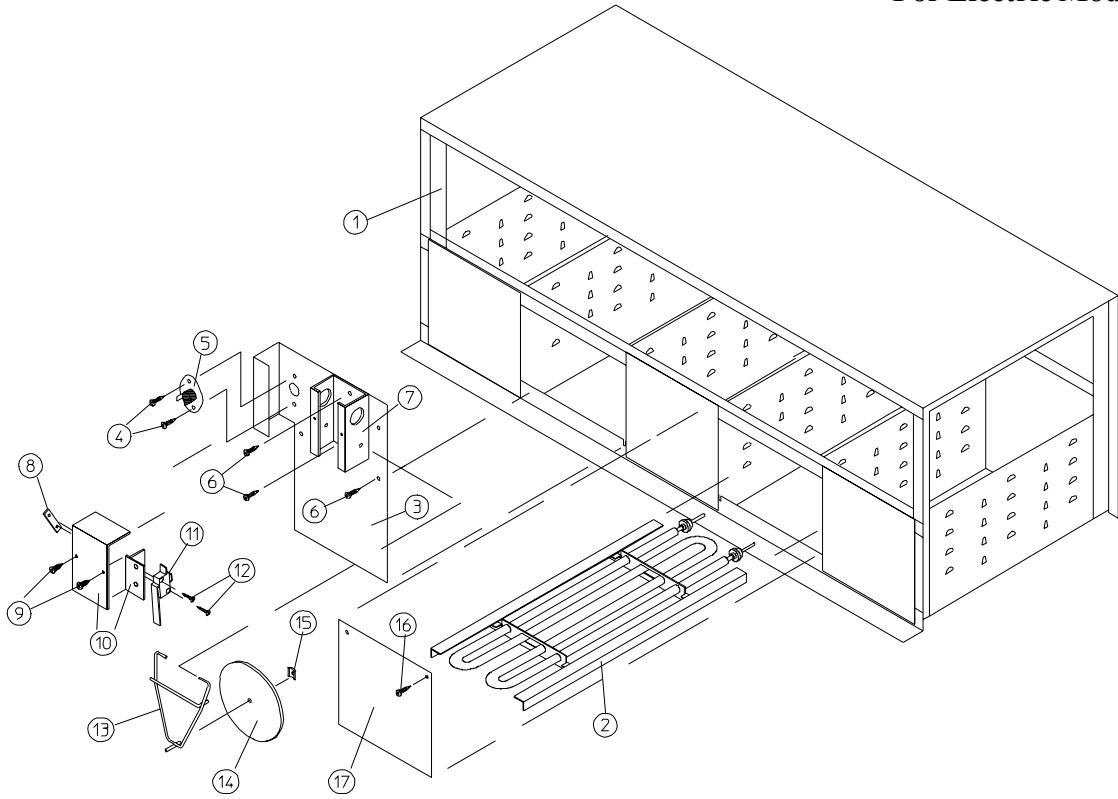
<u>Illus. No.</u>	<u>Part No.</u>	<u>Qty.</u>	<u>Description</u>
1	128935	1	Direct Spark Ignition (DSI) Module ONLY - 50/60 Hz (for models mfd. as of April 1, 2000)
2	820100	1	Direct Spark Ignition (DSI) Module Mount Assembly ONLY
3	121400	2	Universal Bushing
4	150522	3	1/4-20 x 1/2" Hex Head TEK Screw
5	150301	1	#8-18 x 7/16" Phillips Pan Head TEK Screw
6	153010	4	#6 Star Washer
7	152000	4	#6-32 Hex Nut
8	120102	2	3/8" Straight x 1/2" Knock-Out Connector

For Gas Models Mfd. prior to April 1, 2000

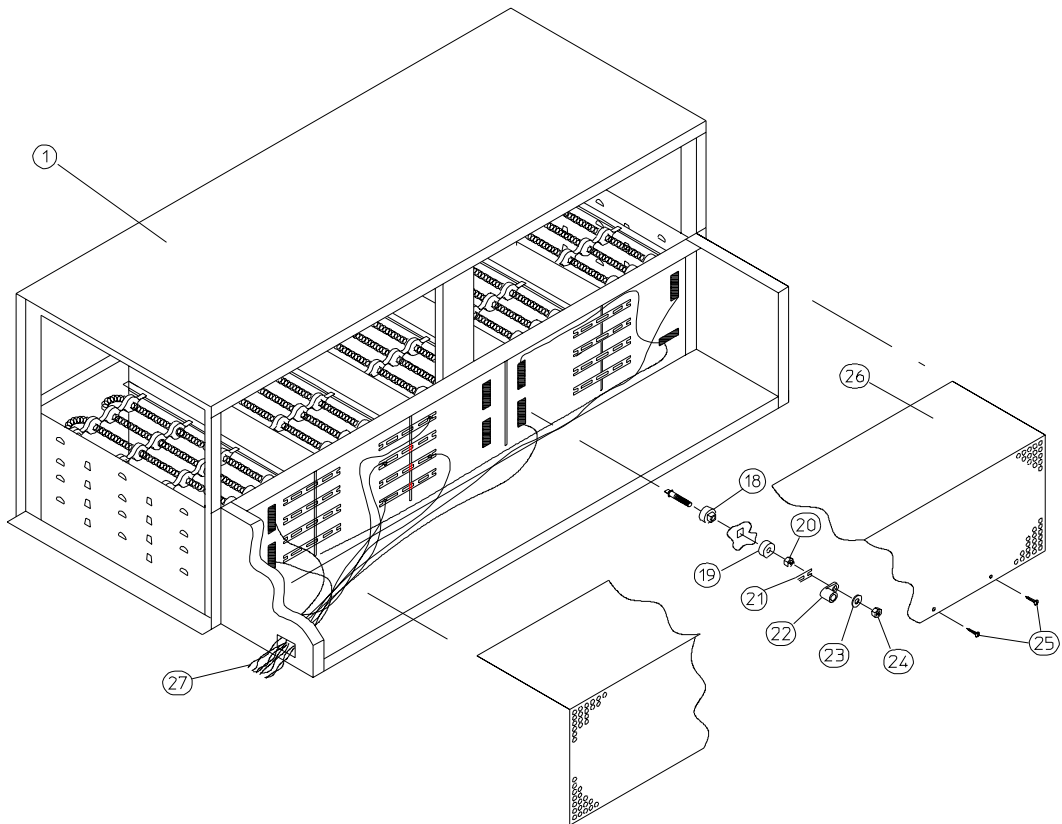


<u>Illus. No.</u>	<u>Part No.</u>	<u>Qty.</u>	<u>Description</u>
1	880815	1	ADC Direct Spark Ignition (DSI) Module ONLY - 50/60 Hz
2	820100	1	Direct Spark Ignition (DSI) Module Mount Assembly ONLY
3	121400	3	Universal Bushing
4	152014	3	1/3-20 Free Spin Wash Nut
5	150301	1	#8-18 x 7/16" Phillips Pan Head TEK Screw
6	153010	4	#6 Star Washer
7	152000	4	#6-32 Hex Nut

For Electric Models ONLY



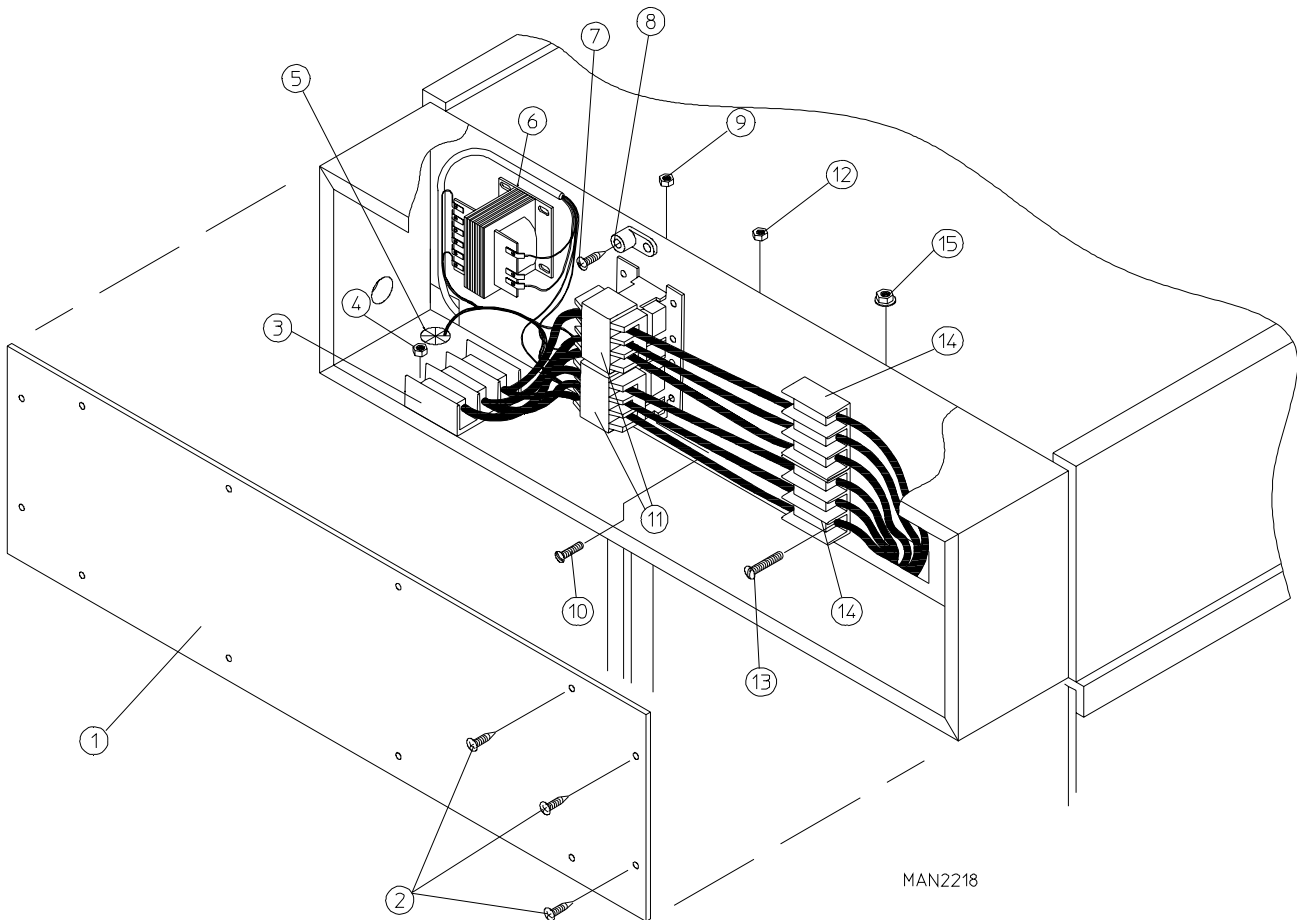
MAN1638



For Electric Models ONLY

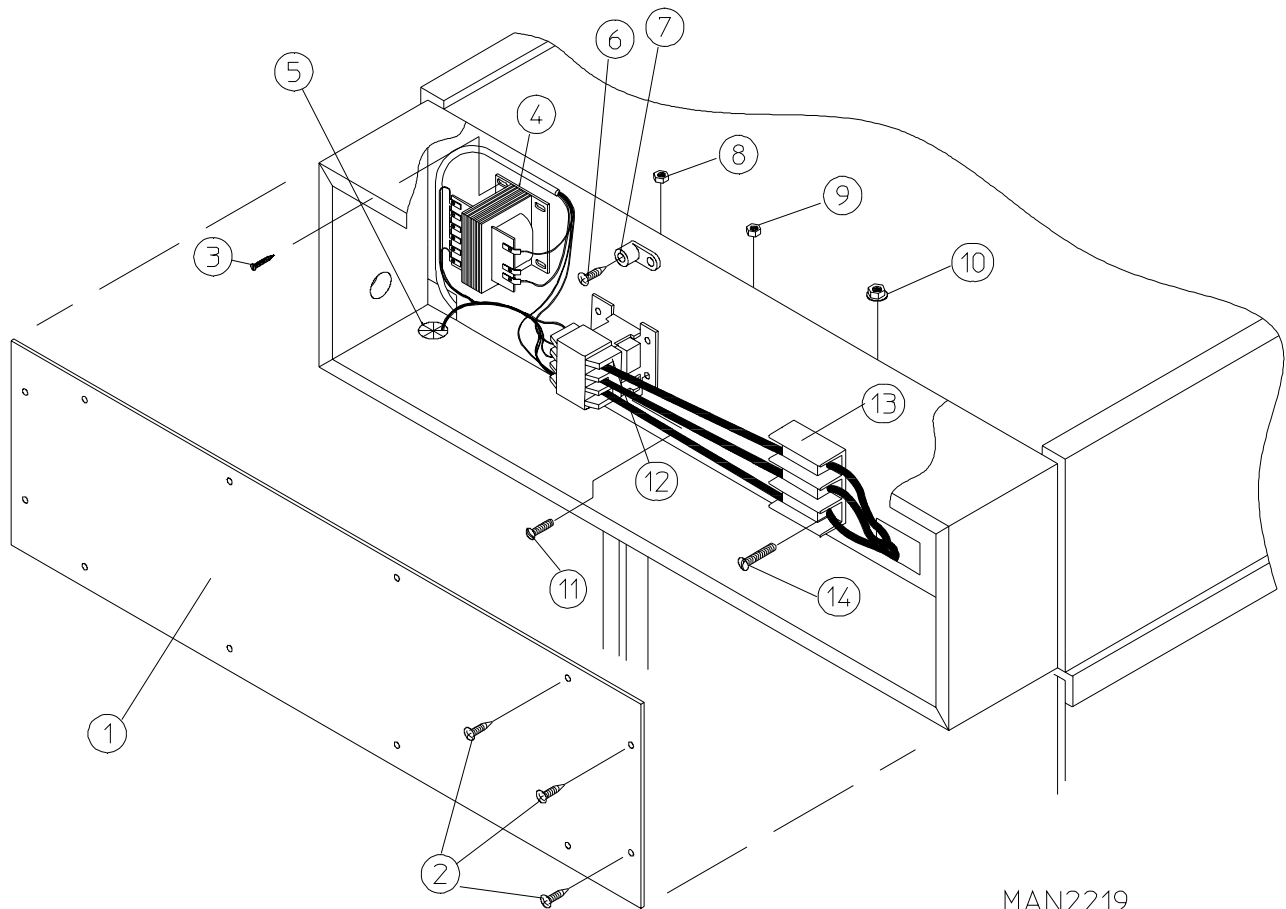
<u>Illus. No.</u>	<u>Part No.</u>	<u>Qty.</u>	<u>Description</u>
1	803015	1	Electric Oven Box ONLY (for models mfd. as of December 8, 1997)
	803002	1	Electric Oven Box ONLY (for models mfd. prior to December 8, 1997)
	-----*	1	Electric Oven Assembly Complete
2	-----*	18	Electric Element
3	802802	1	Safety Control Bracket ONLY
4	150301	2	#8-18 x 7/16" Phillips Pan Head TEK Screw
5	130400	1	290° Hi-Limit ONLY
6	150309	4	#10-16 x 1/2" Hex Head TEK Crimptite Screw
7	802800	1	Sail Switch Box with Cover and Bracket ONLY
	802801	1	Sail Switch Box Assembly Complete (includes illus. nos. 7 through 15)
8	154004	1	Twin Speed Nut
9	150309	2	#10-16 x 1/2" Hex Head TEK Crimptite Screw
10	802799	1	Sail Switch Box with Cover and Bracket ONLY
11	122200	1	Sail Switch ONLY
12	150303	2	#4 x 3/4" Pan Head "A" Machine Screw
13	105500	1	Sail Switch Actuator Rod
14	319202	1	Sail Switch Damper (flat)
15	154002	1	1/8" Push On Fastener
16	150413	8	#10-16 x 1/2" TORX Crimptite Screw
17	803101	4	Element Cover ONLY
18	120081	36	Internal Ceramic Insulator
19	120080	36	External Ceramic Insulator
20	152008	36	#10-32 Hex Nut
21	121011*	---	Bus Bar (sold by the foot)
22	121010*	---	Terminal Lug
23	153009	36	#10 Star Washer
24	152008	36	#10-32 Hex Nut
25	150413	14	#10-16 x 1/2" TORX Crimptite Screw
26	320823	1	Electric Wire Burner Cover ONLY (for models mfd. as of December 8, 1997)
	321400	1	Electric Wire Burner Cover ONLY (for models mfd. prior to December 8, 1997)
27	-----*	-	Oven Wire (sold by the foot)

* Refer to **Electric Oven Component Application Listing** on **page 54**.



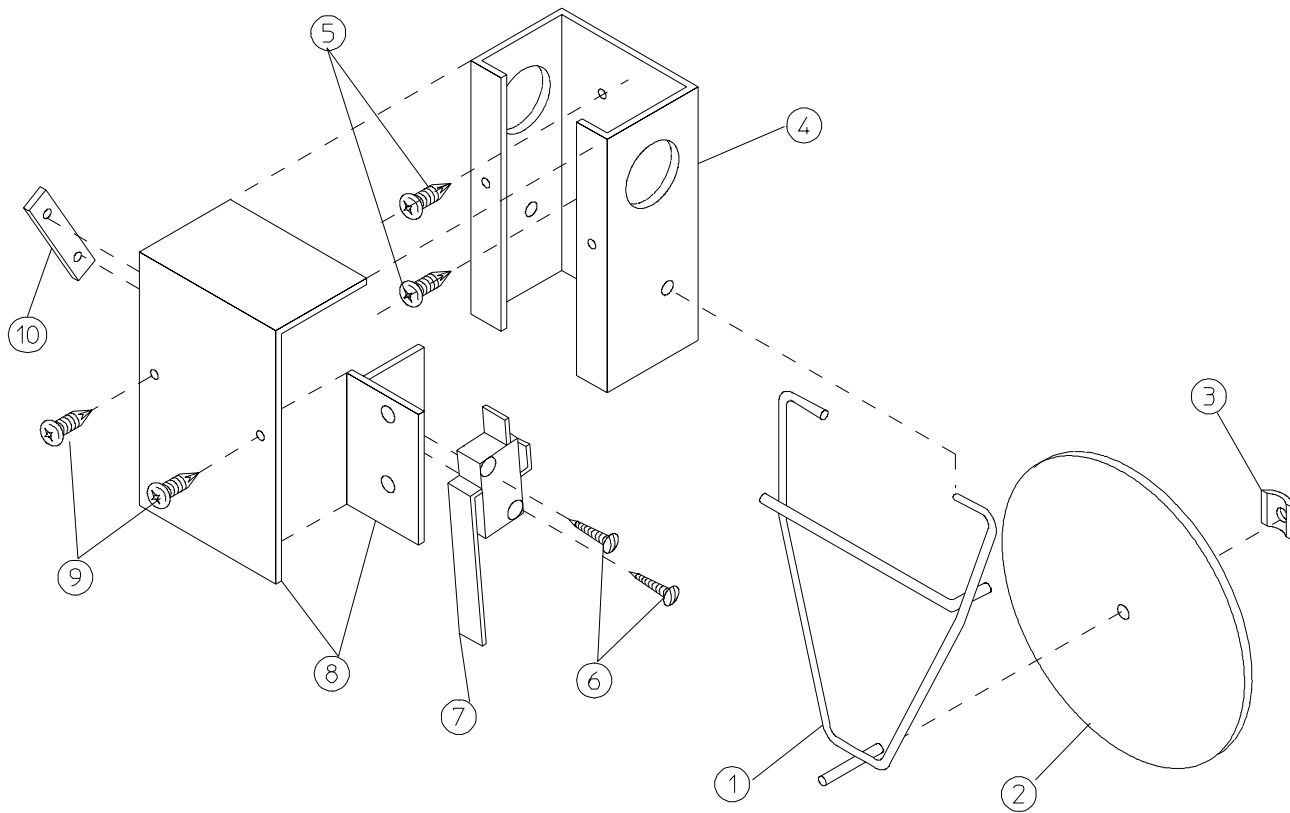
<u>Illus. No.</u>	<u>Part No.</u>	<u>Qty.</u>	<u>Description</u>
1	320902	1	Electric Oven Relay Box Cover
2	150301	12	#8-18 x 7/16" Phillips Pan Head TEK Screw
3	120710	1	Power Distribution Block
4	151001	2	#8-32 Pal Nut
5	121400	2	Universal Bushing
6	132004	1	Transformer
			(for ALL microprocessor controller [computer] models and timer models)
7	150108	3	#8-32 x 1/2" Pan Head Machine Screw
8	121010	1	L-70 Terminal Lug
9	151001	1	#8-32 Pal Nut
10	150108	1	#8-32 x 1/2" Pan Head Machine Screw
11	131385	2	Single-Pole Single Throw 112-amp - 24 VAC Relay
12	151001	3	#8-32 Pal Nut
13	150521	2	1/4-20 x 2" Carriage Bolt
14	120706	1	Power Distribution Block
15	152014	2	1/4-20 Free Spin Wash Nut

380-416/480 VAC 3ø 50/60 Hz



MAN2219

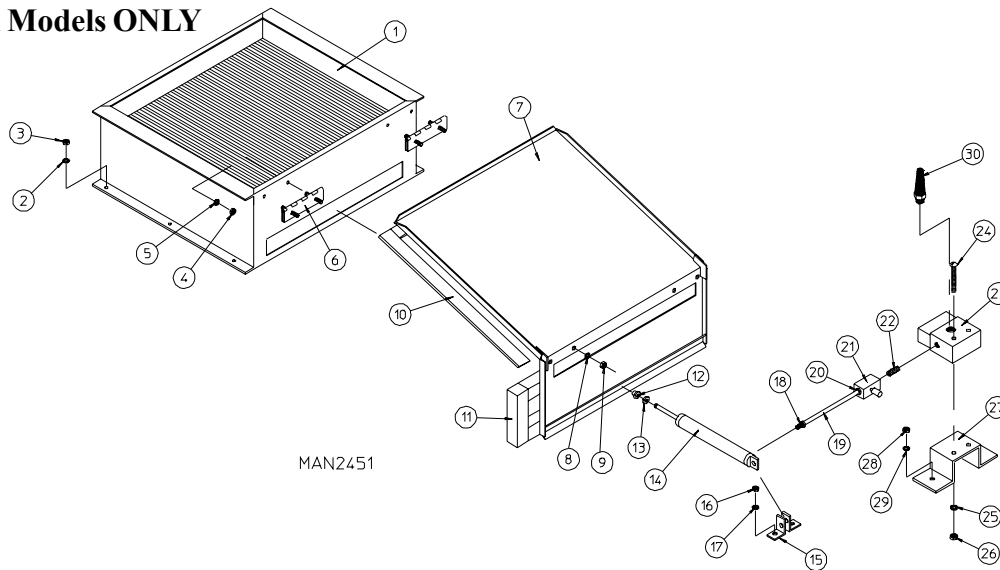
<u>Illus. No.</u>	<u>Part No.</u>	<u>Qty.</u>	<u>Description</u>
1	320902	1	Electric Oven Relay Box Cover
2	150301	12	#8-18 x 7/16" Phillips Pan Head TEK Screw
3	150300	3	#10-16 x 1/2" Hex Washer TEK Screw
4	132004	1	Transformer (for ALL electric models - 380 VAC through 480 VAC)
5	121400	2	Universal Bushing
6	150108	3	#8-32 x 1/2" Pan Head Machine Screw
7	121010	1	L-70 Terminal Lug
8	151001	1	#8-32 Pal Nut
9	151001	3	#8-32 Pal Nut
10	152014	2	1/4-20 Free Spin Wash Nut
11	150108	1	#8-32 x 1/2" Pan Head Machine Screw
12	131385	1	Single-Pole Single Throw 112-amp - 24 VAC Relay
13	120706	1	Power Distribution Block
14	150501	2	1/4-20 x 2" Carriage Bolt



MAN0440

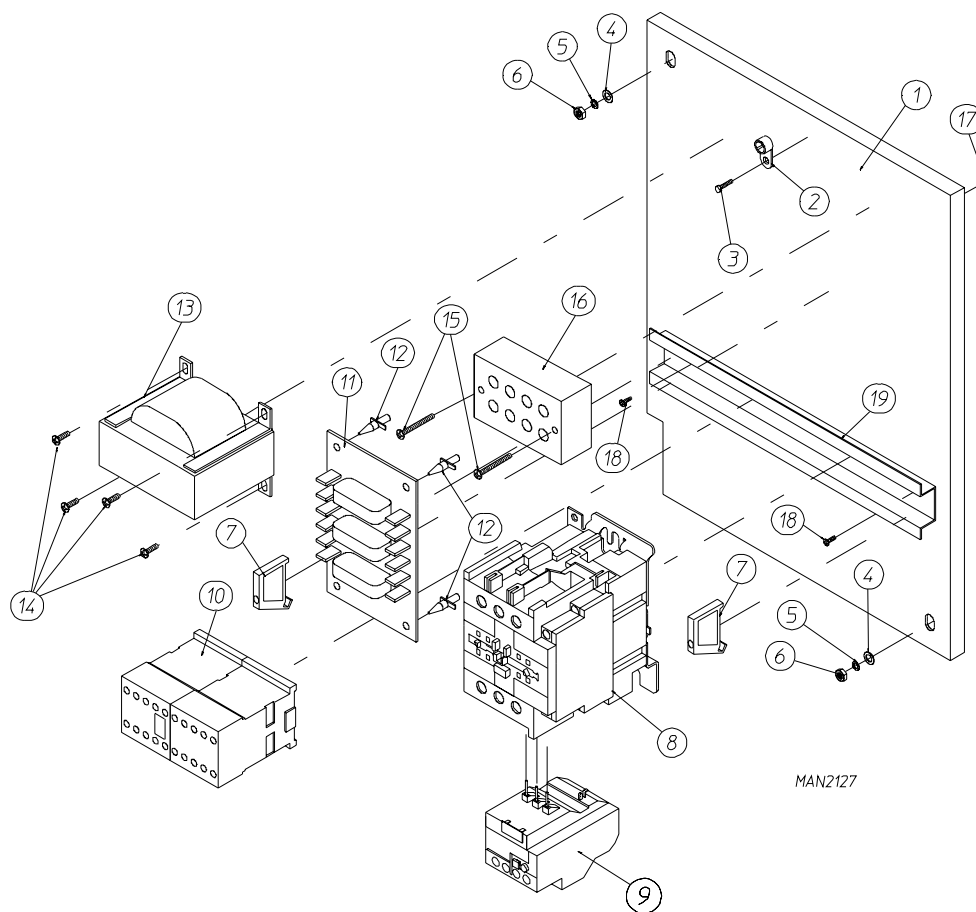
<u>Illus. No.</u>	<u>Part No.</u>	<u>Qty.</u>	<u>Description</u>
1	105500	1	Sail Switch Actuator Rod
2	319202	1	Sail Switch Damper (flat)
3	154002	1	1/8" Push On Fastener
4	802800	1	Sail Switch Box Cover and Bracket ONLY
	802801	1	Sail Switch Box Assembly Complete (includes illus. nos. 1 through 4 and 6 through 10)
5	150309	2	#10 x 1/2" Hex Head TEK Crimptite Screw
6	150303	2	#4 x 3/4" Pan Head "A" Machine Screw
7	122200	1	Sail Switch ONLY
8	802799	1	Sail Switch Box Cover and Bracket ONLY
9	150413	2	#10-16 x 1/2" TORX Crimptite Screw
10	154004	1	Twin Speed Nut

For Steam Models ONLY

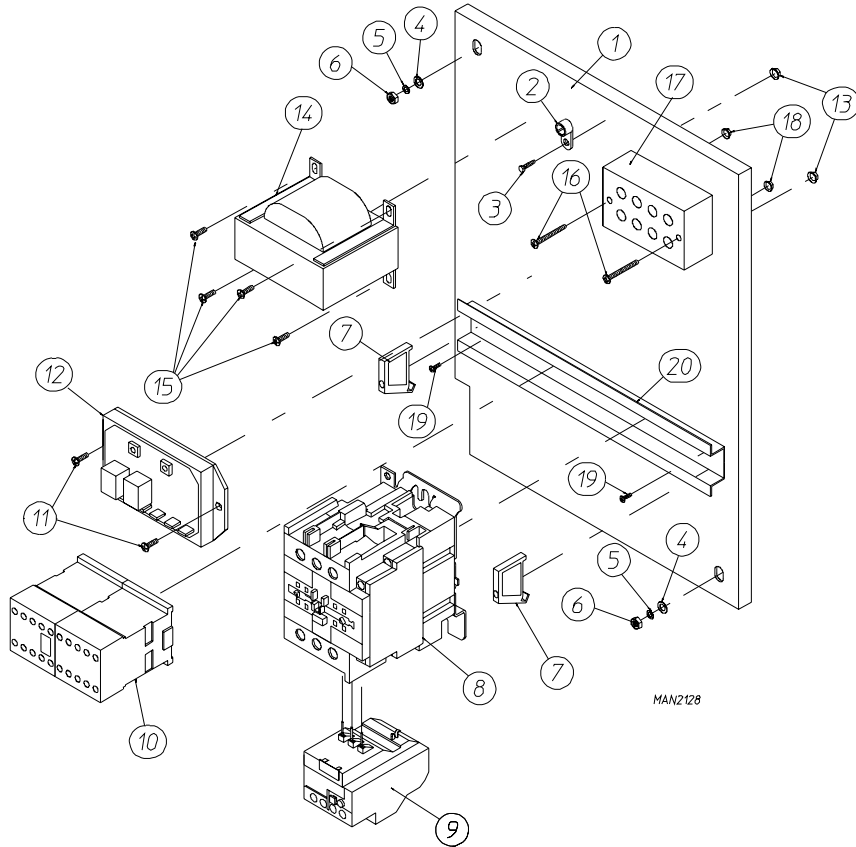


MAN2451

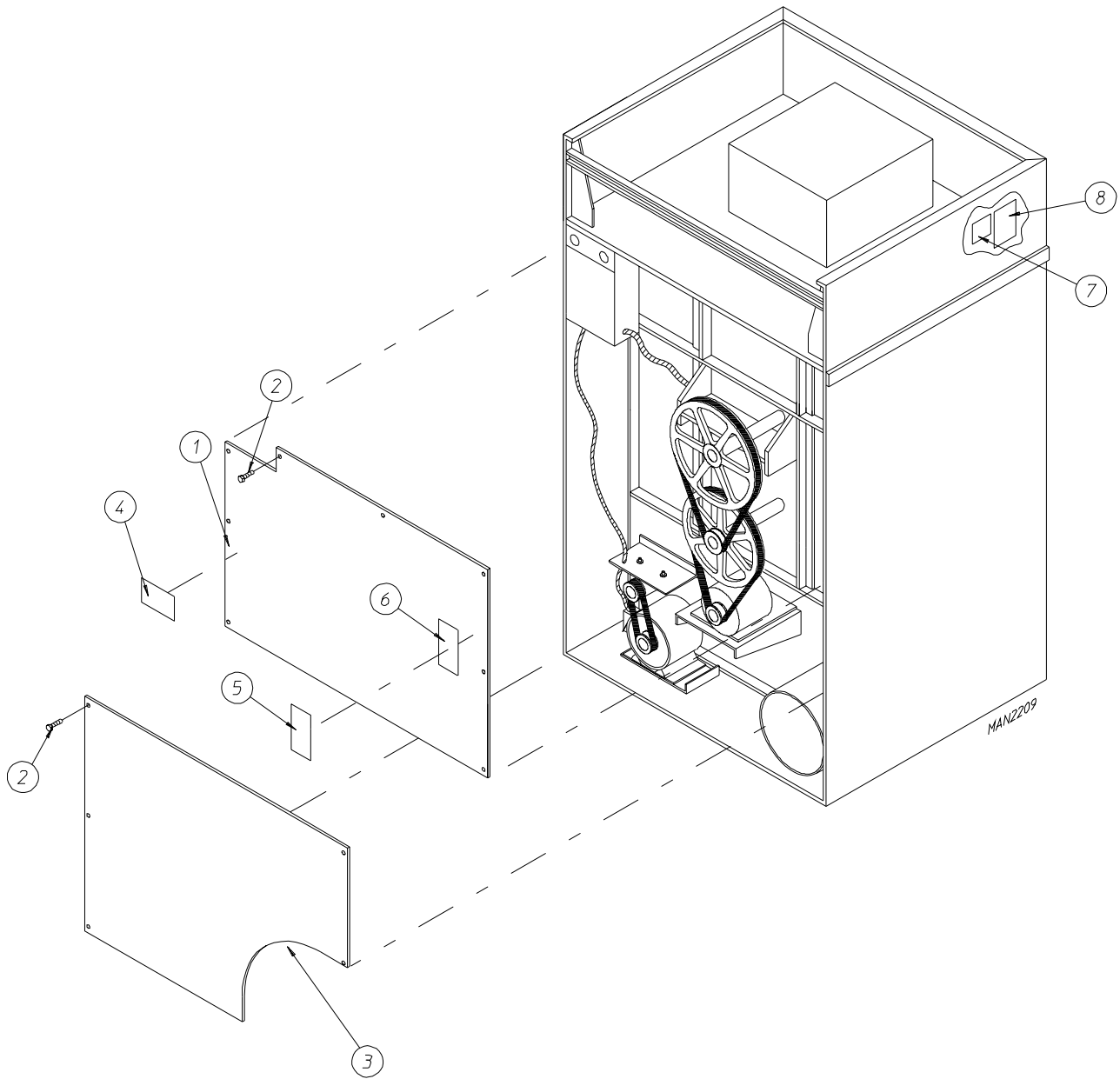
<u>Illus. No.</u>	<u>Part No.</u>	<u>Qty.</u>	<u>Description</u>
1	165012	1	Steam Coil Assembly
	165019	1	Steel Steam Coil Assembly (optional)
2	153002	6	5/16" Lock Washer
3	152004	6	5/16-18 Hex Nut
4	152002	4	1/4-20 Hex Nut
5	153007	4	1/4" Lock Washer
6	820321	2	Steam Damper Hinge Assembly
7	820320	1	Steam Damper Assembly (includes illus. nos. 7, 10, and 11)
8	153007	4	1/4" Lock Washer
9	152002	4	1/4-20 Hex Nut
10	115995	84	Steam Damper Gasket (sold by the inch)
11	102350	1	Steam Damper Foam (68-1/2" length)
12	151007	1	7/16-20 Stainless Steel Acorn Nut
13	152007	1	7/16-20 Hex Nut
14	100499	1	1-1/2" Bore x 3" Stroke Piston
15	100500	1	Piston Support Bracket
16	152002	4	1/4-20 Hex Nut
17	153007	4	1/4" Lock Washer
18	100472	1	1/4" x 1/8" Connector
19	143110	1	1/4" Tubing (sold by the foot)
20	100472	1	1/4" x 1/8" Connector
21	100496	1	1/8" Needle Valve
22	143238	1	1/8" Close Nipple
23	100498	1	3-Way Micro Valve - 24 VAC
24	150002	2	#6-32 x 1" Slotted Machine Screw
25	153010	2	#6 Star Washer
26	152000	2	#6-32 Hex Nut
27	330987	1	Micro Valve Support Bracket
28	152002	2	1/4-20 Hex Nut
29	153007	2	1/4" Lock Washer
30	100520	1	1/8" N.P.T. Silencer (muffler)



Illus. No.	Part No.	Qty.	Description
1	332346	1	Contactor/Relay Mounting Panel ONLY
2	121010	1	L-70 Ground Lug
3	150108	1	#8-32 x 1/2" Pan Head Machine Screw
4	153001	2	5/16" Flat Washer
5	153002	2	5/16" Lock Washer
6	152004	2	5/16-18 Hex Nut
7	120765	2	End Stop/Bracket
8	132445	1	3 hp Impellor Contactor
9	132467	1	208 Volt Blower Overload (for 208/230/240 volt models Only)
	132468	1	380 Volt Blower Overload (for 380/460/480/575/600 volt models Only)
10	882386	1	Reversing (impellor/blower/fan) Contactor - 24 VAC
	132458	1	Reversing Contactor with N.C. Connection
11	137060	1	Arc Suppressor (A.S.) Board (3)
12	137013	4	Nylon Standoff
13	-----	1	Step Down Transformer (refer to Step Down Transformer Application Listing on page 53)
14	150300	4	#10-16 x 1/2" Hex Washer TEK Screw
15	150008	2	#6-32 x 1-1/4" Slotted Round Head Machine Screw
16	120701	1	4-Position Power Distribution Block
17	151000	2	#6-32 Pal Nut
18	150309	2	#10-16 x 1/2" Hex Head TEK Crimpite Screw
19	120768	9	Din Mounting Rail (sold by the inch)



<u>Illus. No.</u>	<u>Part No.</u>	<u>Qty.</u>	<u>Description</u>
1	332346	1	Contactor/Relay Mounting Panel ONLY
2	121010	1	L-70 Ground Lug
3	150108	1	#8-32 x 1/2" Phillips Pan Head Machine Screw
4	153001	2	5/16" Flat Washer
5	153002	2	5/16" Lock Washer
6	152004	2	5/16-18 Hex Nut
7	120765	2	End Stop/Bracket
8	132445	1	3 hp Impellor Contactor
9	132467	1	208 Volt Blower Overload (for 208/230/240 volt model Only)
	132468	1	380 Volt Blower Overload (for 380/460/480/575/600 volt model Only)
10	882386	1	Reversing (impellor/fan/blower) Contactor - 24 VAC
	132458	1	Reversing Contactor with N.C. Connection
11	150108	2	#8-32 x 1/2" Phillips Pan Head Machine Screw
12	132198	1	Reversing Timer ONLY (50/60 Hz) - 24 VAC
13	151001	2	#8-32 Pal Nut
14	-----	1	Step Down Transformer (refer to Step Down Transformer Application Listing on page 53)
15	150300	4	#10-16 x 1/2" Hex Washer TEK Screw
16	150008	2	#6-32 x 1-1/4" Slotted Round Head Machine Screw
17	120701	1	4-Position Power Distribution Block
18	151000	2	#6-32 Pal Nut
19	150309	2	#10-16 x 1/2" Hex Head TEK Crimpite Screw
20	120768	9	Din Mounting Rail (sold by the inch)



<u>Illus. No.</u>	<u>Part No.</u>	<u>Qty.</u>	<u>Description</u>
1	813029	1	Top Back Guard
2	150301	12	#8-18 x 7/16" Phillips Pan Head TEK Screw
3	354000	1	Gas and Electric Lower Back Guard
	354003	1	Steam Lower Back Guard
4	112017	1	ADC Name and Address Label
5	112229	1	Installation Instructions Label
6	112519	1	Routine Maintenance Label
7	-----	1	Dryer Data Label
8	112534	1	Phase 5 Non-Coin Program Location Label (for microprocessor models Only)

STEP DOWN TRANSFORMER APPLICATION LISTING (REVERSING RELAY BOX)				
HEAT	VOLTAGE	WIRE SERVICE	TRANSFORMER PART NUMBER	
			MICROPROCESSOR MODELS	TIMER MODELS
GAS / STEAM	380	3 or 4	132059	132059
	416	3 or 4	132062	132062
	440	3 or 4	132056	132056
	460/480	3 or 4	132053	132053
	575	3	132050	132050
ELECTRIC	380	3 or 4	132059	N/R
	416	3 or 4	132062	N/R
	460/480	3 or 4	132053	N/R
	575	3	N/A	N/A

N/A = Not available. N/R = Not required.

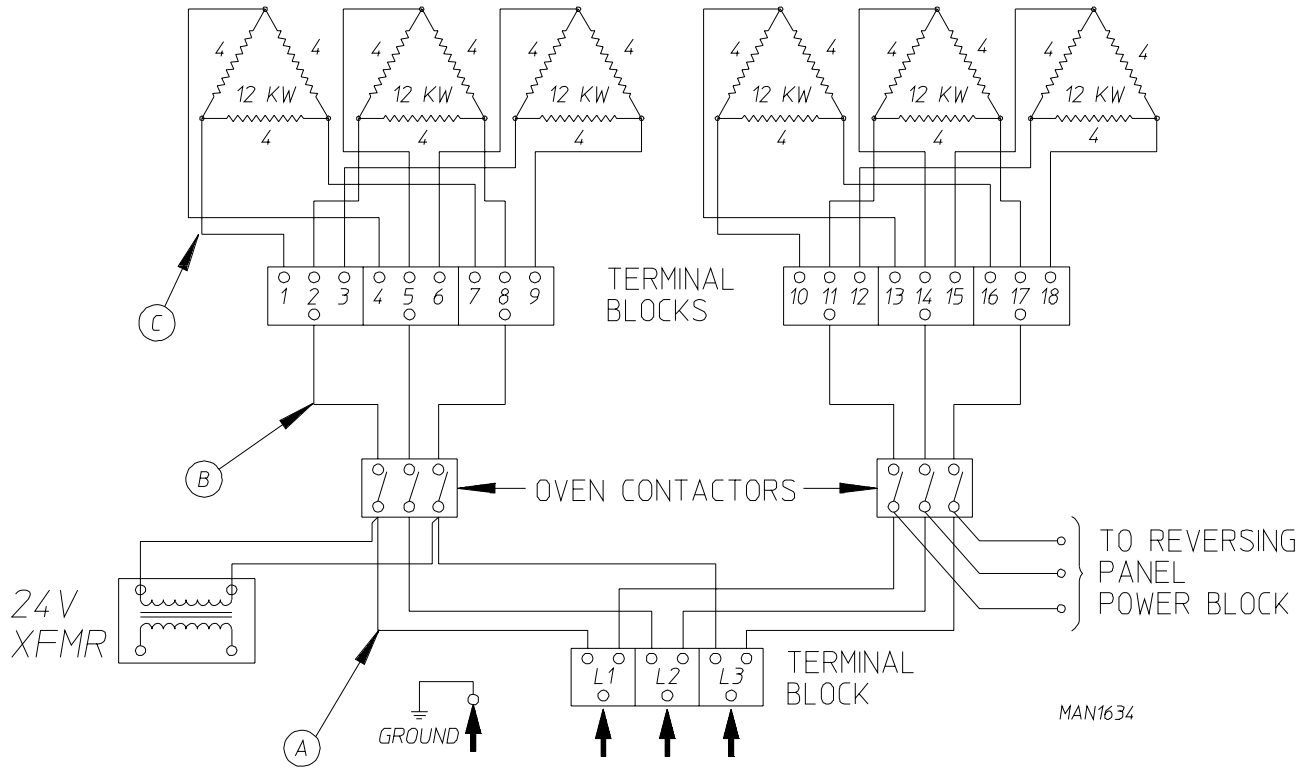
For Electric Models ONLY

72 kW OVEN	VOLTS	208		230		380		416		480		
	PHASE	3ø		3ø		3ø		3ø		3ø		
	WIRE	3		3		3 or 4		3 or 4		3 or 4		
	OVEN ASSY. PART NO.	815816		815817		815820		815821		815822		
	ELEMENTS	QTY.	18		18		18		18		18	
		SIZE	4 kW		4 kW		4 kW		4 kW		4 kW	
		PART NO.	120008		120009		120044		120008		120009	
	OVEN WIRE	QTY.*	6'	25'	6'	25'	3'	8'	3'	25'	3'	25'
		SIZE	#2	#8	#2	#8	#2	#8	#2	#8	#2	#8
		PART NO.	133302	133100	133302	133100	133302	133100	133302	133100	133302	133100
	TERMINAL LUG	QTY.	13	6	13	6	9	1	9	1	9	1
		PART NO.	121010	121012	121010	121012	121010	121012	121010	121012	121010	121012
	BUS BAR PART NO. 121011*	2'		2'		3'		3'		3'		

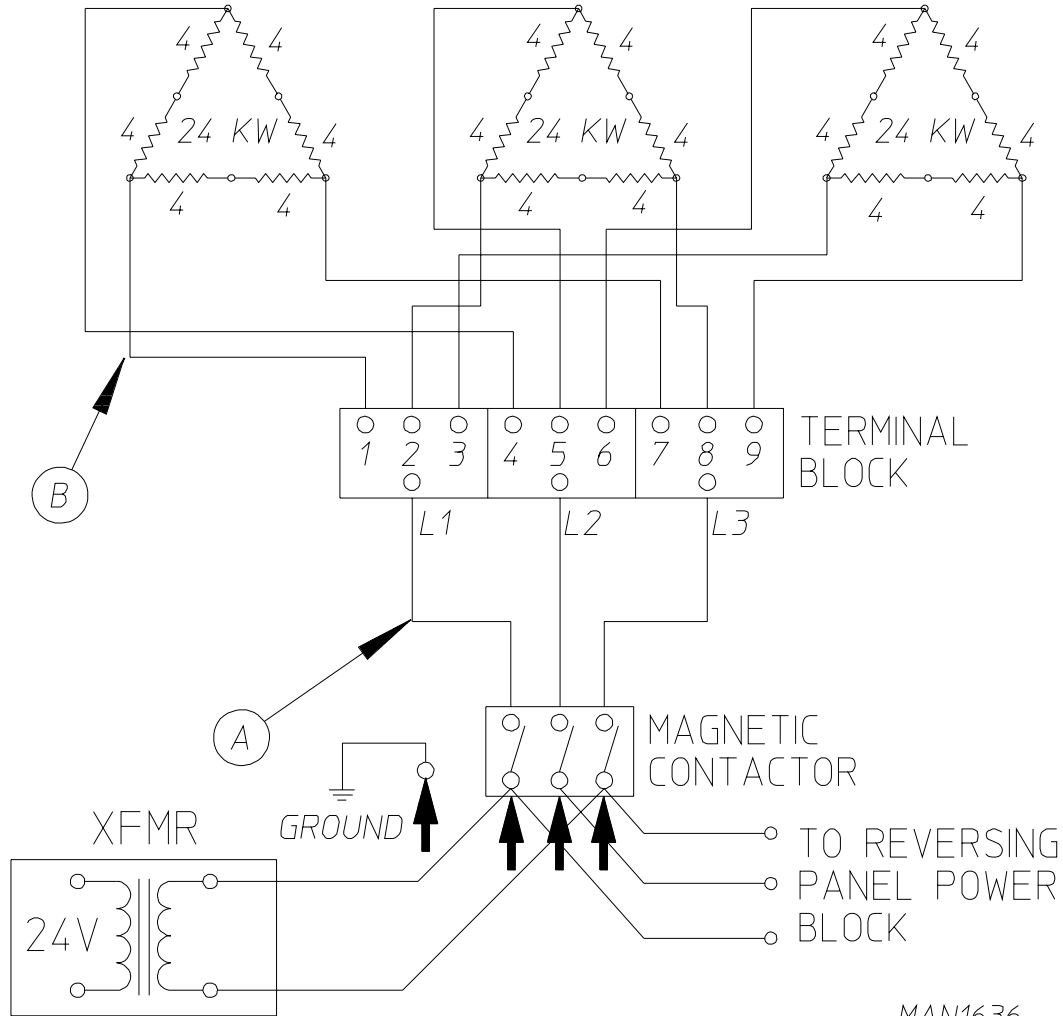
80 kW OVEN	VOLTS	208		230		380		416		480		
	PHASE	3ø		3ø		3ø		3ø		3ø		
	WIRE	3		3		3 or 4		3 or 4		3 or 4		
	OVEN ASSY. PART NO.	815823		815824		815810		815826		815827		
	ELEMENTS	QTY.	18		18		18		18		18	
		SIZE	4.5 kW		4.5 kW		4.5 kW		4.5 kW		4.5 kW	
		PART NO.	120047		120048		120022		120047		120048	
	OVEN WIRE	QTY.*	6'	25'	6'	25'	3'	25'	3'	25'	3'	25'
		SIZE	#2	#8	#2	#8	#1	#8	#1	#8	#2	#8
		PART NO.	133302	133100	133302	133100	133301	133100	133301	133100	133302	133100
	TERMINAL LUG	QTY.	18		18		10	1	18	1	18	1
		PART NO.	121010		121010		121010	121012	121010	121012	121010	121012
	BUS BAR PART NO. 121011*	8'		8'		11'		11'		11'		

* Sold by the foot.

72 kW 208-240 VAC 3 ϕ 50/60 Hz



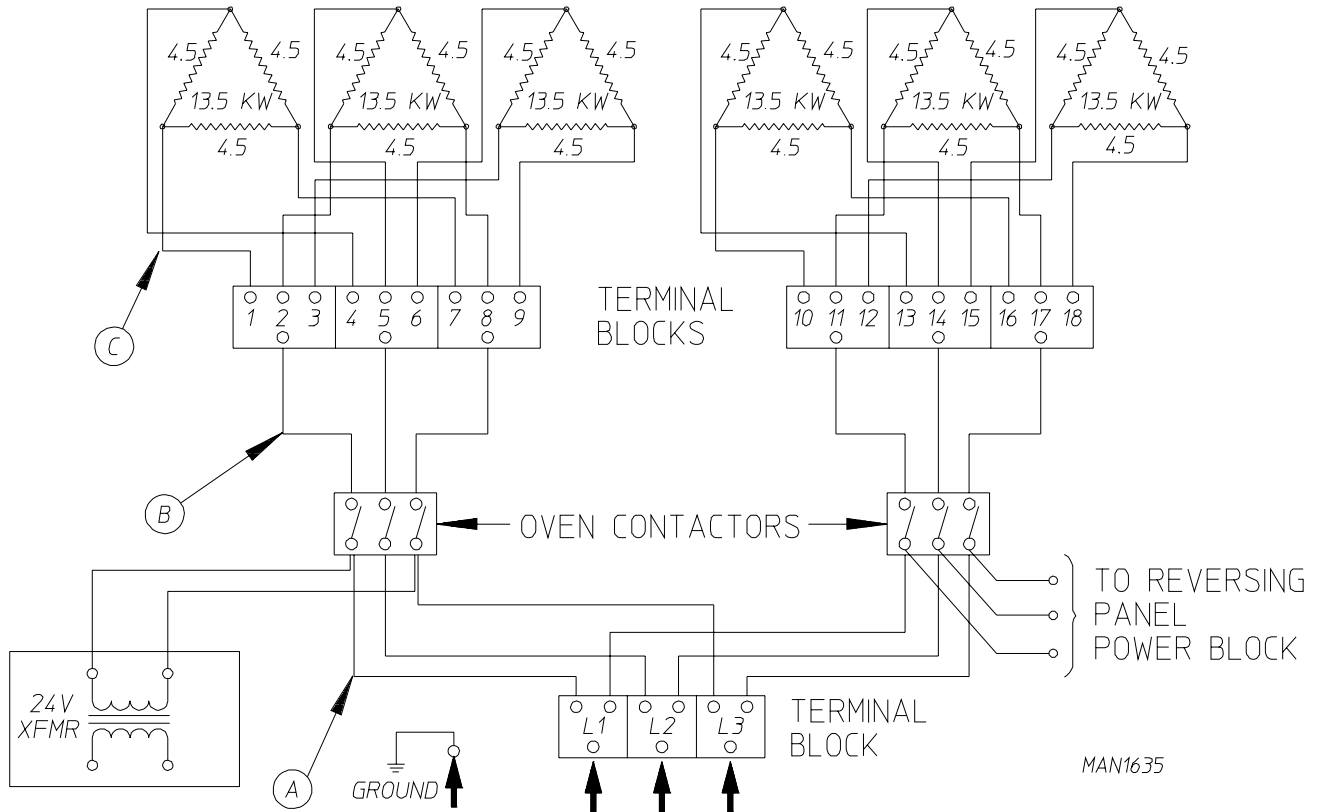
ELECTRIC SERVICE	QTY. ELEMENTS	ELEMENT PART NUMBER	OVEN AMPS	WIRE SIZE			CONTACTOR	24 VAC STEP DOWN TRANSFORMER
				A	B	C		
208v 3 ϕ 3, 4w	18	120008	200	2	2	8	131385	132004
240v 3 ϕ 3, 4w	18	120009	174	2	2	8	131385	132004



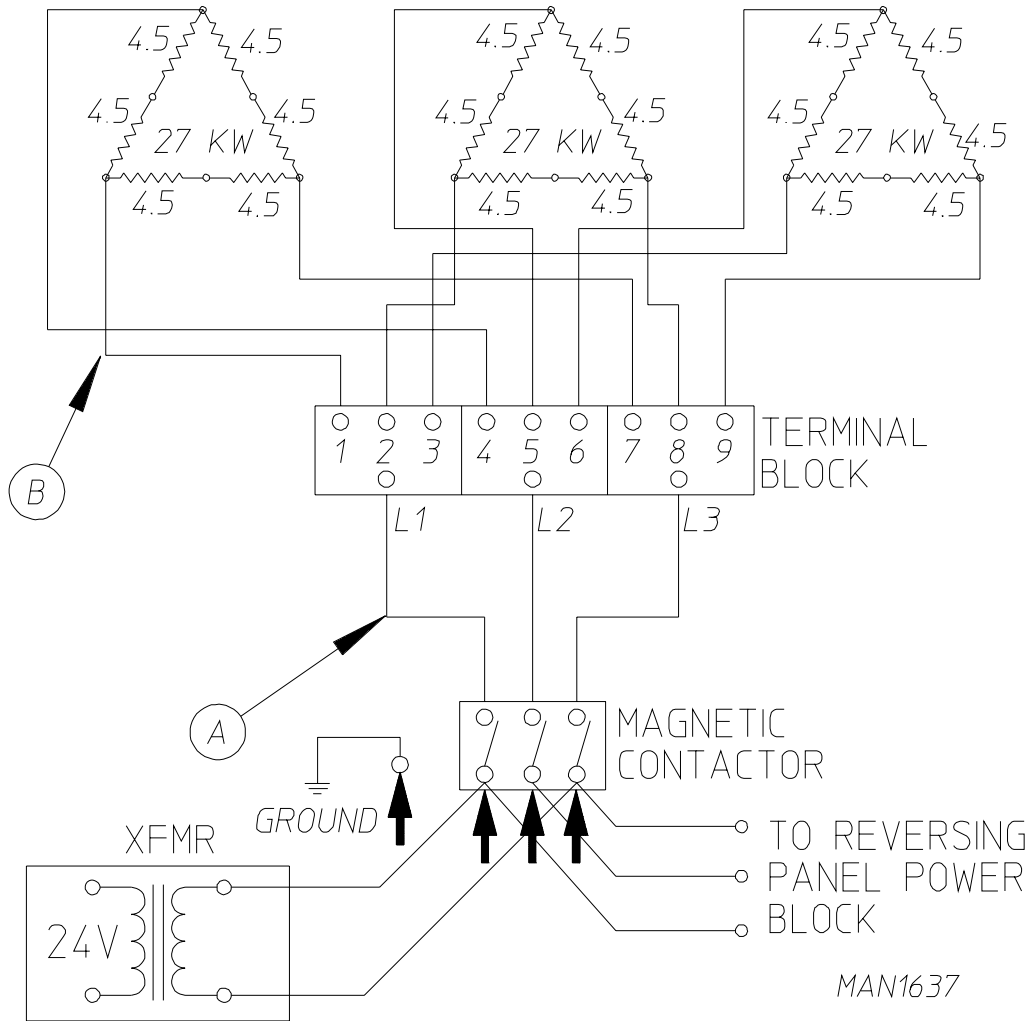
MAN1636

ELECTRIC SERVICE	QTY. ELEMENTS	ELEMENT PART NUMBER	OVEN AMPS	WIRE SIZE		CONTACTOR	24 VAC STEP DOWN TRANSFORMER
				A	B		
380v 3ø 3, 4w	18	1200044	110	2	8	131385	132004
416v 3ø 3, 4w	18	120008	100	2	8	131385	132004
480v 3ø 3, 4w	18	120009	87	2	8	131385	132004

80 kW 208-240 VAC 3 ϕ 50/60 Hz

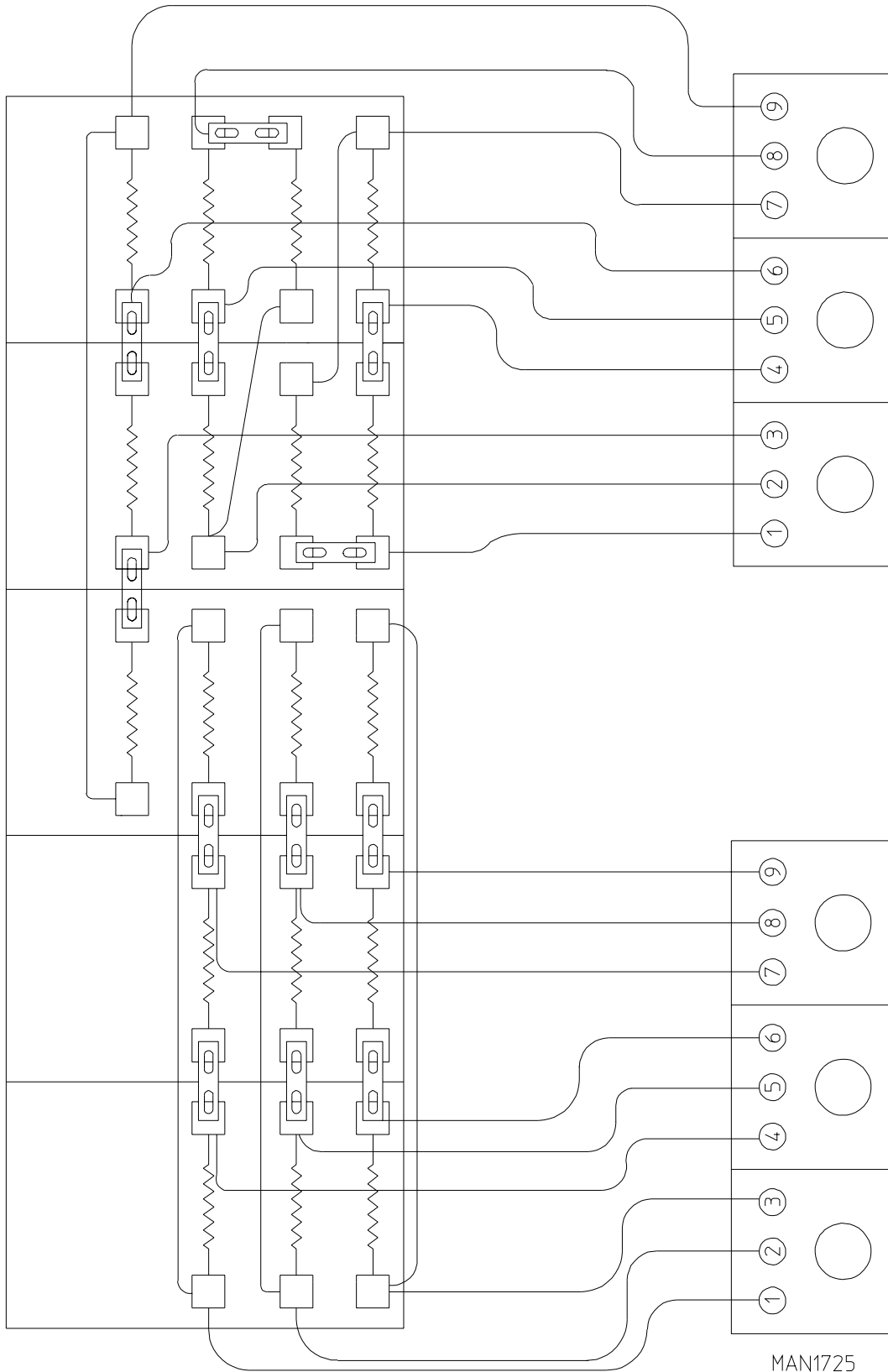


ELECTRIC SERVICE	QTY. ELEMENTS	ELEMENT PART NUMBER	OVEN AMPS	WIRE SIZE			CONTACTOR	24 VAC STEP DOWN TRANSFORMER
				A	B	C		
208v 3 ϕ 3, 4w	18	120047	222	2	2	8	131385	132004
240v 3 ϕ 3, 4w	18	120048	193	2	2	8	131385	132004

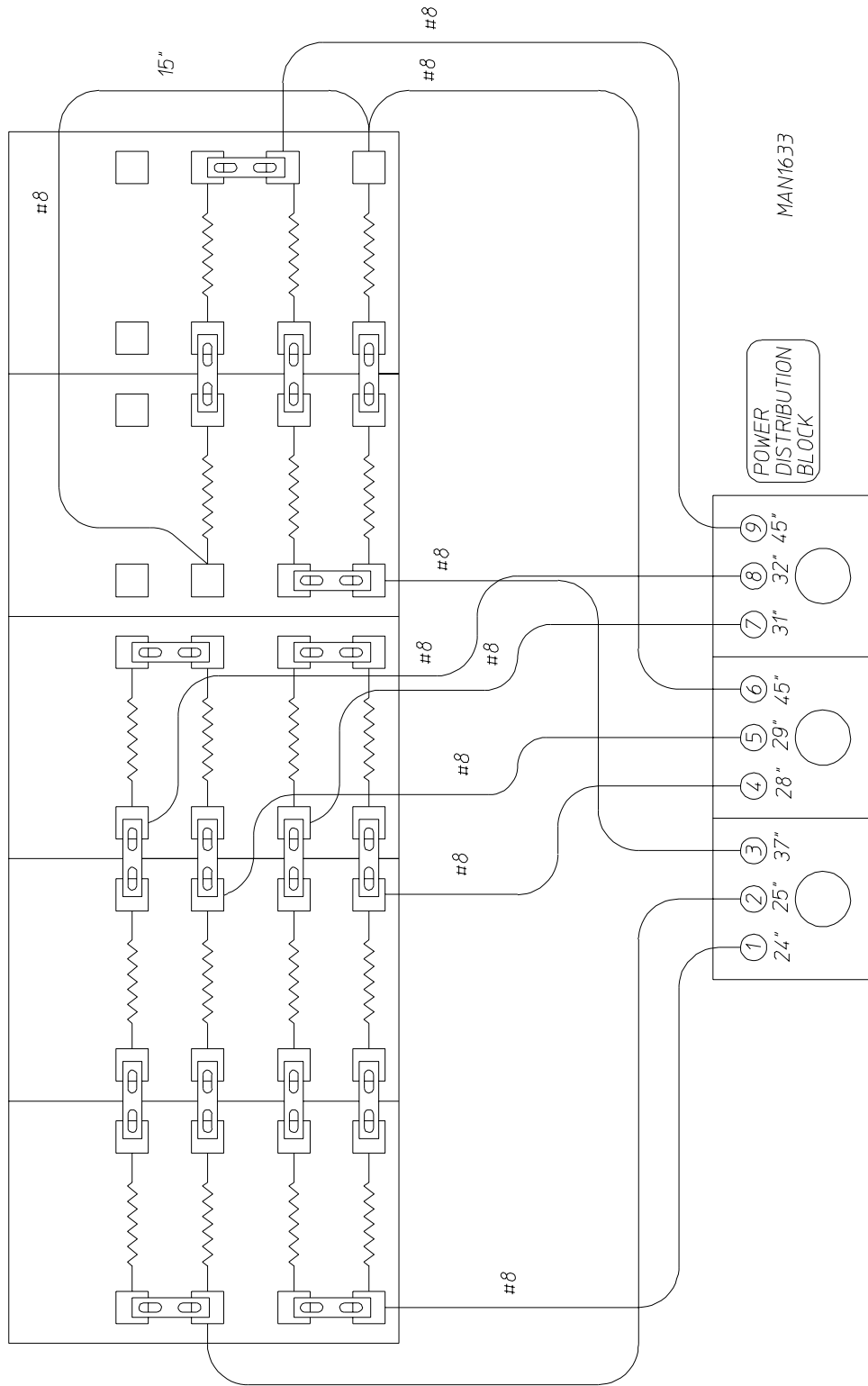


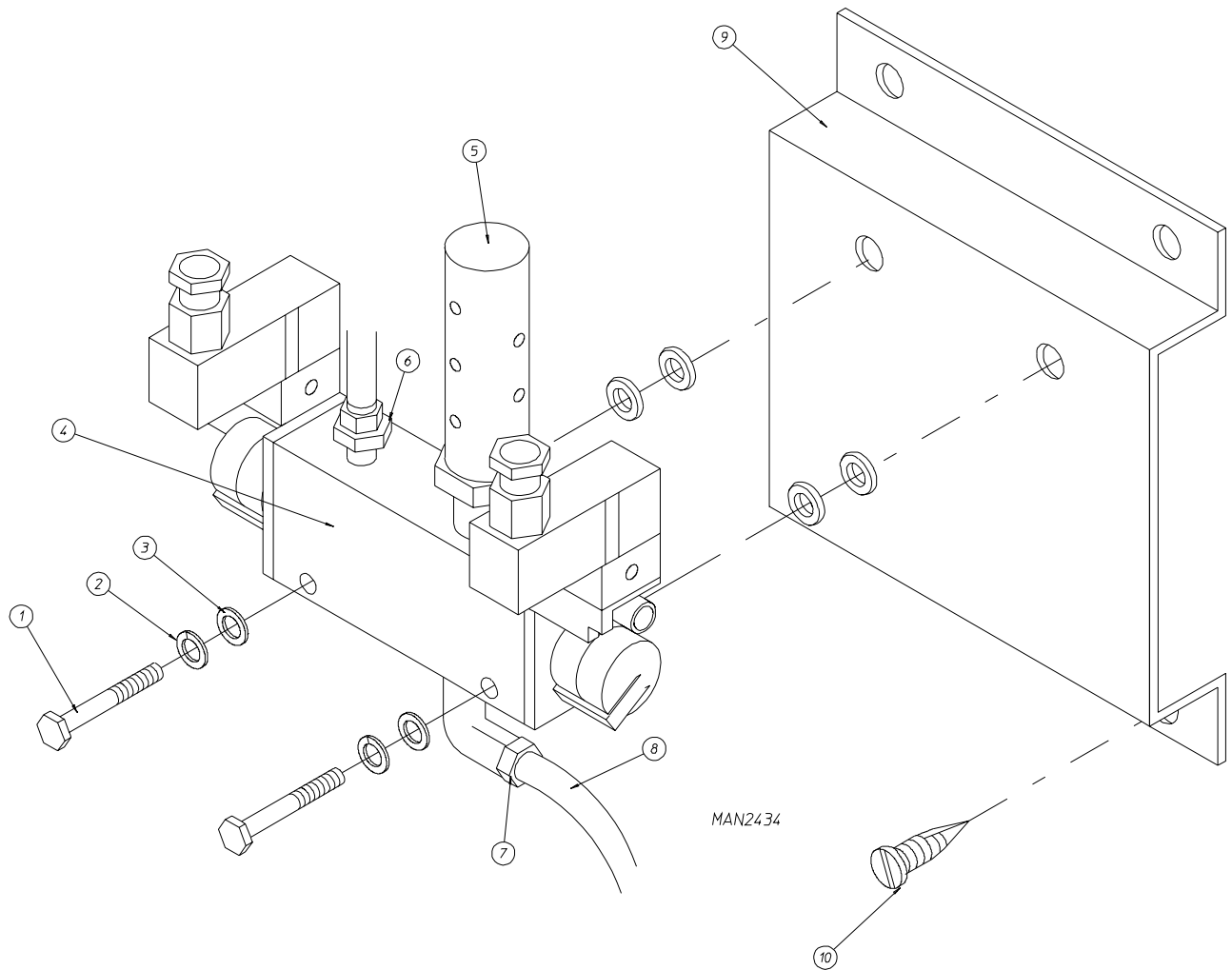
ELECTRIC SERVICE	QTY. ELEMENTS	ELEMENT PART NUMBER	OVEN AMPS	WIRE SIZE		CONTACTOR	24 VAC STEP DOWN TRANSFORMER
				A	B		
380v 3ø 3, 4w	18	120022	122	1	8	131385	132004
416v 3ø 3, 4w	18	120047	111	1	8	131385	132004
480v 3ø 3, 4w	18	120048	96.3	2	8	131385	132004

72/80 kW 208-240 VAC 3Ø 50/60 Hz

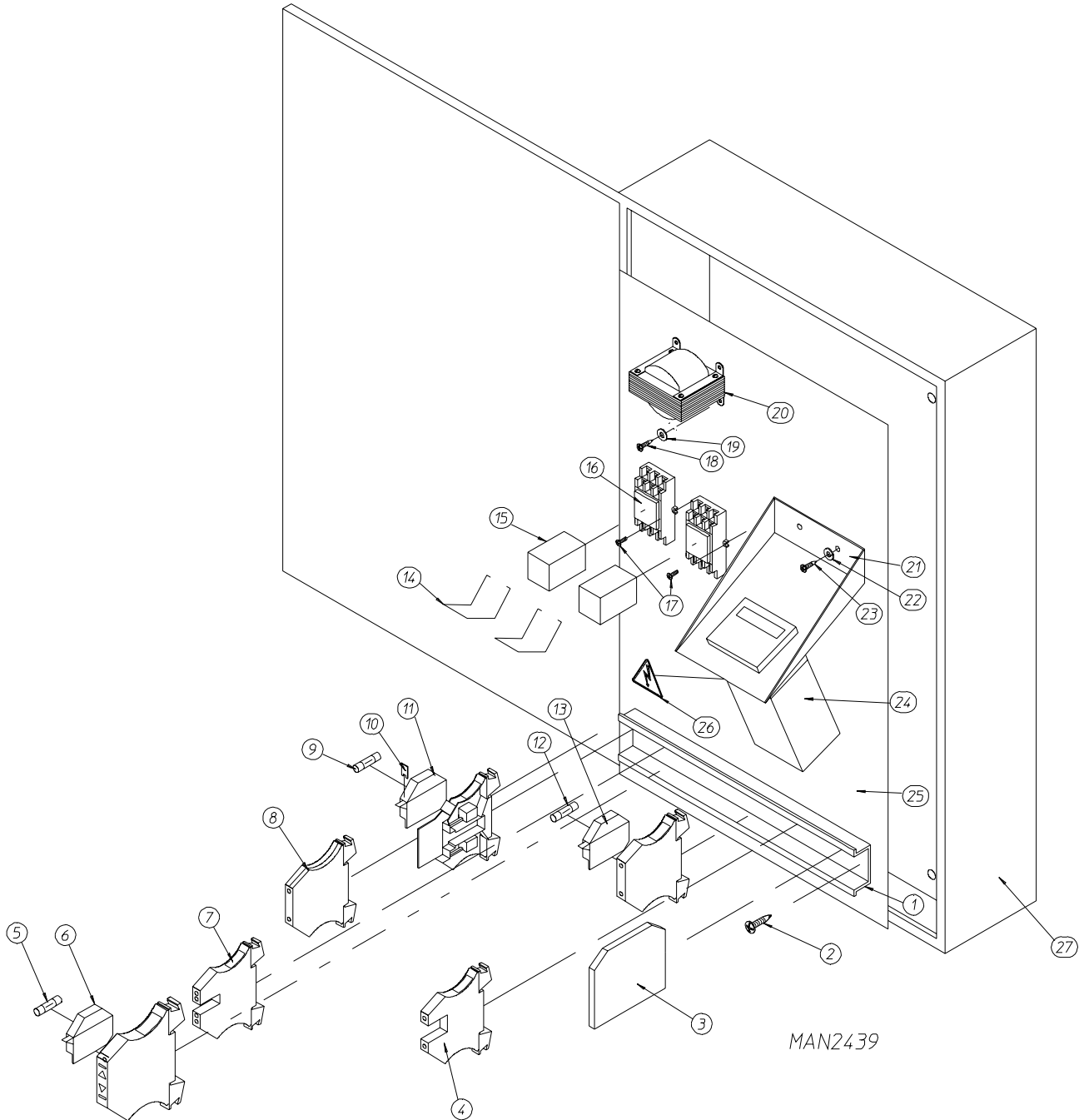


72/80 kW 380-416/480 VAC 3 ϕ 50/60 Hz

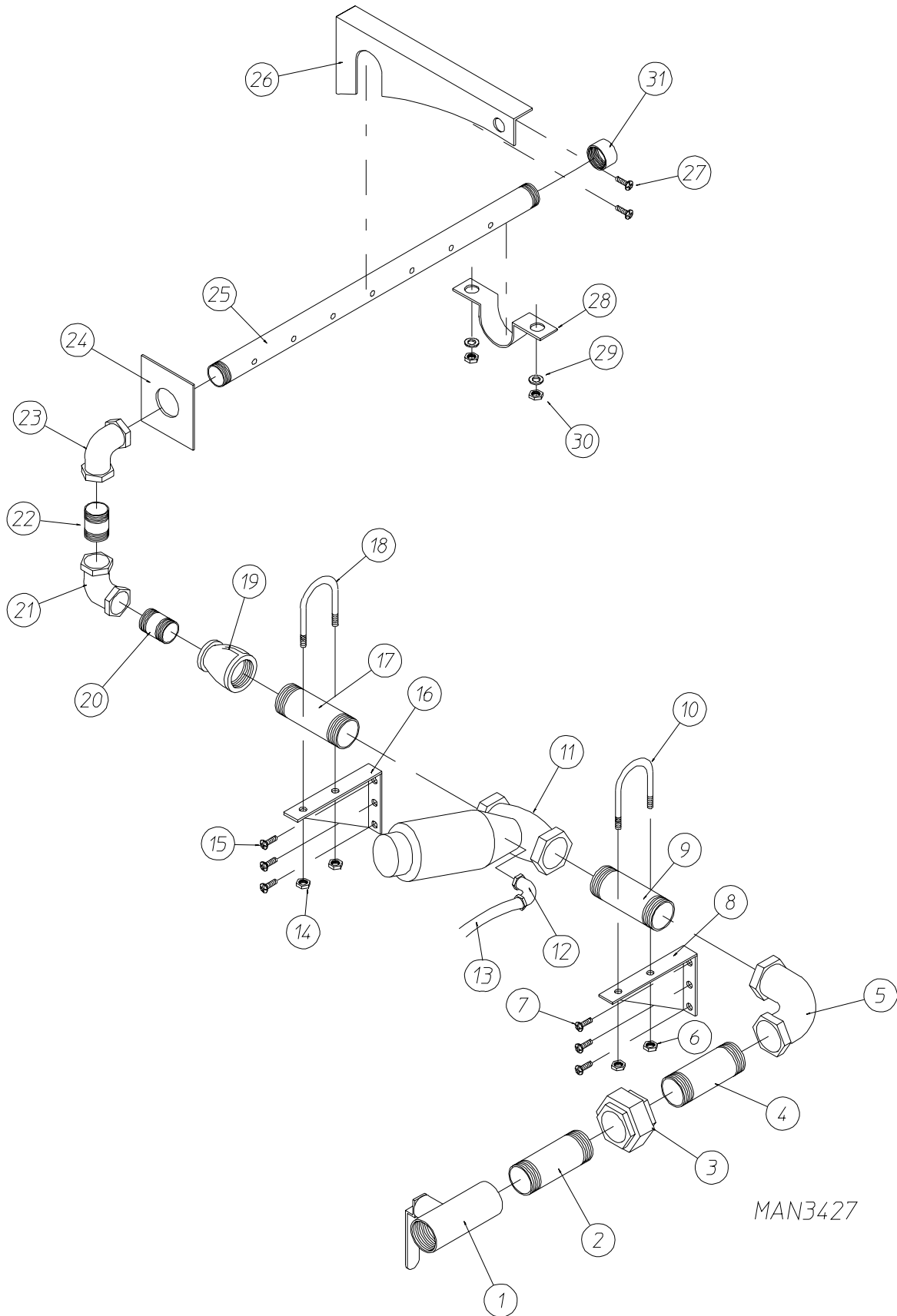




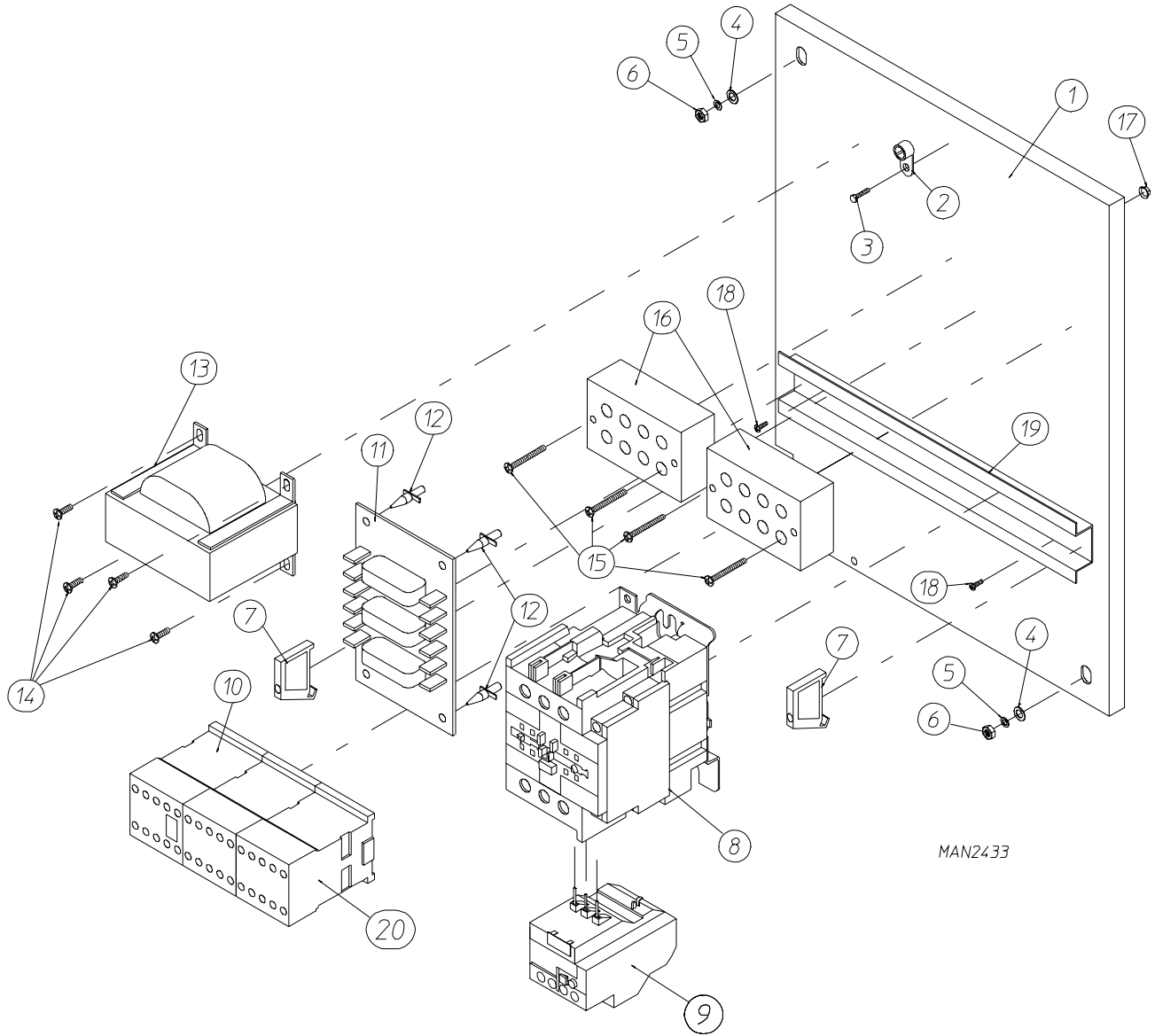
<u>Illus No.</u>	<u>Part No.</u>	<u>Qty.</u>	<u>Description</u>
1	150524	2	1/4-20 x 2" Long Bolt
2	153007	2	1/4" Lock Washer
3	153018	4	1/4" Flat Washer
4	100556	1	Sprinkler Solenoid Valve, 120 Volt
5	100462	1	3/8" Silencer
6	143283	1	3/8" Poly x 3/8" M.P.T. Connector, Brass
7	143151	1	1/4" Compression x 3/8" M.P.T. Elbow, Brass
8	143100	5	1/4" Aluminum Tubing
9	821532	1	Sprinkler Solenoid Bracket
10	150522	4	1/4-20 x 1/2" Long TEK Screw



<u>Illus No.</u>	<u>Part No.</u>	<u>Qty.</u>	<u>Description</u>
1	120768	5-1/2	35 x 15 mm Din Rail
2	150300	2	#10-16 x 1/2" Self Drilling Sheet Metal Screw
3	120766	1	End Section
4	120758	7	Feed Thru Terminal Block
5	136033	1	3-amp 3AG Fuse
6	120756	1	1/4" Fuse Terminal Block with Light Emitting Diode (L.E.D.)
7	120761	9	4 Position Feed Thru Terminal Block
8	120750	2	Ground Terminal Block
9	136050	2	3AG 1-amp Fuse Slo-Blo
10	120999	4	Blank Marking Tag
11	120721	2	Disconnect Fuse Block 3AG
12	136039	1	5 x 20 mm 250 mA Med. LAG Fuse
13	120754	1	5 x 20 mm Fuse Terminal Block with Light Emitting Diode (L.E.D.)
14	131409	2	Hold Down Spring
15	131405	2	Double Pole Double Throw Relay
16	131408	2	Relay Socket with Screw Terminals
17	150106	3	#8-32 x 1" Phillips Head Machine Screw
18	150108	4	#8-32 x 1/2" Machine Screw
19	153000	4	#8 Flat Washer
20	132091	1	208-240 Volt to 120 Volt Transformer
21	333002	1	Temperature Controller Mounting Bracket
22	153000	2	#8 Flat Washer
23	150108	2	#8-32 x 1/2" Machine Screw
24	821761	1	Digital Controller Assembly
25	331499	1	Sprinkler Electrical Panel
26	122424	1	Power Warning Label
27	821990	1	J-Box with Hinged Cover

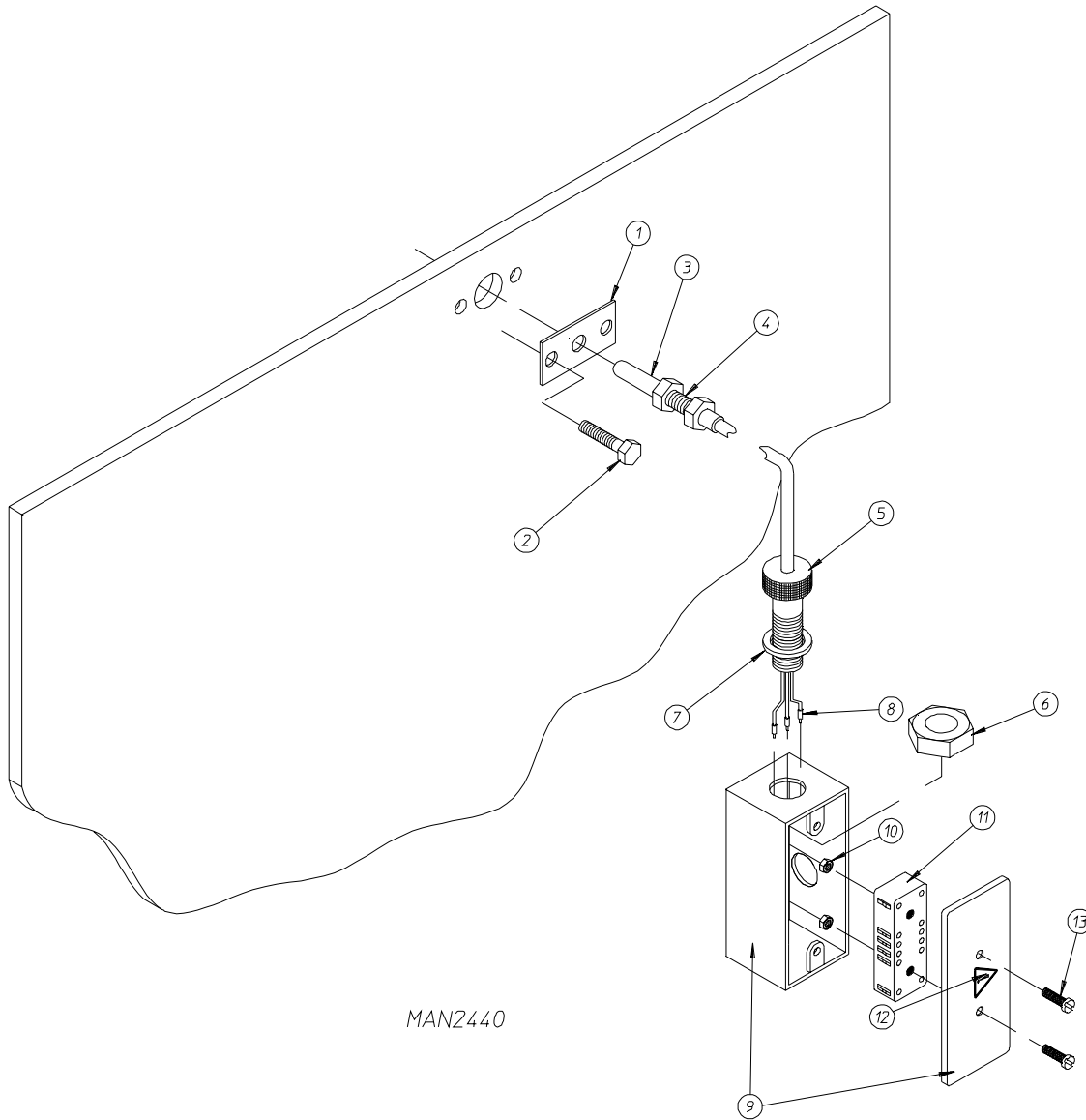


<u>Illus No.</u>	<u>Part No.</u>	<u>Qty.</u>	<u>Description</u>
1	143556	1	1" Ball Valve
2	142579	1	3/4" x 2" Nipple
3	142602	1	1" Union
4	142579	1	3/4" x 2" Nipple
5	142548	1	1" x 90° Elbow
6	152002	2	1/4-20 Hex Nut
7	150522	2	1/4-20 x 1/2" Hex Head TEK Screw
8	332429	1	Rear Sprinkler Bracket
9	142584	1	1" x 4-1/2" Nipple
10	154350	1	1" Pipe U-Bolt
11	100565	1	1" Water Valve, Air-Operated (for models mfd. as of September 1, 1996)
	881414	1	1" Water Valve, Air-Operated (for models mfd. prior to September 1, 1996)
12	143227	1	1/4" Compression x 1/4" M.P.T. Elbow, Brass (for models mfd. as of July 7, 1996)
	143210	1	1/4" Compression x 1/4" M.P.T. Elbow, Brass (for models mfd. prior to July 7, 1996)
13	143100	5	1/4" Aluminum Tubing
14	152002	2	1/4-20 Hex Nut
15	150522	2	1/4-20 x 1/2" Hex Head TEK Screw
16	332429	1	Rear Sprinkler Bracket
17	142709	1	3/4" x 2" Nipple
18	154350	1	1" Pipe U-Bolt
19	142924	1	1" x 3/4" Reducing Coupling
20	142709	1	3/4" x 2" Nipple
21	142504	1	3/4" x 90° Elbow
22	142709	1	3/4" x 2" Nipple
23	142504	1	3/4" x 90° Elbow
24	102326	1	Sprinkler Pipe Gasket
25	142750	1	3/4" x 46" Nipple with 1/8" Holes
26	321610	1	Sprinkler Sensor Support Bracket
27	150522	2	1/4-20 x 1/2" Hex Head TEK Screw
28	142933	1	3/4" Pipe Strap
29	153007	2	1/4" Lock Nut
30	152002	2	1/4-20 Hex Nut
31	142751	1	3/4" Pipe End Cap

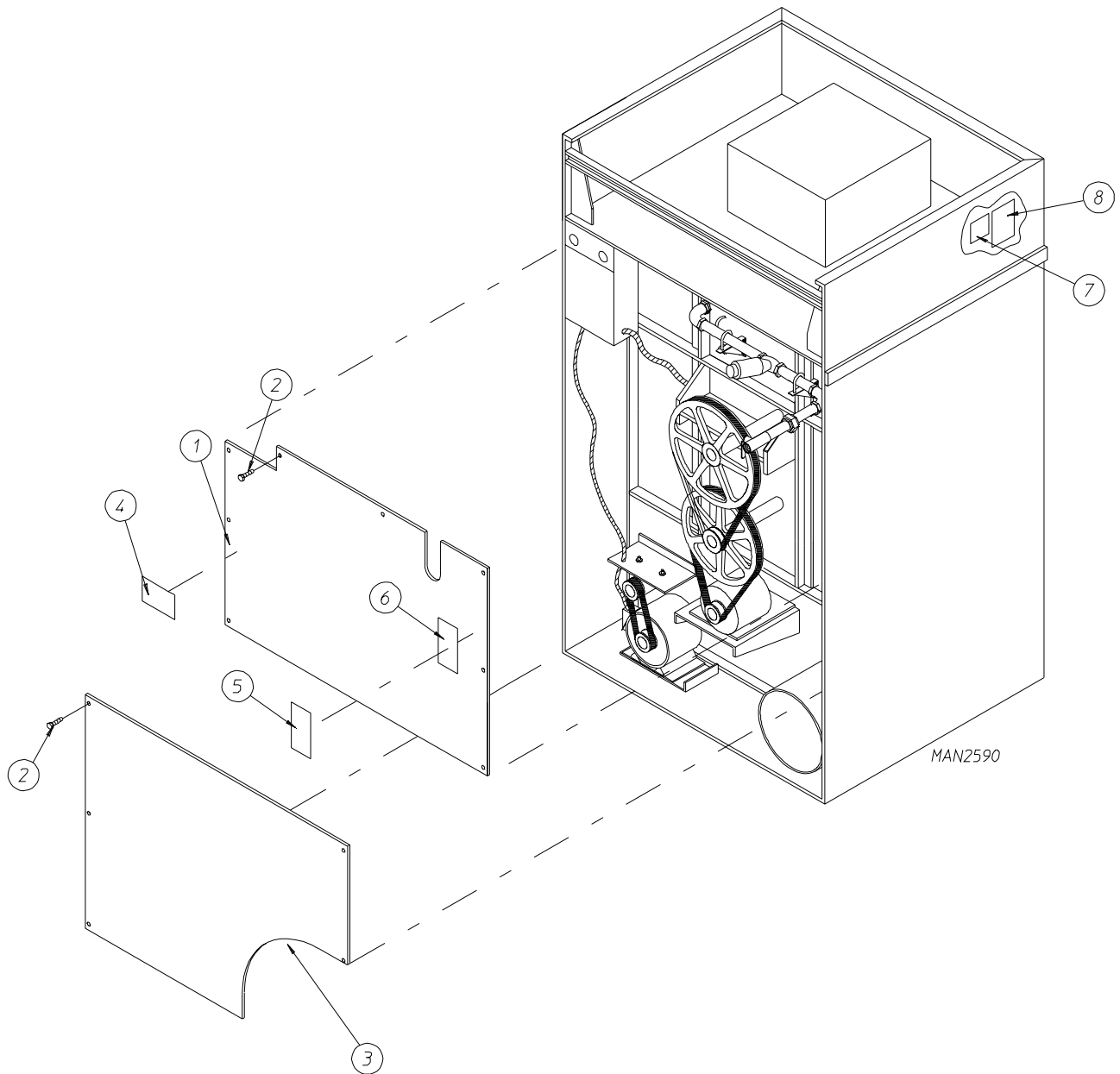


MAN2433

<u>Illus No.</u>	<u>Part No.</u>	<u>Qty.</u>	<u>Description</u>
1	332346	1	Contact/Relay Mounting Panel
2	121010	1	L-70 Ground Lug
3	150108	1	#8-32 x 1/2" Pan Head Machine Screw
4	153001	2	5/16" Flat Washer
5	153002	2	5/16" Lock Washer
6	152004	2	5/16-18 Hex Nut
7	120765	2	End Stop/Bracket
8	132445	1	3 hp Impellor Contactor
9	132467	1	208 Volt Blower Overload (for use on models mfd. for 208/230/240V electric service)
	132468	1	380 Volt Blower Overload (for use on models mfd. for 380/460/480/575/600V electric service)
10	132444	1	3 hp Control Relay with a 110V Coil
11	137060	1	Arc Suppressor (A.S.) Board
12	137013	4	Nylon Standoff
13	-----	1	Step Down Transformer (refer to Step Down Transformer Application Listing on page 53)
14	150300	4	#10-16 x 1/2" Hex Washer TEK Screw
15	150008	2	#6-32 x 1/4" Slotted Round Head Machine Screw
16	120701	2	4-Position Power Distribution Block
17	151000	2	#6-32 Pal Nut
18	150415	2	#10-16 x 1/2" Phillips Round Head Crimptite Screw
19	120768	9	Din Mounting Rail (sold by the inch)
20	132431	1	Reversing Contactor 24 VAC
	132432	2	Contact Replacement Coil 24 VAC



Illus No.	Part No.	Qty.	Description
1	331877	1	Temperature Sensor Mounting Plate
2	150523	2	1/4-20 x 3/4" Hex Washer Machine Bolt
3	881312	1	Temperature Probe Assembly
4	143296	1	1/4" Compression Fitting
5	120649	1	1/2" N.P.T. Cord Grip (green)
6	120914	1	1/2" Metal Clad "O" Ring
7	120915	1	1/2" N.P.T. Lock Nut
8	122736	3	18 AWG Ferrule (yellow)
9	881228	1	Sprinkler Temperature Probe Assembly (includes illus. nos. 9 and 12)
10	152000	2	#6-32 Hex Nut
11	120703	1	6 Position Screw Connector
12	122427	1	Caution Label
13	150008	2	#6-32 x 1-1/4" Machine Screw



<u>Illus No.</u>	<u>Part No.</u>	<u>Qty.</u>	<u>Description</u>
1	881306	1	Top Back Guard
2	150301	12	#8-18 x 7/16" Phillips Pan Head TEK Screw
3	354000	1	Gas and Electric Lower Back Guard
4	112017	1	ADC Name and Address Label
5	112229	1	Installation Instructions Label
6	112519	1	Routine Maintenance Label
7	—	1	Dryer Data Label
8	112534	1	Phase 5 Non-Coin Program Location Label (Microprocessor Models Only)

<u>Part No.</u>	<u>Description</u>
112280	“Clean Lint Screen” Label
114001	“CAUTION-Exhausted/Lint Screen” Label
114006	“WARNING - Fire Hazards” Label
120100	3/8” Straight (BX) Connector
120300	3/8” x 45° (BX) Connector
120400	3/8” Red Jacket (BX) Insulator
120500	3/8” Jiffy Clip (BX retainer clip)
120600	3/8” Greenfield (BX)
120800	1/4” In-Line Connector
120802	Red Butt Connector
120902	#74B Wire Nut
120903	Crimp-On Wire Nut
121014	1/4” Insulated (female) Terminal
121026	Tab Receptacle Combination
121499	5-1/2” Harness Tie
121500	8” Harness Tie
122503	Harness Tie Mounting Clip
122804	Manometer (water column test gauge)
121507	Snap Wire Tie Screw Mount
880200	Electrical Terminal (assortment) Kit

