



# AD-333 Parts Manual

---

**American Dryer Corporation**  
88 Currant Road  
Fall River MA 02720-4781 USA  
Telephone: +1 (508) 678-9000 / Fax: +1 (508) 678-9447  
e-mail: techsupport@amdry.com

[www.adclaundry.com](http://www.adclaundry.com)

# Retain This Manual In A Safe Place For Future Reference

This product embodies advanced concepts in engineering, design, and safety. If this product is properly maintained, it will provide many years of safe, efficient, and trouble free operation.

***ONLY properly licensed technicians should service this equipment.***

**OBSERVE ALL SAFETY PRECAUTIONS** displayed on the equipment or specified in the installation manual included with the dryer.

The following "FOR YOUR SAFETY" caution must be posted near the dryer in a prominent location.

## FOR YOUR SAFETY

Do not store or use gasoline or other flammable vapors and liquids in the vicinity of this or any other appliance.

## POUR VOTRE SÉCURITÉ

Ne pas entreposer ni utiliser d'essence ni d'autres vapeurs ou liquides inflammables à proximité de cet appareil ou de tout autre appareil.

We have tried to make this manual as complete as possible and hope you will find it useful. The manufacturer reserves the right to make changes from time to time, without notice or obligation, in prices, specifications, colors, and material, and to change or discontinue models.

## Important

For your convenience, log the following information:

DATE OF PURCHASE \_\_\_\_\_ MODEL NO. **AD-333**

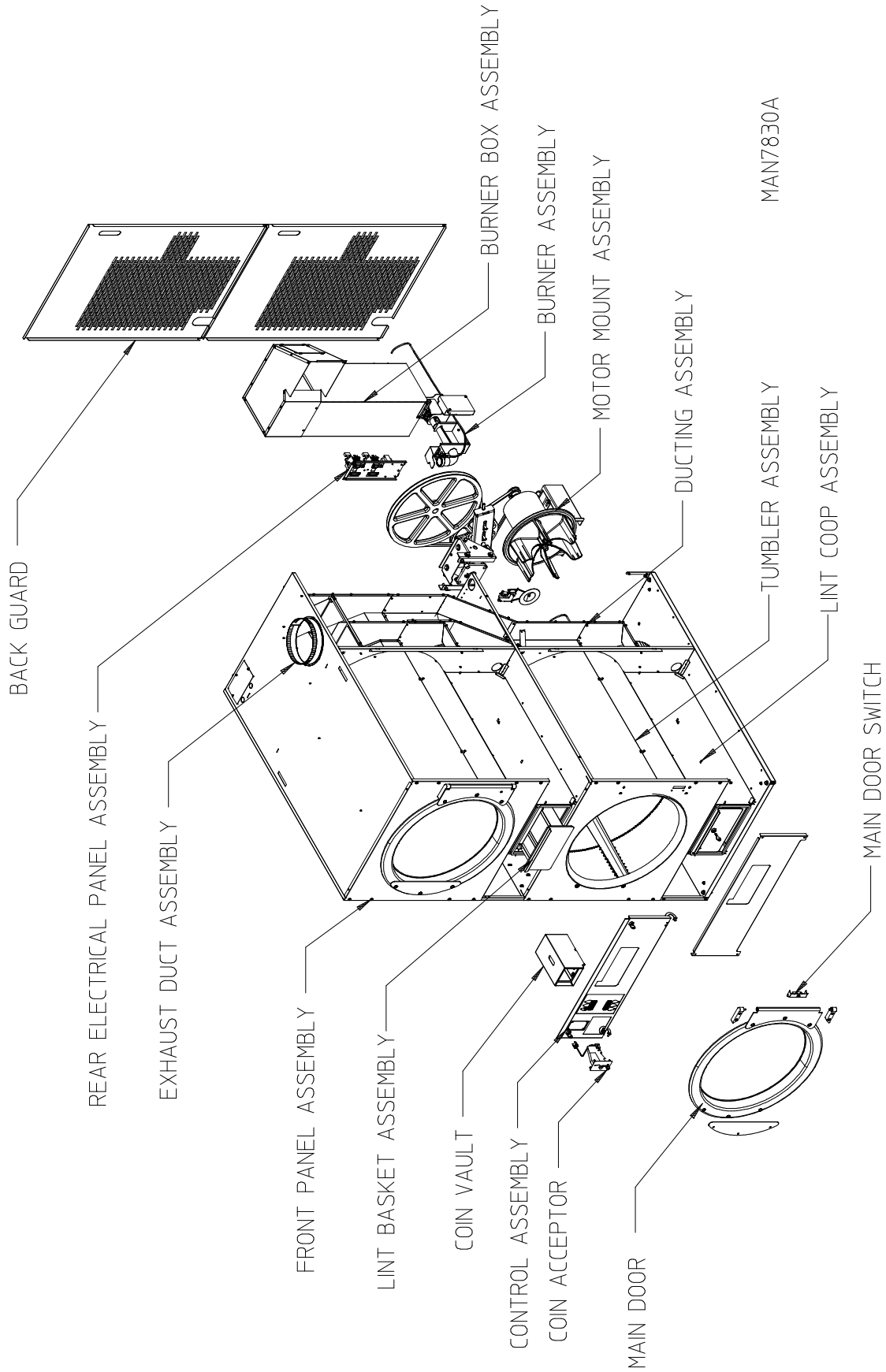
RESELLER'S NAME \_\_\_\_\_

Serial Number(s) \_\_\_\_\_

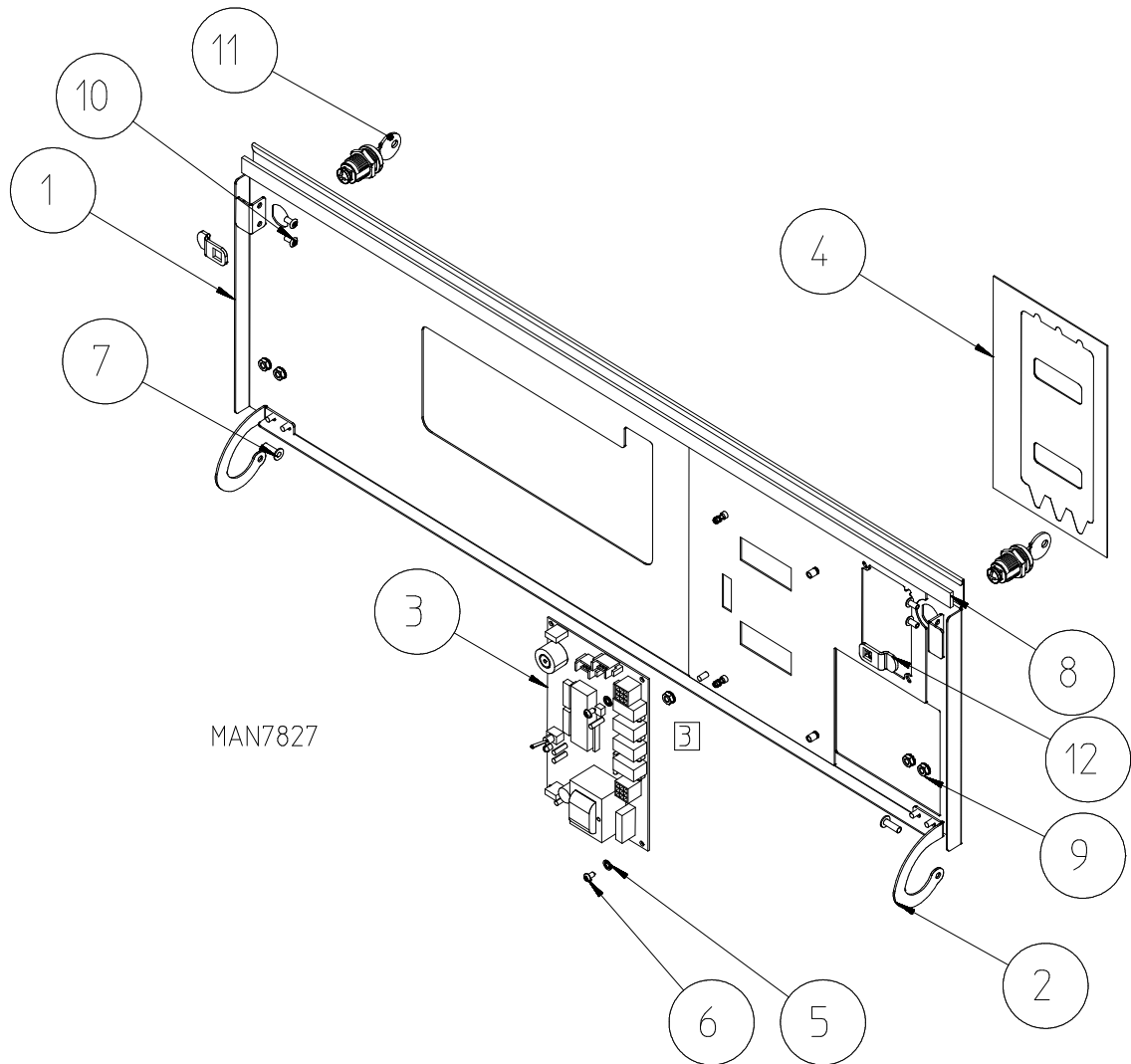
\_\_\_\_\_

\_\_\_\_\_





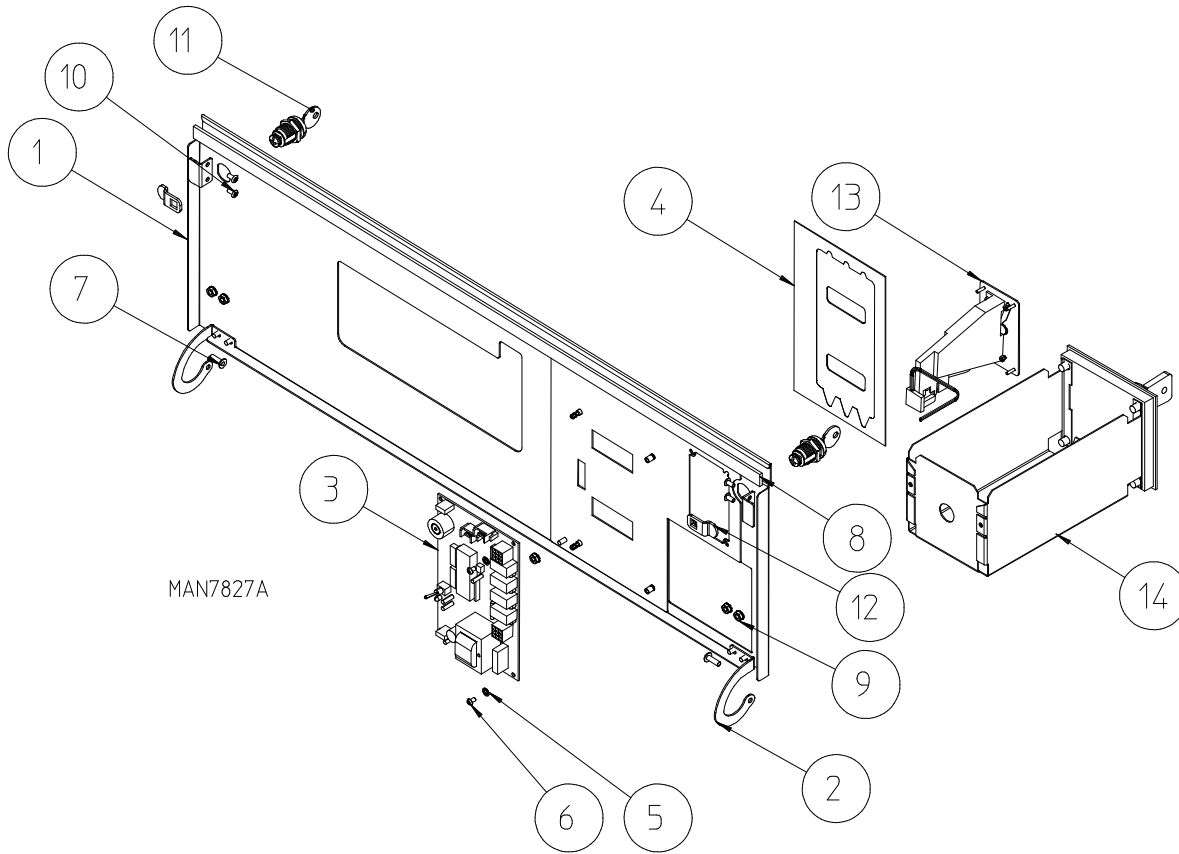
MAN7830A



Illus. No.	Part No.	Qty.	Description
1	833552*	1	Phase 5 OPL Control Panel Assembly Less Acceptor (includes illus. nos. 1 through 12)
	833551*	1	Phase 5 OPL Control Door
2	333964	2	Control Door Hinge
3	137234	1	Phase 5 D.M.C. Computer Board
4	112559	1	Phase 5 DMC Keypad
5	153010	2	#6 Internal Star Washer
6	150005	2	#6-32 x 1/4" Phillips Round Head Machine Screw
7	154220	2	3/16" Pop Rivet
8	117605	3	1/4" x 3/8" Noise Suppression Tape
9	153073	5	#8-32 Keps Nut
10	154200	4	5/32" Pop Rivet
11	160015	2	MK-100 Lock with Key
12	160052	2	1" Cam with 3/16" Offset

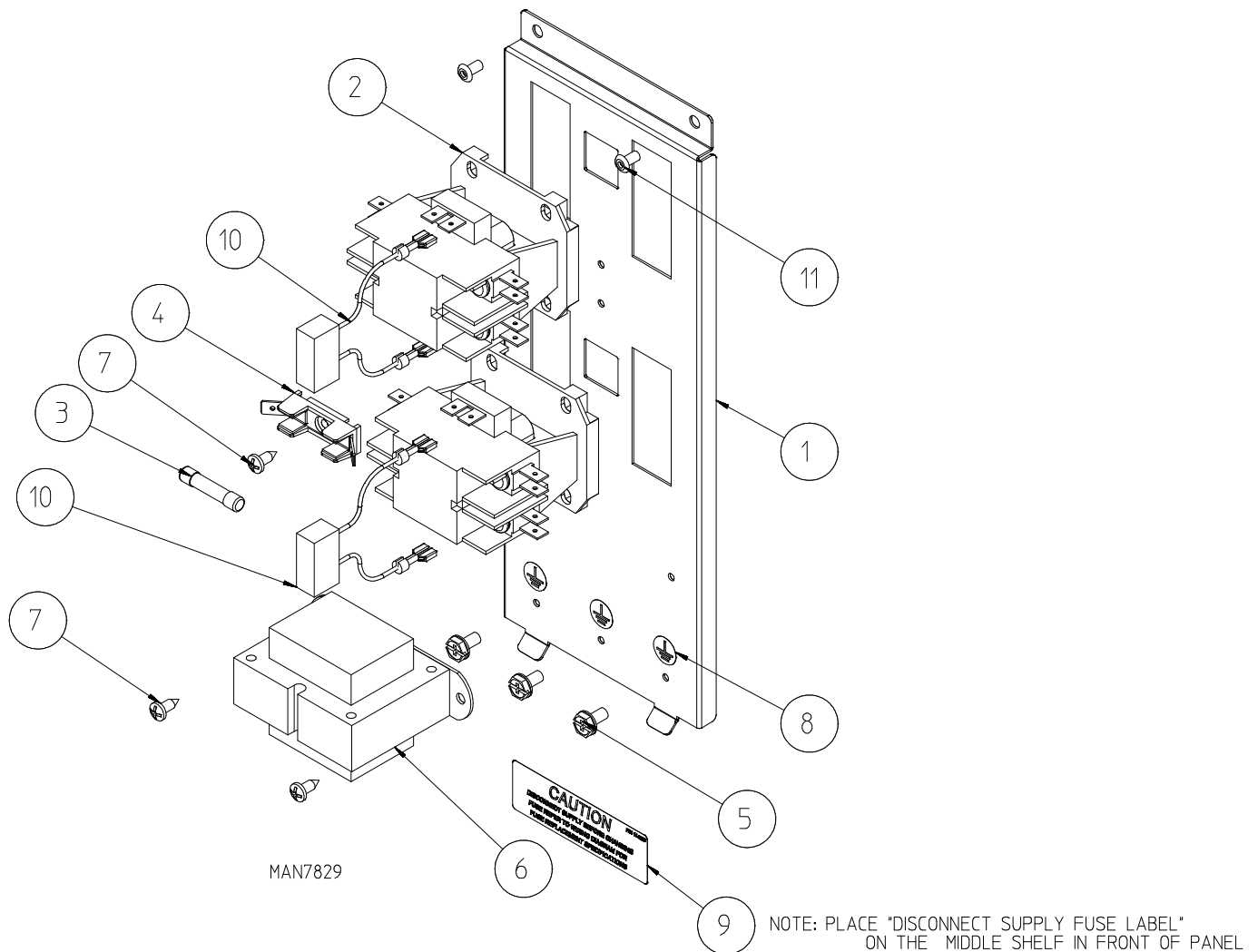
\* Specify color.

# Coin Control Door Assemblies



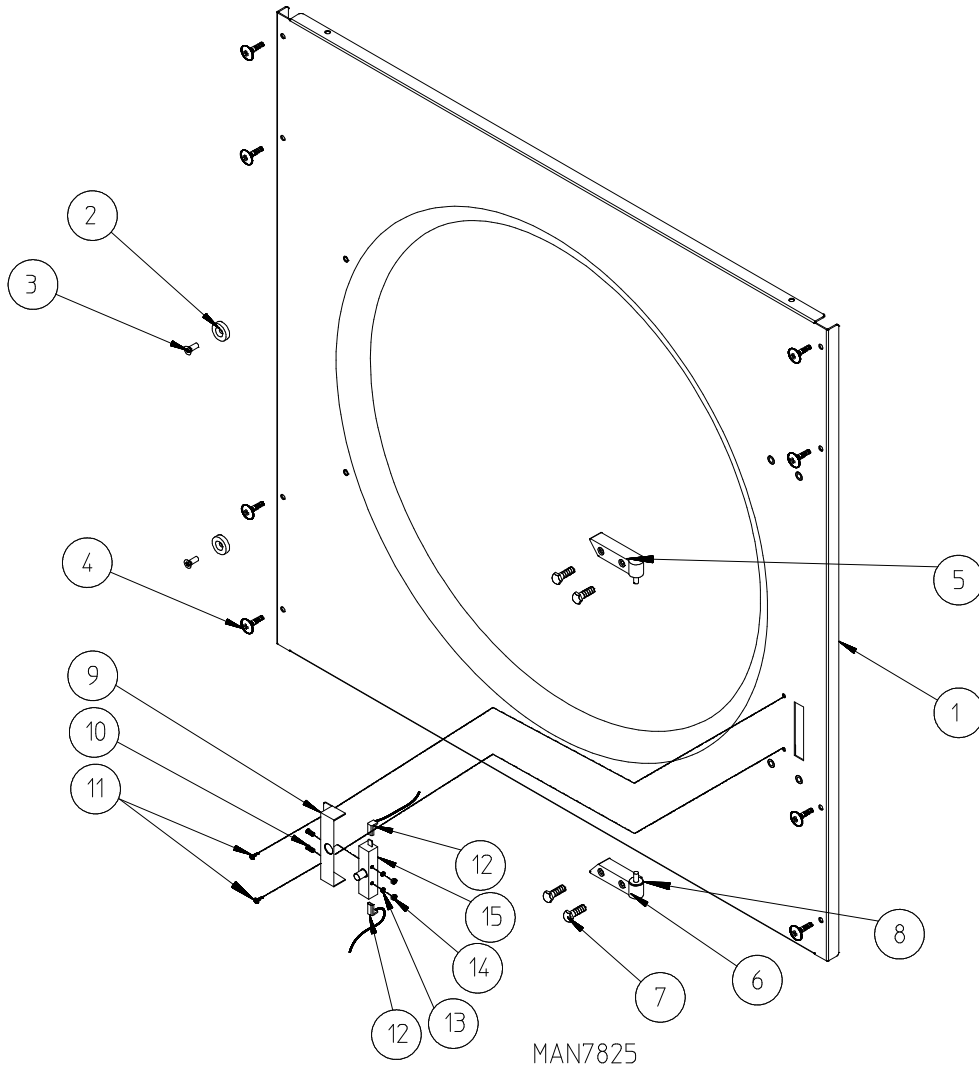
<u>Illus. No.</u>	<u>Part No.</u>	<u>Qty.</u>	<u>Description</u>
1	833543*	1	Phase 5 Coin Control Panel Assembly Less Acceptor (includes illus. nos. 1 through 12)
	833542*	1	Phase 5 Coin Control Door
2	333964	2	Control Door Hinge
3	137234	1	Phase 5 D.M.C. Computer Board
4	112559	1	Phase 5 DMC Coin Keypad
5	153010	2	#6 Internal Star Washer
6	150005	2	#6-32 x 1/4" Phillips Round Head Machine Screw
7	154220	2	3/16" Pop Rivet
8	117605	3	1/4" x 3/8" Noise Suppression Tape
9	153073	5	#8-32 Keps Nut
10	154200	4	5/32" Pop Rivet
11	160015	2	MK-100 Lock with Key
12	160052	2	1" Cam with 3/16" Offset
13	125766	1	Coin Acceptor
	881143	1	Optic Switch
14	125918	1	Coin Box

\* Specify color.



<u>Illus. No.</u>	<u>Part No.</u>	<u>Qty.</u>	<u>Description</u>
1	833521	1	120V Electrical Panel Assembly (includes illus. nos. 1 through 11)
	333947	1	Electrical Component Panel Mount Only
2	132498	2	24V 2-Pole DB Contactor
3	136049	1	3/4 amp Slo-Blo Fuse
4	136008	1	Fuse Holder
5	120910	3	Green Ground Screw
6	802784	1	Phase 5 Transformer Assembly
7	150301	3	#8-18 x 7/16" Phillips Screw
8	112075	3	Ground Symbol Label
9	114506	1	Disconnect Fuse Label
10	824828	2	RC Network with Connectors
11	154200	2	5/32" Pop Rivet
	802753	1	Main Harness ... Not Illustrated
	802754	1	Power and Motor Harness ... Not Illustrated

# Cold Rolled Steel Door Top Front Panel



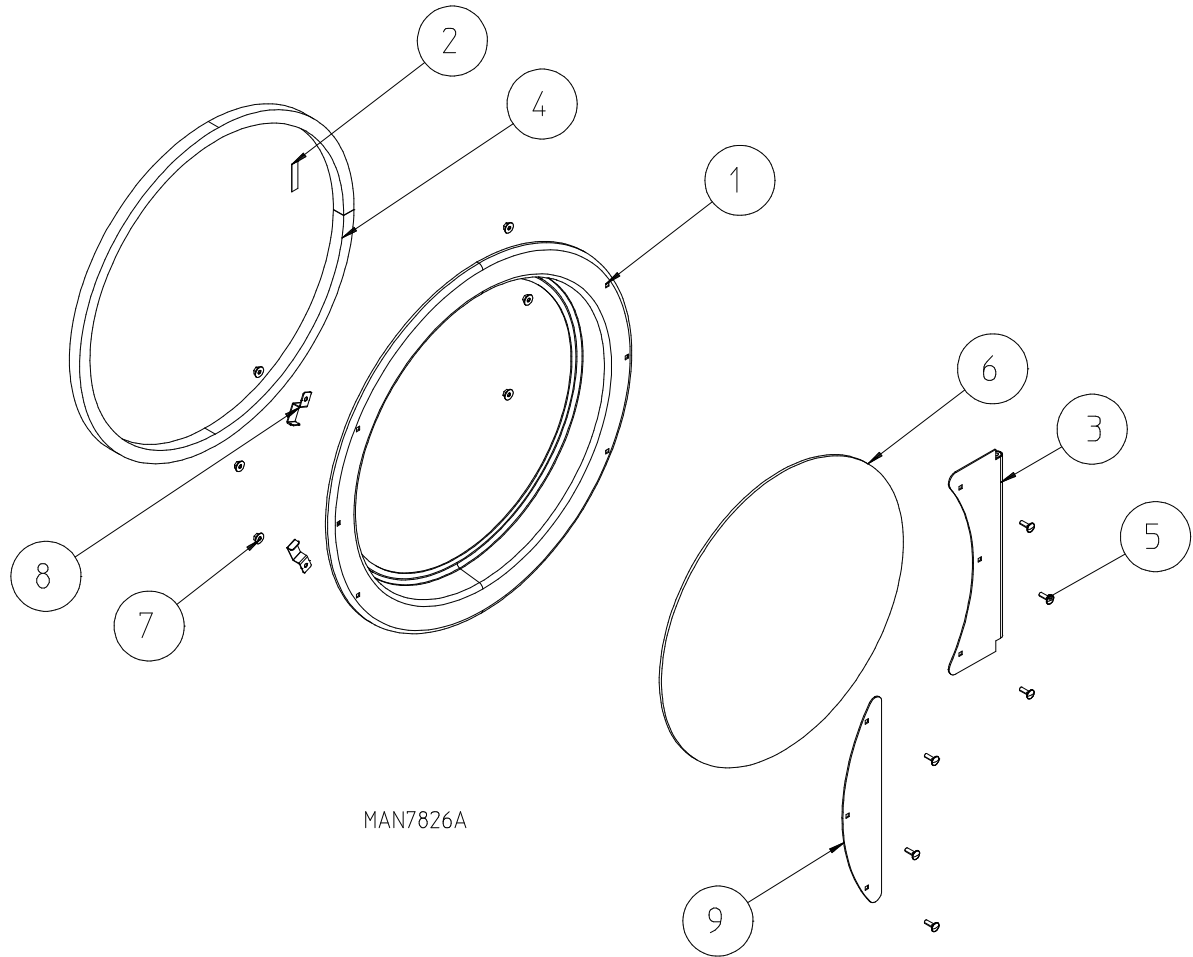
MAN7825

<u>Illus. No.</u>	<u>Part No.</u>	<u>Qty.</u>	<u>Description</u>
1	833515*	1	Top Front Panel Assembly (includes illus. nos. 1 through 3)
	822677*	1	Top Front Panel
2	102004	2	Round Door Magnet
3	152223	2	#10-32 x 1/2" Flat Undercut Head Machine Screw
4	150313	8	#10-16 x 1/2" TORX® and Button Screw
5	881152	1	Top Black Hinge Block
6	881151	1	Bottom Black Hinge Block
7	150445	2	1/4-20 x 3/4" Black Cap Head Setscrew
8	153051	1	1/4" Nylon Washer
9	353162	1	Main Door Switch Housing
10	150006	2	#6-32 x 7/8" Phillips Pan Head Machine Screw
11	150301	2	#8-18 x 7/16" Phillips Pan Head Tek Screw
12	122636	2	Flag Terminal
13	153010	2	#6 Star Washer
14	152013	2	#6-32 Hex Nut
15	137005	1	SDS Door Switch
	800453	1	Door Switch Assembly (includes illus. nos. 9 and 13 through 15)

\* Specify color.

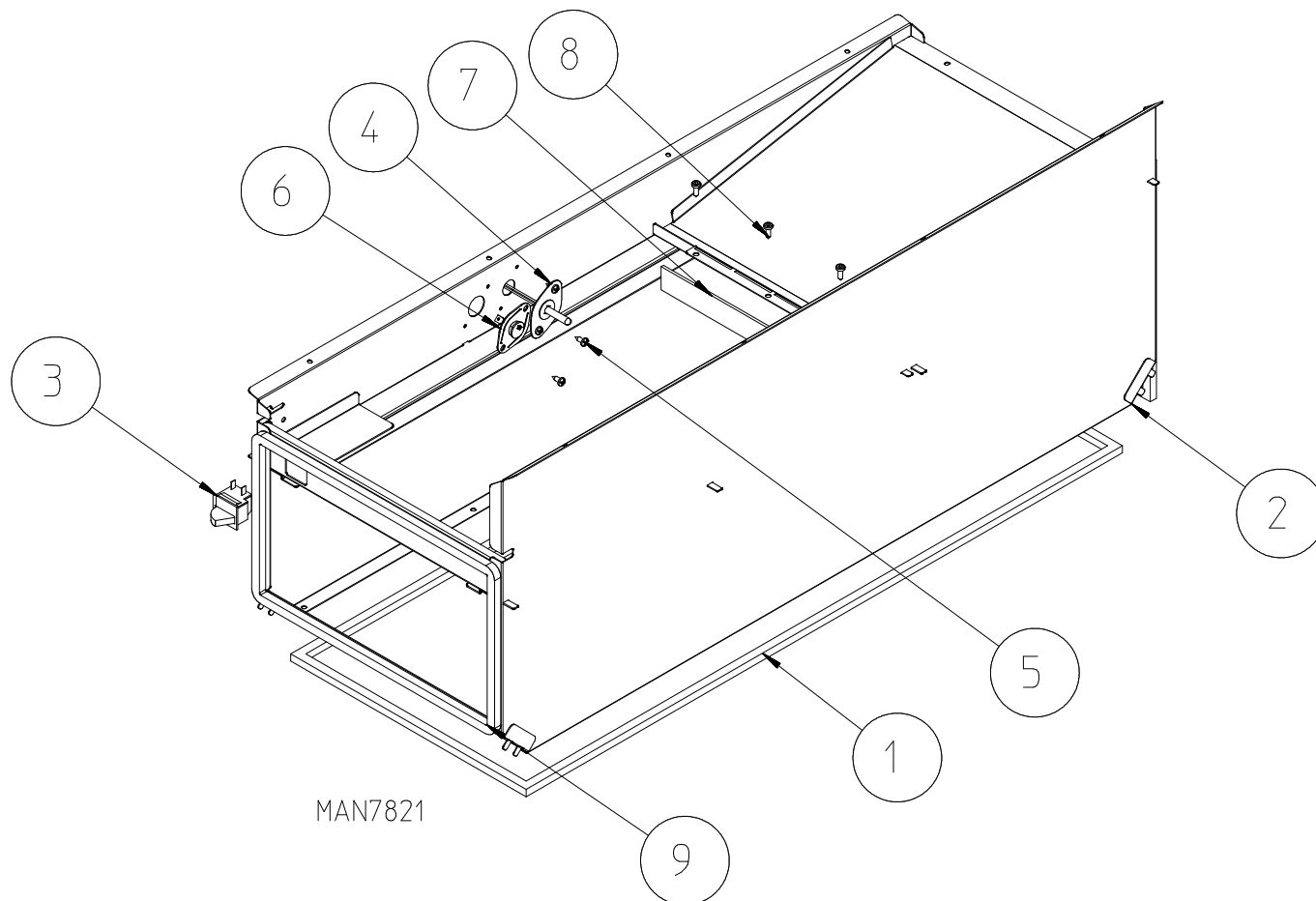


# Magnetic Main Door Cold Rolled Steel Assembly



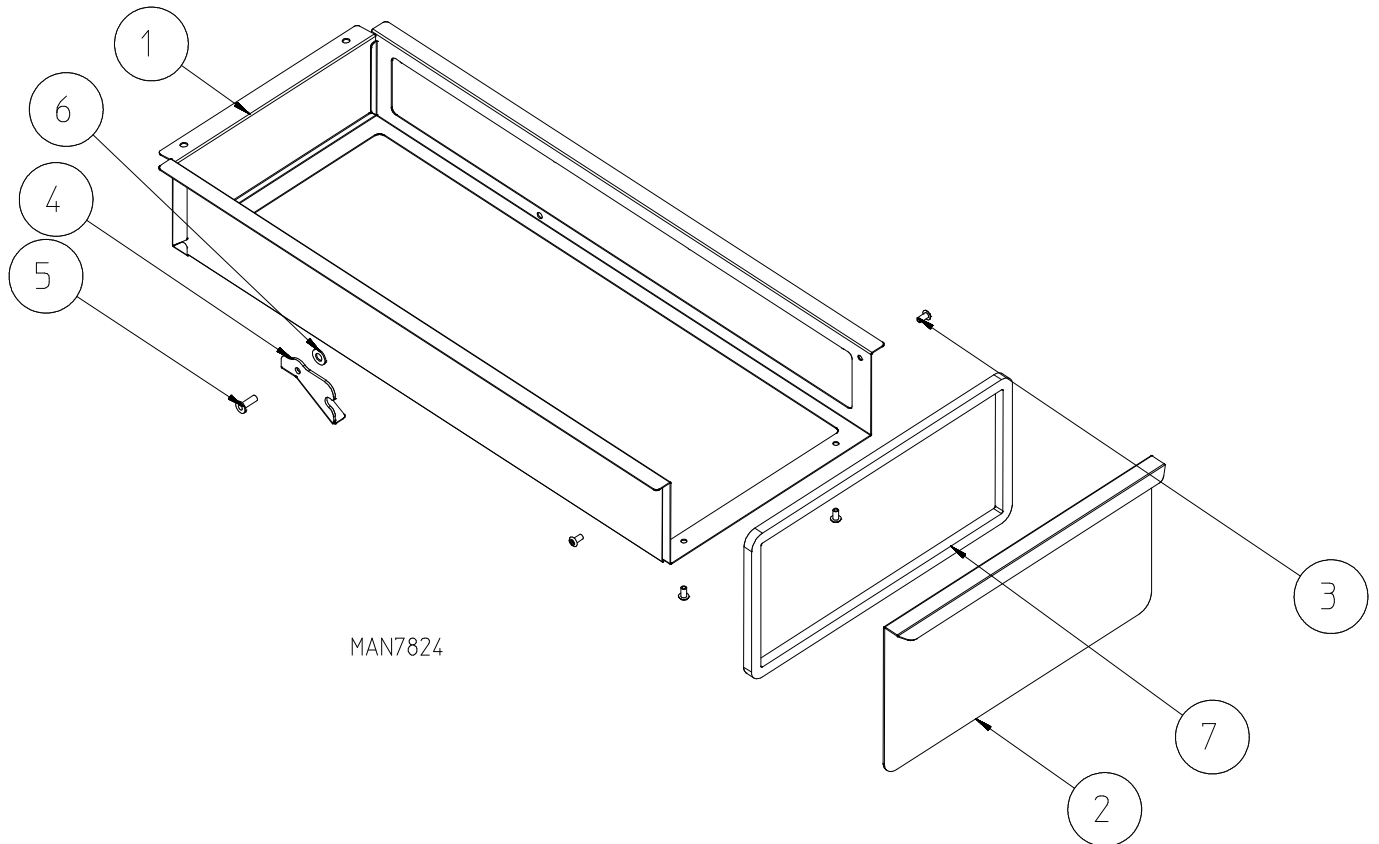
<u>Illus. No.</u>	<u>Part No.</u>	<u>Qty.</u>	<u>Description</u>
1	822661	1	Magnetic Black Main Door Assembly Complete (includes illus. nos. 1 through 9)
2	110006	1	1/2" Black Strapping Tape
3	851033	1	Cold Rolled Steel Main Door Hinge
4	102354	1	Door Gasket
5	150683	6	1/4-20 x 5/8" Carriage Bolt
6	102224	1	Main Door Glass without Notch
	401055	1	Black Silicone ... Not Illustrated
7	152014	6	1/4-20 Hex Flange Nut
8	319298	2	31-1/4" Main Door Magnet Bracket
9	170337	1	Cold Rolled Steel Main Door Handle

# Lint Coop Compartment



<u>Illus. No.</u>	<u>Part No.</u>	<u>Qty.</u>	<u>Description</u>
1	117617	10	3/8" x 5/16" Foam Gasket
2	833548	1	Lint Coop Assembly
	833545	1	Lint Coop
3	122002	1	Lint Draw Switch
4	833522	1	Exhaust Sensor Probe Assembly
5	150301	2	#8-18 x 7/16" Phillips Head Screw
6	130107	1	160° Automatic High Limit
7	116049	1	Lint Coop Felt
8	150331	3	TORX® Screw
9	117617	4	Foam Gasket

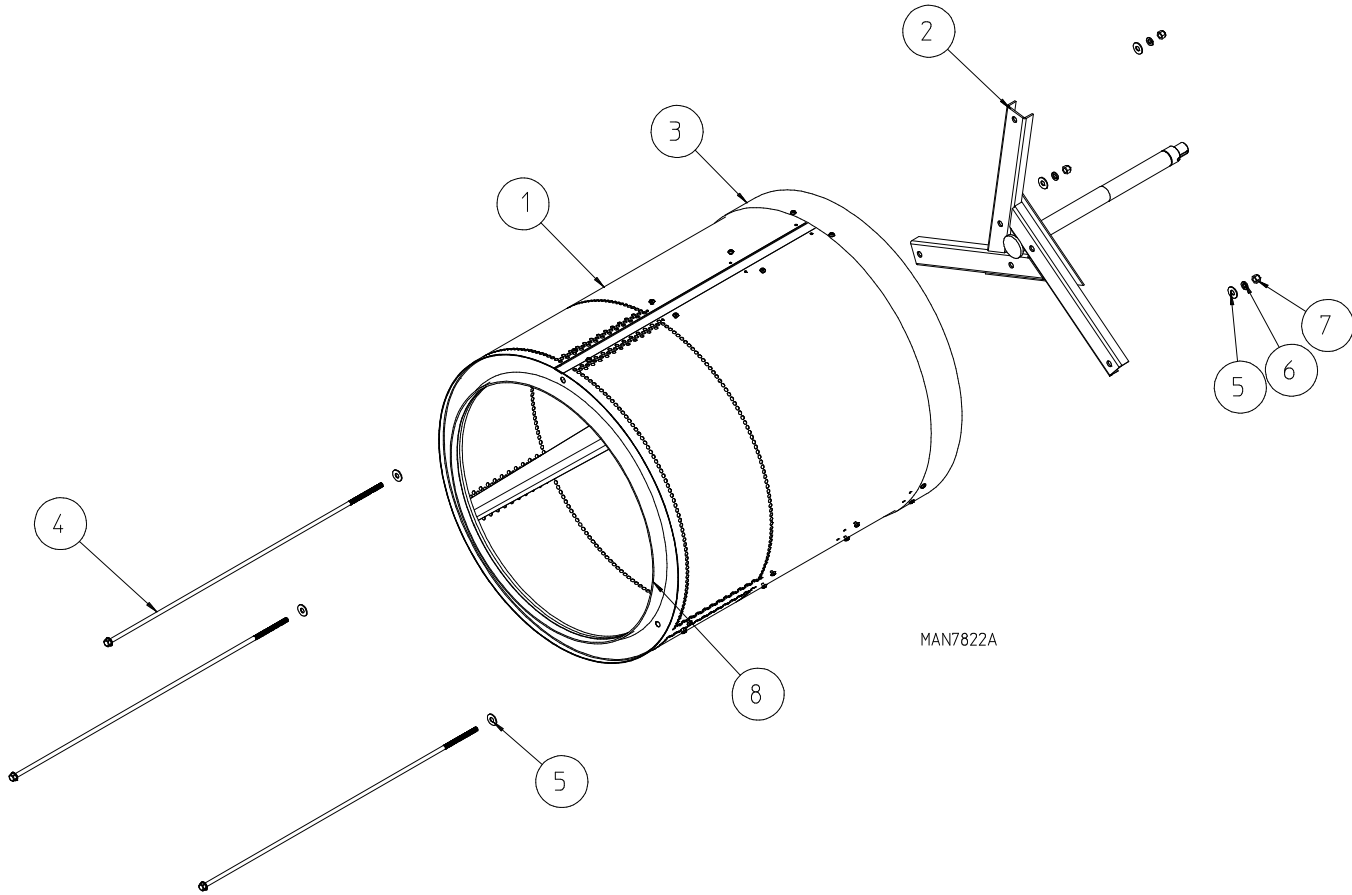
# Lint Drawer (Basket) Assembly



Illus. No.	Part No.	Qty.	Description
1	833510*	1	Lint Drawer Assembly (includes illus. nos. 1 through 7)
	833511*	1	Lint Drawer Body
2	833512*	1	Lint Drawer Handle Cold Rolled Steel
3	154211	4	5/32" Buttonhead Rivet
4	345048	1	Lint Drawer Stop
5	154220	1	3/16" Pop Rivet
6	153022	1	#10 Flat Washer
7	117617	3	3/8" x 5/16" Sponge Tape

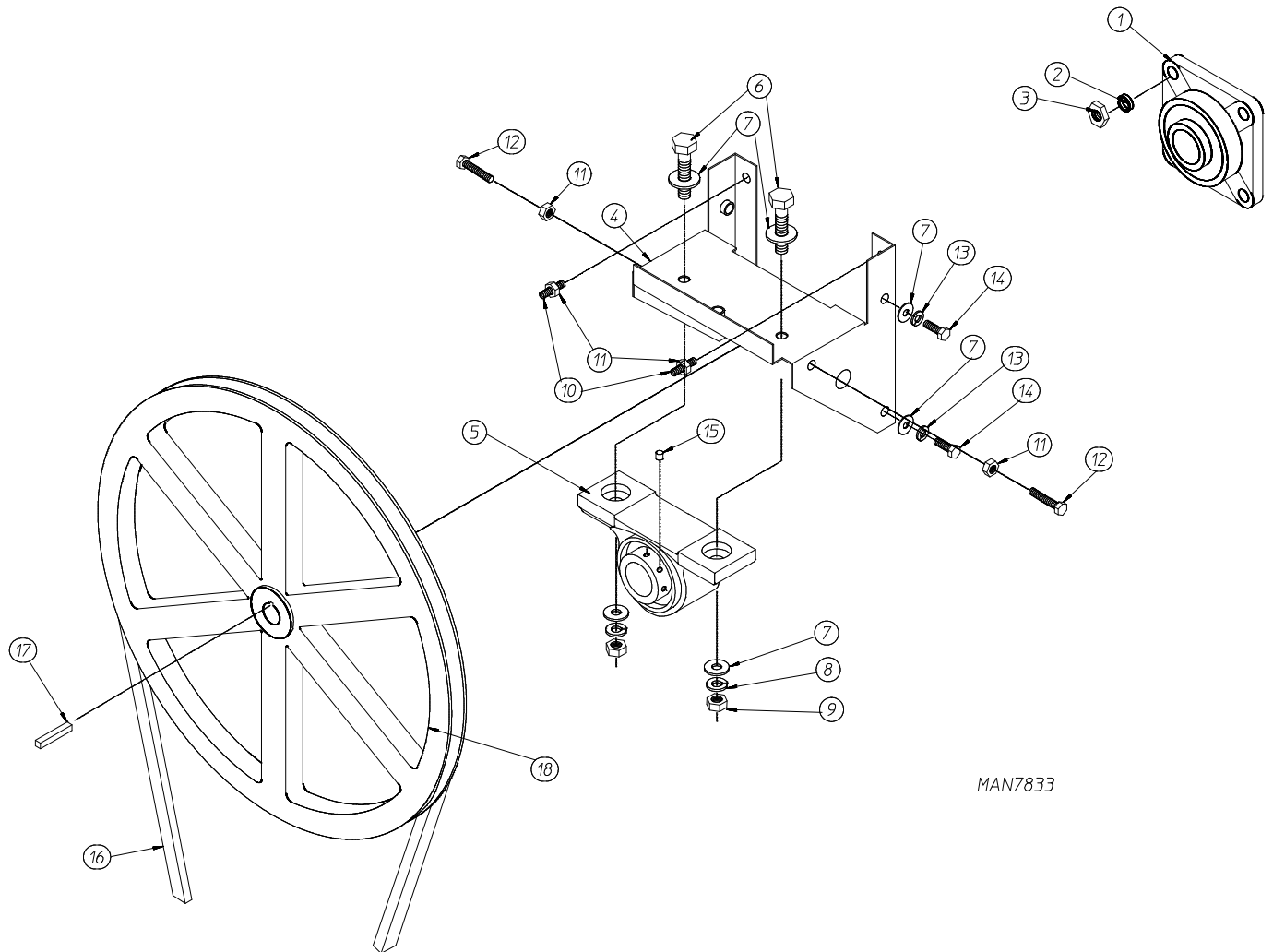
\* Specify color.

# Tumbler Support Assemblies



<u>Illus. No.</u>	<u>Part No.</u>	<u>Qty.</u>	<u>Description</u>
1	833549	1	Tumbler and Support Assembly Complete with Felt Collar (includes illus. nos. 1 through 8)
	801319	1	Tumbler Only without Felt Collar
2	850064	1	Tumbler Support Only
3	115999	1	Tumbler Felt Collar
4	100915	3	3/8-16 x 31-1/8" Tie Rod
5	153004	6	3/8" Flat Washer
6	153005	3	3/8" Lock Washer
7	152027	3	3/8-16 Hex Nylon Insert Lock Nut
8	115992	1	Inner Ring Tumbler Felt Collar

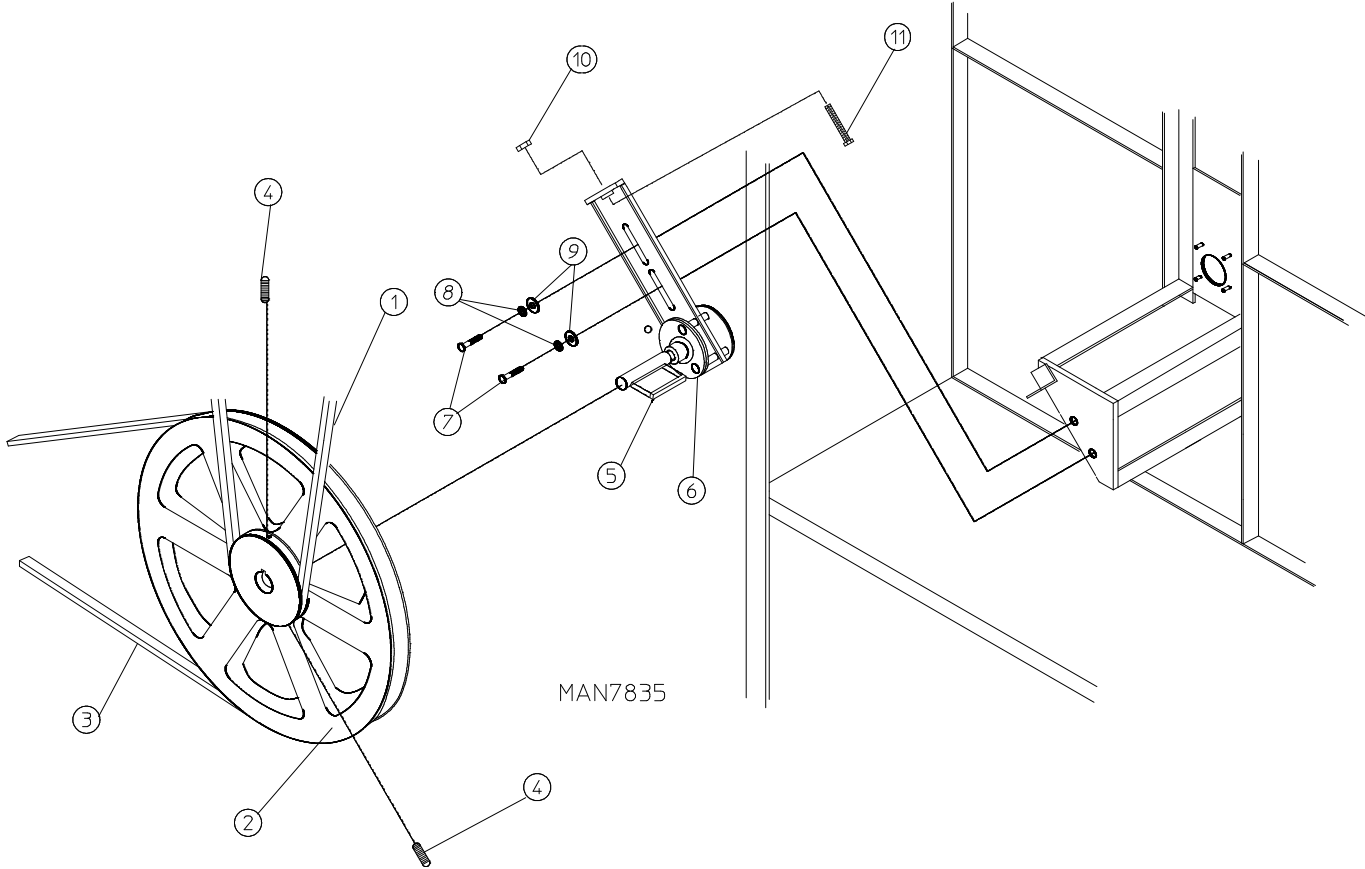
# Tumbler Bearing Assembly



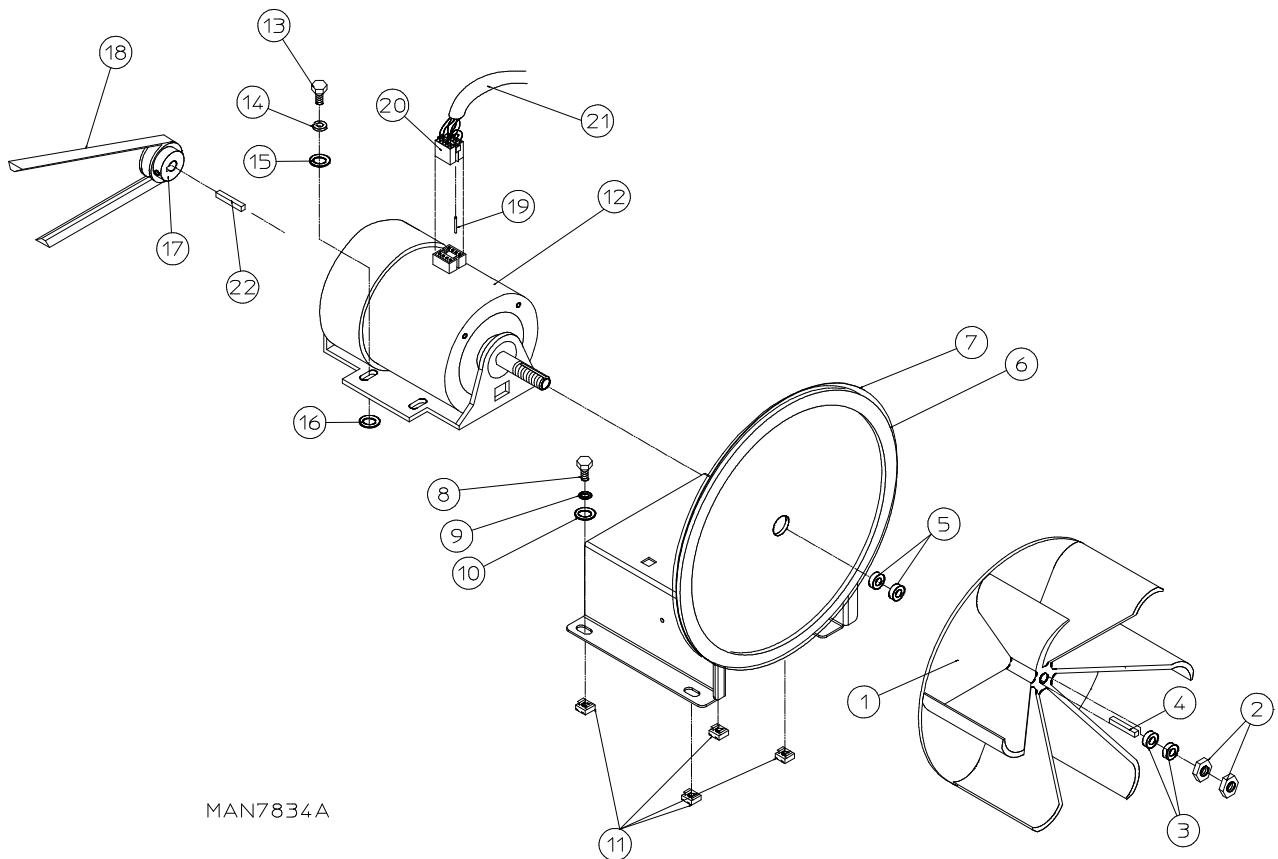
MAN7833

<u>Illus. No.</u>	<u>Part No.</u>	<u>Qty.</u>	<u>Description</u>
1	880203	1	1-3/8" Flange Bearing
2	153005	4	3/8" Lock Washer
3	152005	4	3/8-16 Hex Nut
4	800981	1	Pillow Block Bearing Assembly Complete (includes illus. nos. 4 through 15)
	800980	1	Pillow Block Bearing Support Only
5	880202	1	1-3/8" Pillow Block Bearing (includes illus. nos. 5, 10, and 15)
6	150601	2	3/8-16 x 2" Hex Bolt
7	153004	8	3/8" Flat Washer
8	153005	2	3/8" Lock Washer
9	152005	2	3/8-16 Hex Nut
10	154321	2	5/16-24 x 3/8" Black Setscrew
11	152004	4	5/16-18 Hex Nut
12	150621	2	5/16-18 x 1-1/2" Tap Bolt
13	153002	4	5/16" Lock Washer
14	150501	4	5/16-18 x 3/4" Tap Bolt
15	150610	2	5/16-18 x 1-1/2" Allen Setscrew
16	100100	1	5L-660 V-Belt (to idler assembly)
17	100713	1	1/4" x 1/4" x 7/8" Key
18	884042	1	18" Pulley

# Idler Bearing Assembly



<u>Illus. No.</u>	<u>Part No.</u>	<u>Qty.</u>	<u>Description</u>
1	100100	1	50660R V-Belt
2	101129	1	9" x 2-1/2" Pulley
3	100113	1	4L-400 V-Belt (To Motor Pulley) for 60 Hz Models Only
4	154301	2	5/16-18 x 1" Allen Setscrew
5	100705	1	3/16" x 3/16" x 1-3/8" Key
6	882777	1	Idler Bearing Assembly Complete (includes illus. nos. 5 through 11)
7	150617	2	3/8-16 x 1" Hex Head Machine Bolt
8	153005	2	3/8" Lock Washer
9	153004	2	3/8" Flat Washer
10	152004	1	5/16-18 Hex Nut
11	150509	1	5/16-18 x 3" Hex Head Machine Bolt

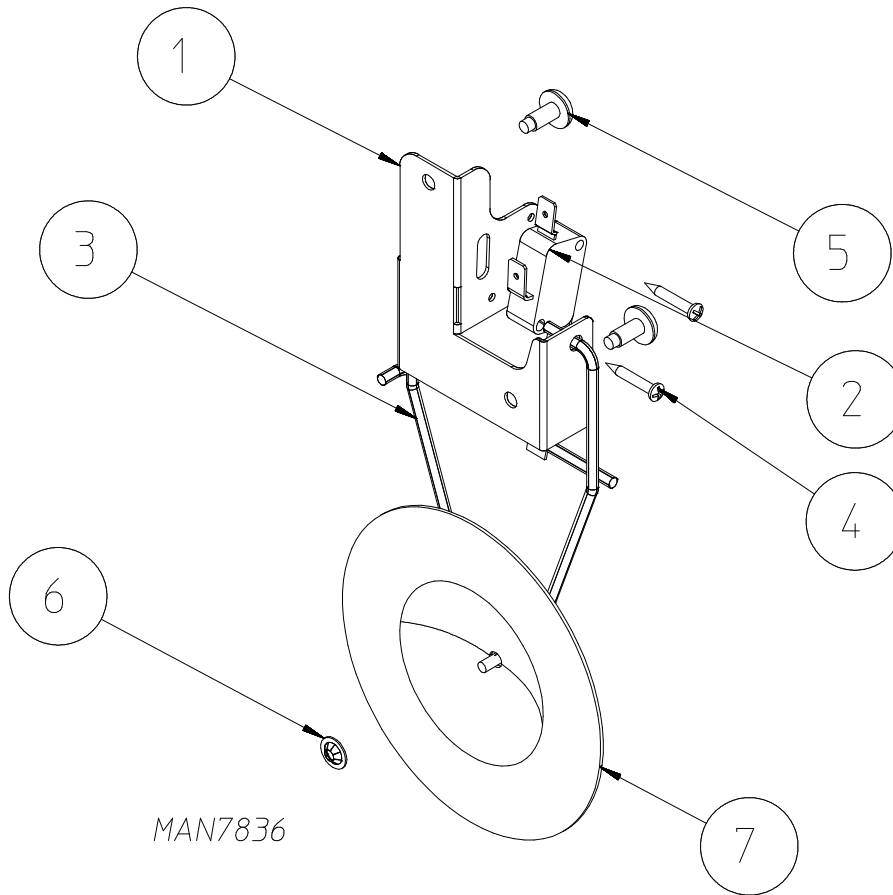


MAN7834A

<u>Illus. No.</u>	<u>Part No.</u>	<u>Qty.</u>	<u>Description</u>
1	100604	1	12-1/2" Impellor with 1/2" Bore
2	152006	2	1/2-20 Left-Hand Jam Nut
3	153050	*	1/2" S.A.E. Flat Washer
4	100723	1	1/8" x 1/8" x 1-3/8" Key
5	153050	*	1/2" S.A.E. Flat Washer
6	117617	4	1/8" x 3/8" Sponge Tape (sold by the foot)
7	833519	1	Motor Mount Only
	833537	1	1/2 hp 115-230v 1ø 60 Hz Motor Mount Assembly Complete with Plug Motor (includes illus. nos. 1 through 7 and 11 through 17)
8	150501	4	5/16-18 x 3/4" Hex Head Machine Bolt
9	153002	4	5/16" Lock Washer
10	153001	4	5/16" Flat Washer
11	154000	4	5/16-18 Tinnerman Nut
12	181049	1	1/2 hp 100-230v 1ø 50/60 Motor with Plug
13	150501	4	5/16-18 x 3/4" Hex Head Machine Bolt
14	153002	4	5/16" Lock Washer
15	153001	4	5/16" Flat Washer
16	153001	*	5/16" Flat Washer
17	101131	1	1/2" x 2-1/4" Motor Pulley (for use on 1ø, 60 Hz models Only)
18	100113	1	4L-400 V-Belt (to idler) for 60 Hz Models Only
19	122701	8	Socket Terminal
20	137030	1	8-Pin Housing
	122801	1	Pin / Socket Extraction Tool ... Not Illustrated
21	826316	1	120v 1ø Motor Harness with Plug
22	100723	1	1/8" x 1/8" x 1-3/8" Key (for use on 1ø models Only)

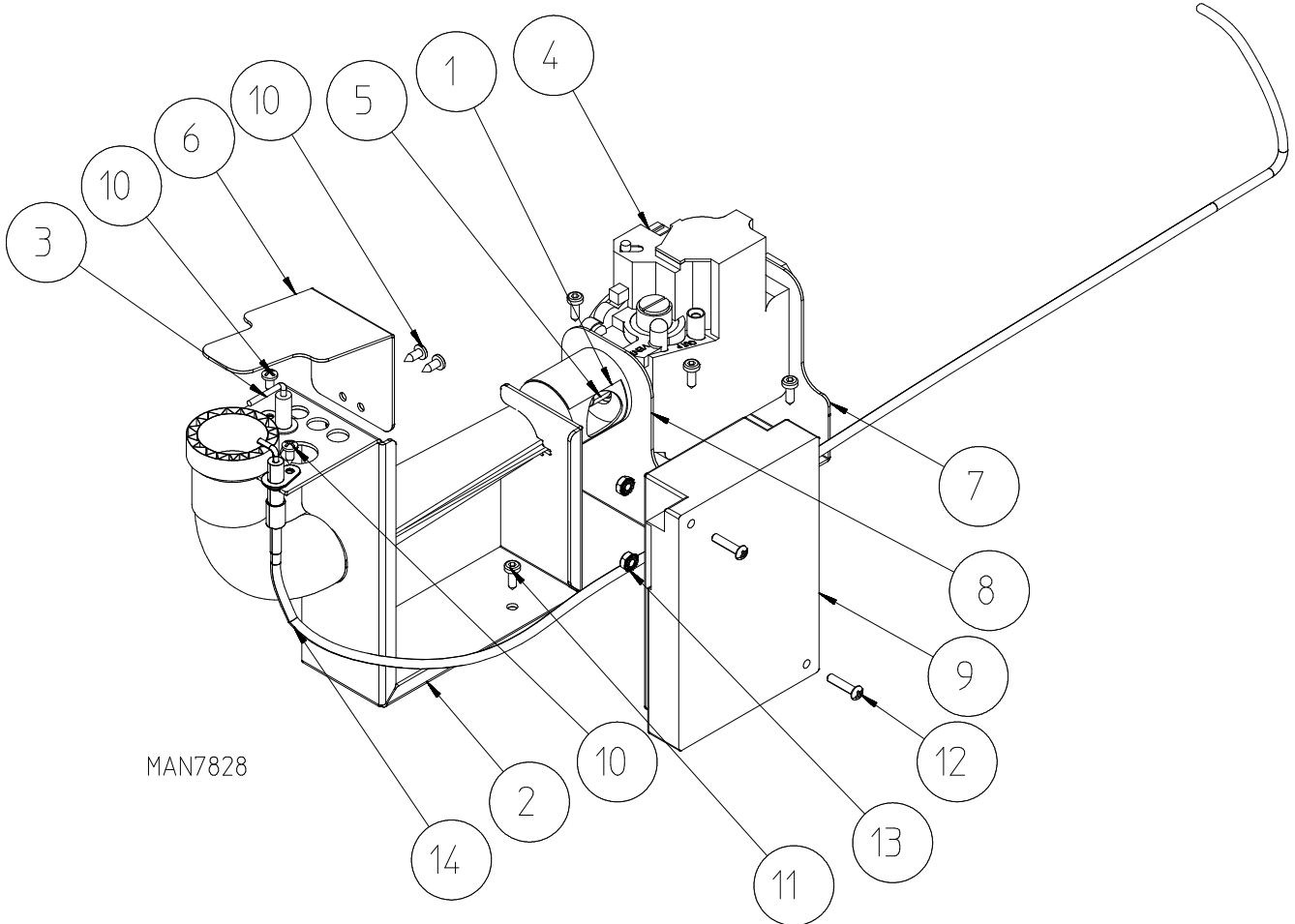
\* As required.

# Sail Switch Assembly



<u>Illus. No.</u>	<u>Part No.</u>	<u>Qty.</u>	<u>Description</u>
1	833520	1	Sail Switch Assembly Complete (includes illus. nos. 1 through 7)
	333958	1	Sail Switch Bracket Only
2	122200	1	Sail Switch
3	105500	1	Sail Switch Rod Assembly
4	150303	2	#4 x 3/4" Phillips Machine Screw
5	150313	2	#10-16 x 1/2" TORX® Screw
6	154002	1	1/8" Push-On Fastener
7	319206	1	Sail Switch Damper





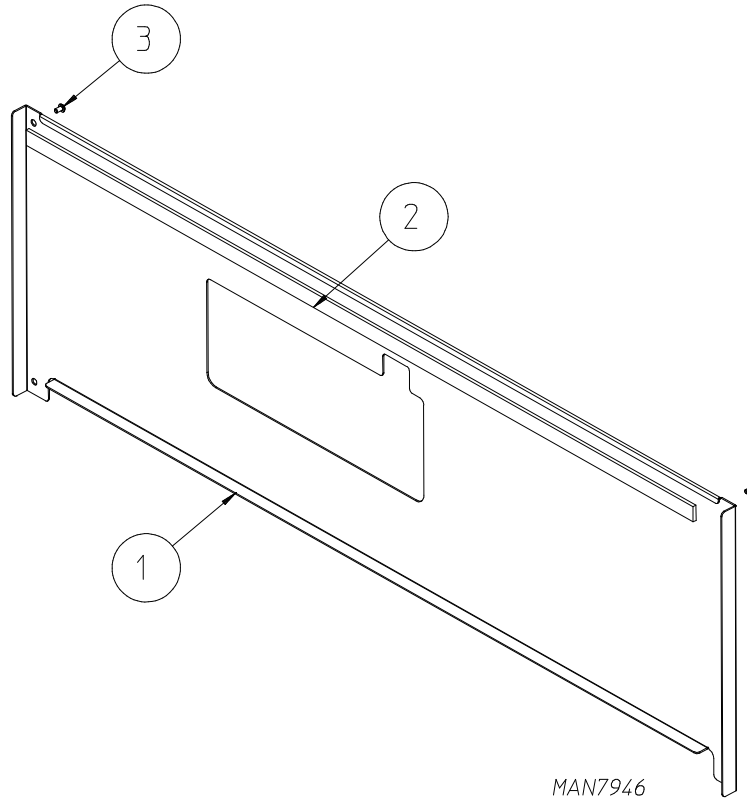
MAN7828

<u>Illus. No.</u>	<u>Part No.</u>	<u>Qty.</u>	<u>Description</u>
1	141130	1	Up-Shot Burner Tube
2	333961	1	Up-Shot Burner Tube Bracket
3	128918	1	Flame Sensor
4	833538*	1	Natural Gas Valve Burner Assembly (includes illus. nos. 1 through 14)
	128979*	1	Natural Gas Valve
5	140908*	1	#20 Burner Orifice (natural gas)
	140909*	1	#41 Burner Orifice (liquid propane)
	884399*	1	Natural Gas to Liquid Propane Conversion Kit
6	312652	1	Flame Spreader
7	333959	1	Gas Valve Pipe Bracket
8	333960	1	Gas Valve Injector Bracket
9	887133	1	Fenwal Direct Spark Ignition Module with 3 Tries
10	150301	4	#8-18 x 7/16" Phillips Screw
11	150331	6	#8-18 x 1/2" TORX® Screw
12	150103	2	#8-32 x 3/4" Phillips Screw
13	153073	2	#8-32 Keps Nut
14	128902	1	Ignitor with 36" Noise Suppression Cable

\* Consult factory for elevations over 2,000 feet.

# Toe Panel

---



---

<u>Illus. No.</u>	<u>Part No.</u>	<u>Qty.</u>	<u>Description</u>
1	884462*	1	Toe Panel Assembly (includes illus. nos. 1 and 2)
2	117605	3	1/4" x 3/8" Neosponge Tape
3	150320	4	#10-16 x 3/4" TORX® PLUS BTN Type 1 Blk

\* Specify color.



