



AD-444 Parts Manual

American Dryer Corporation
88 Currant Road
Fall River MA 02720-4781 USA
Telephone: +1 (508) 678-9000 / Fax: +1 (508) 678-9447
e-mail: techsupport@amdry.com

www.adclaundry.com

Retain This Manual In A Safe Place For Future Reference

This product embodies advanced concepts in engineering, design, and safety. If this product is properly maintained, it will provide many years of safe, efficient, and trouble free operation.

ONLY properly licensed technicians should service this equipment.

OBSERVE ALL SAFETY PRECAUTIONS displayed on the equipment or specified in the installation manual included with the dryer.

The following "FOR YOUR SAFETY" caution must be posted near the dryer in a prominent location.

FOR YOUR SAFETY

Do not store or use gasoline or other flammable vapors and liquids in the vicinity of this or any other appliance.

POUR VOTRE SÉCURITÉ

Ne pas entreposer ni utiliser d'essence ni d'autres vapeurs ou liquides inflammables à proximité de cet appareil ou de tout autre appareil.

We have tried to make this manual as complete as possible and hope you will find it useful. The manufacturer reserves the right to make changes from time to time, without notice or obligation, in prices, specifications, colors, and material, and to change or discontinue models.

Important

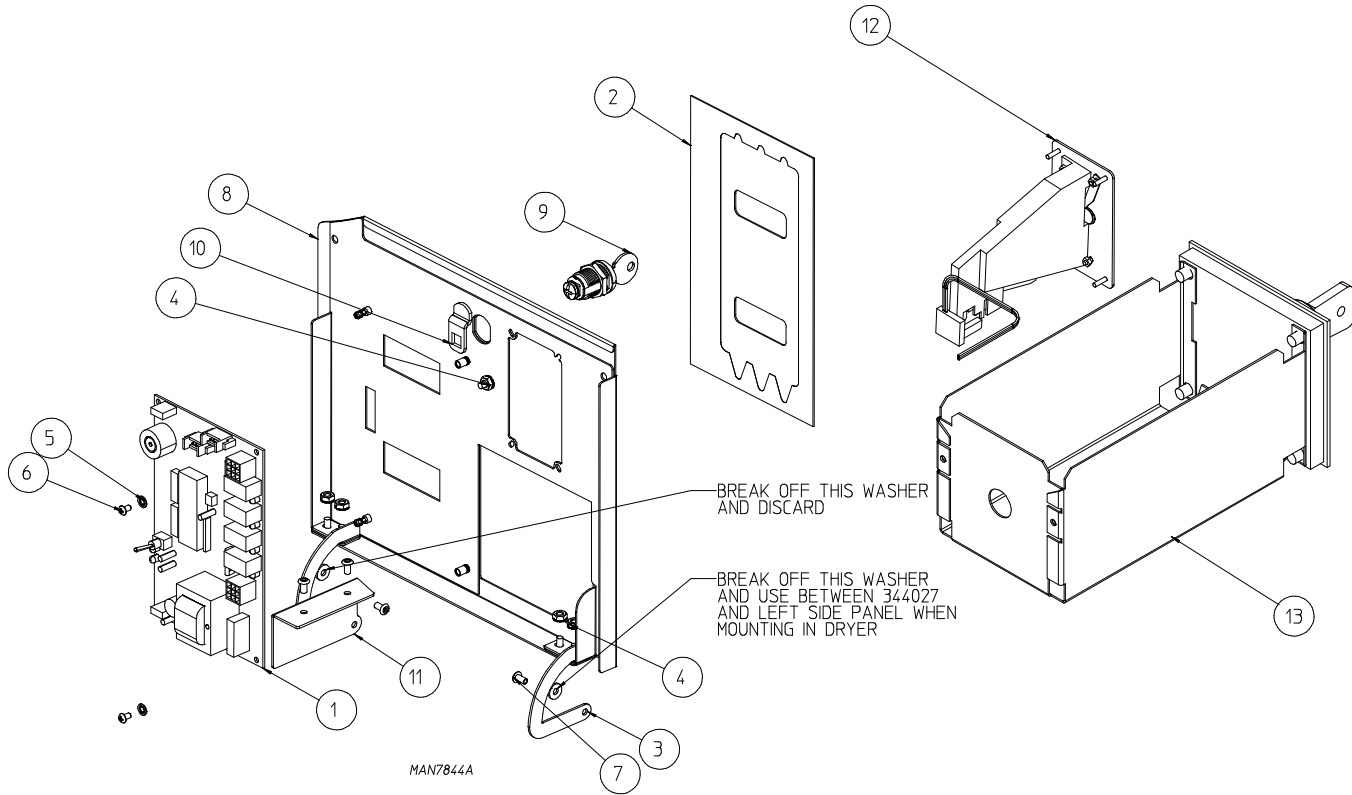
For your convenience, log the following information:

DATE OF PURCHASE _____ MODEL NO. **AD-444**

RESELLER'S NAME _____

Serial Number(s) _____

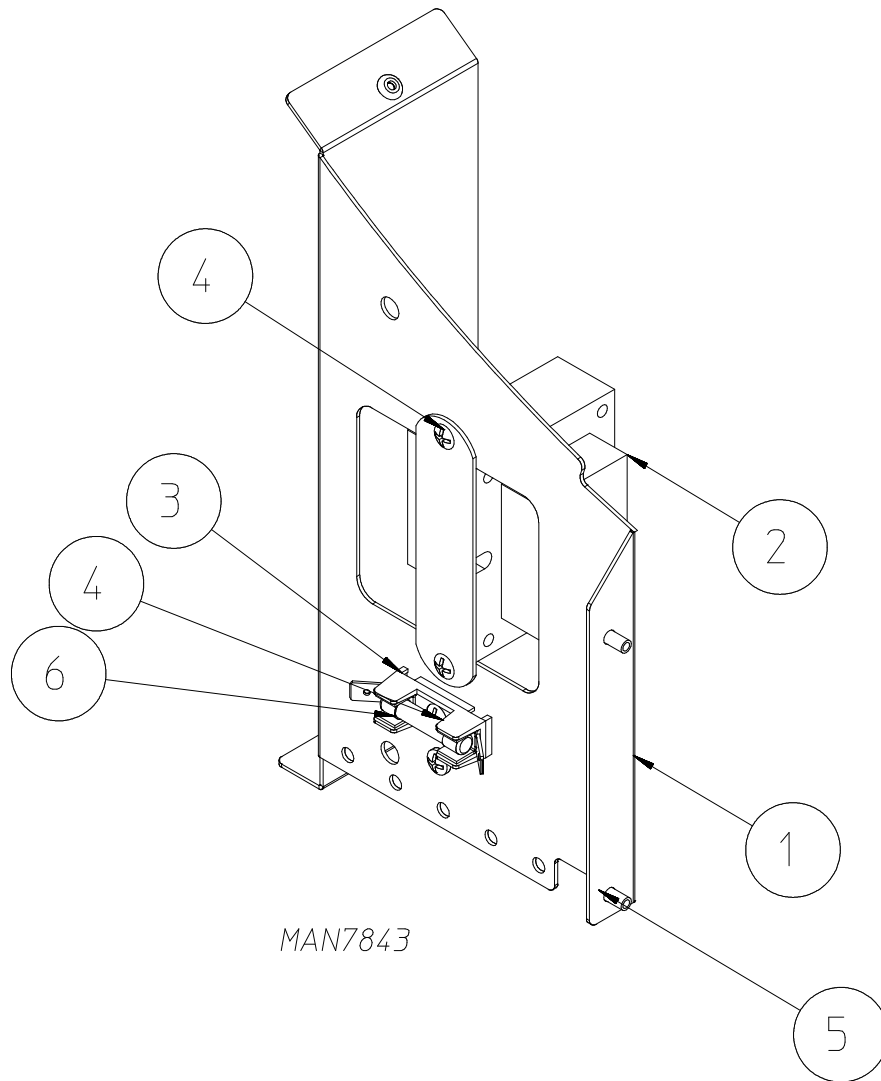
Coin Control Panel Assembly



<u>Illus. No.</u>	<u>Part No.</u>	<u>Qty.</u>	<u>Description</u>
1	137234	1	Phase 5 D.M.C. Computer Board
2	112559	1	Phase 5 D.M.C. Keypad
3	344027	2	Control Panel Hinge Arm
4	153073	5	Key Hole Buttons
5	153010	2	#6 Internal Star Washer
7	154200	4	5/32" Pop Rivet
8	844103	1*	Control Panel Assembly Less Acceptor (includes illus. nos. 1 through 11)
	844120	1*	Control Panel Weldment Only
9	160015	1	MK100 Lock with Hardware
10	160052	1	1" Cam with 3/16" Offset
11	344031	1	Control Door Hinge Base
12	881143	1	Optic Switch
13	125918	1	Coin Box

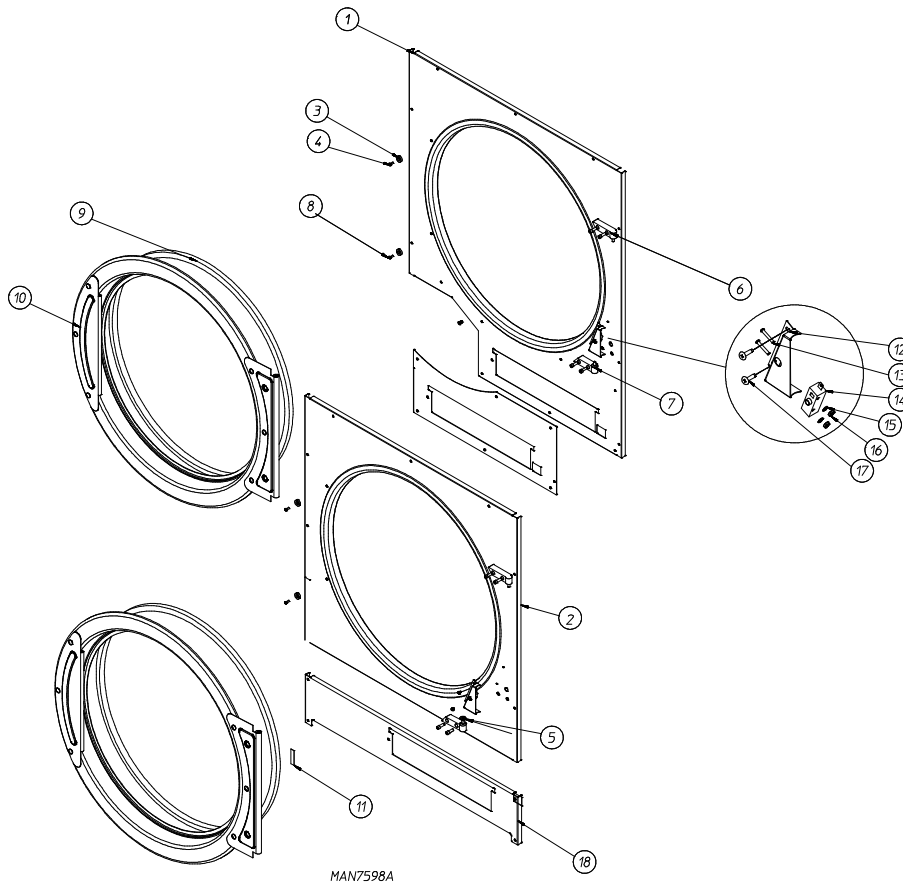
* Specify color.

Wrapper Support and Transformer Assembly



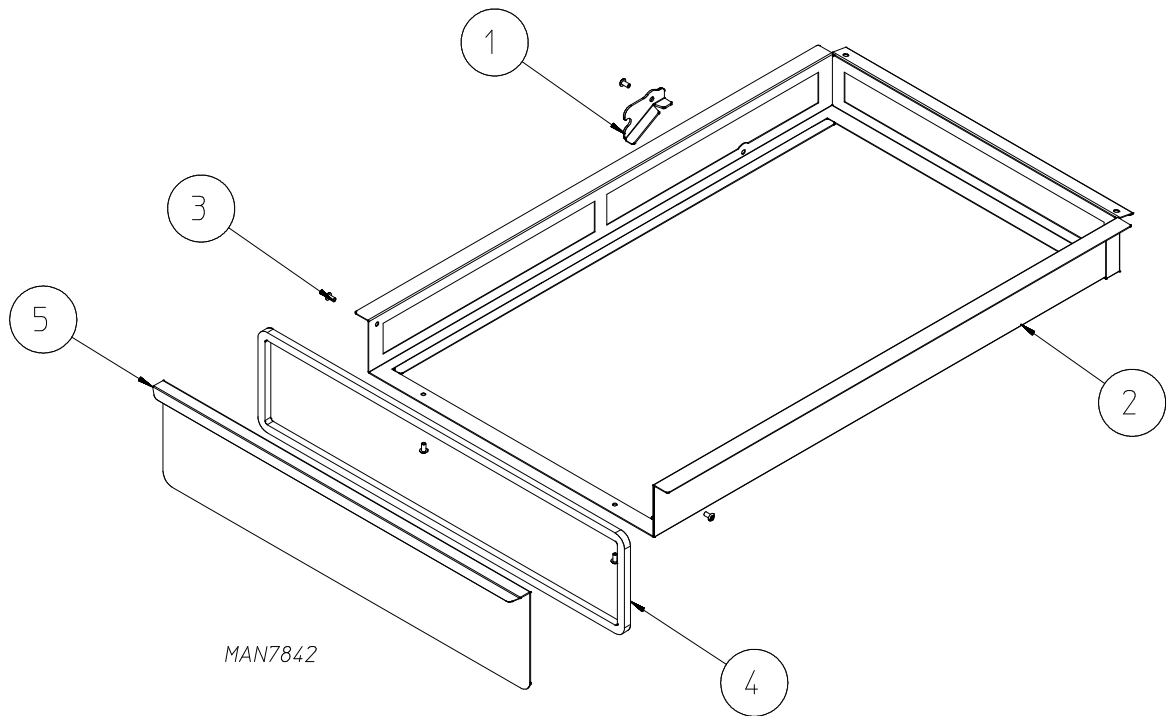
<u>Illus. No.</u>	<u>Part No.</u>	<u>Qty.</u>	<u>Description</u>
1	844131	1	Wrapper Support and Transformer and Fuse Assembly 120V (includes illus. nos. 1 through 6)
	344032	1	Wrapper Support Only
2	802822	1	Transformer Assembly
3	136008	1	Fuse Holder
4	150301	4	#8-18 x 7/16" Phillips Screw
5	154200	4	5/32" Pop Rivet
6	136049	1	3/4" Amp Slo-Blo Fuse

Top and Bottom Front Panels and Door Assembly



<u>Illus. No.</u>	<u>Part No.</u>	<u>Qty.</u>	<u>Description</u>
1	844123	1*	Top Front Panel Assembly Complete (includes illus. nos. 1, 3 through 8 and 12 through 17)
	844122	1	Top Front Panel
	844124	1	Top Front Decorative Panel (black)
2	844125	1*	Bottom Front Panel Assembly Complete (includes illus. nos. 2 through 8 and 12 through 17)
	844126	1	Bottom Front Panel
3	102004	2	Door Magnet
4	152223	2	#10-32 x 1/2" Flat Stainless Steel Machine Screw
5	153031	1	Nylon Washer
6	800293	1	Top Hinge Block with Allen Screws (black)
	150445	2	1/2-20 x 3/4" Allen Screw (black)
7	800292	1	Bottom Hinge Block with Allen Screws (black)
	150445	2	1/2-20 x 3/4" Allen Screw (black)
8	152223	2	#10-32 x 1/2" Flat Stainless Steel Machine Screw
9	185512	1	31-1/4" Main Door Gasket
10	822630	1	31-1/4" Main Door Assembly (black)
11	110006	1	1/2" Black Strapping Tape
12	801789	1	Main Door Switch with Housing (includes illus. nos. 12 through 16)
13	150006	2	#6-32 x 8.75 Phillips Machine Screw
14	137005	1	Main Door Switch
15	153010	2	#6 Star Washer
16	152013	2	#6-32 Hex Nut
17	150201	2	#10-32 x 1/4" Phillips Screw
18	844162	1*	Toe Panel Assembly

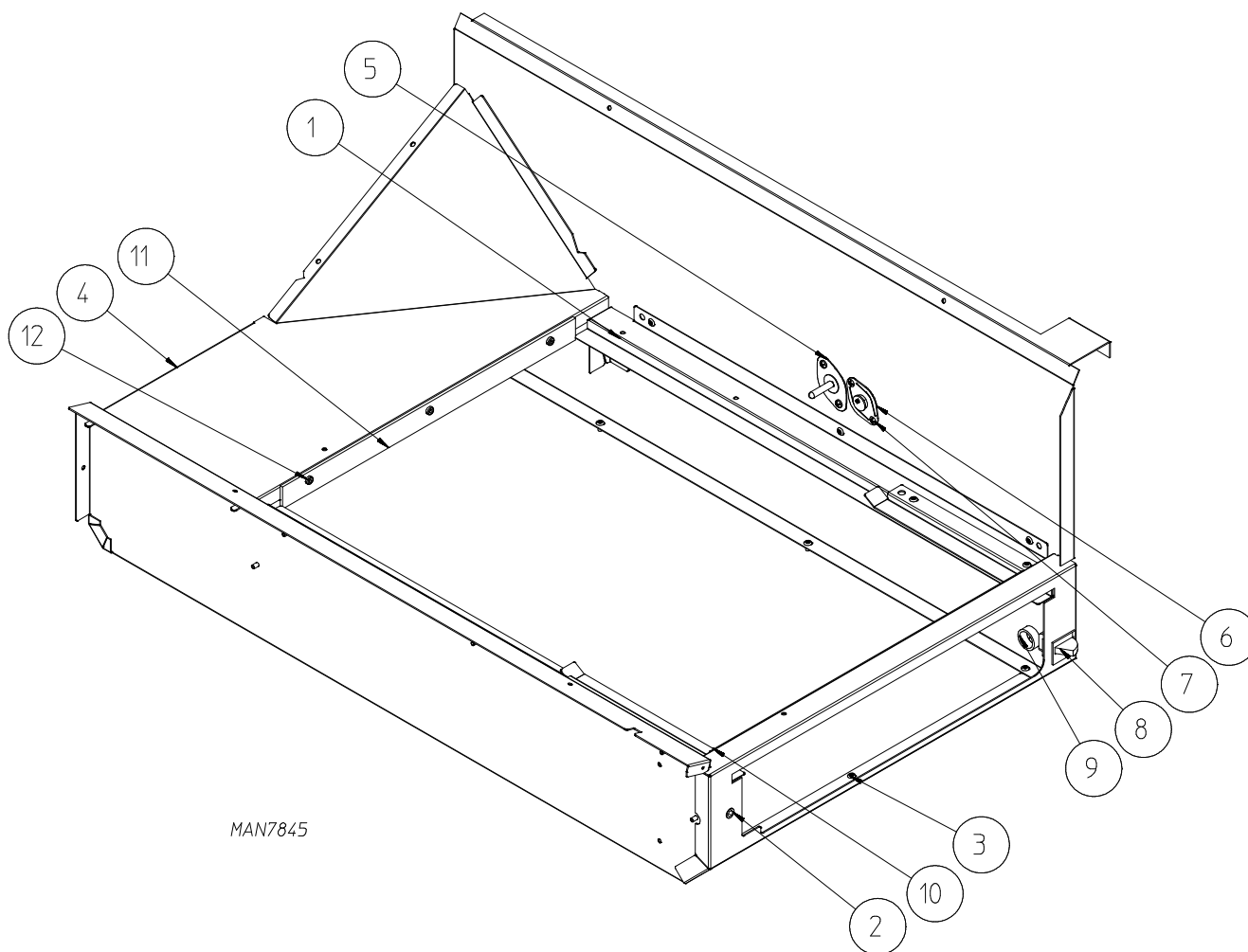
* Specify color.



Illus. No.	Part No.	Qty.	Description
1	345048	1	Lint Drawer Stop
2	844114	1*	Lint Drawer Assembly (includes illus. nos. 1 through 5)
	844115	1*	Lint Drawer
3	154200	5	5/32" Pop Rivet
4	117617	1	Foam Gasket
5	844116	1	Lint Drawer Handle

* Specify color.

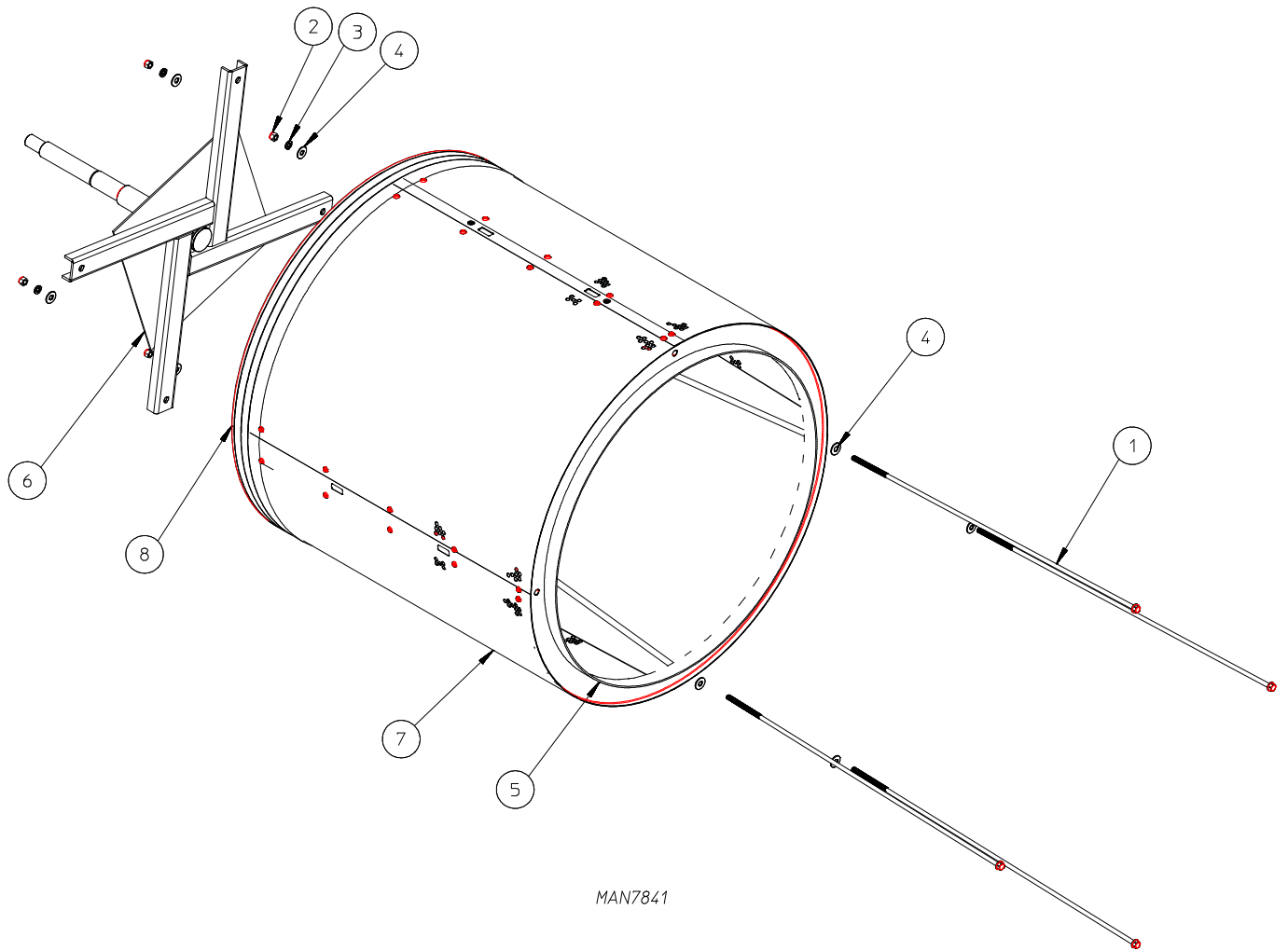
Lint Coop Assembly



MAN7845

<u>Illus. No.</u>	<u>Part No.</u>	<u>Qty.</u>	<u>Description</u>
1	344011	2	Lint Drawer Guide Rail Left and Right
2	152111	1	#10-32 Hex Body Rivnut
3	154200	21	5/32" Pop Rivet
4	844113	1	Lint Coop Assembly
	844128	1	Lint Coop
5	833522	1	Exhaust Sensor Probe Assembly
6	130107	1	Automatic Reset Hi-Limit 160°
	130098	1	Manual Reset Hi-Limit 190° (for models mfd. as of March 9, 2012)
7	150301	2	#8-18 x 7/16" Phillips Screw
8	122002	1	Lint Drawer Switch
9	121400	1	7/8" Bushing
10	344037	2	Lint Rail Top
11	116023	1	Lint Coop Felt
12	150331	3	#8-18 x 1/2" TORX® Screw

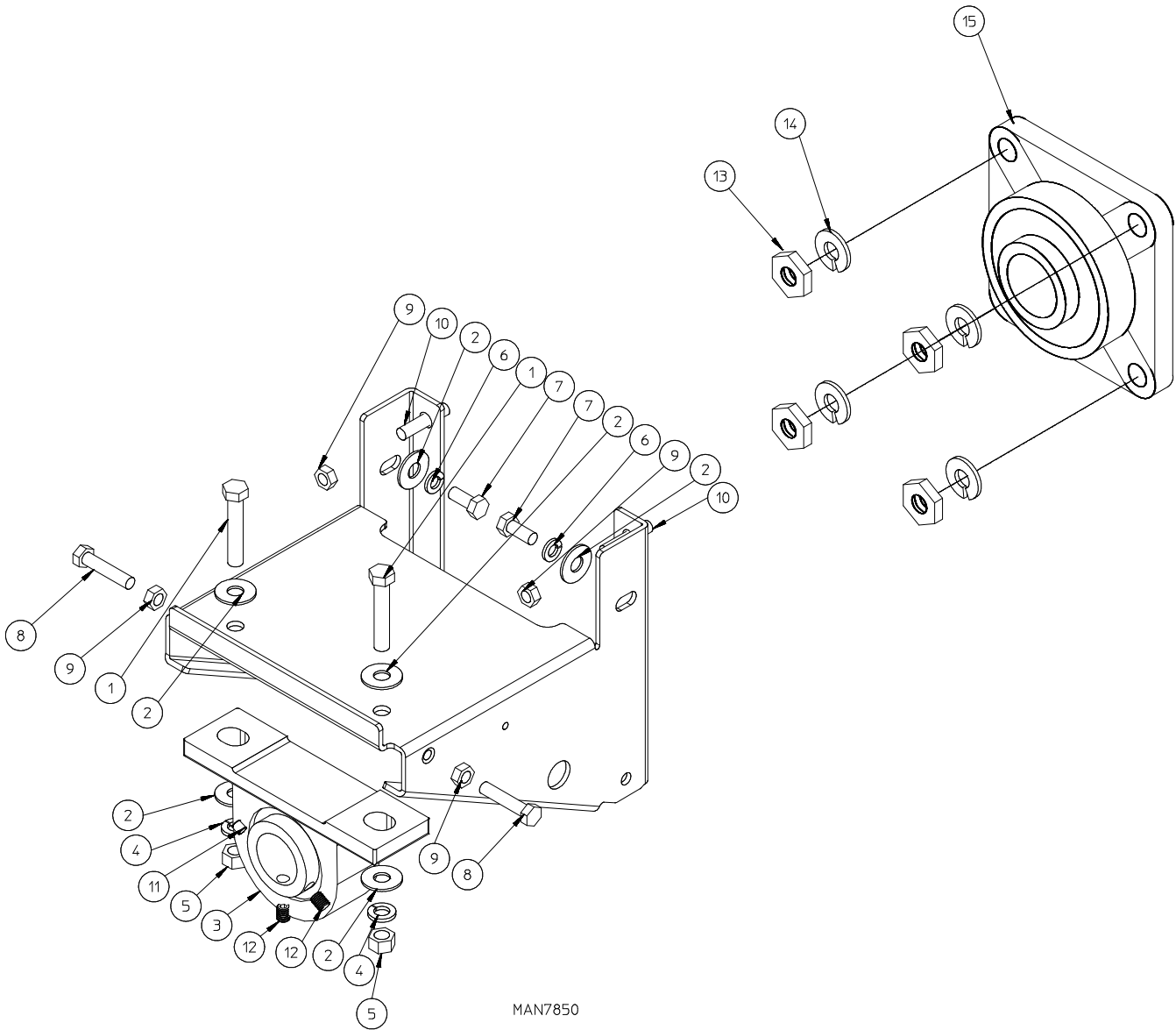
Tumbler and Basket Support Assembly



MAN7841

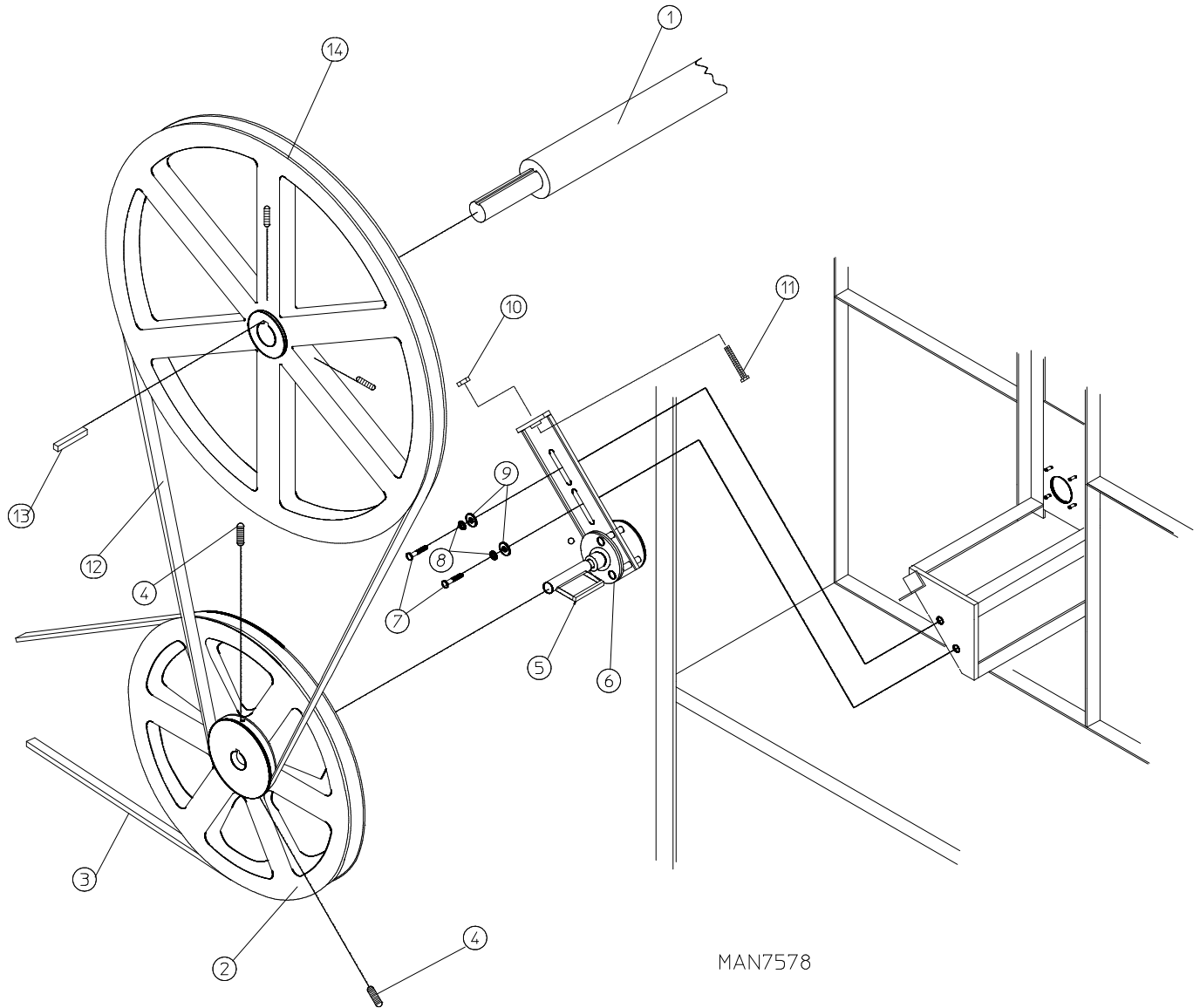
<u>Illus. No.</u>	<u>Part No.</u>	<u>Qty.</u>	<u>Description</u>
1	100915	4	Tie Rod
2	152027	4	3/8-16 Hex Nylon Insert Locknut
3	153005	4	3/8" Split Lockwasher
4	153004	8	3/8" x 1" Flat Washer
5	115917	1	Tumbler Front Felt
6	845908	1	Tumbler and Support Assembly Complete with Felt Collar (includes illus. nos. 1 through 8)
	845752	1	Tumbler Support Only
7	845909	1	Tumbler Only Without Felt Collar
8	115918	1	Rear Tumbler Felt Collar
	401010	1	3m Mastic Glue

Tumbler Bearing Support Assembly



MAN7850

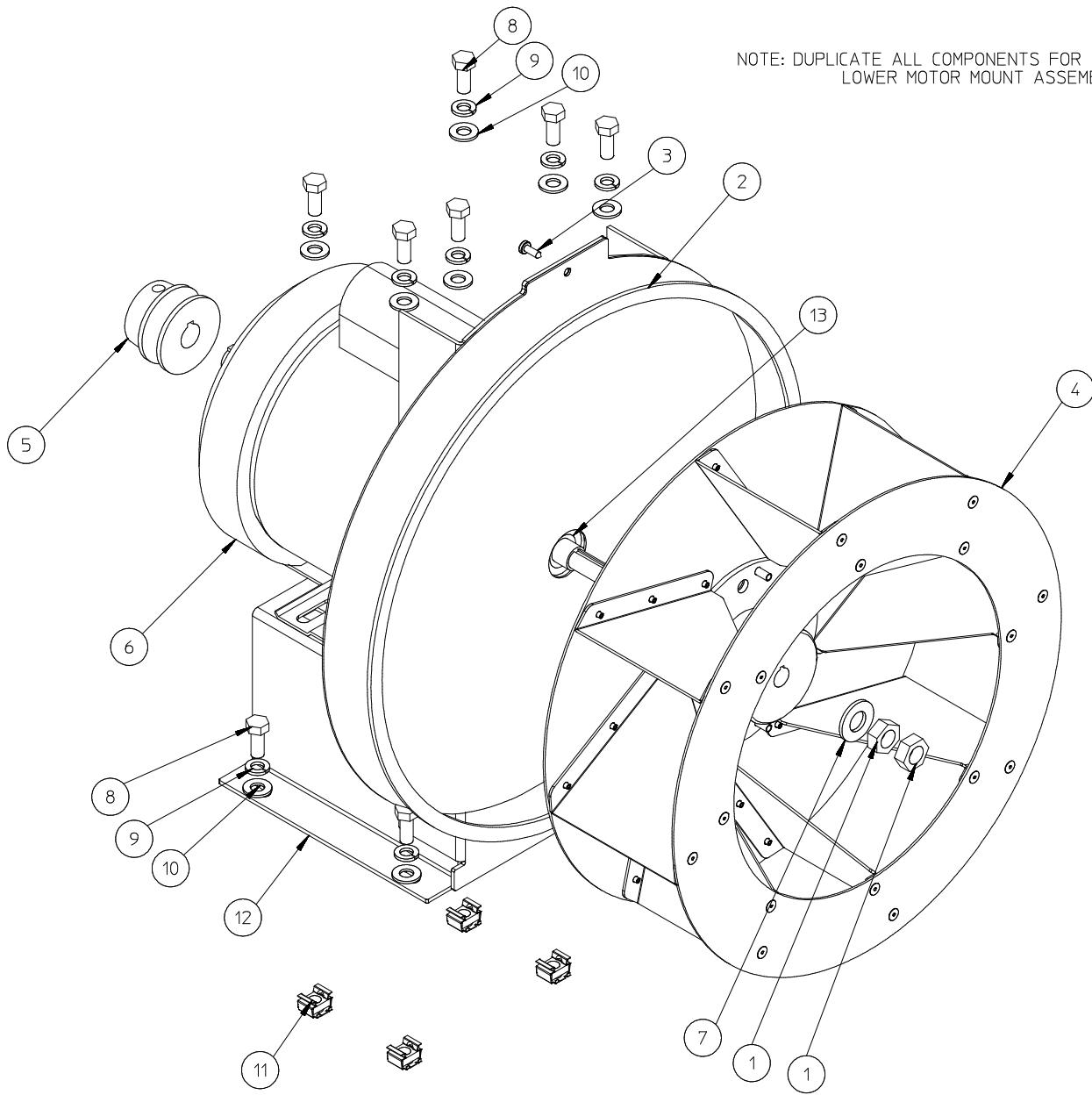
<u>Illus. No.</u>	<u>Part No.</u>	<u>Qty.</u>	<u>Description</u>
1	150601	2	3/8-16 x 2" H.H. Tap Bolt
2	153004	8	3/8" x 1" OD Flat Washer
3	880779	1	1-3/8" Pillow Block Bearing with Rotational Sensor
4	153005	2	3/8" Split Lock Washer
5	152005	2	3/8-16 Hex Nut
6	153002	4	5/16" Split Lock Washer
7	150501	4	5/16-18 x 3/4" Tap Bolt
8	150621	2	5/16-18 x 1-1/2" Tap Bolt
9	152004	4	5/16-18 -18 Hex Nut
10	150610	2	5/16-18 1-1/2" Allen Setscrew
11	170608	1	.25" x .25" Magnet
12	154321	2	5/16-24 x 3/8" Allen Setscrew
13	152050	4	9/16-12 Hex Nut
14	153025	4	9/16" Lock Washer
15	880220	1	1-3/4" Flange Bearing



MAN7578

<u>Illus. No.</u>	<u>Part No.</u>	<u>Qty.</u>	<u>Description</u>
1	—	1	Tumbler Support (refer to Tumbler / Support Assembly on page 9)
2	101129	1	9" x 2-1/2" Compound Pulley
3	100181	1	4L450 V-Belt
4	154301	2	5/16-18 x 5/16" Allen Cone Point Setscrew
5	100705	1	3/16" x 3/16" x 1-3/8" Key
6	882777	1	Steel Idler Assembly
7	150617	2	3/8-16 x 1" Hex Head Machine Screw
8	153005	2	3/8" Lock Washer
9	153004	2	3/8" Flat Washer
10	152004	1	5/16-18 Hex Nut
11	150509	1	5/16-18 x 3" Hex Head Machine Bolt
12	100147	1	5L630 V-Belt
13	100713	1	1/4" x 1/4" x 7/8" Key
14	101100	1	18" Pulley (tumbler)

Totally Enclosed, Fan-Cooled Motor Mount Assembly



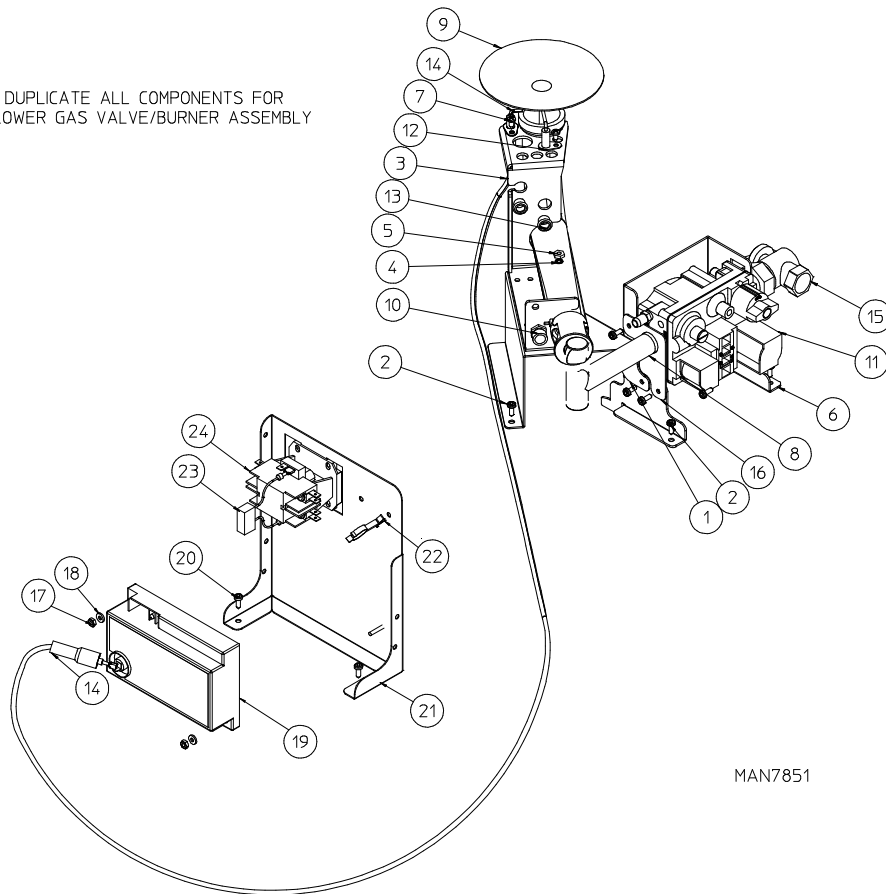
NOTE: DUPLICATE ALL COMPONENTS FOR LOWER MOTOR MOUNT ASSEMBLY

MAN7571

<u>Illus. No.</u>	<u>Part No.</u>	<u>Qty.</u>	<u>Description</u>
1	152006	2	1/2-20 L.H. Jam Nut
2	117604	1	1/8" Thk x 3/8" W Neo. Sponge Tape
3	150331	1	#8-18 x 1/2" T-20 TORX®
4	845783	1	13" Riveted Impellor 1/2" Bore
5	101132	1	2.0 OD x 5/8" Motor Pulley
6	100069	1	3/4" 115/230/60/1 with Plug
7	153050	1	1/2" x 1-1/16" Flat Washer
8	150501	8	5/16-18 x 3/4" Tap Bolt
9	153002	8	5/16" Split Lock Washer
10	153001	8	5/16" Flat Washer
11	154000	4	5/16-18 Tinnerman Clip
12	845935	1	3/4 hp Motor Mount Assembly 115/230/60/1-Phase
	845758	1	Motor Mount
13	116010	1	3" x 3" Felt Motor Seal

Natural Gas Burner Assembly

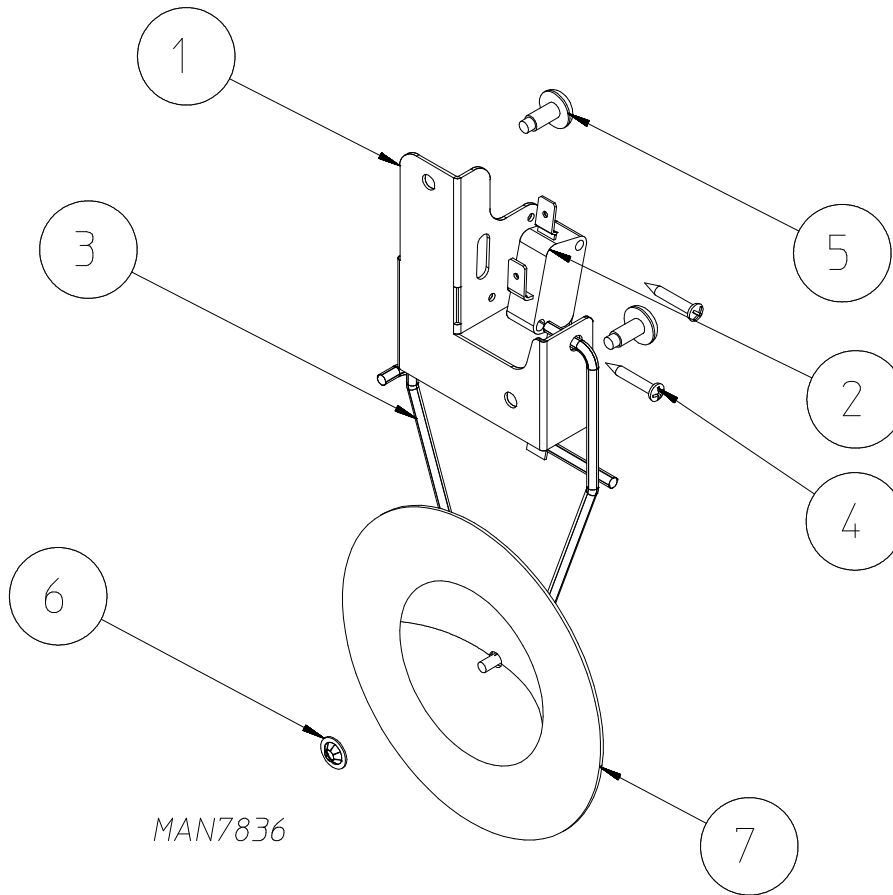
NOTE: DUPLICATE ALL COMPONENTS FOR LOWER GAS VALVE/BURNER ASSEMBLY



MAN7851

<u>Illus. No.</u>	<u>Part No.</u>	<u>Qty.</u>	<u>Description</u>
1	845933	1	Natural Gas Burner Assembly (includes illus. nos. 1 through 16)
	845934	1	Burner Tube Bracket Support
2	150331	7	#8-18 x 1/2" TORX® Screw
3	318009	1	Burner Tube Bracket
4	153012	1	#8 Star Washer
5	152001	1	#8-32 Hex Nut
6	345085	1	Gas Valve Bracket
7	150301	2	#8-18 x 7/16" Phillips Screw
8	141235	1	1/2" Swage Manifold Port
9	141131	1	Upshot Burner Assembly
10	140834	1	#5 Burner Orifice (natural gas) Only
	140818	1	#31 Burner Orifice Liquid Propane Only
	887193	1	Direct Spark Ignition Liquid Propane Conversion Kit
11	128979	1	1/2" 24 VAC Redundant (natural gas) Gas Valve
12	128918	1	Flame Sensor
13	121300	2	Open/Closed Bushing
14	829998	1	Fenwal High Voltage Cable Assembly
15	141320	1	1/2" Full Port Valve with Tailpiece
16	345108	1	Gas Valve Manifold Support
17	152013	2	#6-32 Hex Nut
18	153017	2	#6 Washer
19	887133	1	Fenwal Direct Spark Ignition Module Gray with 3 Tries
20	150331	2	#8-18 x 1/2" Pan Head TORX® Screw
21	845756	1	Direct Spark Ignition Module Mounting Plate Assembly
22	121502	1	1/2" Wire Standoff

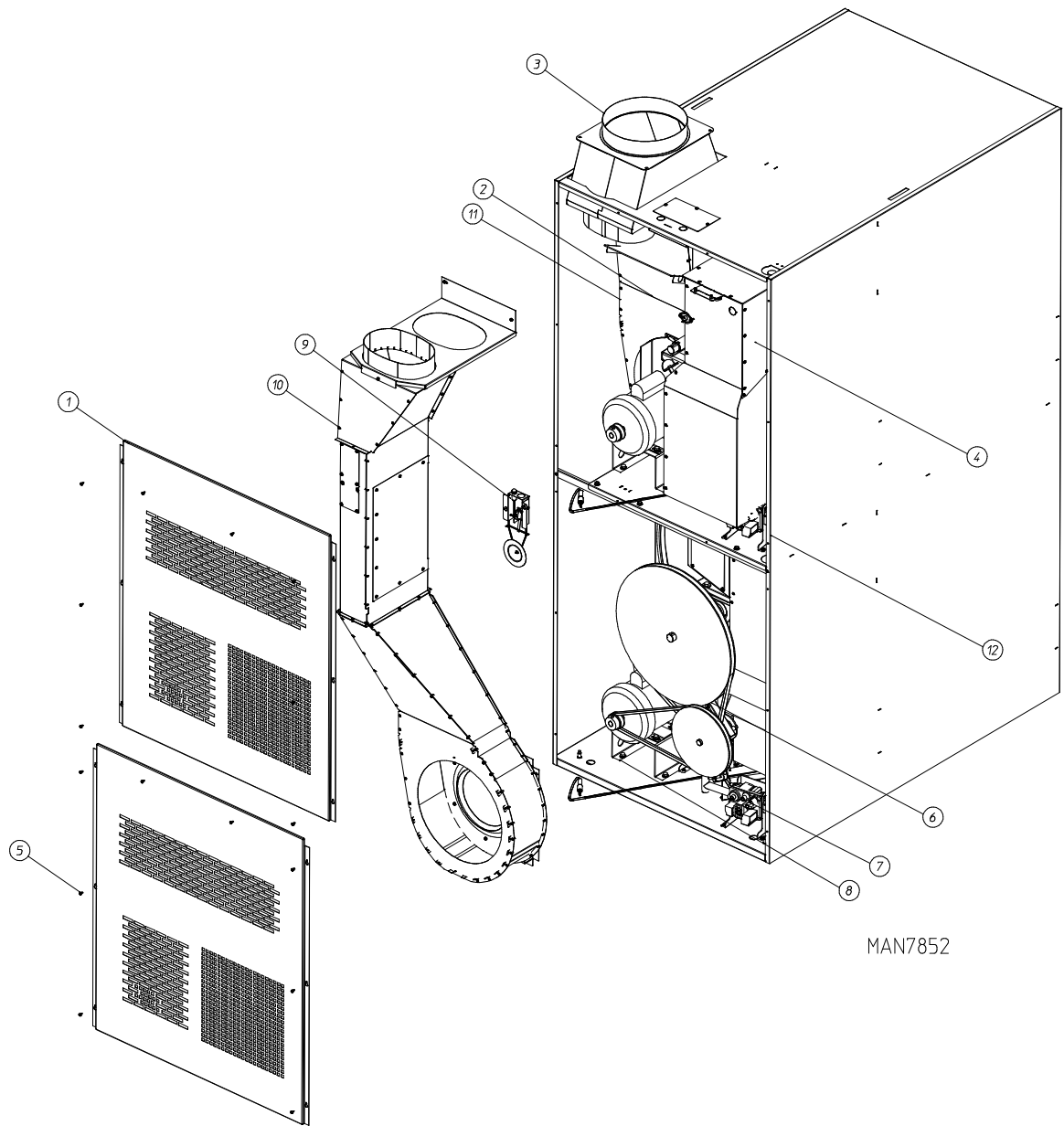
Sail Switch Assembly



MAN7836

<u>Illus. No.</u>	<u>Part No.</u>	<u>Qty.</u>	<u>Description</u>
1	833520	1	Sail Switch Assembly Complete (includes illus. nos. 1 through 7)
	333958	1	Sail Switch Bracket Only
2	122200	1	Sail Switch
3	105500	1	Sail Switch Rod Assembly
4	150303	2	#4 3/4" Machine Screw
5	150313	2	10-16 x 1/2" Torx Screw
6	154002	1	1/8" Push-On Fastener
7	319206	1	Sail Switch Damper

Exhaust, Back Guard, and Burner Assembly



MAN7852

<u>Illus. No.</u>	<u>Part No.</u>	<u>Qty.</u>	<u>Description</u>
1	345211	1	Back Guards
2	845931	1	Gas Burner Box Only
3	845822	1	Exhaust Transition
4	130201	1	330° Hi-Limit
5	150331	2	#8-18 x 1/2" T-20 TORX® Screw
6	130101	1	180° Axial Thermostat
7	—	—	Refer to Natural Gas Burner Assembly on page 13
8	—	—	Refer to Motor Mount Assembly on page 12
9	—	—	Refer to Sail Switch Assembly on page 14
10	—	—	Refer to Current page for Exhaust Assembly
11	345054	1	Tie Rod Heat Duct Access Plate
12	345086	1	Heat Duct Shield

