



AD-30x2R Parts Manual

American Dryer Corporation
88 Currant Road
Fall River, MA 02720-4781
Telephone: (508) 678-9000 / Fax: (508) 678-9447
E-mail: techsupport@amdry.com

www.amdry.com

Retain This Manual In A Safe Place For Future Reference

This product embodies advanced concepts in engineering, design, and safety. If this product is properly maintained, it will provide many years of safe, efficient, and trouble free operation.

ONLY properly licensed technicians should service this equipment.

OBSERVE ALL SAFETY PRECAUTIONS displayed on the equipment or specified in the installation manual included with the dryer.

The following "FOR YOUR SAFETY" caution must be posted near the dryer in a prominent location.

FOR YOUR SAFETY

Do not store or use gasoline or other flammable vapors and liquids in the vicinity of this or any other appliance.

POUR VOTRE SÉCURITÉ

Ne pas entreposer ni utiliser d'essence ni d'autres vapeurs ou liquides inflammables à proximité de cet appareil ou de tout autre appareil.

We have tried to make this manual as complete as possible and hope you will find it useful. The manufacturer reserves the right to make changes from time to time, without notice or obligation, in prices, specifications, colors, and material, and to change or discontinue models.

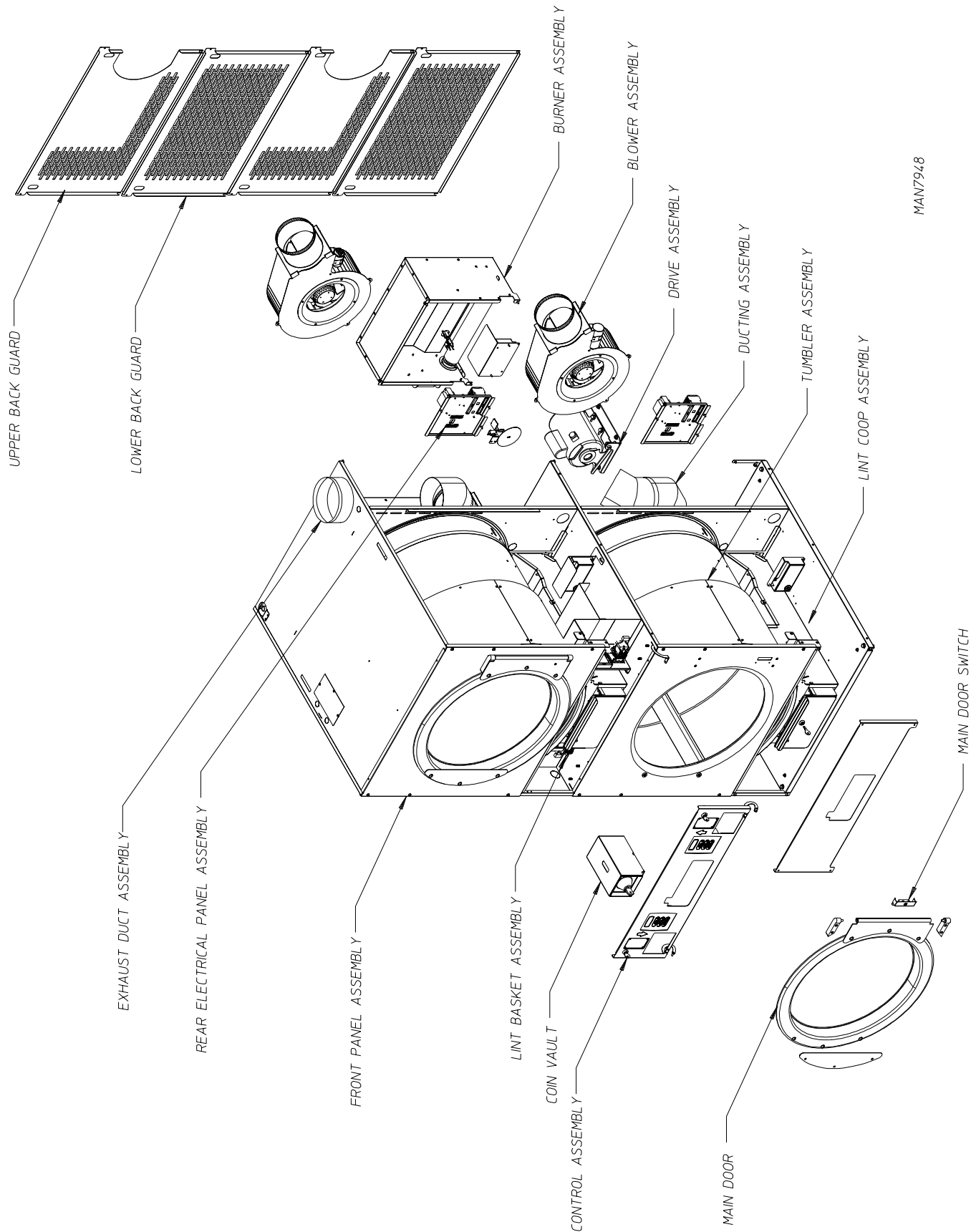
Important

For your convenience, log the following information:

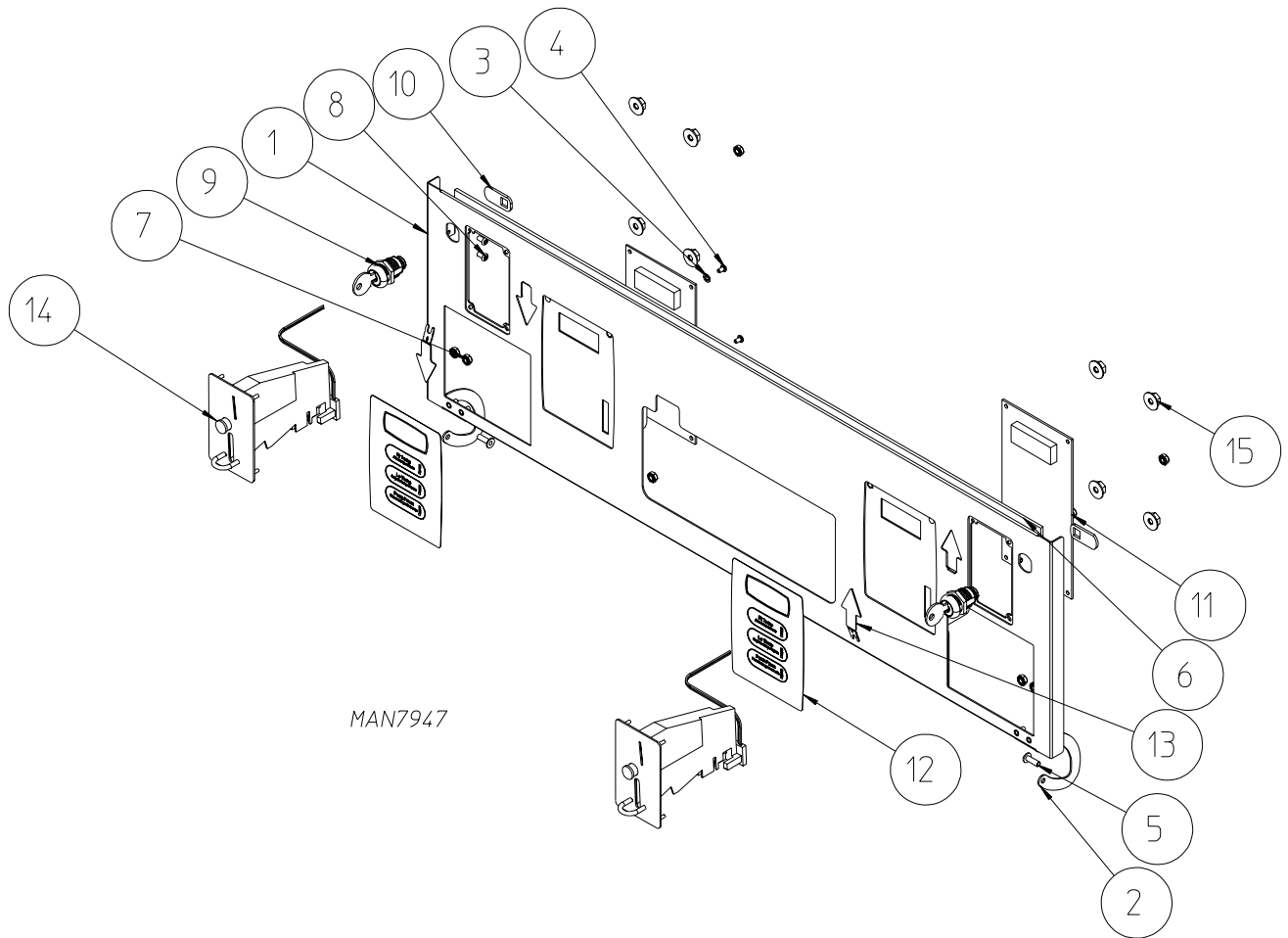
DATE OF PURCHASE _____ MODEL NO. **AD-30x2R**

RESELLER'S NAME _____

Serial Number(s) _____

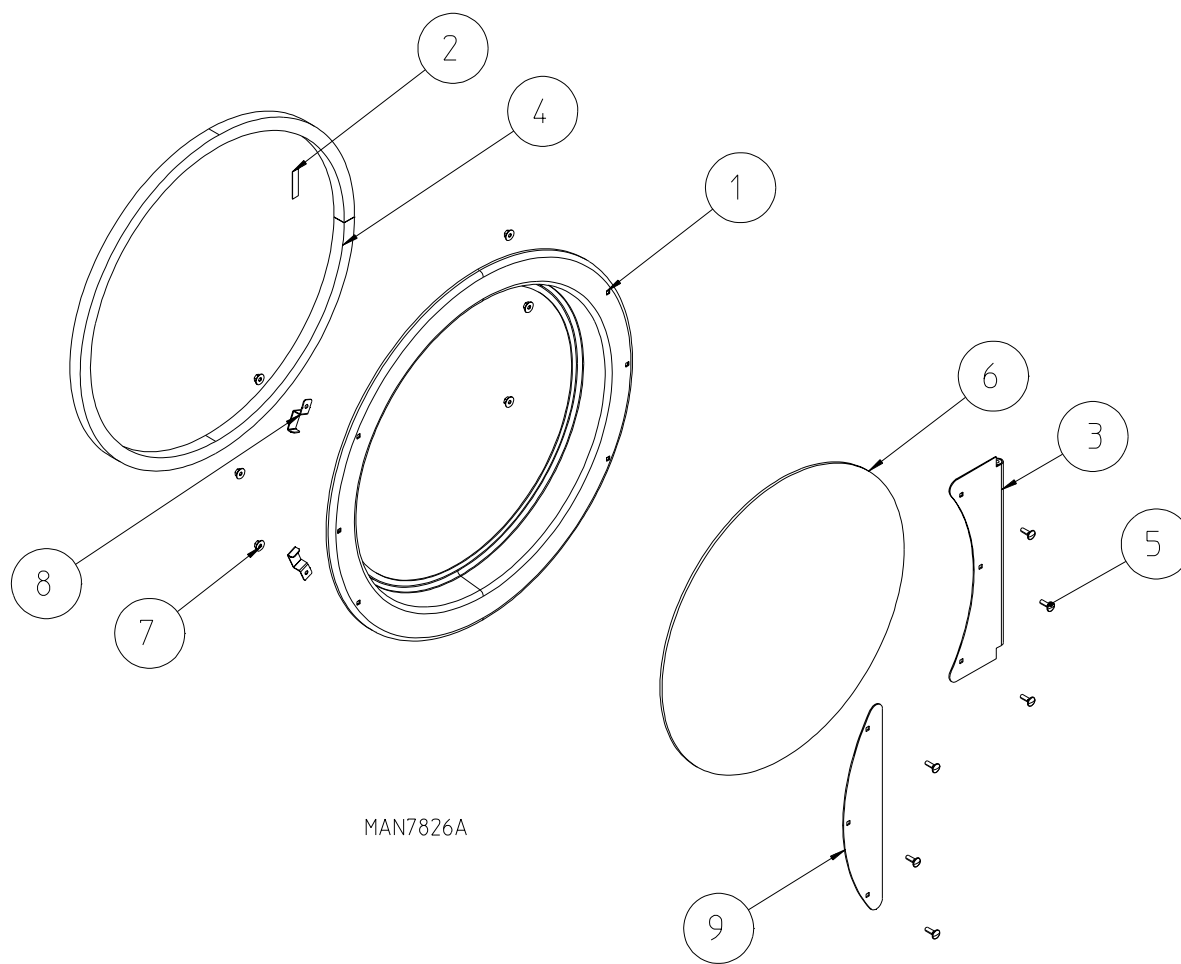


MAN7948



<u>Illus. No.</u>	<u>Part No.</u>	<u>Qty.</u>	<u>Description</u>
1	830609	1	Phase 5 Coin Control Panel Assembly Less Acceptor (includes illus. nos. 1 through 13)
	830625	1	Control Panel
2	333964	1	Control Door Hinge
3	153010	2	#6 Internal Star Washer
4	150005	2	#6-32 x 1/4" Phillips Machine Screw
5	154220	2	3/16" Pop Rivet
6	117605	3	Noise Suppressor Tape
7	153070	8	#8-32 Keps Nut
8	154200	4	5/32" Pop Rivet
9	160015	2	MK-100 Lock with Hardware
10	160032	2	1" Straight Cam
11	137213	2	Phase 5 Single Computer Board
12	112526	2	Coin Keypad Label Assembly
13	303343	2	Control Panel Arrow
14	883134	—	25¢ Coin Acceptor with Optic
	830059	—	TWD Programmable Coin Acceptor
15	152102	4	M3 Metric Hex Nut

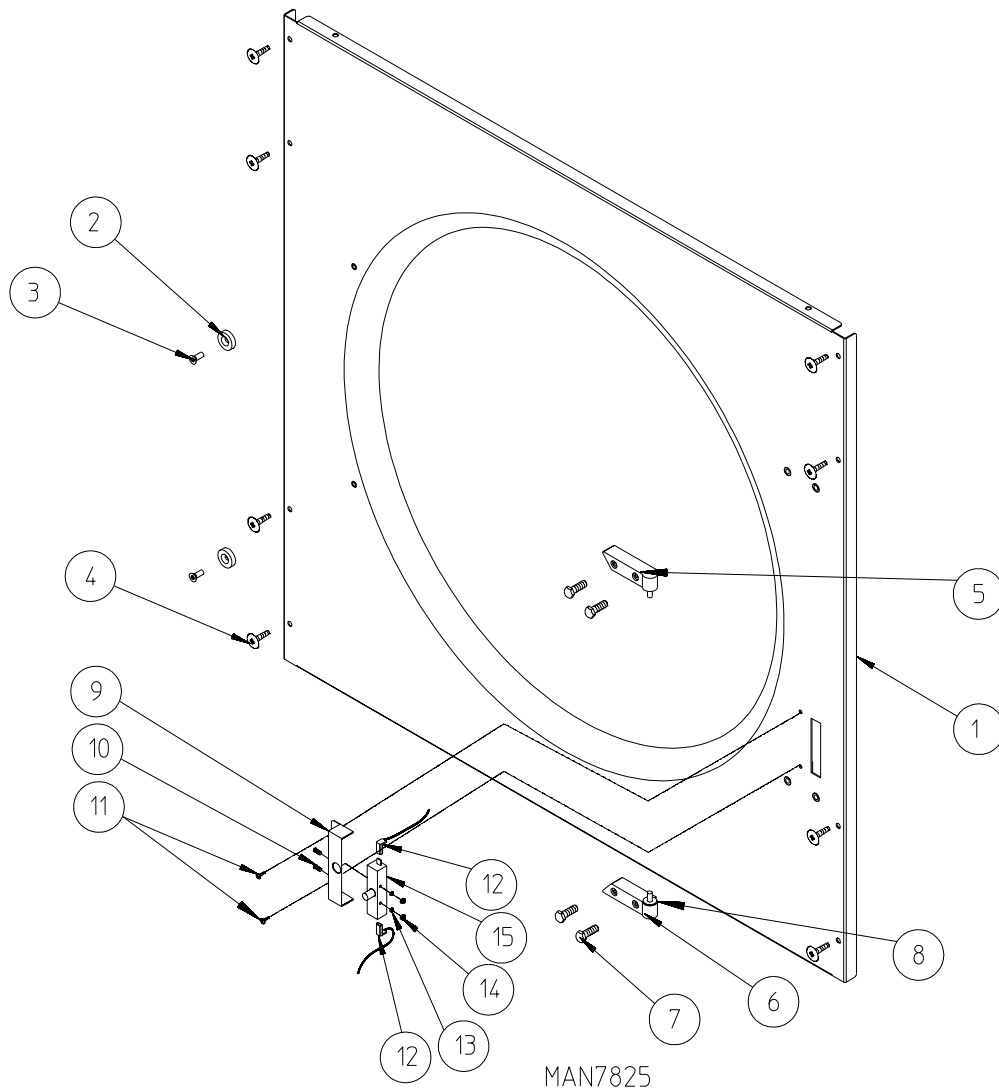
Main Door Assembly



MAN7826A

<u>Illus. No.</u>	<u>Part No.</u>	<u>Qty.</u>	<u>Description</u>
1	822661	1	Magnetic Black Main Door Assembly Complete (includes illus. nos. 1 through 9)
2	110006	1	1/2" Black Strapping Tape
3	851033	1	Cold Rolled Steel Main Door Hinge
4	102354	1	Door Gasket
5	150683	6	1/4-20 x 5/8" Carriage Bolt
6	102224	1	Main Door Glass without Notch
	401055	1	Black Silicone ... Not Illustrated
7	152014	6	1/4-20 Hex Flange Nut
8	319298	2	31-1/4" Main Door Magnet Bracket
9	170337	1	Cold Rolled Steel Main Door Handle

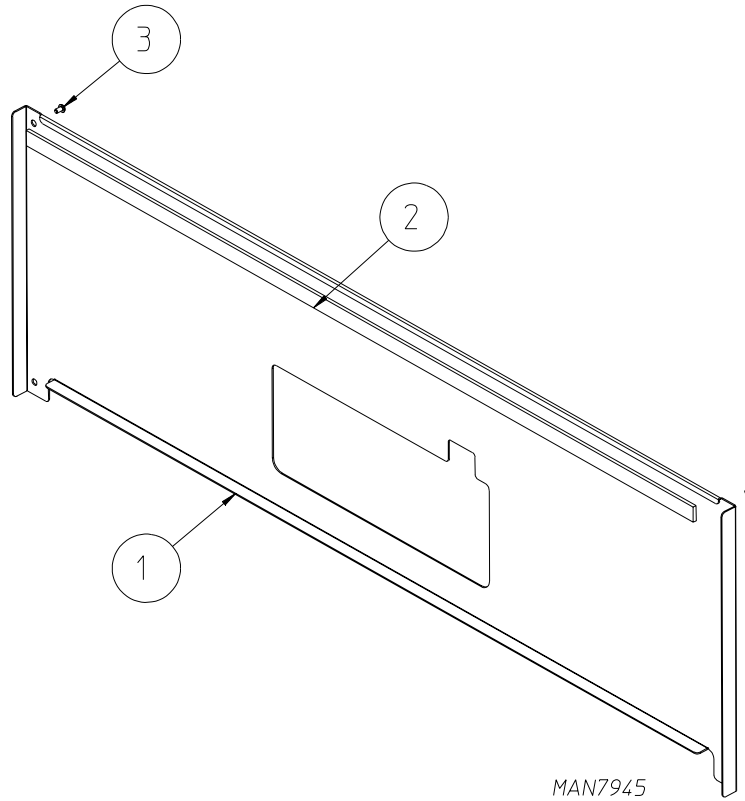
Cold Rolled Steel Door Front Panel



Illus. No.	Part No.	Qty.	Description
1	830610*	1	Right Hand Front Cold Rolled Steel Panel Assembly (includes illus. nos. 1 through 3)
	830652	1	Right Hand Front Stainless Steel Panel Assembly (includes illus. nos. 1 through 3)
2	102004	2	Round Door Magnet
3	152223	2	#10-32 x 1/2" Flat Undercut Machine Screw
4	150313	-	#10-16 x 1/2" TORX® Button Screw
5	881152	1	Top Hinge Block "black"
6	881151	1	Bottom Hinge Block "black"
7	150445	2	3/4" x 20" x 3/4" Black Cap Setscrew
8	153051	1	1/4" Nylon Washer
9	353162	1	Main Door Switch Housing
10	150006	1	#6-32 x 7/8" Phillips Screw
11	150201	2	#10-32 x 1/4" Phillips Pan Head Screw
12	122636	2	1/4" Flag Terminal
13	153010	2	#6 Star Washer
14	152013	2	#6-32 Hex Nut
15	137005	1	Main Door Switch

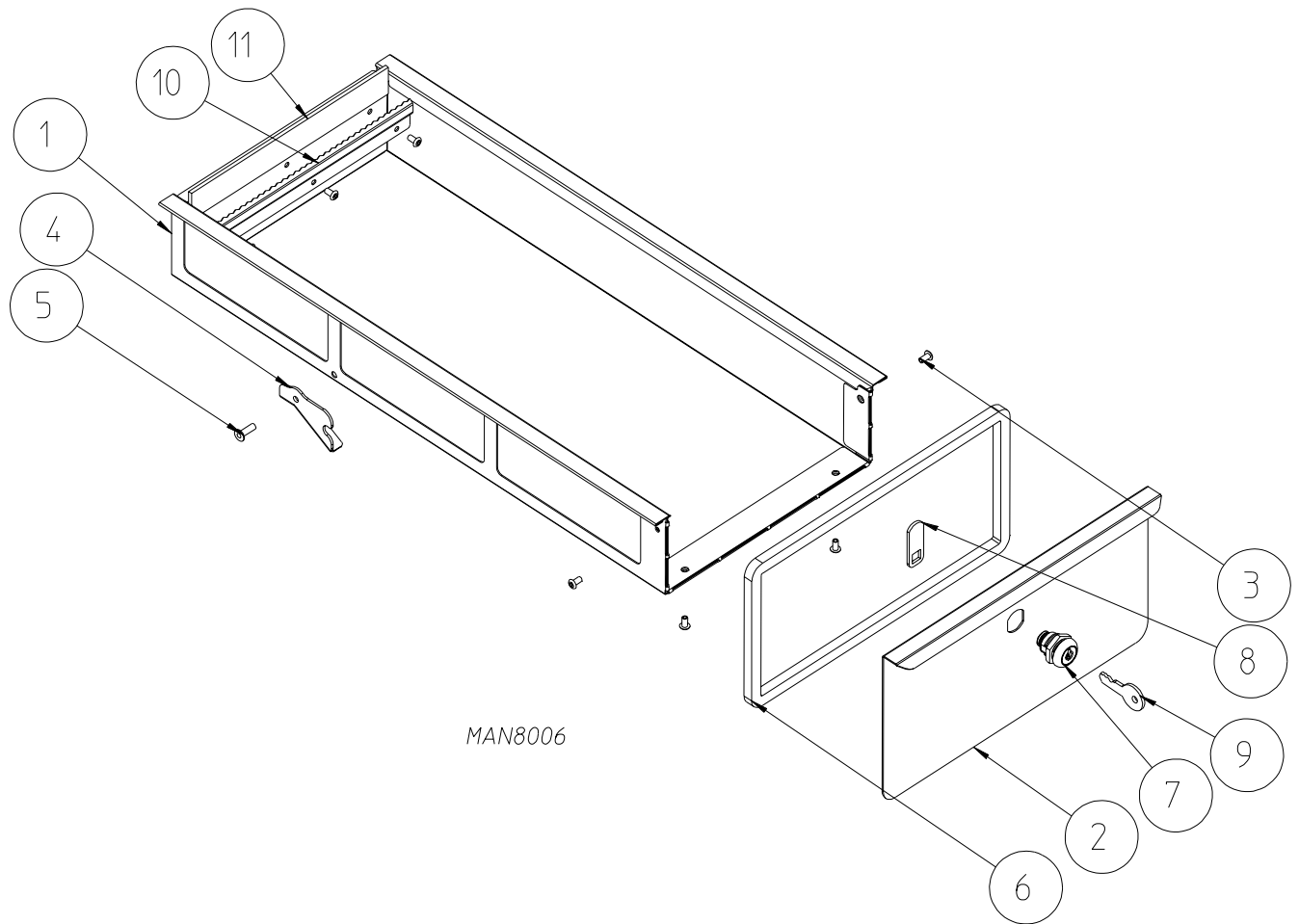
* Specify color.

Bottom Toe Panel



<u>Illus. No.</u>	<u>Part No.</u>	<u>Qty.</u>	<u>Description</u>
1	830638*	1	Lower Toe Panel Assembly (includes illus. nos. 1 and 2)
2	117605	3	Noise Suppression Tape
3	150320	4	#10-16 x 3/4" Black TORX® Screw

* Specify color.

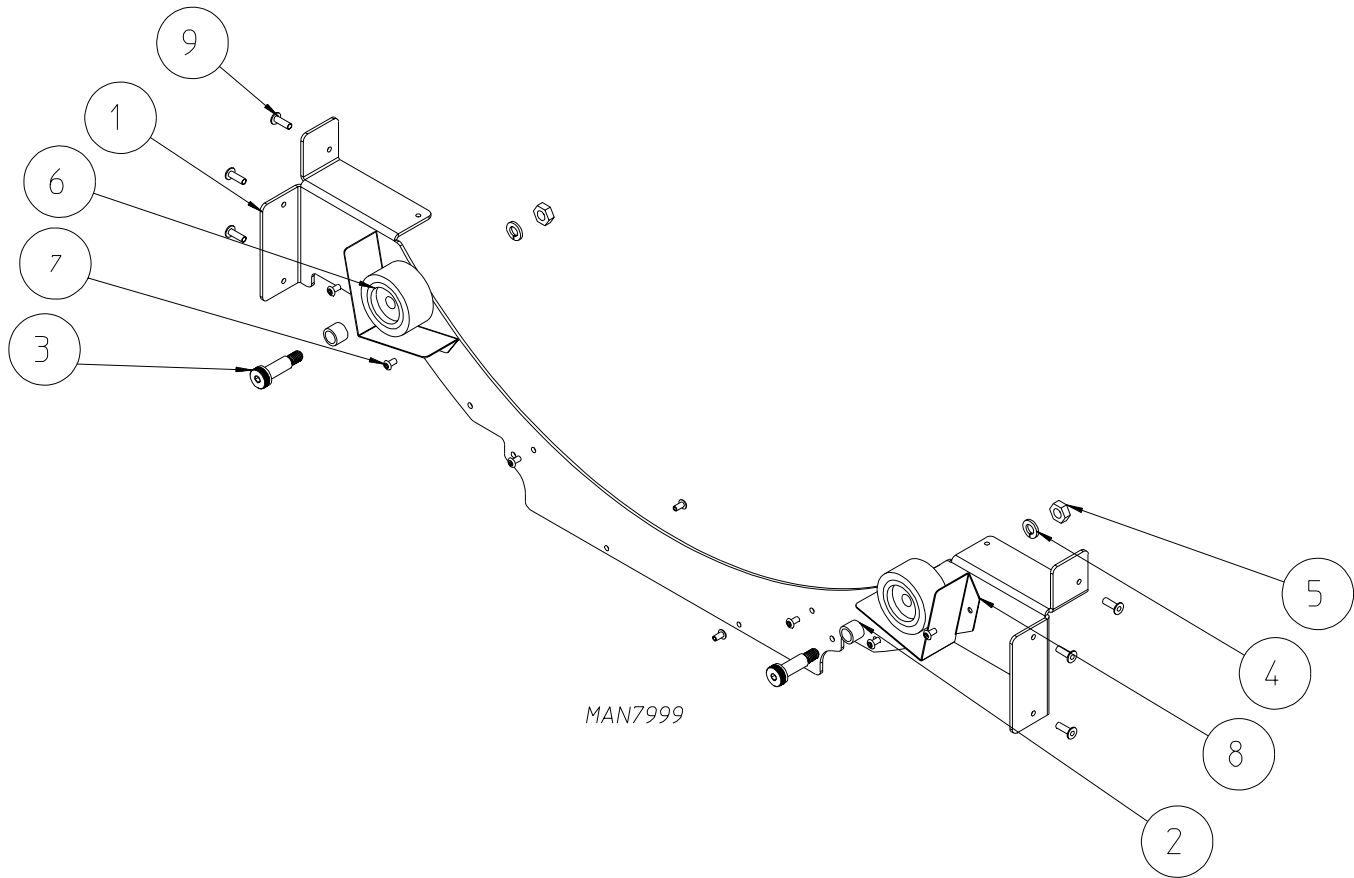


MAN8006

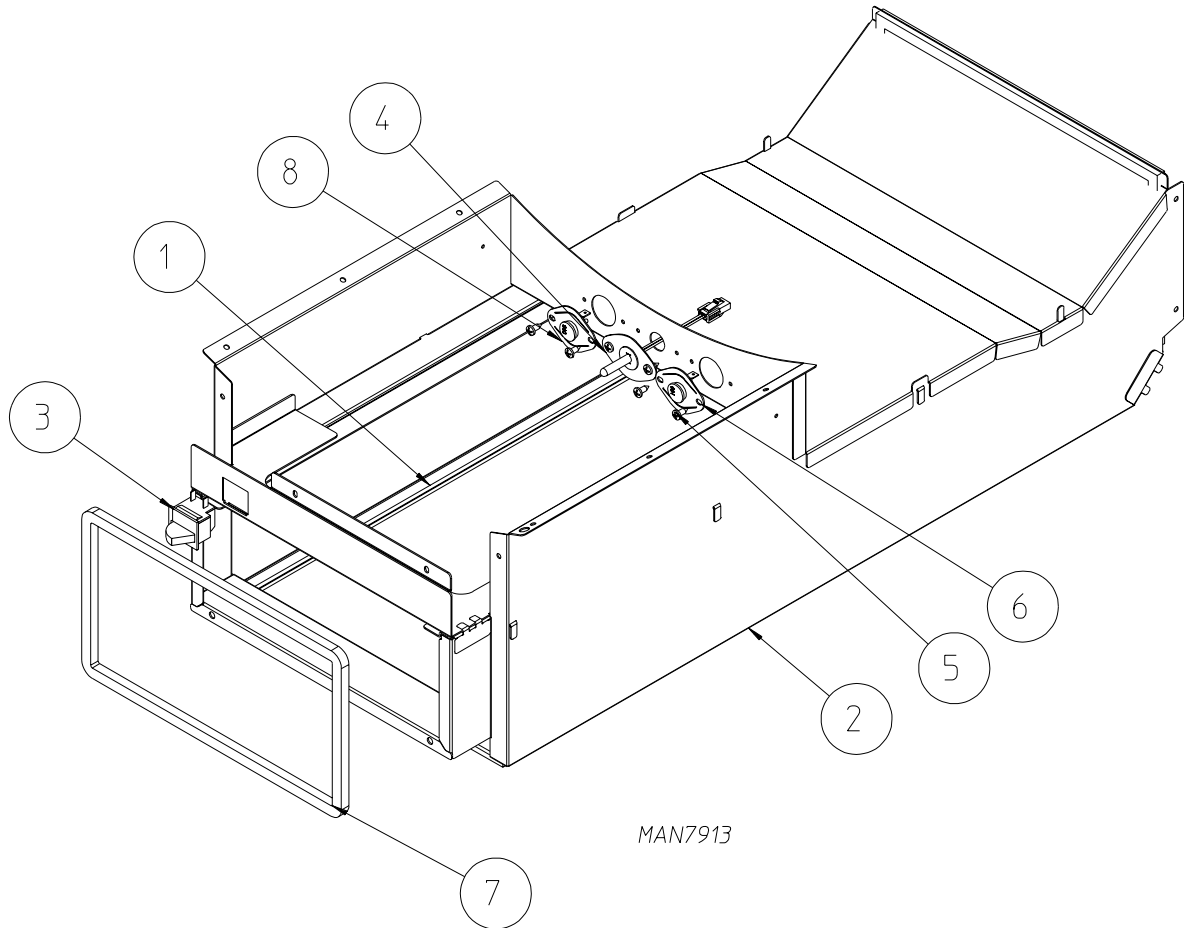
Illus. No.	Part No.	Qty.	Description
1	830618	1	Lint Drawer Body
2	830619*	1	Locking Lint Drawer Assembly (includes illus. nos. 1 through 11)
	830655*	1	Locking Lint Drawer Face
3	154211	7	5/32" Buttonhead Rivet
4	345048	1	Lint Drawer Stop
5	154220	1	3/16" Pop Rivet
6	117617	3	3/8" x 5/16" Semi Closed EPDM Sponge Tape
7	160001	1	AD-100 Lock
8	160016	1	1-1/4" Cam
9	160103	1	Key for AD-100 Lock
10	303324	1	Lint Drawer Felt Retainer
11	116049	1	8" x 1" x 1/8" F-7 Felt

* Specify color.

Front Wheel Bracket Assembly



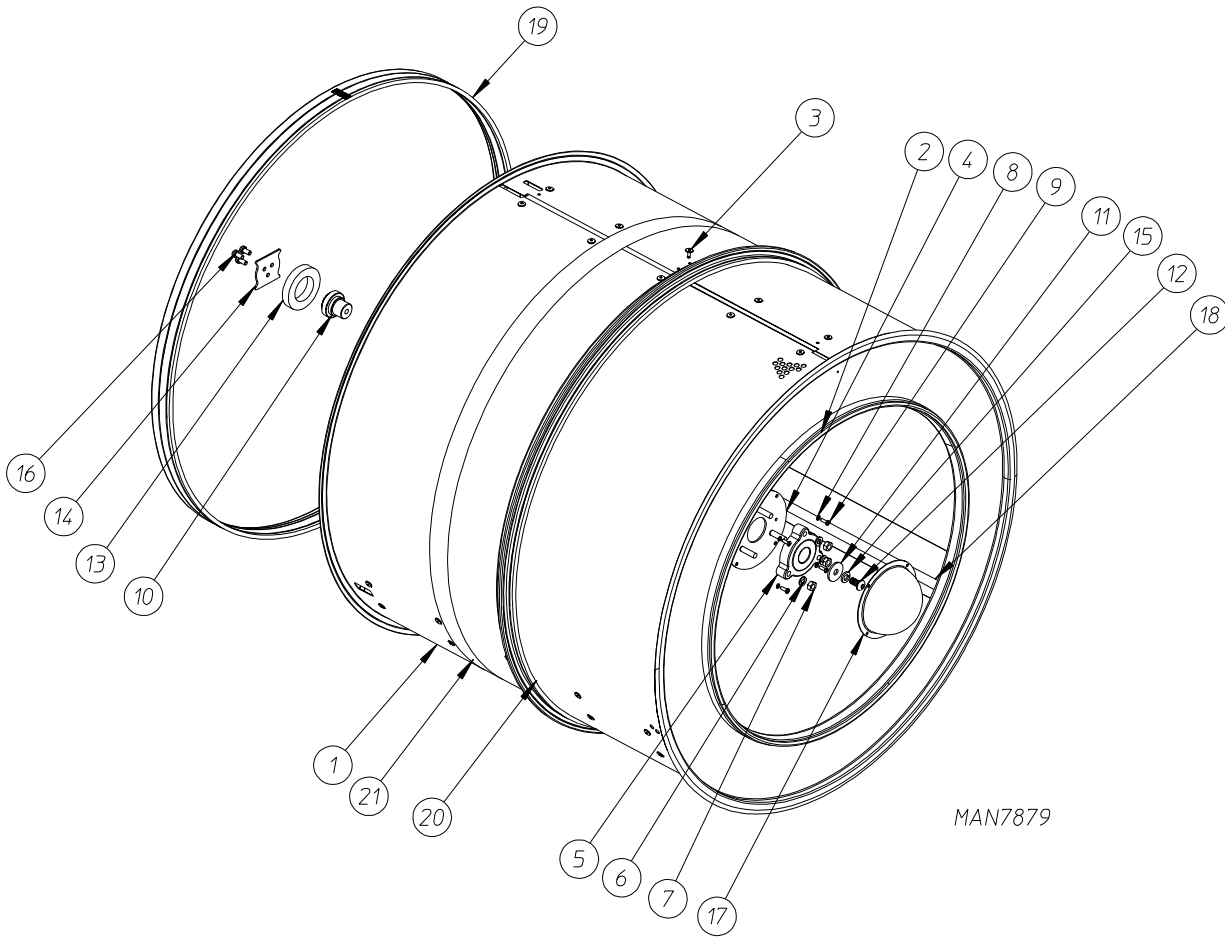
<u>Illus. No.</u>	<u>Part No.</u>	<u>Qty.</u>	<u>Description</u>
1	830612	1	Front Wheel Bracket Assembly (includes illus. nos. 1 through 9)
	303317	1	Front Wheel Support Bracket Only
2	154284	2	Tumbler Wheel Spacer
3	154264	2	10M8 x 25 mm Shoulder Screw
4	153002	2	5/16" Black Washer
5	154013	2	M8 Hex Nut
6	180050	2	Tumbler Wheel
7	154200	8	5/32" Pop Rivet
8	303331	1	2" Wheel Guard
9	154220	6	3/16" Pop Rivet



MAN7913

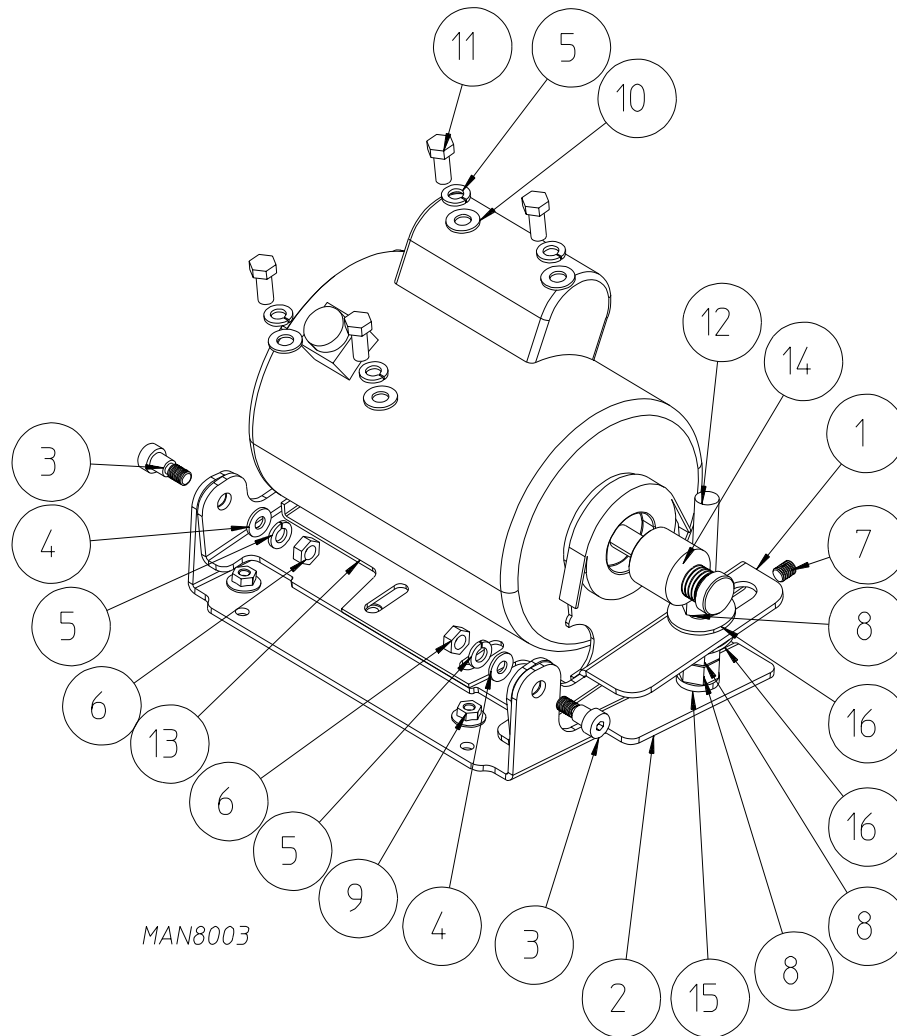
Illus. No.	Part No.	Qty.	Description
1	117617	—	3/8" x 5/16" Foam Gasket (sold by the foot)
2	830613	1	Lint Coop Assembly Complete (includes illus. nos. 1 through 8)
	830614	1	Lint Coop Only
3	122002	1	Lint Draw Switch
4	833522	1	Exhaust Sensor Probe Assembly
5	150301	4	#8-18 x 7/16" Phillips Pan Head Screw
6	130100	1	150° Automatic Reset Thermostat
7	117617	4	3/8" x 5/16" Foam Gasket
8	130098	1	190° Manual Reset Thermostat

Tumbler Assembly



MAN7879

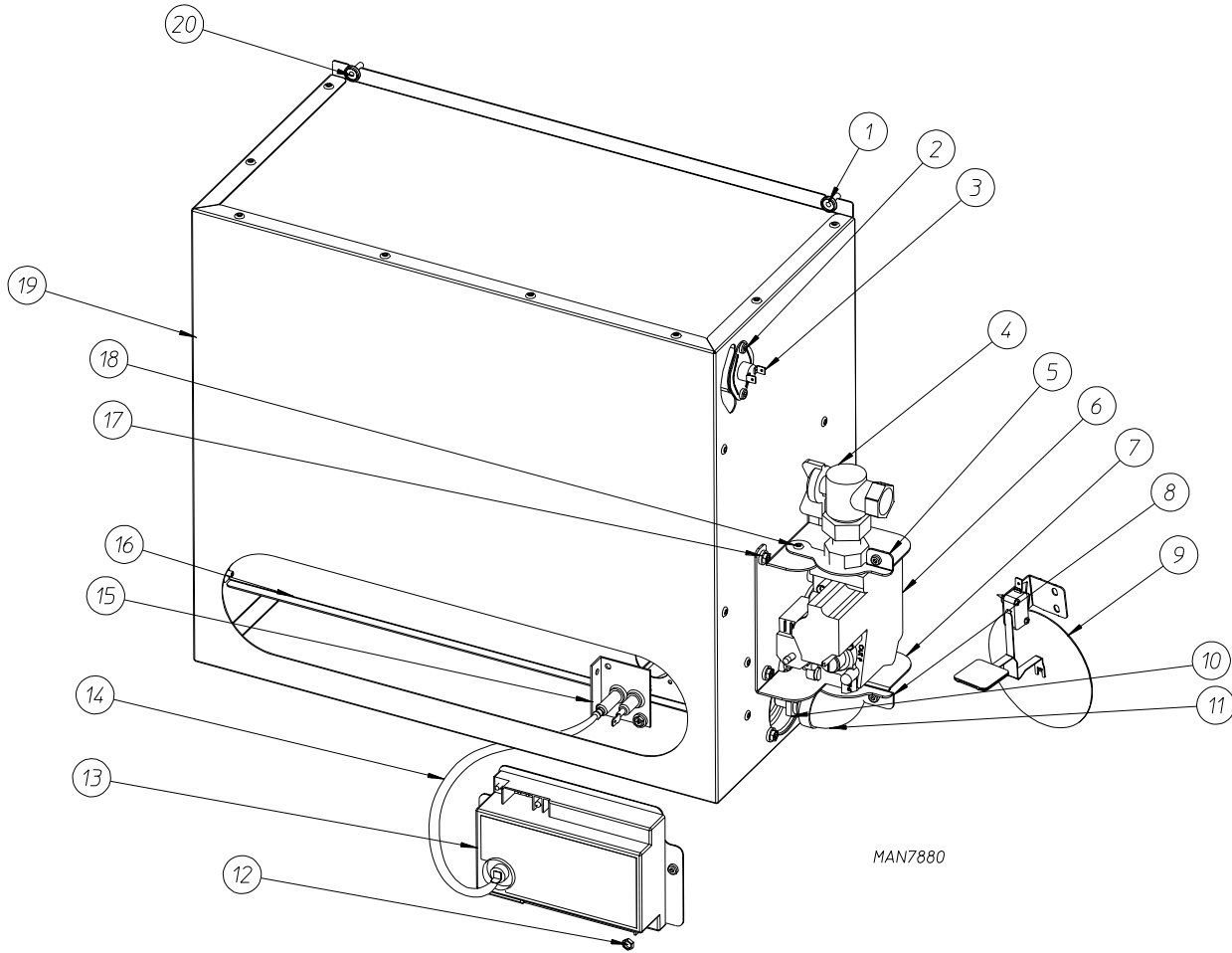
<u>Illus. No.</u>	<u>Part No.</u>	<u>Qty.</u>	<u>Description</u>
1	830630	1	Galvanized 3 Rib Tumbler Assembly (includes illus. nos. 1 through 19)
	884456	1	Galvanized 3 Rib Tumbler and Felt
	830645	1	Stainless Steel Tumbler Assembly (includes illus. nos. 1 through 19)
2	115906	1	Tumbler Front Felt
3	154211	36	5/32" Pop Rivet
4	846011	1	Tumbler Bearing Plate Assembly
5	100296	1	3 Bolt Self Aligning Flange Bearing
6	153002	3	5/16" Lock Washer
7	152004	3	5/16-18 Hex Nut
8	153012	4	#8 Internal Star Washer
9	150108	4	#8-32 x 1/2" Phillips Machine Screw
10	346119	1	Tumbler Shaft
11	346029	1	Stainless Steel Washer
12	184241	1	3/8-16 x 3/4" Button Head Socket Screw with Nylon Patch
13	115919	1	Tumbler Bearing Felt Ring
14	346069	1	Tumbler Shaft Backup Plate
15	153005	1	3/8" Lock Washer
16	150636	3	1/4-20 x 1/2" Button Head Socket Screw with Nylon Patch
17	185597	1	Bearing Cover
18	303311	3	Tumbler Ribs
19	115925	1	Rear Tumbler Felt
20	115924	1	Separator Felt
21	102407	1	Tumbler Drive Belt



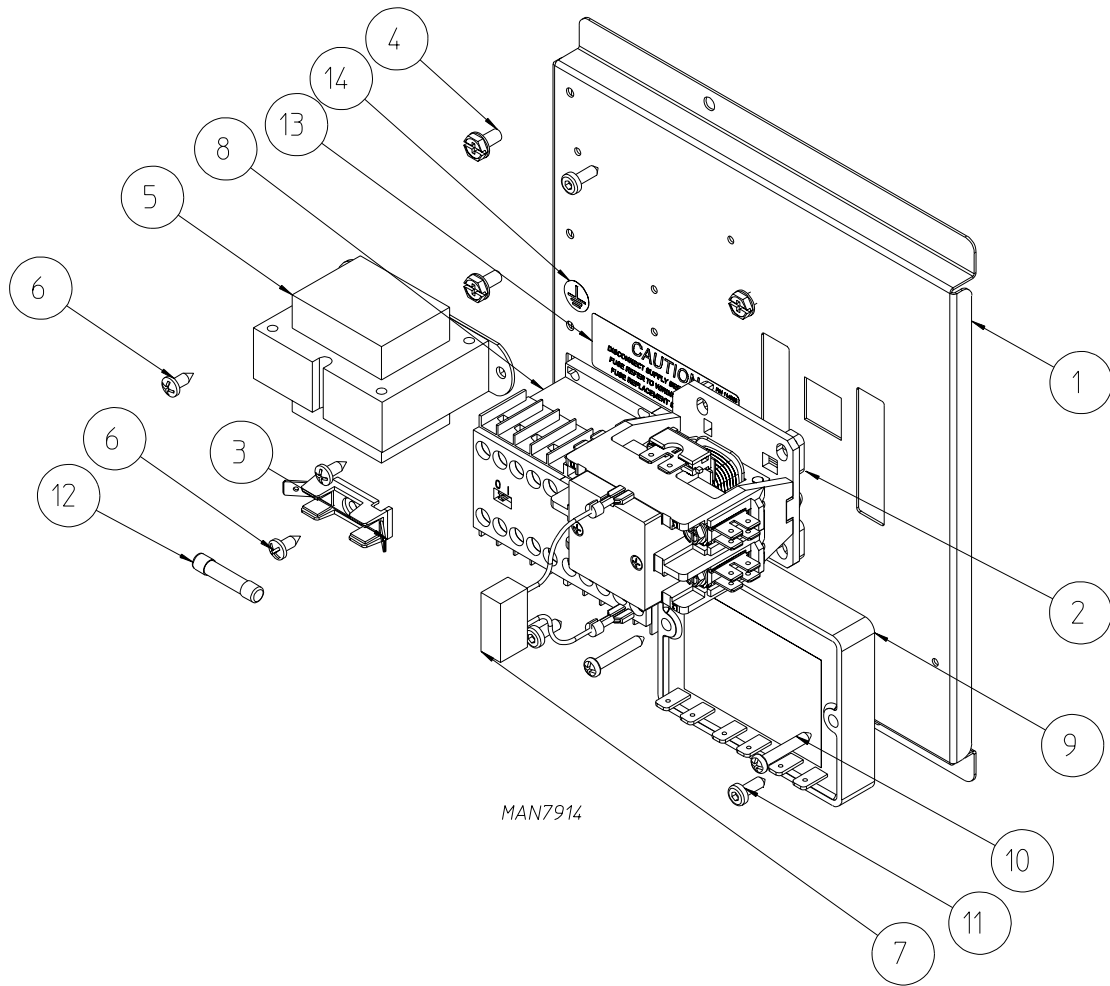
MAN8003

<u>Illus. No.</u>	<u>Part No.</u>	<u>Qty.</u>	<u>Description</u>
1	830615	1	Drive Motor Mount Assembly Complete (includes illus. nos. 1 through 15)
	830616	1	Drive Motor Mount Plate
2	303322	1	Drive Motor Mount Base Plate
3	154266	2	3/8" x 3/8" Shoulder Bolt
4	153018	2	1/4" Flat Washer
5	153002	6	5/16" Lock Washer
6	152004	2	5/16-18 Hex Nut
7	154321	1	5/16-24 x 3/8" Allen Setscrew
8	152011	2	1/2" x 1-3/8" Hex Nut
9	152014	1	1/4-20 Washer Nut
10	153001	4	5/16" Flat Washer
11	150501	4	5/16-18 x 3/4" Machine Bolt
12	150609	1	1/2-13 x 4.5 Tap Bolt
13	181130	1	Drive Motor
14	319933	1	Motor Sheave
15	153026	1	1/2" Lock Washer
16	153011	2	1-3/8" OD Flat Washer

Gas Burner Assembly

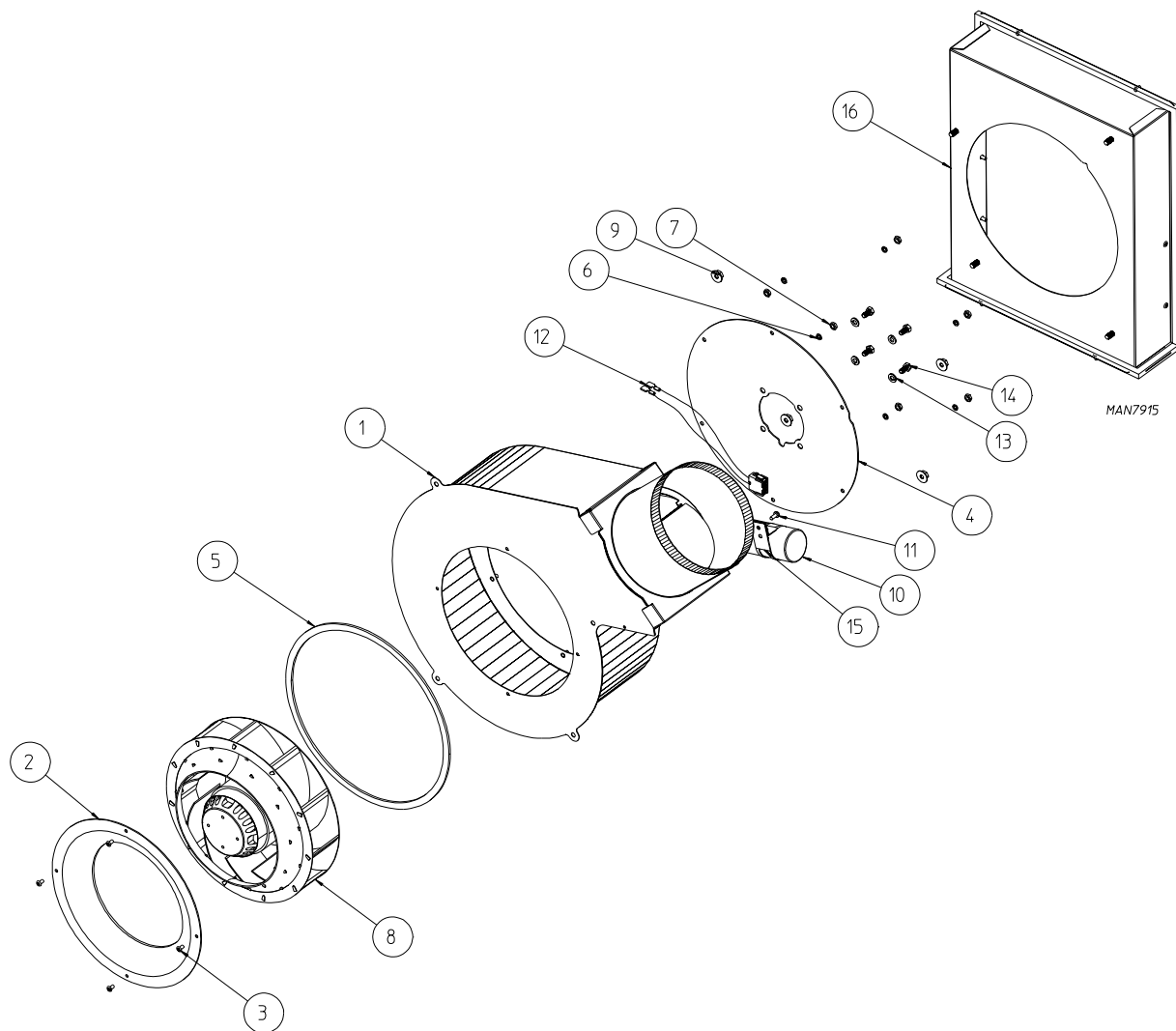


Illus. No.	Part No.	Qty.	Description
1	183008	2	0.060 Keyhole Button Yellow
2	150331	8	#8-18 x 1/2" Pan Head TORX® Screw
3	130104	1	215° Thermostat
4	141320	1	1/2" N.P.T. 90° Gas Union Full Port Shutoff
5	303341	1	Gas Valve Inlet Lock Bracket
6	128979	1	Redundant 24 Volt Gas Valve
7	303340	1	Gas Valve Bracket
8	303342	1	Gas Valve Outlet Lock Bracket
9	828238	1	Sail Switch Assembly
10	140908	1	#20 Orifice for Natural Gas
	140909	1	#41 Orifice for Liquid Propane Gas
11	142506	1	1/2" x 1/2" Street Elbow Black Iron
12	153073	2	#8-32 Keps Nut
13	128937	1	DSI Module 3 Tries
14	884278	1	High Voltage Cable
15	128915	1	Ignitor with Flame Probe
16	141137	1	Burner Tube
17	150309	8	#10-16 x 1/2" Hex Head TEK Crimptite Screw
18	154200	2	5/32" Pop Rivet
19	830621	1	Gas Burner Box Assembly
20	154220	2	3/16" Pop Rivet
—	884439	1	Liquid Propane Gas Conversion Kit



Illus. No.	Part No.	Qty.	Description
1	830632	1	Reversing Electrical Panel Assembly Complete – 120 Volts (includes illus. nos. 1 through 14)
	830644	1	Reversing Electrical Panel Assembly Complete – 208-240 Volts (includes illus. nos. 1 through 14)
2	132498	1	24V 2 Pole DP Contactor
3	136008	—	Fuse Holder
4	120910	4	Ground Screw
5	802784	1	Transformer Assembly
6	150301	3	#8-18 x 7/16" Phillips Screw
7	824828	1	R.C. Network with Connector
8	131383	1	Reversing Contactor
9	132198	1	Reversing Timer
10	150332	2	8" x 1" Phillips Screw
11	150331	3	#8-18 x 1/2" TORX® Screw
12	136049	—	3/4-amp Slo-Blo Fuse
13	112075	1	1/2" Dia Ground Screw Label
14	114506	1	Disconnect Supply Fuse Label
—	830706	1	Main Panel Wiring – 120 Volts ... Not Illustrated
	830722	1	Main Panel Wiring – 208-240 Volts ... Not Illustrated

Blower Motor Assembly



<u>Illus. No.</u>	<u>Part No.</u>	<u>Qty.</u>	<u>Description</u>
1	830607	1	Blower Housing Only
2	100647	1	Inlet Ring
3	154200	4	5/32" Pop Rivet
4	303335	1	Motorized Impellor Mount Cover
5	117604	1	1/8" x 3/8" Foam Gasket
6	153024	6	#10 Split Lock Washer
7	152008	6	#10-32 Hex Nut
8	887191	1	115V Motorized Impellor
	887031	1	208-240 Motorized Impellor
9	152014	4	1/4" x 20 Hex Flange Nut
10	100683	1	20MFD Capacitor (for 120 volt motors)
	100682	1	5 MFD Capacitor (for 208-240 volt motors)
11	150331	1	#8-18 x 1/2" TORX® Screw
12	121000	1	1/4" Spade Terminals
13	153007	4	1/4" Split Lock Washer
14	150691	4	6m x 12mm Hex Head Screw
15	315497	1	Capacitor Bracket
16	830624	1	Air Penum Assembly

<u>Part No.</u>	<u>Description</u>
303337	Upper Back Guard
303308	Lower Back Guard
125918	\$150 Coin Box Keyed Alike
833546	Coin Vault
103500	Leveling Legs, Adjustable
143536	6" Diameter 45 Degree Elbow

