



# **AD-45x2R Parts Manual**

---

**American Dryer Corporation**  
88 Currant Road  
Fall River MA 02720-4781 USA  
Telephone: +1 (508) 678-9000 / Fax: +1 (508) 678-9447  
e-mail: techsupport@amdry.com

[www.adclaundry.com](http://www.adclaundry.com)

# Retain This Manual In A Safe Place For Future Reference

This product embodies advanced concepts in engineering, design, and safety. If this product is properly maintained, it will provide many years of safe, efficient, and trouble free operation.

***ONLY properly licensed technicians should service this equipment.***

**OBSERVE ALL SAFETY PRECAUTIONS** displayed on the equipment or specified in the installation manual included with the dryer.

The following "FOR YOUR SAFETY" caution must be posted near the dryer in a prominent location.

## FOR YOUR SAFETY

Do not store or use gasoline or other flammable vapors and liquids in the vicinity of this or any other appliance.

## POUR VOTRE SÉCURITÉ

Ne pas entreposer ni utiliser d'essence ni d'autres vapeurs ou liquides inflammables à proximité de cet appareil ou de tout autre appareil.

We have tried to make this manual as complete as possible and hope you will find it useful. The manufacturer reserves the right to make changes from time to time, without notice or obligation, in prices, specifications, colors, and material, and to change or discontinue models.

## Important

For your convenience, log the following information:

DATE OF PURCHASE \_\_\_\_\_ MODEL NO. **AD-45x2R**

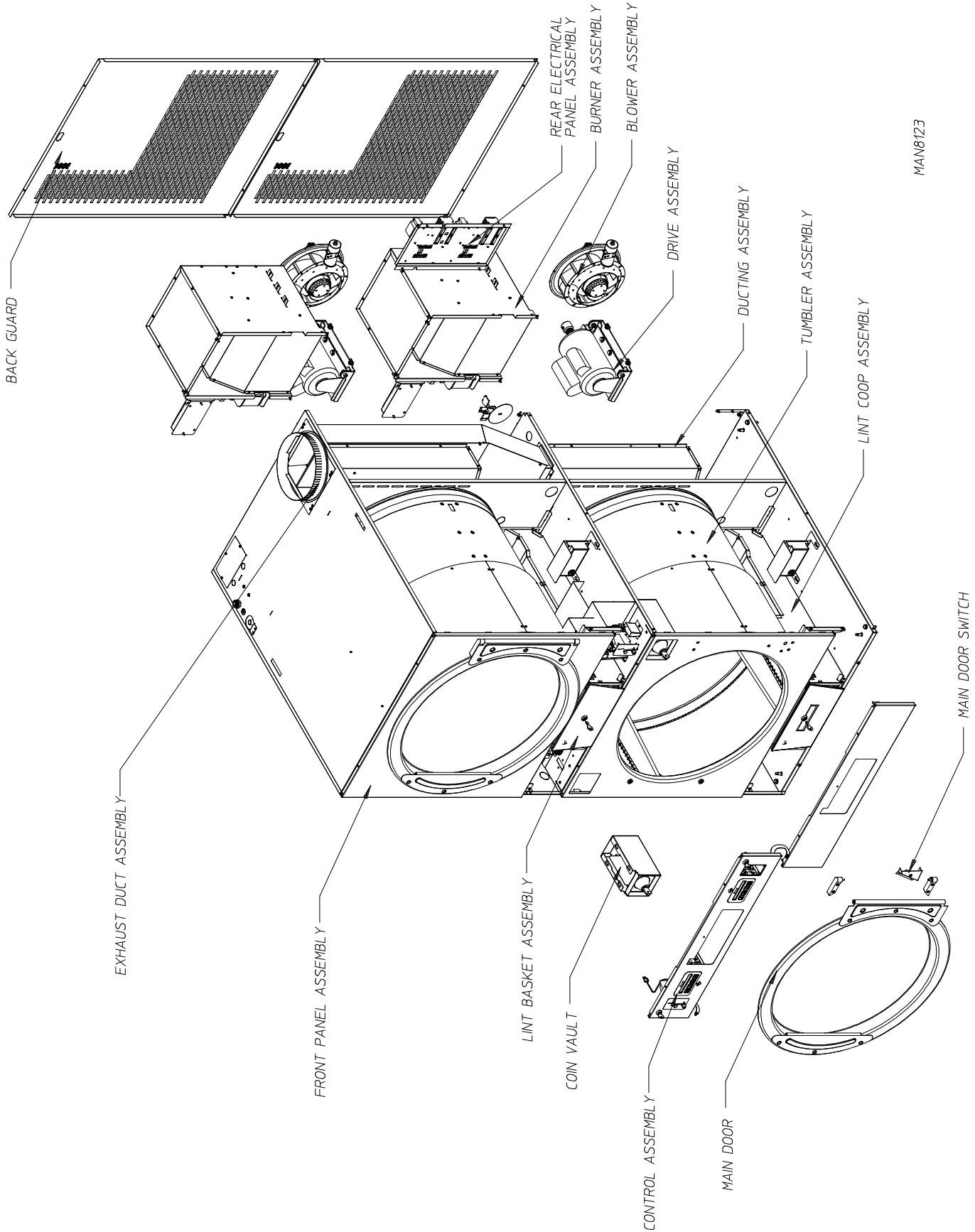
RESELLER'S NAME \_\_\_\_\_

Serial Number(s) \_\_\_\_\_

\_\_\_\_\_

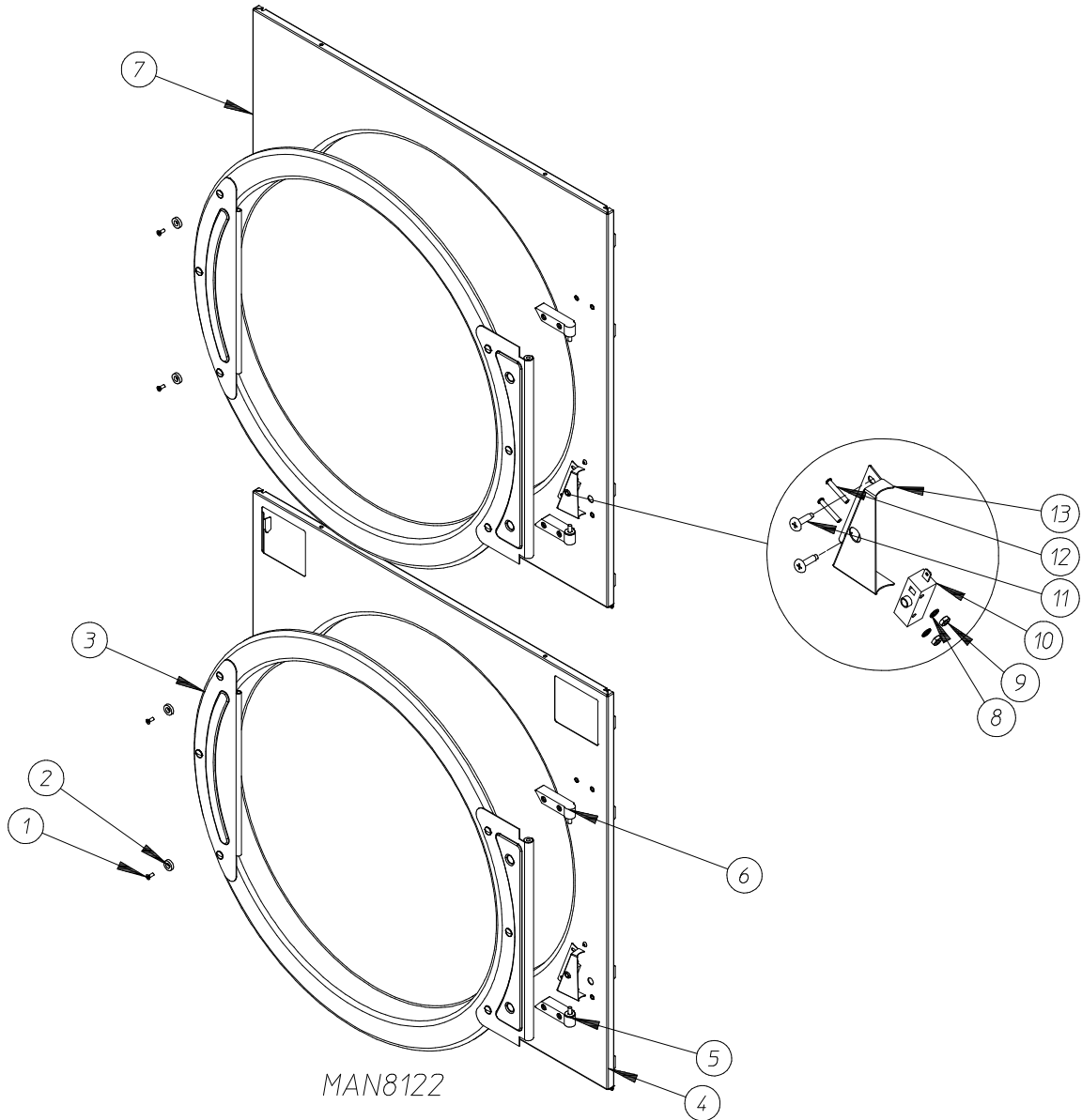
\_\_\_\_\_





MAN8123

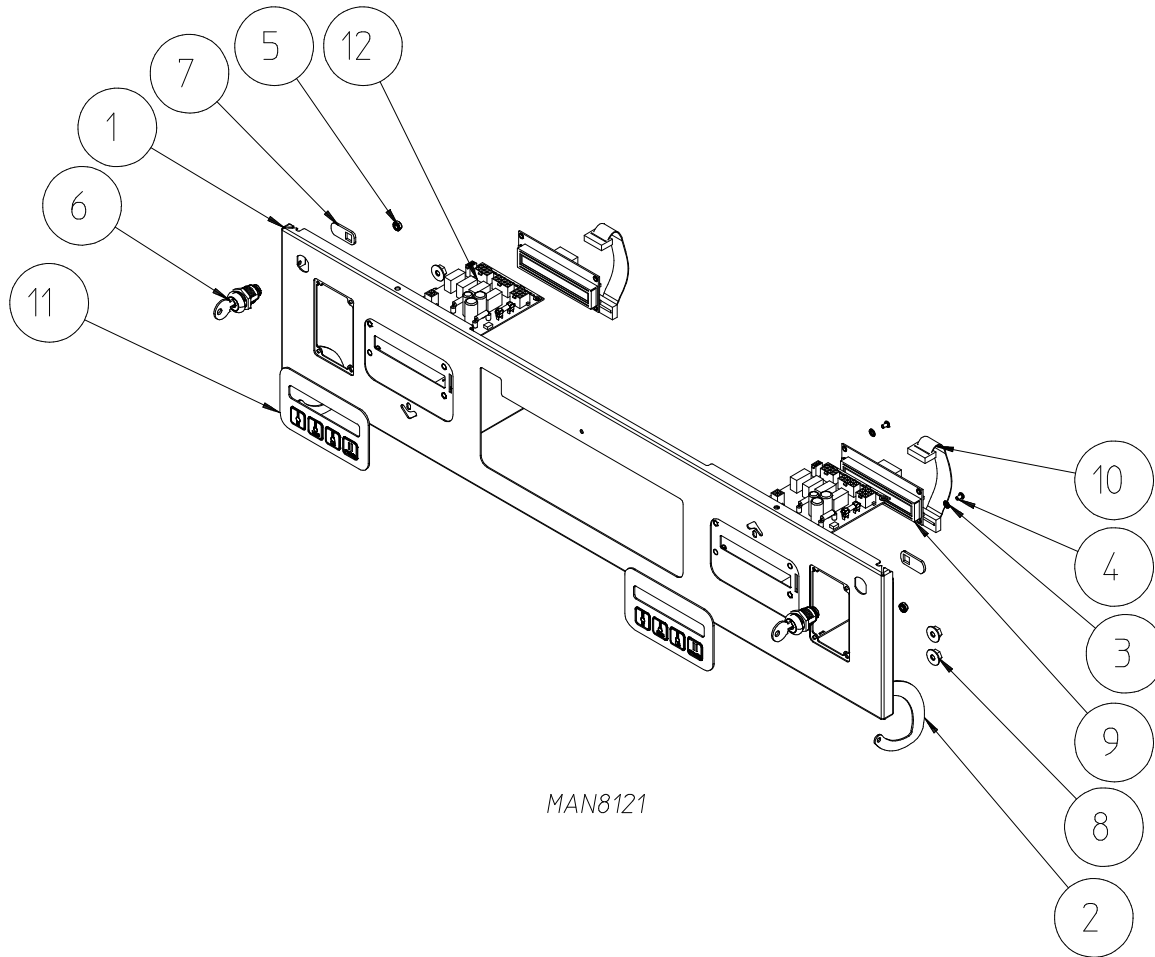
# Cold Rolled Steel Door Front Panel



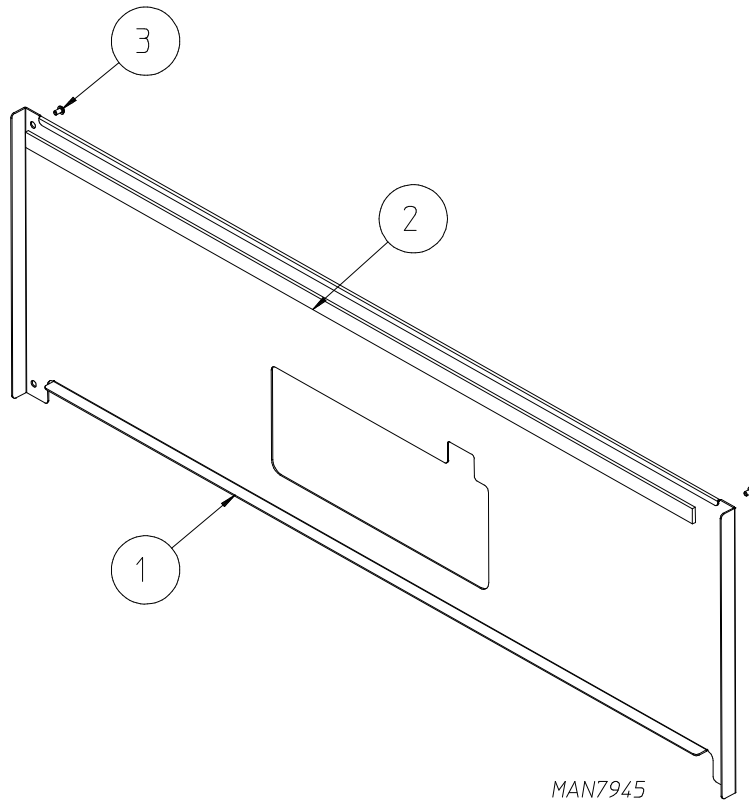
MAN8122

<u>Illus. No.</u>	<u>Part No.</u>	<u>Qty.</u>	<u>Description</u>
1	152223	2	Screw for Door Magnet
2	102004	2	Door Magnet
3	845249	2	Main Door Assembly
4	845212	1	Bottom Front Panel (coin)
	845210	1	Bottom Front Panel (non-coin)
5	170331	1	Bottom Hinge Block
6	170329	1	Top Hinge Block
7	845210	1	Top Front Panel
8	153010	2	Internal Star Washer
9	152013	2	#6-32 Hex Nut
10	137005	1	Door Switch
11	150201	2	#10-32 x 1/4" Phillips Screw
12	150006	2	#6-32 x 7/8" Phillips Pan Head Screw
13	314744	1	Door Switch Housing

# Coin Control Door Assembly



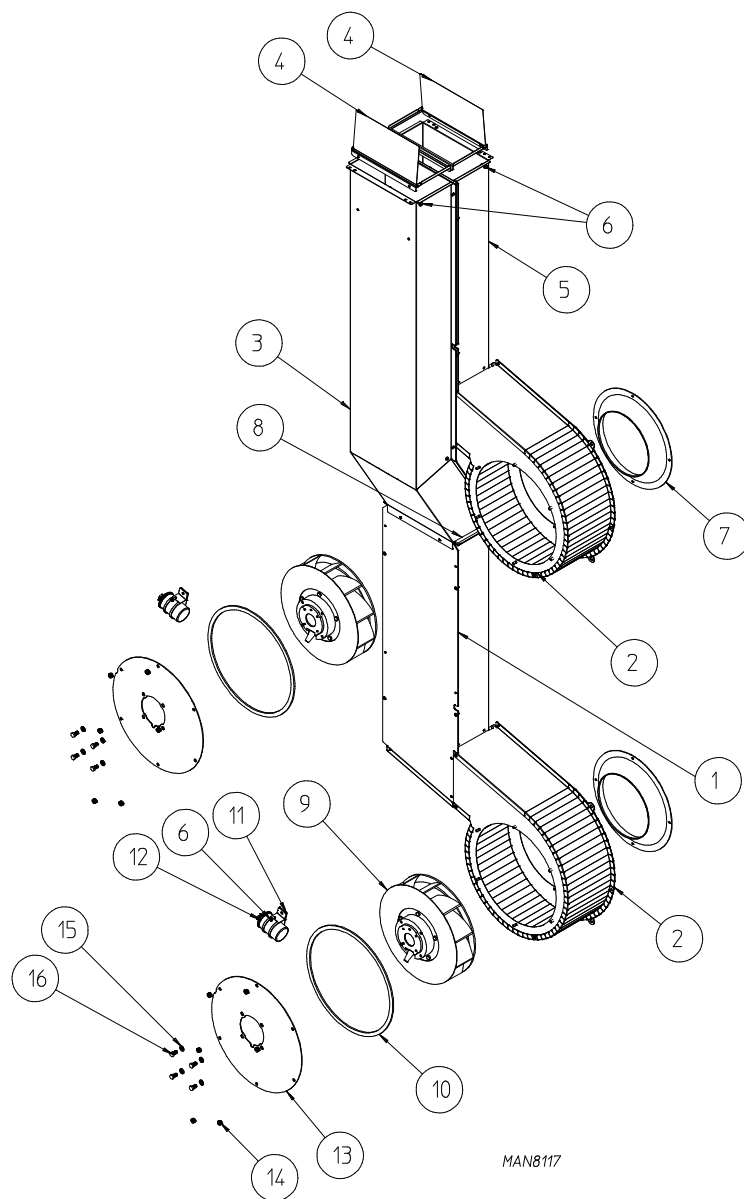
<u>Illus. No.</u>	<u>Part No.</u>	<u>Qty.</u>	<u>Description</u>
1	845246	1	Phase 7 Coin Control Door
	845247	1	Complete Phase 7 Coin Control Panel
2	324537	1	Control Panel Hinge (includes left and right)
3	153010	8	Internal Star Washer
4	150005	8	#6-32 x 1/4" Phillips Round Head Screw
5	153073	2	#8-32 KEPS Nut
6	160015	2	MK-100 Lock with Key
7	160032	2	1" Straight Cam
8	152014	4	1/4-20 Serrated Flange Nut
9	137270	2	Phase 7 Display Board
10	137250	2	Phase 7 Ribbon Cable
11	112575	2	Phase 7 Coin Keypad
12	887011	2	Phase 7 Coin Computer Board



<u>Illus. No.</u>	<u>Part No.</u>	<u>Qty.</u>	<u>Description</u>
1	324533*	1	Lower Toe Panel Assembly (includes illus. nos. 1 and 2)
2	117605	3	Noise Suppression Tape
3	150320	4	#10-16 x 3/4" Black TORX® Screw

\* Specify color.

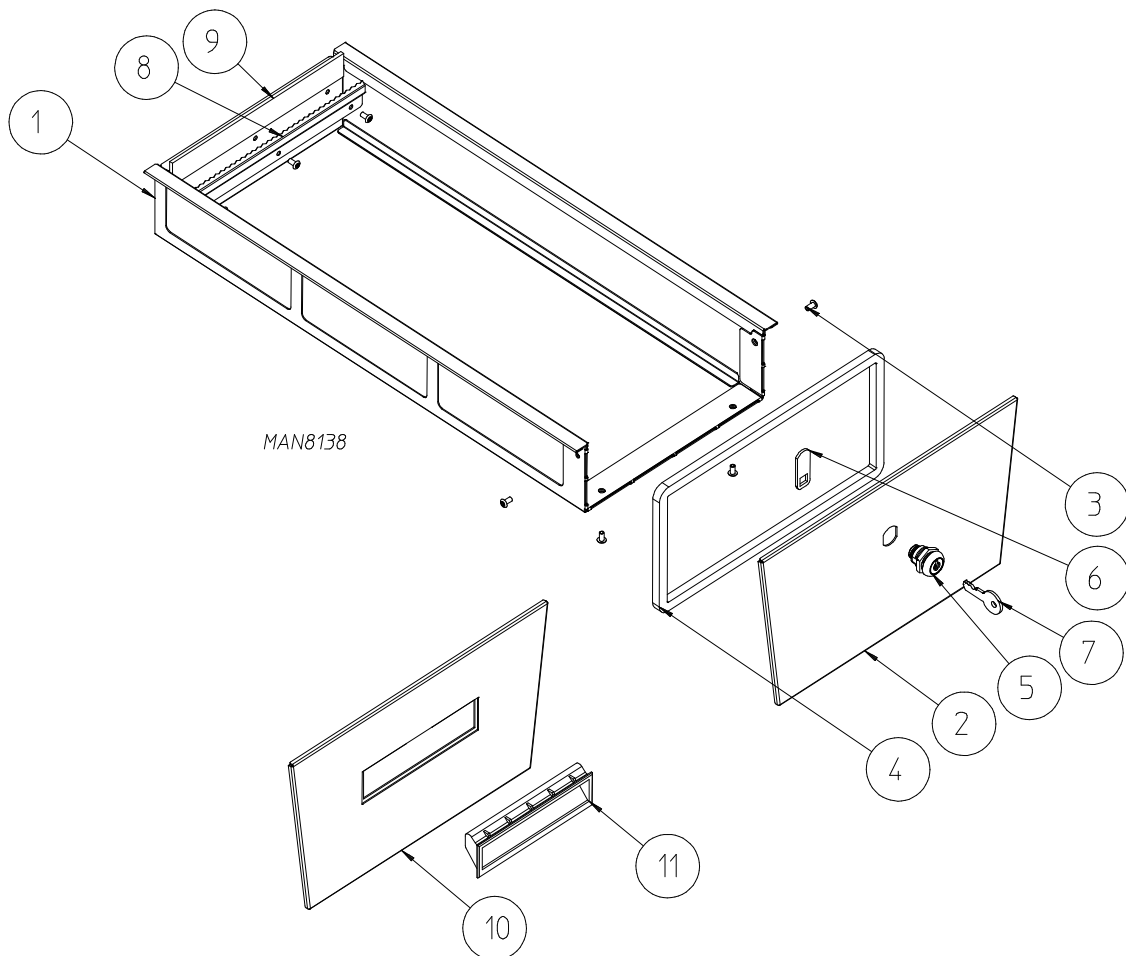
# Blower Motor Assembly



MAN8117

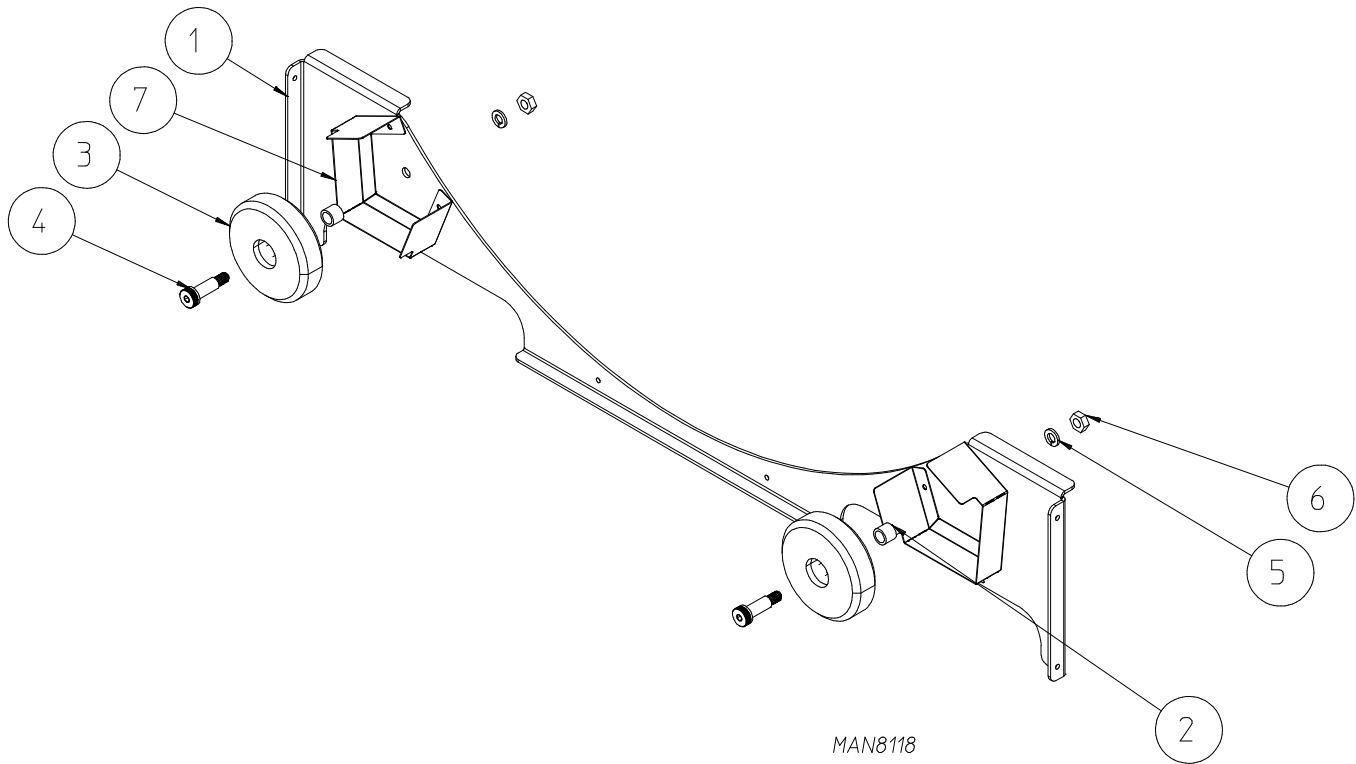
<u>Illus. No.</u>	<u>Part No.</u>	<u>Qty.</u>	<u>Description</u>
1	845237	1	Lower Vertical Ducting
2	845236	2	Blower Housing
3	845238	1	Internal Ducting Offset
4	845244	2	Back Draft Damper
5	845245	1	Upper Vertical Ducting
6	150331	4	#8-18 x 1/2" Pan Head Torx® Screw
7	100647	2	Inlet Ring
8	117617	2	Sponge Tape
9	887191	2	Motorized Impellor
10	117604	4	Neo Sponge Tape (blower)
11	315497	2	Capacitor Bracket
12	884451	2	20MFD Capacitor
13	303335	2	Motorized Impellor Mount
14	153076	6	#10-32 Keps Nut
15	153007	4	1/4" Split Lock Washer
16	150691	4	6mm x 12mm Hex Head Bolt



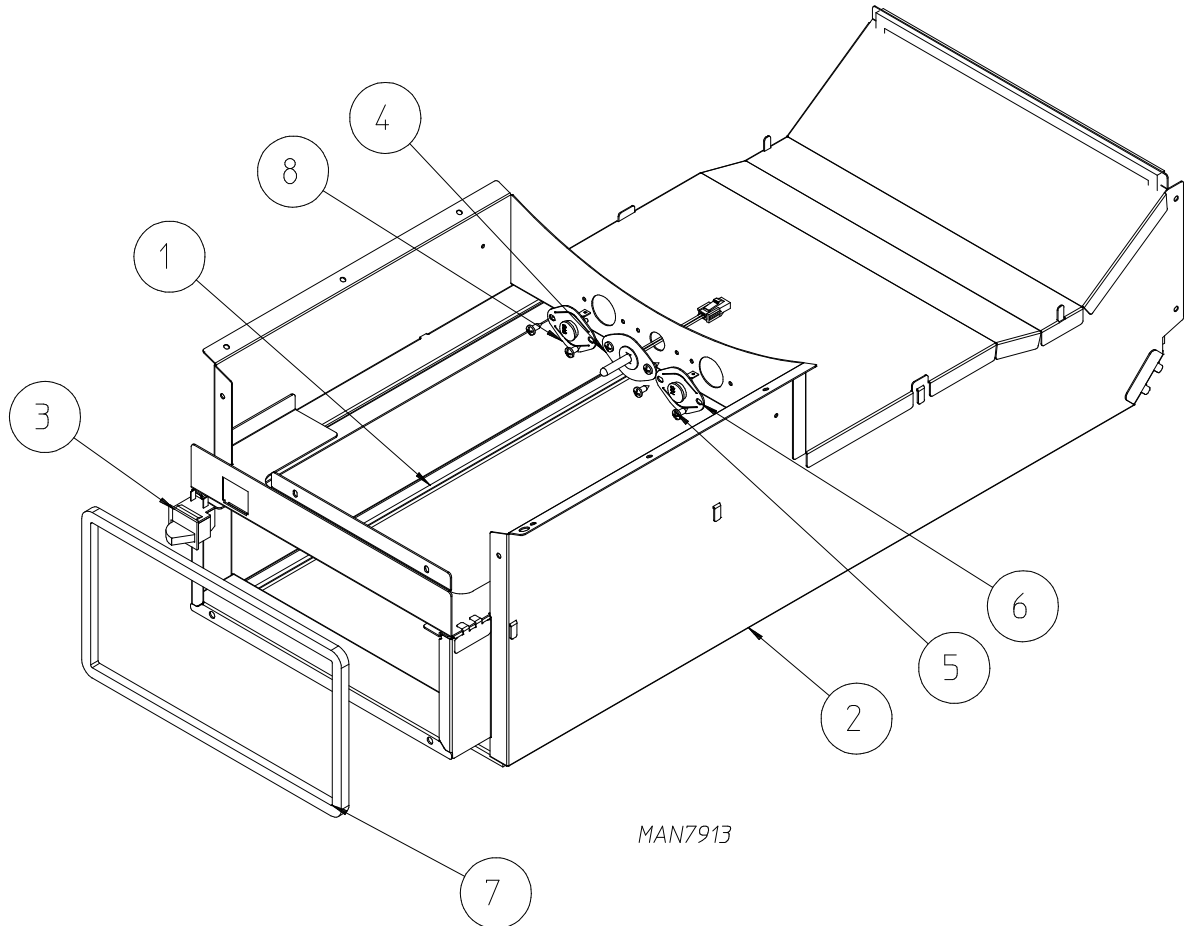


<u>Illus. No.</u>	<u>Part No.</u>	<u>Qty.</u>	<u>Description</u>
1	845223	1	Lint Drawer Complete (non-locking)
	845227	1	Locking Lint Drawer Complete
	845225	1	Lint Drawer Body (no face)
2	845228	1	Lint Drawer Handle (locking)
3	154211	7	5/32 Buttonhead Rivet
4	117617	3	Sponge Tape
5	883798	1	AD-100 Lock Assembly with Cam and Key
6	160016	1	1-1/4" Straight Cam
7	160103	1	AD100 Key
8	324528	1	Lint Drawer Felt Retainer
9	115932	1	Lint Drawer Felt
10	845226	1	Non-Locking Lint Drawer Handle
11	170224	1	Plastic Grip for Handle

# Front Wheel Bracket Assembly



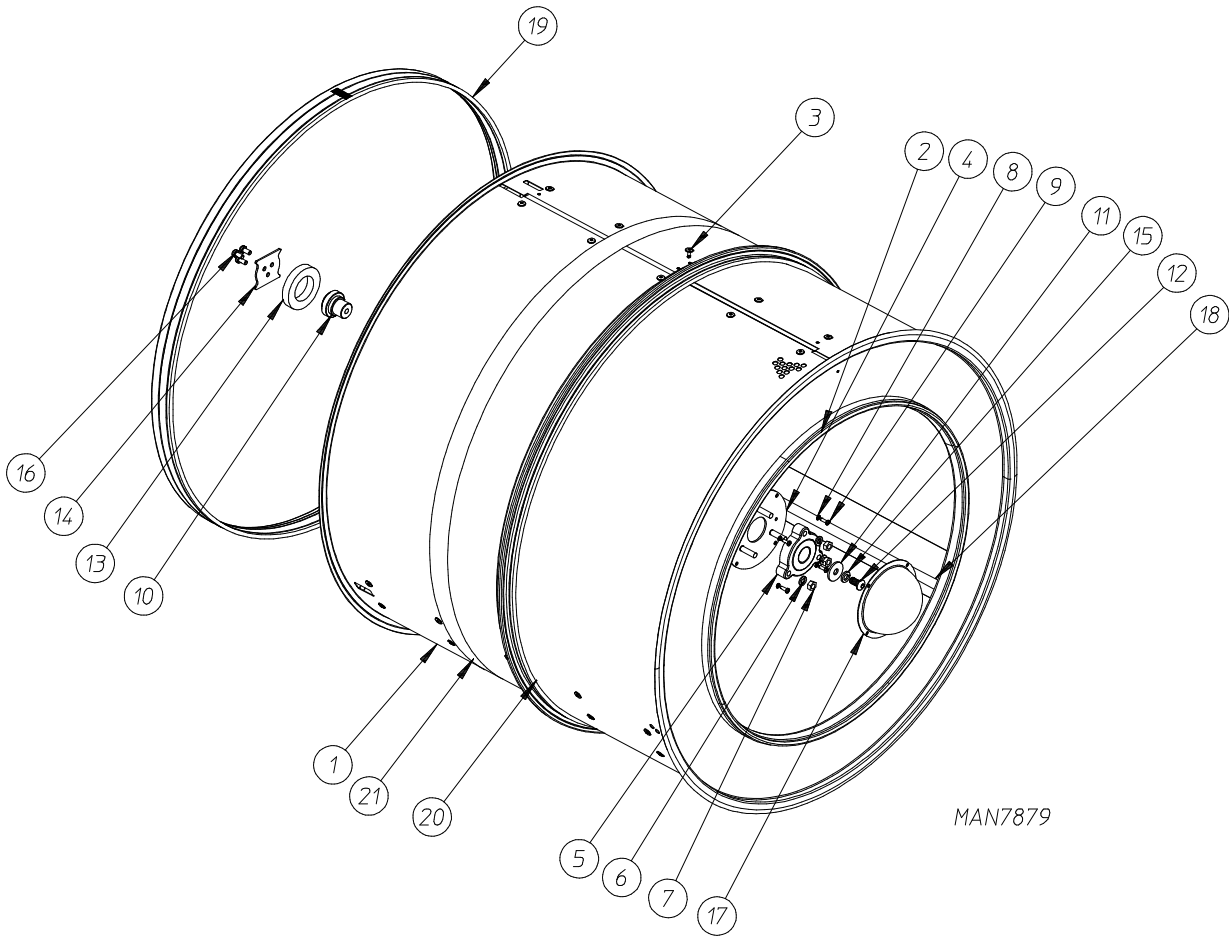
<u>Illus. No.</u>	<u>Part No.</u>	<u>Qty.</u>	<u>Description</u>
1	845216	1	Front Wheel Bracket Assembly (includes illus. nos. 1 through 9)
	324511	1	Front Wheel Support Bracket Only
2	154284	2	Tumbler Wheel Spacer
3	180050	2	Tumbler Wheel
4	154264	2	10M8 x 25 mm Shoulder Screw
5	153002	2	5/16" Black Washer
6	154013	2	M8 Hex Nut
7	303331	1	2" Wheel Guard



MAN7913

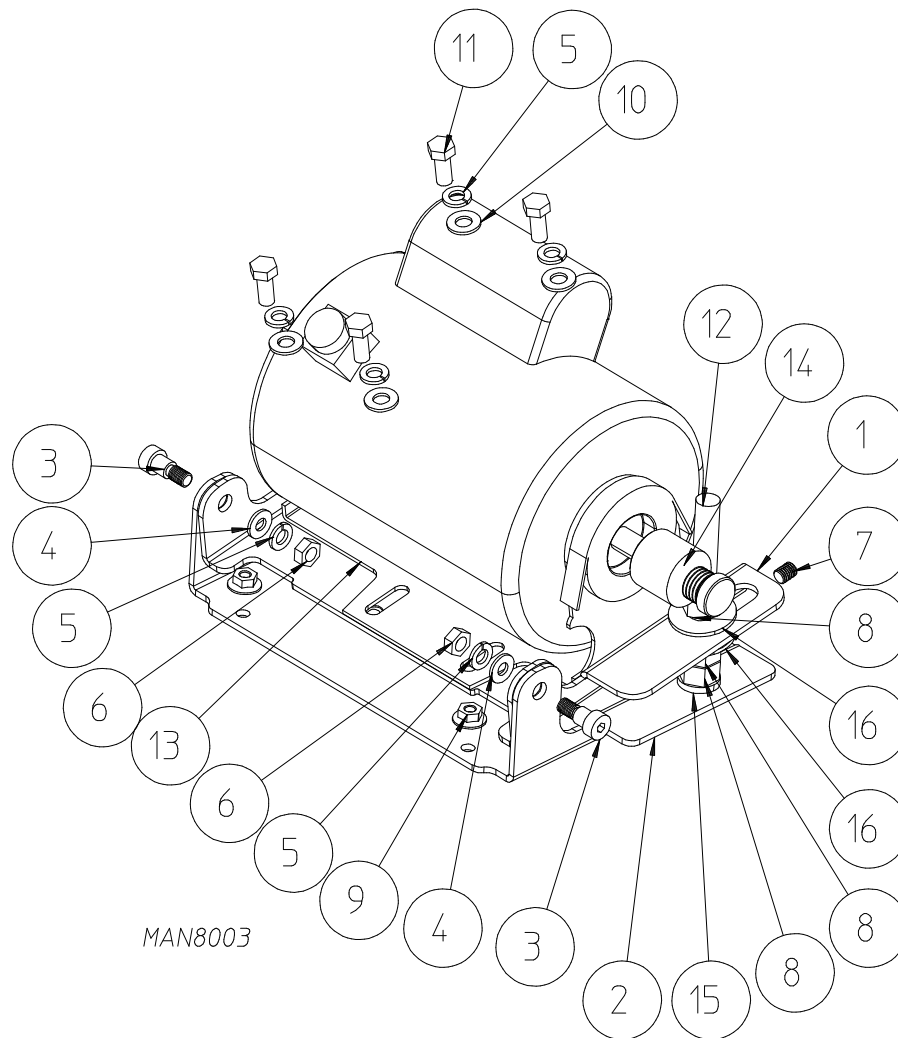
<u>Illus. No.</u>	<u>Part No.</u>	<u>Qty.</u>	<u>Description</u>
1	117617	12	3/8" x 5/16" Foam Gasket (sold by the foot)
2	845217	1	Lint Coop Assembly Complete (includes illus. nos. 1 through 8)
	845218	1	Lint Coop Only
3	122002	1	Lint Draw Switch
4	845219	1	Exhaust Sensor Probe Assembly
5	150301	4	#8-18 x 7/16" Phillips Pan Head Screw
6	130100	1	150° Automatic Reset Thermostat (Phase 5 computer only)
7	117617	4	3/8" x 5/16" Foam Gasket
8	130098	1	190° Manual Reset Thermostat

# Tumbler Assembly



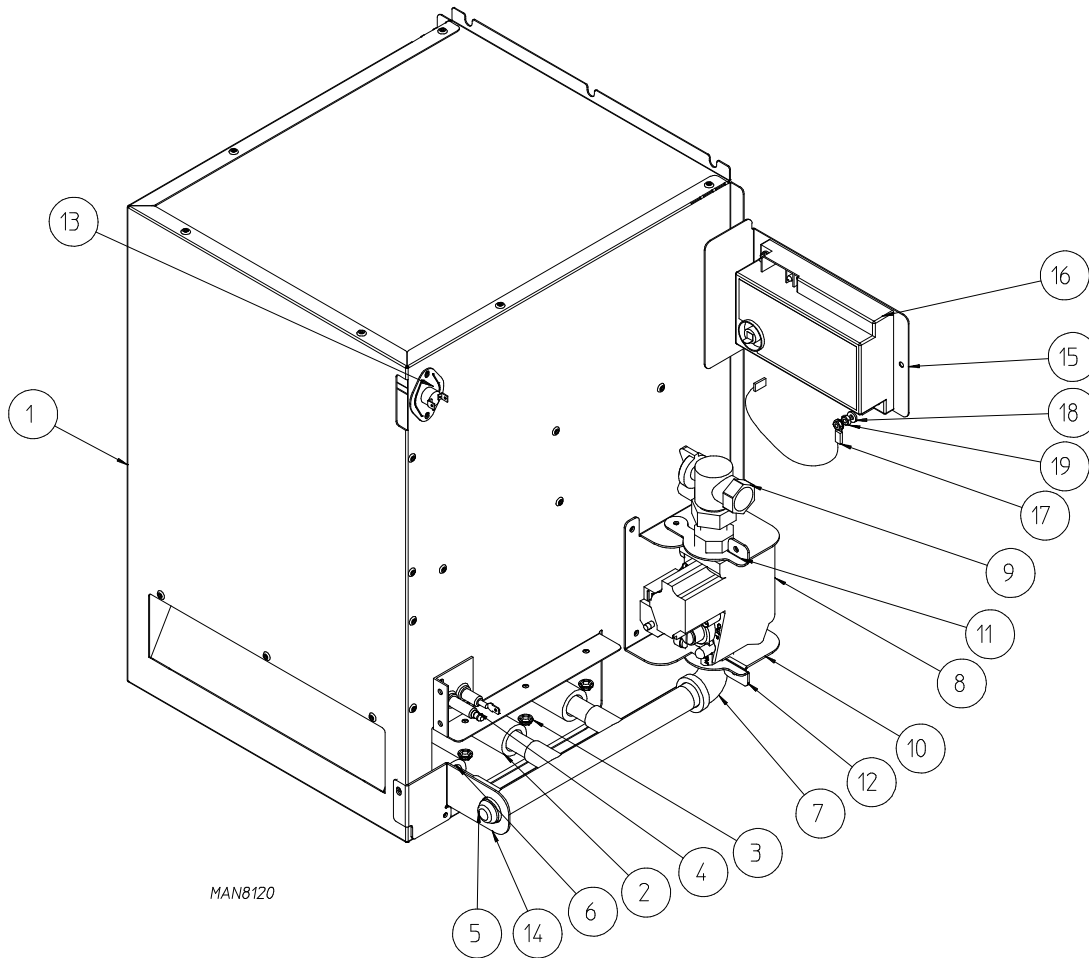
MAN7879

<u>Illus. No.</u>	<u>Part No.</u>	<u>Qty.</u>	<u>Description</u>
1	845208	1	Galvanized 3 Rib Tumbler Assembly (includes illus. nos. 1 through 19)
	845207	1	Galvanized 3 Rib Tumbler ONLY
	845251	1	Stainless Steel Tumbler Assembly (includes illus. nos. 1 through 19)
2	115921	1	Tumbler Front Felt
3	154210	58	5/32" Pop Rivet
4	846011	1	Tumbler Blairing Plate Assembly
5	100296	1	3 Bolt Self Aligning Flange Bearing
6	153002	3	5/16" Lock Washer
7	152004	3	5/16-18 Hex Nut
8	153012	4	#8 Internal Star Washer
9	150108	4	#8-32 x 1/2" Phillips Machine Screw
10	346119	1	Tumbler Shaft
11	346029	1	Stainless Steel Washer
12	184241	1	3/8-16 x 3/4" Button Head Socket Screw with Nylon Patch
13	115919	1	Tumbler Bearing Felt Ring
14	346069	1	Tumbler Shaft Backup Plate
15	153005	1	3/8" Lock Washer
16	150636	3	1/4-20 x 1/2" Button Head Socket Screw with Nylon Patch
17	185597	1	Bearing Cover
18	324539	4	Tumbler Ribs
19	115920	1	Rear Tumbler Felt
20	115931	1	Separator Felt
21	102418	1	Tumbler Drive Belt

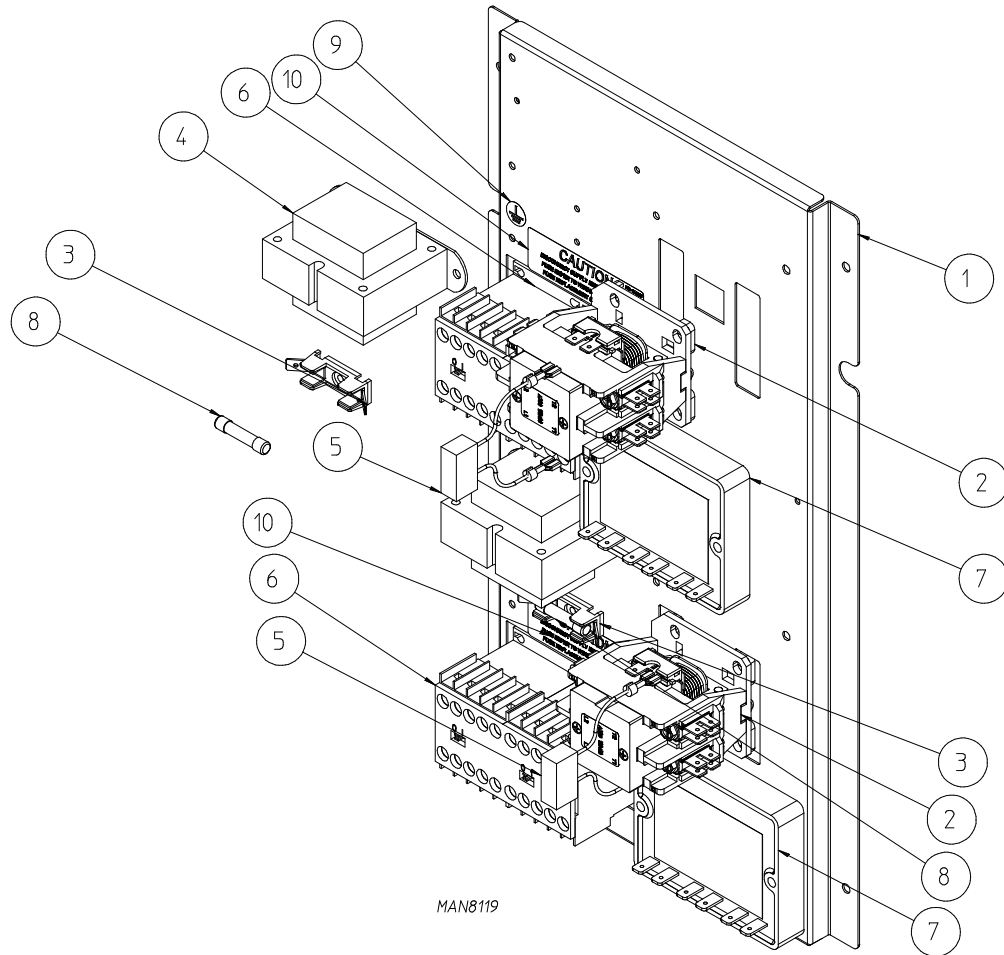


<u>Illus. No.</u>	<u>Part No.</u>	<u>Qty.</u>	<u>Description</u>
1	846017	1	Drive Motor Mount Assembly Complete (includes illus. nos. 1 through 15)
2	846016	1	Drive Motor Mount Base Plate
3	154266	2	3/8" x 3/8" Shoulder Bolt
4	153018	2	1/4" Flat Washer
5	153002	6	5/16" Lock Washer
6	152004	2	5/16-18 Hex Nut
7	154321	1	5/16-24 x 3/8" Allen Setscrew
8	152011	2	1/2" x 1-3/8" Hex Nut
9	152014	1	1/4-20 Washer Nut
10	153001	4	5/16" Flat Washer
11	150501	4	5/16-18 x 3/4" Machine Bolt
12	150609	1	1/2-13 x 4.5 Tap Bolt
13	884393	1	Drive Motor with Sheave
14	315696	1	Motor Sheave
15	153026	1	1/2" Lock Washer
16	153011	2	1-3/8" OD Flat Washer

# Gas Burner Assembly



<u>Illus. No.</u>	<u>Part No.</u>	<u>Qty.</u>	<u>Description</u>
1	845221	1	Gas Burner Assembly
2	141104	3	Burner Tube
3	151001	3	#8-32 Pal Nut
4	884265	1	Igniter Assembly with Flame Probe
5	141232	1	Burner Manifold 3-Port
6	140816	3	Natural Gas Burner Orifice #36
	140800	3	Liquid Propane Gas Burner Orifice #52
7	142506	1	1/2" Gas Elbow
8	128979	1	Gas Valve
	884411	1	Liquid Propane Kit for AD-45x2(R)
9	141320	1	1/2" Union Shut Off
10	303340	1	Gas Valve Bracket
11	303341	1	Gas Valve Bracket Inlet Lock
12	303342	1	Gas Valve Bracket Outlet Lock
13	130403	1	Burner High-Limit Auto 330° F
14	324524	1	Gas Manifold Bracket
15	845274	1	DSI Module Bracket with Heat Shield
16	887133	1	DSI Module
	884279	1	H.V. Wire
17	822513	1	Ground Wire for DSI Module 822513
18	153017	1	#6 Washer
19	152013	1	#6 Hex Nut



<u>Illus. No.</u>	<u>Part No.</u>	<u>Qty.</u>	<u>Description</u>
1	845224	1	Electrical Panel Complete (includes illus. nos. 1 through 10)
2	132498	2	Blower Motor Contactor
3	136008	2	Fuse Holder
4	802784	2	Transformer Assembly
5	824828	2	Arc Suppressor Assembly
6	132497	2	Reversing Contactor
7	132198	2	Reversing Timer
8	136049	2	3/4-Amp Fuse

## *Additional Parts Available*

---

<u>Part No.</u>	<u>Description</u>
303337	Upper Back Guard
303308	Lower Back Guard
125918	\$150 Coin Box Keyed Alike
833546	Coin Vault
103500	Leveling Legs, Adjustable
143536	6" Diameter 45 Degree Elbow





