



ADG-758

(Gas)

Parts Manual

American Dryer Corporation
88 Currant Road
Fall River, MA 02720-4781
Telephone: (508) 678-9000 / Fax: (508) 678-9447
e-mail: techsupport@amdry.com
www.amdry.com

ADC Part No. 450417

Retain This Manual In A Safe Place For Future Reference

American Dryer Corporation products embody advanced concepts in engineering, design, and safety. If this product is properly maintained, it will provide many years of safe, efficient, and trouble-free operation.

ONLY qualified technicians should service this equipment.

OBSERVE ALL SAFETY PRECAUTIONS displayed on the equipment or specified in the installation/operator's manual included with the dryer.

The following “**FOR YOUR SAFETY**” caution **must be** posted near the dryer in a prominent location.

FOR YOUR SAFETY

Do not store or use gasoline or other flammable vapors or liquids in the vicinity of this or any other appliance.

POUR VOTRE SÉCURITÉ

Ne pas entreposer ni utiliser d'essence ni d'autres vapeurs ou liquides inflammables dans le voisinage de cet appareil ou de tout autre appareil.

We have tried to make this manual as complete as possible and hope you will find it useful. **ADC** reserves the right to make changes from time to time, without notice or obligation, in prices, specifications, colors, and material, and to change or discontinue models.

Important

For your convenience, log the following information:

DATE OF PURCHASE _____ **MODEL NO.** **ADG-758**

DISTRIBUTORS NAME _____

Serial Number(s) _____

Replacement parts can be obtained from your distributor or the **ADC** factory. When ordering replacement parts from the factory, you can FAX your order to **ADC** at (508) 678-9447 or telephone your orders directly to the **ADC** Parts Department at (508) 678-9000. Please specify the dryer **model number** and **serial number** in addition to the **description** and **part number**, so that your order is processed accurately and promptly.

The illustrations on the following pages may not depict your particular dryer exactly. The illustrations are a composite of the various dryer models. Be sure to check the descriptions of the parts thoroughly before ordering.

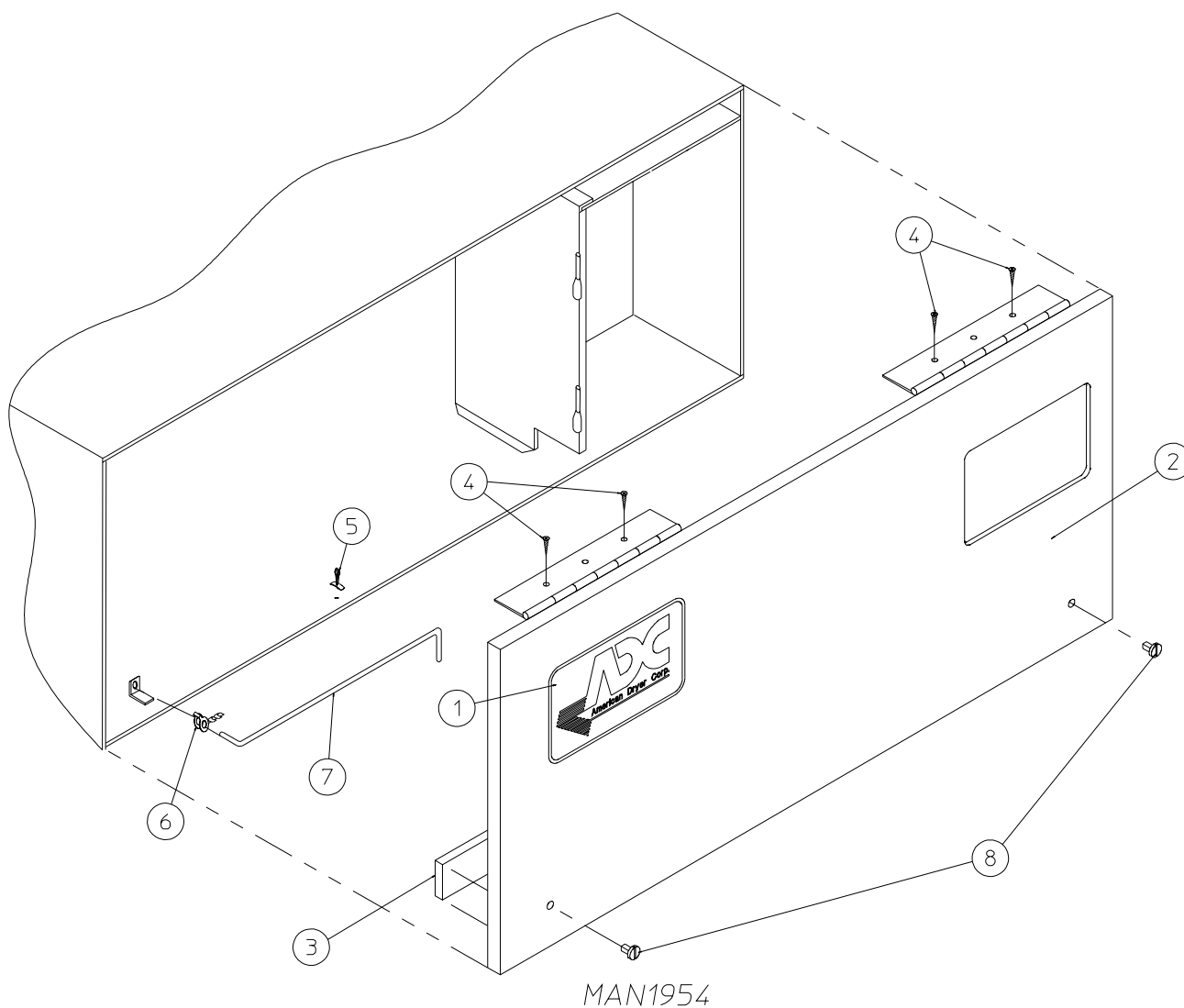
“IMPORTANT NOTE TO PURCHASER”

Information must be obtained from your local gas supplier on the instructions to be followed if the user smells gas. These instructions must be posted in a prominent location near the dryer.

Table of Contents

| | |
|--|--------|
| Control Door Assembly Without Trim | 2 |
| Control Door Assembly With Trim | 3 |
| Phase 5 OPL Microprocessor Control Panel Assembly | 4 |
| Phase 5 Coin Microprocessor Control Panel Assembly | 5 |
| Phase 5 Coin and OPL Microprocessor Control Box Assembly | 6 |
| Coin Vault Assembly | 7 |
| Dual Timer Control Panel Assembly | 8, 9 |
| Dual Timer Control Box Assembly | 10 |
| Front Panel Assembly | 11 |
| Main Door Assembly | 12 |
| Main Door “Cold Rolled Steel (CRS)” Assembly | 13 |
| Cold Rolled Steel (CRS) Door Front Panel | 14 |
| Main Door Switch Housing | 15 |
| Basket (Tumbler)/Support Assemblies | 16, 17 |
| Drop Lint Door Assembly Without Trim | 18 |
| Drop Lint Door Assembly With Trim | 19 |
| Lint Trap Assembly | 20 |
| Idler Bearing Assembly | 21 |
| Tumbler Bearing Assembly | 22, 23 |
| Non-Reversing Totally Enclosed, Fan-Cooled (T.E.F.C.) Motor Mount Assembly | 24, 25 |
| Reversing Totally Enclosed, Fan-Cooled (T.E.F.C.) Motor Mount Assembly | 26, 27 |
| Sensor Bracket Assemblies | 28, 29 |
| Hot Surface Ignition (HSI) Burner Assembly | 30, 31 |
| Sail Switch Assembly | 32 |
| Single Phase Motor, Electric Relay Panel Assembly | 33 |
| 3-Phase Motor, Electric Relay Panel Assembly | 34 |
| Microprocessor Reversing Rear Control Box Assembly | 35 |
| Dual Timer Reversing Rear Control Box Assembly | 36 |
| Outer Top/Back Guard Assemblies | 37 |
| Coin Acceptor Listing | 38 |
| Step Down Transformer Usage Listing | 39 |
| Additional Parts Available | 40 |

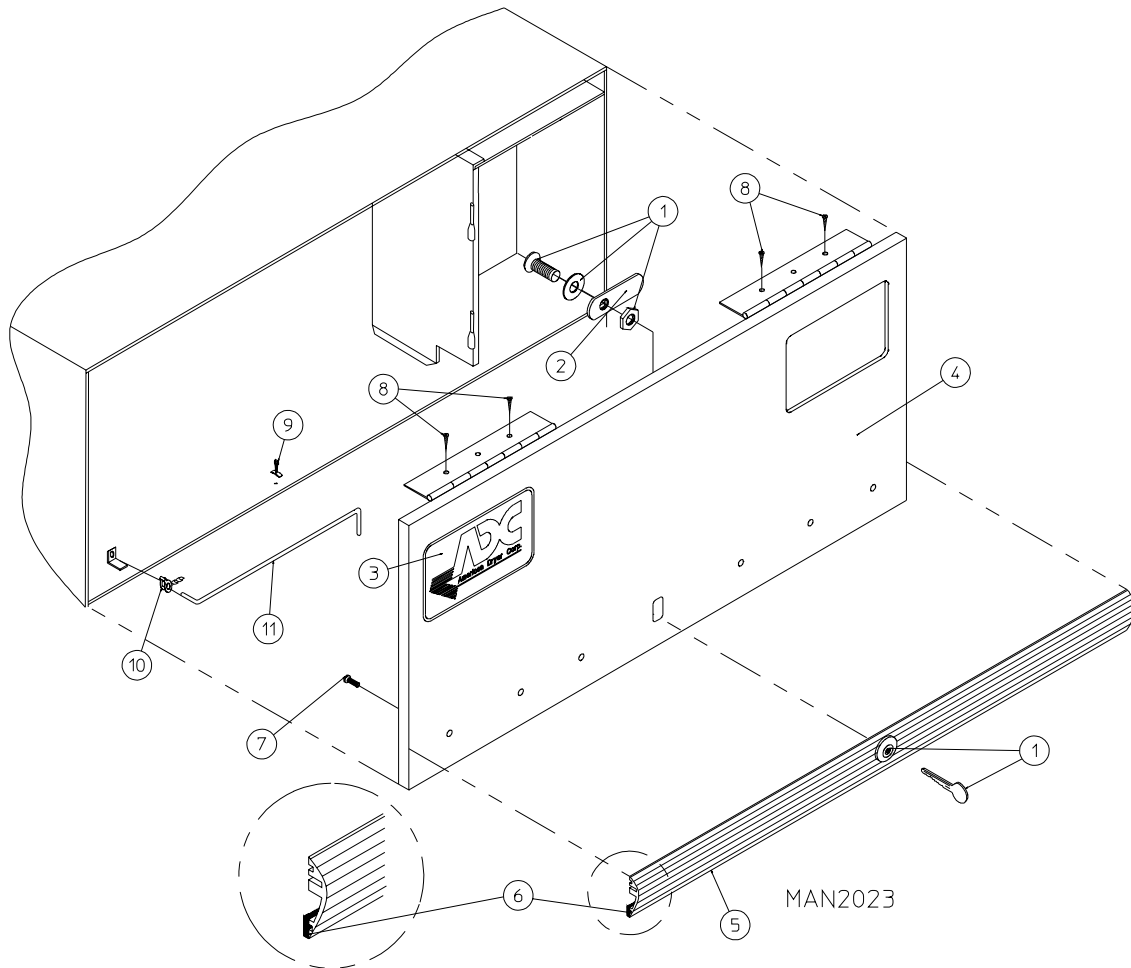
Control Door Assembly Without Trim



| <u>Illus. No.</u> | <u>Part No.</u> | <u>Qty.</u> | <u>Description</u> |
|-------------------|-----------------|-------------|---|
| 1 | 881053 | 1 | ADC Logo ONLY |
| | 870011 | 1 | Logo Double Adhesive Tape Kit ONLY |
| 2 | 881045* | 1 | Control Door (includes illus. nos. 2 and 3) |
| | 881046 | 1 | Stainless Steel Control Door (includes illus. nos. 2 and 3) |
| 3 | 117604 | 4 | Neoprene Sponge Tape (sold by the foot) |
| 4 | 150300 | 4 | #10 x 1/2" Hex Washer TEK Screw |
| 5 | 102600 | 1 | Control Door Rod Support Catch |
| 6 | 102601 | 1 | Control Door Retainer Clip |
| 7 | 102502 | 1 | Control Door Rod |
| 8 | 160005 | 2 | Turn Latch |

* Specify color when ordering.

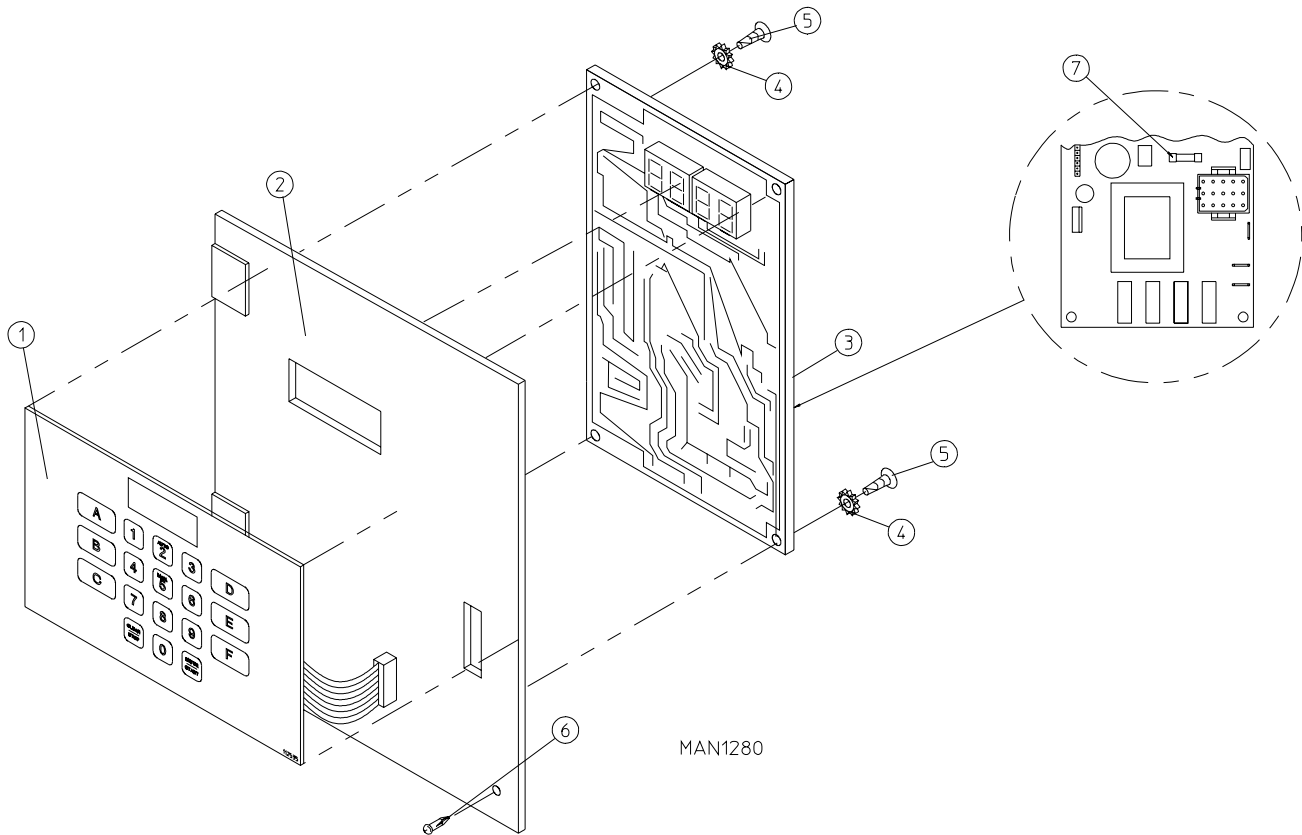
Control Door Assembly With Trim



| Illus. No. | Part No. | Qty. | Description |
|------------|----------|------|---|
| 1 | 160015 | 1 | High Security MK-100 Lock Assembly with Key (for Coin Models Only) |
| | 160017 | 1 | Special Dummy Lock ONLY (for non-Coin Models Only) |
| | 160104 | 1 | MK-100 Key ONLY |
| 2 | 160016 | 1 | Lock Cam ONLY |
| 3 | 881053 | 1 | ADC Logo ONLY |
| | 870011 | 1 | Logo Double Tape Kit |
| 4 | 800020* | 1 | High Security Control Door Assembly (includes illus. nos. 4 through 7) |
| | 800144 | 1 | Stainless Steel High Security Control Door Assembly (includes illus. nos. 4 through 7) |
| 5 | 180202 | 1 | Top Trim Strip (Gray) with Lock Hole (38-1/4" length) |
| 6 | 117603 | 3 | Suppressor Tape/Gasket (sold by the foot) |
| 7 | 150201 | 6 | #10-32 x 1/4" Phillips Round Head Machine Screw |
| 8 | 150309 | 4 | #10-16 x 1/2" Hex Head TEK Crimptite Screw |
| 9 | 102600 | 1 | Control Door Rod Support Catch |
| 10 | 102601 | 1 | Control Door Rod Retainer Clip |
| 11 | 102502 | 1 | Control Door Support Rod |

* Specify color when ordering.

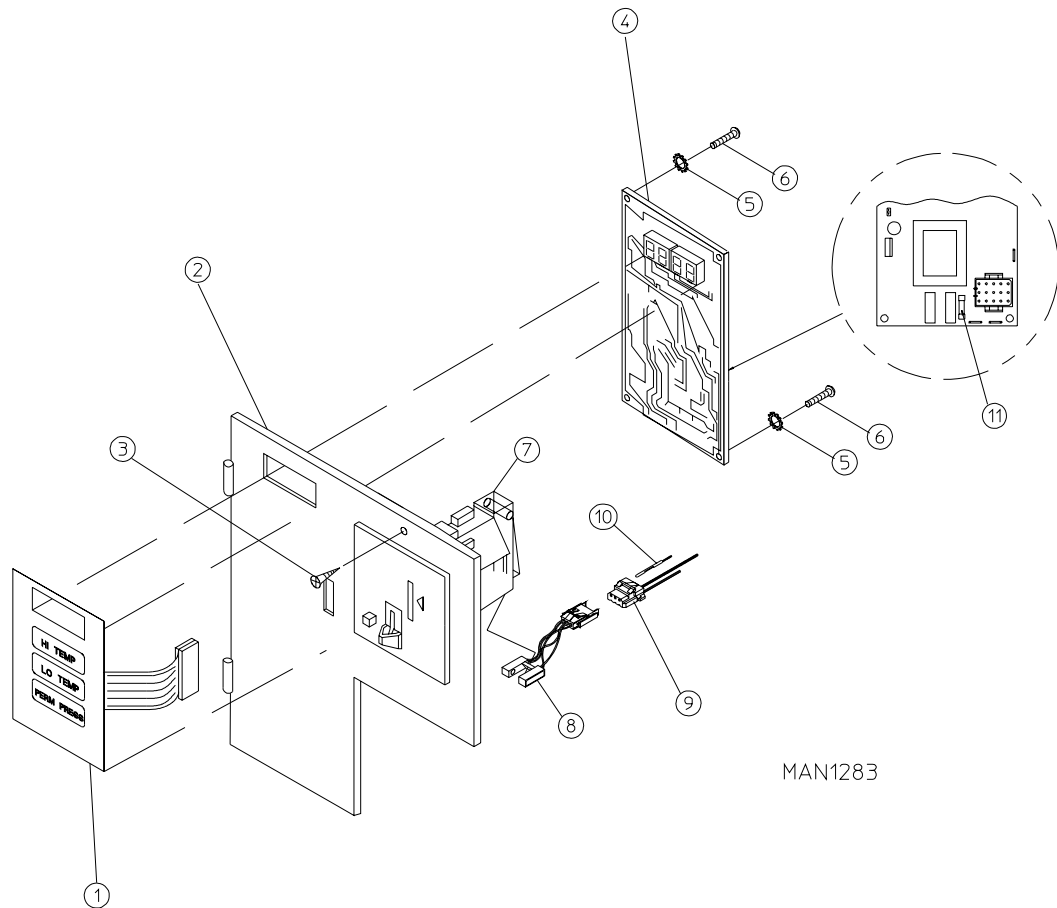
Phase 5 OPL Microprocessor Control Panel Assembly



| <u>Illus. No.</u> | <u>Part No.</u> | <u>Qty.</u> | <u>Description</u> |
|-------------------|-----------------|-------------|--|
| 1 | 112535 | 1 | OPL English Keyboard Label Assembly |
| | 112276 | 1 | OPL Stick-on Labels (English ONLY) ... Not Illustrated |
| | 112275 | 1 | OPL Stick-on Labels ... Not Illustrated (Spanish, Italian, and Hebrew) |
| | 112277 | 1 | 3-Language OPL Stick-on Labels ... Not Illustrated (English, Spanish, and Hebrew) |
| | 112278 | 1 | 5-Language OPL Stick-on Labels ... Not Illustrated (Italian, Dutch, French, German, and Chinese) |
| 2 | 801255 | 1 | Phase 5 Microprocessor Control Panel ONLY |
| | 801256 | 1 | Phase 5 Microprocessor Control Panel ONLY with Battery Bracket |
| | 801206 | 1 | Phase 5 OPL Non-Reversing Microprocessor Control Panel Assembly Complete (includes illus. nos. 1 through 6) |
| | 801207 | 1 | Phase 5 OPL Reversing Microprocessor Control Panel Assembly Complete (includes illus. nos. 1 through 6) |
| 3 | 137222 | 1 | Phase 5 OPL Non-Reversing Microprocessor Controller (computer) ONLY |
| | 137231 | 1 | Phase 5 OPL Reversing Microprocessor Controller (computer) ONLY |
| | 824998 | 1 | Phase 5 Battery Clip |
| 4 | 153010 | 2 | #6 Star Washer |
| | 150005 | 2 | #6-32 x 1/4" Phillips Round Head Machine Screw |
| 5 | 150429 | 1 | #10-16 x 1/2" TORX Head CrimpTite Screw |
| | 150433 | 1 | TORX Hand Driver (for removal of TORX Head Screw) |
| 6 | 150433 | 1 | TORX Hand Driver (for removal of TORX Head Screw) |
| 7 | 136048 | 1 | 1/8-Amp (Slo Blo) Fuse |

IMPORTANT: Check label on computer chip to verify correct part number for controller (computer).

Phase 5 Coin Microprocessor Control Panel Assembly



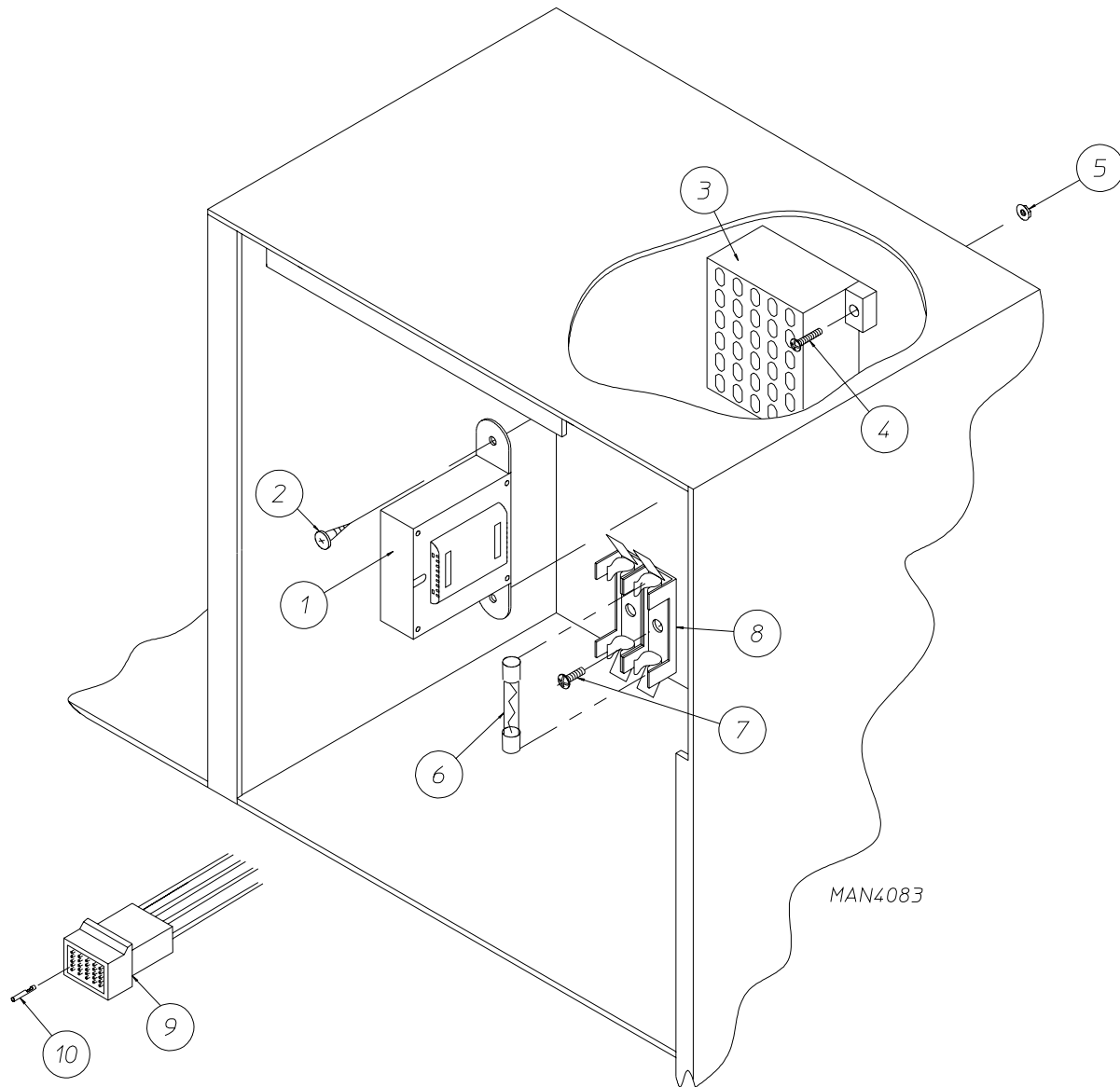
MAN1283

| <u>Illus. No.</u> | <u>Part No.</u> | <u>Qty.</u> | <u>Description</u> |
|-------------------|-----------------|-------------|---|
| 1 | 112526 | 1 | Coin Keyboard Label Assembly |
| 2 | 801213 | 1 | Phase 5 Coin Control Panel Assembly (includes illus. nos. 1, 2, 4, 5, and 6) |
| | 801229 | 1 | Phase 5 Coin Control Panel Assembly with Battery Option (includes illus. nos. 1, 2, 4, 5, and 6) |
| | 801259 | 1 | Coin Control Panel ONLY |
| | 801258 | 1 | Coin Control Panel ONLY with Battery Bracket |
| 3 | 150309 | 1 | #10-16 x 1/2" Hex Head TEK Crimptite Screw |
| 4 | 137213 | 1 | Phase 5 Coin Microprocessor Controller (computer) ONLY |
| | 824998 | 1 | Phase 5 Battery Clip |
| 5 | 153010 | 2 | #6 Star Washer |
| 6 | 150005 | 2 | #6-32 x 1/4" Phillips Round Head Machine Screw |
| 7 | ----- | 1 | Coin Acceptor (refer to Microprocessor Coin Acceptor Listing on page 38) |
| 8* | 137056 | 1 | Optic Switch ONLY |
| 9* | 137023 | 1 | Optic Switch Connector ONLY |
| 10 | 137021* | 3 | Microprocessor Socket ONLY |
| | 880772 | 1 | Single Coin Optical Switch Harness |
| | 824080 | 1 | Dual Coin Optical Switch Harness |
| | 122800 | 1 | Microprocessor (female) Pin Extraction Tool |
| 11 | 136048 | 1 | 1/8-Amp (Slo Blo) Fuse |

* For dual coin models double the quantity shown.

IMPORTANT: Check label on computer chip to verify correct part number of controller (computer).

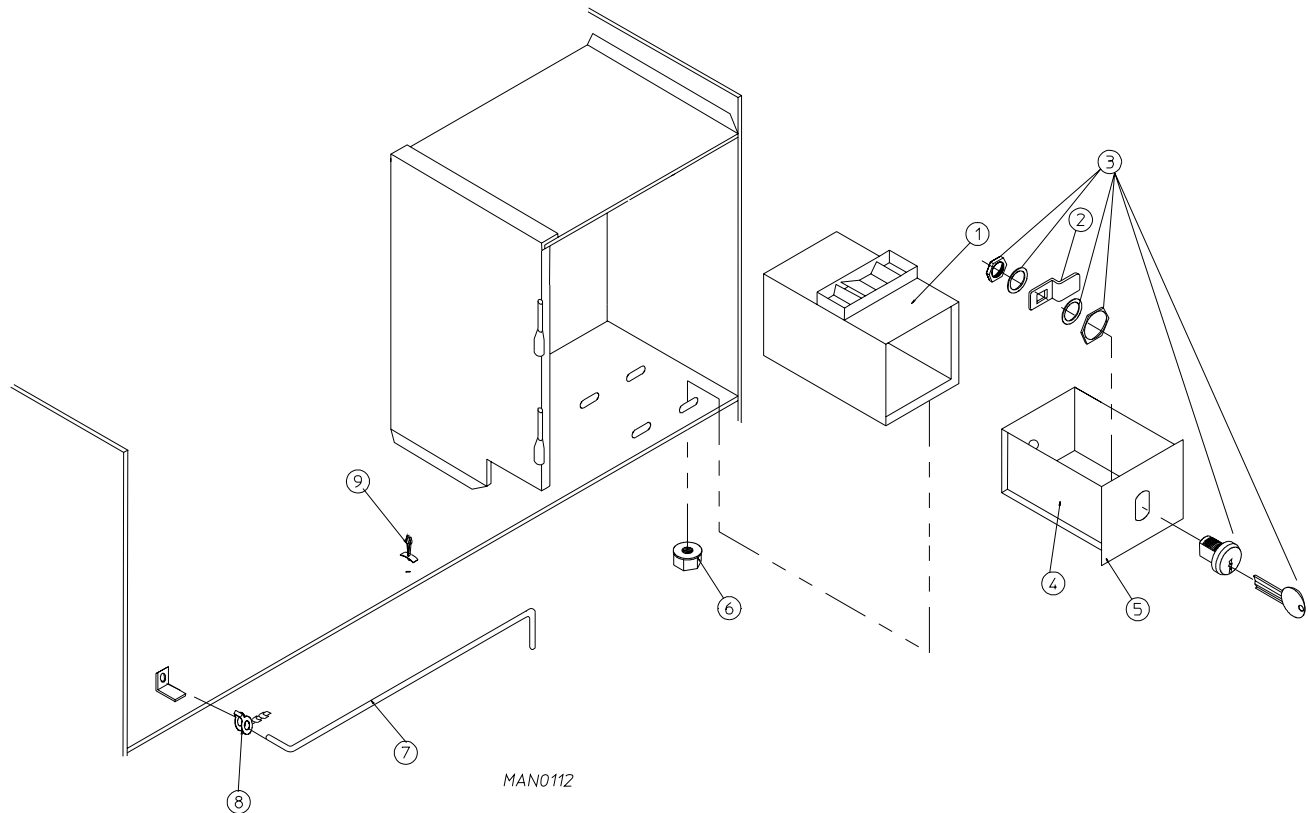
Phase 5 Coin and OPL Microprocessor Control Box Assembly



| <u>Illus. No.</u> | <u>Part No.</u> | <u>Qty.</u> | <u>Description</u> |
|-------------------|-----------------|-------------|--|
| 1 | 141403 | 1 | Transformer - 24 VAC |
| 2 | 150300 | 2 | #10 x 1/2" Hex Washer TEK Screw |
| 3 | 120715 | 1 | 30-Position Terminal Block |
| 4 | 150002 | 2 | #6-32 x 1" Phillips Round Head Machine Screw |
| 5 | 151000 | 2 | #6-32 Pal Nut |
| 6 | 136057 | * | 1/2-Amp (Slo Blo) Fuse |
| 7 | 150301 | * | #8-18 x 7/16" Phillips Pan Head TEK Screw |
| 8 | 136008 | * | Fuse Block/Strip ONLY |
| 9 | 122641 | 1 | 15-Pin Microprocessor Connector |
| 10 | 122706 | * | Socket ONLY |
| | 112801 | 1 | Pin/Socket Extraction Tool |

* As required.

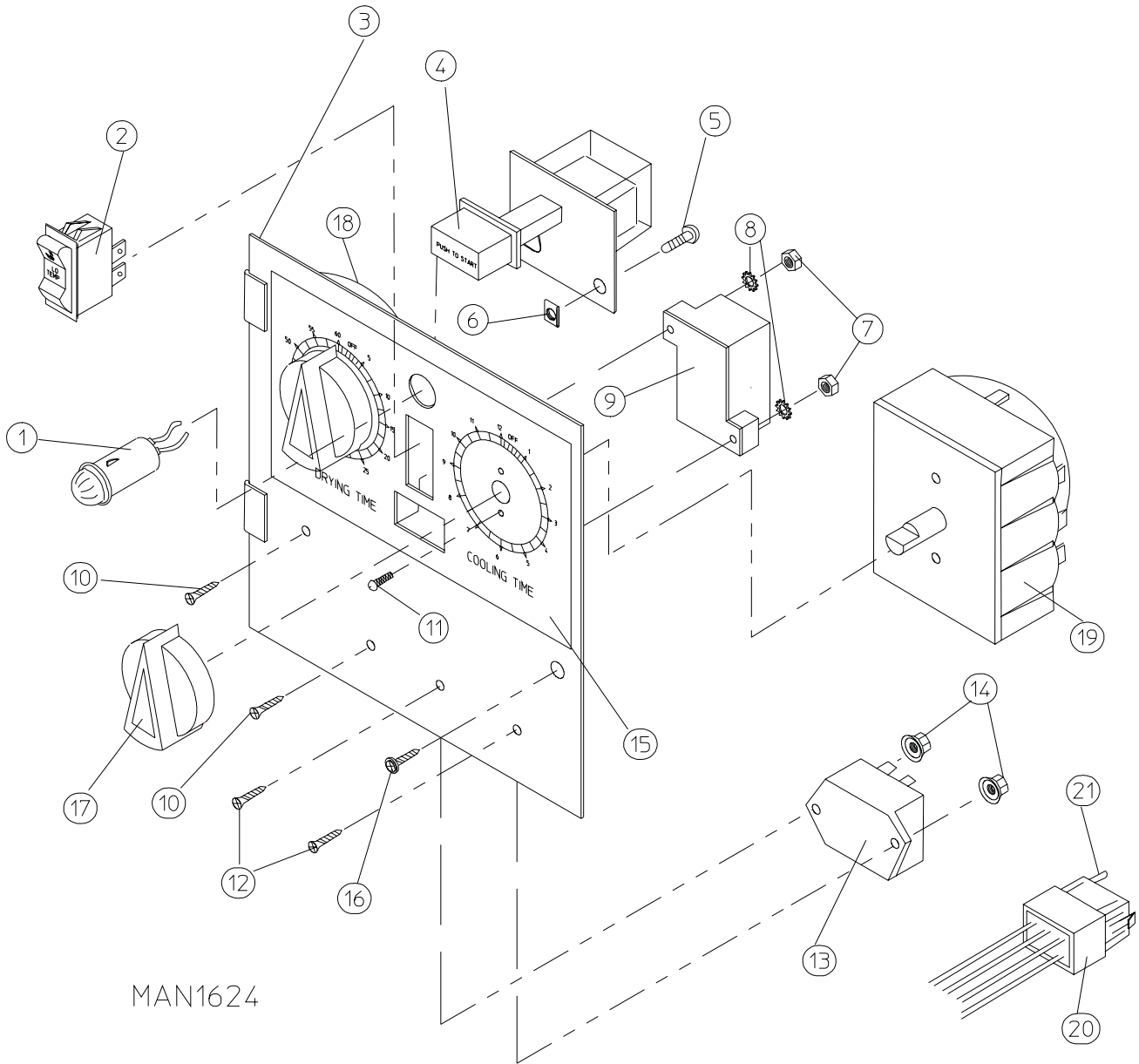
Coin Vault Assembly



| <u>Illus. No.</u> | <u>Part No.</u> | <u>Qty.</u> | <u>Description</u> |
|-------------------|-----------------|-------------|---|
| 1 | 802112 | 1 | Microprocessor Coin Vault Assembly Complete (includes illus. nos. 1 through 6) |
| | 802117 | 1 | Microprocessor Coin Vault ONLY |
| 2 | 160028 | 1 | Cam for 1/4 Turn Lock ONLY |
| 3 | 875061 | 1 | 1/4 Turn Lock with Key and Cam |
| | 160105* | 1 | 1/4 Turn Mer-Pel Key ONLY |
| 4 | 802020 | 1 | 1/4 Turn Coin Box Assembly (includes illus. nos. 2 through 5) |
| | 802019 | 1 | 1/4 Turn Coin Box ONLY <i>without</i> Face Plate |
| | 125915 | 1 | High Security (Greenwald) Coin Box ONLY with Key |
| 5 | 802018 | 1 | 1/4 Turn Coin Box Face Plate ONLY |
| 6 | 152014 | 4 | 1/4-20 Free Spin Wash Nut |
| 7 | 102502 | 1 | Control Door Support Rod |
| 8 | 102601 | 1 | Control Door Rod Retainer Clip |
| 9 | 102600 | 1 | Control Door Rod Catch |

* Specify key number when ordering.

Dual Timer Control Panel Assembly

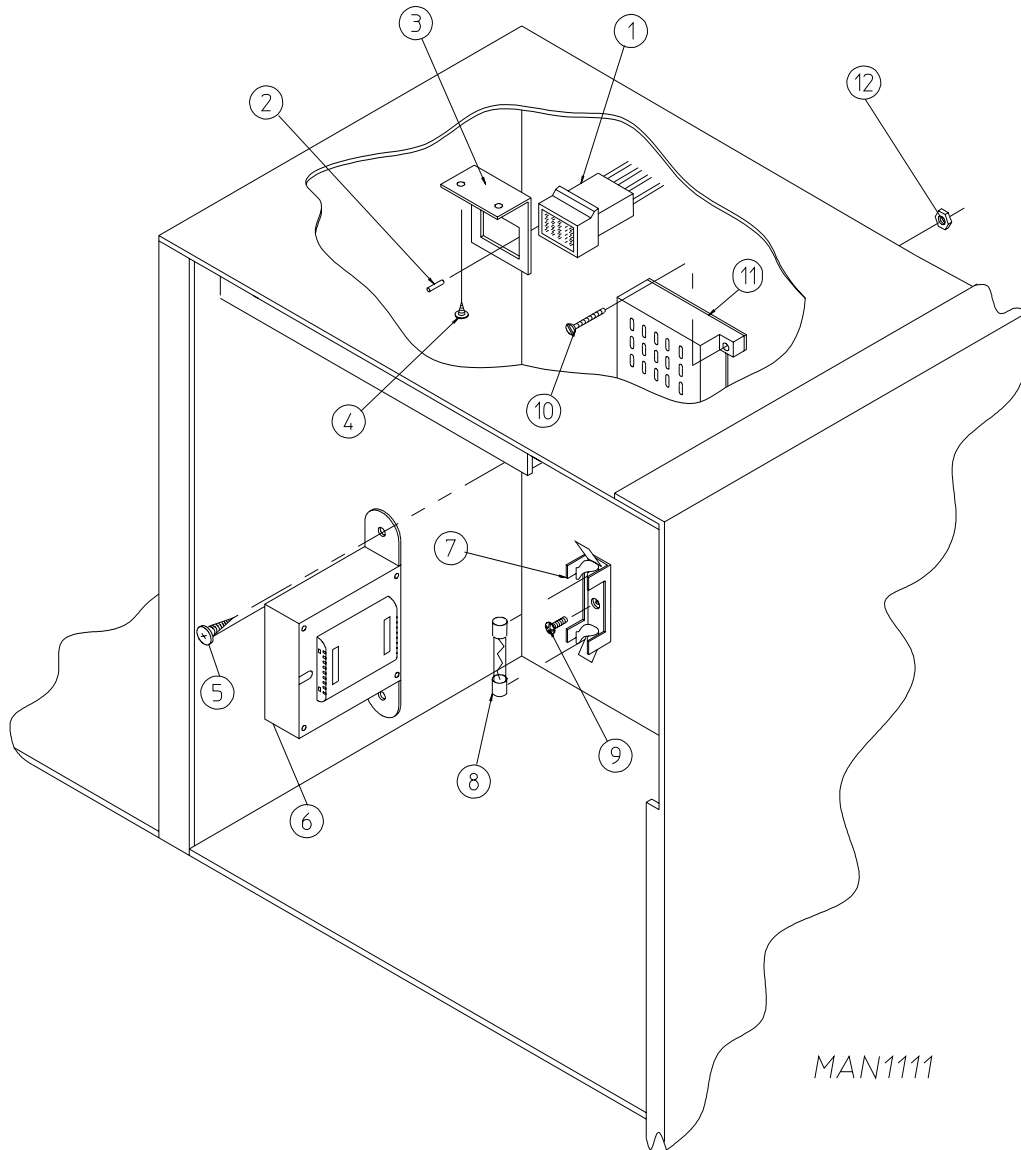


MAN1624

Dual Timer Control Panel Assembly

| <u>Illus. No.</u> | <u>Part No.</u> | <u>Qty.</u> | <u>Description</u> |
|-------------------|-----------------|-------------|--|
| 1 | 123005 | 1 | Red Indicator Light - 24 VAC |
| 2 | 122400 | 1 | Rocker Heat Selector Switch |
| 3 | 824015 | 1 | Dual Timer Control Panel Assembly Complete - 24 VAC (includes illus. nos. 1 through 21) |
| | 800051 | 1 | Dual Timer Control Panel ONLY |
| 4 | 131917 | 1 | Push-to-Start Relay - 24 VAC |
| 5 | 150207 | 2 | #10-24 x 1/2" Round Head Machine Screw |
| 6 | 154001 | 2 | #10-24 Speed Nut |
| 7 | 152000 | 2 | #6-32 Hex Nut |
| 8 | 153010 | 2 | #6 Star Washer |
| 9 | 120730 | 1 | 30-Position Terminal Block |
| 10 | 150002 | 2 | #6-32 x 1" Phillips Round Head Machine Screw |
| 11 | 150110 | 4 | #8-32 x 1/4" Phillips Round Head Machine Screw |
| 12 | 150001 | 2 | #6-32 x 1/2" Phillips Round Head Machine Screw |
| 13 | 131931 | 1 | Dual Timer Relay - 24 VAC |
| 14 | 151000 | 2 | #6-32 Pal Nut |
| 15 | 112050 | 1 | Dual Timer Label ONLY |
| 16 | 150309 | 1 | #10-16 x 1/2" Hex Head TEK Crimptite Screw |
| 17 | 124103 | 2 | Arrow Timer Knob |
| 18 | 124025 | 1 | 60-Minute Timer - 24 VAC |
| 19 | 124030 | 1 | 15-Minute Timer - 24 VAC |
| 20 | 122602 | 1 | 9-Pin Connector ONLY |
| 21 | 122700 | 8 | Pin Terminal ONLY |
| --- | 122801 | 1 | Pin/Socket Extraction Tool |

Dual Timer Control Box Assembly

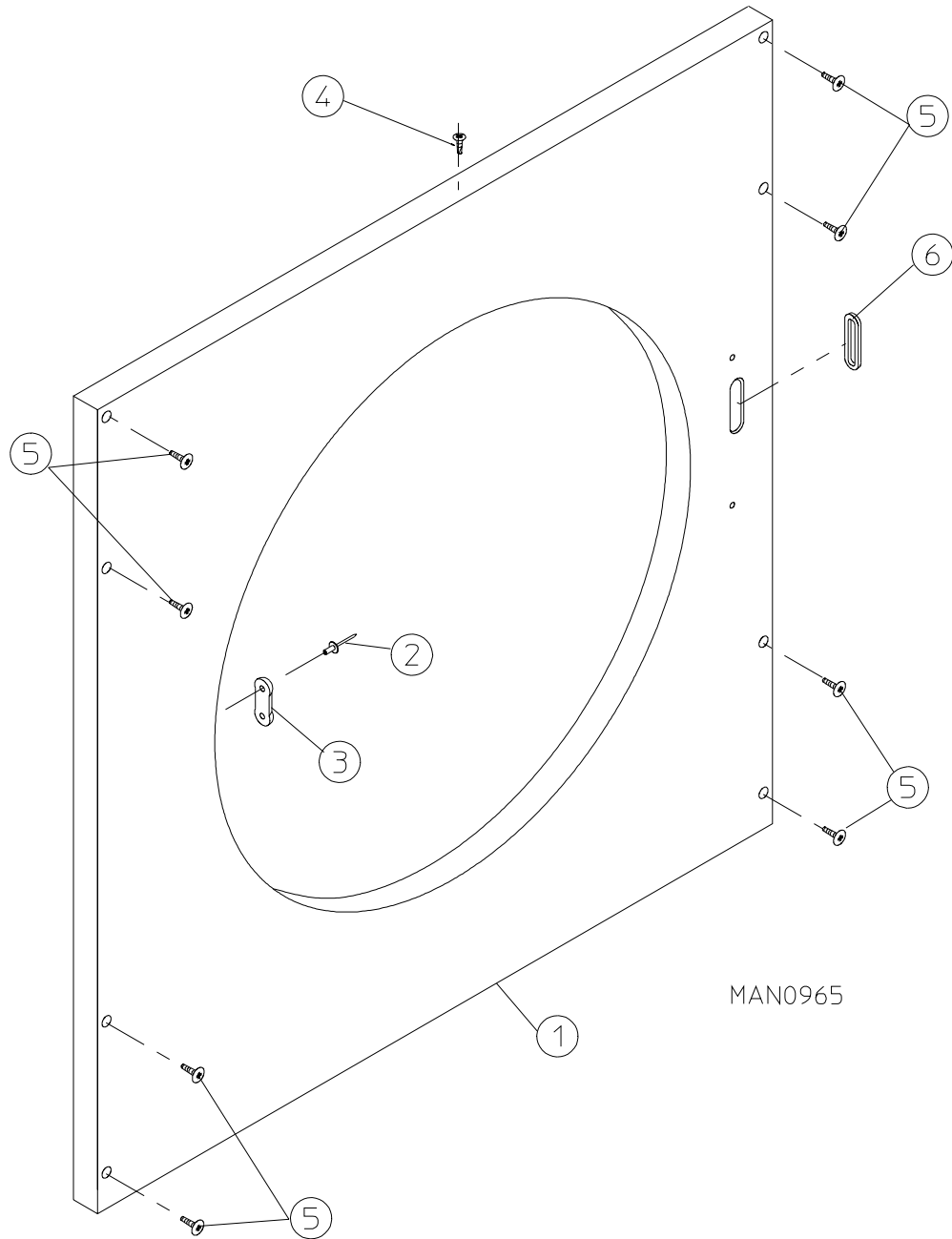


| <u>Illus. No.</u> | <u>Part No.</u> | <u>Qty.</u> | <u>Description</u> |
|-------------------|-----------------|-------------|--|
| 1 | 122603 | 1 | 9-Pin Socket Connector |
| 2 | 122701 | 8 | Socket Terminal ONLY |
| | 122801 | 1 | Pin/Socket Extraction Tool |
| 3 | 315010 | 1 | 9-Pin Connector Bracket |
| 4 | 150300 | 2 | #10 x 1/2" Hex Washer TEK Screw |
| 5 | 150300 | 2 | #10 x 1/2" Hex Washer TEK Screw |
| 6 | 141403 | 1 | Transformer - 24 VAC |
| 7 | 136008 | * | Fuse Block/Strip ONLY |
| 8** | 136057 | * | 1/2-Amp (Slo Blo) Fuse ONLY |
| 9 | 150301 | * | #8-18 x 7/16" Phillips Pan Head TEK Screw |
| 10 | 150002 | 2 | #6-32 x 1" Phillips Round Head Machine Screw |
| 11 | 120715 | 1 | 30-Position Terminal Block |
| 12 | 151000 | 2 | #6-32 Pal Nut |

* As required.

** Check fuse rating for verification.

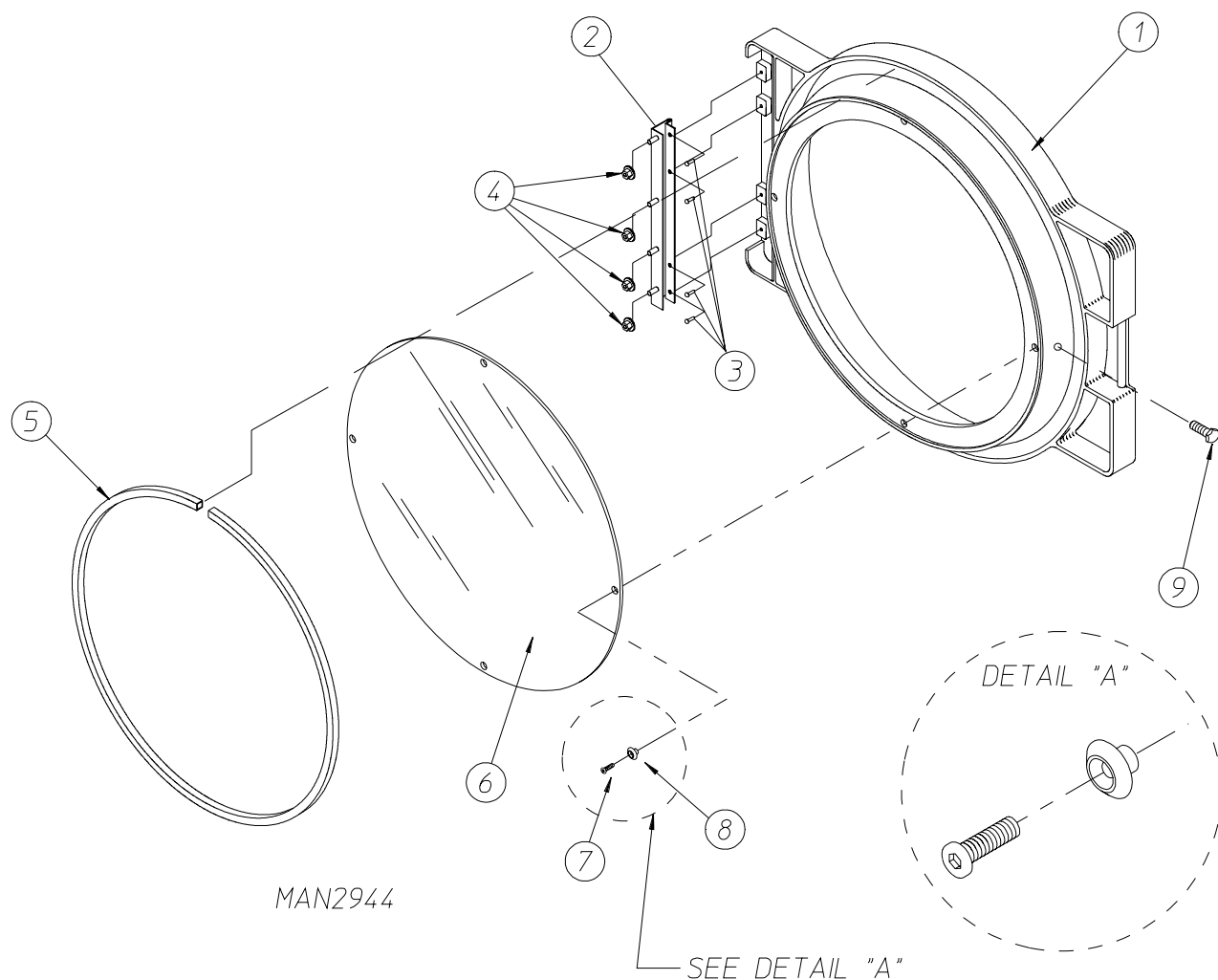
Front Panel Assembly



| Illus. No. | Part No. | Qty. | Description |
|------------|----------|------|---|
| 1 | 875302* | 1 | Right Hand Insulated Front Panel Assembly Complete (includes illus. nos. 1, 2, 3, and 6) |
| | 875313 | 1 | Stainless Steel Right Hand Insulated Front Panel Assembly Complete (includes illus. nos. 1, 2, 3, and 6) |
| 2 | 154215 | 2 | 5/32" Pop Rivet |
| 3 | 170330 | 1 | Friction Door Latch |
| 4 | 150300 | 1 | #10 x 1/2" Hex Washer TEK Screw |
| 5 | 150309 | 8 | #10-16 x 1/2" Hex Head TEK Crimpite Screw |
| 6 | 121405 | 1 | Rubber Grommet |

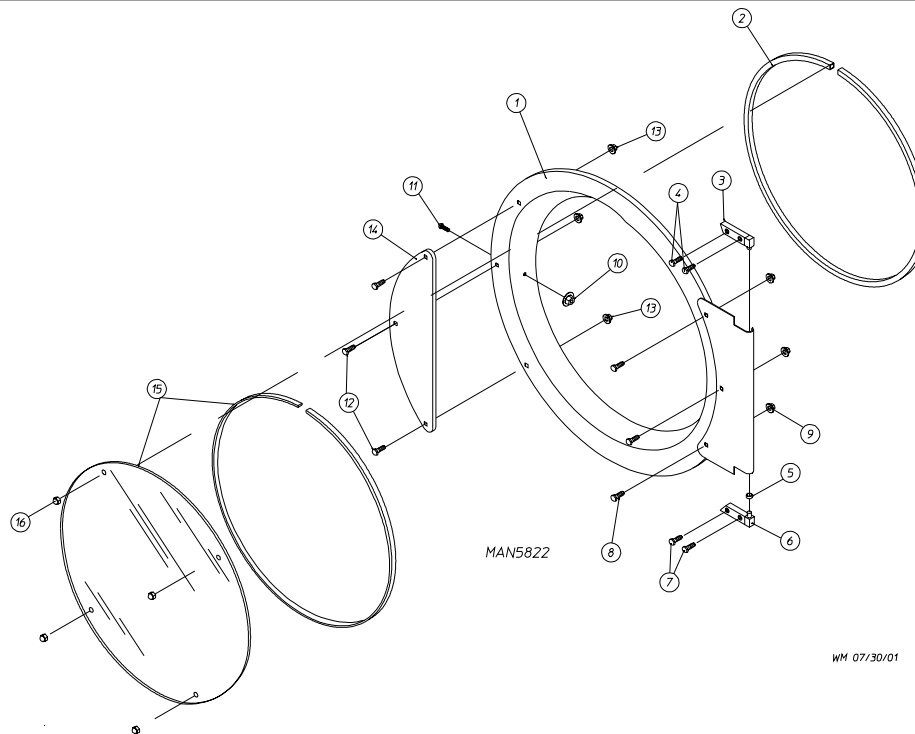
* Specify color when ordering.

Main Door Assembly



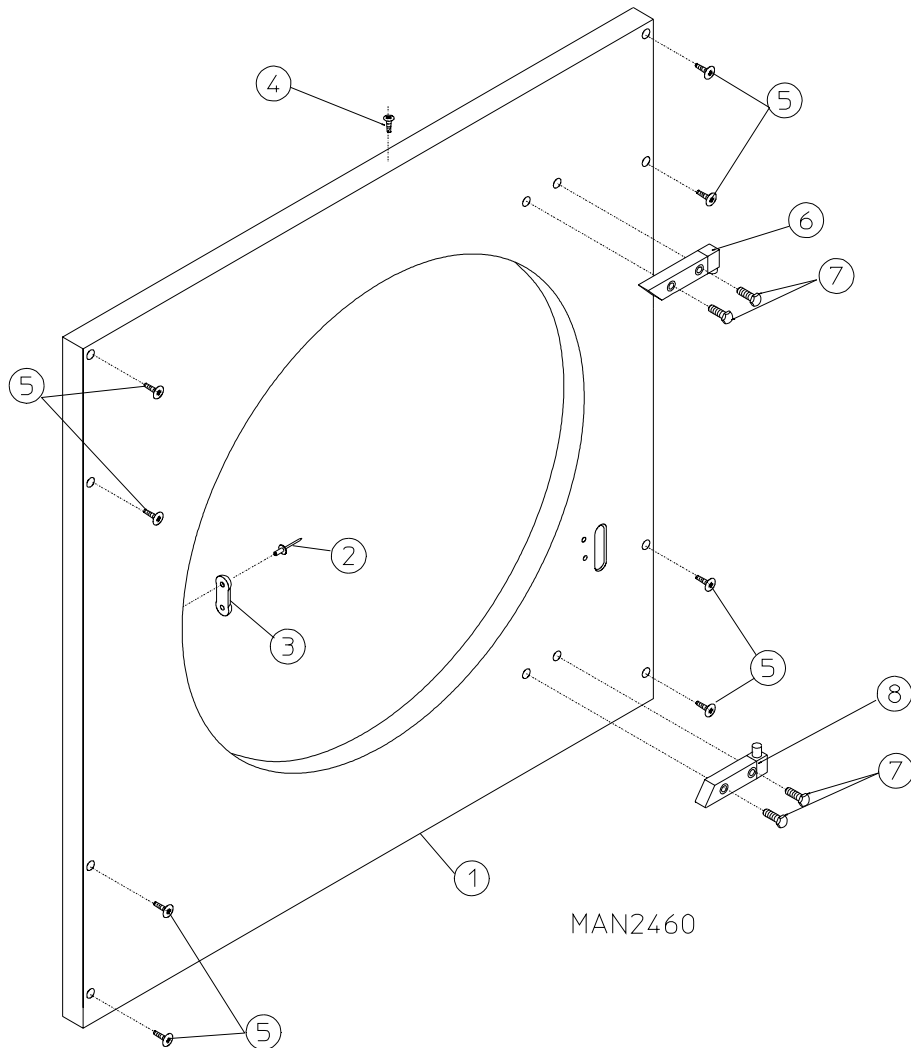
| <u>Illus. No.</u> | <u>Part No.</u> | <u>Qty.</u> | <u>Description</u> |
|-------------------|-----------------|-------------|---|
| 1 | 881421 | 1 | Gray Plastic Main Door Assembly Complete with Mechanical Fasteners (includes illus. nos. 1 and 5 through 9) |
| 2 | 800448 | 4 | 12-1/2" Stainless Steel Main Door Hinge Assembly |
| 3 | 150410 | 4 | #10-24 x 3/8" Phillips Pan Head Taptite Screw |
| 4 | 152014 | 1 | 1/4-20 Free Spin Wash Nut |
| 5 | 102349 | 1 | Main Door Gasket |
| 6 | 102212 | 1 | 20-7/16" Door Glass with (4) Holes |
| | 170730 | 1 | Main Door Glass Adhesive (10.3 oz. cartridge) |
| 7 | 150448 | 4 | 1/2" Stainless Steel Flat Head Allen Screw |
| 8 | 170319 | 4 | Door Glass (Nylon) Spacer |
| 9 | 150431 | 1 | Main Door Latch Screw (#10 x 7/16" Dome Hex Head) |

Main Door "Cold Rolled Steel (CRS)" Assembly



| <u>Illus. No.</u> | <u>Part No.</u> | <u>Qty.</u> | <u>Description</u> |
|-------------------|-----------------|-------------|--|
| 1 | 881150 | 1 | Black Main Door Assembly Complete (includes illus. nos. 1, 2, and 8 through 15) |
| 2 | 102354 | 1 | Door Gasket |
| | 170730 | 1 | Clear Glass Adhesive (10.3 oz. cartridge) |
| | 170731 | 1 | Black Glass Adhesive (10.3 oz. cartridge) |
| 3 | 881152 | 1 | Black Top Hinge Block Assembly (includes illus. nos. 3 and 4) |
| 4 | 150445 | 2 | 1/4-20 x 3/4" Black Cap Head Setscrew |
| 5 | 153031 | 1 | 1/4" Nylon Washer |
| 6 | 881151 | 1 | Black Bottom Hinge Block Assembly (includes illus. nos. 5 through 7) |
| 7 | 150445 | 2 | 1/4-20 x 3/4" Black Cap Head Setscrew |
| | 150443 | 2 | 1/4-20 x 3/4" Stainless Steel Cap Head Setscrew |
| 8 | 150683 | 3 | 1/4-20 x 5/8" Black Carriage Bolt |
| 9 | 152014 | 3 | 1/4-20 Free Spin Wash Nut |
| 10 | 151010 | 1 | #10-32 Black Hex Acorn Nut |
| 11 | 150120 | 1 | Door Latch Screw |
| 12 | 150683 | 3 | 1/4-20 x 5/8" Black Carriage Bolt |
| 13 | 152014 | 3 | 1/4-20 Free Spin Wash Nut |
| 14 | 881210 | 1 | Black Main Door Handle |
| 15 | 102218 | 1 | 20-7/16" Door Glass |
| | 102211 | 1 | 20-7/16" Door Glass (for models mfd. as of October 18, 2001) |
| | 102360 | 1 | Glass/Door Gasket Tape (for models mfd. as of February 9, 2001) |
| | 170731 | 1 | Black Glass Adhesive (10.3 oz. cartridge) (for models mfd. prior to February 9, 2001) |
| 16 | 151013 | 4 | #10-32 Black Nylon Acorn Nut |

Cold Rolled Steel (CRS) Door Front Panel

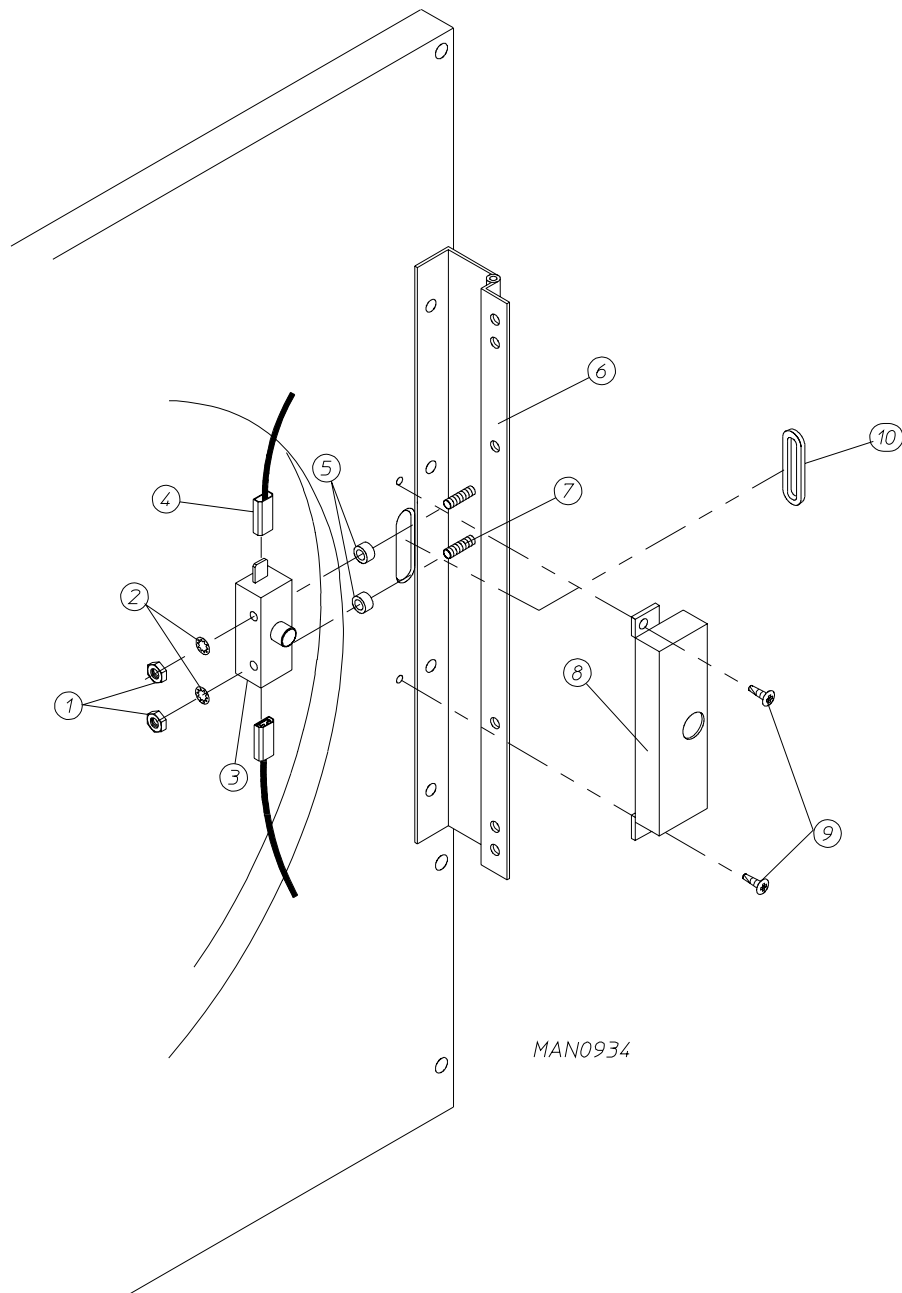


MAN2460

| <u>Illus. No.</u> | <u>Part No.</u> | <u>Qty.</u> | <u>Description</u> |
|-------------------|-----------------|-------------|---|
| 1 | 881270* | 1 | Right Hand Front Panel Assembly (cold rolled steel [CRS] door) (includes illus. nos. 1 through 3) |
| | 881288 | 1 | Stainless Steel Front Panel Assembly (cold rolled steel [CRS] door) (includes illus. nos. 1 through 3) |
| | 881996* | 1 | Left Hand Front Panel Assembly (cold rolled steel [CRS] door) (includes illus. nos. 1 through 3) |
| 2 | 154215 | 2 | 1/4" Pop Rivet |
| 3 | 170330 | 1 | Friction Door Latch |
| 4 | 150300 | 1 | #10-16 x 1/2" Hex Washer TEK Screw |
| 5 | 150309 | 8 | #10-16 x 1/2" Phillips Hex Head TEK Crimptite Screw |
| 6 | 881152 | 1 | Black Top Hinge Block Assembly |
| | 881208 | 1 | Stainless Steel Top Hinge Block Assembly |
| 7 | 150445 | 4 | 1/4-20 x 7/8" Black Cap Head Setscrew |
| | 150443 | 4 | 1/4-20 x 7/8" Stainless Steel Cap Head Setscrew |
| 8 | 881151 | 1 | Black Bottom Hinge Block Assembly |
| | 881209 | 1 | Stainless Steel Bottom Hinge Assembly |

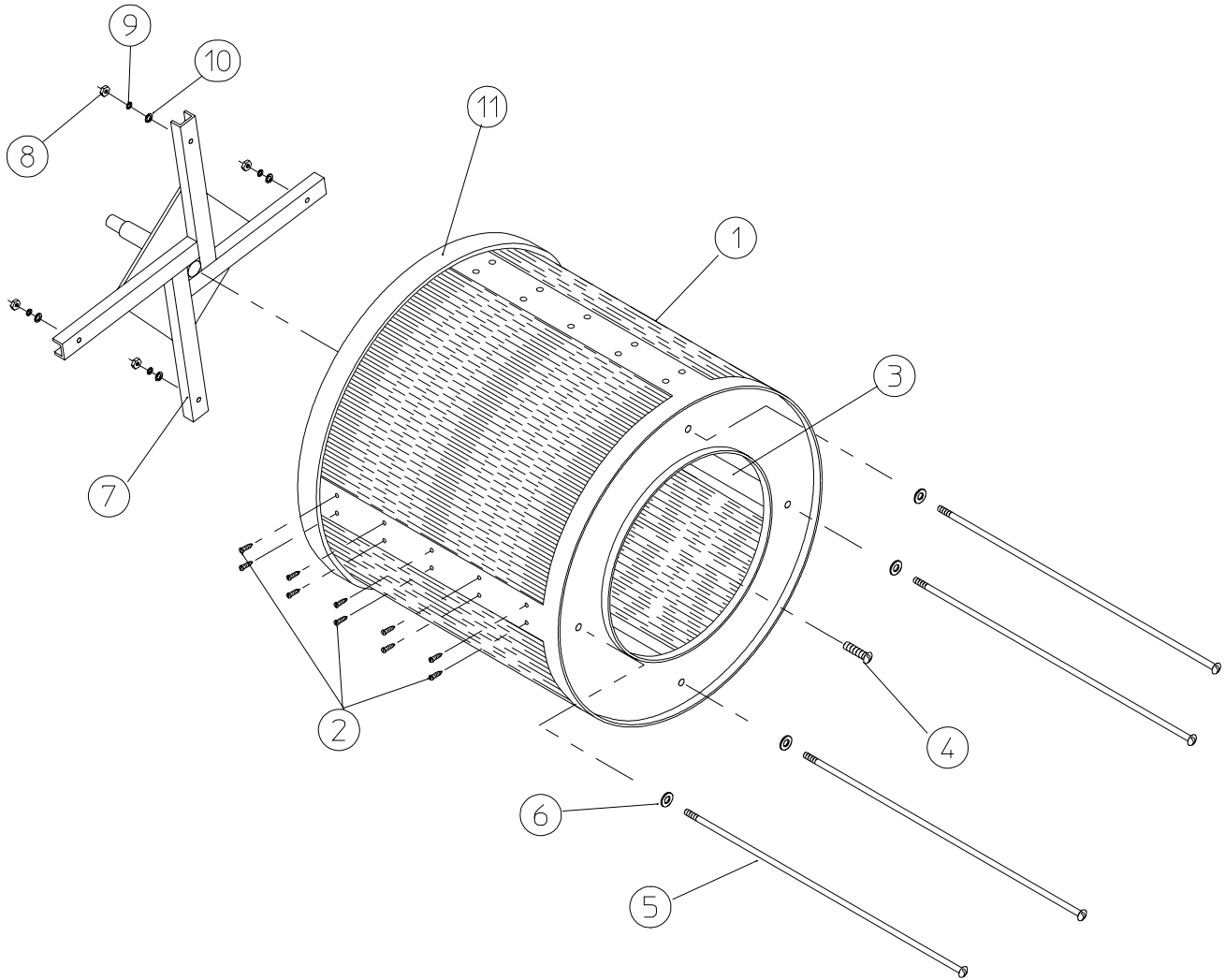
* Specify color when ordering.

Main Door Switch Housing



| <u>Illus. No.</u> | <u>Part No.</u> | <u>Qty.</u> | <u>Description</u> |
|-------------------|-----------------|-------------|--|
| 1 | 152013 | 2 | #6-32 Hex Nut |
| 2 | 153008 | 2 | #6 Lock Washer |
| 3 | 137005 | 1 | Single-Pole Door Switch |
| 4 | 121028 | 2 | Insulated Female Terminal |
| 5 | 154281 | 2 | 3/8" Standard Nylon Spacer |
| 6 | 800448 | 1 | 12-1/2" Stainless Steel Main Door Hinge Assembly (includes illus. nos. 6 and 7) |
| 7 | 153565 | 2 | #6-32 x 1" Self Clinching Stud |
| 8 | 313218 | 1 | Main Door Switch Housing |
| 9 | 150201 | 2 | #10-32 x 1/4" Phillips Pan Head Screw |
| 10 | 121405 | 1 | Rubber Grommet |

Basket (Tumbler)/Support Assemblies



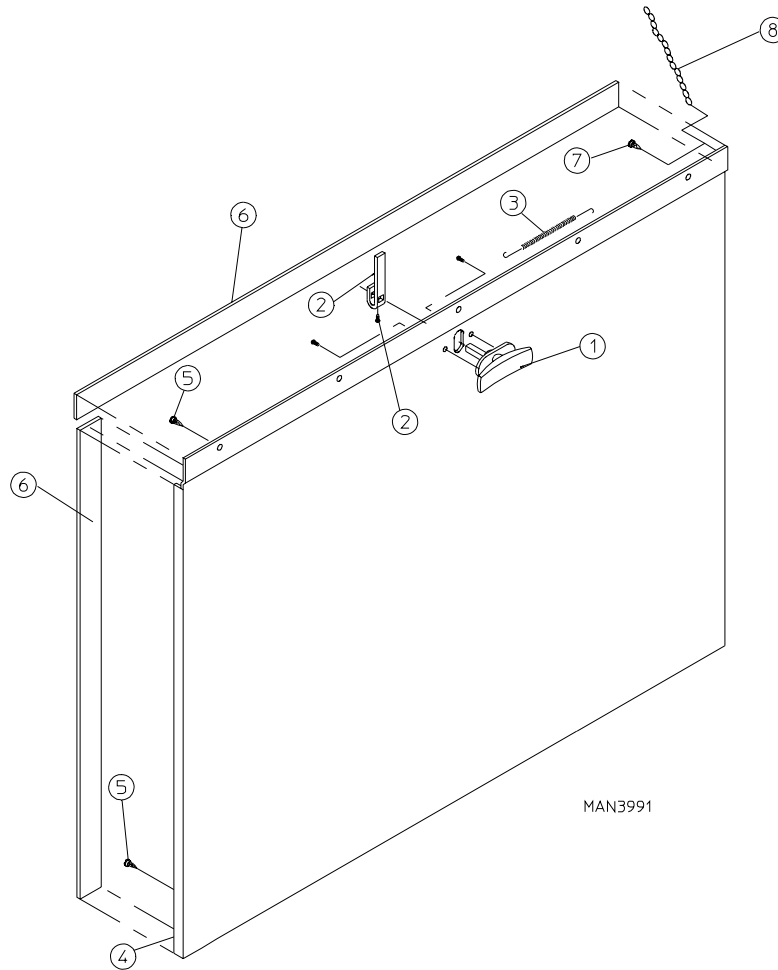
MAN0251

Basket (Tumbler)/Support Assemblies

| <u>Illus. No.</u> | <u>Part No.</u> | <u>Qty.</u> | <u>Description</u> |
|-------------------|-----------------|-------------|--|
| 1* | 800708 | 1 | Basket (Tumbler) ONLY <i>without</i> Felt Collar |
| | 800857 | 1 | Stainless Steel Basket (Tumbler) ONLY <i>without</i> Felt Collar |
| | 800816 | 1 | Non-Reversing Basket (Tumbler) and Support Assembly Complete (includes illus. nos. 1 through 10) |
| | 800873 | 1 | Stainless Steel Non-Reversing Basket (Tumbler) and Support Assembly Complete (includes illus. nos. 1 through 10) |
| | 800819 | 1 | Reversing Basket (Tumbler) and Support Assembly Complete (includes illus. nos. 1 through 10) |
| | 800876 | 1 | Stainless Steel Reversing Basket (Tumbler) and Support Assembly Complete (includes illus. nos. 1 through 10) |
| 2 | 150413 | 40 | #10-16 x 1/2" TORX Head Crimptite Screw |
| | 150429 | 1 | TORX Hand Driver (for removal of TORX Head Screw) |
| 3 | 301308 | 4 | Basket (Tumbler) Rib ONLY |
| | 301408 | 4 | Stainless Steel Basket (Tumbler) Rib ONLY |
| 4 | 150500 | 1 | 5/16-18 x 3/4" Socket Button Head Screw |
| 5 | 100905 | 4 | 3/8-16 x 37" Tie Rod |
| 6 | 153004 | 4 | 3/8" Flat Washer |
| 7 | 800613 | 1 | Non-Reversing Basket (Tumbler) Support ONLY |
| | 800615 | 1 | Reversing Basket (Tumbler) Support ONLY |
| 8 | 152005 | 4 | 3/8" Hex Nut |
| 9 | 153005 | 4 | 3/8" Lock Washer |
| 10 | 153004 | 4 | 3/8" Flat Washer |
| 11 | 116000 | 1 | Felt Collar ONLY |
| --- | 401010 | 1 | #847 Adhesive For Felt Collar |

* Felt collar *is not included* and **must be** ordered separately.

Drop Lint Door Assembly Without Trim

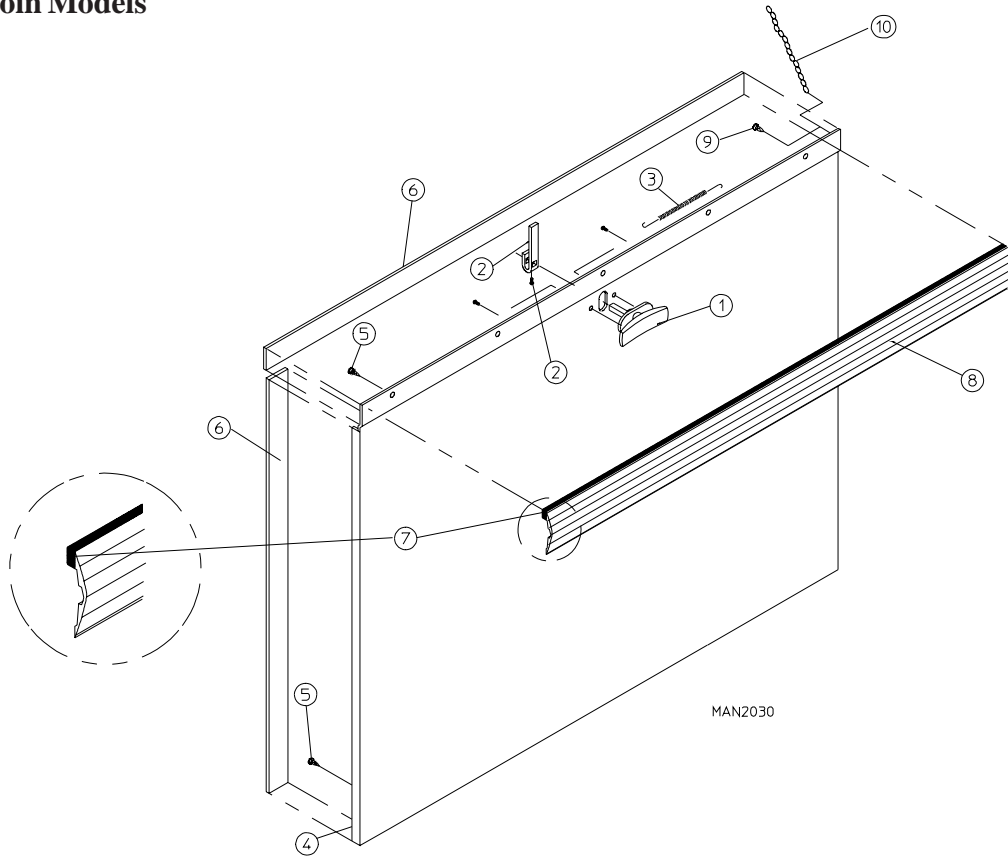


| <u>Illus. No.</u> | <u>Part No.</u> | <u>Qty.</u> | <u>Description</u> |
|-------------------|-----------------|-------------|---|
| 1 | 800150 | 1 | Knob Latch Kit Assembly (includes illus. nos. 1 and 2) |
| | 160200 | 1 | Knob Latch ONLY with 2 Screws (without cam) |
| | 160003 | 1 | Dummy Lock ONLY (for Non-Coin Models) |
| | 160104 | 1 | MK-100 Key ONLY (for Dummy Lock) |
| 2 | 160008 | 1 | Lock Cam for AD-100 and Dummy Lock |
| | 160009 | 1 | Knob Latch Adjustable Cam ONLY |
| | 150425 | 1 | #12-24 x 3/8" Round Head Machine Screw ONLY (screw for Knob Latch Adjustable Cam) |
| 3 | 157000 | 1 | Drop Lint Door Spring |
| 4 | 802104* | 1 | Insulated Drop Lint Door Assembly (includes illus. nos. 4 through 8) |
| | 882106 | 1 | Stainless Steel Insulated Drop Lint Drawer Assembly (includes illus. nos. 4 through 8) |
| 5 | 150201 | 6 | #10-32 x 1/4" Phillips Pan Head TEK Screw |
| 6 | 117604 | 7 | Neoprene Sponge Tape (sold by the foot) |
| 7 | 150419 | 2 | #6 x 1/2" Tamperproof TEK Screw |
| | 150418 | 1 | Tamperproof Screw Hand Driver |
| 8 | 108120 | 1 | Chain for Drop Lint Door (10-1/2" length) |

* Specify color when ordering.

Drop Lint Door Assembly With Trim

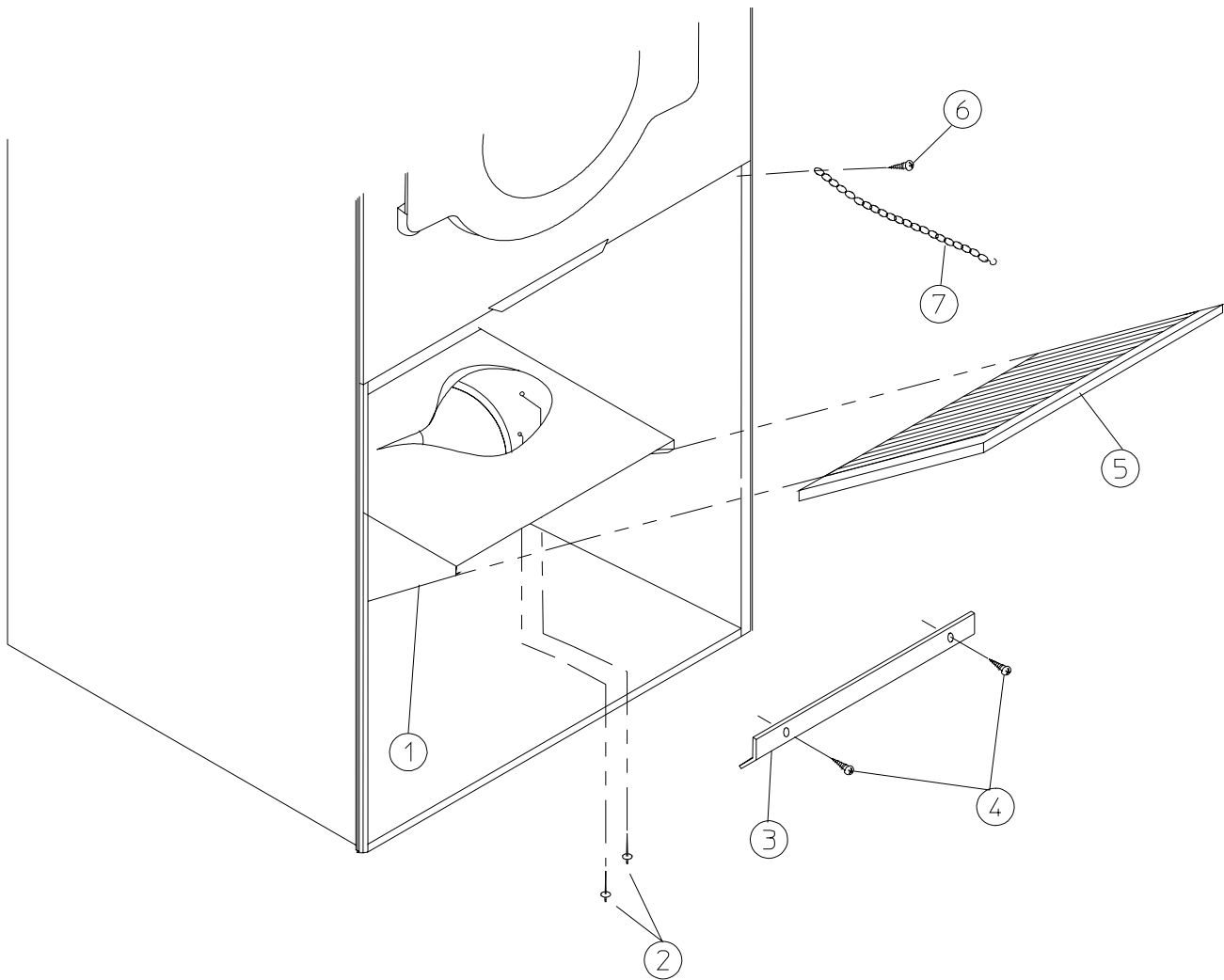
for **ALL** Coin Models



| Illus. No. | Part No. | Qty. | Description |
|------------|----------|------|---|
| 1 | 160001 | 1 | AD-100 Lock Assembly with Key (for Coin Models Only) |
| | 160103 | 1 | AD-100 Key ONLY |
| | 800150 | 1 | Knob Latch Kit Assembly (includes illus. nos. 1 and 2) |
| | 160200 | 1 | Knob Latch ONLY with 2 Screws (without cam) |
| | 160003 | 1 | Dummy Lock ONLY (for Non-Coin Models) |
| 2 | 160104 | 1 | MK-100 Key ONLY (for Dummy Lock) |
| | 160008 | 1 | Lock Cam for AD-100 and Dummy Lock |
| | 160009 | 1 | Knob Latch Adjustable Cam ONLY |
| 3 | 157000 | 1 | #12-24 x 3/8" Round Head Machine Screw ONLY (screw for Knob Latch Adjustable Cam) |
| 4 | 800237* | 1 | Insulated Drop Lint Door Assembly (includes illus. nos. 4 through 8) |
| | 880229 | 1 | Stainless Steel Insulated Drop Lint Drawer Assembly (includes illus. nos. 4 through 8) |
| 5 | 150201 | 6 | #10-32 x 1/4" Phillips Pan Head TEK Screw |
| 6 | 117604 | 7 | Neoprene Sponge Tape (sold by the foot) |
| 7 | 117603 | 3 | Noise Suppressor Tape (sold by the foot) |
| 8 | 180212 | 1 | Mid Trim/Kick Plate - Gray (8-1/4" length) |
| 9 | 150419 | 2 | #6 x 1/2" Tamperproof TEK Screw |
| | 150418 | 1 | Tamperproof Screw Hand Driver |
| 10 | 108120 | 1 | Chain for Drop Lint Door (10-1/2" length) |

* Specify color when ordering.

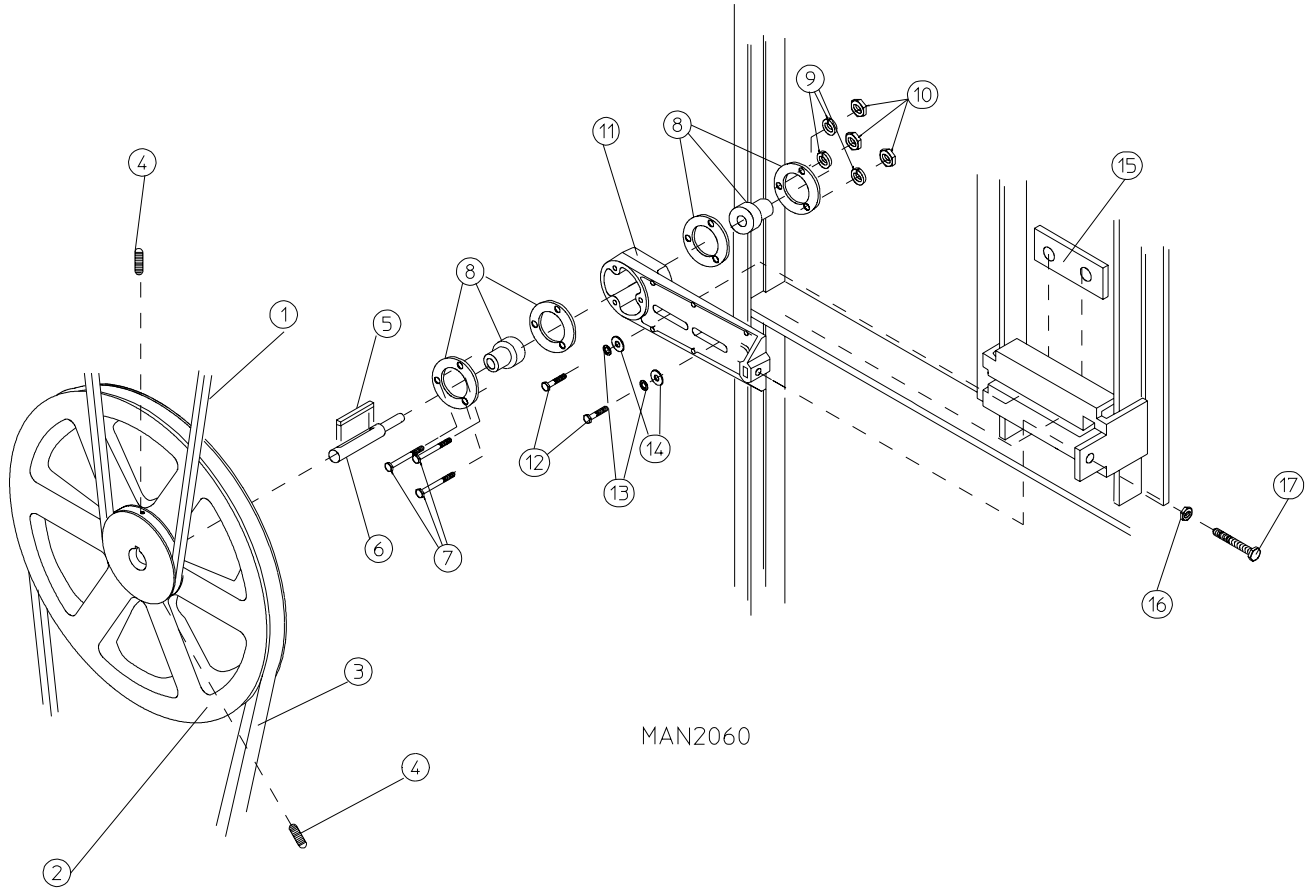
Lint Trap Assembly



MAN0107

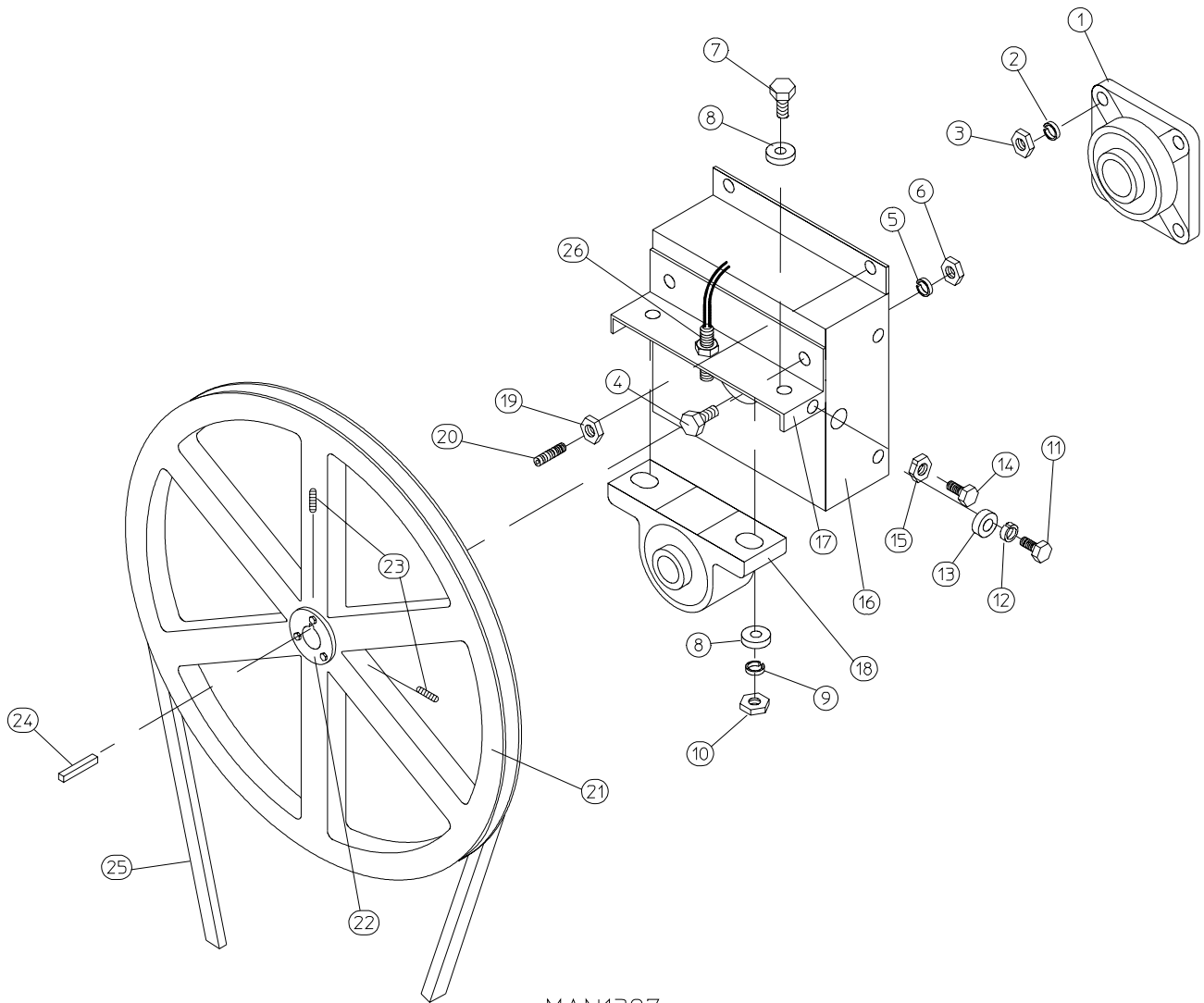
| <u>Illus. No.</u> | <u>Part No.</u> | <u>Qty.</u> | <u>Description</u> |
|-------------------|-----------------|-------------|--|
| 1 | 800472 | 1 | Non-Reversing Lint Trap Assembly Complete (includes illus. nos. 1, 3, 4, and 5) |
| | 850187 | 1 | Non-Reversing Lint Trap ONLY |
| | 800473 | 1 | Reversing Lint Trap Assembly Complete (includes illus. nos. 1, 3, 4, and 5) |
| | 850188 | 1 | Reversing Lint Trap ONLY |
| 2 | 154200 | 7 | 5/32" Pop Rivet |
| 3 | 304101 | 1 | Lint Screen Holder ONLY |
| 4 | 150300 | 2 | #10 x 1/2" Hex Washer TEK Screw |
| 5 | 800506 | 1 | Lint Screen ONLY |
| 6 | 150419 | 2 | #6 x 1/2" Tamperproof TEK Screw |
| 7 | 108120 | 1 | Chain for Drop Lint Door (10-1/2" length) |
| - | 150418 | 1 | Tamperproof Screw Hand Driver |

Idler Bearing Assembly



| <u>Illus. No.</u> | <u>Part No.</u> | <u>Qty.</u> | <u>Description</u> |
|-------------------|-----------------|-------------|--|
| 1 | 100106 | 1 | 5L-690 V-Belt (idler to basket [tumbler]) |
| 2 | 101140 | 1 | 14" x 3" Compound Pulley |
| 3 | 100117 | 1 | 4L-620 V-Belt (idler to motor) |
| | | | For Non-Reversing Models ONLY |
| | 100114 | 1 | 4L-630 V-Belt (idler to motor) |
| | | | For Reversing Models ONLY |
| 4 | 154301 | 2 | 5/16-18 x 1" Allen Set Screw |
| 5 | 100705 | 1 | 3/16" x 3/16" x 1-3/8" Key |
| 6 | 301850 | 1 | 5/8" x 3/4" Idler Shaft |
| 7 | 150529 | 3 | 1/4-20 x 2-1/4" Carriage Bolt |
| 8 | 880214 | 2 | 5/8" Flange Bearing |
| 9 | 153007 | 3 | 1/4" Lock Washer |
| 10 | 152002 | 3 | 1/4-20 Hex Nut |
| 11 | 801007 | 1 | Idler Bearing Assembly Complete (includes illus. nos. 5 through 17) |
| 12 | 150617 | 2 | 3/8-16 x 1" Hex Head Machine Bolt |
| 13 | 153005 | 2 | 3/8" Lock Washer |
| 14 | 153004 | 2 | 3/8" Flat Washer |
| 15 | 801009 | 1 | Idler Square Washer |
| 16 | 152004 | 1 | 5/16-18 Hex Nut |
| 17 | 150509 | 1 | 5/16-18 x 3" Hex Head Machine Bolt |

Tumbler Bearing Assembly



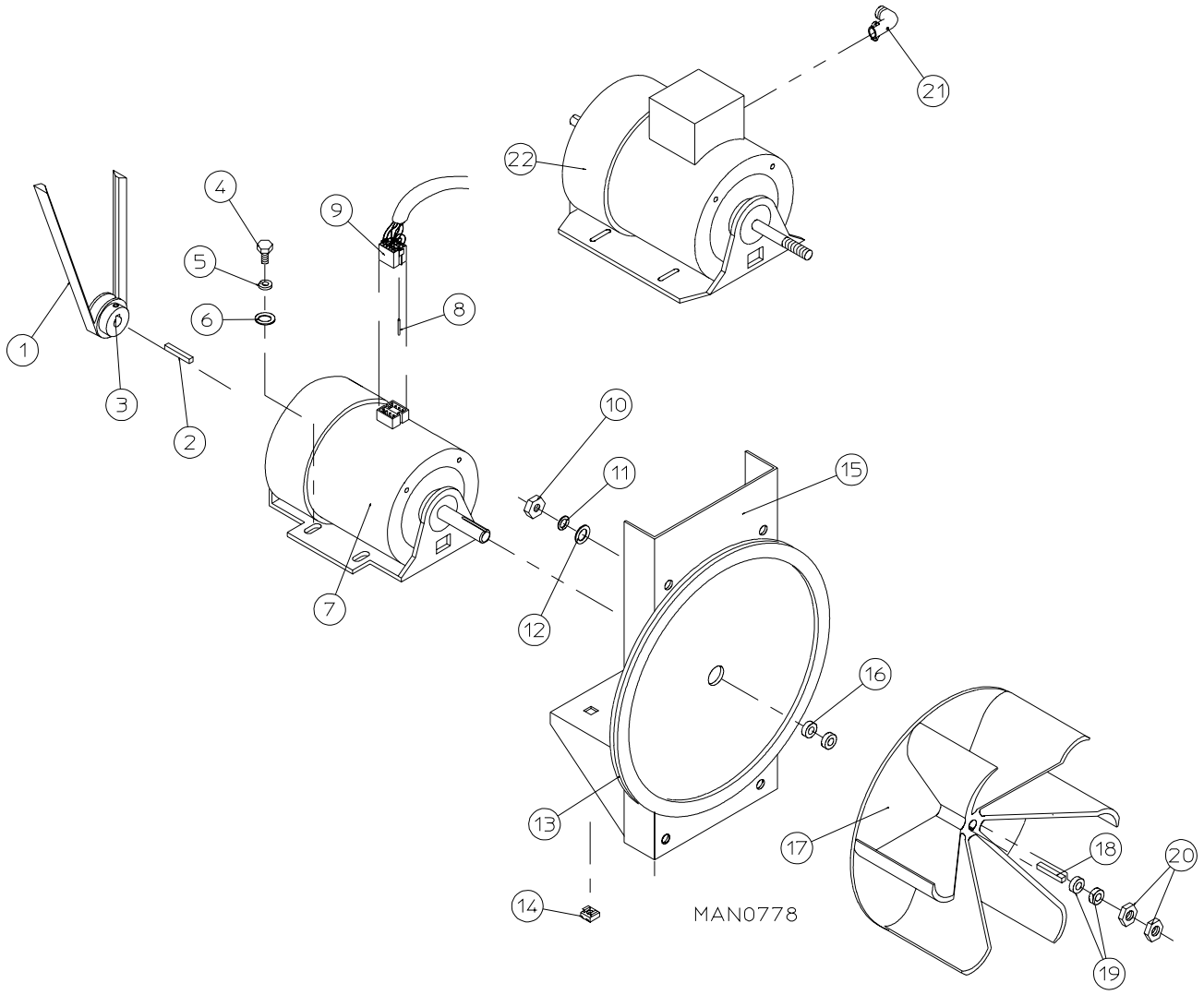
MAN1397

Tumbler Bearing Assembly

| <u>Illus. No.</u> | <u>Part No.</u> | <u>Qty.</u> | <u>Description</u> |
|-------------------|-----------------|-------------|--|
| 1 | 880220 | 1 | 1-3/4" Flange Bearing |
| 2 | 153025 | 4 | 9/16" Lock Washer |
| 3 | 152050 | 4 | 9/16-12 Hex Nut |
| 4 | 150508 | 2 | 3/8-16 x 3/4" Hex Head Machine Bolt |
| 5 | 153005 | 2 | 3/8" Lock Washer |
| 6 | 152005 | 2 | 3/8-16 Hex Nut |
| 7 | 150600 | 2 | 3/8-16 x 1-1/2" Hex Head Machine Bolt |
| 8 | 153004 | * | 3/8" Flat Washer |
| 9 | 153005 | 2 | 3/8" Lock Washer |
| 10 | 152005 | 2 | 3/8-16 Hex Nut |
| 11 | 150501 | 4 | 5/16-18 x 3/4" Hex Head Machine Bolt |
| 12 | 153002 | 4 | 5/16" Lock Washer |
| 13 | 153001 | 4 | 5/16" Flat Washer |
| 14 | 150621 | 2 | 5/16-18 x 1-1/2" Hex Head Machine Bolt |
| 15 | 152004 | 2 | 5/16-18 Hex Nut |
| 16 | 801101 | 1 | 1-3/8" Bearing Box Assembly Complete (includes illus. nos. 4 through 20) For models mfd. without Rotational Sensor |
| | 801103 | 1 | 1-3/8" Bearing Box and Support ONLY (includes illus. nos. 4, 5, 6, 16, and 17) |
| | 801105 | 1 | 1-3/8" Bearing Box ONLY |
| 17 | 801104 | 1 | Pillow Block Bearing Support ONLY |
| 18 | 880202 | 1 | 1-3/8" Pillow Block Bearing ONLY |
| | 880779 | 1 | 1-3/8" Pillow Block Bearing Assembly with Magnet (for models mfd. with Optional Rotational Sensor) |
| 19 | 152004 | 2 | 5/16-18 Hex Nut |
| 20 | 150610 | 2 | 5/16-18 x 1-1/2" Allen Set Screw |
| 21 | 101100 | 1 | 18" Pulley (for Non-Reversing Models Only) |
| | 101118 | 1 | 18-3/4" Pulley (for Reversing Models Only) |
| 22 | 101119 | 1 | 1-3/8" Taper Lock Hub (<i>key is not included</i>) For Reversing Models ONLY |
| 23 | 154301 | 2 | 5/16-18 x 5/16" Allen Set Screw (for Non-Reversing Models Only) |
| 24 | 100713 | 1 | Shaft Key (for Non-Reversing Models Only) |
| | 100735 | 1 | Shaft Key (for taper lock hub) For Reversing Models ONLY |
| 25 | 100106 | 1 | 5L-690 V-Belt (basket [tumbler] to idler) |
| 26 | 824807 | 1 | Rotational Sensor Assembly (for models mfd. with Optional Rotational Sensor) |

* As required.

Non-Reversing Totally Enclosed, Fan-Cooled (T.E.F.C.) Motor Mount Assembly



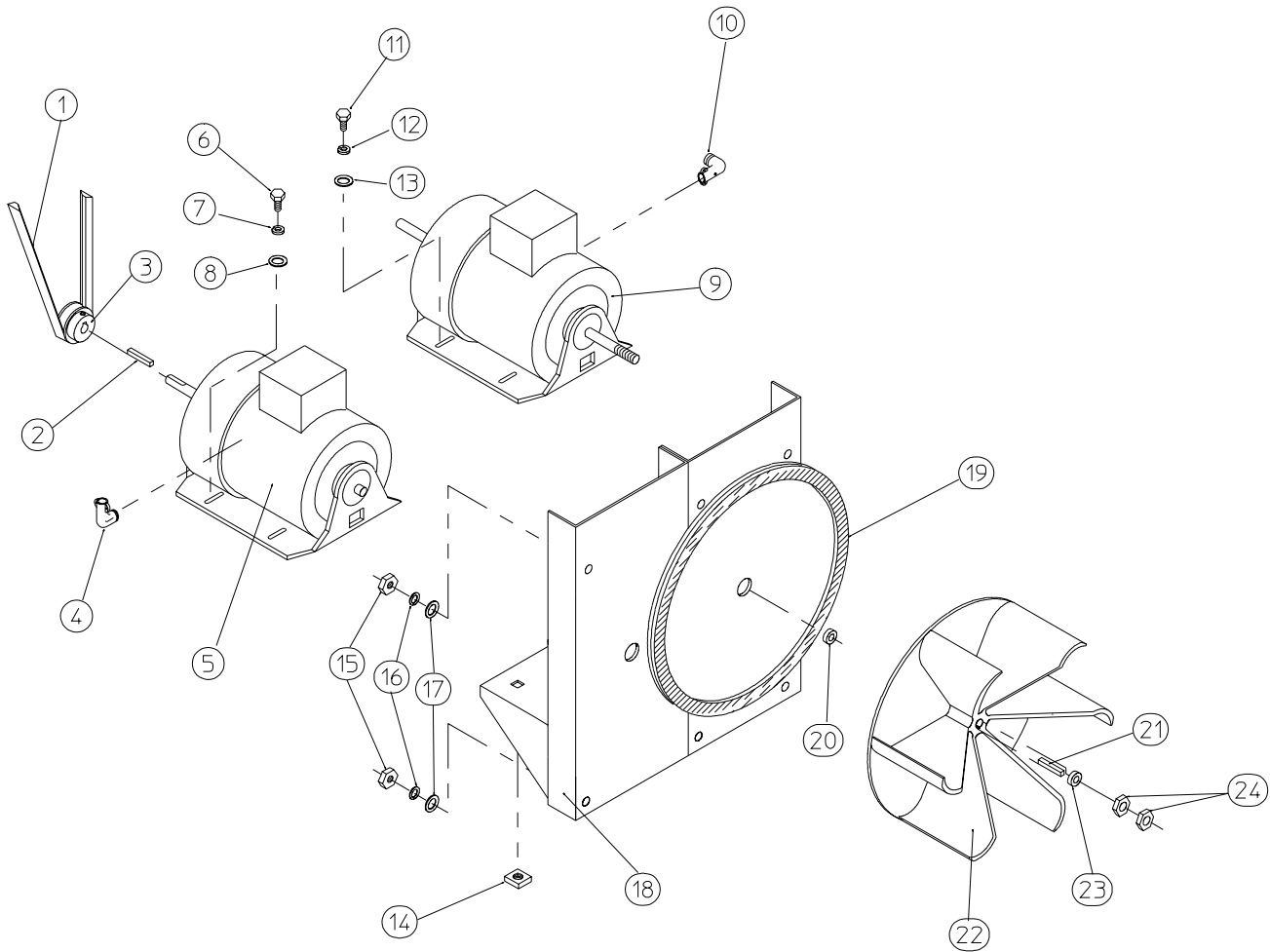
Non-Reversing Totally Enclosed, Fan-Cooled (T.E.F.C.) Motor Mount Assembly

| <u>Illus. No.</u> | <u>Part No.</u> | <u>Qty.</u> | <u>Description</u> |
|-------------------|-----------------|-------------|---|
| 1 | 100117 | 1 | 4L-620 V-Belt (motor to idler) |
| 2 | 100701 | 1 | 3/16" x 3/16" x 1" Key |
| 3 | 101133 | 1 | 5/8" x 2-1/4" Motor Pulley (60 Hz Only) |
| | 101130 | 1 | 5/8" x 2-1/2" Motor Pulley (50 Hz Only) |
| 4 | 150501 | 4 | 5/16-18 x 3/4" Hex Head Machine Bolt |
| 5 | 153002 | 4 | 5/16" Lock Washer |
| 6 | 153001 | 4 | 5/16" Flat Washer |
| 7* | 100069 | 1 | 3/4 HP 120/208/230v 1ø 60 Hz T.E.F.C. Motor with Plug (56Z frame) |
| 8 | 122701 | 8 | Socket Terminal |
| | 122801 | 1 | Pin/Socket Extraction Tool |
| 9 | 137030 | 1 | 8-Pin Housing Connector |
| 10 | 152004 | 4 | 5/16-18 Hex Nut |
| 11 | 153002 | 4 | 5/16" Lock Washer |
| 12 | 153001 | 4 | 5/16" Flat Washer |
| 13 | 117604 | 4 | Neoprene Sponge Tape (sold by the foot) |
| 14 | 154000 | 4 | 5/16-18 Tinnerman Nut |
| 15 | 850018 | 1 | Non-Reversing Motor Mount ONLY (56Z frame) |
| | 804019* | 1 | 3/4 HP 120/230v 1ø 60 Hz T.E.F.C. Motor Mount Assembly with Plug Complete (includes illus. nos. 2 through 7 and 13 through 20) |
| | ----- | ** | 3/4 HP 230v 1ø 50 Hz Non-Reversing T.E.F.C. Motor Mount Assembly Complete (includes illus. nos. 2 through 6 and 13 through 22) |
| 16 | 153051 | 1 | 3/4" S.A.E. Flat Washer |
| 17 | 100604 | 1 | 12-1/2" Impellor |
| 18 | 100714 | 1 | 3/16" x 3/16" x 1-7/8" Key |
| 19 | 153050 | 2 | 1/2" S.A.E. Flat Washer |
| 20 | 152006 | 2 | 1/2-20 Left Hand Jam Nut |
| 21 | 120200 | 1 | 3/8" x 90° Connector |
| 22 | 100068 | 1 | 3/4 HP 230v 1ø T.E.F.C. Motor (50 Hz Only) |

* Specify voltage when ordering.

** Contact factory for information.

Reversing Totally Enclosed, Fan-Cooled (T.E.F.C.) Motor Mount Assembly



MAN0250

Reversing Totally Enclosed, Fan-Cooled (T.E.F.C.) Motor Mount Assembly

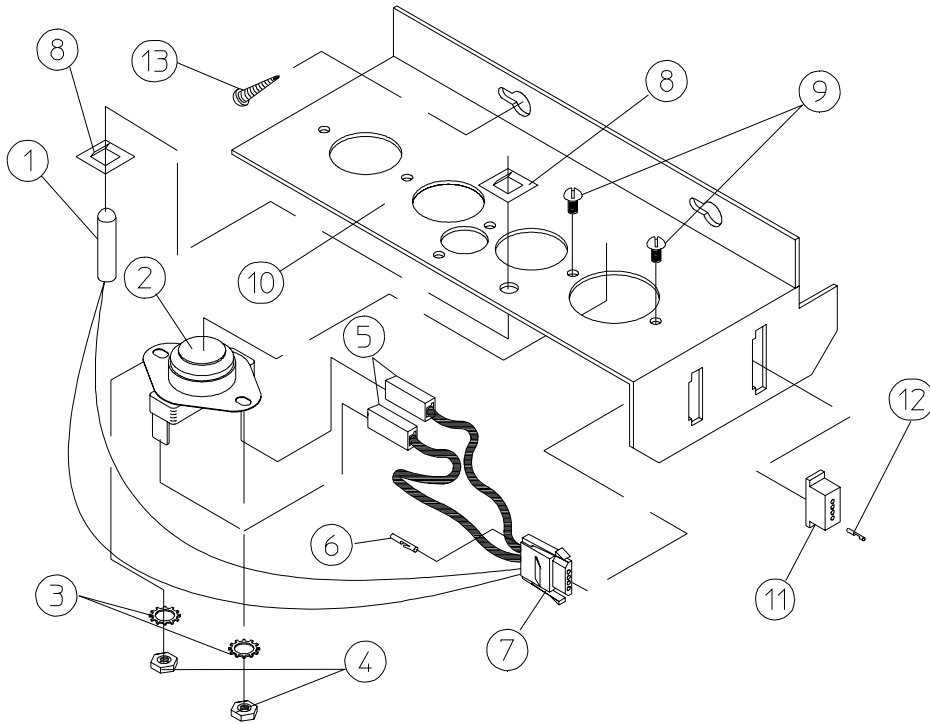
| <u>Illus. No.</u> | <u>Part No.</u> | <u>Qty.</u> | <u>Description</u> |
|-------------------|-----------------|-------------|---|
| 1 | 100114 | 1 | 4L-630 V-Belt (to idler assembly) |
| 2 | 100701 | 1 | 3/16" x 3/16" x 1" Key |
| 3 | 101130 | 1 | 5/8" x 2-1/2" Motor Pulley (60 Hz Only) |
| | 101139 | 1 | 5/8" x 2-3/4" Motor Pulley (50 Hz Only) |
| 4 | 120200 | 1 | 3/8" x 90° Connector |
| 5 | 181003 | 1 | 1/2 HP 208/230/380/460v 3ø 50/60 Hz T.E.F.C. Motor (56Z frame) |
| 6 | 150501 | 4 | 5/16-18 x 3/4" Hex Head Machine Bolt |
| 7 | 153002 | 4 | 5/16" Lock Washer |
| 8 | 153001 | 4 | 5/16" Flat Washer |
| 9* | 100007 | 1 | 1/2 HP 220/230/380/460v 3ø 50/60 Hz T.E.F.C. Motor (56Z frame) |
| 10 | 120200 | 1 | 3/8" x 90° Connector |
| 11 | 150501 | 4 | 5/16-18 x 3/4" Hex Head Machine Bolt |
| 12 | 153002 | 4 | 5/16" Lock Washer |
| 13 | 153001 | 4 | 5/16" Flat Washer |
| 14 | 154000 | 8 | 5/16" Tinnerman Nut |
| 15 | 152004 | 7 | 5/16" Hex Nut |
| 16 | 153002 | 7 | 5/16" Lock Washer |
| 17 | 153001 | 7 | 5/16" Flat Washer |
| 18 | 850021 | 1 | Reversing Motor Mount ONLY (56Z frame) |
| | 804026** | 1 | 60 Hz Reversing T.E.F.C. Motor Mount Assembly Complete (includes illus. nos. 2 through 14 and 18 through 24) |
| | ----- | *** | 50 Hz Reversing T.E.F.C. Motor Mount Assembly Complete (includes illus. nos. 2 through 14 and 18 through 24) |
| 19 | 117604 | 4 | Neoprene Sponge Tape (sold by the foot) |
| 20 | 153051 | 1 | 3/4" S.A.E. Flat Washer |
| 21 | 100714 | 1 | 3/16" x 3/16" x 1-7/8" Key |
| 22 | 100604 | 1 | 12-1/2" Impellor |
| 23 | 153050 | **** | 1/2" S.A.E. Flat Washer |
| 24 | 152006 | 2 | 1/2-20 Left Hand Jam Nut |

* Check part number on motor data label to verify correct motor.

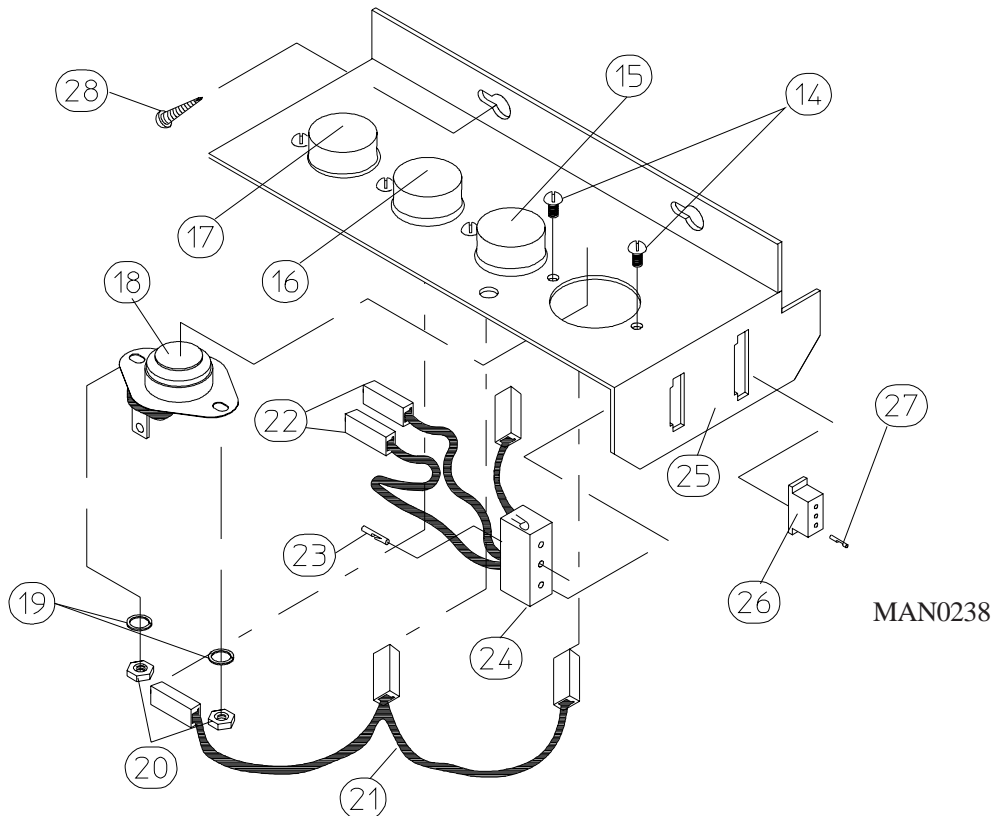
** Specify voltage when ordering.

*** Contact factory for information.

**** As required.



Microprocessor Sensor Bracket Assembly



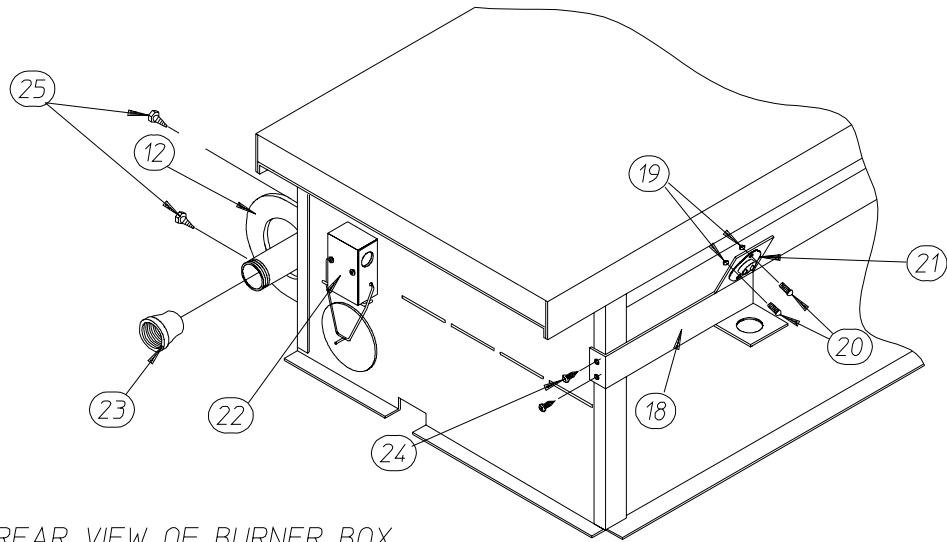
Non-Computer Sensor Bracket Assembly

Sensor Bracket Assemblies

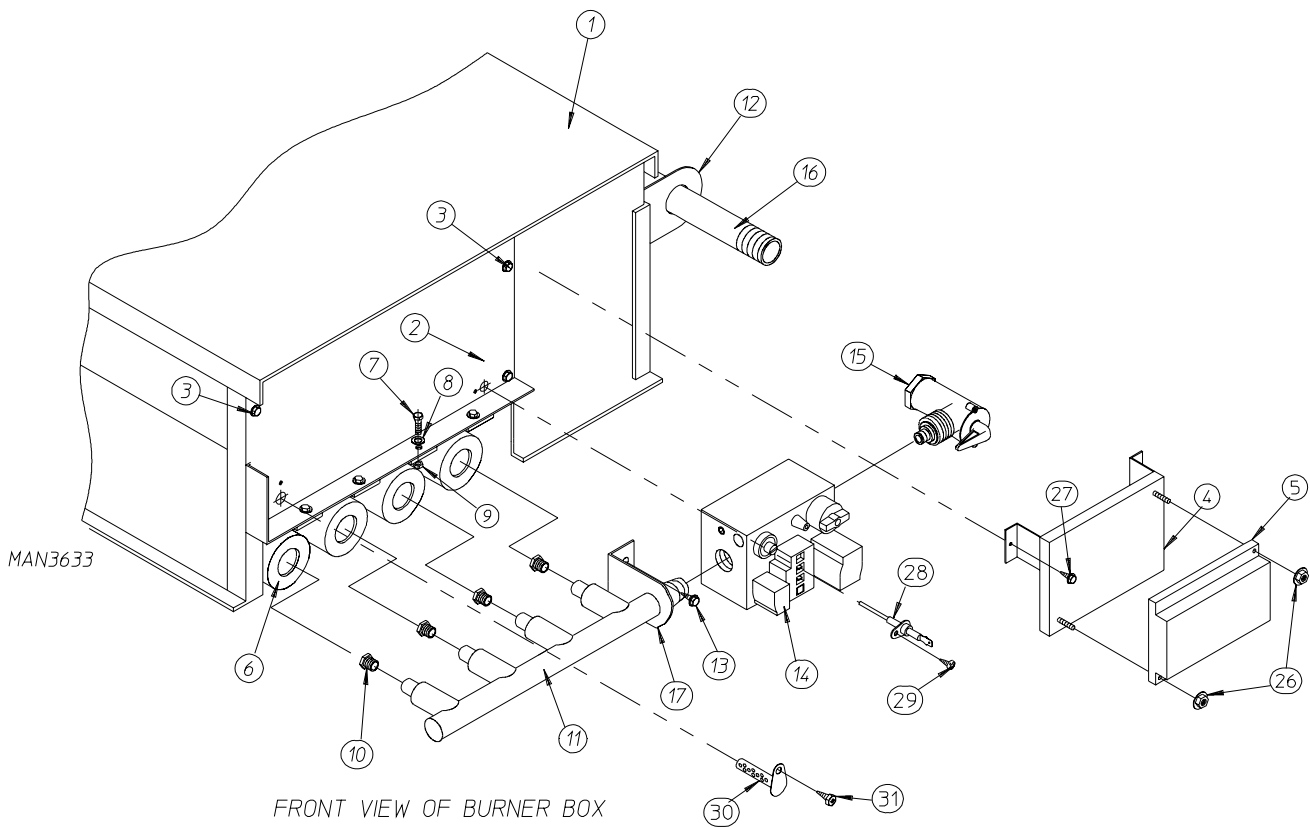
| <u>Illus. No.</u> | <u>Part No.</u> | <u>Qty.</u> | <u>Description</u> |
|-------------------|-----------------|-------------|--|
| 1 | 880251 | 1 | 1/4" Temperature Sensor Probe Assembly (includes illus. nos. 1 and 5 through 8) |
| 2 | 130103 | 1 | 225° Large Automatic Reset Thermostat |
| 3 | 153010 | 2 | #6 Star Washer |
| 4 | 152000 | 2 | #6-32 Hex Nut |
| 5 | 121028 | 2 | Insulated Terminal ONLY |
| 6 | 122701 | 4 | Socket Terminal ONLY |
| | 112801 | 1 | Pin/Socket Extraction Tool |
| 7 | 122605 | 1 | 4-Pin Socket Connector ONLY |
| 8 | 154007 | 2 | 1/4" Tinnerman Push-on Fastener |
| 9 | 150005 | 2 | #6-32 x 1/4" Round Head Machine Screw |
| 10 | 801425 | 1 | Microprocessor Sensor Bracket Assembly Complete (includes illus. nos. 1 through 10) |
| | 305007 | 1 | Universal Sensor Bracket ONLY |
| 11 | 122604 | 1 | 4-Pin Connector ONLY |
| 12 | 122700 | 4 | Pin Terminal ONLY |
| 13 | 150301 | 2 | #8-18 x 7/16" Phillips Pan Head TEK Screw |
| 14 | 150005 | * | #6-32 x 1/4" Phillips Round Head Machine Screw |
| 15 | 130111 | 1 | 130° Large Thermostat) |
| 16 | 130100 | 1 | 150° Large Thermostat |
| 17 | 130103 | 1 | 225° Large Automatic Reset Thermostat |
| 18 | 130101 | 1 | 180° Large Thermostat |
| 19 | 153010 | * | #6 Star Washer |
| 20 | 152000 | * | #6-32 Hex Nut |
| 21 | 840065 | 1 | Sensor Jumper (4) ONLY |
| 22 | 121028 | * | Insulated Terminal ONLY |
| 23 | 122701 | * | Socket Terminal ONLY |
| 24 | 122605 | 1 | 4-Pin Socket Connector ONLY |
| | 840062 | 1 | Sensor (4) Bracket Harness Assembly (includes illus. nos. 22, 23, and 24) |
| 25 | 801418 | 1 | Non-computer Sensor (4) Bracket Assembly Complete (includes Thermostats) (includes illus. nos. 14 through 25) |
| | 305007 | 1 | Universal Sensor Bracket ONLY |
| 26 | 122604 | | 4-Pin Connector ONLY |
| 27 | 122700 | * | Pin Terminal ONLY |
| | 122801 | 1 | Pin/Socket Extraction Tool |
| 28 | 150301 | 2 | #8-18 x 7/16" Phillips Pan Head TEK Screw |

* As required.

Hot Surface Ignition (HSI) Burner Assembly



REAR VIEW OF BURNER BOX



FRONT VIEW OF BURNER BOX

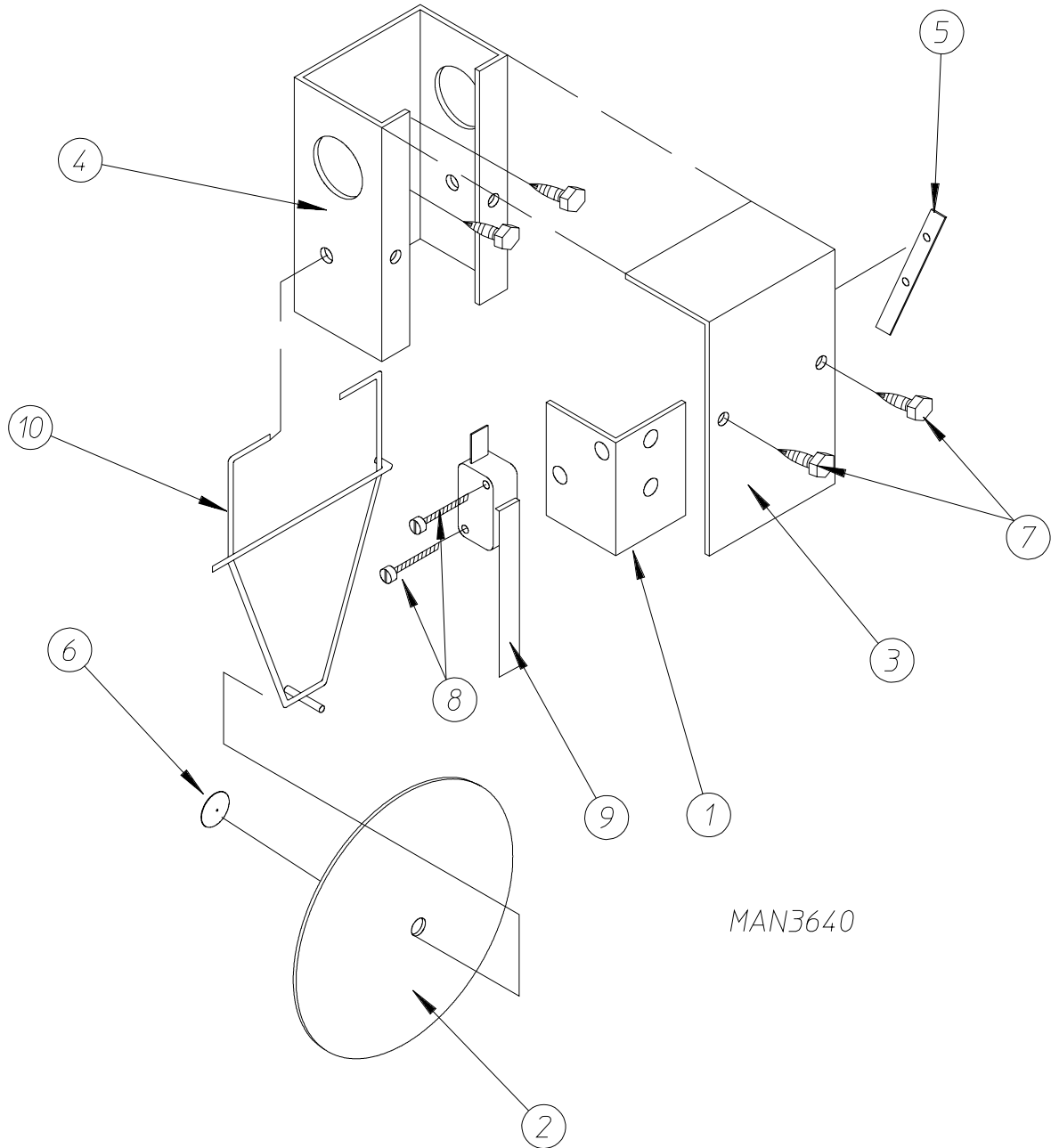
Hot Surface Ignition (HSI) Burner Assembly

| <u>Illus. No.</u> | <u>Part No.</u> | <u>Qty.</u> | <u>Description</u> |
|-------------------|-----------------|-------------|--|
| 1 | 881781* | 1 | Natural Gas Burner Assembly Complete Less Orifices (includes illus. nos 1 through 9 and 11 through 29) For models mfd. with Natural Gas ONLY |
| | 881784* | 1 | L.P. (liquid propane) Gas Burner Assembly Complete Less Orifices (includes illus. nos 1 through 9 and 11 through 29) For models mfd. with L.P. (liquid propane) Gas ONLY |
| | 802237 | 1 | Burner Box ONLY |
| | 882230** | 1 | ADG-75.8 HSI L.P. Conversion Kit |
| 2 | 318041 | 1 | Burner Box Front ONLY |
| 3 | 150309 | 5 | #10-16 x 1/2" Hex Head TEK Crimptite Screw |
| 4 | 810029 | 1 | Hot Surface Ignition (HSI) Module Mounting Bracket |
| 5 | 881797 | 1 | HSI (Hot Surface Ignition) Module II |
| 6 | 141105 | 4 | Large Burner Tube |
| 7 | 150103 | 4 | #8-32 x 1/2" Phillips Round Head Machine Screw |
| 8 | 153000 | 4 | #8 Steel Burr |
| 9 | 151001 | 4 | #8-32 Pal Nut |
| 10** | 140819 | 4 | #30 Burner Orifice (natural gas) ONLY |
| | 140803 | 4 | #49 Burner Orifice (liquid propane gas) ONLY |
| 11 | 141210 | 1 | 4-Port Manifold |
| 12 | 318700 | 2 | Pipe Bracket |
| 13 | 150300 | 2 | #10 x 1/2" Hex Washer TEK Screw |
| 14 | 128927 | 1 | 1/2" 24 VAC Redundant (natural gas) Gas Valve |
| | 880960 | 1 | 1/2" 24 VAC L.P. (liquid propane) Gas Valve Assembly |
| | 140411 | 1 | 24 VAC Gas Valve L.P. (liquid propane) Conversion Kit |
| 15 | 881367 | 1 | 1/2' Union Shut Off with Tail Piece |
| 16 | 142809 | 1 | 1/2" x 29-1/8" Nipple |
| 17 | 323737 | 1 | Pipe Bracket |
| 18 | 319704 | 1 | Hi-Limit Mounting Bracket |
| 19 | 151000 | 2 | #6-32 Pal Nut |
| 20 | 150001 | 2 | #6-32 x 1/2" Phillips Round Head Machine Screw |
| 21 | 130201 | 1 | 330° Manual Reset Hi-Limit ONLY |
| 22 | ----- | 1 | Sail Switch (refer to Sail Switch Assembly on page 32) |
| 23 | 143000 | 1 | 3/4" to 1/2" Reducing Coupling |
| 24 | 150309 | 2 | #10-16 x 1/2" Hex Head TEK Crimptite Screw |
| 25 | 150309 | 2 | #10-16 x 1/2" Hex Head TEK Crimptite Screw |
| 26 | 151001 | 2 | #8-32 Pal Nut |
| 27 | 150309 | 3 | #10-16 x 1/2" Hex Head TEK Crimptite Screw |
| 28 | 128921 | 1 | HSI Flame Sensor |
| 29 | 150301 | 1 | #8-18 x 7/16" Phillips Pan Head TEK Screw |
| 30 | 881597 | 1 | Hot Surface Ignitor (2-1/2" length) - 24 VAC |
| 31 | 150309 | 1 | #10-16 x 1/2" Hex Head TEK Crimptite Screw |

* Burner orifices *are not included* and **must be** ordered separately.

** Consult factory for elevations over 2,000 feet.

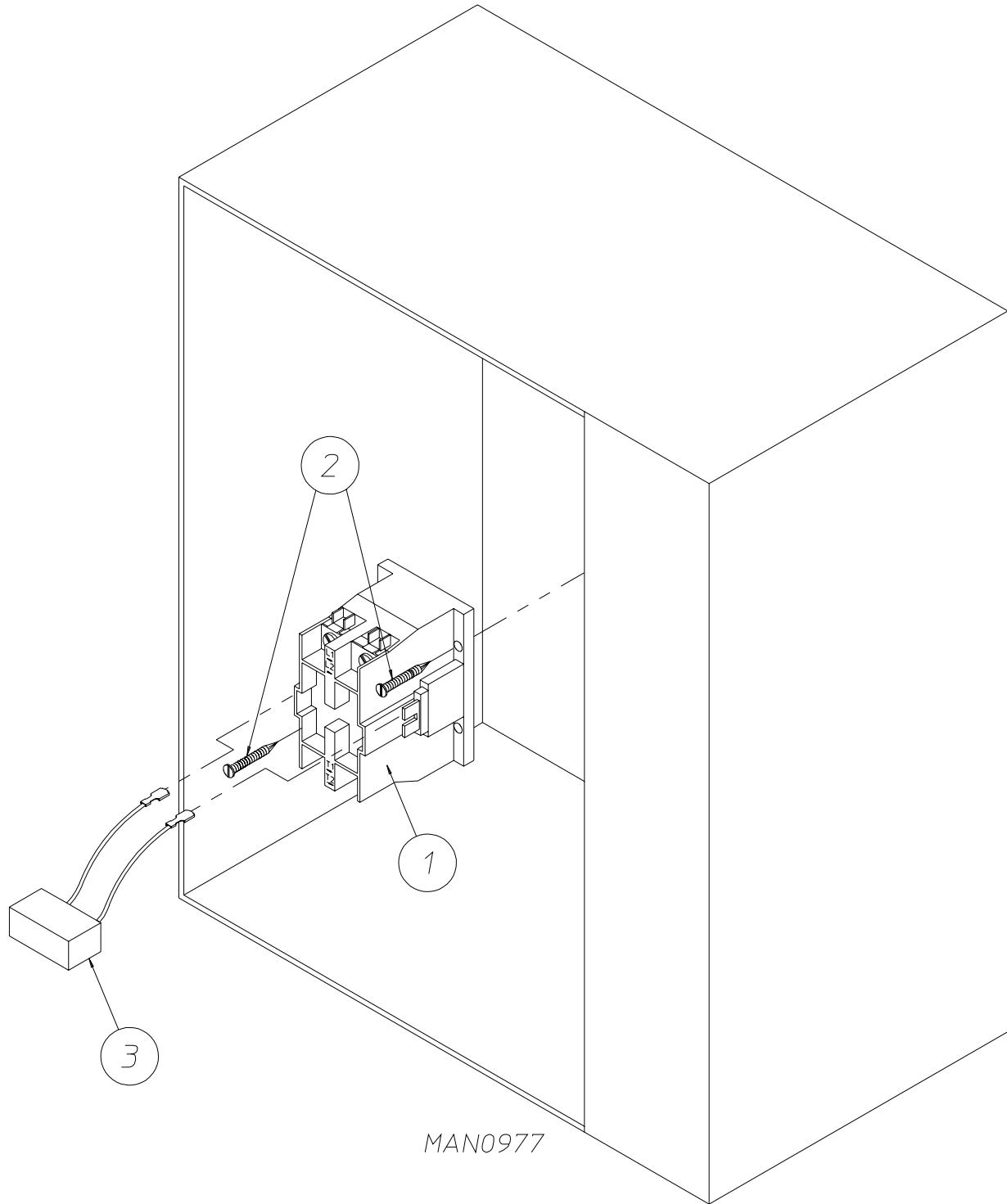
Sail Switch Assembly



MAN3640

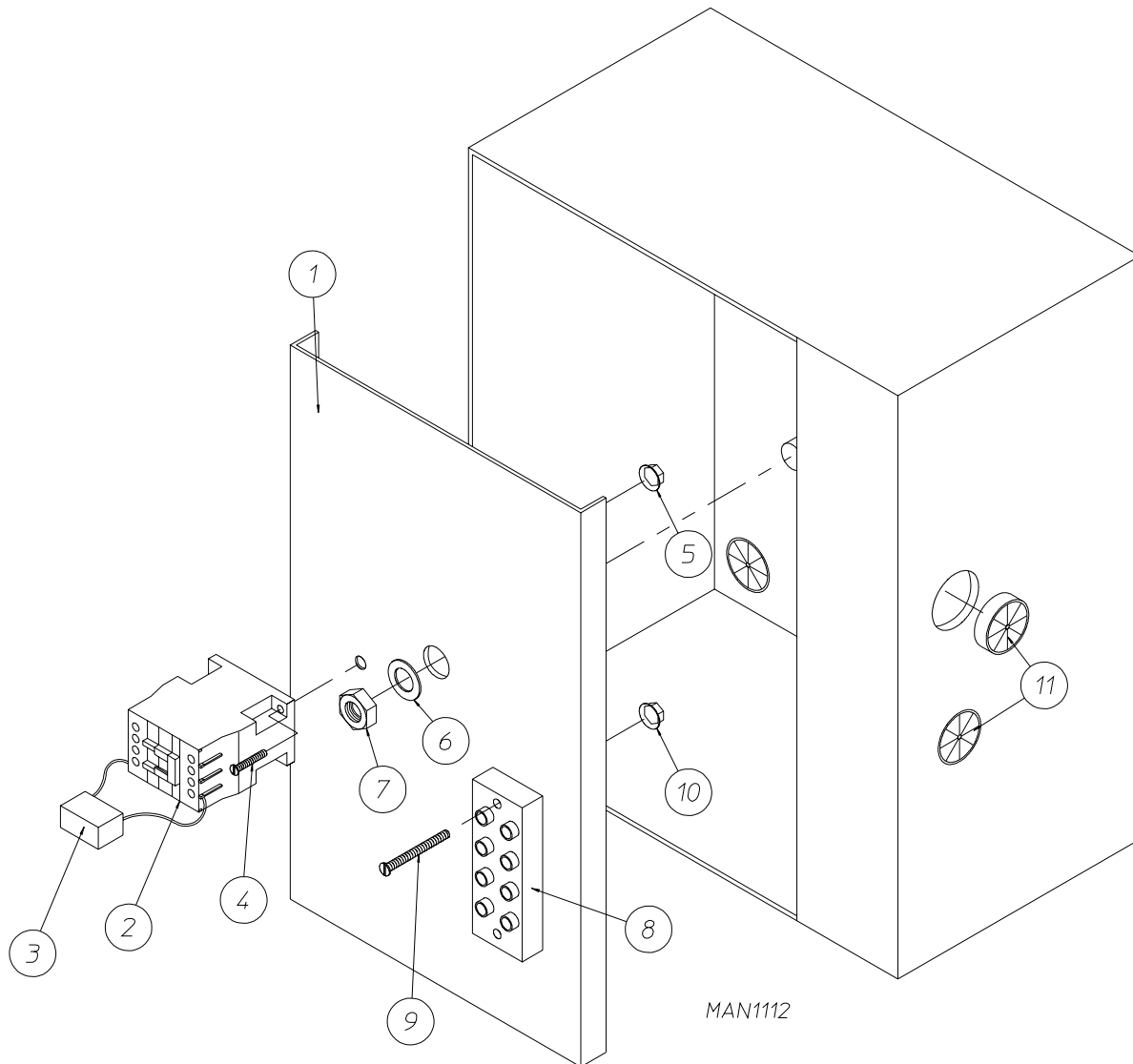
| <u>Illus. No.</u> | <u>Part No.</u> | <u>Qty.</u> | <u>Description</u> |
|-------------------|-----------------|-------------|--|
| 1 | 319203 | 1 | Sail Switch Mounting Bracket |
| 2 | 319202 | 1 | Sail Switch Damper (flat) |
| 3 | 319201 | 1 | Sail Switch Box Cover |
| 4 | 319200 | 1 | Sail Switch Box |
| 5 | 154004 | 1 | Twin Speed Nut |
| 6 | 154002 | 1 | 1/8" Push-on Fastener |
| 7 | 150309 | 4 | #10-16 x 1/2" Hex Head TEK Crimptite Screw |
| 8 | 150303 | 2 | #4 x 3/4" Pan Head "A" Machine Screw |
| 9 | 122200 | 1 | Sail Switch ONLY |
| | 881706 | 1 | Sail Switch Box Assembly Complete (includes illus. nos. 1 through 10) |
| 10 | 105500 | 1 | Sail Switch Actuator Rod |

Single-Phase Motor, Electric Relay Panel Assembly



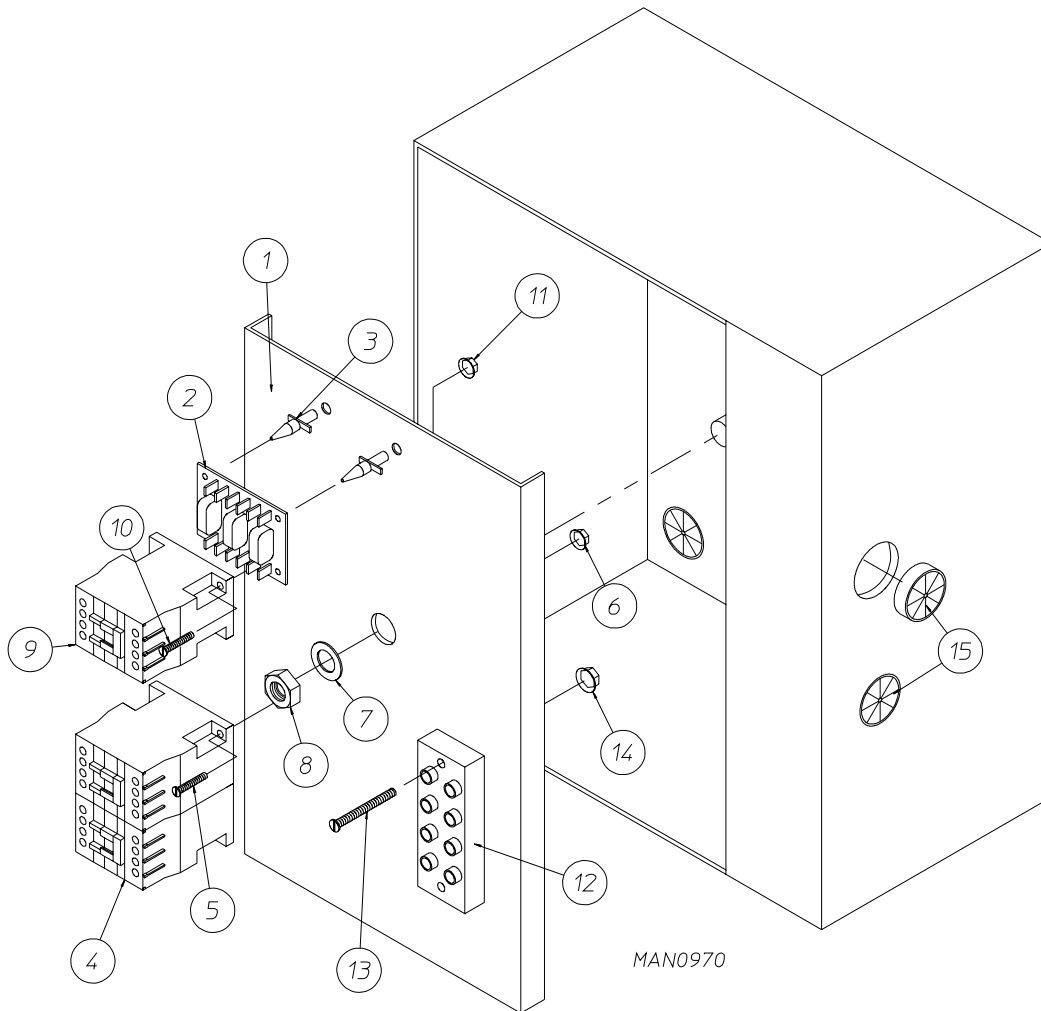
| <u>Illus. No.</u> | <u>Part No.</u> | <u>Qty.</u> | <u>Description</u> |
|-------------------|-----------------|-------------|---|
| 1 | 132451 | 1 | 2-Pole Contactor - 24 VAC |
| 2 | 150299 | 2 | #10 x 1" Hex Washer TEK Screw |
| 3 | 824828 | 1 | RC Network with Connectors (for microprocessor [computer] models Only) |
| - | 322809 | 1 | Back Electrical Box Cover ... Not Illustrated |
| - | 150301 | 4 | #8-18 x 7/16" Phillips Pan Head TEK Screw ... Not Illustrated |

3-Phase Motor, Electric Relay Panel Assembly



| <u>Illus. No.</u> | <u>Part No.</u> | <u>Qty.</u> | <u>Description</u> |
|-------------------|-----------------|-------------|--|
| 1 | 322812 | 1 | Back Electrical Box Component Plate |
| 2 | 132430 | 1 | Impellor Contactor (208/230/240v, 50/60 Hz) - 24 VAC |
| | 132432 | 1 | Impellor Contactor Replacement Coil (208/230/240v, 50/60 Hz) - 24 VAC |
| 3 | 137015 | 1 | RC Network (for microprocessor [computer] models ONLY) |
| 4 | 150103 | 2 | #8-32 x 3/4" Phillips Round Head Machine Screw |
| 5 | 151001 | 2 | #8-32 Pal Nut |
| 6 | 153002 | 1 | 5/16" Lock Washer |
| 7 | 152004 | 1 | 5/16-18 Hex Nut |
| 8 | 120701 | 1 | 4-Position Terminal Block |
| 9 | 150008 | 2 | #6-32 x 1-1/4" Slotted Round Head Machine Screw |
| 10 | 151000 | 2 | #6-32 Pal Nut |
| 11 | 121300 | 3 | Open/Close Bushing |
| --- | 322809 | 1 | Back Electrical Box Cover ... Not Illustrated |
| --- | 150301 | 4 | #8-18 x 7/16" Phillips Pan Head TEK Screw ... Not illustrated |
| --- | ----- | 1 | Transformer (refer to Step Down Transformer Usage Listing on page 39) |

Microprocessor Reversing Rear Control Box Assembly

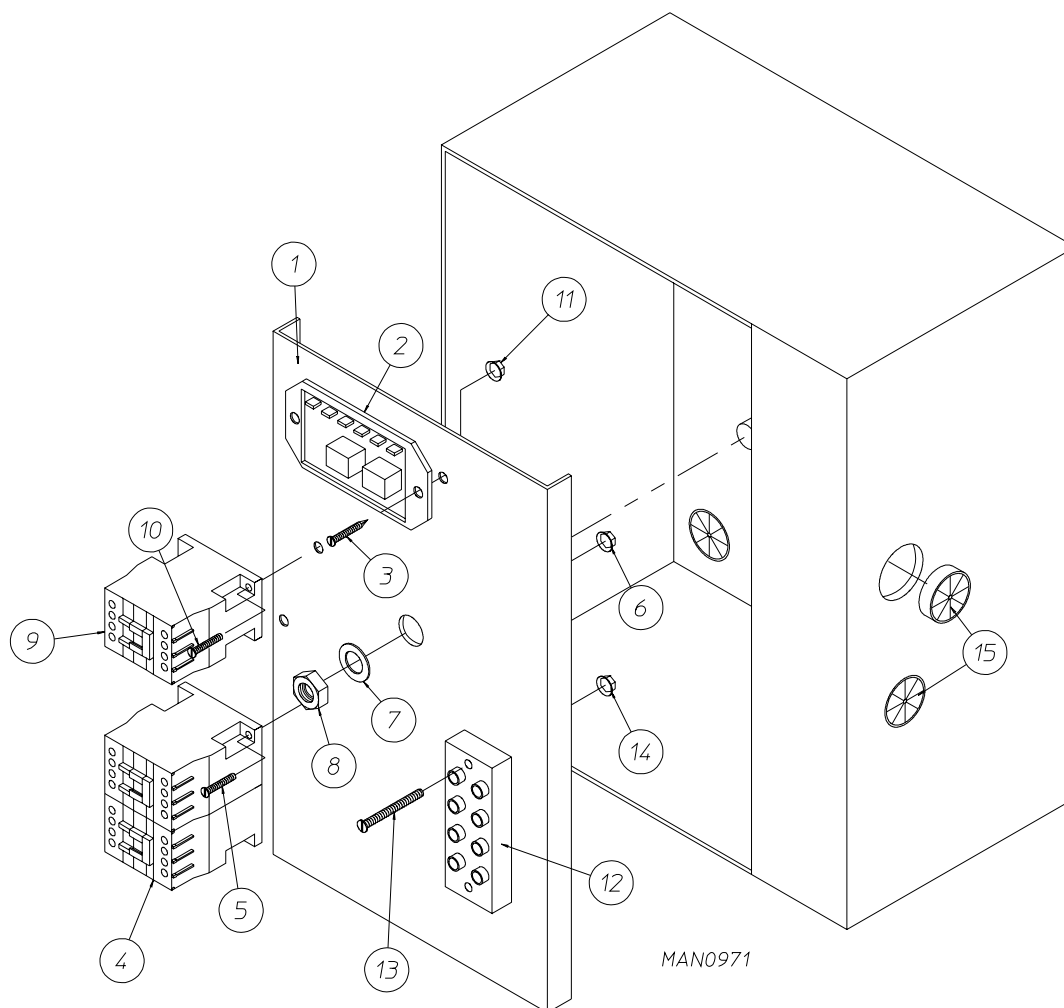


MAN0970

| Illus. No. | Part No. | Qty. | Description |
|------------|----------|------|--|
| 1 | 322812 | 1 | Back Electrical Box Component Plate |
| 2 | 137060 | 1 | Arc Suppressor (AS) Board |
| 3 | 137013 | 4 | Nylon Standoff |
| 4 | 132431 | 1 | Reversing Contactor (208/230/240v, 50/60 Hz) - 24 VAC |
| | 132432 | 2 | Reversing Contactor Replacement Coil (208/230/240v, 50/60 Hz) - 24 VAC |
| 5 | 150103 | 2 | #8-32 x 3/4" Phillips Round Head Machine Screw |
| 6 | 151001 | 2 | #8-32 Pal Nut |
| 7 | 153002 | 1 | 5/16" Lock Washer |
| 8 | 152004 | 1 | 5/16-18 Hex Nut |
| 9 | 132430 | 1 | Impellor Contactor (208/230/240v, 50/60Hz) 24 VAC |
| | 132432 | 1 | Impellor Contactor Replacement Coil (208/230/240v, 50/60 Hz) - 24 VAC |
| 10 | 150103 | 2 | #8-32 x 3/4" Phillips Round Head Machine Screw |
| 11 | 151001 | 2 | #8-32 Pal Nut |
| 12 | 120701 | 1 | 4-Position Terminal Block |
| 13 | 150008 | 2 | #6-32 x 1-1/4" Slotted Round Head Machine Screw |
| 14 | 151000 | 2 | #6-32 Pal Nut |
| 15 | 121300 | 3 | Open/Close Bushing |
| --- | 322809 | 1 | Back Electrical Box Cover ... Not Illustrated |
| --- | 150301 | 4 | #8-18 x 7/16" Phillips Round Head TEK Screw ... Not Illustrated |
| --- | ----- | 1 | Transformer |

(refer to **Step Down Transformer Usage Listing** on [page 39](#))

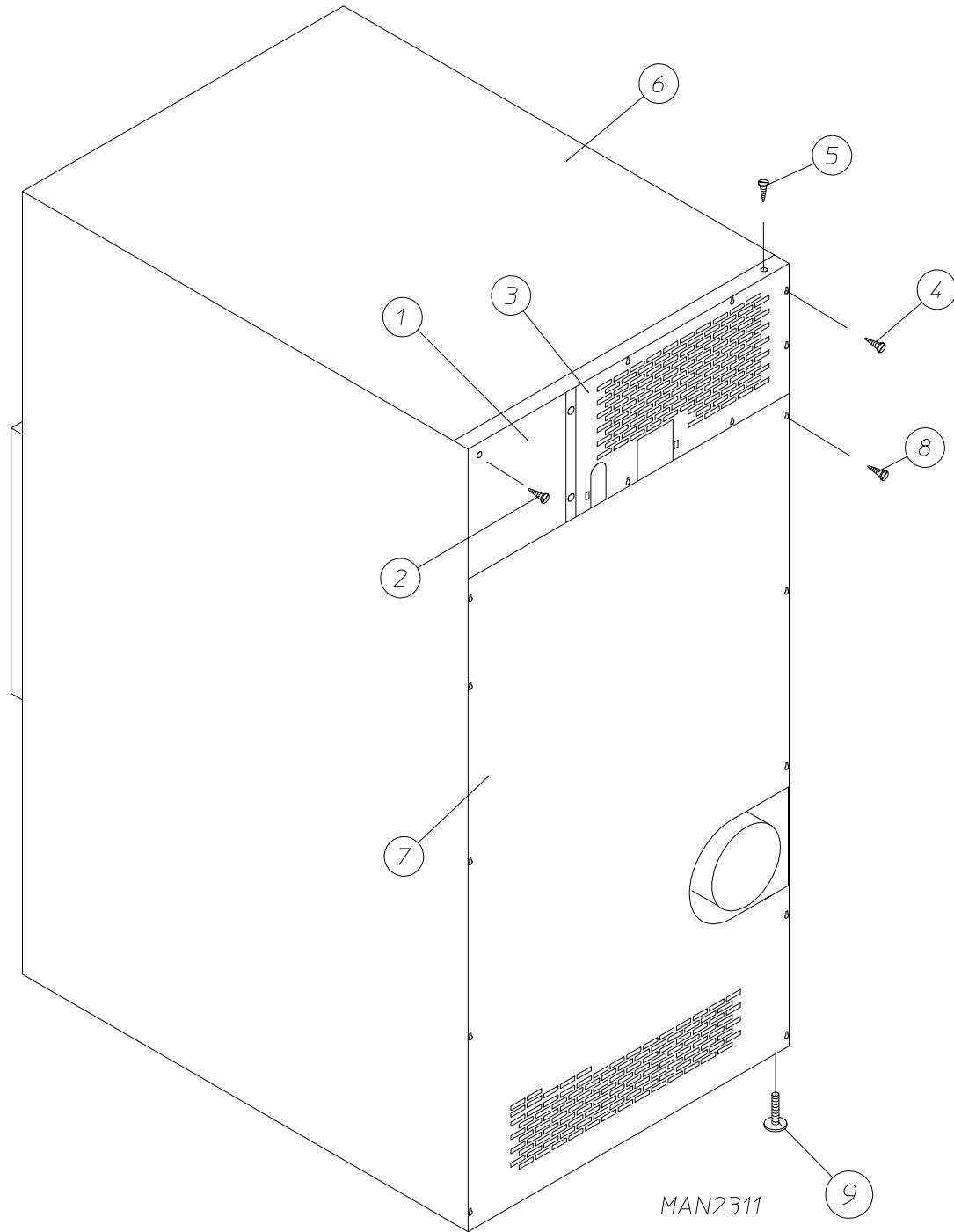
Dual Timer Reversing Rear Control Box Assembly



| Illus. No. | Part No. | Qty. | Description |
|------------|----------|------|--|
| 1 | 322812 | 1 | Back Electrical Box Component Plate |
| 2 | 132198 | 1 | Reversing Timer (50/60 Hz) - 24 VAC |
| 3 | 150301 | 2 | #8-18 x 7/16" Phillips Pan Head TEK Screw |
| 4 | 132431 | 1 | Reversing Contactor (208/230/240v, 50/60 Hz) - 24 VAC |
| | 132432 | 2 | Reversing Contactor Replacement Coil (208/230/240v, 50/60 Hz) - 24 VAC |
| 5 | 150103 | 2 | #8-32 x 3/4" Phillips Round Head Machine Screw |
| 6 | 151001 | 2 | #8-32 Pal Nut |
| 7 | 153002 | 1 | 5/16" Lock Washer |
| 8 | 152004 | 1 | 5/16-18 Hex Nut |
| 9 | 132430 | 1 | Impellor Contactor (208/230/240v, 50/60 Hz) 24 VAC |
| | 132432 | 1 | Impellor Contactor Replacement Coil (208/230/240v, 50/60 Hz) - 24 VAC |
| 10 | 150103 | 2 | #8-32 x 3/4" Phillips Round Head Machine Screw |
| 11 | 151001 | 2 | #8-32 Pal Nut |
| 12 | 120701 | 1 | 4-Position Terminal Block |
| 13 | 150008 | 2 | #6-32 x 1-1/4" Slotted Round Head Machine Screw |
| 14 | 151000 | 2 | #6-32 Pal Nut |
| 15 | 121300 | 3 | Open/Close Bushing |
| --- | 322809 | 1 | Back Electrical Box Cover ... Not Illustrated |
| --- | 150301 | 4 | #8-18 x 7/16" Phillips Pan Head TEK Screw ... Not Illustrated |
| --- | ----- | 1 | Transformer |

(refer to **Step Down Transformer Usage Listing** on [page 39](#))

Outer Top/Back Guard Assemblies



| <u>Illus. No.</u> | <u>Part No.</u> | <u>Qty.</u> | <u>Description</u> |
|-------------------|-----------------|-------------|---|
| 1 | 322809 | 1 | Rear Electrical Box Cover |
| 2 | 150301 | 5 | #8-18 x 7/16" Phillips Pan Head TEK Screw |
| 3 | 323738 | 1 | Top Back Guard |
| 4 | 150301 | 6 | #8-18 x 7/16" Phillips Pan Head TEK Screw |
| 5 | 150301 | 8 | #8-18 x 7/16" Phillips Pan Head TEK Screw |
| 6 | 312527 | 1 | Outer Top Guard |
| 7 | 314514 | 1 | Lower Back Guard |
| 8 | 150301 | 10 | #8-18 x 7/16" Phillips Pan Head TEK Screw |
| 9 | 103500 | 4 | Leveling Leg |

NOTE: Coin Acceptors listed included Optical Switch (ADC Part No. 137056).

Single Coin*

| ADC Part No. | Nation | Description |
|--------------|-----------------|-------------------------------------|
| 125100 | U.S. and Canada | 25¢ Optic Coin Acceptor |
| 125101 | United Kingdom | 10 New Pence Optic Coin Acceptor |
| 125114 | United Kingdom | 20 New Pence Optic Coin Acceptor |
| 125120 | France | 2 French Franc Optic Coin Acceptor |
| 125124 | France | 5 French Franc Optic Coin Acceptor |
| 125107 | Australia | 20¢ Australian Optic Coin Acceptor |
| 125130 | Australia | \$1 Australian Optic Coin Acceptor |
| 125123 | New Zealand | 50¢ New Zealand Optic Coin Acceptor |
| 881604 | Japan | 100 Yen Hanke Optic Coin Acceptor |
| 125103 | --- | .882 Token Optic Coin Acceptor |
| 125121 | --- | .800 Token Optic Coin Acceptor |
| 125129 | --- | Muller Token Optic Coin Acceptor |
| 125132 | Singapore | 50¢ Singapore Optic Coin Acceptor |
| 125133 | Hong Kong | \$1 Hong Kong Optic Coin Acceptor |

Dual Coin*

| | | |
|--------|-----------------|--|
| 881508 | U.S. and Canada | 10¢ / 25¢ Hanke Dual Optic Coin Acceptor |
| 881842 | Canada | 25¢ / \$1 Hanke Dual Optic Coin Acceptor |
| 881542 | United Kingdom | 1£ / 20 Pence Hanke Dual Optic Coin Acceptor |
| 881846 | France | 2 / 5 Franc Hanke Dual Optic Coin Acceptor |
| 125134 | Denmark | 1 / 5 Danish Krone Dual Optic Coin Acceptor |
| 125126 | Netherlands | 25¢ / 1 Guilder Dual Optic Coin Acceptor |

* Consult factory for Coin Acceptors not listed.

| STEP DOWN TRANSFORMER USAGE LISTING | | | |
|--|----------------|---------------------|-----------------------------|
| Heat | Voltage | Wire Service | Transformer Part No. |
| GAS | 380 | 3 | 132059 |
| | 380 | 4 | 132059 |
| | 416 | 3 | 132062 |
| | 416 | 4 | 132062 |
| | 460/480 | 3 | 132053 |
| | 460/480 | 4 | 132053 |
| | 575 | 3 | 132050 |

| <u>Part No.</u> | <u>Description</u> |
|-----------------|--|
| 112039 | “Black/White/Green Ground” Label |
| 112280 | “ Clean Lint Screen” Label |
| 112041 | “CAUTION - Exhaust/Lint Screen” Label |
| 112534 | “Phase 5 OPL Program Location Summary” Label |
| 114006 | “WARNING - Fire Hazards” Label |
| 114095 | “MOPHEAD WARNING” Label |
| 117505 | Aluminum Duct Tape (sold by the foot) |
| 120100 | 3/8” Straight (BX) Connector |
| 120300 | 3/8” x 45° (BX) Connector |
| 120400 | 3/8” Red Jacket (BX) Insulator |
| 120500 | 3/8” Jiffy Clip (BX Retainer Clip) |
| 120600 | 3/8” Greenfield (BX) |
| 120800 | 1/4” In-Line Connector |
| 120802 | Red Butt Connector |
| 120902 | #74B Wire Nut |
| 120903 | Crimp-on Wire Nut |
| 121014 | 1/4” Insulated (female) Terminal |
| 121499 | 4” Harness Tie |
| 121500 | 7” Harness Tie |
| 121503 | Harness Tie Mounting Clip |
| 122804 | Manometer (Hydro Gauge) for measuring Gas Pressure |
| 404500 | Almond Brush-In-Cap Bottle Touch-Up Paint |
| 404502 | White-Brush-In-Cap Bottle Touch-Up |
| 404506 | Beige Brush-In-Cap Bottle Touch-Up Paint |
| 404507 | Cornflower Blue Brush-In-Cap Bottle Touch-Up Paint |
| 410001 | 1/2” Allen Wrench (for removal of Shut-Off Valve Tail Piece) |
| 880200 | Electrical Terminal (assortment) Kit |
| 880884 | Tumbler Bearing Puller |

