



AD-115ES Parts Manual 24 VAC Phase 5 2000

American Dryer Corporation
88 Currant Road
Fall River MA 02720-4781 USA
Telephone: +1 (508) 678-9000 / Fax: +1 (508) 678-9447
e-mail: techsupport@amdry.com

www.adclaundry.com

Retain This Manual In A Safe Place For Future Reference

American Dryer Corporation products embody advanced concepts in engineering, design, and safety. If this product is properly maintained, it will provide many years of safe, efficient, and trouble-free operation.

ONLY qualified technicians should service this equipment.

OBSERVE ALL SAFETY PRECAUTIONS displayed on the equipment or specified in the installation manual included with the dryer.

The following “**FOR YOUR SAFETY**” caution **must be** posted near the dryer in a prominent location.

FOR YOUR SAFETY

Do not store or use gasoline or other flammable vapors or liquids in the vicinity of this or any other appliance.

POUR VOTRE SÉCURITÉ

Ne pas entreposer ni utiliser d'essence ni d'autres vapeurs ou liquides inflammables dans le voisinage de cet appareil ou de tout autre appareil.

We have tried to make this manual as complete as possible and hope you will find it useful. **ADC** reserves the right to make changes from time to time, without notice or obligation, in prices, specifications, colors, and material, and to change or discontinue models.

Important

For your convenience, log the following information:

DATE OF PURCHASE _____ **MODEL NO.** **AD-115ES**

RESELLER'S NAME _____

Serial Number(s) _____

Replacement parts can be obtained from your reseller or the **ADC** factory. When ordering replacement parts from the factory, you can FAX your order to **ADC** at (508) 678-9447 or telephone your order directly to the **ADC** Parts Department at (508) 678-9000. Please specify the dryer **model number** and **serial number** in addition to the **description** and **part number**, so that your order is processed accurately and promptly.

The illustrations on the following pages may not depict your particular dryer exactly. The illustrations are a composite of the various dryer models. Be sure to check the descriptions of the parts thoroughly before ordering.

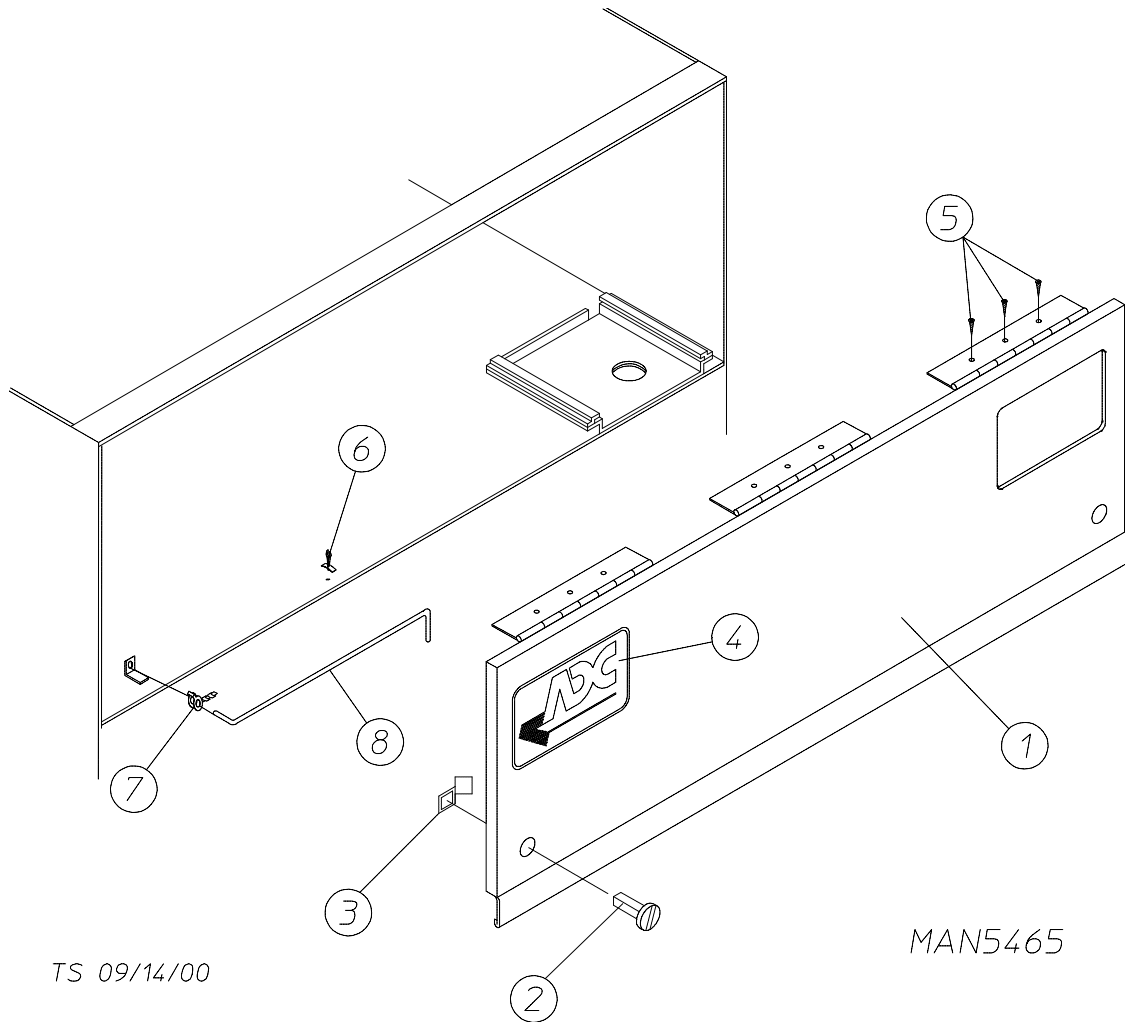
“IMPORTANT NOTE TO PURCHASER”

Information **must be** obtained from your local gas supplier on the instructions to be followed if the user smells gas. These instructions **must be** posted in a prominent location near the dryer.

Table of Contents

Control Door Assembly	3
Microprocessor Control Panel Assembly	4
Control Box Assembly	5
Dual Timer Control Panel Assembly	6, 7
Dual Timer Control Box Assembly	8, 9
Front Panel Main Door Assembly	10, 11
Main Door Switch Assembly	12
Lint Drawer/Lint Drawer Switch Box Assemblies	13
Drop Lint Door Assembly	14
Microprocessor Temperature Sensor Bracket Assembly	15
Non-Microprocessor Temperature Sensor Bracket Assembly	16, 17
Basket (Tumber)/Support Assemblies	18, 19
Basket (Tumbler) Bearing Mount Assembly	20, 21
Idler Bearing Mount Assembly	22, 23
Totally Enclosed, Fan-Cooled (T.E.F.C.) Basket (Tumbler) Motor Mount Assembly	24, 25
Blower Motor Mount Assembly	
For Models Mfd. as of July 17, 2000	26, 27
Blower Motor Mount Assembly	
For Gas Models ONLY Mfd. prior to July 17, 2000	28, 29
Blower Motor Mount Assembly	
For Electric Models ONLY Mfd. prior to July 17, 2000	30, 31
Blower Motor Mount Assembly	
For Steam Models ONLY Mfd. prior to July 17, 2000	32, 33
Direct Spark Ignition (DSI) Burner Assembly	
For Gas Models ONLY	34, 35
Electric Oven Assembly	
For Models Mfd. as of March 24, 2000	36, 37
Electric Oven Assembly	
For Models Mfd. prior to March 24, 2000	38, 39
Electric Oven Relay Box Assembly	
208/240 VAC 3Ø 50/60 Hz	40
Electric Oven Relay Box Assembly	
380/416/480 VAC 3Ø 50/60 Hz	41
Steam Damper Assembly	42, 43
Microprocessor Reversing Relay Panel Assembly	
208-240V 3Ø 3 Wire	44

Microprocessor Reversing Relay Panel Assembly	
575V 3Ø 3.4 Wire	45
Timer Reversing Relay Panel Assembly	
208-240V 3Ø 3.4 Wire	46
Timer Reversing Relay Panel Assembly	
460-480V 3Ø 3.4 Wire	47
Back Guard Assembly	
For Models Mfd. as of July 17, 2000	48
Back Guard Assembly	
For Models Mfd. prior to July 17, 2000	49
Step Down Transformer Usage Listing	50
Direct Spark Ignition (DSI) Burner Assembly Specifications	51
60 Kw and 72 Kw Electric Oven Component Application Charts	52
Electric Oven Power Distribution	
For 60 Kw 208/240 VAC Microprocessor Models	53
Electric Oven Power Distribution	
For 60 Kw 380/416/480 VAC Microprocessor Models	54
Electric Oven Power Distribution	
For 60 Kw 208/240 VAC Dual Timer Models	55
Electric Oven Power Distribution	
For 60 Kw 380/416/480 VAC Dual Timer Models	56
Electric Oven Power Distribution	
For 72 Kw 208/240 VAC Microprocessor Models	57
Electric Oven Power Distribution	
For 72 Kw 380/416/480 VAC Microprocessor Models	58
Electric Oven Power Distribution	
For 72 Kw 208/240 VAC Dual Timer Models	59
Electric Oven Power Distribution	
For 72 Kw 380/416/480 VAC Dual Timer Models	60
Electric Oven Power Distribution	
For 72 Kw 380/416/480 VAC Models	61
Electric Oven Wiring	
For <u>ALL</u> 208/240 VAC Models	62
Electric Oven Wiring	
For <u>ALL</u> 380/416/480 VAC Models	63
Additional Parts Available	64

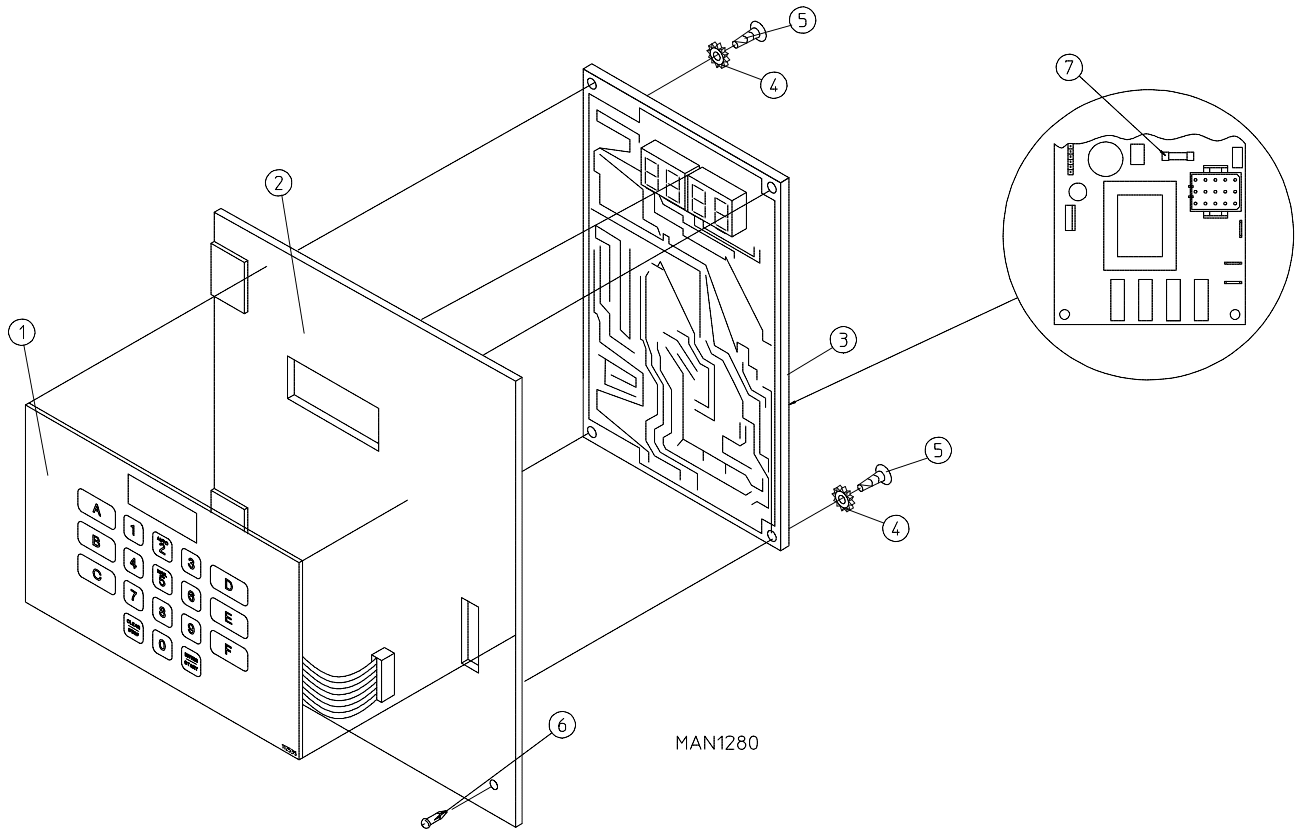


TS 09/14/00

MAN5465

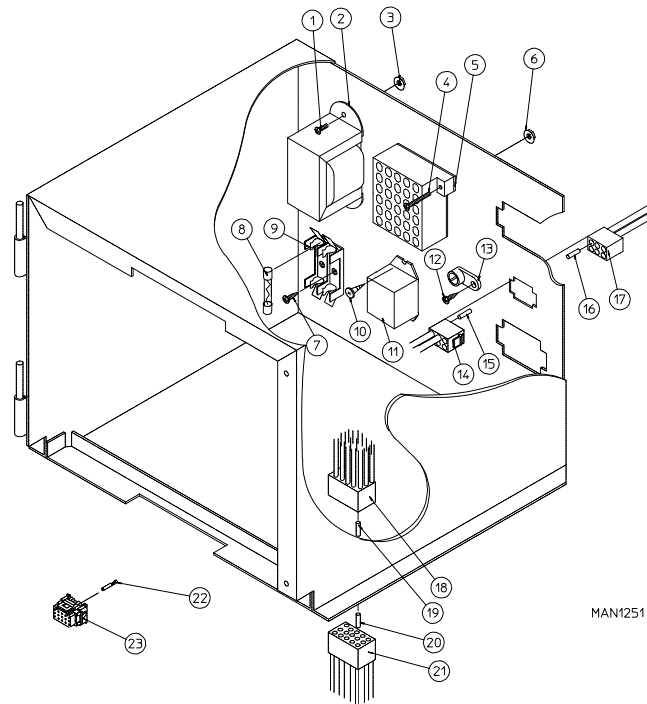
<u>Illus. No.</u>	<u>Part No.</u>	<u>Qty.</u>	<u>Description</u>
1	850491*	1	Control Door Assembly ONLY (for gas models and electric models Only)
	850492	1	Stainless Steel Control Door Assembly ONLY (for gas models and electric models Only)
	850489*	1	Short Control Door ONLY (for steam models Only)
	850490	1	Stainless Steel Short Control Door ONLY (for steam models Only)
2	852011	2	Control Door Locking Hardware (includes illus. nos. 2 and 3)
	882541	2	Spring Turn Latch Assembly
3	159998	2	Slotted Stud For Pawl Latch
4	112360	1	ADC Logo ONLY
	870011	1	Logo Double Tape Kit
5	150309	9	#10-16 x 1/2" Hex Head TEK Crimptite Screw
6	102600	1	Control Door Support Rod Catch
7	102601	1	Control Door Rod Retainer Clip
8	102505	1	Control Door Support Rod

* Specify color when ordering.



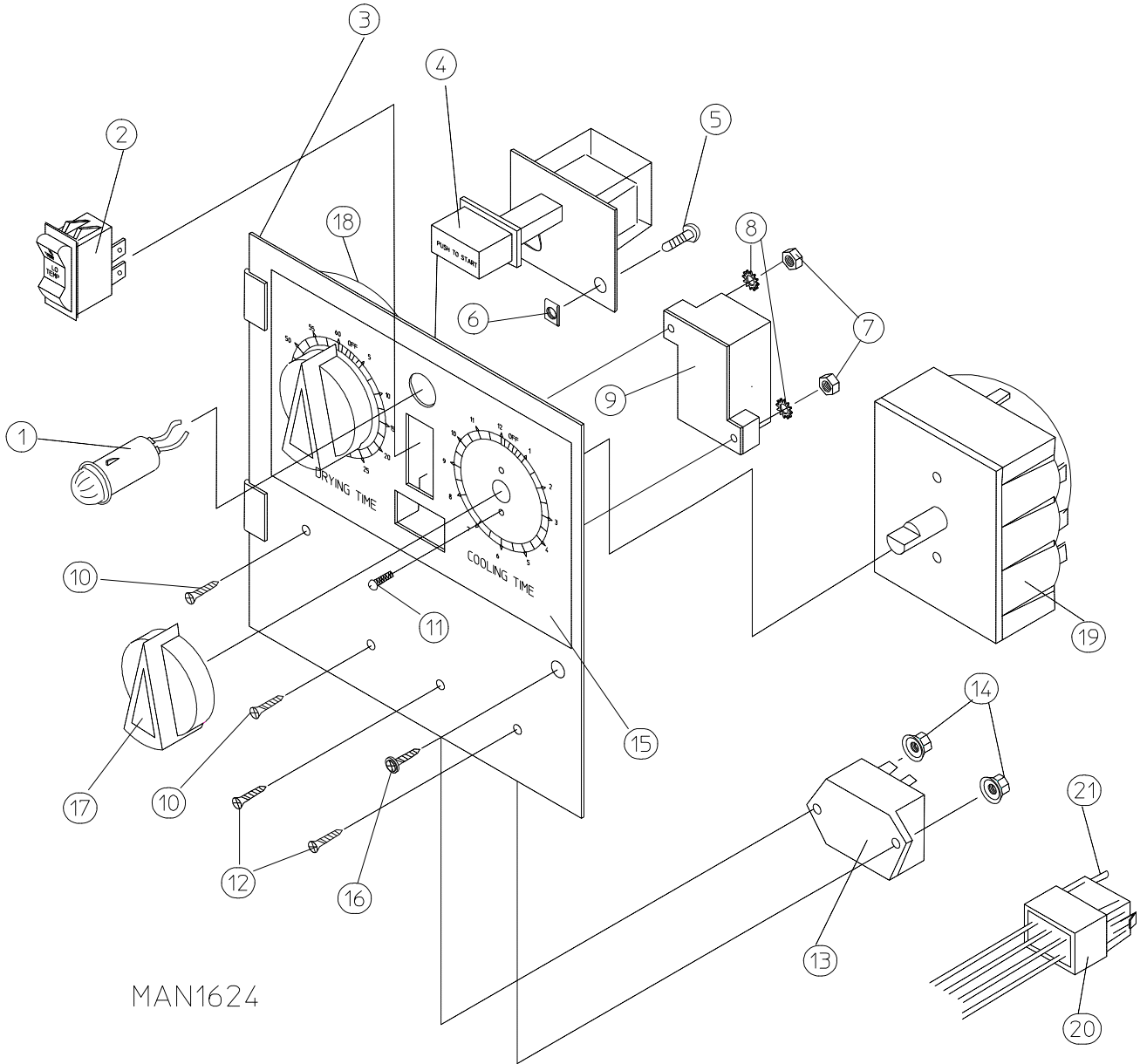
<u>Illus. No.</u>	<u>Part No.</u>	<u>Qty.</u>	<u>Description</u>
1	112535	1	OPL English Keyboard Label Assembly
	112276	1	OPL Stick-On Labels (English Only) ... Not Illustrated
	112275	1	OPL Stick-On Labels (Spanish, Italian, and Hebrew) ... Not Illustrated
	112277	1	3-Language OPL Stick-On Labels (English, Spanish, and Hebrew) ... Not Illustrated
	112278	1	5-Language OPL Stick-On Labels (Italian, Dutch, French, German, and Chinese) ... Not Illustrated
2	880836	1	Microprocessor Control Panel ONLY
	801260	1	Microprocessor Control Panel ONLY with Battery Bracket
	801215	1	Microprocessor Control Panel Assembly Complete (includes illus. nos. 1 through 5 and 7)
	801214	1	Microprocessor Control Panel Assembly Complete with Battery Option (includes illus. nos. 1 through 5 and 7)
3	137231	1	Phase 5 OPL Reversing Controller ONLY
	824998	1	Phase 5 Battery Clip
4	153010	2	#6 Star Washer
5	150005	2	#6-32 x 1/4" Phillips Round Head Machine Screw
6	150309	1	#10-16 x 1/2" Hex Head TEK Crimptite Screw
7	136048	1	1/8-Amp (slo blo) Fuse ONLY

IMPORTANT: Check label on computer chip to verify correct part number for controller.



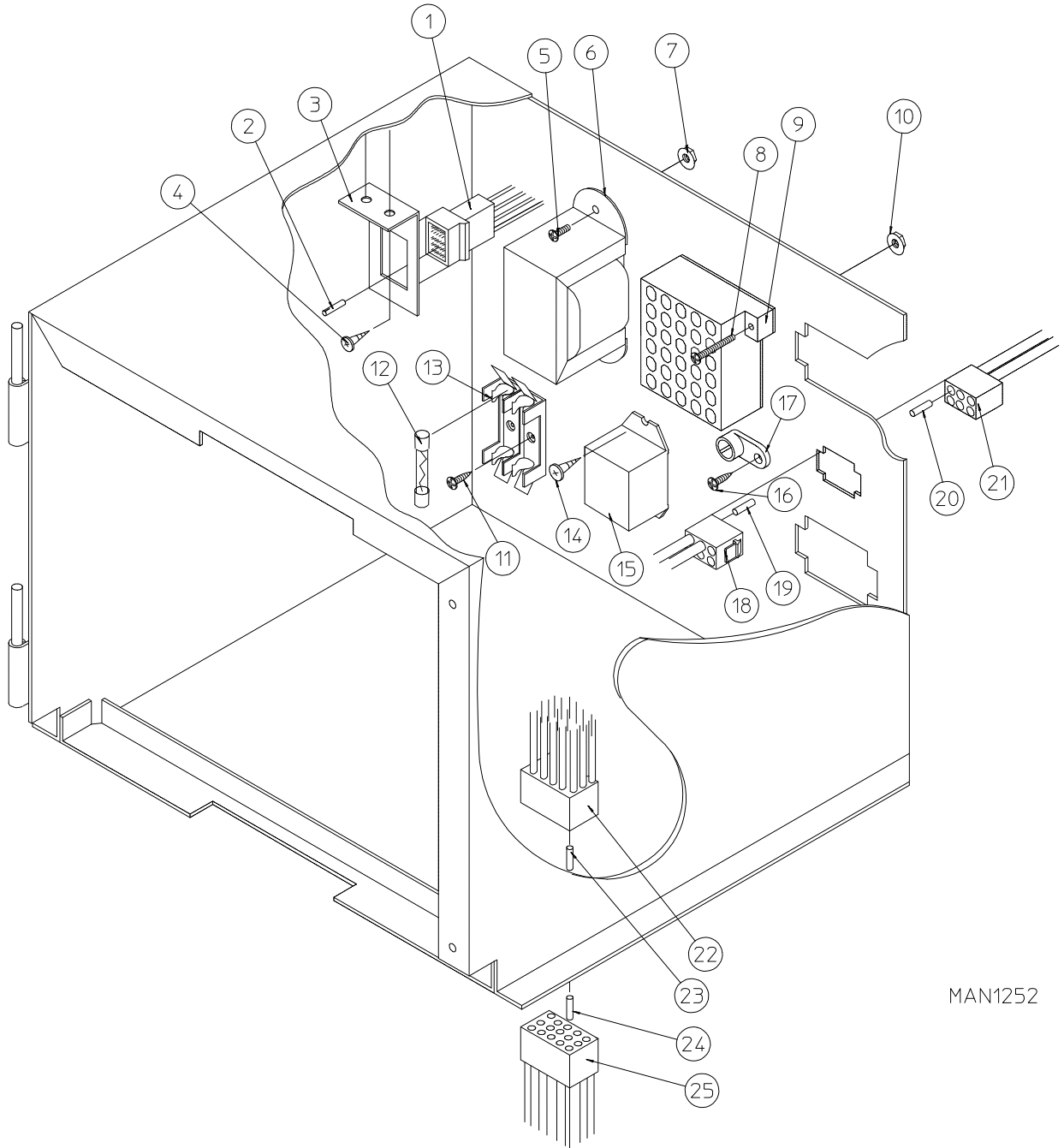
<u>Illus. No.</u>	<u>Part No.</u>	<u>Qty.</u>	<u>Description</u>
1	150100	2	#8-32 x 1/2" Phillips Round Head Machine Screw
2	141403	1	24 VAC Transformer - 50/60 Hz
3	151001	2	#8-32 Pal Nut
4	150002	2	#6-32 x 1" Phillips Round Head Machine Screw
5	120715	1	30-Position Terminal Block
6	151000	2	#6-32 Pal Nut
7	150102	2 or 3	#8 x 3/8" Phillips Pan Head TEK Screw
8	136057	2	1/2-Amp (slo blo) Fuse ONLY
	182453	1	6-Amp Fuse (for electric models Only)
9	136008	2 or 3	Fuse Block/Strip ONLY
10	150309	2	#10-16 x 1/2" Hex Head TEK Crimptite Screw
11	131932	1	24 VAC Relay (for electric models Only)
12	150309	1	#10-16 x 1/2" Hex Head TEK Crimptite Screw
13	121010	1	L70-14-4 Ground Lug
14	122631	1	6-Pin Socket Connector ONLY
15	122705	*	Socket Terminal ONLY
16	122704	*	Pin Terminal ONLY
17	122630	1	6-Pin Connector ONLY
	137025	1	6/15-Position Strain Relief ... Not Illustrated
18	122625	1	15-Pin Connector ONLY
19	122704	12	Pin Terminal ONLY
20	122705	12	Socket Terminal ONLY
21	122626	1	15-Pin Socket Connector ONLY
22	122706	11	Microprocessor Socket ONLY
23	122641	1	15-Pin Microprocessor Connector ONLY
--	122800	1	Microprocessor (female) Pin Extraction Tool
--	122801	1	Pin/Socket Extraction Tool

* As required (either 2 or 3).



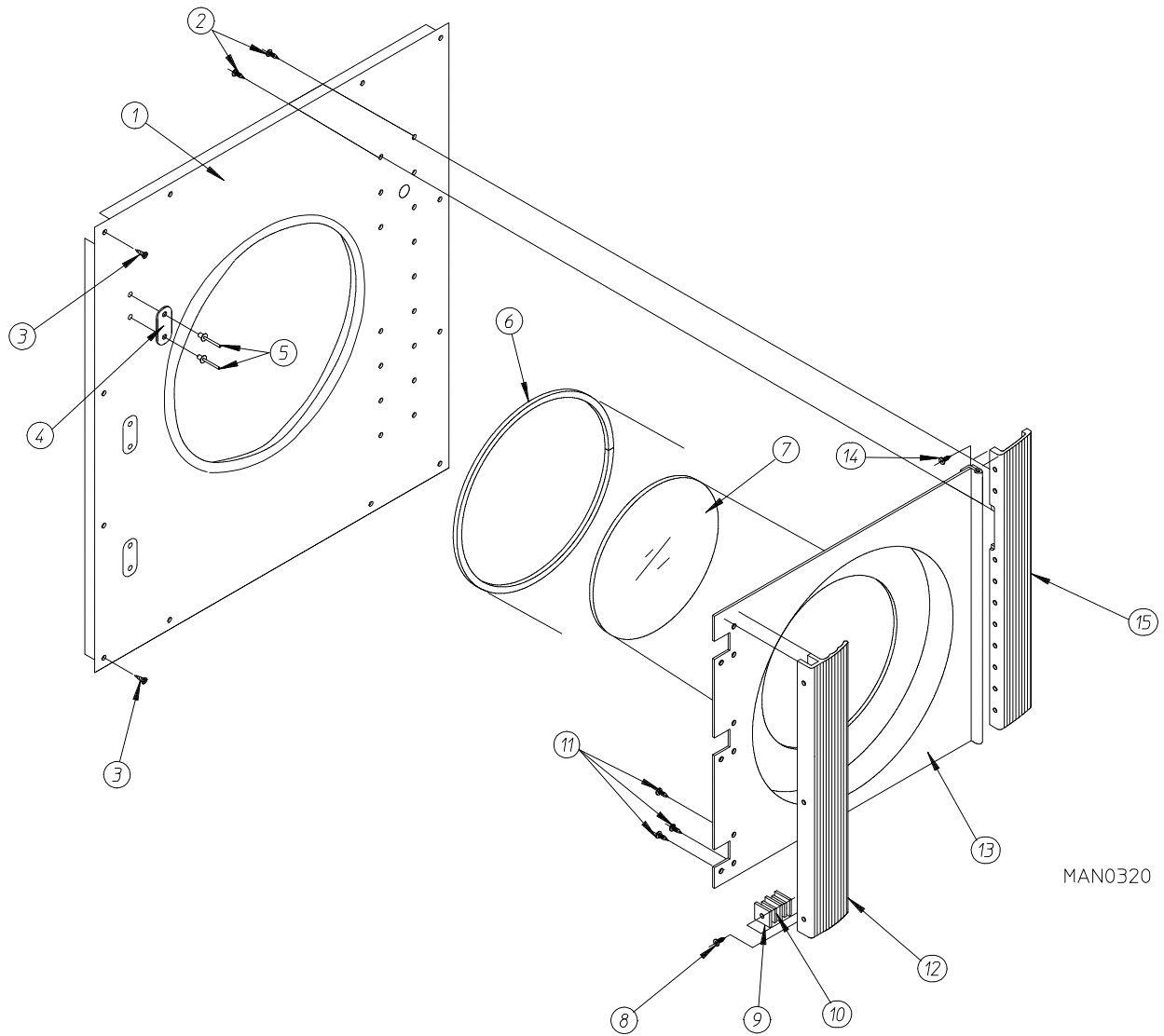
MAN1624

<u>Illus. No.</u>	<u>Part No.</u>	<u>Qty.</u>	<u>Description</u>
1	123005	1	Red Indicator Light - 24 VAC
2	122400	1	Rocker Heat Selector Switch
3	880838	1	Dual Timer Control Panel Assembly Complete - 24 VAC (includes illus. nos. 1 through 15 and 17 through 21)
	880837	1	Dual Timer Control Panel ONLY
4	131917	1	Push to Start Relay - 24 VAC
5	150207	2	#10-24 x 1/2" Phillips Pan Head Machine Screw
6	154001	2	#10-24 Speed Nut
7	152000	2	#6-32 Hex Nut
8	153010	2	#6 Star Washer
9	120730	1	30-Position Terminal Block
10	153565	2	#6-32 x 1" Clinch Stud
11	150110	4	#8-32 x 1/4" Phillips Round Head Machine Screw
12	153560	2	#6-32 x 1/2" Clinch Stud
13	131931	1	Dual Timer Relay - 24 VAC
14	151000	2	#6-32 Pal Nut
15	112050	1	Dual Timer Label ONLY
16	150309	1	#10-16 x 1/2" Hex Head TEK Crimptite Screw
17	124103	2	Arrow Timer Knob
18	124025	1	60 Minute Timer - 24 VAC
19	124030	1	15 Minute Timer - 24 VAC
20	122602	1	9-Pin Connector ONLY
21	122700	7	Pin Terminal ONLY
--	122801	1	Pin/Socket Extraction Tool



MAN1252

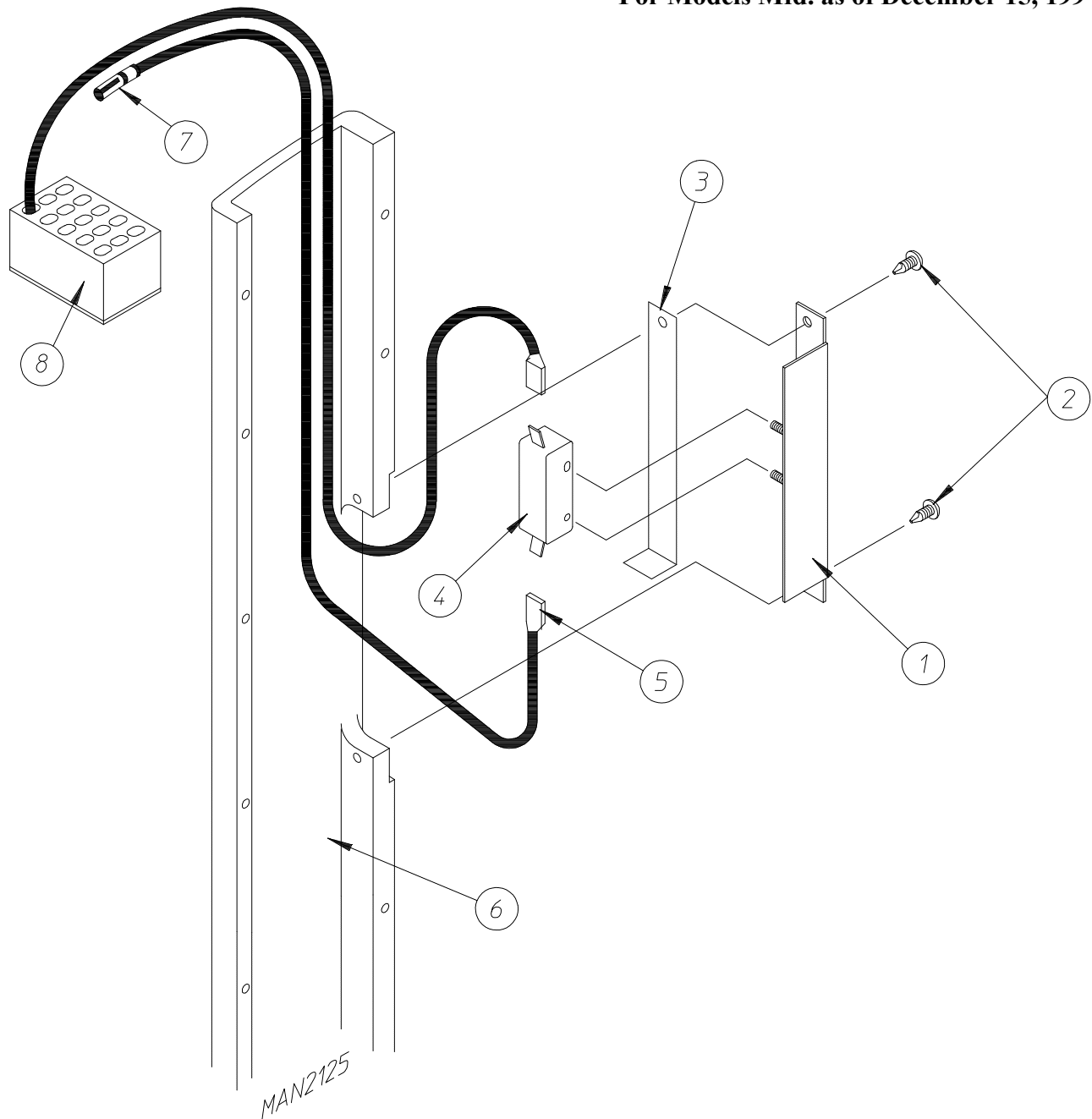
<u>Illus. No.</u>	<u>Part No.</u>	<u>Qty.</u>	<u>Description</u>
1	122603	1	9-Pin Socket Connector
2	122701	7	Socket Terminal ONLY
	122801	1	Pin/Socket Extraction Tool
3	315010	1	9-Pin Connector Bracket
4	150300	2	#10 x 1/2" Hex Washer TEK Screw
5	150100	2	#8-32 x 1/2" Phillips Round Head Machine Screw
6	132070	1	24 VAC Transformer - 50/60 Hz
7	151001	2	#8-32 Pal Nut
8	150002	2	#6-32 x 1" Phillips Round Head Machine Screw
9	120715	1	30-Position Terminal Block
10	151000	2	#6-32 Pal Nut
11	150301	2 or 3	#8-18 x 7/16" Phillips Pan Head TEK Screw
12	136057	2	1/2-Amp (slo blo) Fuse ONLY
	182453	1	6-Amp Fuse (for electric models Only)
13	136008	2 or 3	Fuse Block/Strip ONLY
14	150309	2	#10-16 x 1/2" Hex Head TEK Crimptite Screw
15	131932	1	24 VAC Relay (for electric models Only)
16	150309	1	#10-16 x 1/2" Hex Head TEK Crimptite Screw
17	121010	1	L70-14-4 Ground Lug
18	122631	1	6-Pin Socket Connector ONLY
19	122705	2	Socket Terminal ONLY
20	122704	2	Pin Terminal ONLY
21	122630	1	6-Pin Connector ONLY
	137025	1	6/15-Position Strain Relief ... Not Illustrated
22	122625	1	15-Pin Connector ONLY
23	122704	10	Pin Terminal ONLY
24	122705	10	Socket Terminal ONLY
25	122626	1	15-Pin Socket Connector ONLY
--	122801	1	Pin/Socket Extraction Tool



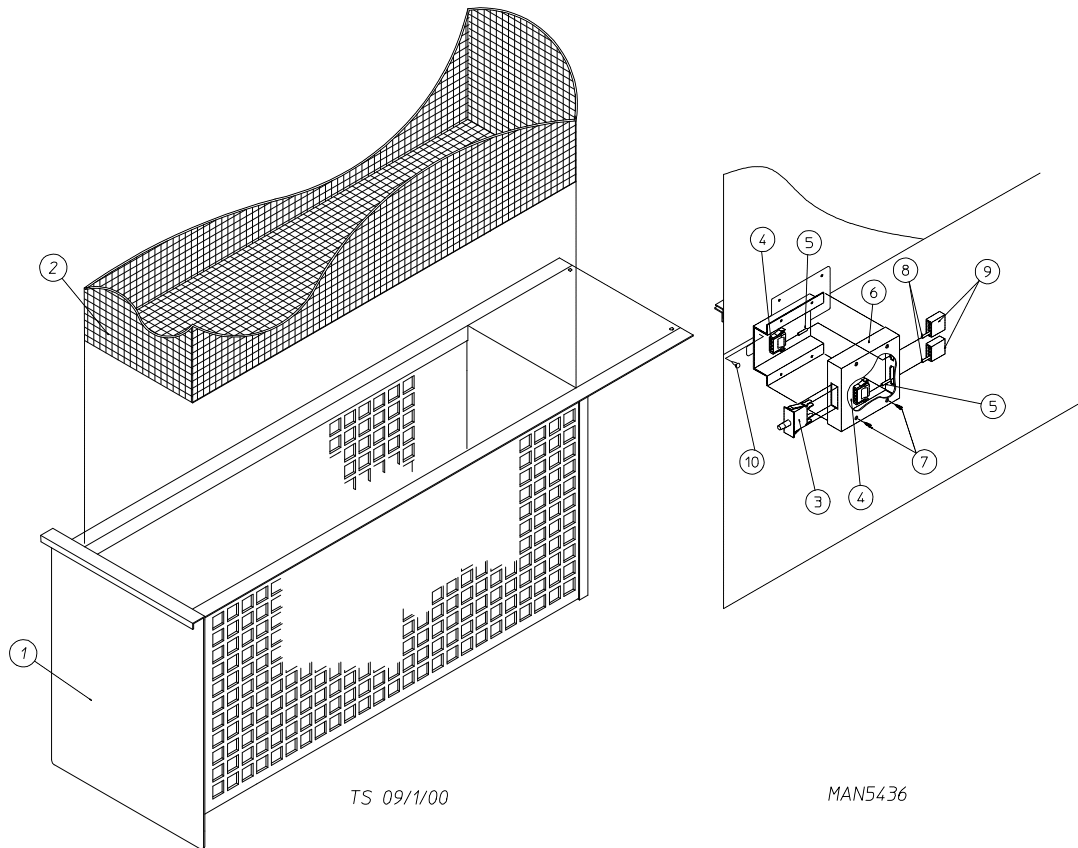
<u>Illus. No.</u>	<u>Part No.</u>	<u>Qty.</u>	<u>Description</u>
1	800349*	1	Right Hand Front Panel Assembly (formed rings) (includes illus. nos. 1, 4, and 5)
	850751	1	Stainless Steel Right Hand Front Panel Assembly (includes illus. nos. 1, 4, and 5)
	882110	1	Right Hand Front Panel Assembly Panels with Welded Rings (includes illus. nos. 1, 4, and 5)
2	150309	15	#10-16 x 1/2" Hex Head TEK Crimptite Screw
3	150311	12	#10-16 x 3/4" Phillips Hex Head Type 1 Zinc
4	170340	3	3-1/2" Stainless Steel Striker Pad
5	154200	6	5/32" Pop Rivet
6	102308	1	Door Gasket ONLY (94" length)
7	102210	1	20-7/16" Door Glass ONLY
	170730	1	Glass Adhesive (10.3 oz. cartridge)
8	150401	3	#10-24 x 1-1/4" Phillips Taptite Screw
9	306801	6	Magnet Keeper ONLY
10	102102	6	1" x 3/4" x .197" Main Door Magnet ONLY
11	150309	9	#10-16 x 1/2" Hex Head TEK Crimptite Screw
12	180151	1	35" Granite Main Door Handle ONLY
13	800265*	1	Main Door Assembly Complete with Granite Handle (includes illus. nos. 6 through 13)
	800266	1	Stainless Steel Main Door Assembly Complete with Granite Handle (includes illus. nos. 6 through 13)
	800122*	1	Main Door Assembly with Glass Gasket ONLY (includes illus. nos. 6, 7, and 13)
	800123	1	Stainless Steel Main Door Assembly with Glass Gasket ONLY (includes illus. nos. 6, 7, and 13)
14	150430	10	#10 x 1/2" Phillips Self Drilling Screw
15	180156	1	35" Granite Main Door Hinge Block ONLY

* Specify color when ordering.

For Models Mfd. as of December 15, 1994



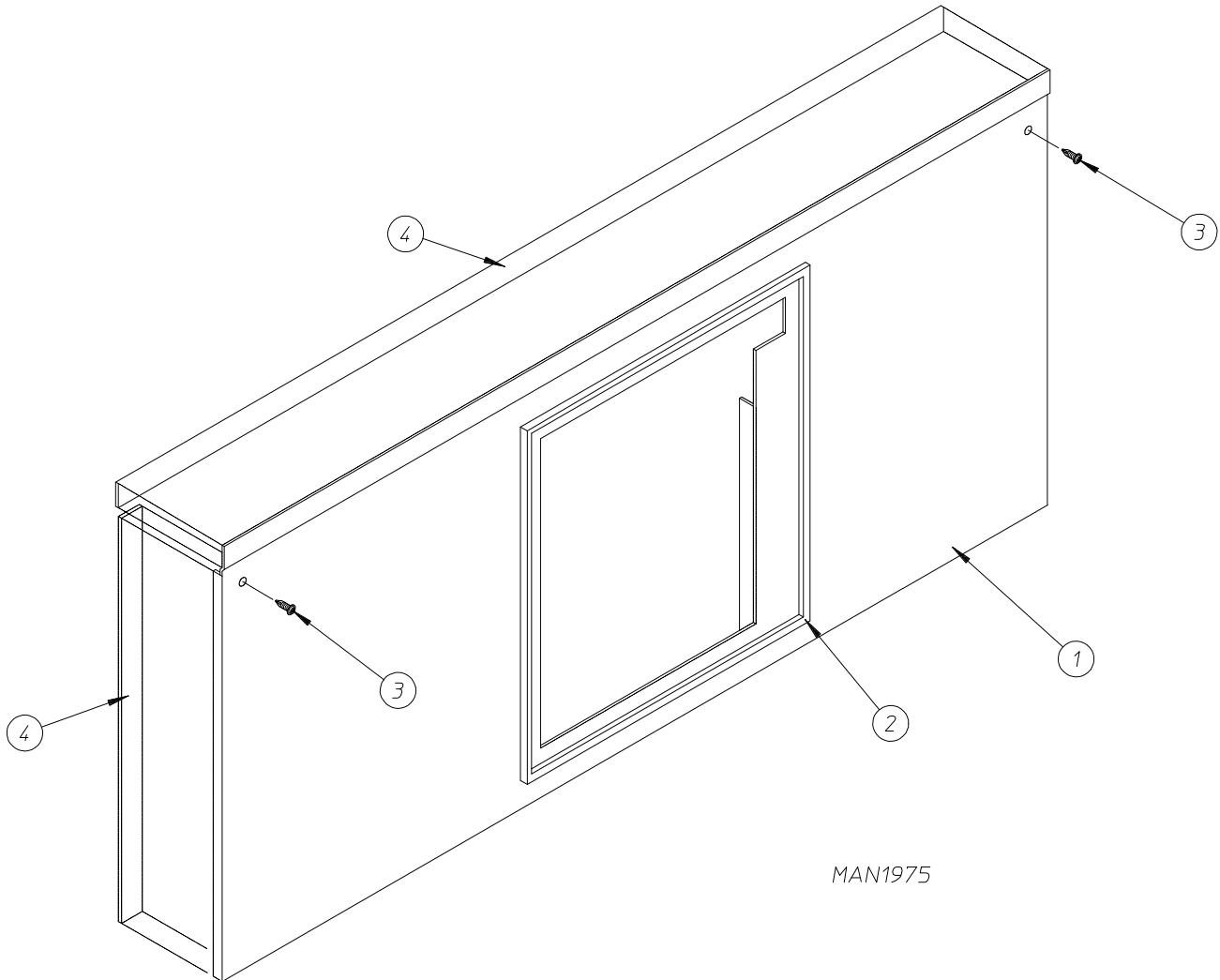
<u>Illus. No.</u>	<u>Part No.</u>	<u>Qty.</u>	<u>Description</u>
1	821098	1	Main Door Switch Assembly Complete (includes illus. nos. 1 through 4 and 6)
	821097	1	Main Door Switch Bracket Assembly ONLY
	102405	1	Main Door Switch Actuator ONLY
2	150309	2	#10-16 x 1/2" Hex Head TEK Crimptite Screw
3	102405	1	Main Door Switch Actuator ONLY
4	137005	1	Main Door Switch ONLY
5	121028	2	1/4" x .032 Insulated Terminal ONLY
6	180156	1	35" Granite Main Door Hinge Block ONLY
7	122705	2	Socket Terminal ONLY
8	122626	1	15-Pin Socket Connector ONLY



<u>Illus. No.</u>	<u>Part No.</u>	<u>Qty.</u>	<u>Description</u>
1*	835011	1	Stainless Steel Lint Drawer Assembly Complete (for models mfd. as of September 5, 2000)
	880871	1	Lint Drawer Assembly Complete (includes illus. nos. 1 and 2) For Models Mfd. prior to September 5, 2000
	820355	1	Stainless Steel Lint Basket (includes illus. nos. 1 and 2) For Models Mfd. prior to September 5, 2000
2	820017	1	Lint Screen Assembly ONLY (for models mfd. prior to September 5, 2000)
3	122116	1	Lint Drawer Switch ONLY
4	122605	2	4-Pin Socket (female) Connector ONLY
5	122701	4	Socket Terminal ONLY
	122801	1	Pin/Socket Extraction Tool
6	800478	1	Guarded Lint Drawer Switch Assembly (includes illus. nos. 4 through 7)
	304034	1	Lint Drawer Switch Box ONLY
7	150301	2	#8-18 x 7/16" Phillips Pan Head TEK Screw
8	122700	4	Pin Terminal ONLY
9	122604	2	4-Pin Connector ONLY
10	150301	2	#8-18 x 7/16" Phillips Pan Head TEK Screw

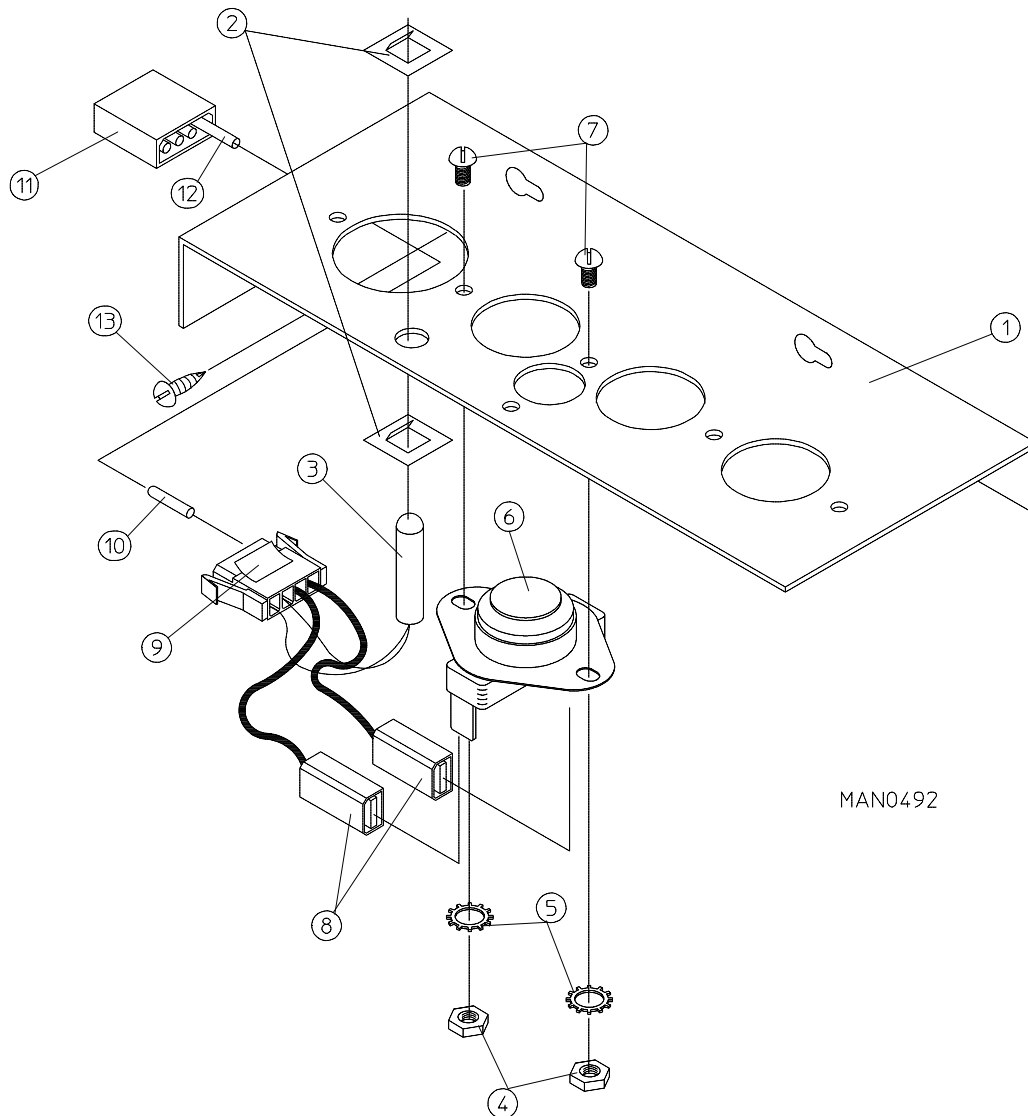
* Specify color when ordering.

NOTE: For current gasket placement refer to **Drop Lint Door Assembly** on **page 14**.



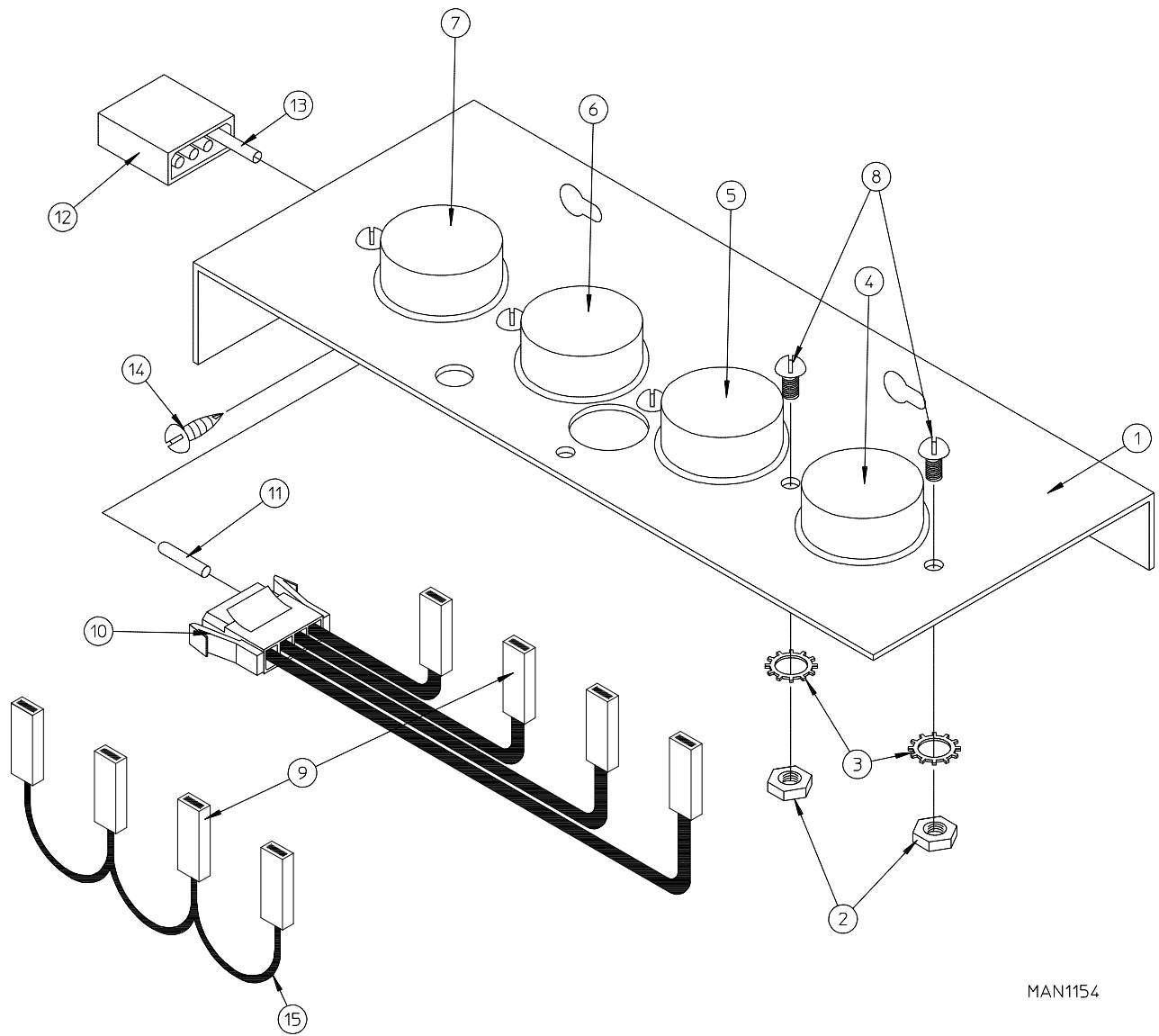
<u>Illus. No.</u>	<u>Part No.</u>	<u>Qty.</u>	<u>Description</u>
1	880870*	1	Drop Lint Door Assembly (includes illus. nos. 1, 2, and 4)
	880872	1	Stainless Steel Drop Lint Door Assembly (includes illus. nos. 1, 2, and 4)
2	117602	5	Gasket (sold by the foot)
3	150309	5	#10-16 x 1/2" Hex Head TEK Crimptite Screw
4	117600	5	Noise Suppressor Tape (sold by the foot)

* Specify color when ordering.



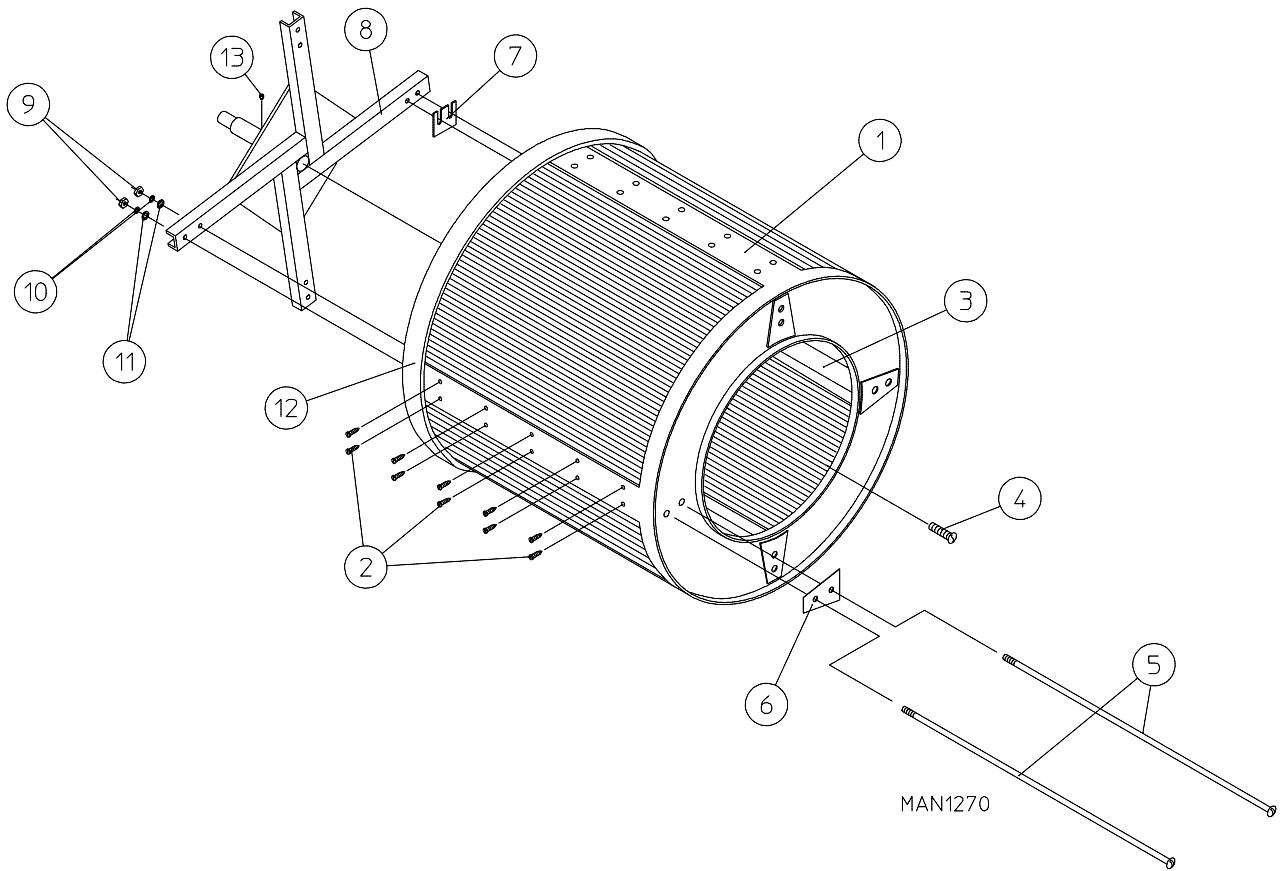
MAN0492

<u>Illus. No.</u>	<u>Part No.</u>	<u>Qty.</u>	<u>Description</u>
1	820022	1	Temperature Sensor Bracket Assembly Complete (includes illus. nos. 1 through 10)
	331295	1	Temperature Sensor Bracket ONLY
2	154007	2	1/4" Tinnerman Push On Fastener
3	880251	1	1/4" Temperature Sensor Probe Assembly (includes illus. nos. 2, 3, 8, 9, and 10)
4	152000	2	#6-32 Hex Nut
5	153010	2	#6 Star Washer
6	130112	1	225° Large Automatic Reset Thermostat ONLY
7	150005	2	#6-32 x 1/4" Phillips Round Head Machine Screw
8	121028	2	1/4" x .032 Insulated Terminal ONLY
9	122605	1	4-Pin Socket (female) Connector ONLY
10	122701	4	Socket Terminal ONLY
11	122604	1	4-Pin Connector ONLY
12	122700	4	Pin Terminal ONLY
	122801	1	Pin/Socket Extraction Tool
13	150301	2	#8-18 x 7/16" Phillips Pan Head TEK Screw



MAN1154

<u>Illus. No.</u>	<u>Part No.</u>	<u>Qty.</u>	<u>Description</u>
1	801404	1	Non-Microprocessor Sensor Bracket Assembly Complete (includes illus. nos. 1 through 11 and 15) For Gas and Electric Models ONLY
	880839	1	Non-Microprocessor Sensor Bracket Assembly Complete (includes illus. nos. 1 through 11 and 15) For Steam Models ONLY
	331295	1	Temperature Sensor Bracket ONLY
2	152000	5	#6-32 Hex Nut
3	153010	5	#6 Star Washer
4	130101	1	180° Large Thermostat (for gas and electric models Only)
	130104	1	215° Large Thermostat (for steam models Only)
5	130109	1	140° Large Thermostat (for gas and electric models Only)
	130100	1	150° Large Thermostat (for steam models Only)
6	130107	1	160° Large Thermostat (for gas and electric models Only)
	130101	1	180° Large Thermostat (for steam models Only)
7	130112	1	225° Large Automatic Reset Thermostat ONLY
8	150005	5	#6-32 x 1/4" Phillips Round Head Machine Screw
9	121028	8	1/4" x .032 Insulated Terminal ONLY
10	122605	1	4-Pin Socket (female) Connector ONLY
	840062	1	Sensor (4) Bracket Harness Assembly (includes illus. nos. 9, 10, and 11)
11	122701	4	Socket Terminal ONLY
12	122604	1	4-Pin Connector ONLY
13	122700	4	Pin Terminal ONLY
	122801	1	Pin/Socket Extraction Tool
14	150301	2	#8-18 x 7/16" Phillips Pan Head TEK Screw
15	831701	1	Sensor Jumper (4) ONLY

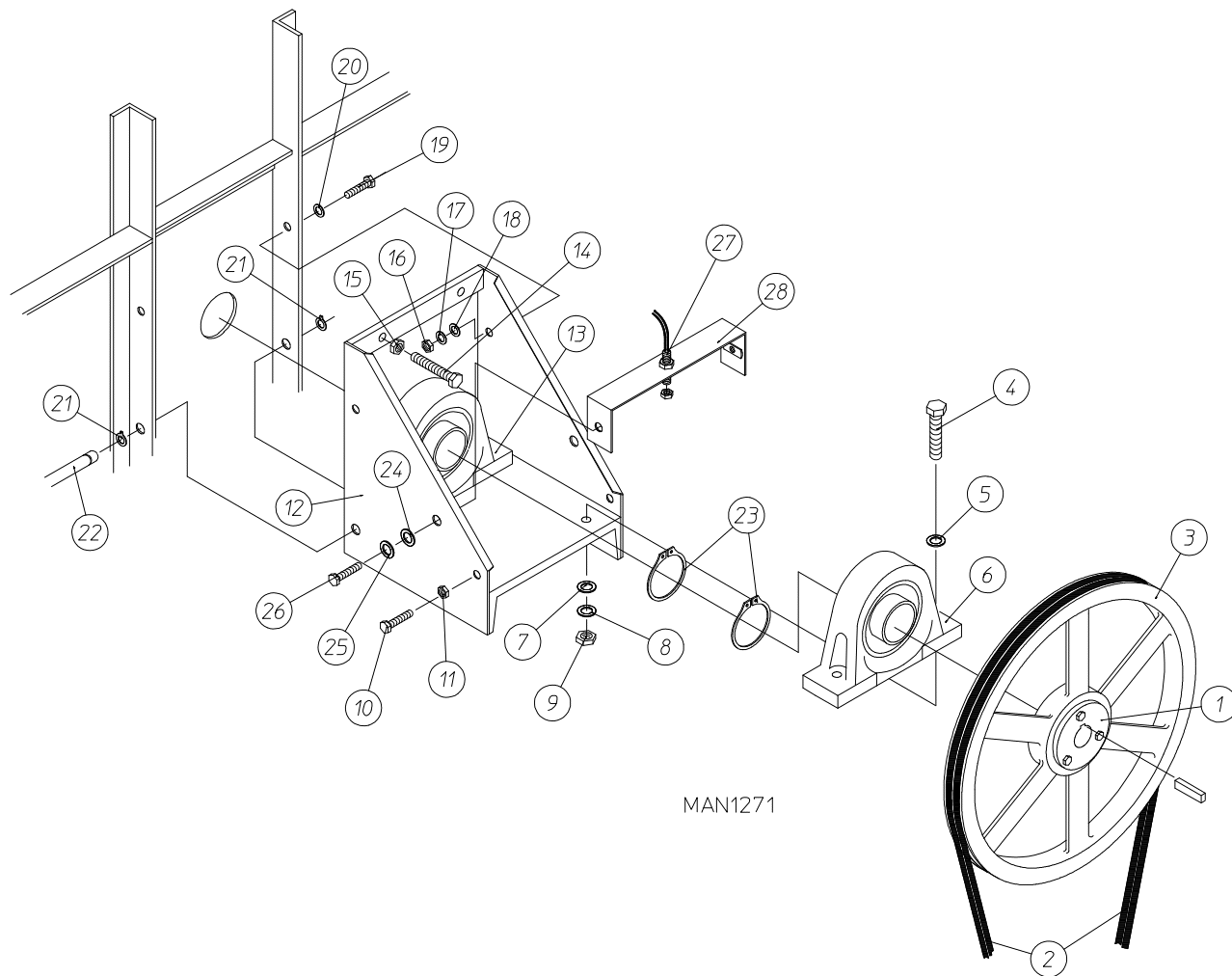


<u>Illus. No.</u>	<u>Part No.</u>	<u>Qty.</u>	<u>Description</u>
1	800707*	1	Basket (tumbler) ONLY
	800858*	1	Stainless Steel Basket (tumbler) ONLY
	800807	1	Basket (tumbler) and Support Assembly Complete (includes illus. nos. 1 through 12)
	820054**	1	Basket (tumbler) and Support Assembly Complete (includes illus. nos. 1 through 12) For Models with Rotation Sensor ONLY
	800868	1	Stainless Steel Basket (tumbler) and Support Assembly Complete (includes illus. nos. 1 through 12)
	820053**	1	Stainless Steel Basket (tumbler) and Support Assembly Complete (includes illus. nos. 1 through 12) For Models with Rotation Sensor ONLY
2	150309	40	#10-16 x 1/2" Hex Head TEK Crimptite Screw
3	301300	4	Basket (tumbler) Rib ONLY
	301400	4	Stainless Steel Basket (tumbler) Rib ONLY
4	150500	1	5/16-18 x 3/4" Socket Button Head Screw
5	100909	8	1/2-13 x 43" Tie Rod
6	301700	4	Basket (tumbler) Reinforcing Plate ONLY
7	301701	***	Basket (tumbler) Shim ONLY
8	800607	1	Basket (tumbler) Support ONLY
	880821	1	Basket (tumbler) Support ONLY (for models with rotation sensor Only)
9	152011	8	1/2-13 Hex Nut
10	153026	16	1/2" Lock Washer
11	153014	8	7/16" Flat Washer
12	116004	1	Felt Collar ONLY
--	401010	1	#847 Adhesive For Felt Collar
13	821002	1	Rotation Magnet Holder Assembly (for microprocessor models with optional rotation sensor)

* Felt collar *is not included* and **must be** ordered separately.

** Rotation Sensor Magnet Holder Assembly (illus. no. 13) **must be** purchased separately.

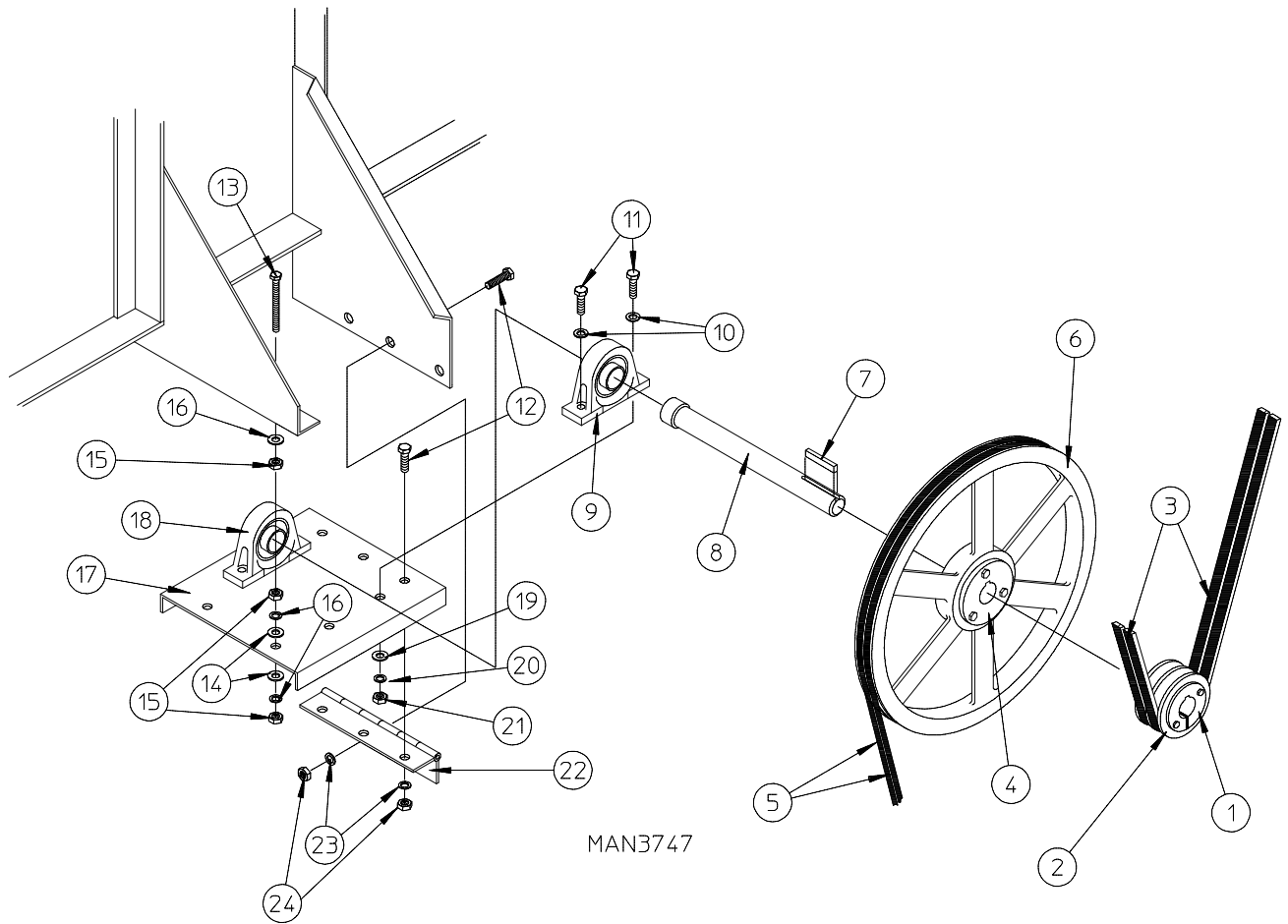
*** As required.



MAN1271

<u>Illus. No.</u>	<u>Part No.</u>	<u>Qty.</u>	<u>Description</u>
1	101108	1	2-1/4" SK Bushing
2*	100104	2	A68 V-Belt
3	101111	1	18" Basket (tumbler) Pulley
4	150602	4	5/8-11 x 3" Hex Head Machine Bolt
5	153016	4	5/8" Flat Washer
6	100204	1	2-1/4" Pillow Block Bearing ONLY
7	153016	4	5/8" Flat Washer
8	153015	4	5/8" Lock Washer
9	152010	4	5/8-11 Hex Nut
10	150600	2	3/8-16 x 1-1/2" Hex Head Machine Bolt
11	152005	2	3/8-16 Hex Nut
12	801102	1	Basket (tumbler) Bearing Mount Assembly (includes illus. nos. 4 through 13)
13	100204	1	2-1/4" Pillow Block Bearing ONLY
14	150603	2	1/2-13 x 3" Square Head Machine Bolt
15	152011	2	1/2-13 Hex Nut
16	152005	2	3/8-16 Hex Nut
17	153005	2	3/8" Lock Washer
18	153004	4	3/8" Flat Washer
19	150600	2	3/8-16 x 1-1/2" Hex Head Machine Bolt
20	153004	2	3/8" Flat Washer
21	100801	2	5/8" Retaining Ring
22	301810	1	5/8" Hinge Pin
23	100811	2	2-1/4" Retaining Ring
24	153018	2	1/4" Flat Washer
25	153007	2	1/4" Split Lock Washer
26	150512	2	1/4-20 x 1/2" Hex Head Machine Bolt
27	824807	1	Rotational Sensor Assembly
28	880841	1	Rotational Sensor Mounting Bracket

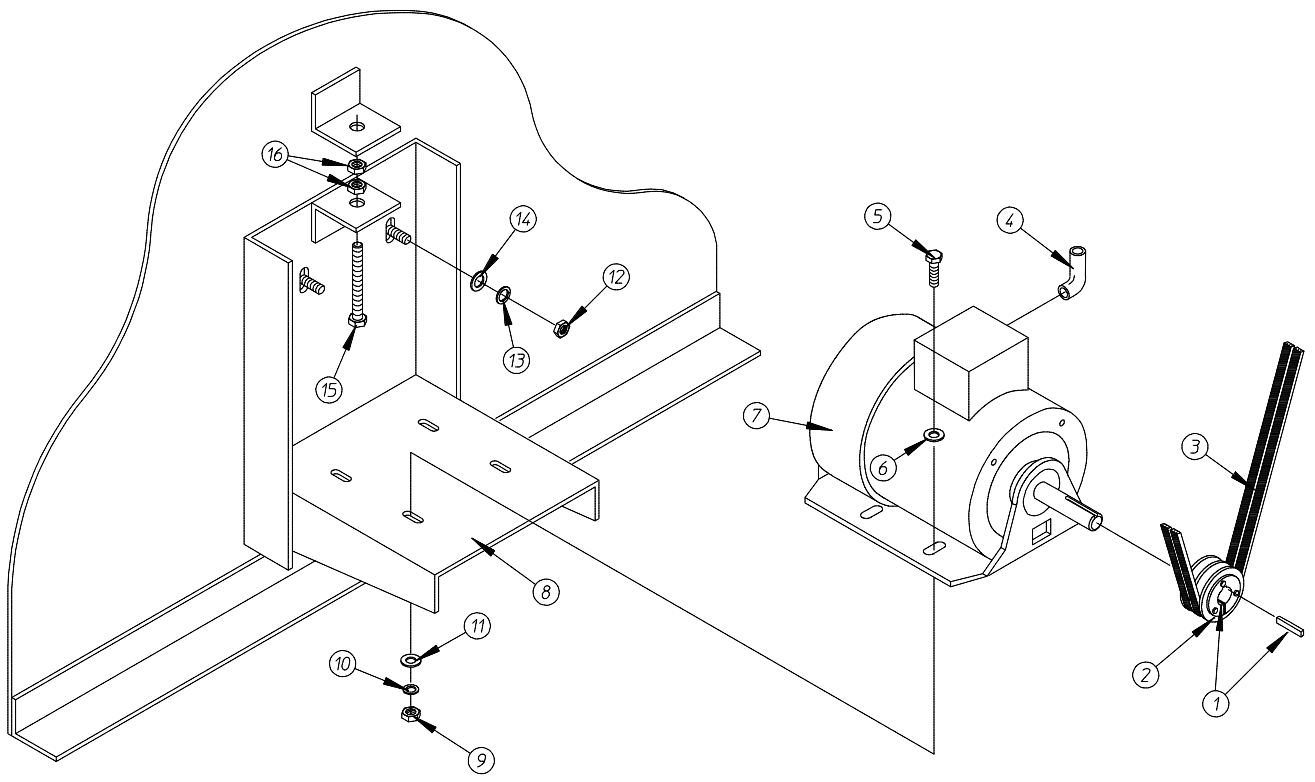
* Replace in matched sets (both belts).



MAN3747

<u>Illus. No.</u>	<u>Part No.</u>	<u>Qty.</u>	<u>Description</u>
1	101110	1	1" Bushing
2	101113	1	2A3.0 Pulley
3*	100104	2	A68 V-Belt
4	101107	1	1" SK Bushing
5*	100102	2	3V 740 V-Belt
6	101112	1	19" Idler Pulley
7	100715	1	1/4" x 1/4" x 4-5/8" Key
8	301852	1	1" Idler Shaft ONLY
9	880205	1	1" Pillow Block Bearing with Set
10	153004	4	3/8" Flat Washer
11	150600	4	3/8-16 x 1-1/2" Hex Head Machine Bolt
12	150510	6	1/4-20 x 1/2" Hex Head Machine Bolt
13	150509	2	5/16-18 x 3" Hex Head Machine Bolt
14	153001	6	5/16" Flat Washer
15	152004	6	5/16-18 Hex Nut
16	153002	4	5/16" Lock Washer
17	801001	1	Idler Bearing Mount Assembly Complete (includes illus. nos. 7 through 11 and 17 through 25)
	311401	1	Idler Bearing Mount ONLY
18	880205	1	1" Pillow Block Bearing with Set
19	153004	4	3/8" Flat Washer
20	153005	4	3/8" Lock Washer
21	152005	4	3/8-16 Hex Nut
22	103005	1	Idler Adjustment Hinge ONLY
23	153007	6	1/4" Split Lock Washer
24	152002	6	1/4-20 Hex Nut Zinc PLTD

* Replace in matched sets (both belts).



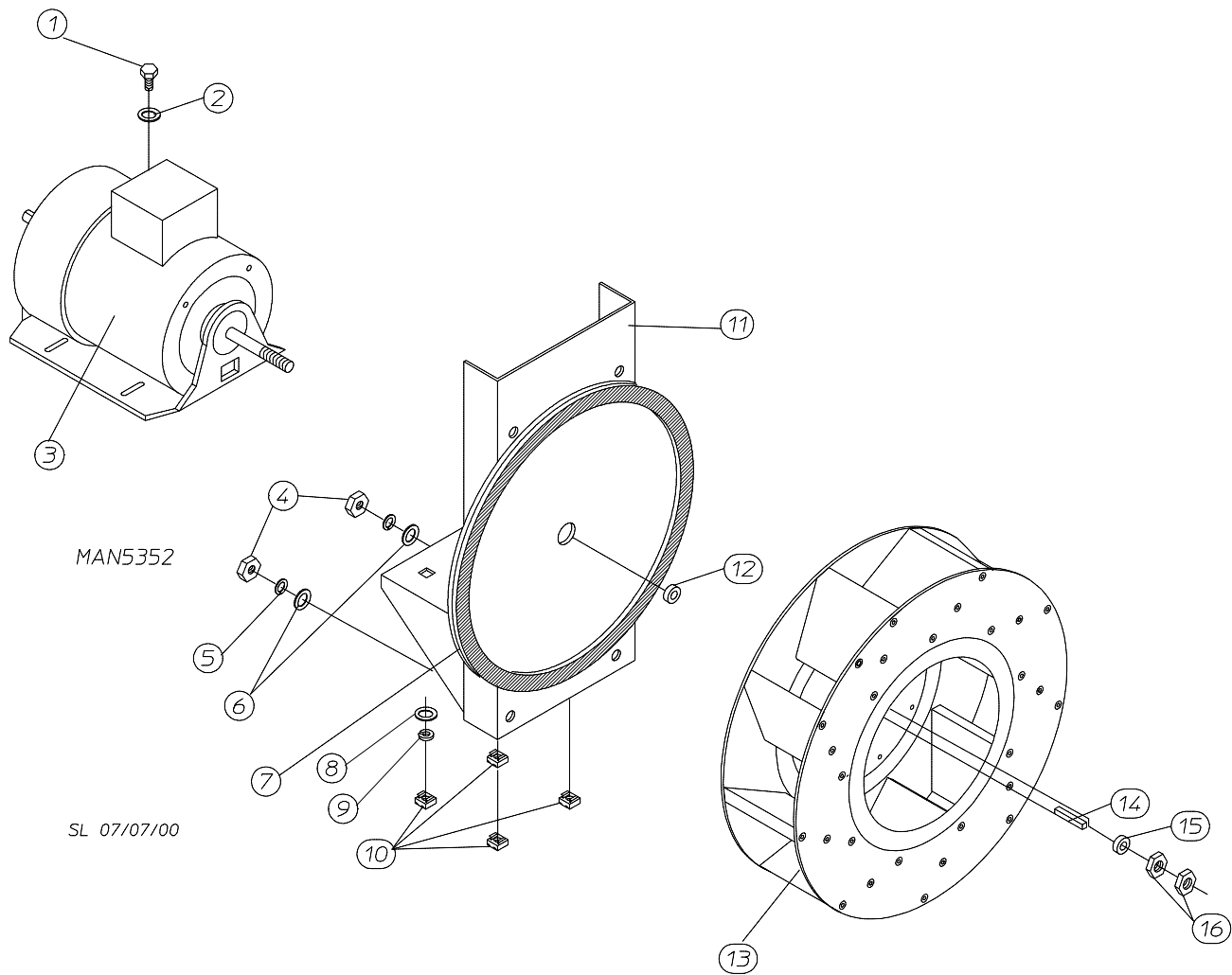
MAN0329

<u>Illus. No.</u>	<u>Part No.</u>	<u>Qty.</u>	<u>Description</u>
1	101121	1	5/8" SK Bushing
2	101114	1	2.65" Pulley (for 60 Hz models Only)
	101120	1	3.15" Pulley (for 50 Hz models Only)
3*	100102	2	3V 740 V-Belt
4	120201	1	1/2" x 90° Connector
5	150501	4	5/16-18 x 3/4" Hex Head Machine Bolt
6	153001	4	5/16" Flat Washer
7	100029	1	3/4 HP 208/230/280/460v 3Ø 50/60 Hz Totally Enclosed, Fan-Cooled (T.E.F.C.) Motor (56Z frame)
8	800952	1	Basket (tumbler) Motor Mount ONLY (56Z frame)
	800953**	1	(60 Hz) Totally Enclosed, Fan-Cooled (T.E.F.C.) Basket (tumbler) Motor Mount Assembly Complete (includes illus. nos. 1, 2, 5 through 11, 15, and 16) For 60 Hz Models ONLY
	800955**	1	(50 Hz) Totally Enclosed, Fan-Cooled (T.E.F.C.) Basket (tumbler) Motor Mount Assembly Complete (includes illus. nos. 1, 2, 5 through 11, 15, and 16) For 50 Hz Models ONLY
9	152004	4	5/16-18 Hex Nut
10	153002	4	5/16" Lock Washer
11	153001	4	5/16" Flat Washer
12	152004	4	5/16-18 Hex Nut
13	153002	4	5/16" Lock Washer
14	153001	4	5/16" Flat Washer
15	150619	1	3/18-16 x 3" Hex Head Machine Bolt
16	152005	2	3/8-16 Hex Nut

* Replace in matched sets (both belts).

** Specify voltage when ordering.

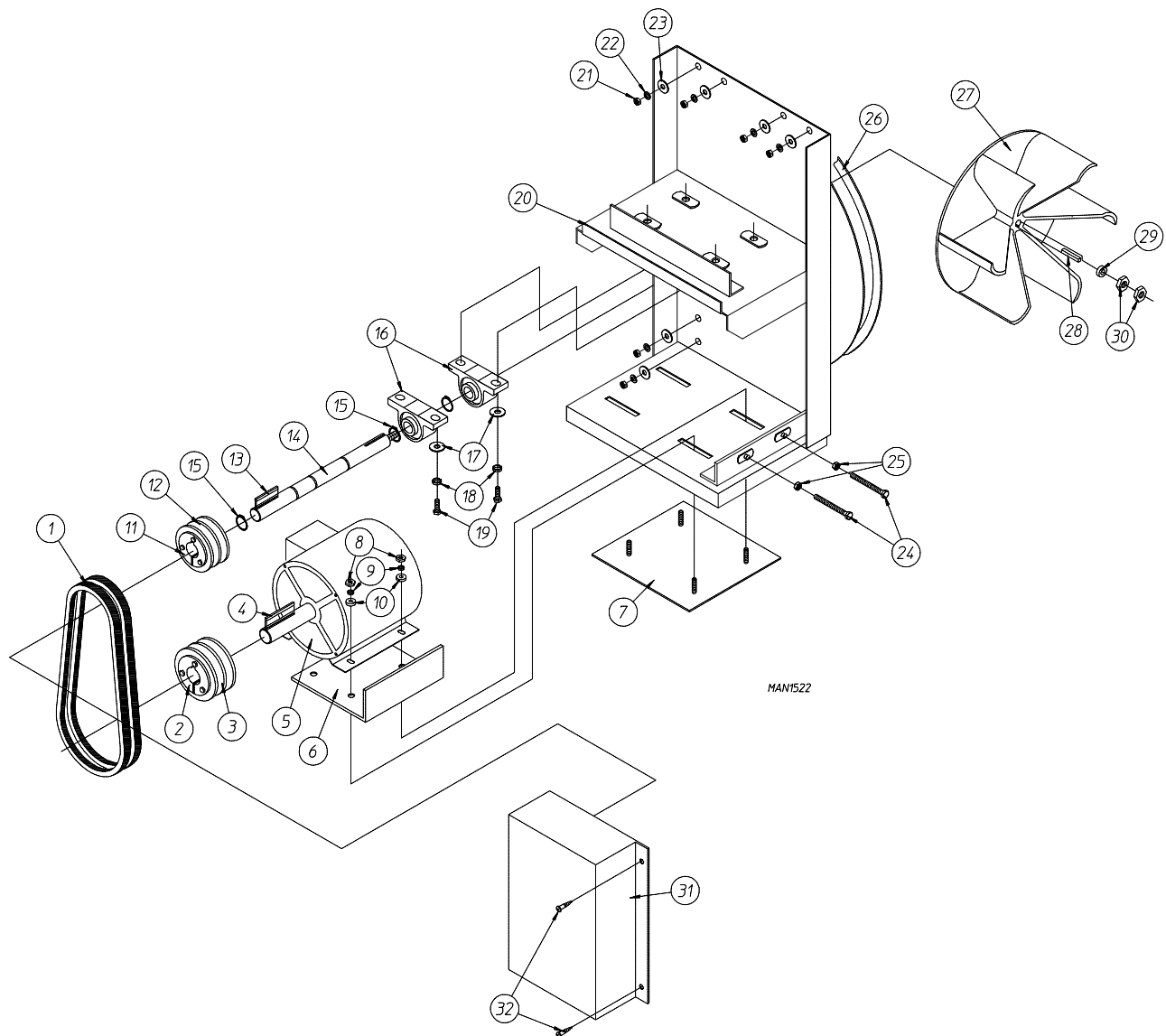
IMPORTANT: For voltages higher than 460 VAC - 50 Hz, contact the factory for correct part number of motor or motor mount assembly.



For Models Mfd. as of July 17, 2000

<u>Illus. No.</u>	<u>Part No.</u>	<u>Qty.</u>	<u>Description</u>
1	150504	4	5/16-18 x 1" Hex Head Bolt
2	153001	4	5/16" Flat Washer
3	100051	1	3 HP Motor 208/230/460v 60 Hz
	100022	1	3 HP Motor 380v 3ø 60 Hz
	100088	1	3 HP Motor 575v 3ø 60 Hz
	181043	1	3 HP Motor 208-416v 3ø 50 Hz
4	152004	4	5/16-18 Hex Nut
5	153002	4	5/16" Lock Washer
6	153001	4	5/16" Flat Washer
7	117600	4	Noise Suppressor Tape (sold by the foot)
8	153001	4	5/16" Flat Washer
9	153002	4	5/16" Lock Washer
10	152004	4	5/16-18 Hex Nut
11	803561	1	Blower Motor Mount (for models mfd. as of October 25, 2000)
	803555	1	Blower Motor Mount (for models mfd. prior to October 25, 2000)
12	153055	1	5/8" Motor Washer
13	802027	1	16" Riveted High Flow Impellor 7/8" Bore (60 Hz dryers)
	802024	1	16" Riveted Impellor 7/8" Bore (50 Hz dryers)
14	100705	1	3/16" x 3/16" x 1-3/8" Key
15	153055	1	5/8" Motor Washer
16	152006	2	1/2-20 Left Hand Jam Nut

For Gas Models ONLY Mfd. prior to July 17, 2000



<u>Illus. No.</u>	<u>Part No.</u>	<u>Qty.</u>	<u>Description</u>
1*	100119	2	5L 320 V-Belt (for 60 Hz models Only)
2	101138	1	SDS x 1-1/8" Bushing
3	101135	1	2B x 5.4 Pulley (for 72 Kw electric oven models Only)
4	100706	1	5/16" x 5/16" x 1-3/8" Key
5	100043	1	3 HP 208/230/460v 60 Hz and 380/416v 3ø 50 Hz Motor
	100081	1	3 HP 220v 3ø 50 Hz Motor
6	332198	1	Motor Adjustment Plate
7	821012	1	Motor Bolt Plate Assembly
8	152005	4	3/8-16 Hex Nut
9	153005	4	3/8" Lock Washer
10	153004	4	3/8" Flat Washer
11	101194	1	SDS x 1-3/8" Bushing (for 60 Hz models Only)
	101152	1	SH x 1-3/8" Bushing (for 50 Hz models Only)

For Gas Models ONLY Mfd. prior to July 17, 2000

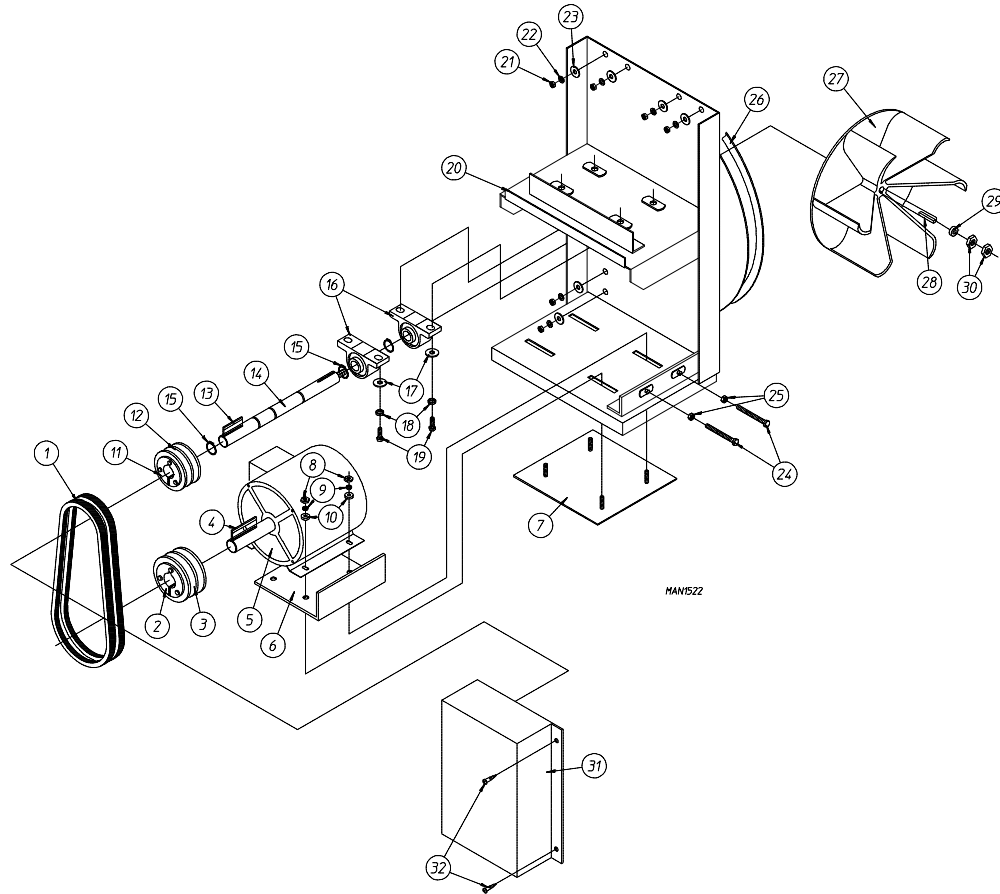
<u>Illus. No.</u>	<u>Part No.</u>	<u>Qty.</u>	<u>Description</u>
12	101147	1	2B x 5.4 Pulley (for 60 Kw electric oven models Only)
	101148	1	2B x 4.0 Pulley (for 50 Hz models Only)
13	100706	1	5/16" x 5/16" x 1-3/8" Key
14	317400	1	Impellor (fan) Shaft
15	100802	2	1-3/8" Retaining Ring
16	880879	2	1-3/8" Pillow Block Bearing with Set Screws and Grease Fitting
	154326	4	5/16 x 3/8" Allen Set Screw ONLY
	170511	2	1/8-27 N.P.T. Grease Fitting ONLY
17	153004	4	3/8" Flat Washer
18	153005	4	3/8" Lock Washer
19	150601	4	3/8-16 x 2" Hex Head Machine Bolt
20	850480	1	Blower Motor Mount ONLY
	820350*	1	Motor Mount Assembly Complete (includes illus. nos. 1 through 20 and 24 through 32) (for 60 Hz models Only)
	820252	1	Motor Mount Assembly Complete (includes illus. nos. 1 through 20 and 24 through 32) For 220v 50 Hz Models ONLY
	820351*	1	Motor Mount Assembly Complete (includes illus. nos. 1 through 20 and 24 through 32) For 380/416v 50 Hz Models ONLY
21	152005	8	3/8-16 Hex Nut
22	153005	8	3/8" Lock Washer
23	153004	8	3/8" Flat Washer
24	150609	2	1/2-13 x 4-1/2" Hex Head Machine Bolt
25	152011	2	1/2-13 Hex Nut
26	117600	4	Noise Suppressor Tape (sold by the foot)
27	882670	1	16" Fab Fan Assembly (rivets)
28	100714	1	3/16" x 3/16" x 1-7/8" Key
29	153050	1	1/2" Flat Washer
30	152006	2	1/2-20 Left Hand Jam Nut
31	820379	1	Blower Motor Mount Belt Guard
32	150309	4	#10-16 x 1/2" Hex Head TEK Crimptite Screw

* Replace in matched sets (both belts).

** Specify voltage when ordering.

IMPORTANT: For voltages higher than 460 VAC - 50 Hz, contact the factory for correct part number of motor or motor mount assembly.

For Electric Models ONLY Mfd. prior to July 17, 2000



<u>Illus. No.</u>	<u>Part No.</u>	<u>Qty.</u>	<u>Description</u>
1*	100119	2	5L 320 V-Belt (for 60 Hz models Only)
	100118	2	5L 310 V-Belt (for 50 Hz models Only)
2	101138	1	SDS x 1-1/8" Bushing
3	101147	1	2B x 5.4 Pulley (for 60 Kw electric oven models Only)
	101135	1	2B x 5.4 Pulley (for 72 Kw electric oven models Only)
	101185	1	2B x 6.2 Pulley (for 80 Kw electric oven models Only)
4	100706	1	5/16" x 5/16" x 1-3/8" Key
5	100043	1	3 HP 208/230/460v 60 Hz and 380/416v 3ø 50 Hz Motor
	100081	1	3 HP 220v 3ø 50 Hz Motor
6	332198	1	Motor Adjustment Plate
7	821012	1	Motor Bolt Plate Assembly
8	152005	4	3/8-16 Hex Nut
9	153005	4	3/8" Lock Washer
10	153004	4	3/8" Flat Washer
11	101194	1	SDS x 1-3/8" Bushing (for 60 Hz models Only)
	101152	1	SH x 1-3/8" Bushing (for 50 Hz models Only)
12	101147	1	2B x 5.4 Pulley (for 60 Kw electric oven models Only)
	101148	1	2B x 4.0 Pulley (for 50 Hz models Only)
13	100706	1	5/16" x 5/16" x 1-3/8" Key
14	317400	1	Impellor (fan) Shaft
15	100802	2	1-3/8" Retaining Ring
16	880879	2	1-3/8" Pillow Block Bearing with Set Screws and Grease Fitting
	154326	4	5/16 x 3/8" Allen Set Screw ONLY
	170511	2	1/8-27 N.P.T. Grease Fitting ONLY

For Electric Models ONLY Mfd. prior to July 17, 2000

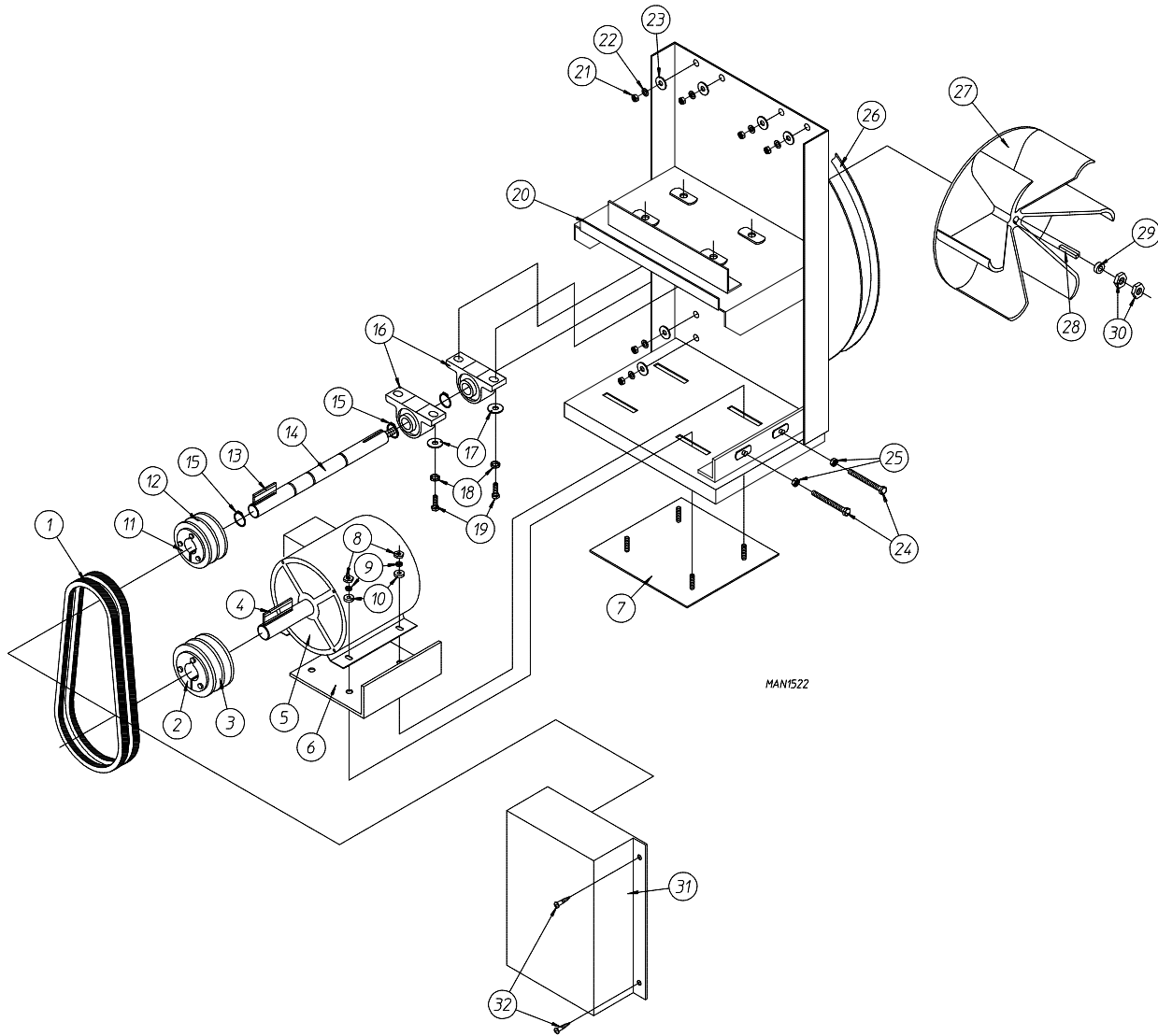
<u>Illus. No.</u>	<u>Part No.</u>	<u>Qty.</u>	<u>Description</u>
17	153004	4	3/8" Flat Washer
18	153005	4	3/8" Lock Washer
19	150601	4	3/8-16 x 2" Hex Head Machine Bolt
20	850480	1	Blower Motor Mount ONLY
	820352**	1	60 Kw Motor Mount Assembly Complete (includes illus. nos. 1 through 20 and 24 through 32) For 60 Hz Models ONLY
	820353**	1	60 Kw Motor Mount Assembly Complete (includes illus. nos. 1 through 20 and 24 through 32) For 380/416v 50 Hz Models ONLY
	820251	1	60 Kw Motor Mount Assembly Complete (includes illus. nos. 1 through 20 and 24 through 32) For 220v 50 Hz Models ONLY
	820350**	1	72 Kw Motor Mount Assembly Complete (includes illus. nos. 1 through 20 and 24 through 32) For 60 Hz Models ONLY
	820351**	1	72 Kw Motor Mount Assembly Complete (includes illus. nos. 1 through 20 and 24 through 32) For 380/416v 50 Hz Models ONLY
	820252	1	72 Kw Motor Mount Assembly Complete (includes illus. nos. 1 through 20 and 24 through 32) For 220v 50 Hz Models ONLY
	800959**	1	80 Kw Motor Mount Assembly Complete (includes illus. nos. 1 through 20 and 24 through 32) For 60 Hz Models ONLY
	800960**	1	80 Kw Motor Mount Assembly Complete (includes illus. nos. 1 through 20 and 24 through 32) For 380/416v 50 Hz Models ONLY
	820254	1	80 Kw Motor Mount Assembly Complete (includes illus. nos. 1 through 20 and 24 through 32) For 220v 50 Hz Models ONLY
21	152005	8	3/8-16 Hex Nut
22	153005	8	3/8" Lock Washer
23	153004	8	3/8" Flat Washer
24	150609	2	1/2-13 x 4-1/2" Hex Head Machine Bolt
25	152011	2	1/2-13 Hex Nut
26	117600	4	Noise Suppressor Tape (sold by the foot)
27	882670	1	16" Fab Fan Assembly (rivets)
28	100714	1	3/16" x 3/16" x 1-7/8" Key
29	153050	1	1/2" Flat Washer
30	152006	2	1/2-20 Left Hand Jam Nut
31	820379	1	Blower Motor Mount Belt Guard
32	150309	4	#10-16 x 1/2" Hex Head TEK Crimptite Screw

* Replace in matched sets (both belts).

** Specify voltage when ordering.

IMPORTANT: For voltages higher than 460 VAC - 50 Hz, contact the factory for correct part number of motor or motor mount assembly.

For Steam Models ONLY Mfd. prior to July 17, 2000



<u>Illus. No.</u>	<u>Part No.</u>	<u>Qty.</u>	<u>Description</u>
1*	100145	2	BX-32 V-Belt (for 60 Hz models Only)
	100156	2	5L 320 V-Belt (for 50 Hz models Only)
2	101138	1	SDS x 1-1/8" Bushing
3	101175	1	2B x 6.8 Pulley
4	100706	1	5/16" x 5/16" x 1-3/8" Key
5	100043	1	3 HP 208/230/460v 60 Hz and 380/416v 3ø 50 Hz Motor
	100081	1	3 HP 220v 3ø 50 Hz Motor
6	332198	1	Motor Adjustment Plate
7	821012	1	Motor Bolt Plate Assembly
8	152005	4	3/8-16 Hex Nut
9	153005	4	3/8" Lock Washer
10	153004	4	3/8" Flat Washer
11	101194	1	SDS x 1-3/8" Bushing (for 60 Hz models Only)
	101152	1	SH x 1-3/8" Bushing (for 50 Hz models Only)
12	101147	1	2B x 5.4 Pulley (for 60 Kw electric oven models Only)
	101148	1	2B x 4.0 Pulley (for 50 Hz models Only)

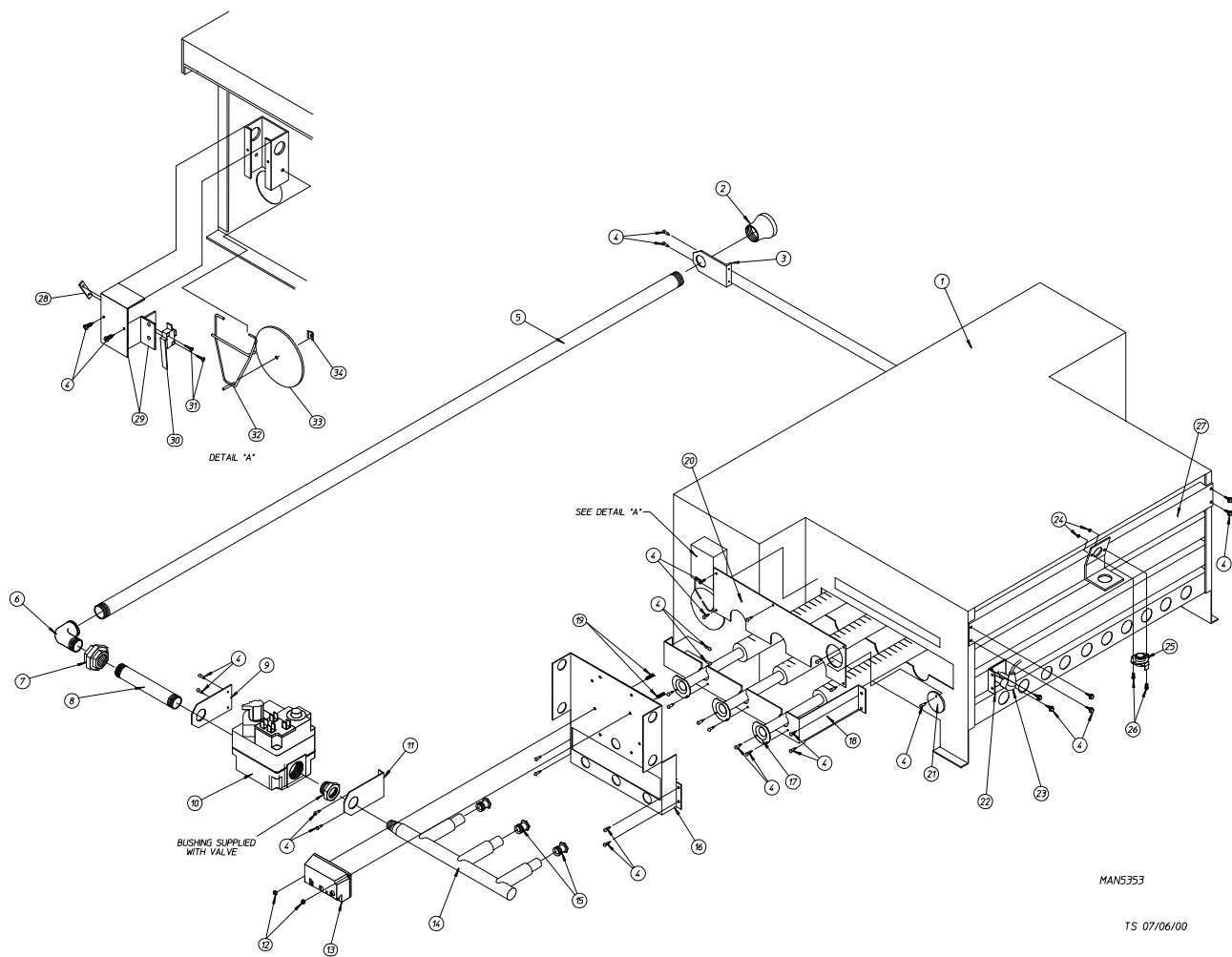
For Steam Models ONLY Mfd. prior to July 17, 2000

<u>Illus. No.</u>	<u>Part No.</u>	<u>Qty.</u>	<u>Description</u>
13	100706	1	5/16" x 5/16" x 1-3/8" Key
14	317400	1	Impellor (fan) Shaft
15	100802	2	1-3/8" Retaining Ring
16	880879	2	1-3/8" Pillow Block Bearing with Set Screws and Grease Fitting
	154326	4	5/16 x 3/8" Allen Set Screw ONLY
	170511	2	1/8-27 N.P.T. Grease Fitting ONLY
17	153004	4	3/8" Flat Washer
18	153005	4	3/8" Lock Washer
19	150601	4	3/8-16 x 2" Hex Head Machine Bolt
20	850480	1	Blower Motor Mount ONLY
	820383**	1	Motor Mount Assembly Complete (includes illus. nos. 1 through 20 and 24 through 32) For 60 Hz Models ONLY
	820253	1	Motor Mount Assembly Complete (includes illus. nos. 1 through 20 and 24 through 32) For 220v 50 Hz Models ONLY
	820384**	1	Motor Mount Assembly Complete (includes illus. nos. 1 through 20 and 24 through 32) For 380/416v 50 Hz Models ONLY
21	152005	8	3/8-16 Hex Nut
22	153005	8	3/8" Lock Washer
23	153004	8	3/8" Flat Washer
24	150609	2	1/2-13 x 4-1/2" Hex Head Machine Bolt
25	152011	2	1/2-13 Hex Nut
26	117600	4	Noise Suppressor Tape (sold by the foot)
27	882670	1	16" Fab Fan Assembly (rivets)
28	100714	1	3/16" x 3/16" x 1-7/8" Key
29	153050	1	1/2" Flat Washer
30	152006	2	1/2-20 Left Hand Jam Nut
31	820379	1	Blower Motor Mount Belt Guard
32	150309	4	#10-16 x 1/2" Hex Head TEK Crimptite Screw

* Replace in matched sets (both belts).

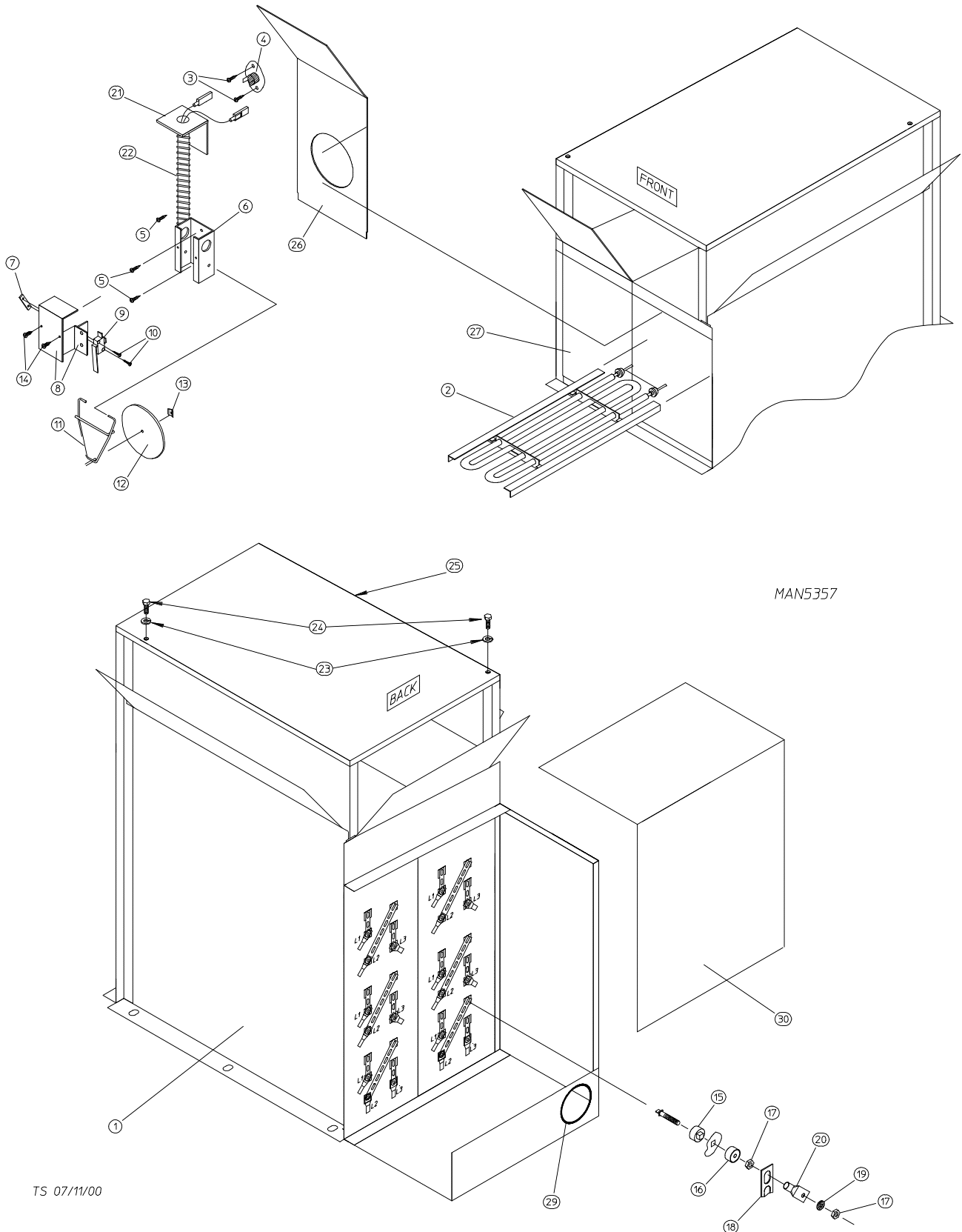
** Specify voltage when ordering.

IMPORTANT: For voltages higher than 460 VAC - 50 Hz, contact the factory for correct part number of motor or motor mount assembly.



For Gas Models ONLY

<u>Illus. No.</u>	<u>Part No.</u>	<u>Qty.</u>	<u>Description</u>
1	882728	1	Direct Spark Ignition (DSI) Natural Gas Burner Assembly Complete Less Orifices
	882729	1	Direct Spark Ignition (DSI) Liquid Propane (L.P.) Burner Assembly Complete Less Orifices
	820201	1	Burner Box ONLY
2	142924	1	1" to 3/4" Reducing Coupling
3	331291	1	Pipe Bracket
4	150309	34	#10-16 x 1/2" Hex Head TEK Crimptite Screw
5	142807	1	3/4" x 40" Nipple
6	142854	1	3/4" Street Elbow
7	142601	1	3/4" Union
8	142710	1	3/4" x 4" Nipple
9	331089	1	Extended Pipe Bracket Flat
10	140026	1	Direct Spark Ignition (DSI) 3/4" 24 VAC Redundant (natural gas) Gas Valve
11	331088	1	Extended Pipe Bracket (bent)
12	152013	2	#6-32 Hex Nut 1/4 ATF Zinc PLTD
13	128935	1	Direct Spark Ignition (DSI) Module with 3 Tries
14	141208	1	3-Port Manifold
15	140844	3	Burner Orifice
16	335031	1	Direct Spark Ignition (DSI) Mount Manifold Rest
17	141110	3	Burner Tube ONLY
18	331287	1	Burner Tube Support ONLY
19	153562	2	#6-32 x 3/4" Clinch Stud
20	331289	1	Burner Box
21	331290	1	Ignitor/Flame-Probe Sight Hole Disc. ONLY
22	128915	1	Ignitor/Flame-Probe Assembly
23	880330	1	Ignitor Cable 36"
24	151000	2	#6-32 Pal Nut
25	130201	1	330° Manual Reset Hi-Limit ONLY
26	150001	2	#6-32 x 1/2" Right Hand Machine Screw
27	821457	1	Hi-Limit Bracket
28	154004	1	Twin Speed Nut
29	802799	1	Sail Switch Box Cover and Bracket ONLY
30	122200	1	Sail Switch ONLY
31	150303	2	#4 x 3/4" Pan Head "A" Machine Screw
32	105500	1	Sail Switch Actuator Rod
33	319202	1	Sail Switch Damper (flat)
34	154002	1	1/8" Push On Fastener



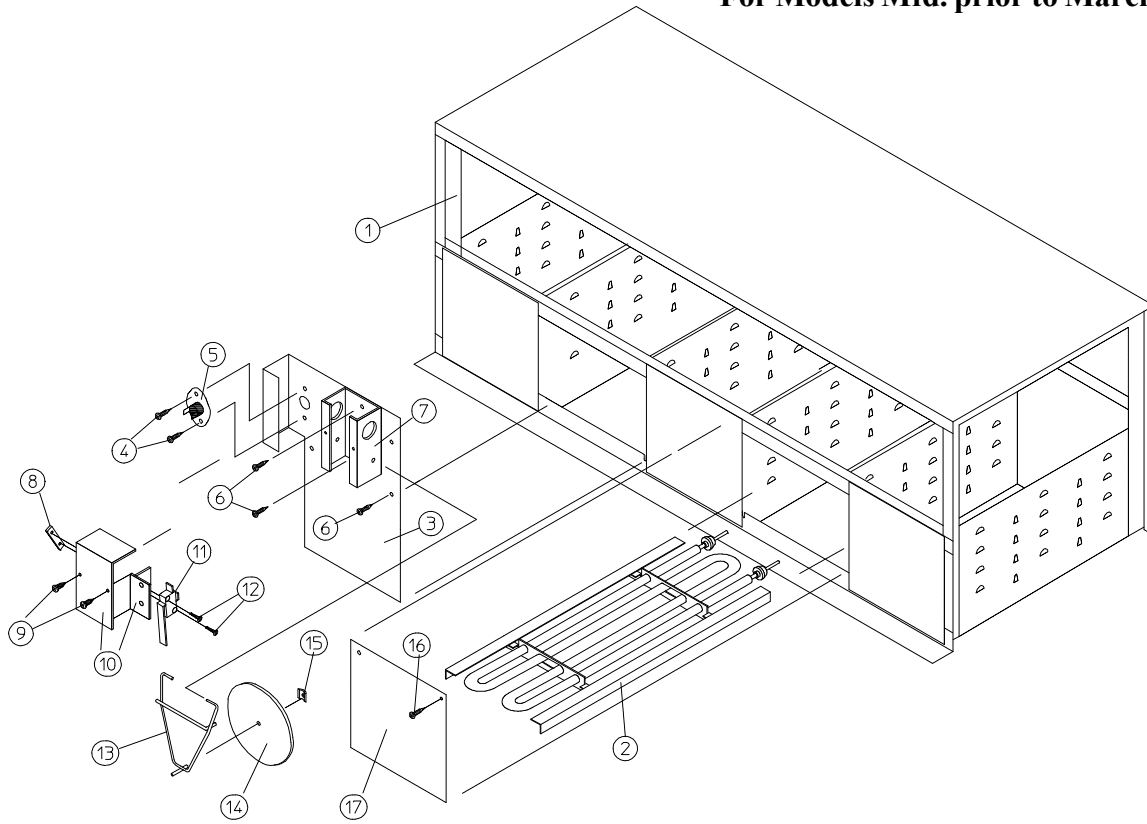
TS 07/11/00

For Models Mfd. as of March 24, 2000

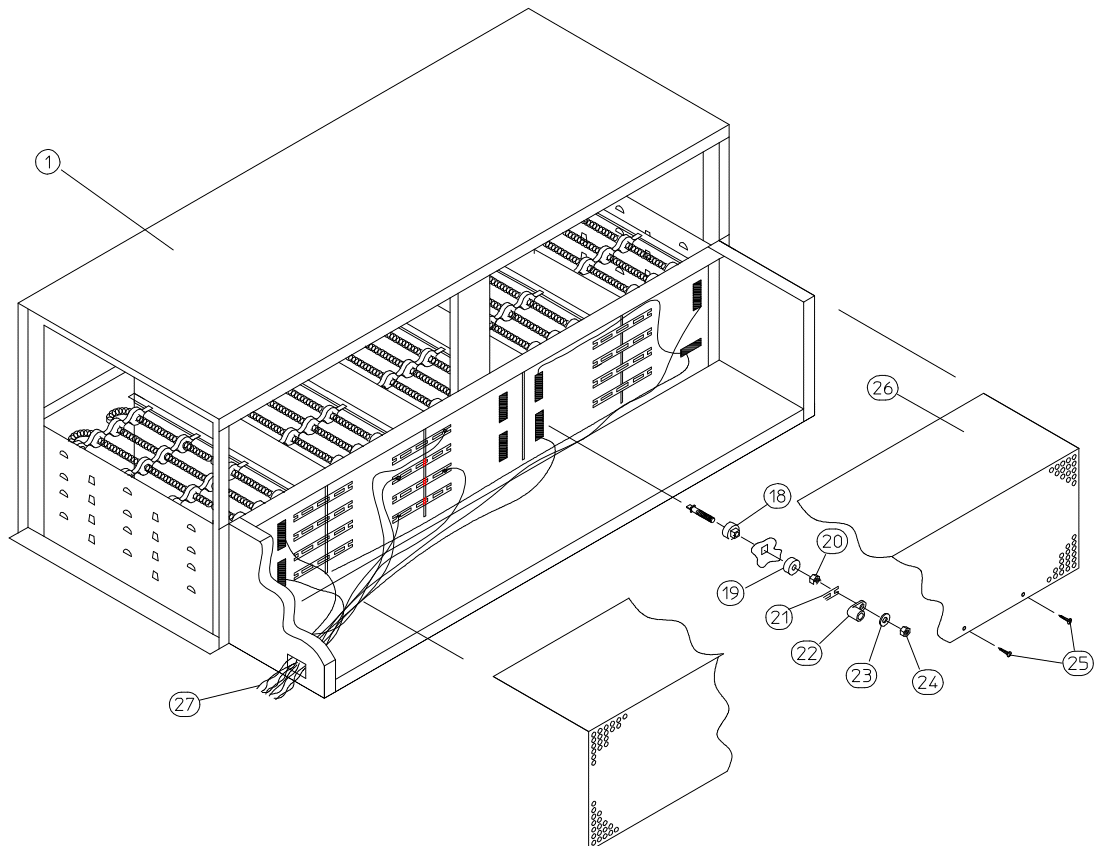
<u>Illus. No.</u>	<u>Part No.</u>	<u>Qty.</u>	<u>Description</u>
1	882732	1	Electric Oven Box ONLY
2	-----*	18	3.3 KW at 208V Open Coil Element
3	150301	2	#8-18 x 7/16" Phillips Pan Head TEK Screw
4	130400	1	290° Hi-Limit ONLY
5	150309	4	#10-16 x 1/2" Hex Head TEK Crimptite Screw
6	319200	1	Sail Switch Box
7	154004	1	Twin Speed Nut
8	802799	1	Sail Switch Box Cover and Bracket ONLY
9	122200	1	Sail Switch ONLY
10	150303	2	#4 x 3/4" Pan Head "A" Machine Screw
11	105500	1	Sail Switch Actuator Rod
12	319202	1	Sail Switch Damper (flat)
13	154002	1	1/8" Push On Fastener
14	150309	28	#10-16 x 1/2" Hex Head TEK Crimptite Screw
15	120081	36	Internal Ceramic Insulator
16	120080	36	External Ceramic Insulator
17	152008	72	#10-32 Hex Nut
18	121011	6'	Bus Bar (sold by the foot)
19	153009	36	#10 Star Washer
20	353222	1	Pipe Bracket
21	815706	1	Hi-Limit and Sail Switch Harness
22	153007	2	1/4" Split Lock Washer
23	150512	2	1/4-20 x 1/2" Hex Head Machine Bolt
24	882733	1	Burner Cover Assembly
25	331278	1	Right Front Oven Panel
26	331276	1	Left Front Oven Panel
27	-----*	1	#8 Oven Assembly Wiring
28	156001	1	Caterpillar Grommet
29	331279	1	Oven Electrical Cover

* Refer to **60 Kw and 72 Kw Electric Oven Component Application Charts** on page 52.

For Models Mfd. prior to March 24, 2000



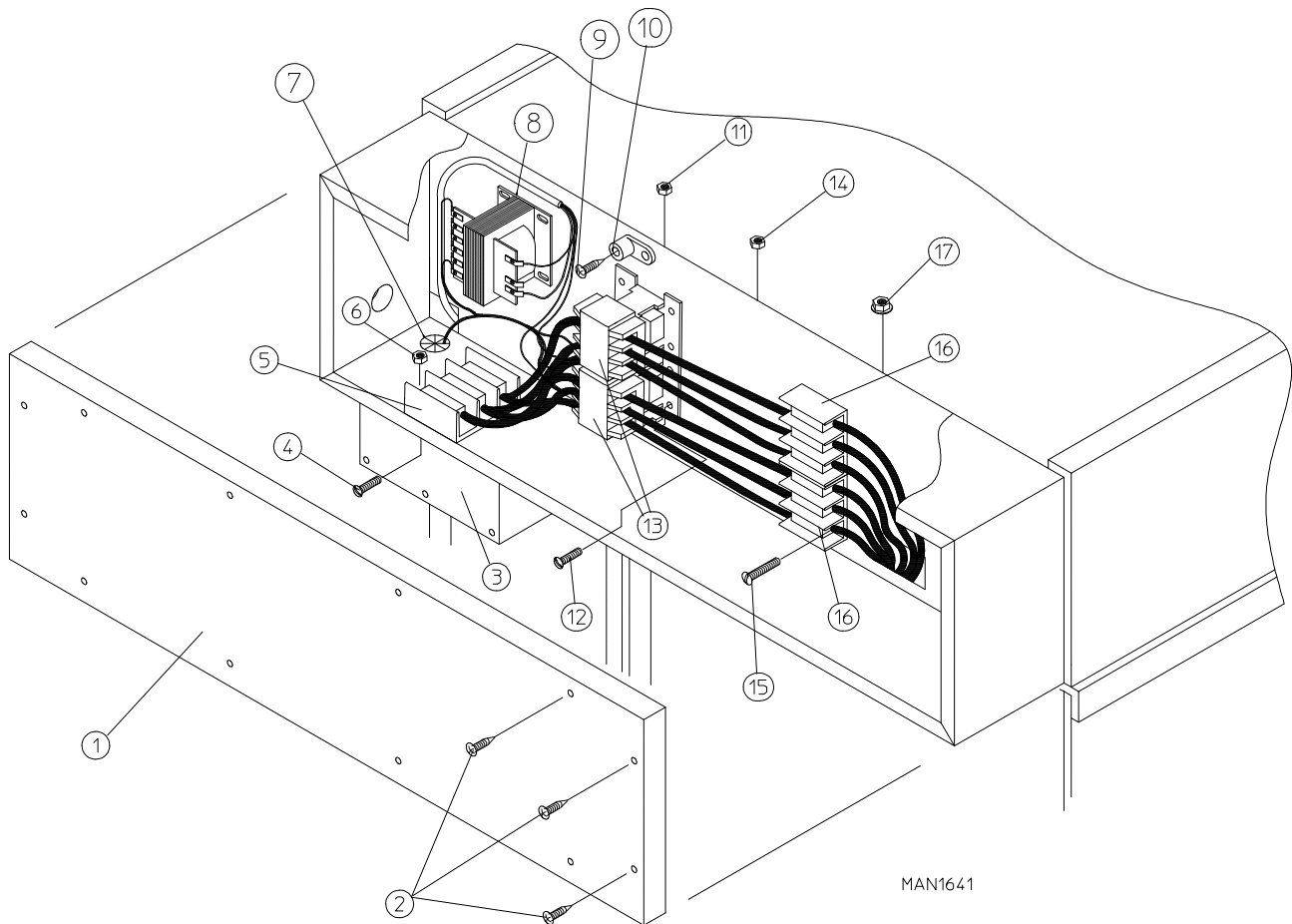
MAN1638



For Models Mfd. prior to March 24, 2000

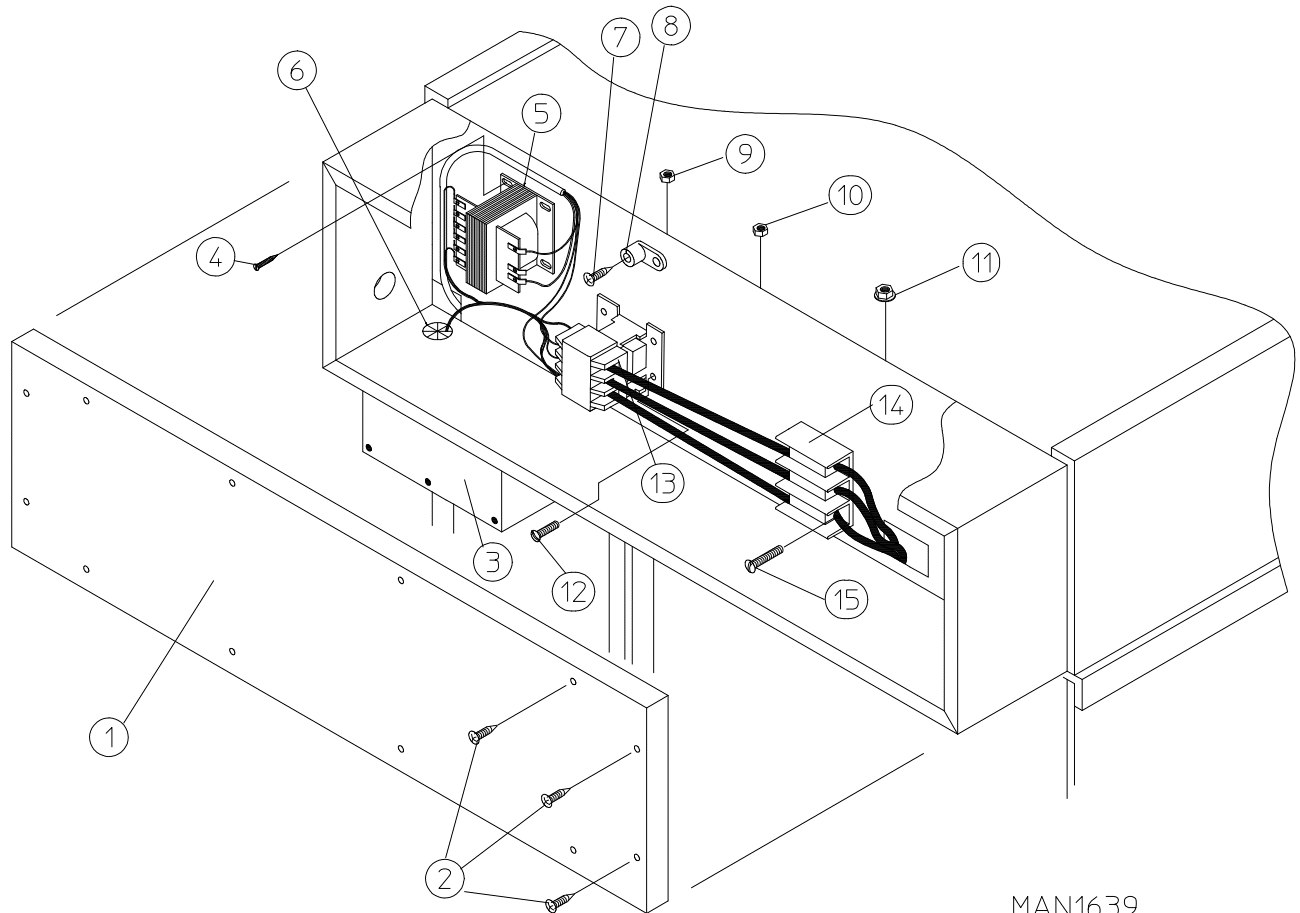
<u>Illus. No.</u>	<u>Part No.</u>	<u>Qty.</u>	<u>Description</u>
1	803015	1	Electric Oven Box ONLY
	-----*	1	Electric Oven Assembly Complete
2	-----*	18	Electric Element
3	802802	1	Safety Control Bracket ONLY
4	150301	2	#8-18 x 7/16" Phillips Pan Head TEK Screw
5	130400	1	290° Hi-Limit ONLY
6	150309	4	#10-16 x 1/2" Hex Head TEK Crimptite Screw
7	802800	1	Sail Switch Box with Cover and Bracket ONLY
	802801	1	Sail Switch Box Assembly Complete (includes illus. nos. 7 through 15)
8	154004	1	Twin Speed Nut
9	150309	2	#10-16 x 1/2" Hex Head TEK Crimptite Screw
10	802799	1	Sail Switch Box Cover and Bracket ONLY
11	122200	1	Sail Switch ONLY
12	150303	2	#4 x 3/4" Pan Head "A" Machine Screw
13	105500	1	Sail Switch Actuator Rod
14	319202	1	Sail Switch Damper (flat)
15	154002	1	1/8" Push On Fastener
16	150309	8	#10-16 x 1/2" Hex Head TEK Crimptite Screw
17	803101	4	Element Cover ONLY
18	120081	36	Internal Ceramic Insulator
19	120080	36	External Ceramic Insulator
20	152008	36	#10-32 Hex Nut
21	121011*	--	Bus Bar (sold by the foot)
22	121010*	--	L70-14-4 Ground Lug
23	153009	36	#10 Star Washer
24	152008	36	#10-32 Hex Nut
25	150309	14	#10-16 x 1/2" Hex Head TEK Crimptite Screw
26	320822	1	Cover ONLY
27	-----*	--	Oven Wire (sold by the foot)

* Refer to **60 Kw and 72 Kw Electric Oven Component Application Charts** on **page 52**.



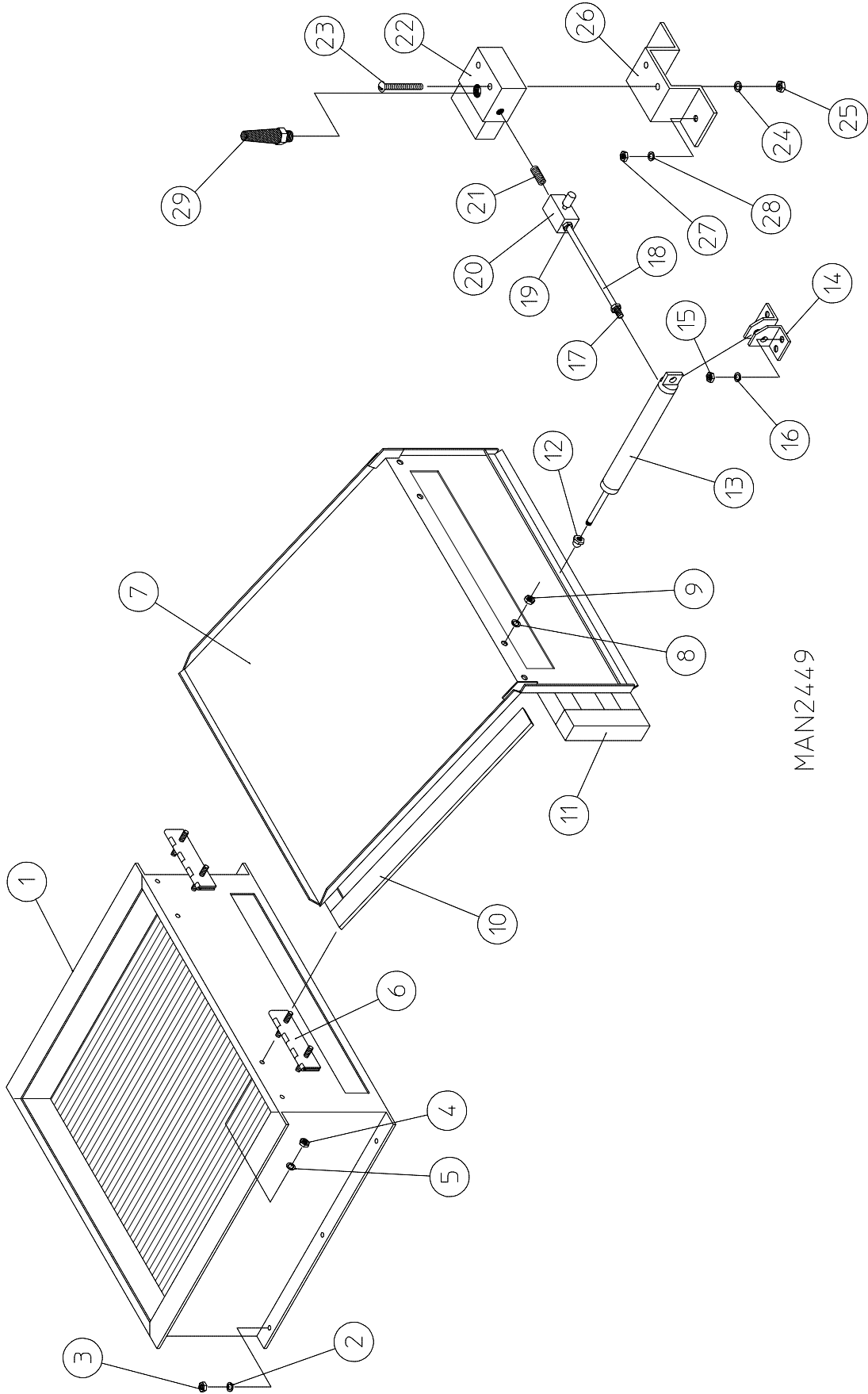
<u>Illus. No.</u>	<u>Part No.</u>	<u>Qty.</u>	<u>Description</u>
1	320908	1	Electric Oven Relay Box Cover
2	150301	12	#8-18 x 7/16" Phillips Pan Head TEK Screw
3	322808	1	Control Box Cover Plate ONLY
4	150108	2	#8-32 x 1/2" Phillips Pan Head Machine Screw
5	120710	1	Power Distribution Block
6	151001	2	#8-32 Pal Nut
7	121400	2	Universal Bushing
8	132004	1	Transformer (for ALL microprocessor controller [computer] models and timer models)
9	150108	1	#8-32 x 1/2" Phillips Pan Head Machine Screw
10	121010	1	L70-14-4 Ground Lug
11	151001	1	#8-32 Pal Nut
12	150108	3	#8-32 x 1/2" Phillips Pan Head Machine Screw
13	131385	2	120-Amp, 24 VAC Relay
14	151001	3	#8-32 Pal Nut
15	150521	4	1/4-20 x 2" Carriage Bolt
16	120706	2	Power Distribution Block
17	152014	4	1/4-20 Free Spin Wash Nut

380/416/480 VAC 3Ø 50/60 Hz



MAN1639

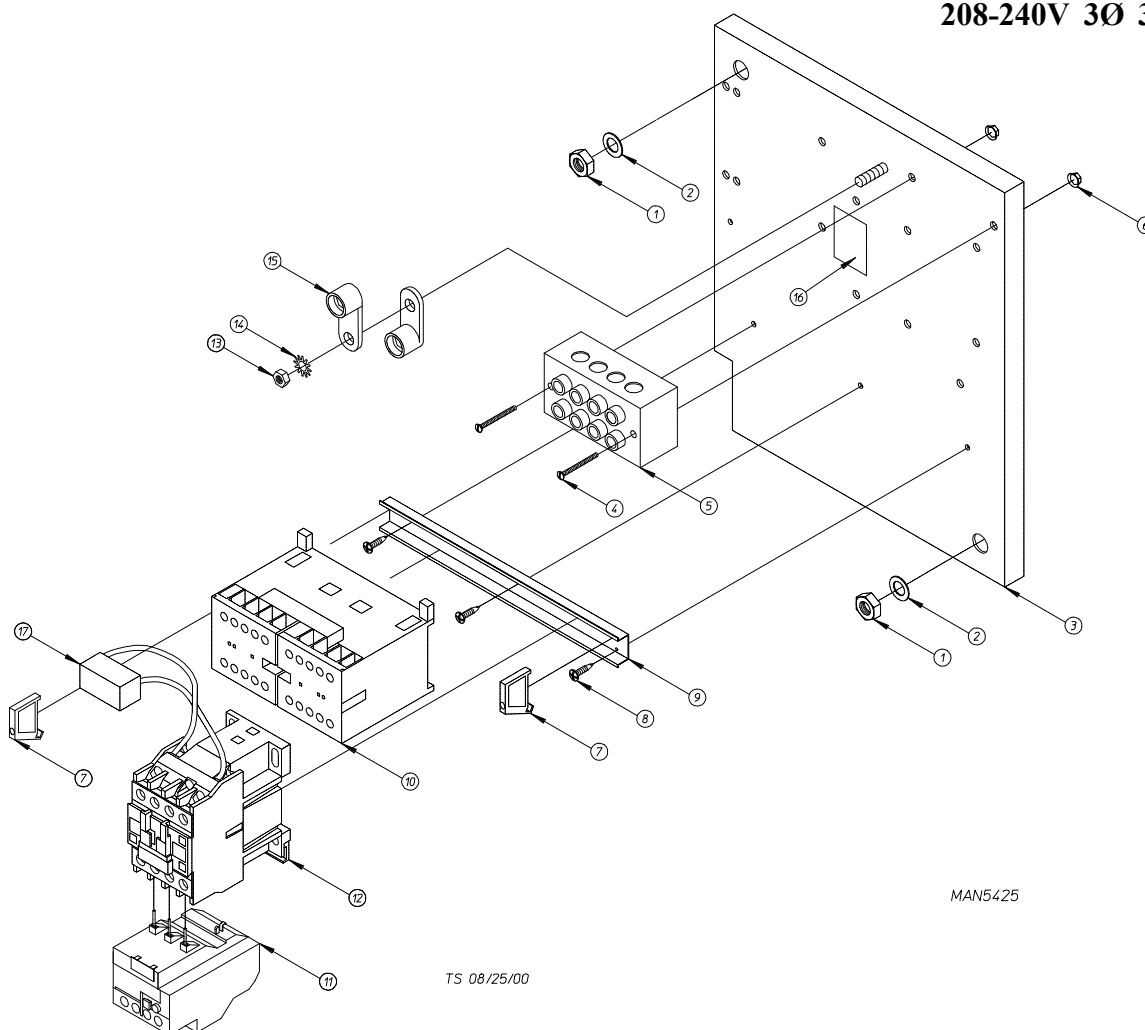
<u>Illus. No.</u>	<u>Part No.</u>	<u>Qty.</u>	<u>Description</u>
1	320908	1	Electric Oven Relay Box Cover
2	150301	12	#8-18 x 7/16" Phillips Pan Head TEK Screw
3	322808	1	Control Box Cover Plate ONLY
4	150300	3	#10 x 1/2" Hex Washer TEK Screw
5	132004	1	Transformer (for ALL electric models - 380 VAC through 480 VAC)
6	121400	2	Universal Bushing
7	150108	3	#8-32 x 1/2" Phillips Pan Head Machine Screw
8	121010	1	L70-14-4 Ground Lug
9	151001	1	#8-32 Pal Nut
10	151001	3	#8-32 Pal Nut
11	152014	2	1/4-20 Free Spin Wash Nut
12	150108	1	#8-32 x 1/2" Phillips Pan Head Machine Screw
13	131385	1	120-Amp, 24 VAC Relay
14	120706	1	Power Distribution Block
15	150521	2	1/4-20 x 2" Carriage Bolt



MAN2449

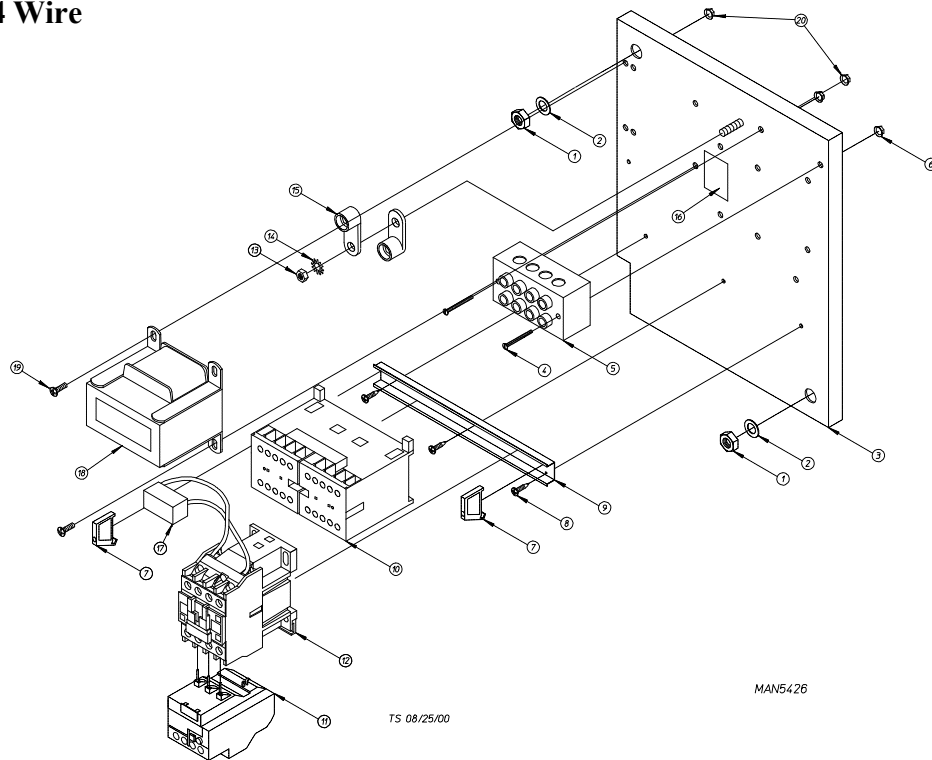
<u>Illus. No.</u>	<u>Part No.</u>	<u>Qty.</u>	<u>Description</u>
1	165012	1	Steam Coil Assembly
	165019	1	Steel Steam Coil Assembly
2	153002	6	5/16" Lock Washer
3	152004	6	5/16-18 Hex Nut
4	152002	4	1/4-20 Hex Nut Zinc PLTD
5	153007	4	1/4" Split Lock Washer
6	820321	2	Steam Damper Hinge Assembly
7	820320	1	Steam Damper Assembly (includes illus. nos. 7, 10, and 11)
8	153007	4	1/4" Split Lock Washer
9	152002	4	1/4-20 Hex Nut Zinc PLTD
10	115995	84	Steam Damper Gasket (sold by the inch)
11	102350	1	Steam Damper Foam (68-1/2" length)
12	151007	1	7/16-20 Stainless Steel Acorn Nut
13	100499	1	1-1/2" Bore x 3" Stroke Piston
14	100500	1	Piston Support Bracket
15	152002	4	1/4-20 Hex Nut Zinc PLTD
16	153007	4	1/4" Split Lock Washer
17	100472	1	1/4" x 1/8" Connector
18	143110	1	1/4" Tubing (sold by the foot)
19	100472	1	1/4" x 1/8" Connector
20	100496	1	1/8" Needle Valve
21	143238	1	1/8" Close Nipple
22	100498	1	3-Way Micro Valve - 24 VAC
23	150002	2	#6-32 x 1" Phillips Round Head Machine Screw
24	153010	2	#6 Star Washer
25	152000	2	#6-32 Hex Nut
26	330987	1	Micro Valve Support Bracket
27	152002	2	1/4-20 Hex Nut Zinc PLTD
28	153007	2	1/4" Split Lock Washer
29	100520	1	1/8" N.P.T. Silencer (muffler)

208-240V 3Ø 3 Wire



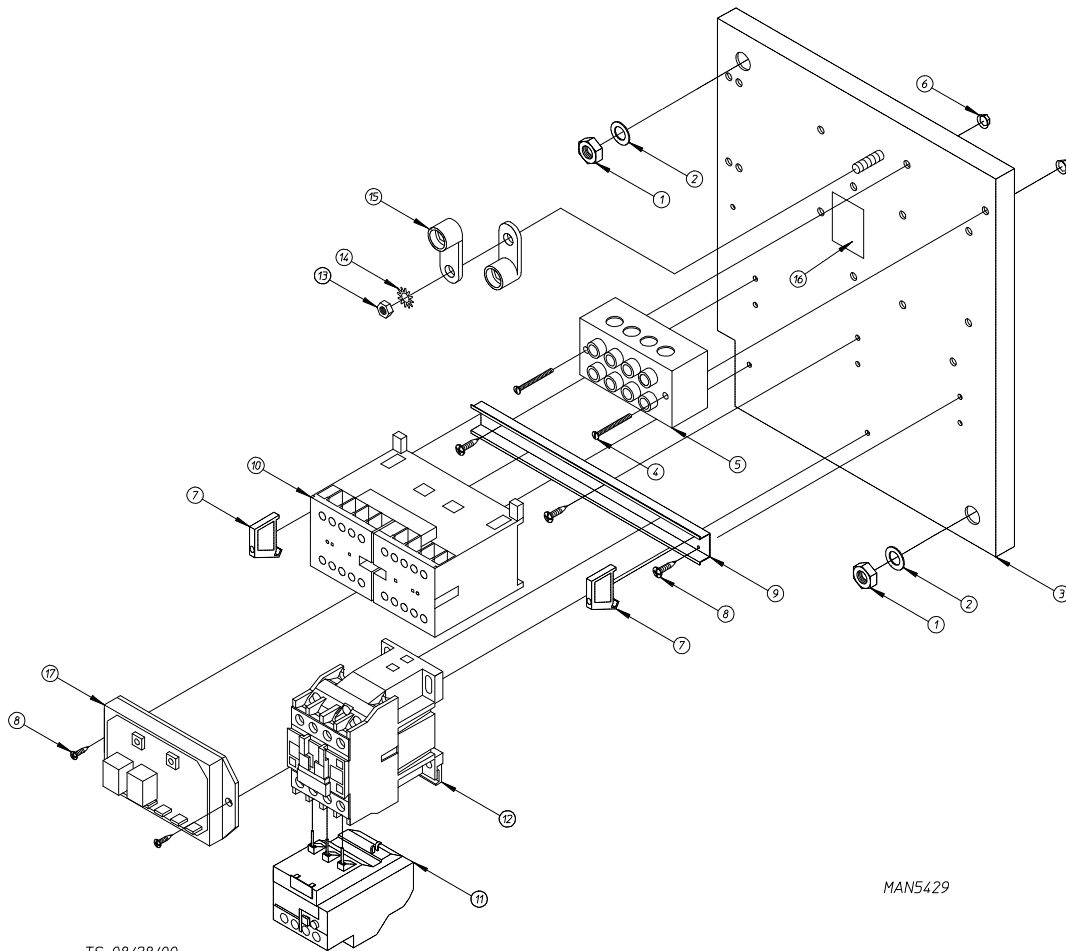
<u>Illus. No.</u>	<u>Part No.</u>	<u>Qty.</u>	<u>Description</u>
1	152004	2	5/16-18 Hex Nut
2	153002	2	5/16" Lock Washer
3	803632	1	Relay Panel
4	150008	2	#6-32 x 1-1/4" Round Head Machine Screw
5	120701	1	4-Position Terminal Block
6	151000	2	#6-32 Pal Nut
7	120765	2	End Stop
8	150301	3	#8-18 x 7/16" Phillips Pan Head TEK Screw
9	120768	7-3/4"	35 x 15 mm Din Mounting Rail
10	132458	1	Reversing Contactor with Coil Suppression
11	132436	1	7-10A Overload
12	132445	1	3 HP Contactor
13	152002	1	1/4-20 Hex Nut Zinc PLTD
14	153021	1	1/4" Shake Proof Washer
15	121010	2	L70-14-4 Ground Lug
16	112075	1	Ground Here Label
17	137015	1	Arc Suppressor (A.S.) with 3" Insulated Leads
*	803631	1	Panel Wiring (no Arc Suppressor [A.S.] Board)
*	824732	1	Drive Contactor Wiring
*	824731	1	Blower Contactor Wiring

575V 3Ø 3.4 Wire



<u>Illus. No.</u>	<u>Part No.</u>	<u>Qty.</u>	<u>Description</u>
1	152004	2	5/16-18 Hex Nut
2	153002	2	5/16" Lock Washer
3	803632	1	Relay Panel
4	150008	2	#6-32 x 1-1/4" Round Head Machine Screw
5	120701	1	4-Position Terminal Block
6	151000	2	#6-32 Pal Nut
7	120765	2	End Stop
8	150301	3	#8-18 x 7/16" Phillips Pan Head TEK Screw
9	120768	7-3/4"	35 x 15 mm Din Mounting Rail
10	132458	1	Reversing Contactor with Coil Suppression
11	132468	1	4-6A Overload
12	132445	1	3 HP Contactor
13	152002	1	1/4-20 Hex Nut Zinc PLTD
14	153021	1	1/4" Shake Proof Washer
15	121010	2	L70-14-4 Ground Lug
16	112075	1	Ground Here Label
17	137015	1	Arc Suppressor (A.S.) with 3 Insulated Leads
18	803693	1	380V Transformer Assembly
	803702	1	416V Transformer Assembly
	803701	1	460-480V Transformer Assembly
	803703	1	575V Transformer Assembly
19	150108	2	#8-32 x 1/2" Phillips Pan Head Machine Screw
20	151001	2	#8-32 Pal Nut
*	803641	1	Panel Wiring (no Arc Suppressor [A.S.] Board)
*	824732	1	Drive Contactor Wiring
*	824731	1	Blower Contactor Wiring

* Not illustrated.

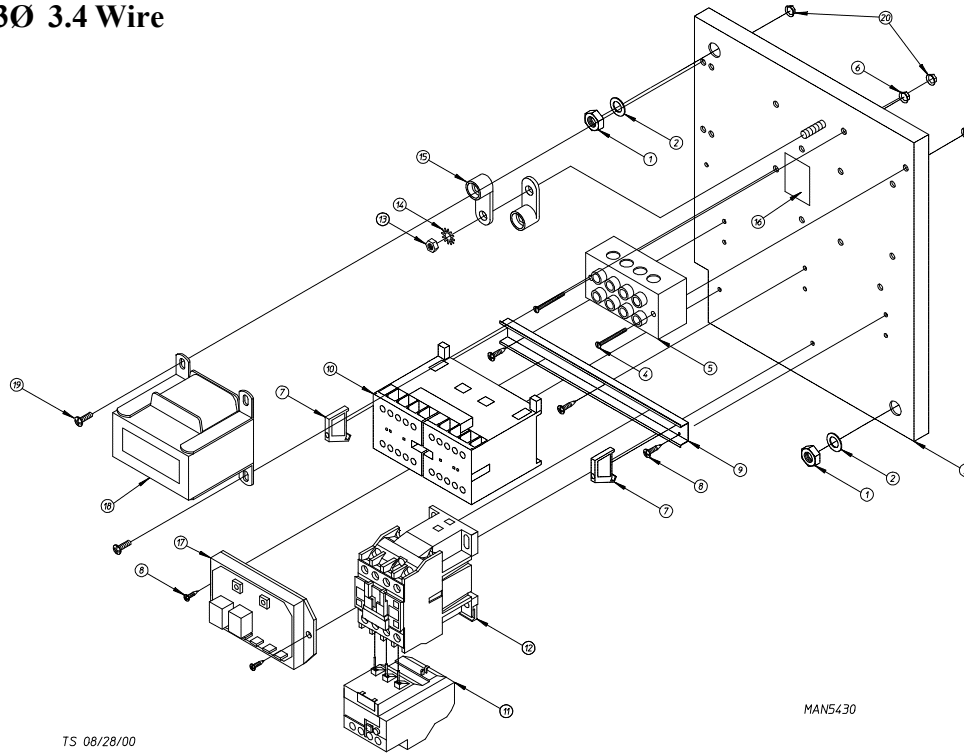


TS 08/28/00

MAN5429

<u>Illus. No.</u>	<u>Part No.</u>	<u>Qty.</u>	<u>Description</u>
1	152004	2	5/16-18 Hex Nut
2	153002	2	5/16" Lock Washer
3	803632	1	Relay Panel
4	150008	2	#6-32 x 1-1/4" Round Head Machine Screw
5	120701	1	4-Position Terminal Block
6	151000	2	#6-32 Pal Nut
7	120765	2	End Stop
8	150301	5	#8-18 x 7/16" Phillips Pan Head TEK Screw
9	120768	7-3/4"	35 x 15 mm Din Mounting Rail
10	132458	1	Reversing Contactor with Coil Suppression
11	132436	1	7-10A Overload
12	132445	1	3 HP Contactor
13	152002	1	1/4-20 Hex Nut Zinc PLTD
14	153021	1	1/4" Shake Proof Washer
15	121010	2	L70-14-4 Ground Lug
16	112075	1	Ground Here Label
17	132198	1	Reversing Timer
*	803643	1	Panel Wiring
*	824732	1	Drive Contactor Wiring
*	824731	1	Blower Contactor Wiring

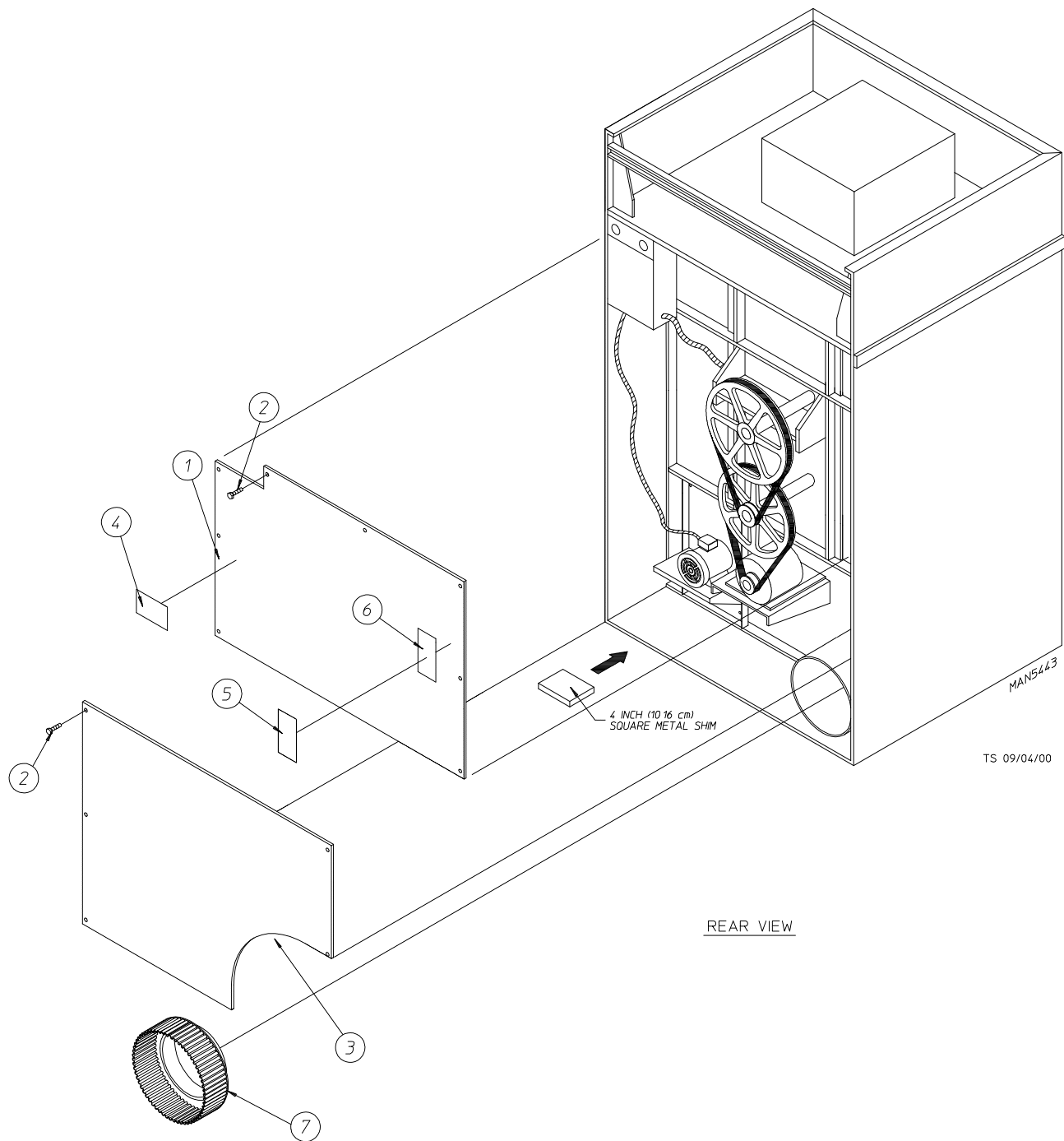
460-480V 3Ø 3.4 Wire



<u>Illus. No.</u>	<u>Part No.</u>	<u>Qty.</u>	<u>Description</u>
1	152004	2	5/16-18 Hex Nut
2	153002	2	5/16" Lock Washer
3	803632	1	Relay Panel
4	150008	2	#6-32 x 1-1/4" Round Head Machine Screw
5	120701	1	4-Position Terminal Block
6	151000	2	#6-32 Pal Nut
7	120765	2	End Stop
8	150301	5	#8-18 x 7/16" Phillips Pan Head TEK Screw
9	120768	7-3/4"	35 x 15 mm Din Mounting Rail
10	132458	1	Reversing Contactor with Coil Suppression
11	132468	1	4-6A Overload
12	132445	1	3 HP Contactor
13	152002	1	1/4-20 Hex Nut Zinc PLTD
14	153021	1	1/4" Shake Proof Washer
15	121010	2	L70-14-4 Ground Lug
16	112075	1	Ground Here Label
17	132198	1	Reversing Timer
18	803693	1	380V Transformer Assembly
	803701	1	460-480V Transformer Assembly
	803702	1	416V Transformer Assembly
	803703	1	575V Transformer Assembly
19	150108	2	#8-32 x 1/2" Phillips Pan Head Machine Screw
20	151001	2	#8-32 Pal Nut
*	803644	1	Panel Wiring
*	824732	1	Drive Contactor Wiring
*	824731	1	Blower Contactor Wiring

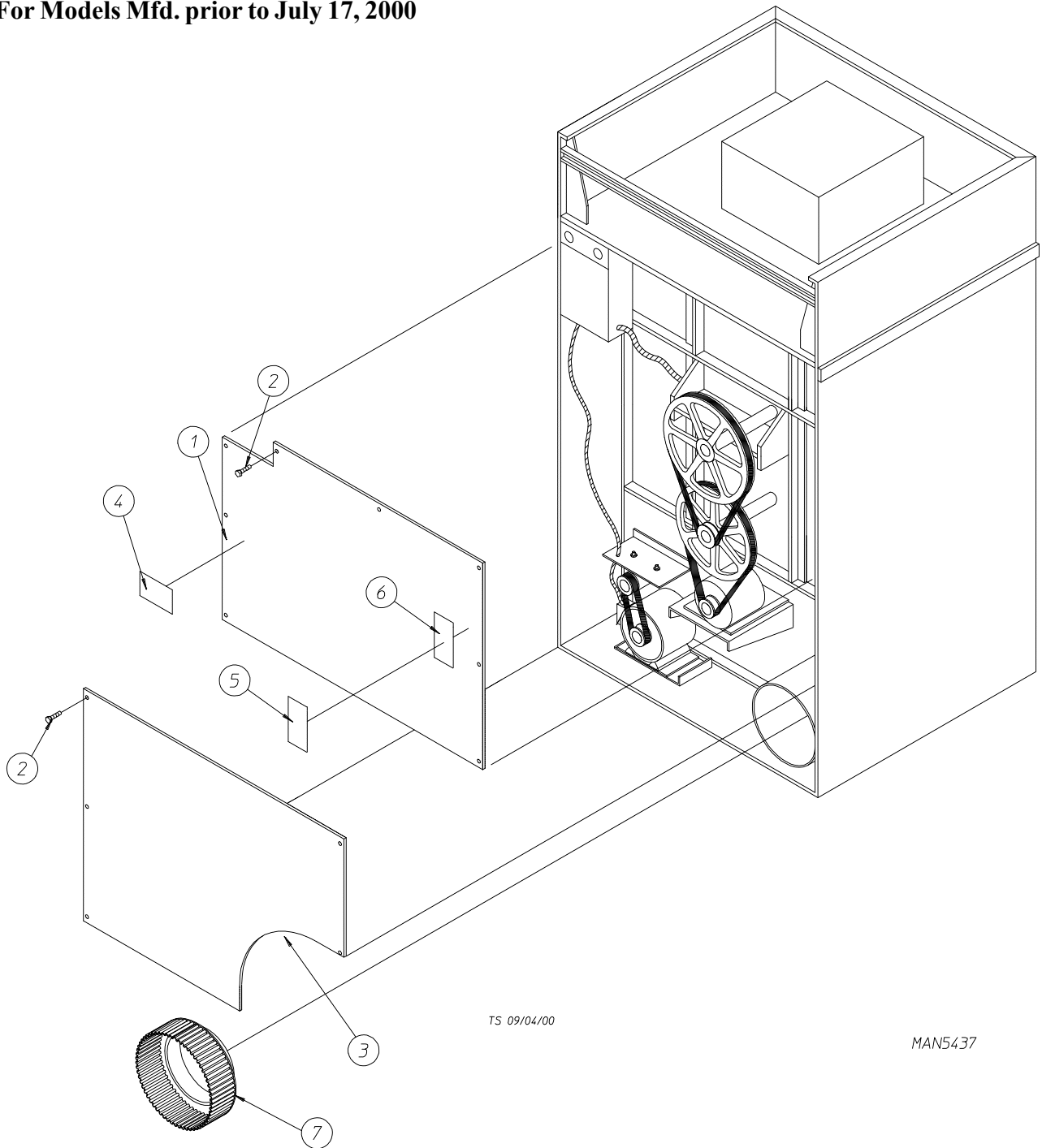
* Not illustrated.

For Models Mfd. as of July 17, 2000



<u>Illus. No.</u>	<u>Part No.</u>	<u>Qty.</u>	<u>Description</u>
1	317239	1	Top Back Guard
2	150301	12	#8-18 x 7/16" Phillips Pan Head TEK Screw
3	317241	1	Lower Back Guard
4	112017	1	ADC Name and Address Label
5	112229	1	Installation Instructions Label
6	112519	1	Routine Maintenance Label
7	850185	1	12" to 14" Increaser Gas/Steam/Electric

For Models Mfd. prior to July 17, 2000



TS 09/04/00

MAN5437

<u>Illus. No.</u>	<u>Part No.</u>	<u>Qty.</u>	<u>Description</u>
1	317239	1	Top Back Guard
2	150301	12	#8-18 x 7/16" Phillips Pan Head TEK Screw
3	317241	1	Gas and Electric Lower Back Guard
	317240	1	Steam Lower Back Guard
4	112017	1	ADC Name and Address Label
5	112229	1	Installation Instructions Label
6	112519	1	Routine Maintenance Label
7	850185	1	12" to 14" Increaser Gas/Electric
	850184	1	12" to 16" Increaser Steam

STEP DOWN TRANSFORMER USAGE LISTING (REVERSING RELAY BOX)

Heat	Voltage	Wire Service	Transformer Part Number	
			Microprocessor Models	Timer Models
Gas / Steam	380	3 or 4	132059	132059
	416	3 or 4	132062	132062
	400	3 or 4	132056	132056
	460/480	3 or 4	132053	132053
	575	3	132050	132050

N/A = Not available.

N/R = Not required.

DSI BURNER ORIFICE SPECIFICATION*

Qty.	Natural Gas		L.P. Gas	
	D.M.S.	Part No.	D.M.S.	Part No.
3	#8	140837	#31	140818

* Consult factory for elevations over 2,000 feet.

DSI BURNER ASSEMBLY SPECIFICATION

Btu/hr Rating	Natural Gas	L.P. Gas
343,000	880874	880875

NOTES: 1. Burner assemblies **DO NOT** include burner orifices. They **must be** ordered separately.
2. When ordering burner assembly, specify **model number** and **serial number** of the dryer.

DSI L.P. KIT SPECIFICATION*

Kit Part No. 880876

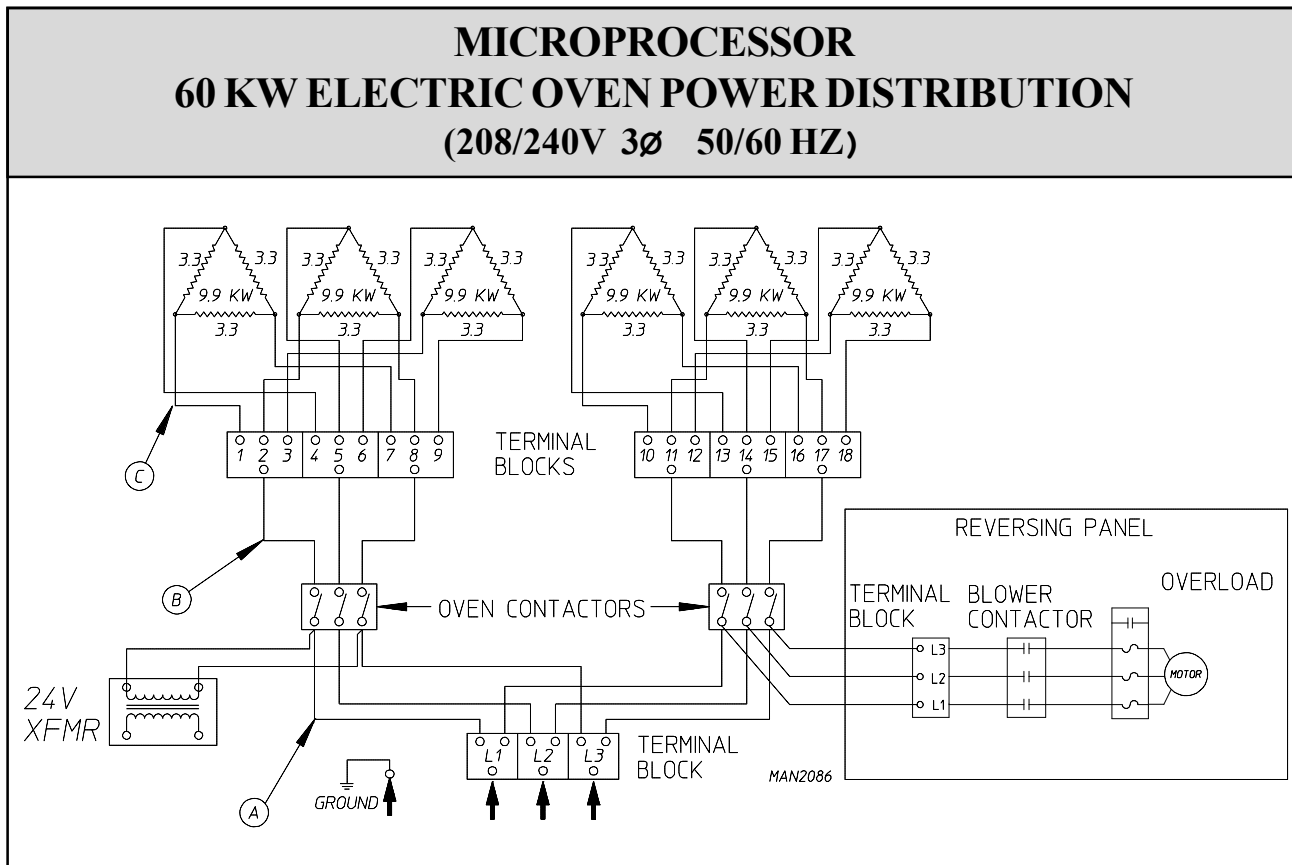
* Consult factory for elevations over 2,000 feet.

60 Kw Oven	Volts	208	230	380	416	480	
	Phase	3Ø	3Ø	3Ø	3Ø	3Ø	
	Wire	3	3	3 or 4	3 or 4	3 or 4	
	Oven Assy Part No.	815718	815719	815720	815721	815722	
	Elements	Qty.	18	18	18	18	18
		Size	3.3 Kw	3.3 Kw	3.3 Kw	3.3 Kw	3.3 Kw
		Part No.	120075	120076	120074	120075	120076
	Oven Wire	Qty.	62'	62'	34'	34'	34'
		Size	8	8	8	8	8
		Part No.	815709	815709	815710	815710	815710
Bus Bar Part No. 121011	6'	6'	3'	3'	3'		

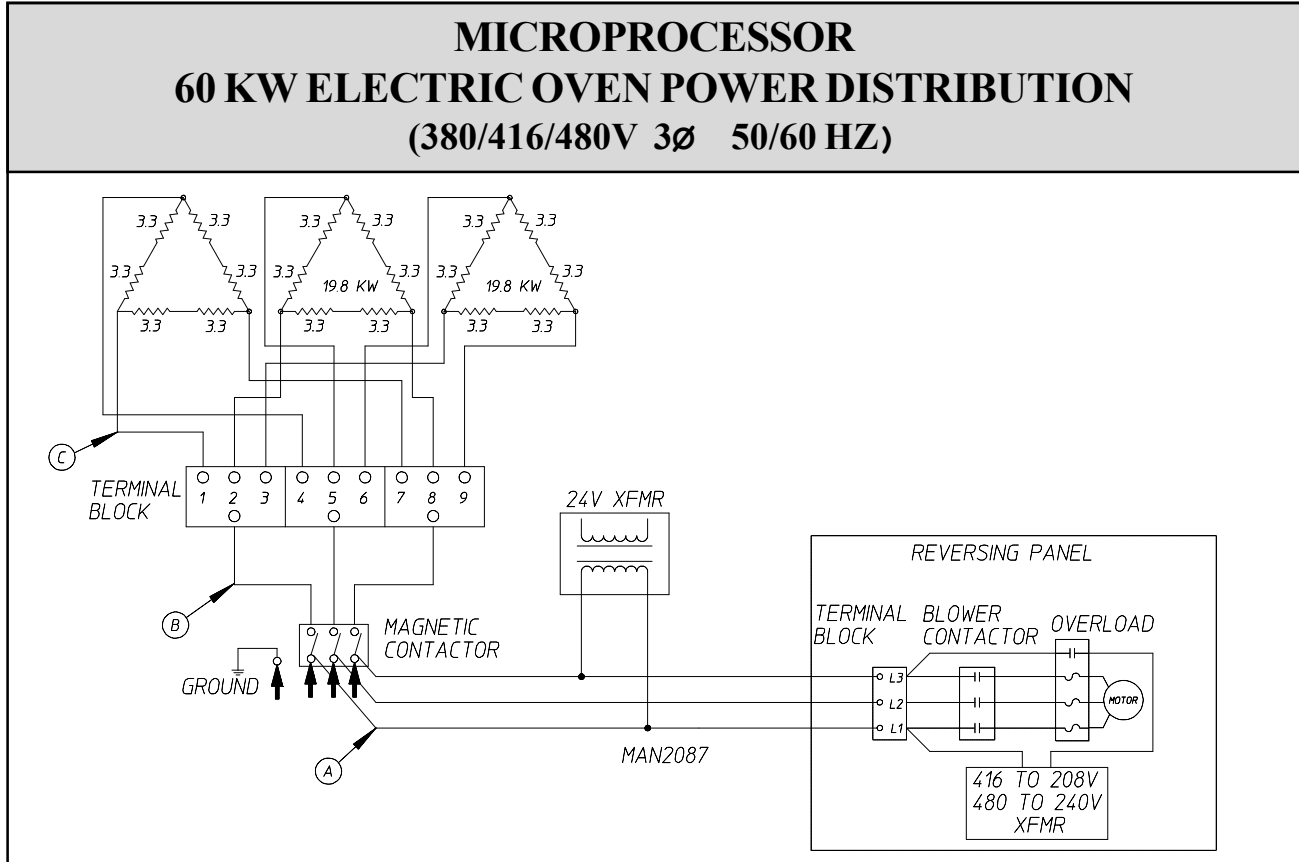
72 Kw Oven	Volts	208	230	380	416	480						
	Phase	3Ø	3Ø	3Ø	3Ø	3Ø						
	Wire	3	3	3 or 4	3 or 4	3 or 4						
	Oven Assy Part No.	815713	815714	815715	815716	815717						
	Elements	Qty.	18	18	18	18	18					
		Size	4 Kw	4 Kw	4 Kw	4 Kw	4 Kw					
		Part No.	120010	120011	120073	120010	120011					
	Oven Wire	Qty.	62'	62'	34'	34'	34'					
		Size	8	8	8	8	8					
		Part No.	815709	815709	815710	815710	815710					
	Terminal Lug	Qty.	13	6	13	6	9	1	9	1	9	1
		Part No.	121010	121012	121010	121012	121010	121012	121010	121012	121010	121012
Bus Bar Part No. 121011	6'	6'	3'	3'	3'							

NOTE: Oven wire and bus bar are sold by the foot.

For 60 Kw 208/240 VAC Microprocessor Models

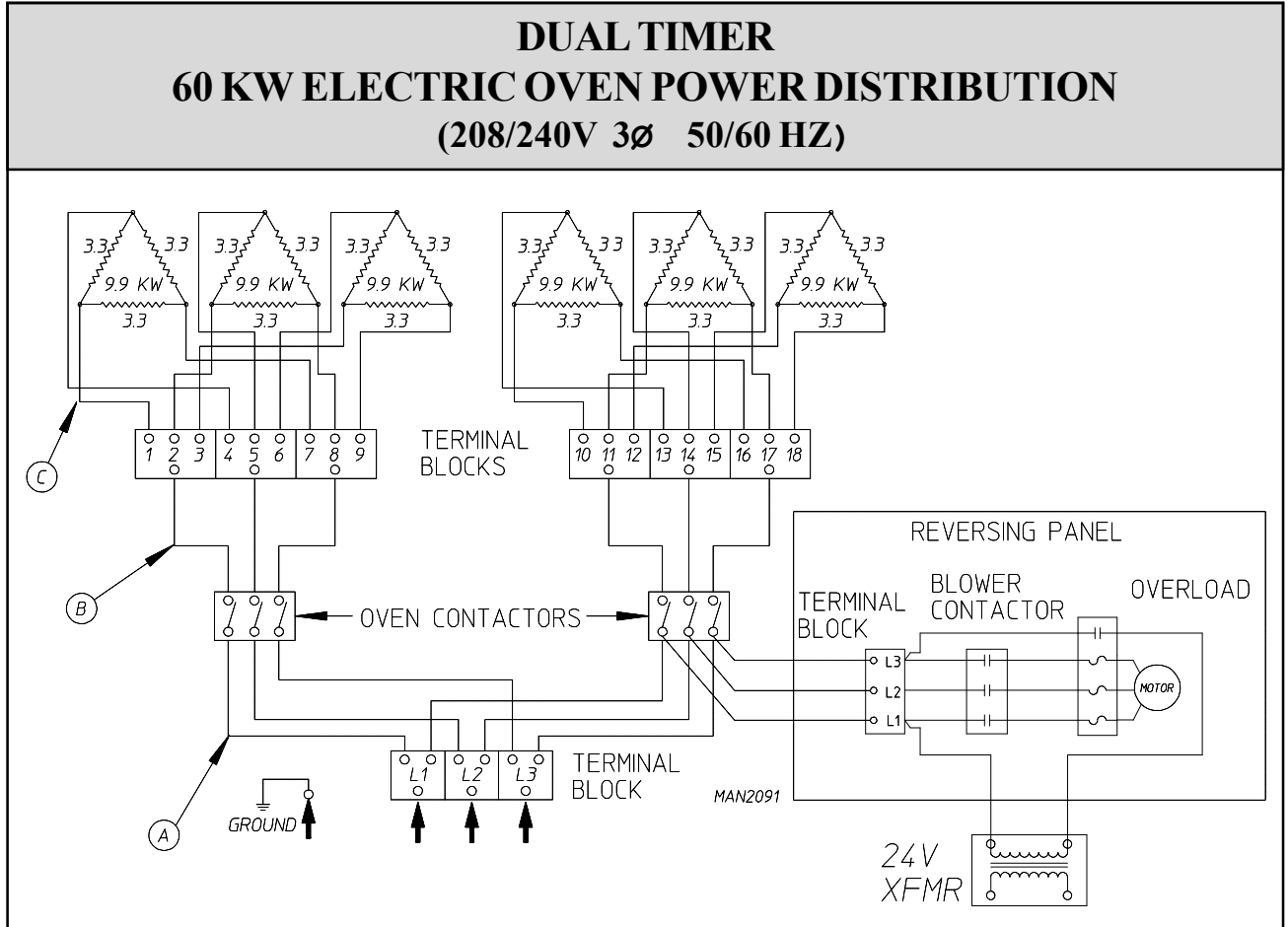


Electric Service	Qty. Elements	Element Part Number	Oven Amps	Wire Service			Contactor	24 VAC Step Down Transformer
				A	B	C		
208v 3Ø 3, 4w	18	120075	165	8	8	10	131375	132004
240v 3Ø 3, 4w	18	120076	143	8	8	10	131375	132004

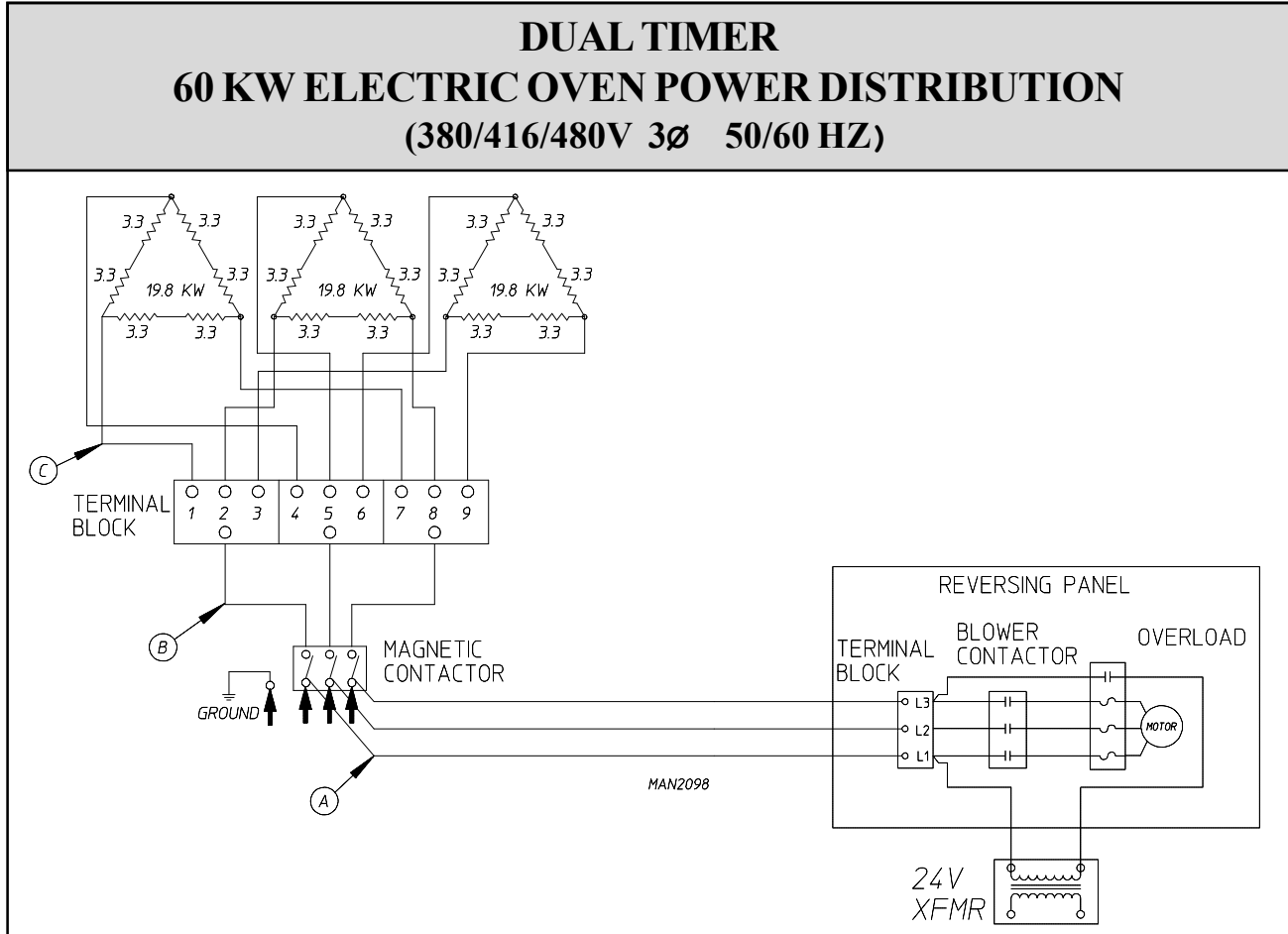


Electric Service	Qty. Elements	Element Part Number	Oven Amps	Wire Service			Contactor	24 VAC Step Down Transformer
				A	B	C		
380v 3Ø 3, 4w	18	120074	92	8	8	10	131385	132004
416v 3Ø 3, 4w	18	120075	84	8	8	10	131385	132004
480v 3Ø 3, 4w	18	120076	73	8	8	10	131385	132004

For 60 Kw 208/240 VAC Dual Timer Models

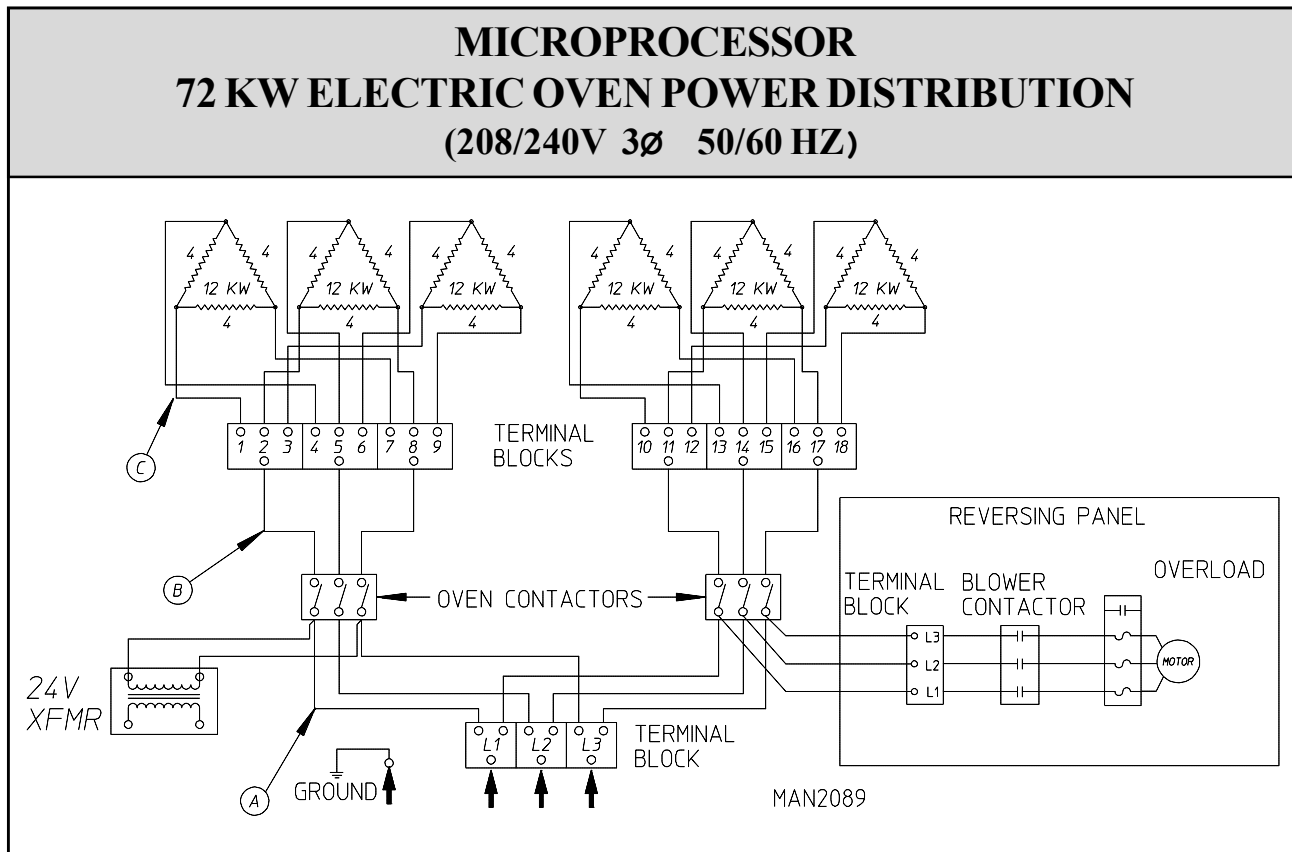


Electric Service	Qty. Elements	Element Part Number	Oven Amps	Wire Service			Contactor	24 VAC Step Down Transformer
				A	B	C		
208v 3Ø 3, 4w	18	120075	165	8	8	10	131375	132004
240v 3Ø 3, 4w	18	120076	143	8	8	10	131375	132004

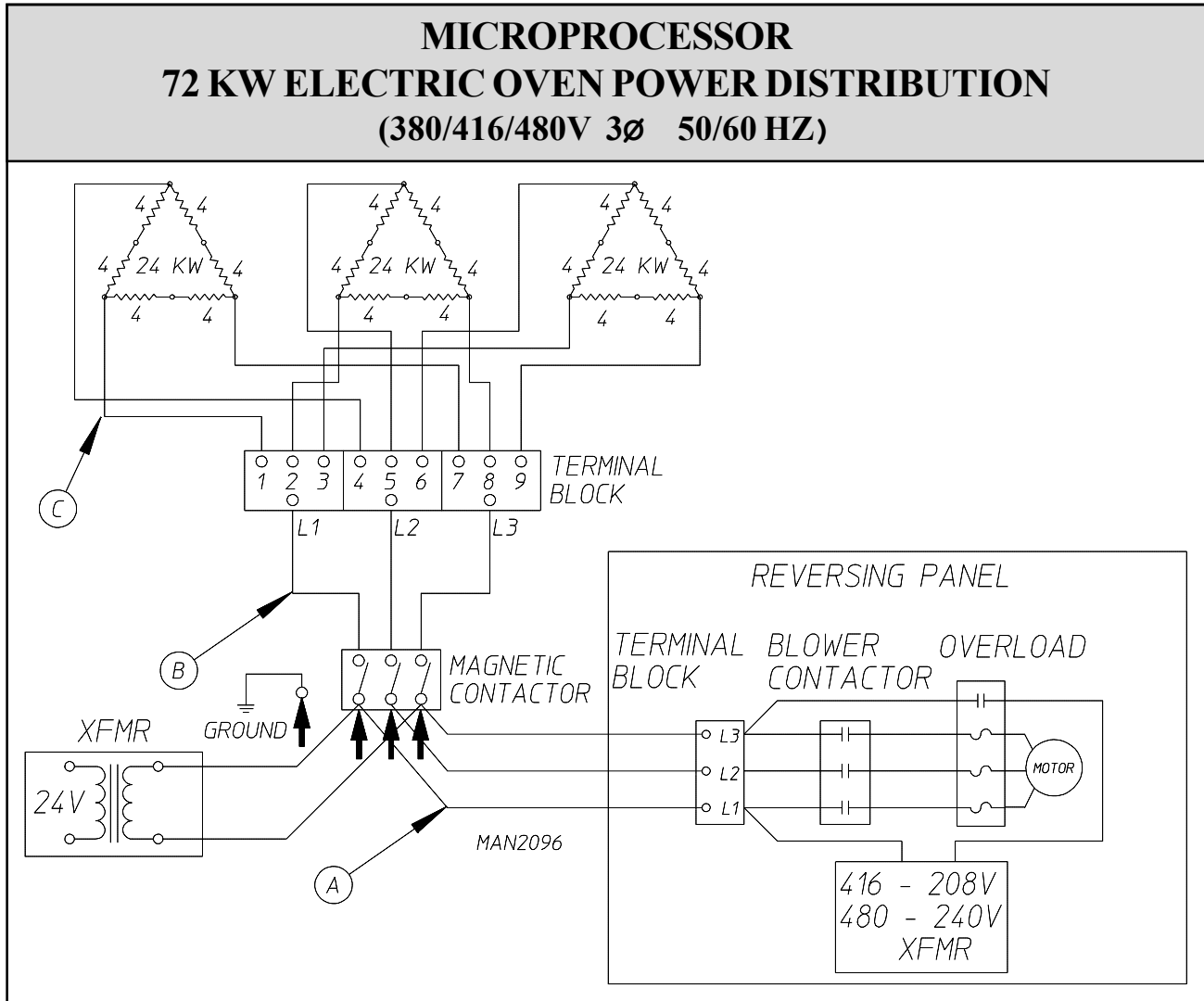


Electric Service	Qty. Elements	Element Part Number	Oven Amps	Wire Service			Contactor	24 VAC Step Down Transformer
				A	B	C		
380v 3Ø 3, 4w	18	120074	92	8	8	10	131385	132004
416v 3Ø 3, 4w	18	120075	84	8	8	10	131385	132004
480v 3Ø 3, 4w	18	120076	73	8	8	10	131385	132004

For 72 Kw 208/240 VAC Microprocessor Models

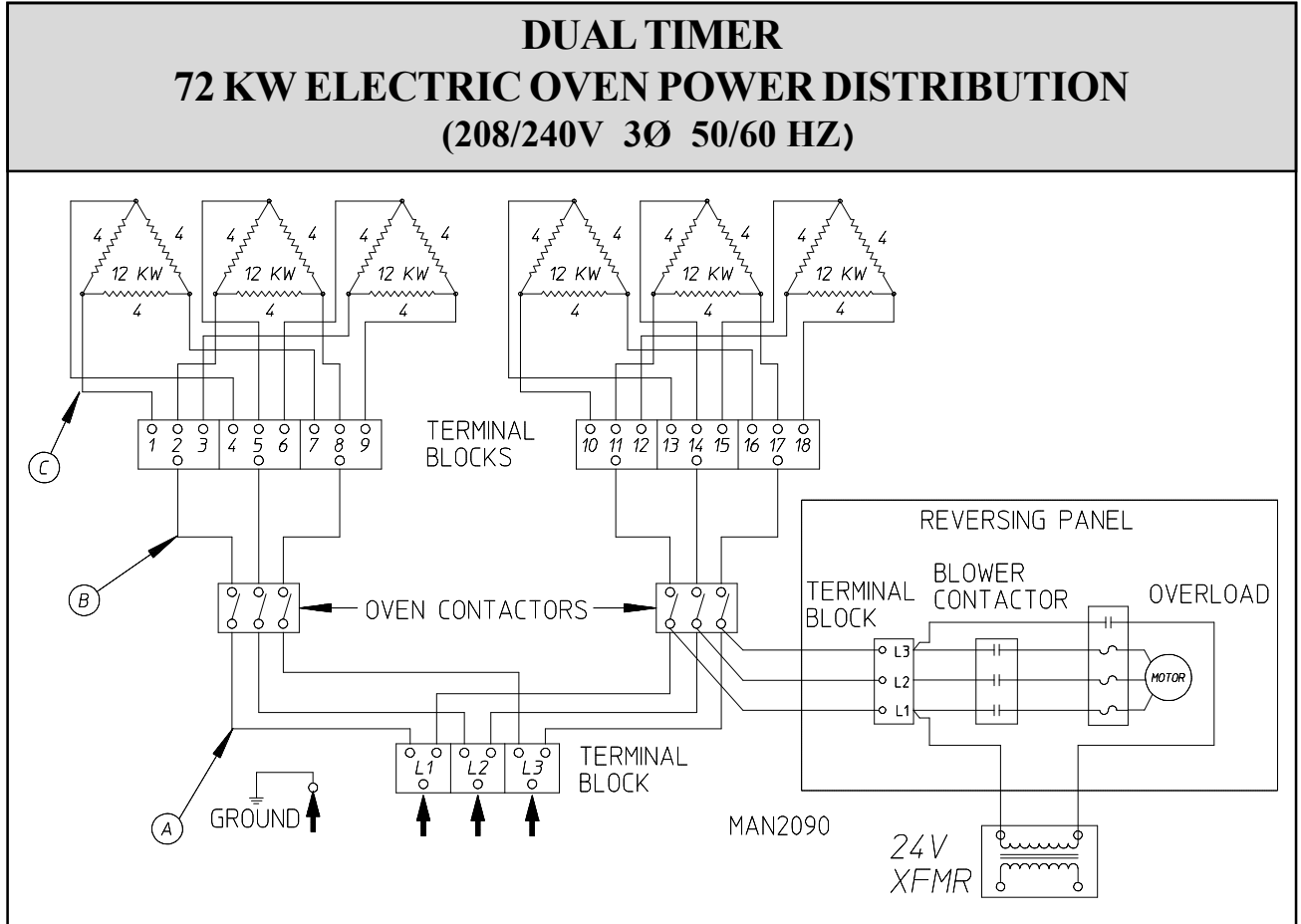


Electric Service	Qty. Elements	Element Part Number	Oven Amps	Wire Service			Contactor	24 VAC Step Down Transformer
				A	B	C		
208v 3Ø 3, 4w	18	120010	200	2	2	8	131385	132004
240v 3Ø 3, 4w	18	120011	174	2	2	8	131385	132004

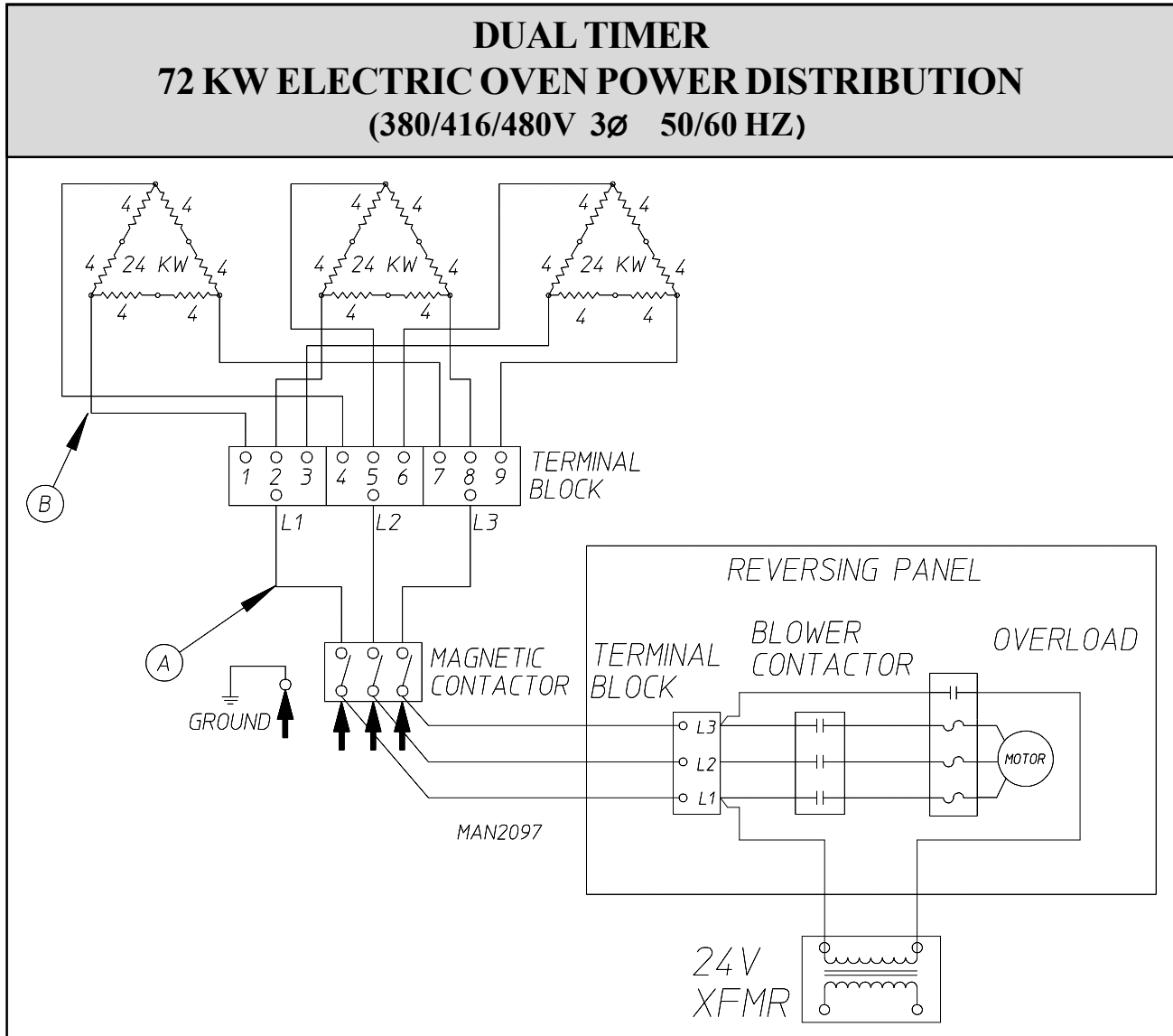


Electric Service	Qty. Elements	Element Part Number	Oven Amps	Wire Service		Contactor	24 VAC Step Down Transformer
				A	B		
380v 3Ø 3, 4w	18	120073	110	2	8	131385	132004
416v 3Ø 3, 4w	18	120010	100	2	8	131385	132004
480v 3Ø 3, 4w	18	120011	87	2	8	131385	132004

For 72 Kw 208/240 VAC Dual Timer Models

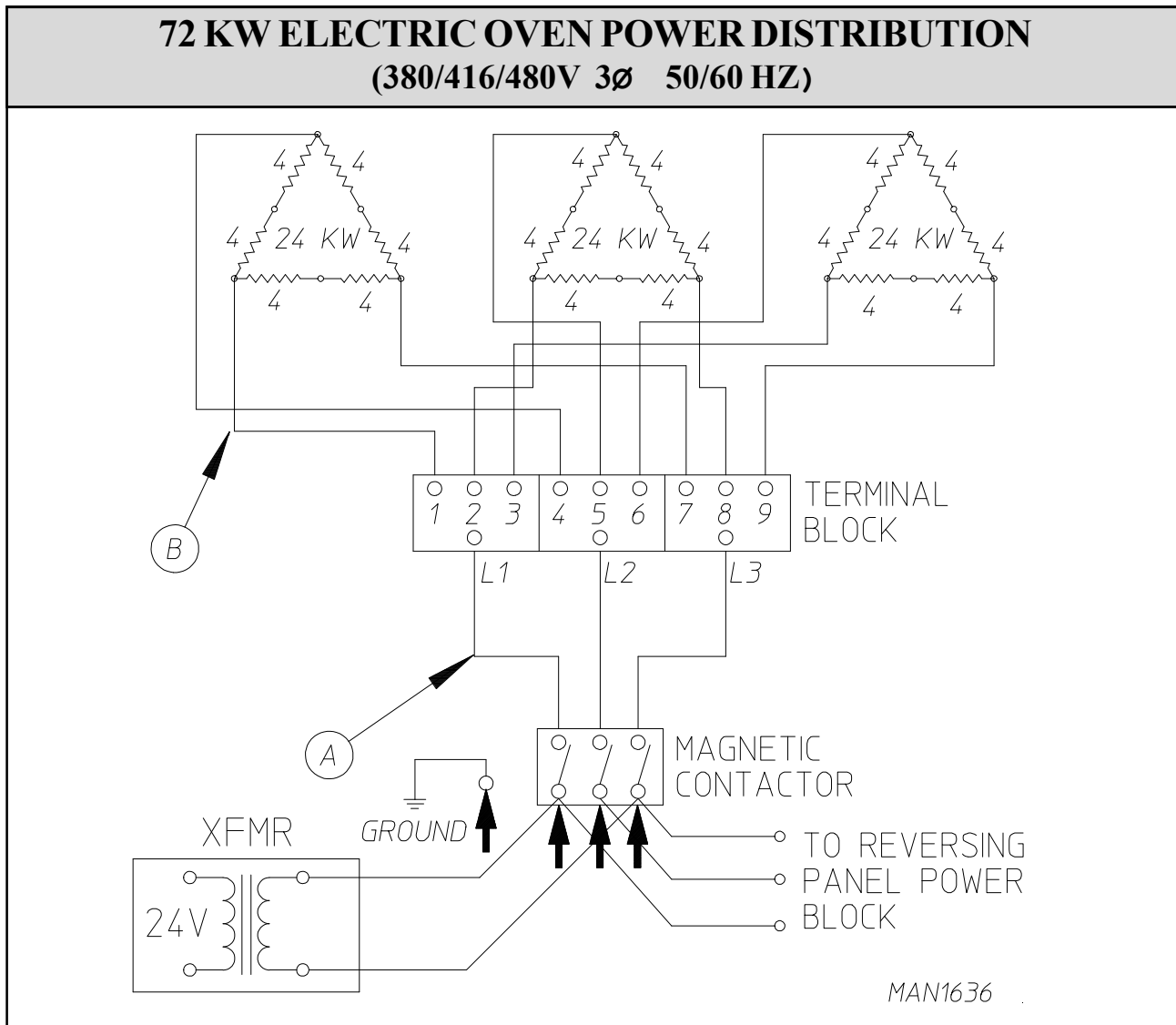


Electric Service	Qty. Elements	Element Part Number	Oven Amps	Wire Service			Contactor	24 VAC Step Down Transformer
				A	B	C		
208v 3Ø 3, 4w	18	120010	200	2	2	8	131385	132004
240v 3Ø 3, 4w	18	120011	174	2	2	8	131385	132004

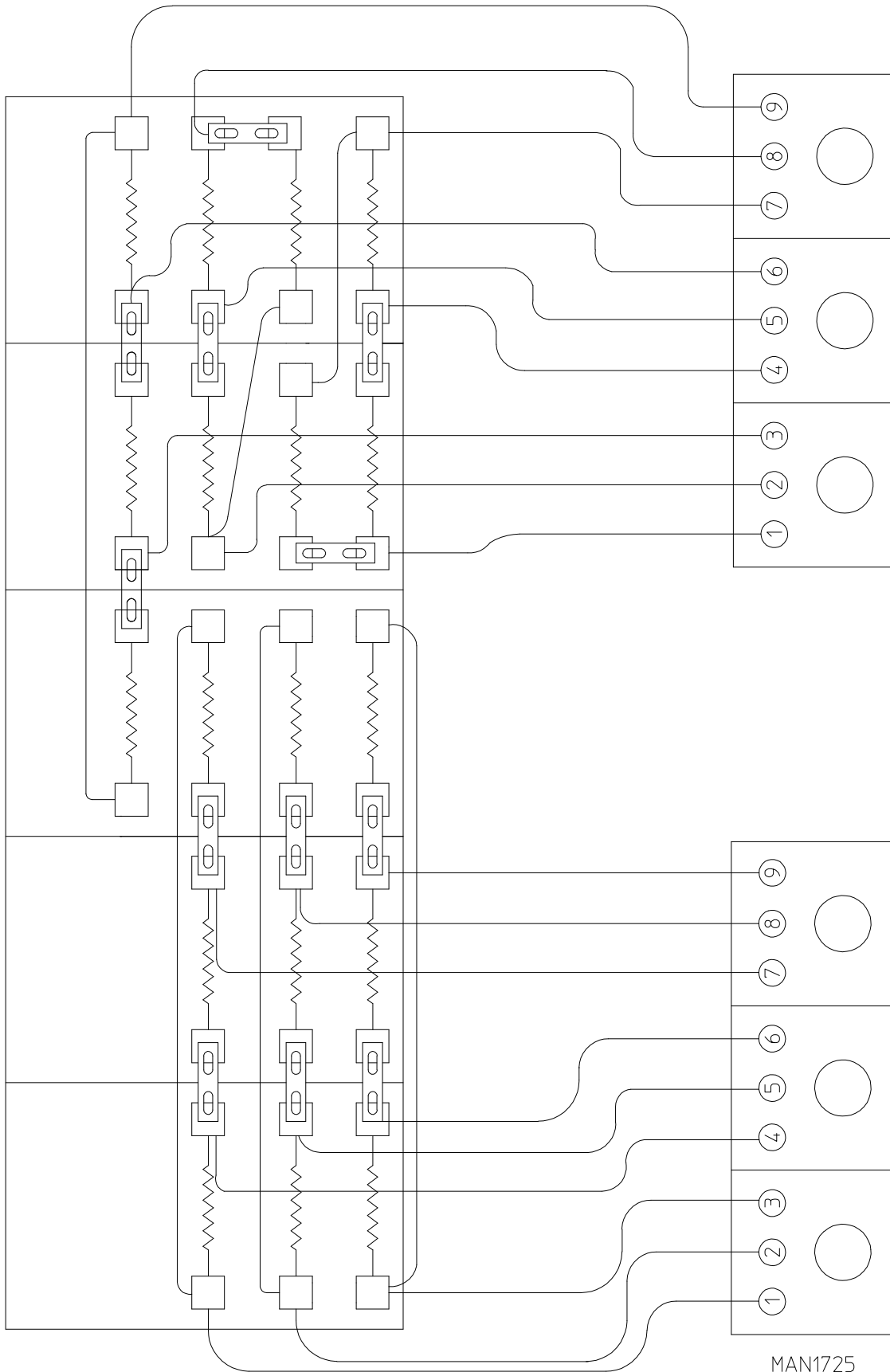


Electric Service	Qty. Elements	Element Part Number	Oven Amps	Wire Service		Contactor	24 VAC Step Down Transformer
				A	B		
380v 3Ø 3, 4w	18	120073	110	2	8	131385	132004
416v 3Ø 3, 4w	18	120010	100	2	8	131385	132004
480v 3Ø 3, 4w	18	120011	87	2	8	131385	132004

For 72 Kw 380/416/480 VAC Models

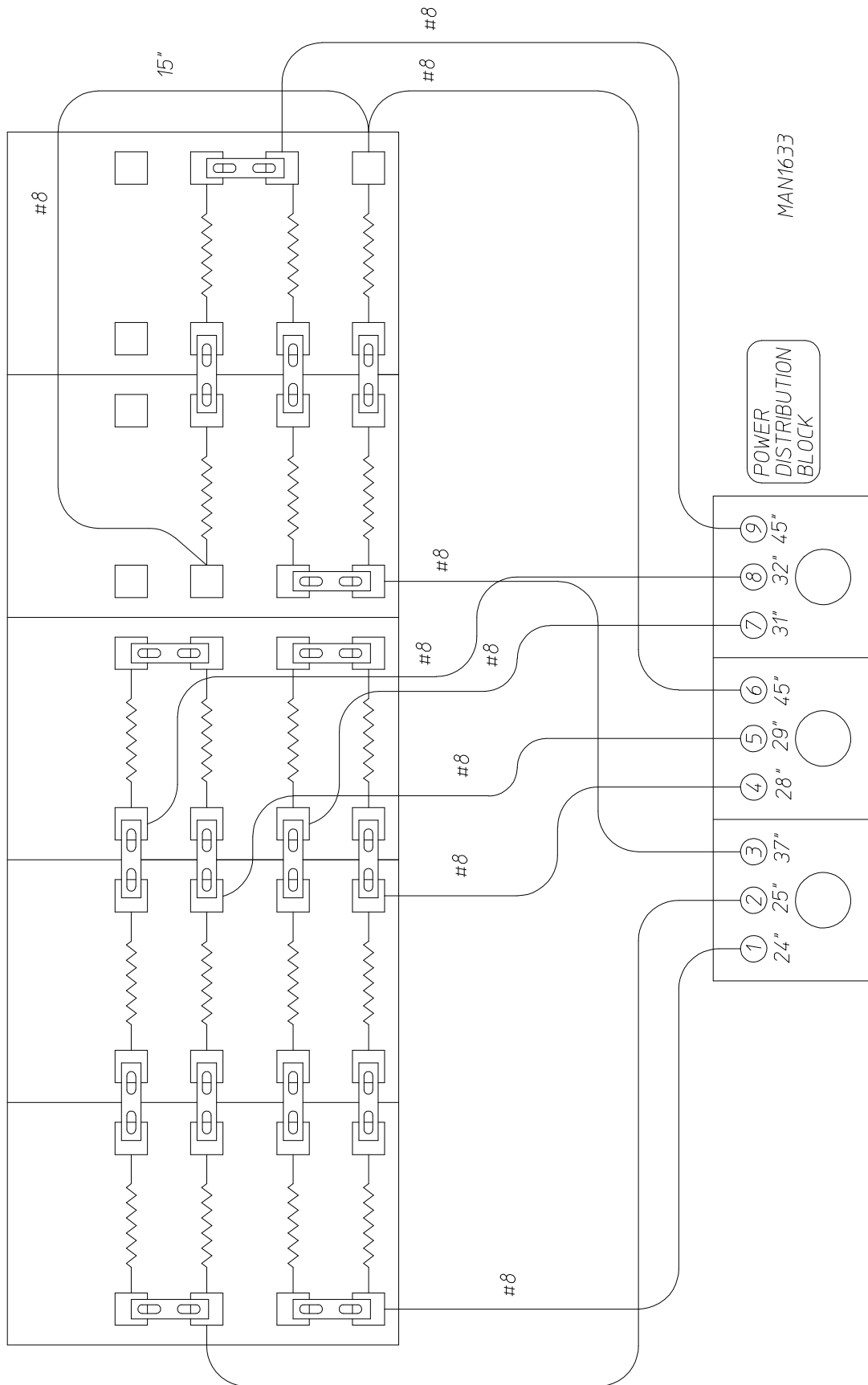


Electric Service	Qty. Elements	Element Part Number	Oven Amps	Wire Service		Contactor	24 VAC Step Down Transformer
				A	B		
380v 3Ø 3, 4w	18	120073	110	2	8	131385	132004
416v 3Ø 3, 4w	18	120010	100	2	8	131385	132004
480v 3Ø 3, 4w	18	120011	87	2	8	131385	132004



MAN1725

For ALL 380/416/480 VAC Models



<u>Part No.</u>	<u>Description</u>
112280	“Clean Lint Screen” Label
112534	“Phase 5 OPL Program Location Summary” Label
114006	“WARNING - Fire Hazards” Label
114001	“CAUTION - Exhaust/Lint Screen” Label
120100	3/8” Straight (BX) Connector
120300	3/8” x 45° (BX) Connector
120400	3/8” Red Jacket (BX) Insulator
120500	3/8” Jiffy Clip (BX retainer clip)
120600	3/8” Greenfield (BX)
120800	1/4” In-Line Connector
120802	Red Butt Connector
120902	#74B Wire Nut
120903	Closed End Connector
121014	1/4” Insulated (female) Terminal
121499	5-1/2” Wire Tie
121500	7” Harness Tie
121503	Harness Tie Mounting Clip
122804	Manometer (water column test gauge)
404502	White Brush-In-Cap Bottle Touch-Up Paint (0.6 oz. bottle)
401010	#847 Adhesive For Felt Collar
880200	Electrical Terminal (assortment) Kit

