



AD-75v

Parts Manual

American Dryer Corporation
88 Currant Road
Fall River, MA 02720-4781
Telephone: (508) 678-9000 / Fax: (508) 678-9447
E-mail: techsupport@amdry.com
www.amdry.com

Retain This Manual In A Safe Place For Future Reference

American Dryer Corporation products embody advanced concepts in engineering, design, and safety. If this product is properly maintained, it will provide many years of safe, efficient, and trouble free operation.

ONLY qualified technicians should service this equipment.

OBSERVE ALL SAFETY PRECAUTIONS displayed on the equipment or specified in the installation manual included with the dryer.

The following “**FOR YOUR SAFETY**” caution **must be** posted near the dryer in a prominent location.

FOR YOUR SAFETY

Do not store or use gasoline or other flammable vapors and liquids in the vicinity of this or any other appliance.

POUR VOTRE SÉCURITÉ

Ne pas entreposer ni utiliser d'essence ni d'autres vapeurs ou liquides inflammables à proximité de cet appareil ou de tout autre appareil.

We have tried to make this manual as complete as possible and hope you will find it useful. **ADC** reserves the right to make changes from time to time, without notice or obligation, in prices, specifications, colors, and material, and to change or discontinue models.

Important

For your convenience, log the following information:

DATE OF PURCHASE _____ **MODEL NO.** _____ **AD-75v**

RESELLER'S NAME _____

Serial Number(s) _____

Replacement parts can be obtained from your reseller or the **ADC** factory. When ordering replacement parts from the factory, you can FAX your order to **ADC** at (508) 678-9447 or telephone your order directly to the **ADC** Parts Department at (508) 678-9000. Please specify the dryer **model number** and **serial number** in addition to the **description** and **part number**, so that your order is processed accurately and promptly.

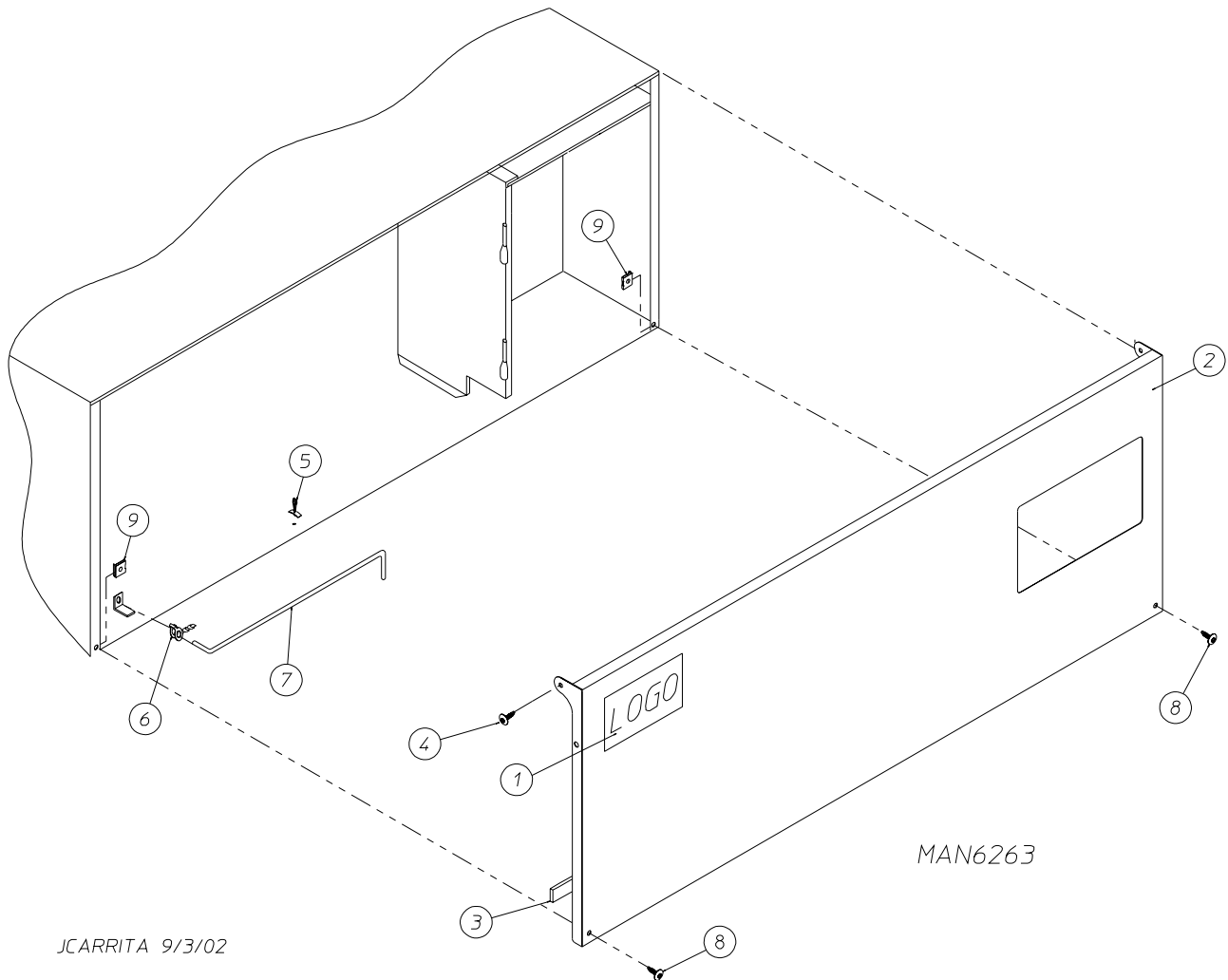
The illustrations on the following pages may not depict your particular dryer exactly. The illustrations are a composite of the various dryer models. Be sure to check the descriptions of the parts thoroughly before ordering.

“IMPORTANT NOTE TO PURCHASER”

Information **must be** obtained from your local gas supplier on the instructions to be followed if the user smells gas. These instructions **must be** posted in a prominent location near the dryer.

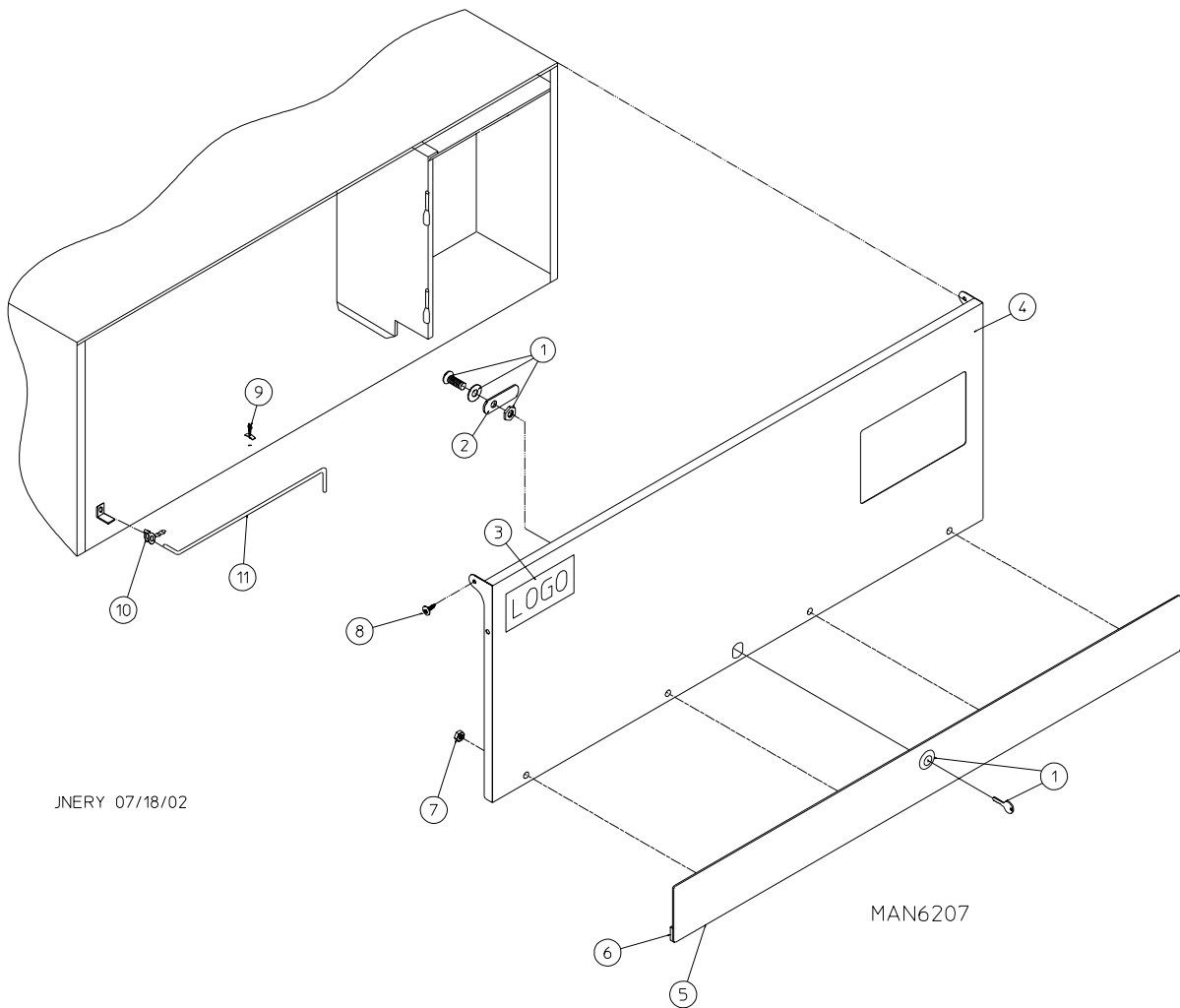
Table of Contents

OPL Control Door Assembly	
For Models Mfd. as of July 1, 2002	2
Coin Control Door Assembly	
For Models Mfd. as of July 1, 2002	3
Control Door Assembly	
For Models Mfd. prior to July 1, 2002	4
Phase 5 OPL Microprocessor Control Panel Assembly	5
Phase 5 Coin Microprocessor Control Panel Assembly	6, 7
Coin and OPL Control Box Assembly	8
Dual Timer “Tap Touch” Controls	
For Models Mfd. as of November 1, 2000	9
Dual Timer Control Panel Assembly	
For Models Mfd. prior to November 1, 2000	10
Coin Vault Assembly	11
Front Panel Assembly	
For Models Mfd. with Steel Loading Doors	12
Main Door “Steel” Assembly	
For Models Mfd. with Steel Loading Doors	13
Main Door Switch Assembly	
For Models Mfd. with Steel Loading Doors	14
Front Panel Assembly	
For Models Mfd. with Plastic Loading Doors	15
Main Door Assembly	
For Models Mfd. with Plastic Loading Doors	16
Main Door Switch Housing	
For Models Mfd. with Plastic Loading Doors	17
Basket (Tumbler)/Support Assemblies	18
Lint Drawer/Lint Drawer Switch Assembly	19
Idler Bearing Assembly	20, 21
Basket (Tumbler) Bearing Assembly	
For Models Mfd. with Griplock Type Bearings	22, 23
Basket (Tumbler) Bearing Assembly	
For Models Mfd. with Setscrew Type Bearings	24, 25
Non-Reversing Motor Mount Assembly	26, 27
Reversing Motor Mount Assembly	28, 29
Sensor Bracket Assemblies	30, 31
Direct Spark Ignition (DSI) Burner Assembly	32, 33
Electric Oven Assembly	34, 35
Sail Switch Assembly	36
Single-Phase (1 ϕ) Motor, Electric Relay Panel Assembly	37
3-Phase (3 ϕ) Motor, Electric Relay Panel Assembly	38
460-480 VAC 3-Phase (3 ϕ) Motor, Electric Relay Panel Assembly	39
Reversing Electric Relay Panel Assembly	40
460-480 VAC Reversing Electric Relay Panel Assembly	41
Air-Operated Steam Damper Assembly	42, 43
Outer Top/Back Guard Assemblies	44
Microprocessor Coin Acceptors Listing	45
Electric Oven Component Application Chart	46
Additional Parts Available	47



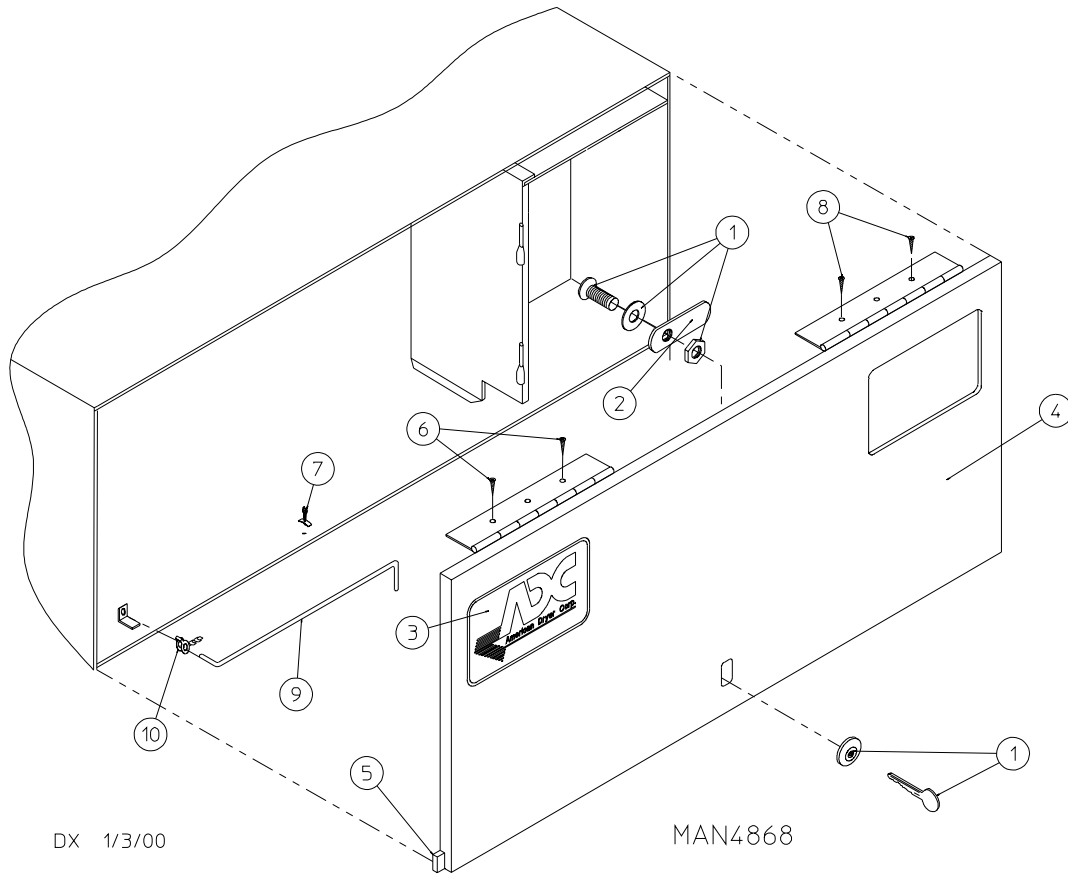
Illus. No.	Part No.	Qty.	Description
1	881053	1	ADC Logo ONLY (with double adhesive tape)
	870011	1	Logo Double Tape Kit...Not Illustrated
2	883616	1	White Control Door (includes illus. nos. 2 and 3)
	883617	1	Coral Blue Control Door (includes illus. nos. 2 and 3)
	883618	1	Ivory Control Door (includes illus. nos. 2 and 3)
3	117604	4	Noise Suppression Tape (sold by the foot)
4	150317	2	#10-16 x 3/4" TORX + BTN, Type 1
5	102603	1	Control Door Rod Support Catch
6	102601	1	Control Door Rod Retainer Clip
7	102503	1	Control Door Support Rod
8	150321	2	#10-32 x 1/2" Phillips Machine Screw
9	154011	2	#10-32 Multi-Thread U-Nut

For Models Mfd. as of July 1, 2002

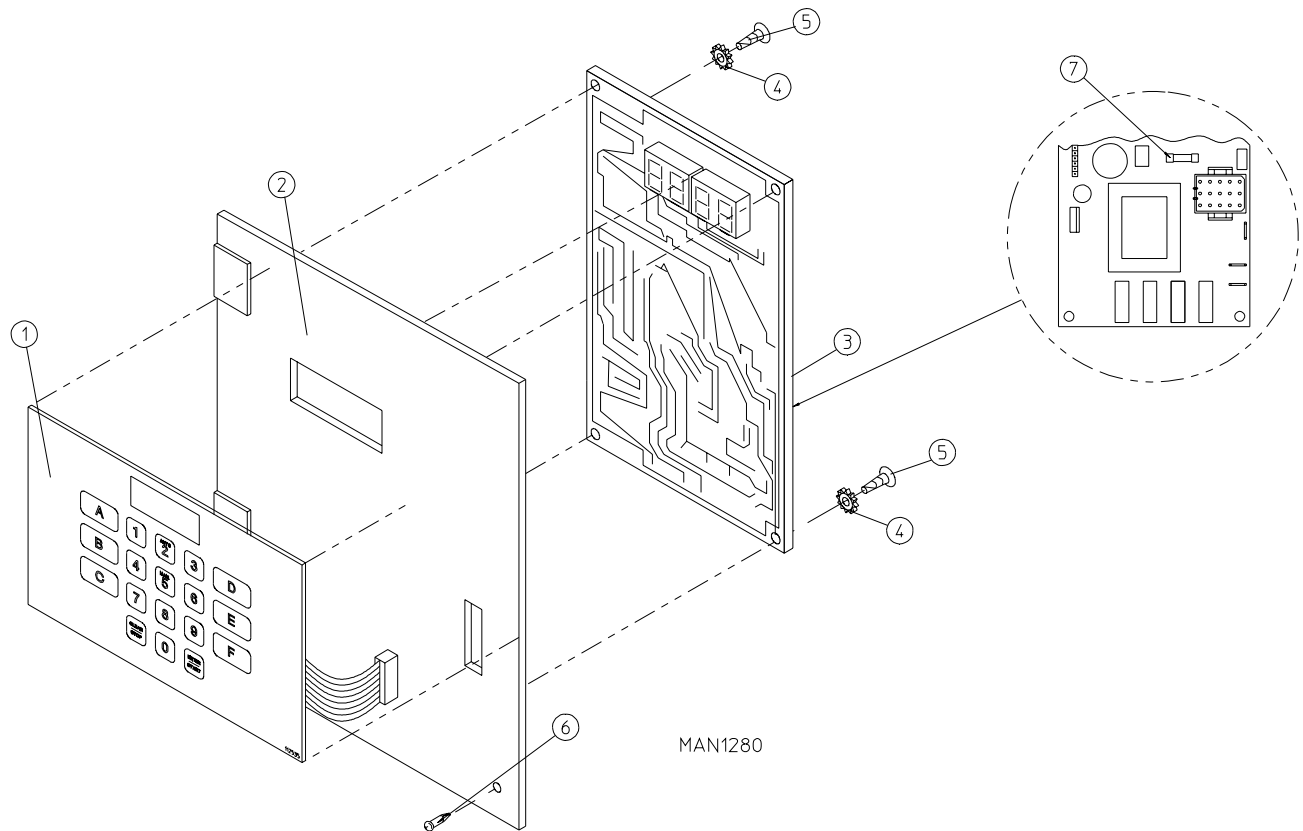


<u>Illus. No.</u>	<u>Part No.</u>	<u>Qty.</u>	<u>Description</u>
1	160015	1	High Security Lock Assembly
	160104	1	Key ONLY
2	160016	1	Lock Cam ONLY
3	881053	1	ADC Logo with Tape
4	883621	1	White Control Door Assembly with Black Trim (includes illus. nos. 4 through 7)
	883619	1	Ivory Control Door with Black Trim (includes illus. nos. 4 through 7)
	883620	1	Coral Blue Control Door with Black Trim (includes illus. nos. 4 through 7)
5	883485	1	Black Trim Strip with Lock Hole
6	117604	6	Noise Suppression Tape (sold by the foot)
7	152014	4	1/4-20 Free Spin Wash Nut
8	150317	2	#10-16 x 3/4" TORX + BTN, Type 1
9	102603	1	Control Door Rod Support Catch
10	102601	1	Control Door Rod Retainer Clip
11	102503	1	Control Door Support Rod

For Models Mfd. prior to July 1, 2002

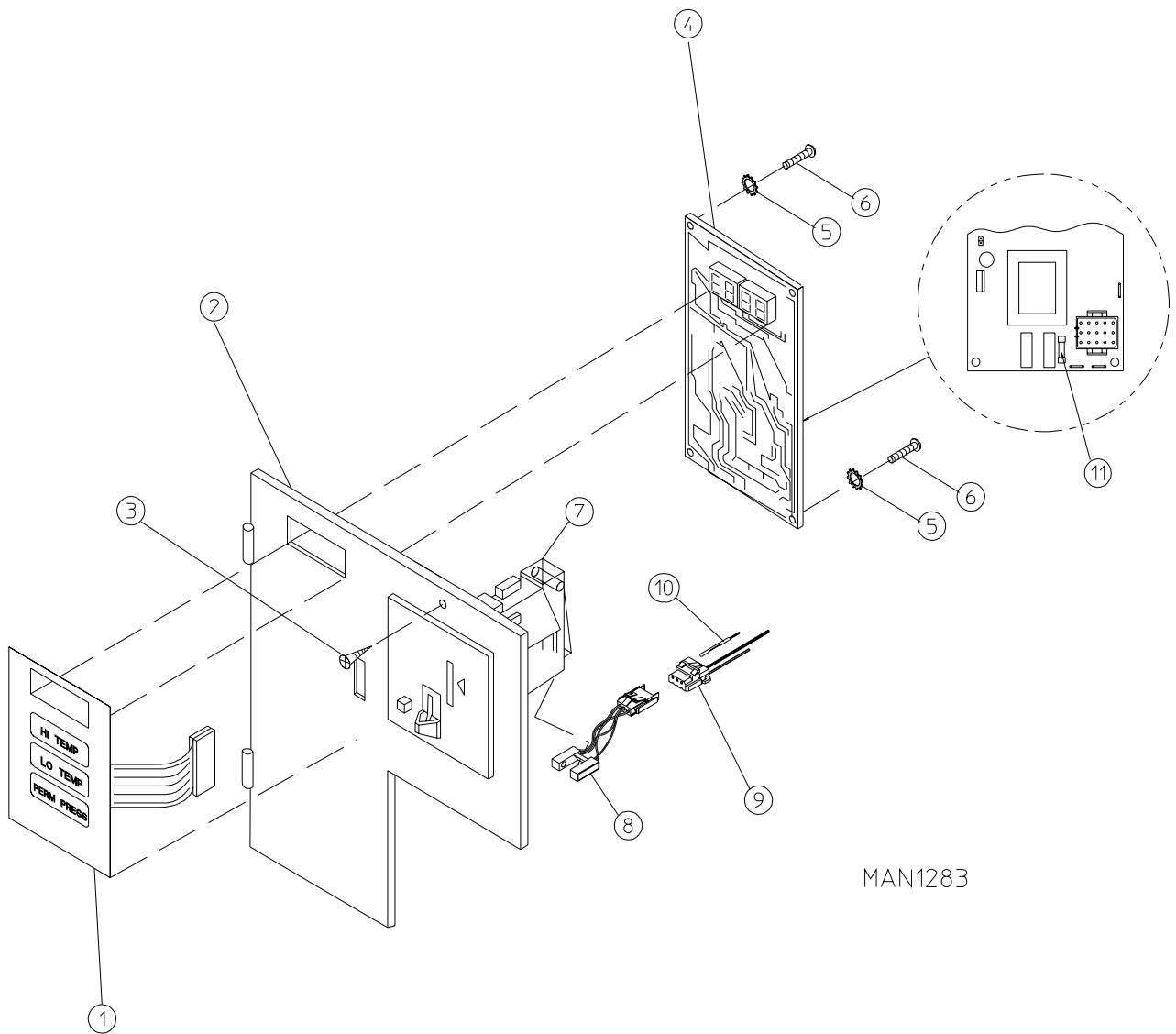


<u>Illus. No.</u>	<u>Part No.</u>	<u>Qty.</u>	<u>Description</u>
1	160015	1	High Security MK-100 Lock Assembly with Key (for coin models Only)
	160017	1	Special Dummy Lock ONLY (for non-coin models Only)
	160104	1	MK-100 Key ONLY
2	160052	1	Cam ONLY
3	881053	1	ADC Logo with Tape
	870011	1	Double Sided Tape Kit...Not Illustrated
4	882751	1	White High Security Control Door Assembly Less Lock (includes illus. nos. 4 and 5)
	882752	1	Almond "B" High Security Control Door Assembly Less Lock (includes illus. nos. 4 and 5)
	882749	1	Coral Blue High Security Control Door Assembly Less Lock (includes illus. nos. 4 and 5)
	882761	1	Bisque High Security Control Door Assembly Less Lock (includes illus. nos. 4 and 5)
5	117603	4	Noise Suppressor Tape (sold by the foot)
6	150309	2	#10-16 x 1/2" Hex Head TEK Crimptite Screw
7	102603	1	Control Door Rod Support Catch
8	150309	2	#10-16 x 1/2" Hex Head TEK Crimptite Screw
9	102502	1	Control Door Support Rod
10	102601	1	Control Door Rod Retainer Clip



<u>Illus. No.</u>	<u>Part No.</u>	<u>Qty.</u>	<u>Description</u>
1	112535	1	OPL English Keyboard Label Assembly
	112276	1	OPL Stick-On Labels (English Only)...Not Illustrated
	112277	1	3-Language OPL Stick-On Labels...Not Illustrated (English, Spanish, and Hebrew)
2	801255	1	Phase 5 Microprocessor Control Panel ONLY
	801256	1	Phase 5 Microprocessor Control Panel ONLY with Battery Bracket
	801206	1	Phase 5 OPL Non-Reversing Microprocessor Control Panel Assembly Complete (includes illus. nos. 1 through 5)
	801207	1	Phase 5 OPL Reversing Microprocessor Control Panel Assembly Complete (includes illus. nos. 1 through 5)
3	137222	1	Phase 5 OPL Non-Reversing Microprocessor Controller (computer) ONLY
	137231	1	Phase 5 OPL Reversing Microprocessor Controller (computer) ONLY
	824998	1	Phase 5 Battery Clip
4	153010	2	#6 Star Washer
5	150005	2	#6-32 x 1/4" Phillips Round Head Machine Screw
6	150309	1	#10-16 x 1/2" Hex Head TEK Crimpite Screw
7	136048	1	1/8-Amp (Slo-Blo) Fuse

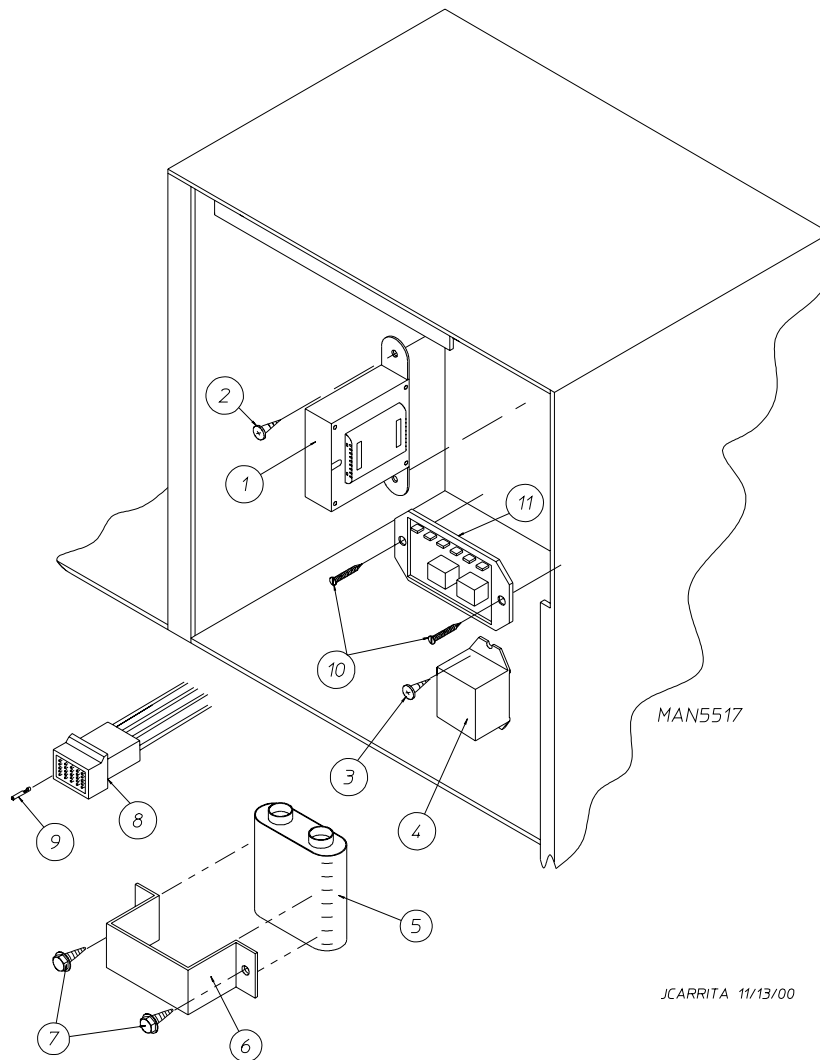
IMPORTANT: Check label on computer chip to verify correct part number for controller (computer).



MAN1283

<u>Illus. No.</u>	<u>Part No.</u>	<u>Qty.</u>	<u>Description</u>
1	112526	1	Coin Keyboard Label Assembly
2	883537	1	Phase 5 Coin Control Panel Assembly (for models mfd. as of June 25, 2002) (includes illus. nos. 1, 2, and 4 through 6)
	883538	1	Phase 5 Coin Control Panel Assembly with Battery Option (for models mfd. as of June 25, 2002) (includes illus. nos. 1, 2, and 4 through 6)
	883582	1	Phase 5 Coin Control Panel Assembly with Battery Option (for models mfd. prior to June 25, 2002) (includes illus. nos. 1, 2, and 4 through 6)
	883581	1	Phase 5 Coin Control Panel Assembly (for models mfd. prior to June 25, 2002) (includes illus. nos. 1, 2, and 4 through 6)
	883539	1	Coin Control Panel ONLY (for models mfd. as of June 25, 2002)
	883540	1	Coin Control Panel ONLY with Battery Bracket (for models mfd. as of June 25, 2002)
	883580	1	Coin Control Panel ONLY (for models mfd. prior to June 25, 2002)
	883579	1	Coin Control Panel ONLY with Battery Bracket (for models mfd. prior to June 25, 2002)
3	150309	1	#10-16 x 1/2" Hex Head TEK Crimptite Screw
4	137213	1	Phase 5 Coin Controller ONLY
	824998	1	Phase 5 Battery Clip
5	153010	2	#6 Star Washer
6	150005	2	#6-32 x 1/4" Phillips Round Head Machine Screw
7	-----	1	Microprocessor Coin Acceptor (refer to the Microprocessor Coin Acceptors Listing on page 45)
8	-----	1	Optic Switch ONLY (refer to the Microprocessor Coin Acceptors Listing on page 45)
9	137023	1	Optic Switch Connector ONLY
10	137021	3	Microprocessor Socket ONLY
	880772	1	Single Coin Optical Switch Harness
	122800	1	Microprocessor (female) Pin Extraction Tool...Not Illustrated
11	136048	1	1/8-Amp (Slo-Bl0) Fuse

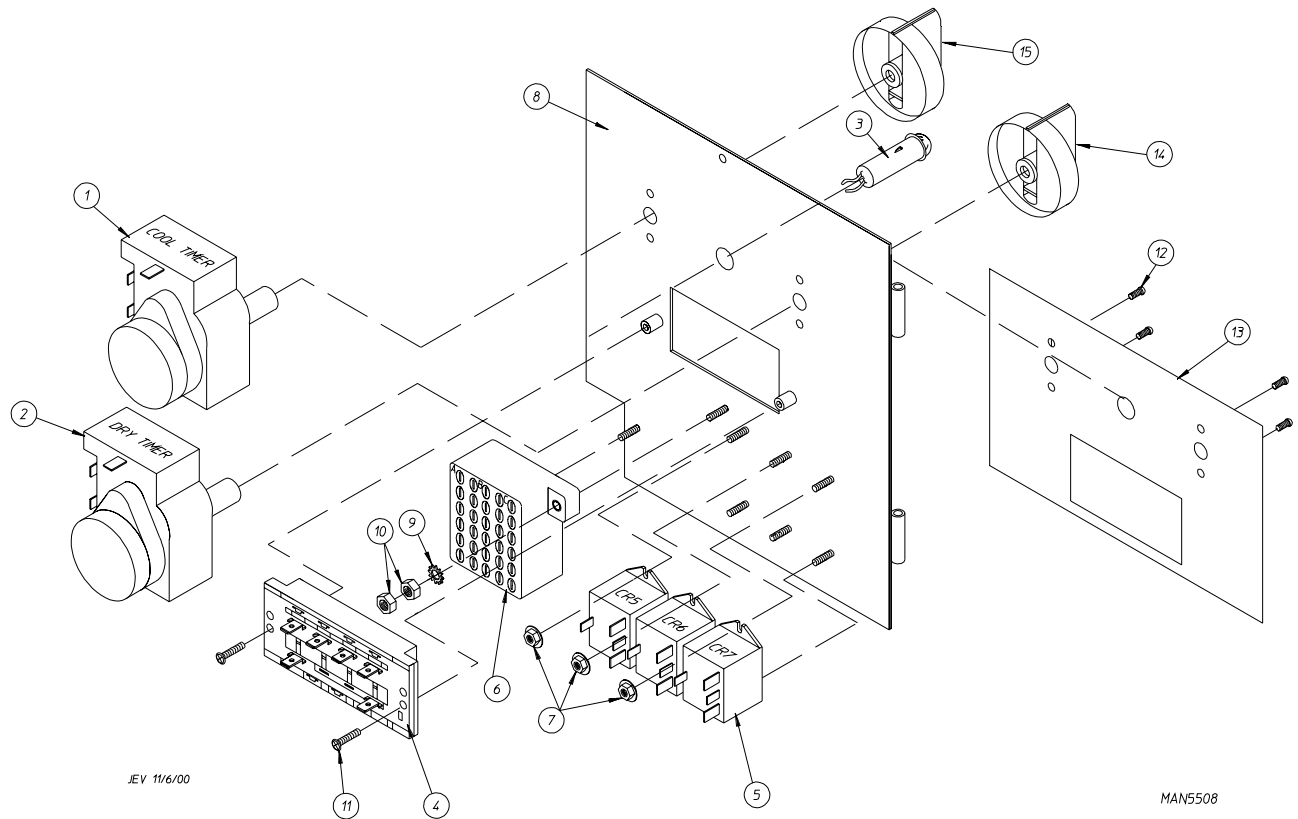
IMPORTANT: Check label on computer chip to verify correct part number of controller (computer).



<u>Illus. No.</u>	<u>Part No.</u>	<u>Qty.</u>	<u>Description</u>
1	132002	1	Transformer (for mechanical steam damper models - 208 VAC and higher Only)
2	150300	2	#10-16 x 1/2" Hex Washer TEK Screw
3	150301	2	#8-18 x 7/16" Phillips Pan Head TEK Screw
4	131931	1	Steam Valve Relay - 24 VAC (for mechanical steam damper models Only)
5	137035	1	Capacitor (for mechanical steam damper models Only)
6	323583	1	Capacitor Bracket (for mechanical steam damper models Only)
7	150300	2	#10-16 x 1/2" Hex Washer TEK Screw
8	122641	1	15-Pin Microprocessor Controller (computer) Connector
9	122706	*	Socket Terminal ONLY
	122801	1	Pin/Socket Extraction Tool...Not Illustrated
10	150301	2	#8-18 x 7/16" Phillips Pan Head TEK Screw
11	132198	1	Reversing Timer 24V (for reversing dual timer models mfd. as of November 1, 2000 Only)

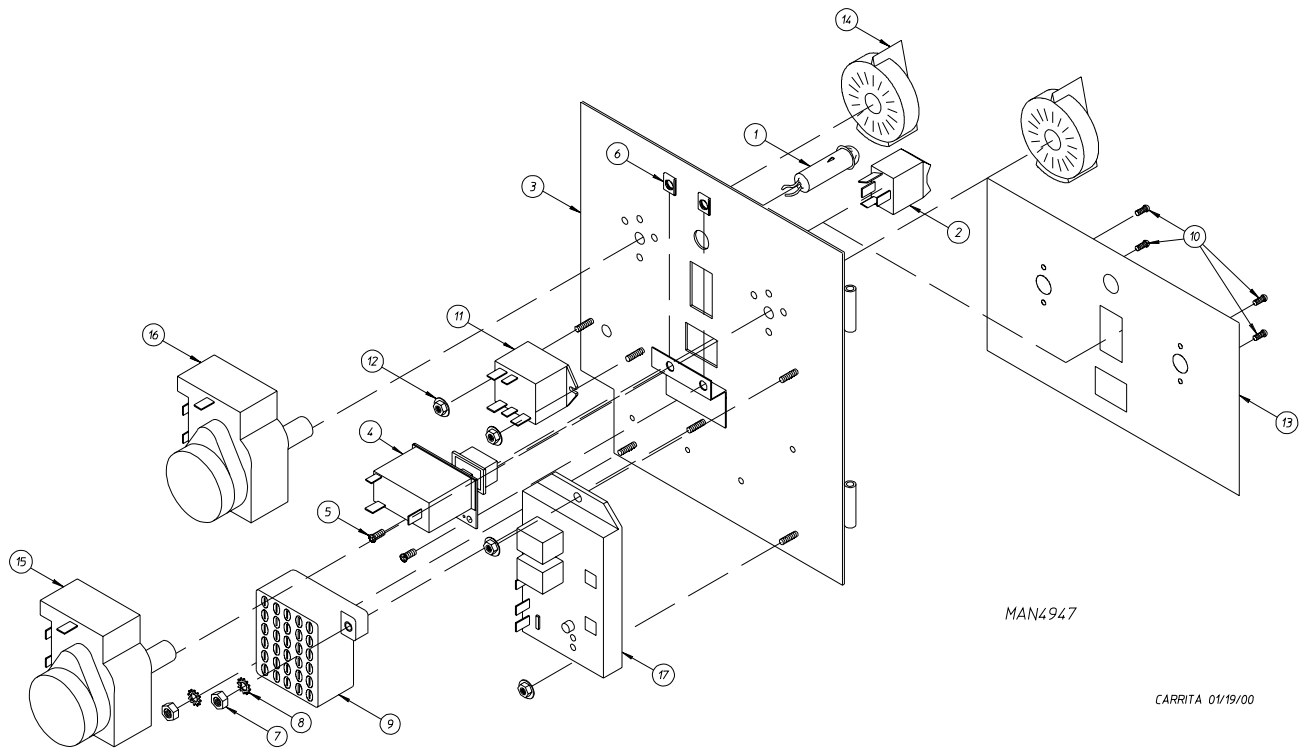
* As required.

For Models Mfd. as of November 1, 2000

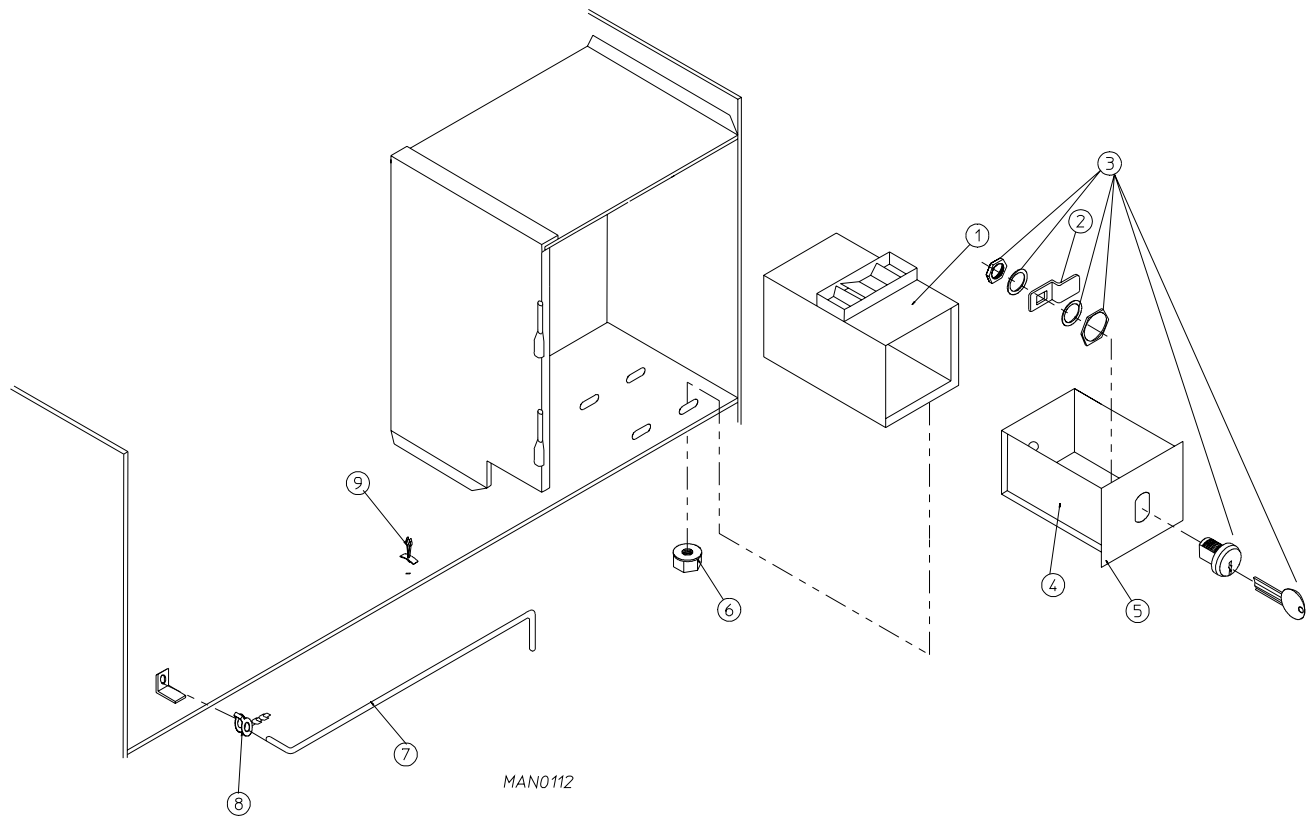


<u>Illus. No.</u>	<u>Part No.</u>	<u>Qty.</u>	<u>Description</u>
1	824298	1	15 Minute Timer - 24 VAC
2	824299	1	60 Minute Timer - 24 VAC
3	824175	1	Red Pilot Light - 24 VAC
4	122301	1	"Tap Touch" Switch
5	131932	3	Relay SPST 24v
6	120730	1	30-Position Terminal Block
7	151000	6	#6-32 Pal Nut
8	882903	1	Dual Timer Panel Complete (includes illus. nos. 1 through 15)
	850392	-	Dual Timer Panel ONLY
9	153010	2	#6 Star Washer
10	152000	3	#6-32 Hex Nut
11	150207	2	#10-24 x 1/2" Phillips Pan Head Machine Screw
12	150110	4	#8-32 x 1/4" Phillips Round Head Machine Screw
13	112563	1	Dual Timer Panel Overlay
14	124104	1	Pure Touch Knob with Red Pointer
15	124105	1	Pure Touch Knob with Blue Pointer

For Models Mfd. prior to November 1, 2000



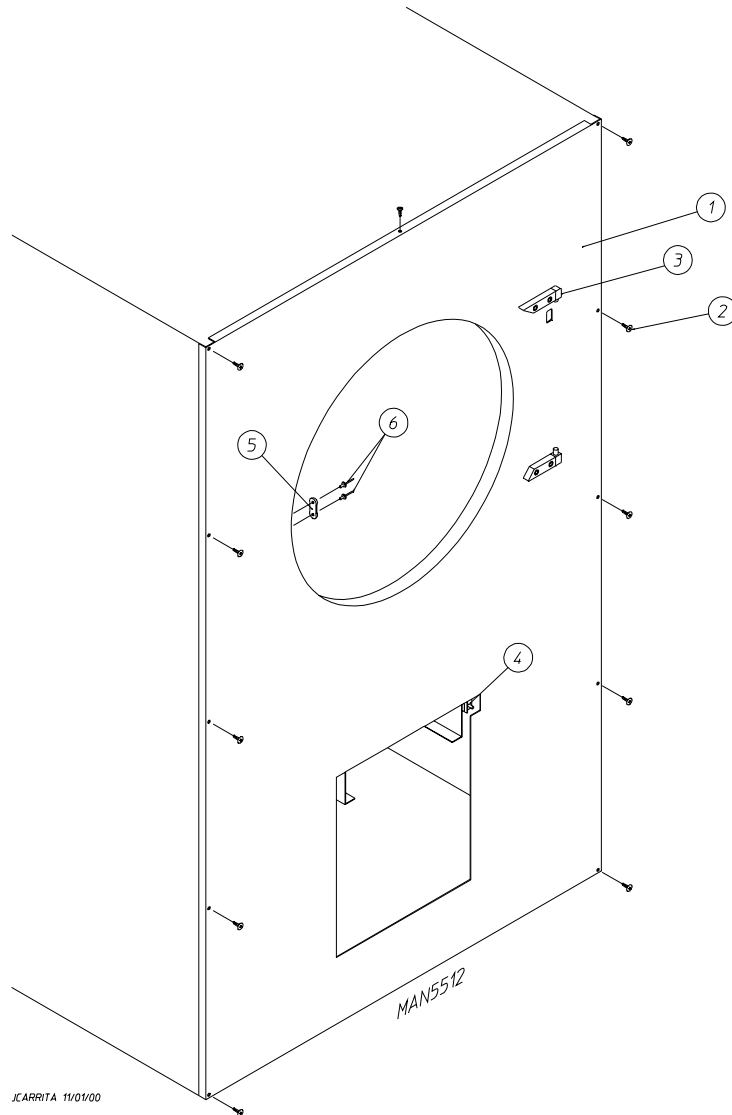
<u>Illus. No.</u>	<u>Part No.</u>	<u>Qty.</u>	<u>Description</u>
1	123005	1	Red Indicator Light - 24 VAC
2	122400	1	Rocker Heat Selector Switch
3	882596	1	Non-Reversing Dual Timer Control Panel Assembly Complete - 24 VAC (includes illus. nos. 1 through 16)
	882540	1	Non-Reversing Panel Wiring Harness...Not Illustrated
	882600	1	Reversing Dual Timer Control Panel Assembly Complete - 24 VAC (includes illus. nos. 1 through 17)
	882573	1	Reversing Panel Wiring Harness...Not Illustrated
	850456	1	Dual Timer Control Panel ONLY
4	131917	1	Push-To-Start Relay - 24 VAC
5	150207	2	#10-24 x 1/2" Round Head Machine Screw
6	154001	2	#10-24 Speed Nut
7	152000	2	#6-32 Hex Nut
8	153010	2	#6 Star Washer
9	120730	1	30-Position Terminal Block
10	150110	4	#8-32 x 1/4" Phillips Round Head Machine Screw
11	131932	1	Dual Timer Relay - 24 VAC
12	151000	2	#6-32 Pal Nut
13	112050	1	Dual Timer Label ONLY
14	124103	2	Arrow Timer Knob
15	124025	1	60 Minute Timer - 24 VAC
16	124030	1	15 Minute Timer - 24 VAC
17	132198	1	Reversing Timer - 24 VAC (reversing models Only)



<u>Illus. No.</u>	<u>Part No.</u>	<u>Qty.</u>	<u>Description</u>
1	802112	1	Microprocessor Coin Vault Assembly Complete (includes illus. nos. 1 through 6)
	802117	1	Microprocessor Coin Vault ONLY
2	160028	1	Cam ONLY for 1/4 Turn Lock
3	875061	1	1/4 Turn Lock with Key and Cam
	160105*	1	1/4 Turn Mer-Pel Key ONLY
4	802020	1	1/4 Turn Coin Box Assembly (includes illus. nos. 2 through 5)
	802019	1	1/4 Turn Coin Box ONLY without Faceplate
	125915	1	High Security (Greenwald) Coin Box ONLY with Key
5	802018	1	1/4 Turn Coin Box Faceplate ONLY
6	152014	4	1/4-20 Free Spin Wash Nut
7	102502	1	Control Door Support Rod
8	102601	1	Control Door Rod Retainer Clip
9	102603	1	Control Door Rod Support Catch

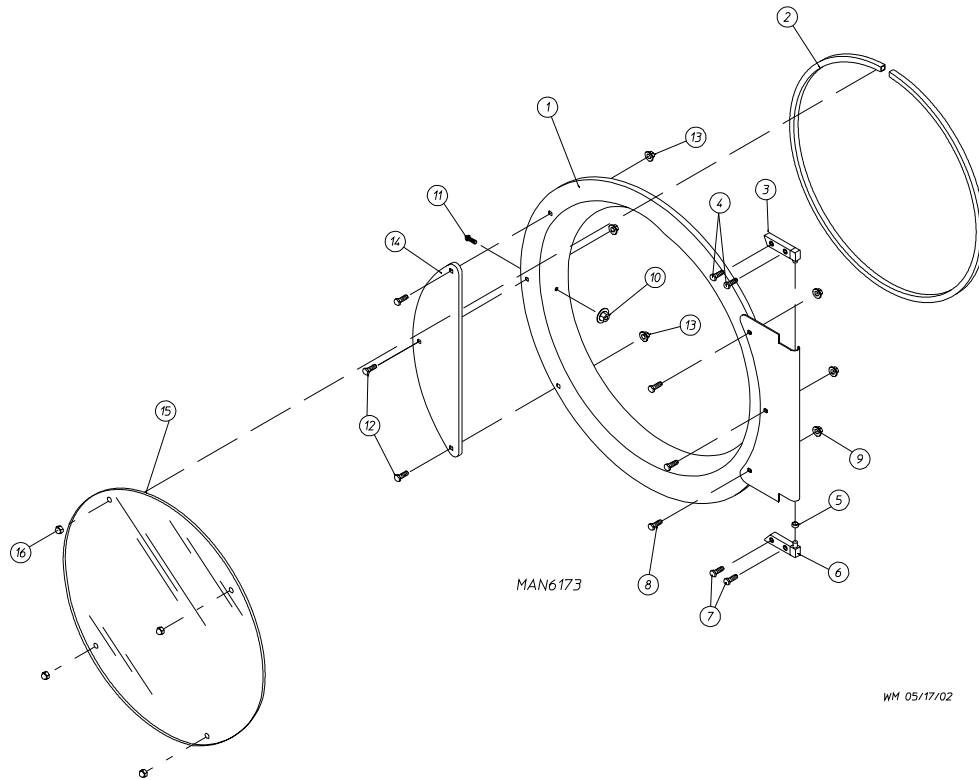
* Specify key number when ordering.

For Models Mfd. with Steel Loading Doors



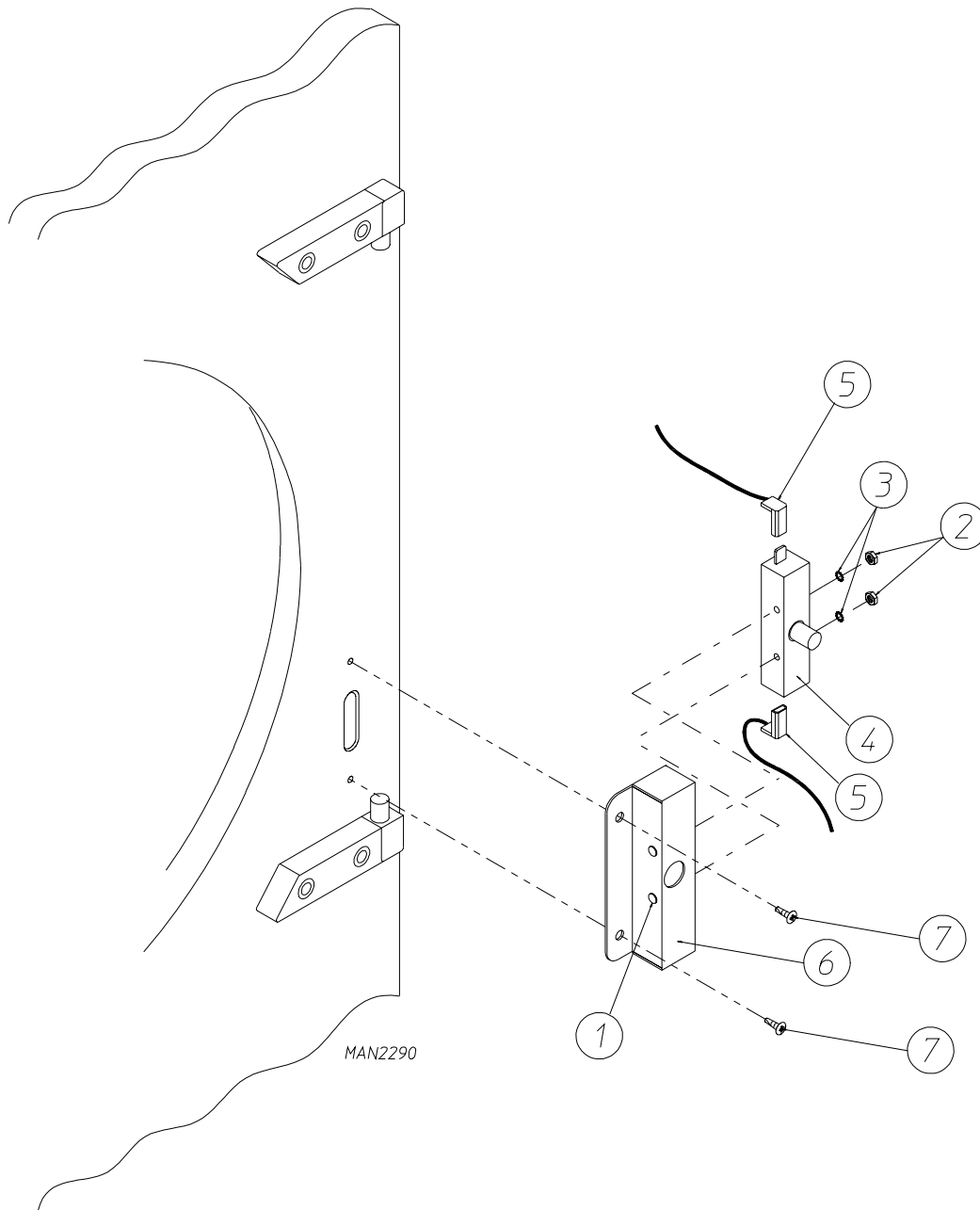
<u>Illus. No.</u>	<u>Part No.</u>	<u>Qty.</u>	<u>Description</u>
1	882905	1	White Front Panel Assembly (includes illus. nos. 1, 5, and 6)
	882901	1	Coral Blue Front Panel Assembly (includes illus. nos. 1, 5, and 6)
	882902	1	Ivory Front Panel Assembly (includes illus. nos. 1, 5, and 6)
2	150313	11	#10-16 x 1/2" TORX + BTN, Type 1
	150318	1	25 IP TORX + Bit 1/4 Hex (for removal of TORX head screw)
3	-----	1	Main Door Hinge (refer to Main Door "Steel" Assembly on page 13)
4	-----	1	Lint Drawer Switch (refer to Lint Drawer/Lint Drawer Switch Assembly on page 19)
5	881987	1	Friction Door Latch (includes illus. nos. 5 and 6)
6	154215	2	5/32" Pop Rivet

For Models Mfd. with Steel Loading Doors



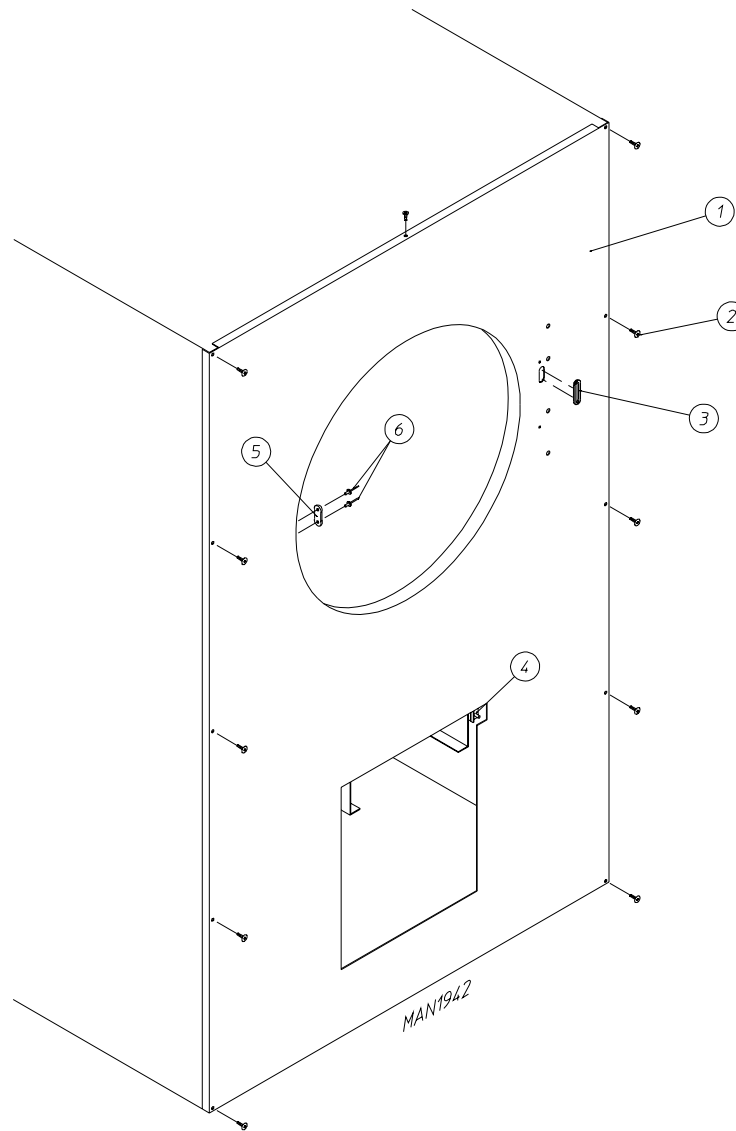
<u>Illus. No.</u>	<u>Part No.</u>	<u>Qty.</u>	<u>Description</u>
1	881150	1	Black Main Door Assembly Complete (includes illus. nos. 1, 2, and 8 through 15)
2	102354	1	Door Gasket
	170731	1	Black Glass Adhesive (10.3 oz. cartridge)
3	881152	1	Black Top Hinge Block Assembly (includes illus. nos. 3 and 4)
4	150445	2	1/4-20 x 3/4" Black Cap Head Setscrew
5	153031	1	1/4" Nylon Washer
6	881151	1	Black Bottom Hinge Block Assembly (includes illus. nos. 5 through 7)
7	150445	2	1/4-20 x 3/4" Black Cap Head Setscrew
8	150683	3	1/4-20 x 5/8" Black Carriage Bolt
9	152014	3	1/4-20 Free Spin Wash Nut
10	151010	1	#10-32 Black Hex Acorn Nut
11	150120	1	Door Latch Screw
12	150683	3	1/4-20 x 5/8" Black Carriage Bolt
13	152014	3	1/4-20 Free Spin Wash Nut
14	881210	1	Black Main Door Handle ONLY
15	102211	1	20-7/16" Door Glass (for models mfd. prior to February 8, 2001 and as of March 13, 2001)
	102218	1	20-7/16" Door Glass with Notch and Four (4) Holes (for models mfd. between February 8, 2001 and March 13, 2001)
	170731	1	Black Glass Adhesive (10.3 oz. cartridge)
16	151013	4	#10-32 Black Nylon Acorn Nut (for models mfd. between February 8, 2001 and March 13, 2001)

For Models Mfd. with Steel Loading Doors



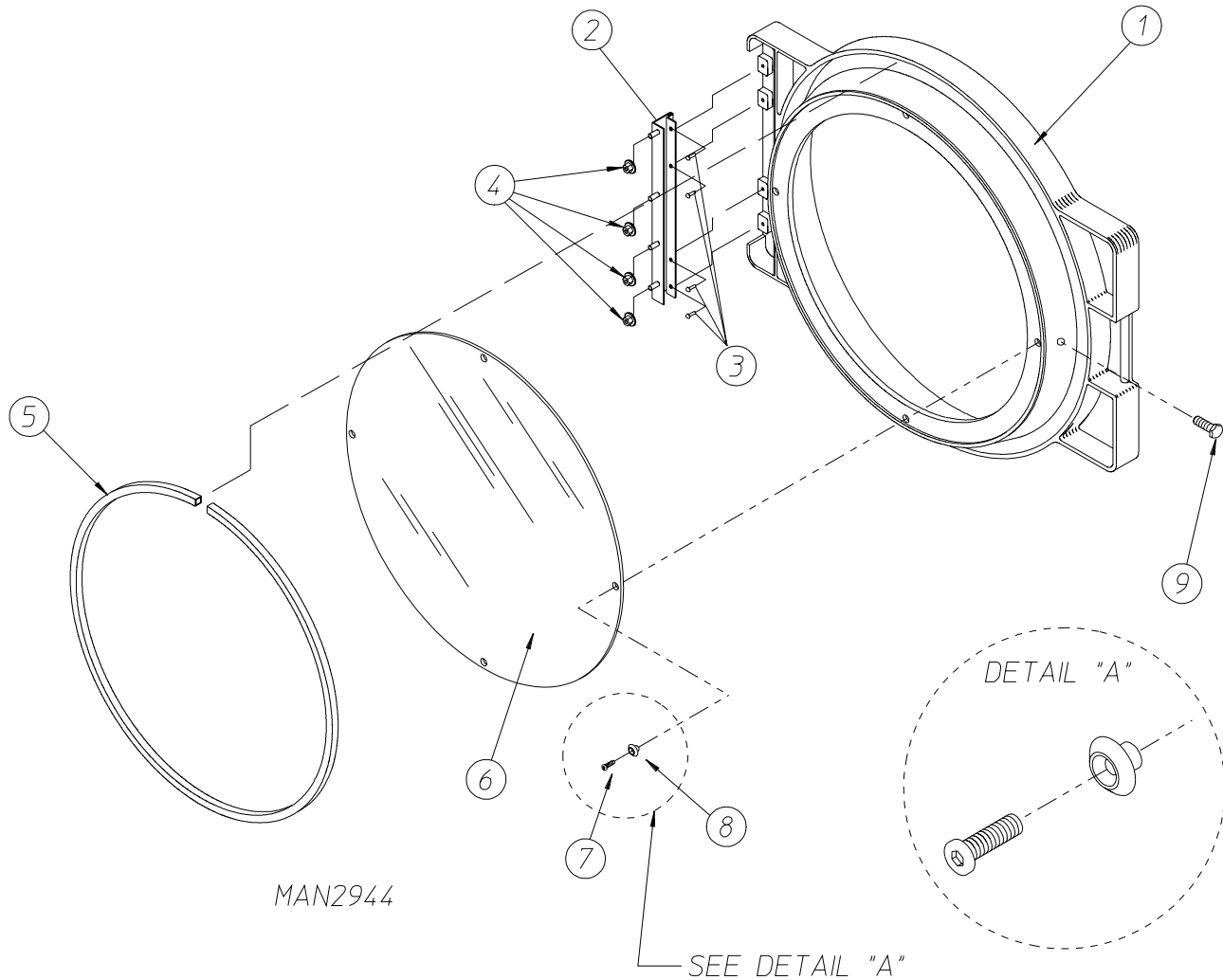
<u>Illus. No.</u>	<u>Part No.</u>	<u>Qty.</u>	<u>Description</u>
1	150006	2	#6-32 x 7/8" Phillips Pan Head Machine Screw
2	152013	2	#6-32 Hex Nut
3	153010	2	#6 Star Washer
4	137005	1	Door Switch
5	122636	2	Flag Terminal
6	881211	1	Black Main Door Switch Housing ONLY
	881153	1	Black Main Door Switch Housing Complete (includes illus. nos. 1 through 4 and 6)
7	150301	2	#8-18 x 7/16" Phillips Pan Head TEK Screw

For Models Mfd. with Plastic Loading Doors



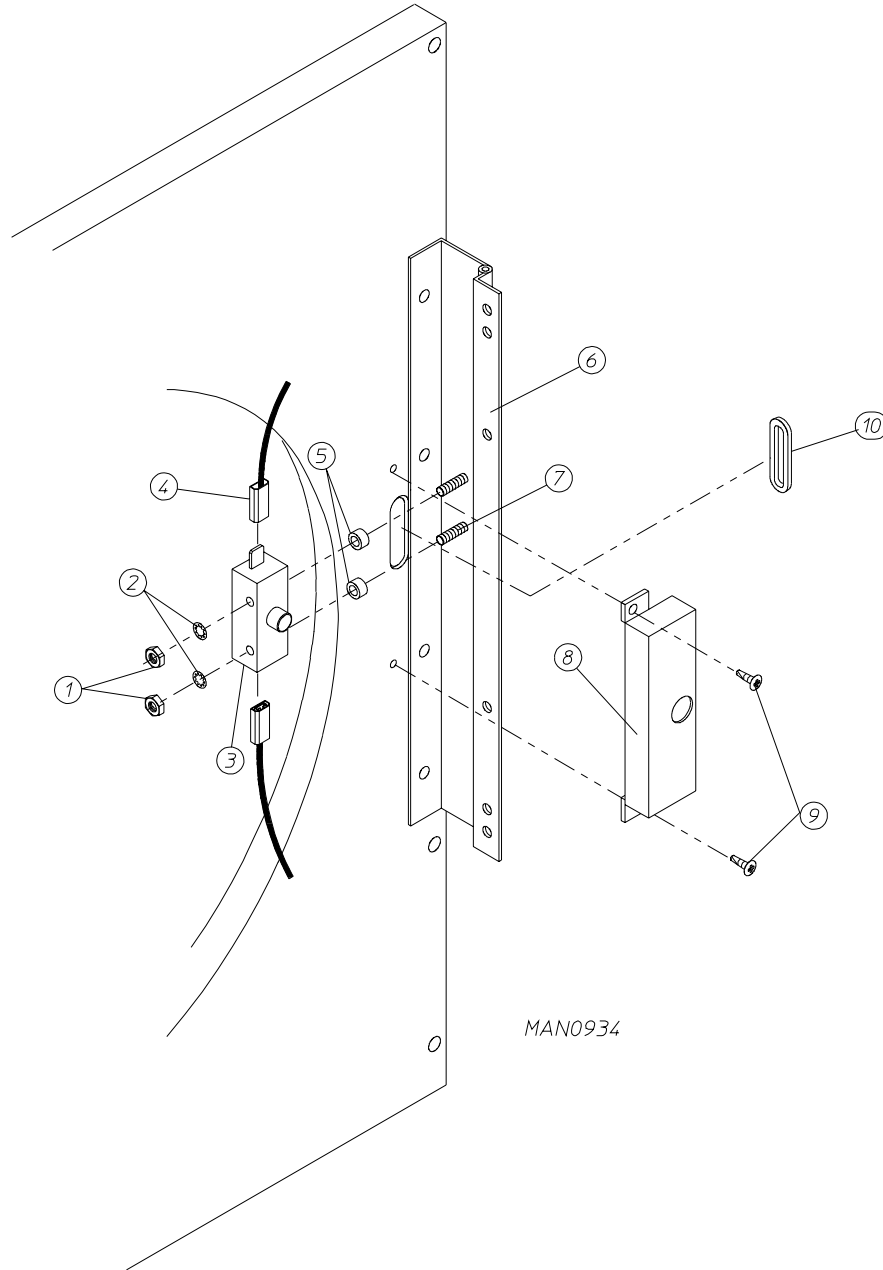
<u>Illus. No.</u>	<u>Part No.</u>	<u>Qty.</u>	<u>Description</u>
1	882753	1	White Front Panel Assembly (includes illus. nos. 1, 3, 5, and 6)
	882754	1	Almond "B" Front Panel Assembly (includes illus. nos. 1, 3, 5, and 6)
	882755	1	Coral Blue Front Panel Assembly (includes illus. nos. 1, 3, 5, and 6)
	882756	1	Bisque Front Panel Assembly (includes illus. nos. 1, 3, 5, and 6)
2	150309	11	#10-16 x 1/2" Hex Head TEK Crimptite Screw
3	121405	1	Rubber Grommet
4	-----	1	Lint Drawer Switch (refer to Lint Drawer/Lint Drawer Switch Assembly on page 19)
5	170330	1	Friction Door Latch
6	154215	2	5/32" Pop Rivet

For Models Mfd. with Plastic Loading Doors

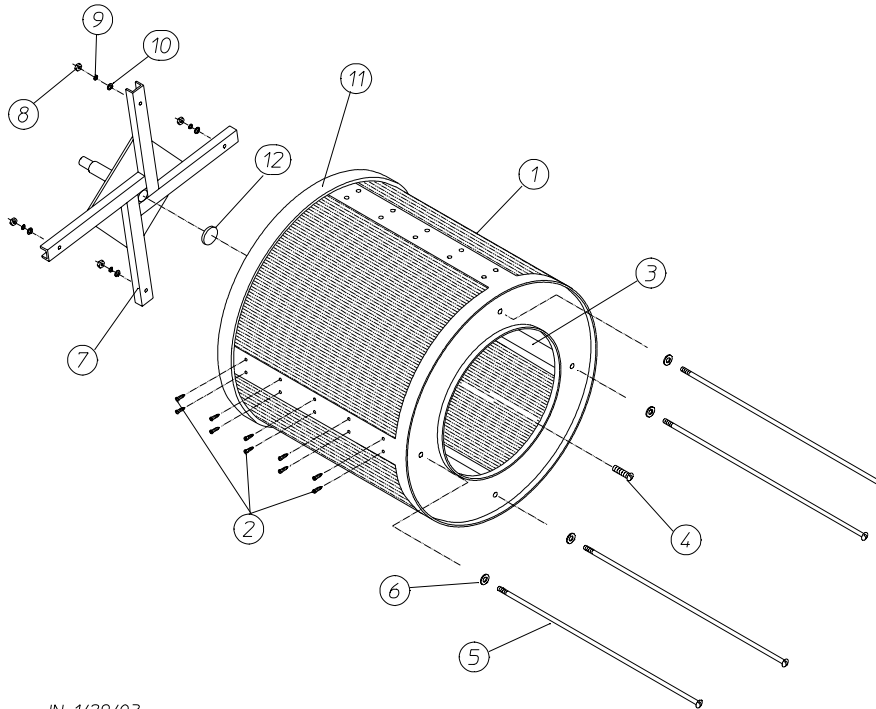


<u>Illus. No.</u>	<u>Part No.</u>	<u>Qty.</u>	<u>Description</u>
1	881422	1	Black Plastic Main Door Assembly Complete with Mechanical Fasteners (includes illus. nos. 1 and 5 through 9)
2	800448	1	12-1/2" Stainless Steel Main Door Hinge Assembly
3	150410	4	#10-24 x 3/8" Phillips Pan Head Taptite Screw
4	152014	4	1/4-20 Free Spin Wash Nut
5	102349	1	Main Door Gasket
6	102212	1	20-7/16" Door Glass with Four (4) Holes
	170730	1	Main Door Glass Adhesive (10.3 oz. cartridge)...Not Illustrated
7	150448	4	1/2" Stainless Steel Flat Head Allen Screw
8	170319	4	Door Glass (nylon) Spacer
9	150431	1	Main Door Latch Screw (#10 x 7/16" dome hex head)

For Models Mfd. with Plastic Loading Doors



<u>Illus. No.</u>	<u>Part No.</u>	<u>Qty.</u>	<u>Description</u>
1	152013	2	#6-32 Hex Nut
2	153008	2	#6 Lock Washer
3	137005	1	Single-Pole Door Switch
4	121028	2	Insulated Female Terminal
5	154281	2	3/8" Standard Nylon Spacer
6	800448	1	12-1/2" Stainless Steel Main Door Hinge Assembly (includes illus. nos. 6 and 7)
7	153565	2	#6-32 x 1" Self-Clinching Stud
8	313218	1	Main Door Switch Housing
9	150201	2	#10-32 x 1/4" Phillips Pan Head Machine Screw
10	121405	1	Rubber Grommet

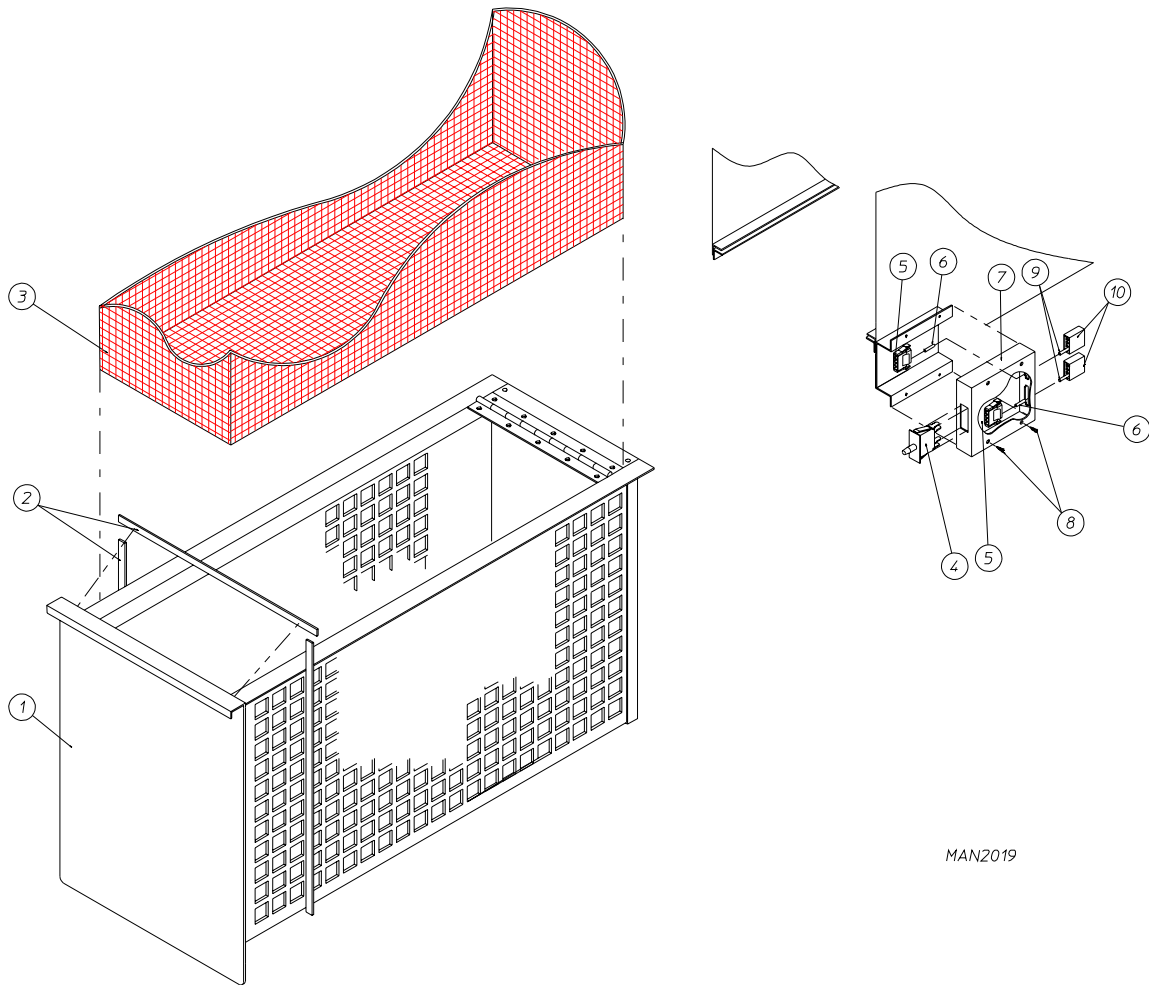


JN 1/29/03

MAN6526

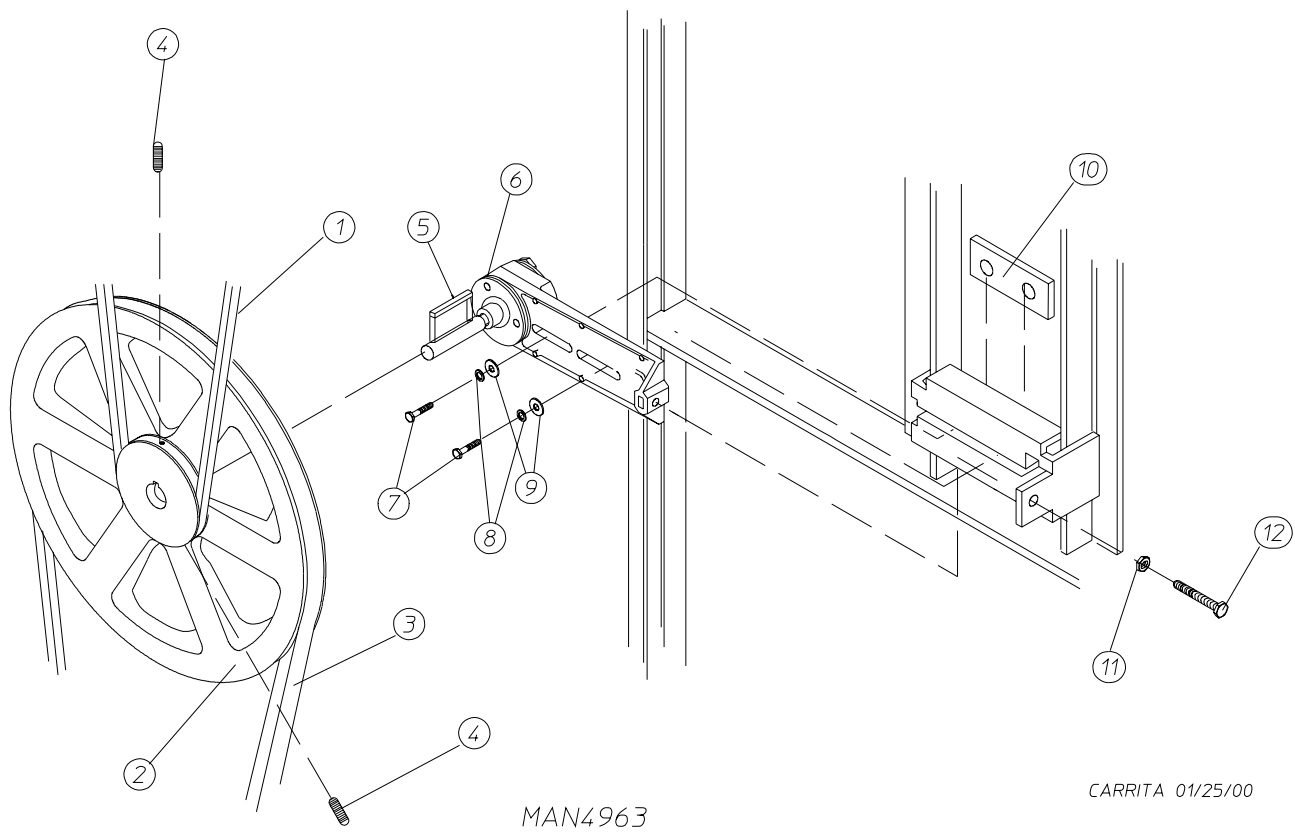
<u>Illus. No.</u>	<u>Part No.</u>	<u>Qty.</u>	<u>Description</u>
1*	800708	1	Basket (tumbler) ONLY without Felt Collar
	800857	1	Stainless Steel Basket (tumbler) ONLY without Felt Collar
	800816	1	Basket (tumbler) and Support Assembly Complete (includes illus. nos. 1 through 10)
	800873	1	Stainless Steel Basket (tumbler) and Support Assembly Complete (includes illus. nos. 1 through 10)
2	150313	40	#10-16 x 1/2" TORX Head CrimpTite Screw
	150429	1	TORX Hand Driver...Not Illustrated (for removal of TORX head screw)
3	301308	4	Basket (tumbler) Rib ONLY
	301408	4	Stainless Steel Basket (tumbler) Rib ONLY
4	150500	1	5/16-18 x 3/4" Socket Button Head Screw (for models mfd. prior to April 26, 2002)
5	100905	4	3/8-16 x 37" Tie Rod
6	153004	4	3/8" Flat Washer
7	800613	1	Basket (tumbler) Support ONLY
	100724	1	1/4" x 1/4" x 1-1/4" Basket (tumbler) Support Key (for models mfd. as of July 1, 2001)
	100713	1	1/4" x 1/4" x 7/8" Basket (tumbler) Support Key (for models mfd. prior to July 1, 2001)
8	152027	4	3/8-16 Nylon Insert Hex Nut
9	153005	4	3/8" Lock Washer
10	153004	4	3/8" Flat Washer
11	116000	1	Felt Collar ONLY
	401010	1	#847 Adhesive for Felt Collar...Not Illustrated
12	115986	1	1/4" x 2" Felt Basket (tumbler) Pad (for models mfd. as of May 20, 2002)

* Felt collar is not included and **must be** ordered separately.

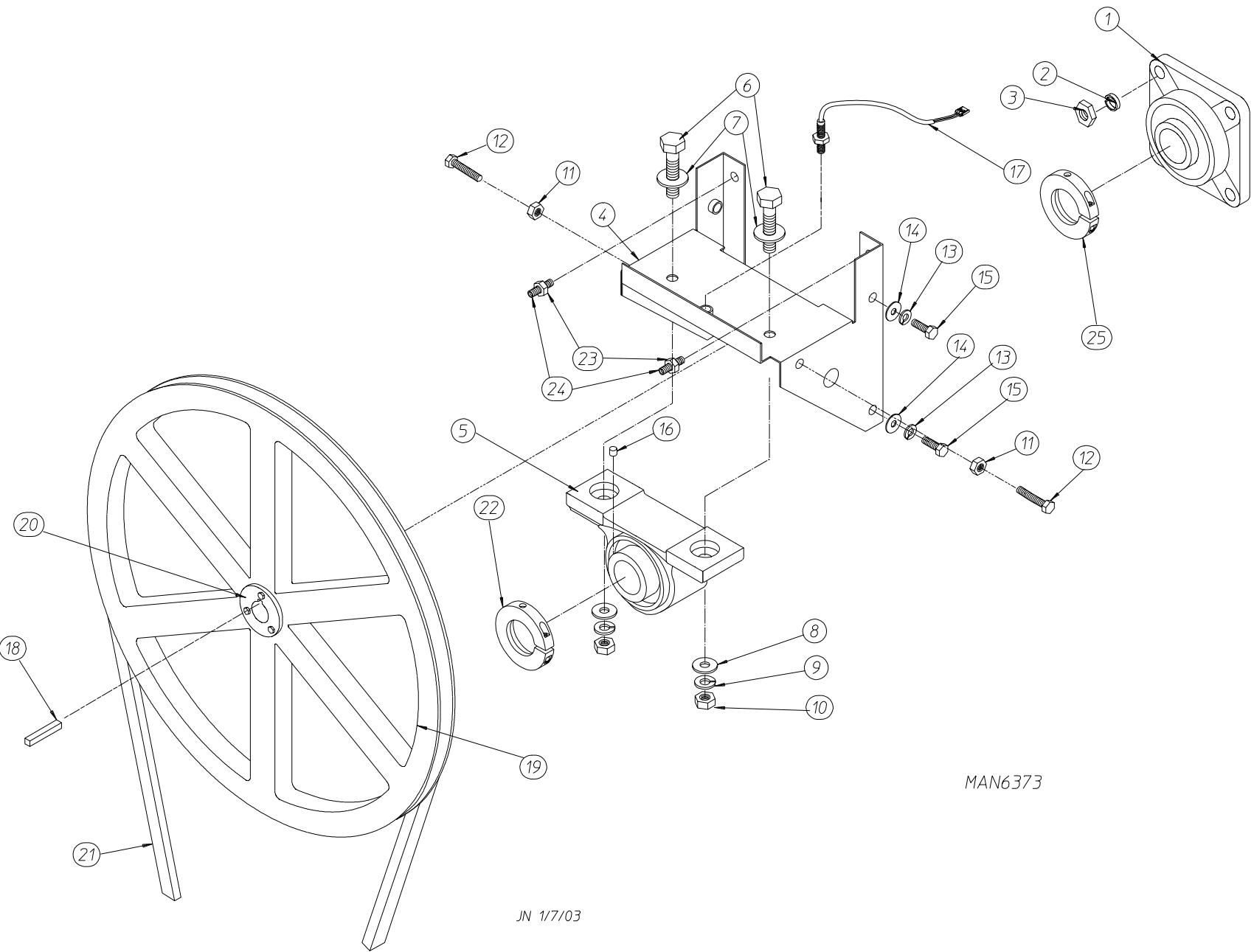


MAN2019

<u>Illus. No.</u>	<u>Part No.</u>	<u>Qty.</u>	<u>Description</u>
1	882757	1	White Lint Drawer Assembly (includes illus. nos. 1 and 2)
	882758	1	Almond "B" Lint Drawer Assembly (includes illus. nos. 1 and 2)
	882759	1	Coral Blue Lint Drawer Assembly (includes illus. nos. 1 and 2)
	882760	1	Bisque Lint Drawer Assembly (includes illus. nos. 1 and 2)
2	117605	5	Neoprene Sponge Tape (sold by the foot)
3	108222	1	Lint Screen Assembly
4	122116	1	Lint Drawer Switch
5	122605	2	4-Pin Connector (female)
6	122701	4	Socket Terminal ONLY
	122801	1	Pin/Socket Extraction Tool...Not Illustrated
7	818087	1	Lint Drawer Switch Box Assembly (includes illus. nos. 4 and 7)
	304136	1	Lint Drawer Switch Box Cover
8	150301	2	#8-18 x 7/16" Phillips Pan Head TEK Screw
9	122700	4	Pin Terminal ONLY
10	122604	2	4-Pin Connector (male)



<u>Illus. No.</u>	<u>Part No.</u>	<u>Qty.</u>	<u>Description</u>
1	100108	1	5L-680 V-Belt (basket [tumbler] to idler)
2	101140	1	14" x 3" Compound Pulley
3	100194	1	4L-720 V-Belt (idler to motor) for Non-Reversing Models ONLY
	100109	1	4L-650 V-Belt (idler to motor) for Reversing Models ONLY
4	154301	2	5/16-18 x 1" Allen Setscrew
5	100705	1	3/16" x 3/16" x 1-3/8" Key
6	882576	1	Idler Bearing Assembly Complete (includes illus. nos. 5 through 12)
7	150617	2	3/8-16 x 1" Hex Head Machine Bolt
8	153005	2	3/8" Lock Washer
9	153004	2	3/8" Flat Washer
10	801009	1	Idler Square Washer
11	152004	1	5/16-18 Hex Nut
12	150509	1	5/16-18 x 3" Hex Head Machine Bolt

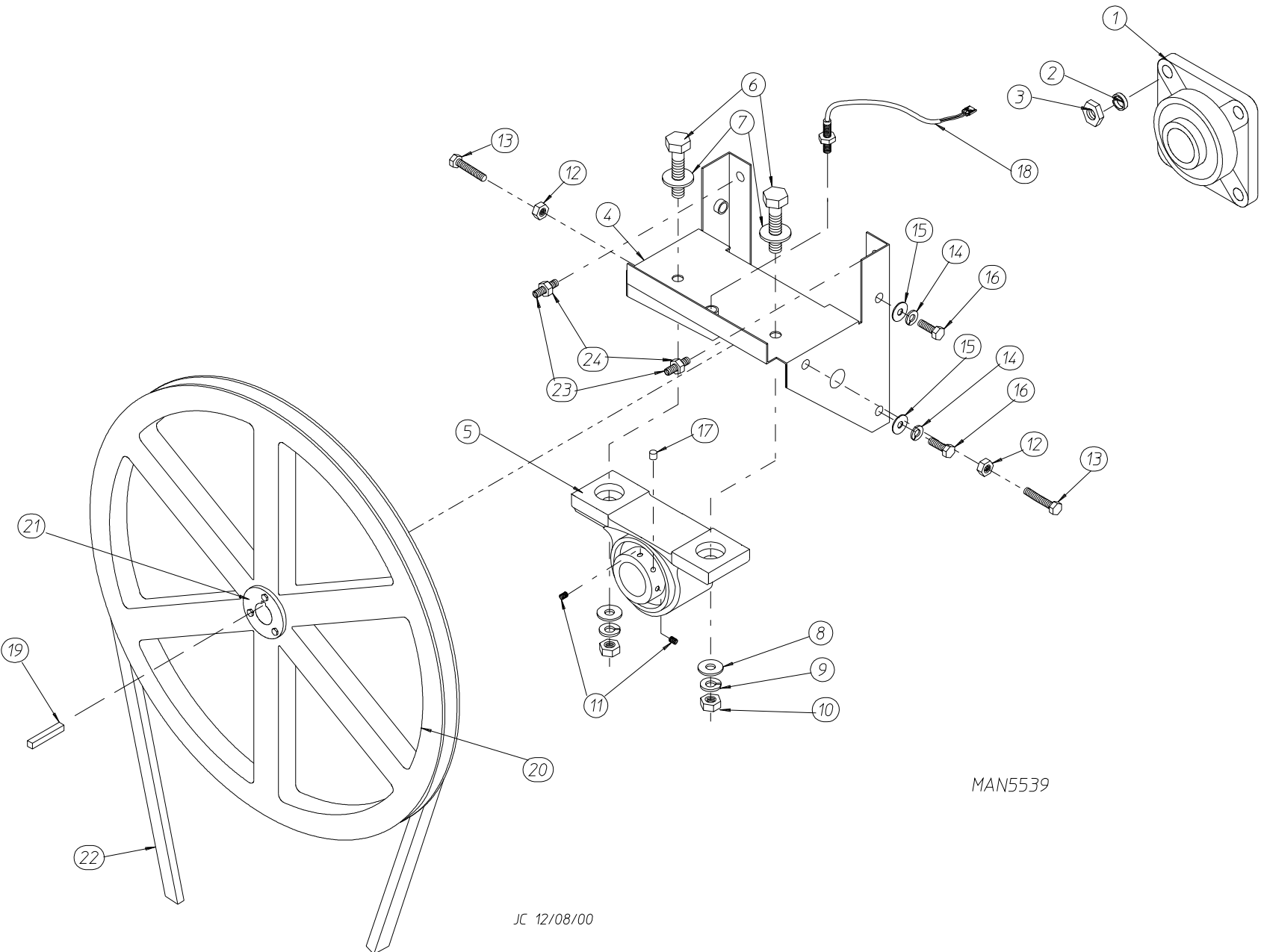


MAN6373

JN 1/7/03

For Models Mfd. with Griplock Type Bearings

<u>Illus. No.</u>	<u>Part No.</u>	<u>Qty.</u>	<u>Description</u>
1	883735	1	1-3/4" Flange Bearing (griplock)
2	153025	4	9/16" Lock Washer
3	152050	4	9/16-12 Hex Nut
4	883734	1	Pillow Block Bearing Assembly Complete (includes illus. nos. 4 through 15)
	883742	1	Pillow Block Bearing Assembly Complete with Rotational Sensor Magnet (includes illus. nos. 4 through 17)
	800980	1	Pillow Block Bearing Platform ONLY (for nonrotational sensor models)
	800982	1	Pillow Block Bearing Platform ONLY (for rotational sensor models)
5	883737	1	1-3/8" Pillow Block Bearing
6	150601	2	3/8-16 x 2" Hex Bolt
7	153004	2	3/8" Flat Washer
8	153004	2	3/8" Flat Washer
9	153005	2	3/8" Lock Washer
10	152005	2	3/8-16 Hex Nut
11	152004	2	5/16-18 Hex Nut
12	150621	2	5/16-18 x 1-1/2" Tap Bolt
13	153002	4	5/16" Lock Washer
14	153004	4	3/8" Flat Washer
15	150501	4	5/16-18 x 3/4" Tap Bolt
16	102120	1	Sintered 8 Magnet (for reversing models Only)
17	824807	1	Rotational Sensor Assembly
18	100735	1	Shaft Key (for reversing models Only)
19	101100	1	18" Pulley (for non-reversing models Only)
	101118	1	18-3/4" Pulley (for reversing models Only)
20	101110	1	1" Taper Lock Bushing (for reversing models Only)
21	100108	1	5L-680 V-Belt (basket [tumbler] to idler)
22	100270	1	1-3/8" Bearing Replacement Collar (griplock)
23	152004	2	5/16-18 Hex Nut
24	150610	2	5/16-18 x 1-1/2" Allen Setscrew
25	100272	1	1-3/4" Bearing Replacement Collar (griplock)

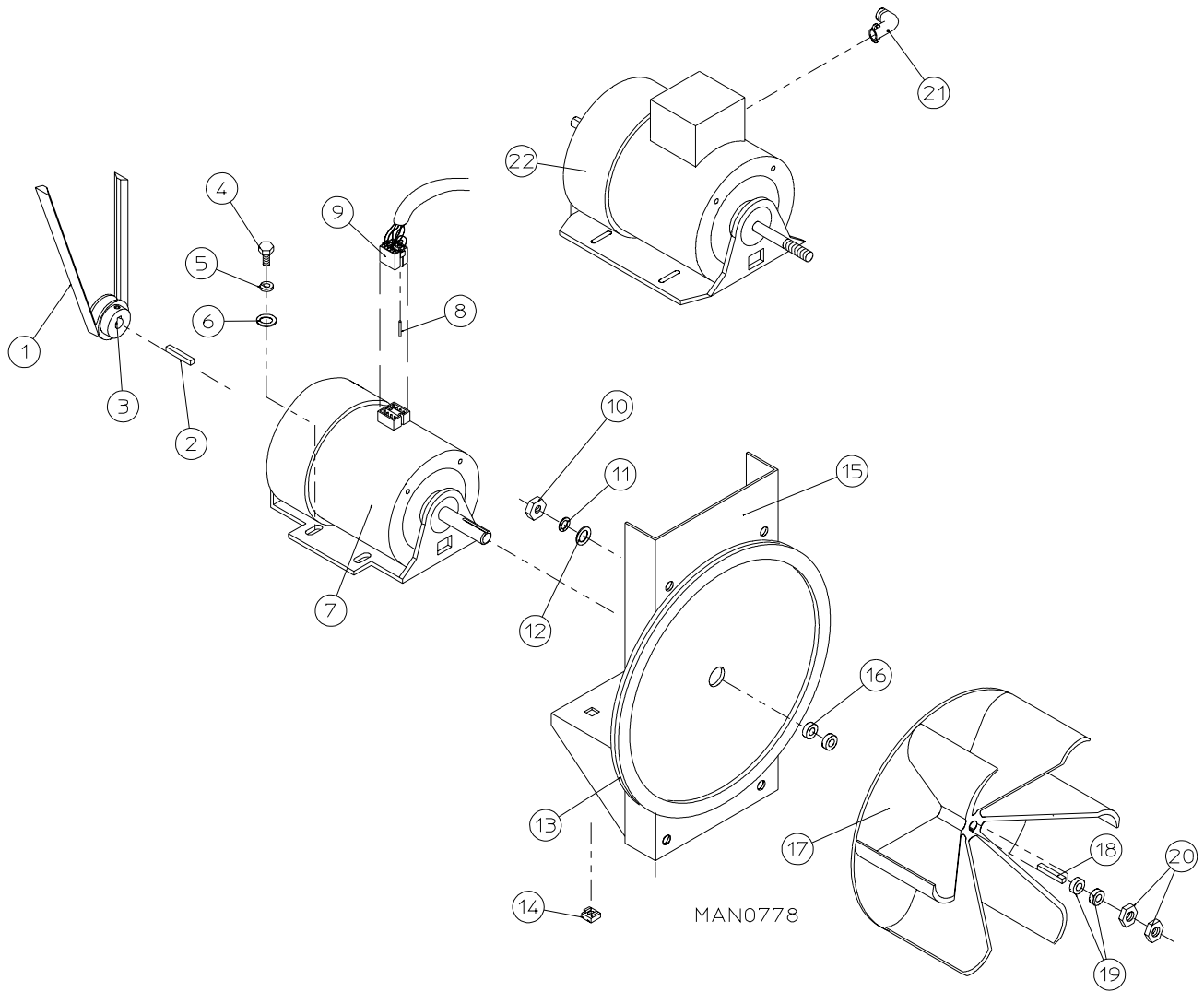


MAN5539

JC 12/08/00

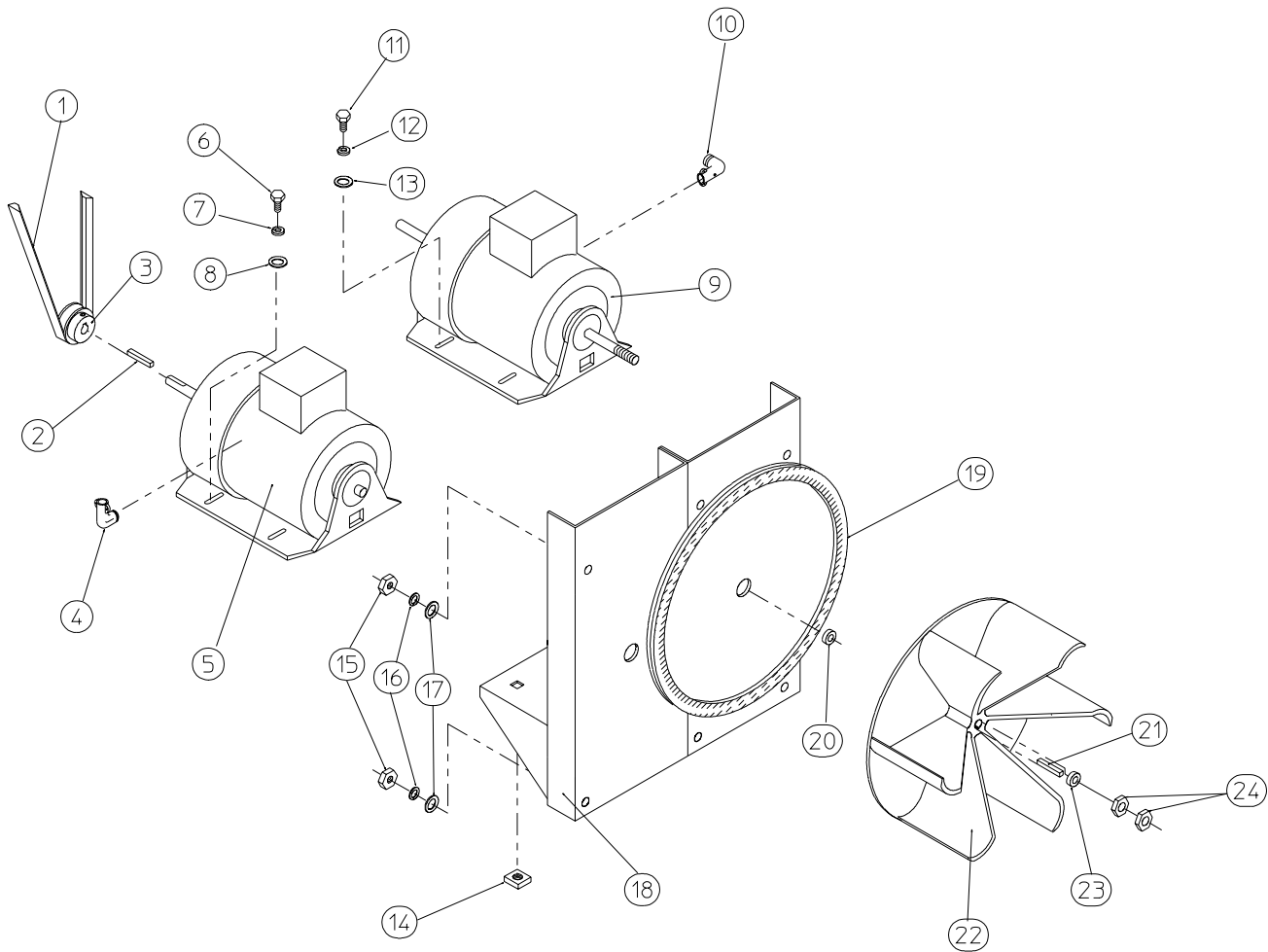
For Models Mfd. with Setscrew Type Bearings

<u>Illus. No.</u>	<u>Part No.</u>	<u>Qty.</u>	<u>Description</u>
1	880220	1	1-3/4" Flange Bearing
2	153025	4	9/16" Lock Washer
3	152050	4	9/16-12 Hex Nut
4	882544	1	Pillow Block Bearing Assembly Complete (includes illus. nos. 4 through 16)
	882545	1	Pillow Block Bearing Assembly Complete with Rotational Sensor and Magnet (includes illus. nos. 4 through 18)
	882542	1	Pillow Block Bearing Platform ONLY (for use with nonrotational sensor)
	882543	1	Pillow Block Bearing Platform ONLY (for use with rotational sensor) (includes illus. no. 17)
5	880202	1	1-3/8" Pillow Block Bearing
	880779	1	1-3/8" Pillow Block Bearing (for rotational sensor type models Only) (includes illus. nos. 5 and 17)
6	150601	2	3/8-16 x 2" Hex Bolt
7	153004	2	3/8" Flat Washer
8	153004	2	3/8" Flat Washer
9	153005	2	3/8" Lock Washer
10	152005	2	3/8-16 Hex Nut
11	154321	2	5/16-24 x 3/8" Allen Setscrew
12	152004	2	5/16-18 Hex Nut
13	150621	2	5/16-18 x 1-1/2" Tap Bolt
14	153002	4	5/16" Lock Washer
15	153004	4	3/8" Flat Washer
16	150501	4	5/16-18 x 3/4" Tap Bolt
17	102120	1	Sintered 8 Magnet (for reversing models Only)
18	824807	1	Rotational Sensor Assembly
19	100724	1	Shaft Key (for non-reversing models Only)
	100735	1	Shaft Key (for reversing models Only)
20	101100	1	18" Pulley (for non-reversing models Only)
	101118	1	18-3/4" Pulley (for reversing models Only)
21	101110	1	1" Taper Lock Bushing (for reversing models Only)
22	100108	1	5L-680 V-Belt (basket [tumbler] to idler)
23	150610	2	5/16-18 x 1-1/2" Allen Setscrew
24	152004	2	5/16-18 Hex Nut



<u>Illus. No.</u>	<u>Part No.</u>	<u>Qty.</u>	<u>Description</u>
1	100194	1	4L-720 V-Belt (idler to motor)
2	100701	1	3/16" x 3/16" x 1" Key
3	101133	1	5/8" x 2-1/4" Motor Pulley (60 Hz Only)
	101130	1	5/8" x 2-1/2" Motor Pulley (50 Hz Only)
4	150501	4	5/16-18 x 3/4" Tap Bolt
5	153002	4	5/16" Lock Washer
6	153001	4	5/16" Flat Washer
7	100073*	1	1 HP 120/208/230v 1 ϕ 60 Hz Motor with Plug (56Z frame)
	181050	1	1 HP 200v-240v 1 ϕ Motor (50 Hz Only)
8	122701	8	Socket Terminal ONLY
	122801	1	Pin/Socket Extraction Tool...Not Illustrated
9	137030	1	8-Pin Housing Connector
10	152004	4	5/16-18 Hex Nut
11	153002	4	5/16" Lock Washer
12	153001	4	5/16" Flat Washer
13	117604	4	Noise Suppression Tape (sold by the foot)
14	154000	4	5/16-18 Tinnerman Nut
15	803561	1	Non-Reversing Motor Mount ONLY (56Z frame)
	803945*	1	1 HP 120/230v 1 ϕ 60 Hz Motor Mount Assembly with Plug Complete (includes illus. nos. 2 through 7 and 13 through 20)
	801824	1	1 HP 200v-240v 1 ϕ 50 Hz Non-Reversing Motor Mount Assembly Complete (includes illus. nos. 2 through 7 and 13 through 20)
	803955*	1	1 HP 208v-230v/460v 3 ϕ 60 Hz Non-Reversing Motor Mount Assembly Complete (includes illus. nos. 2 through 6 and 13 through 22)
	803958*	1	1 HP 208v-230v/460v 3 ϕ 50 Hz Non-Reversing Motor Mount Assembly Complete (includes illus. nos. 2 through 6 and 13 through 22)
16	153051	1	3/4" Flat Washer
17	882670	1	16" Impellor with 3/4" Bore
18	100714	1	3/16" x 3/16" x 1-7/8" Key
19	153050	2	1/2" Flat Washer
20	152006	2	1/2-20 Left Hand Jam Nut
21	120200	1	3/8" x 90° Connector
22	100075*	1	1 HP 208-230v 3 ϕ 50/60 Hz Motor

* Specify voltage when ordering.



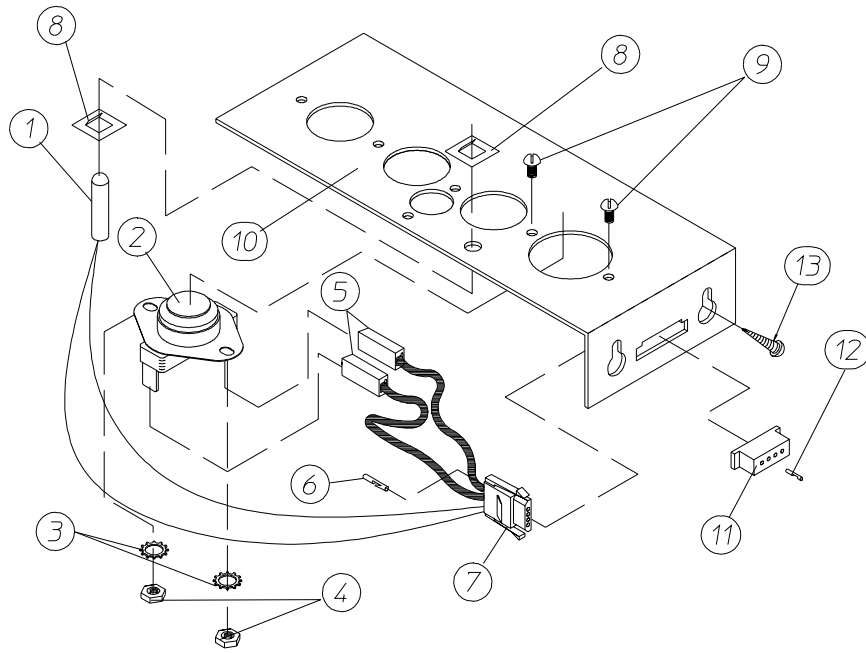
MAN0250

<u>Illus. No.</u>	<u>Part No.</u>	<u>Qty.</u>	<u>Description</u>
1	100109	1	4L-650 V-Belt (to idler assembly)
2	100701	1	3/16" x 3/16" x 1" Key
3	101133	1	5/8" x 2-1/4" Motor Pulley (60 Hz Only)
	101130	1	5/8" x 2-1/2" Motor Pulley (50 Hz Only)
4	120200	1	3/8" x 90° Connector
5	181003	1	1/2 HP 208v-416v 50/60 Hz 460v 60 Hz 3ø Motor (56Z frame)
6	150501	4	5/16-18 x 3/4" Tap Bolt
7	153002	4	5/16" Lock Washer
8	153001	4	5/16" Flat Washer
9	100075*	1	1 HP 208v-230v/460v 3ø 50/60 Hz Motor with 3/4" Shaft (56Z frame)
10	120200	1	3/8" x 90° Connector
11	150501	4	5/16-18 x 3/4" Tap Bolt
12	153002	4	5/16" Lock Washer
13	153001	4	5/16" Flat Washer
14	154000	8	5/16-18 Tinnerman Nut
15	152004	6	5/16-18 Hex Nut
16	153002	6	5/16" Lock Washer
17	153001	6	5/16" Flat Washer
18	803566	1	Reversing Motor Mount ONLY (56Z frame)
	804029**	1	60 Hz Reversing Motor Mount Assembly Complete (includes illus. nos. 2 through 14 and 18 through 24)
	804030**	1	50 Hz Reversing Motor Mount Assembly Complete (includes illus. nos. 2 through 14 and 18 through 24)
19	117604	5	Noise Suppression Tape (sold by the foot)
20	153051	1	3/4" Flat Washer
21	100714	1	3/16" x 3/16" x 1-7/8" Key
22	882670	1	16" Impellor with 3/4" Bore
23	153050	***	1/2" Flat Washer
24	152006	2	1/2-20 Left Hand Jam Nut

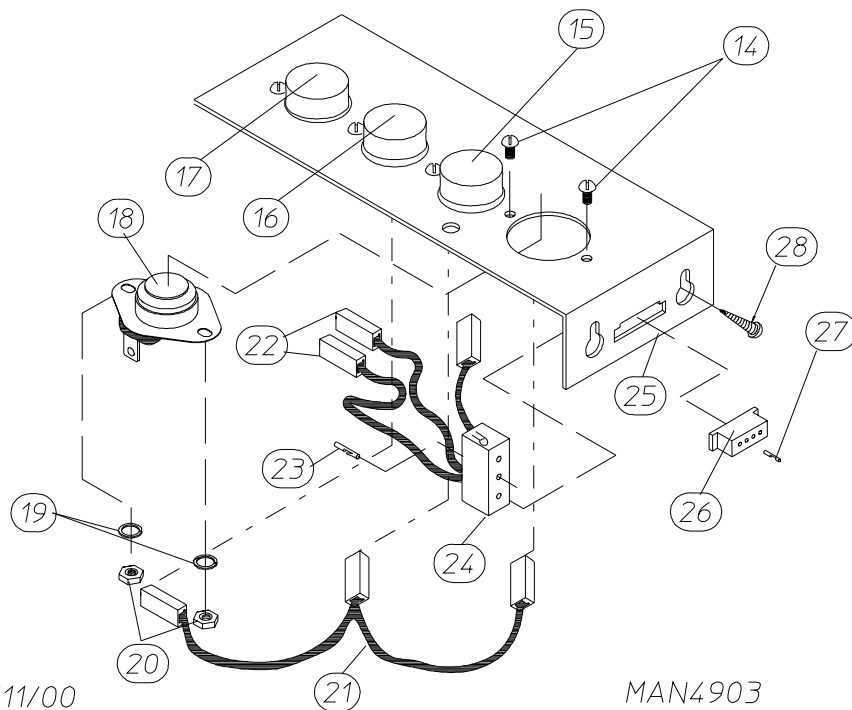
* Check part number on motor data label to verify correct motor.

** Specify voltage when ordering.

*** As required.



MICROPROCESSOR SENSOR BRACKET ASSEMBLY

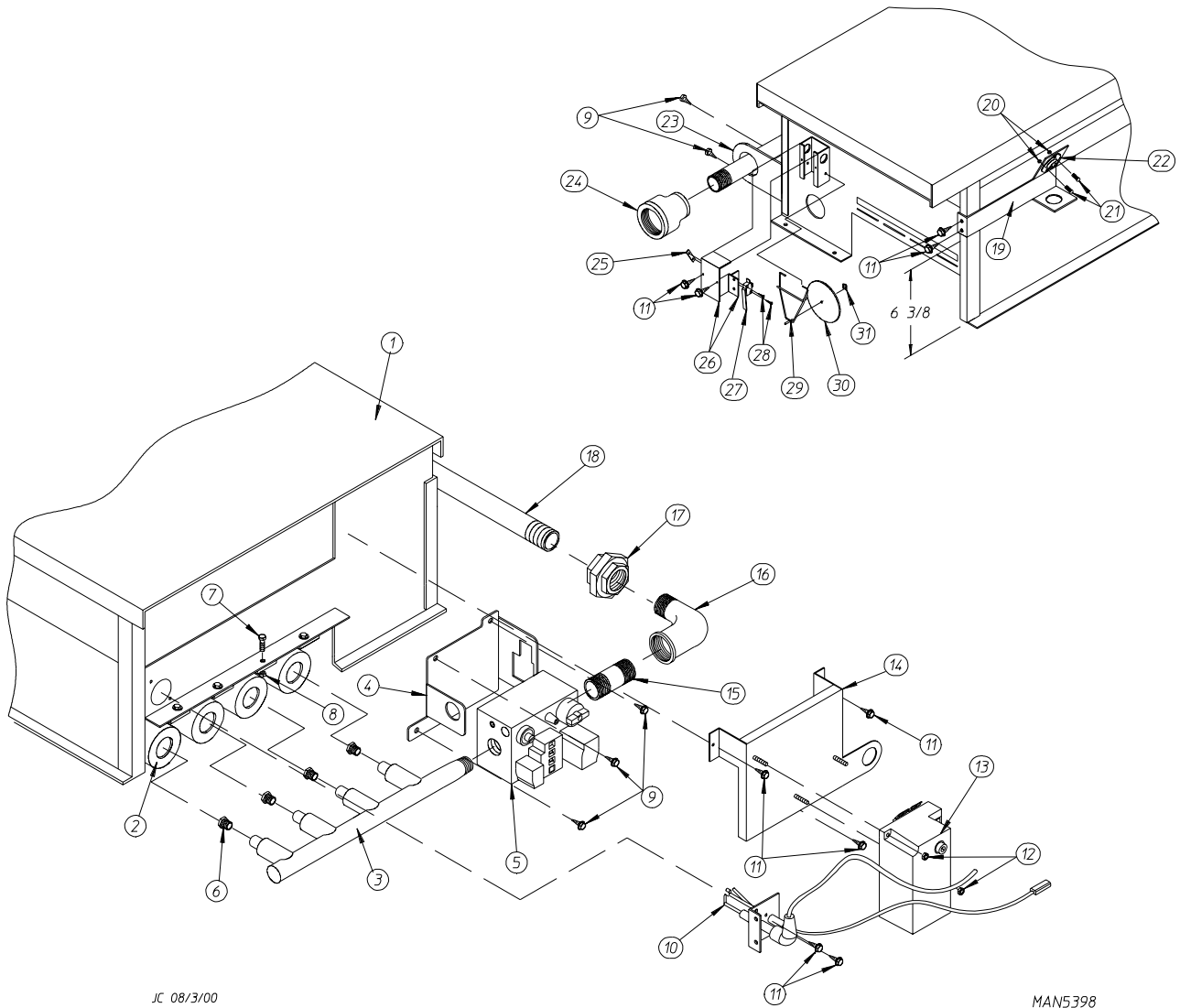


DX 01/11/00

MAN4903

NON-COMPUTER SENSOR BRACKET ASSEMBLY

<u>Illus. No.</u>	<u>Part No.</u>	<u>Qty.</u>	<u>Description</u>
1	880251	1	1/4" Temperature Sensor Probe Assembly (includes illus. nos. 1 and 5 through 8)
2	130103	1	225° Large Automatic Reset Thermostat
3	153010	2	#6 Star Washer
4	152000	2	#6-32 Hex Nut
5	121028	2	Insulated Female Terminal
6	122701	4	Socket Terminal ONLY
	122801	1	Pin/Socket Extraction Tool...Not Illustrated
7	122605	1	4-Pin Connector (female)
8	154007	2	1/4" Tinnerman Push On Fastener
9	150005	2	#6-32 x 1/4" Phillips Round Head Machine Screw
10	824051	1	Microprocessor Sensor Bracket Assembly Complete (includes illus. nos. 1 through 10)
	322062	1	Universal Sensor Bracket ONLY
11	122604	1	4-Pin Connector (male)
12	122700	4	Pin Terminal ONLY
13	150301	2	#8-18 x 7/16" Phillips Pan Head TEK Screw
14	150005	5	#6-32 x 1/4" Phillips Round Head Machine Screw
15	130111	1	130° Large Thermostat
16	130100	1	150° Large Thermostat
17	130103	1	225° Large Automatic Reset Thermostat
18	130101	1	180° Large Thermostat
19	153010	5	#6 Star Washer
20	152000	5	#6-32 Hex Nut
21	882535	1	Sensor Jumper ONLY
22	121028	4	Insulated Female Terminal
23	122701	4	Socket Terminal ONLY
24	122605	1	4-Pin Connector (female)
	882534	1	Sensor Bracket Harness Assembly (includes illus. nos. 22 through 24)
25	882536	1	Noncomputer Sensor Bracket Assembly Complete - Includes Thermostats (includes illus. nos. 14 through 25)
	322062	1	Universal Sensor Bracket ONLY
26	122604		4-Pin Connector (male)
27	122700	4	Pin Terminal ONLY
	122801	1	Pin/Socket Extraction Tool...Not Illustrated
28	150301	2	#8-18 x 7/16" Phillips Pan Head TEK Screw

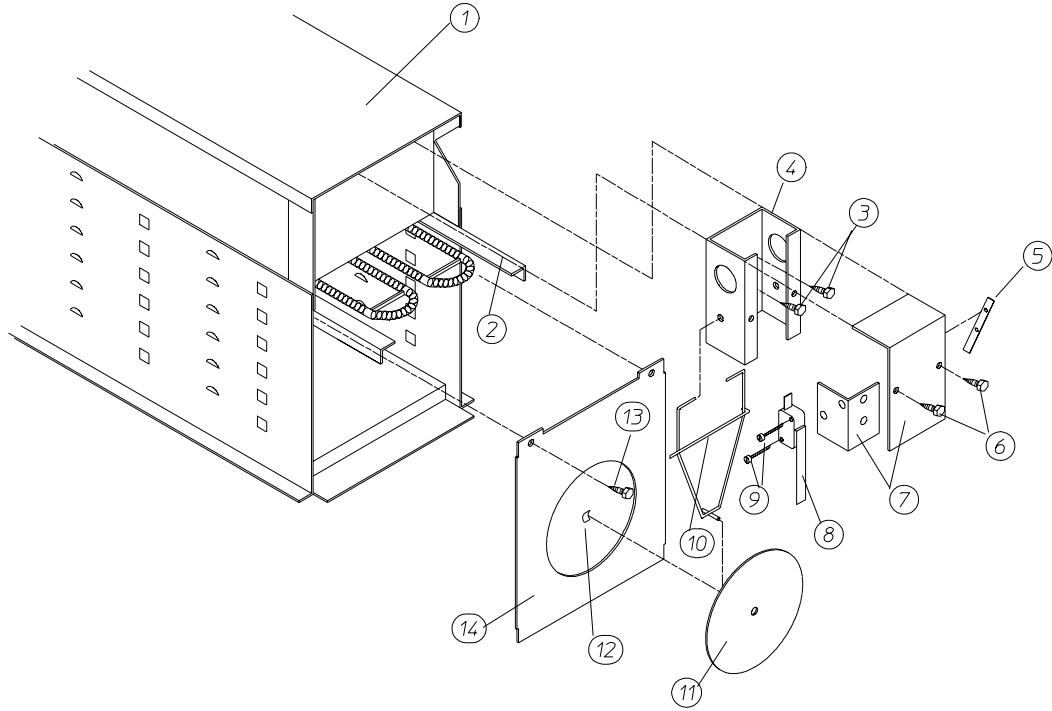


Illus. No.	Part No.	Qty.	Description
1*	882773	1	Natural Gas Burner Assembly Complete (for models mfd. with natural gas Only) (includes illus. nos. 1 through 31)
	882775	1	Liquid Propane (L.P.) Gas Burner Assembly Complete (for models mfd. with liquid propane [L.P.] gas Only) (includes illus. nos. 1 through 31)
	814832	1	Burner Box ONLY
2	141105	4	Large Burner Tube
3	141210	1	3/4" Direct Spark Ignition (DSI) Manifold (4-port)
4	318714	1	Bracket for Horizontal Facing Gas Valve
5	128927	1	1/2" 24 VAC Redundant (natural gas) Gas Valve
	880960	1	1/2" 24 VAC Direct Spark Ignition (DSI) Liquid Propane (L.P.) Gas Valve Assembly
	882575	1	AD-75v Liquid Propane (L.P.) Conversion Kit
6*	140820	4	#29 Burner Orifice (natural gas) ONLY
	140805	4	#47 Burner Orifice (liquid propane [L.P.] gas Only)

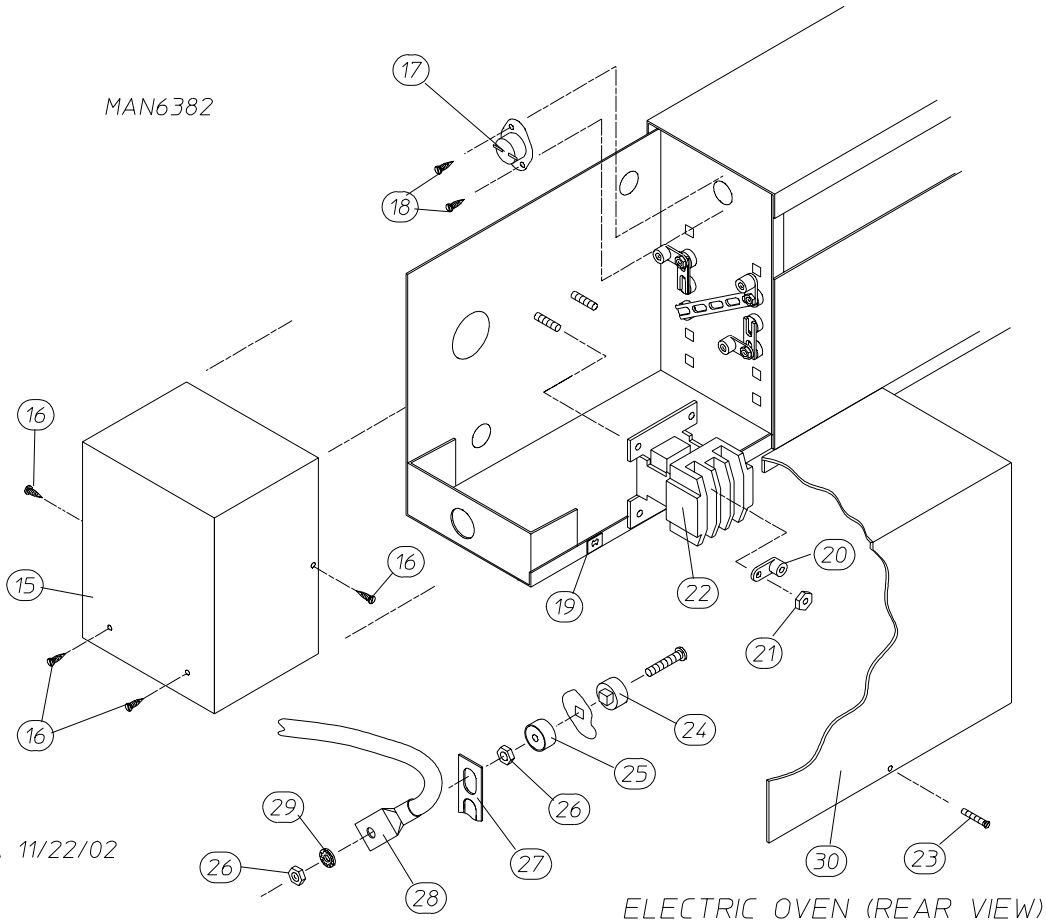
<u>Illus. No.</u>	<u>Part No.</u>	<u>Qty.</u>	<u>Description</u>
7	150103	4	#8-32 x 3/4" Phillips Round Head Machine Screw
8	151001	4	#8-32 Pal Nut
9	150300	5	#10-16 x 1/2" Hex Washer TEK Screw
10	809309	1	Ignitor Probe Assembly with 19" Leads
11	150309	9	#10-16 x 1/2" Hex Head TEK Crimptite Screw
12	152013	2	#6-32 Hex Nut
13	128935	1	Direct Spark Ignition (DSI) Module with Three (3) Tries
14	817027	1	Johnson Controls Direct Spark Ignition (DSI) Module Mounting Bracket
15	142707	4	1/2" x 1-1/2" Long Black Nipple
16	142506	1	1/2" Street Elbow
17	142600	1	1/2" Black Union
18	142809	1	1/2" x 29-1/8" Nipple
19	319704	1	Hi-Limit Mounting Bracket
20	151000	2	#6-32 Pal Nut
21	150001	2	#6-32 x 1/2" Phillips Round Head Machine Screw
22	130201	1	330° Hi-Limit Manual Reset
23	318700	1	Pipe Bracket (bent)
24	143000	1	3/4" to 1/2" Reducing Coupling
25	154004	1	Twin Speed Nut
26	802799	1	Sail Switch Box Cover and Bracket ONLY (refer to Sail Switch Assembly on page 36)
27	122200	1	Sail Switch ONLY
28	150303	2	#4 x 3/4" Pan Head "A" Machine Screw
29	105500	1	Sail Switch Actuator Rod
30	319202	1	Sail Switch Damper (flat)
31	154002	1	1/8" Push On Fastener
**	882772	1	Steam to Gas Interface Plate...Not Illustrated

* Consult factory for elevations over 2,000 feet.

** Needed when converting from steam to gas heat.



ELECTRIC OVEN (FRONT VIEW)



MAN6382

JCARRITA 11/22/02

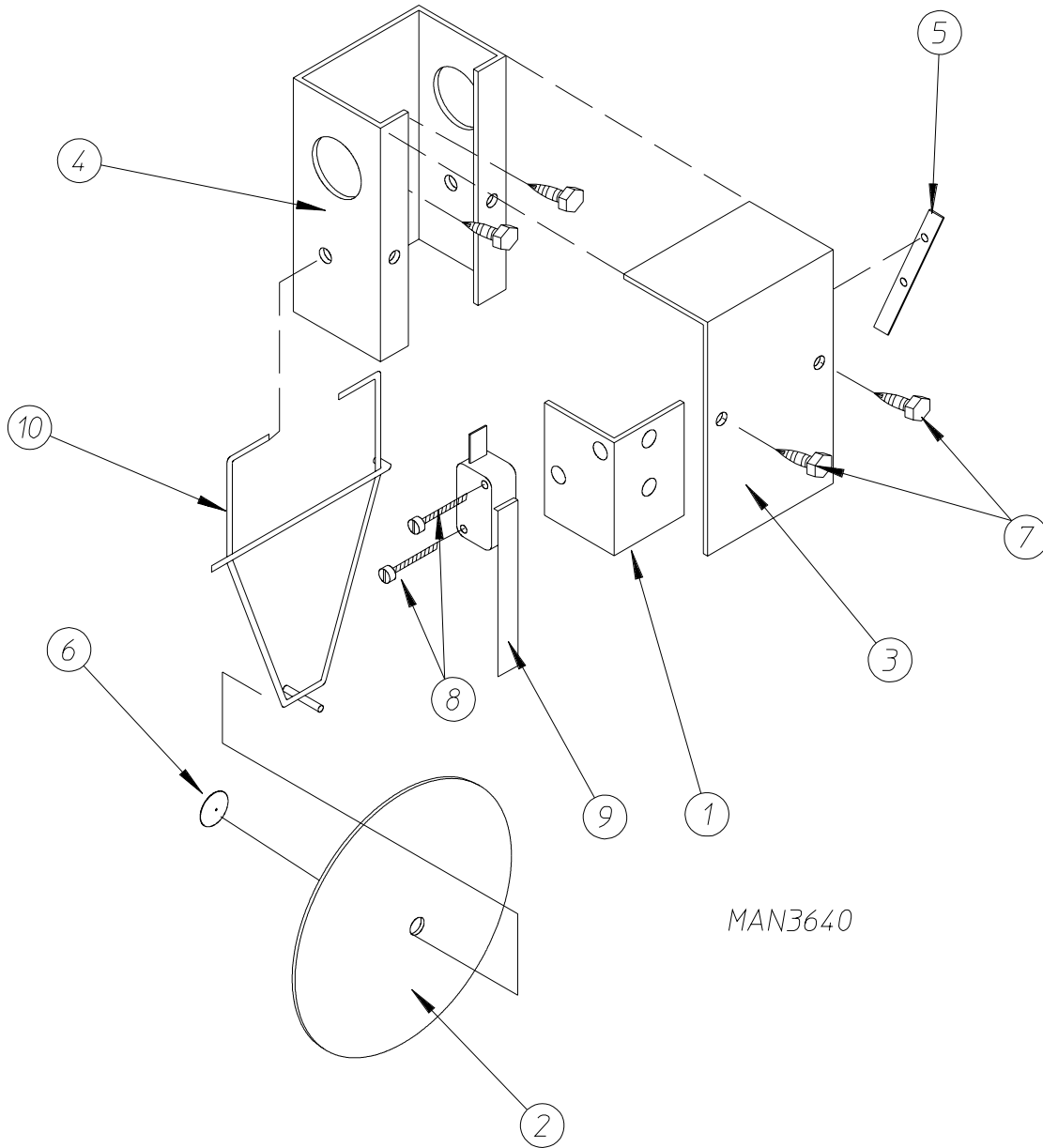
ELECTRIC OVEN (REAR VIEW)

<u>Illus. No.</u>	<u>Part No.</u>	<u>Qty.</u>	<u>Description</u>
1	803005	1	Large Electric Oven Box ONLY
	-----*	1	Electric Oven Assembly Complete
2	-----*	-	Electric Element
3	150300	2	#10-16 x 1/2" Hex Washer TEK Screw
4	802800	1	Sail Switch Box with Bracket and Cover ONLY
	802801	1	Sail Switch Box Assembly Complete (includes illus. nos. 4 through 12)
5	154004	1	Twin Speed Nut
6	150309	2	#10-16 x 1/2" Hex Head TEK Crimptite Screw
7	802799	1	Sail Switch Box Cover and Bracket ONLY
8	122200	1	Sail Switch ONLY
9	150303	2	#4 x 3/4" Pan Head "A" Machine Screw
10	105500	1	Sail Switch Actuator Rod
11	319202	1	Sail Switch Damper (flat)
12	154002	1	1/8" Push On Fastener
13	150300	2	#10-16 x 1/2" Hex Washer TEK Screw
14	803100	1	Electric Oven Front Cover ONLY
15	320611	1	Large Relay Box Cover ONLY
16	150301	2	#8-18 x 7/16" Phillips Pan Head TEK Screw
17	130400	1	290° Hi-Limit
18	150300	2	#10-16 x 1/2" Hex Washer TEK Screw
19	154001	1	#10-24 Speed Nut
20	121012	1	Terminal Lug for 110-8 Wire
21	152014	3	1/4-20 Free Spin Wash Nut
22	-----*	1	Oven Relay
23	150207	2	#10-24 x 5/8" Truss Head Machine Screw
24	120081	-	Internal Ceramic Insulator (2 per element)
25	120080	-	External Ceramic Insulator (2 per element)
26	152008	-	#10-32 Hex Nut (4 per element)
27	121011*	-	Bus Bar
28	-----**	-	Terminal Lug
29	153009	-	#10 Star Washer (2 per element)
30	320607	1	Large Electric Oven Right Side Cover ONLY
	882772***	1	Steam to Electric Interface Plate...Not Illustrated

* Refer to **Electric Oven Component Application Chart** on **page 46**.

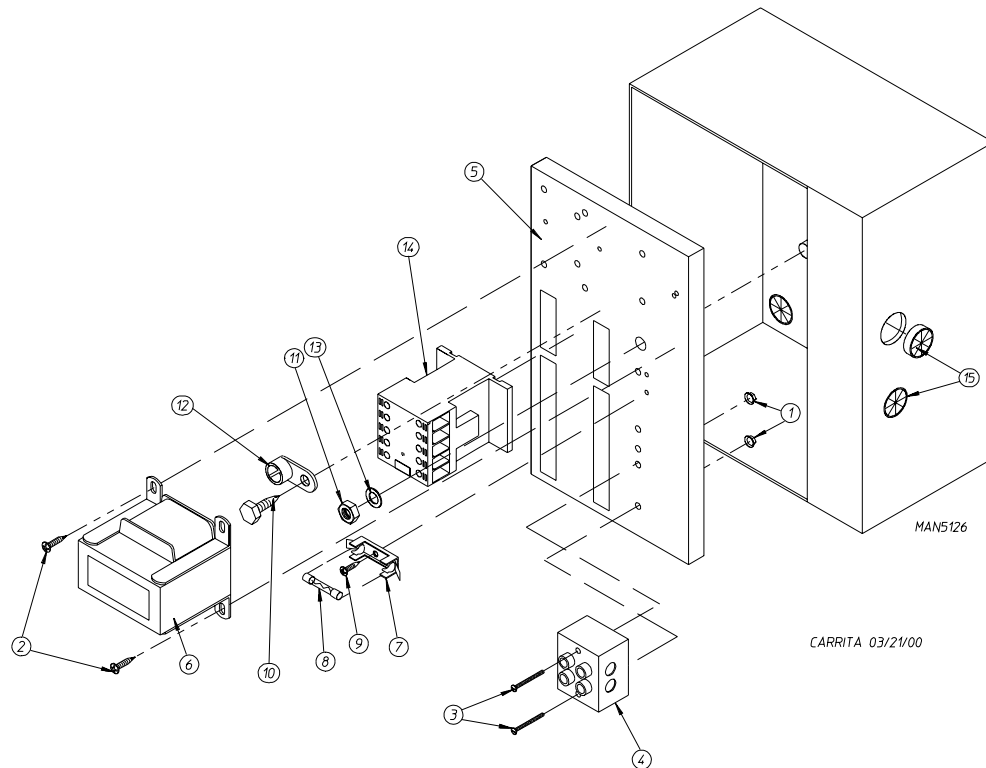
** Consult factory for wiring harness required.

*** Needed when converting from steam heat to electric heat.

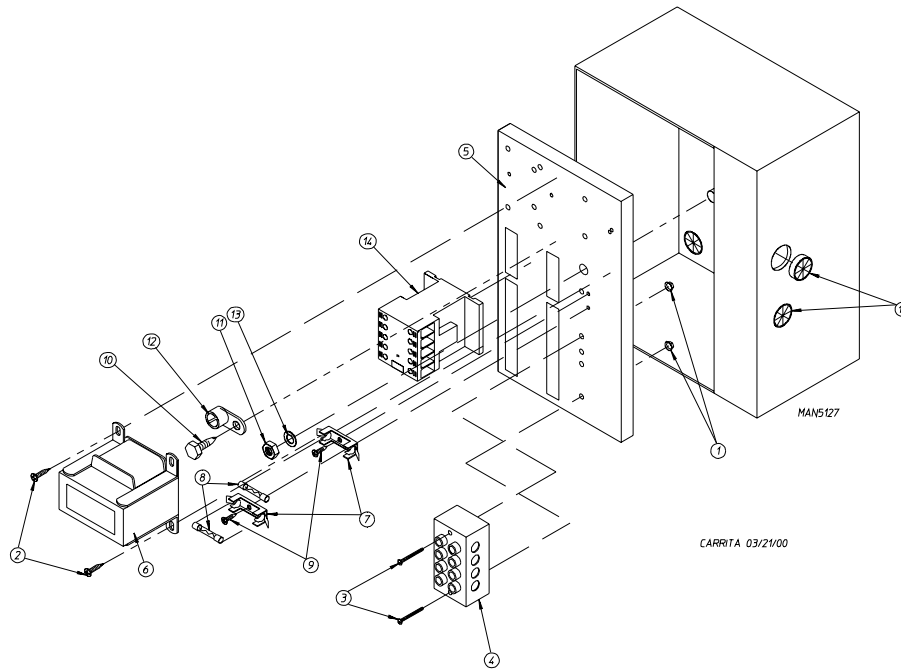


MAN3640

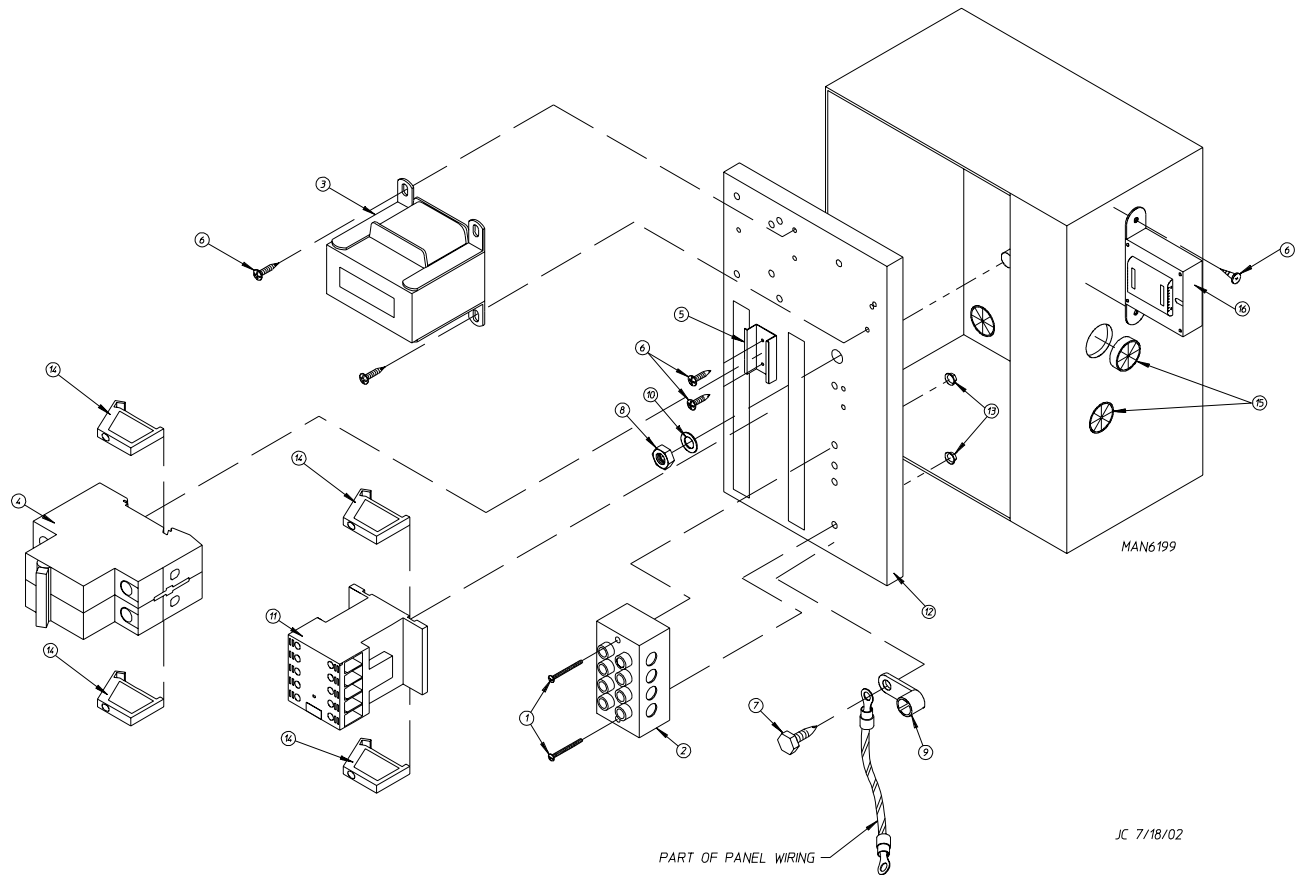
<u>Illus. No.</u>	<u>Part No.</u>	<u>Qty.</u>	<u>Description</u>
1	319203	1	Sail Switch Mounting Bracket
2	319202	1	Sail Switch Damper (flat)
3	319201	1	Sail Switch Box Cover
4	319200	1	Sail Switch Box
5	154004	1	Twin Speed Nut
6	154002	1	1/8" Push On Fastener
7	150309	4	#10-16 x 1/2" Hex Head TEK Crimptite Screw
8	150303	2	#4 x 3/4" Pan Head "A" Machine Screw
9	122200	1	Sail Switch ONLY
	881706	1	Sail Switch Box Assembly Complete (includes illus. nos. 1 through 10)
10	105500	1	Sail Switch Actuator Rod



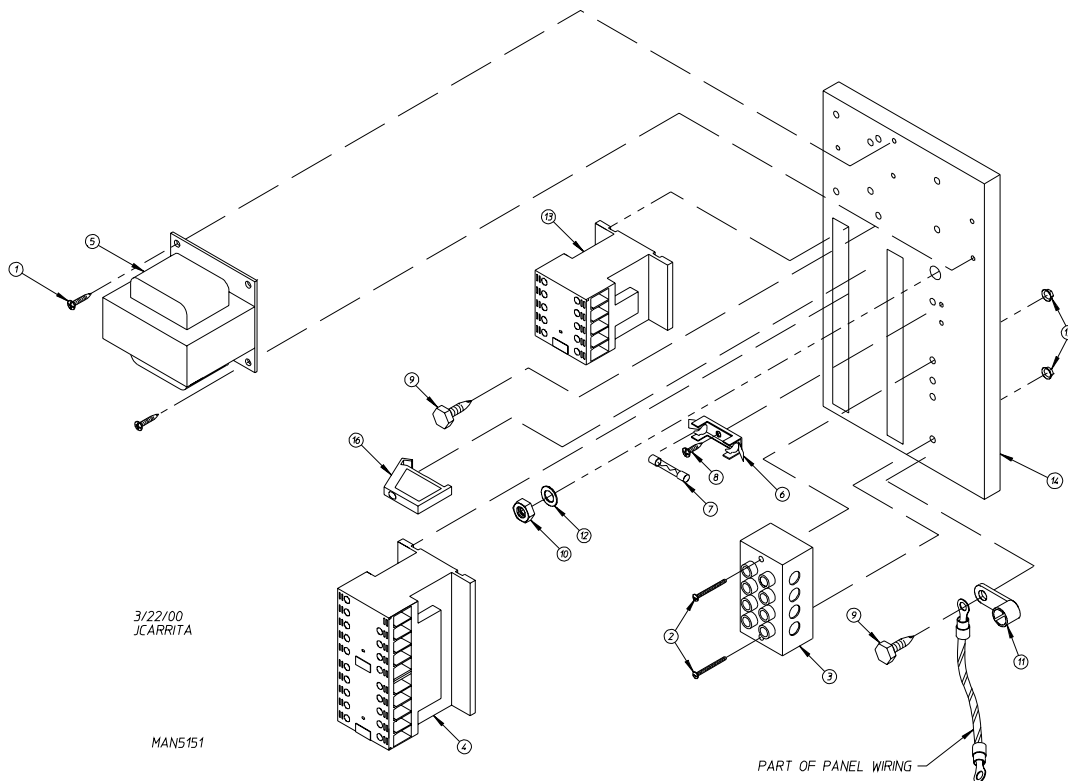
<u>Illus. No.</u>	<u>Part No.</u>	<u>Qty.</u>	<u>Description</u>
1	151000	2	#6-32 Pal Nut
2	150300	2	#10-16 x 1/2" Hex Washer TEK Screw
3	150008	2	#6-32 x 1-1/4" Phillips Pan Head Machine Screw
4	120716	1	2-Position Terminal Block
5	322817	1	Mounting Plate ONLY
	882662	1	Rear Electric Panel Assembly Complete - 120 Volt (includes illus. nos. 1 through 14)
	882663	1	Rear Electric Panel Assembly Complete - 208-240 Volt (for gas and steam models Only) (includes illus. nos. 1 through 14)
	818395	1	Rear Electric Panel Assembly Complete - 208-240 Volt (for electric models Only) (includes illus. nos. 1 through 14)
6	882652	1	Transformer Assembly - 120 Volt
	882653	1	Transformer Assembly - 208-240 Volt (for gas and steam models Only)
	818396	1	Transformer Assembly - 208-240 Volt (for electric models Only)
7	136008	1 or 2	Fuse Holder
8	136049	1	3/4-Amp (Slo-Blo) Fuse ONLY - 120 Volt
	136057	2	1/2-Amp (Slo-Blo) Fuse ONLY - 208-240 Volt
9	150301	1	#8-18 x 7/16" Phillips Pan Head TEK Screw
10	150297	1	#10 x 1/2" Hex Washer TEK Screw (green)
11	152004	1	5/16-18 Hex Nut
12	121010	1	L-70 Ground Lug
13	153002	1	5/16" Lock Washer
14	132459	1	3-Pole Contactor
15	121300	3	Open/Closed Bushing



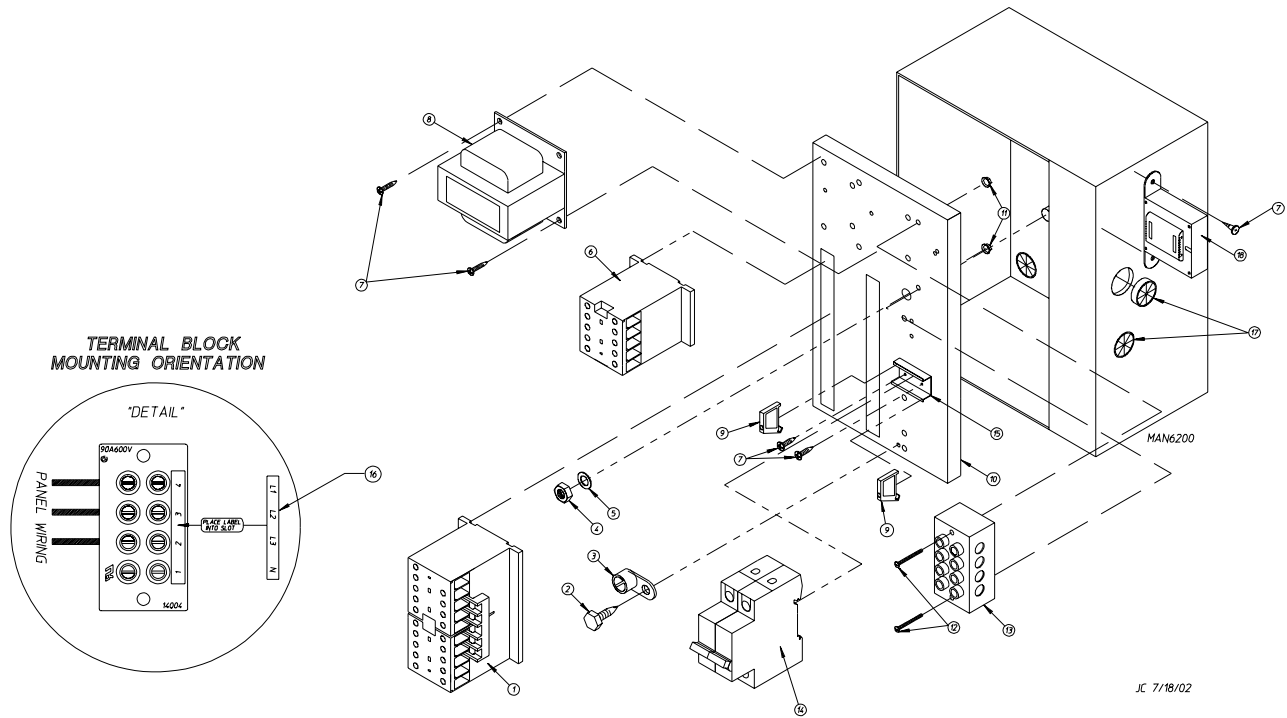
<u>Illus. No.</u>	<u>Part No.</u>	<u>Qty.</u>	<u>Description</u>
1	151000	2	#6-32 Pal Nut
2	150300	2	#10-16 x 1/2" Hex Washer TEK Screw
3	150008	2	#6-32 x 1-1/4" Phillips Pan Head Machine Screw
4	120701	1	4-Position Terminal Block (for models mfd. with 3 ϕ motors)
	120716	1	2-Position Terminal Block (for models mfd. with 1 ϕ motors)
5	322817	1	Mounting Plate ONLY
	882664	1	Rear Electric Panel Assembly Complete - 208-240 Volt (for gas and steam models Only) (includes illus. nos. 1 through 14)
	818400	1	Rear Electric Panel Assembly - 208-240 Volt (for electric models Only) (includes illus. nos. 1 through 14)
	882665	1	Rear Electric Panel Assembly Complete - 380-416 Volt (for gas and steam and 3 ϕ motor electric models Only) (includes illus. nos. 1 through 14)
	818395	1	Rear Electric Panel Assembly Complete - 208-240 Volt (for electric models Only) (includes illus. nos. 1 through 14)
	882667	1	Rear Electric Panel Assembly Complete - 380-416 Volt (for electric models with single-phase [1 ϕ] motor Only)
6	882653	1	Transformer Assembly - 208-240 Volt (for gas and steam models Only)
	818396	1	Transformer Assembly - 208-240 Volt (for electric models Only)
	882654	1	Transformer Assembly - 380-416 Volt
7	136008	2	Fuse Holder
8	136057	2	1/2-Amp (Slo-Blo) Fuse ONLY
9	150301	2	#8-18 x 7/16" Phillips Pan Head TEK Screw
10	150297	1	#10 x 1/2" Hex Washer TEK Screw (green)
11	152004	1	5/16-18 Hex Nut
12	121010	1	L-70 Ground Lug
13	153002	1	5/16" Lock Washer
14	132459	1	3-Pole Contactor
15	121300	3	Open/Closed Bushing



<u>Illus. No.</u>	<u>Part No.</u>	<u>Qty.</u>	<u>Description</u>
1	150009	2	#6-32 x 1-1/2" Phillips Pan Head Machine Screw
2	120701	1	4-Position Terminal Block
3	830208	1	Transformer Assembly (460 VAC) for Micro Models ONLY
	824161	1	Transformer Assembly (460 VAC) for Non-Micro Models ONLY
4	135501	1	1-Amp Double-Pole Circuit Breaker (460 VAC Only)
5	120768	2	35 x 15mm Din Rail
6	150301	4	#8-18 x 7/16" Phillips Pan Head TEK Screw
7	150297	2	#10 x 1/2" Hex Washer TEK Screw (green)
8	152004	1	5/16-18 Hex Nut
9	121010	1	L-70 Ground Lug
10	153002	1	5/16" Lock Washer
11	132459	1	24 VAC 3-Pole Contactor
12	322817	1	Mounting Plate ONLY
	883332	1	Rear Panel Assembly Complete (460 VAC) for Micro Models ONLY (includes illus. nos. 1 through 14)
	830262	1	Rear Panel Assembly Complete (460 VAC) for Non-Micro Models ONLY (includes illus. nos. 1 through 14)
13	151000	2	#6-32 Pal Nut
14	120765	4	End Stop
15	121300	2	Open/Closed Bushing
16	141403	1	Control Voltage Transformer (24V) for Micro Models except 36 Kw Oven Models
	132070	1	Control Voltage Transformer (24V) for 36 Kw Oven Micro Models ONLY

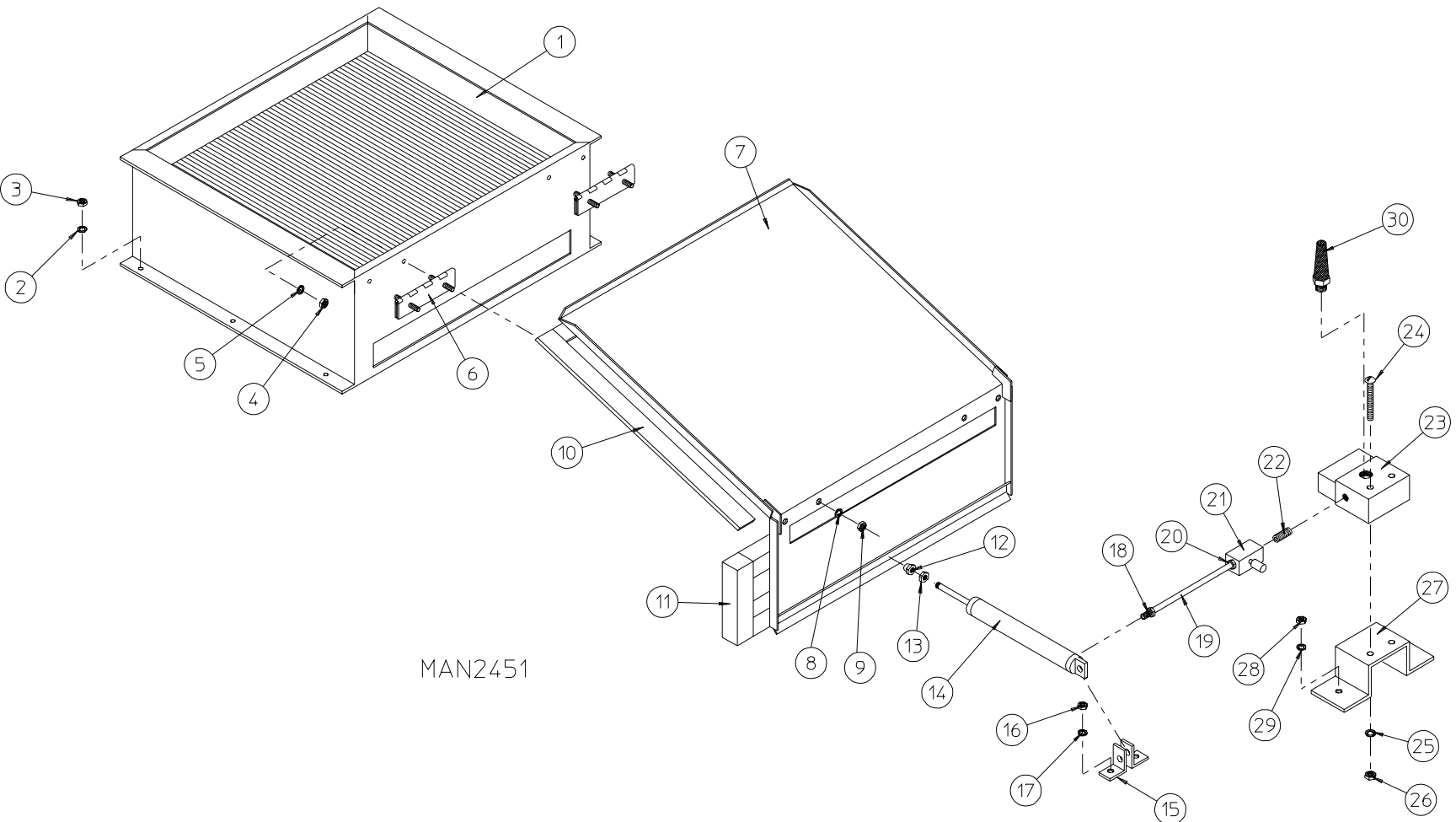


<u>Illus. No.</u>	<u>Part No.</u>	<u>Qty.</u>	<u>Description</u>
1	150300	2	#10-16 x 1/2" Hex Washer TEK Screw
2	150008	2	#6-32 x 1-1/4" Phillips Pan Head Machine Screw
3	120701	1	4-Position Terminal Block
4	132458	1	3-Pole Reversing Contactor
5	882653	1	Transformer Assembly - 208-240 Volt (for gas and steam models Only)
	825428	1	Transformer Assembly - 208-240 Volt (for electric models Only)
	882654	1	Transformer Assembly - 380-416 Volt
6	136008	1	Fuse Holder
7	136057	1	1/2-Amp (Slo-Blo) Fuse ONLY
8	150301	1	#8-18 x 7/16" Phillips Pan Head TEK Screw
9	150297	1	#10 x 1/2" Hex Washer TEK Screw (green)
10	152004	1	5/16-18 Hex Nut
11	121010	1	L-70 Ground Lug
12	153002	1	5/16" Lock Washer
13	132459	1	3-Pole Contactor
14	322812	1	Rear Electric Mounting Plate ONLY
	882673	1	Rear Electric Panel Assembly Complete - 208-240 Volt (for gas and steam models Only) (includes illus. nos. 1 through 16)
	883335	1	Rear Electric Panel Assembly Complete - 208-240 Volt (for electric models Only) (includes illus. nos. 1 through 16)
	882676	1	Rear Electric Panel Assembly Complete - 380-416 Volt (includes illus. nos. 1 through 16)
15	151000	2	#6-32 Pal Nut
16	120765	1	Standard End Bracket



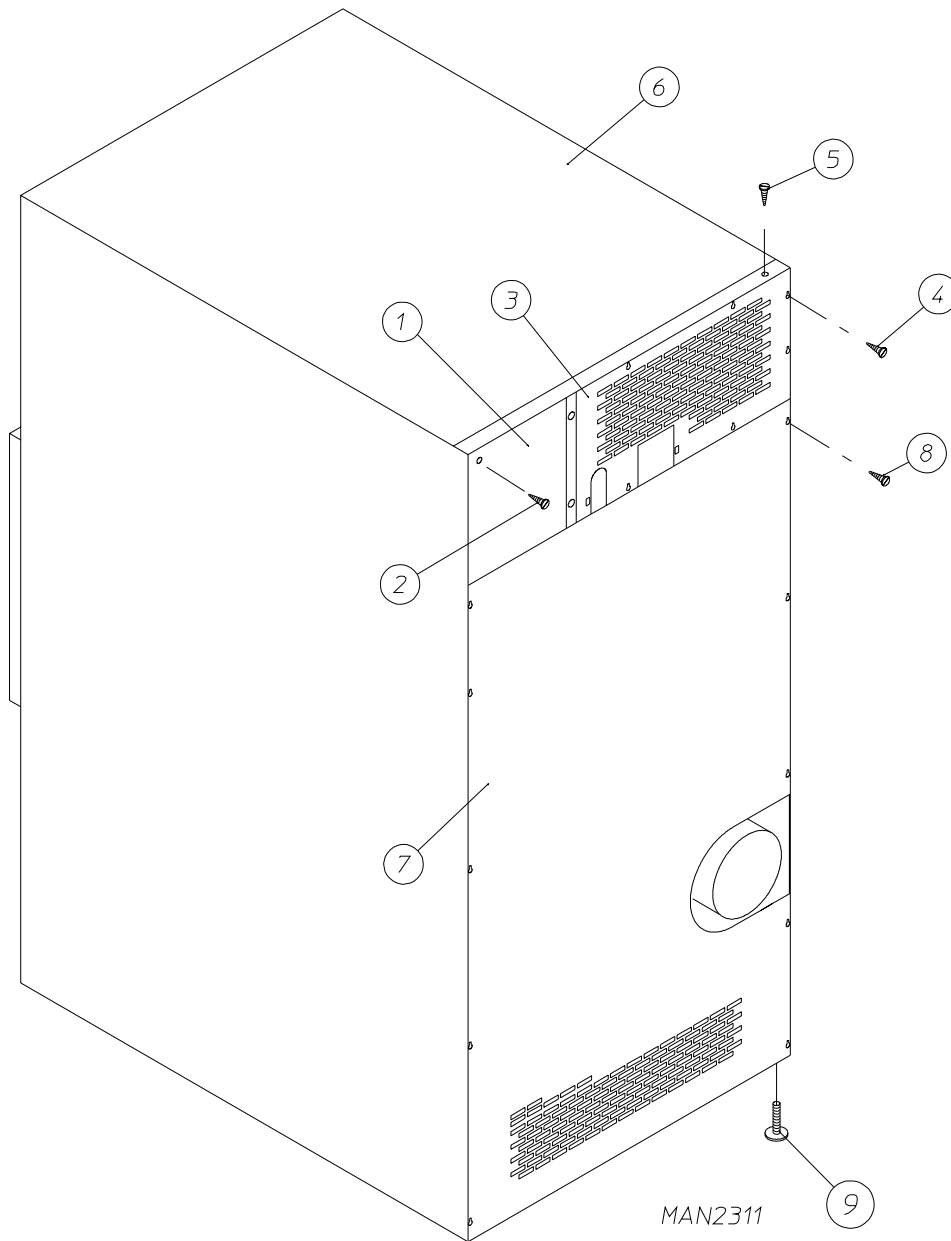
<u>Illus. No.</u>	<u>Part No.</u>	<u>Qty.</u>	<u>Description</u>
1	132458	1	24 VAC Reversing Contactor
2	150297	1	#10 x 1/2" Green Hex Washer TEK Screw
3	121010	1	L-70 Ground Lug
4	152004	1	5/16-18 Hex Nut
5	153002	1	5/16" Lock Washer
6	132459	1	24 VAC 3-Pole Blower Contactor
7	150300	4	#10-16 x 1/2" Hex Washer TEK Screw
8	830208	1	Transformer Assembly (460 VAC) for Micro Models ONLY
	824161	1	Transformer Assembly (460 VAC) for Non-Micro Models ONLY
9	120765	2	End Stop
10	322817	1	Mounting Plate ONLY
	883327	1	460 VAC Reversing Rear Electric Panel Assembly Complete For Micro Models ONLY (includes illus. nos. 1 through 16)
	-----*	1	460 VAC Reversing Rear Electric Panel Assembly Complete For Non-Micro Models ONLY (includes illus. nos. 1 through 16)
11	151000	2	#6-32 Pal Nut
12	150009	2	#6-32 x 1-1/2" Phillips Pan Head Machine Screw
13	120701	1	4-Position Terminal Block
14	135501	1	1-Amp Double-Pole Circuit Breaker
15	120768	2	35 x 15mm Din Rail (sold by the inch)
16	112068	1	3-Phase (3 ϕ) Power Input Label
17	121300	1	Open/Closed Bushing
18	141403	1	Control Voltage Transformer (24V) for Micro Models ONLY

* Not available at time of printing.



MAN2451

<u>Illus. No.</u>	<u>Part No.</u>	<u>Qty.</u>	<u>Description</u>
1	165009	1	Steam Coil Assembly
2	153002	6	5/16" Lock Washer
3	152004	6	5/16-18 Hex Nut
4	152002	4	1/4-20 Hex Nut
5	153007	4	1/4" Lock Washer
6	820321	2	Steam Damper Hinge Assembly
7	803415	1	Steam Damper Assembly (includes illus. nos. 7, 10, and 11)
8	153007	4	1/4" Lock Washer
9	152002	4	1/4-20 Hex Nut
10	115995	108	Steam Damper Gasket (sold by the inch)
11	102350	1	Steam Damper Foam (68-1/2" length)
12	151007	1	7/16-20 Stainless Steel Acorn Nut
13	152007	1	7/16-20 Hex Nut
14	100497	1	1-1/4" Bore x 3" Stroke Piston
15	100492	1	Piston Support Bracket
16	152002	4	1/4-20 Hex Nut
17	153007	4	1/4" Lock Washer
18	100472	1	1/4" x 1/8" Connector
19	143110	1	1/4" Tubing (sold by the foot)
20	100472	1	1/4" x 1/8" Connector
21	100496	1	1/8" Needle Valve
22	143238	1	1/8" Close Nipple
23	100498	1	3-Way Micro Valve - 24 VAC
24	150002	2	#6-32 x 1" Phillips Round Head Machine Screw
25	153010	2	#6 Star Washer
26	152000	2	#6-32 Hex Nut
27	330987	1	Micro Valve Support Bracket
28	152002	2	1/4-20 Hex Nut
29	153007	2	1/4" Lock Washer
30	100520	1	1/8" N.P.T. Silencer (muffler)



<u>Illus. No.</u>	<u>Part No.</u>	<u>Qty.</u>	<u>Description</u>
1	322809	1	Back Electrical Box Cover
2	150301	4	#8-18 x 7/16" Phillips Pan Head TEK Screw
3*	323738	1	Top Back Guard (for gas models Only)
	320008	1	Top Back Guard (for electric models Only)
4	150301	7	#8-18 x 7/16" Phillips Pan Head TEK Screw
5	150300	10	#10-16 x 1/2" Hex Washer TEK Screw
6*	312527	1	Outer Top (for gas models Only)
	320007	1	Outer Top (for electric models Only)
7	314511	1	Bottom Back Guard
8	150301	13	#8-18 x 7/16" Phillips Pan Head TEK Screw
9	103500	4	Leveling Leg

* There is no outer top or top back guard on steam models.

NOTE: Coin acceptors listed include optical switch.
Replacement optic switch for Hanke acceptor (ADC Part No. 881143).
Replacement optic switch for Greenwald acceptor (ADC Part No. 137056).

Single Coin*

<u>ADC Part No.</u>	<u>Nation</u>	<u>Description</u>
883363	United States	25¢ Hanke Optic Coin Acceptor with Four (4) Studs (for models mfd. as of June 25, 2002)
882689	United States	25¢ Hanke Optic Coin Acceptor (for models mfd. between June 15, 2000 and June 25, 2002)
125100	U.S. and Canada	25¢ Greenwald Optic Coin Acceptor (for models mfd. prior to June 15, 2000)
125107	Australia	20¢ Greenwald Australian Optic Coin Acceptor
881768	Australia	\$1 Hanke Australian Optic Coin Acceptor
881604	Japan	100 Yen Hanke Optic Coin Acceptor
125103	---	0.882 Token Greenwald Optic Coin Acceptor
125121	---	0.800 Token Greenwald Optic Coin Acceptor
125133	Hong Kong	\$1 Greenwald Hong Kong Optic Coin Acceptor

Dual Coin*

883367	United States	10¢/25¢ Hanke Dual Optic Coin Acceptor
881842	Canada	25¢/\$1 Hanke Dual Optic Coin Acceptor
881542	United Kingdom	1£/20 Pence Hanke Dual Optic Coin Acceptor
881846	France	2/5 Franc Hanke Dual Optic Coin Acceptor
881541	Netherlands	25¢/\$1 Guilder Hanke Dual Optic Coin Acceptor

* Consult factory for coin acceptors not listed.

Kw	Volt	Phase	Wire	Oven Assembly* Part No.	Elements			Oven Wire			Terminal Lug		Bus Bar P/N 121011	Oven Relay	
					Qty.	Size	Part No.	Qty.	Size	Part No.	Qty.	Part No.		Cat. No.	Part No.
36	208	3 \emptyset	3 or 4	824422	6	6	120015	1	#2	882562	1	121010	1	DPA93	131358
36	240	3 \emptyset	3	824026	6	6	120014	1	#2	882562	1	121010	1	DPA93	131358
36	460/480	3 \emptyset	3 or 4	802764	6	6	120014	1	#8	882572	1	121010	1	DPA53	131359
33	380	3 \emptyset	3 or 4	827044	6	6	120002	1	#6	882556	1	121033	1	DPA53	131359
30	208	3 \emptyset	3 or 4	824918	6	5	120012	1	#4	882566	1	121010	1	DPA93	131358
30	240	3 \emptyset	3	840259	6	5	120013	1	#4	882566	1	121010	1	DPA73	131376
30	416	3 \emptyset	3 or 4	835064	6	5	120013	1	#8	882571	1	121010	1	DPA43	131357
30	460/480	3 \emptyset	3 or 4	834804	6	5	120013	1	#8	882572	1	121010	1	DPA43	131357
25	380	3 \emptyset	3 or 4	826391	6	5	120013	1	#8	882571	1	121010	1	DPA43	131357
24	208	3 \emptyset	3 or 4	824916	6	4	120010	1	#4	882566	1	121010	1	DPA73	131376
24	240	3 \emptyset	3	883391	6	4	120011	1	#6	882568	1	121010	1	DPA63	131369
24	460/480	3 \emptyset	3 or 4	883392	6	4	120011	1	#8	882572	1	121010	1	DPA33	131352

* When ordering Oven Assembly Complete, specify 3 wire or 4 wire when applicable, as well as if dryer has microprocessor controller (computer) or non-microprocessor controls.

<u>Part No.</u>	<u>Description</u>
112039	“Black/White/Green Ground” Label
112280	“Clean Lint Screen” Label
112534	“Phase 5 OPL Program Location Summary” Label
114001	“CAUTION - Exhaust/Lint Screen” Label
114006	“WARNING - Fire Hazards” Label
114094	“MOP HEAD WARNING” Label
117505	Aluminum Duct Tape (sold by the foot)
120100	3/8” Straight (BX) Connector
120300	3/8” x 45° (BX) Connector
120400	3/8” Red Jacket (BX) Insulator
120500	3/8” Jiffy Clip (BX retainer clip)
120600	3/8” Greenfield (BX)
120800	Receipt, Fast On Splice
120802	Red Butt Connector
120902	#74B Wire Nut
120903	Closed End Connector
121014	1/4” Insulated (female) Terminal
121499	5-1/2” Wire Tie
121500	8” Harness Tie
121503	Harness Tie Mounting Clip
122804	Manometer (hydro gauge) for Measuring Gas Pressure
404500	Almond Brush-In-Cap Bottle Touch-Up Paint
404502	White Brush-In-Cap Bottle Touch-Up Paint
404506	Almond “B” Brush-In-Cap Bottle Touch-Up Paint
404507	Cornflower Blue Brush-In-Cap Bottle Touch-Up Paint
404515	Coral Blue Brush-In-Cap Bottle Touch-Up Paint
404516	Ivory Brush-In-Cap Bottle Touch-Up Paint
410001	1/2” Allen Wrench (for removal of shutoff valve tail piece)
882458	Basket (tumbler) Puller Assembly

ADC450430

1 - 10/30/00-25

2* 02/20/03-15

