



AD-80i Parts Manual

American Dryer Corporation
88 Currant Road
Fall River MA 02720-4781 USA
Telephone: +1 (508) 678-9000 / Fax: +1 (508) 678-9447
e-mail: techsupport@amdry.com

www.adclaundry.com

Retain This Manual In A Safe Place For Future Reference

American Dryer Corporation products embody advanced concepts in engineering, design, and safety. If this product is properly maintained, it will provide many years of safe, efficient, and trouble free operation.

ONLY qualified technicians should service this equipment.

OBSERVE ALL SAFETY PRECAUTIONS displayed on the equipment or specified in the installation manual included with the dryer.

The following “**FOR YOUR SAFETY**” caution must be posted near the dryer in a prominent location.

FOR YOUR SAFETY

Do not store or use gasoline or other flammable vapors and liquids in the vicinity of this or any other appliance.

POUR VOTRE SÉCURITÉ

Ne pas entreposer ni utiliser d'essence ni d'autres vapeurs ou liquides inflammables à proximité de cet appareil ou de tout autre appareil.

We have tried to make this manual as complete as possible and hope you will find it useful. ADC reserves the right to make changes from time to time, without notice or obligation, in prices, specifications, colors, and material, and to change or discontinue models.

Important

For your convenience, log the following information:

DATE OF PURCHASE _____ MODEL NO. **AD-80i**
RESELLER'S NAME _____
Serial Number(s) _____

Replacement parts can be obtained from your reseller or the ADC factory. When ordering replacement parts from the factory, you can FAX your order to ADC at (508) 678-9447 or telephone your order directly to the ADC Parts Department at (508) 678-9000. Please specify the dryer model number and serial number in addition to the description and part number, so that your order is processed accurately and promptly.

The illustrations on the following pages may not depict your particular dryer exactly. The illustrations are a composite of the various dryer models. Be sure to check the descriptions of the parts thoroughly before ordering.

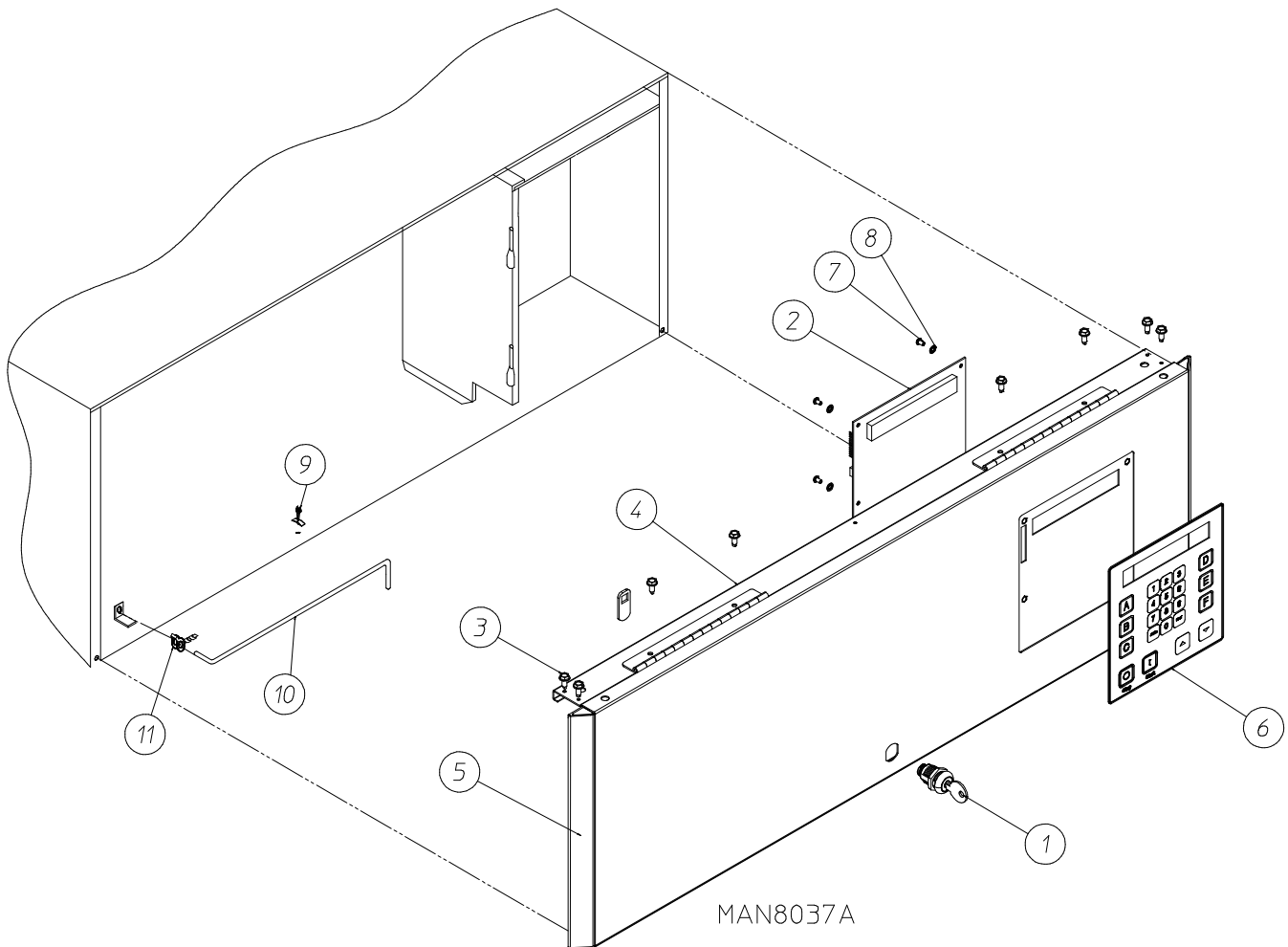
“IMPORTANT NOTE TO PURCHASER”

Information must be obtained from your local gas supplier on the instructions to be followed if the user smells gas. These instructions must be posted in a prominent location near the dryer.

Table of Contents

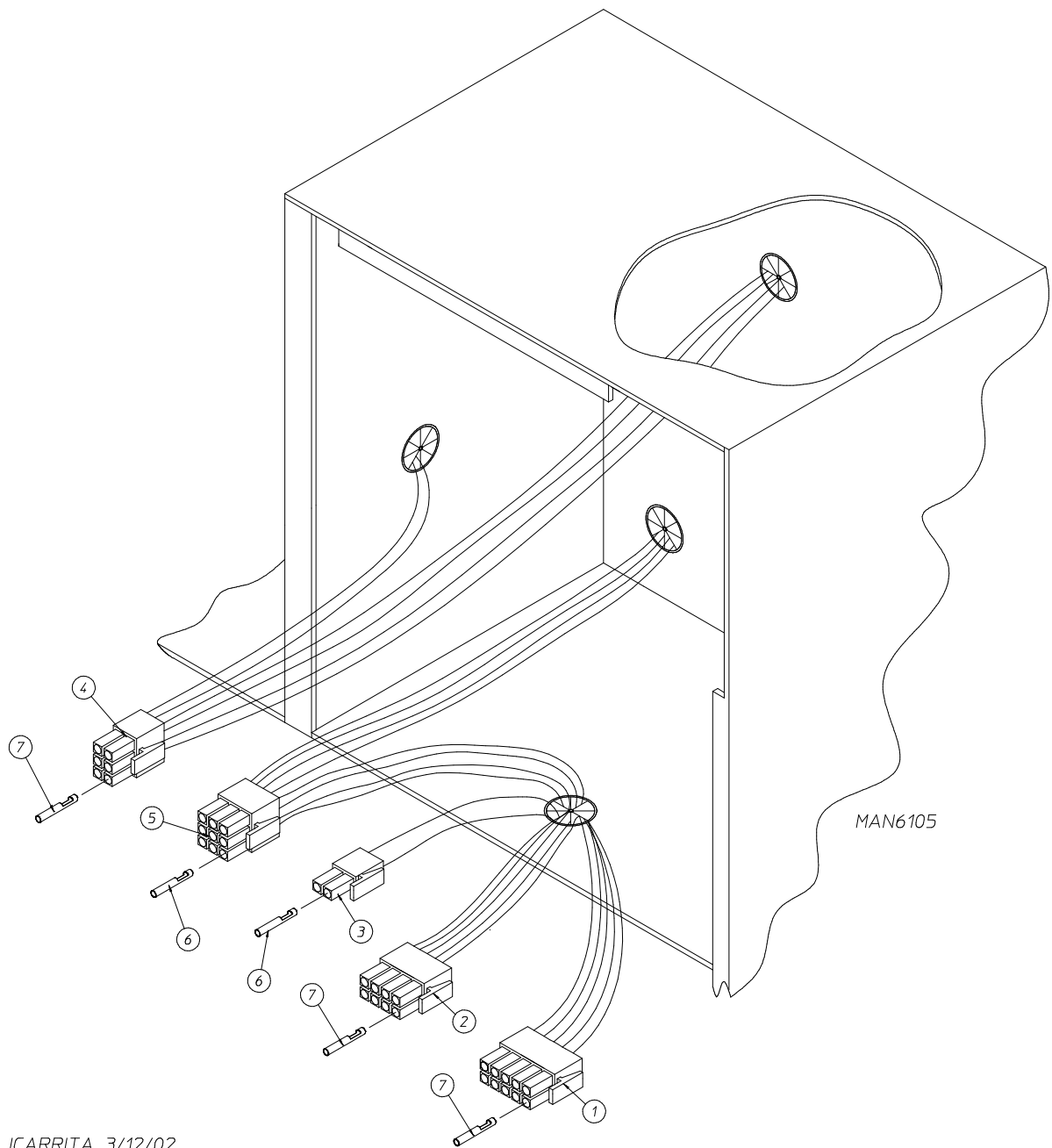
Non-Coin Control Door Assembly	4
Phase 7 Non-Coin Microprocessor Control Box Assembly	5
Front Panel Assembly	6
Main Door Assembly	7
Main Door Switch Assembly	8
Tumbler / Support Assemblies	9
Front Support Wheels	10
Lint Coop Sensor Assemblies	11
Lint Door Assembly	12
Lint Trap Assembly	13
Tumbler Bearing Assembly	14
Blower Motor Mount Assembly	15
Drive Motor Mount Assembly	16
Gas Burner Assembly	17
Gas Burner Box and Preheat Conduit	18
Electric Burner Assembly	19
Electric Oven Contactor Assembly	20
Electric Heat Terminal Block Panel	21
Rear Electrical Panel Assembly	22
VFD and Sail Switch Assemblies	23
Outer Top / Back Guard Assemblies	24
Fire Suppression Assembly	25
Additional Parts Available	26

Non-Coin Control Door Assembly



<u>Illus. No.</u>	<u>Part No.</u>	<u>Qty.</u>	<u>Description</u>
1	160015	1	Lock and Key
	160032	1	1" Straight Cam
2	884483	1	Phase 7.2 Non-Coin Computer with S.A.F.E. System Option
	884484	1	Phase 7.2 Non-Coin Computer without S.A.F.E. System Option
3	150300	8	#10-16 x 3/4" TORX PLUS® BTN Type 1
4	317162	1	Control Door Hinge Bracket
5	817766	1	Non-Coin Control Door with Graphics
6	112610	1	Phase 7.2 Non-Coin Keypad (blue)
7	150005	5	#6-32 x 1/4" Phillips Screw
8	153010	4	#6 Star Washer
9	102603	1	Control Door Rod Support Catch
10	102502	1	Control Door Support Rod
11	102601	1	Control Door Retainer Clip

Phase 7 Non-Coin Microprocessor Control Box Assembly

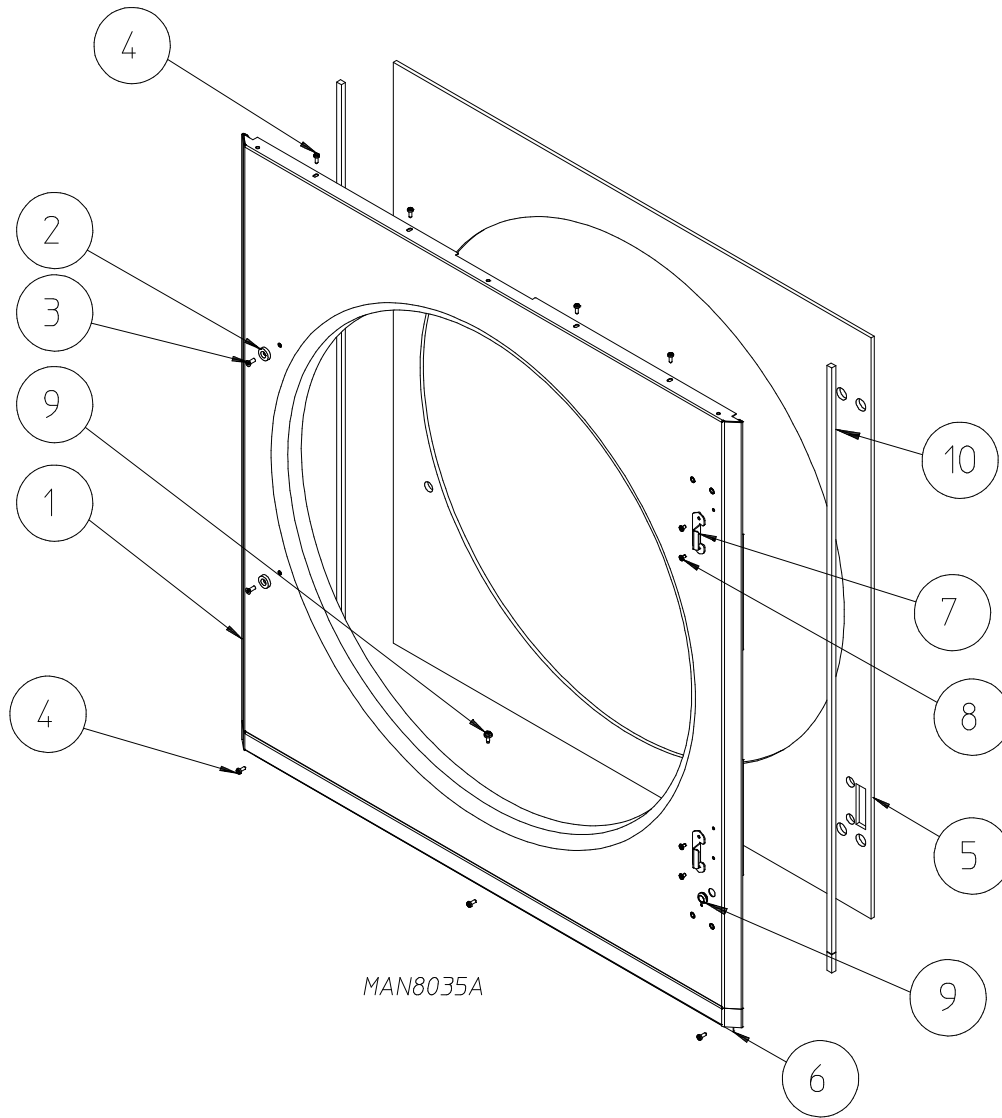


JCARRITA 3/12/02

<u>Illus. No.</u>	<u>Part No.</u>	<u>Qty.</u>	<u>Description</u>
1	122681	1	10-Pin Connector
2	122676	1	8-Pin Connector
3	122646	1	2-Pin Connector
4	122683	1	6-Pin Terminal
5	122640	1	9-Pin Terminal
6	122706	*	#20-16 U.M.N.L. Socket
7	122669	*	Female Crimp Terminal

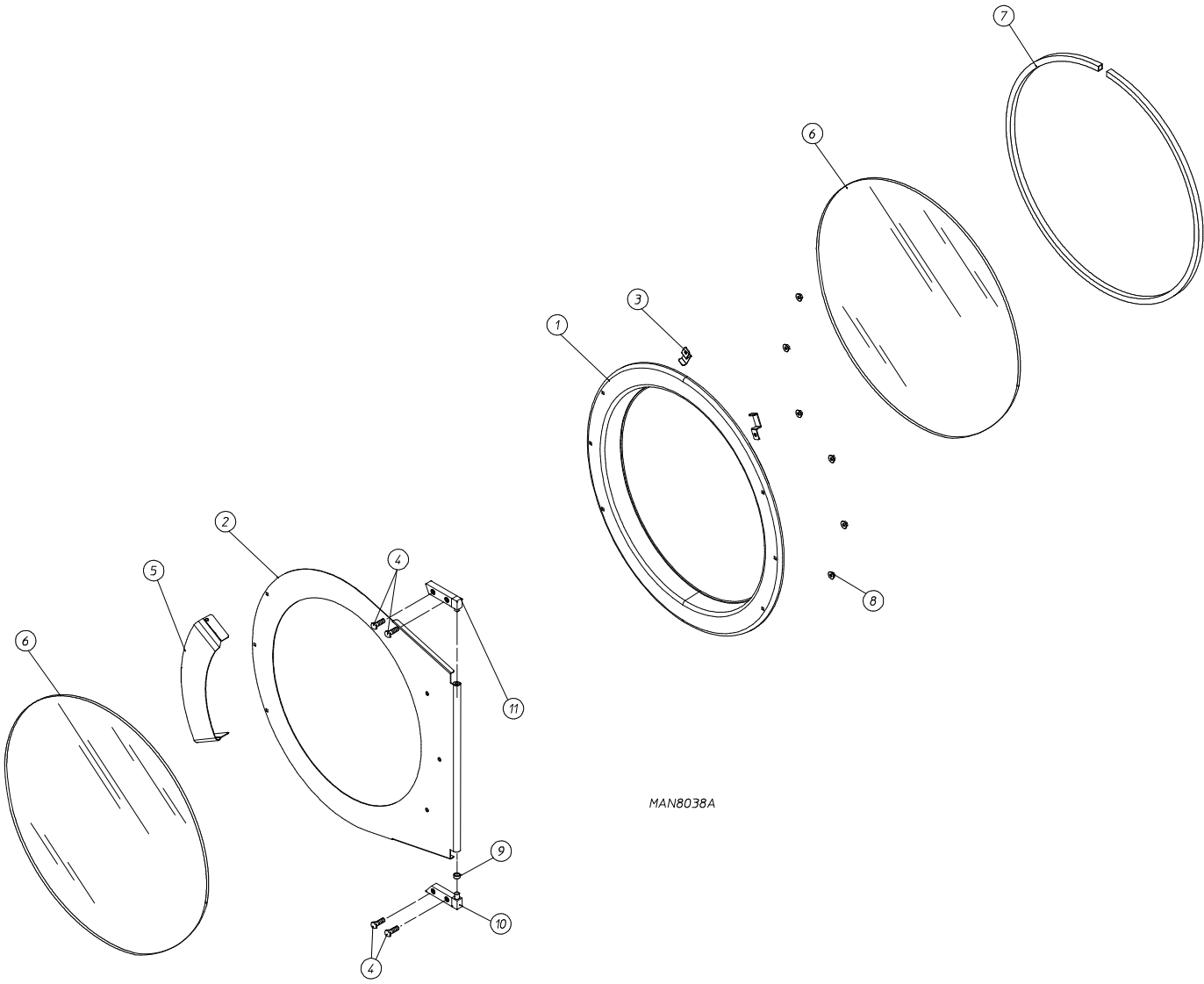
* As needed.

Front Panel Assembly



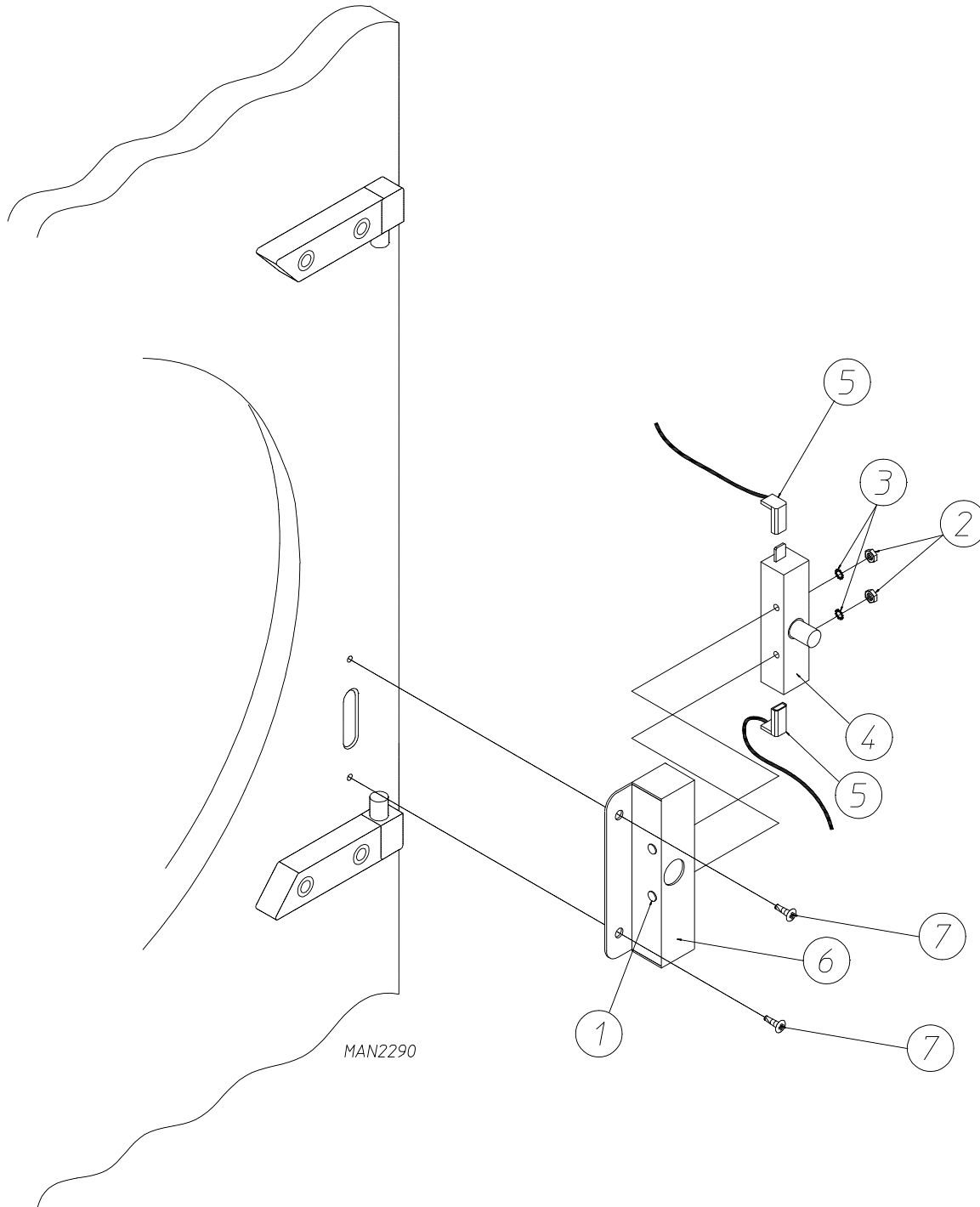
<u>Illus. No.</u>	<u>Part No.</u>	<u>Qty.</u>	<u>Description</u>
1	817769	1	Front Panel Assembly (includes illus. nos. 1 through 10)
	817768	1	Front Panel
2	102004	2	Compact Door Magnet
3	152223	2	#10-32 x 1/2" Machine Screw
4	150331	10	#8-18 x 1/2" Pan Head TORX® Screw
5	116236	1	Front Panel Insulation
6	317192	1	Front Panel Reversible Bottom Trim
7	335508	2	Door Stop
8	154205	4	5/32" x 1/4" Stainless Steel Rivet
9	121401	1	Rubber Grommet
10	117617	4	Foam Gasket (sold by the foot)

Main Door Assembly



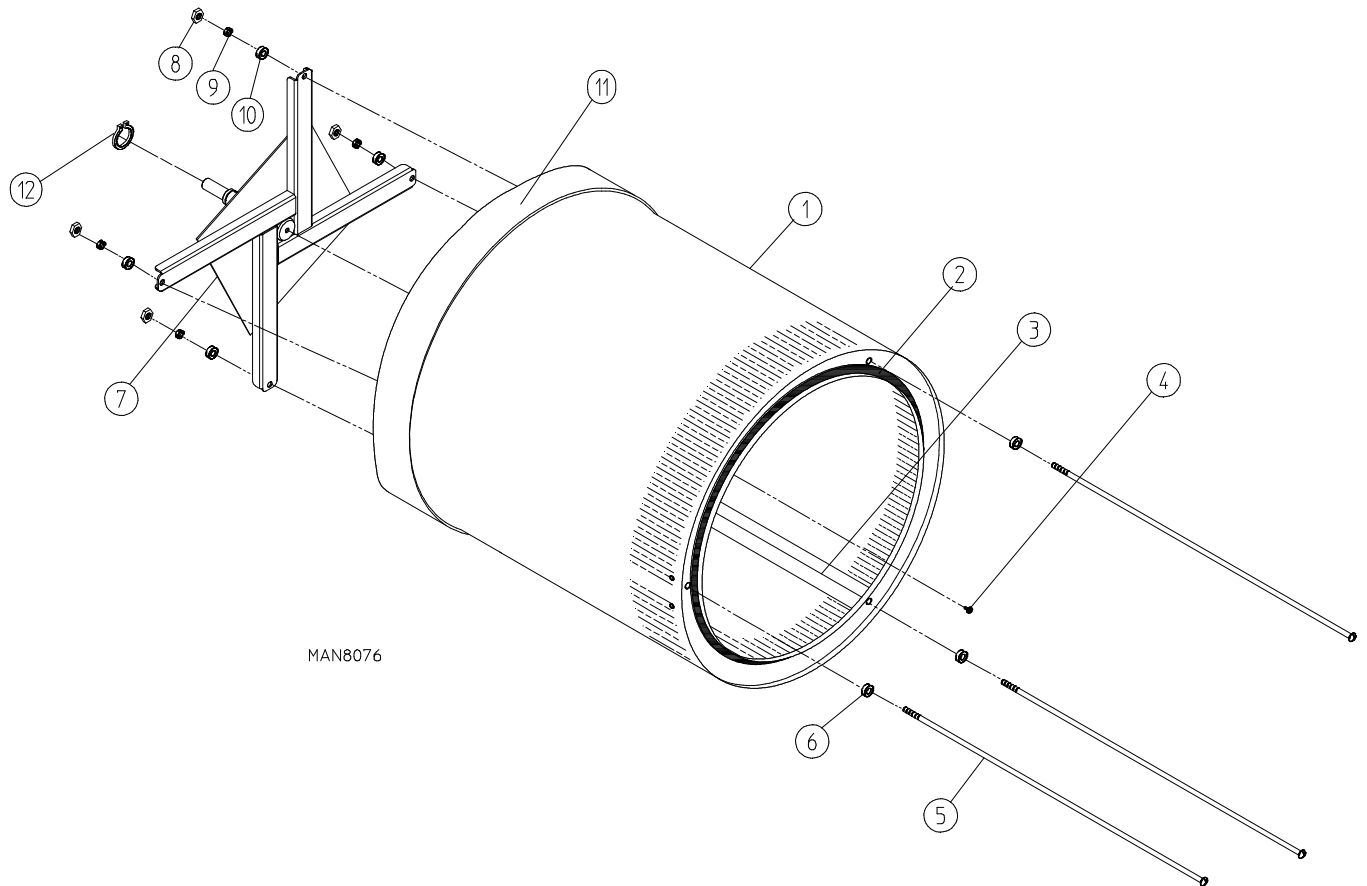
<u>Illus. No.</u>	<u>Part No.</u>	<u>Qty.</u>	<u>Description</u>
1	817750	1	Main Door Assembly Complete (includes illus. nos. 1 through 8)
	835617	1	Main Door Ring Assembly (includes illus. nos. 1, 6, and 7)
2	817749	1	Door Outer Skin Assembly (includes illus. nos. 2 and 6)
3	319298	2	Magnet Bracket
4	150445	4	1/4-20 x 3/4" Black Cap Head Setscrew
5	817751	1	Door Handle Assembly
6	102227	2	Main Door Glass
	401038	1	Black Glass Adhesive (10.3 oz. cartridge)
7	882411	1	Door Gasket
	401038	1	Black Gasket Adhesive (10.3 oz. cartridge)
8	152014	6	1/4-20 Free Spin Wash Nut
9	153031	1	1/4" Nylon Washer
10	881151	1	Black Bottom Hinge Block Assembly (includes illus. nos. 4, 9, and 10)
11	881152	1	Black Top Hinge Block Assembly (includes illus. nos. 4 and 11)

Main Door Switch Assembly



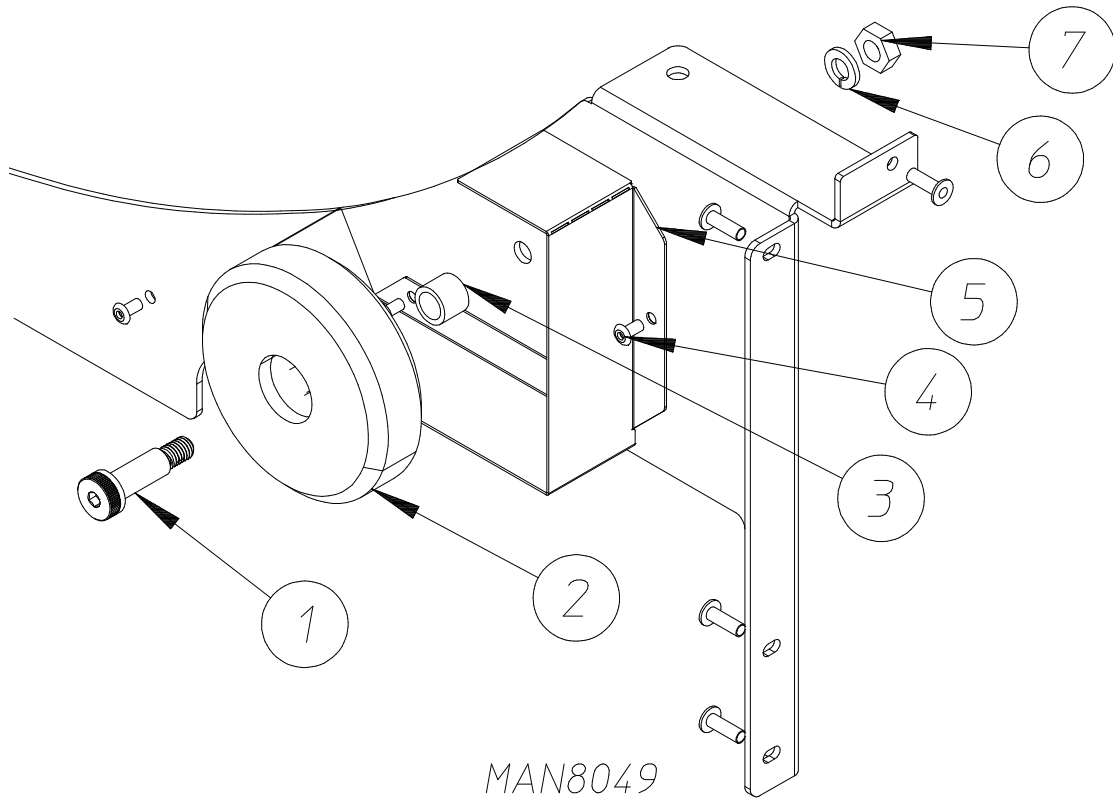
MAN2290

<u>Illus. No.</u>	<u>Part No.</u>	<u>Qty.</u>	<u>Description</u>
1	150006	2	#6-32 x 7/8" Phillips Pan Head Machine Screw
2	152013	2	#6-32 Hex Nut
3	153010	2	#6 Star Washer
4	137005	1	Door Switch
5	122636	2	Flag Terminal
6	881211	1	Black Main Door Switch Housing ONLY
	881153	1	Black Main Door Switch Housing Complete (includes illus. nos. 1 through 4 and 6)
7	150301	2	#8-18 x 7/16" Phillips Pan Head TEK Screw

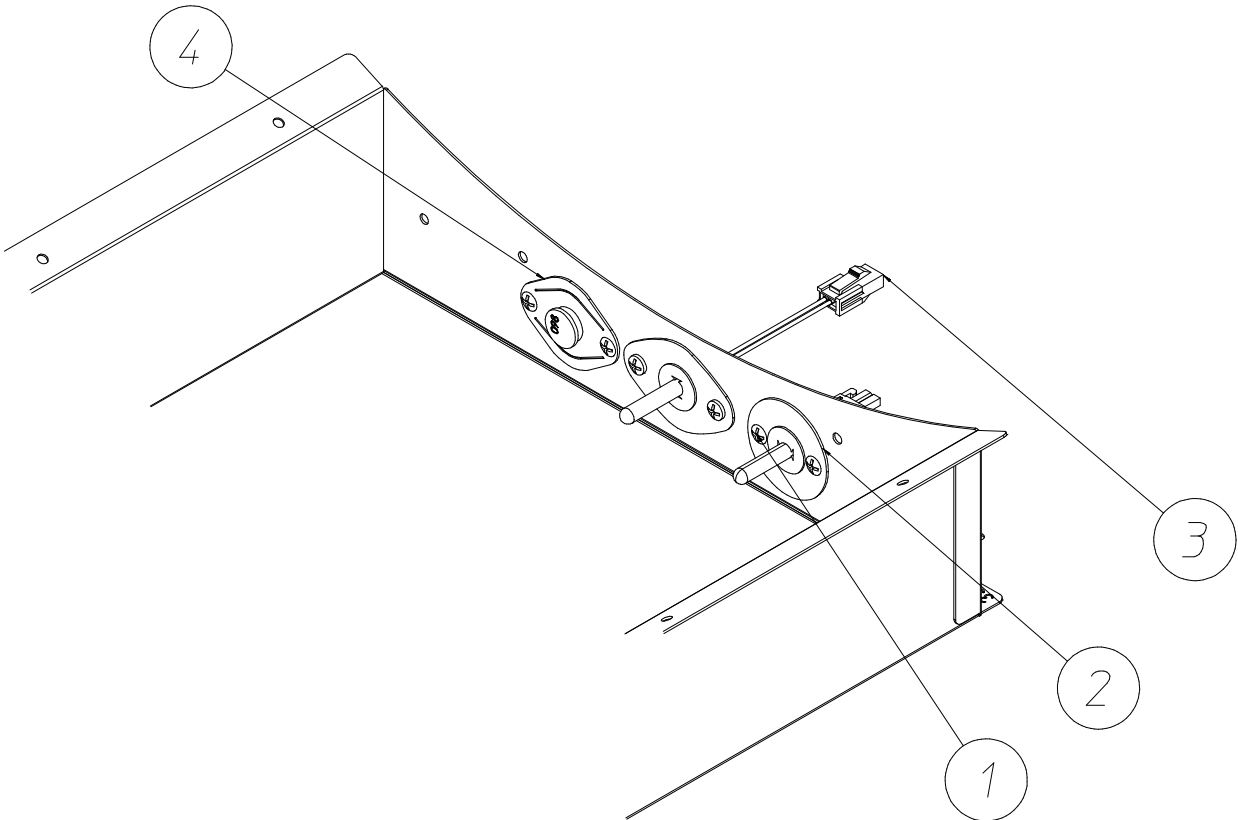


<u>Illus. No.</u>	<u>Part No.</u>	<u>Qty.</u>	<u>Description</u>
1	817783	1	Stainless Steel Tumbler / Support Assembly (includes illus. nos. 1 through 12)
	817742	1	Galvanized Tumbler / Support Assembly (includes illus. nos. 1 through 12)
2	115154	1	Front Felt Collar
3	317112	4	Stainless Steel Tumbler Rib
	317177	4	Galvanized Tumbler Rib
4	150407	1	5/16-18 x 3/4" Socket Button Head Screw
5	100905	4	0.375-16 x 37" Tie Rod
6	153004	4	3/8" Flat Washer
7	817784	1	Tumbler Support
8	152027	4	3/8-16 Hex Nylon Insert Lock Nut
9	153005	4	3/8" Lock Washer
10	153004	4	3/8" Flat Washer
11	115927	1	Rear Felt Collar
—	401010	1	#847 Adhesive for Felt Collar (5.0 oz. tube)
12	100812	1	1-3/8" Retaining Clip

Front Support Wheels



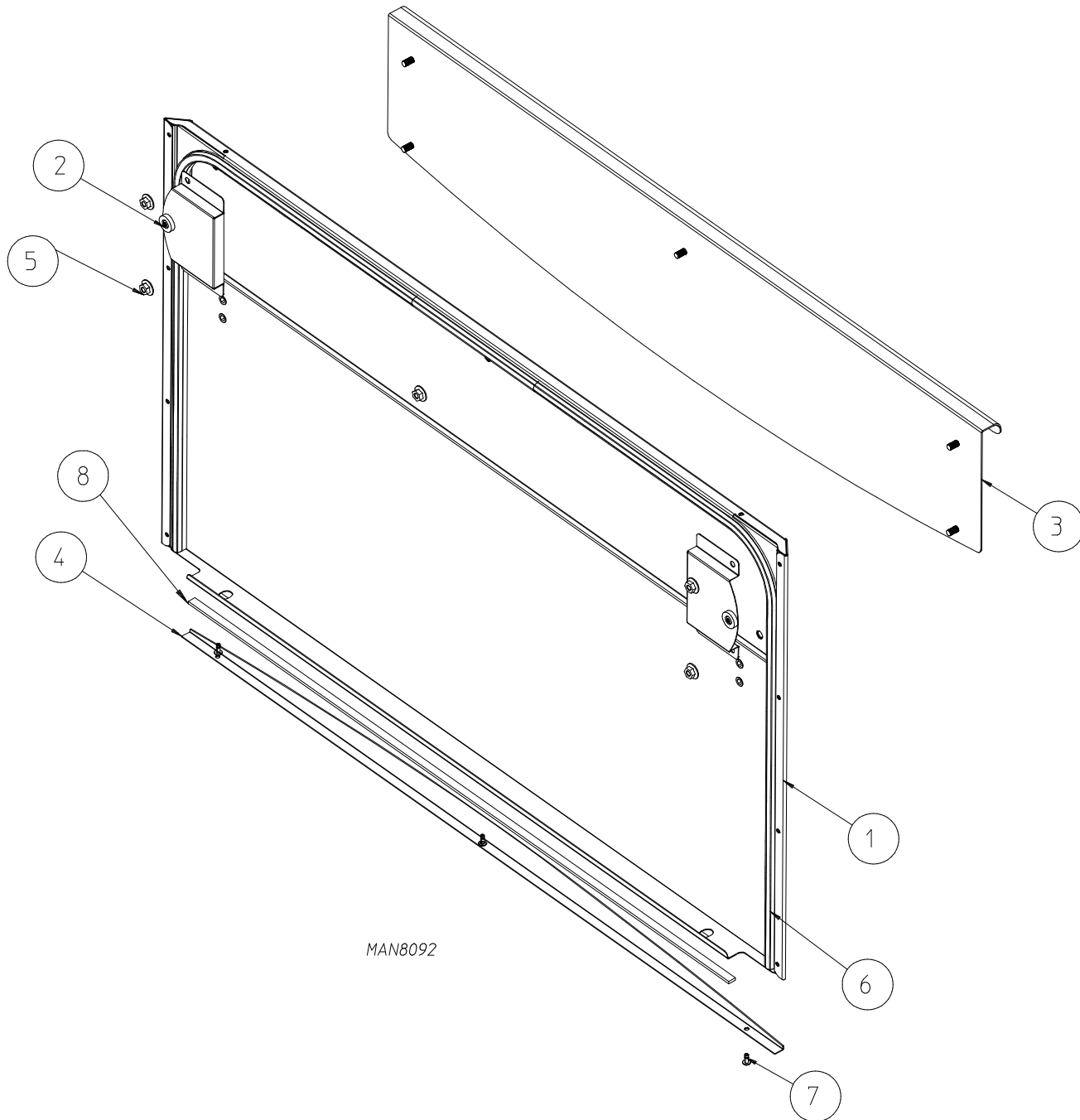
<u>Illus. No.</u>	<u>Part No.</u>	<u>Qty.</u>	<u>Description</u>
1	154264	2	#10-M8 x 25 mm Shoulder Screw Black Oxide
2	180060	2	Tumbler Wheel
3	154284	2	Tumbler Wheel Spacer
4	154200	-	5/32" Pop Rivet
5	317157	1	Right Wheel Guard
	317156	1	Left Wheel Guard
6	153002	2	5/16" Lock Washer
7	154013	2	M8 Hex Nut



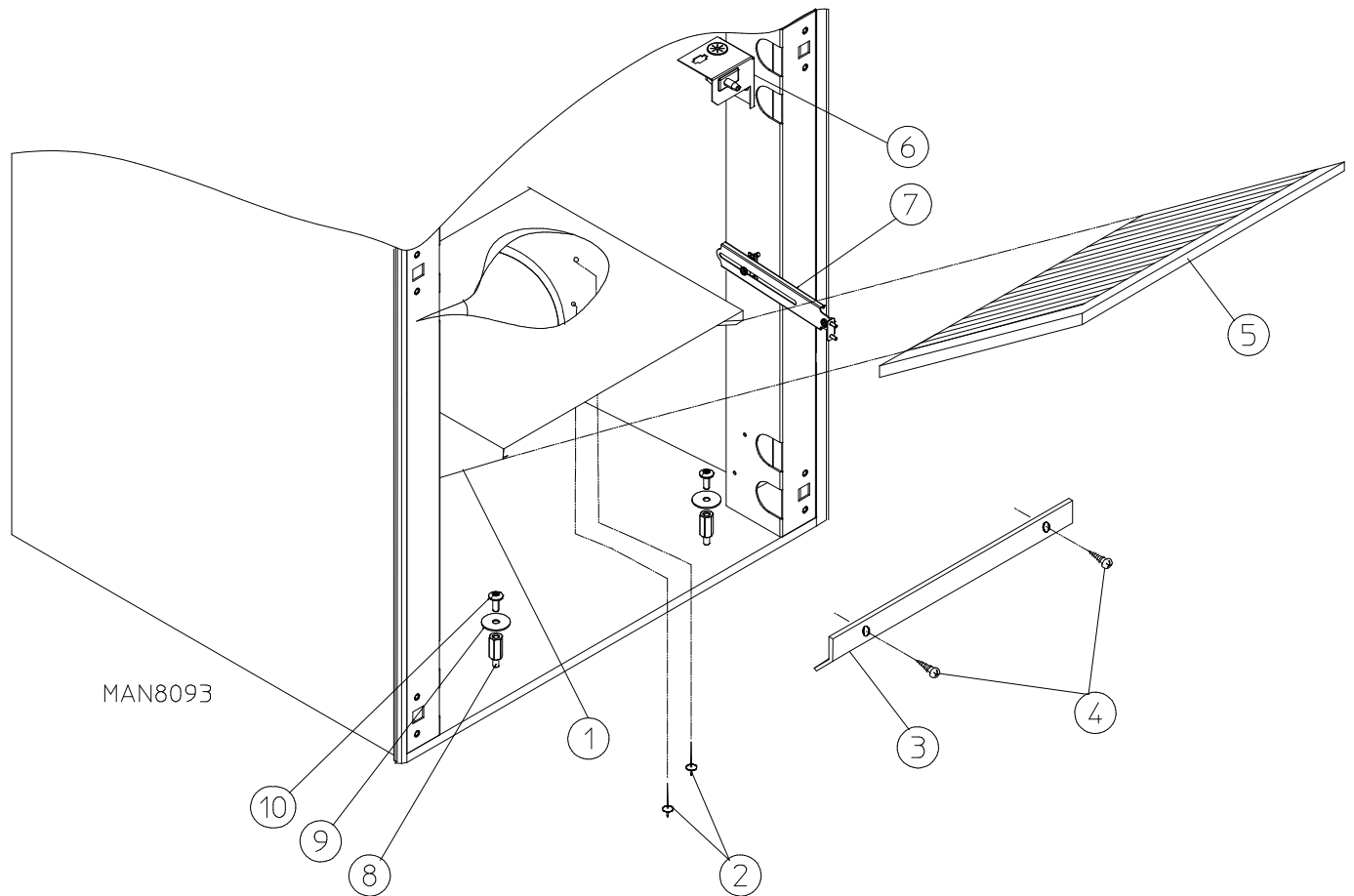
MAN8040

<u>Illus. No.</u>	<u>Part No.</u>	<u>Qty.</u>	<u>Description</u>
1	150301	6	#8-18 x 7/16" Phillips Pan Head TEK Screw
2	819188	1	Variable Speed Temperature Sensor Assembly
3	833522	1	1/4" Exhaust Temperature Sensor Probe Assembly
4	130098	1	190° Hi-Limit Thermostat

Lint Door Assembly

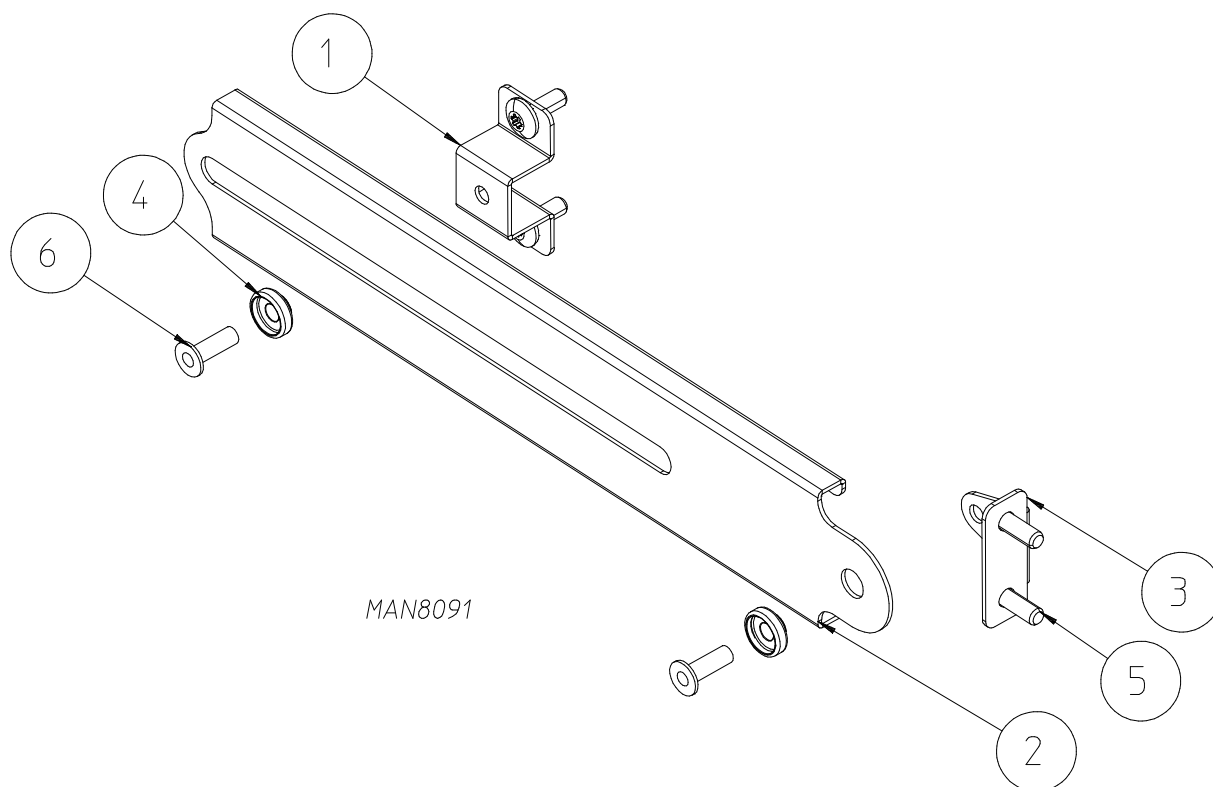


<u>Illus. No.</u>	<u>Part No.</u>	<u>Qty.</u>	<u>Description</u>
1	817764	1	Stainless Steel Drop Lint Door Assembly (includes illus. nos. 1 through 8)
2	835650	2	Lint Door Magnet Catch and Lint Switch Actuator
3	817759	1	Drop Lint Door Handle Stud Assembly
4	317209	1	Drop Lint Door Bottom Trim
5	152014	5	1/4-20 Serrated Hex Flange Nut
6	102420	1	.375 Rubber Gasket - 78 inches
7	154205	3	5/32" x 1/4" Stainless Steel Rivet
8	117604	3	.375 x .125 Neo Sponge Tape



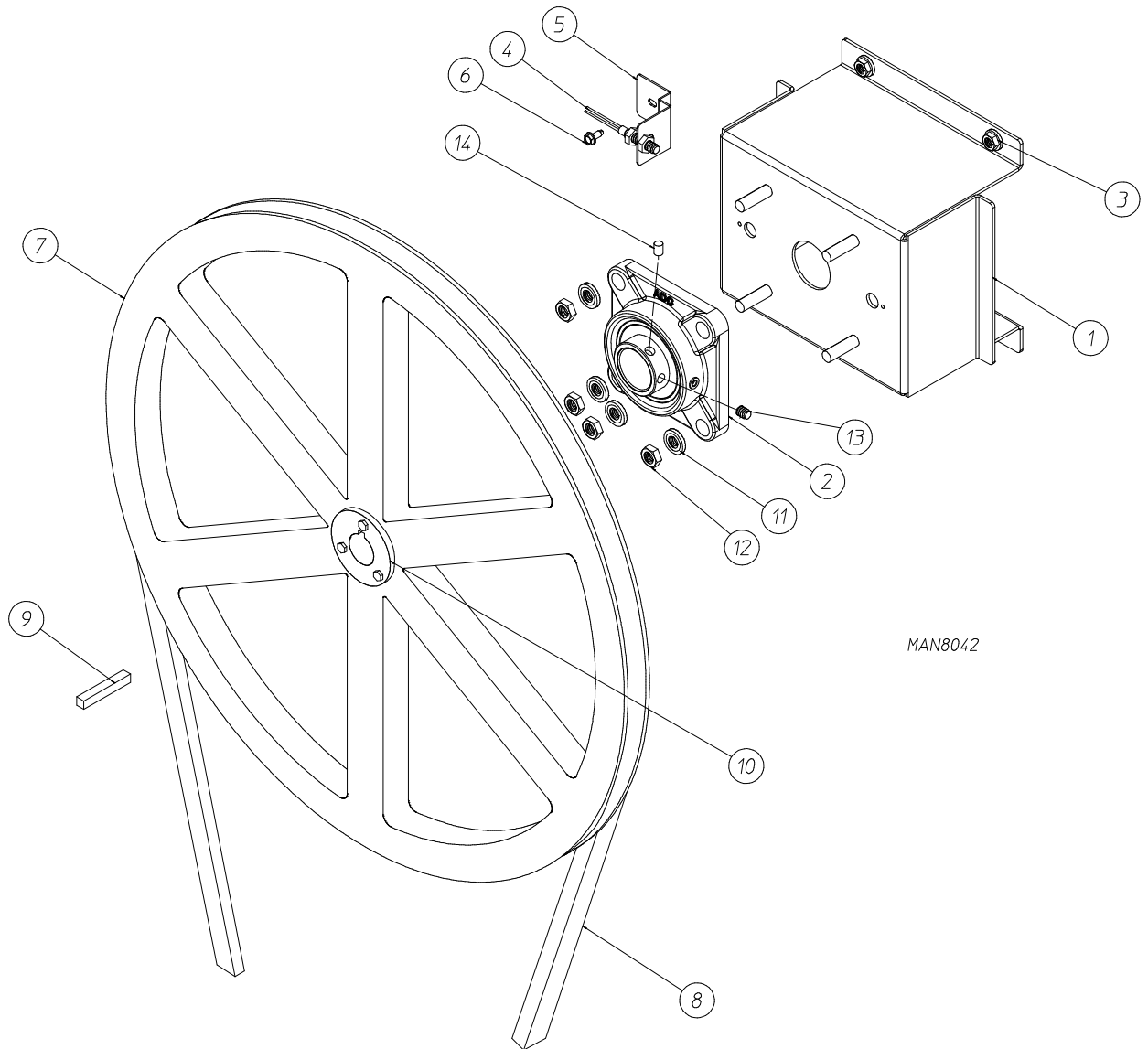
<u>Illus. No.</u>	<u>Part No.</u>	<u>Qty.</u>	<u>Description</u>
1	817725	1	Lint Trap Assembly Complete (includes illus. nos. 1 and 3 through 5)
	817726	1	Lint Trap ONLY
2	154210	8	5/32" Pop Rivet
3	317155	1	Lint Screen Holder ONLY
4	150300	4	#10-16 x 1/2" Hex Washer TEK Screw
5	800506	1	Lint Screen Assembly
6	835571	1	Lint Switch Bracket Assembly
	122116	1	Lint Switch ONLY
7	—	1	Lint Door Support Assembly (Parts Breakdown on page 14)
8	154024	2	#10-32 x 3/4" Standoff
9	153049	2	.875 OD Washer
10	183129	2	#10-32 x 1/2" TORX® Head Machine Screw

Lint Door Support Assembly



<u>Illus. No.</u>	<u>Part No.</u>	<u>Qty.</u>	<u>Description</u>
1	335551	1	Drop Lint Door Support Mount
2	335549	1	Drop Lint Door Support Slide Arm
3	335550	1	Drop Lint Door Support Bracket
4	183008	2	Keyhole Button
5	183129	4	#10-32 x 1/2" TORX® Truss Head Machine Screw
6	154220	2	3/16" Pop Rivet

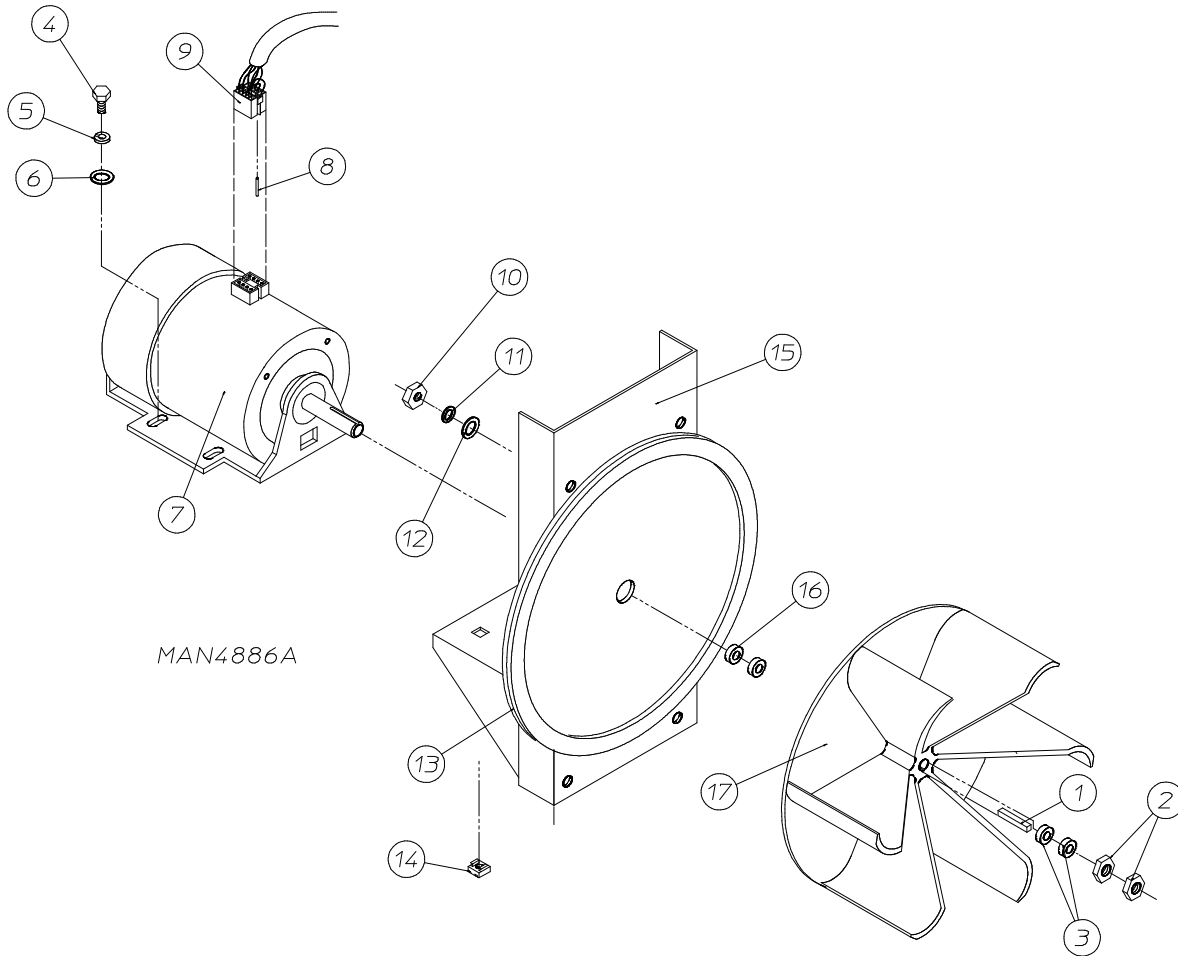
Tumbler Bearing Assembly



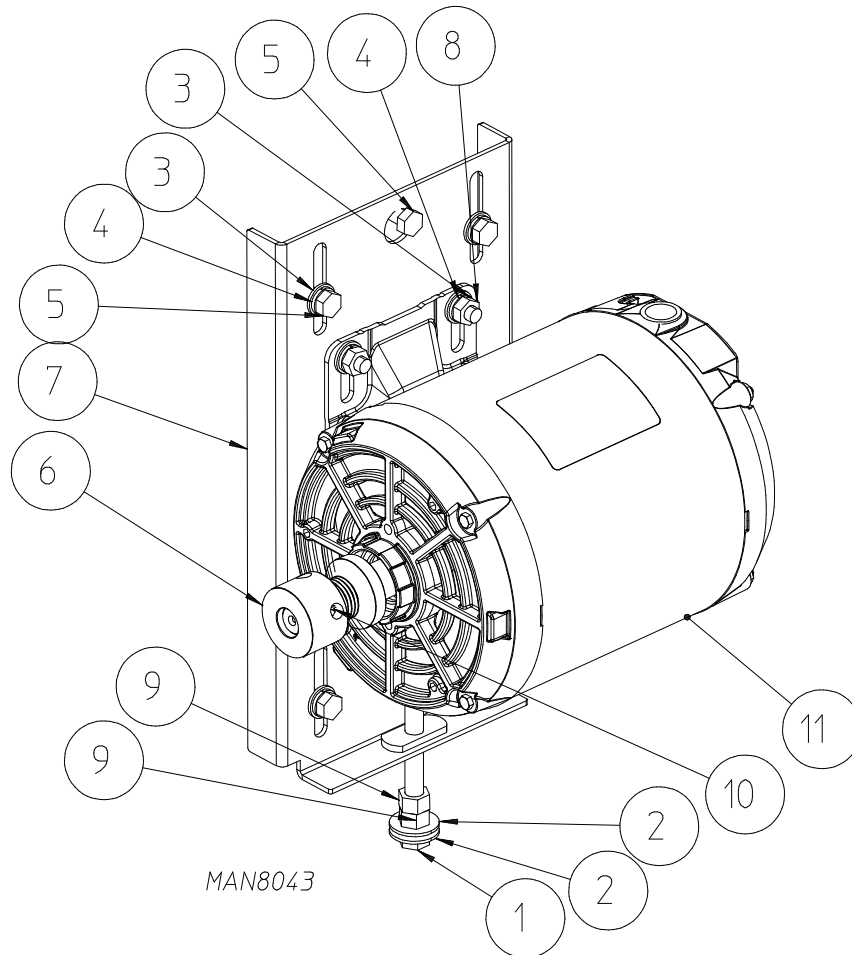
MAN8042

<u>Illus. No.</u>	<u>Part No.</u>	<u>Qty.</u>	<u>Description</u>
1	817736	1	1-3/4" Flange Bearing Mount (includes illus. nos. 1 and 3)
2	884485	1	1-3/8" Flange Bearing Assembly (includes illus. nos. 2, 13, and 14)
3	152038	4	5/16-18 Hex Serrated Flange Nut
4	822735	1	Rotation Sensor
5	835596	1	Rotation Sensor Assembly (includes illus. nos. 4 through 6)
6	150300	1	#10-16 x 1/2" Hex Washer TEK
7	101257	1	24.75" 15 Groove Pulley
8	102430	1	15 Rib J-Belt
9	100717	1	5/16" x 2-3/4" Key
10	101256	1	1-3/8" Bushing
11	153005	4	3/8" Lock Washer
12	152005	4	3/8-16 Hex Nut
13	154321	2	Setscrew
14	170608	1	0.25 x 0.25 Magnet

Blower Motor Mount Assembly

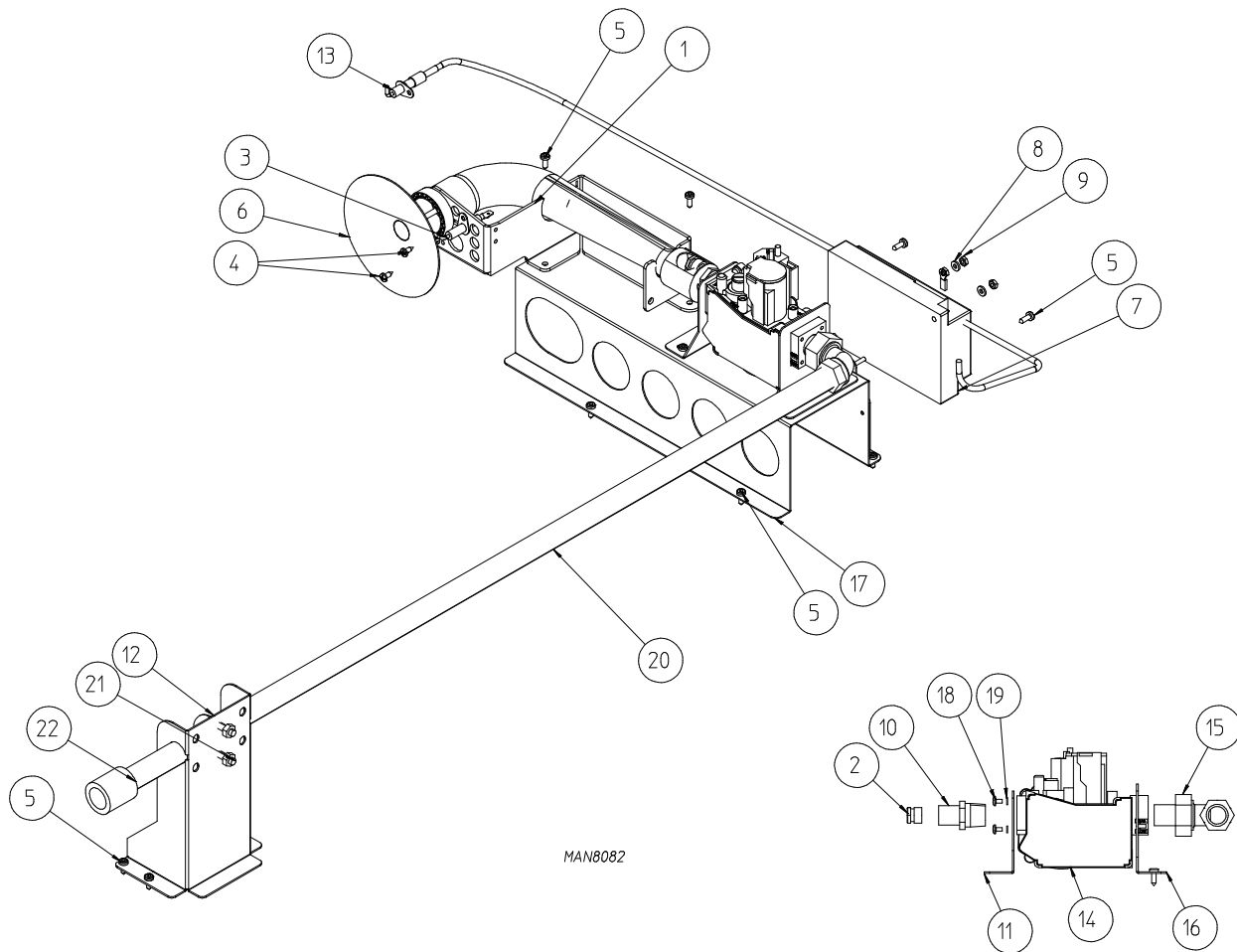


<u>Illus. No.</u>	<u>Part No.</u>	<u>Qty.</u>	<u>Description</u>
1	100702	1	1/8" x 1/8" x 1-1/2" Key
2	152006	2	1/2-20 Left Hand Jam Nut
3	153050	2	1/2" S.A.E. Flat Washer
4	150501	4	5/16-18 x 3/4" Tap Bolt
5	153002	4	5/16" Lock Washer
6	153001	4	5/16" Flat Washer
7	100075	1	1 hp 208-480V 3ø Motor
	100069	1	3/4 hp 120-240V 1ø 60 Hz Fan Motor with Plug
	100068	1	3/4 hp 240V 1ø 50 Hz Fan Motor with Plug
8	122701	8	Socket Terminal ONLY (1ø motor only)
	122801	1	Pin / Socket Extraction Tool
9	137030	1	8-Pin Housing Connector (1ø motor only)
10	152004	4	5/16-18 Hex Nut
11	153002	4	5/16" Lock Washer
12	153001	4	5/16" Flat Washer
13	117600	4	Noise Suppressor Tape (sold by the foot)
14	154000	4	5/16-18 Tinnerman Nut
15	803561	1	Motor Mount ONLY (56Z frame)
	817779	1	1 hp 208-480V 3ø Fan Motor Mount Assembly Complete
	817758	1	3/4 hp 208-240V 1ø 60 Hz Fan Motor Mount Assembly Complete with Plug Motor
	817710	1	3/4 hp 240V 1ø 50 Hz Fan Motor Mount Assembly Complete with Plug Motor
16	153050	2	1/2" S.A.E. Flat Washer
17	812019	1	15" Impellor with 3/4" Bore (for 3ø 60 Hz machines)
	817762	1	15" Impellor with 1/2" Bore (for 1ø 60 Hz)
	822364	1	16" Impellor with 1/2" Bore (for 50 Hz machines)



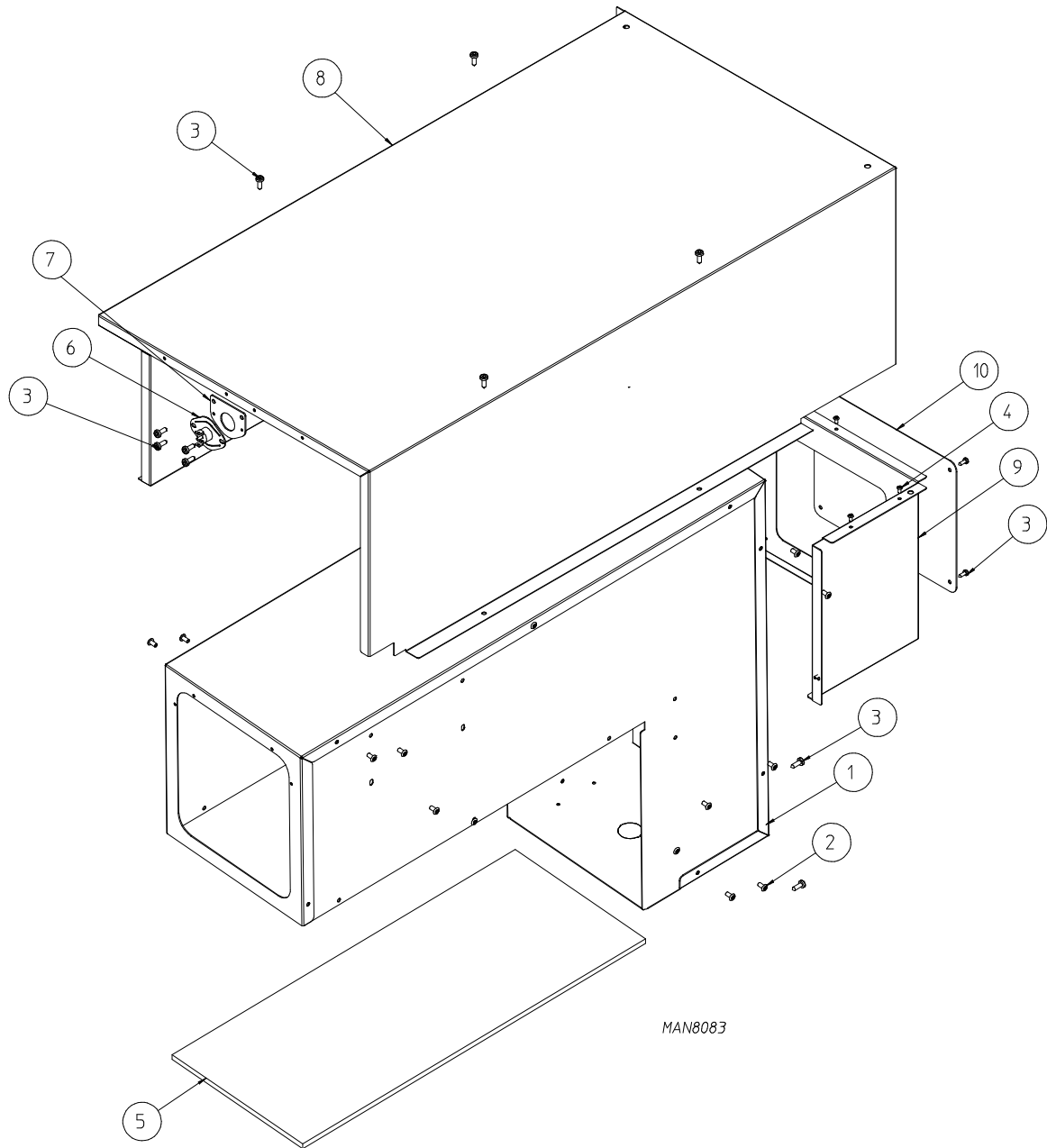
<u>Illus. No.</u>	<u>Part No.</u>	<u>Qty.</u>	<u>Description</u>
1	150619	1	3/8-16 x 3" Hex Head Tap Bolt
2	153004	2	0.375 Flat Washer
3	153001	8	5/16 Flat Washer
4	153002	8	5/16" Lock Washer
5	150501	5	5/16-18 x 3/4" Hex Head Machine Bolt
6	317617	1	Motor Sheave
7	835585	1	Drive Motor Carriage
8	152004	4	5/16-18 Hex Nut
9	152005	2	3/8-16 Hex Nut
10	154321	1	5/16-24 x 3/8" Alan Setscrew
11	181148	1	1 hp 208-230/460V 50/60 Hz 6 Pole Motor

Gas Burner Assembly



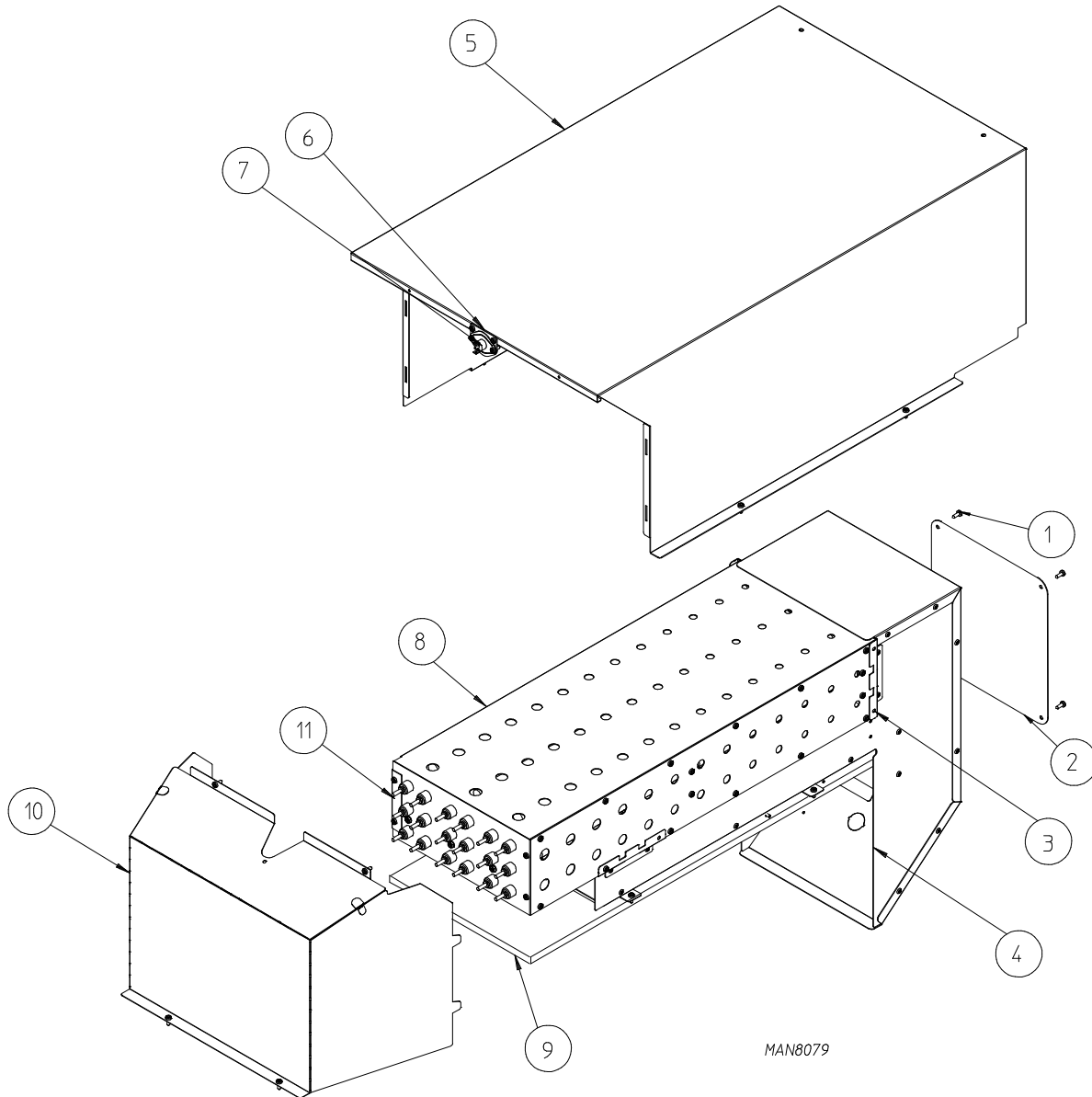
<u>Illus. No.</u>	<u>Part No.</u>	<u>Qty.</u>	<u>Description</u>
1	312644	1	Burner Tube Mounting Bracket
2	140839	1	#2 Natural Gas Orifice
	140820	1	#29 Liquid Propane Gas Orifice
	884497	1	Liquid Propane Conversion Kit
3	128918	1	Flame Sensor
4	150301	2	#8-18 x 7/16" Phillips Pan Head TEK Screw
5	150331	16	#8-18 x 1/2" Pan Head TORX® Screw
6	141131	1	Upshot Burner Assembly
7	887133	1	DSI Module 3 Tries
8	153017	2	#6 SAE Washer
9	152013	2	#6-32 Hex Nut
10	317144	1	1/2" Straight Burner Manifold
11	317141	1	CE Gas Valve Outlet Bracket
12	317145	1	Gas Pipe Bracket
13	128902	1	Ignitor with 36" Noise Suppression Cable
14	128979	1	Gas Valve 24V, 50/60 Hz
15	141317	1	1/2 Bronze Union Elbow
16	317145	1	Gas Valve Inlet Bracket
17	317194	1	Gas Train Mounting Channel
18	154338	2	m4 x 6mm Phillips Head Slotted Machine Screw
19	153008	2	6 Split Lock Washer
20	142636	1	1/2" x 36" Black Pipe Nipple
21	154355	1	U-Bolt for 1/2" Pipe with Nuts
22	142935	1	1/2" B.S.P.T. x 1/2" N.P.T. Transition Coupling (for 50 Hz models only)

Gas Burner Box and Preheat Conduit



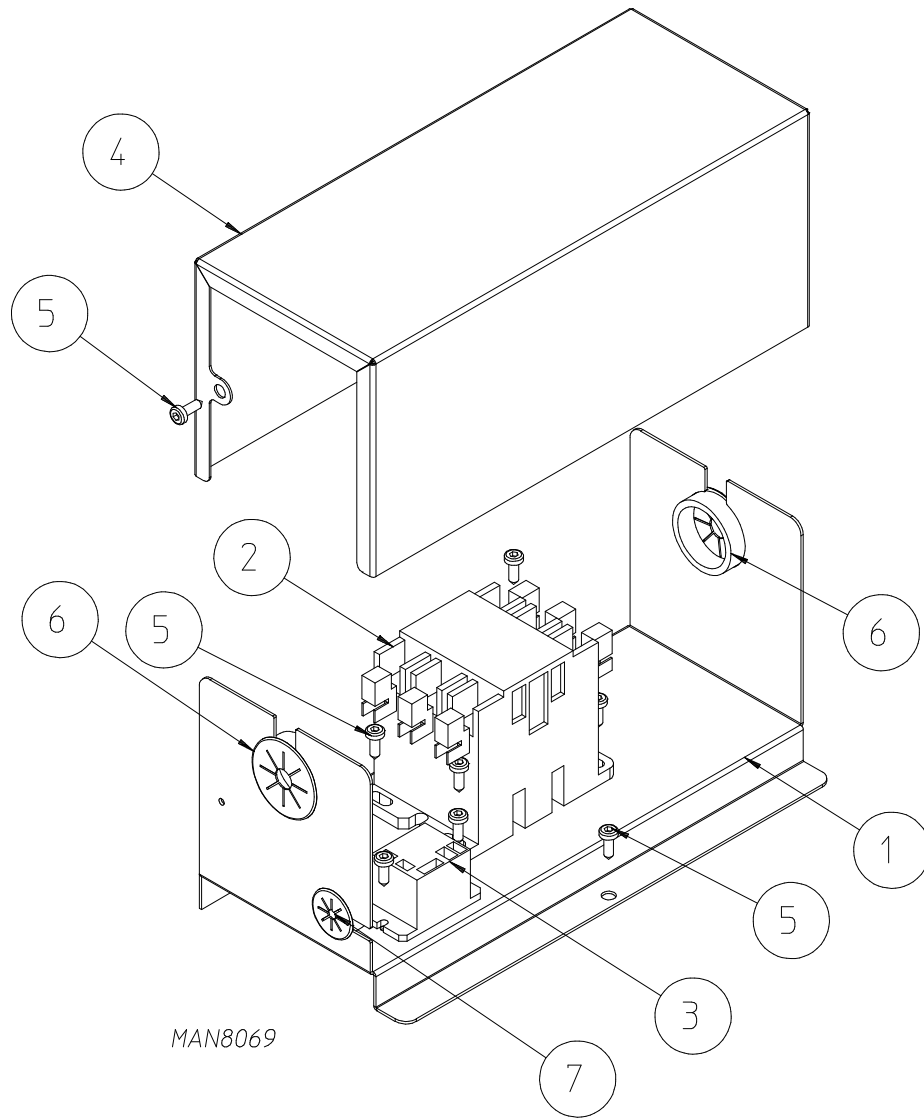
<u>Illus. No.</u>	<u>Part No.</u>	<u>Qty.</u>	<u>Description</u>
1	817719	1	Burner Box
2	154211	-	5/32" Buttonhead Rivet
3	150331	-	#8-18 x 1/2" Pan Head TORX® Screw
4	154200	7	5/32" Pop Rivet
5	116249	1	Burner Box Insulation
6	130201	1	330° F Manual Reset Thermostat
7	335468	1	Hi-Limit Bracket
8	817722	1	Preheat Top Conduit (includes illus. nos. 3, 6, and 7)
9	817724	1	Preheat Rear Conduit (includes illus. no. 10)
10	317151	1	Rear Conduit Access Cover

Electric Burner Assembly



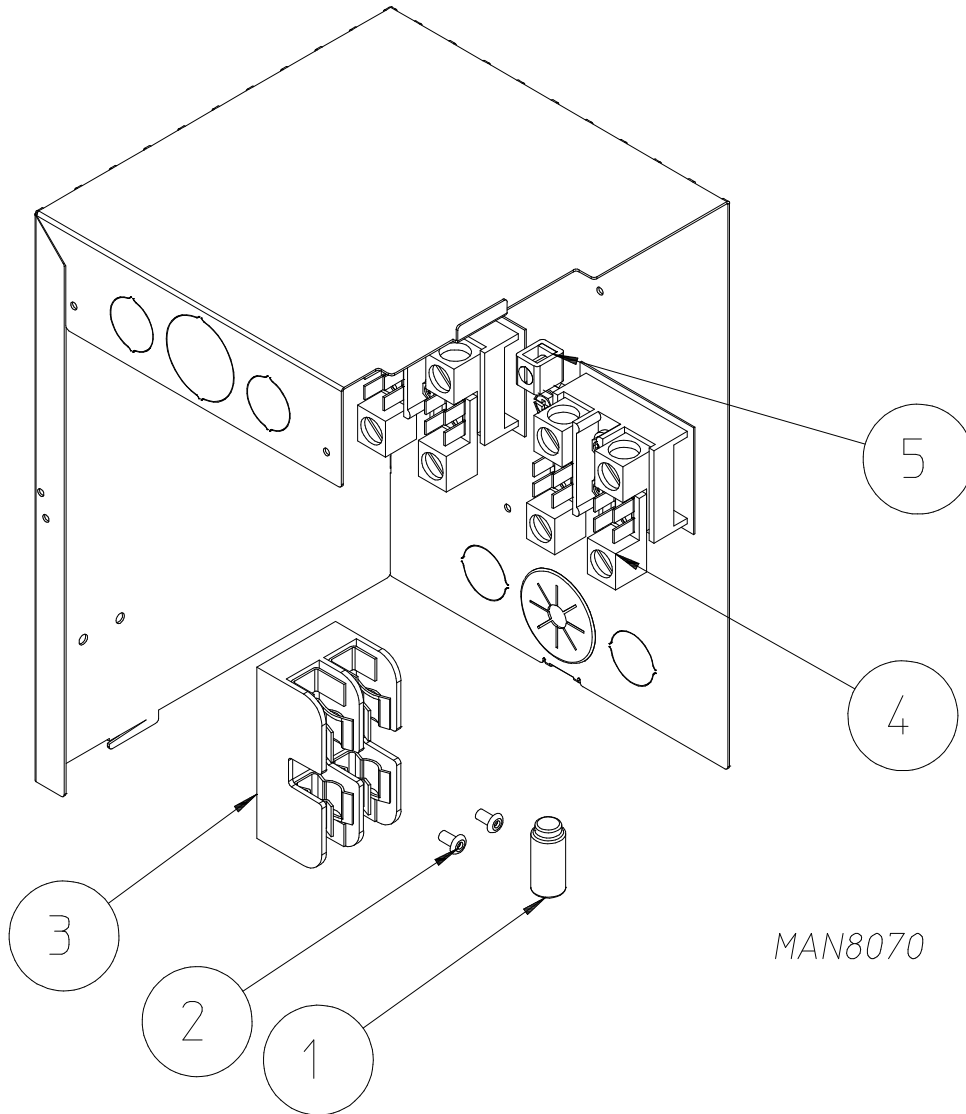
MAN8079

<u>Illus. No.</u>	<u>Part No.</u>	<u>Qty.</u>	<u>Description</u>
1	150331	8	#8-18 x 1/2" Pan Head TORX® Screw
2	305270	1	Electric Burner Box Cover
3	154211	27	5/32" Buttonhead Rivet
4	817369	1	Burner Box Assembly (includes illus. nos. 1, 2, 3, and 9)
5	817367	1	Electric Heat Top Conduit
6	335468	1	Hi-Limit Bracket
7	130301	1	225° Hi-Limit Thermostat
8	805101	1	Electric Oven Assembly (includes illus. no. 11)
9	116249	1	Burner Box Insulation
10	817366	1	Front Heat Deflector
11	119997	1	Electric Element

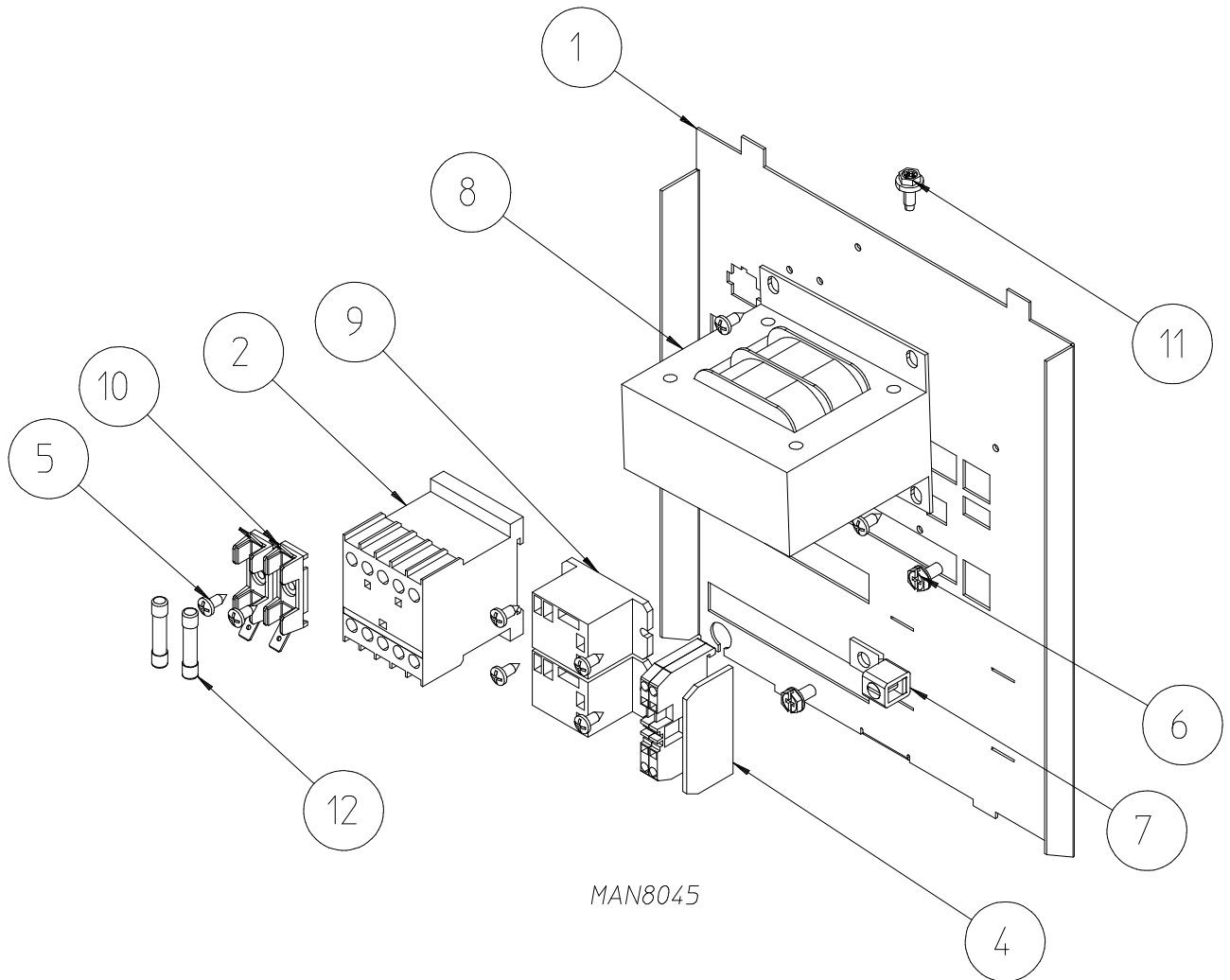


<u>Illus. No.</u>	<u>Part No.</u>	<u>Qty.</u>	<u>Description</u>
1	305273	1	Electric Heat Contactor and Relay Bracket
2	131379	1	TPST 40-amp Oven Contactor
	131378	1	TPST 65-amp Oven Contactor
3	131406	1	Relay SPDT 24VAC Panel Mount
4	305421	1	Electric Heat Contactor and Relay Cover
5	150331	8	#8-18 x 1/2" Pan Head TORX® Screw
6	121410	2	1-3/8" Universal Bushing
7	121400	1	7/8" Universal Bushing

Electric Heat Terminal Block Panel

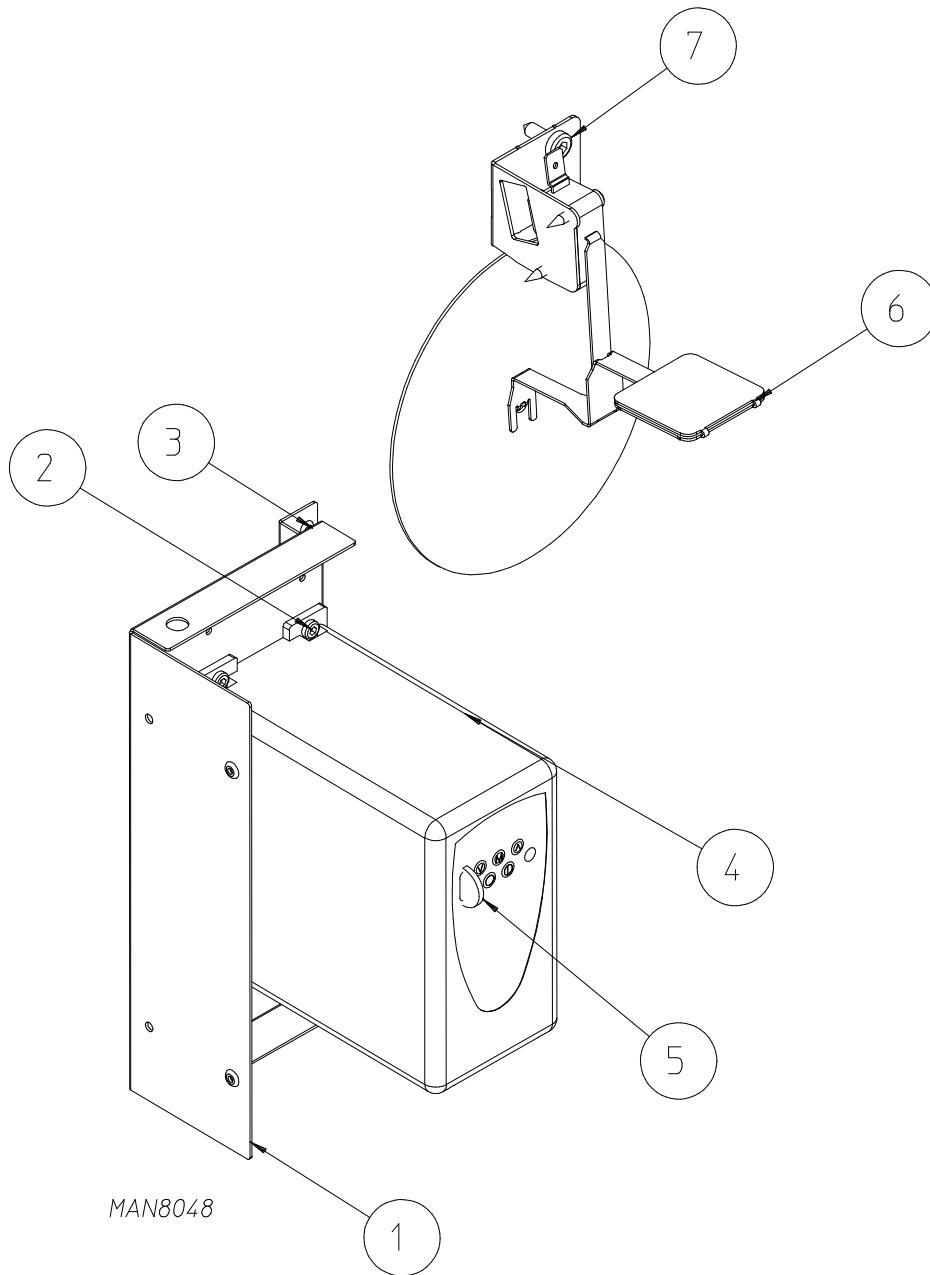


<u>Illus. No.</u>	<u>Part No.</u>	<u>Qty.</u>	<u>Description</u>
1	136120	2	25-amp Time Delay Fuse
2	154200	2	5/32" Pop Rivet
3	136037	1	Class CC Fuse Block
4	120699	2	2-Pole Power Terminal Block
	120698	2	2-Pole Power Terminal Block Insulator
5	121010	1	L70 14-4 Terminal Lug

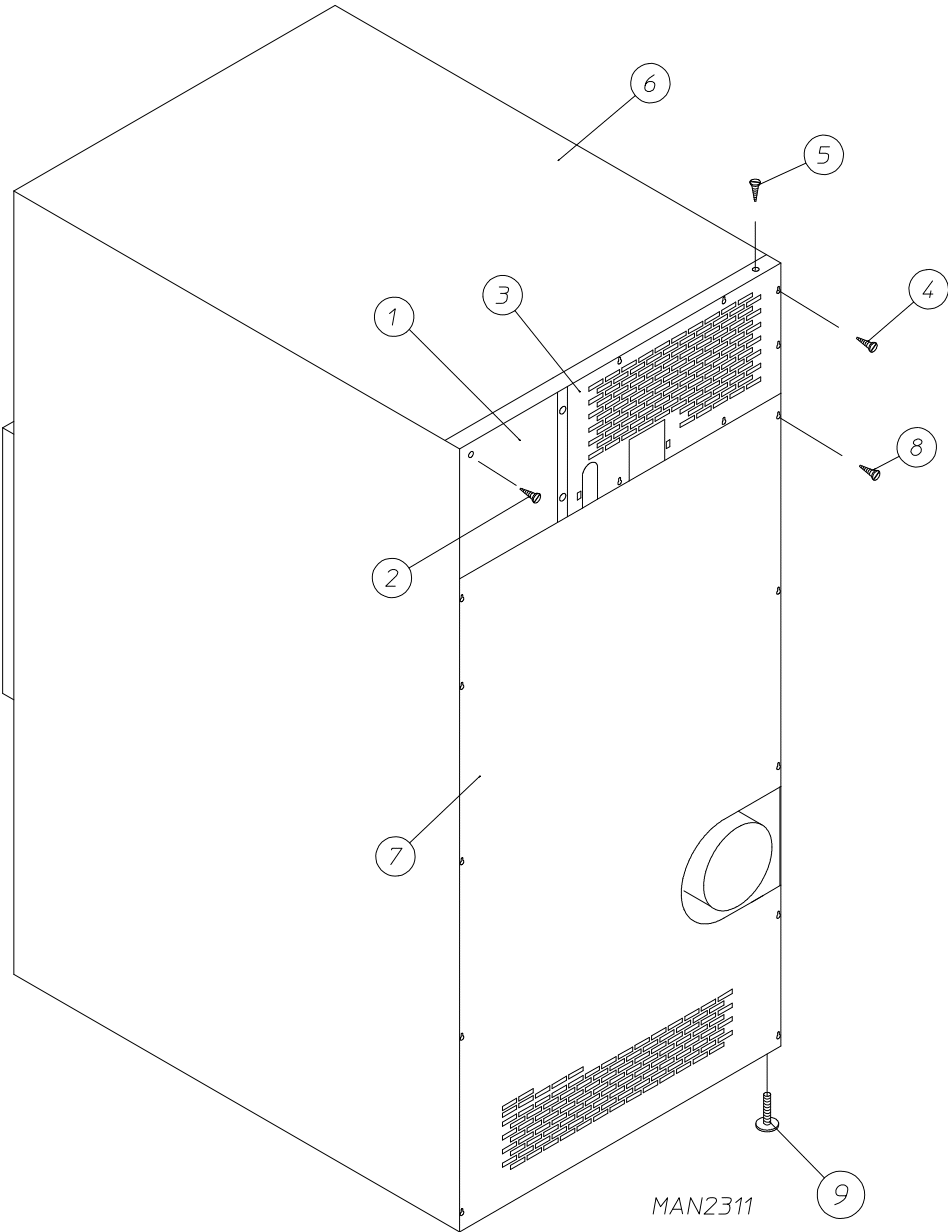


<u>Illus. No.</u>	<u>Part No.</u>	<u>Qty.</u>	<u>Description</u>
1	398301	1	Electrical Panel ONLY
	803385	1	208-240V 1 ϕ Electrical Panel
	805515	1	380-416V 3 ϕ Electrical Panel (electric heat only)
2	131394	1	3-Pole Contactor
3	120786	-	2 Cod. Thru Terminal Block
4	120787	1	End Plate
5	150301	-	#8-18 x 7/16" Phillips Pan Head TEK Screw
6	120910	2	Green Ground Screw
7	121010	1	L70 14-4 Terminal Lug
8	803383	1	Transformer Assembly
9	131406	2	Relay SPDT 24 VAC Panel Mount
10	136008	-	Fuse Holder
11	150297	1	#10-16 x 0.5 Hex Washer TEK Screw (green)
12	136101	-	.8-amp Slo-Blo Fuse

VFD and Sail Switch Assemblies

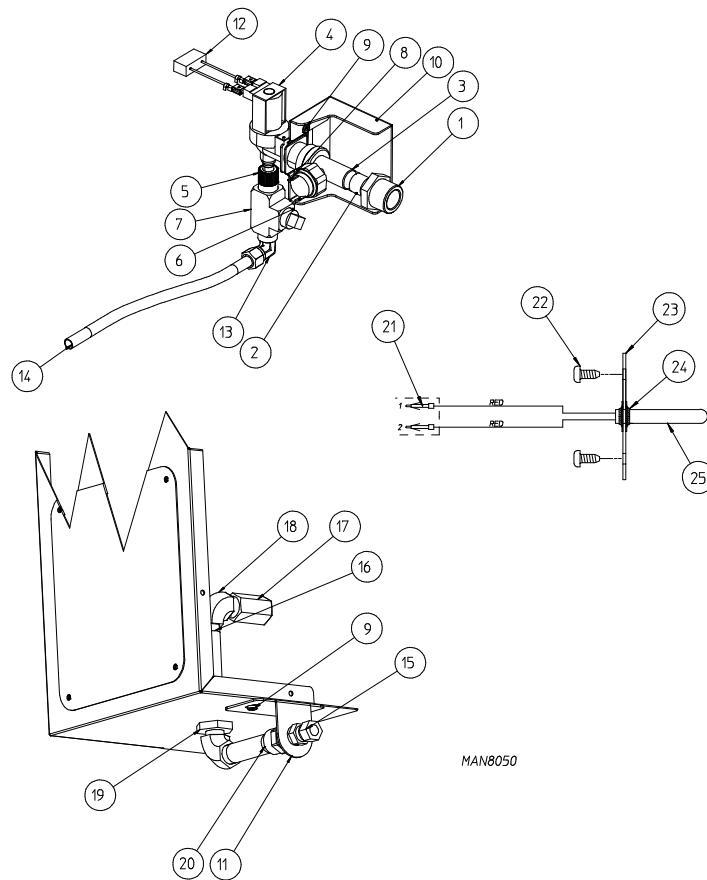


<u>Illus. No.</u>	<u>Part No.</u>	<u>Qty.</u>	<u>Description</u>
1	335438	1	VFD Mounting Bracket
2	150331	4	#8-18 x 1/2" Pan Head TORX® Screw
3	154200	4	5/32" Pop Rivet
4	181150	1	120V 1Ø VFD
	181175	1	200-240V 1Ø and 3Ø VFD
5	181164	1	Logicstick
6	828238	1	Sail Switch Assembly
7	150331	2	#8-18 x 1/2" Pan Head TORX® Screw



<u>Illus. No.</u>	<u>Part No.</u>	<u>Qty.</u>	<u>Description</u>
1	355017	1	Back Electrical Box Cover
2	150331	4	#8-18 x 1/2" Pan Head TORX® Screw
3	317169	1	Top Back Guard
4	150331	5	#8-18 x 1/2" Pan Head TORX® Screw
5	150331	7	#10-16 x 1/2" Hex Washer TEK Screw
6	817733	1	Outer Top
7	317168	1	Bottom Back Guard
8	150331	9	#8-18 x 1/2" Pan Head TORX® Screw
9	103500	4	Leveling Leg

Fire Suppression Assembly



<u>Illus. No.</u>	<u>Part No.</u>	<u>Qty.</u>	<u>Description</u>
1	143356	1	3/4" NH Male x 3/8" N.P.T. Reducing Bushing (for 60 Hz)
	143263	1	0.750 x 0.375 Brass Reducing Bushing (for 50 Hz)
2	143348	1	3/8" x 1-1/2" Brass Nipple
3	143182	1	0.75 x Ght 0.125 x 0.375 N.P.T. Brass Tee
4	165119	1	F.S.S. Water Inlet Valve
5	143183	1	0.4375-20 x 0.375 N.P.T. Brass Adapter
6	143251	1	0.375 MPT Brass Plug
7	143220	1	0.375 F.P.T. Brass Tee
8	136987	1	Water Jet Pressure Switch
9	150331	6	#8-18 x 1/2" Pan Head TORX® Screw
10	317180	1	F.S.S. S.A.F.E. Valve Bracket
11	317181	1	Nozzle Bracket
12	824081	1	R.C. Network Assembly
13	143320	1	0.375 Comp x 0.375 M.N.P.T. Brass Elbow
14	143099	9	0.375 Soft Copper Tubing 8.5"
15	143208	1	0.375 Comp x 0.375 M.P.T. Connector
16	143308	2	0.375" x 5" Brass Nipple
17	143581	1	Fire Suppression Nozzle
18	143155	2	0.375 Brass Street Elbow
19	143257	1	0.375 Bulkhead Adapter
20	184123	1	3/8" Brass Coupling
21	122679	1	Connector ONLY
22	150301	2	#8-18 Pan Head Screw
23	185428	1	Sensor Bracket ONLY
24	154007	2	Push-On Fastener
25	819188	1	S.A.F.E. Temperature Probe Assembly (includes illus. nos. 21, 23, and 24)

<u>Part No.</u>	<u>Description</u>
114006	"WARNING – Fire Hazards" Label
112280	"Clean Lint Screen" Label
114001	"CAUTION – Exhaust / Lint Screen" Label
120100	3/8" Straight (BX) Connector
120300	3/8" x 45° (BX) Connector
120400	3/8" Red Jacket (BX) Insulator
120500	3/8" Jiffy Clip (BX retainer clip)
120600	3/8" Greenfield (BX)
120707	(2-Position) Terminal Strip
120708	(3-Position) Terminal Strip
120800	1/4" In-Line Connector
120802	Red Butt Connector
120902	#74B Wire Nut
120903	Crimp-On Wire Nut
121014	1/4" Insulated (female) Terminal
121026	Tab Receptacle Combination
121499	5-1/2" Harness Tie
121500	8" Harness Tie
122804	Manometer (hydro gauge) for Measuring Gas Pressure
404502	White Brush-In-Cap Bottle Touch-Up Paint

