



AD-464 / ML-460 Parts Manual Phase 7

American Dryer Corporation
88 Currant Road
Fall River, MA 02720-4781
Telephone: (508) 678-9000 / Fax: (508) 678-9447
E-mail: techsupport_large_dryers@amdry.com

www.amdry.com

Retain This Manual In A Safe Place For Future Reference

American Dryer Corporation products embody advanced concepts in engineering, design, and safety. If this product is properly maintained, it will provide many years of safe, efficient, and trouble free operation.

ONLY qualified technicians should service this equipment.

OBSERVE ALL SAFETY PRECAUTIONS displayed on the equipment or specified in the installation manual included with the dryer.

The following “**FOR YOUR SAFETY**” caution must be posted near the dryer in a prominent location.

FOR YOUR SAFETY

Do not store or use gasoline or other flammable vapors and liquids in the vicinity of this or any other appliance.

POUR VOTRE SÉCURITÉ

Ne pas entreposer ni utiliser d'essence ni d'autres vapeurs ou liquides inflammables à proximité de cet appareil ou de tout autre appareil.

We have tried to make this manual as complete as possible and hope you will find it useful. ADC reserves the right to make changes from time to time, without notice or obligation, in prices, specifications, colors, and material, and to change or discontinue models.

Important

For your convenience, log the following information:

DATE OF PURCHASE _____ MODEL NO. _____

RESELLER'S NAME _____

Serial Number(s) _____

Replacement parts can be obtained from your reseller or the ADC factory. When ordering replacement parts from the factory, you can FAX your order to ADC at (508) 678-9447 or telephone your order directly to the ADC Parts Department at (508) 678-9000. Please specify the dryer model number and serial number in addition to the description and part number, so that your order is processed accurately and promptly.

The illustrations on the following pages may not depict your particular dryer exactly. The illustrations are a composite of the various dryer models. Be sure to check the descriptions of the parts thoroughly before ordering.

“IMPORTANT NOTE TO PURCHASER”

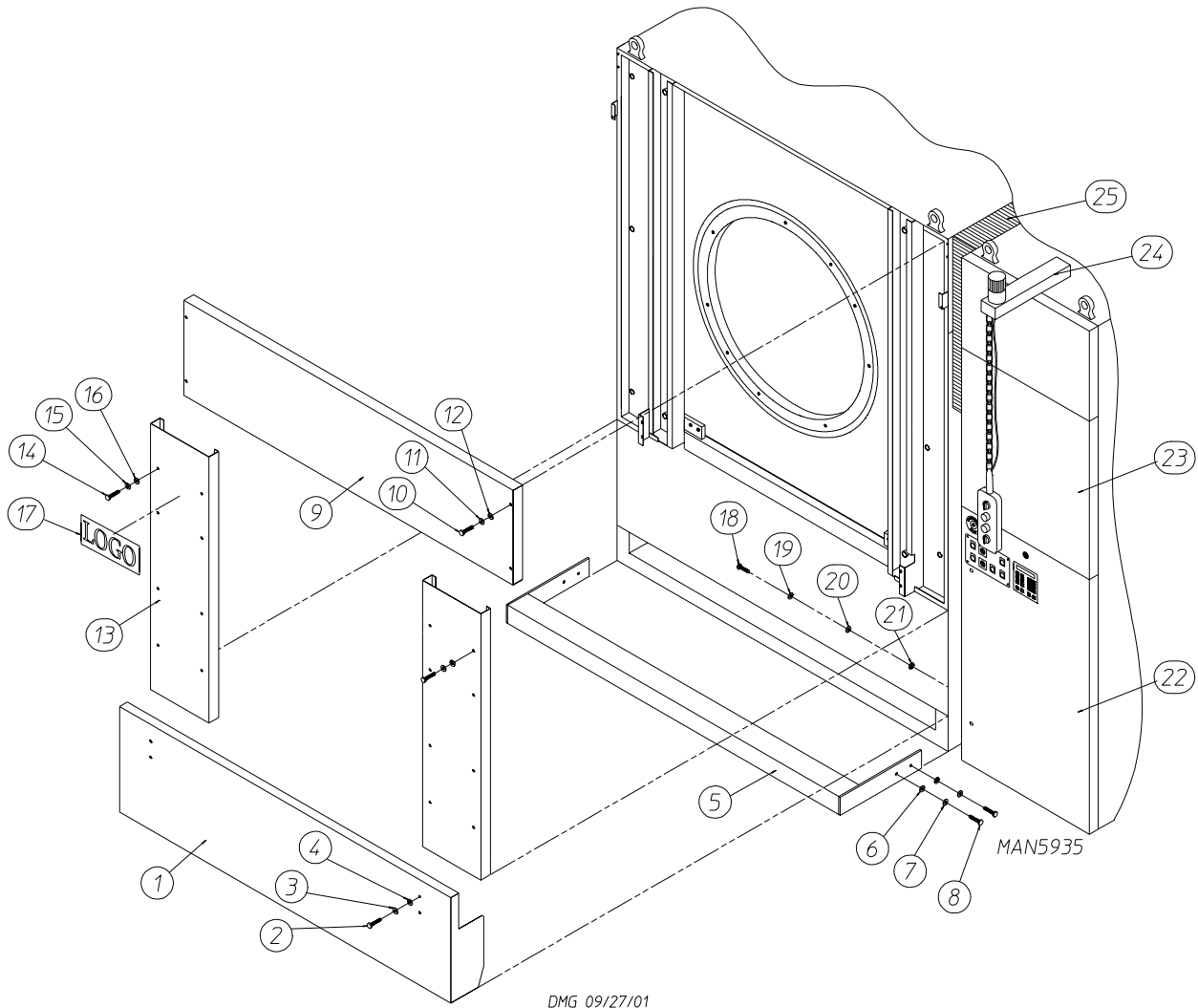
Information must be obtained from your local gas supplier on the instructions to be followed if the user smells gas. These instructions must be posted in a prominent location near the dryer.

Table of Contents

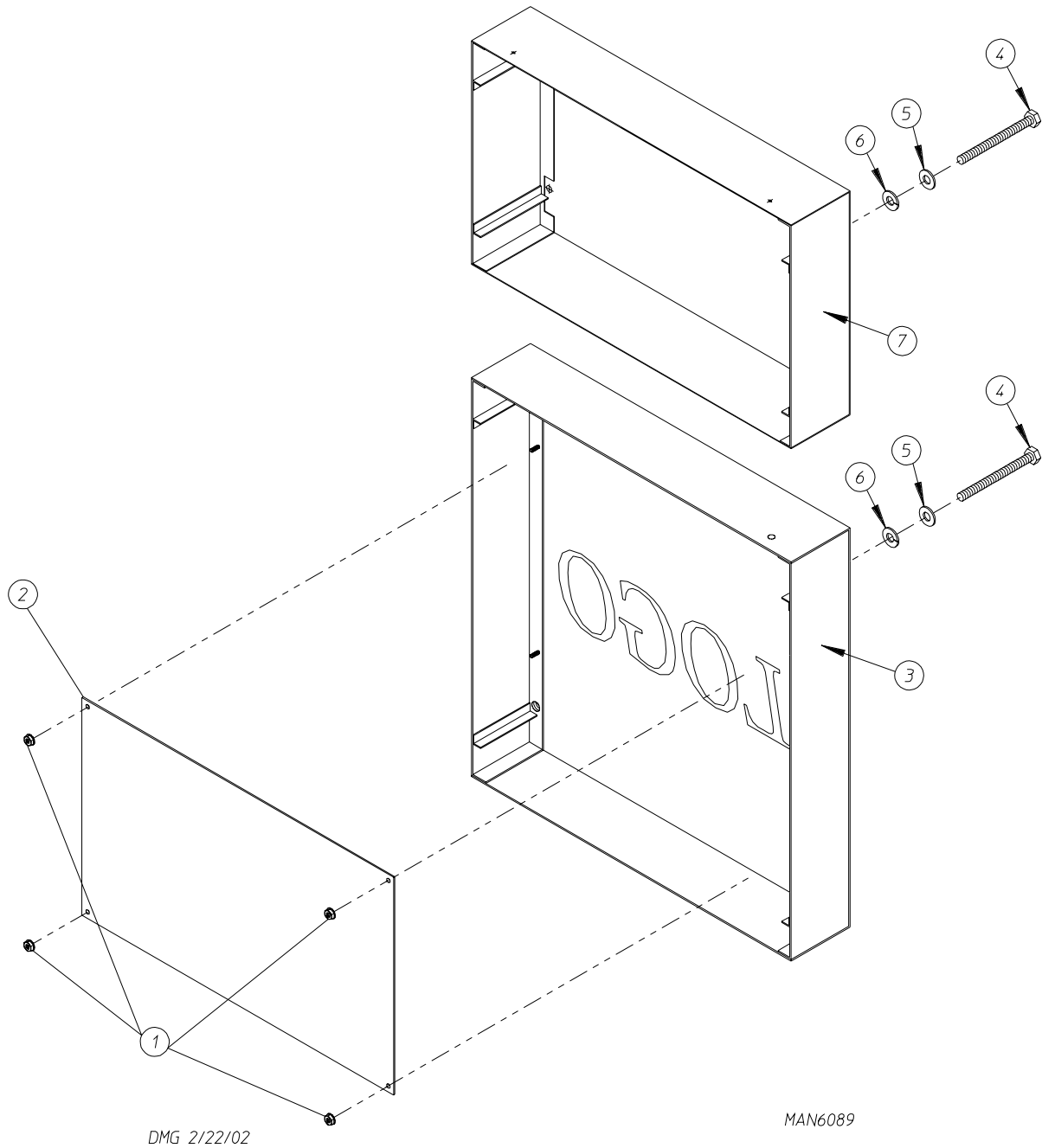
Front Safety Panel Assemblies	4, 5
Character Panel Assembly	6
Pendant Mounting Assembly	7
Front Right Control Panel Assembly	8, 9
Front Right Cabinet Location Diagram	10, 11
Reversing Contactor Panel Assembly	12, 13
Burner Control Panel Assembly	14, 15
I/O Board and PLC Panel Assembly	16, 17
Main Power Junction Panel Assembly	18, 19
Rear Right Control Panel Assembly	20, 21
Front Load Door Panel Assembly	22, 23
Cylinder Clevis Assembly	24
Console Brush Assembly	25
Top Access Door Assembly For Gas Models Only	26
Top Access Door Assembly For Steam Models Only	27
Top Console Panel Assembly For Steam Models Only	28
Top Console Left Hand Door Assembly For Gas Models Only	29
Top Console Left Hand Door Assembly For Steam Models Only	30
Lower Console Left Hand Door Assembly For Gas Models Only	31
Lower Console Left Hand Door Assembly For Steam Models Only	32
Heat Console Right Hand Door Assembly For Steam Models Only	33
Lower Console Right Hand Door Assembly For Gas Models Only	34

Top Load Door Assembly	35
Bottom Load Door Assembly	36
Optional Inlet Air Adaptor Assembly	37
Optional Inlet Air Adaptor Left Door Assembly	38
Optional Inlet Air Adaptor Right Door Assembly	39
Left Side Panel Assembly	40
Sail Switch Assembly	41
Lint Basket Door Assembly	42
Lint Drawer/Basket Assembly	43
Solid Back Panel Assembly	44, 45
Basket (Tumbler) Drive Shaft Assembly	46, 47
Basket (Tumbler) Idler Shaft Assembly	48
Basket (Tumbler) Retaining Wheel Mount Assembly	49
Drive Motor Assembly	50
Basket (Tumbler) Brush Holder Assembly	51
Basket (Tumbler) Rotational Sensor Switch Assembly	52
Front/Rear Tilting Switch	53
Tilting Piston Assembly	54
Piston Post Assembly For One-Way Tilt Models Only	55
Standard Main Fan Blower Assembly	56, 57
Optional Dirty Fan Blower Assembly	58, 59
Combustion Air Assembly For Gas Models Only	60, 61
Combustion Air Switch Assembly For Gas Models Only	62
Burner Assembly For Gas Models Only	63
High/Low Fire Gas Piping Assembly	64, 65
Burner Box Housing Assembly For Gas Models Only	66

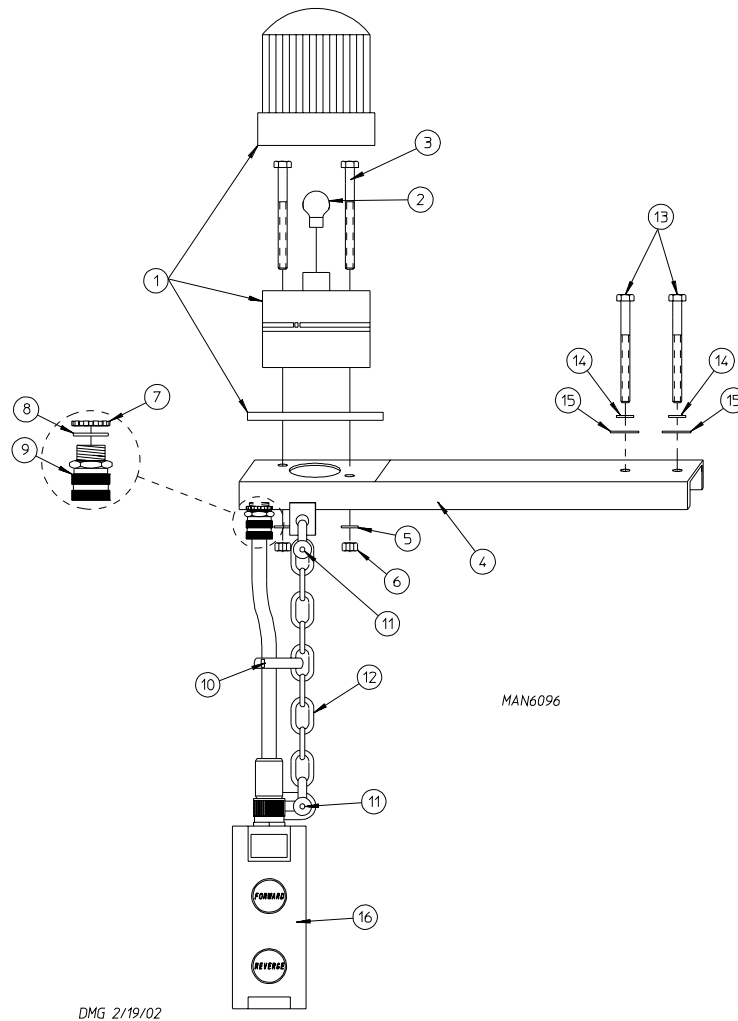
Door Switch Assembly	67
Phase 7 Probe Bracket Assembly	68
Cool Down Damper Assembly For Steam Models Only	69
Steam Coil Piping Assembly For Steam Models Only	70-73
Intake Air Damper Assembly For Steam Models Only	74
Top View of Heat Console For Gas Models Only	75
Heat Reclaimer Damper Assembly	76, 77
Pneumatic Panel Assembly 2 Door/2-Way Tilt	78, 79
Pneumatic Panel Assembly 1 Door/2-Way Tilt	80, 81
Pneumatic Panel Assembly 2 Door/1-Way Tilt	82, 83
Filter/Regulator Assembly	84, 85
Suppression System Upper Piping Assembly For Models Mfd. as of April 24, 2002	86, 87
Suppression System Lower Piping Assembly For Models Mfd. as of April 24, 2002	88, 89
Optional Sprinkler Control Panel For Models Mfd. prior to April 24, 2002	90, 91
Upper Sprinkler Assembly For Models Mfd. prior to April 24, 2002	92, 93
Lower Sprinkler Assembly For Models Mfd. prior to April 24, 2002	94, 95
Sprinkler Horn Assembly For Models Mfd. prior to April 24, 2002	96
Reversing Contactor Panel Assembly Chart	97
Front Right Control Panel Assembly Chart	98
Main Power Junction Panel Assembly Chart	99
Rear Right Control Panel Assembly Chart	100



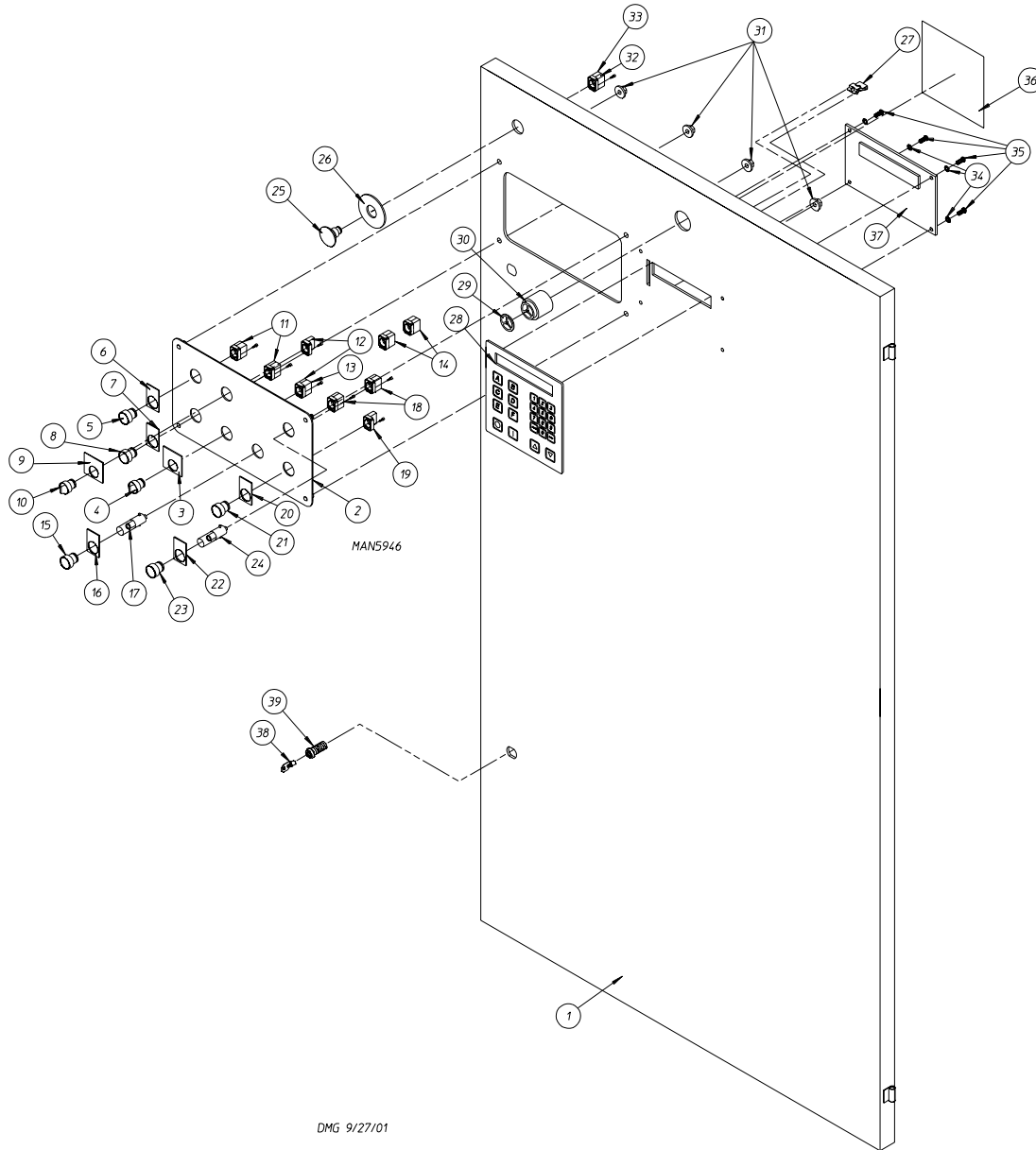
<u>Illus. No.</u>	<u>Part No.</u>	<u>Qty.</u>	<u>Description</u>
1	820897	1	Rigid Bottom Safety Panel
2	150501	4	5/16-18 x 3/4" Tap Bolt
3	153002	4	5/16" Lock Washer
4	153001	4	5/16" Flat Washer
5	820636	1	Step Bar
6	153011	4	1/2" Flat Washer
7	153026	4	1/2" Lock Washer
8	150605	4	1/2-13 x 1-1/2" Tap Bolt
9	820594	1	Top Panel
10	150514	4	5/16-18 x 2-1/4" Tap Bolt
11	153002	4	5/16" Lock Washer
12	153001	4	5/16" Flat Washer
13	332018	2	Loading Door Side Panel
14	150501	16	5/16-18 x 3/4" Tap Bolt
15	153002	16	5/16" Lock Washer
16	153001	16	5/16" Flat Washer
17	123555	1	ADC Large Logo
	870011	1	Double Tape Kit ONLY
--	112373	-	Milnor Large Logo
18	150600	7	3/8-16 x 1-1/2" Tap Bolt
19	153005	7	3/8" Lock Washer
20	153004	7	3/8" Flat Washer
21	154340	7	7/16" Beveled Washer
22	-----	1	Control Door Assembly (refer to Front Right Control Panel Assembly on page 8 and page 9)
23	-----	1	Character Panel Assembly (refer to Character Panel Assembly on page 6)
24	-----	1	Pendant Mounting Assembly (refer to Pendant Mounting Assembly on page 7)
25	-----	1	Console Brush Assembly (refer to Console Brush Assembly on page 25)



<u>Illus. No.</u>	<u>Part No.</u>	<u>Qty.</u>	<u>Description</u>
1	152014	4	1/4-20 Free Spin Wash Nut
2	331959	1	Character Panel Backing Plate
3	846792	1	AD-464 Character Panel
	846868	1	ML-460 Character Panel
4	150515	8	5/16-18 x 7-1/2" Hex Head Bolt
5	153002	8	5/16" Lock Washer
6	153001	8	5/16" Flat Washer
7	846793	1	Heat Console Top Front Safety Panel



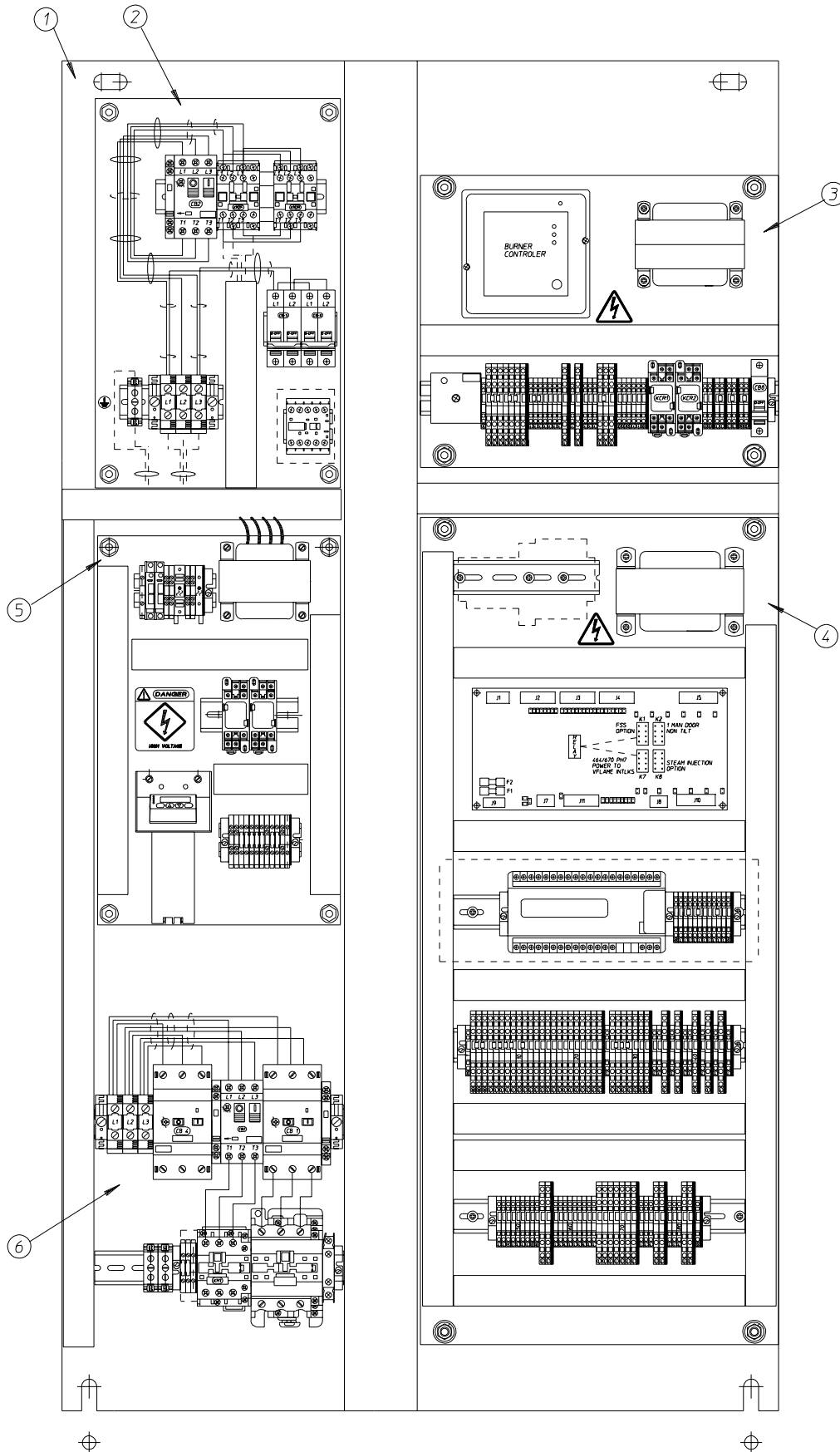
Illus. No.	Part No.	Qty.	Description
1	123222	1	Single Stage Orange Steady Light
2	123221	1	24V Replacement Lamp
3	150103	2	#8-32 x 3/4" Machine Screw
4	820545	1	Mounting Arm and Control
5	153012	2	#8 Star Washer
6	152001	2	#8-32 Nut
7	120915	1	1/2" Lock Nut
8	120914	1	1/2" Sealing Washer
9	120655	1	1/2" N.P.T. Blue Straight Cord Grip
10	121508	6	Black Tie Wraps
11	108126	2	Anchor Shackle with Pin
12	108125	6	Chain (sold by the foot)
13	150526	2	1/4-20 x 3" Bolt
14	153007	2	1/4" Lock Washer
15	153018	2	1/4" Flat Washer
16	132409	1	Pendant Station with Cord Set
-	150535	2	#10-32 x 3/4" Flat Socket Head Cap Screw – Not Illustrated
-	153024	2	#10 Split Lock Washer – Not Illustrated
-	152008	2	#10-32 Hex Nut – Not Illustrated
-	102004	2	Compact Door Magnet – Not Illustrated



DMG 9/27/01

<u>Illus. No.</u>	<u>Part No.</u>	<u>Qty.</u>	<u>Description</u>
1	817613	1	Front Right Control Door ONLY
2	-----	1	Front Right Control Door Panel ONLY (refer to Front Right Control Panel Assembly Chart on page 98)
3	122438	1	Load/Dry/Unload Nameplate
4	122361	1	3-Position Maintained Operator
5	123203	1	Black Push Button Operator
6	122415	1	Nameplate "Forward"
7	122416	1	Nameplate "Reverse"
8	123202	1	White Push Button Operator
9	122413	1	Tilt Off/Tilt On Nameplate
10	122360	1	2-Position Maintained Operator
11	132396	2	Mounting Base with Normally Opened (N.O.) and Normally Closed (N.C.) Contact Block
12	132394	2	Mounting Base with Normally Opened (N.O.) Contact Block

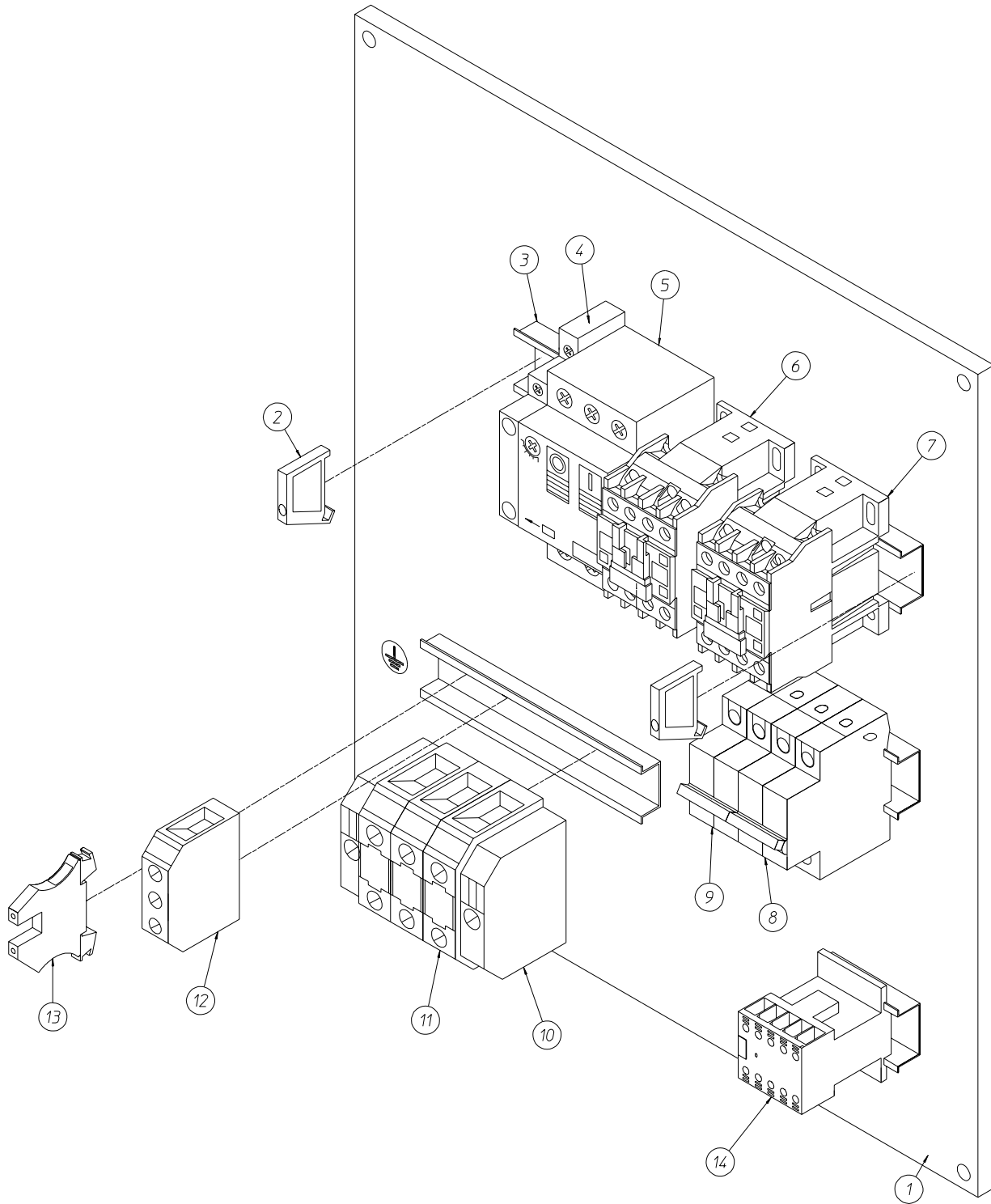
<u>Illus. No.</u>	<u>Part No.</u>	<u>Qty.</u>	<u>Description</u>
13	132386	1	Normally Opened (N.O.) Contact Block
14	132387	4	Normally Closed (N.C.) Contact Block
15	123201	1	Green Lighted Push Button Operator
16	122410	1	Engraved Nameplate: ON
17	123212	1	24 Volt Lamp
18	132388	2	Normally Opened (N.O.) Contact Block with Direct Supply
19	132395	1	Mounting Base with Normally Closed (N.C.) Contact Block
20	122421	1	Engraved Nameplate: OFF
21	123204	1	Red Push Button Operator
22	122420	1	Sprinkler Stop Nameplate
23	123200	1	Amber Lighted Push Button Operator
24	123212	1	24 Volt Lamp
25	122351	1	“EMERGENCY STOP” (E-Stop) Operator
26	122419	1	Engraved “EMERGENCY STOP” (E-Stop) Label
27	121509	6	Tie Wrap Clips
28	112571	1	Phase 7 Keyboard (touch pad)
29	134018	1	Alarm Horn Volume Control
30	128967	1	80-90 Decibel Panel Mount Alarm Horn
31	152014	4	1/4-20 Hex Nut
32	132395	1	Mounting Base with Normally Closed (N.C.) Contact Block
33	132387	1	Normally Closed (N.C.) Contact Block
34	153010	4	#6 Star Washer
35	150005	4	#6-32 x 1/4” Phillips Round Head Machine Screw
36	122426	1	Caution Label
37	883311	1	Phase 7 Display and Input/Output (I/O) Board Set with Suppression System (for models mfd. as of April 24, 2002)
	883312	1	Phase 7 Display Board with Suppression System (for models mfd. as of April 24, 2002)
	883313	1	Phase 7 Input/Output (I/O) Board with Suppression System (for models mfd. as of April 24, 2002)
	882894	1	Phase 7 Display and Input/Output (I/O) Board Set without Suppression System (for models mfd. prior to October 2000)
	882896	1	Phase 7 Display Board without Suppression System (for models mfd. between October 2000 and April 2002)
	882895	1	Phase 7 Input/Output (I/O) Board without Suppression System (for models mfd. between October 2000 and April 2002)
38	160140	1	ACE® XX4451 Key ONLY
39	160050	1	ACE® Control Door Lock Less Key (keyed to #XX4451)



MAN5947

DMG 9/27/01

<u>Illus. No.</u>	<u>Part No.</u>	<u>Qty.</u>	<u>Description</u>
1	-----	1	Electrical Panel Assembly
2	-----	1	Reversing Contactor Panel Assembly (refer to Reversing Contactor Panel Assembly on page 12 and page 13)
3	-----	1	Burner Control Panel Assembly (refer to Burner Control Panel Assembly on page 14 and page 15)
4	-----	1	Input/Output Board/PLC Panel Assembly (refer to I/O Board and PLC Panel Assembly on page 16 and page 17)
5	-----	1	Suppression System Lower Piping Assembly (for models mfd. as of April 24, 2002) (refer to Suppression System Lower Piping Assembly on page 88 and page 89)
	-----	1	Suppression System Upper Piping Assembly (for models mfd. as of April 24, 2002) (refer to Suppression System Upper Piping Assembly on page 86 and page 87)
	-----	1	Optional Sprinkler Panel Assembly (for models mfd. prior to April 24, 2002) (refer to Optional Sprinkler Control Panel on page 90 and page 91)
6	-----	1	Main Power Junction Panel Assembly (refer to Main Power Junction Panel Assembly on page 18 and page 19)

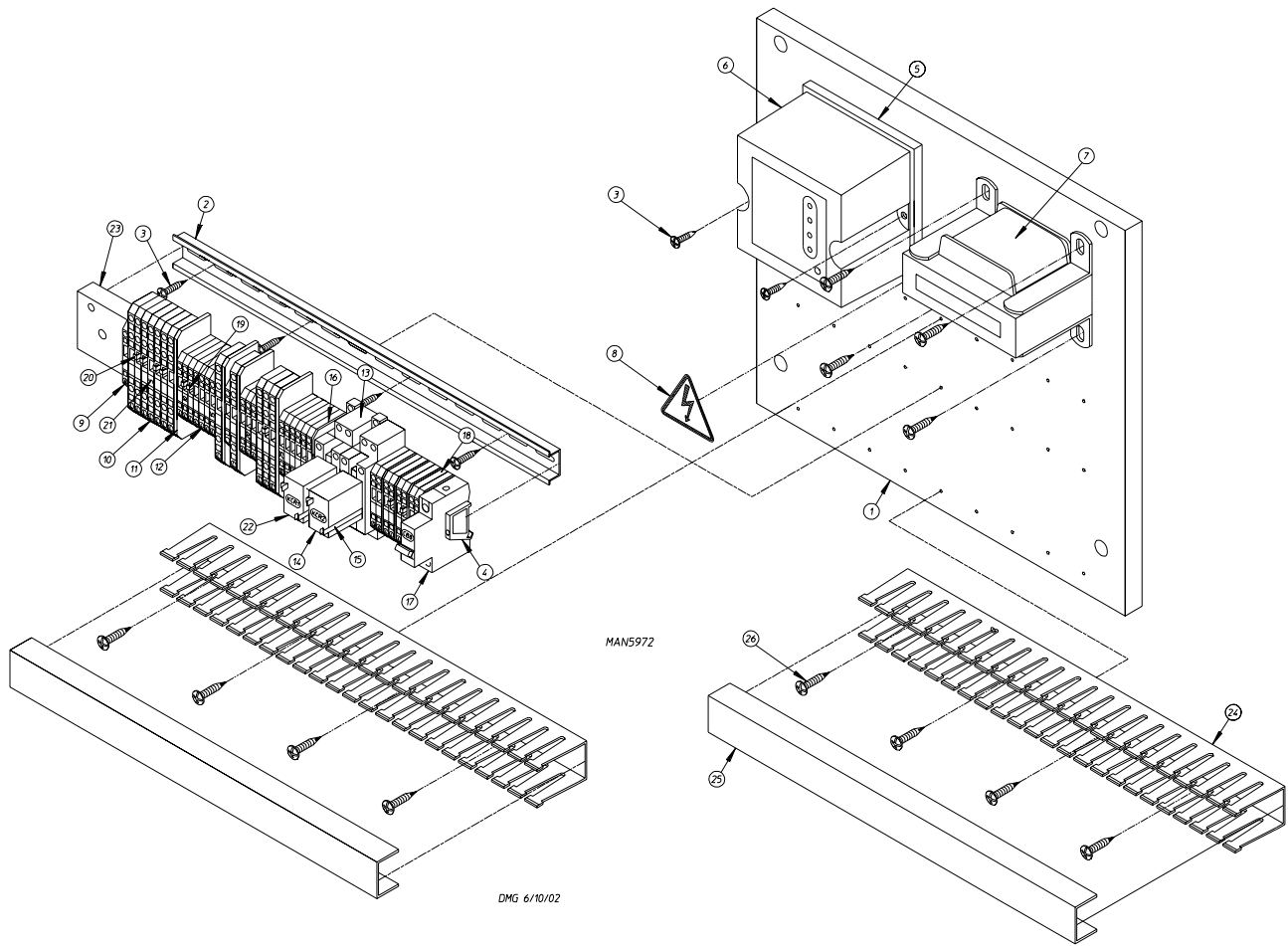


DMG 6/11/02

MAN6150

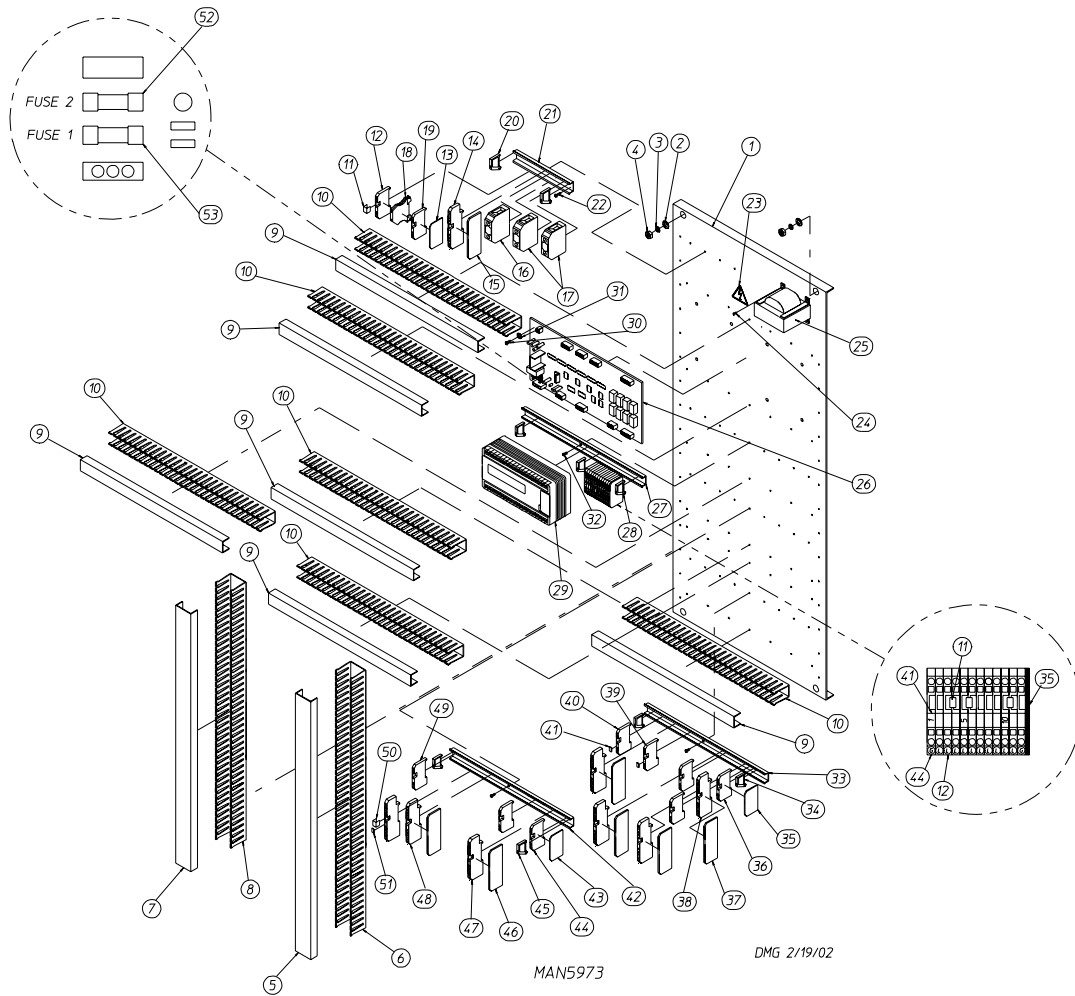
<u>Illus. No</u>	<u>Part No.</u>	<u>Qty.</u>	<u>Description</u>
1	856301	1	Reversing Contactor Panel Assembly with Suppression System (for models mfd. as of April 24, 2002)
	856129	1	Reversing Contactor Panel Assembly with Sprinkler (for models mfd. prior to April 24, 2002)
2	120765	2	End Stop
3	120768	*	35 x 15mm Din Rail
4	-----	1	Auxiliary Contact Block (refer to the Reversing Contactor Panel Assembly Chart on page 97)
5	-----	1	Thermal Magnetic Breaker (refer to the Reversing Contactor Panel Assembly Chart on page 97)
6	132437	2	Varistor
7	-----	1	Reversing Contactor (refer to the Reversing Contactor Panel Assembly Chart on page 97)
8	-----	1	CB-#8 2-Pole Circuit Breaker (refer to the Reversing Contactor Panel Assembly Chart on page 97)
9	-----	1	CB-#5 2-Pole Circuit Breaker (refer to the Reversing Contactor Panel Assembly Chart on page 97)
10	120770	2	End Bracket
11	120760	3	Terminal Block
12	120727	1	Ground Terminal Block
13	120750	1	Ground Terminal Block
14	132494	1	3 HP Control Relay (sprinkler option Only) (for models mfd. prior to April 24, 2002)

* Sold by the inch.



<u>Illus. No</u>	<u>Part No.</u>	<u>Qty.</u>	<u>Description</u>
1	367329	1	Front Right Burner Control Panel
2	120768	*	35 x 15mm Din Mounting Rail
3	150300	10	#10-16 x 1/2" Hex Washer TEK Screw
4	120765	1	End Stop
5	141066	1	Burner Control Base
6	141065	1	Burner Control (veri flame)
7	130060	1	Transformer (150-300VA)
8	122424	1	Power Warning Label (small)
9	120773	8	2-Position Green/Yellow Ground Block "G"
10	120778	12	4-Position Gray Line Block "L"
11	120801	4	Large Insulation for 4-Position Block
12	120771	17	2-Position Gray Line Block "L"
13	131410	2	Relay Base
14	131412	1	Relay 10-amp 24 VAC Coil
15	131411	4	Hold Downs
16	120776	5	Small Insulator for 2-Position Block
17	135516	1	8-amp Single-Pole Thermal Magnetic Breaker
18	120772	1	2-Position Blue Neutral Block "N"
19	120777	5	2-Position Terminal Block Jumper
20	120805	4	4-Position Terminal Block Jumper
21	120999	7	Decade Marking Tags (60-100)
22	131405	1	Relay 10-amp 120V Coil
23	131318	1	0.5 to 10-second "Delay On" Timer
24	121430	*	1" x 3" Slotted Gray Wall Wiring Duct
25	121422	*	1" Gray Wiring Duct Cover
26	150301	8	#8-18 x 7/16" Phillips Pan Head TEK Screw
-	121400	2	Universal Bushing - Not Illustrated
-	123000	2	Red Indicator Lamp - Not Illustrated

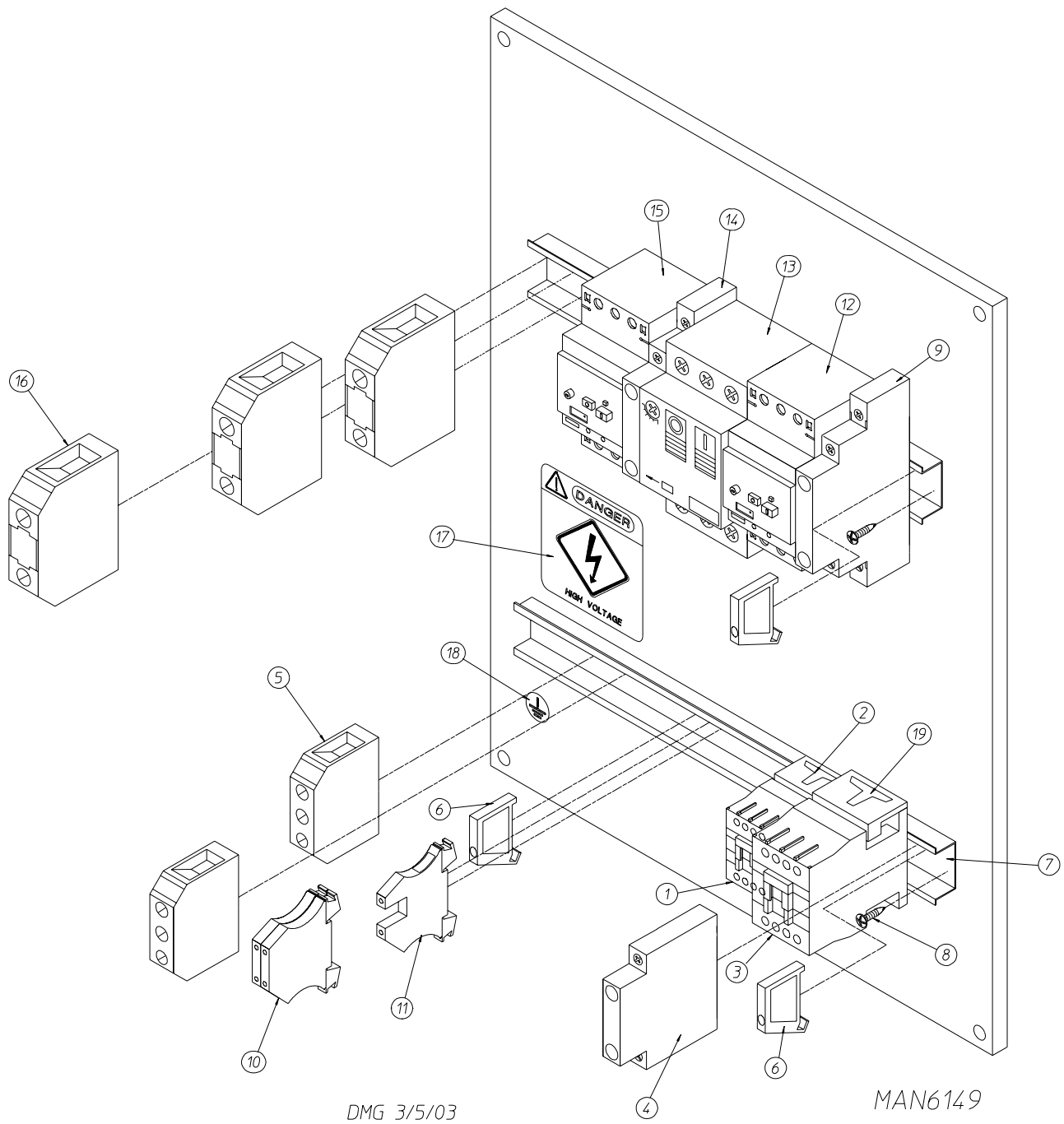
* Sold by the inch.



Illus. No.	Part No.	Qty.	Description
1	821833	1	Front Right Electrical Panel ONLY
2	150334	4	3/8" Flat Washer
3	153005	4	3/8" Lock Washer
4	152005	4	3/8-16 Hex Nut
5	121422	*	1" Wireway Cover
6	121430	*	1" x 3" Slotted Wall Wire Duct
7	121422	*	1" Wireway Cover
8	121430	*	1" x 3" Slotted Wall Wire Duct
9	121422	*	1" Wireway Cover
10	121430	*	1" x 3" Slotted Wall Wire Duct
11	120777	10	2-Position Terminal Block Jumper
12	120771	4	2-Position Gray Line Block
13	120776	6	Small Insulator for 2-Position Block
14	120778	2	4-Position Gray Line Block
15	120801	2	Large Insulator for 4-Position Block
16	-----	1	Circuit Breaker #7 (refer to Front Right Control Panel Assembly Chart on page 98)
17	-----	1	Circuit Breaker #6 (refer to Front Right Control Panel Assembly Chart on page 98)
18	120773	3	2-Position Green/Yellow Ground Block
19	120772	2	2-Position Blue Neutral Block

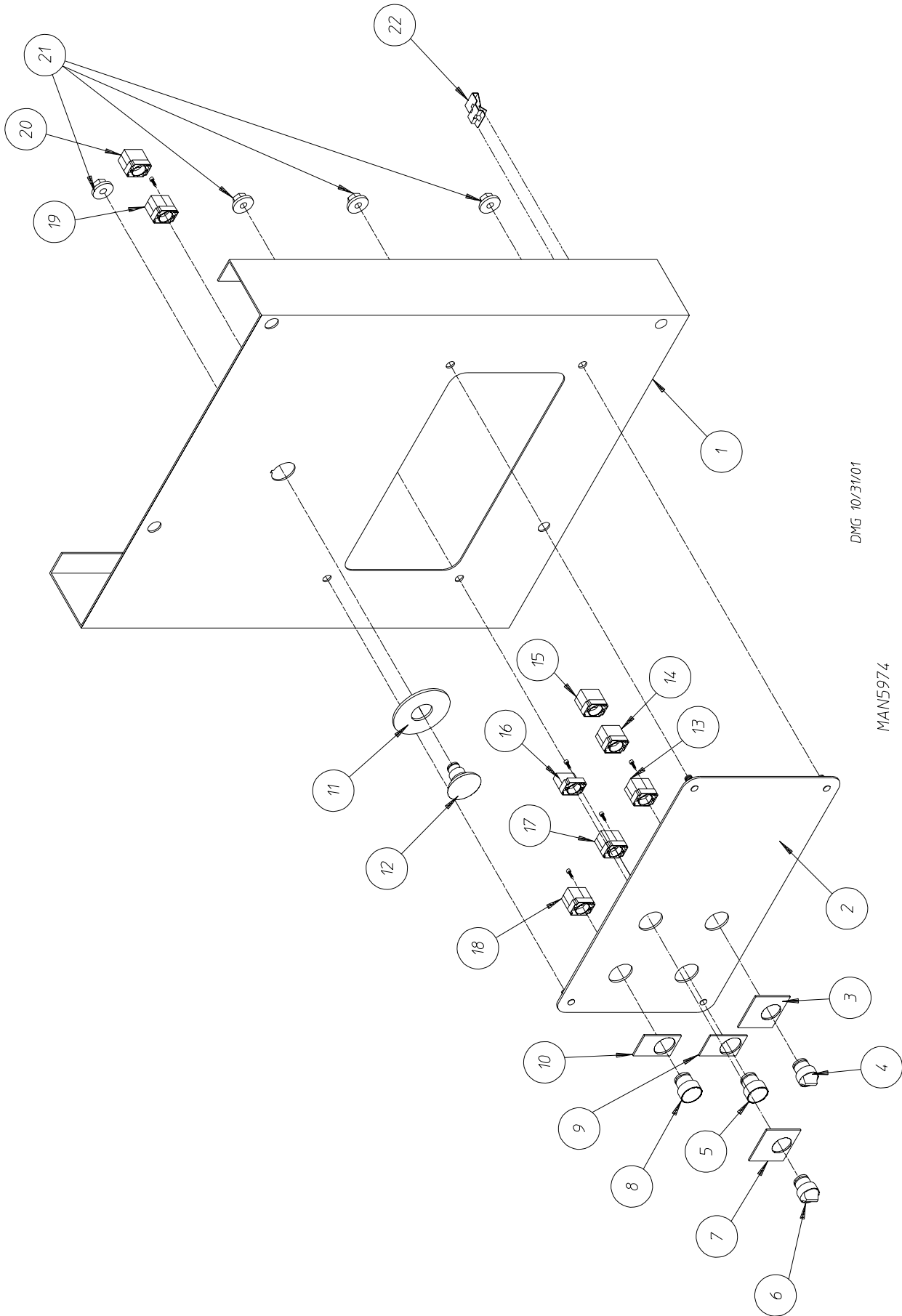
<u>Illus. No.</u>	<u>Part No.</u>	<u>Qty.</u>	<u>Description</u>
20	120765	2	Standard End Stop
21	120768	6	35 x 15mm Din Mounting Rail
22	150300	3	#10-16 x 1/2" Hex Washer TEK Screw
23	122424	1	Power Warning Label
24	150300	4	#10-16 x 1/2" Hex Washer TEK Screw
25	-----	1	Transformer Assembly (refer to Front Right Control Panel Assembly Chart on page 98)
26	883311	1	Phase 7 Display and Input/Output (I/O) Board Set with Suppression System (for models mfd. as of April 24, 2002)
	883313	1	Phase 7 Input/Output (I/O) Board with Suppression System (for models mfd. as of April 24, 2002)
	882895	1	Phase 7 Input/Output (I/O) Board without Suppression System (for models mfd. between October 2000 and April 2002)
	882494	1	Phase 7 Display and Input/Output (I/O) Board Set without Suppression System (for models mfd. prior to October 2000)
27	120768	28	35 x 15mm Din Mounting Rail
28	120765	2	Standard End Stop
29	883800	1	PLC
30	150005	4	#6-32 x 1/4" Phillips Round Head Machine Screw
31	153010	4	#6 Star Washer
32	150300	4	#10-16 x 1/2" Hex Washer TEK Screw
33	120768	*	35 x 15mm Din Mounting Rail
34	120765	2	Standard End Stop
35	120776	1	Small Insulator for 2-Position Block
36	120771	21	2-Position Gray Line Block
37	120801	4	Large Insulator for 4-Position Block
38	120778	13	4-Position Gray Line Block
39	120773	3	2-Position Green/Yellow Ground Block
40	120772	1	2-Position Blue Neutral Block
41	401024	4	Marking Tags
42	120768	*	35 x 15mm Din Mounting Rail
43	120776	1	Small Insulator for 2-Position Block
44	120773	1	2-Position Green/Yellow Ground Block
45	120765	7	Large Insulator for 4-Position Terminal Block
46	120801	2	End Stops
47	120778	32	4-Position Gray Line Block
48	120779	3	4-Position Blue Neutral Block
49	120771	9	2-Position Gray Line Block
50	120805	10	4-Position Terminal Block Jumper
51	401024	4	Marking Tags
52	136109	1	2-amp 250v (fast acting) Fuse
53	136016	1	5-amp 250v (fast acting) Fuse

* Sold by the inch.



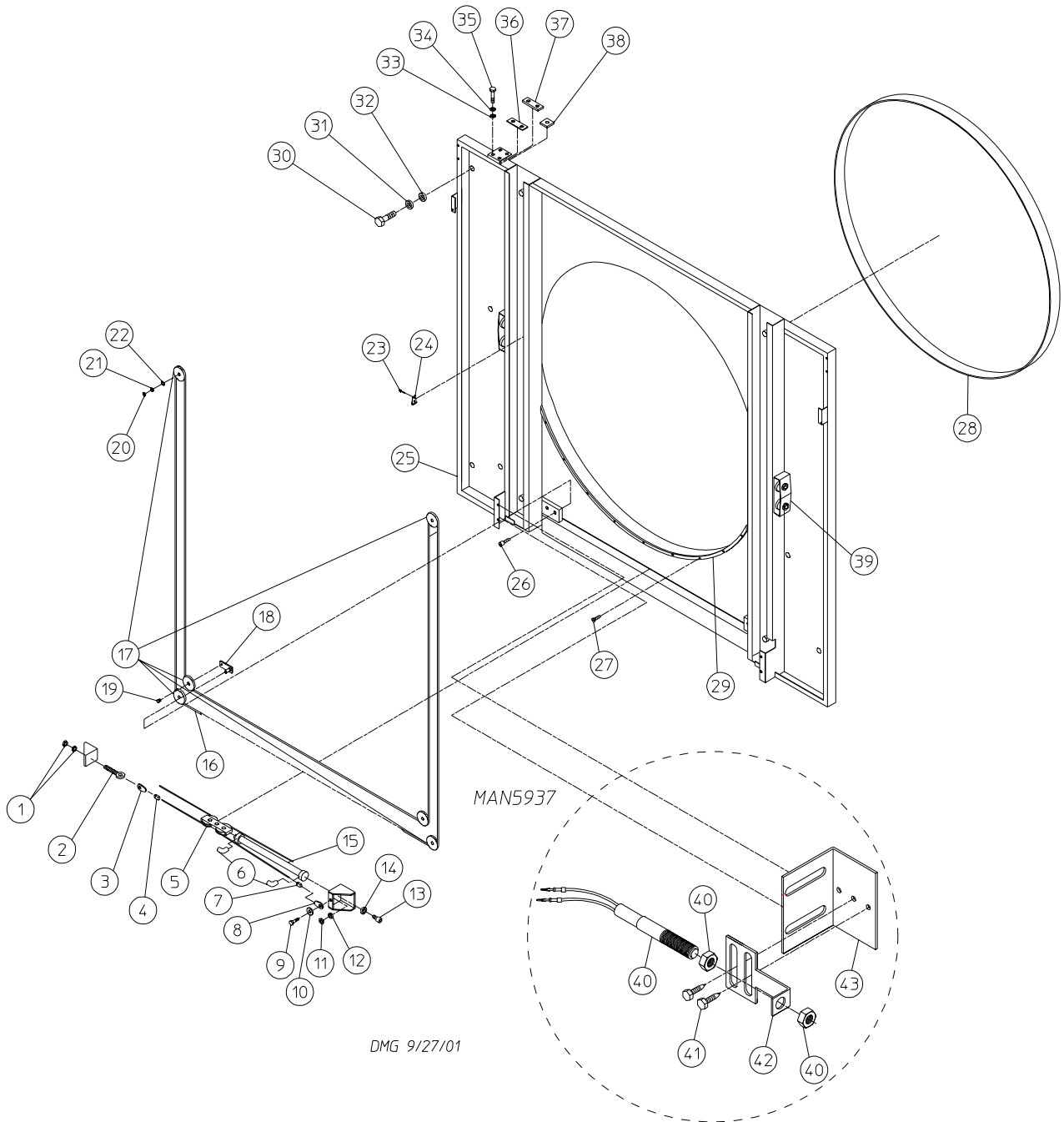
<u>Illus. No.</u>	<u>Part No.</u>	<u>Qty.</u>	<u>Description</u>
1	132440	1	2 HP Contactor
2	137029	1	Varistor
3	-----	1	Fan Contactor (refer to Main Power Junction Panel Assembly Chart on page 99)
4	132383	1	Auxiliary Contact Block
5	120727	2	Ground Terminal Block
6	120765	3	Standard End Stop
7	120768	*	35 x 15mm Din Rail
8	150300	8	#10-6 x 1/2 Hex Washer TEK Screw
9	132384	1	Auxiliary Contact Block
10	120758	2	Feed Thru Terminal Block
11	120750	1	Ground Terminal Block (for sprinkler option)
12	-----	1	CB-1 Thermal Magnetic Breaker (refer to Main Power Junction Panel Assembly Chart on page 99)
13	-----	1	CB-9 Thermal Magnetic Breaker (refer to Main Power Junction Panel Assembly Chart on page 99)
14	132389	1	Auxiliary Contact Block
15	-----	1	CB-4 Thermal Magnetic Breaker (refer to Main Power Junction Panel Assembly Chart on page 99)
16	120760	3	Terminal Block
17	114007	1	Danger High Voltage (HV) Label
18	112075	1	Ground Here Label
19	132485	1	Varistor

* Sold by the inch.

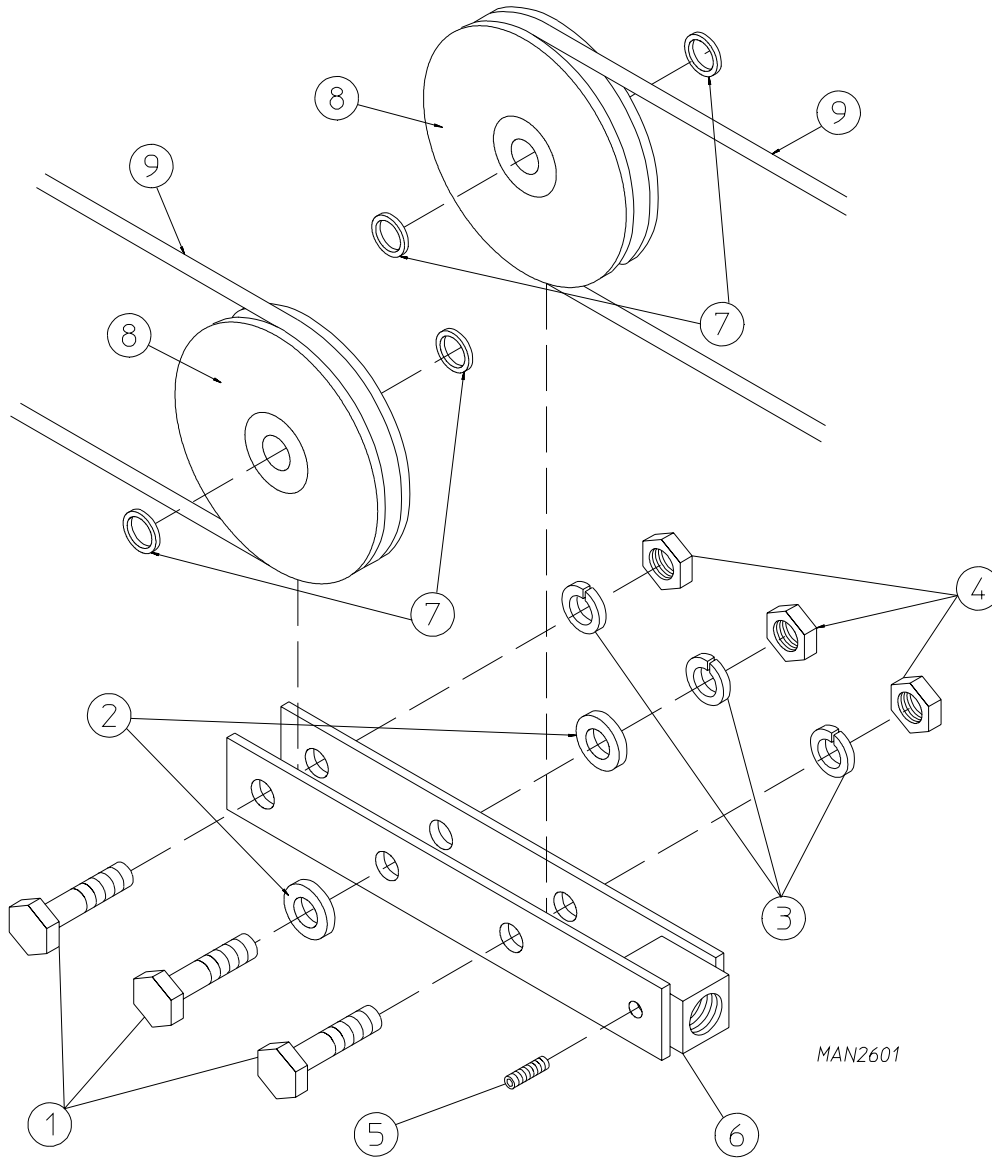


2 Door Models ONLY

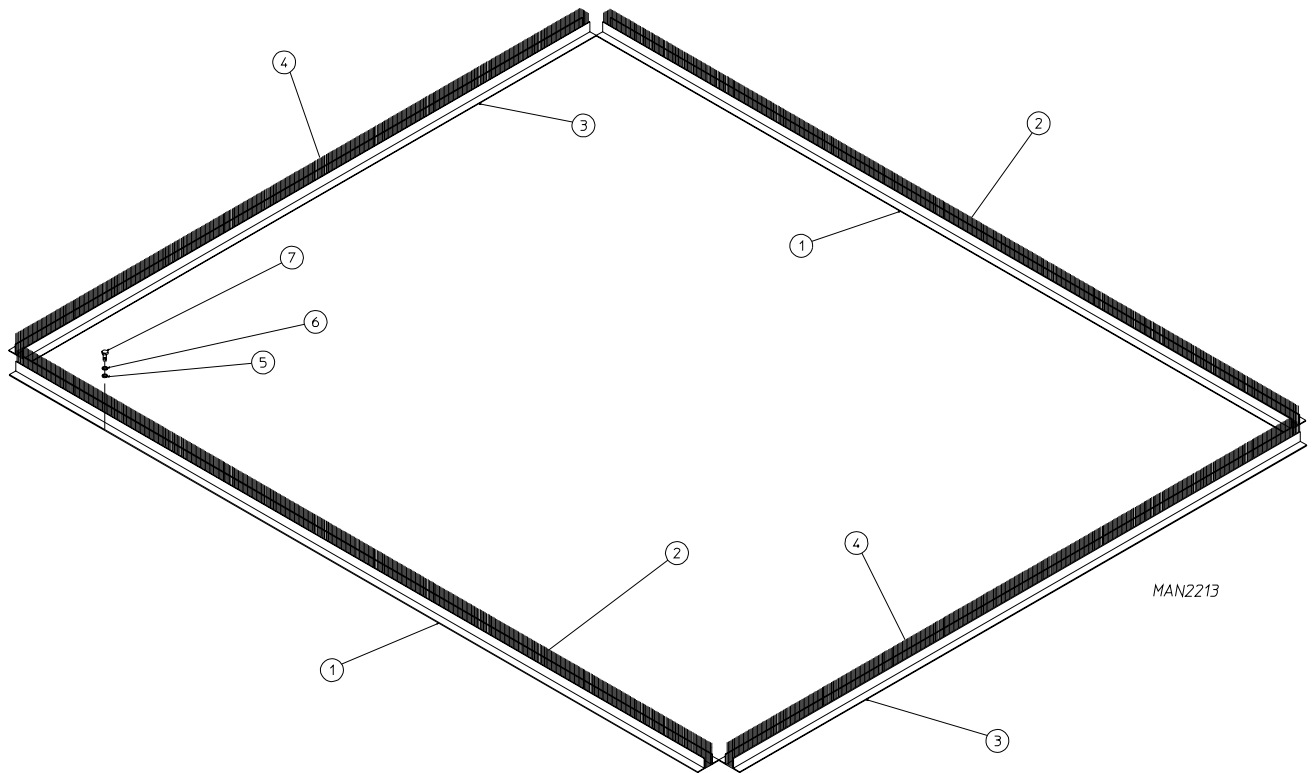
<u>Illus. No.</u>	<u>Part No.</u>	<u>Qty.</u>	<u>Description</u>
1	883350	1	Right Rear Control Door ONLY
2	-----	1	Right Rear Door Control Panel (refer to Rear Right Control Panel Assembly Chart on page 100)
3	122438	1	Load/Dry/Unload Nameplate
4	122361	1	3-Position Maintained Operator
5	123202	1	White Push Button Operator
6	122360	1	2-Position Maintained Operator
7	122413	1	Tilt Off/Tilt On Nameplate
8	123203	1	Black Push Button Operator
9	122416	1	Nameplate "Reverse"
10	122415	1	Nameplate "Forward"
11	122419	1	"EMERGENCY STOP" (E-Stop) Label
12	122351	1	"EMERGENCY STOP" (E-Stop) Operator
13	132394	1	Mounting Base with Normally Opened (N.O.) Contact Block
14	132386	1	Normally Opened (N.O.) Contact Block
15	132387	2	Normally Closed (N.C.) Contact Block
16	132394	1	Mounting Base with Normally Opened (N.O.) Contact Block
17	132396	1	Mounting Base with Normally Opened (N.O.) and Normally Closed (N.C.) Contact Block
18	132396	1	Mounting Base with Normally Opened (N.O.) and Normally Closed (N.C.) Contact Block
19	132395	1	Mounting Base with Normally Closed (N.C.) Contact Block
20	132387	1	Normally Closed (N.C.) Contact Block
21	152014	4	1/4-20 Wash Nut
22	121509	6	Tie Wrap Clips



<u>Illus. No.</u>	<u>Part No.</u>	<u>Qty.</u>	<u>Description</u>
1	152004	2	5/16-18 Hex Nut
2	170370	1	Turnbuckle
3	170373	1	Wire Rope Thimble
4	170371	1	Wire Rope Clamp
5	-----	1	Cylinder Clevis (refer to Cylinder Clevis Assembly on page 24)
6	143153	2	1/4" x 1/4" M.P.T. Elbow
7	170371	1	Wire Rope Clamp
8	170373	1	Wire Rope Thimble
9	150617	1	3/8-16 x 1" Hex Head Machine Bolt
10	153003	1	3/8" I.D. x 1-1/2" O.D. Fender Washer
11	152005	1	3/8-16 Hex Nut
12	153005	1	3/8" Lock Washer
13	150439	4	5/16-24 x 3/4" Socket Cap Screw
14	153002	4	5/16" Lock Washer
15	100554	1	2-1/2" Bore x 12-9/16" Door Piston
16	170372	1	Wire Rope (45 foot length)
17	101190	6	Cable Pulley
18	820510	2	Pulley Shaft Plate
19	331522	2	Bushing for Cable Pulley
20	152005	4	3/8-16 Hex Nut
21	153005	4	3/8" Lock Washer
22	331524	4	Plain Bearing for Cable Pulley
23	154200	2	5/32" Pop Rivet
24	331909	1	Load Door Tab
25	820880	1	Front Panel ONLY
26	150441	2	1/4-20 x 1-3/8" Flat Head Socket Cap Screw
27	150412	9	#10-16 x 3/4" Phillips Round Head Crimptite Screw
28	116009	1	200" x 1-3/8" x 3/8" Basket (tumbler) Felt ONLY
	881448	1	Basket (tumbler) Felt Replacement Kit
29	102385	1	Nylon Load Door Gasket
30	150617	8	3/8-16 x 1" Hex Head Bolt
31	153005	8	3/8" Lock Washer
32	153004	8	3/8" Flat Washer
33	153011	4	1/2" Flat Washer
34	153026	4	1/2" Lock Washer
35	150605	4	1/2-13 x 1-1/2" Tap Bolt
36	331789	4	Front Panel Hinge Top Shim
37	331786	2	Front Panel Hinge Top Spacer
38	820523	4	Bottom Hinge Spacer
39	820664	4	Basket (tumbler) Retaining Wheel Mount Assembly
40	882633	1	Magnetic Reed Switch
41	150309	2	#10-16 x 1/2" Hex Washer TEK Screw
42	367183	1	Rotational Sensor Bracket
43	367184	1	Switch Bracket

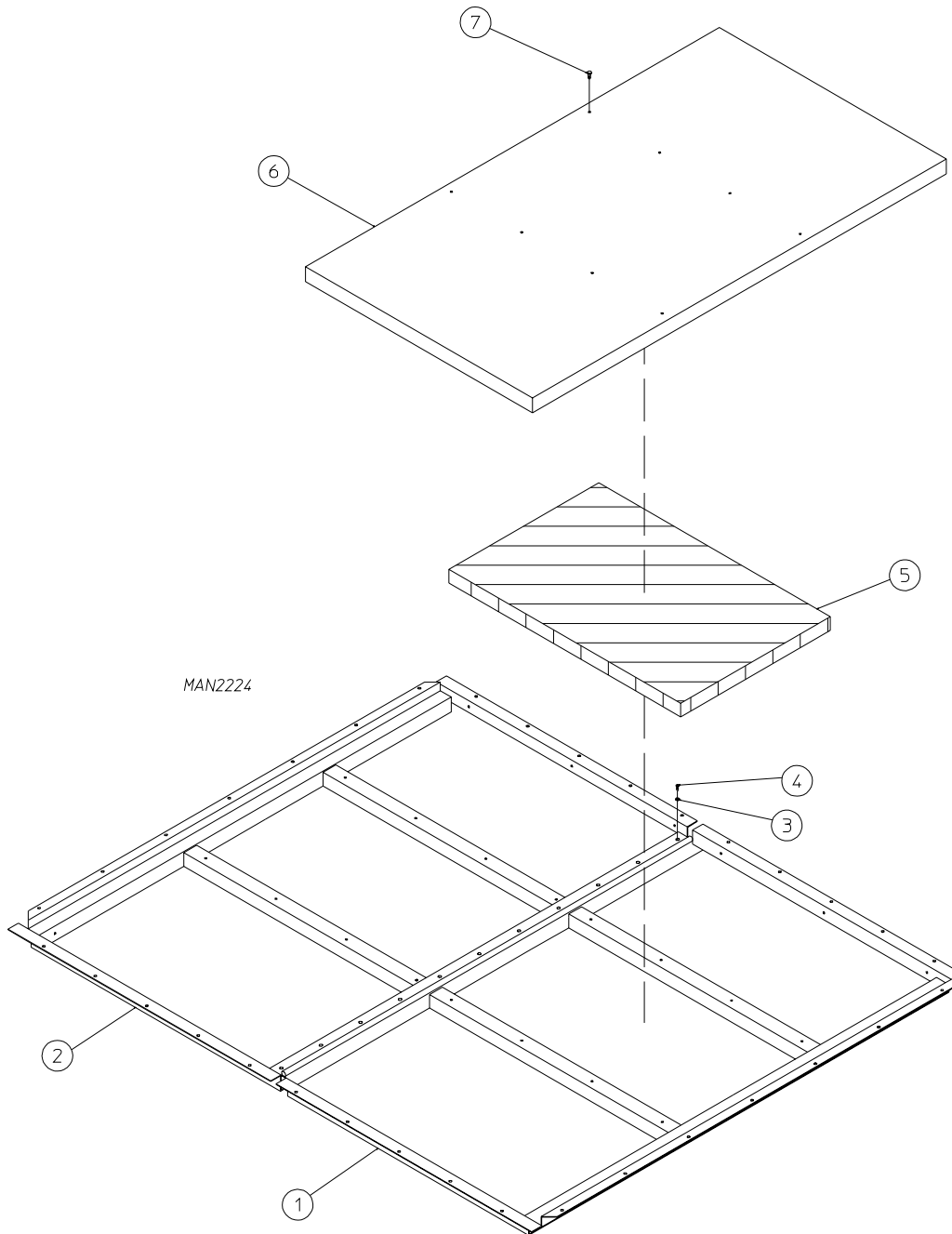


<u>Illus. No.</u>	<u>Part No.</u>	<u>Qty.</u>	<u>Description</u>
1	154313	3	12 x 44 mm Hex Head Cap Screw
2	153011	2	9/16" I.D. x 1-3/8" O.D. Flat Washer
3	153026	3	1/2" Lock Washer
4	152040	3	12 mm Hex Nut
5	154304	1	1/4-20 x 3/8" Knurled Socket Setscrew
6	820630	1	Cylinder Clevis Assembly Complete (includes illus. nos. 1 through 8)
	820517	1	Cylinder Clevis ONLY
7	331524	4	Plain Bearing for Cable Pulley
8	101190	2	4" Cable Pulley
9	-----	1	Wire Rope (refer to Front Load Door Panel Assembly on page 22 and page 23)



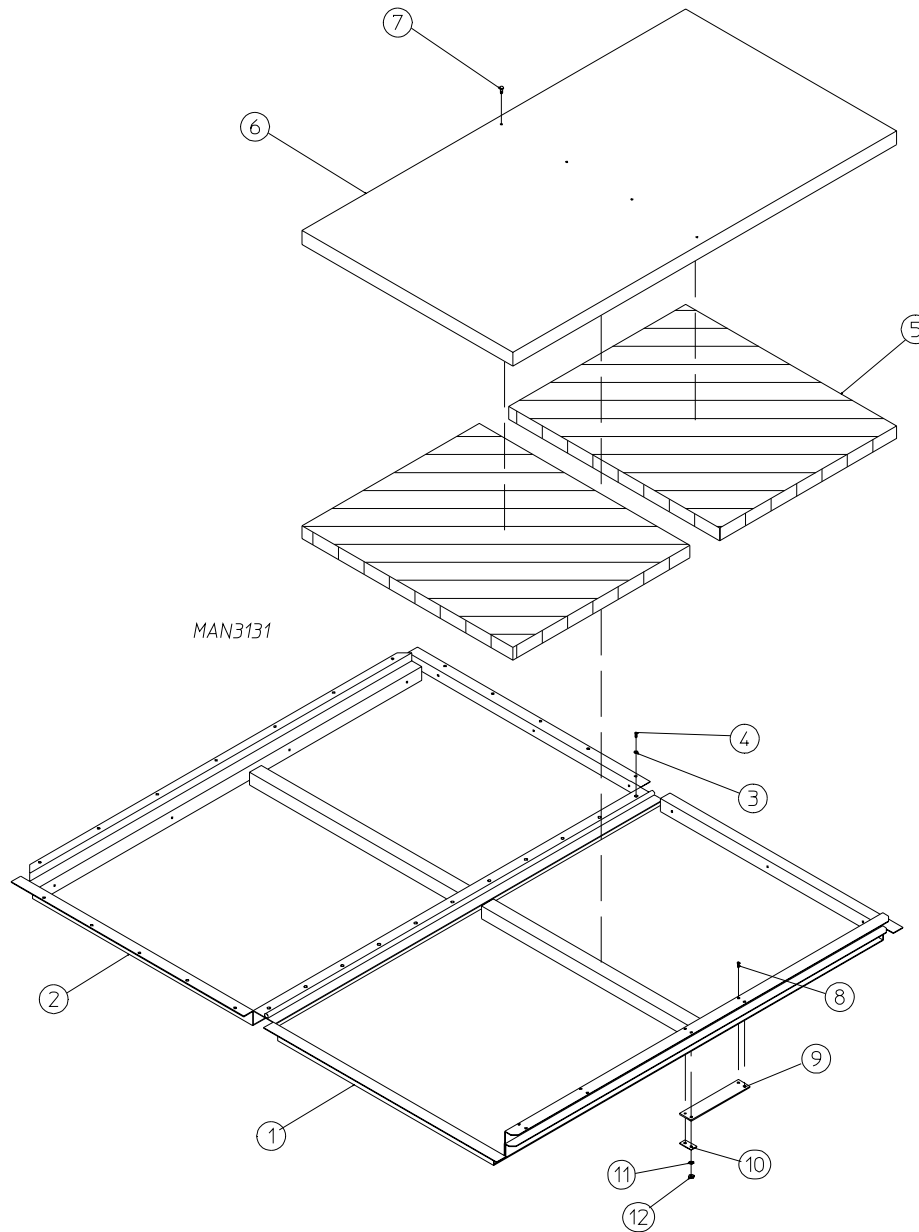
<u>Illus. No.</u>	<u>Part No.</u>	<u>Qty.</u>	<u>Description</u>
1	170177	2	76-9/16" Brush Holder
2	170178	2	76-9/16" x 2-1/8" Wire Brush
3	170184	2	51-7/16" Brush Holder
4	170179	2	51-7/16" x 2-1/8" Wire Brush
5	153018	52	1/4" Flat Washer
6	153007	52	1/4" Lock Washer
7	150510	52	1/4-20 x 3/4" Hex Head Machine Bolt

For Gas Models ONLY



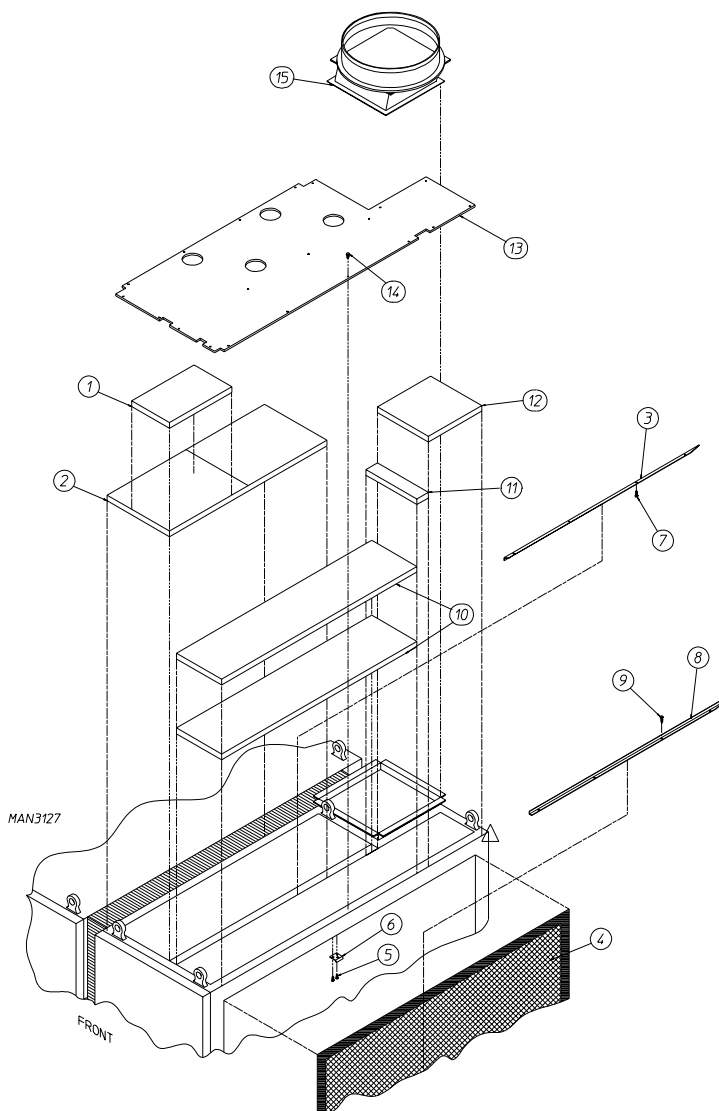
<u>Illus. No.</u>	<u>Part No.</u>	<u>Qty.</u>	<u>Description</u>
1	846769	1	Top Right Access Door Assembly
2	846771	1	Top Left Access Door Assembly
3	153007	11	1/4" Lock Washer
4	150512	11	1/4-20 x 1/2" Hex Head Machine Screw
5	116765	6	Top Access Door Insulation
6	346516	2	Top Access Door Cover
7	150301	16	#8-18 x 7/16" Phillips Pan Head TEK Screw

For Steam Models ONLY



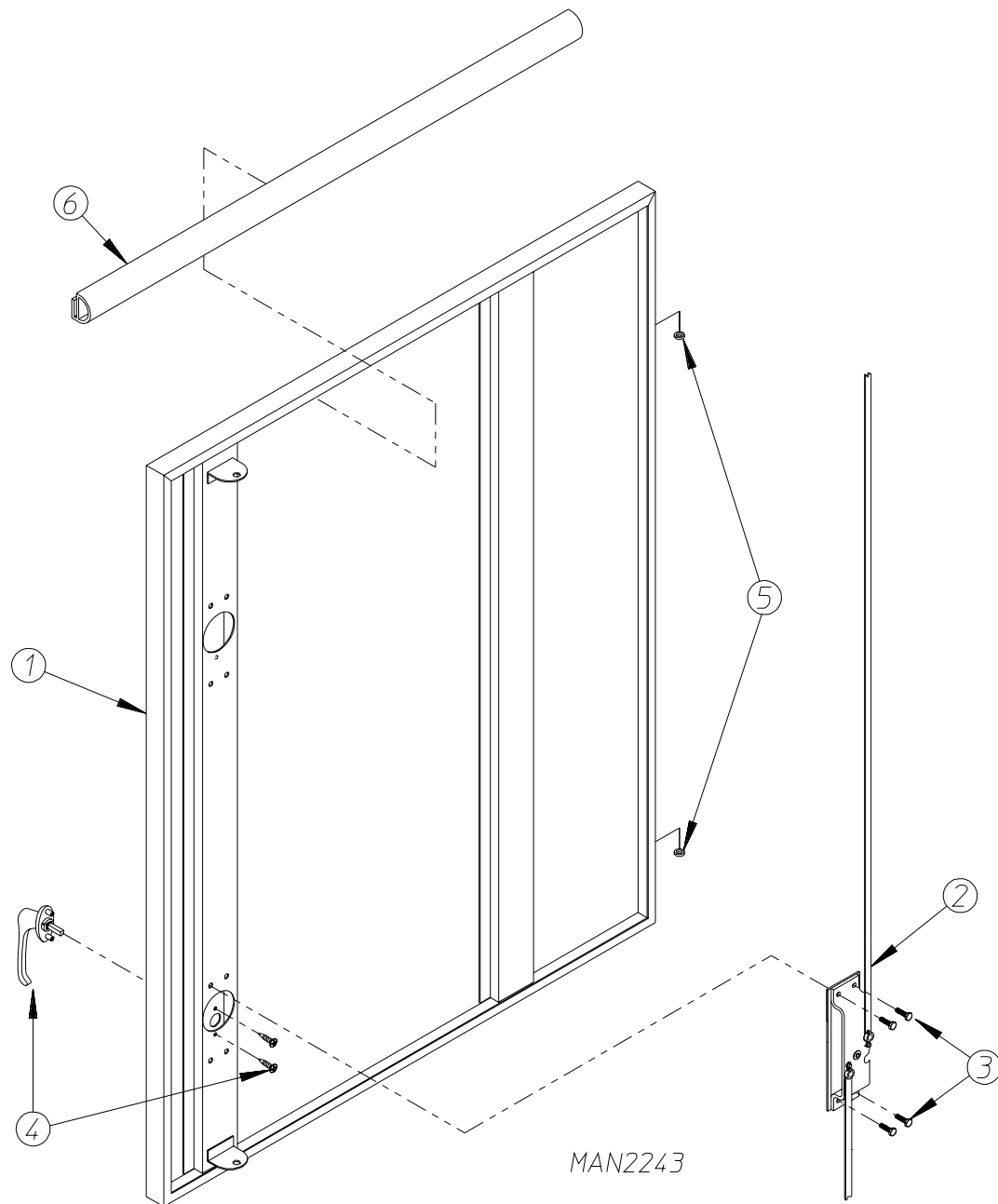
<u>Illus. No.</u>	<u>Part No.</u>	<u>Qty.</u>	<u>Description</u>
1	846821	1	Top Right Panel Assembly
2	846771	1	Top Left Panel Assembly
3	153007	11	1/4" Lock Washer
4	150512	11	1/4-20 x 1/2" Hex Head Machine Bolt
5	116765	6	Top Access Door Insulation
6	346516	2	Top Door Panel
7	150301	8	#8-18 x 7/16" Phillips Pan Head TEK Screw
8	150103	4	#8-32 x 3/4" Phillips Round Head Machine Screw
9	117705	1	Sliding Pad
10	331998	1	Sliding Pad Strip
11	153012	4	#8 Star Washer
12	152001	4	#8-32 Hex Nut

For Steam Models ONLY



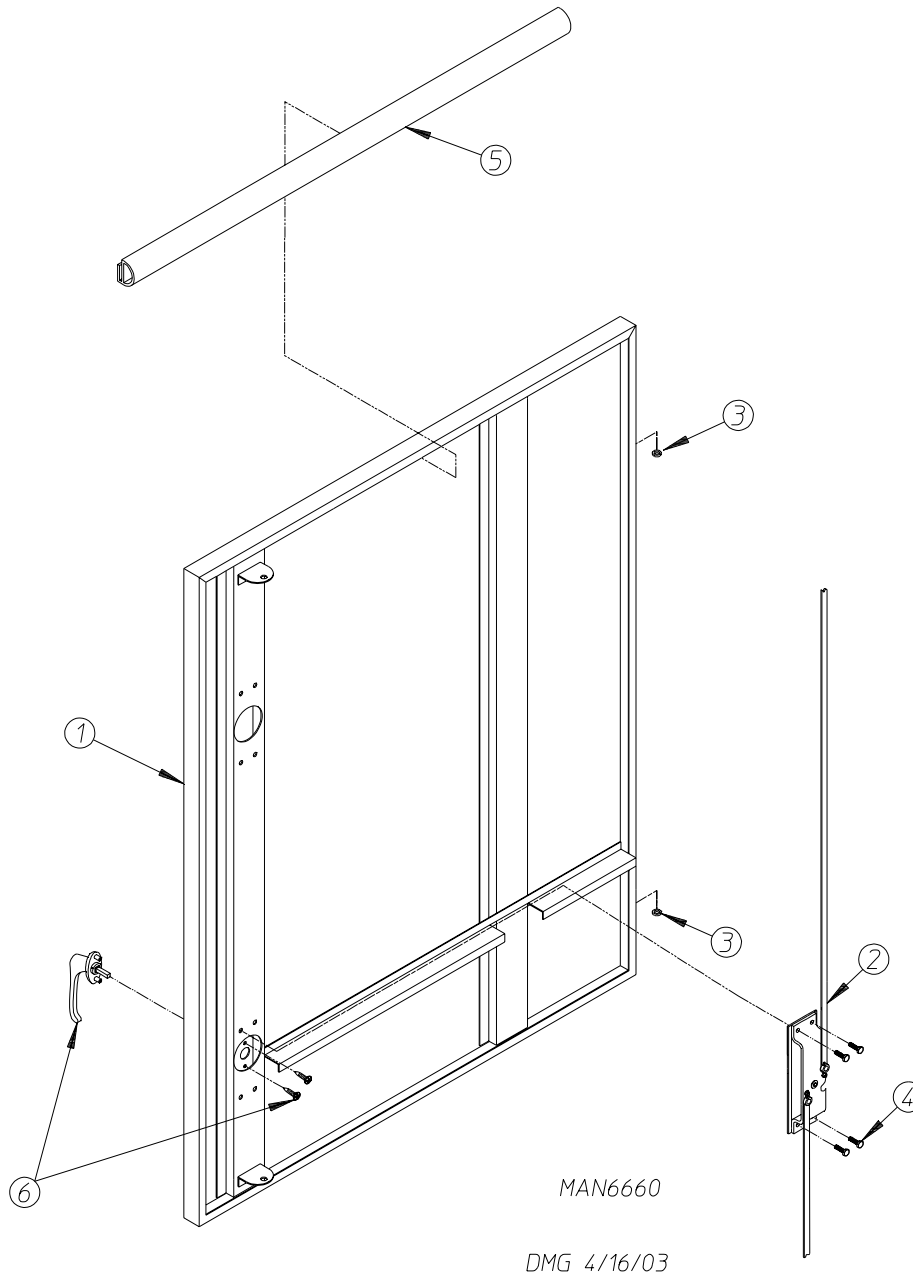
<u>Illus. No.</u>	<u>Part No.</u>	<u>Qty.</u>	<u>Description</u>
1	116771	1	19" x 48" Steam Coil Top Insulation
2	116770	2	11-1/2" x 19" Next To Steam Coil Insulation
3	346587	1	Upper Angle Lint Screen Support
4	846813	1	Steam Coil Screen
5	150522	2	1/4-20 x 1/2" Hex Head TEK Screw
6	346612	1	Door Catch
7	150522	4	1/4-20 x 1/2" Hex Head TEK Screw
8	346586	1	Lower Angle Lint Screen Support
9	150522	4	1/4-20 x 1/2" Hex Head TEK Screw
10	116767	2	13-3/4" x 59-1/2" Center Console Insulation
11	116769	1	3-1/2" x 15-1/2" Small Steam Box Insulation
12	116768	2	15-1/2" x 16-1/4" Steam Box Insulation
13	346665	1	Steam Console Top
14	150522	17	1/4-20 x 1/2" Hex Head TEK Screw
15	846796	1	Transition Piece

For Gas Models ONLY



Illus. No.	Part No.	Qty.	Description
1	846783	1	Top Console Left Door Assembly Complete (includes illus. nos. 1 through 6)
	881363	1	Top Console Left Door Assembly with Gasket ONLY (includes illus. nos. 1 and 6)
2	160205	1	2-Point Dead Bolt Latch
3	150512	4	1/4-20 x 1/2" Hex Head Machine Bolt
4	170217	1	Door Handle
5	153068	2	Brass Washer
6	102312	*	Gray Extruded Gasket

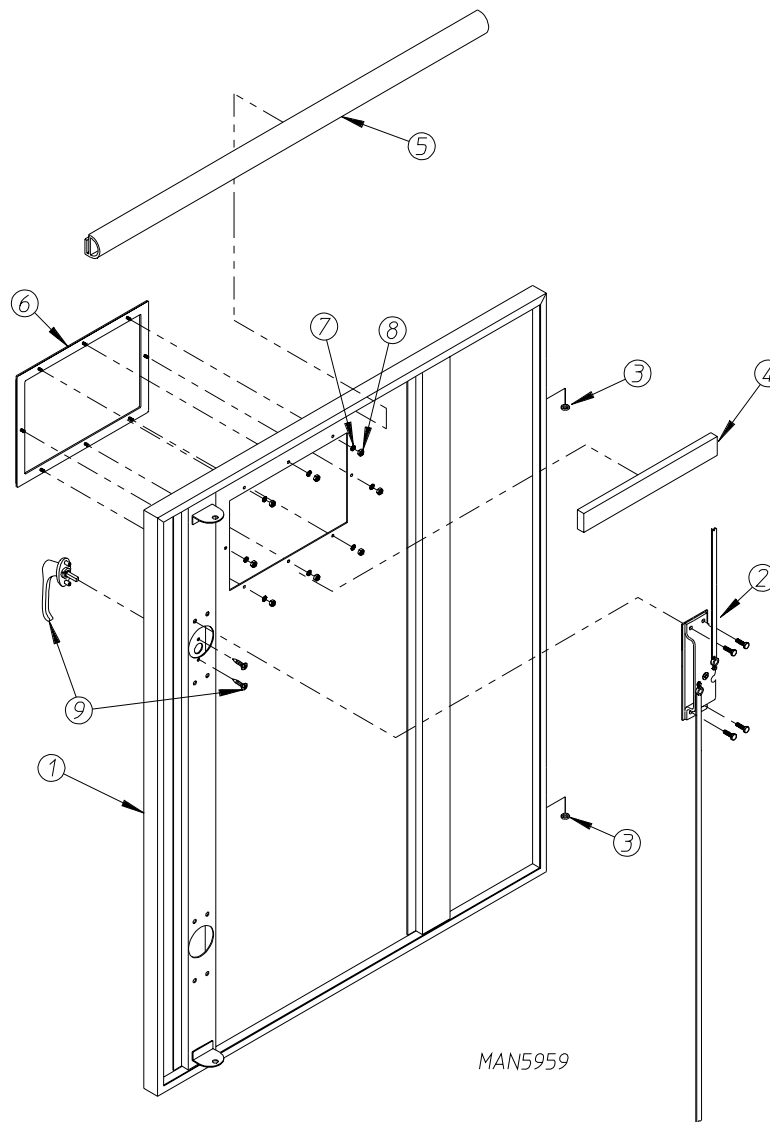
* Sold by the foot



Illus. No.	Part No.	Qty.	Description
1	846828	1	Top Console Left Door Assembly Complete (includes illus. nos. 1 through 6)
	881489	1	Top Console Left Door Assembly with Gasket ONLY (includes illus. nos. 1 and 6)
2	160205	1	2-Point Dead Bolt Latch
3	153068	2	Brass Washer
4	150512	4	1/4-20 x 1/2" Hex Head Machine Bolt
5	102312	*	Gray Extruded Gasket
6	170217	1	Door Handle

* Sold by the foot.

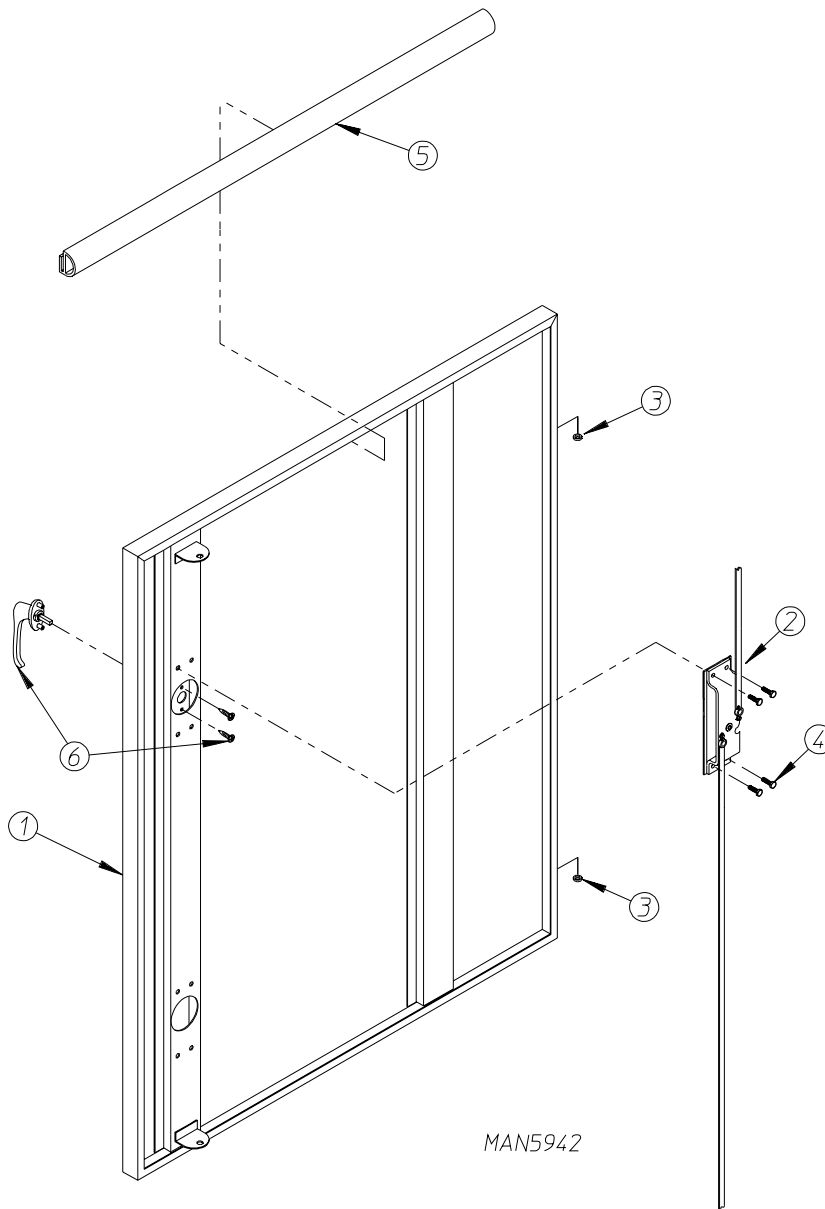
For Gas Models ONLY



DMG 9/27/01

<u>Illus. No.</u>	<u>Part No.</u>	<u>Qty.</u>	<u>Description</u>
1	846779	1	Lower Console Left Door Assembly Complete (includes illus. nos. 1 through 9)
	881365	1	Lower Console Left Door Assembly with Gasket ONLY (includes illus. nos. 1 and 5)
2	160205	1	2-Point Dead Bolt Latch
3	153068	2	Brass Washer
4	102350	1	68-1/2" Door Gasket
5	102312	*	Gray Extruded Gasket
6	846884	2	Combustion Blower Trim
7	153009	10	Star Washer
8	152008	10	#10-32 Hex Nut
9	170217	1	Door Handle

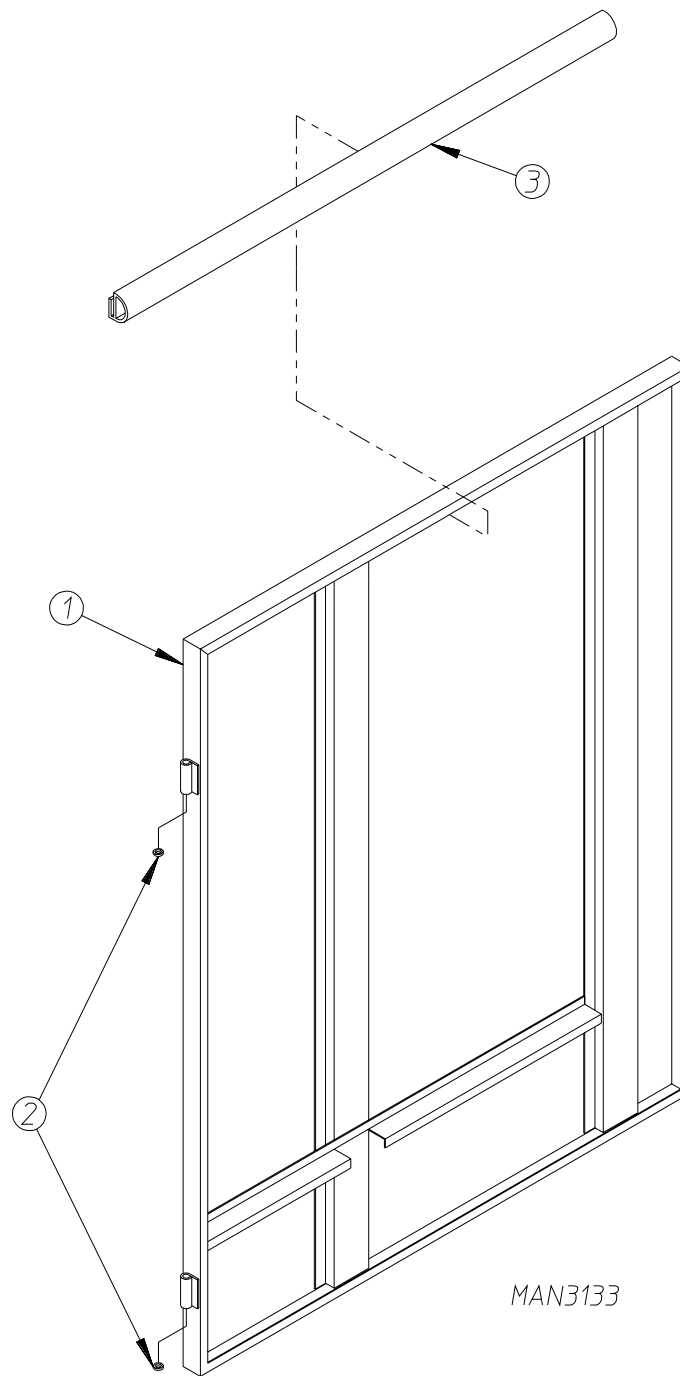
* Sold by the foot.



<u>Illus. No.</u>	<u>Part No.</u>	<u>Qty.</u>	<u>Description</u>
1	846824	1	Lower Console Left Door Assembly Complete (includes illus. nos. 1 through 6)
	881490	1	Lower Console Left Door Assembly with Gasket ONLY (includes illus. nos. 1 and 5)
2	160205	1	2-Point Dead Bolt Latch
3	153068	2	Brass Washer
4	150512	4	1/4-20 x 1/2" Hex Head Machine Bolt
5	102312	*	Gray Extruded Gasket
6	152018	1	Door Handle

* Sold by the foot.

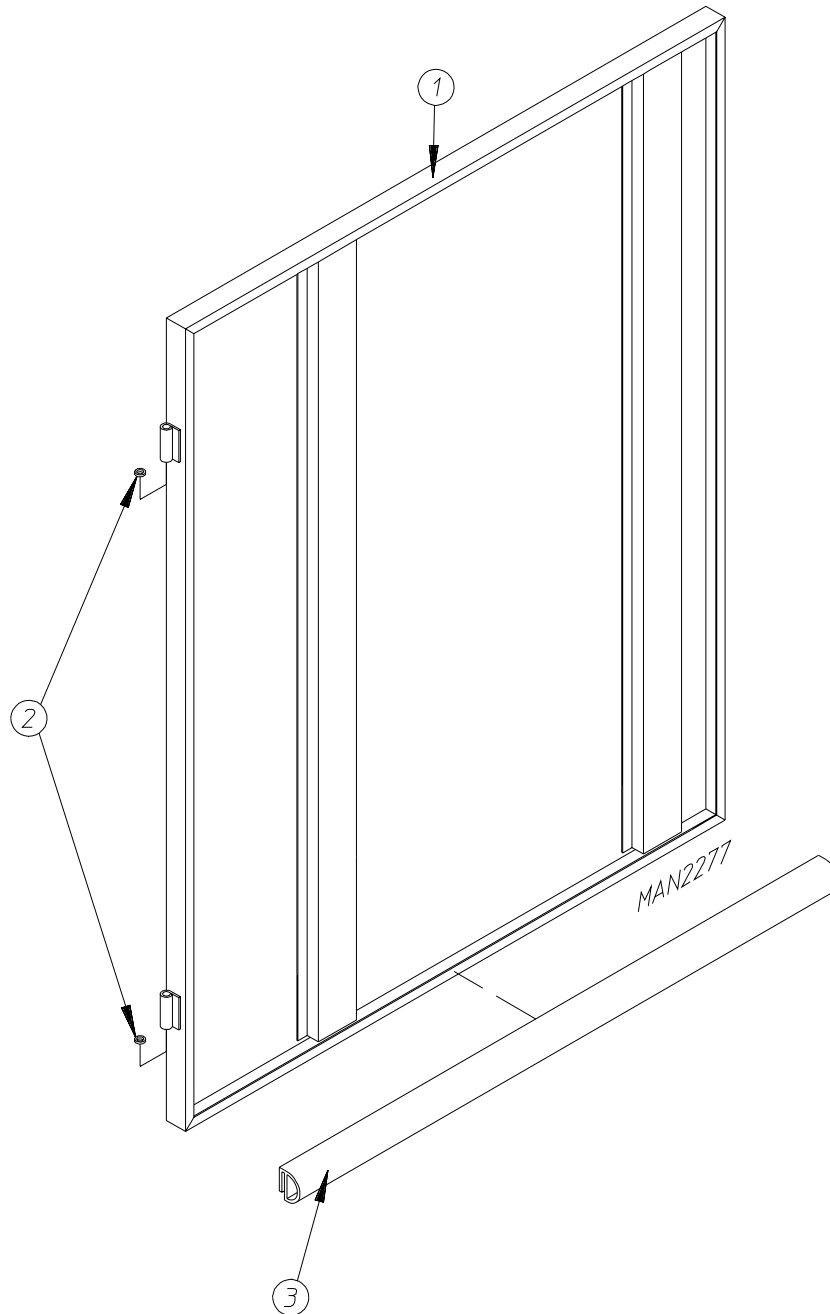
For Steam Models ONLY



<u>Illus. No.</u>	<u>Part No.</u>	<u>Qty.</u>	<u>Description</u>
1	846830	1	Top Console Right Door Assembly Complete (includes illus. nos. 1 through 3)
	881488	1	Top Console Right Door Assembly with Gasket ONLY (includes illus. nos. 1 and 3)
2	153068	2	Brass Washer
3	102312	*	Gray Extruded Gasket

* Sold by the foot.

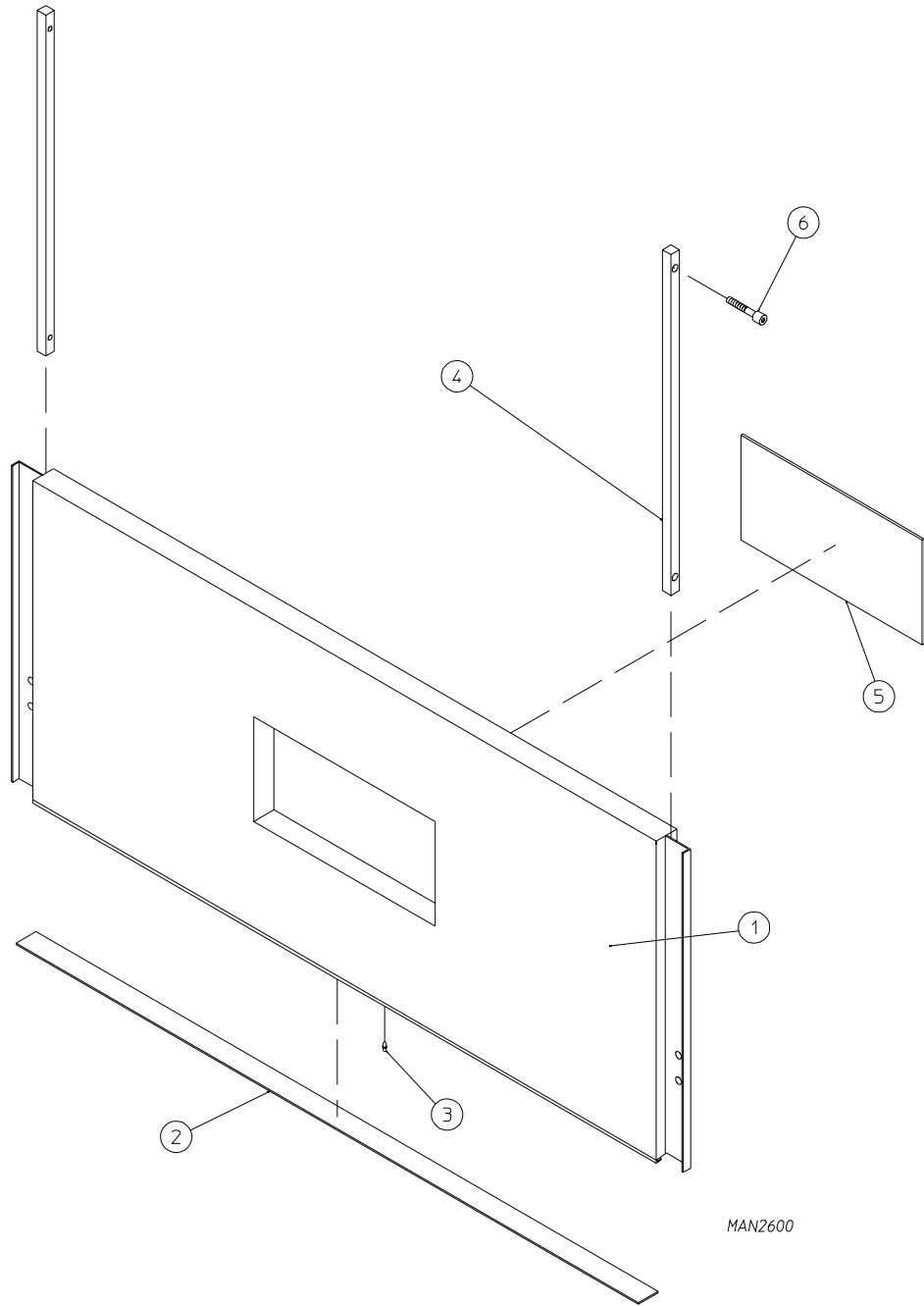
For Gas Models ONLY



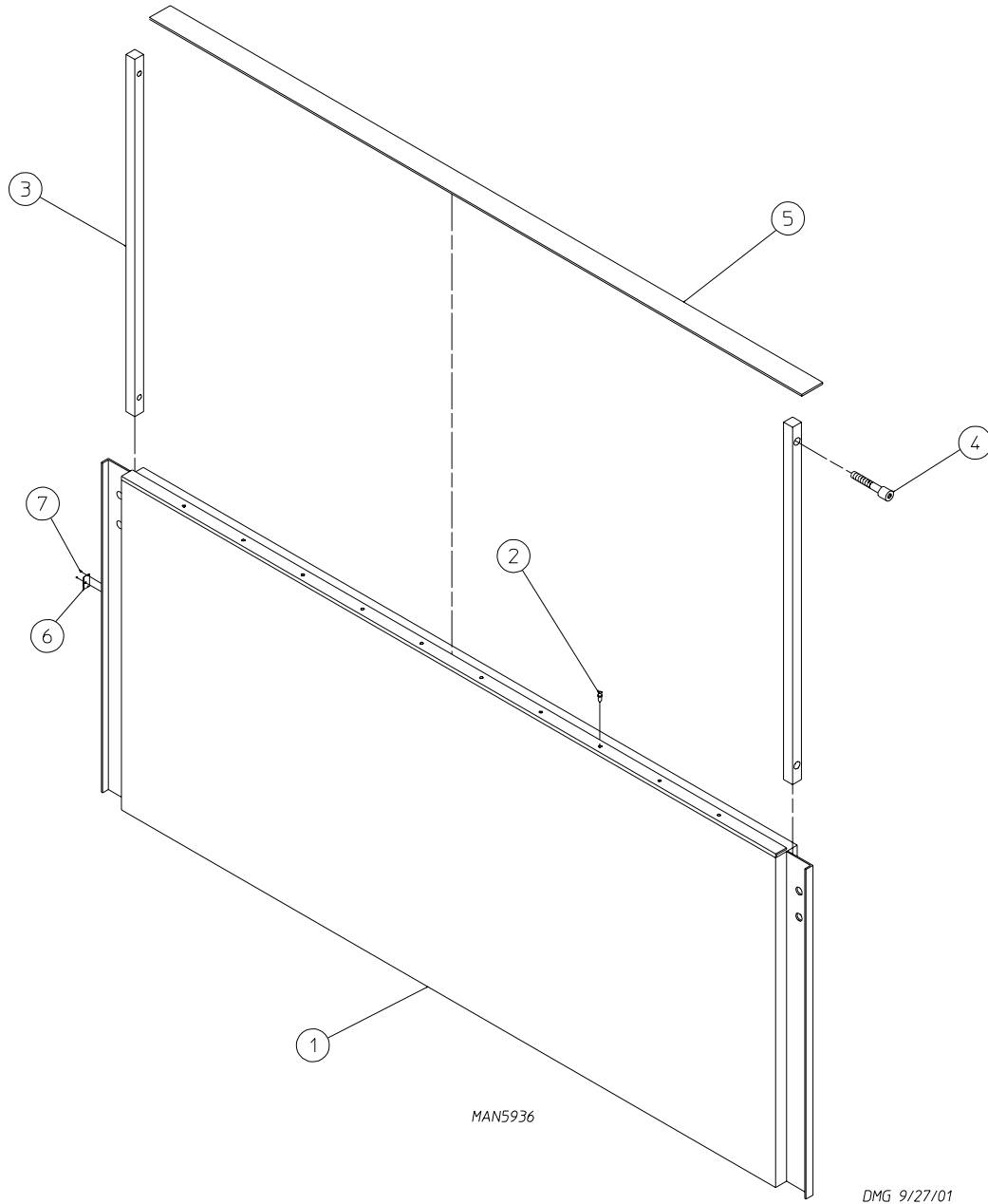
NOTE: Duplicate **ALL** components for *Heat Console Right Hand Door Assembly* – Not Illustrated.

<u>Illus. No.</u>	<u>Part No.</u>	<u>Qty.</u>	<u>Description</u>
1	846781	1	Lower Console Right Door Assembly (includes illus. nos. 1 through 3)
	881364	1	Lower Console Right Door Assembly with Gasket ONLY (includes illus. nos. 1 and 3 Only)
2	153068	2	Brass Hinge Washer
3	102312	*	Gray Silicone Extruded Gasket

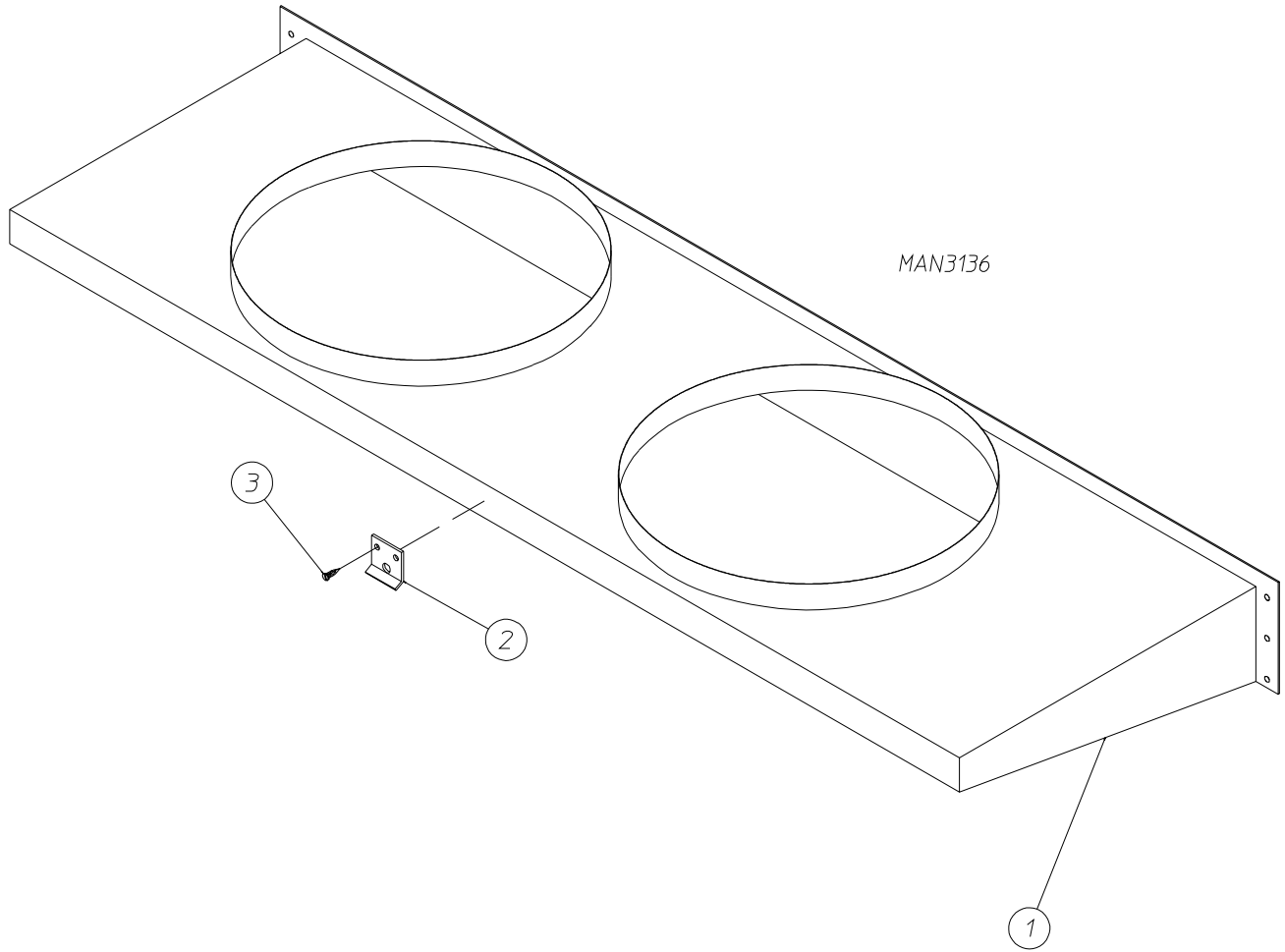
* Sold by the foot.



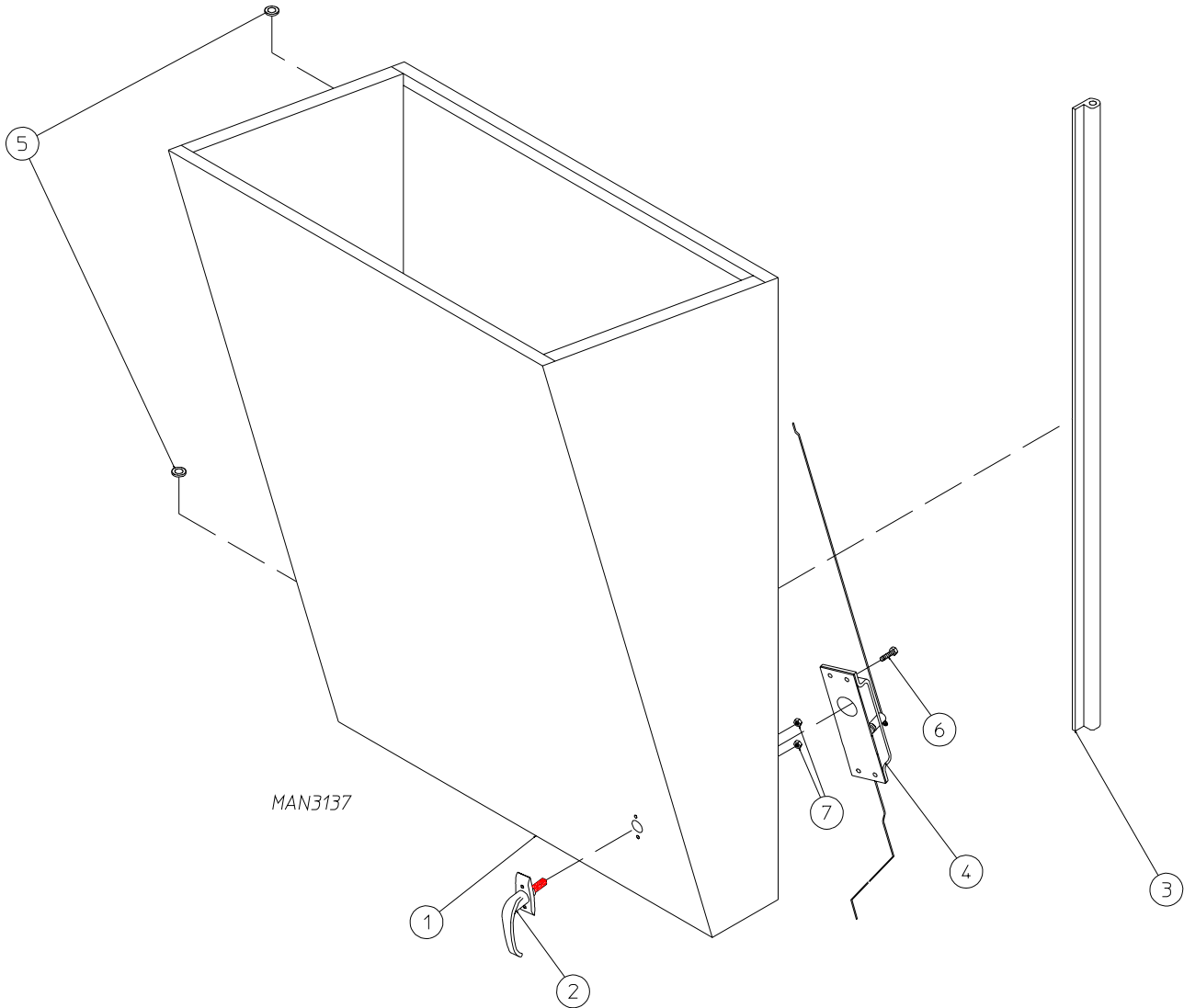
<u>Illus. No.</u>	<u>Part No.</u>	<u>Qty.</u>	<u>Description</u>
1	820882	1	Top Load Door Assembly Complete (includes illus. nos. 1 through 6)
	820881	1	Top Load Door ONLY
2	116008	1	1-3/4" x 1/8" x 55" Load Door Felt
3	154200	10	5/32" Pop Rivet
4	331594	2	Brass Door Runner
5	102215	1	Door Window
6	150440	4	5/16-18 x 1" Socket Cap Screw
-	170730	1	Silicone Adhesive (10.3 oz. cartridge)



<u>Illus. No.</u>	<u>Part No.</u>	<u>Qty.</u>	<u>Description</u>
1	820884	1	Bottom Load Door Assembly Complete (includes illus. nos. 1 through 5)
	820883	1	Bottom Load Door ONLY
2	154200	10	5/32" Pop Rivet
3	331594	2	Brass Door Runner
4	150440	4	5/16-18 x 1" Socket Cap Screw
5	116008	1	1-3/4" x 1/8" x 55" Load Door Felt
-	170730	1	Silicone Adhesive (10.3 oz. cartridge)
6	102102	1	Door Magnet
7	154200	1	5/32" Pop Rivet

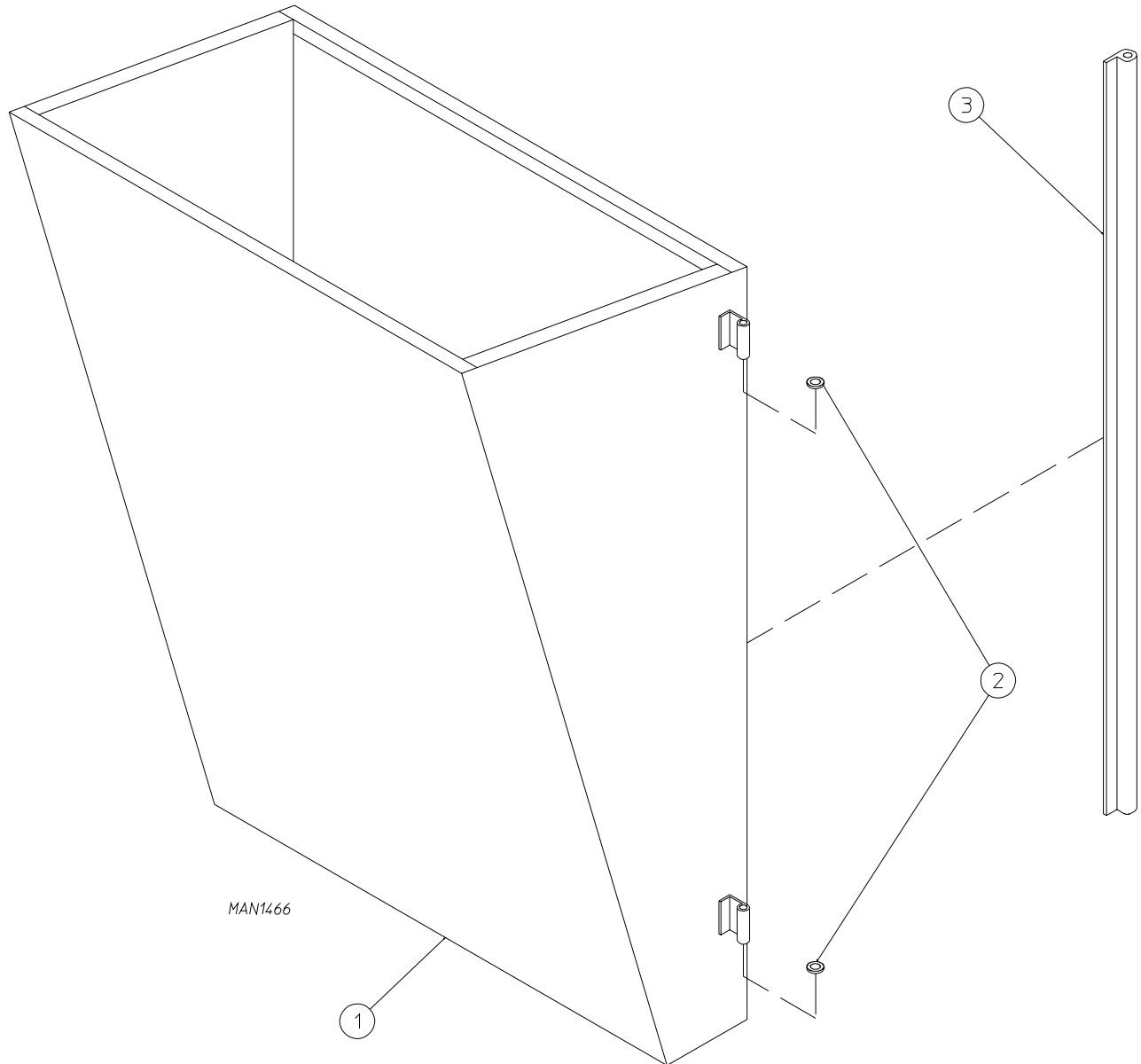


<u>Illus. No.</u>	<u>Part No.</u>	<u>Qty.</u>	<u>Description</u>
1	846838	1	Inlet Air Adaptor Assembly
2	346612	1	Door Catch
3	150522	3	1/4-20 x 1/2" Hex Head TEK Screw
-	346631	1	Base Side Cover – Not Illustrated



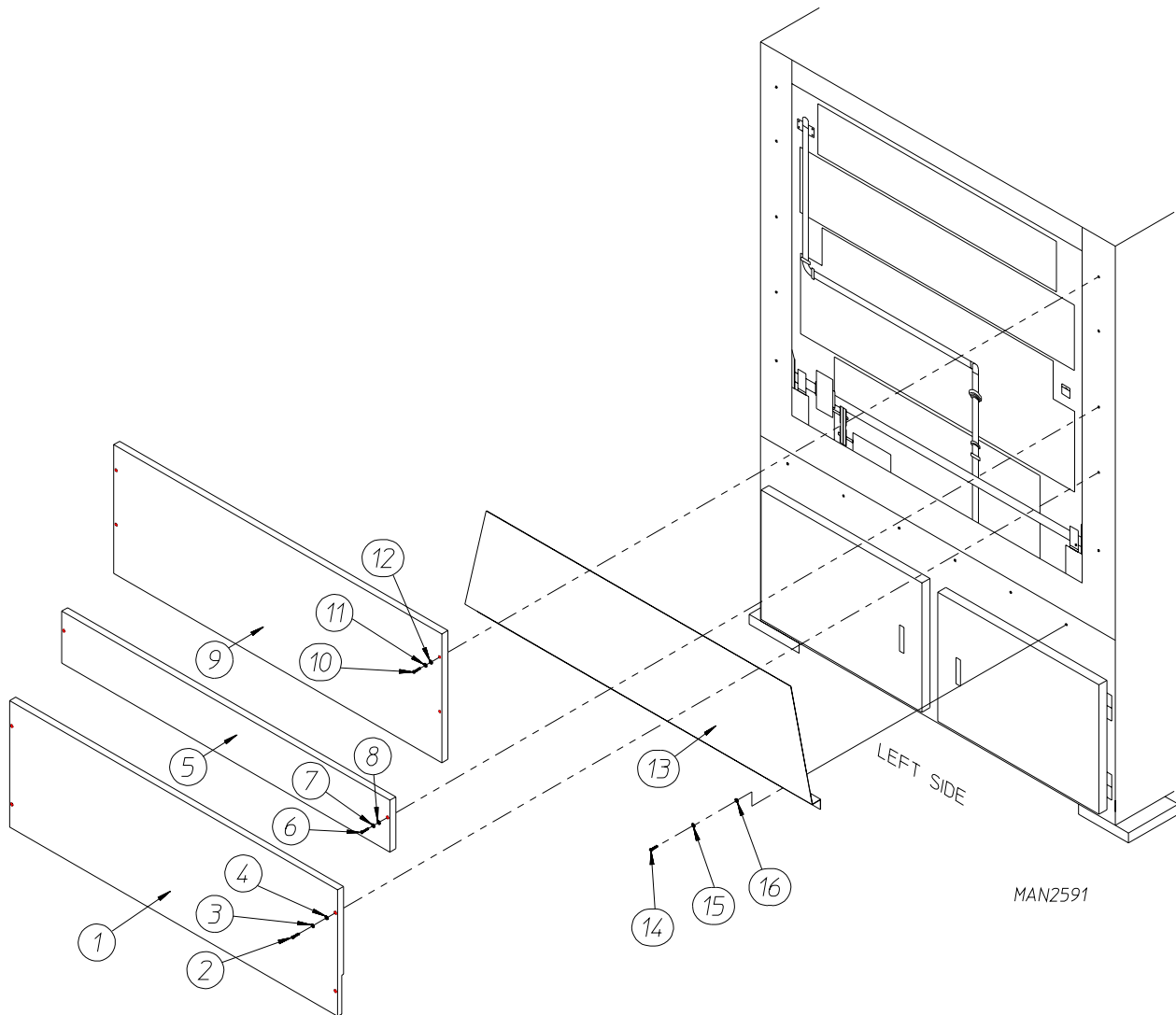
<u>Illus. No.</u>	<u>Part No.</u>	<u>Qty.</u>	<u>Description</u>
1	846837	1	Left Door Assembly
2	170217	1	Door Handle
3	102315	*	Silicone Rubber Extruded Gasket
	170730	1	Silicone Adhesive (10.3 oz. cartridge)
4	160205	1	Door Latch
5	153068	2	Brass Washer
6	150512	4	1/4-20 x 1/2" Hex Head Machine Bolt
7	152018	2	1/4-28 Hex Nut

* Sold by the foot.

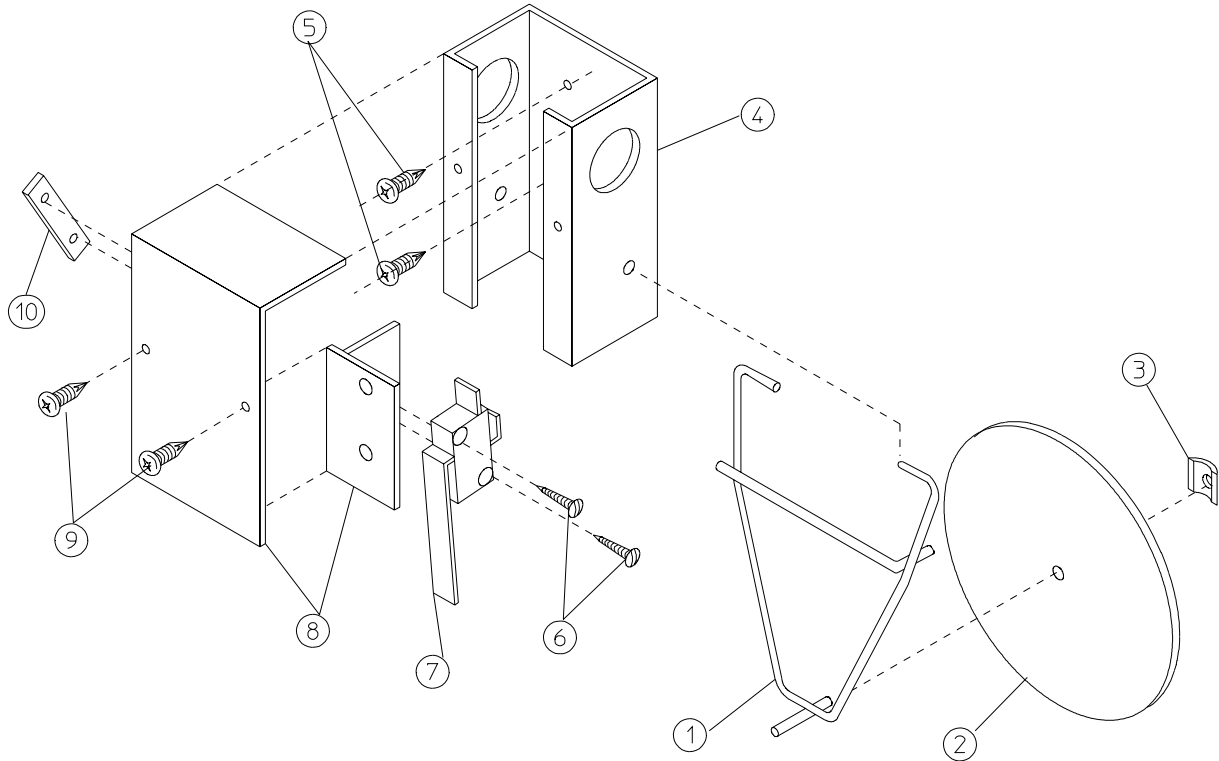


<u>Illus. No.</u>	<u>Part No.</u>	<u>Qty.</u>	<u>Description</u>
1	846841	1	Right Door Assembly
2	153068	2	Brass Washer
3	102315	*	Silicone Rubber Extruded Gasket
	170730	1	Silicone Adhesive (10.3 oz. cartridge)

* Sold by the foot.



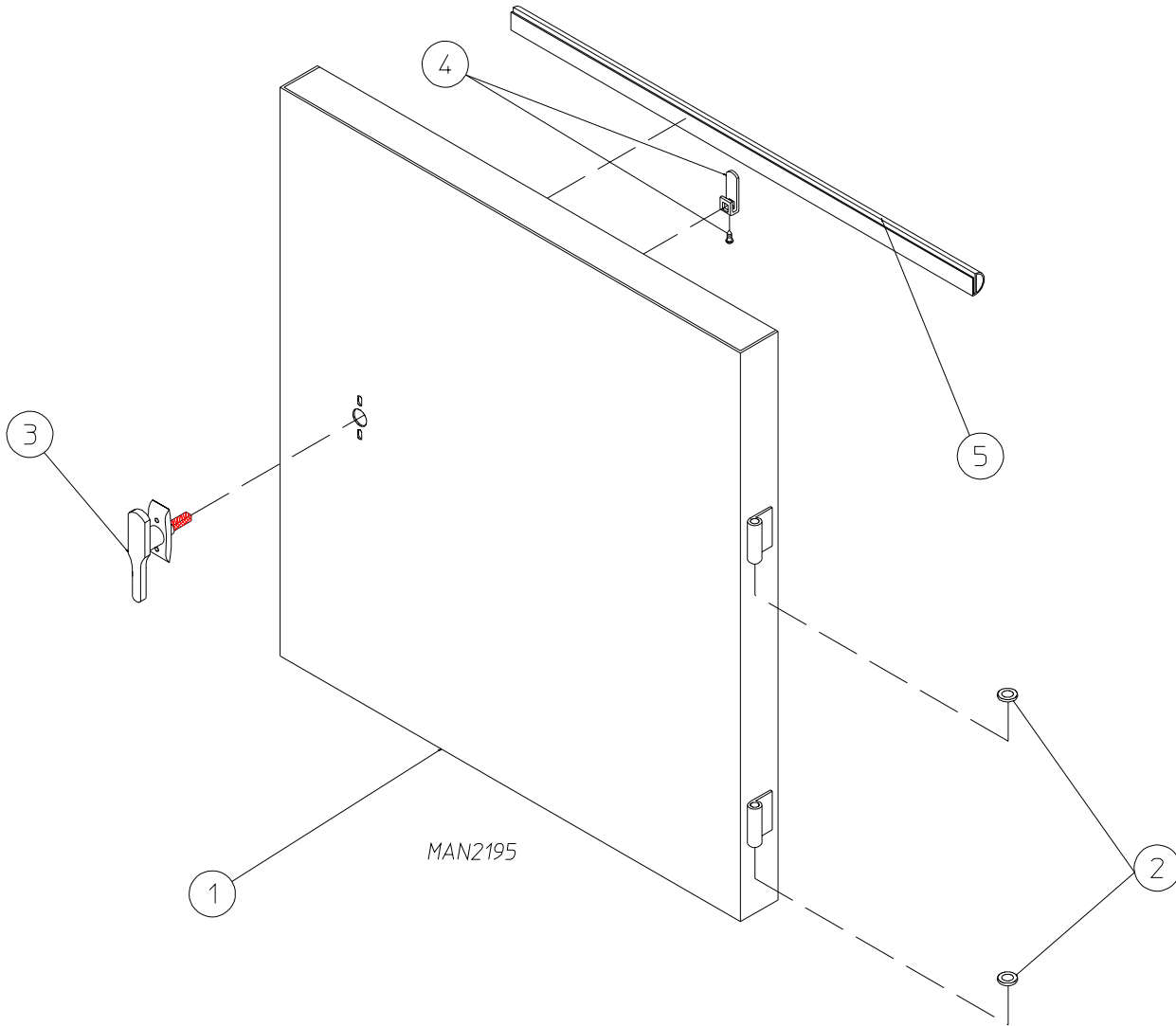
<u>Illus. No.</u>	<u>Part No.</u>	<u>Qty.</u>	<u>Description</u>
1	346522	1	Lower Left Side Safety Panel
2	150514	4	5/16-18 x 2-1/4" Hex Head Bolt
3	153001	4	5/16" Flat Washer
4	153002	4	5/16" Lock Washer
5	846847	1	Middle Left Side Safety Panel
6	150514	2	5/16-18 x 2-1/4" Hex Head Bolt
7	153001	2	5/16" Flat Washer
8	153002	2	5/16" Lock Washer
9	846848	1	Upper Left Side Safety Panel
10	150514	4	5/16-18 x 2-1/4" Hex Head Bolt
11	153001	4	5/16" Flat Washer
12	153002	4	5/16" Lock Washer
13	346521	1	Basket (tumbler) Base Tilt Safety Panel
14	150501	6	5/16-18 x 3/4" Hex Head Tap Bolt
15	153001	6	5/16" Flat Washer
16	153002	6	5/16" Lock Washer



MAN0440

<u>Illus. No.</u>	<u>Part No.</u>	<u>Qty.</u>	<u>Description</u>
1	105500	1	Sail Switch Actuator Rod
2	332689	1	Sail Switch Damper (flat)
3	154002	1	1/8" Push On Fastener
4	802800	1	Sail Switch Box with Cover and Bracket ONLY (includes illus. nos. 4 and 8)
	881376	1	Sail Switch Box Assembly Complete (includes illus. nos. 1 through 4 and 6 through 10)
5	150300	2	#10-16 x 1/2" Hex Washer TEK Screw
6	150303	2	#4 x 3/4" Pan Head "A" Machine Screw
7	122404	1	Sail Switch ONLY
8	802799	1	Sail Switch Box Cover and Bracket ONLY
9	150415	2	#10-16 x 1/2" Phillips Round Head Crimpite Screw
10	154004	1	Twin Speed Nut

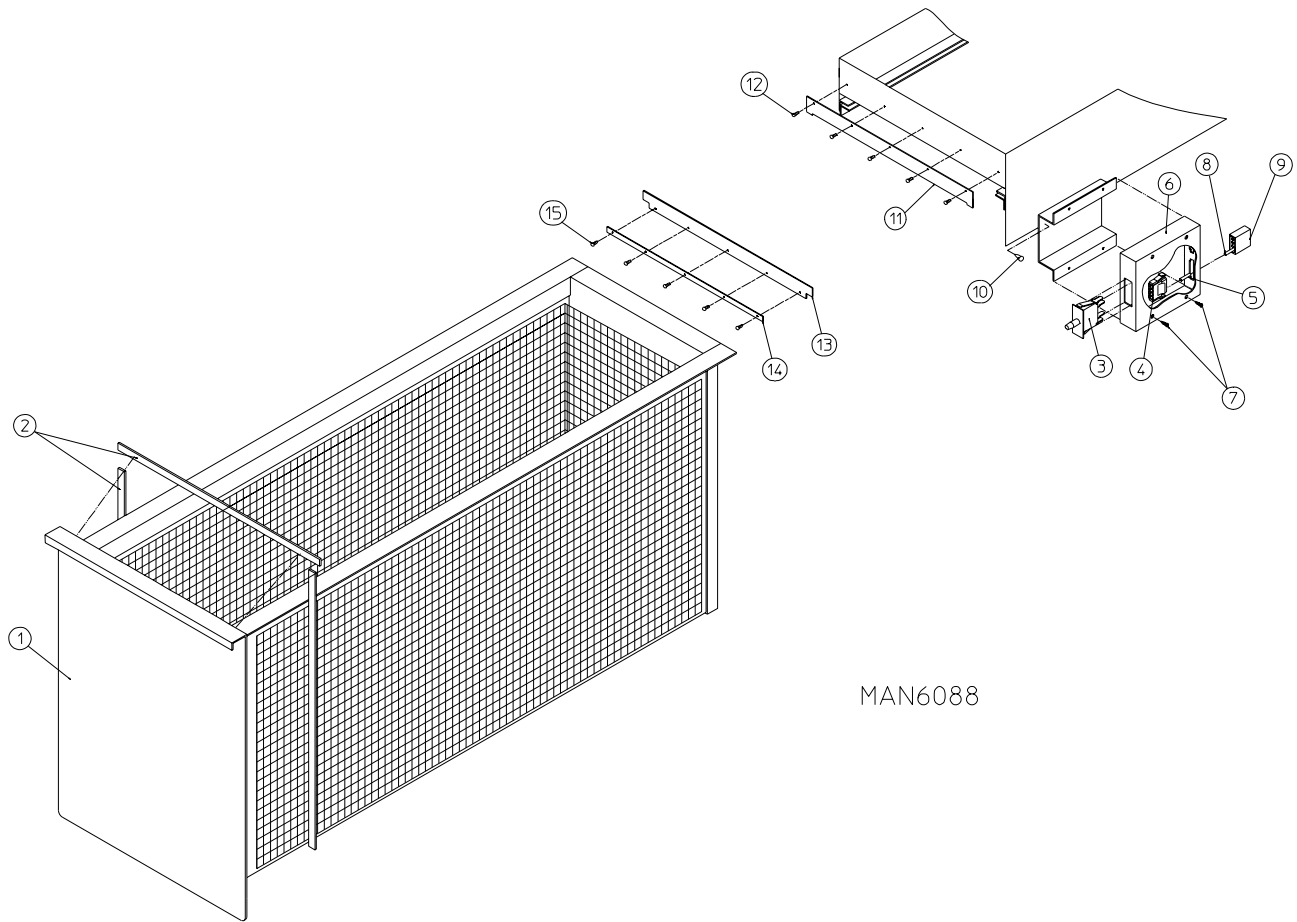
RIGHT HAND LINT BASKET DOOR ASSEMBLY



NOTE: Duplicate ALL components for *Left Hand Lint Basket Door Assembly* – Not Illustrated.

<u>Illus. No.</u>	<u>Part No.</u>	<u>Qty.</u>	<u>Description</u>
1	846795	1	Lint Basket Door Assembly Complete (includes illus. nos. 1 through 5)
2	153068	2	Brass Hinge Washer
3	170217	1	Large Dryer Door Handle
4	160009	1	Adjustable Cam
5	102312	*	Gray Silicone Extruded Gasket

* Sold by the foot.

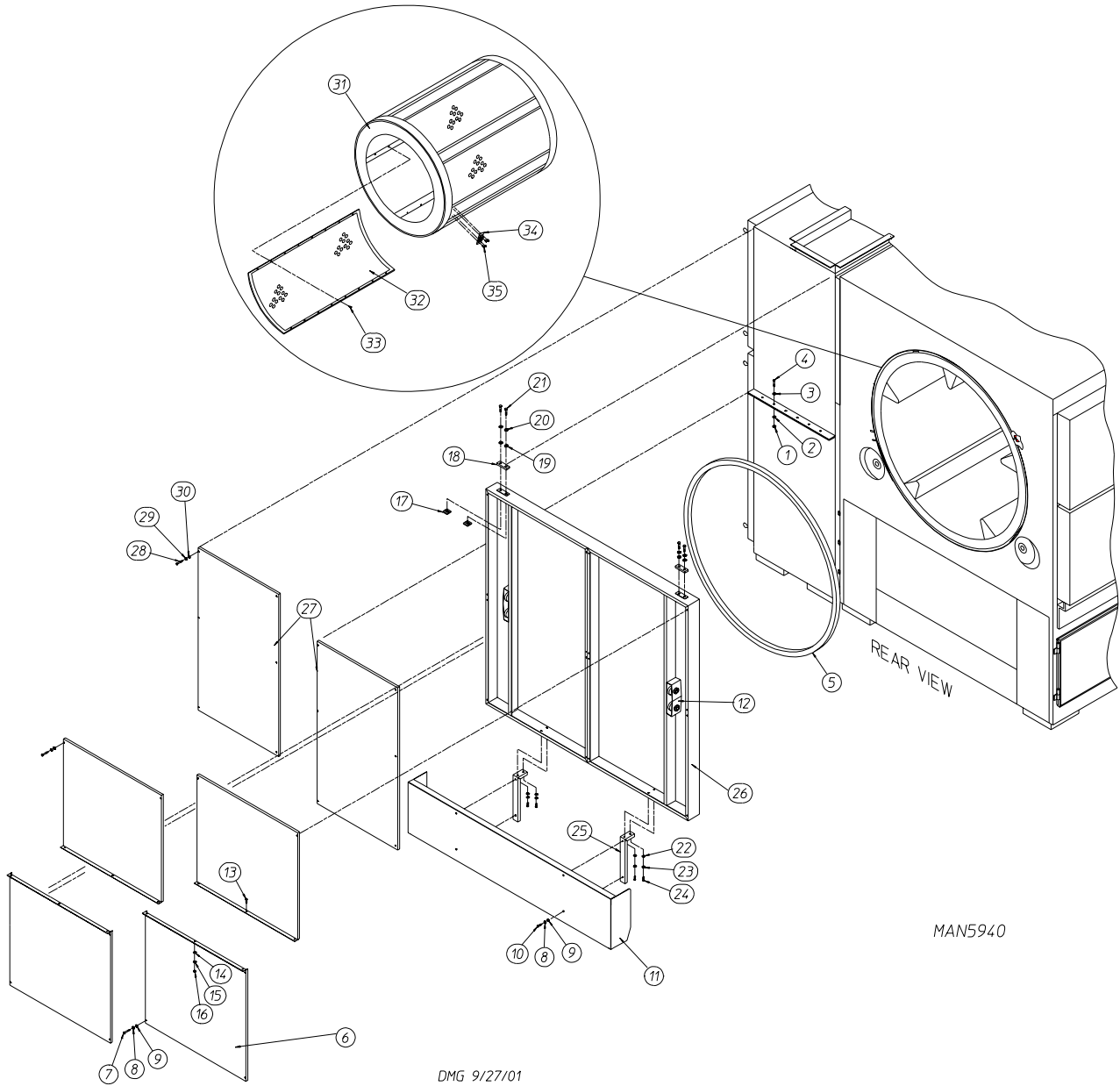


MAN6088

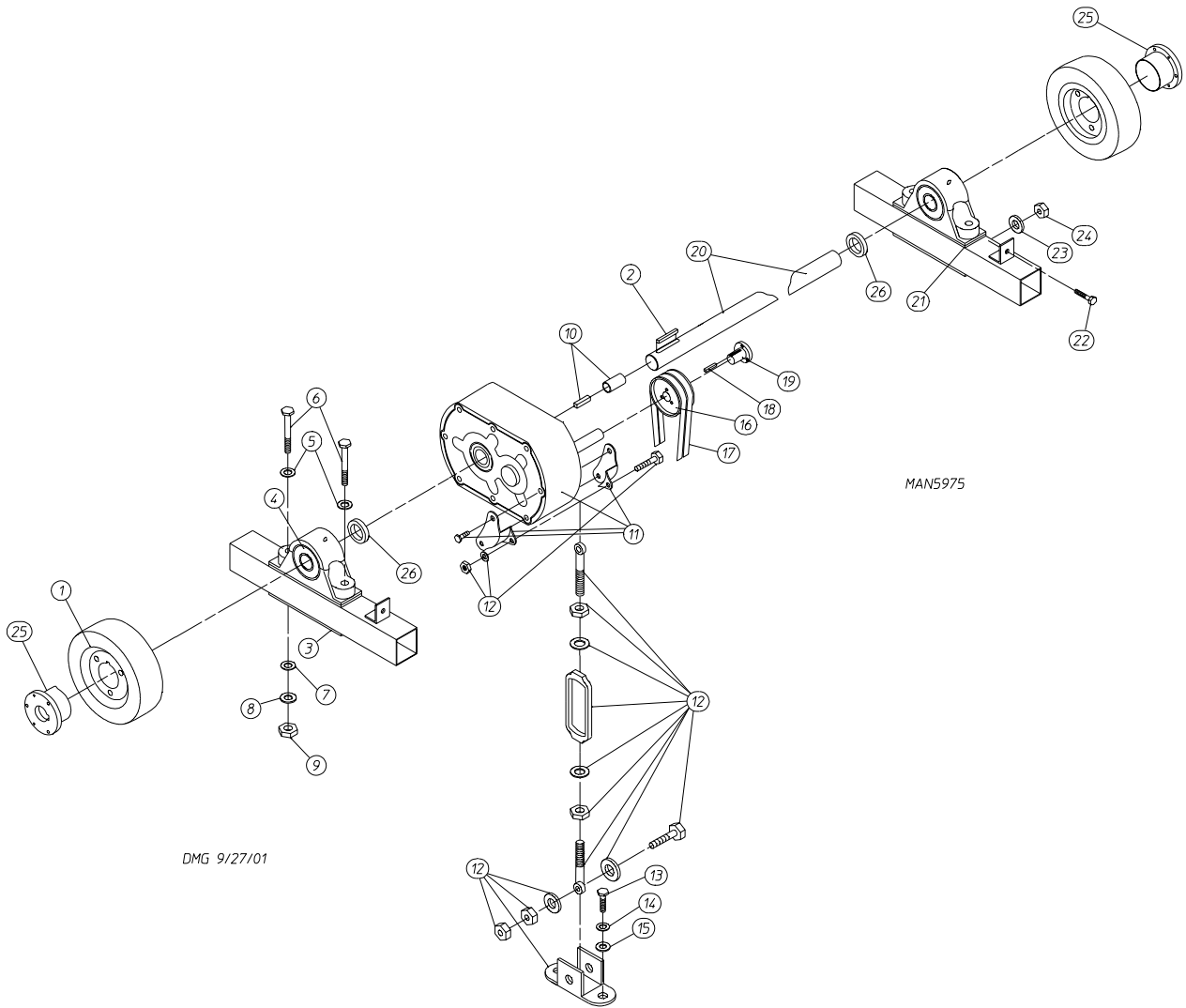
DMG 06/11/02

<u>Illus. No.</u>	<u>Part No.</u>	<u>Qty.</u>	<u>Description</u>
1	846965	2	Lint Drawer/Basket Assembly Complete
2	115995	*	Felt Gasket
	401010	1	Construction Mastic
3	122116	1	Lint Drawer Basket Switch ONLY
4	122605	2	4-Pin Socket Connector
5	122701	4	Socket Terminal ONLY
6	800264	2	Lint Drawer/Basket Switch Assembly Complete (includes illus. nos. 3 through 7)
7	150301	4	#8-18 x 7/16" Phillips Pan Head TEK Screw
8	122700	4	Pin Terminal ONLY
9	122604	2	4-Pin Connector
10	150301	2	#8-18 x 7/16" Phillips Pan Head TEK Screw
11	346800	1	Lint Basket Felt Backer Plate
12	150301	5	#8-18 x 7/16" Phillips Pan Head TEK Screw
13	115989	1	Lint Basket Felt
14	346799	1	Lint Basket Felt Retaining Bar
15	150311	5	#10-16 x 3/4" Phillips Screw

* Sold by the inch.

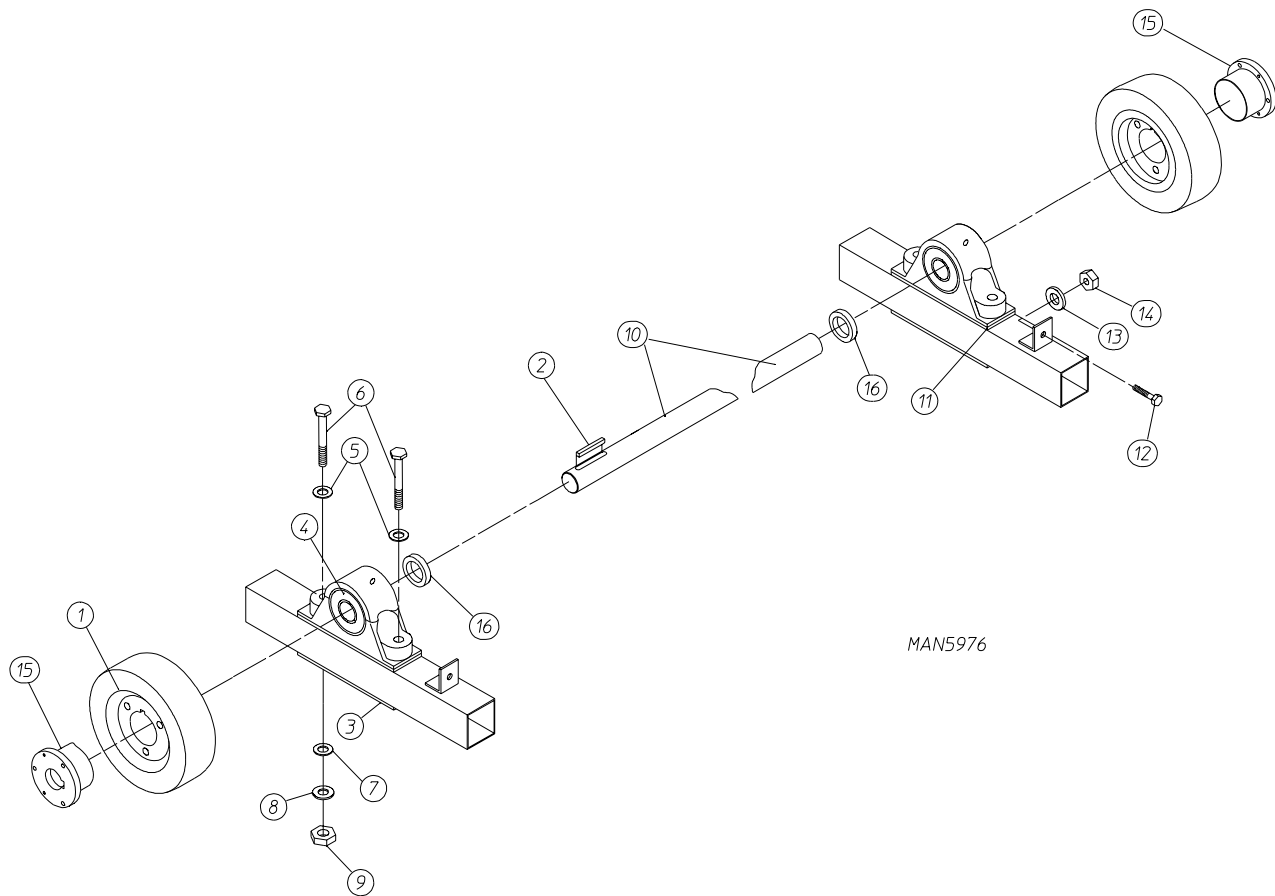


<u>Illus. No.</u>	<u>Part No.</u>	<u>Qty.</u>	<u>Description</u>
1	152005	16	3/8-16 Hex Nut
2	153005	16	3/8" Lock Washer
3	153004	16	3/8" Flat Washer
4	150508	16	3/8-16 x 3/4" Hex Head Machine Bolt
5	116009	1	200" x 1-3/8" x 3/8" Basket (tumbler) Felt
6	331829	4	Solid Back Panel Cover
7	150621	16	5/16-18 x 1-1/2" Tap Bolt
8	153001	20	5/16" Flat Washer
9	153002	20	5/16" Lock Washer
10	150501	4	5/16-18 x 3/4" Tap Bolt
11	820855	1	Solid Back Panel Lower Guard
12	-----	4	Basket (tumbler) Retaining Wheel Mount Assembly (refer to Basket [Tumbler] Retaining Wheel Mount Assembly on page 49)
13	150615	6	1/4-20 x 3/4" Tap Bolt
14	153018	6	1/4" Flat Washer
15	153007	6	1/4" Lock Washer
16	152002	6	1/4-20 Hex Nut
17	820523	4	Bottom Hinge Spacer
18	331786	2	Top Spacer Front Panel Hinge
19	153011	4	9/16" I.D. x 1-3/8" O.D. Flat Washer
20	153026	4	1/2" Lock Washer
21	150605	4	1/2-13 x 1-1/2" Tap Bolt
22	153002	4	5/16" Lock Washer
23	153001	4	5/16" Flat Washer
24	150501	4	5/16-18 x 3/4" Tap Bolt
25	820856	2	Lower Guard Mounting Channel
26	820603	1	Solid Back Panel
27	846846	2	Exhaust Insulation Panel
28	150225	12	5/16-18 x 3-1/2" Hex Head Machine Screw
29	153002	12	5/16" Lock Washer
30	153001	12	5/16" Flat Washer
31	846716	1	Basket (tumbler) ONLY
	882009	1	Basket (tumbler) with Removable Panels/Perforated
	846902	1	Basket (tumbler) with Perforated Ribs (for fabric conditioning option Only)
32	881646	5	Removable Basket (tumbler) Panel/Perforated
33	150122	80	1/4-20 x 3/8" Stainless Steel Socket Button Head Screw
34	846947	1	Rotational Sensor Magnet Assembly
35	150309	4	#10-16 x 1/2" Hex Washer TEK Screw



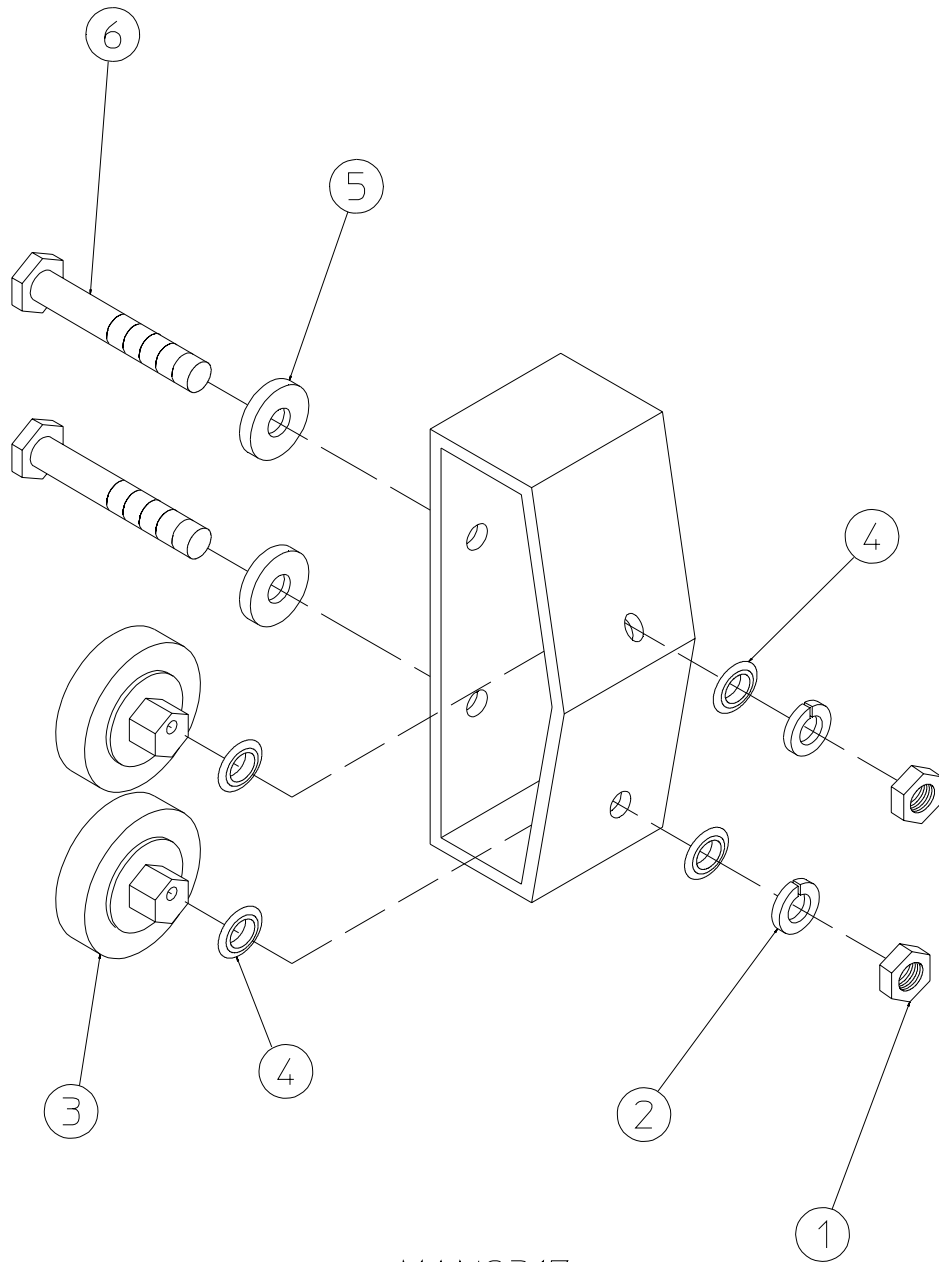
<u>Illus. No.</u>	<u>Part No.</u>	<u>Qty.</u>	<u>Description</u>
1	180031	2	11" x 5" Drive Wheel Assembly with Hub
2	100712	2	1/2" x 1/2" x 3" Key
3	331760	2	Bearing Mount
4	880882	2	2" Pillow Block Bearing with Setscrews and Grease Fitting
5	153016	4	5/8" Flat Washer
6	150627	4	5/8-11 x 5" Hex Head Bolt
7	153016	2	5/8" Flat Washer
8	153015	4	5/8" Lock Washer
9	152010	4	5/8-11 Hex Nut
10	101022	1	2" Bore Tapered Bushing
11	101019	1	Taper Bushed Speed Reducer
12	154395	1	Gear Reducer Turnbuckle
13	150508	2	3/8-16 x 3/4" Bolt
14	153005	2	3/8" Lock Washer
15	153004	2	3/8" Flat Washer
16	101176	1	2B x 5.6 Pulley
17*	100118	2	5L-310 V-Belt (for 60 Hz models)
	100119	2	5L-320 V-Belt (for 50 Hz models)
18	100709	1	3/8" x 3/8" x 2" Key
19	101196	1	SDS x 1-5/8" Bushing with Setscrew
20	346510	1	2" x 79-1/16" Drive Shaft
21	332838	2	Basket (tumbler) Bearing Spacer
22	150629	2	1/2-13 x 3-1/2" Hex Head Bolt
23	153026	2	1/2" Lock Washer
24	152011	2	1/2-13 Hex Nut
25	101191	2	2" Bore Tapered Bushing
26	101171	2	Lock Collar - 2" Bore

* Replace in matched sets (both belts).



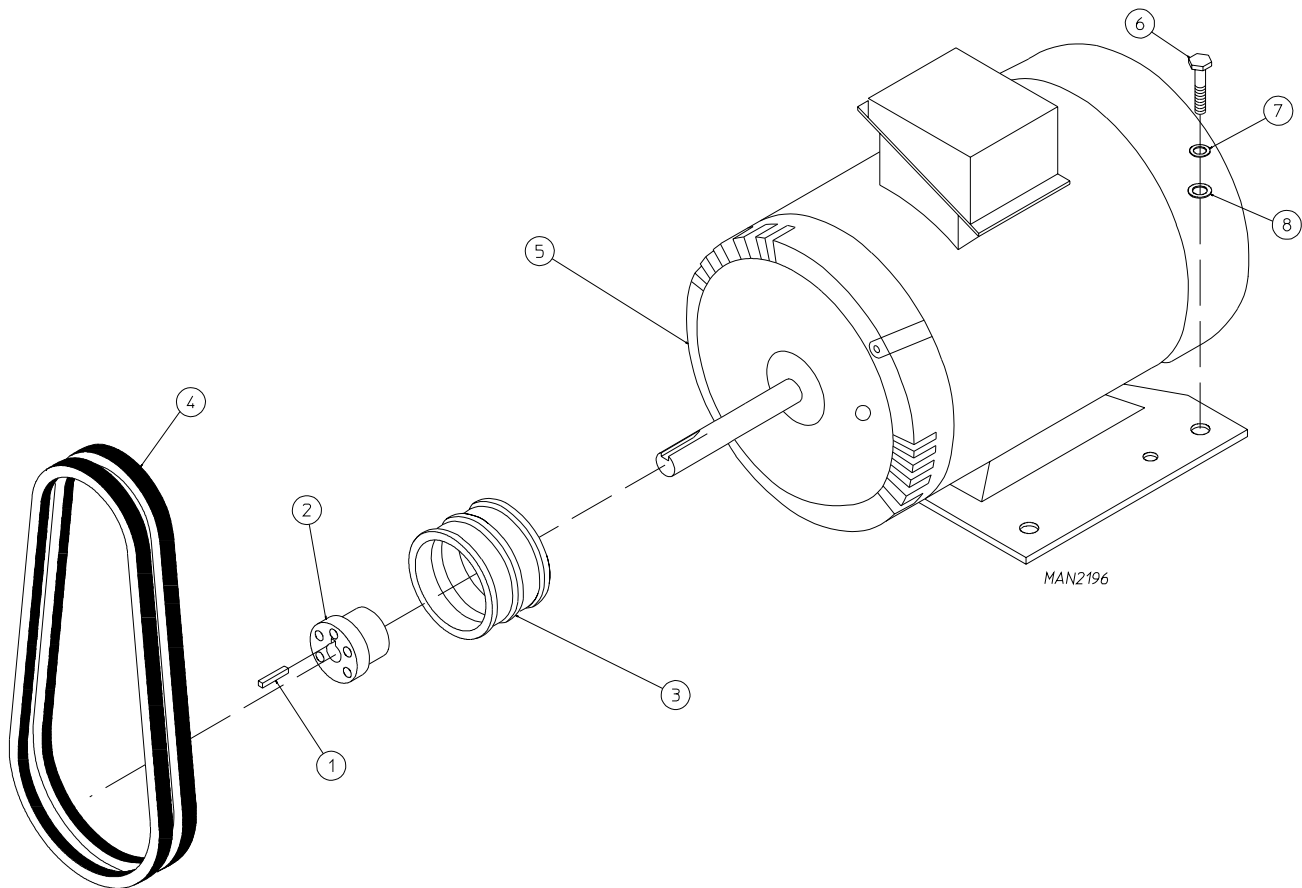
DMG 9/27/01

<u>Illus. No.</u>	<u>Part No.</u>	<u>Qty.</u>	<u>Description</u>
1	180031	2	11" x 5" Drive Wheel Assembly with Hub
2	100712	2	1/2" x 1/2" x 3" Key
3	331760	2	Bearing Mount
4	880882	2	2" Pillow Block Bearing with Setscrews and Grease Fitting
5	153016	4	5/8" Flat Washer
6	150627	4	5/8-11 x 5" Hex Head Bolt
7	153016	2	5/8" Flat Washer
8	153015	4	5/8" Lock Washer
9	152010	4	5/8-11 Hex Nut
10	346510	1	2" x 79-1/16" Drive Shaft
11	332838	2	Basket (tumbler) Bearing Spacer
12	150629	2	1/2-13 x 3-1/2" Hex Head Bolt
13	153026	2	1/2" Lock Washer
14	152011	2	1/2-13 Hex Nut
15	101191	2	2" Bore Tapered Bushing
16	101171	2	Lock Collar - 2" Bore



MAN2317

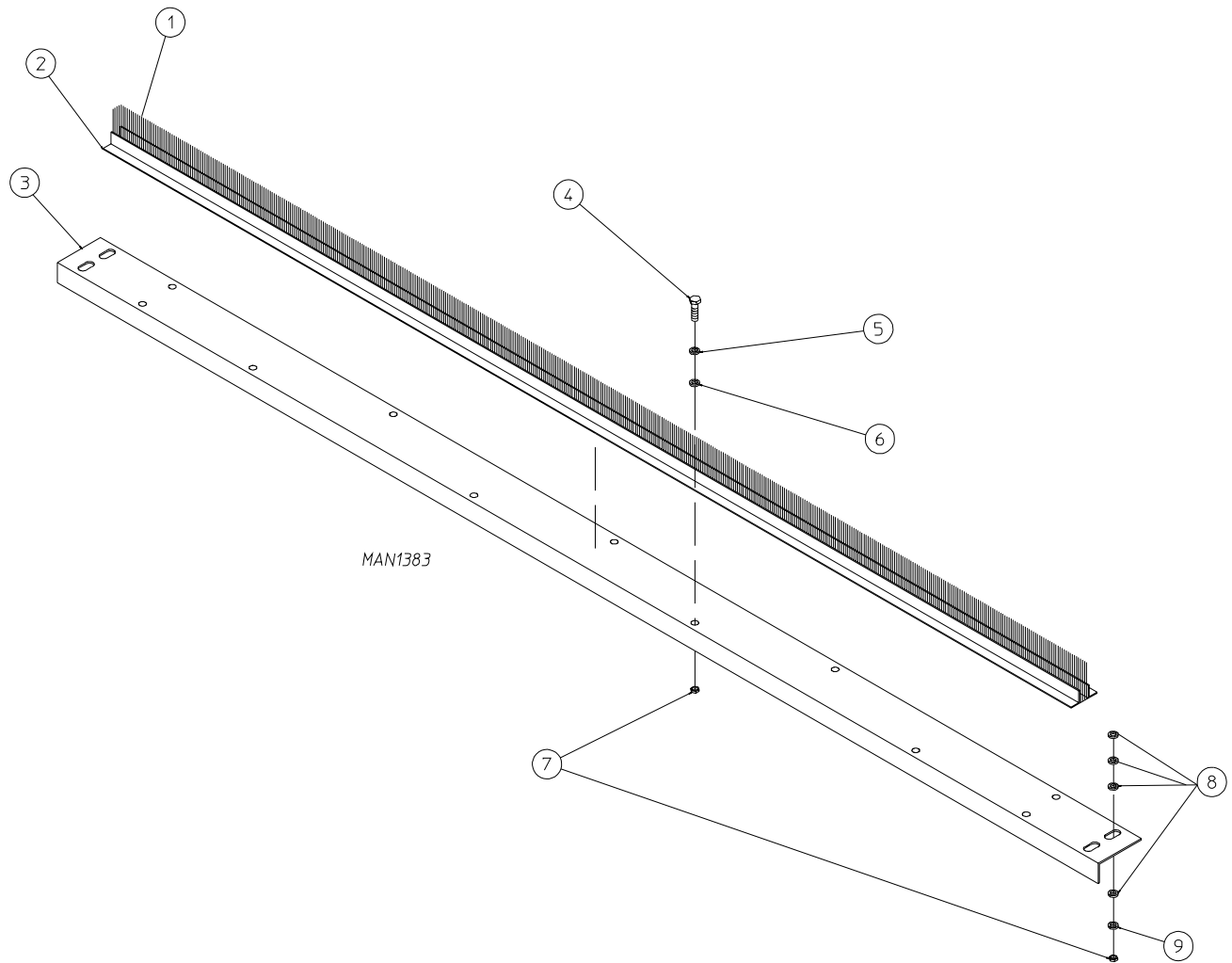
<u>Illus. No.</u>	<u>Part No.</u>	<u>Qty.</u>	<u>Description</u>
1	152005	2	3/8-16 Hex Nut
2	153005	2	3/8" Lock Washer
3	180029	2	Retaining Wheel
4	153062	4	5/16" x 7/8" x 1/4" Spherical Washer
5	153004	2	3/8" Flat Washer
6	150438	2	3/8-16 x 3-1/4" Hex Head Machine Bolt



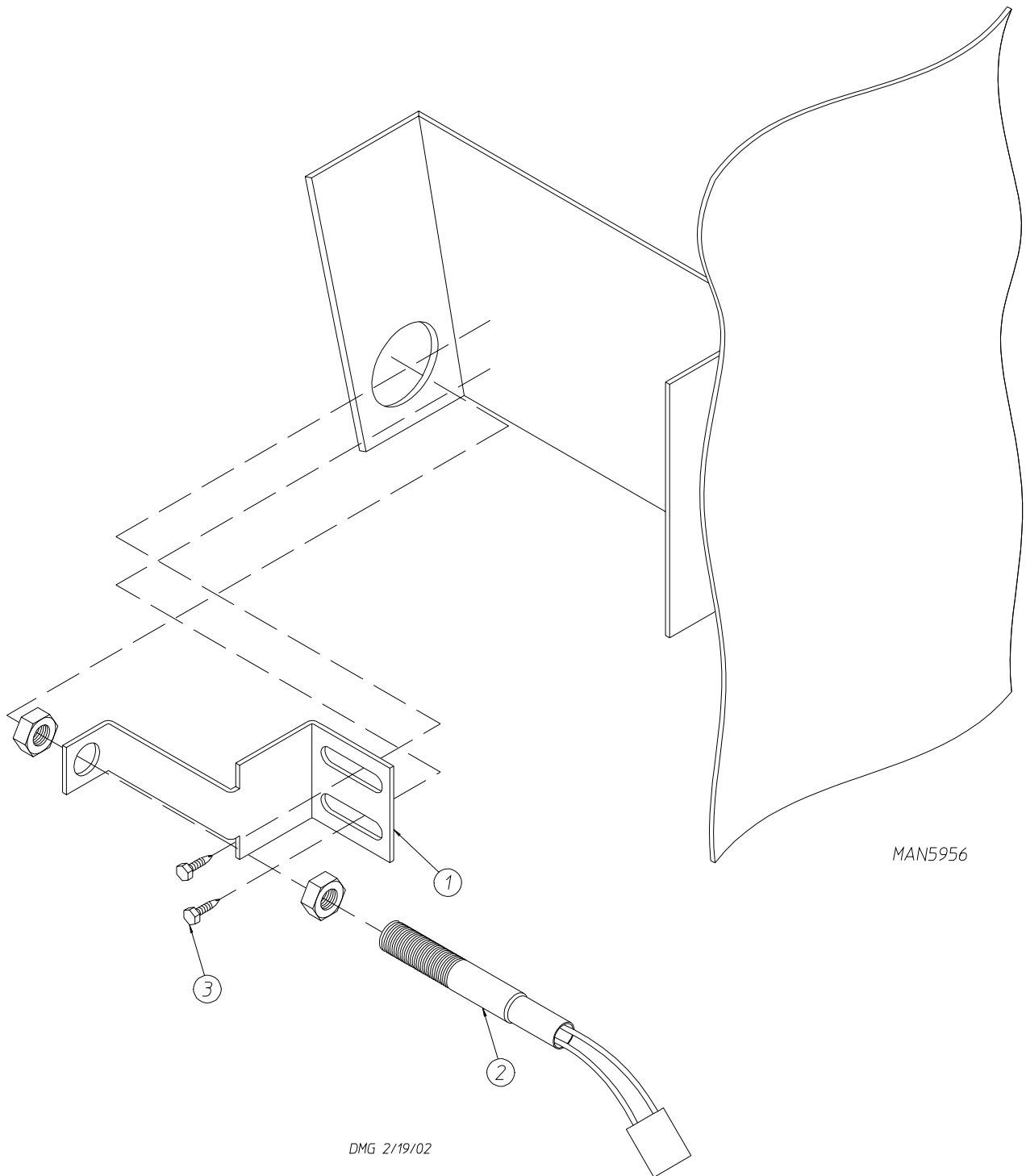
<u>Illus. No.</u>	<u>Part No.</u>	<u>Qty.</u>	<u>Description</u>
1	100704	1	1/4" x 1/4" x 1-3/4" Key
2	101144	1	SH x 1-1/8" Bushing
3	101187	1	2B x 3.6 Pulley (for 60 Hz models Only)
	101195	1	2B x 4.4 Pulley (for 50 Hz models Only)
4*	100118	2	5L-310 V-Belt (for 60 Hz models Only)
	100119	2	5L-320 V-Belt (for 60 Hz Models Only)
	100138	2	A30 V-Belt (motor to basket [tumbler] drive shaft) (for 50 Hz Models Only)
5**	181023	1	7.5 HP 50/60 Hz 1800 RPM Drive Motor
6	150508	4	3/8-16 x 3/4" Hex Head Bolt
7	153005	4	3/8" Lock Washer
8	153004	4	3/8" Flat Washer

* Replace in matched sets (both belts).

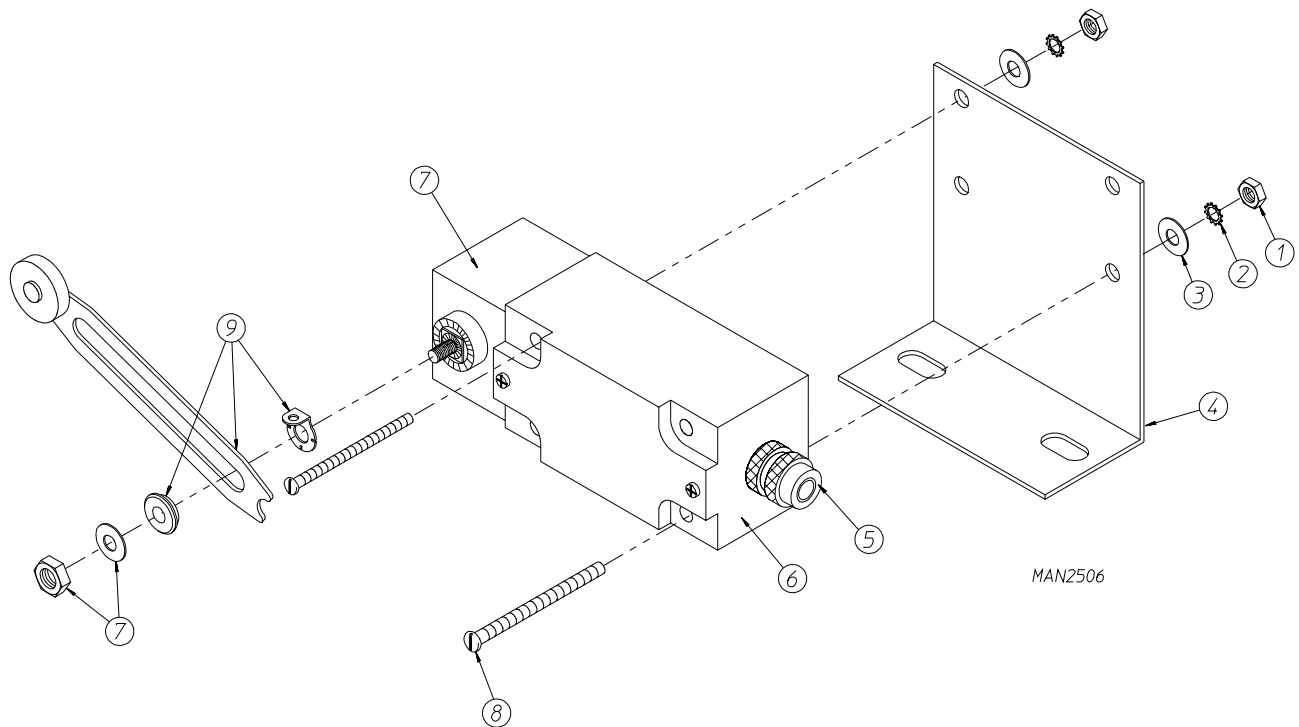
** Specify voltage when ordering.



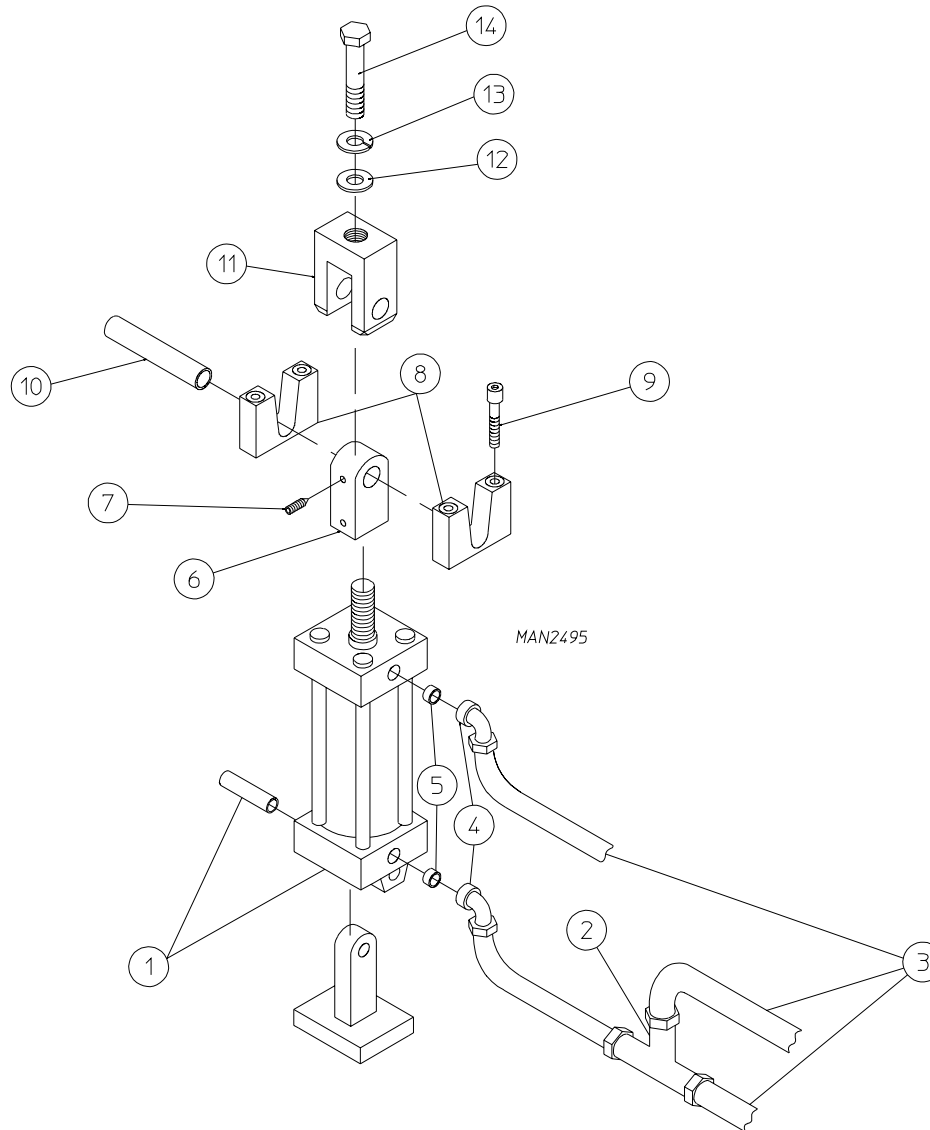
<u>Illus. No.</u>	<u>Part No.</u>	<u>Qty.</u>	<u>Description</u>
1	170189	1	62-1/2" Wire Brush
2	170188	1	62-1/2" Aluminum Basket (tumbler) Brush Holder
3	346537	1	Basket (tumbler) Brush Mounting Bracket
4	150510	11	1/4-20 x 3/4" Hex Head Machine Bolt
5	153007	11	1/4" Lock Washer
6	153018	11	1/4" Flat Washer
7	152002	15	1/4-20 Hex Nut
8	153018	16	1/4" Flat Washer
9	153007	4	1/4" Lock Washer



<u>Illus. No.</u>	<u>Part No.</u>	<u>Qty.</u>	<u>Description</u>
1	333152	1	Rotational Sensor Bracket
2	882633	1	Rotational Sensor Proximity Switch
3	150309	2	#10-16 x 1/2" Hex Head TEK Screw

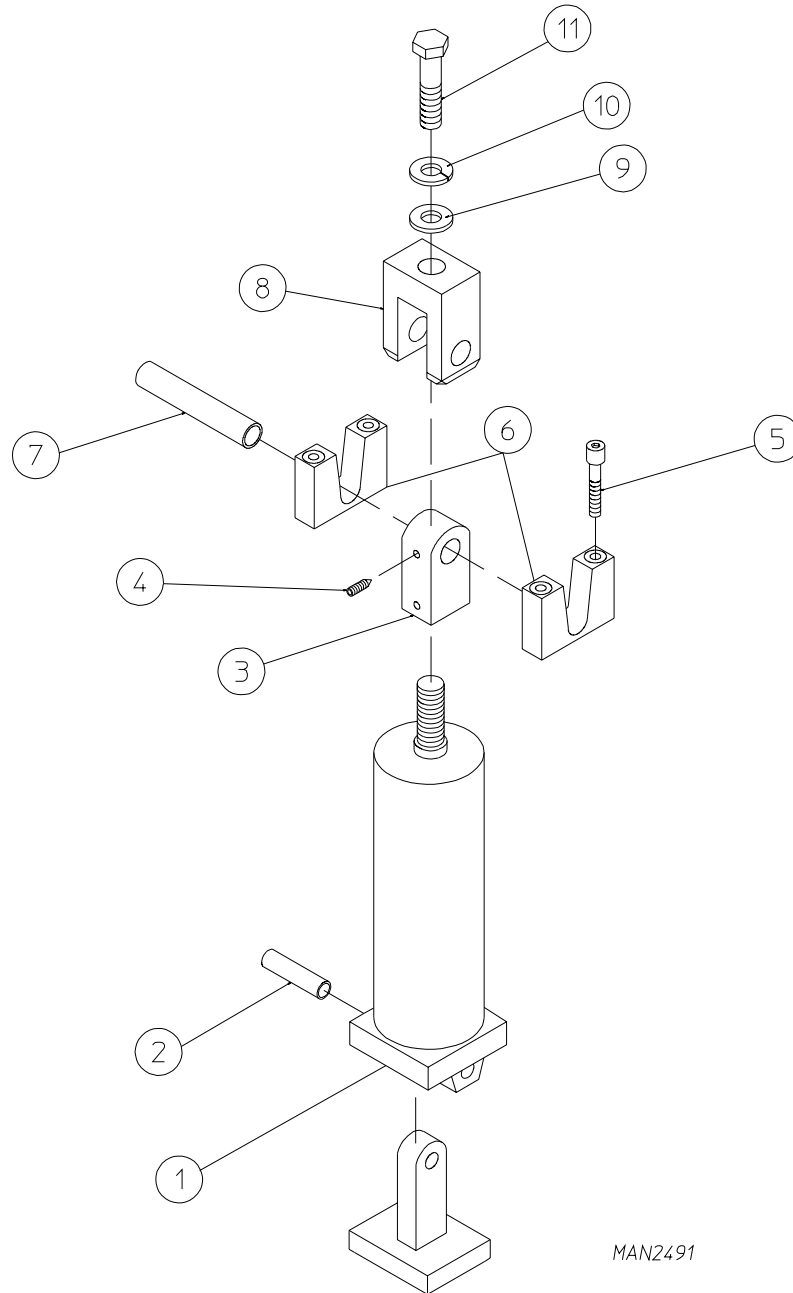


<u>Illus. No.</u>	<u>Part No.</u>	<u>Qty.</u>	<u>Description</u>
1	152001	4	#8-32 Hex Nut
2	153012	4	#8 Star Washer
3	153000	4	#8 Flat Washer
4	331911	1	Tilt Switch Bracket
5	120655	1	Blue Cord Grip Connector
6	122367	1	Limit Switch Body
7	122365	1	Limit Switch ONLY
8	150109	4	#8-32 x 2" Phillips Round Head Machine Screw
9	122369	1	Roller Lever Arm



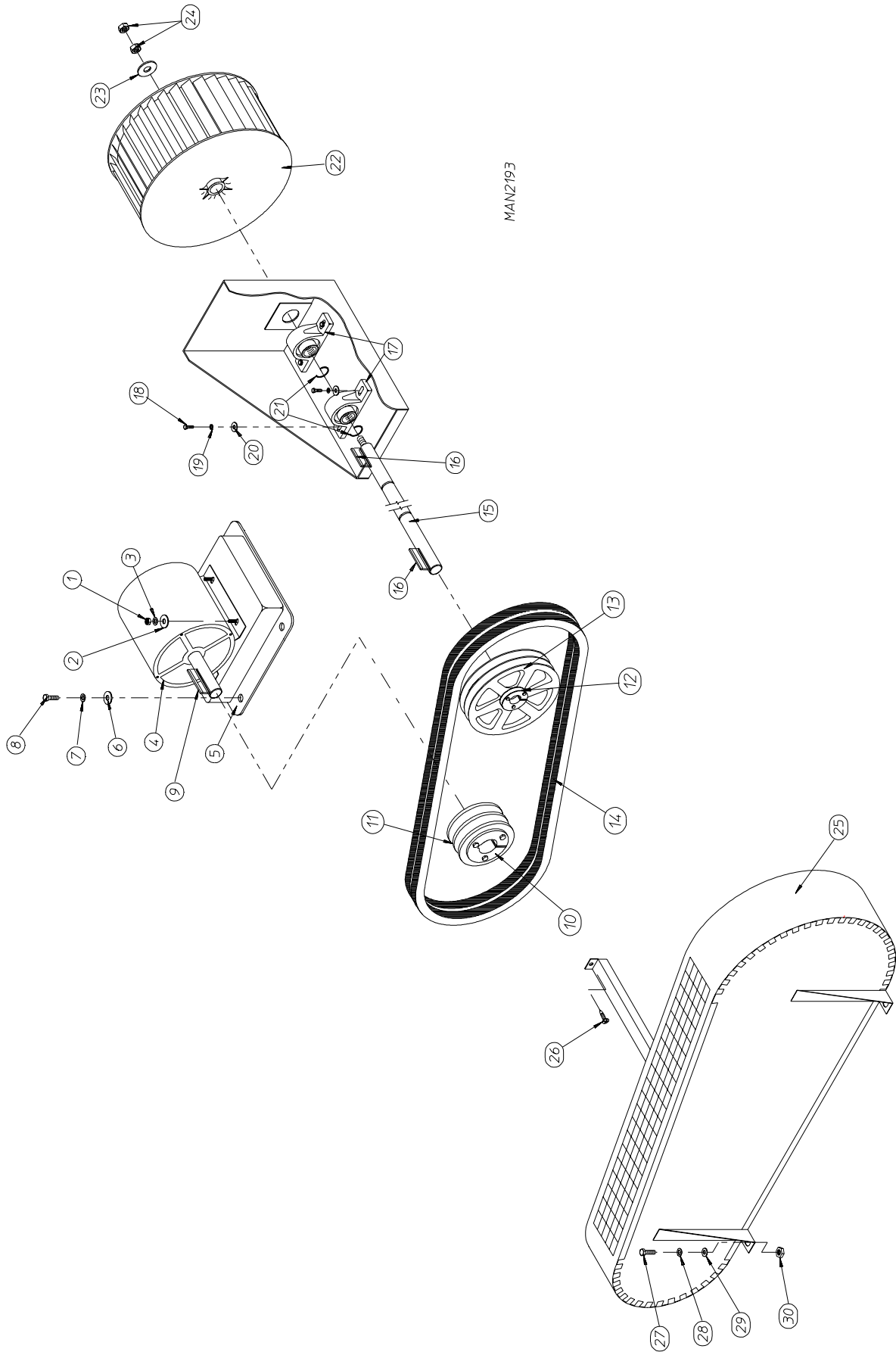
<u>Illus. No.</u>	<u>Part No.</u>	<u>Qty.</u>	<u>Description</u>
1	100563	1	6" Bore x 19" Stroke Cylinder with Clevis Pin
	100433	1	6" Bore x 15" Stroke Cylinder with Clevis Pin (optional)
	100488	1	Clevis Pin ONLY
2	143221	1	3/8" Brass Union Tee
3	143120	10	3/8" O.D. Poly-Flo Tubing (sold by the foot)
4	143298	2	3/8" x 90° Compression Elbow
5	143299	2	3/8" Tube Insert
6	100442	1	Rod Eye
7	154333	2	1/4-20 x 1" Cup Point Setscrew
8	102383	2	Cylinder Pin Bumper
9	150435	4	3/8-16 x 3" Socket Cap Screw
10	346491	1	1-3/8" Clevis Pin
11	100484	1	Rod Clevis
12	153034	1	1-1/4" Flat Washer
13	153036	1	1-1/4" Lock Washer
14	150516	1	1-1/4-12 x 2" Hex Head Bolt

For One-Way Tilt Models ONLY



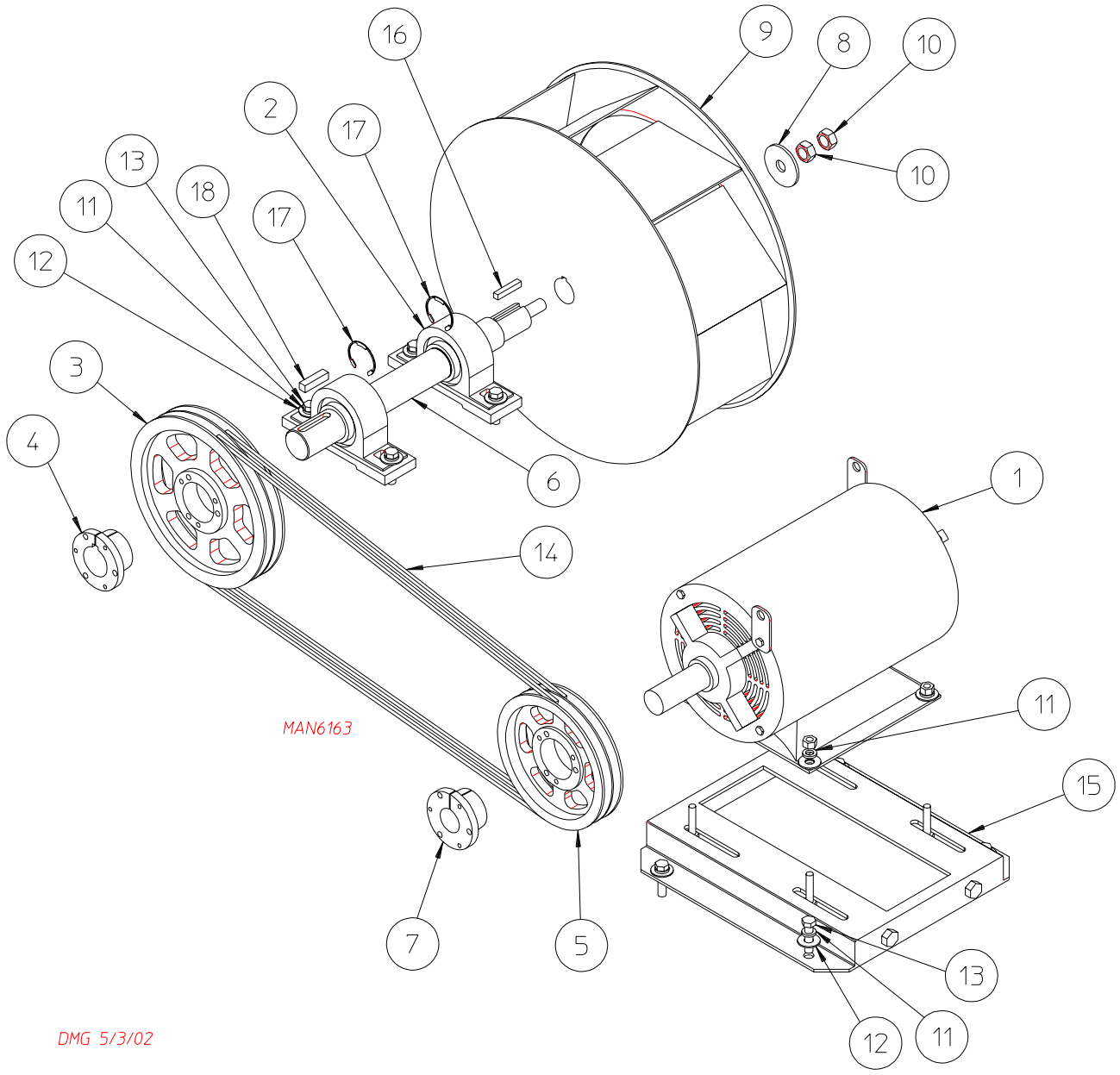
MAN2491

<u>Illus. No.</u>	<u>Part No.</u>	<u>Qty.</u>	<u>Description</u>
1	846763	1	Piston Bar
2	100448	1	1" Pivot Pin
3	100442	1	Rod Eye
4	154333	2	1/4-20 x 1" Setscrew
5	150435	4	3/8-16 x 3" Socket Cap Screw
6	102383	2	Cylinder Pin Bumper
7	346491	1	1-3/8" Clevis Pin
8	100484	1	Clevis Block
9	153034	1	1-1/4" Flat Washer
10	153036	1	1-1/4" Lock Washer
11	150516	1	1-1/4-12 x 2" Hex Head Bolt



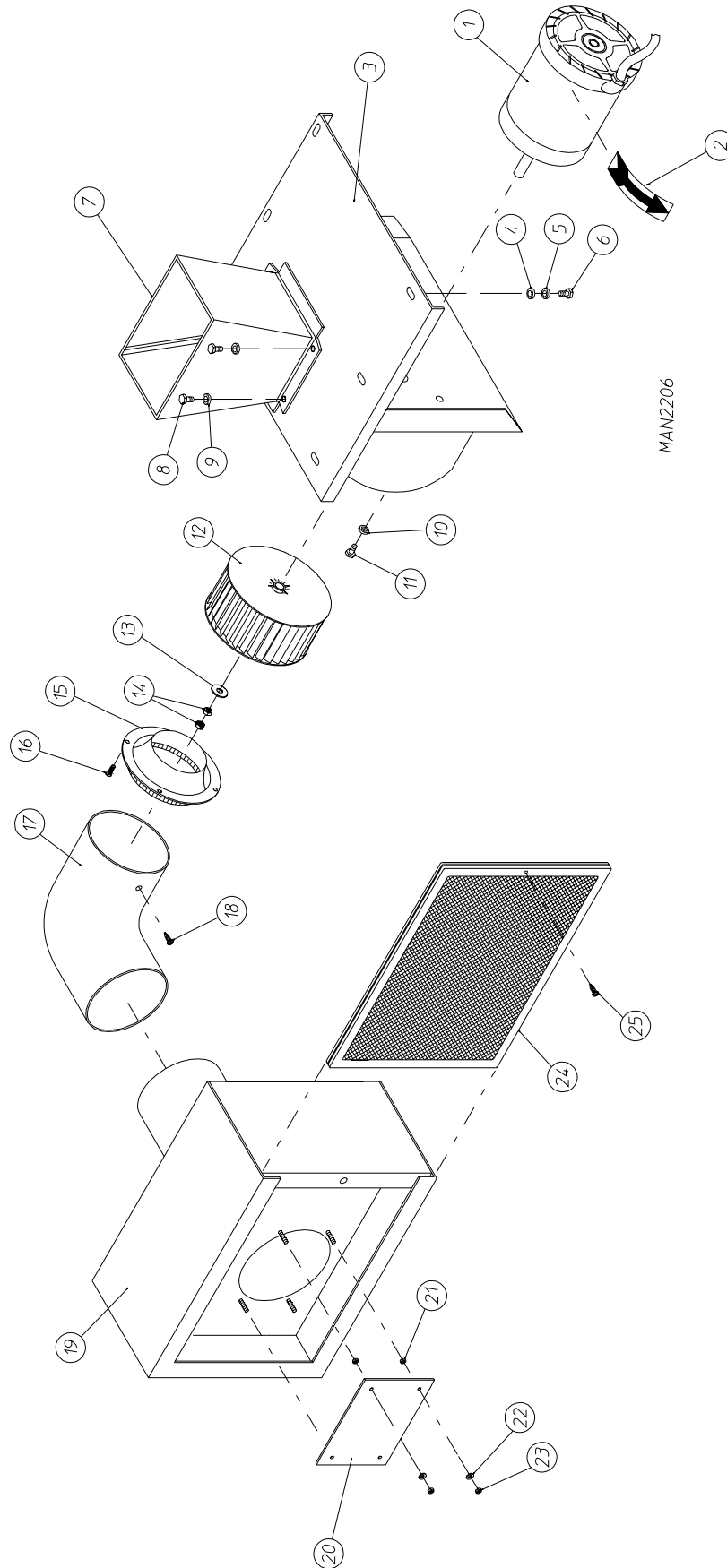
<u>Illus. No.</u>	<u>Part No.</u>	<u>Qty.</u>	<u>Description</u>
1	152011	4	1/2-13 Hex Nut
2	153014	4	1/2" Flat Washer
3	153026	4	1/2" Lock Washer
4	181021	1	25 HP 3ø 50/60 Hz Motor
5	181104	1	284T Frame Slide Motor Base
6	153014	4	1/2" Flat Washer
7	153026	4	1/2" Lock Washer
8	150605	4	1/2-13 x 1-1/2" Tap Bolt
9	100709	1	3/8" x 3/8" x 2" Key
10	101214	1	SK x 1-7/8" Bushing
11	101176	1	2B x 5.6 Pulley (for 60 Hz models Only)
	101189	1	2B x 8.0 Pulley (for 50 Hz models Only)
12	101154	1	SK x 1-3/4" Bushing
13	101145	1	2B x 11.0 Pulley
14*	100122	2	BX 84 V-Belt
15	346402	1	Blower Shaft ONLY
16	100710	2	3/8" x 3/8" x 3" Key
17	100239	2	1-3/4" Pillow Block Bearing
18	150606	4	1/2-13 x 2" Tap Bolt
19	153026	4	1/2" Lock Washer
20	153011	4	1/2" Flat Washer
21	100816	2	1-3/4" E-Clip
22	100661	1	22-1/4" Blower Wheel
23	153071	1	Fan Washer
24	152053	2	3/4-16 Left Hand Jam Nut
25	846801	1	Belt Guard ONLY
26	150301	1	#8-18 x 7/16" Phillips Pan Head TEK Screw
27	150512	2	1/4-20 x 1/2" Hex Head Machine Bolt
28	153007	2	1/4" Lock Washer
29	153018	2	1/4" Flat Washer
30	152002	2	1/4-20 Hex Nut

* Replace in matched sets (both belts).



<u>Illus. No.</u>	<u>Part No.</u>	<u>Qty.</u>	<u>Description</u>
1	181006	1	25 HP 3600 RPM 50/60 Hz 3 ϕ Motor
2	100249	2	2" Pillow Block Bearing Air Handling
3	101145	1	2B x 11 SK Sheave
4	101210	1	SK x 2 Bushing with Setscrew
5	101238	1	2B x 8.6 SK Sheave
6	367176	1	Impellor Shaft
7	101237	1	SK x 1.625 Bushing
8	153071	1	Fan Washer
9	100665	1	Impellor Wheel
10	152053	2	3/4-16 Left-Hand Hex Nut
11	153026	12	1/2 Standard Lock Washer
12	153011	8	9/16" ID 1-3/8" OD Flat Washer
13	150606	8	1/2-13 x 2" Tap Bolt
14	100129	2	BX-94 Belt
15	181007	1	256T Frame Slide Motor Base
16	100709	1	3/8" x 3/8" x 2" Key
17	100819	2	2" C Clip
18	100703	1	0.5" x 0.5" x 2" Key

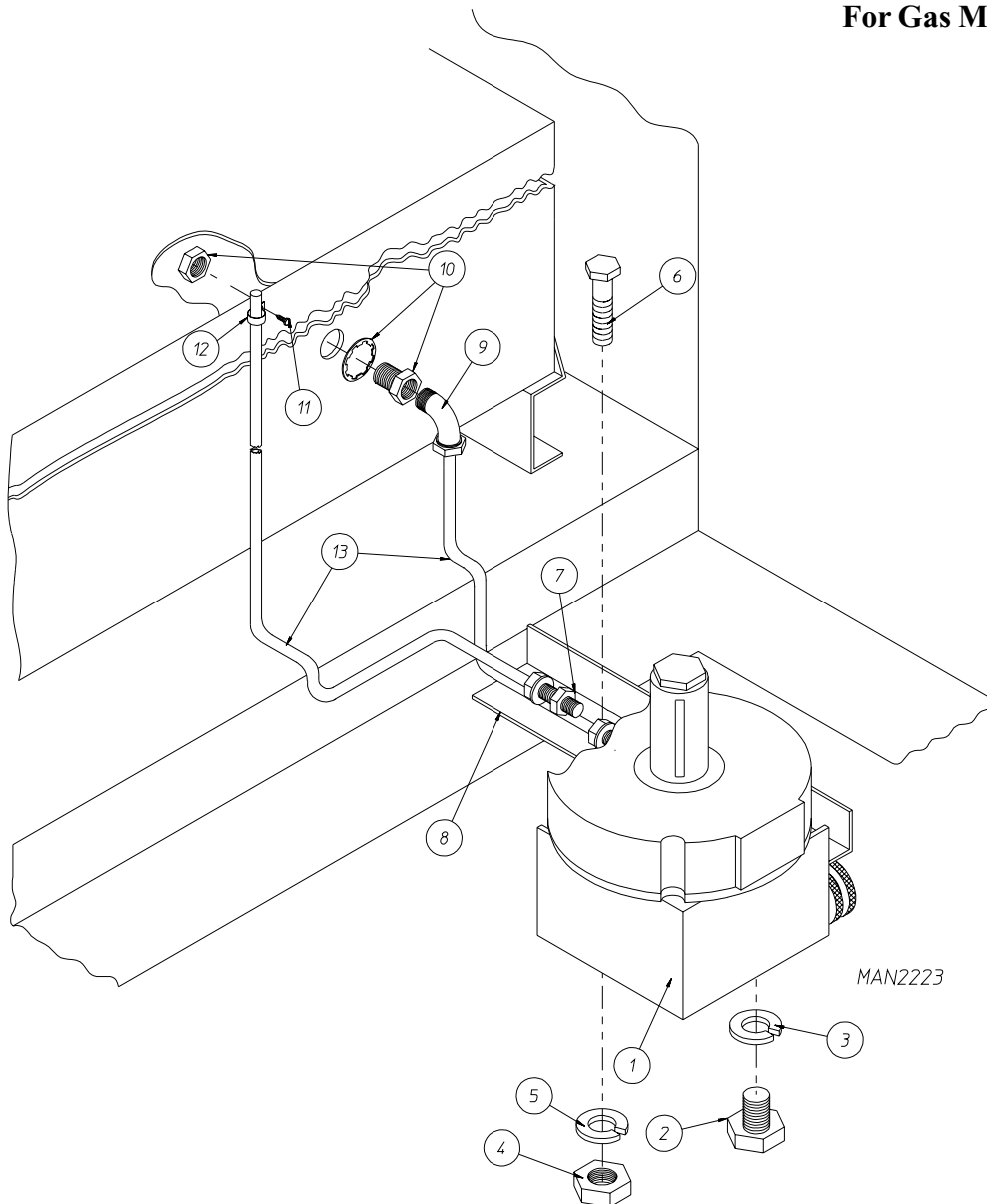
For Gas Models ONLY



For Gas Models ONLY

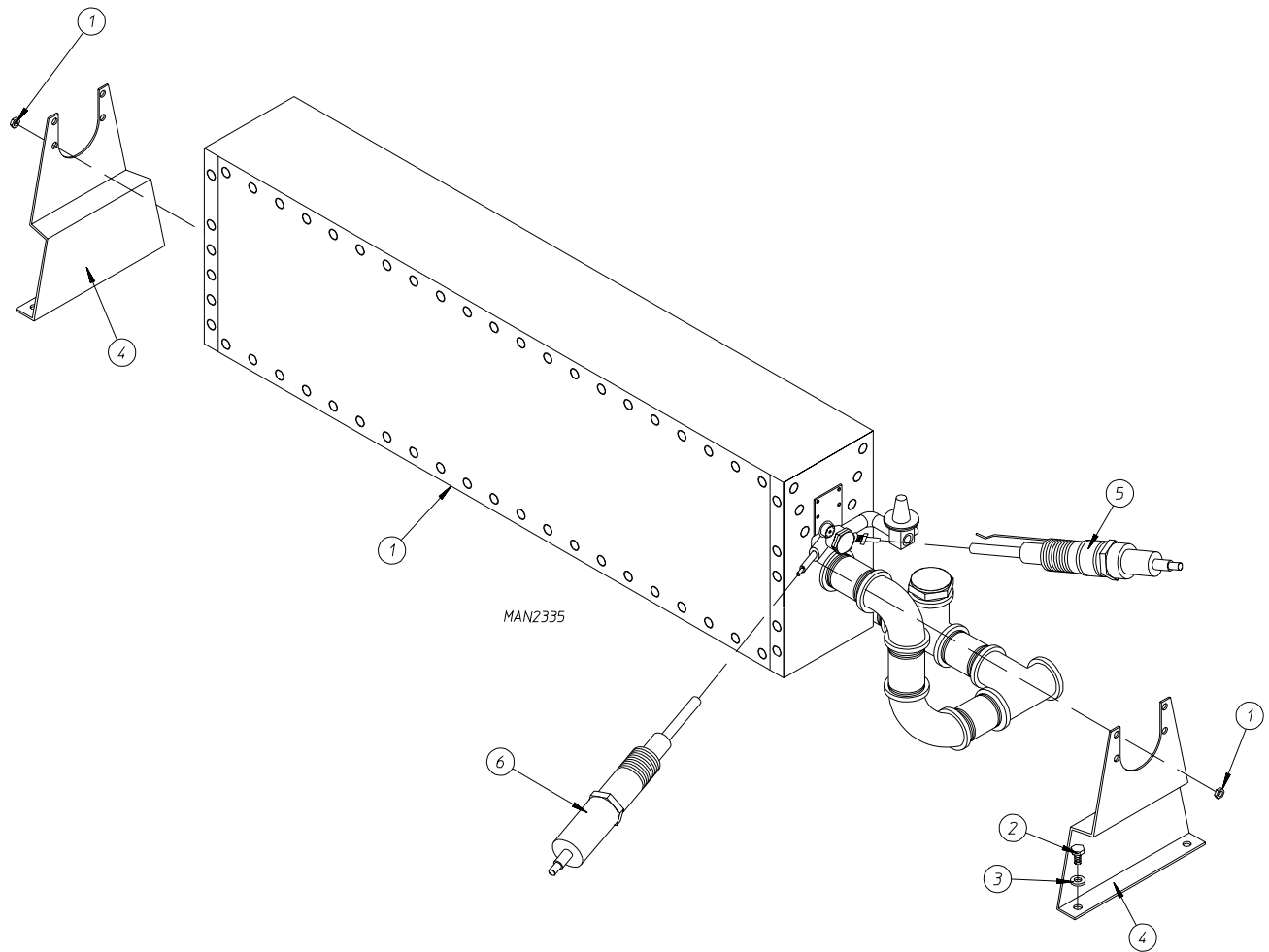
<u>Illus. No.</u>	<u>Part No.</u>	<u>Qty.</u>	<u>Description</u>
1	181005	1	1-1/2 HP Motor
2	112093	1	“Arrow” Decal
3	846735	1	Combustion Air Mounting Assembly
4	153004	6	3/8” Flat Washer
5	153005	6	3/8” Lock Washer
6	150508	6	3/8-16 x 3/4” Hex Head Bolt
7	846879	1	Combustion Air Duct Assembly
8	150501	4	5/16-18 x 3/4” Hex Head Bolt
9	153002	4	5/16” Lock Washer
10	153005	4	3/8” Lock Washer
11	150508	4	3/8-16 x 3/4” Hex Head Bolt
12	100659	1	Blower Wheel
13	153050	1	1/2” Flat Washer
14	152006	2	1/2-20 Jam Nut
15	846736	1	Inlet Ring Assembly
16	150301	1	#8-18 x 7/16” Phillips Pan Head TEK Screw
17	143502	1	8” x 90° Galvanized Elbow
18	150301	1	#8-18 x 7/16” Phillips Pan Head TEK Screw
19	846743	1	Combustion Air Filter Box Assembly
20	346457	1	Combustion Air Damper
21	152002	4	1/4-20 Hex Nut
22	153007	4	1/4” Lock Washer
23	152002	4	1/4-20 Hex Nut
24	846744	1	Combustion Air Lint Screen Assembly
25	150301	1	#8-18 x 7/16” Phillips Pan Head TEK Screw

For Gas Models ONLY

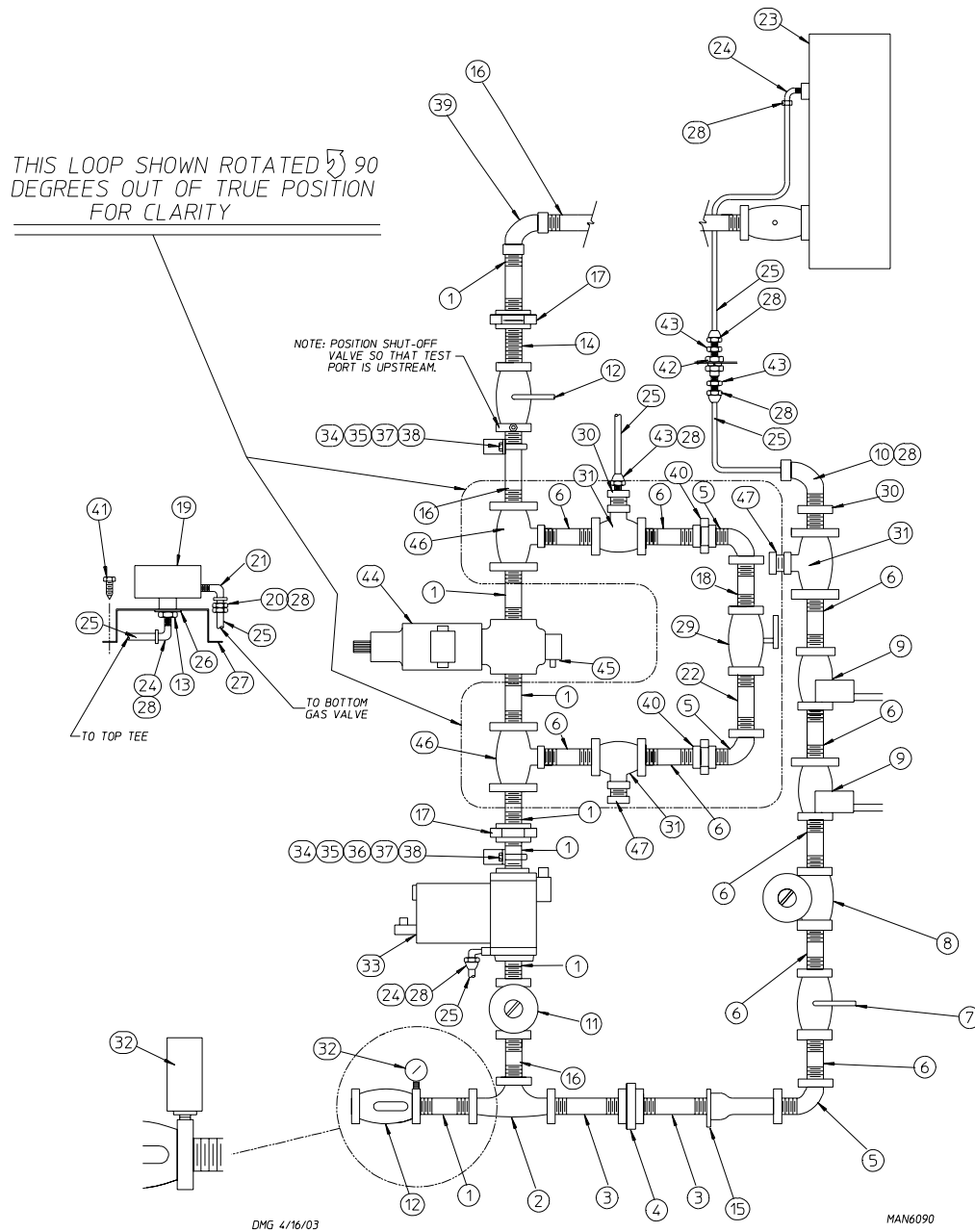


<u>Illus. No.</u>	<u>Part No.</u>	<u>Qty.</u>	<u>Description</u>
1	820864	1	Combustion Air Differential Switch Assembly Complete (includes illus. nos. 1 through 13)
	136993	1	Combustion Air Differential Switch ONLY
2	150501	1	5/16-18 x 3/4" Tap Bolt
3	153002	1	5/16" Lock Washer
4	152002	2	1/4-20 Hex Nut
5	153007	2	1/4" Lock Washer
6	150510	2	1/4-20 x 3/4" Hex Head Machine Bolt
7	143152	2	1/4" x 1/8" M.P.T. Straight Brass Connector
8	331471	1	Combustion Air Switch Bracket
9	143151	1	1/4" to 3/8" M.P.T. Brass Elbow
10	143257	1	3/8" F.P.T. Brass Bulkhead Adaptor
11	150301	1	#8-18 x 7/16" Phillips Pan Head TEK Screw
12	154005	1	Tinnerman Clip
13	882157	4	1/4" Aluminum Tubing (sold by the foot)

For Gas Models ONLY



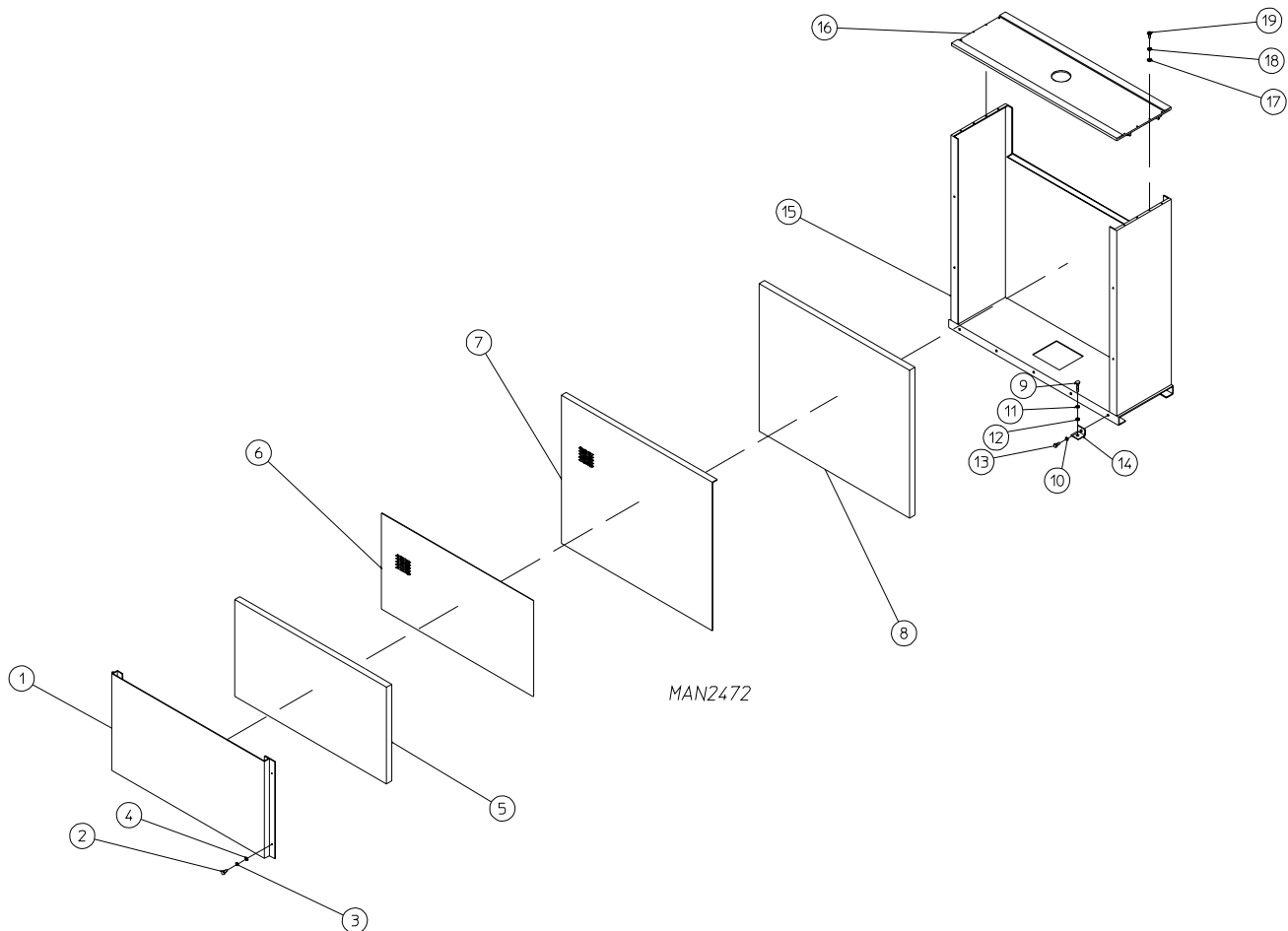
<u>Illus. No.</u>	<u>Part No.</u>	<u>Qty.</u>	<u>Description</u>
1	141127	1	280 RAH Air-Heat Burner
2	150508	4	3/8-16 x 3/4" Hex Head Bolt
3	153004	4	3/8" Flat Washer
4	331779	2	Burner Box Mounting Bracket
5	141179	1	Spark Plug
6	141178	2	Flame Rod



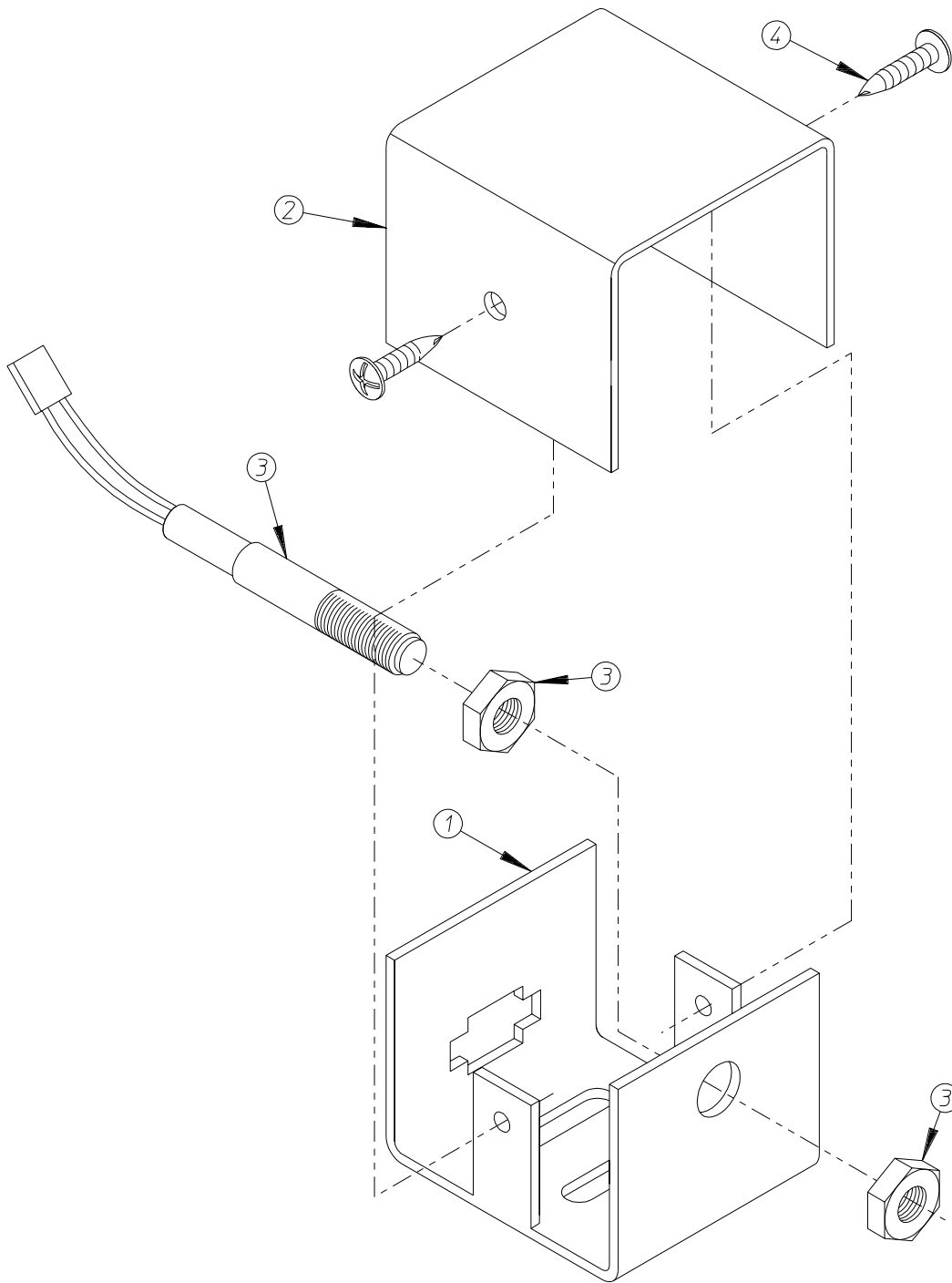
<u>Illus. No.</u>	<u>Part No.</u>	<u>Qty.</u>	<u>Description</u>
1	142552	7	2" x 3" Black Iron Nipple
2	142606	1	2" x 1-1/2" x 2" Black Iron Tee
3	142827	2	1-1/2" x 2-1/2" Large Nipple, Bi
4	142603	1	1-1/2" Black Iron Union
5	142506	3	1/2" Street Elbow, Bi
6	142707	9	1/2" x 1-1/2" Large Nipple, Bi
7	141059	1	1/2" N.P.T. Manual Shutoff Valve
8	141167	1	1/2" N.P.T. Pilot Gas Regulator
9	141067	2	1/2" N.P.T. Pilot Gas Solenoid Valve
10	143140	1	Elbow 3/8" Flare x 3/8" M.P.T.
11	141310	1	1" PSIG - 2" N.P.T. Gas Regulator
12	141169	2	Manual Shutoff Valve with Tap
13	143262	1	3/8" to 1/4" Brass Reducing Bushing

<u>Illus. No.</u>	<u>Part No.</u>	<u>Qty.</u>	<u>Description</u>
14	142517	1	2" Close Nipple
15	142930	1	1-1/2" x 1/2" Reducing Coupling
16	142592	3	2" x 4" Long Nipple, Bi
17	142542	2	2" Union
18	142704	1	1/2" x 4" Bi Nipple
19	141063	1	Hi/Low Gas Pressure Switch
20	143286	1	3/8" Tube x 1/4" M.P.T., 45° Flare Male Connector
21	143268	1	1/8" Brass Street Elbow
22	142716	1	1/2" x 6" Bi Nipple
23	141127	1	280 RAH Air Heat Burner Position #4
24	143141	1	3/8" Tube x 1/4" M.P.T., 90° Elbow, 45° Flare
25	143148	8	3/8" Stainless Steel Tubing (sold by the foot)
26	153016	1	5/8" Flat Washer
27	331376	1	Hi/Low Pressure Switch Bracket
28	143144	8	Long Forged Nut, 45° Flare
29	141164	1	1/2" Adjusted Orifice Pilot Gas Cock
30	143261	2	1/2" to 3/8" Brass Reducing Bushing
31	142820	3	1/2" Tee, Bi
32	168205	1	0" to 15" Water Gauge
33	141032	1	Gas Valve Train Assembly
34	154352	2	2" Pipe U-Bolt
35	820823	2	Mounting Bracket, Gas Piping
36	152005	4	5/16-16 Hex Nut
37	153005	4	3/8" Lock Washer
38	153004	4	3/8" Flat Washer
39	142451	1	2" 90° Elbow
40	142600	2	1/2" Black Union
41	150522	4	1/4-20 x 1/2" Hex Head Washer TEK Screw
42	143257	1	3/8" F.P.T. Brass Bulkhead Connector
43	143142	3	3/8" N.P.T. x 3/8" Tube Male Connector
44	141307	1	Module 220/6 Eclipse-Dungs Gas Valve
45	141086	1	Closed Position Indicator Switch
46	142925	2	2" x 2" x 1/2" Tee, Bi
47	142747	2	1/2" Pipe Plug, Bi

For Gas Models ONLY



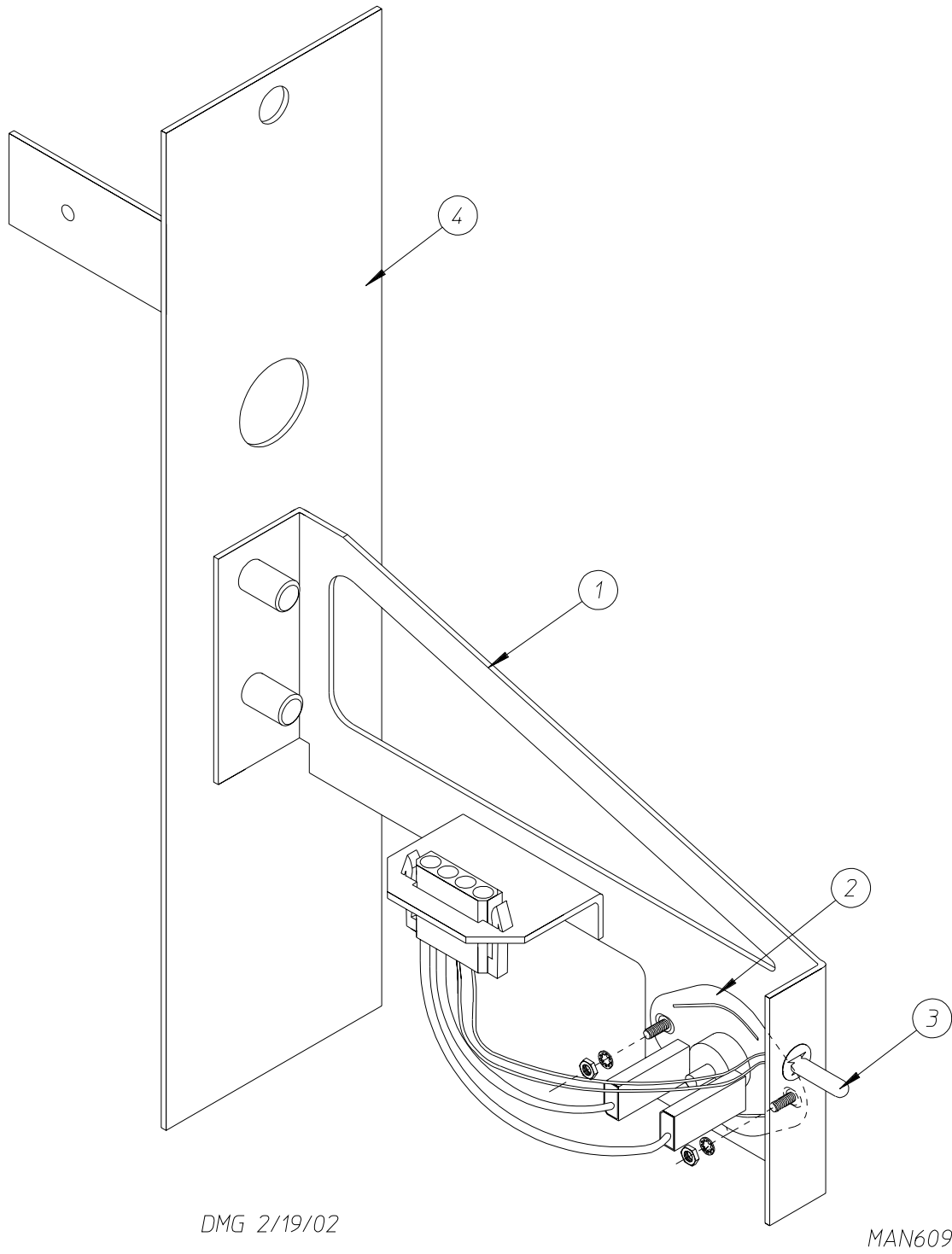
<u>Illus. No.</u>	<u>Part No.</u>	<u>Qty.</u>	<u>Description</u>
1	846731	1	Burner Box Housing Door
2	150501	4	5/16-18 x 3/4" Tap Bolt
3	153002	4	5/16" Lock Washer
4	153001	4	5/16" Flat Washer
5	116227	1	Burner Box Door Insulation
6	846731	1	Front Burner Box Housing
7	346437	1	Rear Insulation Cover
8	116228	1	Burner Box Housing Insulation
9	150600	5	3/8-16 x 1-1/2" Tap Bolt
10	153005	5	3/8" Lock Washer
11	153005	5	3/8" Lock Washer
12	153004	5	3/8" Flat Washer
13	150508	5	3/8-16 x 3/4" Hex Head Bolt
14	331851	5	Burner Box Housing Anchor Bracket
15	846728	1	Burner Box Housing
16	846732	1	Burner Box Housing Top Panel
17	153018	8	1/4" Flat Washer
18	153007	8	1/4" Lock Washer
19	150510	8	1/4-20 x 3/4" Hex Head Machine Screw



MAN5962

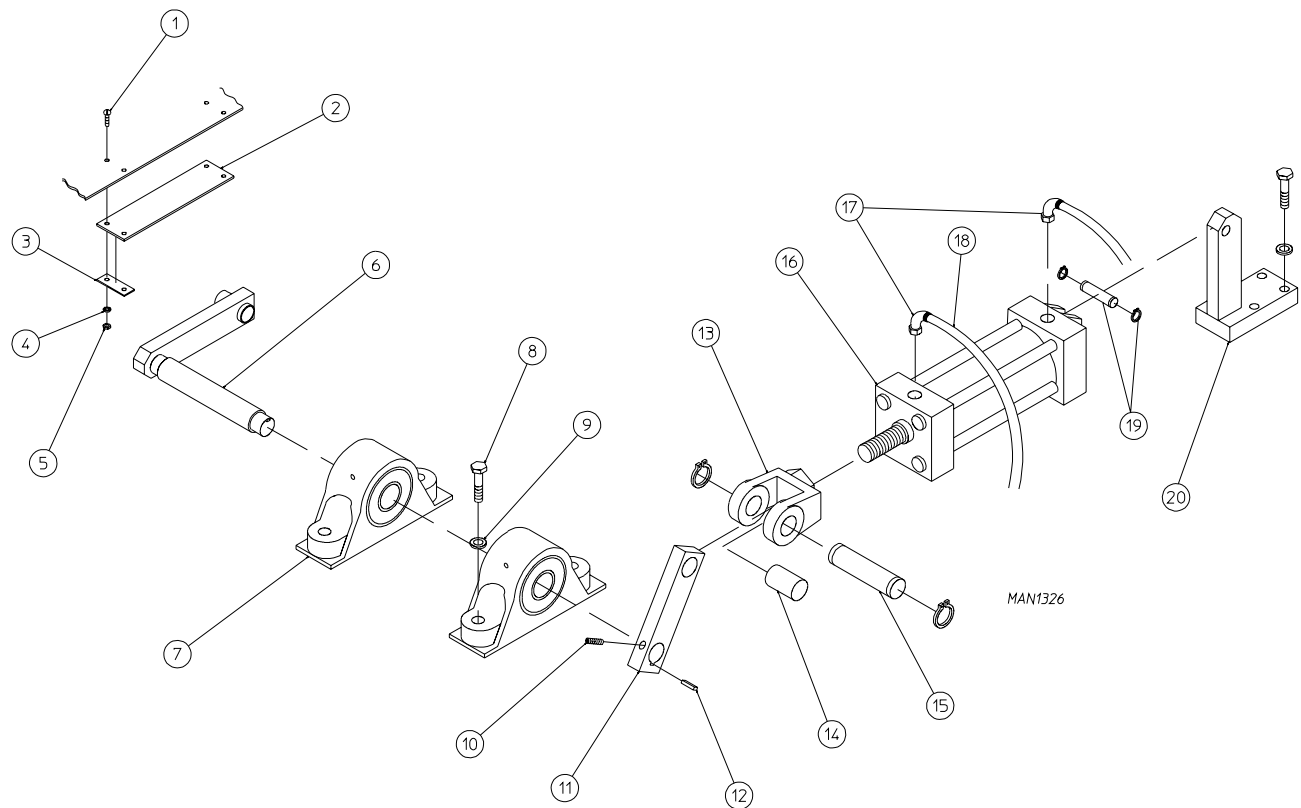
DMG 9/27/01

<u>Illus. No.</u>	<u>Part No.</u>	<u>Qty.</u>	<u>Description</u>
1	367183	1	Side Door Switch Mount
2	367184	1	Side Door Switch Guard
3	882633	1	Reed Switch Assembly
4	150309	2	#10-16 x 1/2" Hex Head TEK Crimpite Screw



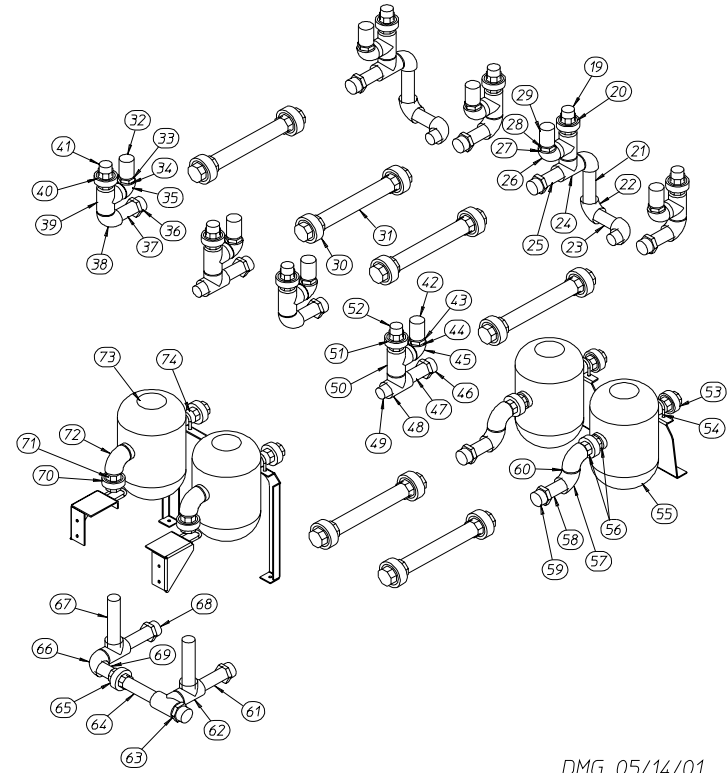
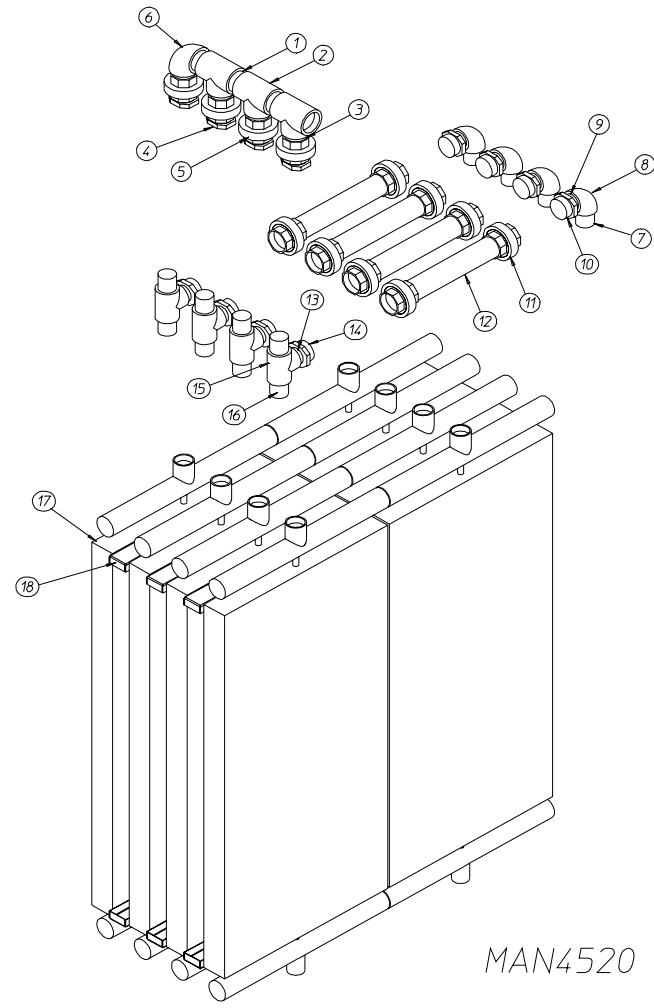
<u>Illus. No.</u>	<u>Part No.</u>	<u>Qty.</u>	<u>Description</u>
1	867122	1	Sensor Bracket
2	130202	1	235° Manual Reset Exhaust Hi-Limit
3	880251	1	1/4" Temperature Sensor Probe Kit
4	847801	1	Probe Door

For Steam Models ONLY



<u>Illus. No.</u>	<u>Part No.</u>	<u>Qty.</u>	<u>Description</u>
1	150103	4	#8-32 x 3/4" Phillips Round Head Machine Screw
2	117705	1	Sliding Pad
3	331998	2	Sliding Pad Strip
4	153012	4	#8 Star Washer
5	152001	4	#8-32 Hex Nut
6	820648	1	Lifting Linkage Assembly
7	100219	2	1-1/4" Diameter Pillow Block Bearing
8	150600	8	3/8-16 x 1-1/2" Hex Head Bolt
9	153005	8	3/8" Lock Washer
10	154327	2	1/4-20 x 3/8" Socket Setscrew
11	331935	1	Cylinder Linkage
12	100713	1	1/4" x 1/4" x 7/8" Key
13	100449	1	Clevis
14	100228	1	Cylinder Bronze Bushing
15	100487	1	Clevis Pin
16	100550	1	2-1/2" Bore x 6" Stroke Piston
17	143153	2	1/4" Poly x 1/4" M.P.T. Elbow
18	143115	40	1/4" Poly-Flo Tube (sold by the foot)
19	100487	1	Clevis Pin
20	820651	1	Damper Cylinder Mounting Plate Assembly

For Steam Models ONLY



DMG 05/14/01

For Steam Models ONLY

<u>Illus. No.</u>	<u>Part No.</u>	<u>Qty.</u>	<u>Description</u>
1	846515	1	Upper Steam Piping 2" Assembly (includes illus. nos. 1 through 6)
	142947	3	2" x 2-3/8" Nipple
2	142524	3	2" Tee
3	142517	4	2" Close Nipple
4	142940	4	2" x 1-1/2" Reducing Bushing
5	142542	4	2" Union
6	142541	1	2" 90° Elbow
7	846506	4	Upper Steam Piping Elbow Assembly (includes illus. nos. 7 through 10)
	142827	1	1-1/2" x 2-1/2" Long Nipple
8	142512	1	1-1/2" 90° Elbow
9	142948	1	1-1/2" Close Nipple
10	142940	1	2" x 1-1/5" Reducing Bushing
11	846514	4	2" Flex Pipe Assembly (includes illus. nos. 1 through 6)
	143128	1	2" x 13" Long Flex Hose
12	142542	2	2" Union
13	846516	4	Upper Steam Pipe Tee Assembly (includes illus. nos. 13 through 16)
	142827	2	1-1/2" x 2-1/2" Long Nipple
14	142940	1	2" x 1-1/2" Reducing Bushing
15	142509	1	1-1/2" Tee
16	142827	1	1-1/2" x 2-1/2" Long Nipple
17	165041	8	Steam Coil
18	348459	6	Steam Coil Spacer
19	846512	1	Lower Steam Piping Right Side Assembly (includes illus. nos. 19 through 29)
	142711	5	1" Close Nipple
20	142602	1	1" Union
21	142581	1	1" x 5" Nipple
	142941	1	1-1/4" x 1" Reducing Bushing
22	142548	3	1" 90° Elbow
23	142724	1	1" x 2" Nipple
24	142508	2	1" Tee
25	142946	1	1" x 3-3/4" Pipe Nipple
26	142942	1	1" Street Elbow
27	142911	1	1" x 1/2" Reducing Bushing
28	142700	1	1/2" Close Nipple
29	165227	1	Vacuum Breaker

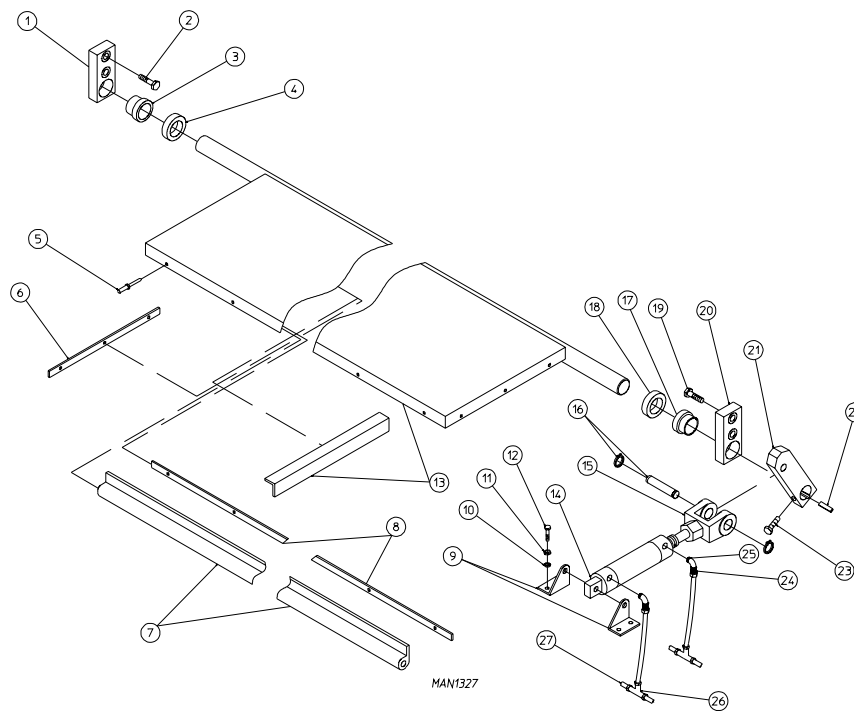
For Steam Models ONLY

<u>Illus. No.</u>	<u>Part No.</u>	<u>Qty.</u>	<u>Description</u>
30	846507	1	1-1/4" Flex Hose Assembly (includes illus. nos. 30 and 31)
	142558	2	1-1/4" Union
31	143119	1	1-1/4" x 11-3/8" Flex Hose
32	846509	1	Lower Steam Piping 1" Elbow Assembly (includes illus. nos. 32 through 41)
	165227	1	Vacuum Breaker
33	142700	1	1/2" Close Nipple
34	142911	1	1" x 1/2" Reducing Bushing
35	142942	1	1" Street Elbow
36	142941	1	1-1/4" x 1" Reducing Bushing
37	142584	1	1" x 4-1/2" Black Nipple
38	142548	1	1" 90° Elbow
39	142508	1	1" Tee
40	142602	1	1" Union
41	142711	3	1" Close Nipple
42	846510	1	Lower Steam Piping Tee Assembly (includes illus. nos. 42 through 52)
	165227	1	Vacuum Breaker
43	142700	1	1/2" Close Nipple
44	142911	1	1" x 1/2" Reducing Bushing
45	142942	1	1" Street Elbow
46	142941	1	1-1/4" x 1" Reducing Bushing
47	142946	1	1" x 3-3/4" Pipe Nipple
48	142508	1	1" Tee
49	142711	2	1" Close Nipple
50	142508	1	1" Tee
51	142602	1	1" Union
52	142711	2	1" Close Nipple
53	846511	1	Low Side Steam Trap Assembly (includes illus. nos. 53 through 60)
	142602	1	1" Union
54	142808	1	1" x 3" Nipple
55	165226	1	Inverted Bucket Trap
56	142711	2	1" Close Nipple
57	142548	2	1" 90° Elbow
58	142946	1	1" x 3-3/4" Pipe Nipple
59	142941	1	1-1/4" x 1" Reducing Bushing
60	142724	1	1" x 2" Nipple
61	846513	1	Lower Steam Piping Left Side Assembly (includes illus. nos. 61 through 69)
62	142508	3	1" Tee

For Steam Models ONLY

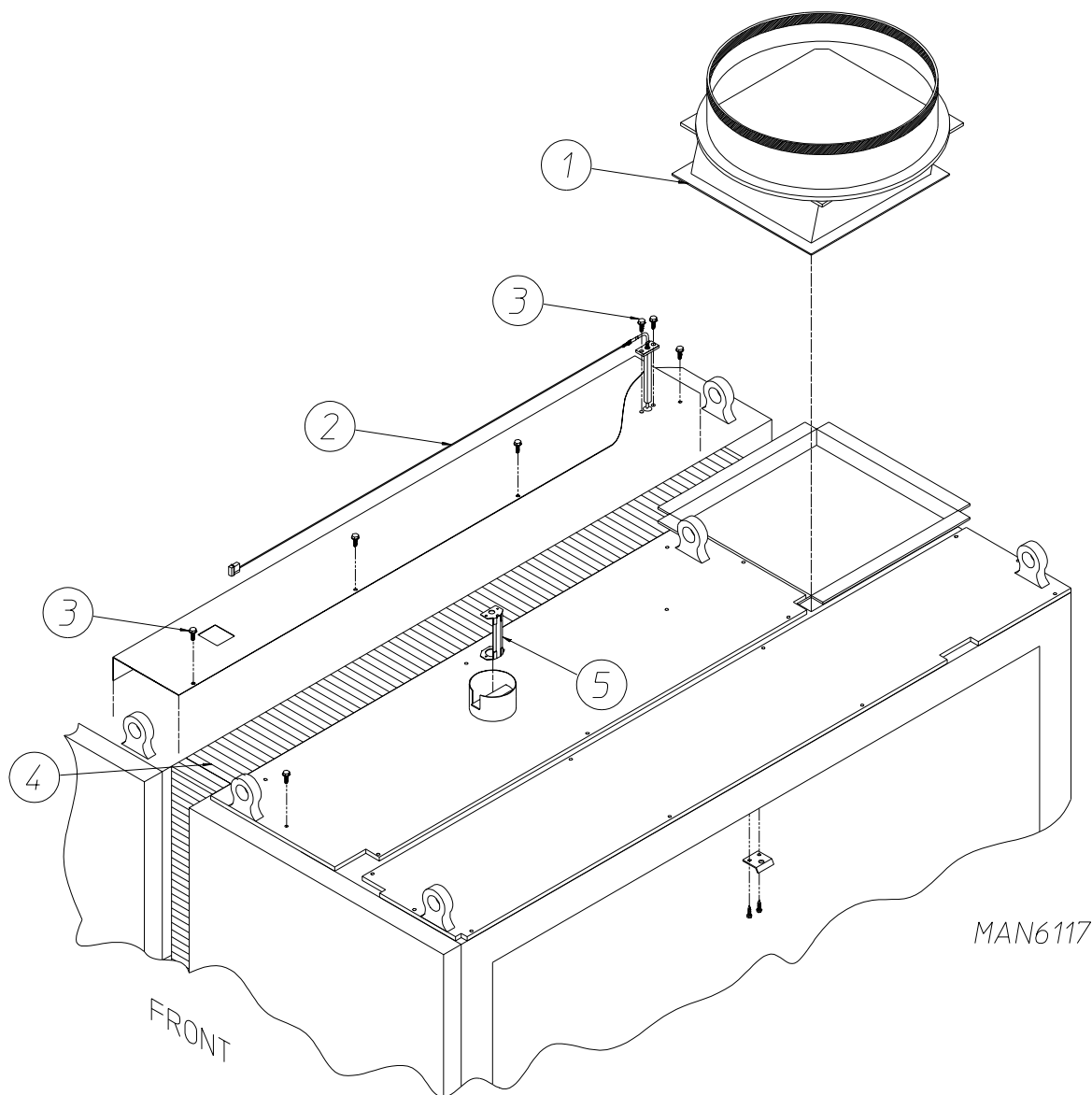
<u>Illus. No.</u>	<u>Part No.</u>	<u>Qty.</u>	<u>Description</u>
63	142711	3	1" Close Nipple
64	142945	1	1" x 5-1/2" Pipe Nipple
65	142602	1	1" Union
66	142548	1	1" 90° Elbow
67	142943	2	1" x 6-1/2" Nipple
68	142941	3	1-1/4" x 1" Reducing Bushing
69	142808	1	1" x 3" Nipple
70	846508	1	High Side Steam Trap Assembly (includes illus. nos. 70 through 74)
	142602	2	1" Union
71	142711	2	1" Close Nipple
72	142548	1	1" 90° Elbow
73	165226	1	Inverted Bucket Trap
74	142808	1	1" x 3" Nipple

For Steam Models ONLY



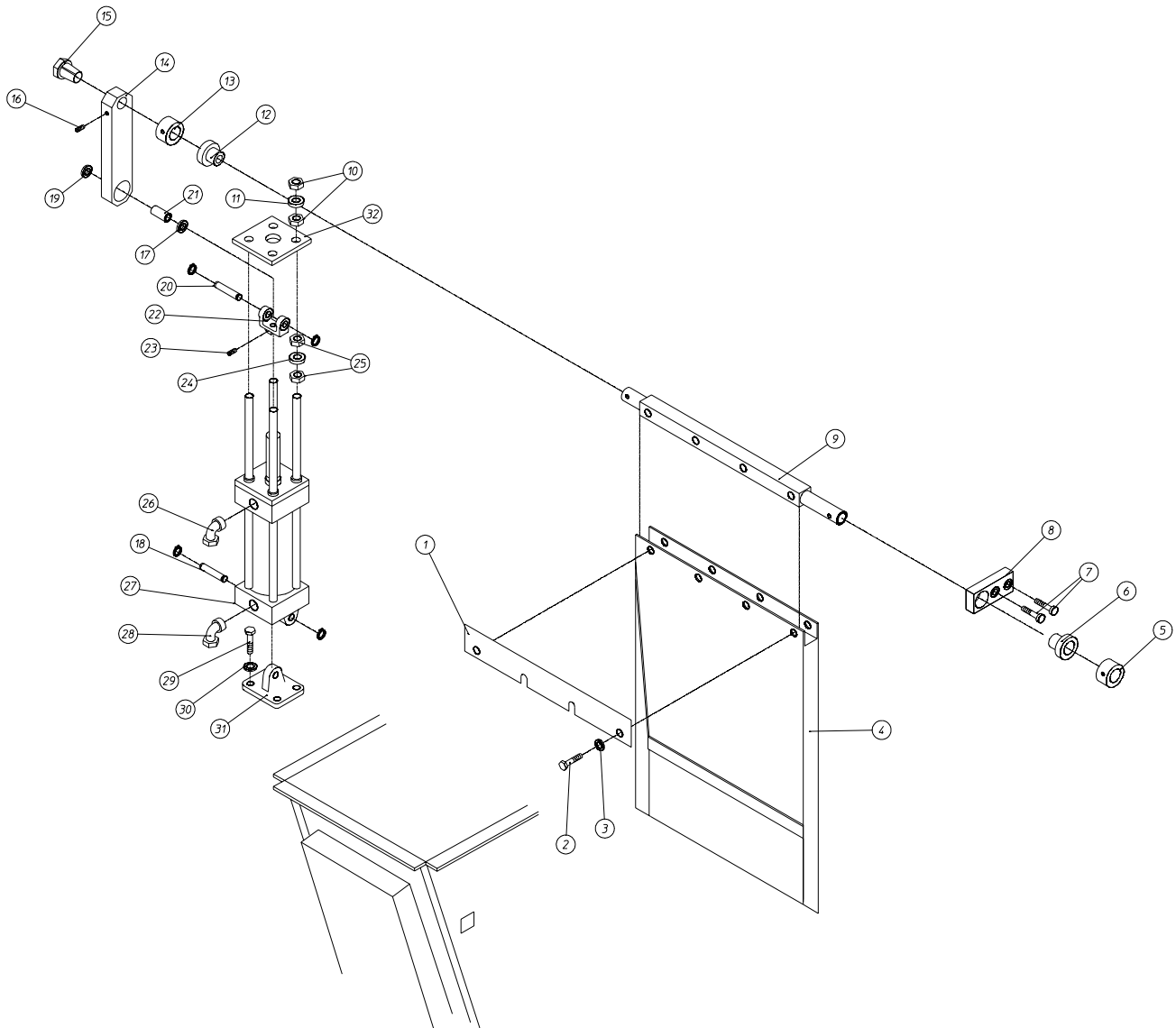
<u>Illus. No.</u>	<u>Part No.</u>	<u>Qty.</u>	<u>Description</u>
1	331618	1	Pivot Shaft Mounting Block
2	150437	4	3/8-16 x 1-1/4" Flat Socket Head Bolt
3	100227	2	Flanged Bronze Bushing
4	101174	2	Shaft Collar
5	154200	20	5/32" Pop Rivet
6	331364	3	Gasket Retainer Clip
7	102315	9	Extruded Gasket (sold by the foot)
8	331931	2	ADS-464 Long Retainer Strip
9	100500	1	Left and Right Piston Support
10	153007	4	1/4" Lock Washer
11	152002	4	1/4-20 Hex Nut
12	150510	4	1/4-20 x 3/4" Hex Head Bolt
13	846809	1	Intake Air Damper Assembly
14	100524	1	1-1/2" Bore x 3" Stroke Piston
15	100447	1	7/16-20 Clevis Rod
16	100445	1	1/2" Clevis Pin
17	100227	2	Flanged Bronze Bushing
18	101174	2	Shaft Collar
19	150437	4	3/8-16 x 1-1/4" Flat Socket Head Bolt
20	331618	2	Pivot Shaft Mounting Block
21	331927	1	Lever Arm
22	100700	1	1/4" x 1/4" x 1-7/16" Key
23	154304	2	1/4-20 x 3/8" Knurled Socket Setscrew
24	100472	2	1/4" Poly x 1/4" M.P.T. Connector
25	143268	2	1/8" Brass Street Elbow
26	143156	2	1/4" Poly Tee
27	143115	24	1/4" Poly Tube (sold by the foot)

For Gas Models ONLY



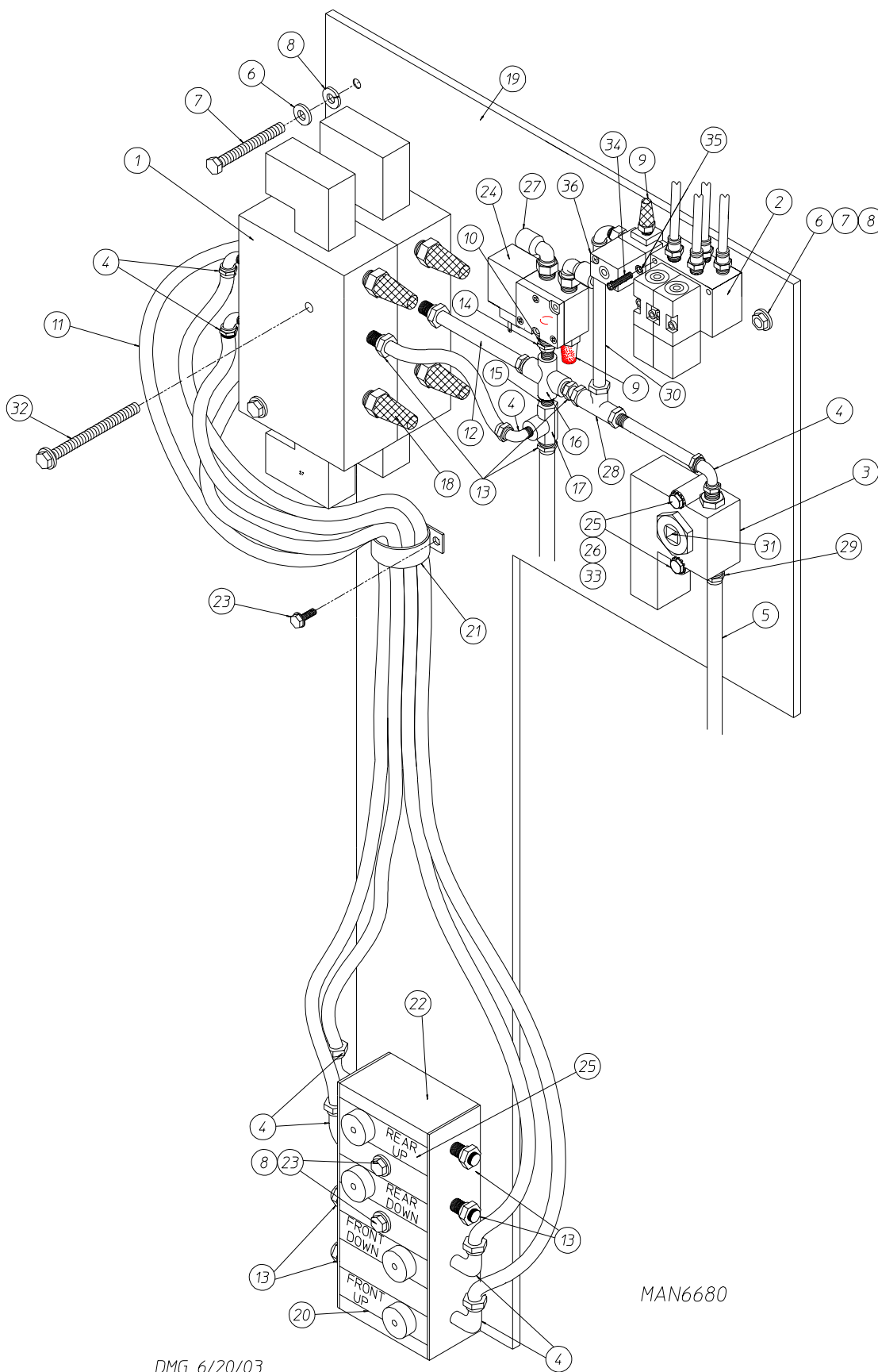
DMG 3/25/02

Illus. No.	Part No.	Qty.	Description
1	846796	1	Exhaust Transition Piece
2	822752	1	1-1/4" Probe for Fire Suppression System (for models mfd. as of April 24, 2002)
	880986	1	9" 100Ω Resistance Temperature Detector (RTD) Probe (for models mfd. prior to April 24, 2002)
3	150522	24	1/4-20 x 1/2" Hex Head TEK Screw
4	-----	1	Console Brush Assembly (refer to Console Brush Assembly on page 25)
5	847300	1	Oven Burner Sensor Bracket Assembly Complete
	130403	1	330° Auto Reset Hi-Limit ONLY



MAN3311A

<u>Illus. No.</u>	<u>Part No.</u>	<u>Qty.</u>	<u>Description</u>
1	346420	1	Heat Reclaimer Damper Top Plate
2	150606	4	1/2-13 x 2" Tap Bolt
3	153026	4	1/2" Lock Washer
4	846722	1	Heat Reclaimer Damper Panel ONLY
5	101174	1	Shaft Collar
6	100227	1	Flanged Bronze Bushing
7	150437	2	3/8-16 x 1-1/4" Flat Head Socket Bolt
8	331618	1	Mounting Block
9	346423	1	Pivot Shaft
10	152033	8	5/16-24 Hex Nut
11	153002	4	5/16" Lock Washer
12	100227	1	Flanged Bronze Bushing
13	101174	1	1" Bore Shaft Collar
14	331605	1	Lever Arm
15	180006	1	1" Trantorque
16	154304	1	1/4-20 x 3/8" Knurled Socket Setscrew
17	153028	2	3/4" I.D. Teflon Washer
18	100541	1	Heat Reclaimer Base Pin
19	153028	2	3/4" I.D. Teflon Washer
20	100487	1	Clevis Pin
21	100228	1	Bronze Cylindrical Bearing
22	100449	1	3/4-16 Clevis Rod
23	154304	1	1/4-20 x 3/8" Knurled Socket Setscrew
24	153002	4	5/16" Lock Washer
25	152033	8	5/16-24 Hex Nut
26	143153	1	1/4" x 1/4" M.P.T. Elbow
27	100550	1	2-1/2" Bore x 6" Stroke Heat Reclaimer Piston
28	143153	1	1/4" x 1/4" M.P.T. Elbow
29	150501	4	5/16-18 x 3/4" Tap Bolt
30	153002	4	5/16" Lock Washer
31	100446	1	Eye Bracket
32	331713	1	Cylinder Rest Plate

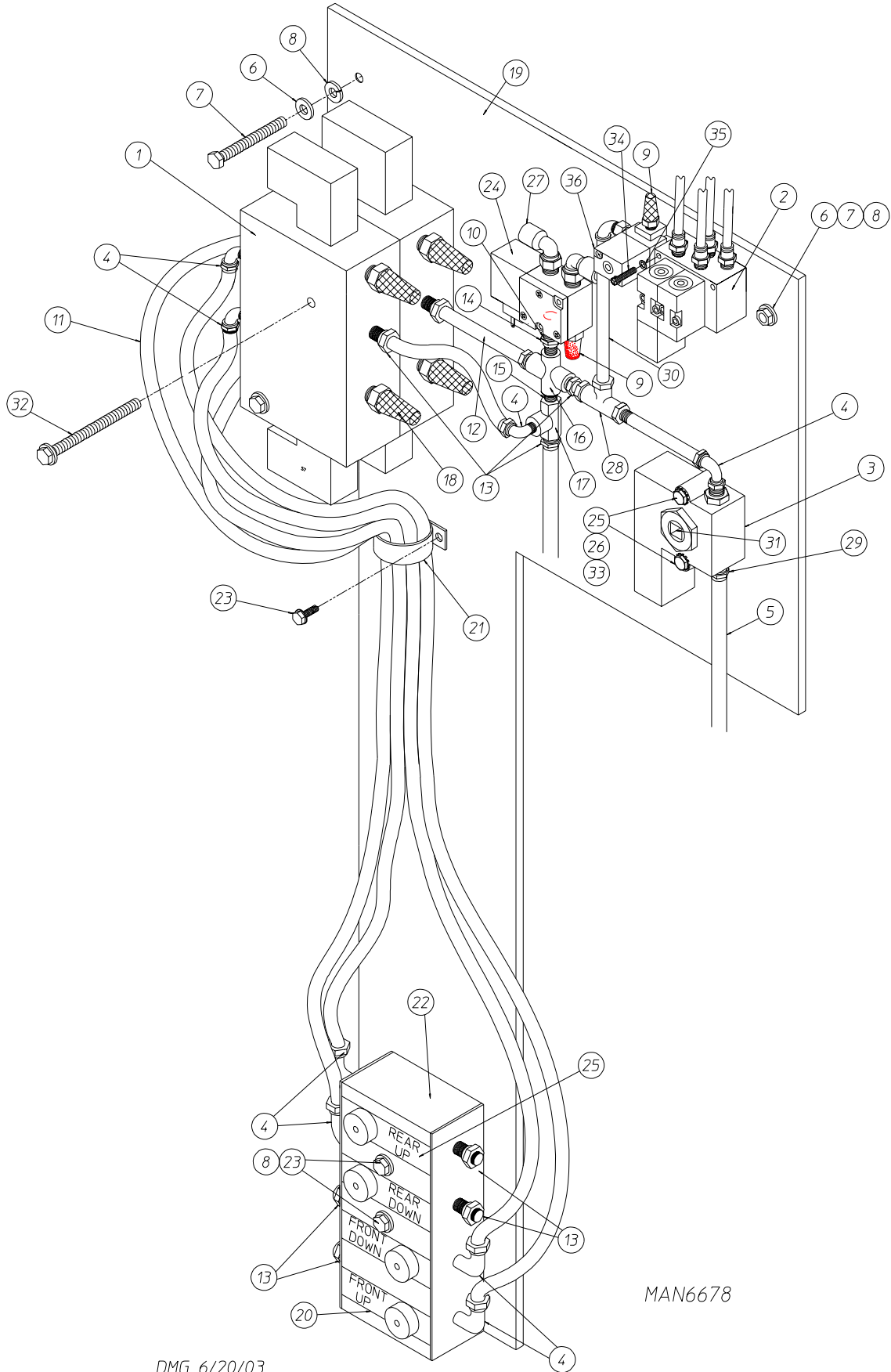


DMG 6/20/03

2 Door/2-Way Tilt

<u>Illus. No.</u>	<u>Part No.</u>	<u>Qty.</u>	<u>Description</u>
1	100573	2	5-Port/3-Position 1/2" N.P.T. Valve
2	100521	1	2-Station Manifold Valve Stack Assembly
3	100578	1	3/8" N.P.T. Mac Air Jet Valve
4	143231	10	3/8" Poly x 3/8" M.P.T. 90° Brass Elbow
5	141212	1	Air Jet Tube
6	153018	4	1/4" Flat Washer
7	150513	4	1/4-20 x 2-1/4" Bolt
8	153007	8	1/4" Lock Washer
9	100520	3	1/8" N.P.T. Silencer
10	143238	1	1/8" Brass Close Nipple
11	143120	9	3/8" Poly-Flo Tube (sold by the foot)
12	143242	1	3/8" x 2-1/2" Brass Nipple
13	143283	7	3/8" Poly x 3/8" M.P.T. Straight Brass Connector
14	143160	1	3/8" to 1/8" Reducing Bushing
15	143241	3	3/8" Close Nipple
16	143236	1	3/8" Brass Cross
17	143220	1	3/8" Brass Tree
18	100462	4	3/8" Muffler
19	847609	1	Phase 7 Pneumatic Panel
20	143206	4	3/8" Flow Controls
21	120501	1	Jiffy Clip
22	331872	1	4-Position Flow Control Mounting Bracket
23	150522	3	1/4-20 x 1/2" Hex Head TEK Screw
24	100585	1	Heat Reclaimer Valve Stack
25	100524	2	1/4-20 x 1" Large Hex Head Crimptite Screw
26	153007	4	1/4" Lock Washer
27	100577	1	24 VAC, 2-Port, 2-Position Double Solenoid Valve
28	143157	1	3/8" x 3/8" x 1/4" Poly Reducing Tee
29	143208	1	3/8" Composite x 3/8" M.P.T. Brass Connector
30	143110	1*	1/4" Poly-Flo Tube
31	143251	1	Brass Plug
32	150444	2	1/4-20 x 3-1/2" Hex Head Crimptite Screw
33	152002	2	1/4-20 x 3-1/2" Hex Nut
34	150109	2	#8-32 x 2" Phillips Round Head Machine Screw
35	153012	2	#8 Internal Star Washer
36	100545	1	24 VAC Machine Single Solenoid Valve

* Sold by the foot.



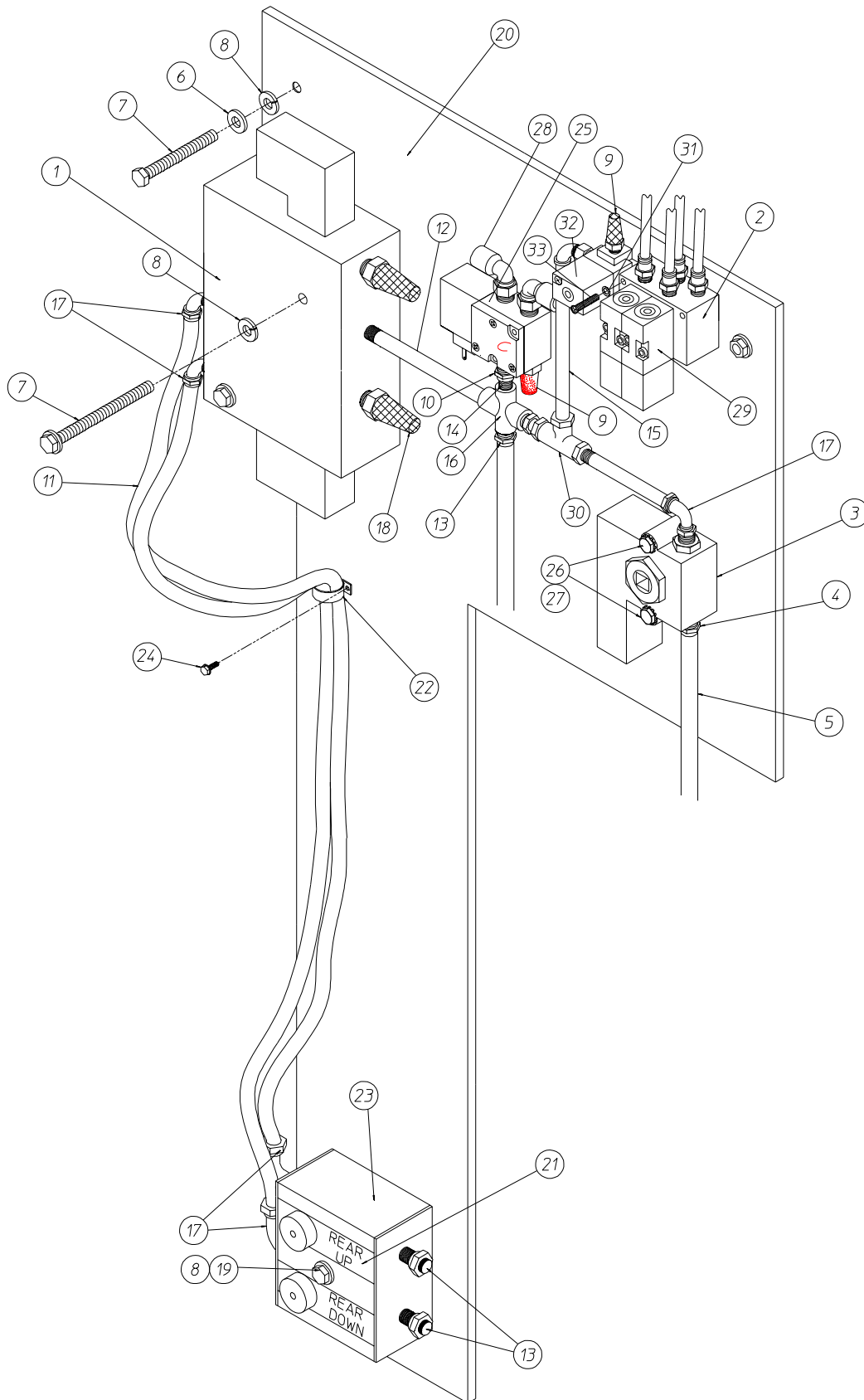
MAN6678

DMG 6/20/03

1 Door/2-Way Tilt

<u>Illus. No.</u>	<u>Part No.</u>	<u>Qty.</u>	<u>Description</u>
1	100573	2	5-Port/3-Position 1/2" N.P.T. Valve
2	100521	1	2-Station Manifold Valve Stack Assembly
3	100578	1	3/8" N.P.T. Mac Air Jet Valve
4	143231	10	3/8" Poly x 3/8" M.P.T. 90° Brass Elbow
5	141212	1	Air Jet Tube
6	153018	4	1/4" Flat Washer
7	150513	4	1/4-20 x 2-1/4" Bolt
8	153007	8	1/4" Lock Washer
9	100520	3	1/8" N.P.T. Silencer
10	143238	1	1/8" Brass Close Nipple
11	143120	9	3/8" Poly-Flo Tube (sold by the foot)
12	143242	1	3/8" 3/8" x 2-1/2" Brass Nipple
13	143283	7	3/8" Poly x 3/8" M.P.T. Straight Brass Connector
14	143160	1	3/8" to 1/8" Reducing Bushing
15	143421	3	3/8" Close Nipple
16	143236	1	3/8" Brass Cross
17	143220	1	3/8" Brass Tree
18	100462	4	3/8" Muffler
19	847609	1	Phase 7 Pneumatic Panel
20	143206	4	3/8" Flow Controls
21	120501	1	Jiffy Clip
22	331872	1	4-Position Flow Control Mounting Bracket
23	150522	3	1/4-20 x 1/2" Hex Head TEK Screw
24	100575	1	Sprinkler/Heat Reclaimer Valve Stack
25	150524	2	1/4-20 x 1 Large Hex Head Crimptite Screw
26	153007	4	1/4 Washer
27	100577	1	24 VAC, 2-Port, 2-Position Double Solenoid Valve
28	143157	1	3/8" x 3/8" x 1/4" Poly Reducing Tee
29	143208	1	3/8" Composite x 3/8" M.P.T. Brass Connector
30	143110	*	1/4" Poly-Flo Tube
31	143251	1	Brass Plug
32	150444	2	1/4-20 x 3-1/2" Hex Head Crimptite Screw
33	152002	2	1/4-20 x 3-1/2" Hex Nut
34	150109	2	#8-32 x 2" Phillips Round Head Machine Screw
35	153012	2	38 Internal Star Washer
36	100545	1	24 VAC Machine Single Solenoid Valve

* Sold by the foot.

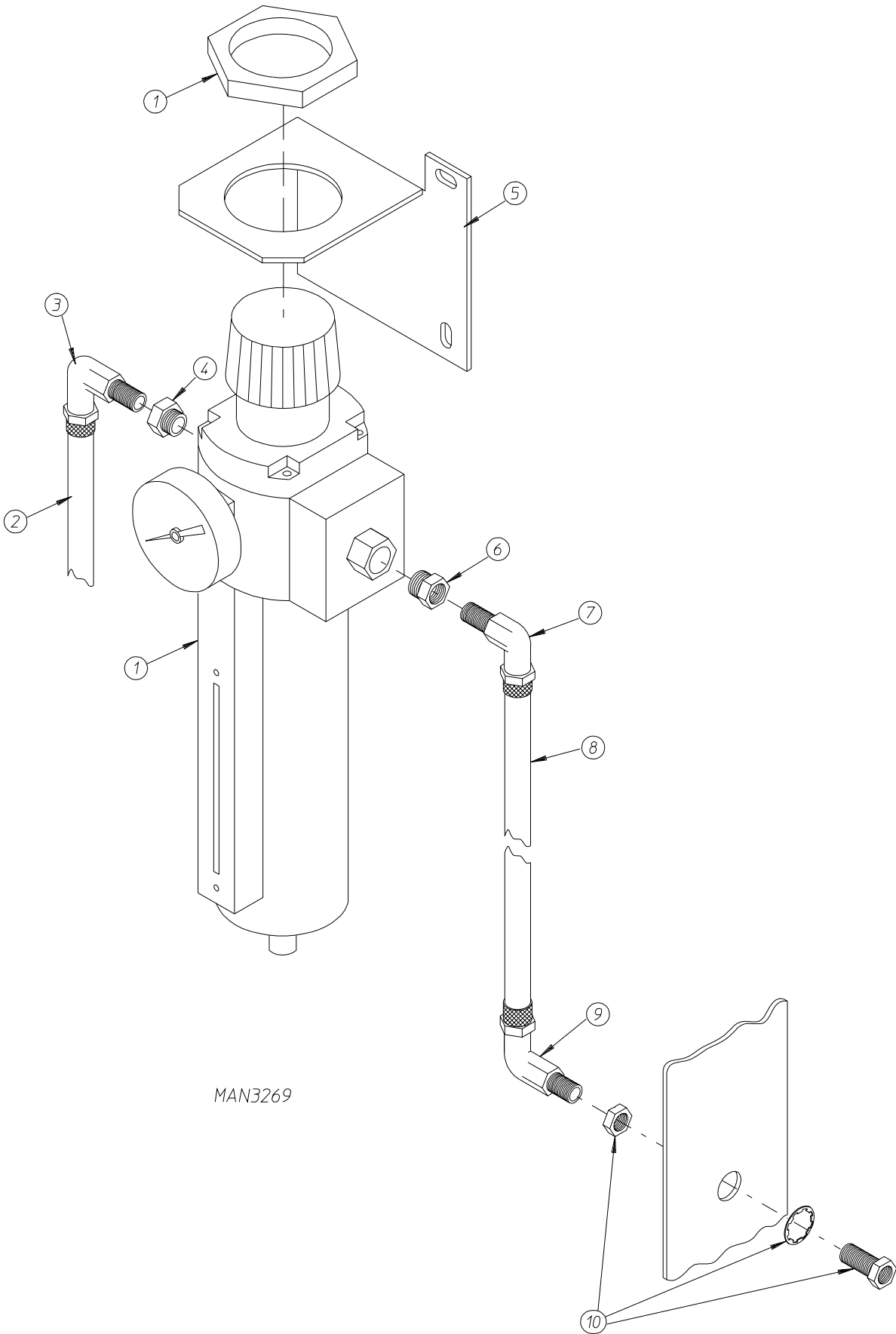


MAN6681

2 Door/1-Way Tilt

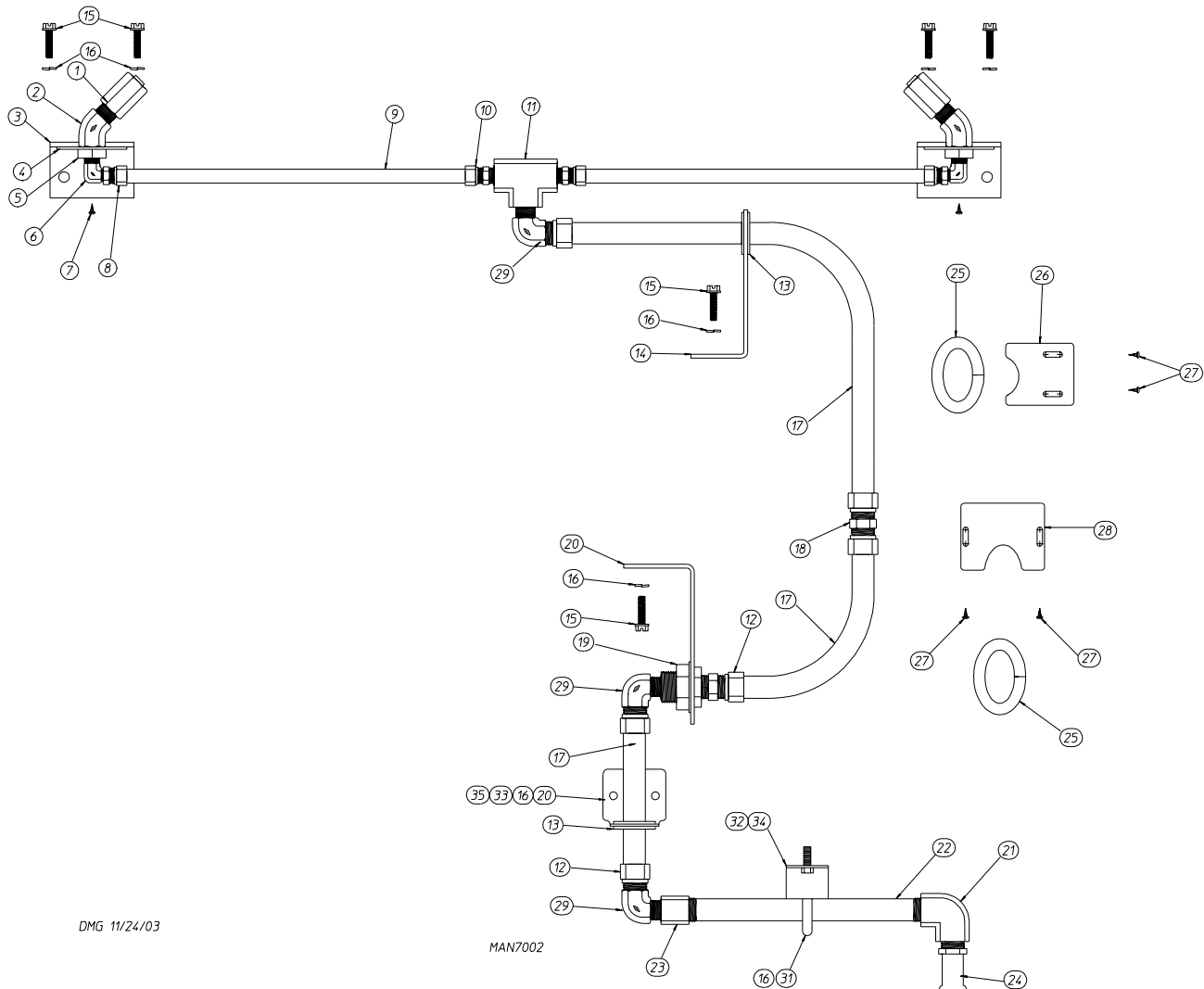
<u>Illus. No.</u>	<u>Part No.</u>	<u>Qty.</u>	<u>Description</u>
1	100573	1	5-Port/3-Position 1/2" N.P.T. Valve
2	100521	1	2-Station Manifold Valve Stack Assembly
3	100578	1	3/8" N.P.T. Mac Air Jet Valve
4	143208	1	3/8" Composite x 3/8" M.P.T. Brass Connector
5	141212	1	Air Jet Tube
6	153018	4	1/4" Flat Washer
7	150513	6	1/4-20 x 2-1/4" Bolt
8	153007	8	1/4" Lock Washer
9	100520	3	1/8" N.P.T. Silencer
10	143238	1	1/8" Brass Close Nipple
11	143120	6	3/8" Poly-Flo Tube (sold by the foot)
12	143242	1	3/8" x 2-1/2" Brass Nipple
13	143283	5	3/8" Poly x 3/8" M.P.T. Straight Brass Connector
14	143160	1	3/8" to 1/8" Reducing Bushing
15	143110	*	1/4" Poly-Flo Tube
16	143236	1	3/8" Brass Cross
17	143213	4	3/8" Poly x 3/8" M.P.T. 90° Elbow
18	100462	2	3/8" Muffler
19	150512	1	1/4-20 x 1/2" Bolt
20	847609	1	Phase 7 Pneumatic Panel
21	143206	2	3/8" Flow Controls
22	120501	1	1" Jiffy Clip
23	331841	1	2-Position Flow Control Mounting Bracket
24	150522	1	1/4-20 x 1/2" Hex Head TEK Screw
25	100575	1	Sprinkler/Heat Reclaimer Valve Stack
26	150106	2	#8-32 x 1" Setscrew
27	153012	2	#8 Star Washer
28	100577	1	24 VAC, 2-Port, 2-Position Double Solenoid Valve
29	100545	1	24 VAC 120 PSI Mac Solenoid Valve
30	143157	1	3/8" x 3/8" x 1/4" Poly Reducing Tee
31	153012	2	#8 Internal Star Washer
32	100545	1	24 VAC Machine Single Solenoid Valve
33	150109	2	#8-32 x 2" Phillips Round Head Machine Screw

* Sold by the foot.



<u>Illus. No.</u>	<u>Part No.</u>	<u>Qty.</u>	<u>Description</u>
1	100478	1	1/2" N.P.T. Filter/Regulator Assembly
2	143120	*	Poly-Flo Tubing
3	143155	1	3/8" Street Elbow
4	143162	1	1/2" to 3/8" Reducing Bushing
5	332640	1	Filter/Regulator Mounting Bracket
6	143162	1	1/2" to 3/8" Reducing Bushing
7	143155	1	3/8" Street Elbow
8	143120	*	Poly-Flo Tubing
9	143155	1	3/8" Street Elbow
10	143257	1	3/8" Bulkhead Fitting

* Sold by the foot.



Illus. No.	Part No.	Qty.	Description
1	143581	4	3 GPM 3/8" N.F.P.T. Spray Nozzle
2	143301	4	3/8" Brass 45° Street Elbow
3	346791	2	Nozzle Mounting Bracket
4	311588	4	Sprinkler Head Mounting Plate
5	143303	4	3/8" Brass N.P.T. Lock Nut
6	143320	2	3/8" Composite x 3/8" M.P.T. Brass Male Elbow
7	150301	8	#8-18 x 7/16" Phillips Pan Head TEK Screw
8	143316	2	1/2" Composite x 3/8" M.P.T. Brass Male Connector
9	143104	2'	1/2" OD x 0.035" Wall Copper Tubing
10	143326	2	1/2" Composite x 1/2" M.P.T. Brass Male Connector
11	143228	1	1/2" Brass Tee

For Models Mfd. as of April 24, 2002

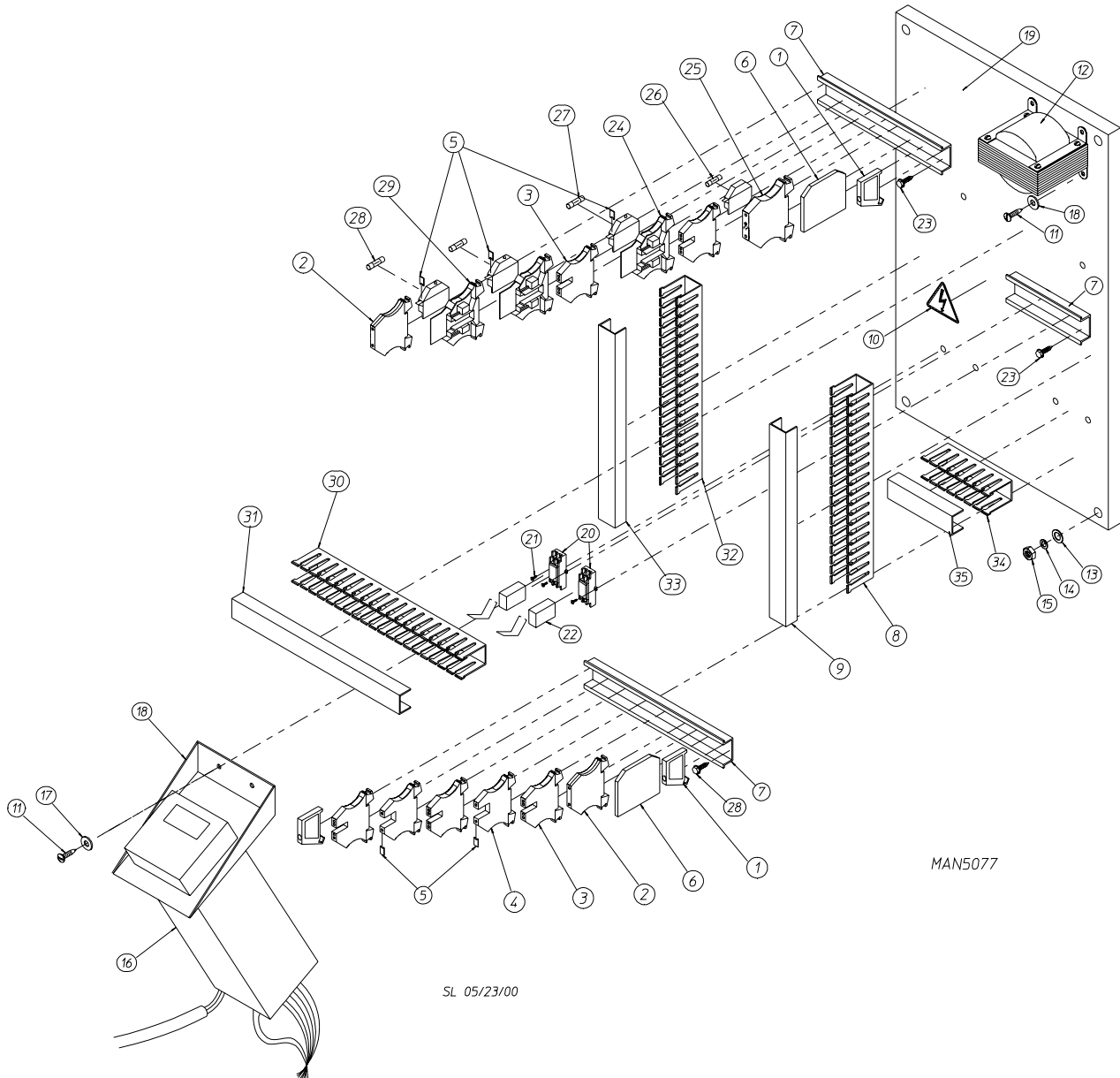
<u>Illus. No.</u>	<u>Part No.</u>	<u>Qty.</u>	<u>Description</u>
12	143325	2	3/4" Composite x 1/2" M.P.T. Brass Male Connector
13	121406	2	3/4" ID Rubber Grommet
14	346795	1	Vibration Bracket
15	150523	6	1/4-20 x 3/4" Self Tap Bolt
16	153007	12	1/4" Lock Washer
17	143105	12	3/4" OD x 0.035" Wall Copper Tubing
18	143330	1	3/4" Composite x 3/4" Composite Union
19	182595	1	1/2" Bulkhead Connector
20	346795	1	Tube Support Bracket
21	143226	1	1/2" Brass Street Elbow
22	143331	1	1/2" x 10" Brass Nipple
23	143333	1	1/2" N.P.T. Brass Coupling
24	143328	1	3/4" OD Brass Beaded Hose Nipple x 1/2" M.N.P.T.
25	180314	1'	Rubber Bumper Strip Cushion
26	346794	1	Block Off Plate #1
27	150311	4	#10-16 x 3/4" Phillips Hex Head Type 1
28	346793	1	Block Off Plate #2
29	143329	3	3/4" Composite x M.N.P.T. Male Elbow
30			
31	154355	1	U-Bolt for 1/2" Pipe
32	150510	2	1/4-20 x 3/4" Hex Head Machine Bolt
33	152002	4	1/4-20 Hex Nut
34	346657	1	Suppression System Pipe Bracket
35	153557	2	1/4-20 x 3/4" Clinch Stud
-	182579	2	3/8" M.P.T. x 3/8" M.P.T. Brass Hex Nipple – Not Illustrated
-	143099	2'	3/8" OD x 0.035" Wall Copper Tubing – Not Illustrated
-	143208	2	3/8" Composite x 3/8" M.P.T. Brass Male Connector – Not Illustrated
-	143220	2	3/8" Brass Tee – Not Illustrated

For Models Mfd. as of April 24, 2002

<u>Illus. No.</u>	<u>Part No.</u>	<u>Qty.</u>	<u>Description</u>
1	143137	2	Worm Drive Hose Clamp
2	143111	*	3/4" ID EPDM Rubber Hose
3	143328	1	3/4" OD Brass Beaded Hose Nipple x 1/2" M.N.P.T.
4	143226	1	1/2" Brass Street Elbow
5	182595	2	1/2" Brass Bulkhead Connector
6	346792	6	Upper Bulkhead Bracket
7	153007	2	1/4" Lock Washer
8	150523	2	1/4-20 x 3/4" Self Tap Bolt
9	182578	1	1/2" Hex Nipple
10	143322	3	1/2" Brass M.N.P.T. Plug
11	182601	1	1/2" Brass Pipe Cross
12	165114	1	Suppression Solenoid Valve 24V 50/60 Hz
13	182523	2	1/2" x 3/8" Brass Bushing
14	143228	1	1/2" Brass Tee
15	143105	*	3/4" OD x 0.035" Wall Copper Tubing
16	143331	1	1/2" x 10" Brass Nipple
17	143323	1	3/8" x 3" Brass Nipple
18	143220	1	3/8" Brass Tee
19	143315	1	3/8" x 1/8" Brass Bushing
20	136987	1	Pressure Sensor
21	143327	1	1" x 1/2" Brass Reducing Coupling
22	346797	1	Suppression Assembly Mounting Plate
-	334723	1	Suppression Assembly Cover Bottom – Not Illustrated
-	334722	1	Suppression Assembly Cover Top – Not Illustrated
23	143325	2	3/4" Composite x 1/2" M.N.P.T. Brass Male Connector

* Sold by the foot.

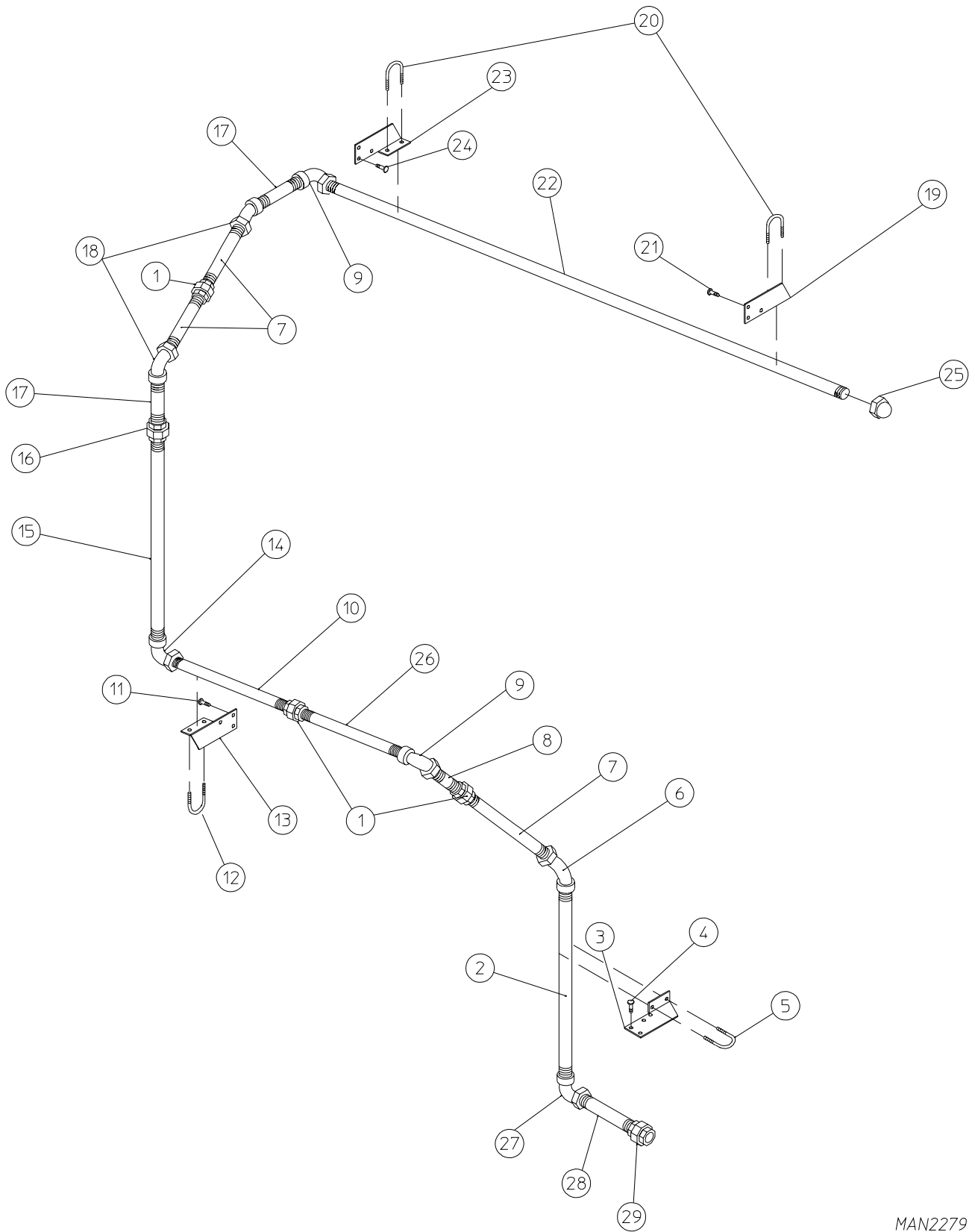
For Models Mfd. prior to April 24, 2002



For Models Mfd. prior to April 24, 2002

<u>Illus. No.</u>	<u>Part No.</u>	<u>Qty.</u>	<u>Description</u>
1	120765	2	Standard End Stop
2	120750	2	Ground Terminal Block
3	120761	8	4-Position Feed Through Terminal Block
4	120758	7	Feed Through Terminal Block
5	120999	5	Blank Marking Tags
6	120766	2	End Section
7	120768	16	35 x 15mm Din Mounting Rail
8	121429	12	Slotted Wall Wire Duct
9	121422	12	1" Wireway Cover
10	122424	1	Power Warning Label
11	150108	6	#8-32 x 1/2" Phillips Pan Head Machine Screw
12	132091	1	208/240v to 120v Transformer
	132092	1	380/400v to 120v Transformer
	132006	1	416v to 120v Transformer
	132078	1	480v to 120v Transformer
13	153004	4	3/8" Flat Washer
14	153005	4	3/8" Lock Washer
15	152005	4	3/8-16 Hex Nut
16	881249	1	°C/°F Digital Temperature Controller Assembly
17	153000	6	#8 Flat Washer
18	333002	1	Sprinkler Mounting Bracket
19	334269	1	Sprinkler Panel ONLY
	814332	1	Sprinkler Panel Assembly Complete (includes illus. nos. 1 through 35)
20	131410	2	Double-Pole-Double-Throw (DPDT) Relay Socket
21	131411	4	Hold Down for Double-Pole-Double-Throw (DPDT) Relay
22	131405	2	Relay 10-amp 120v Coil
23	150300	10	#10-16 x 1/2" TEK Screw
24	120756	1	1/4" Fuse Terminal Block with Light Emitting Diode (L.E.D.)
25	120754	1	5 x 20mm Fuse Terminal Block with Light Emitting Diode (L.E.D.)
26	136039	1	5 x 20mm 1/4 amp
27	136033	1	3-amp Fuse
28	136050	1	1-amp (Slo-Blo) Fuse 208/240v ONLY
	136057	1	5-amp (Slo-Blo) Fuse 380-460v ONLY
29	120721	2	Fused Disconnect Terminal Block
30	121422	8	1" Wireway Cover
31	121429	8	Slotted Wall Wire Duct
32	121429	14	Slotted Wall Wire Duct
33	121422	14	1" Wireway Cover
34	121429	4	Slotted Wall Wire Duct
35	121422	4	1" Wireway Cover
	880986	1	100Ω Resistance Temperature Detector (RTD) Probe (for models mfd. prior to April 24, 2002)

For Models Mfd. prior to April 24, 2002

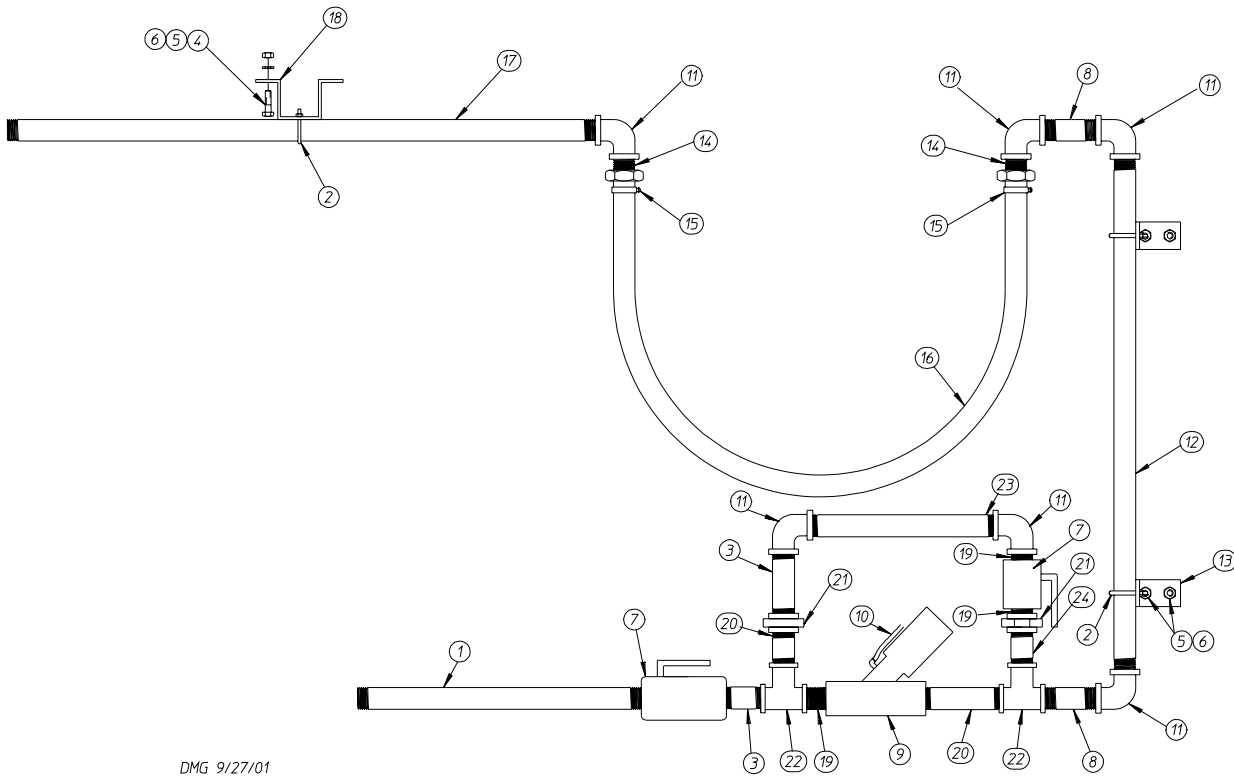


MAN2279

For Models Mfd. prior to April 24, 2002

<u>Illus. No.</u>	<u>Part No.</u>	<u>Qty.</u>	<u>Description</u>
1	142602	3	1" Union
2	142745	1	1" x 15" Nipple
3	331793	1	Left Sprinkler Bracket
4	150522	3	1/4-20 x 1/2" Hex Head TEK Screw
5	154350	1	1" Pipe U-Bolt
6	142590	1	1" x 45° Elbow
7	142589	3	1" x 10" Nipple
8	142584	1	1" x 4-1/2" Nipple
9	142548	2	1" x 90° Elbow
10	142598	1	1" x 17" Nipple
11	150522	3	1/4-20 x 1/2" Hex Head TEK Screw
12	154350	1	1" Pipe U-Bolt
13	331792	1	Right Sprinkler Bracket
14	142548	1	1" x 90° Elbow
15	142588	1	1" x 23-1/4" Nipple
16	142602	1	1" Union
17	142581	2	1" x 5" Nipple
18	142590	2	1" x 45° Elbow
19	331793	1	Left Sprinkler Bracket
20	154350	2	1" Pipe U-Bolt
21	150522	3	1/4-20 x 1/2" Hex Head TEK Screw
22	142608	1	1" x 74" Nipple
23	331792	1	Right Sprinkler Bracket
24	150522	3	1/4-20 x 1/2" Hex Head TEK Screw
25	142591	1	1" End Cap
26	142585	1	1" x 18" Nipple
27	142548	1	1" x 90° Elbow
28	142593	1	1" x 7" Nipple
29	142602	1	1" Union

For Models Mfd. prior to April 24, 2002



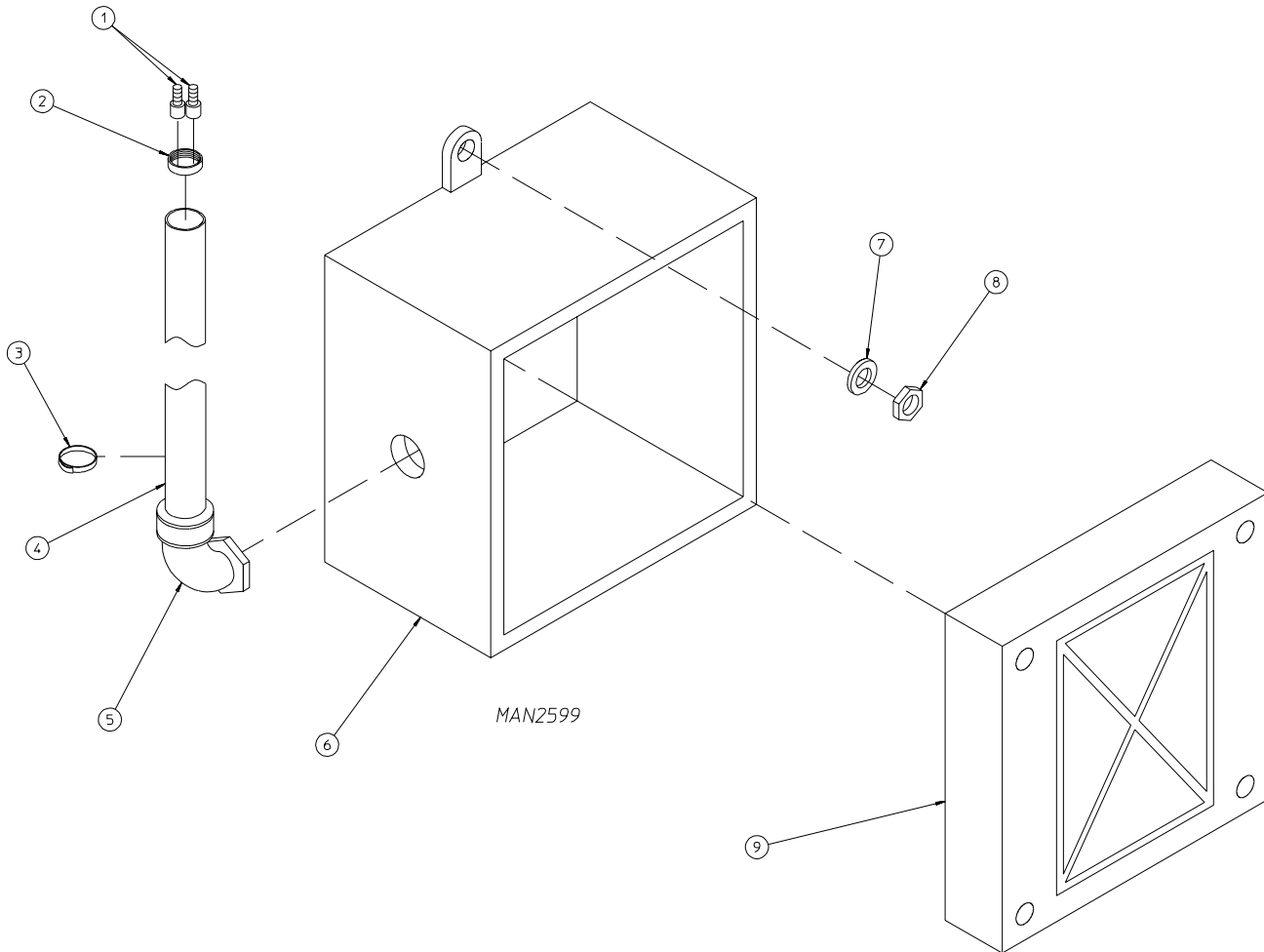
DMG 9/27/01

MAN5954

For Models Mfd. prior to April 24, 2002

<u>Illus. No.</u>	<u>Part No.</u>	<u>Qty.</u>	<u>Description</u>
1	142744	1	1" x 12" Long Pipe
2	154350	3	1" Pipe U-Bolt
3	142584	2	1" x 4-1/2" Long Nipple
4	150511	4	1/4-20 x 1" Bolt
5	153007	8	1/4" Lock Washer
6	152002	8	1/4-20 Hex Nut
7	143556	2	1" Ball Valve
8	142808	2	1" x 3" Long Nipple
9	100565	1	Air-Operated Sprinkler Valve
10	143277	1	1/4" x 1/8" M.P.T. 90° Brass Elbow
11	142548	6	1" x 90° Elbow
12	142746	1	1" x 24" Long Nipple
13	346535	2	Sprinkler Pipe Mounting Bracket
14	143136	2	1" Steel Air Hose Nipple
15	143137	2	13/16-1 x 3/4" Hose Clamp
16	143135	1	4' Super Flex Hose
17	142587	1	1" x 27-1/2" Long Nipple
18	331419	1	Top Sprinkler Pipe Bracket
19	142711	3	1" Close Nipple
20	142579	2	1" x 6" Nipple
21	142602	2	1" Bi Union
22	142508	2	1" Tee
23	142589	1	1" x 10" Bi Nipple
24	142581	1	1" x 5" Bi Nipple

For Models Mfd. prior to April 24, 2002



<u>Illus. No.</u>	<u>Part No.</u>	<u>Qty.</u>	<u>Description</u>
1	122736	6	#18 AWG Yellow Ferrule
2	121400	2	7/8" Universal Bushing
3	121495	2	4" Identification Wire Tie
4	133380	16	18 AWG Cable (sold by the foot)
5	120650	1	90° Cord Grip
6	128956	1	Alarm Horn Box
7	153007	2	1/4" Lock Washer
8	152002	2	1/4-20 Hex Nut
9	128955	1	Alarm Horn - 120 VAC

REVERSING CONTACTOR PANEL ASSEMBLY CHART													
GAS MACHINE													
PSF REF #	VOLTAGE	QTY	AUX CONTACT	TUMBLER BREAKER CB2 AND CB3	CB2 AND CB3 CURRENT SETTING (AMPS)	CONTACTOR	BREAKER CB5	BREAKER CB8	BREAKER CB5	BREAKER CB8	BREAKER CB5	BREAKER CB8	CB5 & CB8 CURRENT SETTING (AMPS)
			(4)	(5)		(7)	(9)	(8)	(9)	(8)	(9)	(8)	(8)
856130	190	1	132389	131969	22	132423	135506	135506	135506	135506	135506	135506	N/A
856131	208	1	132389	131969	25	132423	135506	135506	135506	135506	135506	135506	N/A
856132	220	1	132384	131957	27	132423	135506	135506	135506	135506	135506	135506	N/A
856133	230	1	132389	131969	25	132423	135506	135506	135506	135506	135506	135506	N/A
856134	240	1	132389	131969	25	132423	135506	135506	135506	135506	135506	135506	N/A
856135	380	1	132389	131970	12	132424	---	---	---	---	135514	135514	N/A
856136	400	1	132389	131970	11	132424	135506	---	---	---	---	135514	N/A
856137	416	1	132389	131970	13	132424	---	---	---	---	---	135514	N/A
856138	460	1	132389	131970	11	132424	---	---	---	---	---	135514	N/A
856139	480	1	132389	131970	11	132424	---	---	---	---	---	135514	N/A
TBD	575	TBD	TBD	TBD	TBD	TBD	---	---	135509	---	---	---	1.5
STEAM MACHINE													
PSF REF #	VOLTAGE	QTY	AUX CONTACT	TUMBLER BREAKER CB2 AND CB3	CB2 AND CB3 CURRENT SETTING (AMPS)	CONTACTOR	BREAKER CB5	BREAKER CB8	BREAKER CB5	BREAKER CB8	BREAKER CB5	BREAKER CB8	CB5 & CB8 CURRENT SETTING (AMPS)
			(4)	(5)		(7)	(9)	(8)	(9)	(8)	(9)	(8)	(8)
856140	190	1	132389	131969	22	132423	135506	135506	135506	135506	135506	135506	N/A
856141	208	1	132389	131969	25	132423	135506	135506	135506	135506	135506	135506	N/A
856142	220	1	132384	131957	27	132423	135506	135506	135506	135506	135506	135506	N/A
856143	230	1	132389	131969	25	132423	135506	135506	135506	135506	135506	135506	N/A
856144	240	1	132389	131969	25	132423	135506	135506	135506	135506	135506	135506	N/A
856145	380	1	132389	131970	12	132424	135506	---	---	---	---	135514	N/A
856146	400	1	132389	131970	11	132424	135506	---	---	---	---	135514	N/A
856147	416	1	132389	131970	13	132424	135506	---	---	---	---	135514	N/A
856148	460	1	132389	131970	11	132424	135506	---	---	---	---	135514	N/A
856149	480	1	132389	131970	11	132424	135506	---	---	---	---	135514	N/A
TBD	575	TBD	TBD	TBD	TBD	TBD	---	---	135509	---	---	---	1.5

MAN6148

DMG 3/5/03

FRONT RIGHT CONTROL PANEL ASSEMBLY CHART			
MACHINE TYPE	SUB NEEDED	MACHINE TYPE	SUB NEEDED
1 MANUAL DOOR, NON TILT	856042	1 MANUAL DOOR, NON TILT WITH SPRINKLER	856041
1 MANUAL DOOR, FORWARD TILT	856040	1 MANUAL DOOR, FORWARD TILT WITH SPRINKLER	856039
1 MANUAL DOOR, REAR TILT	856040	1 MANUAL DOOR, REAR TILT WITH SPRINKLER	856039
1 MANUAL DOOR, 2 WAY TILT	856040	1 MANUAL DOOR, 2 WAY TILT WITH SPRINKLER	856039
2 MANUAL DOOR, NON TILT	856044	2 MANUAL DOOR, NON TILT WITH SPRINKLER	856043
2 MANUAL DOOR, FORWARD TILT	856040	2 MANUAL DOOR, FORWARD TILT WITH SPRINKLER	856039
2 MANUAL DOOR, REAR TILT	856040	2 MANUAL DOOR, REAR TILT WITH SPRINKLER	856039
2 MANUAL DOOR, 2 WAY TILT	856040	2 MANUAL DOOR, 2 WAY TILT WITH SPRINKLER	856039
1 AUTO DOOR, NON TILT	856038	1 AUTO DOOR, NON TILT WITH SPRINKLER	856037
1 AUTO DOOR, FORWARD TILT	856036	1 AUTO DOOR, FORWARD TILT WITH SPRINKLER	856035
1 AUTO DOOR, REAR TILT	856036	1 AUTO DOOR, REAR TILT WITH SPRINKLER	856035
1 AUTO DOOR, 2 WAY TILT	856036	1 AUTO DOOR, 2 WAY TILT WITH SPRINKLER	856035
2 AUTO DOOR, NON TILT	856038	2 AUTO DOOR, NON TILT WITH SPRINKLER	856037
2 AUTO DOOR, FORWARD TILT	856036	2 AUTO DOOR, FORWARD TILT WITH SPRINKLER	856035
2 AUTO DOOR, REAR TILT	856036	2 AUTO DOOR, REAR TILT WITH SPRINKLER	856035
2 AUTO DOOR, 2 WAY TILT	856036	2 AUTO DOOR, 2 WAY TILT WITH SPRINKLER	856035

DMG 3/5/03

MAN5945

MAIN POWER JUNCTION PANEL ASSEMBLY CHART

GAS MACHINE		AUX CONTACTOR	FAN BREAKER (CB 1)	CB1 CURRENT SETTING (AMPS)	CONTACTOR	VARISTOR	BREAKER (CB 4)	CB4 CURRENT SETTING (AMPS)	AUX CONTACTOR	BREAKER (CB 9)	CB9 CURRENT SETTING (AMPS)	CONTACTOR	MOV
PSF REF #	VOLTAGE	(9)	(12)	(AMPS)	(3)	(19)	(15)	(AMPS)	(14)	(13)	(AMPS)	(1)	(2)
856218	190	--	TBD	TBD	TBD	--	--	40	132389	131968	5	132440	137029
856219	208	132384	131956	68	132479	132485	131957	40	132389	131968	4	132440	137029
856220	220	132384	131956	76	132479	132485	131957	40	132389	131968	4.1	132440	137029
856221	230	132384	131956	50HZ 64-60HZ 66	132479	132485	131957	40	132389	131968	4.2	132440	137029
856222	240	132384	131956	75	132479	132485	131957	40	132389	131968	4.2	132440	137029
856223	380	132384	131957	34	132481	132485	131957	40	132389	131971	2.3	132440	137029
856224	400	--	--	--	--	--	--	40	TBD	TBD	TBD	132440	137029
856225	416	132384	131957	33	132481	132485	131957	40	132389	131971	2.1	132440	137029
856226	460	132384	131957	33	132481	132485	131957	40	132389	131961	2.1	132440	137029
856227	480	132384	131957	36	132481	132485	131957	40	132389	131961	2.1	132440	137029
TBD	575	--	--	--	--	--	--	40	TBD	TBD	TBD	132440	137029

STEAM MACHINE		AUX CONTACTOR	FAN BREAKER (CB 1)	CB1 CURRENT SETTING (AMPS)	CONTACTOR	VARISTOR	BREAKER (CB 4)	CB4 CURRENT SETTING (AMPS)
PSF REF #	VOLTAGE	(9)	(12)	(AMPS)	(3)	(19)	(15)	(AMPS)
856228	190	--	TBD	TBD	TBD	--	--	40
856229	208	132384	131956	68	132479	132485	131957	40
856230	220	132384	131956	76	132479	132485	131957	40
856231	230	132384	131956	50HZ 64-60HZ 66	132479	132485	131957	40
856232	240	132384	131956	75	132479	132485	131957	40
856233	380	132384	131957	34	132481	132485	131957	40
856234	400	--	--	--	--	--	--	40
856235	416	132384	131957	33	132481	132485	131957	40
856236	460	132384	131957	33	132481	132485	131957	40
856237	480	132384	131957	36	132481	132485	131957	40
TBD	575	--	--	--	--	--	--	40

DMG 3/12/03

MAN6146

REAR RIGHT CONTROL PANEL ASSEMBLY CHART	
MACHINE TYPE	SUB NEEDED
2 MANUAL DOOR, NON TILT	856053
2 MANUAL DOOR, FORWARD TILT	856052
2 MANUAL DOOR, REAR TILT	856052
2 MANUAL DOOR, 2 WAY TILT	856052
2 AUTO DOOR, NON TILT	856051
2 AUTO DOOR, FORWARD TILT	856050
2 AUTO DOOR, REAR TILT	856050
2 AUTO DOOR, 2 WAY TILT	856050

MAN6563

DMG 3/12/03

